



For top performance and sustainability

MASTER Glass LED bulbs

Featuring a classic heritage design, these filament MASTER glass bulbs combine the familiar shapes of incandescent glass LED bulbs with the benefits of long-lasting LED technology. Ideal for creating a cozy atmosphere for customers, these glass LED bulbs provide excellent quality of light. MASTER glass bulbs can be dimmed for different lumen levels and color temperatures (dimmable glass led bulbs). They also deliver significant energy savings, using 30% less energy compared to normal LED bulbs. By offering a lifetime of 25,000 hours, these dimmable glass LED bulbs also reduce maintenance costs.

Benefits

- Saves 30% energy compared with standard Philips LED bulbs
- Very long lifetime that reduces the need for replacements
- Easy retrofit replacement for conventional lamps

Features

- heritage design with classic shapes
- perfect fit and high-quality finish
- Very good light quality with excellent color rendering (CRI>95)
- Designed to be seen, they look good switched on or off
- Environmentally friendly: contains no mercury or other hazardous substances

Application

- Home
- Hospitality

MASTER Glass LED bulbs

Versions



LEDclassic 60W A60 E27 CL
WGD90 SRT4 1



LEDclassic 75W A60 B22 CL
WGD90 SRT4 1



LEDclassic 40W A60 B22 CL
WGD90 SRT4 1



LEDclassic 100W A60 E27 CL
WGD90 SRT4 1



LEDclassic 75W A60 E27 CL
WGD90 SRT4 1



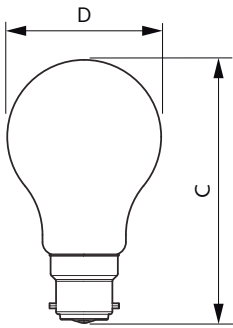
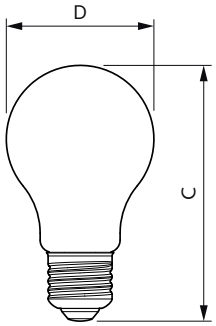
LEDclassic 60W A60 B22 CL
WGD90 SRT4 1



LEDclassic 40W A60 E27 CL
WGD90 SRT4 1

MASTER Glass LED bulbs

Dimensional drawing



Product	D	C
MAS LEDBulb DT10.5-100W E27 927A60 FR G	60 mm	108 mm
MAS LEDBulb DT3.4-40W E27 927A60CL G	60 mm	104 mm
MAS LEDBulb DT5.9-60W E27 927 A60 FR G	60 mm	104 mm
MAS LEDBulb DT7.2-75W E27 927 A60 FR G	60 mm	104 mm
MAS LEDBulb DT7.2-75W E27 927A60CL G	60 mm	104 mm
MAS LEDBulbDT10.5-100W E27 927A60CLG	60 mm	108 mm
MAS LEDBulbDT3.4 -40W E27 927 A60 FR G	60 mm	104 mm
MAS LEDBulbDT5.9-60W E27 927A60CL G	60 mm	104 mm
MAS LEDBulbDT5.9-60W E27 927A60CL G UK	60 mm	104 mm

Product	D	C
MAS LEDBulb DT5.9-60W B22 927A60CL G	60 mm	103 mm
MAS LEDBulb DT7.2-75W B22 927A60CL G	60 mm	103 mm
MAS LEDBulbDT3.4-40WB22 927A60CL G UK	60 mm	103 mm
MAS LEDBulbDT5.9-60WB22 927A60CL G UK	60 mm	103 mm

General Information	
Switching Cycle	20,000
Nominal lifetime	25,000 hour(s)
Light Technical	
Correlated Color Temperature (Nom)	2200 K
Color rendering index (CRI)	90
Color Code	922-927
LLMF At End Of Nominal Lifetime (Nom)	70 %
Operating and Electrical	
Input Frequency	50 to 60 Hz
Line Frequency	50 to 60 Hz
Starting Time (Nom)	0.5 s
Temperature	
T-Case Maximum (Nom)	70 °C
Controls and Dimming	
Dimmable	Only with specific dimmers
Mechanical and Housing	
Bulb Shape	A60

General Information

Order Code	Full Product Name	Cap-Base
929003010342	MAS LEDBulbDT5.9-60W E27 927A60CL G UK	E27
929003010382	MAS LEDBulbDT5.9-60W E27 927A60CL G	E27
929003010002	MAS LEDBulbDT3.4 -40W E27 927 A60 FR G	E27
929003010402	MAS LEDBulb DT5.9-60W E27 927 A60 FR G	E27
929003011302	MAS LEDBulb DT7.2-75W E27 927 A60 FR G	E27
929003011702	MAS LEDBulb DT10.5-100W E27 927A60 FR G	E27
929003011282	MAS LEDBulb DT7.2-75W B22 927A60CL G	B22
929003010142	MAS LEDBulbDT3.4-40WB22 927A60CL G UK	B22
929003011582	MAS LEDBulbDT10.5-100W E27 927A60CLG	E27
929003011182	MAS LEDBulb DT7.2-75W E27 927A60CL G	E27
929003010542	MAS LEDBulbDT5.9-60WB22 927A60CL G UK	B22
929003010582	MAS LEDBulb DT5.9-60W B22 927A60CL G	B22
929003009982	MAS LEDBulb DT3.4-40W E27 927A60CL G	E27

Light Technical

MASTER Glass LED bulbs

Order Code	Full Product Name	Luminous Flux
929003010342	MAS LEDBulbDT5.9-60W E27 927A60CL G UK	806 lm
929003010382	MAS LEDBulbDT5.9-60W E27 927A60CL G	806 lm
929003010002	MAS LEDBulbDT3.4-40W E27 927 A60 FR G	470 lm
929003010402	MAS LEDBulb DT5.9-60W E27 927 A60 FR G	806 lm
929003011302	MAS LEDBulb DT7.2-75W E27 927 A60 FR G	1,055 lm
929003011702	MAS LEDBulb DT10.5-100W E27 927A60 FR G	1,521 lm
929003011282	MAS LEDBulb DT7.2-75W B22 927A60CL G	1,055 lm

Order Code	Full Product Name	Luminous Flux
929003010142	MAS LEDBulbDT3.4-40WB22 927A60CL G UK	470 lm
929003011582	MAS LEDBulbDT10.5-100W E27 927A60CLG	1,521 lm
929003011182	MAS LEDBulb DT7.2-75W E27 927A60CL G	1,055 lm
929003010542	MAS LEDBulbDT5.9-60WB22 927A60CL G UK	806 lm
929003010582	MAS LEDBulb DT5.9-60W B22 927A60CL G	806 lm
929003009982	MAS LEDBulb DT3.4-40W E27 927A60CL G	470 lm

Operating and Electrical

Order Code	Full Product Name	Power Consumption	Wattage Equivalent
929003010342	MAS LEDBulbDT5.9-60W E27 927A60CL G UK	5.9 W	60 W
929003010382	MAS LEDBulbDT5.9-60W E27 927A60CL G	5.9 W	60 W
929003010002	MAS LEDBulbDT3.4-40W E27 927 A60 FR G	3.4 W	40 W
929003010402	MAS LEDBulb DT5.9-60W E27 927 A60 FR G	5.9 W	60 W
929003011302	MAS LEDBulb DT7.2-75W E27 927 A60 FR G	7.2 W	75 W
929003011702	MAS LEDBulb DT10.5-100W E27 927A60 FR G	10.5 W	100 W
929003011282	MAS LEDBulb DT7.2-75W B22 927A60CL G	7.2 W	75 W

Order Code	Full Product Name	Power Consumption	Wattage Equivalent
929003010142	MAS LEDBulbDT3.4-40WB22 927A60CL G UK	3.4 W	40 W
929003011582	MAS LEDBulbDT10.5-100W E27 927A60CLG	10.5 W	100 W
929003011182	MAS LEDBulb DT7.2-75W E27 927A60CL G	7.2 W	75 W
929003010542	MAS LEDBulbDT5.9-60WB22 927A60CL G UK	5.9 W	60 W
929003010582	MAS LEDBulb DT5.9-60W B22 927A60CL G	5.9 W	60 W
929003009982	MAS LEDBulb DT3.4-40W E27 927A60CL G	3.4 W	40 W

Temperature

Order Code	Full Product Name	Ambient temperature range
929003010342	MAS LEDBulbDT5.9-60W E27 927A60CL G UK	-20 °C to 45 °C
929003010382	MAS LEDBulbDT5.9-60W E27 927A60CL G	-20 °C to 45 °C
929003010002	MAS LEDBulbDT3.4-40W E27 927 A60 FR G	-
929003010402	MAS LEDBulb DT5.9-60W E27 927 A60 FR G	-
929003011302	MAS LEDBulb DT7.2-75W E27 927 A60 FR G	-
929003011702	MAS LEDBulb DT10.5-100W E27 927A60 FR G	-

Order Code	Full Product Name	Ambient temperature range
929003011282	MAS LEDBulb DT7.2-75W B22 927A60CL G	-20 °C to 45 °C
929003010142	MAS LEDBulbDT3.4-40WB22 927A60CL G UK	-20 °C to 45 °C
929003011582	MAS LEDBulbDT10.5-100W E27 927A60CLG	-20 °C to 45 °C
929003011182	MAS LEDBulb DT7.2-75W E27 927A60CL G	-20 °C to 45 °C
929003010542	MAS LEDBulbDT5.9-60WB22 927A60CL G UK	-20 °C to 45 °C
929003010582	MAS LEDBulb DT5.9-60W B22 927A60CL G	-20 °C to 45 °C
929003009982	MAS LEDBulb DT3.4-40W E27 927A60CL G	-20 °C to 45 °C

Mechanical and Housing

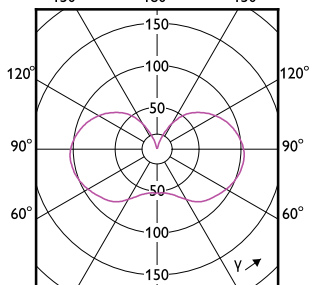
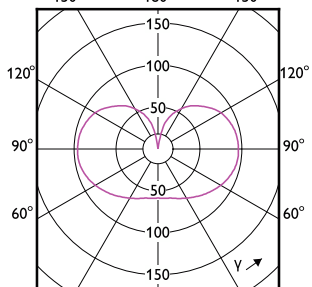
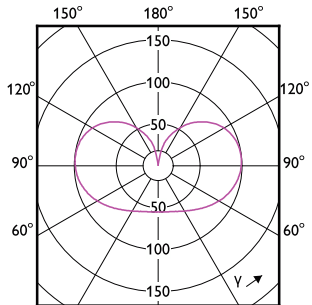
Order Code	Full Product Name	Bulb Finish
929003010342	MAS LEDBulbDT5.9-60W E27 927A60CL G UK	Clear
929003010382	MAS LEDBulbDT5.9-60W E27 927A60CL G	Clear
929003010002	MAS LEDBulbDT3.4-40W E27 927 A60 FR G	Frosted
929003010402	MAS LEDBulb DT5.9-60W E27 927 A60 FR G	Frosted
929003011302	MAS LEDBulb DT7.2-75W E27 927 A60 FR G	Frosted
929003011702	MAS LEDBulb DT10.5-100W E27 927A60 FR G	Frosted
929003011282	MAS LEDBulb DT7.2-75W B22 927A60CL G	Clear

Order Code	Full Product Name	Bulb Finish
929003010142	MAS LEDBulbDT3.4-40WB22 927A60CL G UK	Clear
929003011582	MAS LEDBulbDT10.5-100W E27 927A60CLG	Clear
929003011182	MAS LEDBulb DT7.2-75W E27 927A60CL G	Clear
929003010542	MAS LEDBulbDT5.9-60WB22 927A60CL G UK	Clear
929003010582	MAS LEDBulb DT5.9-60W B22 927A60CL G	Clear
929003009982	MAS LEDBulb DT3.4-40W E27 927A60CL G	Clear

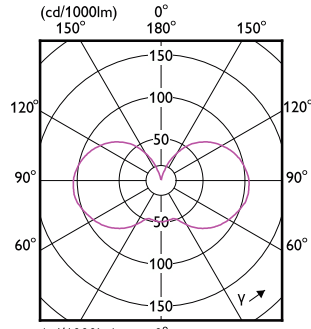
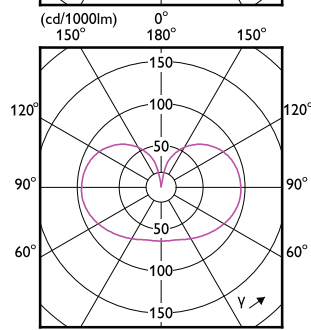
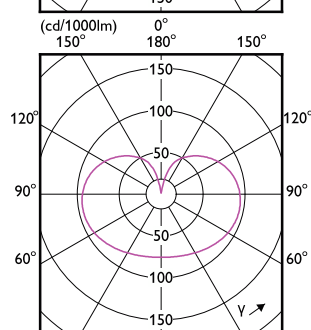
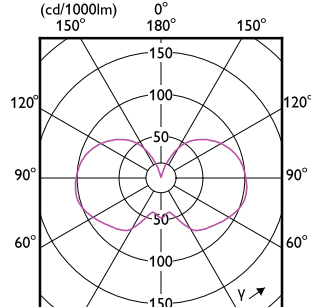
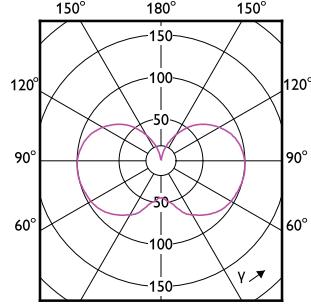
MASTER Glass LED bulbs

Approval and Application

Order Code	Full Product Name	Energy Consumption kWh/1000 h
929003010342	MAS LEDBulbDT5.9-60W E27 927A60CL G UK	6 kWh
929003010382	MAS LEDBulbDT5.9-60W E27 927A60CL G	6 kWh
929003010002	MAS LEDBulbDT3.4 -40W E27 927 A60 FR G	4 kWh
929003010402	MAS LEDBulb DT5.9-60W E27 927 A60 FR G	6 kWh
929003011302	MAS LEDBulb DT7.2-75W E27 927 A60 FR G	8 kWh
929003011702	MAS LEDBulb DT10.5-100W E27 927A60 FR G	11 kWh
929003011282	MAS LEDBulb DT7.2-75W B22 927A60CL G	8 kWh
929003010142	MAS LEDBulbDT3.4-40WB22 927A60CL G UK	4 kWh
929003011582	MAS LEDBulbDT10.5-100W E27 927A60CLG	11 kWh
929003011182	MAS LEDBulb DT7.2-75W E27 927A60CL G	8 kWh
929003010542	MAS LEDBulbDT5.9-60WB22 927A60CL G UK	6 kWh
929003010582	MAS LEDBulb DT5.9-60W B22 927A60CL G	6 kWh
929003009982	MAS LEDBulb DT3.4-40W E27 927A60CL G	4 kWh



(cd/1000lm) 0°



(cd/1000lm) 0°

MASTER Glass LED bulbs

