



MASTER VALUE LEDs pot LV

MASTER LED 4.9-50W 2700K MR16 36D

Philips MASTER VALUE MR16 is the series of Low Voltage (12VAC) Halogen MR16 replacements. Not only does it employ Philips' patented solution to guarantee the broadest possible compatibility with standard 12V Halogen electronic transformers. It also delivers beam intensity which is equivalent to the 50W Philips Halogen MR16 lamps. The form-factor of Philips MASTER Value LED MR16 guarantees a 100% form on the back-side of the lamp (exact form with Halogen lamps.)

Warnings and Safety

- Operating temperature range is between -20° C and 45° C ambient
- Only to apply in dry or damp locations and most of open fixtures with lamp-holders that offer sufficient space (10 mm free air space)
- Not intended for use with emergency light fixtures or exit lights

Product data

General Information	
Cap-Base	GU5.3
Nominal lifetime	25,000 hour(s)
Switching Cycle	50,000
Lighting Technology	LED
EU RoHS compliant	Yes

Light Technical	
Color Code	927 [CCT of 2700K]
Beam Angle (Nom)	36 degree(s)
Luminous Flux	415 lm
Luminous Intensity (Nom)	900 cd
Color Designation	Warm White (WW)

Correlated Color Temperature (Nom)	2700 K
Luminous Efficacy (rated) (Nom)	84 lm/W
Color Consistency	<6
Color rendering index (CRI)	90
LLMF At End Of Nominal Lifetime (Nom)	70 %
Photobiological safety according to EN 62471	RG1

Operating and Electrical	
Input Frequency	- Hz
Power Consumption	4.9 W
Lamp Current (Nom)	484 mA
Wattage Equivalent	50 W
Starting Time (Nom)	0.5 s

MASTER VALUE LEDspot LV

Warm-up time to 60% light	0.5 s
Power Factor (Fraction)	0.7
Voltage (Nom)	ac electronic 12 V

Temperature

Ambient temperature range	-20 to +45 °C
T-Case Maximum (Nom)	72 °C

Controls and Dimming

Dimmable	No
----------	----

Mechanical and Housing

Bulb Finish	Clear
Bulb Material	Metal
Bulb Shape	MR16

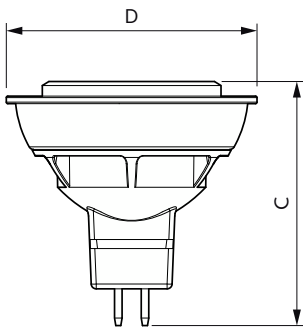
Approval and Application

Suitable For Accent Lighting	Yes
------------------------------	-----

Product Data

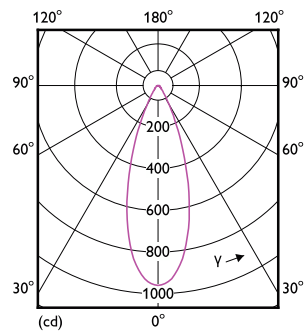
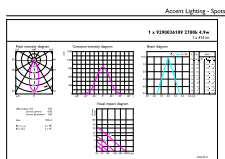
Order product name	MASTER LED 4.9-50W 2700K MR16 36D
Full product name	MASTER LED 4.9-50W 2700K MR16 36D
Full product code	872016917460300
Order code	929003610908
Material Nr. (12NC)	929003610908
Numerator - Quantity Per Pack	1
EAN/UPC - Product/Case	8720169174603
Numerator - Packs per outer box	10
EAN/UPC - Case	8720169174610

Dimensional drawing



Product	D	C
MASTER LED 4.9-50W 2700K MR16 36D	50.5 mm	50 mm

Photometric data

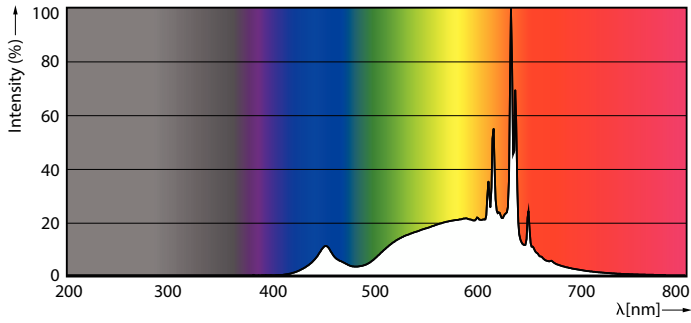


Accent Lighting Spots - MASTER LED 4.9-50W 2700K MR16 36D

Light Distribution Diagram - MASTER LED 4.9-50W 2700K MR16 36D

MASTER VALUE LEDspot LV

Photometric data



Spectral Power Distribution Colour - MASTER LED 4.9-50W 2700K MR16 36D

Lifetime



Life Expectancy Diagram - MASTER LED 4.9-50W 2700K MR16 36D



Lumen Maintenance Diagram - MASTER LED 4.9-50W 2700K MR16 36D

