

DIVE SUPPLY



Equipment Price List 2015

www.divesupply.com

DIVE SUPPLY



Index

SERVICE, RENTAL & CUSTOM CHARGES

Service & Rental Charges	4
Custom Prints & Embroidery	6

DIVING & SNORKELLING EQUIPMENT

Dive School / Rental Equipment: Complete Sets + Regulator Sets + BCDs	8
BCDs	9-10
Scubapro X-TEK	10
Regulators	11
Instruments: Consoles + Gauges + Compasses	12-13
Dive Computers: SUUNTO + Scubapro + Subgear	13-14
Masks + Snorkels + Snorkelling Sets	14-17
Fins	17-19
Boots + Gloves	19
Wetsuits + Lycra + Rashguards	20-22
Life Vests + First Aid Equipment + Oxygen Kits + CPR Manikins	22
Slates + Marine Guides + Fish ID Cards	22
Pelican Cases + Dry Bags + Log Books + Log Binders + Log Inserts	22-24
Gear Bags + Lift Bags	24
Cameras + Lights/Torches + Knives	24-26
Signalling Devices + Surface Markers + Mouthpieces + Straps & Buckles	26-29
Mask & Snorkel Parts + Clips & Hooks + Retractors + Reels	29-30
BCD Parts + Weight Belts + Weights	30-31
Liquids & Cleaning Solutions	31
Tools + Workshop Needs	31-32
Suunto Spare Parts + Regulator Service Kits	32-34

APNEA / FREE DIVING

Fins + Masks + Snorkels + Dive Computers	35
Accessories + Surface Markers + Weightbelts	36

TANKS & VALVES including PARTS, ACCESSORIES

Tanks + Valves	37
Valve Spare Parts + Nitrox Equipment	37
Hoses + O-Rings + XS-SCUBA Valve Parts	38
Valve Parts: Detailed View THERMO + SMT + SHERWOOD	40

COMPRESSORS including PARTS, ACCESSORIES

Portable Models: Bauer Junior + Capitano + Mariner + Poseidon	41
B-Kool + Aero-Guard + B-Safe	42
Stationary Models: Mini Verticus + Verticus + Poseidon	43-44
Parts + Purification Systems	44-45
Filling Valves + Filling Hoses + Storage Banks	46
Nitrox Solutions: Screw Compressors + Membrane Modules	46

Service & Rental Charges

CODE #	DESCRIPTION	TRADE incl. VAT	RETAIL incl. VAT
REGULATOR SERVICE			
1020	Regulator 1st Stage	300	600
1021	Regulator 2nd Stage / Octopus	250	500
1022	Regulator full set service (1st Stage, 2nd Stage, Octopus)	700	1,400
1040	Inflator Service	190	380
1050	Scubapro Air2	300	600
1060	Pressure Gauge (incl. new O-Rings)	125	250
1025	Regulator First Stage O2 cleaning/Nitrox Conversion	750	1,500

COMPUTER SERVICE

Battery Replacement & Service fee does not include parts or batteries

1000	Battery Replacement & Service Suunto D-series, Spyder/Stinger	900	1,800
1010	Battery Replacement & Service - all other Suunto Computers	300	600
1001	Battery Replacement & Service - all watches	600	1,200
1002	Battery Replacement & Service - Scubapro Xtender	700	1,400
1003	Battery Repl. & Service - AladinPro/Sport/Ultra/SmartPro/SmartCom/Z/AladinAir/Air Z family	1,200	2,400
1010	Battery Replacement & Service - Aladin One, Prime, Tec, Tec 2G, Galileo family	300	600
All Battery changes include pressure test			

CYLINDER & VALVE SERVICE

1100	Tank Valve removal/replacement (incl. new O-Rings)	100	200
1110	Tank Visual Inspection	100	200
1111	Tank internal cleaning 1 hour	100	200
1117	Tank Valve Service	125	250
1112	Hydrostatic Test (incl. free visual inspection)	300	600
1113	Full Tank Service include all the above + tank air fill (1-9, per tank)	450	900
1113	Full Tank Service include all the above + tank air fill (10+, per tank)	NEW 399	900
1114	Tank - external sand blasting	900	1,800
1115	Tank - repainting	975	1,950
1116	Tank Neck cutting	330	660
1118	Tank Non Destructive Test NDT	75	150
1095	Tank O2 cleaning for Nitrox use	200	400
1096	Valve O2 cleaning for Nitrox use	100	200

AIRBANK OXYGEN CYLINDER TESTING

1081	Hydrostatic Test	1,600	xxx
1091	Tank internal cleaning	900	xxx
1101	Tank Visual Inspection	400	xxx

COMPRESSORS

1149	L&W 225/245 Annual Service charges (normal condition)	6,000	12,000
1149-1	L&W 225/245 Annual Service charges (if very rusty)	7,000	14,000
1150	Bauer Junior, Utilus, Capitano, Oceanus, Mariner 2 incl. Paint	6,000	12,000
1151	Bauer Junior, Utilus, Capitano, Oceanus, Mariner 2 incl. Paint and if very rusty	7,000	14,000
1152	Bauer Mini Verticus, Kap 14, Verticus, Mariner III	8,500	17,000
1152-1	Bauer Mini Verticus, Kap 14, Verticus, Mariner III incl. Paint and if very rusty	9,500	19,000
1600	Compressor Air Test + Certification for pure air	2,900	5,800
1500	Service charge per hour (minimum charge 300 Baht)	600	1,200

Mobilization Fee for our technician

1210	Khao Lak	1,000	xxx
1220	Krabi	2,000	xxx
1230	Phi Phi	2,000	xxx
1240	Koh Lanta	3,000	xxx
1245	Koh Samui	5,500	xxx
1250	Koh Tao / Koh Phangan	7,000	xxx
1260	Bangkok	10,000	xxx
1270	Pattaya / Koh Chang	12,000	xxx

Mobilization fee does not include hourly service charge or accommodation.

Where deemed necessary by our technician, accommodation must be provided at customer's expense

Service Charges do not include parts

Service & Rental Charges

CODE #	DESCRIPTION	TRADE incl. VAT	RETAIL incl. VAT
FILLING CHARGES			
1123	Tank Filling per Tank Air	50	100
1124	Oxygen fill, per 3L tank	NEW 200	400
RENTAL CHARGES			
1121	Tank Luxfer S80 - Air	100	200
1121	Tank Luxfer S19 - Air	NEW 100	200
1121	Tank Luxfer S19 - Oxygen	NEW 250	500
1125	DPV Underwater Vehicle (Scooter)	800	1,600
1125	Compressor per day - minimum 3 days; deposit required	2,350	4,700
1125	Bailout System (including S30 Tank & Regulator)	NEW 500	850

All Rental Charges must be paid at pick-up

TECHNICIAN TRAINING



Dive Supply offers SCUBAPRO Technical Training at Dive Supply Phuket Head office regularly throughout the year. (Please visit www.divesupply.com for scheduled course dates)

SCUBAPRO Technician Level 1 for beginners/instructors - duration 1.5 days
Content: Non-Balanced systems - MK2/R295, R095, R195, R395, BPI.

The program covers theory & mechanical operation of Scubapro dive equipment, including related dive physics, repair, test, service skills & procedures.

Prerequisite: Dive Master, Dive Instructor or Service Technician

Language: English

Location of Training: Dive Supply Phuket, Chalong

Duration: 1.5 Days 9:30 - 18:00 & 9:30 - 13:00

Certificate: Upon successful completion of the program, participants will receive a certificate from SCUBAPRO authorizing them to provide technical servicing on SCUBAPRO rental equipment covered during the training (MK2/R295) under the supervision of a SCUBAPRO authorized dealer.

Seminar Fee for each participant: 5,000 Baht

Please contact: Service@divesupply.com or your local Dive Supply Branch to reserve a space on our next SCUBAPRO Technical's course

Custom Prints & Embroidery

CODE #	DESCRIPTION	TRADE incl. VAT
WETSUIT PRINTS		
1141	Block for one color printing (only payable first time)	535
1141	Block per extra color	535
1139	Logo Print (one color)	75
1139	Logo Print (more than 1 color; per extra color)	30
1139	"Size" Print (one color)	45
1139	"Number" Print (one color)	45

LOG BINDER STITCHING		
	Logo Stitching (per binder)	50 - 100: 54
	FREE embroidery for orders of 100+	Over 100: 0
Note:	Detailed embroidery or multiple colors may attract additional factory charges (Minimum order 50 binders)	

GEAR BAG PRINT (DB8010 / DB8020)		
Print only available in one color		
1141	Block for one color printing (only payable first time)	535
1141	Block per extra color	535
1139	Logo Print (one color)	75
1139	Logo Print (more than 1 color; per extra color)	40
1139	"Number" Print (one color)	45

DRY BAG CUSTOM PRINT (5L, 10L & 15L bags only)		
Print available in MULTIPLE colors		
1141	Block for one color printing (only payable first time)	535
1141	Block per extra color	535
1139	Logo Print (one color, per bag):	1 - 100: 30 Over 100: 20
1139	Logo Print (more than 1 color; per extra color, per bag):	1 - 100: 30 Over 100: 20
	Max. Print size:	5L 12cm(W) x 14cm(H) 10L 12cm(W) x 18cm(H) 15L 15cm(W) x 18cm(H)
	Lead time: 2-3 weeks	
Note:	NO MINIMUM ORDER - order 1 custom printed bag if you like	

WATERPROOF POUCH 38 x 30CM PRINT		
1141	Block for one color printing (only payable first time)	535
1141	Block per extra color	535
1139	Logo Print (one color)	75
1139	Logo Print (more than 1 color; per extra color)	40

MASK STRAP PRINT		
1141	Block for one color printing (only payable first time)	535
1139	Logo Print (one color)	12
1139	Logo Print (more than 1 color; per extra color)	12
	Order 100+ units & receive two-color printing free of charge	0

Other products on request

Color Codes

B = Blue, BL = Blue Lagoon
G = Green
K = Black, KO = Black Orange
Pi = Pink
T = Teal
Y = Yellow
Li = Lime

C = Clear
Gp = Graphite
KS = Black Silicone
Pu = Purple
Ti = Titanium
W = White
Ci = Citrus

Co = Cobalt
Gy = Grey
O = Orange
R = Red
Tq = Turquoise
Si = Silver

T after any color code indicates Transparent (example BT = Blue Transparent)
F in front of any color code indicates Fluorescent (example FY = Fluorescent Yellow)

Custom Prints & Embroidery

We can print YOUR COMPANY LOGO on these items:



**WATERPROOF POUCH
(DB8044)**



**LOG BINDERS
(DB8005)**



front back
**OCEAN PACK
(DB8215-Kcus)**



**MASK STRAP
(DB6688)**



**GEAR BAG - 65 LITERS
(DB8010)
(Black, Blue & Red)**



**GEAR BAG - 90 LITERS
(DB8020)
(Black, Blue & Red)**



**MASK STRAP
COVER (DB6689)**



**SHORTY 3MM WETSUIT
(DBADS01)**



**STEAMER 3MM WETSUIT
(DBADS03)**



**SHORTY 3MM WETSUIT
(DBADS02)**

Dive School & Rental Sets



SCUBAPRO Package:

- ▶ BCD T-One (1000 Denier)
- ▶ 1st Stage MK2 Plus
- ▶ 2nd Stage (Primary & Octopus) R095
- ▶ SCUBAPRO Console 2 (DG/PG)
- ▶ Balanced Power Inflater (BPI)
- ▶ Classic downstream piston
- ▶ Chrome plated marine grade brass
- ▶ Ports: 1 HP and 4 LP
- ▶ Pre-tuned inhalation effort
- ▶ Ultralight Technopolymers



SUBGEAR Package:

- ▶ Drift (420 Denier)
- ▶ 1st Stage SG 10
- ▶ 2nd Stage (Primary & Octopus) SG 10
- ▶ SUBGEAR Console 2 (DG/PG)
- ▶ Classic downstream piston
- ▶ Chrome plated marine grade brass
- ▶ Ports: 1 HP and 4 LP
- ▶ Adjustable dive and pre-dive control
- ▶ Ultralight Technopolymers



SEAC Package:

- ▶ BCD EGO (1000 Denier)
- ▶ 1st Stage X-5P
- ▶ 2nd Stage (Primary & Octopus) X-5P
- ▶ SEAC Console 2 (DG/PG)
- ▶ Classic downstream piston
- ▶ Chrome plated marine grade brass
- ▶ Ports: 1 HP and 4 LP
- ▶ Adjustable dive and pre-dive control
- ▶ Ultralight Technopolymers



Equipment

ITEM #	DESCRIPTION	TRADE excl. VAT	TRADE incl. VAT	RETAIL incl. VAT
STANDARD SETS - SCUBAPRO				
SCUBAPRO Standard Set complete				
Scubapro BCD T One, XXS-XXL				
Regulator Set MK2 / R095, Octopus R095, Console 2 U-Line				
XRS2/1	1 - 4 Complete Sets	25,140	26,900	38,900
XRS2/5	5 - 9 Complete Sets	Price on application - Contact your nearest DIVE SUPPLY branch		
XRS2/10	10 + Complete Sets	Price on application - Contact your nearest DIVE SUPPLY branch		
SCUBAPRO Regulator Set complete				
Regulator Set MK2 / R095, Octopus R095, Console 2 U-Line				
XRS3/1	1 - 4 Complete Scubapro Regulator & Console Sets	16,729	17,900	26,500
XRS3/5	5 - 9 Complete Scubapro Regulator & Console Sets	Price on application - Contact your nearest DIVE SUPPLY branch		
XRS3/10	10 + Complete Scubapro Regulator & Console Sets	Price on application - Contact your nearest DIVE SUPPLY branch		
SCUBAPRO Standard BCD				
X21703	1 - 4 Scubapro T-One BCD, XXS-XXL	9,252	9,900	14,650
X21703/5	5 - 9 Scubapro T-One BCD, XXS-XXL	Price on application - Contact your nearest DIVE SUPPLY branch		
X21703/10	10 + Scubapro T-One BCD, XXS-XXL	Price on application - Contact your nearest DIVE SUPPLY branch		
STANDARD SETS - SUBGEAR				
SUBGEAR Standard Set complete				
Subgear BCD Drift, XS-XL or Drift II, XS-XXL				
SG10 Regulator Set & Octopus, Console 2 U-Line				
GS1/1	1 - 4 Complete Sets	19,159	20,500	30,500
GS1/5	5 - 9 Complete Sets	Price on application - Contact your nearest DIVE SUPPLY branch		
GS1/10	10 + Complete Sets	Price on application - Contact your nearest DIVE SUPPLY branch		
SUBGEAR Regulator Set complete				
SG10 Regulator Set & Octopus, Console 2 U-Line				
GSREG/1	1 - 4 Complete Subgear Regulator & Console Sets	12,617	13,500	19,900
GSREG/5	5 - 9 Complete Subgear Regulator & Console Sets	Price on application - Contact your nearest DIVE SUPPLY branch		
GSREG/10	10 + Complete Subgear Regulator & Console Sets	Price on application - Contact your nearest DIVE SUPPLY branch		
SUBGEAR Drift II BCD				
G822.119.	1 - 4 Subgear Drift II, XS-XXL	7,757	8,300	12,450
G822.119/5	5 - 9 Subgear BCD Drift II, XS-XXL	Price on application - Contact your nearest DIVE SUPPLY branch		
G822.119/10	10 + Subgear BCD Drift II, XS-XXL	Price on application - Contact your nearest DIVE SUPPLY branch		
STANDARD SETS - SEAC				
SEAC Standard Set Complete				
Seac EGO BCD, XXS-XL				
Regulator X-5P 1st & 2nd Stage, X-5 Octo, Seac Console 2				
BSET1	1 - 4 Complete Sets	20,093	21,500	31,500
BSET5	5 - 9 Complete Sets	Price on application - Contact your nearest DIVE SUPPLY branch		
BSET10	10+ Complete Sets	Price on application - Contact your nearest DIVE SUPPLY branch		
SEAC Regulator Set complete				
Regulator Seac X-5P 1st & 2nd Stage, X-5 Octo, Seac Console 2				
BREGSET	1 - 4 Complete Seac Regulator & Console Set	12,383	13,250	19,500
BREGSET	5 - 9 Complete Seac Regulator & Console Set	Price on application - Contact your nearest DIVE SUPPLY branch		
BREGSET	10 + Complete Seac Regulator & Console Set	Price on application - Contact your nearest DIVE SUPPLY branch		
SEAC Standard BCD				
B7000	1 - 4 Seac Ego BCD, XS - XL	8,318	8,900	12,990
B7000	5 - 9 Seac Ego BCD, XS - XL	Price on application - Contact your nearest DIVE SUPPLY branch		
B7000	10 + Seac Ego BCD, XS - XL	Price on application - Contact your nearest DIVE SUPPLY branch		
BCD - SCUBAPRO				
X21703	Scubapro T-One BCD, XXS-XXL	9,252	9,900	14,650
X21719	BCD - X Black 2013, S-XL (no XS)	26,178	28,010	42,010
X21717	BCD - X Force, 1000D Cordura, XS-XXL	21,767	23,290	34,935
X22.108	BCD - Classic - Black, XS-XL	20,000	21,400	32,100
X22.279	BCD - Glide Pro, XS-XL	15,239	16,305	24,455
X21.725	BCD - Equator Red, 420D Nylon, Lightweight, XS-XL	15,239	16,305	24,455
X21.724.xx0	BCD - X-One, XS-XL (incl. weight pockets)	15,239	16,305	24,455
X21.724.xx0	BCD - X-One, XS-XL (w/o weight pockets)	12,944	13,850	20,775
X22.281.xx0	BCD - Glide-X, XS-XL	17,005	18,195	27,290

Equipment

ITEM #	DESCRIPTION	TRADE excl. VAT	TRADE incl. VAT	RETAIL incl. VAT
BCD - SCUBAPRO				
X21.089.000	Air 2 Black, 4th generation	4,837	5,175	7,760
X21.089.000U	Air 2 Black, 4th generation, upgrade on BCD	2,659	2,845	4,265
X21.090.000	Air 2 Black, 5th generation - ETA Jun'15	5,103	5,460	8,190
X21.090.000U	Air 2 Black, 5th generation, upgrade on BCD	2,926	3,130	4,690
X21.600.100	Scubapro Power Inflator	3,000	3,210	4,810
X21.610.000	Scubapro Power Inflator 2015	3,295	3,525	5,285
XZ22.101.150	Cummerband Extension 2X	440	470	705

SCUBAPRO X-TEK				
X22.195.010	X-Tek PURE system -Sgl Tank Donut Wing 13kg w Single tank adapter; SS backplate	23,468	25,110	37,665
X22.179.000	X-Tek PURE Harness - SS Backplate, Backplate storage pouch & crotch strap	9,650	10,325	15,490
X22.182.000	X-Tek FORM Harness - SS Backplate, backplate storage pouch & crotch strap	13,767	14,730	22,095
X22.193.010	X-Tek Donut Wing w BPI - 13 kg	10,239	10,955	16,430
X22.183.010	X-Tek Donut Wing w BPI - 18 kg	10,828	11,585	17,375
X22.184.010	X-Tek Donut Wing w BPI - 27 kg (for twin tanks)	11,416	12,215	18,320
X22.187.010	X-Tek HS Wing Dual Bladder w BPI - 40 kg	19,057	20,390	30,585
X23.800.000	X-Tek Backplate - S. Steel	5,585	5,975	8,965
X23.801.000	X-Tek Backplate - Aluminum	4,851	5,190	7,785
X23.807.000	Soft Travel Backplate	3,477	3,720	5,580
X23.802.000	X-Tek Access -Single Tank Adapter incl. Straps	4,543	4,860	7,285
X23.803.000	X-Tek Access - Weight Pocket System w D-ring	3,332	3,565	5,345
X23.805.000	X-Tek PRO Harness Straps w/o Backplate & w/o crotch strap	5,977	6,395	9,595
X23.806.000	X-Tek FORM Harness Straps w/o Backplate & w/o crotch strap	7,977	8,535	12,800
X23.808.000	X-Tek Access - Backplate storage pack	2,594	2,775	4,160
X23.809.000	X-Tek Access - Shoulder Pads - Pair	982	1,050	1,570
X23.817.000	X-Tek Buoy Pocket for HS Wing	804	860	1,290
X23.818.000	X-Tek Crotch Strap 50mm	776	830	1,245
X23.812.000	X-Tek Counter Weight Pockets 1kg - Pair	888	950	1,425
X21.726.200	Sidemount Wing 12L	9,010	9,640	14,460
X21.726.400	Sidemount Wing 20L	9,599	10,270	15,405
X21.726.001	Sidemount Harness Backpad System	10,187	10,900	16,345
X21.726.117	Sidemount Wing cover	1,155	1,235	1,850
X23.820.040	Rigging kit for 40cf cylinder	1,655	1,770	2,650
X23.820.080	Rigging kit for 80cf cylinder	1,655	1,770	2,650

BCD - SUBGEAR				
G822.118.	Subgear BCD Drift I, XS-XL	7,921	8,475	12,710
G822.119.	Subgear BCD Drift II, XS-XXL	7,757	8,300	12,450
G821.222.010	Kids BCD Rebel, Black/Yellow (S & M Size Cummerbunds included)	9,552	10,220	15,325
G821.590.300	Cummerbund REBEL for Size M (Age 10 - 12)	725	775	1,165
G801.311.025	Subgear LP Inflator Hose	940	1,005	1,505
G821.601.100	Subgear Inflator w/o Hose	1,099	1,175	1,760

BCD - SEAC				
B7000	Ego, XXXS - XL	8,318	8,900	12,990
B0420001	Sherpa Pro BCD, S - XL	17,201	18,405	27,610
B18003	Pro 2000 HD incl. weight pockets, S - XL	17,033	18,225	27,335
B18002	Femme BCD, Pink, XS - L	16,057	17,180	25,765
B-TRIP	TRIP BCD, S - XL	14,346	15,350	23,020
B-SMART	SMART BCD, S - XL	11,472	12,275	18,410
B764	Weight Pocket SWS for 4kg (1 piece)	711	760	1,140
B765	Weight Pocket SWS for 6kg (1 piece)	762	815	1,220
B769	Rear Weight Holder for Seac Sub BCDs (1 piece)	463	495	745
B784	Icaro quick release weights pocket (1 piece)	1,865	1,995	2,995

Equipment

ITEM #	DESCRIPTION		TRADE excl. VAT	TRADE incl. VAT	RETAIL incl. VAT
REGULATOR - SCUBAPRO					
Regulator Sets - Sold as Sets Only					
X12.096.000	Regulator Set MK2 Evo / R095		7,585	8,115	12,170
X12.780.040	Regulator Set MK25T/S600T, Titanium		47,972	51,330	76,990
X12.780.400	Regulator Set MK25T Evo/S600T, Titanium ETA Mar'16	NEW	47,972	51,330	76,990
X12.971.080	Regulator Set MK25/S600 Black Tech		22,416	23,985	35,975
X12.950.060	Regulator Set MK25/S600 DEEP BLUE Ti core	NEW	28,047	30,010	45,015
X12.770.700	Regulator Set MK25 Evo/A700 Carbon Black Tech - ETA Mar'16	NEW	30,701	32,850	49,275
OTHER REGULATOR SETS - COMBINE ANY 1ST & 2ND STAGE BELOW:					
First Stages					
X10.060.010	MK2 Plus Polished		3,814	4,080	6,115
X10.060.030	MK2 Plus DIN Polished		4,024	4,305	6,460
X10.063.000	MK2 Evo	NEW	4,080	4,365	6,545
X10.063.300	MK2 Evo DIN	NEW	4,342	4,645	6,970
X10.708.000	MK11 Polished L		5,407	5,785	8,675
X10.708.300	MK11 DIN Polished L		5,673	6,070	9,100
X10.714.000	MK17 Polished		7,000	7,490	11,235
X10.714.300	MK17 DIN Polished		7,374	7,890	11,830
X10.721.000	Mk 21		7,000	7,490	11,235
X10.721.300	Mk 21 DIN		7,533	8,060	12,085
X10.713.300	MK25 DIN Polished		8,753	9,365	14,050
X10.713.010	MK25 Evo ETA Jun'15	NEW	8,860	9,480	14,220
X10.713.030	MK25 Evo DIN ETA Jun'15	NEW	9,127	9,765	14,645
Second Stages					
X11.330.500/600	R095		3,547	3,795	5,690
X11.330.200/400	R095 Octopus w/39" Hose		3,809	4,075	6,110
X11.331.000	R195		4,874	5,215	7,825
X11.331.200	R195 Octopus w/39" Hose		5,141	5,500	8,250
X11.263.000	G260 Second Stage		8,594	9,195	13,790
X11.263.080	G260 Tactical		11,781	12,605	18,910
X11.560.000	S560		7,000	7,490	11,235
X11.363.000	S360		5,407	5,785	8,675
X11.363.200	S360 Octopus		6,201	6,635	9,955
X11.603.000	S600		9,655	10,330	15,495
X11.700.000	A700		11,781	12,605	18,910
Accessories					
X10.045.030	DIN Conversion Kit Universal		1,272	1,360	2,035
X41.300.020	Adjustable Kit MK 25		860	920	1,375
X41.300.010	Adjustable Kit MK 25T / TA		1,856	1,985	2,980
X11.602....P	Purge Cover (N) - B, R, P, W, Y		328	350	525
XZ01.097.134	Octopus retainer "Scubapro"		211	225	450
REGULATOR - SUBGEAR					
G812.923.000	SG10 Regulator Set; 1st & 2nd Stage		5,870	6,280	9,420
G811.360.200	SG10 Octopus		3,005	3,215	4,820
G812.918.000	SG 50 Regulator Set; 1st & 2nd Stage	NEW	10,949	11,715	17,575
G812.399.000	SG 30 Regulator Set; 1st & 2nd Stage	NEW	7,482	8,005	12,010
G801.040.123	Junior Mouthpiece (for Kids Regulator Sets)		178	190	375
G801.309.028	LP Hose 55 cm (for Kids regulator Sets)		1,743	1,865	2,795
REGULATOR - SEAC					
B8400	P-Synchro Regulator Set (1st & 2nd Stage) 230 Bar, INT	NEW	5,015	5,365	8,045
B8450	Synchro Octopus	NEW	2,374	2,540	3,810
B7002-2I	X-5P Regulator Set		5,015	5,365	8,045
B7001-O	X-5 Octopus		2,374	2,540	3,810
B5500016	Regulator DX200 230 Bar INT		13,015	13,925	20,885
B5500030	X100 Octopus		4,547	4,865	7,295
B5520003	X100 Octopus 2nd Stage (w/o hose)		3,851	4,120	6,180

Equipment

ITEM #	DESCRIPTION	TRADE excl. VAT	TRADE incl. VAT	RETAIL incl. VAT
INSTRUMENTS - SCUBAPRO				
X05.023.210	U-Line Console 2 -DG/Scubapro PG - Metric	5,515	5,900	8,850
X05.023.353	Console 3 - DG/Scubapro PG w/FS-2 compass - Metric	7,940	8,495	12,745
X05.023.112	Scubapro Pressure Gauge Complete (w. Hose & Boot) - Bar	3,206	3,430	5,145
X05.022.012	Scubapro PG Capsule only, Bar	1,842	1,970	2,950
X05.012.011	U-Line Depth Gauge Capsule only - Bar	2,103	2,250	3,375
X28.039.302	Compact Pressure Gauge Capsule only - Bar	1,786	1,910	2,865
X28.860.005	Compact Depth Gauge - Capsule Non-magnetic - Bar	2,575	2,755	4,130
X28.075.000	Std Brass Pressure Gauge, HP 80, w Hose & Boot	3,206	3,430	5,145
X05.014.110	Digital 330 wrist mount, Metric, Celcius	5,767	6,170	9,255
X05.014.010	Digital 330 Capsule, Metric, Celcius	4,949	5,295	7,945
X05.016.001	Compass North FS-1 Capsule - Analogue	1,795	1,920	2,880
X05.017.101	Compass North FS-2 wrist mount - Analogue	2,557	2,735	4,105
X05.017.111	Compass North FS-2 w retractor mount	2,393	2,560	3,840
X05.017.121	Compass North FS-2 w retractor mount and retractor	3,622	3,875	5,810
X05.017.001	Compass North FS-2 Capsule - Analogue	2,122	2,270	3,405
X06.202.342	Wrist Strap for Compass FS-1/FS-2	800	855	1,280
X06.204.469	Wrist Strap for Compass FS-1/FS-2	NEW 823	880	1,320
X06.204.408	Console 3 Inline (Standard) - Empty (repl.06.202.300)	NEW 888	950	1,425
X06.203.621	Compact PG cover - Empty (repl.06.203.621)	NEW 594	635	955
X28.039.021	Cover for Compact Gauge	360	385	575
X28.042.101	Compact Console 2 (housing only)	594	635	955
INSTRUMENTS - SUBGEAR				
G805.812.210	Console 2 U-line - Metric	3,865	4,135	6,200
G806.203.524	U-line DG capsule - Metric	1,893	2,025	3,035
G806.203.528	U-Line PG capsule - Bar	1,608	1,720	2,580
G805.815.100	Compass C-1 for wrist strap	NEW 930	995	1,495
INSTRUMENTS - SEAC / SAEKODIVE				
B2270	Console 2 w. Pressure Gauge & Depth Gauge	5,066	5,420	8,125
B2272	Console 3 w. Pressure Gauge, Depth Gauge & Compass	Reduced 5,963	6,380	8,940
B2250	Compact Pressure Gauge 300 bar	2,879	3,080	4,620
BS224001	Pressure Gauge Capsule for B2270	2,229	2,385	3,575
BS228001	Depth Gauge Capsule (large dia. 2.5 inch)	2,197	2,350	3,525
BS226001	Depth Gauge Capsule for B2250 & B2270 (dia 2 inch/5cm)	NEW 3,253	3,480	5,215
SAP-0018	Miniature SPG (Pony Gauge) CE	832	890	1,335
PRESSURE & DEPTH GAUGES - SUUNTO				
FSS005240200	CB-One SM-36 Pressure Gauge 300 Bar	3,814	4,080	6,120
FSS005249220	CB-Two in Line/300/70 Combo	5,762	6,165	9,245
FSS05040M010	SM-16/45 Depth Module / round	2,622	2,805	4,205
FSS05040M020	SM-16/70 Depth Module / round	2,622	2,805	4,205
FSS05108M200	SM-36/300 Pressure Module	2,337	2,500	3,750
FSS005108200	SM-36/300 Pressure Module w. Rubber Sleeve, packed	2,790	2,985	4,480
COMPASS - SUUNTO				
FSS018657000	SK-7 Diving Compass/Wrist NH	1,747	1,870	2,805
FSS018658000	SK-7 Diving Compass/Wrist SH	1,747	1,870	2,805
FSS020625000	SK-7 Diving Compass w. Boot & Bungy Cord NH	1,747	1,870	2,805
FSS020626000	SK-7 Diving Compass w. Boot & Bungy Cord SH	1,747	1,870	2,805
FSS018677000	CB-71/SK-7/STD NH	1,747	1,870	2,805
FSS018678000	CB-71/SK-7/STD SH	1,747	1,870	2,805
FSS018659000	SK-7 Capsule NH	1,032	1,105	1,655
FSS018660000	SK-7 Capsule SH	1,032	1,105	1,655
FSS004102011	Clipper Compass NH	473	507	760
DBC01	Minicompass for Watchband	50	53	110
FSS021122000	CB-71/SK-8/STD NH (Standard Cobra Console)	1,837	1,965	2,945
FSS021160000	CB-71/SK-8/STD SH (Standard Cobra Console)	1,837	1,965	2,945

Equipment

ITEM #	DESCRIPTION	TRADE excl. VAT	TRADE incl. VAT	RETAIL incl. VAT
COMPASS - SUUNTO				
FSS021123000	CB-71/SK-8/DS NH (Double Sided Console)	1,837	1,965	2,945
FSS021161000	CB-71/SK-8/DS SH (Double Sided Console)	1,837	1,965	2,945
FSS020981000	SUUNTO SK-8 DIVING COMPASS/WRIST NH	1,837	1,965	2,945
FSS020982000	SUUNTO SK-8 DIVING COMPASS/WRIST SH	1,837	1,965	2,945
FSS021120000	SUUNTO SK-8 CAPSULE NH	1,047	1,120	1,680
FSS021121000	SUUNTO SK-8 CAPSULE SH	1,047	1,120	1,680

WRISTOP COMPUTER - SUUNTO				
FSS019015000	DX Black Titanium w.USB	39,645	42,420	63,630
FSS019016000	DX Black Elastomer w.USB	34,000	36,380	54,565
FSS021115000	DX Silver Titanium w.USB	34,000	36,380	54,565
FSS021116000	DX Silver Elastomer w.USB	28,351	30,335	45,505
FSS016915000	D9tx Titanium w. USB	34,000	36,380	54,565
FSS016916000	D9tx Elastomer w. USB	25,529	27,315	40,970
FSS019478000	D6i ALL-BLACK Steel w. USB	28,351	30,335	45,505
FSS018400000	D6i Steel w.USB	25,529	27,315	40,970
FSS018543000	D6i ALL-BLACK Elastomer w. USB	22,706	24,295	36,440
FSS018744000	D6i White w. USB	21,856	23,385	35,080
FSS018402000	D6i Elastomer w. USB	21,856	23,385	35,080
FSS020365000	D4i Novo Black w. USB	15,645	16,740	25,110
FSS020392000	D4i Novo White w. USB	15,645	16,740	25,110
FSS020393000	D4i Novo Blue w. USB	15,645	16,740	25,110
FSS020395000	D4i Novo Lime w. USB	15,645	16,740	25,110
FSS020396000	D4i Novo Pink w. USB	15,645	16,740	25,110
FSS021117000	D4i Novo Gray w. USB	15,645	16,740	25,110
FSS016824000	D4i Black without USB cable	11,977	12,815	19,220
FSS020306000	Tank POD Transmitter (LED) for Eon Steel	8,515	9,110	13,665
FSS019098000	Transmitter (LED) for DX, D9tx, D6i, D4i, Vytec, Vyper Air, HelO2	7,669	8,205	12,305
FSS021027000	EON Steel Scratch Guard (1 Piece)	402	430	645
FSS013587000	D-Series Scratch Guard (2 Pieces)	402	430	645

CONSOLES WITH COMPUTER - SUUNTO				
FSS016427000	CB-2 INL/300/Zoop Orange	9,075	9,710	14,560
FSS019545000	CB-2 INL/300/Zoop Black	9,075	9,710	14,560
FSS005502000	Quick Release, complete	2,234	2,390	3,585

OTHER DIVE COMPUTERS - SUUNTO				
FSS015964000	Zoop Wrist, Yellow	6,776	7,250	10,875
FSS016424000	Zoop Wrist, Orange	6,776	7,250	10,875
FSS019544000	Zoop Wrist, Black	6,776	7,250	10,875
FSS019540000	Vyper Silver w.USB	8,566	9,165	13,745
FSS018539000	Vyper Air BLACK w. USB	12,346	13,210	19,815
FSS014506000	HelO2 w. USB	15,080	16,135	24,200
FSS020305000	EON Steel w Boot & USB	28,351	30,335	45,505
FSS005402000	Cobra (w/o quick release)	12,817	13,715	20,570
FSS018403000	Cobra w quick disconnect & USB	15,645	16,740	25,110
FSS018536000	Cobra3 Black w quick disconnect & USB	23,272	24,900	37,345

DIVE MANAGER / PC-INTERFACE				
FSS018214000	D-Series USB Interface	2,276	2,435	3,650
FSS011350000	Dive Manager-USB for HelO2/Cobra/Vyper/Zoop	2,276	2,435	3,650
FSS020307000	USB Interface Cable EON Steel	2,276	2,435	3,650

PROMOTIONAL DISPLAYS - SUUNTO				
FSS01.....	Suunto Computer Dummies, elastomer strap	X	1,272	1,360
FSS01.....	Suunto Computer Dummies, metal strap	X	5,902	6,315
FSS0204....	D4i NOVO Dummy Metric, Black, Blue, Lime, White	X	1,272	1,360
FSS020856000	EON Steel Dummy Metric	NEW/X	3,005	3,215
FSS021363000	DX Silver Titanium Dummy Metric	NEW/X	5,902	6,315

Equipment

ITEM #	DESCRIPTION		10+ excl. VAT	TRADE excl. VAT	TRADE incl. VAT	RETAIL incl. VAT
PROMOTIONAL DISPLAYS - SUUNTO						
FSS021365000	DX Silver Elastomer Dummy Metric	NEW/X		1,272	1,360	
In-Store Display Range						
FZS020176000	Ice Cube Base, Large 330mm x 90mm	X		281	300	
FZS020175000	Ice Cube Base, Small 132mm x 90mm	X		262	280	
FZS018993000	Ice Cube Shelf Riser	X		1,318	1,410	
FZS012512000	SUUNTO Ice Cube	X		248	265	
FZS019662000	Ice Cube Cards, Set, English/French	X		342	365	
FZS020298000	Logo Graphics XL, 462mm x 220mm	X		477	510	
FZS020297000	Logo Graphics Large, 330mm x 220mm	X		477	510	
FZS020296000	Logo Graphics Small, 132mm x 220mm	X		426	455	
FZS020303000	Cobra Holder for Alignment Tool	X		505	540	
FZS020722000	Roll-Up Banner D4i Novo	X		2,510	2,685	
FZS018231000	Fabric Banner w Big SUUNTO Logo, 60cm x 180cm	X		1,444	1,545	
FZS020723000	Fabric Banner D4i Novo	X		1,384	1,480	
FZS019077000	KOTF Cards, English	X		356	380	
FZS019654000	Info Center Cards, English	X		328	350	
FZS020719000	EON Holder for Alignment Tool	X		547	585	
FZS021094000	KOTF Cards EON, English	X		295	315	
FZS021128000	Roll-Up Banner, EON	X		2,281	2,440	
FZS021129000	Fabric Banner, EON	X		1,384	1,480	
FZS021130000	Pop-Up Banner, EON	X		1,384	1,480	
DIVE COMPUTERS - SCUBAPRO / SUBGEAR						
X05.060.200	Meridian BlackTech			15,739	16,840	25,260
X05.061.	Chromis; Black, White, Orange/Black			11,440	12,240	18,360
X05.061.400	Chromis; Gold/Black	NEW		13,762	14,725	22,085
X05.040.110	Aladin Square	NEW		11,977	12,815	19,220
X05.062.100	Mantis 1	NEW		15,388	16,465	24,695
G805.834.100	XP-H Air Integrated Computer + STD Hose	Reduced		9,252	9,900	14,990
ACCESSORIES						
X05.060.001	USB interface, Mantis/Meridian (Cradle)			2,799	2,995	4,425
XZ06.204.206	Meridian Rubber Strap with pin, Black			996	1,065	1,595
XZ05.060.003	Meridian Nylon Sports Strap, Black			547	585	880
XZ05.060.000	Meridian wrist strap - Blue, Orange, Pink, Red, Yellow			547	585	880
X05.061.001	USB interface, Chromis (Cradle)			2,234	2,390	3,490
MASKS - DEEP BLUE						
"No Mask Boxes included"						
DBMD56-KK	Silicone Mask Vyper, Frameless - KK	NEW		547	607	1,300
DB1MA36+	Silicone Mask Bora Plus, 2 Lens - BT, KK, O, Y			299	332	710
DBMA36+	Silicone Mask Bora Plus, 2 Lens - K, KY			299	332	710
DBMC24-KK	Silicone Mask Covert, 2 lens, low volume - Black Skirt -K			492	547	1,170
DBMA68	Silicone Mask Malibu, 2 Lens - B, K, Y			379	421	900
DBMA69-KK	Silicone Mask Bali, frameless, Black Skirt - K			395	439	940
DBMA66	Silicone Mask Andaman, clear skirt - BT, KT, YT	Reduced		350	350	750
DBMC25	Silicone Mask Uno, Single Lens, BT, KT, Y			425	472	1,010
DBMC23-BT/Y	Silicone Mask Mako, clear skirt - BT, Y	NEW		369	410	880
DBMC23-KK	Silicone Mask Mako, black skirt - KK	NEW		369	410	880
DB7MA88	Silicone Mask Azores, 2 Lens, for Kids - BT, YT	Reduced		252	252	540
DB8MB52	Silicone Mask Fiji, Single Lens, for Kids - BT, PiT, Y			361	401	860
DB8MB52CL	Silicone Mask Fiji, in Clamshell, for Kids - BT, PiT, Y			369	410	880
DB3MD05P	PVC Mask Hawaii - BT, Y			210	234	430
DB3MA56P	PVC Mask New-Hawaii - BT, Y			210	234	430
DB5MA70P	PVC Mask Similan, for Kids - GT, Pi, YT			143	159	295
DB4MB52P	PVC Mask Fiji, Single Lens, for Kids - BT, PiT, Y			210	234	430
DBS1	Plastic Mask Box			38	42	90

Equipment

ITEM #	DESCRIPTION	10+ excl. VAT	TRADE excl. VAT	TRADE incl. VAT	RETAIL incl. VAT
SNORKELS - DEEP BLUE					
DBSA105-KK	Black Silicone Snorkel Stingray	201	223	239	480
DBSA105	Clear Silicone Snorkel Stingray - BT, C, K, Y	201	223	239	480
DBSB47	Silicone Snorkel Sharky - BT, C, K, Y	201	223	239	480
DBSA91	Snorkel Marlin (Silicone Mouthpiece) - BT, C, K, Y	109	121	129	260
DBSA91-KSK	Snorkel Marlin (Black Silicone Mouthpiece & Black Tube)	109	121	129	260
DB1SA106	Snorkel Manta Plus (Purge Valve, Silicone Mouthpiece) - BT, KK, Y	167	186	199	400
DB7SA61	Kids Snorkel Dolphin (Silicone Mouthpiece, Purge Valve) - BT, YT	Reduced	111	119	240
DB8SA102	Kids Snorkel Damsel (Silicone M/piece, Purge, Semi-dry) - BT, YT	117	130	139	280
DB3SB35	PVC Snorkel Mako, w. Purge Valve, Adults - BT, KK, Y	92	102	109	220
DBSB36	PVC Snorkel Goby, Standard, Kids - GT, Pi, YT	83	93	99	200

MASK & SNORKEL SETS - DEEP BLUE

"No Mask Boxes included"

DB1SP1 (Speed1)	Bora PLUS Mask, Sil. Snorkel & SPEED1 Fin Set incl. Mesh Bag - BT, K, Y (Fin Sizes available : 38/39, 40/41, 42/43, 44/45)	866	962	1,029	2,060
DB1SP2 (Speed2)	Bora PLUS Mask, Sil. Snorkel & SPEED2 Fin Set incl. Mesh Bag - BT, K, Y (ADULT Sizes : S, M)	1,005	1,117	1,195	2,145
DB1SP2 (Speed2)	Bora PLUS Mask, Sil. Snorkel & SPEED2 Fin Set incl. Mesh Bag - BT, K, Y (ADULT Sizes : L, XL)	1,005	1,117	1,195	2,145
DB1SP3 (Speed3)	Bora PLUS Mask, Sil. Snorkel & SPEED3 Fin Set incl. Mesh Bag - BT, K, O, Y (Fin Sizes available : S/M & L/XL, 2 sizes)	NEW	938	1,042	2,115
DB2Bag	Bora PLUS Mask & Sil. Snorkel Set incl. Mesh Bag - BT, K, O, Y	475	528	565	1,130
DB2Clam	Bora PLUS Mask & Sil. Snorkel Set in Clamshell - BT, K, O, Y	526	584	625	1,125
DB7Bag	Silicone Azores Mask & Dolphin Snorkel Set for Kids incl. Mesh Bag	Reduced	373	399	800
DB8Bag	Silicone Fiji Mask & Damsel Snorkel Set for Kids incl. Mesh Bag - BT, PiT, Y	462	513	549	1,095
DB7Clam	Silicone Azores Mask & Dolphin Snorkel Set for Kids in Clamshell	Reduced	392	419	840
DB8Clam	Silicone Fiji Mask & Damsel Snorkel Set for Kids in Clamshell - BT, PiT, Y	NEW	504	599	1,200
DB3Bag	PVC Hawaii Mask & Mako Snorkel Set Adults incl. Mesh Bag - BT, YT	NEW	299	355	595
DB4Bag	PVC Fiji Mask & Goby Snorkel Set Junior incl. Mesh Bag - BT, PiT, YT	299	332	355	595
DBMakoC-	Silicone MAKO Mask & Snorkel Set, Adult, in Clamshell - BT, YT, KK	NEW	500	595	1,095
DBMakoB-	Silicone MAKO Mask & Snorkel Set, Adult, in Mesh Bag - BT, YT, KK	NEW	500	595	1,095
DB5Clam	PVC Similan Mask & Goby Snorkel Set for Kids, GT, PiT	219	243	260	520
DBS1	*** for Mask Box add 45 Baht ***	38	42	45	90

MASKS - SAEKODIVE

"No Mask Boxes included"

SMS102	Silicone Mask Junior, fits small faces - BT, G, Y		486	520	1,040
SMM108	Silicone Wide Vision Mask, Large - Clear Silicone - BT, YT		608	650	1,300
SMM108KS-K	Silicone Wide Vision Mask, Large - Black Silicone - K		608	650	1,300
S1083S	Silicone Mask Runner, fits most faces - BT, C, G, K, PRT, Y		557	595	1,185
S1083KS	Mask Runner "B", fits most faces, Black Silicone - BT, G, K, Y		557	595	1,185
SMM107KS	Frameless Mask, Black Silicone		636	680	1,360
MPE10	Mask Pro Ear 2000			1,800	3,275
DBS1	*** for Mask Box add 45 Baht ***	38	42	45	90

OPTICAL LENSES

S1083OP	For Mask 1083 (price per piece)		519	555	1,110
TFM98	DiveOptx, flexible mask magnifier kit, per set (+1.0 to +3.0)		1,019	1,090	2,175

SNORKEL - SAEKODIVE

S1052	Rubber Snorkel, standard - B, G, GT, K, Y		155	165	330
S1052S	Silicone Snorkel, standard - BL, BT, G, GT, K, P, Y		211	225	445
S1156S	Silicone Snorkel (PVC Tube), purge valve - BT, C, GT, K, Pu, Y		258	275	545
S1057S	Silicone Snorkel, purge valve - BT, G, K, Pu, Y, YT	Reduced	308	330	650
S1057KS-K	Silicone Snorkel w. purge valve, Black Silicone - K	Reduced	308	330	650

Equipment

ITEM #	DESCRIPTION	TRADE excl. VAT	TRADE incl. VAT	RETAIL incl. VAT
SWIMMING ARTICLES - SAEKODIVE				
SS5	Swim Goggles for Children, Silicone	145	155	305
S1281ASB	Swim Goggles for Adults, Antifog, B, BL, K	253	270	540
SK5	Swim Goggle Mariner clear	430	460	920
SK5UV	Swim Goggle Mariner UV protection	482	515	1,030
SN2	Nose Clip	52	55	115
SE4	Ear Plug Silicone / Pair	46	49	98

MASKS - SEAC					
B060004N	L70 mask, Low volume, Black Silicone, Black	Reduced	1,085	1,160	2,085
B939	Extreme, Clear Silicone - B, Y		958	1,025	1,845
B936KS-K	Extreme, Black Silicone - K		958	1,025	1,845
B9238	Iena, Clear Silicone - B, K, Y		912	975	1,750
B9239KS-K	Iena, Black Silicone/Black		912	975	1,750
B9231	Boss, Clear Silicone - B, K, Pi, Y		912	975	1,750
B9232KS-K	Boss, Black Silicone/Black		912	975	1,750
B9420	Capri, Clear Silicone - B, K, W		818	875	1,575
B9421KS-K	Capri, Black Silicone - K		818	875	1,575
B9426	Marina, Clear Silicone - B, Pi, Y		552	590	1,065
B0602	Charm, Clear Silicone - B, W, Y	Reduced	809	865	1,555
B0603KS-K	Charm, Black Silicone - K	Reduced	809	865	1,555
B9236	Angel, Clear Silicone - B, K, Pi, R	Reduced	655	700	1,260
B9236KS-K	Angel, Black Silicone - K	Reduced	655	700	1,260

SNORKELING SETS - SEAC					
B0890001-B	FUSION Adult Mask & Snorkel set, Blue		1,388	1,485	2,675
B0890001-Y	FUSION Adult Mask & Snorkel set, Yellow		1,328	1,420	2,555

SNORKELS - SEAC					
B476	Fast Tech - B, K, Pi, R, Y		458	490	885
B424	K2 - Pi, R, Y		318	340	615
B426	K2 HD - B, K, Pi, R, W, Y		603	645	1,160
B417N	Seac Seaflex Apnea Snorkel (folds, w carry case)		795	850	1,530
B233	Seac Piccolo Snorkel, Siltra, B, Pi, Y		93	99	150

SWIMMING ARTICLES - SEAC					
B460010NR	Sonic Swimming Goggles, Black/Red		944	1,010	2,020
B9908B	Vision HD Swimming Goggles, Blue, Red		650	695	1,385
B9913B	Jump Swimming Goggles, Blue, Black		360	385	770
B9911-B/Pi	Bubble Swimming Goggles for Kids, Blue, Pink		286	305	610

MASKS - SCUBAPRO					
X24.341.000	Gorilla Mask, Frameless, Black Silicone - K	NEW	1,762	1,885	3,395
X248551	Crystal Vu, Metallic-B, R, W, Y		1,645	1,760	3,170
X248551-KSi	Crystal Vu, Metallic-Black/Silver		1,645	1,760	3,170
X248551-KO	Crystal Vu, Metallic-Black/Orange	NEW	1,645	1,760	3,170
X24340	Frameless Mask, Black Skirt		1,762	1,885	3,395
X94.071.000	Trinidad Mask, Frameless, Black Silicone - K		1,000	1,070	1,925
X24.847.110	Spectra Mask - Black Skirt - Silver Subframe - K		1,472	1,575	2,830
X24.847	Spectra Mask - Clear Skirt - Silver Subframe - B, R, Y		1,472	1,575	2,830
X24.851.7	Spectra 2 Mask - Clear Skirt - W, Pi		1,351	1,445	2,600
X24.849KS	Solo Mask, Black Skirt		1,384	1,480	2,660
X24.710.135KS	Spectra TRUFIT Mask, Black Skirt, Mirror Lens, Black/Silver		1,762	1,885	3,395
X24.710.200	Spectra TRUFIT Mask, Clear Skirt, Blue, Red, Silver/Black		1,529	1,635	2,940
X24.714.140KSM	Synergy TRUFIT Mask, Black Skirt, Blue Mirror Lens, Silver/Black	NEW	2,117	2,265	4,075
X24.714.	Synergy TRUFIT Mask, Black Skirt, Black/Silver, Black/Red	NEW	1,884	2,015	3,620
X24.714.	Synergy TRUFIT Mask, Clear Skirt, Blue, Yellow, Pink	NEW	1,884	2,015	3,620
X24.591-KS	Fino Mask - Black, Black Skirt	Reduced	1,015	1,085	1,955
X24.591-K	Fino Mask - Black, Clear Skirt	Reduced	1,015	1,085	1,955
X24.592-B	Fino Mask - Blue, Clear Skirt	Reduced	1,015	1,085	1,955

Equipment

ITEM #	DESCRIPTION	10+ excl. VAT	TRADE excl. VAT	TRADE incl. VAT	RETAIL incl. VAT
MASKS - SCUBAPRO					
X24.595-Y	Fino Mask - Yellow, Clear Skirt	Reduced	1,015	1,085	1,955
X24.599-CL	Fino Mask - Clear, Clear Skirt	Reduced	1,015	1,085	1,955
X24.150.000	Full Face Mask - Black Silicone Skirt		14,758	15,790	28,425
X24.150.030	Octopus Kit for Full Face Mask		706	755	1,355
X24.856.110	Marin Mask - dual lens, Titanium/Black , Black Skirt	Reduced	1,108	1,185	2,130
X24.856.200	Marin Mask - dual lens, Blue/Black , Clear Skirt	Reduced	1,108	1,185	2,130
X24.856.300	Marin Mask - dual lens, Red/Black , Clear Skirt	Reduced	1,108	1,185	2,130

SNORKELS - SCUBAPRO

X26715	Escape semi dry - B, K, Y		529	565	1,010
X267111	Phoenix 2 dry - B, K, Y		762	815	1,465
X96.071.000	Trinidad - K		440	470	840
X26.704	Spectra semi dry - Black w. Silver, Clear w. Blue, Red, White, Yellow		645	690	1,240
X26.720.130	Spectra Dry Snorkel - Silver	NEW	907	970	1,745
X26.720.200	Spectra Dry Snorkel - Blue	NEW	907	970	1,745
X26.720.300	Spectra Dry Snorkel - Red	NEW	907	970	1,745
X26.720.500	Spectra Dry Snorkel - Yellow	NEW	907	970	1,745
X26.720.600	Spectra Dry Snorkel - White	NEW	907	970	1,745
X26.720.700	Spectra Dry Snorkel - Pink	NEW	907	970	1,745

MASKS - SUBGEAR

Single Lens

G824.101.200	Action Mask - Clear/Blue	Reduced	762	815	1,465
G824.112.000	Angel Mask White		902	965	1,730
G824.107.110	Subgear Steel Apnea Mask - Black skirt		1,243	1,330	2,395
G824.108.100	Subgear Steel Com Double Lens Mask, Black	NEW	1,328	1,420	2,555
G824.108.600	Subgear Steel Com Double Lens Mask, White	NEW	1,328	1,420	2,555

Dual Lens

G824.151.050	Zoom 2-lens, T. Purple	Reduced	697	745	1,330
G824.151.400	Zoom 2-lens, Orange	Reduced	697	745	1,330
G824.151.150	Zoom 2-lens, Black/Black	Reduced	697	745	1,330
G824.151.100	Zoom 2-lens, T. Black	Reduced	697	745	1,330
G824.151.200	Zoom 2-lens, T. Blue	Reduced	697	745	1,330
G824.151.550	Zoom 2-lens, T. Yellow	Reduced	697	745	1,330
G824.218.280	Ecco 2-Lens Mask, Turquoise	Reduced	430	460	825

SNORKELS - SUBGEAR

G826.039.000	Fusion Pro snorkel, White		500	535	960
G826.039.200	Fusion Pro snorkel, TransBlue / IceBlue / Purple / Orange		500	535	960
G826.128.100	Express snorkel, Black		393	420	760
G826.128.200	Express snorkel, Blue		393	420	760
G826.128.500	Express snorkel, Yellow		393	420	760
G826.130.000	Subgear Apnea Snorkel - Soft tube, Black		370	395	705
G826.130.600	Subgear Apnea Snorkel - Soft tube, White		370	395	705
G826.122.280	Vent2 snorkel, Turquoise	Reduced	210	225	360

SNORKELING SETS - SUBGEAR

G824.300.280	Ecco Mask & Vent 2 Snorkel Set, incl white mesh bag	Reduced	519	555	995
--------------	---	---------	-----	-----	-----

FINS - SUBGEAR

G825.896.200	Wake Adj. Fin - Black, S/M, M/L, LG/XL	Reduced	832	890	1,500
G825.897.200	Wake Adj. Fin - Blue, S/M, M/L, LG/XL	Reduced	832	890	1,500
G825.898.200	Wake Adj. Fin - Yellow, S/M, M/L, LG/XL	Reduced	832	890	1,500
G825.280.100	Fluida Snorkeling Fins, Turquoise, 9 sizes, 27/30 to 46/47	Reduced	299	320	650

Equipment

ITEM #	DESCRIPTION		10+ excl. VAT	TRADE excl. VAT	TRADE incl. VAT	RETAIL incl. VAT
FINS - DEEP BLUE						
DBF41XS-M	Speed1 Fins XS (38/39), S (40/41) - B, K, Y	Reduced	231	257	275	490
DBF41L-XL	Speed1 Fins M (42/43), L (44/45) - B, K, Y	Reduced	231	257	275	490
DBF367(5XS-3XS)	Speed2 Fins 5XS (26/28), 4XS (29/31), 3XS (32/34) - Blue, Yellow		332	369	395	740
DBF367(2XS-S)	Speed2 Fins XXS (34/36), XS (36/37), S (38/39) - Blue, Yellow, Black		379	421	450	890
DBF367M-XL	Speed2 Fins M (41/42), L (43/44), XL (45/46) - Blue, Yellow, Black		416	463	495	990
DBFB86	Speed3 Adult Snorkeling Fins S/M (36/42) - BT, K, O, YT		403	448	479	955
DBFB85	Speed3 Adult Snorkeling Fins L/XL (43/48) - BT, K, O, YT		403	448	479	955
DBFB87	Speed3jr Kids Snorkeling Fins S/M (27/31) - BT, PiT, YT		336	373	399	690
DBFB88	Speed3jr Kids Snorkeling Fins M/L (31/36) - BT, PiT, YT		336	373	399	690
DBFB89	Speed3jr Kids Snorkeling Fins LG (37/41) - BT, PiT, YT		336	373	399	690
DBF770S/M	Snorkeling Fins S/M - B, K, Y		378	420	449	850
DBF770L/XL	Snorkeling Fins L/XL - B, K, Y		378	420	449	850
DBFA22 & 23	Kids Snorkeling Fins S/M, ML/XL - GT, PiT, YT		324	360	385	595
FINS - SAEKODIVE						
S2030XL	Jet Fin OH Saekodive, XL - Black			1,468	1,570	2,830
S2031L	Jet Fin OH Saekodive, L - Black			1,468	1,570	2,830
S2032M	Jet Fin OH Saekodive, M - Black			1,468	1,570	2,830
FINS - SEAC SUB						
B51-26/28	SPEED full foot Fins 26/28 - B, Y **	Reduced		271	290	490
B51-29/31	SPEED full foot Fins 28/31 - B, Y**	Reduced		271	290	490
B51-32/33	SPEED full foot Fins 32/33 - B, Y**	Reduced		271	290	490
B111000-B/Y	SPRINT open heel Fins XXS-XS (32 / 35) - B, Y			692	740	1,290
B111001-B/Y	SPRINT open heel Fins XS-S (36 / 38) - B, Y			692	740	1,290
B111002-B/Y	SPRINT open heel Fins S-M (39 / 41) - B, Y			692	740	1,290
B111003-B/Y	SPRINT open heel Fins M-L (42 / 44) - B, Y			692	740	1,290
B111004-B/Y	SPRINT open heel Fins L-XL (45 / 47) - B, Y			692	740	1,290
B9260	Fuga full foot Fins, 36/37 - B, K, R, Pi, Y			1,108	1,185	2,010
B9261	Fuga full foot Fins, 38/39 - B, K, R, Pi, Y			1,108	1,185	2,010
B9262	Fuga full foot Fins, 40/41 - B, K, R, Pi, Y			1,108	1,185	2,010
B9263	Fuga full foot Fins, 42/43 - B, K, R, Y			1,108	1,185	2,010
B9264	Fuga full foot Fins, 44/45 - B, K, Y			1,108	1,185	2,010
B9265	Fuga full foot Fins, 46/47 - B, K, Y			1,108	1,185	2,010
B9290	F-100 PRO full foot Fins 36/37 - B, Pi, R, Y			1,426	1,525	2,595
B9291	F-100 PRO full foot Fins 38/39 - B, Pi, R, Y			1,426	1,525	2,595
B9292	F-100 PRO full foot Fins 40/41 - B, K, R, Y			1,426	1,525	2,595
B9293	F-100 PRO full foot Fins 42/43 - B, K, Y			1,426	1,525	2,595
B9294	F-100 PRO full foot Fins 44/45 - B, K, Y			1,426	1,525	2,595
B9295	F-100 PRO full foot Fins 46/47 - B, K, Y			1,426	1,525	2,595
B538	Propulsion Fins S/M - B, K, P, Y			2,393	2,560	4,355
B539	Propulsion Fins M/L - B, K, P, Y			2,393	2,560	4,355
B540	Propulsion Fins L/XL - B, K, Y			2,393	2,560	4,355
B5002	GP 100 Fins S/M - B, K, R, W, Y			3,024	3,235	5,495
B5003	GP 100 Fins M/L - B, K, R, W, Y			3,024	3,235	5,495
B5004	GP 100 Fins L/XL - B, K, R, W, Y			3,024	3,235	5,495

Equipment

ITEM #	DESCRIPTION	10+ excl. VAT	TRADE excl. VAT	TRADE incl. VAT	RETAIL incl. VAT
FINS - SCUBAPRO					
X25385-K	Twin Jet Fins, open heel, S, M, L, XL - Black		4,192	4,485	7,620
X25387-Co	Twin Jet Fins, open heel, S, M, L, XL - Cobalt		4,192	4,485	7,620
X25.345-Gp	Twin Jet Max Fins, S, M, L, XL - Graphite		2,659	2,845	4,835
X25.346-R	Twin Jet Max Fins, S, M, L, XL - Red		2,977	3,185	5,415
X25.347-B	Twin Jet Max Fins, S, M, L, XL - Blue		2,977	3,185	5,415
X25.348-Y	Twin Jet Max Fins, S, M, L, XL - Yellow		2,977	3,185	5,415
X25.351.000-K	Jet Fins, open heel, M, - rubber strap only (black only)		3,309	3,540	6,015
X25.352.100-K	Jet Fins, open heel, XXXL - rubber strap only (black only)		3,603	3,855	6,550
X25.365...-K	Jet Fins, open heel, M, L, XL, XXL - spring strap only (black only)		3,898	4,170	7,085
X25.713-W	Seawing Nova Fins, S, M, L, XL - White		4,926	5,270	8,955
X25.718-B	Seawing Nova Fins, S, M, L, XL - Blue		4,781	5,115	8,690
X25.705-K	Seawing Nova GORILLA Fins, XL - Black	Reduced	3,879	4,150	7,060
X25.721-Gp	Seawing Nova GORILLA Fins, S, M, L, XL - Graphite	NEW	5,220	5,585	9,490
X25.878	Jet Sport adjustable Fins, XS, S, M, L, XL - Red		1,926	2,060	3,505
X25.879	Jet Sport adjustable Fins, XS, S, M, L, XL - Black		1,926	2,060	3,505
X25.880	Jet Sport adjustable Fins, XS, S, M, L, XL - Yellow		1,926	2,060	3,505
X25.881	Jet Sport adjustable Fins, XS, S, M, L, XL - Blue		1,926	2,060	3,505
X25.883	Jet Sport full foot Fins, L, XL	Reduced	840	899	1,390
X25.021	Jet Club full foot Fins, XS, S, M, L, XL, XXL - Black	Reduced	832	890	1,895
X25.022	Jet Club full foot Fins, XS, S, M, L, XL, XXL - Blue	Reduced	832	890	1,895
BOOTS & GLOVES - DEEP BLUE					
DBG01	Glove Deep Blue, 1.5 mm, XS - XL		350	375	650
DBG02	Superstretch Glove Deep Blue, 2.5 mm, 3 sizes XS/S, M/L, XL/XXL		276	295	490
DBB01	Boot Deep Blue, 5mm, XXS - XXL	Reduced	607	650	995
DBB01B	Boot Deep Blue, 5mm, XXS - XXL, with orange insert		812	869	1,390
DBB01C	Nautilus Boot, Deep Blue, 5mm, XXS - XXL, w blue lining	NEW	874	935	1,490
DBB02	Half Boot Deep Blue 3 mm, XXS - XXL		533	570	990
DBB02A	Half Boot Deep Blue 3 mm, XXS - XXL, with pull-cord		556	595	1,045
DBB03	Neoprene Sock Deep Blue, 2mm (non slip surface) XXS-XXL		257	275	495
DBB04	Aloha Beach Walker, Black w. Orange, size 30 to 46	NEW	350	375	635
DBB05	Aloha Beach Walker, Black w. Blue, size 30 to 46	NEW	350	375	635
BOOTS & GLOVES - SEAC SUB					
B64600	Glove Tropic HD 1.5mm Seac Sub, XS - XL		842	900	1,525
B67900	Boots Basic HD, 5mm Seac Sub, XXS - XXL		1,468	1,570	2,665
BOOTS & GLOVES - SCUBAPRO					
X58142	Tropic Amara Sport Glove, 1.5 mm, XXS - XXL, Blue **	Reduced	551	590	950
X58161	Tropic Pro Glove, 1.5 mm, size XXS - XXL, Black **	Reduced	738	790	1,250
X58325	Tropic Glove, 1.5 mm, XXS - XXL, Black/Grey		1,066	1,140	1,920
X58326	Tropic Glove, 1.5 mm, XXS - XXL, Black		1,066	1,140	1,920
X57164	Delta Short Boot, 5 mm, size XXXS/5 - XXXL/11.5, Black		1,019	1,090	1,855
X57165	Delta Short Boot, 3 mm, size XXXS/5 - XXL/11, Black		986	1,055	1,790
X57136	Delta Club Boot, 5 mm, size XXXS/5 - XXXL/11.5, Black		1,575	1,685	2,860
BOOTS & GLOVES - SUBGEAR					
G857.182.000	Kailua Beach Walker, size 30 to 46		384	410	700
G858.064.200	Stretch D-Flex 2mm, XS-S, M-L, L-XL	Reduced	540	578	1,080
G857.181.000	Waikiki Beach Walker, size 30 to 46	Reduced	210	225	380
G857.015.100	Comfort Zip Boots 5mm, 36 = 5 to 46/47 = 12	Reduced	799	855	1,615
G857.081.100	Dive'n Beach Boots size 36 to 45	Reduced	930	995	1,800

Equipment

ITEM #	DESCRIPTION	TRADE excl. VAT	TRADE incl. VAT	RETAIL incl. VAT
WETSUIT & LYCRA - DEEP BLUE				
DBADS01	Deep Blue Unisex Shorty 3mm, CR, Black XXS - XXXL	1,249	1,388	2,950
DBADS02	Deep Blue Unisex Shorty 3mm, SBR, Black/Blue, XXS - XXXL	1,064	1,182	2,390
DBADS03	Deep Blue Unisex Steamer 3mm, Black, XS - XXXL		1,939	3,790
DBLGK	Lycra RashGuard Gekko Black XXS - XXL		458	790
DBLGB	Lycra RashGuard Gekko Blue XXS - XXL		458	790
DBLFPi	Lycra RashGuard Flower Pink XXS - L		458	790
DBLR1K	Lycra RashGuard Black XXS - XXL		719	1,190
DBLR1KGy	Lycra RashGuard Black/Grey XXS - XXL		719	1,190
DBLR1KB	Lycra RashGuard Black/Blue XXS - XXL		719	1,190

WETSUIT & LYCRA - SCUBAPRO

X001.	T-Shirt Scubapro, unisex, 4S - XXXL		262	280	295
X50.020.000	Beanie, Black		557	595	890

Rash Guards for Men

X63660	Camo Rash Guard, 1 mm - LS - Men, XS-XXL ETA Apr'16	NEW	1,706	1,825	3,100
X63672	Army Green Rash Guard - LS - Men, XS-XXL ETA Apr'16	NEW	837	895	1,520
X63185	T-Flex Rash Guard - LS - Men, XS-XXL White/Grey w. Slogan ETA Mar'16	NEW	1,575	1,685	2,865
X63187	T-Flex Rash Guard - LS - Men FJK, White/Grey, XS-XXL		1,351	1,445	2,455
X63179	T-Flex Rash Guard - LS - Men FJK, Black/Grey, XS-XXL		1,318	1,410	2,395
X63168	T-Flex Rash Guard - LS - Men, Black/Organge, XS-XXL		1,127	1,205	2,045
X63171	T-Flex Rash Guard - LS - Men, Black/Yellow, XS-XXL		1,318	1,410	2,395
X63283	T-Flex Rash Guard - LS - Men, Black, XS-XXL		1,482	1,585	2,690
X63141	T-Flex Rash Guard - Short Sleeve - Men, Black/Red, XS-XXL	Reduced	935	1,000	1,695
X63202	Loose Fit Rash Guard LS - Unisex, Black, XS-XL		1,286	1,375	2,340
X62300	Profile Rash Guard 0.5mm LS (Chlorine-Resist) Men, XS-XXL ETA Jun'2015	NEW	1,641	1,755	2,980

Rash Guards for Ladies

X63661	Rash Guard - LS - Lady, XS-XL, Black/White w Pink logo ETA Apr'16	NEW	1,482	1,585	2,690
X63186	T-Flex Rash Guard - SS - Lady, XS-XL, Black/Purple w. Slogan ETA Apr'16	NEW	1,318	1,410	2,395
X63670	Polyester Rash Guard - LS - Lady, XS-XL, Black/Purple ETA Apr'16	NEW	837	895	1,520
X63188	T-Flex Rash Guard - LS - Lady FJK, White/Blue, XS-XL		1,318	1,410	2,395
X63180	T-Flex Rash Guard - LS - Lady FJK, Black/Blue, XS-XL		1,318	1,410	2,395
X63169	T-Flex Rash Guard - LS - Lady, White/Orange, XS-XL		1,127	1,205	2,045
X63172	T-Flex Rash Guard - LS - Lady, White/Yellow, XS-XL		1,127	1,205	2,045
X63264	T-Flex Rash Guard - LS - Lady, Black, XS-XL		1,416	1,515	2,570
X63280	T-Flex Rash Guard - LS - Lady, Blue/White, XS-XL		1,416	1,515	2,570
X62301	Profile Rash Guard 0.5mm LS (Chlorine-Resist) Lady, XS-XXL		1,641	1,755	2,980
X63189	T Flex Rash Guard - LS - Lady, White/Pink, XS-XL		1,351	1,445	2,455

Unisex Shorts

X63056	Hybrid T Shorts - Men, S-XXL		1,318	1,410	2,255
X63170	Hybrid Shorts w cargo pockets, S-XXL		2,229	2,385	3,810

Wetsuits for Men

X63498	Definition Men, 3mm,Black/Yellow, XS-XXL ETA Mar'16	NEW	6,272	6,710	10,735
X63037	Profile Men, 0.5mm, Black, XS-XL		3,281	3,510	5,615
X63336	Profile Men, 0.5mm, Black/Blue/Grey, S-XXXL	Reduced	2,421	2,590	4,145
X63436	Profile Men, 0.5mm, Blk/Gry/Wht, XS-XL		3,921	4,195	6,715
X63240	Profile Shorty 2.5mm - Men, Black/Blue/Grey S-XXXL	Reduced	2,336	2,500	3,950
X64528	Tradewind shorty Men - Black, XS-XXL	Reduced	1,393	1,490	2,290
X63276	Profile Men, 3mm, Black/Blue/Grey, XS-XXXL		5,860	6,270	10,030
X63254	Everflex Steamer Men, 3mm, Black/Grey, w. zippers, XS-XXL	Reduced	5,140	5,500	7,990
X63306	Everflex Steamer Men, 3mm, Black/Grey, no W/A zippers, XS-XXL	Reduced	5,692	6,090	9,990
X63353	Everflex Steamer Men, 3mm, Black, no W/A zips, XS-XXL		9,075	9,710	15,530
X63258	Everflex Steamer Men, 5/4mm, Black/Grey, w.zippers, XS-XXL	Reduced	7,000	7,490	7,990
X64468	Thermal Tec Men, 3mm, w. zippers, Black, XS-XXL		7,155	7,655	12,245
X64465	Thermal Tec Men, 5mm, w. zippers, Black, XS-XXL		8,748	9,360	14,970

Wetsuits for Ladies

X63784	Definition Women, 3mm,Black/Pink, XXS-L ETA Mar'16	NEW	6,272	6,710	10,735
X63346	Profile Women, 0.5mm, Black/Blue/Grey, XS-L		3,356	3,590	5,740
X63447	Profile Women, 0.5mm, Blk/Gry/Wht, XS-L		3,921	4,195	6,715

Equipment

ITEM #	DESCRIPTION	10+ excl. VAT	TRADE excl. VAT	TRADE incl. VAT	RETAIL incl. VAT
WETSUIT & LYCRA - SCUBAPRO					
Wetsuits for Ladies					
X63166	Profile Women, 3mm, Black/Blue/Grey, XS-XL	Reduced	3,271	3,500	5,900
X63277	Profile Women, 3mm, Black/Blue/Grey, w.zippers, XXS-L		5,860	6,270	10,030
X63257	Everflex Steamer Women, 3mm, Black/Red, w. zippers, XS-L	Reduced	5,140	5,500	9,150
X63356	Everflex Steamer Women, 3mm, Black/Red, no W/A zippers, XS-L	Reduced	5,692	6,090	9,990
X63354	Everflex Steamer Women, 3mm, Black/White, no W/A zips, XS-XXL ETA Mar'14		9,075	9,710	15,530
X64469	Thermal Tec Women, 3mm, w. zippers, Black, XS-L		7,155	7,655	12,245
X64464	Thermal Tec Women, 5mm, w. zippers, Black, XS-XL		8,748	9,360	14,970
Hoods & Vests					
X64061	S-Tek Hooded Vest 2.5/0.5mm, (Titanium metalite) XXS - XXXL		1,977	2,115	3,385
X64062	Scubapro Hooded Vest 2.5/0.5mm, XXS-XXXL		2,300	2,460	3,935
X67.242	Hood - Everflex 5/3mm, S-XL		1,150	1,230	1,970
WETSUIT & LYCRA - SUBGEAR					
G863.043.100	Rash Guard Amber Lady LS - XS		1,477	1,580	2,685
G863.043.200	Rash Guard Amber Lady LS - S		1,477	1,580	2,685
G863.043.300	Rash Guard Amber Lady LS - M		1,477	1,580	2,685
G863.043.400	Rash Guard Amber Lady LS - L		1,477	1,580	2,685
G863.043.500	Rash Guard Amber Lady LS - XL		1,477	1,580	2,685
G863.044.x00	Rash Guard Lady LS, XS-XL, Blue ETA Mar'2015		1,015	1,085	1,840
G863.046.x00	Rash Guard Lady LS, XS-XL, Pink ETA Mar'2015		1,015	1,085	1,840
G863.051.x00	Rash Guard Men LS, S-XXL, Grey w. White logo ETA Mar'2015		1,131	1,210	2,050
G863.052.x00	Rash Guard Men LS, S-XXL, White w. Grey logo ETA Mar'2015		1,131	1,210	2,050
G863.880.086	Wizard Rebel Rash Guard 86cm- Boys		608	650	1,105
G863.880.098	Wizard Rebel Rash Guard 98cm- Boys		608	650	1,105
G863.880.110	Wizard Rebel Rash Guard 110cm- Boys		608	650	1,105
G863.880.122	Wizard Rebel Rash Guard 122cm- Boys		608	650	1,105
G863.890.086	Harmony Rebel Rash Guard 86cm - Girls		608	650	1,105
G863.890.098	Harmony Rebel Rash Guard 98cm - Girls		608	650	1,105
G863.890.110	Harmony Rebel Rash Guard 110cm - Girls		608	650	1,105
G863.890.122	Harmony Rebel Rash Guard 122cm - Girls		608	650	1,105
G863.881.086	Wizard Rebel Rash short pants 86cm- Boys		608	650	1,105
G863.881.098	Wizard Rebel Rash short pants 98cm- Boys		608	650	1,105
G863.881.110	Wizard Rebel Rash short pants 110cm- Boys		608	650	1,105
G863.881.122	Wizard Rebel Rash short pants 122cm- Boys		608	650	1,105
G863.892.086	Harmony Rebel Rash short pants 86cm - Girls		608	650	1,105
G863.892.098	Harmony Rebel Rash short pants 98cm - Girls		608	650	1,105
G863.892.110	Harmony Rebel Rash short pants 110cm - Girls		608	650	1,105
G863.892.122	Harmony Rebel Rash short pants 122cm - Girls		608	650	1,105
G863.860.086	Rebel steamer skin suit back zip -86cm, Boy, Blue		1,332	1,425	2,420
G863.860.098	Rebel steamer skin suit back zip -98cm, Boy, Blue		1,332	1,425	2,420
G863.860.110	Rebel steamer skin suit back zip -110cm, Boy, Blue		1,332	1,425	2,420
G863.860.122	Rebel steamer skin suit back zip -122cm, Boy, Blue		1,332	1,425	2,420
G863.870.086	Rebel steamer skin suit back zip -86cm, Girl, Pink		1,332	1,425	2,420
G863.870.098	Rebel steamer skin suit back zip -98cm, Girl, Pink		1,332	1,425	2,420
G863.870.110	Rebel steamer skin suit back zip -110cm, Girl, Pink		1,332	1,425	2,420
G863.870.122	Rebel steamer skin suit back zip -122cm, Girl, Pink		1,332	1,425	2,420
OTHER SCUBAPRO PRODUCTS					
X50.582.000	Scubapro Microfiber Towel - Large (160cm x 80cm), Grey		1,127	1,205	1,930

Equipment

ITEM #	DESCRIPTION	10+ excl. VAT	TRADE excl. VAT	TRADE incl. VAT	RETAIL incl. VAT
WETSUIT ACCESSORIES					
SAH06	Universal Hanger Saekodive - B, K, Y		234	250	500
LIFE VESTS					
DBL309-XS	Lifevest Junior XS	268	298	319	640
DBL309-S	Lifevest Junior S	294	326	349	700
DBL302-M	Lifevest Adult M	332	369	395	790
DBL302-L	Lifevest Adult L	370	411	440	880
DBL302-XL	Lifevest Adult XL	416	463	495	990
DBL302-XXL	Lifevest Adult XXL	471	523	560	1,120
FIRST AID & OXYGEN KITS					
MO2Kit	Oxygen Field Kit including: 1 pressure reducer, 1 demand valve w. hose, 2 flow restrictors, 1 Adaptor, 1 pocket mask, 1 constant flow mask w. reservoir, 1 transport bag		20,552	21,990	***
DA1016	Laerdal Little Anne Manikin		16,879	18,060	27,090
DA1018	Laerdal Little Junior Manikin	NEW	16,402	17,550	26,325
DA1017	Laerdal Baby Little Anne Manikin		12,094	12,940	23,940
D020300	Laerdal Airway Complete, Little Anne		290	310	570
TRAINER2	Laerdal AED Trainer2		48,846	52,265	96,685
AED-ANNIE	Laerdal AED Anne		34,823	37,260	68,930
DA1015	Non-rebreather mask		248	265	525
SAR10	CPR Pocket size Resuscitator Mask (L)		276	295	545
SAR20	CPR Pocket size Resuscitator Mask (S) w/Key Ring		117	125	230
LOG BOOKS & LOG INSERTS; GUIDE BOOKS					
DB8005	Cordura Log Binder "Dive Log"		262	280	555
DB8005-C	Cordura Log Binder ".....your logo....." Binder only, add cost logo		262	280	510
DB8006	Cordura Log Binder "Dive now,,,work later"		262	280	555
DB8007	Cordura Log Binder "Born to dive...forced to work"		262	280	555
DBS9010	Divers Logbook 12 x 15cm		52	56	100
DBS9011	Divers Logbook 14.5 x 20.5cm		94	101	190
DBS9020	Logbinder Inserts "Logpage"		52	56	100
MARINE GUIDES & FISH - ID CARDS					
K1105	Indian Ocean Reefguide (E)	No VAT	1,449	1,449	1,995
K1106	Indian Ocean Reefguide (G)	No VAT	990	990	1,485
K1117	Nudibranchs of the Worlds (E)	No VAT	1,790	1,790	2,450
K1121	Seahorses and their Relatives	No VAT	1,499	1,499	1,995
K1125 E	Asia Pacific Reefguide (E)	No VAT	990	990	1,485
K1129	Whale & Dolphins World Guide (E)	No VAT	350	350	950
K1130	Whale & Dolphin World Guide (G)	No VAT	350	350	950
K1131	Fish Guide South East Asia	No VAT	490	490	950
MPD01	Guidebook - Similan Islands (Pocket Divesite)	No VAT	880	880	1,200
MPD02	Guidebook - South Andaman (Pocket Divesite)	No VAT	880	880	1,200
M21001	Fish Card - Fish & Nudibranchs		101	112	250
M21002	Fish Card - Fish & Corals		101	112	250
OTHER SLATES					
DBWR1	Slate w. quick connector & pencil 15cm x 13cm		141	150	300
SAW13	Slate A4 Size		290	310	615
SAW15	3 Page Wrist Slate		346	370	735
TSL-19-Y	Slate & Graphite Pencil		337	360	720
TSL-13-Y	Graphite Pencil		164	175	345
PELICAN MICRO CASES w/o FOAM (L x W x H)					
N1010	Micro Case 11.2 x 7.4 x 4.2 cm - B, K, R, Y		547	585	880
N1020	Micro Case 13.6 x 9.2 x 4.2 cm - B, K, R, Y		720	770	1,155
N1030	Micro Case 16.5 x 7.0 x 5.2 cm - B, K, R, Y		753	805	1,205

Equipment

ITEM #	DESCRIPTION	TRADE excl. VAT	TRADE incl. VAT	RETAIL incl. VAT
PELICAN MICRO CASES w/o FOAM (L x W x H)				
N1040	Micro Case 16.6 x 10.0 x 4.4 cm - B, K, R, Y	809	865	1,295
N1050	Micro Case 16.6 x 10.0 x 6.9 cm - B, K, R, Y	856	915	1,370
N1060	Micro Case 21.4 x 11.2 x 5.7 cm - B, K, Y	1,029	1,100	1,650

PELICAN CASES WITH FOAM INSERT (L x W x H)				
N1120	Case 21 x 16,5 x 9 cm	1,580	1,690	2,535
N1150	Case 23.5 x 20 x 11.5 cm	1,837	1,965	2,945
N1170	Case 26.8 x 15.3 x 8 cm	2,360	2,525	3,785
N1200	Case 27 x 25 x 12.5 cm	2,543	2,720	4,075
N1300	Case 27 x 25 x 18 cm	3,047	3,260	4,890
N1400	Case 33 x 30 x 15 cm	4,683	5,010	7,510
N1450	Case 40 x 33 x 18 cm	5,949	6,365	9,550
N1490CC#2	Computer Attache Case Deluxe 48 x 35 x 12 cm	10,267	10,985	16,475
N1500	Case 47 x 39 x 17.5 cm	6,930	7,415	11,120
N1510	Case 55 x 35 x 23 cm	9,870	10,560	15,835
N1520	Case 49 x 39.5 x 19 cm	7,585	8,115	12,170
N1550	Case 52 x 42.5 x 21.5 cm	8,561	9,160	13,740
N1560	Case 55 x 45 x 26 cm	10,248	10,965	16,450
N1600	Case 59 x 53 x 23 cm	10,122	10,830	16,245
N1610	Case 40 x 62 x 49 cm	13,099	14,015	21,020
N1620	Case 62 x 49 x 35 cm	14,258	15,255	22,880
N1650	Case 80 x 53 x 29 cm	14,800	15,835	23,755
N1660	Case 80 x 58 x 48 cm	19,552	20,920	31,380
N1750	Long Case 135 x 41 x 16 cm	14,309	15,310	22,965

Foam: If ordered seperately (not together with case)

N1151	3-Piece Foam Set only for N1150	500	535	800
N1201	3-Piece Foam Set only for N1200	781	835	1,250
N1401	3-Piece Foam Set only for N1400	1,281	1,370	2,055
N1751	3-Piece Foam Set only for N1750	3,496	3,740	5,610
N1491	2-Piece Foam Set only for N1490CC#2	2,029	2,170	3,255
N1521	3-Piece Foam Set only for N1520	2,309	2,470	3,705
N1506TSA	Pelican Cable Padlock	524	560	840

DRYBAGS

S7114-S	Dry bag with Velcro closure 12 x 18cm	61	65	130
S7114-M	Dry bag with Velcro closure 18 x 25cm	75	80	160
S7114-L	Dry bag with Velcro closure 25 x 33cm	103	110	220

DBBA01	Adventure Dry Pouch 1.5 L (w. snap-on clip) - Orange, Citrus, Sky Blue	140	150	260
DBBA03	Adventure Dry Pack 3 L. (incl. shoulder strap) - Ci, B, BL, O, Pi, Pu, R, Y	224	240	410
DBBA05	Adventure Dry Pack 5 L. (incl. shoulder strap) - Ci, B, BL, K, O, Pi, Pu, R, Y	243	260	440
DBBA10	Adventure Dry Pack 10 L. (incl. shoulder strap) - Ci, B, BL, K, O, Pi, Pu, R, Y	290	310	520
DBBA15	Adventure Dry Pack 15 L. (incl. shoulder strap) - Ci, B, BL, K, O, Pi, R, Y	393	420	690
DBBA20	Adventure Dry Pack 20 L. (incl. shoulder strap) - B, K, R, Y	430	460	750
DBBA30	Adventure Dry Pack 30 L. (incl. 2 shoulder straps) - B, K, R, Y	533	570	890
DBBA40	Adventure Dry Pack 30 L. (incl. 2 shoulder straps) - B, K, R, Y	560	599	990

DB8205	Ocean Bag 5 L. (incl. shoulder strap) - B, G, K, L, O, Pi, Pu, R, W, Y	243	260	440
DB8210	Ocean Bag 10 L. (incl. shoulder strap) - B, G, K, L, O, Pi, Pu, R, W, Y	290	310	520
DB8215	Ocean Bag 15 L. (incl. shoulder strap) - B, G, K, L, O, Pi, R, W, Y	393	420	690
DB8220	Ocean Bag 20 L. (incl. shoulder strap) - B, G, K, L, R, Y	430	460	750
DB8230	Ocean Bag 30 L. (incl. shoulder strap) - B, K, R, Y	533	570	890
DB8240	Ocean Bag 40 L. (incl. shoulder strap) - B, K, R, Y	560	599	990

DB8200-S	Strap for Dry Bag 1" wide (2.5cm)	47	50	90
DB8200-L	Strap for Dry Bag 1.5" wide (3.8cm)	51	55	99

DBNSMP	Deep Blue Waterproof Bag for Smartphone	215	230	460
DBNCA-L	Deep Blue Waterproof Bag for Camera, Large	224	240	450
DBNCA-S	Deep Blue Waterproof Bag for Camera, Small	173	185	370
DBNEARP	Deep Blue Waterproof Earphone w Microphone	140	150	290
DBNEARP2	Deep Blue Waterproof Earphone w/o Microphone	89	95	190

Equipment

ITEM #	DESCRIPTION	TRADE excl. VAT	TRADE incl. VAT	RETAIL incl. VAT
BAGS - DEEP BLUE				
DB8001	Regulator Bag "Dive Supply"	360	385	720
DB8010	Gearbag, big size - B, K	435	465	870
DB8020	Gearbag, oversize 90 Liter - B, K, R	524	560	943
DBBL3176	Mesh Gearbag 63cm - Black	552	590	995
DB8044	Document Pouch Splashproof A4	117	125	234
DB8044-C	Doc. Pouch Splashproof ...your logo..." *Pouch only, add logo cost*	117	125	234
DB8004	Safety Balloon Bag "Dive Supply"	75	81	150
DB8040	Snorkeling bag	370	395	740
DB8063	Meshbag with String (Mask & Snorkel)	36	39	72
DB8065-B,Y	Mesh Bag for Mask + Snorkel Set - B, Y	62	67	124
DB8066-B	Bag for Mask + Snorkel + Fin Set - B	103	110	206

BAGS - SEAC SUB				
B3801	Bag Mate 550 Trolley	7,954	8,510	12,765
B3802	Bag Flight HD Trolley	5,617	6,010	9,015
B3805	Bag Mate 2.5 HD	4,276	4,575	6,860
B3803	Bag Mate 300 HD	1,743	1,865	2,800
B3804	Bag Mate 200 HD	1,884	2,015	3,025

BAGS - SCUBAPRO						
X53.295.510	Back Pack - Black Edition	Reduced	1,729	1,850	2,780	
X53.380.720	Tech Bag		958	1,025	1,535	
X53.381.140	Dive Computer / Instrument Bag		309	330	490	
X53.120.120	Mesh Bag		1,729	1,850	2,770	
X53.370.220	Mesh Sack		1,314	1,405	2,105	
X53.350.120	Caravan Bag		6,015	6,435	9,655	
X53.360.120	Dive-n-roll Bag		7,804	8,350	12,525	
X53.03x.200	Dry Bag w. shoulder strap - small 15L (20cm x 48cm) - B, Pi, W, Y		1,019	1,090	1,630	
X53.03x.300	Dry Bag w. shoulder strap - big 25L (24cm x 60cm) - B, Pi, W, Y		1,253	1,340	2,010	
X53.310.120	Porter Bag		4,449	4,760	7,135	
X53.365.150	Cabin Bag	NEW	3,856	4,125	6,190	
X53.630.150	Scubapro Travel Bag	ETA June'2015	NEW	5,393	5,770	8,655
X53.200.100	Scubapro Travel Kit	ETA June'2015	NEW	720	770	1,155
X53.200.110	Scubapro Passport Holder	ETA June'2015	NEW	426	455	680

BAGS - SUBGEAR						
G853.309.014	Regulator & Computer Bag - 9L		818	875	1,315	
G853.379.014	Boat Mesh Bag - 84L		1,029	1,100	1,650	
G853.100.710	Compression Bag w. Transparent Panel - 10L	Reduced	645	690	1,025	
G853.100.600	Waterproof Duffelbag	Reduced	1,595	1,707	2,500	
G853.329.015	Apnea Beach Bag, for S1/S2 fins	NEW	1,529	1,635	2,450	
G853.339.015	Maxi Dri Bag ,w shoulder harness	ETA Mar'2015	NEW	1,944	2,080	3,120

LIFT BAGS					
TLS10	Lift Bag 25 Kg (w/o dump valve)		1,510	1,615	2,420
TLS15	Lift Bag 35 Kg (w. dump valve)		2,187	2,340	3,510
TLS20	Lift Bag 75 Kg (w. dump valve)		2,795	2,990	4,485
B1900	Lift Bag Seac Sub 100kg		7,823	8,370	12,555
B1910	Lift Bag Seac Sub 200kg		8,944	9,570	14,355

CAMERAS - SNAP SIGHTS						
MSS04	Reusable Sports, waterproof 10m / 25ft		286	318	340	595

Films & Accessories					
MSS400K	Kodak Film 400 ASA / 36 Exp.		164	176	350

Equipment

ITEM #	DESCRIPTION	TRADE excl. VAT	TRADE incl. VAT	RETAIL incl. VAT
CAMERAS - INTOVA				
MSSP10K	10.0 MP Compact Digital Camera with 40m waterproof housing	3,043	3,255	4,880
MSSIC16	16.0 MP Digital Sports Camera with 60m waterproof housing	6,879	7,360	11,040
MSSP1EDGE X	EDGE X (waterproof 1080p 60fps, wireless file transfer, wi-fi) COMING SOON!!	9,538	10,205	15,305
MSSSP1HDE	Sport HD EDGE Digital Camera (waterproof, 1080p WiFi)	7,706	8,245	12,370
MSSP1CONNEX	CONNEX (waterproof 1080p with HD hardwire port)	6,879	7,360	11,040
MSSP1NOVA	NOVA HD Digital Camera (waterproof 1080p with RF remote)	5,996	6,415	9,620

Intova Camera Accessories

MSSAVL	Action Video Light 640 Lumens, Thermo Smart control, waterproof to 60m	NEW	3,613	3,865	6,960
MSSP1-CS	Chest Strap for Sport Pro	814	870	1,565	
MSSP1-HBM	Bar/Pole Mount for Sport Pro	725	775	1,390	
MSSP1-HELM	Helmet Mount w.Strap & Quick Release, for Sport Pro	711	760	1,365	
MSSP1-HELMT3	Helmet Mount 3	454	485	870	
MSSP1-IFRED	Red Filter for Sport Pro, Nova, Edge	1,057	1,130	2,030	
MSSSPUV	UV protective filter for SP1	468	500	900	
MSSSPND2	Neutral density filter-2 stops	622	665	1,195	
MSSP1-SCM	Suction Mount for Sport Pro	421	450	810	
MSSP1-SURF	Surfboard Mount for Sport Pro	678	725	1,305	
MSSSP-PM	Surfboard FCS Plug Mount	356	380	680	
MSSP1-INTPOD	Intova Pod	543	580	1,045	
MSSP1-ADMT	Adhesive Mount	421	450	810	
MSSP1-CHS	Camera Hand Strap	463	495	885	
MSSP1-TTM	Tripod to Tripod Mount	300	320	575	
MSSP1-SSTKR	Silica Sticker 5 pack	211	225	405	
MSSP1-CUC	Camera U Connector	272	290	520	
MSSSP1-BT	Sport HD Base Tray (Base Tray Handle with Tripod Mount Screw)	636	680	1,220	
MSSTMA	Tripod Mount Adapter (allows SP1 to use GoPro mounts)	290	310	555	
MSSP1EXT	Extension Pole for SP1	954	1,020	1,830	
MSSP1EXTC	Compact Extension Pole for SP1	NEW	865	925	1,665
MSSP1COL	Lens Port Rings for SP1, Set of 4 different colors	211	225	405	
MSSPHDEBAT	Sport HD EDGE Battery	NEW	547	585	1,050

Other Accessories

MSSFMG01	Floating Multi Grip	589	630	1,135	
MSSWALens	Underwater Wide Angle Lens	4,412	4,720	8,495	
MSSIFRED52	Intova Red Filter 52mm - IC16 & IC14	1,024	1,095	1,975	
MSSCCK	Camera Care Kit	482	515	930	
MSSWBWB	White Balance Wristband	543	580	1,045	
MSSIGEL	Silica Beads - 5 pack	201	215	380	
MSSTKR	Silica Sticker - 5 pack	NEW	201	215	380
MSSISS4000	Intova Strobe Kit w.Flex Arm 30 & Base Stay	5,164	5,525	9,945	
MSSIFD-IC14	Flash Diffuser IC16, IC14	201	215	380	
MSSIC-O.....ring	O-ring Set for IC500,600,700,800,SP8,CP9,IC12,14	164	175	310	
MSSFL	StaySlim w/ Flex Arm	1,304	1,395	2,510	
MSSIC14BAT	IC16 & IC14 Battery	958	1,025	1,840	

WATERPROOF LIGHTS

DEEP BLUE

DBBRDIV02	Deep Blue "Lance" Light, Cree LED, 60-80m, 3 x AA, 550 Lumens	1,557	1,665	2,995
DBBRDIV03	Deep Blue "Stubbie" Light, Cree LED, 150-200m, 3 x AA, 550 Lumens	2,286	2,445	4,395

TOVATEC

MSSTORCH-HL1	Tovatec Sea Squirt Torch, 5 LEDs, 4 x AAA	234	250	450	
MSSIMINI	Tovatec Mini Torch, 300 Lumens, 2 x CR123	1,720	1,840	3,310	
MSSICOM	Tovatec Aluminium Compact Torch, 230 Lumens, 3 x AAA	1,281	1,370	2,465	
MSSIFL-WAZOOM	Tovatec Aluminium Torch, 300 Lumens, Wide Angle, 2 x CR123	2,024	2,165	3,900	
MSSITAC	Tovatec Tactical Light, 220 Lumens, 2 x CR123	1,856	1,985	3,575	
MSST2000	SportTac 2000 Zoom Torch, 220 Lumens, Rechargeable	NEW	1,449	1,550	2,790
MSSULTRA	Tovatec Ultra Waterproof Torch, 500 Lumens	2,019	2,160	3,890	
MSSIFL660R	Tovatec 660-R w. rechargeable battery option	NEW	1,715	1,835	3,300
MSSGVL	Tovatec Galaxy Video/Flashlight 2,500 Lumens, Rechargeable	10,781	11,535	20,760	
MSSAOZ	AuroraVideo/Flashlight 2,500 Lumens, Rechargeable	NEW	10,781	11,535	20,760
MSSSL1	Search Light, 800 Lumens	3,412	3,650	6,565	
MSSTA6	Torch Adaptor	272	290	525	

Equipment

ITEM #	DESCRIPTION	10+ excl. VAT	TRADE excl. VAT	TRADE incl. VAT	RETAIL incl. VAT
WATERPROOF LIGHTS					
TOVATEC Parts					
MSSZ001	Replacement Switch for ICOM	NEW	398	425	765
MSSZ002	Battery Holder for ICOM	NEW	243	260	465
MSSZ004	Battery Holder for ULTRA	NEW	243	260	465
AQUATEC					
U1700LED	Aqua-No.1 LED Headlight, incl. lanyard & clip (1 x AAA battery)		599	640	1,150
U2640LED	Aqua-Star LED Torch 230 Lumens		1,823	1,950	3,510
U3200LED	Aqua-Lumen LED Torch 230 Lumens (3 x C-cell) - B, G, K, R, W, Y		1,538	1,645	2,965
U3250LED	Aqua-Lumen Alum. LED Torch 230 Lumens (3 x C-cell; burntime ~50 hrs)		2,519	2,695	4,850
TRIDENT					
TDL05	Strobe Light "Trident"		1,258	1,345	2,415
TDL82	Strobe Module Replacement		762	815	1,465
SCUBAPRO					
X30.220.150	Nova 700R Light w/o batt, 700 Lu, 300m, rechargeable (1 x 18650)	NEW	4,356	4,660	7,460
X30.220.000	Nova 700 Light w/o batt, 700 Lu, 300m (3 x C-cell)	NEW	4,617	4,940	7,905
M18650BAT	Rechargeable Battery for NOVO 700R	NEW	841	900	1,250
M18650CHR	Battery Charger for NOVO 700R	NEW	332	355	495
Batteries					
MSSIT123	Panasonic CR123 Lithium 3.0V 14000MA Batteries		122	131	165
MAA4	Energizer MAX AA Battery (4Pack)		61	66	85
MAAA4	Energizer MAX AAA Battery (4Pack)		61	66	85
XZ27.730.107	Battery CR2032 - Xtender/Meridian		211	226	285
KNIVES - SAEKODIVE & OTHER					
S3006	Dive Knife, 304 Stainless Steel Blade 14cm		790	845	1,690
S3006T	Dive Knife, Titanium Blade 13.8cm, sharp tip		1,851	1,980	3,955
S3007	Knife w/plastic sheath for BCD, Blade 8cm, sharp tip - B, C, G, K, Y		412	440	875
S3008	Folding Knife, Blade 10cm		402	430	860
S3008T	Folding Knife Titanium, Blade 10cm, blunt tip		1,089	1,165	2,325
S3009	BCD Knife, 304 Stainless Steel Blade 8cm, mount on hose or BCD		444	475	950
S3113	Dive Knife, 304 Stainless Steel Blade, 12cm - Gy, K		921	985	1,965
S3113T	Diving Knife Titanium, sharp tip		2,015	2,155	4,310
SAS11N	Sea Snip w. Nylon Sheet		272	290	580
SAC03	Line Cutter incl. two extra blades		187	200	395
SAH12	Nylon Sheath for Knife S3008		150	160	315
KNIVES - SCUBAPRO					
X32022	Mako Knife 8.5cm - Titanium		2,828	3,025	4,840
X32023	Mako Knife 8.5cm - S. Steel		1,697	1,815	2,900
X32002	White Tip Knife 6.5cm - S.Steel		1,505	1,610	2,575
X32065	Mesh Cutter		1,879	2,010	3,210
X23.120.000	BCD Accessory kit		4,155	4,445	7,115
SIGNALLING DEVICES					
UAH150-01	Sub Alert, standard fitting (surface and U/W)		1,038	1,110	1,770
UAH380-01	Duo Alert (Surface&Underwater) Standard Fitting		1,234	1,320	2,110
SAW10	High-Pitch Whistle		141	150	295
SAW11	Whistle standard		22	24	45
TD611	"Wind Storm" whistle - K, O, Y		243	260	520
TDA14	SOS Whistle		86	91	185
TTA20	Tank Banger - B, G, K, Pl, Y		262	280	560
DB6700	U/W-Rattler, Aluminium - B, G, K, Y		458	490	980
SAL-73	LED Flash Light (Strobe Light) Green		215	230	410
SAT-29	Underwater Pointer		295	315	535

Equipment

ITEM #	DESCRIPTION	TRADE excl. VAT	TRADE incl. VAT	RETAIL incl. VAT
SURFACE MARKERS				
DB6690	Safety Balloon, 2m long	148	164	350
DB6691	Safety Balloon with Bag	194	215	460
DBS30	Diver Surface Float yellow w. flag		458	890
DBSM01	Deep Blue Pocket Rescue Marker		673	1,250
DBSM02	Deep Blue Rescue Marker with Webbing & Bag		1,065	1,990
DBSM03	Deep Blue Webbing Strap for Rescue Marker		514	995
DBSM04	Deep Blue Rescue Marker without Webbing		738	1,360
X40.093.000	Scubapro Marker Buoy w. Holster		1,075	2,070
X40.092.500	Scubapro Sealed Marker Buoy w. Holster, Orange		2,229	4,295
SB-06	Saekodive Survival Sausage w. Pouch		1,342	2,870
B37001	SEAMATE inflatable surface/rescue float		3,430	6,605

MOUTHPIECES ETC.

S1763	Mouldable Mouthpiece - Silicone w/Bridge - Clear, Black		314	335	670
S1063	Mouthpiece Rubber		42	45	90
S1363S	Mouthpiece Clear Silicone, Small Size		64	69	140
S1463S	Mouthpiece Clear Silicone w. Dots		64	69	140
S1463KS	Mouthpiece Black Silicone w. Dots		64	69	140
S1163S	Mouthpiece Clear Silicone w/Bridge		89	95	185
S1163KS	Mouthpiece Black Silicone w/Bridge		89	95	195
S1663KS-O	Mouthpiece Silicone Black/Orange		113	120	240
S1663KS-Y	Mouthpiece Silicone Black/Yellow		113	120	240
S1563S	Mouthpiece Clear Silicone long bite		98	105	210
S1563KS	Mouthpiece Black Silicone long bite		98	105	210
SAM-01	Mouthpiece cover Octoholder - G, Y		73	79	160
SAM-02	Mouthpiece cover round - G, Y		73	79	160
SAM-04	Mouthpiece holder for Regulator - Y		56	60	120
SAM-05	Mouthpiece holder for Comfi-Bite - O		56	60	120
S1052MS	Snorkel mouthpiece Silicone		80	86	175
S1052MR	Snorkel mouthpiece Rubber		46	50	100
S1156MS	Snorkel mouthpiece Silicone		127	135	265
S1156MR	Snorkel mouthpiece Rubber		84	90	180
S1052MP	Mouthpiece for SMP2 Snorkel, PVC	Reduced	19	20	40
S1156MP	Mouthpiece for SMP3 Snorkel, PVC	Reduced	19	20	40
S056S+P2C+P2S	Snorkel Base Part and Mouthpiece Silicone for S1156		145	155	310
XZ01.040.120	Mouthpiece Scubapro, black Silicone Supercomfort		262	280	560
XZ01.040.051	Mouthpiece Scubapro, Silicone Supercomfort, w. reusable clip		318	340	675
XZ01.040.131	Mouthpiece Scubapro, Vinyl (extra durable)		136	145	290
XZ01.040.705	Mouthpiece Scubapro, Escape Snorkel, Silicone		136	145	290
XZ01.040.025	Reusable Clip Scubapro		89	96	190
M99	Cabletie Pack of 100 pcs.		136	145	285
TSA83	Tie strap installation gun		1,687	1,805	3,610

STRAPS & BUCKLES ETC.

BS75106	Buckle Male 25mm		50	54	110
BS75107	Buckle Female 25mm		73	79	160
BS75073	Buckle Male 40mm		50	54	110
BS75074	Buckle Female 40mm		73	79	160
BS75075	Buckle Male 50mm		63	68	135
BS75076	Buckle Female 50mm		87	94	190
B50902	Springstrap for Propulsion - S/M, M/L, L/XL (1 Piece)		454	485	965
B50801	Springstrap for Propulsion - XS/S, S/M, M/L, L/XL (1 Piece)		781	835	1,665
DBF770Kit	Strap Kit for F770 Fin (1 Strap, 2 Buckles)		96	103	205
DBF770BUCKLE	Fin Buckle for SF770		37	40	80
DBF770STRAP	Fin Strap for SF770		40	43	90
DBZ50	Fin Strap for Speed3 (Adult/Junior, same size)		66	71	140
DBZ51	Fin Buckle Speed3 (1 buckle, 2 parts) L or R		20	22	45
DBZ52	Strap Kit for Speed3 Fin (1 Strap, 2 Buckles)		104	112	225
S271	Quick release Fin Buckle - Black/ 1 Piece		58	63	125
S1075	Fin Strap, Rubber / 1 Piece		82	88	175
SA004A	Fin Strap Jet Fin "Saekodive" / 1 Piece		82	88	175

Equipment

ITEM #	DESCRIPTION	10+ excl. VAT	TRADE excl. VAT	TRADE incl. VAT	RETAIL incl. VAT
STRAPS & BUCKLES ETC.					
S1175	EZ Spring Fins Strap w. Buckles / Pair Saekodive, S-XL		781	835	1,665
S1775	EZ Spring Fins Strap w. Buckles / Pair Saekodive, S-XL	NEW	720	770	1,535
S1275	EZ Spring Fins Strap w. Clip / Pair Saekodive, S-XL		687	735	1,470
S1875	EZ Spring Fins Strap w. Clip / Pair Saekodive, S-XL	NEW	580	620	1,240
BZ07001	SPRINT Fin Strap SEAC, 1 pce, XXS/S		225	240	480
BZ07002	SPRINT Fin Strap SEAC, 1 pce, S/XL		225	240	480
BZ512	PROPULSION/VELA Fin Strap SEAC		253	270	540
BZ513	PROPULSION/VELA Fin Buckle SEAC		183	195	390
XZ25.350.102	Jet Fin - Rubber strap		183	195	390
XZ01.080.001	Jet Fin - Metal Buckle		107	115	230
XZ25.350.105	Jet Fin - Metal Pin		74	80	160
XZ25.071.005	Twin Jet - Buckle Strap/Kit - 1 strap & 2 Buckles (no pins)		449	480	960
XZ25.075.000	Twin Jet - Buckle/Strap Kit - 2 straps, 4 buckles & 4 pins		1,085	1,160	2,315
XZ25.075.010	Twin Jet - Buckle female rotational		74	80	160
XZ01.075.119	Twin Jet - Metal Pin		74	80	160
XZ25.076.005	Twin Speed - Buckle/Strap Kit (1 strap & 2 Buckles)		491	525	1,050
XZ25.078.000	Twin Jet Max - Buckle/Strap Kit (1 strap & 2 Buckles)		510	545	1,085
XZ25.061.031	Twin Jet / Twin Speed / Veloce - Male Buckle		74	80	160
X25.878.101	Strap Buckle Assy - Jet Sport Fins XS / S		351	375	745
X25.878.103	Strap Buckle Assy - Jet Sport Fins MS / L / XL		351	375	745
XZ25.365..	Spring Heel Straps for Jet Fin, M, L, XL, XXL (Pair)		1,183	1,265	2,525
S1072	Mask Strap 20mm - Rubber		73	79	160
S1073S	Mask Strap 20mm - Silicone		99	106	215
S1074S	Mask Strap 20mm Clear Silicone for Mask SMM107		100	107	215
S1074KS	Mask Strap 20mm Black Silicone for Mask SMM107		100	107	215
S1079S	Mask Strap 17mm Clear Silicone for Mask SMM105		78	84	170
S1079KS	Mask Strap 17mm Black Silicone for Mask SMM105		78	84	170
SMM107-Buckle	Buckle for mask SMM107KS (complete incl. pins) per side (L or R)		51	55	110
SMM107-Pin	Small Metal Pin for buckle of mask SMM107		16	18	35
DBZ30	Mask Strap 16mm Clear Silicone for UNO Mask		83	89	180
DBZ31	Mask Strap 16mm Black Silicone for COVERT Mask		83	89	180
DBZ32	Mask Strap 16mm Black Silicone for BALI Mask		93	100	200
DBZ33-C	Mask Strap 22mm Clear Silicone for BORA Mask		99	107	215
DBZ33-KS	Mask Strap 22mm Black Silicone for BORA Mask		99	107	215
DB6688	Neoprene Mask Strap with Velcro strap (w/o Print) KK, KB, KR, KY		92	102	110
DB6688-1	Neoprene Mask Strap with Velcro strap (with Print), KK, KB, KR, KY		96	107	115
DB6689	Neoprene Maskstrap Cover (w/o Print) - KK, KB, KY		87	97	104
DB6689-1	Neoprene Maskstrap Cover (with Print) - KK, KB, KY		87	97	104
XZ24.855.001/2	Buckles for Crystal Vu (per pair) new version	NEW	328	350	695
XZ24.999.102	Buckles for Clear Vu2 / Crystal Vu (per side) orig. model		127	135	265
XZ24.847.001/2	Buckles for Spectra / Trinidad (per pair)- Clear, Black		290	310	620
G824.902.205	Mask Buckle - Pair (Zoom, Ecco)		150	160	320
G824.151.125	Mask Strap 16mm Black (Zoom)		150	160	320
G824.151.225	Mask Strap 16mm Clear (Zoom)		150	160	320
G824.151.205	Mask Strap Clear (Ecco)		150	160	320
XZ24.845.10x	Mask Strap for Spectra / Marin - Clear, Black		258	275	545
BZSTRAP1-K	Mask Strap for Iena, 16.5 mm, Black		225	240	480
TDA03-1	NECKZ Latex Eyewear Strap, K, O, Pi, Y		90	95	195
TDA03-6	NECKZ Latex Eyewear 6 Straps, K, O, Pi, Y		510	545	***
TDA02-72	NECKZ Latex Eyewear Display w. 72 Straps		5,968	6,385	***
TDA93-1	Eyeglass Holder Strap		99	106	215
TDA94-24	Eyeglass Holder Strap Display w. 24 Straps		2,113	2,260	***
S1077	Knife Strap - Rubber		92	99	195
S1077-2	Quick Release Knife Strap - Rubber		108	116	230
TWA39	Double Lock Velcroband 20mm		84	90	180
TDA69	Velcro Wrist Band with Flag		145	155	310
TKN02	Knife Strap with Spring Buckle		248	265	525

Equipment

ITEM #	DESCRIPTION	TRADE excl. VAT	TRADE incl. VAT	RETAIL incl. VAT
STRAPS & BUCKLES ETC.				
TWA33	Velcro Lock Strap 1' x 14' - B, K, Y	220	235	465
TWA53	Australian Outback Safety Watch Strap; 20mm, 22mm, 24 mm	402	430	860
VARIOUS MASK & SNORKEL PARTS				
S083	Mask Buckle Set - C, K	24	26	55
SHLT	Mask Strap Retainer	9	10	20
S1064	Snorkel holder Rubber, black	15	17	35
S1070	Snorkel holder PVC, clear	14	15	30
S1060	Snorkel holder Plastic	31	34	70
S1055	Snorkel Valve Membrane	9	10	20
DBS1	Plastic Mask Box	38	42	90
X26.021.002	Quick Clip Assembly Scubapro	113	120	240
DBZ01-K	Mask Strap Retainer for 22mm Strap - Black	6	7	15
DBZ02-K	Mouthpiece for J Snorkel - Black	64	69	140
DBZ03-C	Mouthpiece for J Snorkel - Clear	64	69	140
DBZ04-K	Curve Mouthpiece MANTA Snorkel - Black	27	29	60
DBZ05-C	Curve Mouthpiece SHARKY Snorkel - Clear	54	58	115
DBZ06	Mask buckle BORA 3 pce for 1 side only (L or R)	27	29	60
DBZ06-QR	QR Mask buckle set BORA PLUS, 6 pce (L & R)	54	58	115
DBZ07	QR Mask buckle & housing set FIJI, 2 pce (L & R)	54	58	115
DBZ08	Snorkel Holder - Black	17	19	35
DBZ09	Mask buckle set 'old' BALI 6 pce (L & R)	54	58	115
DBZ10	Mask buckle set MALIBU 6 pce (L & R)	54	58	115
DBZ10-QR	QR Mask buckle set MALIBU 6 pce (L & R)	54	58	115
DBZ11	Mask buckle set HAWAII MA56, 6 pce (L & R)	44	48	95
DBZ12-K	Mask buckle set MALIBU, SIMILAN, AZORES 2 pce (L & R)	18	20	40
DBZ14	Mask buckle set ANDAMAN 6 pce (L & R)	54	58	115
DBZ15	Mask buckle NEW BALI 2 pce asy (or 5 pcs) for 1 side only (L or R)	27	29	60
DBZ16	Mask buckle for 16mm stap (MAKO, HAWAII), 1 pce (L or R)	27	29	60
DBZ17	Mask buckle COVERT MC24, pair, 5 pce per side (L & R)	54	58	115
DBZ18	Mask buckle UNO MC25, pair, 5 pce per side (L & R)	54	58	115
DBZ13	Exhaust Valve, Clear Sillcone, for Snorkel MANTA	9	10	20
CLIPS, HOOKS, COILS ETC.				
S4002-95	Brass Clip small hook, S	113	120	240
S4003-88	Brass Clip small ring, S	98	105	210
S4002-120	Brass Clip large hook, L, 120mm	155	165	325
S4003-120	Brass Clip large ring, L, 120mm	159	170	335
SAC01A	Equip. Connector - Female end & Looped end	51	55	95
SAC01B	Equip. Connector - Swivel plastic hook & Looped end	63	68	135
SAC01C	Equip. Connector - M&F ends, Looped end & Swivel plastic hook	71	76	155
SAC01D	Equip. Connector - Octopus Holder	104	112	225
SAC01E	Equip. Connector - Fin Holder	113	120	240
SAC06	Magnetic Octopus Holder	398	425	850
SAC06A	Non-Magnetic Octopus Holder	342	365	725
SAS-12DF-5	Snap Hook Aluminium 50mm length	27	29	60
SAS-12DF-6	Snap Hook Aluminium 60mm length	31	34	70
SAS-12DF-7	Snap Hook Aluminium 70mm length	34	37	75
SAS-12DF-8	Snap Hook Aluminium 80mm length	41	44	90
S2450-80	Snap Hook Stainless Steel 80mm length	192	205	405
SS243-6	Stainless Steel Spring Hook 60mm length	122	130	260
SS243-8	Stainless Steel Spring Hook 80mm length	206	220	440
SS161-90	Double ended snap hook, 304 Stainless, 90mm	183	195	390
SS162-100	Double ended snap hook, 304 Stainless, 100mm	225	240	475
SS163-115	Double ended snap hook, 304 Stainless, 115mm	229	245	490
SS-225-92	Swivel bolt snap, 304 Stainless, 92mm	169	180	355
SAL21	Lanyard Saeko	38	41	80
TRP08	Deluxe Stretch Lanyard	136	145	290
TRP09	Camera Lanyard w/brass clip	201	215	430
TDF82	Reef Drift Diver J-Hook	365	390	775
SAR-0-2	Key Ring Stainless Steel	11	12	25

Equipment

ITEM #	DESCRIPTION	TRADE excl. VAT	TRADE incl. VAT	RETAIL incl. VAT
SEA SPRINGS				
THA82	Sea Spring Retainer Expands from 7.5' to 14.5 ft (19cm)	336	360	720
THA83	Sea Spring Retainer Expands from 9.5' to 18 ft (25cm)	467	500	1,000
THA84	Sea Spring Retainer Expands from 13" to 23 ft (34cm)	509	545	1,085

RETRACTORS, REELS ETC.				
SAR-0	Retractor - coil snap	276	295	590
SAR-03A	Retractor - auto lock	416	445	890
SAR-03C	Retractor 3m	486	520	1,035
SAR-13A	Small Retractor	318	340	680
SAR-13B	Small Retractor	318	340	680
SAR-13C	Small Retractor	318	340	680
URT-200	RT-200 Stainless Steel Retractor	398	425	850
SAR07	Regulator Necklace	173	185	370
SAR08	Quick Release Coil Lanyard - B, K	304	325	650
SAR09	Cable Wire Coil Lanyard	398	425	850
SAR06	Finger Reel Large, 45m nylon	454	485	965
SAR16	Finger Reel Medium, 30m nylon	430	460	915
SAR26	Finger Reel Small, 15m nylon	407	435	865
SAR04	Wreck Reel 90meter	1,085	1,160	2,315
SAR05	Wreck Reel w. auto stop 83m	1,225	1,310	2,620
SAR14	Wreck Reel 45meter	1,215	1,300	2,595
SAR15	Wreck Reel w. auto stop 45m	1,089	1,165	2,330
X40.122.000	Reel Multifunction, Scubapro, w. 80m line	3,131	3,350	6,695

BCD INFLATORS, HOSES, BACKPACKS ETC.				
UPI201	Power Inflator blue button	767	820	1,635
UPI208	Compact 2 Power Inflator yellow button	916	980	1,960
UCL201	Cam Lock	159	170	335
UOV181	Over Pressure Device	201	215	425
X20.135.005	Super Chinch Tank band Assy. Scubapro	1,454	1,555	3,105
UTP201	Tank Pack complete	1,239	1,325	2,650
UTB201	Tank Band Assembly	458	490	975
UNS234	Anti-Slip Pad for Tank Band	85	91	185
X01.030.118	Hose, corrugated 11", Scubapro Classic BCD	444	475	945
X01.030.113	Hose, corrugated 14", S'pro Ladyhawk,Nighthawk,Plus,Accent,Propac	444	475	945
X01.030.114	Hose, corrugated 16", Scubapro Classic Plus/Unlimited BCD	444	475	945
X01.030.117	Hose, corrugated slim 16", Scubapro Hawk, T-Series, Glide-Series	444	475	945
UBC38	BCD Buckle, Fastener Buckle	54	58	120
UOV1811	Pull Ball for Dump Valve	23	25	50
UNP01	Nipple for Inflator	88	95	190
MA59	Schrader Valve for Inflator	13	14	30
B75020	Corrugated Hose Seac Sub	767	820	1,635
B75038	Complete Quick Exhaust Unit	1,164	1,245	2,490
B75039	Inflator unit Seac Sub	1,426	1,525	3,050
B77454	Piston Power Inflator Unit Seac Sub	1,627	1,740	3,475
B75040	Complete Inflator Unit with corrugated hose	2,711	2,900	5,800
B55006	Overpressure Valve Seac Sub	463	495	990
XZ21.703	Bladder, T-One - XXS to XXL	6,846	7,325	10,990

WEIGHTBELTS ETC.				
S4001	Weightbelt Buckle plastic - K, Y	72	78	155
UBK 304	Weightbelt Buckle stainless steel, 2 slots	126	135	270
UBK 504	Weightbelt Buckle stainless steel, 3 slots	178	190	350
M1999-1.	Weightbelt webbing 1 meter - B, K, Y	33	35	70
M1999-1.4	Weightbelt webbing 1.4 meter - B, K, Y	47	50	100
M1998	Webbing roll (50m) - B, K, Y	1,393	1,490	2,490
SAW02	Weightbelt Saekodive with buckle, 1.45m, B, K, Y	365	390	775
DB5000	3-pocket soft weightbelt w/o buckle	276	295	590
DB5001	4-pocket soft weightbelt w/o buckle	299	320	640
B1971	Rubber Weightbelt SEAC w. stainless buckle, 1.3m	729	780	1,555
B198	Rubber Weightbelt SEAC w. nylon buckle, 1.3m	510	545	1,090

Equipment

ITEM #	DESCRIPTION	10+ excl. VAT	TRADE excl. VAT	TRADE incl. VAT	RETAIL incl. VAT
WEIGHTBELTS ETC.					
SAW03	Weightbelt keeper, plastic		13	14	30
SAW06	Weightbelt keeper, stainless	NEW	35	38	75
SAW07	Weightbelt keeper, stainless, corrugated edge	NEW	39	42	85
SS-928	D-Ring, stainless, 50mm for weightbelt	NEW	70	75	150
SS-929B	D-Ring, Bent, stainless, 50mm for weightbelt	NEW	73	79	160
SS103	Weightbelt keeper with D-Ring, stainless		122	130	260

WEIGHTS					
M6000-S	Lead weight, small 0.8kg		117	125	250
M6000-B	Lead weight, large 1.5kg		196	210	420

LUBRICANTS					
SAS03	Silicone Lube Container 15grm / 1/2oz.		59	64	130
TLP25	Zipper Lube Stick		101	109	220
TNT60	Christo Lube 129 Container 8grm / 1/4oz for Nitrox		253	270	535
SAS01	Silicone Lube Container 60grm / 2oz.		169	180	355
TLP27	Silicone Lube Pump 250grm / 8 oz.		243	260	515
TSA66	Silicone Lube Container 500grm / 16 oz		1,533	1,640	3,280
TNT79	Valve Silicone & Sealant Container 60grm / 2oz		309	330	655
TNT72	Christo Lube 129 Tube 62grm / 2oz for Nitrox		1,080	1,155	2,310
V629 044.3	Anti Seize AS040P, 120grm Plastic Can w. Brush		701	750	1,500

LIQUIDS & CLEANING SOLUTIONS					
TFA20	Dry Ear Solution for Swimmers/Divers Ear		197	210	415
TLP72	Fogshield Anti-Fog Spray		211	225	445
TLP81	Defog, 2oz. Bottle		131	140	280
TLP82	Defog, 8 oz. Bottle		272	290	580
TLP85	Fog Off Original		192	205	410
TLP89	TR17 Anti Fog		122	130	255
TLP80	Silicone Defog Spray 2oz.		201	215	425
TLP40	Wetsuit Cleaner / Conditioner		113	120	235
TLP42	Equipment Wash		164	175	345
TLP75	New Mask Cleaner 1oz.		164	175	350
TLP95	Mustache/Mask Sealer Stick		173	185	370
TLP84	Diveslate Cleaner		173	185	365
TSA65	Ultrasonic Solution (7 Pound Container)		2,884	3,085	***
TLP91	Sink the Stink 25 Units Refill		1,365	1,460	***
TLP911	Sink the Stink 1 Unit		58	63	125

MISCELLANEOUS - SWIVEL ETC.					
F1000V5593	HP-Swivel with O-rings		169	180	360
BS125004	HP-Swivel with disc and O-ring		141	150	300
SAS-16	360 Degree swivel for Regulator		809	865	1,730
SAD02	Dust Cap plastic, first stage		46	49	98
SAD01	Dust Cap rubber, first stage		39	42	83
TA143	Delrin Cap DIN 200 Bar		215	230	455
XZ10.101.211	Dust Cap Scubapro DIN first stage		155	165	325
XZ10.101.212	Dust Cap Scubapro INT first stage		155	165	325
BS2011	DIN Protection Cap Seac Sub		276	295	585

TOOLS & VARIOUS WORKSHOP NEEDS					
S7402	Multitool stainless steel with 12 Tools		440	470	935
S7407	Multitool stainless steel with 9 Tools	NEW	500	535	1,065
SAS12K	Saekodive Neoprene Glue, 90ml tube, Black	NEW	510	545	1,090
TPA60	Brite Mark Paint Marker - Black, Red, White, Yellow		192	205	405
TS105	Diver's Deluxe Tool Kit in zippered folder		944	1,010	2,015
LVTL115	BCD Repair Kit	NEW	603	645	970
MS30	Ultrasound Cleaning Device, made in Germany 2.75 Liter		33,119	35,438	47,840
SAL71	Flexible Inspection Lamp		767	820	1,640

Equipment

ITEM #	DESCRIPTION	TRADE excl. VAT	TRADE incl. VAT	RETAIL incl. VAT
TOOLS & VARIOUS WORKSHOP NEEDS				
SAP-0001	Intermediate Pressure Tester	454	485	970
SAP-0003A	Tank Pressure Checker INT	1,449	1,550	3,095
SAP-0004A	Tank Pressure Checker DIN, 300bar	1,599	1,710	3,420
SAP-0003A1	Gauge for High Pressure Checker	529	565	1,130
SAP-0002A	Adjusting Tool 2nd. Stage with gauge	1,402	1,500	3,000
M2ST-TOOL	Adjusting Tool 2nd. Stage balanced	2,711	2,900	***
SAA01	Air Nozzle, stainless steel	272	290	580
SAA06	Air Nozzle, rubber	NEW 290	310	620
M51	First stage holding tool (stainless)	701	750	***
SAT-19	Tire Inflator, heavy duty, stainless	290	310	615
SAT-20	Tire Inflator, stainless, mixed colors	197	210	420
TDA79	O-Ring Tool Kit + Silicone	1,178	1,260	2,520
TSA05	Hose Protector Installation Tool	1,678	1,795	3,585
TSA99	Tank Valve Knob Removing Tool	491	525	1,045
TSA58	Schrader Valve Tool	192	205	405
MSocket-6mm	Extension for yoke nut tool 3/8	458	491	980
V622 265 SW5.5	Nut driver 5.5mm	565	605	1,210
V622 265 SW1/4"	Nut driver 1/4"	673	721	1,440
V622-278.T10	Screwdriver ESD TX10	477	511	1,025
V622 260P 3.5-60	Screwdriver slotted 3.5x60	306	328	655
V622 261P 0-50	Philips screwdriver 0*50	306	328	655
V622 261P 1-60	Philips screwdriver 1*60	368	394	790
V64602 6S	Bulkhead Fitting Stainless	1,346	1,441	2,885
VTR6/10/6LES	T-Piece Stainless	1,710	1,830	3,660
TFA64	Silicone Rescue Tape, 1" wide	374	400	795
F100013030	TORX Screwdriver T4x40	NEW 739	790	1,580
F100013031	TORX Screwdriver T6x40	NEW 505	540	1,080

TOOLS - SCUBAPRO				
XZ43.040.000	Universal Tool for Scubapro Regulators	3,127	3,345	
XZ43.191.107	Yoke Nut Socket (Italy)	2,379	2,545	
XZ43.018.000	Hose Protector Installation Tool	1,510	1,615	
XZ43.300.108	Brass Piston Bullet	557	595	
XZ43.300.210	HP-Seat Tool Mark2	804	860	
XZ43.300.225	Tool for flow vane - 2nd Stages	1,108	1,185	
XZ43.300.226	MK20/25 Bushing Assembly Tool	1,169	1,250	
XZ43.300.998	Torque Wrench 5 - 35N	13,561	14,510	
XZ43.403.000	Regulator Cover Tool - R395, S600, Air2	543	580	
XZ41.496.101	Plastic Syringe	220	235	
XZ28.199.000	Magnehelic Vacuum Gauge	6,393	6,840	
XZ43.405.001	Digi-Mag 6000 Digital Magnehelic Gauge	11,365	12,160	
XZ43.300.017	Brass O-ring Pick Set	982	1,050	
XZ43.300.107	Double Hook O-ring Pick Plastic/St.Steel	201	215	
XZ43.300.101	Air 2 Seat Slider Tool	1,099	1,175	
XZ43.300.119	Air 2 Spider Tool	2,393	2,560	
XZ43.117.130P	MK17/19 Dry Chamber Socket	5,907	6,320	
XZ43.300.240	MK16/18 Balance Chamber Tool	1,743	1,865	
XZ43.300.010	Service Tools Set, in Scubapro hard case	63,543	67,990	

PROMOTION MATERIALS				
SAD07	Alu tank Key Ring w. O-rings	183	195	390
SAD08	Alu tank Key Ring w. Brass Pick & O-rings	215	230	455
MANQ-F	Mannequin torso, Female	262	280	560
MANQ-M	Mannequin torso, Male	486	520	1,040

SPARE PARTS - SUUNTO				
FSS011412000	D9tx / DX Battery Kit	323	345	690
FSS011629000	D9 Battery Kit	323	345	690
FSS012607000	D6, D6i Battery Kit	323	345	690
FSS014337000	D4, D4i Battery Kit	323	345	690
FSS05506000	Spyder/Stinger Battery Kit	323	345	690

Equipment

ITEM #	DESCRIPTION	TRADE excl. VAT	TRADE incl. VAT	RETAIL incl. VAT	
SPARE PARTS - SUUNTO					
FSS05507000	Zoop/HelO2/Vytec/Vyper/Cobra/Gekko Battery Kit	323	345	690	
FSS055003000	Mosquito/D3 Battery Kit	421	450	900	
FSS055505000	EON/ Favor Air LUX Battery Kit	776	830	1,660	
FSS055503000	Solution/Favor LUX, 3.6V Battery Kit	776	830	1,660	
FSS055504000	Fav/Comp/Oct, 3.0V Battery Kit	776	830	1,660	
FSS055509000	Transmitter Battery Kit	776	830	1,660	
FSS020308000	Tank Pod Battery Kit (EON Steel)	776	830	1,660	
FSS020309000	Bungee Adapter EON Steel	916	980	1,470	
FSS020310000	Boot for EON Steel	743	795	1,195	
FSS020311000	EON Elastomer Strap Replacement Kit	1,692	1,810	2,715	
FSS018799000	SUUNTO Charger	NEW	519	555	835
FSS005508000	Sol/Favor/Companion Display Shield Set (2 pcs)	430	460	915	
FSS0V5850000	Cobra Display Shield	463	495	990	
FSS013145000	Cobra2/3 Display Shield Kit	463	495	990	
FSS0V5875000	Zoop/Vytec/Vyper/Gekko Display Shield	463	495	990	
FSS013126000	HelO2/Vyper2/Vyper Air Display Shield	463	495	990	
FSS005501000	Spyder/Stinger/Mosquito/D3 Display Shield (2 pcs)	463	495	990	
FSS012605000	D6, D6i Display Shield Kit	463	495	990	
FSS019019000	DX Elastomer Strap Replacement Kit	1,192	1,275	1,910	
FSS021320000	DX Black Elastomer Strap Replacement Kit	2,024	2,165	3,245	
FSS019554000	DX Black Titanium Bracelet Kit	11,543	12,350	18,520	
FSS018204000	DX Silver/D9tx Titanium Bracelet Kit	9,968	10,665	15,995	
FSS018205000	DX/D9tx Silver Titanium Bracelet Spare Links	1,234	1,320	1,975	
F100019616	D9tx Titanium Strap Buckle	2,164	2,315	3,470	
FSS018203000	D9tx Elastomer Strap Replacement Kit	1,201	1,285	1,925	
FSS021263000	DX Silver/D9tx Elastomer Strap Replacement Kit	2,024	2,165	3,245	
FSS012041300	D9 Titanium Bracelet	9,968	10,665	15,995	
F100011129	D9 Strap Elastomer	800	855	1,285	
FSS013525000	D6/D6i Steel Bracelet Kit (all steel links)	6,673	7,140	10,710	
FSS021265000	D6i Elastomer Strap Kit	1,692	1,810	2,715	
FSS019480000	D6/D6i ALL-BLACK Steel Bracelet Kit (all steel links)	7,664	8,200	12,295	
FSS021266000	D6/D6i ALL-BLACK Elastomer Strap Kit	1,692	1,810	2,715	
FSS018745000	D6/D6i White Elastomer Strap Kit	1,692	1,810	2,715	
FSS013586000	D4/D4i Strap Kit Black	1,211	1,295	1,945	
FSS014.....	D4/D4i Strap Kit Blue, Red, Yellow	1,211	1,295	1,945	
FSS018747000	D4/D4i Strap Kit White	1,211	1,295	1,945	
FSS018549000	D4/D4i Strap Kit Hot-Pink	1,211	1,295	1,945	
FSS020023000	D4/D4i Strap Kit Lilac	1,211	1,295	1,945	
FSS020442000	D4i NOVO Strap Black	1,706	1,825	2,735	
FSS020443000	D4i NOVO Strap Blue	1,706	1,825	2,735	
FSS020444000	D4i NOVO Strap Lime	1,706	1,825	2,735	
FSS020447000	D4i NOVO Strap White	1,706	1,825	2,735	
FSS020446000	D4i NOVO Strap Pink	1,706	1,825	2,735	
FSS021124000	D4i NOVO Strap Gray	1,706	1,825	2,735	
FSS0L5838000	Stinger / Spyder Elastomer Strap/grey - incl. Extension Strap	1,365	1,460	2,190	
FSS0V5841000	Zoop/HelO2/Vyper/Gekko Strap complete (incl. Buckle + 3 Springbars)	1,356	1,450	2,175	
FSS013194000	Vyper2 Strap Set	1,365	1,460	2,190	
FSS0K5512000	Elastomer Strap, Solution / Favor / Octopus/ SM-16 / SK6 / SK7	706	755	1,130	
FSS020627000	Boot with Bungee Cord for SK-7/SK-8 Diving Compass	1,272	1,360	2,035	
FSS020628000	Boot with Bungee Cord for Zoop/Vyper/HelO2/VyperAir	1,272	1,360	2,035	
FSS0K6018000	Wrist Mount Boot for SK-7/SK-8	NEW	398	425	635
FSS005236000	CB-Inline Boot for SM-16/Vyper/Zoop	NEW	571	610	915
FSS0K5140000	Textile Strap SM-16 / SK6 / SK7	543	580	865	
REGULATOR SERVICE KITS - SCUBAPRO					
XZ10.042.045	Service Kit Mark 2	482	515	1,030	
XZ10.063.045	Service Kit Mark 2 Evo	NEW	580	620	1,235
XZ10.062.032	Service Kit Mark 2 Nitrox	1,486	1,590	3,175	
XZ10.103.041	Service Kit Mark 3	449	480	960	
XZ10.105.045	Service Kit Mark 5	547	585	1,165	

Equipment

ITEM #	DESCRIPTION	TRADE excl. VAT	TRADE incl. VAT	RETAIL incl. VAT	
REGULATOR SERVICE KITS - SCUBAPRO					
XZ10.500.045	Service Kit Mark 10	547	585	1,165	
XZ10.550.045	Service Kit Mark 10 Plus	547	585	1,165	
XZ10.707.045	Service Kit Mark 11	935	1,000	1,995	
XZ10.705.045	Service Kit Mark 14	454	485	970	
XZ10.600.041	Service Kit Mark 15	842	900	1,800	
XZ10.117.045	Service Kit Mark 17 / 19	1,000	1,070	2,135	
XZ10.756.045	Service Kit Mark 16 / 18 / 18 UL	1,192	1,275	2,550	
XZ10.750.045	Service Kit Mark 20 / 25 / 25 Evo	650	695	1,385	
XZ10.712.032	Service Kit Mark 20 / 25 Nitrox	1,645	1,760	3,520	
XZ11.012.045	Service Kit D300 / 350 / 400	804	860	1,720	
XZ11.109.045	Service Kit G200 / Adjustable / M50	519	555	1,105	
XZ11.254.045	Service Kit S600 / S550 / G500 / G250HP / G200B / Balance Adjust	585	625	1,245	
XZ11.300.045	Service Kit R190 / R295/ R395 / R380 / HP	449	480	960	
XZ11.361.045	Service Kit C300 / C200	547	585	1,165	
XZ11.261.045	Service Kit, G250V/G260	416	445	890	
XZ11.650.045	Service Kit X650	613	655	1,305	
XZ11.700.045	Service Kit A700	613	655	1,305	
XZ21.009.041	Service Kit Air 2 - 1st Generation	482	515	1,030	
XZ21.080.041	Service Kit Air 2 - 2nd Generation	482	515	1,030	
XZ21.085.045	Service Kit Air 2 - 3rd and 4th Generation	547	585	1,165	
XZ21.090.045	Service Kit Air 2 - 5th Generation	NEW	580	620	1,235
XZ21.626.045	Service Kit Balanced Inflator	351	375	750	
XZ10.500.047	Upgrade Kit Mark 10 to Mark 10 Plus	2,164	2,315	4,625	
XZ10.116.030	Upgrade Kit Mark 16 to Mark 18	739	790	1,580	
XZ11.500.070	Conversion Kit G500 to S600	870	930	1,860	
XZ10.062.030	Conversion Kit Mark 2 to Mark 2 Nitrox	1,645	1,760	3,520	
XZ10.712.030	Conversion Kit Mark 25 to Mark 25 Nitrox	1,968	2,105	4,210	
XZ10.500.021	Conversion Kit Mark 10 Nitrox	1,000	1,070	2,135	
REGULATOR SERVICE KITS - SUBGEAR					
GZ810.042.045	Service Kit Aruba/SG100, 1st Stage	482	515	1,030	
GZ810.707.045	Service Kit Bonaire/SG500, 1st Stage	1,000	1,070	2,135	
GZ810.117.045	Service Kit Cayman/SG1000, 1st Stage	1,000	1,070	2,135	
GZ811.361.045	Service Kit - SG10, 30, 50 - 2nd Stage	NEW	449	480	960
GZ811.293.045	Service Kit - Aruba/SG500, SG100 - 2nd Stage	416	445	890	
GZ811.551.045	Service Kit - Cayman/SG1000 2nd Stage	645	690	1,375	
GZ821.601.000	Service Kit Drift Inflator	201	215	425	
GZ821.200.100	Service Kit Drift Dump Valve	225	240	475	
REGULATOR SERVICE KITS - SEAC					
BS8412	Service Kit 1st Stage X-5P / P-Synchro	416	445	885	
BS8422	Service Kit 2nd Stage X-5 / Synchro	379	405	805	

ITEM #	DESCRIPTION	TRADE excl. VAT	TRADE incl. VAT	RETAIL incl. VAT	
STANDARD SETS - SUBGEAR					
G825.160.100	S1 Apnea Carbon Fin, size 36-38	12,607	13,490	19,340	
G825.160.200	S1 Apnea Carbon Fin, size 38-40	12,607	13,490	19,340	
G825.160.300	S1 Apnea Carbon Fin, size 40-42	12,607	13,490	19,340	
G825.160.400	S1 Apnea Carbon Fin, size 42-44	12,607	13,490	19,340	
G825.160.500	S1 Apnea Carbon Fin, size 44-46	12,607	13,490	19,340	
G825.160.600	S1 Apnea Carbon Fin, size 46-48	12,607	13,490	19,340	
G825.161.100	S2 Apnea Carbon Fin, size 36-38	7,243	7,750	11,625	
G825.161.200	S2 Apnea Carbon Fin, size 38-40	7,243	7,750	11,625	
G825.161.300	S2 Apnea Carbon Fin, size 40-42	7,243	7,750	11,625	
G825.161.400	S2 Apnea Carbon Fin, size 42-44	7,243	7,750	11,625	
G825.161.500	S2 Apnea Carbon Fin, size 44-46	7,243	7,750	11,625	
G825.161.600	S2 Apnea Carbon Fin, size 46-48	7,243	7,750	11,625	
G825.162.100	M1 Apnea Carbon Mono Fin, size 36-38	10,818	11,575	17,360	
G825.162.200	M1 Apnea Carbon Mono Fin, size 38-40	10,818	11,575	17,360	
G825.162.300	M1 Apnea Carbon Mono Fin, size 40-42	10,818	11,575	17,360	
G825.162.400	M1 Apnea Carbon Mono Fin, size 42-44	10,818	11,575	17,360	
G825.162.500	M1 Apnea Carbon Mono Fin, size 44-46	10,818	11,575	17,360	
G825.162.600	M1 Apnea Carbon Mono Fin, size 46-48	10,818	11,575	17,360	
G825.026.200	Stream Pro Apnea Fin, size 38-39	2,440	2,610	4,435	
G825.026.300	Stream Pro Apnea Fin, size 40-41	2,440	2,610	4,435	
G825.026.400	Stream Pro Apnea Fin, size 42-43	2,440	2,610	4,435	
G825.026.500	Stream Pro Apnea Fin, size 44-45	2,440	2,610	4,435	
G825.026.600	Stream Pro Apnea Fin, size 46-47	2,440	2,610	4,435	
APNEA FINS - SEAC SUB					
B0710002/36-38 TO · MOTUS FIBREX PRO FF Fins 36/38 to 47/48		NEW	12,351	13,215	19,825
B110002N/36-38 TO MOTUS FIBREX FF Fins 36/38 to 47/48		NEW	10,996	11,765	17,645
B110001N/36-38 TO MOTUS FF Fins		NEW	3,486	3,730	6,335
B1110003C/39-40 TCTALENT FF Fins, CAMO or BLACK, 39/40 to 47/48		NEW	2,786	2,980	5,060
APNEA MASKS - SUBGEAR					
G824.107.110	Subgear Steel Apnea Mask - Black skirt		1,243	1,330	2,395
G824.108.100	Subgear Steel Com Double Lens Mask, Black	NEW	1,328	1,420	2,555
G824.108.600	Subgear Steel Com Double Lens Mask, White	NEW	1,328	1,420	2,555
B060004N	L70 mask, Low volume, Black Silicone, Black	Reduced	1,085	1,160	2,085
APNEA SNORKELS					
G826.130.000	Subgear Apnea Snorkel - Soft tube, Black		370	395	705
G826.130.600	Subgear Apnea Snorkel - Soft tube, White		370	395	705
B417N	Seac Seaflex Apnea Snorkel (folds, w carry case)		795	850	1,530
WRISTOP COMPUTER - SUUNTO					
FSS020365000	D4i Novo Black w. USB		15,645	16,740	25,110
FSS020392000	D4i Novo White w. USB		15,645	16,740	25,110
FSS020393000	D4i Novo Blue w. USB		15,645	16,740	25,110
FSS020395000	D4i Novo Lime w. USB		15,645	16,740	25,110
FSS020396000	D4i Novo Pink w. USB		15,645	16,740	25,110
FSS021117000	D4i Novo Gray w. USB		15,645	16,740	25,110
FSS016824000	D4i Black without USB cable		11,977	12,815	19,220
FSS013587000	D-Series Scratch Guard (2 Pieces)		402	430	645

Apnea

ITEM #	DESCRIPTION	10+ excl. VAT	TRADE excl. VAT	TRADE incl. VAT	RETAIL incl. VAT
WRISTOP COMPUTER - SCUBAPRO					
X05.060.200	Meridian BlackTech		15,739	16,840	25,260
X05.060.001	USB interface, Mantis/Meridian (Cradle)		2,799	2,995	4,425
XZ06.204.206	Meridian Rubber Strap with pin, Black		996	1,065	1,595
XZ05.060.003	Meridian Nylon Sports Strap, Black		547	585	880
XZ05.060.000	Meridian wrist strap - Blue, Orange, Pink, Red, Yellow		547	585	880
X05.061.	Chromis; Black, White, Orange/Black		11,440	12,240	18,360
X05.061.400	Chromis; Gold/Black	NEW	13,762	14,725	22,085
X05.061.001	USB interface, Chromis (Cradle)		2,234	2,390	3,490
NOSE CLIPS					
G824.045.000	Subgear Apnea Nose Clip		1,860	1,990	3,185
APNEA ACCESSORIES					
G828.010.000	Retractor, 1.1m		496	530	1,060
G851.538.000	Shaker with magnet and hook		734	785	1,570
G825.901.200	Fin grip, rubber S	NEW	178	190	380
G825.901.300	Fin grip, rubber M	NEW	178	190	380
G825.901.400	Fin grip, rubber L	NEW	178	190	380
X50.582.000	Scubapro Microfiber Towel - Large (160cm x 80cm), Grey		1,127	1,205	1,930
G853.329.015	Apnea Beach Bag, for S1/S2 fins	NEW	1,529	1,635	2,450
G853.339.015	Maxi Dri Bag ,w shoulder harness ETA Mar'2015	NEW	1,944	2,080	3,120
WETSUIT ACCESSORIES					
SAH06	Universal Hanger Saekodive - B, K, Y		234	250	500
SURFACE MARKERS					
G840.530.000	Apnea Buoy complete - Includes Hull & Bladder, w/o flag	NEW	4,323	4,625	7,400
B37001	SEAMATE inflatable surface/rescue float		3,430	3,670	6,605
DB6690	Safety Balloon, 2m long	148	164	175	350
DB6691	Safety Balloon with Bag	194	215	230	460
DB530	Diver Surface Float yellow w. flag		458	490	890
X40.093.000	Scubapro Marker Buoy w. Holster		1,075	1,150	2,070
X40.092.500	Scubapro Sealed Marker Buoy w. Holster, Orange		2,229	2,385	4,295
SB-06	Saekodive Survival Sausage w. Pouch		1,342	1,435	2,870
DBSM01	Deep Blue Pocket Rescue Marker		673	720	1,250
DBSM02	Deep Blue Rescue Marker with Webbing & Bag		1,028	1,100	1,950
DBSM03	Deep Blue Webbing Strap for Rescue Marker		514	550	995
DBSM04	Deep Blue Rescue Marker without Webbing		607	650	1,175
WEIGHTBELTS ETC.					
G823.075.000	Subgear Apnea Rubber belt		949	1,015	1,725
G823.076.000	Subgear Apnea Rubber belt - Marseille buckle	NEW	926	990	1,780
B1971	Rubber Weightbelt SEAC w. stainless buckle, 1.3m		729	780	1,555
B198	Rubber Weightbelt SEAC w. nylon buckle, 1.3m		510	545	1,090

Tank & Valves

ITEM #	DESCRIPTION	TRADE excl. VAT	TRADE incl. VAT	RETAIL incl. VAT	
TANKS					
LL06	Luxfer S06 w/o valve	2,705	2,895	4,340	
LL19	Luxfer S19 w/o valve	4,149	4,440	6,659	
LL50	Luxfer S50 w/o valve	5,959	6,377	9,563	
LL63	Luxfer S63 w/o valve	6,098	6,525	9,786	
LL80	Luxfer S80 w/o valve	6,114	6,542	9,812	
LL100	Luxfer S100 w/o valve	9,362	10,018	15,026	
VALVES					
LVCA4030	Thermo K Valve	1,238	1,325	2,130	
LVCA4035N	Thermo valve PRO (DIN/INT, EAN ready)	1,332	1,425	2,290	
MODULAR VALVES					
LVCA8044LH	Modular Valve Left Hand	3,010	3,220	4,830	
LVCA8044RH	Modular Valve Right Hand	3,010	3,220	4,830	
LVCA8033CTR	Modular Valve Centre	2,645	2,830	4,240	
LVCA5420	Twin Isolation Valve Complete Set	7,234	7,740	11,610	
XZ14.182.002	Modular Valve Left M25 - (DIN 200 Bar / INT)	3,477	3,720	5,580	
LVH200L-N	Thermo Pro H Adapter Left	3,010	3,220	4,830	
LVH200R-N	Thermo Pro H Adapter Right	3,010	3,220	4,830	
ACCESSORIES					
SA05	Tank Valve cap - Rubber - K	33	36	52	
TRP66	Cupped Tank valve cap with ring - B, G, K, Y	41	44	64	
LVC-K	Tank Cap PRO Valve - Rubber - K	56	60	89	
SAT01	Tank Boot - Rubber	295	315	470	
SAT02	Tankboot for Steeltank 12L, 7.25"	309	330	495	
SAT03	Tankboot for Steeltank 15L, 8"	384	410	610	
TA65-K	Tank Mesh - Black	220	235	355	
TA65-Y	Tank Mesh - Fluoro Yellow	229	245	370	
TDS07	Nitrox tank fill tape with %'s of mix	772	825	1,235	
NITROX EQUIPMENT					
DBFM400	Flowmaster 400 Continuous Blending System	NEW	42,057	45,000	67,500
MR217P42	MaxO2®+A Oxygen Analyzer (Incl. Internal Sensor & OxyKnob)		13,641	14,595	21,890
MR217P52	MaxO2®+AE Oxygen Analyzer (Incl. External Sensor & OxyKnob)		16,930	18,115	27,175
MR125P01-011	MAX-250+ Internal Oxygen Sensor for MAX02+A		3,627	3,880	5,815
MR125P03-004	MAX-250E External Oxygen Sensor for MAXO2+AE		3,627	3,880	5,815
MRP11P28	BC Adapter		1,318	1,410	2,115
MR207P17	Barbed Adapter with Tubing		370	395	595
XA11.452	Oxy Spy Sensor		3,412	3,650	5,470
OX-SNSR	OMS Analyzer O2 Fuel Cell (New replacement cell)		4,571	4,890	7,335
M99997	Oxygen Sticker for Tank (10cm x 25cm)		43	47	68
M99998	Oxygen clean sticker (6cm x 6cm)		15	17	23
M99999	Nitrox Sticker for Tank (16cm x 60cm)		66	71	105

Tank & Valves

ITEM #	DESCRIPTION	TRADE excl. VAT	TRADE incl. VAT	RETAIL incl. VAT
HOSES ETC.				
SAH-03-K-75	Low Pressure Regulator Hose 75cm - Black	369	395	645
SAH-03-K-210	Low Pressure Regulator Hose 210cm - Black	673	720	1,080
SAH-03-OK-95	Low Pressure Octopus Hose 95 cm - Black	397	425	645
SAH-03-OY-95	Low Pressure Octopus Hose 95 cm - Yellow	397	425	645
SAH-04-K-65	Low Pressure Inflator Hose 65cm - Black	369	395	595
ULP250-02	Low Pressure Inflator Hose Air 2, 64cm - Black	529	565	850
MHPH	High Pressure Hose (made in USA) 33" / 83cm	874	935	1,395
MHPH6	High Pressure Hose (made in USA) 6" / 15cm	673	720	1,080
BS125001	High Pressure Hose Seac Sub 80cm	2,043	2,185	3,275
X01.044.031	Scubapro High Pressure Hose 80cm	1,842	1,970	2,760
XZ01.310.026	Scubapro LP Hose 2nd Stage 65cm	1,253	1,340	1,880
XZ01.309.035	Scubapro LP Hose 2nd Stage 75cm	1,402	1,500	2,100
XZ01.310.040	Scubapro Octopus Hose 100cm	1,472	1,575	2,210
XZ10.101.300	HP Hose Titanium Plug Adapter	1,328	1,420	1,990
XZ11029	Hose Protector Scubapro - Yellow	127	135	190
XZ11029	Hose Protector Scubapro - Green	105	113	157
XZ01.334.005	HP-Hose Quick connector "Scubapro"	1,253	1,340	1,880
SAH01	Hose clamp - B, K, O, Y	36	39	57
SAH09	Hose clamp for 2 different hose sizes - B, K, Y	59	64	94
SAH02	Hose wrap - G, Y	74	80	118
S4004	Hose Protector Saekodive large diameter - B, G, K, Y	32	35	51
SAC06	Magnetic Octopus Holder	351	375	560
M20070-07	Hose Protector Deep Blue Prod. - K, Y	28	30	45
BS77458	Seac Ergonomic Swivel Hose Clip	183	195	295
UHH07	Double Hose Clip - G, K	60	65	89

O-RINGS

L3100-9	O-Ring for Stem, Thermo Valve, AIR	17	19	27
LGR010E	O-Ring Stem, SMT Valve, Air	9	10	14
LGRM075E	O-Ring Bonnet, SMT Valve, Air	9	10	14
M011	O-Ring, Inflator Nipple/Quick Connect w. 3 Balls	5	6	7
MA015	O-Ring Tank Neck	9	10	14
M30102	O-Ring HP-Swivel	7	7	15
MP31B	O-Ring P31 & DIN/INT Outlet	15	17	24
TR014	O-Ring Valve Outlet	7	8	10
TR014S	O-Ring Valve Outlet (Polyurethane)	40	43	64
XZ01.050.138	O-Ring HP-hose/Quick Connect 4 balls, 7.65x1.78	10	11	16
XZ01.050.132	O-Ring Scubapro EPDM (Ethylene-Propylene)	10	11	16
XZ01.050.193	O-Ring DIN Regulator Scubapro 10.77 x 2.62	33	36	52
XZ01.050.428	O-Ring DIN Regulator Scubapro 10.77 x 2.63, Polyurethane	70	75	111
TD601	Mini O-ring Kit	59	64	94
TD602	Save a Dive O-Ring Kit 40 pcs.+silicone	332	355	530
UZ2460-O	O-ring Aquastar LED torch	14	15	25

VITON O-RINGS

LGR014P9	Viton O-ring Outlet	15	17	24
L3100-9E	Viton O-Ring Stem Thermo	18	20	28
LVP15V	Viton O-Ring (Thick) Outlet DIN/INT-Thermo pro Valve	20	22	32
MA015V	Viton O-Ring Tank Neck	30	33	47
M30102V	Viton O-Ring HP-swivel	32	35	50
XZ01.050.126	O-Ring 4.5x1.8 Sh85 VT	12	13	19
XZ01.050.143	Viton O-Ring HP-hose/Quick Connect 4 balls, 7.65x1.78	32	35	50
XZ01.050.195	Viton O-Ring DIN Regulator Scubapro 10.77x2.62	17	19	26
XZ01.050.394	Viton O-ring HP Connector 1st Stage	18	20	28
TD603	Viton O-ring Kit, 10 pcs.	229	245	370
TD604	Viton O-ring Kit, 20 pcs.	412	440	660

SPAREPARTS - XS SCUBA VALVE

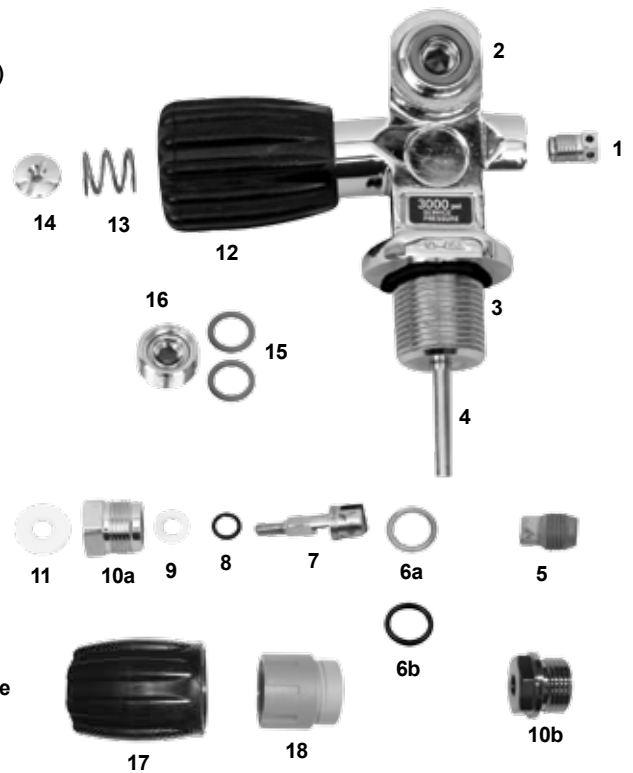
LVX10	Bonnet XS Scuba	178	190	280
LVX22	Safety Handwheel only (no inserts) - Black	458	490	735
LVX20	Inserts for Safety Handwheel (pair, green & red)	458	490	735
LVX17-E	6. (New) O-Ring EPDM (Bonnet) (for XS Scuba valve)	56	60	88

Tank & Valves

THERMO & XS SCUBA VALVE PARTS



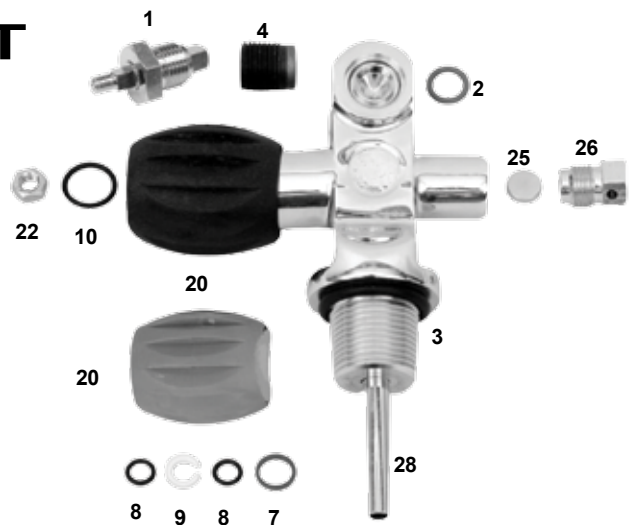
- LVK01-AIR Overhaul Kit Thermo K-Valves (Air)
(MA015-U, L35069, L5270-16N, L3100-9-U, L5270-5N)
- LVK01-EAN Overhaul Kit Thermo INT/DIN Valves (Nitrox)
(MA015V-U, L35069-K, L5270-16N, L3100-9E-U, L5270-5N)
- L3990-5000N 1. Safety Assembly (3,000 psi), EAN ready
- TR014 2. O-Ring Valve Outlet
- TR014S 2. O-Ring Valve Outlet Polyurethane
- LGR014P9 2. O-Ring Valve Outlet Viton
- MA015 3. O-Ring Tank Neck
- MA015V 3. Viton O-Ring Tank Neck
- L5270-15N 4. Dip Tube plated (VP04 Pre 10/09), EAN ready
- LVX04 4. Dip Tube plated (VX04 Post 10/09), EAN ready
- L35069 5. HP-Seat (same as Sherwood)
- L35069-K 5. HP-seat, (as Sherwood) O2 ready
- L5270-16N 6a. Bonnet Gasket, EAN ready
- LVX17-E 6b. O-Ring EPDM (Bonnet)XS Scuba
- L5270-8PN 7. Stem EAN ready
- L3100-9 8. O-Ring for Stem, Thermo Valve, AIR
- L3100-9E 8. Viton O-Ring Stem Thermo
- L5270-5N 9. Stem Packing, Ean ready
- L5270-4PN 10a. Bonnet Nut, (same as Sherwood) EAN ready
- LVX10 10b. Bonnet Nut, XS Scuba
- L5240-10 11. Handwheel Washer, EAN ready
- L5240-6A 12. Handwheel - Black
- L5270-6N 12. Handwheel - Green
- L5240-9 13. Spring EAN ready
- L5203-7P 14. Handwheel Nut, EAN ready
- LVP15V 15. Viton O-Ring (Thick) Outlet DIN/INT -Thermo Pro Valve
- MP31B 15. O-Ring (Thick) Outlet DIN/INT - Thermo Pro Valve
- L5440-23 16. DIN / K Insert w. Viton O-rings, EAN ready
- LVX20 17. Safety Hand Wheel insert Red&Grn XS Scuba
- LVX22 18. Safety Handwheel only - black XS scuba



SMT VALVE PARTS



- LGVP00-AIR Service Kit SMT Valve
(LGVP07/09/45, MA015-U, 2 x LGR010E-U, LGRM075E-U)
- LCV04-A 1. Complete Stem Assembly Incl. 7, 2x8, 9, 10
- LGVP45 4. HP-Seat SMT Valve, Oxygen ready
- LGVP07 7. Gasket
- LGR010E 8. O-Ring Stem
- LGVP09 9. Backup Ring
- LGRM075E-U 10. O-Ring Bonnet
- LGVP20 20. Handwheel elastomer
- LGVP99 20. Handwheel green (Nitrox)
- LGVP22 22. Handwheel Nut
- LCV26-33 25.&26. Safety Plug & Burst Disk 3,000 psi (5,000 burst)
- LGVP28 28. Dip Tube
- 2. See Thermo valve parts above
- 3. See Thermo valve parts above



SHERWOOD VALVE PARTS



Sherwood Valve

- L350620-AIR Overhaul Kit Sherwood Valve
(MA015-U, L350067, L350069, L350610, L350618)
- L5203-7P 1. Handwheel Nut (same as Thermo), EAN ready
- L350611A 11. Spring - Sherwood valve
- L60002 13. Handwheel Sherwood - Black
- L1413 4. Handwheel Washer, Sherwood valve
- L5270-4PN 5. Bonnet Nut (same as Thermo), EAN ready
- L350610 6. Copper Gasket
- L35067 7. Thick Teflon ring (new style seal)
- L350618 8. Thin Teflon ring (new style seal)
- L9350612 9. Stem/Spindle
- L35069 10. Plug Assembly HP-Seat (same as Thermo)
- L35069-K 10. Plug Assembly HP-Seat (same as Thermo) O2 ready
- L400012048 12. Safety Plug Assembly 3,000 psi
- 2. See Thermo valve parts above
- 3. See Thermo valve parts above



Tank & Valves

ITEM #	DESCRIPTION	TRADE excl. VAT	TRADE incl. VAT	RETAIL incl. VAT
SPAREPARTS - THERMO VALVE				
LVK01-AIR	Overhaul Kit Thermo K-Valves (Air) (MA015, L35069, L5270-16N, L3100-9, L5270-5N)	309	330	485
LVK01-EAN	Overhaul Kit Thermo INT/DIN Valves (Nitrox) (MA015V, L35069-K, L5270-16N, L3100-9E, L5270-5N)	370	395	575
L3990-5000N	1. Safety Assembly (3,000 psi), EAN ready	220	235	355
TR014	23. O-Ring Valve Outlet	7	8	10
TR014S	O-Ring Valve Outlet (Polyurethane)	40	43	64
LGR014P9	23. Viton O-Ring Outlet	15	17	24
MA015	3. O-Ring Tank Neck	9	10	14
MA015V	3. Viton O-Ring Tank Neck	30	33	47
L5270-15N	4. Dip Tube plated (VP04 Pre 10/09), EAN ready	127	135	200
L VX04	4. Dip Tube plated (VX04 Post 10/09), EAN ready	127	135	200
L35069	5. Plug Assembly HP-Seat (same as Sherwood)	178	190	285
L35069-K	5. Plug & Seat Assembly HP-seat, (as Sherwood) O2 ready	215	230	340
L5270-16N	6. Bonnet Gasket, EAN ready	53	57	85
L5270-8PN	7. Stem EAN ready	215	230	340
L3100-9	8. O-Ring for Stem, Thermo Valve, AIR	17	19	27
L3100-9E	8. Viton O-Ring Stem Thermo	18	20	28
L5270-5N	9. Stem Packing, Ean ready	47	51	74
L5270-4PN	10. Bonnet Nut, (same as Sherwood) EAN ready	215	230	340
L5240-10	11. Handwheel Washer, EAN ready	53	57	85
L5240-6A	12. Handwheel - Black	253	270	405
L5270-6N	12. Handwheel - Green	281	300	450
L5240-9	13. Spring EAN ready	53	57	85
L5203-7P	14. Handwheel Nut, EAN ready	90	97	144
LVP15V	15. Viton O-Ring (Thick) Outlet DIN/INT -Thermo Pro Valve	20	22	32
MP31B	15. O-Ring (Thick) Outlet DIN/INT - Thermo Pro Valve	15	17	24
L5440-23	16. DIN / K Insert w. Viton O-rings, EAN ready	412	440	660
SPAREPARTS - GENESIS/SMT VALVE				
LGVP00-AIR	Service Kit SMT Valve (LGVP07/09/45, MA015, 2 x LGR010E, LGRM075E)	444	475	705
LCV04-A	1. Complete Stem Assembly Incl. 7, 2x8, 9, 10	706	755	1,130
LGVP45	2. HP-Seat SMT Valve, Oxygen ready	337	360	540
LGVP07	7. Gasket	38	41	60
LGR010E	8. O-Ring Stem	9	10	14
LGVP09	9. Backup Ring	30	33	48
LGRM075E	10. O-Ring Bonnet	9	10	14
LGVP20	20. Handwheel elastomer	248	265	395
LGVP99	20. Handwheel green (Nitrox)	248	265	395
LGVP22	22. Handwheel Nut	25	27	40
TR014	23. O-Ring Valve Outlet	7	8	10
LGR014P9	23. Viton O-Ring Outlet	15	17	24
LCV26-30	25.&26. Safety Plug & Burst Disk 3,000 psi (5,000 burst)	395	423	633
LGVP28	28. Dip Tube	218	234	349
SPAREPARTS - SHERWOOD VALVES				
L350620-AIR	Overhaul Kit Sherwood Valve (MA015, L35067, L35018, L350610, L35069)	552	590	1,465
L5203-7P	1. Handwheel Nut (same as Thermo), EAN ready	90	97	144
L350611A	2. Spring - Sherwood valve	164	175	260
L60002	3. Handwheel Sherwood - Black	416	445	665
L1413	4. Handwheel Washer, Sherwood valve	57	61	91
L5270-4PN	5. Bonnet Nut (same as Thermo), EAN ready	215	230	340
L350610	6. Copper Gasket	197	210	315
L35067	7. Thick Teflon ring (new style seal)	127	135	200
L350618	8. Thin Teflon ring (new style seal)	38	41	60
L9350612	9. Stem/Spindle	314	335	500
L35069	10. Plug Assembly HP-Seat (same as Thermo)	178	190	285
L35069-K	10. Plug Assembly HP-Seat (same as Thermo) O2 ready	215	230	340
L400012048	12. Safety Plug Assembly 3,000 psi	356	380	565

Compressors

ITEM #	DESCRIPTION	TRADE excl. VAT	TRADE incl. VAT	RETAIL incl. VAT	
BAUER COMPRESSORS PORTABLE MODELS					
Compact Line					
QJ2E	Junior 2 E, 400V	100ltr/min / B-Timer / P21	170,960	182,928	222,250
QJ2W	Junior 2 W, 230V	100ltr/min / B-Timer / P21	170,960	182,928	222,250
QJ2B	Junior 2 B, Petrol	100ltr/min / B-Timer / P21	171,945	183,982	223,525
QJ2D	Junior 2 D, Diesel; special order only.	100ltr/min / B-Timer / P21	357,445	382,467	464,680
QOC-E	Oceanus E, 400V	140ltr/min / B-Timer / P21	253,795	271,561	*
QOC-W	Oceanus W, 230V	140ltr/min / B-Timer / P21	266,115	284,744	*
QOC-B	Oceanus B, Petrol	140ltr/min / B-Timer / P21	258,720	276,831	*

Profi Line					
QC140E	Capitano 140 E	140ltr/min / P21	325,710	348,510	*
QC140B	Capitano 140 B	140ltr/min / P21	328,945	351,972	*
QM200E/P21	Mariner 200 E	200ltr/min / P21	383,000	409,810	*
QM200B/P21	Mariner 200 B	200ltr/min / P21	404,250	432,548	*
QM200B/P31	Mariner 200 B w. P31 filter & B-Timer	200ltr/min / P31	440,755	471,608	*
QM250E/P31	Mariner 250 E	250ltr/min / P31	410,720	439,471	*
QM250E/P41	Mariner 250 E	250ltr/min / P41	447,520	478,847	*
QM250E/P41/ACD	Mariner 250 E	250ltr/min / P41 / ACD	569,595	609,467	*
QM250E/P41-Sec/ACD	Mariner 250 E ("PURE AIR" ready)	250ltr/min / P41 / ACD / Securus	592,935	634,441	*
QM250B/P31	Mariner 250 B	250ltr/min / P31	468,930	501,756	*
QM250B/P41	Mariner 250 B	250ltr/min / P41	505,735	541,137	*
QM250B/P41/ACD	Mariner 250 B	250ltr/min / P41	594,895	636,538	*
QM320E/P31	Mariner 320 E	320 ltr/min / B-Timer / P31	565,950	605,567	*
QM320E/P41	Mariner 320 E	320 ltr/min / B-Timer / P41	602,755	644,948	*
QM320E/P41/ACD	Mariner 320 E	320 ltr/min / B-Timer / P41 / ACD	790,650	845,996	*
QM320E/P41-Sec/ACD	Mariner 320 E ("PURE AIR" ready)	320 ltr/min / B-Timer / P41 / ACD /Sec	813,990	870,970	*
QM320B/P31	Mariner 320 B	320 ltr/min / B-Timer / P31	584,430	625,341	*
QM320B/P41	Mariner 320 B	320 ltr/min / B-Timer / P41	621,235	664,722	*
QM320B/P41/ACD	Mariner 320 B	320 ltr/min / B-Timer / P41 / ACD	722,960	773,568	*
QC140D/P21	Capitano 140 D, Hatz Diesel	140ltr/min / P21	405,640	434,035	*
QM170D/P31	Mariner 170 D, Hatz Diesel	170ltr/min / P21	437,980	468,639	*

Prices for units up to 420 Bar upon request

POSEIDON EDITION PORTABLE MODELS TE-Range

TE-Range					
QPE100-TE/P11	Poseidon 100 E, 400V	100 ltr/min / P11	123,520	132,167	160,575
QPE100-TW/P11	Poseidon 100 W, 220V	100 ltr/min / P11	135,260	144,729	175,835
QPE100-TB/P11	Poseidon 100 B, Petrol	100 ltr/min / P11	136,790	146,366	177,825
QPE100-TE-SH/P11	Poseidon 100 E, Shooting Version 230V	100 ltr/min / P11	137,300	146,911	178,490
QPE200-TE/P21	Poseidon 200 E	200 ltr/min / P21	262,170	280,522	*
QPE250-TE/P31	Poseidon 250 E	250 ltr/min / P31	305,045	326,399	*
QPE300-TE/P31	Poseidon 300 E	300 ltr/min / P31	339,540	363,308	*
QPE300-TE/P42	Poseidon 300 E	300 ltr/min / P42	372,315	398,378	*

BAUER COMPRESSORS STATIONARY MODELS

Mini Verticus III - Soundproof					
QMV100-4-3	MV 100 - 4 - 3	150 ltr/min / P41	613,540	656,488	*
QMV120-4-3	MV 120 - 4 - 3	200 ltr/min / P41	639,655	684,431	*
QMV120-5.5-3	MV 120 - 5.5 - 3	250 ltr/min / P41	712,100	761,947	*
V5 (Verticus 5 Range)					
QV12.14-5.5-5	KAP 12.14 - 5.5 - 5	260 ltr/min / P61	855,010	914,861	*
QV12.14-7.5-5	KAP 12.14 - 7.5 - 5	320 ltr/min / P61	930,410	995,539	*
QV15.1-7.5-5	KAP 15.1 - 7.5 - 5	370 ltr/min / P61	1,010,240	1,080,957	*
QV15.1-11-5	KAP 15.1 - 11 - 5	450 ltr/min / P61	1,042,275	1,115,235	*
QV150-11-5	KAP 150 - 11 - 5	540 ltr/min / P61	1,116,195	1,194,329	*
QV180-15-5	KAP 180 - 15 - 5	680 ltr/min / P61	1,278,820	1,368,338	*
QPE-Super Silent	For Super Silent Version add		89,690	95,969	*

Prices for V5/KAP5 / 420 Bar and prices KAP H and KAP HN range upon request

Compressors

ITEM #	DESCRIPTION	TRADE excl. VAT	TRADE incl. VAT	RETAIL incl. VAT
POSEIDON EDITION STATIONARY MODELS				
HE-Range				
QPE250-HE/P31	Poseidon 250 E 250 ltr/min / P31	449,435	480,896	*
QPE250-HE/P42	Poseidon 250 E 250 ltr/min / P42	469,395	502,253	*
QPE300-HE/P31	Poseidon 300 E 300 ltr/min / P31	488,800	523,016	*
QPE300-HE/P42	Poseidon 300 E 300 ltr/min / P42	507,510	543,036	*
PE-Range, open, 330Bar, 3/4 stages				
PE 300-VE open	Poseidon 300 300 ltr/min / P42	526,805	563,682	*
PE 400-VE open	Poseidon 400 400 ltr/min / P42	689,920	738,215	*
PE 550-VE open	Poseidon 550 550 ltr/min / P42	820,515	877,952	*
PE 700-VE open	Poseidon 700 700 ltr/min / P61	940,265	1,006,084	*
PE 850-VE open	Poseidon 850 850 ltr/min / P61	1,076,770	1,152,144	*
PE-Range, open, 420Bar, 4/5 stages				
QPE320-VE-open	Poseidon 320 320 ltr/min / P41	900,840	963,899	*
QPE500-VE-open	Poseidon 500 500 ltr/min / P41	1,140,835	1,220,694	*
QPE600-VE-open	Poseidon 600 680 ltr/min / P61	1,250,730	1,338,282	*
QPE-Super Silent	For Super Silent Version add	89,690	95,969	*
B-KOOL 350 / 500 Bar				
	B-KOOL 680i, 350 Bar / 500 Bar (integrated - to be mounted on V5 or PE-VE Silent)	157,205	168,210	*
	B-KOOL 680s, 350 Bar / 500 Bar (stand alone version)	157,205	168,210	*
Mounting Kits for Integrated B-Kool (680i)				
Q129016	Mounting Kit B-Kool 680i for P41/P61, Verticus 5 / PE-VE, 350Bar	23,195	24,819	*
Q129017	Mounting Kit B-Kool 680i for P81, Verticus 5, 350Bar	23,195	24,819	*
Q129056	Mounting Kit B-Kool 680i for P41/P61, Verticus 5 / PE-VE, 420Bar	27,845	29,795	*
Q162246	Mounting Kit B-Kool 680i for P81, Verticus 5, 420Bar	27,845	29,795	*
Mounting Kits for Stand Alone B-Kool (680s)				
Q129018	Mounting Kit B-Kool 680s for P41/P61, Verticus 5 / PE-VE, 350Bar	27,440	29,361	*
Q129019	Mounting Kit B-Kool 680s for P81, Verticus 5, 350Bar	27,440	29,361	*
Q129060	Mounting Kit B-Kool 680s for P41/P61, Verticus 5 / PE-VE, 420Bar	24,895	26,638	*
Q160028	Mounting Kit B-Kool 680s for P41/P61, Mini Verticus 3, 350Bar	24,895	26,638	*
Q129021	Mounting Kit B-Kool 680s for P41, Mariner 200/250/320, 350Bar	27,720	29,661	*
AERO - GUARD				
CO2 Absorber for Breathing Air				
	Aero-Guard-S, 100-150 l/min	67,585	72,316	*
	Aero-Guard-M, 160-230 l/min	67,585	72,316	*
	Aero-Guard-L, 240-320 l/min	67,585	72,316	*
	Aero-Guard-XL, 330-450 l/min	67,585	72,316	*
	Aero-Guard-XXL, 460-680 l/min	67,585	72,316	*
AEROTEST SIMULTAN				
	Aerotest HP Simultan Impactor, max. pressure 300 Bar	112,800	120,696	*
	Water Vapour (H2O)	4,190	4,484	*
	Oil contents	5,490	5,875	*
	Carbon Dioxide (CO2)	5,205	5,570	*
	Carbon Monoxide (CO)	4,180	4,473	*
	Impactor-adaptor	3,115	3,334	*
	Impactors	5,375	5,752	*
B-SAFE				
	B Safe 300, 300 Bar, w solenoid valve, filling hoses & self-venting filling valves	668,625	715,429	*
	B Safe 300, 200 Bar, NITROX version, w filling hoses & self-venting filling valves	821,745	879,268	*

Compressors

ITEM #	DESCRIPTION	TRADE excl. VAT	TRADE incl. VAT	RETAIL incl. VAT
OPTIONAL EQUIPMENT - COMPACT & PROFI - LINE *PRICES ONLY VALID IF ORDERED AS OPTION WITH NEW COMPRESSOR*				
	Base frame stainless steel Junior (Oceanus included as standard)	12,870	13,771	*
	2-Wheel Trolley, Junior/Oceanus	23,340	24,974	*
	Carrying trolley, Capitano/Mariner	18,850	20,170	*
	Crash frame Capitano (needed to mount add. accessories)	32,315	34,578	*
	Switch Over Device 200/300Bar Junior, Oceanus, Capitano	31,420	33,620	*
	Switch Over Device 200/300Bar Oceanus, Capitano 140, Poseidon 200/250/300	31,120	33,299	*
	Switch Over Device 200/300Bar Mariner 200/250	26,330	28,174	*
	Switch Over Device 220/330Bar Mariner 320	29,325	31,378	*
	Additional filling devices 4 x 200Bar Mariner 200/250	31,120	33,299	*
	Additional filling devices 4 x 330Bar Mariner 200/250	26,930	28,816	*
	Additional Separator after 1st stage Capitano/Mariner	29,325	31,378	*
	Telescopic intake tube f. Capitano140 /Mariner200	60,440	64,671	*
	Auto Cond. Drain f. Junior2E, Oceanus E	NEW 76,895	82,278	*
	Auto Cond. Drain f. Junior2W, Oceanus-W	NEW 71,510	76,516	*
	Auto Cond. Drain f. Junior2B, Oceanus-B	NEW 52,065	55,710	*
	RETRO FIT KIT: Auto Cond. Drain f. Junior2B, Oceanus-B	NEW 92,755	99,248	*
	Electr. Control w. Auto Cond. Drain Capit. 140E	111,605	119,418	*
	Electr. Control w. Auto Cond. Drain Mar. 200E/250E	122,075	130,621	*
	Electr. Control w. Auto Cond. Drain Mar. 320E	187,900	201,053	*
	Auto Cond. Drain f. petrol driven Capit., Mar. 200/250	89,165	95,407	*
	Auto Cond. Drain f. petrol driven Mariner 320	101,730	108,852	*
	Auto Cond. Drain f. Interstage Filter 1st stage	9,575	10,246	*
	B-Timer (Junior, Oceanus and Mariner 320 Standard)	12,570	13,450	*
	Filter P31 instead of P21, Capitano, Mariner 200	23,940	25,616	*
	Filter P41 instead of P21, Mariner 200	60,740	64,992	*
	Filter P41 instead of P31, Mariner 250 / 320	36,805	39,382	*
	SECURUS Control unit for P41/61, all models	23,340	24,974	*
MAINTENANCE KITS *PRICES ONLY VALID IF ORDERED AS OPTION WITH NEW COMPRESSOR*				
500 Hours	Junior II / Poseidon 100	2,020	2,162	*
500 Hours	Oceanus	2,535	2,713	*
500 Hours	Capitano 140 B / E	1,860	1,991	*
500 Hours	Mariner 200 / 250 - B / E; Poseidon 200/250/300	1,830	1,959	*
500 Hours	Mariner 320 B / E	2,790	2,986	*
1000 Hours	Junior II / Oceanus / Poseidon 100	27,510	29,436	*
1000 Hours	Capitano 140 B / E / D	20,520	21,957	*
1000 Hours	Mariner 200 / 250 - B / E / D	17,570	18,800	*
1000 Hours	Mariner 320 B / E	30,455	32,587	*
2000 Hours	Junior II / Oceanus / Poseidon 100	28,595	30,597	*
2000 Hours	Capitano 140 B / E / D	22,380	23,947	*
2000 Hours	Mariner 200 / 250 - B / E / D	27,890	29,843	*
2000 Hours	Mariner 320 B / E	31,740	33,962	*
QN15052	Maint. Kit for Condensate Separator, Capitano, Mariner 200 / 250	2,950	3,157	*
QN26544	Maint. Kit for Condensate, Separator Mariner 320	5,130	5,490	*
OPTIONAL EQUIPMENT - MINI VERTICUS III *PRICES ONLY VALID IF ORDERED AS OPTION WITH NEW COMPRESSOR*				
	Switch Over Device 220/330Bar, Mini Verticus	32,015	34,257	*
	SECURUS Control unit (B-CONTROL) for P41/61, all models	23,340	24,974	*
	Additional Interfilter 1st stage, Mini Verticus	32,315	34,578	*
	Compressor Control hardwired, semi-automatic	30,520	32,657	*
	Compressor Control hardwired, fully automatic	47,275	50,585	*
	Filter system P61 instead of P41, Mini Verticus	15,860	16,971	*
	Set of intermediate pressure gauges	14,365	15,371	*
OPTIONAL EQUIPMENT - VERTICUS 5 *PRICES ONLY VALID IF ORDERED AS OPTION WITH NEW COMPRESSOR*				
	Interstage separator after 1st stage w add. Condens. Drain valve	38,300	40,981	*
PN 200 bar	Set of 4 filling devices w. hoses, 200Bar	77,795	83,241	*
PN 300 bar	Set of 4 filling devices w. hoses, 330Bar	69,415	74,275	*
PN 300/200	Set of 4 filling devices w. hoses, switch 200 / 300Bar	131,050	140,224	*
	075034 Filling Panel	213,505	228,451	*

Compressors

ITEM #	DESCRIPTION	10+ excl. VAT	TRADE excl. VAT	TRADE incl. VAT	RETAIL incl. VAT
OPTIONAL EQUIPMENT - VERTICUS 5 *PRICES ONLY VALID IF ORDERED AS OPTION WITH NEW COMPRESSOR*					
	Filter system P81/350Bar instead of P61/350Bar		53,340	57,074	*
	Filter system P81/420Bar instead of P61/420Bar		71,205	76,190	*
	Set of intermediate pressure gauges (for 4-stage units only)		19,450	20,812	*
	SECURUS Control unit		23,340	24,974	*
	Condensate Collecting Tank 40L		44,880	48,022	*
	Safety Valve with TÜV-Adjustment, 330Bar, 420Bar		7,185	7,688	*
0	Super Silent for Verticus 5		92,895	99,398	
QVert5-Silent Kit	Super Silent Upgrade Kit for Verticus 5		119,945	128,342	
	Exhaust air duct		35,310	37,782	*
	Exhaust air duct w. ventilating shutters		155,165	166,027	*

OPTIONAL EQUIPMENT - POSEIDON LINE *PRICES ONLY VALID IF ORDERED AS OPTION WITH NEW COMPRESSOR*					
PE100TE	Motor protection switch incl. cable & plug		10,175	10,888	*
TE-Range	V1. Motor protection switch incl. cable		9,575	10,246	*
TE-Range	V2. Electric control incl. cable		35,310	37,782	*
TE-Range	V3. Electric control compl. w. automatic condensate drain and final pressure switch off		101,130	108,210	*
PE300-TE	V4. Electric control compl. w. automatic condensate drain, final pressure switch off and Securus		125,665	134,462	*
TE-Range	Condensate collecting tank 10L		5,685	6,083	*
TE-Range	Additional filling device 200Bar		15,560	16,650	*
TE-Range	Additional filling device 300Bar		13,465	14,408	*
	Filter P31 instead of P21, PE250-TE / PE300-TE		23,235	24,862	*
	Filter P42 instead of P21, PE300-TE		46,755	50,028	*
	Filter P42 instead of P31, PE250-HE / PE300-HE		23,525	25,172	*
TE/HE-Range	B-Timer		12,570	13,450	*
HE-Range	Securus		23,340	24,974	*
HE-Range	Filling device 2 x 200 Bar (hose connections)		27,530	29,458	*
HE-Range	Filling device 2 x 300 Bar (hose connections)		23,040	24,653	*
HE-Range	Filling device 4 x 200 Bar (hose connections)		76,000	81,320	*
HE-Range	Filling device 4 x 300 Bar (hose connections)		67,025	71,717	*
HE-Range	Filling device 2 x 200 Bar / 2 x 300 Bar, with pressure reducer (hose connections)		135,840	145,349	*
HE-Range	Filling device 4 x 200 Bar (direct connection)		56,550	60,509	*
HE-Range	Filling device 4 x 300 Bar (direct connection)		56,550	60,509	*
HE-Range	Filling device 2 x 200 Bar / 2 x 300 Bar, with pressure reducer (direct connection)		124,770	133,504	*

OPTIONAL EQUIPMENT - POSEIDON VE-RANGE *PRICES ONLY VALID IF ORDERED AS OPTION WITH NEW COMPRESSOR*					
VE-300/400/550/700	Filling device 4 x 200 Bar (hose connections)		77,795	83,241	*
VE-300/400/550/700	Filling device 4 x 300 Bar (hose connections)		69,415	74,275	*
VE-300/400/550/700	Filling device 2 x 200 Bar / 2 x 300 Bar, with pressure reducer (hose connections)		142,420	152,390	*
VE-300/400/550/700	Filling device 4 x 200 Bar (direct connection)		57,750	61,793	*
VE-300/400/550/700	Filling device 4 x 300 Bar (direct connection)		57,750	61,793	*
VE-300/400/550/700	Filling device 2 x 200 Bar / 2 x 300 Bar, with pressure reducer (direct connection)		129,855	138,945	*
VE-Range	SECURUS Control unit		23,340	24,974	*
VE-Range	Condensate collecting tank 40 L		44,880	48,022	*
VE-Range	Super Silent for open PE models		92,895	99,398	
QPE-Silent Kit	Upgarade Kit Super Silent for open PE models		119,945	128,342	

VARIOUS ORIGINAL COMPRESSOR PARTS BAUER					
QN28355-1	Synthetic Compressor Oil original Bauer 1 Liter		645	690	840
QN28355-3	Synthetic Compressor Oil original Bauer 3 Liter		1,860	1,990	2,420
QN28355-5	Synthetic Compressor Oil original Bauer 5 Liter		3,085	3,300	4,010
Q057679	P21 Filter Cartridge (for units with E-motor)	1,185	1,230	1,317	*
Q059183	P21 Filter Cardridge with CO removal (for units with Petrol motor)	1,700	1,765	1,889	*
Q80100	P31 Filter Cartridge	3,155	3,275	3,505	*
Q80114	P31 Filter Cartridge with CO removal	4,262	4,425	4,735	*

Compressors

ITEM #	DESCRIPTION	10+ excl. VAT	TRADE excl. VAT	TRADE incl. VAT	RETAIL incl. VAT
VARIOUS ORIGINAL COMPRESSOR PARTS BAUER					
Q062565	P41 / P42 Filter Cartridge 20"	3,833	3,980	4,259	*
Q067224	P41 / P42 Filter Cartridge 20" with CO removal	7,844	8,145	8,716	*
Q061686	P41 / P42 Filter Cartridge 20" SECURUS	5,990	6,220	6,656	*
Q061687	P41 / P42 Filter Cartridge 20" SECURUS with CO removal	8,152	8,465	9,058	*
Q058826	P61 Filter Cartridge 27"	4,570	4,745	5,078	*
Q060036	P61 Filter Cartridge 27" SECURUS	6,298	6,540	6,998	*
Q060037	P61 Filter Cartridge 27" SECURUS with CO removal	8,460	8,785	9,400	*
QN4823	Air Intake Filter Cartridge Junior, Poseidon 100		485	519	*
QN70	Air Intake Filter Profiline I (Old models)		485	519	*
QN25950	Air Intake Filter Profi Line II (New Models)		900	963	*
QN25326	Oil Filter Element Profi Line II (New Models)		515	552	*
Q071343	Filling valve with gauge, 200Bar		7,055	7,549	*
Q071344	Filling valve with gauge, 300Bar		7,055	7,549	*
Q071744	Filling valve without gauge, 200Bar		5,710	6,110	*
Q071743	Filling valve without gauge, 300Bar		5,710	6,110	*
QN1315	Filling gauge, stainless steel, 315Bar, G1/4" tapered		1,670	1,787	*
Q073080	Distributor incl. fitting (for connecting two filling hoses)		3,785	4,050	*
Q059410-225	Bauer generic safety valve, G3/8", 225Bar		13,465	14,408	*
Q059410-330	Bauer generic safety valve, G3/8", 330Bar		13,465	14,408	*

EXTERNAL PURIFICATION SYSTEMS

P60 / 350 Bar Purification System			167,180	178,883	*
Included:	Oil & Water separator with Microfilter Cartridge				
	P61 Filter housing with 1 set of P61 filter cartridge				
	Pressure maintaining / Non-Return Valve				
	Relief Valve				
	Filter Key for Cartridge replacement				
NOT Included:	Safety valve		13,465	14,408	*
P80 / 350 Bar Purification System			227,770	243,714	*
Included:	Oil & Water separator with Microfilter Cartridge				
	P81 Filter housing with 1 set of P81 filter cartridge				
	Pressure maintaining / Non-Return Valve				
	Relief Valve				
	Filter Key for Cartridge replacement				
NOT Included:	Safety valve		13,465	14,408	*

COMPRESSOR PARTS L & W

M109	Felt for LW 260 + 450 (5 pack)	208	215	231	280
M110	Felt for LW 160-245 (5 pack)	135	140	150	180

COMPRESSOR PARTS GENERAL

MM01	Mineral Compressor Oil Shell Corena S2 P150 - 1 Liter		336	360	450
MM03	Mineral Compressor Oil Shell Corena S2 P150 - 3 Liter		925	990	1,300
MM05	Mineral Compressor Oil Shell Corena S2 P15		1,542	1,650	2,125
M100-C	Activated Carbon 500gr.	203	210	225	310
M100-S	Molecular Sieve 1000gr.	383	397	425	645
M100-Pack	Pack 1000gr. Molecular Sieve & 500gr. Activated Carbon	567	589	630	950
M105	Felt, one sqm (1m x 1m)	878	911	975	1,185
M107	Felt for Filter P41, (5 set)	405	425	450	550
M108	Felt for Filter P31, (5 set)	383	400	425	520
M111	Felt for Filter P21 (5 set)	63	65	70	90
M106	Felt for Coltri 40mm (20 pcs)	135	140	150	185

Compressors

ITEM #	DESCRIPTION	TRADE excl. VAT	TRADE incl. VAT	RETAIL incl. VAT
FILLING VALVES & GAUGES				
SDY-1	DIN Adaptor Saekodive	900	963	*
SDY-2	Tank Yoke DIN Adaptor 300Bar Saekodive	1,230	1,317	*
SDY-3	Tank Filling Valve w/o Gauge, Saekodive	2,100	2,247	*
SDY-3F#1	Yoke Knob for SDY-3 and SDY-1	305	327	*
SAA05	300/200 Bar DIN Tank to Yoke Adaptor	1,355	1,450	*
M400	Tank Yoke Filling Connector	1,680	1,798	*
V1117	Filling gauge, stainless steel, oil filled, G1/4" straight	2,230	2,387	*
V784 28079B	Filling gauge, stainless steel, oil filled, G1/4" tapered	2,055	2,199	*
V949 61051	Gauge protection boot	200	214	*
VMAN-SD1S5C50Y	Digital pressure gauge O2 clean	18,140	19,410	*
MAB174	Brass filling connector 4 port	1,345	1,440	*
MAB170	Bleeding Manifold Brass (w/o. valves)	630	675	*
Q068870	Adapter, Bauer filling valve w std filling hose, (swivel, original)	3,435	3,676	*
Q068870-M	Adapter, Bauer filling valve w std filling hose (non-swivel, local)	1,405	1,500	*
V784R121G	Pressure Gauge, Panel Mount 16 Bar	4,950	5,297	*

FILLING HOSES				
M120	0.7m Filling hose 300Bar, TUV tested, Made in Germany	1,540	1,648	*
M114	2m Filling hose 225 Bar (steel connector)	935	1,001	*
M117	4m Filling hose 225 Bar (steel connector)	1,580	1,691	*
M118	5m Filling hose 225 Bar (steel connector)	1,900	2,033	*
M112SS	1m Filling hose 225 Bar (stainless steel connector)	1,425	1,525	*
M113SS	1.5m Filling hose 225 Bar (stainless steel connector)	1,635	1,750	*
M114SS	2m Filling hose 225 Bar (stainless steel connector)	1,845	1,975	*
M115SS	3m Filling hose 225 Bar (stainless steel connector)	2,265	2,424	*
M117SS	4m Filling hose 225 Bar (stainless steel connector)	2,660	2,847	*
M118SS	5m Filling hose 225 Bar (stainless steel connector)	3,100	3,317	*
MFLEX-O2-SS	1.5m O2 Hose (1/4" tapered stainless steel connector)	2,660	2,847	*

STORAGE BOTTLES AND PARTS				
MAB1	Pressure Vessel 50 ltr. 300/450Bar w. DIN valve & cap	26,561	28,420	*
MAB3C	Airbank Frame for 3 Tanks	8,500	9,095	*
MAB900	Valve for Pressure Vessel 300 Bar	1,589	1,700	2,065
MAB149	Valve Connector Brass, G 5/8" outside, G 1/4" inside 300 Bar	463	495	*
MAB712	Bleed Valve	1,426	1,525	*
MAB6	High pressure Pipe 6mm stainless steel (per meter)	253	270	*
MAB8	High pressure Pipe 8mm stainless steel (per meter)	435	465	*
MAB10	High pressure Pipe 10mm stainless steel (per meter)	739	790	*

IN LINE VALVES				
LYVA3010	Sherwood Line Valve	2,035	2,178	*
LYVA3010A	Sherwood Line Valve - Panel	2,820	3,018	*

PROFESSIONAL NITROX SOLUTIONS SCREW COMPRESSORS					
KPRO-5	Pro 5 Screw Compressor	690 ltr/min, 5.5kW, 68 dB(A)	NEW 210,920	225,685	*
KPRO-7.5	Pro 7.5 Screw Compressor	950 ltr/min, 7.5kW, 70 dB(A)	NEW 229,645	245,721	*
KPRO-11	Pro 11 Screw Compressor	1,350 ltr/min, 11kW, 70 dB(A)	NEW 239,010	255,741	*
KPRO-15	Pro 15 Screw Compressor	2,000 ltr/min, 15kW, 72 dB(A)	NEW 276,955	296,342	*

MEMBRANE MODULE NITROX 32% - 40%					
Included: Stainless Housing, Steel Piping 25mm					
KB01	Nitrox B01 Basic Open Version	150 - 350 ltr/min	NEW 786,020	841,042	*
KB02	Nitrox B02 Basic Open Version	300 - 450 ltr/min	NEW 835,300	893,771	*
KB03	Nitrox B03 Basic Open Version	450 - 600 ltr/min	NEW 884,580	946,501	*
Optional Extra					
V4A 1.4404 /1.4571	Seawater Resistant Cover & Stainless Steel Piping 25mm		NEW 255,470	273,353	*
TBA	Condensate Treatment, Oil water separator		NEW 255,470	273,353	*

บริษัทไต้ฟ ซัพพลาย จำกัด

ข้อตกลงและเงื่อนไข

เงื่อนไขทั่วไป

ในการเป็นตัวแทนจำหน่ายของบริษัทไต้ฟ ซัพพลายและได้รับประโยชน์จากราคาขายส่ง จะต้องมีความสมบัติอย่างน้อยหนึ่งข้อดังนี้

- มีธุรกิจร้านค้าหรือสำนักงานพร้อมโซลูชันสินค้าสำหรับการขายปลีก
- มีเรือสำหรับจัดทัวร์ดำน้ำ
- เป็น PADI Course Director
- ให้บริการจัดทัวร์ Snorkeling โดยมีเรือเป็นของตนเอง
- มีกิจการโรงแรมหรือรีสอร์ท

ผู้สนใจสามารถกรอกรายละเอียดลงในแบบฟอร์มการสมัครตัวแทนจำหน่าย พร้อมเอกสารสำเนาการจดทะเบียนบริษัท สำหรับผู้ที่ไม่มีความสมบัติดังกล่าว จะไม่ได้รับอนุญาตให้ซื้อสินค้าในราคาส่ง จากบริษัทไต้ฟ ซัพพลาย

ข้อตกลงในการชำระเงิน

ผู้ลงทะเบียนใหม่จะต้องมีความสมบัติดังกล่าวข้างต้น พร้อมยื่นเอกสารครบถ้วน สำหรับการสั่งซื้อในครั้งแรกจะต้องมีการชำระเงินทันทีเมื่อได้รับสินค้า สำหรับลูกค้าที่มีบัญชีเครดิต หากยอดค้างชำระเกินกว่าวงเงินเครดิต บริษัทขอสงวนสิทธิ์ไม่จัดส่งสินค้าจนกว่าจะได้รับการชำระเงินเป็นที่เรียบร้อย เงื่อนไขดังกล่าวนี้ขึ้นอยู่กับวันที่ใบส่งของ (INVOICE) กรณีที่การชำระเงินล่าช้า บริษัทจะขอคิดค่าธรรมเนียมในอัตราสูงสุดตามที่กฎหมายกำหนด นับจากวันที่มีการออกใบส่งของ (INVOICE)

นโยบายการคืนสินค้า

สินค้าที่มีการชำรุด/เสียหาย ซึ่งอาจจะถูกซ่อมหรือเปลี่ยน ทั้งนี้ขึ้นอยู่กับดุลยพินิจของบริษัทฯ สำหรับการขอคืนสินค้าที่ไม่มีการชำรุด/เสียหาย บริษัทฯจะคิดค่าธรรมเนียม 15%ของราคาสินค้า และสินค้าต้องอยู่ในสภาพที่สมบูรณ์

นโยบายการส่งสินค้า

บริษัทฯจะไม่รับผิดชอบต่อความเสียหายใดๆที่เกิดขึ้นจากผู้ขนส่ง หลังจากที่สินค้าถูกส่งออกจากคลังสินค้าของบริษัทฯ กรณีที่ต้องการร้องเรียนสินค้าที่ขาดตกบกพร่อง กรุณาติดต่อไต้ฟ ซัพพลายภายใน 48 ชั่วโมง

นโยบายการส่งสินค้านำกลับ

กรณีสินค้าที่ลูกค้าสั่งไม่มีอยู่ในคลัง ณ ขณะนั้น ทางบริษัทฯจะทำการเก็บบันทึกข้อมูลไว้และเมื่อสินค้านั้นๆมาถึงคลังสินค้า บริษัทฯขอสงวนสิทธิ์ที่จะทำการจัดส่งให้โดยไม่มีการแจ้งให้ทราบอีกครั้ง เว้นแต่กรณีลูกค้าขอให้แจ้งให้ทราบก่อนส่งสินค้า

นโยบายส่วนลดและราคา

เนื่องจากทางบริษัทฯมีการแนะนำราคาขายปลีกให้กับลูกค้าแล้วนั้น เราจึงขอแนะนำว่าการให้ส่วนลดกับลูกค้าปลีก ไม่ควรให้เกินกว่า 20%จากราคาขายปลีกที่บริษัทฯแนะนำ และทางบริษัทฯไม่แนะนำให้ขายสินค้าในราคาส่งหรือราคาที่บวกเพิ่มจากราคาส่งเพียงเล็กน้อย หากบริษัทฯตรวจพบจะทำการงดจำหน่ายสินค้านั้นๆ และหากกรณีนี้ยังเกิดขึ้นอีกในภายหลัง บริษัทฯขอสงวนสิทธิ์ในการยกเลิกสัญญาซื้อขาย

การรับประกันสินค้า

สินค้าที่อยู่ในการรับประกัน ในกรณีที่ต้องการเปลี่ยนหรือซ่อม ลูกค้าจะต้องรับผิดชอบค่าใช้จ่ายในการจัดส่งมาที่บริษัทฯ หรือสาขาขึ้นอยู่กับสถานที่ที่ซื้อสินค้า กรณีที่สินค้าเกิดชำรุด/เสียหายและยังอยู่ภายใต้การรับประกัน บริษัทฯจะทำการเปลี่ยนหรือซ่อมให้ ทั้งนี้ขึ้นอยู่กับเงื่อนไขของแต่ละผู้ผลิตแบรนด์นั้นๆ

ทุกๆการขอรับประกันสินค้าจะต้องมีการแนบเอกสารการซื้อสินค้า (INVOICE) ด้วยทุกครั้ง

ขอสงวนสิทธิ์ในการเปลี่ยนแปลงราคาโดยไม่ต้องแจ้งให้ทราบล่วงหน้า

DIVE SUPPLY

DIVE SUPPLY HISTORY

Diving & Snorkeling Equipment Wholesale Specialist

Dive Supply is the leading distributors and wholesalers of major brand names in South East Asia and is the exclusive distributor for Scubapro, Subgear, Suunto, Seac, Pelican, Saekodive, Bauer, Luxfer, OMS, Intova, Tovatec, Snap Sights, Poseidon and Deep Blue Products.

We operate from our 1,500 sqm custom built warehouse in Chalong, Phuket, where we have a fully equipped service center.

If you are looking for the leading brands in Diving and Snorkeling Equipment along with value for money and excellent customer service then Dive Supply is the place to come.

We have a product portfolio which is second to none and we are the main distributor for PADI materials throughout Thailand.





DIVE SUPPLY TERMS AND CONDITIONS

GENERAL TERMS

To become a DIVE SUPPLY Dealer and benefit from trade prices, at least one of the criteria below must be fulfilled:

- Operate a shop or office with goods on display for retail business
- Operate a live aboard vessel
- Be a PADI Course Director
- Be a snorkel or tour operator with your own boat
- Operate a hotel or resort

The applicant is required to fill out our dealership application form and submit a copy of the company registration. Individuals who do not meet the above requirements are strictly prohibited from purchasing at trade prices from DIVE SUPPLY.

PAYMENT TERMS

New accounts must meet the dealer requirements and complete a dealership application. First orders to new dealers will only be shipped cash on delivery. For overdue accounts DIVE SUPPLY will not ship goods until full payment is received. Terms are based on date of invoice. A finance charge based on the maximum percentage permitted by the applicable law shall be added to late payments calculated from the date the invoice was issued.

RETURN POLICY

Defective merchandise shall be repaired or replaced at DIVE SUPPLY's discretion. The return of sellable merchandise is subject to a 15% restocking and repacking fee. A return authorization is required from DIVE SUPPLY.

SHIPPING POLICY

All prices are ex warehouse and shipments will not be insured. DIVE SUPPLY shall not be held responsible for any damage or shortage, which is caused by the carrier. Shortages or damage claims to the carrier and to DIVE SUPPLY must be made within 48 hours upon receipt of goods.

BACK ORDER POLICY

Back orders shall automatically be shipped unless agreed otherwise.

PRICE POLICY AND DISCOUNTS

In the interest of all market participants DIVE SUPPLY recommends standard discounts offered to retail customers do not exceed 20% from our recommended retail prices. DIVE SUPPLY does not endorse the sale or passing on of our products to third parties at trade prices or at slightly higher prices. DIVE SUPPLY reserves the right to discontinue the supply of certain product lines to customers who do not follow this rule and in repeated cases to terminate the business agreement with the respective customer.

WARRANTY

Trade customers are required to send (postage paid) all items for repair or replacement to the DIVE SUPPLY shop/branch where the goods were purchased. In line with DIVE SUPPLY's warranty policy, defective items shall be replaced or repaired. However special regulations may apply to different brands according to the specific terms and conditions of DIVE SUPPLY's suppliers.

All warranty claims must be accompanied by a copy of the original purchase invoice.

PRICES ARE SUBJECT TO CHANGE WITHOUT PRIOR NOTICE!

Dive Supply Main Office (Phuket)

sales@divesupply.com

Tel : +66 (0) 76 383 414-6

Fax : +66 (0) 76 281 525

Koh Tao Dive Supply

info@kohtaodivesupply.com

Tel : +66 (0) 77 456 162

Fax : +66 (0) 77 456 163

Bangkok Dive Supply

contact@divesupplybkk.com

Tel : +66 (0) 2 354 4815

Fax : +66 (0) 2 354 4819

Samui Dive Supply

info@samuidivesupply.com

Tel : +66 (0) 77 230 063

Fax : +66 (0) 77 230 186

Koh Chang Dive Supply

kohchangdivesupply@gmail.com

Tel : +66 (0) 39 551 518

Fax : +66 (0) 39 551 519