



Soundmate Active 3 MK-II

ORDERCODE D3222



SHOWELECTRONICS FOR PROFESSIONALS

Congratulations!

You have bought a great, innovative product from DAP Audio.

The DAP Audio SoundMate Active 3 MKII brings excitement to any venue. Whether you want simple plug-&-play action or a sophisticated show, this product provides the effect you need.

You can rely on DAP Audio, for more excellent audio products.

We design and manufacture professional audio equipment for the entertainment industry.

New products are being launched regularly. We work hard to keep you, our customer, satisfied.

For more information: iwant@dap-audio.info

You can get some of the best quality, best priced products on the market from DAP Audio.

So next time, turn to DAP Audio for more great audio equipment.

Always get the best -- with DAP Audio !

Thank you!



Warning.....2
 Unpacking Instructions.....2
 Return Procedure.....3
 Safety-instructions.....
 Operating Determinations.....

Description.....5
 Features.....5
 Overview.....5

Set Up and Operation.....7

Product Specifications.....11

WARNING

**FOR YOUR OWN SAFETY, PLEASE READ THIS USER MANUAL CAREFULLY
BEFORE YOUR INITIAL START-UP!**

Unpacking Instructions

Immediately upon receiving this product, carefully unpack the carton and check the contents to ensure that all parts are present, and have been received in good condition. Notify the dealer immediately and retain packing material for inspection if any parts appear damaged from shipping or the carton itself shows signs of mishandling. Save the carton and all packing materials. In the event that a fixture must be returned to the factory, it is important that the fixture be returned in the original factory box and packing.

Your shipment includes:



- 4 Subwoofers
- 2 Satellite speakers
- 4 XLR – cables
- 6 IEC power cables
- 6 Rain/dustcovers
- Carrying bag for cables
- IEC cable
- User manual

 **CAUTION!** 
Keep this system away from rain and moisture!

SAFETY INSTRUCTIONS

Every person involved with the installation, operation and maintenance of this system has to:

- be qualified
- follow the instructions of this manual

 **CAUTION! Be careful with your operations.** 
**With a dangerous voltage you can suffer
a dangerous electric shock when touching the wires!**

Before you initial start-up, please make sure that there is no damage caused by transportation. Should there be any, consult your dealer and do not use the system.

To maintain perfect condition and to ensure a safe operation, it is absolutely necessary for the user to follow the safety instructions and warning notes written in this manual.

Please consider that damages caused by manual modifications to the system are not subject to warranty.

This system contains no user-serviceable parts. Refer servicing to qualified technicians only.

IMPORTANT:

The manufacturer will not accept liability for any resulting damages caused by the non-observance of this manual or any unauthorized modification to the system.

- Never let the power-cord come into contact with other cables! Handle the power-cord and all connections with the mains with particular caution!
- Never remove warning or informative labels from the unit.
- Never use anything to cover the ground contact.
- Do not insert objects into air vents.
- Do not connect this system to a dimmerpack.
- Do not switch the system on and off in short intervals, as this would reduce the system's life.
- Only use system indoor, avoid contact with water or other liquids.
- Avoid flames and do not put close to flammable liquids or gases.
- Always disconnect power from the mains, when system is not used. Only handle the power-cord by the plug. Never pull out the plug by tugging the power-cord.
- Make sure you don't use the wrong kind of cables or defective cables.
- Make sure that the signals into the mixer are balanced, otherwise hum could be created.
- Make sure you use DI boxes to balance unbalanced signals; All incoming signals should be clear
- Make sure that there is sufficient room on all sides of the system for air circulation
- Make sure that the available voltage is not higher than stated on the rear panel.
- Make sure that the power-cord is never crimped or damaged. Check the system and the power-cord from time to time.
- Prevent distortion! Make sure that all components connected to the SoundMate have sufficient power ratings. Otherwise distortion will be generated because the components are operated at their limits.
- Avoid ground loops! Always be sure to connect the power amps from the SoundMate cabinets and the mixing console to the same electrical circuit to ensure the same phase!
- If system is dropped or struck, disconnect mains power supply immediately. Have a qualified engineer inspect for safety before operating.
- If the system has been exposed to drastic temperature fluctuation (e.g. after transportation), do not switch it on immediately. The arising condensation water might damage your system. Leave the system switched off until it has reached room temperature.
- Repairs, servicing and electric connection must be carried out by a qualified technician.

OPERATING DETERMINATIONS

This system is not designed for permanent operation. Consistent operation breaks will ensure that the system will serve you for a long time without defects.

If this system is operated in any other way, than the one described in this manual, the product may suffer damages and the warranty becomes void.

Any other operation may lead to dangers like short-circuit, burns, electric shock, etc.


You endanger your own safety and the safety of others!

Improper installation can cause serious damage to people and property !

Connection with the mains

Connect the device to the mains with the power-plug.

Always pay attention, that the right color cable is connected to the right place.

International	EU (including UK) From April 2004	North America	Pin
L	Brown	Black	Phase
N	Blue	White	Neutral
	Green/Yellow	Green	Protective Earth

Make sure that the device is always connected properly to earth!

Return Procedure

Returned merchandise must be sent prepaid and in the original packing, call tags will not be issued. Package must be clearly labeled with a Return Authorization Number (RMA number). Products returned without an RMA number will be refused. Highlite will not accept the returned goods or any responsibility. Call Highlite 0031-455667723 or mail aftersales@highlite.nl and request an RMA prior to shipping the fixture. Be prepared to provide the model number, serial number and a brief description of the cause for the return. Be sure to properly pack fixture, any shipping damage resulting from inadequate packaging is the customer's responsibility. Highlite reserves the right to use its own discretion to repair or replace product(s). As a suggestion, proper UPS packing or double-boxing is always a safe method to use.

Note: If you are given an RMA number, please include the following information on a piece of paper Inside the box:

- 1) Your name
- 2) Your address
- 3) Your phone number
- 4) A brief description of the symptoms

Claims

The client has the obligation to check the delivered goods immediately upon delivery for any shortcomings and/or visible defects, or perform this check after our announcement that the goods are at their disposal. Damage incurred in shipping is the responsibility of the shipper; therefore the damage must be reported to the carrier upon receipt of merchandise.

It is the customer's responsibility to notify and submit claims with the shipper in the event that a fixture is damaged due to shipping. Transportation damage has to be reported to us within one day after receipt of the delivery.

Any return shipment has to be made post-paid at all times. Return shipments must be accompanied with a letter defining the reason for return shipment. Non-prepaid return shipments will be refused, unless otherwise agreed in writing.

Complaints against us must be made known in writing or by fax within 10 working days after receipt of the invoice. After this period complaints will not be handled anymore.

Complaints will only then be considered if the client has so far complied with all parts of the agreement, regardless of the agreement of which the obligation is resulting.

Description of the device

Features

SoundMate Active 3 MKII is a fullrange active system with :

- 4 subwoofers 15" 600 watt
- 2 mid/high (fullrange) 1" CD horn + 12" satellite speakers 600 Watt.
- 4 XLR - cables
- 6 rain / dustcovers

Overview Satellite



Fig. 1

- 1 Ground Lift
- 2 Signal Input
- 3 Signal Through
- 4 Volume / Gain
- 5 IEC Power Connector
- 6 Power Switch
- 7 Fuse T5A
- 8 Air Cooling Window

Overview Subwoofer

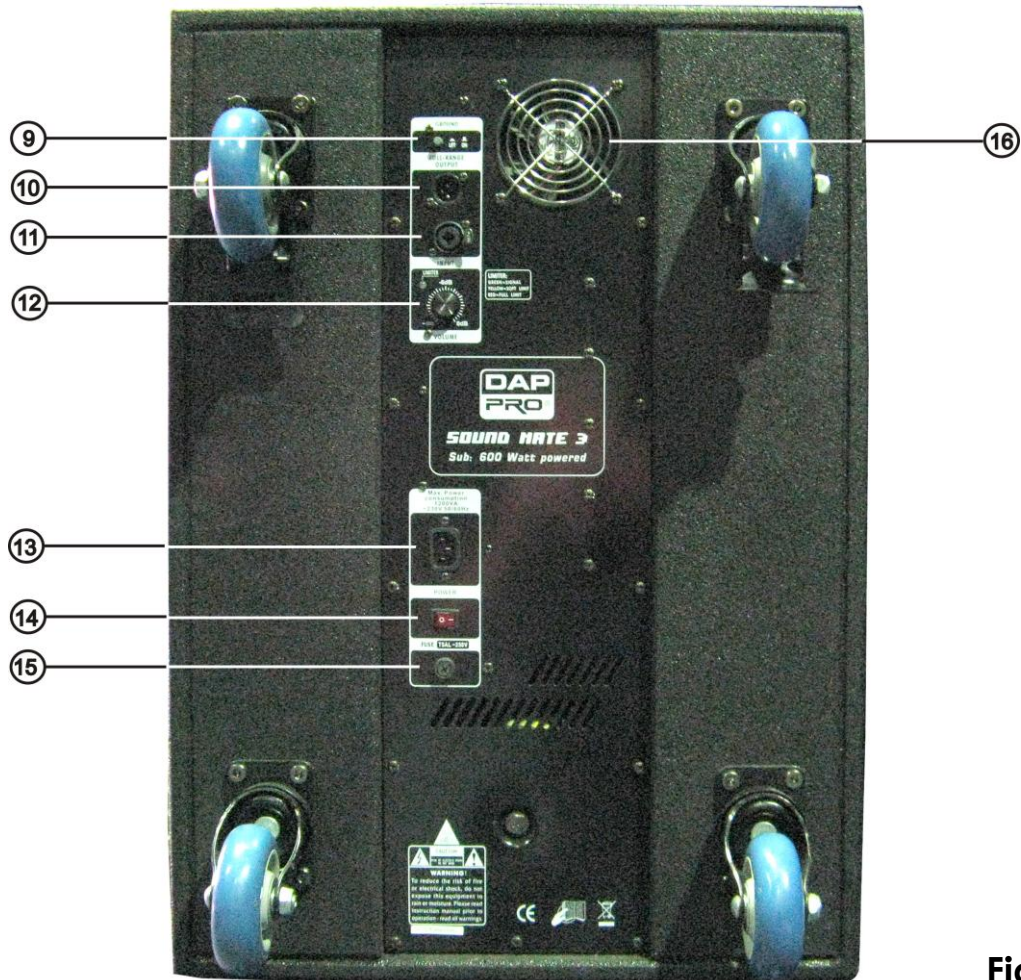


Fig. 2

- 9 Ground Lift
- 10 Signal Through
- 11 Signal Input
- 12 Volume / Gain
- 13 IEC Power Connector Fuse T5A
- 14 Power Switch
- 15 Fuse T5A
- 16 Air Cooling Window

Set Up and Operation

The DAP SoundMate Active MKII systems are expanding in a unstoppable manner. In addition to the already existing SoundMate Active 1 & 2 MKII, we present to you the SoundMate Active 3 MKII! Every day more users find their way to these amazing active soundsystems, which are powerful, versatile and last but not least affordable! This system is the biggest active set so far and is designed for live acts and bigger playback situations. One system holds 2 fullrange active "towers" each containing 3 speaker enclosures: 1 Satellite and 2 basscabinets. Both subwoofers and tops are equipped with mounting collars, making it easy, if desired, to operate the top as a stand-alone system when mounted on a speaker stand. The amplifier-section is built-in. Each subwoofer consists of 2 separate power-amplifiers, bridged together. Each top unit also consists of 2 bridged power-amplifiers, Each top unit has an advanced built in passive crossover. Further built-in are the electronic 24dB/oct Linkwitz Riley crossovers, frequency response correction circuits, breaker circuitry.

The satellite

The SoundMate Active 3MKII satellite is designed to produce a mid/high spectrum of sound. The satellite is equipped with a 12" LF loudspeaker and 2" HF driver with a horn with a dispersion of 60°x40°. The built-in amplifier delivers 600W pure sound.

The subwoofer

Feel the bass with this 15" basscabinet. The cabinet is powered through a powerful 600W amplifier. The castors makes the unit easy to move and thanks to this feature it is a real road proof system and is it even suitable to carry a satellite cabinet.

It's easy to set up; All you have to do is set up the system components, connect the signal-carrying cables and power cords and you're ready to roll. The set comes with ALL necessary accessories: cables and even dust-/raincovers!!!

Linking Satellites / Subwoofers

Connect the cables coming from the mixer to the balanced INPUT socket of any component. Depending on the mixer's output sockets use either a jack or XLR cable. Link the units as shown in figure 3 on page 7. Connect a standard XLR microphone cable from the first unit's THROUGH output socket to the second unit's INPUT socket. Repeat this process to link subsequent units. Repeat this for each stack. Make sure that when using multiple tops, they are placed with a proper projection angle.

Do not supply power before all components of the system are set up and connected properly. Make sure that the SoundMate system is always the last component, which is switched on! When shutting down, the SoundMate should be the first system, which is switched off.

Below you will find a short description of the features from the SoundMate Active 3 MKII :

Ground Lift (1+9)

When this button is pressed, it separates the signal ground from the chassis ground, enabling you to eliminate potential ground loops or low-frequency hum.

Through (2+10)

This parallel output allows you to connect more satellites or bass-cabinets together.

Input (3+11)

The input equipped with 3 pole XLR/ jack combo socket is electronically balanced to accept the (line) signal from any mixing console.

Volume / Gain (4+12)

This allows you to adjust the audio level.

Mains Socket (5 +13)

Plug one end of the electric mains power cord into the IEC socket on the unit. Then plug the other end of the cord into a proper electric power supply socket. Make sure that the available voltage is not higher than stated on the rear panel. Before plugging the unit in, always make sure that the power supply matches the product specification voltage. Do not attempt to operate a 120V specification product on 230V power, or vice versa

Mains Switch (6+14)

Do not supply power before the whole system is set up and connected properly.

Fuse (7+15)

An external fuse protects your system for any damage caused by electrical failures.

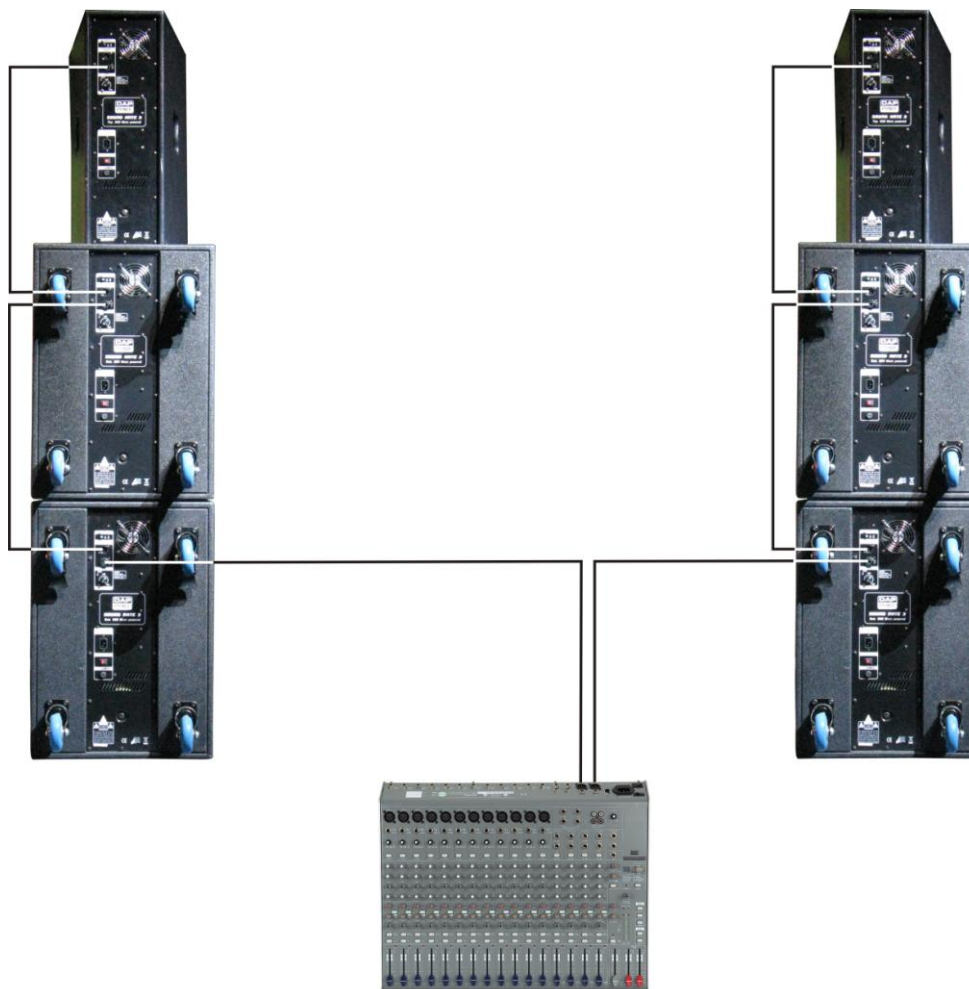


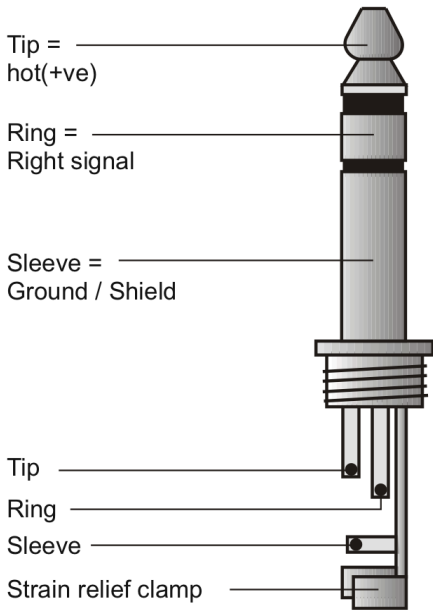
Fig. 3

Connection Cables

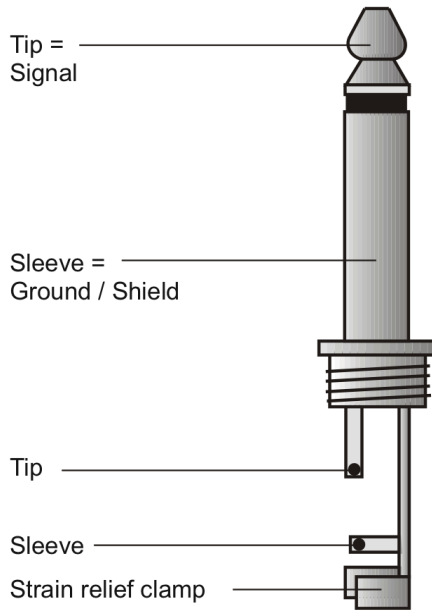
Take care of the connector cables, always holding them by the connectors and avoiding knots and twists when coiling them: This gives the advantage of increasing their life and reliability, which is always to your advantage.

Periodically check that your cables are in good condition, that they are correctly wired and that all their contacts are in good condition: a great number of problems (faulty contacts, ground hum, discharges, etc.) are caused entirely by using unsuitable or faulty cables.

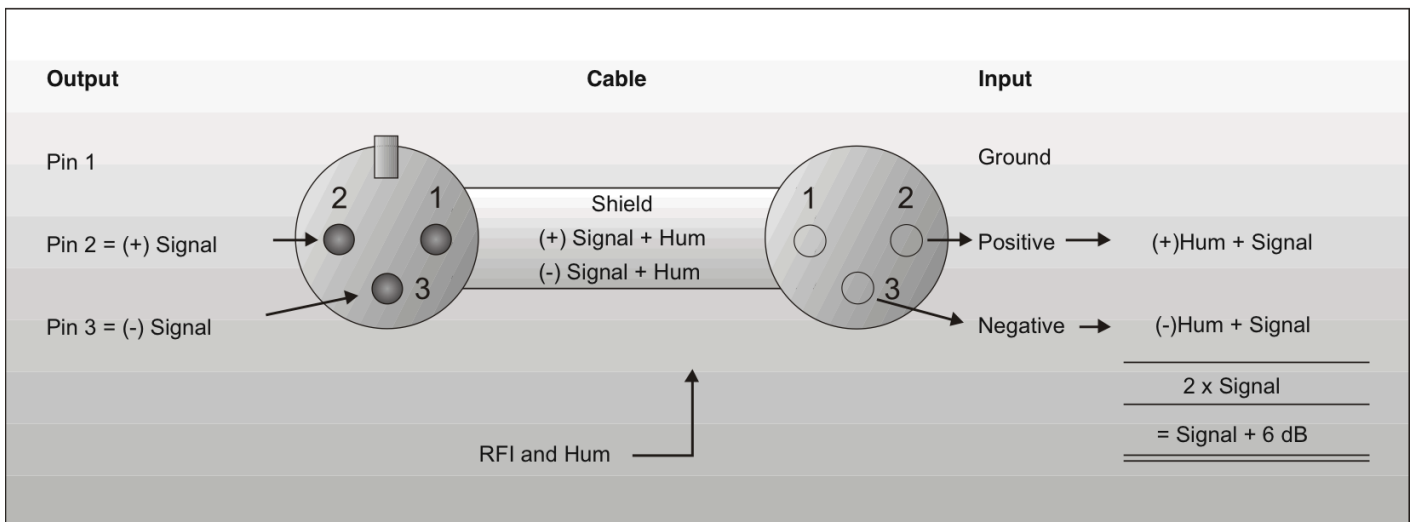
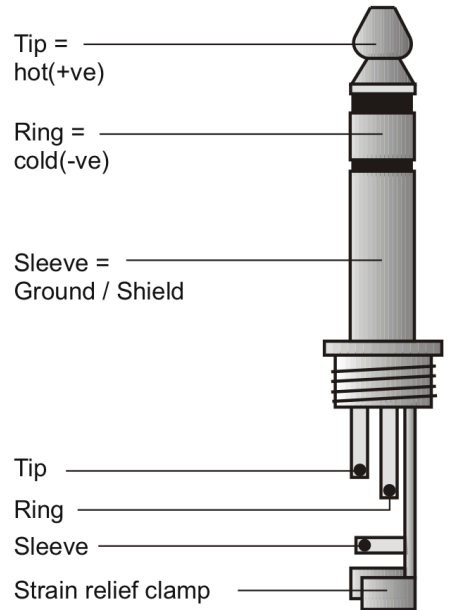
Headphones plug



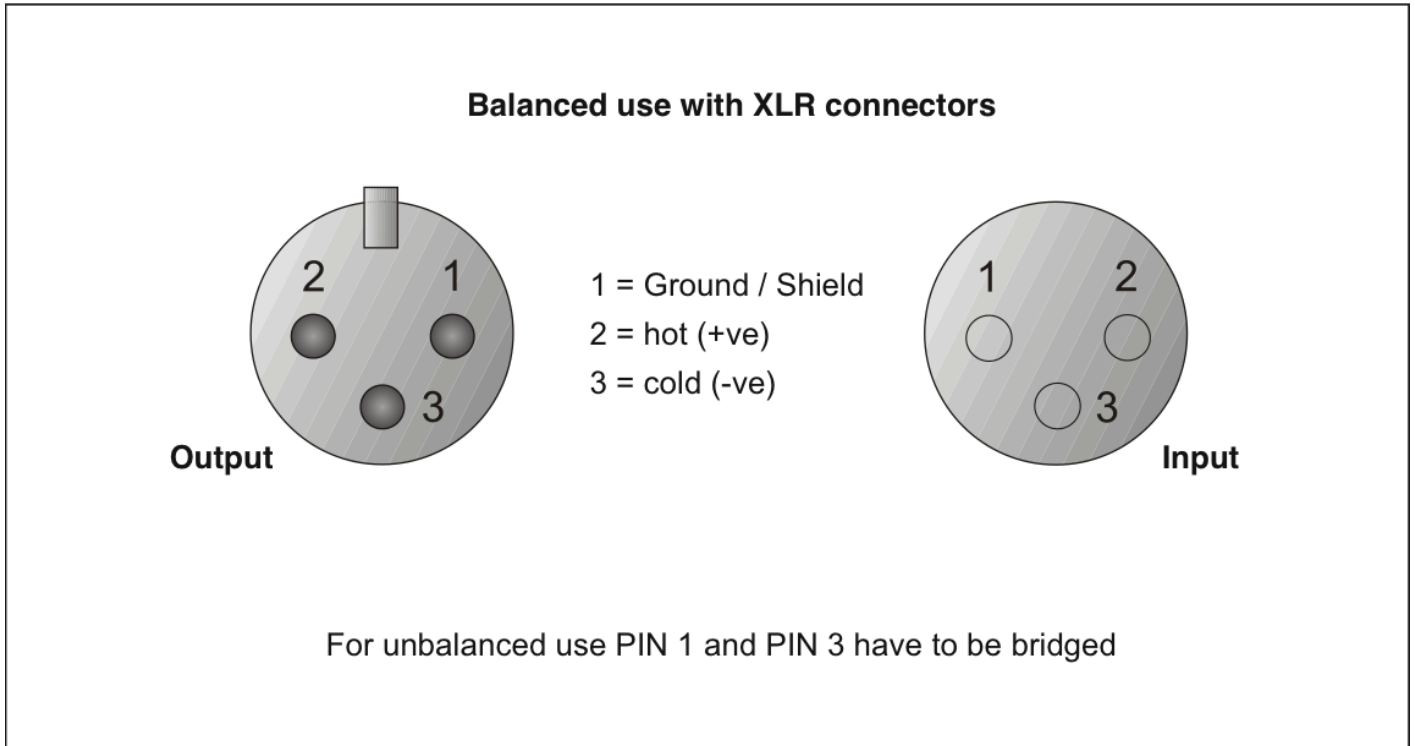
Unbalanced mono 1/4" jack plug



Balanced mono 1/4" jack



Compensation of interference with balanced connections



Maintenance

The DAP Audio SoundMate Active 3 MKII requires almost no maintenance. However, you should keep the unit clean. Disconnect the mains power supply, and then wipe the cover with a damp cloth. Do not immerse in liquid. Do not use alcohol or solvents. Keep connections clean. Disconnect electric power, and then wipe the audio connections with a damp cloth. Make sure connections are thoroughly dry before linking equipment or supplying electric power.

Replacing a Fuse

Power surges, short-circuit or inappropriate electrical power supply may cause a fuse to burn out. If the fuse burns out, the product will not function whatsoever. If this happens, follow the directions below to do so.

1. Unplug the unit from electric power source.
2. Insert a screwdriver into the slot in the fuse cover. Turn the screwdriver to the left, at the same time gently push a bit (Turn and Push). The fuse will come out.
3. Remove the broken fuse. If brown or unclear, it is burned out.
4. Insert the replacement fuse into the holder where the old fuse was. Reinsert the fuse cover.
Be sure to use a fuse of the same type and specification. See the product specification label for details.

Troubleshooting

This troubleshooting guide is meant to help solve simple problems. If a problem occurs, carry out the steps below in sequence until a solution is found. Once the unit operates properly, do not carry out following steps.

1. If the device does not operate properly, unplug the device.
2. Check the fuse, power from the wall, all cables, etc.
3. If all of the above appears to be O.K., plug the unit in again.
4. If you are unable to determine the cause of the problem, do not open the device, as this may damage the unit and the warranty will become void.
5. Return the device to your Dap Audio dealer.

Specifications

Inputs

Subwoofer

Line IN Connector XLR / jack combo socket female
Input design electronically balanced & floating
Input impedance 47 k Ω
Sensitivity 0 dB

Satellite

Line IN Connector XLR / jack combo socket female
Input design electronically balanced & floating
Input impedance 47 k Ω
Sensitivity 0 dB

Outputs

Subwoofer

Parallel Out Connector: XLR socket male

Satellite

Parallel Out Connector: XLR socket male

Active Crossover

Crossover Subwoofer / Satellite freq. 160 Hz
Roll off 24 dB/ Octave

Amplifiers

Power output Subwoofer 600 W / 8 Ω at 1% THD
Power output per Satellite 600 W / 8 Ω at 1% THD

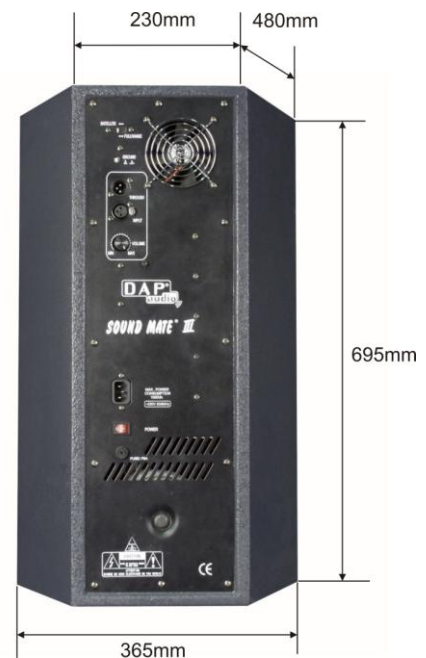
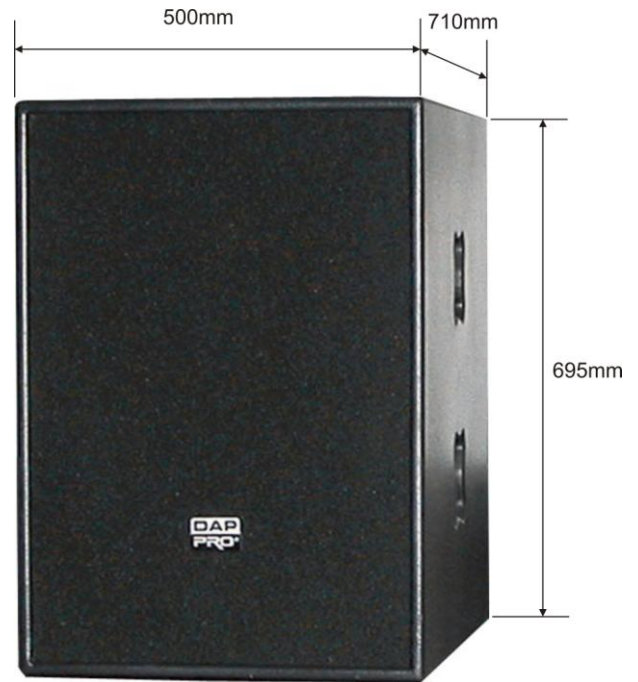
Speakers

Subwoofer Specifications

Driver 1x 15"
Nominal impedance 8 Ω
Power handling nom. 600 W RMS
Frequency response 38 – 160Hz, -3dB
Sensitivity 1W/1m axial 103dB (halfspace)
Amplifier power 600W RMS 8 Ω
Dimensions (WXDXH) 500 x 695 x 710 mm
Weight 56 Kg

Satellites

Titanium Monitor Driver 2" with CD-Horn 60°x40°
1x 12" speaker
Nominal impedance 8 Ω
Power handling nom. 600 W RMS
Frequency response 160Hz - 16 kHz, -3dB
Crossover frequency 2kHz (passive)
Sensitivity 1W/1m axial 99dB (fullspace)
Amplifier power 600W RMS 4 Ω
Dimensions (WXDXH) 365 x 695 x 480 mm
Weight 37 Kg



Included

- 4 XLR cables
- 6 IEC Power cables
- 1 Carrying bag for cables
- 6 Rain/dustcovers



Design and product specifications are subject to change without prior notice.



Website: www.Highlite.nl

Email: service@highlite.nl





© 2008 DapAudio.