



A Marley Engineered Products Brand

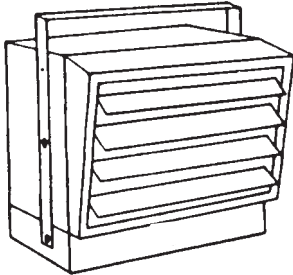
470 Beauty Spot Rd. E, Bennettsville, SC 29512

**SUBMITTAL SHEET
HUH SERIES
INDUSTRIAL UNIT HEATERS**

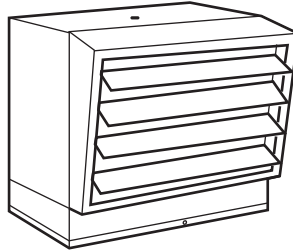
HUH SERIES - INDUSTRIAL UNIT HEATERS

CAPACITIES
5, 7.5, 10, 15, 208, 240, 480, 600 V 1Ø or 3Ø
20, 25, 30 KW 480 or 600V 3Ø

See Selection Chart



5 & 7.5 KW Models



10 & 30 KW Models



ITEM	QTY.	CAT. NO.	TAG	HEATER			AMPS	CONTROL CKT. MOTOR VOLTS	MOTOR VOLT	AIR FLOW		THROW	BUILT-IN CONTROLS
				KW	VOLTS	Ø				CFM	FAHRENHEIT RISE		

**ACCESSORIES
AND
CONTROLS**

ITEM	QTY.	CAT. NO.	TAG	DESCRIPTION

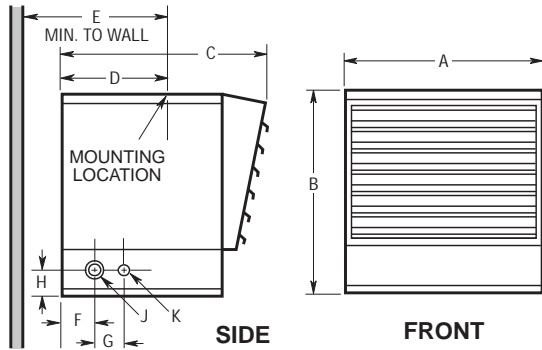
SUBMITTED BY:	DATE

APPROVED BY:	DATE



A Marley Engineered Products Brand
 470 Beauty Spot Rd. E, Bennettsville, SC 29512

DIMENSIONS



CONTROLS & ACCESSORIES

CATALOG NUMBER	DESCRIPTION
CWB-1	Combination wall/ceiling bracket for 5KW thru 15KW units.
CWB-2	Same as above but for 20KW thru 30KW units.
HUHTA-1	Single pole thermostat kit 60-120°F temp. range for field installation in all units except 3Ø HUH520SA & HUH524SA
HUHTA-2	Double pole thermostat kit (60-120°F) for 3Ø HUH520SA & HUH524SA.
DS-30	3-pole power disconnect switch kit for field installation on all horizontal unit heaters rated 30 amps. or less.
DS-63	3-pole power disconnect switch kit for field installation on all horizontal unit heaters 10KW and above rated at 30 to 63 amps.
SW	Summer/Winter fan switch kit for field installation, built-in or remote for all units. Provides summer fan operation.

KW SIZE	A	B	C	D	E	F	G	H	J	K
5-7.5	14"	12 1/2"	12 3/8"	5 1/2"	13"	1 3/4"	1 3/8"	1 1/2"	(2) 1/2", 3/4"	1/2"
10-20	18"	18"	17 1/2"	9 15/32"	*	2"	2 1/2"	2 1/4"	(2) 3/4", 1"	(3) 1", 1 1/4", 1 1/2"
25-30	26"	24"	23 1/8"	9 15/32"	20"	2"	2 3/4"	2 1/4"	(2) 1", 1 1/2"	(3) 1", 1 1/2", 2"

*13" for 10-15 KW units; 16" for 20 KW unit.

SELECTION CHART

CATALOG NUMBER	KW. CAP.	BTU/HR.	HTR. VOLT	PHASE	THREADED ROD SIZE	HEATER AMPS		FAN MTR. HP OR WATTS	CONT. CKT. & FAN MOTOR VOLTAGE	FAN MOTOR RPM	AIR VOL. CFM	AIR TEMP. RISE	THROW	MAX MTG. HT.	WT. (Lbs.)
						1Ø	3Ø								
HUH-520SA HUH-524SA HUH-548SA HUH-560SA	5	17.0	208 240 480 600	1-3 1-3 1-3 3	1/2"-13 NC	20.8 24.0 10.4 -	12.5 13.8 6.0 4.8	6.0W	208 240 240 240	1400	270	60°F	16'	8'	26
HUH-724SA HUH-748SA HUH-760SA	7.5	25.6	240 480 600	1-3 1-3 3	1/2"-13 NC	31.3 15.6 -	18.1 9.0 7.2	6.0W	240 240 240	1400	270	85°F	18'	8'	31
HUH-1024M HUH-1048M HUH-1060M	10	34.1	240 480 600	1-3 1-3 3	1/2"-13 NC	43.3 21.6 -	25.7 12.8 9.6	1/10 HP	240 240 240	1550	500	63°F	20'	9'	72
HUH-1524M HUH-1548M HUH-1560M	15	51.2	240 480 600	1-3 1-3 3	1/2"-13 NC	64.1 32.1 -	37.7 18.8 14.5	1/10 HP	240 240 240	1550	750	63°F	28'	11'	68 78 80
HUH-2048M HUH-2060M	20	68.2	480 600	1-3 3	1/2"-13 NC	42.5 -	24.8 19.3	1/10 HP	240	1550	1000	63°F	32'	13'	78 80
HUH-2548L HUH-2560L	25	85.2	480 600	3 3	1/2"-13 NC	- -	31.1 24.0	1/3 HP	240	1550	1300	61°F	34'	14'	136 142
HUH-3048L HUH-3060L	30	102.2	480 600	3 3	1/2"-13 NC	- -	36.9 28.9	1/3 HP	240	1550	1800	53°F	38'	15'	142

ARCHITECT'S AND ENGINEER SPECIFICATIONS*

Furnish and install where indicated on plans, electric unit heaters suitable for small and large areas and UL and CUL listed for wall or ceiling mounting.

The cabinet shall be made of 22 gauge steel, welded and phosphate coated to resist corrosion. Side, front and back panels shall be removable without dismantling the heater by removing four screws from inside the control compartment, thus permitting full access to the elements and fan motor areas. Individual adjustable louvers with 30 degree downward stops shall be furnished to provide desired control of discharge air. The control compartment shall be located at the bottom of the cabinet and provided with a swing down hinged cover to permit full access for cleaning and servicing without dismantling the heater. All heater and control wiring shall terminate inside the control compartment. The heater shall be provided with combination wall I ceiling bracket for 5.0 KW and 7.5 KW units and shall have capability to full horizontal and vertical positions. The cabinet shall be finished in a neutral gray epoxy paint. The heating element shall be of the non-glowing design consisting of 80/20 nickel-chromium

resistance wire, embedded in magnesium oxide and enclosed in a metal sheath to which metal plated fins are copper brazed. The elements shall be painted with aluminized paint for corrosion resistance and cover the entire discharge area for uniform heating. The heating elements shall be warranted for 5 years.

The fan motor shall be totally enclosed, permanently lubricated impedance protected, and of unit bearing design suitable for horizontal or vertical operation with high starting and running torques. (5.0 KW & 7.5 KW units) The fan motor shall be totally enclosed, permanently lubricated, thermal protected and of double bearing design with high starting and running torques. (10.0 KW through 30.0 KW units) The fan blade shall be aluminum and directly connected to the fan motor, designed specifically for unit heater application.

The fan control shall be of the bi-metallic snap action type and shall activate fan motor after heating elements reach operating temperature and continue to operate the fan motor after thermostat is satisfied and until the heating elements cool.

A thermal cutout shall be built into the system to automatically shut off the heater in the event of overheating and reactivate when temperature returns to normal.

The heater shall be proved with a factory installed, heavy duty, three pole contractor providing quiet, efficient operation, making external contacts and additional wiring unnecessary.

Optional controls and accessories:

- a. Single pole built-in thermostat
- b. Three pole built-in disconnect switch (30 amp rated)
- c. Three pole built-in disconnect switch (63 amp rated)
- d. Summer I Winter built-in fan switch
- e. Combination wall I ceiling bracket

Heaters shall be HUH series as manufactured by Berko, a Marley Engineered Products Brand, Bennettsville, SC.

*Marley Engineered Products reserve the right to change specifications without prior notice.