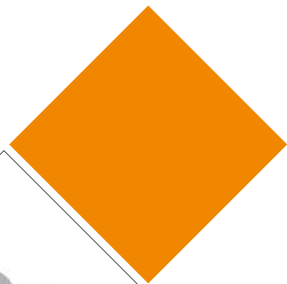


MATE
USA



RUB RAILS



TESSILMARE®



ABOUT US

MATE USA was developed thanks to the partnership between **Tessilmare** and **Marco**, two of the world's premier marine product suppliers.

Tessilmare is renowned for providing some of the most affordable, durable, and attractive ranges of rub rails anywhere in the world.

Founded in Italy in 1947, you know you're getting a high quality product, with a precision finish.

Marco produces and sells one of the most comprehensive ranges of pumps and horns available worldwide.

Founded in Italy in 1970, they supply products to international manufacturers in the marine, automotive, industrial and agricultural sectors using the most advanced technology and the highest International Quality Standards.

The international experience of both Italian companies is the base on which **MATE USA** built their ambitious distribution plan.

Through market research and global innovation, **MATE USA** is constantly growing and expanding to meet global demand.

MATE USA understands what it takes to be successful in a high-speed, online, global marketplace.

The company has been providing top of the line, affordable and durable marine products throughout the United States for almost 10 years.

As part of its ongoing commitment to excellence and product innovation, **MATE USA** has constantly been striving to upgrade its services and products. **MATE USA** has an ever-increasing number of partners and distributors across North America. They are also attending over 25 trade shows and exhibition shows this year.

MATE USA is structured for daily deliveries.

That means that when you order your products from **MATE USA**, they'll be on their way to you within 24-hours!



BINOX RUB RAIL

THE FIRST. BEYOND IMAGINATION.

The BinoX Stainless Steel 316 L Rub Rail is fitted without the use of unsightly screws and attachments.

One of the biggest drawbacks to any traditional Rub Rail is the installation process. The BinoX Rub Rail is set to revolutionize the Rub Rail industry around the world. There are no holes in the stainless-steel bar. It is pressure fitted into the base PVC allowing for a seamless and attractive finish.



HIGH RESISTANCE.
AND NO MORE RUST.



binox

THE FIRST STAINLESS STEEL RUB RAIL WITHOUT SCREWS.

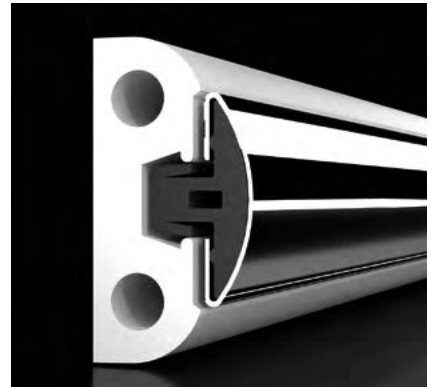
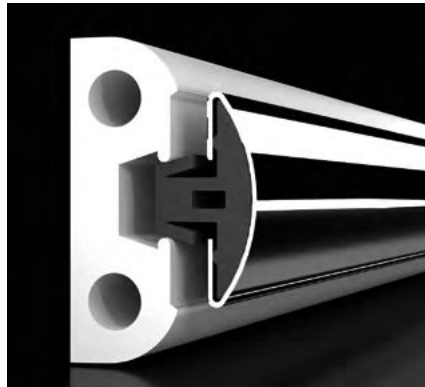
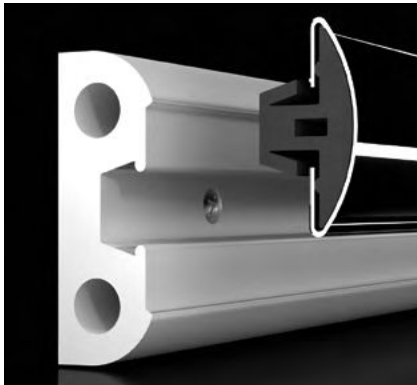
PATENT PENDING

ENGINEERED BY Rezzonico Ranieri | MADE BY Tessilmare

BINOX RUB RAIL

UNLIMITED INNOVATION

The PVC base can be fitted onto the boat and the 9.8 feet S/S bar can be pressure fitted.



VERY QUICK INSTALLATION

Binox can be installed like our PVC fender profiles: cold fitted and in a very short time.

HIGH RESISTANCE

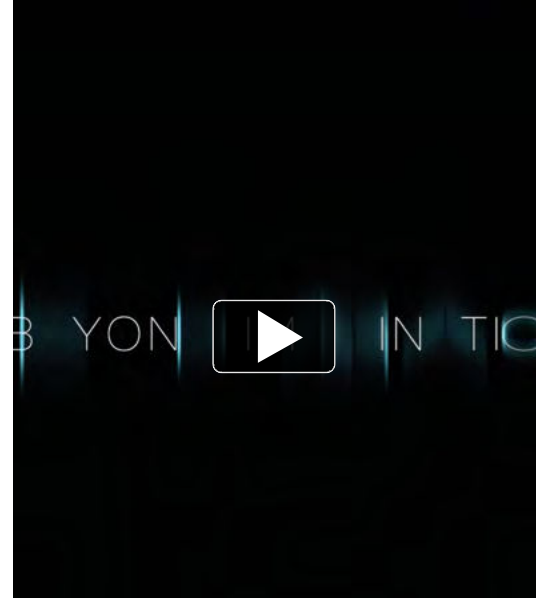
Light like a PVC fender profile, strong like a S/S fender profile.

UNMATCHED RESULT

S/S bars give a result never seen before. We suggest the use of our S/S joint caps and end caps for a better technical and aesthetic effect.



BINOX INSTALLATION



How to bend:

visit our video channel

www.youtube.com/tessilmare

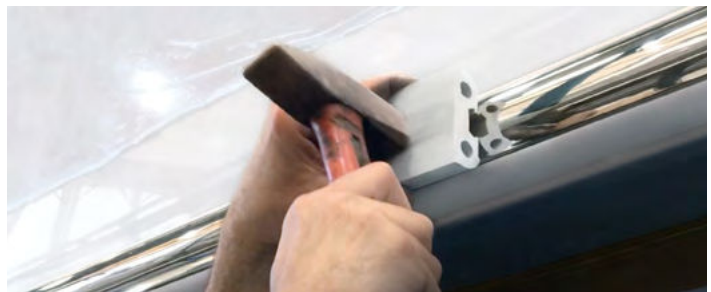
1 APPLICATION OF PVC BASE

Attach the soft profile of the base against the entire length of the boat with screws. The screw head has to be flush with the PVC, without protrusions.



2 S/S BAR INSTALLATION

The stainless steel bars are pressure fitted, the operation will be faster using a small piece of PVC base and a hammer.



3 JOINT INSTALLATION

A joint cap is required in between each 9.8 feet bar.



4 CUTTING S/S AND PVC BASE AND END CAP INSTALLATION

Cut any loose PVC parts with a box cutter. As a final step, install the end-caps.



BINOX RUB RAIL



SPECIAL ORDER
to be shipped from Italy

BINOX BY THE BAR



NEW

DESCRIPTION	CODE	SIZES	UNIT
S/S Bar Binox 25	T130-230-125-8	1-5/8" x 8.5 ft	bar
S/S Bar Binox 25	T130-230-125-3	1-5/8" x 9.8 ft	bar
S/S Bar Binox 35	T130-230-135-8	1-3/8" x 8.5 ft	bar
S/S Bar Binox 35	T130-230-135-3	1-3/8" x 9.8 ft	bar
S/S Bar Binox 50	T130-230-150-8	2" x 8.5 ft	bar
S/S Bar Binox 50	T130-230-150-3	2" x 9.8 ft	bar
S/S Bar Binox 65	T130-230-165-8	2-1/2" x 8.5 ft	bar
S/S Bar Binox 65	T130-230-165-3	2-1/2" x 9.8 ft	bar

BINOX BY THE FOOT



NEW

Lip

DESCRIPTION	TYPE	CODE	HEIGHT	COLOR	UNIT
PVC Base for Binox 25	with lip	T130-230-040-L	1-5/8" 1"	-B = black -W = white	ft
PVC Base for Binox 25		T130-230-040	1-5/8" 1"	-B = black -W = white	ft
PVC Base for Binox 35	with lip	T130-230-050-L	2" 1-3/8"	-B = black -W = white	ft
PVC Base for Binox 35		T130-230-050	2" 1-3/8"	-B = black -W = white	ft
PVC Base for Binox 50	with lip	T130-230-070-L	2-3/4" 2"	-B = black -W = white	ft
PVC Base for Binox 50		T130-230-070	2-3/4" 2"	-B = black -W = white	ft
PVC Base for Binox 65		T130-230-090	3-1/2" 2"-1/2"	-B = black -W = white	ft

BINOX FITTINGS



binox

DESCRIPTION	CODE	UNIT
S/S Joint Cap for Binox 25	T130-500-125	each
S/S Joint Cap for Binox 35	T130-500-135	each
S/S Joint Cap for Binox 50	T130-500-150	each
S/S Joint Cap for Binox 65	T130-500-165	each
S/S End Cap for Binox 25	T130-500-510	each
S/S End Cap for Binox 35	T130-500-530	each
S/S End Cap for Binox 50	right + left T130-500-580	set



SPHÆRA RUB RAIL

THE NEW FRONTIER OF RUB RAILS

Sphæra is the revolutionary fender profile, made of stainless steel co-extruded with rigid and shockproof PVC.

Thanks to the innovative structural system, Sphæra is the first fender profile which combines high technical performance with superior aesthetics.

Sphæra is the unique, stylish and cutting-edge option for stainless rub rail.



EASILY ADAPTABLE TO THE HULL SHAPE



sphæra™

ULTRA LIGHT

ULTRA STRONG

EASILY BENDABLE

ITALIAN STYLE

U.S. PATENT

ENGINEERED BY Rezzonico Ranieri | MADE BY Tessilmare



SPHÆRA RUB RAIL

3 INSTALLATION OPTIONS

Sphæra can be installed in three different ways allowing customization for the best aesthetic.



REDUCE STOCK AND COSTS BY 70%

316 L stainless steel

Easy to bend and install

Reduced waste

Exceptionally strong

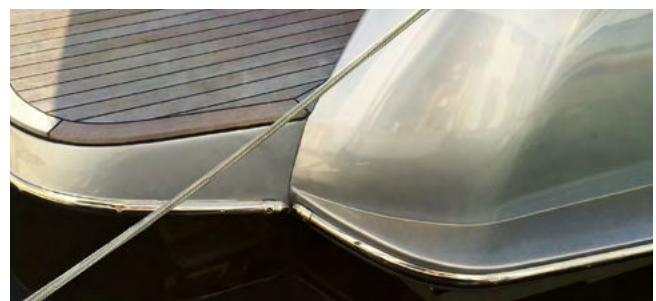
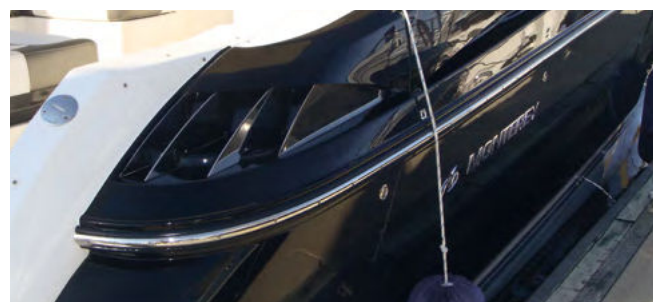
Crushproof

Beautiful design

Lightweight

Competitive price

Easy to repair and refit



SPHÆRA RUB RAIL

CORE

The stainless steel profile is easily adaptable to the hull shape thanks to the Duralene core. Its patented process prevents deformations and allows bending on difficult angles with a minimal effort.



BASE

The PVC base is supplied in custom-cut reels, thus avoiding unsightly joints, breaks, and misalignment.

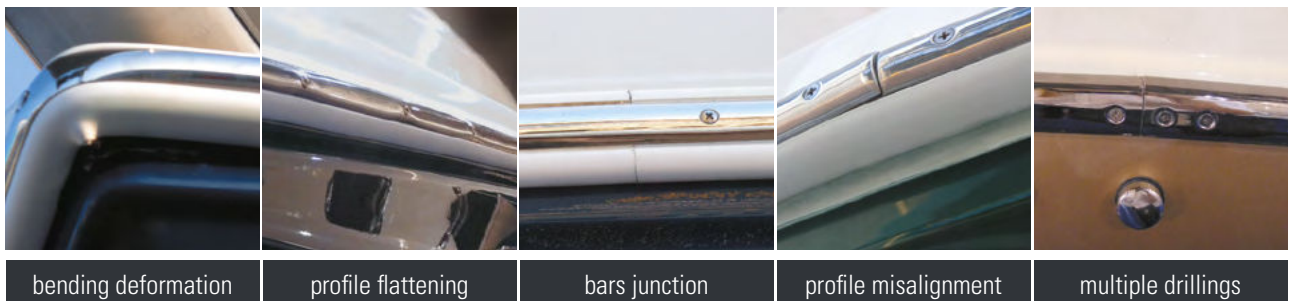


JOINT & END CAP

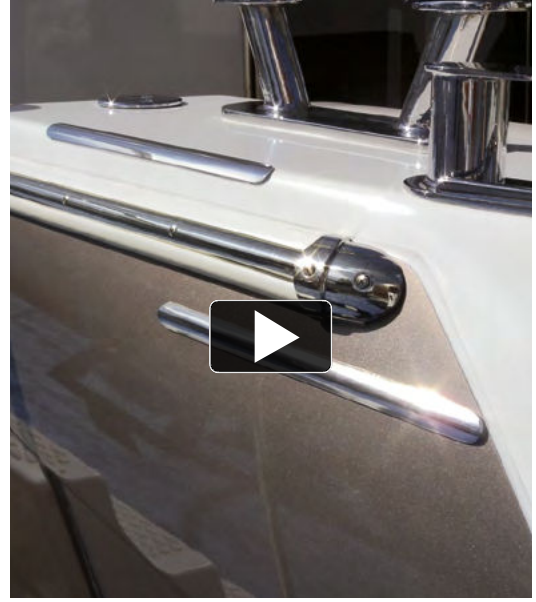
The joint caps keep the bars perfectly aligned, thereby avoiding multiple and unnecessary drillings. The end caps provide the finishing touch for a streamlined finish.



TRADITIONAL SYSTEM ISSUES



SPHÆRA INSTALLATION



How to bend:

visit our video channel

www.youtube.com/tessilmare

1 PVC BASE INSTALLATION

The PVC base is placed on the boat with painters tape. The base can be cut of the right boat size to avoid any waste or interruption.



2 S/S BAR INSTALLATION

Steel bars are pre-drilled and are secured together with the base with steel screws. Bow and stern bends are created directly on the boat, that works as a bending template.

We recommend the use of a wood template only in installations requiring very sharp and difficult boat side bends.



3 JOINT AND END CAPS INSTALLATION

Well-designed and functional joint caps successfully cover the gaps at junctures and keep the bars perfectly aligned to avoid an unattractive two screw installation.

Stainless steel end caps give an elegant finishing touch.



SPHÆRA RUB RAIL



SPECIAL ORDER
to be shipped from Italy


SPHÆRA BY THE BAR



DESCRIPTION	CODE	SIZES	UNIT
S/S Bar Sphæra 25	T130-130-125-3	1" x 9.8 ft	bar
S/S Bar Sphæra 25	T130-130-125-8	1" x 8.5 ft	bar
S/S Bar Sphæra 35	T130-130-135-3	1-3/8" x 9.8 ft	bar
S/S Bar Sphæra 35	T130-130-135-8	1-3/8" x 8.5 ft	bar
S/S Bar Sphæra 50	T130-130-150-3	2" x 9.8 ft	bar
S/S Bar Sphæra 65	T130-130-165-3	2-1/2" x 9.8 ft	bar

SPHÆRA BY THE FOOT



DESCRIPTION	CODE	HEIGHT	MINIMUM BENDING RAD	 COLOR	UNIT
PVC Base for Sphæra 25	T130-130-040	1-5/8"	1-1/8"	--B = black -W = white	ft
PVC Base for Sphæra 35	T130-130-050	2"	2-7/8"	--B = black -W = white	ft
PVC Base for Sphæra 50	T130-130-070	2-3/4"	3-7/8"	--B = black -W = white	ft
PVC Base for Sphæra 65	T130-130-090	3-1/2"	3-7/8"	--B = black -W = white	ft

SPHÆRA SLIM



DESCRIPTION	CODE	COLOR	UNIT
PVC Slim Base for Sphæra 25	T130-130-039	--B = black -W = white	ft
PVC Slim Base for Sphæra 35	T130-130-049	--B = black -W = white	ft
PVC Slim Base for Sphæra 50	T130-130-069	--B = black -W = white	ft
PVC Slim Base for Sphæra 65	T130-130-089	--B = black -W = white	ft

SPHÆRA FITTINGS



DESCRIPTION	CODE	UNIT
S/S Joint Cap for Sphæra 25	T130-500-125	each
S/S Joint Cap for Sphæra 35	T130-500-135	each
S/S Joint Cap for Sphæra 50	T130-500-150	each
S/S Joint Cap for Sphæra 65	T130-500-165	each
S/S End Cap for Sphæra 25	T130-500-625	mounted without PVC BASE
S/S End Cap for Sphæra 35	T130-500-635	mounted without PVC BASE
S/S End Cap for Sphæra 50	T130-500-650	mounted without PVC BASE
S/S End Cap for Sphæra 65	T130-500-665	mounted without PVC BASE
Kit End Cap for Sphæra 25	T130-500-725	mounted with PVC BASE
Kit End Cap for Sphæra 35	T130-500-735	mounted with PVC BASE
Kit End Cap for Sphæra 50	T130-500-750	mounted with PVC BASE
Kit End Cap for Sphæra 65	T130-500-765	mounted with PVC BASE

RADIAL INSTALLATION

TIME AND LABOR SAVINGS

Fast and easy to install, Radial is the PVC fender profile without rivals. It's different from all other profiles on the market, and can be cold fitted in just a few steps. The soft insert is supplied in custom-cut reels, to avoid waste and unsightly seams. Easy to install with seamless, Italian style.



COLD FITTING IN JUST A FEW STEPS
NO NEED TO PRE-HEAT



RADIAL™

FLEXIBLE COLD-FIT RUB RAIL PROVIDES SEAMLESS FINISH

U.S. PATENT

ENGINEERED BY Rezzonico Massimo MADE BY Tessilmare



RADIAL RUB RAIL

ADVANTAGE

Seamless installation

Easy to repair or refit

Quick setup

No pre-heating necessary with exception of 65 - 80 - 100 sizes, please refer to the user manual

Saving 2/3 of assembling time

BENDING

Extremely flexible

Easy to bend

Perfect hull adhesion

JOINT & END CAP

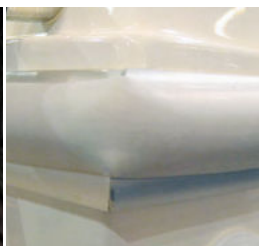
Convenient PVC and elegant stainless steel joint caps and end caps give the finishing touch to the boat.



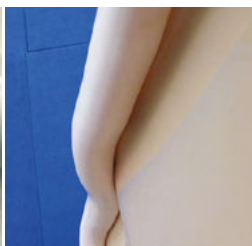
TRADITIONAL SYSTEM ISSUES



imperfect junctions



bending deformation



lack of hull adhesion



unsightly bolting



RADIAL INSTALLATION



How to bend:

visit our video channel

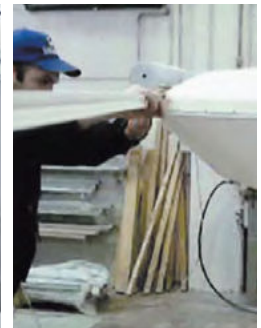
www.youtube.com/tessilmare

1 RIGID TRACK INSTALLATION

Radial cannot be fitted on flat surfaces.*

The track can be screwed or riveted without heating or any special tools. The installation is quick and easy with the track which bends in all boat directions.

** Refer to the Bino products for flat surfaces.*

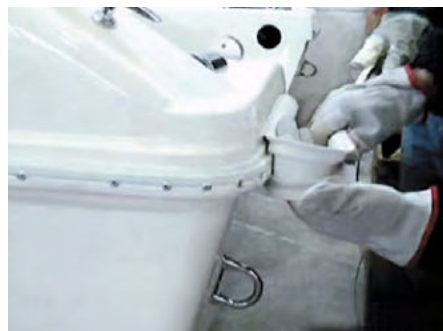


2 SOFT INSERT INSTALLATION

The soft insert simply rolls on the installed rigid track.

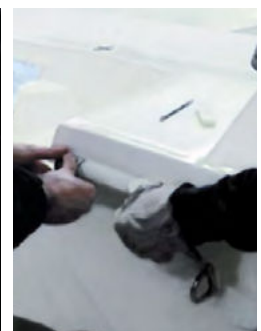
No pre-heating or special tools necessary with exception of 65 - 80 - 100 sizes, please refer to the user manual.

Installation is seamless avoiding unsightly joints or waste.



3 END CAP INSTALLATION

Once the soft insert is installed, simply cut and screw on the PVC or stainless steel end cap.



RADIAL RUB RAIL



SPECIAL ORDER
to be shipped from Italy

KITS OF RADIAL



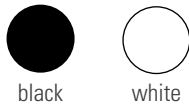
DESCRIPTION	CODE	HEIGHT	COLOR	UNIT
KIT Radial 30	T130-141-004	1-1/8"	-B1 = black -W1 = white	kit
The Kit includes: 46' soft + 46' semirigid tracks + 2 PVC end caps + 1 PVC joint cap				
KIT Radial 40	T130-140-110	1-5/8"	-B1 = black -W1 = white	kit
The Kit includes: 52' soft + 52' semirigid tracks + 2 PVC end caps + 1 PVC joint cap				
KIT Radial 52	T130-140-115	2-1/8"	-B1 = black -W1 = white	kit
The Kit includes: 72' soft + semirigid tracks + 2 PVC end caps + 1 PVC joint cap				

RADIAL BY THE FOOT



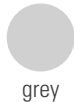
DESCRIPTION	CODE	HEIGHT	MINIMUM BENDING RAD	COLOR	UNIT
Rigid Track Radial 30	T130-141-006-2		2"		bar 6.5 ft
Soft Insert Radial 30	T130-141-007	1-1/8"		-B = black -W = white	ft
Rigid Track Radial 40	T130-141-011-2		2-3/8"		bar 6.5 ft
Soft Insert Radial 40	T130-141-012	1-5/8"		-B = black -W = white	ft
Rigid Track Radial 52	T130-141-016-2		2-3/4"		bar 6.5 ft
Soft Insert Radial 52	T130-141-017	2-1/8"		-B = black -W = white	ft
Rigid Track Radial 65	T130-141-016-2		3-1/8"		bar 6.5 ft
Soft Insert Radial 65	T130-141-022	2-1/2"		-B = black -W = white	ft
Rigid Track Radial 80	T130-141-026-2		3-7/8"		bar 6.5 ft
Soft Insert Radial 80	T130-141-027	3-1/8"		-B = black -W = white	ft
Rigid Track Radial 100	T130-141-031-2		6-1/4"		bar 6.5 ft
Soft Insert Radial 100	T130-141-032	3-7/8"		-B = black -W = white	ft

STANDARD COLORS



black white

COLORS BY REQUEST



grey

RADIAL FITTINGS



DESCRIPTION	CODE	UNIT
S/S Joint Cap Radial 40	T130-500-610	each
S/S Joint Cap Radial 52	T130-500-620	each
S/S Joint Cap Radial 65	T130-500-630	each
S/S Joint Cap Radial 80	T130-500-640	each
S/S End Cap Radial 30	T130-500-500	each
S/S End Cap Radial 40	T130-500-510	each
S/S End Cap Radial 52	T130-500-520	each
S/S End Cap Radial 65	T130-500-530	each
S/S End Cap Radial 80	T130-500-580	right + left set
PVC End Cap - Radial 100	T130-500-091	-B = black -W = white

BINO RUB RAIL

STRONG BUT LIGHTWEIGHT

Bino is Tessilmare's solution to installation on a flat surface.

An innovative design gives this two-piece fender a high protection against shock and makes it suitable for docks, piers, military boats, workboats and pleasure boats.



Suitable for:

Yachts	Military boats
Tenders	Dock protection
Workboats	Pier protection

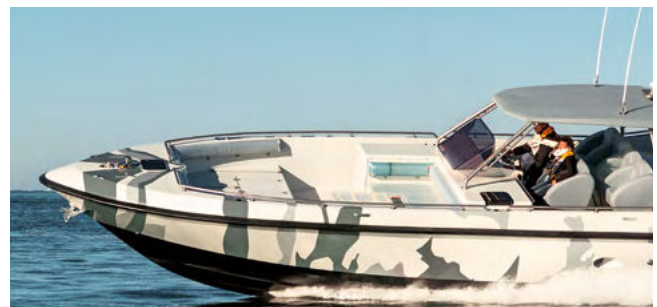


bino90&65

Bino is supplied in custom-cut reels, to avoid junctions. It can be easily installed: the profile base is fitted with the aid of a pre-drilled steel bar, the profile top is set simply by pressure.

PATENTED

ENGINEERED BY Rezzonico Massimo MADE BY Tessilmare



BINO40 RUB RAIL

AS STRONG AS BINO 90 & 65

The uniqueness of this product is that it can be adapted to very complex curves, with both negative and positive acute radius, the product does not need any pre-heating so the assembly is fast.

Bino 40 is perfect for installation on flat surfaces.



Suitable for:

Yachts	Military boats
Tenders	Dock protection
Workboats	Pier protection



bino40



The modularity of Bino 40 allows you to replace one of the two parts over time, separately.

The product fits cold as its flexibility is very high.

PATENT PENDING

ENGINEERED BY Rezzonico Ranieri MADE BY Tessilmare



BINO90&65

INSTALLATION

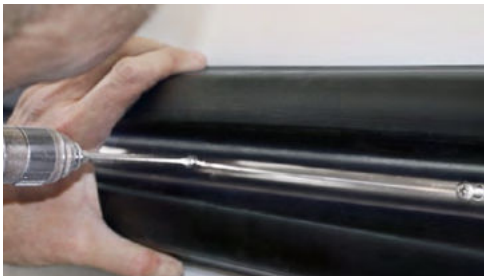
1 PREPARATION OF THE PROFILE

The fender profiles **Bino 90** and **Bino 65** consist of 2 modules and a fixing pre-drilled bar in stainless steel.

Plan the installation by laying the profile either on the boat or around the boat on the ground. This planning step will insure a smoother and easier installation overall.

2 FIXING THE TRACK THROUGH THE STEEL BAR

Drill holes in the boat using the same holes of the bars as a guide.



3 APPLICATION OF THE TOP PROFILE

Apply the closing profile by pressing with a rubber hammer.



4 FINISH WITH THE END-CAPS



BINO40

INSTALLATION

1 PREPARATION OF THE PROFILE

The **Bino 40** profile consists of 2 modules, one base and one top insert which covers the fixing screws.

Thanks to its flexibility it can be cold fit easily. Plan the installation by laying the profile either on the boat or around the boat on the ground. This planning step will insure a smoother and easier installation overall.

2 FIXING THE BASE PROFILE THROUGH SCREWS AND RIVETS

Drill and screw the base profile directly to the boat.



3 APPLICATION OF THE TOP PROFILE

Install the top profile by pressing it with a rubber hammer.



4 FINISH WITH THE END-CAPS



BINO



SPECIAL ORDER
to be shipped from Italy

BINO 90 and 65



DESCRIPTION	CODE	HEIGHT	COLOR	UNIT
Bino 90 series 2 pcs	T130-115-010-B	3-1/2"	black	ft
Bino 90 series 2 pcs	T130-115-010-W	3-1/2"	white	ft
Bino 65 series 2 pcs	T130-115-005-B	2-1/2"	black	ft
Bino 65 series 2 pcs	T130-115-005-W	2-1/2"	white	ft
Steel Bar for Bino*	T130-110-165-1			bar 3.28 ft.
*Stainless installation bar sold separately.				
Bino 40 series 2 pcs	T130-115-001-B	1-1/2"	black	ft
Bino 40 series 2 pcs	T130-115-001-W	1-1/2"	white	ft

BINO 40



BINO 90 and 65 FITTINGS



DESCRIPTION	CODE	COLOR
Bino 90 PVC End Cap	T130-500-095-B	-B = black
Bino 90 PVC End Cap	T130-500-095-W	-W = white
Bino 65 PVC End Cap	T130-500-092-B	-B = black
Bino 65 PVC End Cap	T130-500-092-W	-W = white

BINO 40 FITTINGS



DESCRIPTION	CODE
Bino 40 S/S Joint Cap	T130-500-610
Bino 40 S/S End Cap	T130-500-510

bin90 bin65



bin40



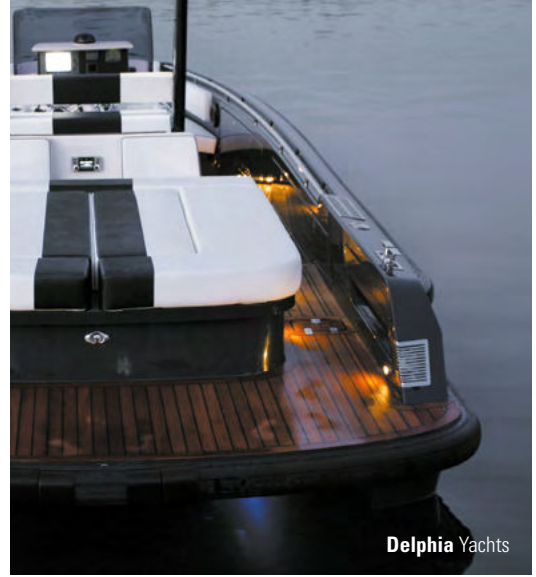
How to bend:

visit our video channel
www.youtube.com/tessilmare

BUMPER RUB RAIL

STRONG BUT LIGHTWEIGHT

Bumper is the first fender profile that represents the perfect alliance between lightweight and durability. Developed with a triple structure of PVC, it has wide inner air gaps which are designed to create absorption of impact never achieved before.



Suitable for:

- Yachts
- Tenders
- Workboats
- Military boats
- Dock protection
- Pier protection



bumper



Bumper is supplied in custom-cut reels, to avoid junctions. It can be easily installed, thanks to its own modularity: both base profiles are fixed to the hull through a stainless steel bar, while the top profile can be fitted by pressure.

PATENTED

ENGINEERED BY Rezzonico Massimo MADE BY Tessilmare



DESCRIPTION	CODE	HEIGHT	COLOR	UNIT
Bumper 125 series 3 pcs	T130-110-125-B	4-7/8"	black	ft
Steel Bar for Bumper	T130-110-165-1			bar 3.28 ft.
Bumper 125 PVC End Cap	T130-500-097-B			



SPECIAL ORDER
to be shipped from Italy

BUMPER INSTALLATION



1 PREPARATION OF THE PROFILE

The fender profiles Bumper consist of 3 modules and a fixing pre-drilled bar in stainless steel. Plan the installation by laying the profile either on the boat or around the boat on the ground. This planning step will insure a smoother and easier installation overall.

How to bend:

visit our video channel
www.youtube.com/tessilmare

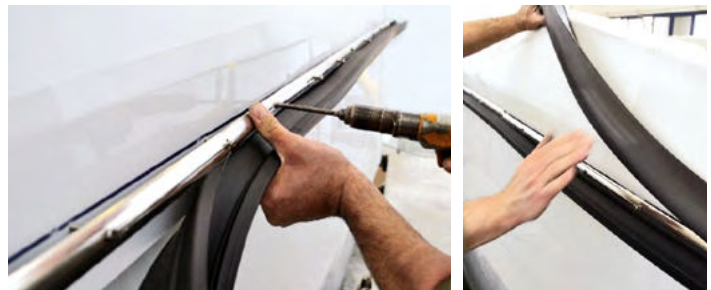
2 FIXING THE STEEL TRACK

Place the fender profile and the fixing bar together and mark the correct position of the steel bar with a felt-tip pen. Drill holes in the boat using the same holes of the bars as a guide, point the track screws over the entire circumference boat.



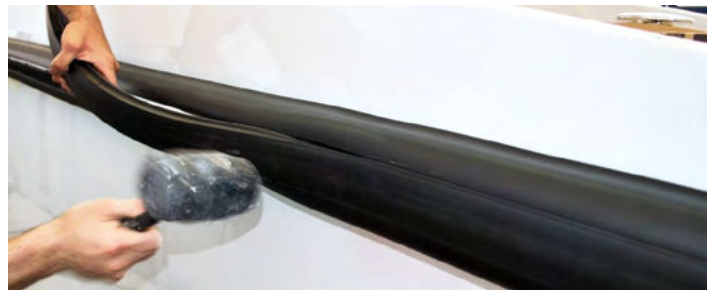
3 APPLICATION OF THE BASE MODULES

Apply one of the two base modules, partially screwing down the screws until the profile stays in place. Apply the second base module, then tighten the screws until completely securing the two base modules. The modules have to be placed perfectly under the steel track.

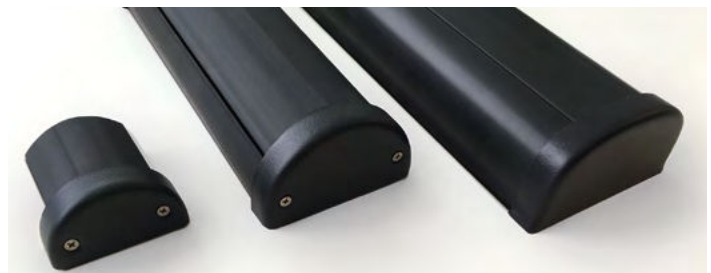


4 APPLICATION OF THE TOP PROFILE

Apply the closing profile by pressing with a rubber hammer.



5 FINISH WITH THE END CAPS

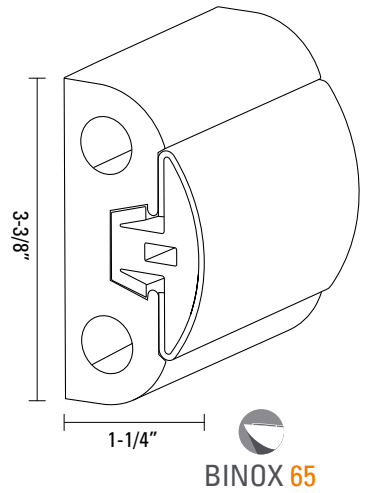
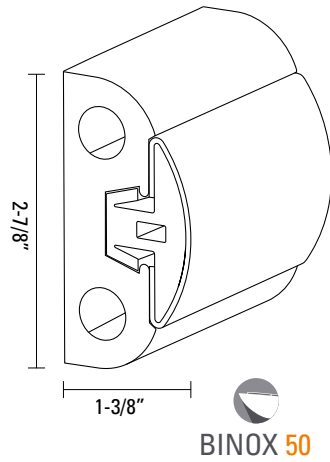
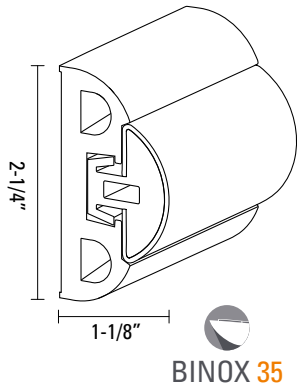
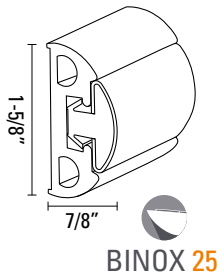
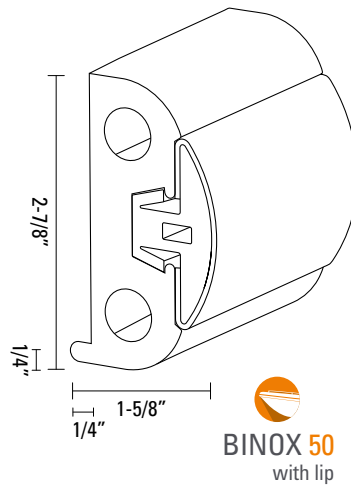
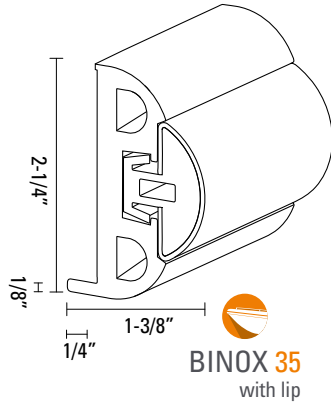
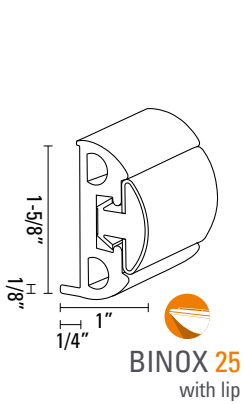


BINOX SIZES

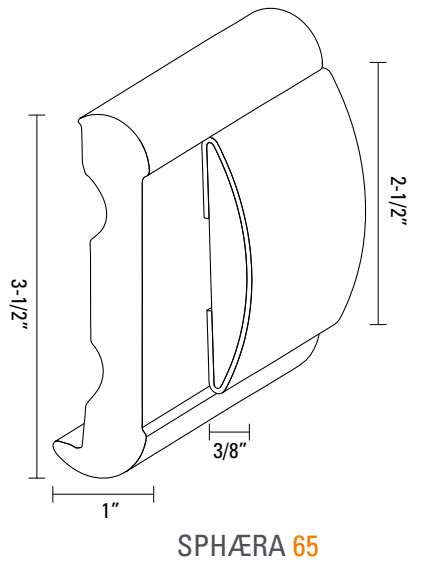
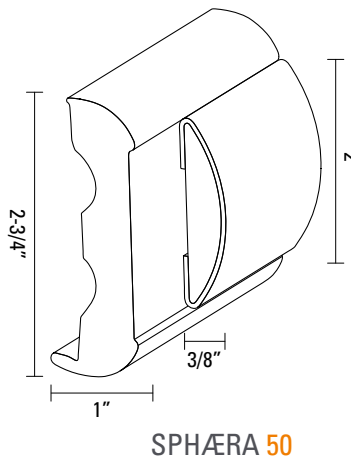
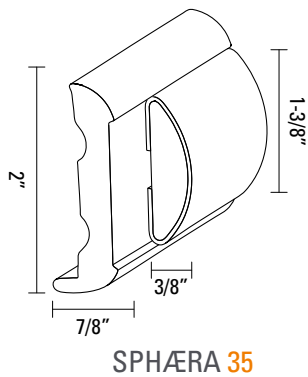
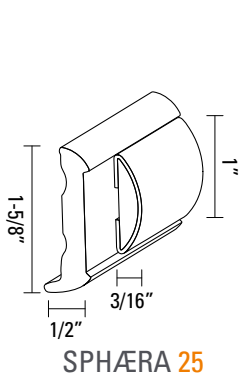
For installation with
DECK JOINT



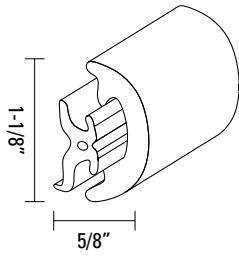
For installation on
FLAT SURFACES



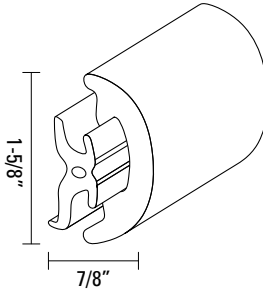
SPHÆRA SIZES



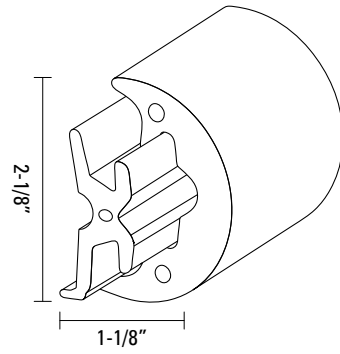
RADIAL SIZES



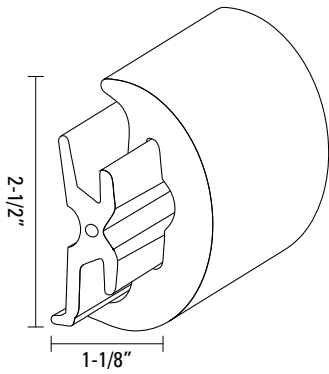
RADIAL 30



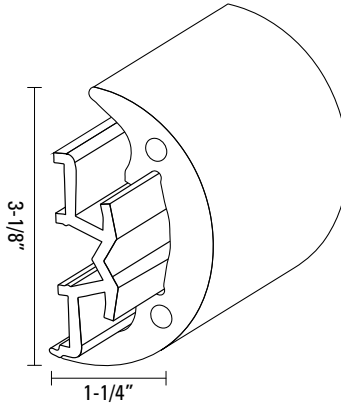
RADIAL 40



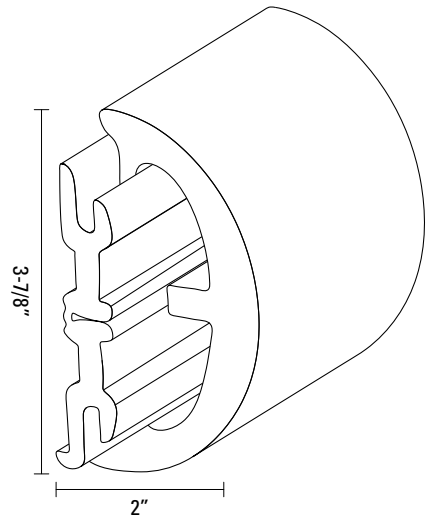
RADIAL 52



RADIAL 65



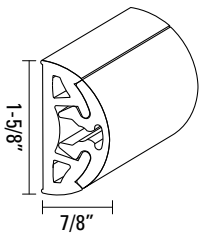
RADIAL 80



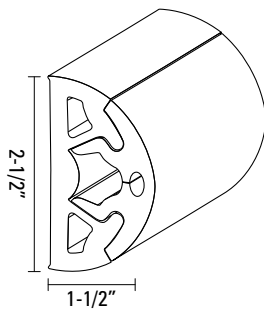
RADIAL 100

BINO SIZES

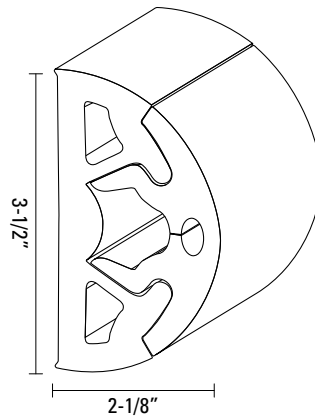
BUMPER SIZES



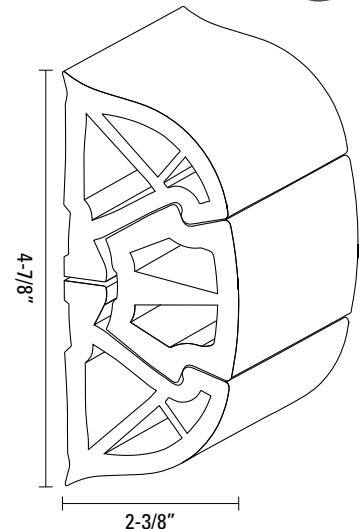
BINO 40



BINO 65



BINO 90



BUMPER 125

MATE USA

is a partnership between

binox
PATENT PENDING

sphæra™
U.S. PATENT

BADIAL™
U.S. PATENT

bumpør
PATENTED

bino
PATENTED

MARCO  **TESSILMARE** 

MATE USA, LLC
3251-A S.W. 13th Dr.
Deerfield Beach, FL 33442
Phone 954-463-5757

mate-usa.com
rubrails-tessilmare.com
info@mate-usa.com
orders@mate-usa.com

