

## Gilbert's syndrome and antiviral therapy of hepatitis C

Katja Deterding,\* Kurt Grüngreiff,\*\* Tim O. Lankisch,\*  
Andrej Potthoff,\* Matthias J. Bahr,\* Michael P. Manns,\* Heiner Wedemeyer,\* Christian P. Strassburg\*

\* Dept. of Gastroenterology, Hepatology and Endocrinology, Hannover Medical School.

\*\* Medical practice for Gastroenterology.

### ABSTRACT

*Treatment of chronic hepatitis C with type I interferons and ribavirin can be associated with exacerbation of hepatitis and sometimes liver decompensation. We report two patients with chronic hepatitis C virus infection who experienced a severe increase of bilirubin levels of up to 17 times upper the limit of normal value in the absence of deterioration of hepatic function during therapy with pegylated-interferon and ribavirin. A genetic disposition for Gilbert's syndrome explained the adverse events and permitted a continuation of therapy leading to a sustained clearance of chronic hepatitis C infection. Since one patient jaundiced already during a lead-in treatment period with ribavirin monotherapy we suggest that hyperbilirubinaemia during combination therapy is primarily caused by ribavirin rather than by effects of interferon alpha on UDP-glucuronosyltransferase activities. Of note, both patients recovered from their initial unconjugated hyperbilirubinemia despite continuation of ribavirin therapy, which indicates that compensatory mechanisms leading to a normalization of UGT1A1 activity are likely.*

**Key words.** Gilbert's syndrome. Hepatitis C. Antiviral therapy.

### INTRODUCTION

The standard therapy for patients with chronic hepatitis C virus infection (HCV) consists of pegylated-interferon (PEG-IFN) plus ribavirin. Patients with HCV-genotype 2 or 3 infection are treated for 16-24 weeks, whereas patients with HCV-genotype 1 require 24-72 weeks of therapy, leading to sustained virological response rates (SVR) of 50% in genotype 1 and 80%-90% in genotype 2 or 3 infection.<sup>1-4</sup> Treatment can be associated with significant side effects such as the induction of autoimmune disease, flu-like symptoms and psychiatric symptoms such as depression and agitation.<sup>5</sup> The exacerbation of hepatitis activity and even liver decompensation are serious adverse events, which can occur during interferon

treatment.<sup>6</sup> Increased activity of aminotransferases in serum and particularly ALT flares during Interferon-based therapies have been described to occur in a considerable proportion of patients.<sup>5,7,8</sup> In clinical practice the challenge is to determine the precise aetiology of elevated liver specific parameters in order to decide, whether to continue treatment and possibly achieve remission, or to stop therapy avoiding serious deterioration of the patient's condition but also decreasing the chance of a cure. This is regularly the case when marked elevations of aminotransferase activities or serum bilirubin concentrations are observed under antiviral therapy.

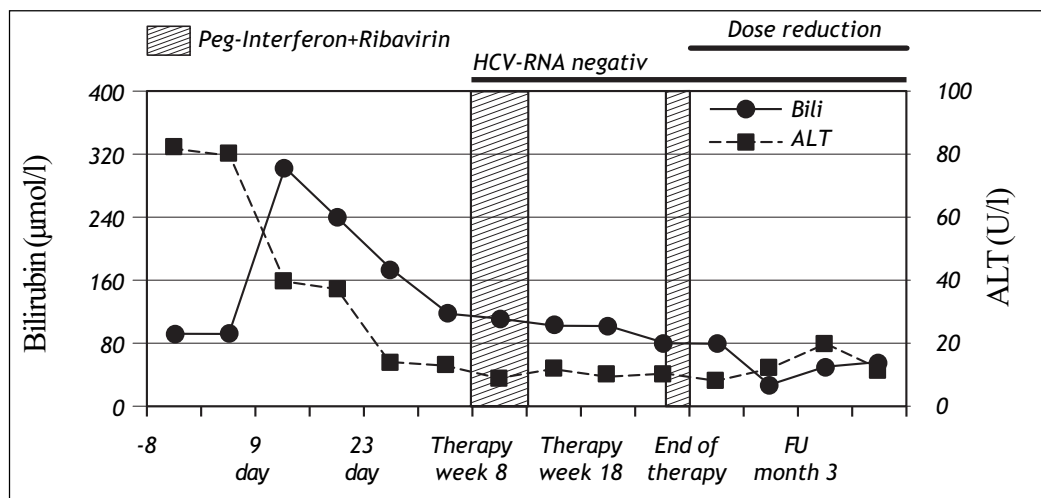
We report two patients with chronic hepatitis C virus infection who experienced a severe increase of bilirubin levels as early as nine and 13 days after the initiation of therapy, in whom a genetic disposition explained the adverse effects and permitted a continuation of therapy leading to a sustained clearance of HCV infection.

### CASE 1

A 22-year-old male patient with chronic hepatitis C virus infection, genotype 2 was referred to our outpatient clinic for evaluation and initiation of antiviral treatment in October 2003.

Correspondence and reprint request: Prof. C. P. Strassburg, M.D.  
Hannover Medical School  
Dept. of Gastroenterology, Hepatology and Endocrinology  
Carl-Neuberg Str.1  
D-30625 Hannover, Germany  
Phone: +49-511-532-2219  
Fax: +49-511-532-4896  
E-mail: Strassburg.Christian@mh-hannover.de

Manuscript received: May 19, 2009  
Manuscript accepted: June 14, 2009



**Figure 1. Case 1:** Laboratory values in the course of antiviral treatment.

The acquisition mode of HCV infection was unclear. The history revealed intermittent hyperbilirubinemia since childhood which had not been further diagnostically worked up. Prior to treatment blood count and prothrombin time were normal, ALT and bilirubin levels were increased to 82 U/l (normal range < 45 U/l) and 94 µmol/l (normal range < 17 µmol/l), respectively. HCV-RNA viremia was greater than 500,000 I.E./mL (Cobas Amplicor Roche Diagnostics, Germany).

The patient was treated within the REDD 2/3 study of the German Network of competence on viral hepatitis (Hep-Net)<sup>9</sup> and was randomized to receive weight-adjusted antiviral combination treatment with PEG-IFN- $\alpha$ 2b 1,0 µg/oiv and ribavirin 1,000 mg/d.

Nine days after the first injection of PEG-IFN  $\alpha$ -2b and administration of ribavirin, the patient developed severe jaundice without pain, pruritus or any general symptoms. At this time, ALT levels had normalized, but total bilirubin was increased to 303 µmol/l. (normal range: < 17 µmol/l). A sub analysis showed that conjugated bilirubin was < 2 µmol/l (normal range: < 2 µmol/l), and unconjugated bilirubin was 290 µmol/l (normal range: < 17 µmol/l) (Figure 1), lactate dehydrogenase and haptoglobin levels were normal. Genotyping for Gilbert's syndrome was performed by DNA sequencing showing homozygosity for a TA insertion into the UDP-glucuronosyltransferase 1A1 (UGT1A1) promoter region (UGT1A1\*28), representing the most common variant associated with Gilbert's syndrome in Caucasians.

Based on the hypothesis of Gilbert's associated unconjugated hyperbilirubinemia in the absence of inflammatory exacerbation or a deterioration of hepatic function antiviral treatment was continued.

During the course of therapy bilirubin levels decreased, baseline values were reached at week 22. Unconjugated bilirubin was found to be elevated throughout the course of therapy while conjugated bilirubin was normal.

In addition to hyperbilirubinaemia, the patient suffered from common interferon-related side effects such as flu-like symptoms and mild arthralgia. Moreover, interferon induced leukopenia led to a dose reduction between therapy week 8-13 and therapy week 22-24. Dose reduction of ribavirin was not necessary during the whole period of therapy. HCV-RNA was negative for the first time at week 8 and remained negative for 2 years beyond the end of therapy when the patient was seen the last time at our department.

## CASE 2

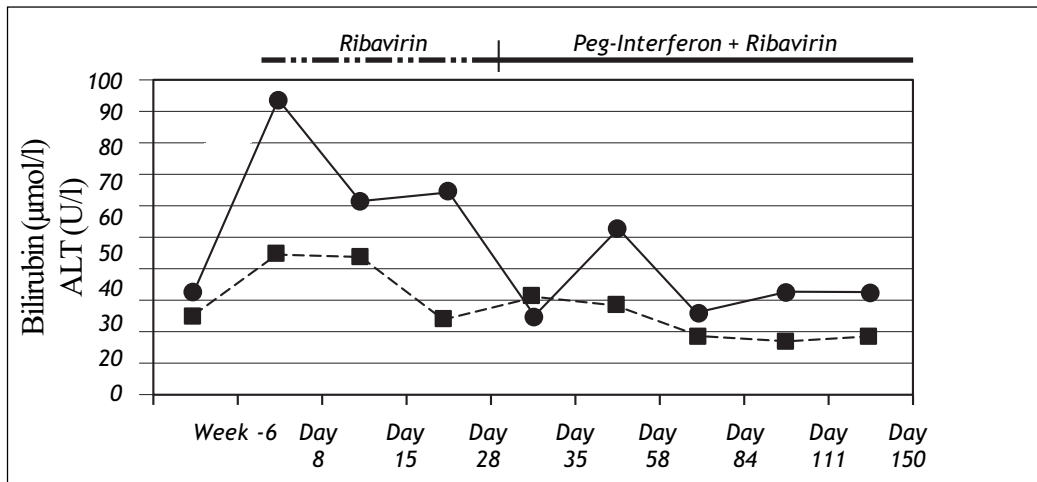
A female patient with chronic hepatitis C virus infection, genotype 1b, 62 years old, began antiviral therapy with ribavirin 1,000 mg/d per day in September 2006. The acquisition mode was postpartal anti-D-prophylaxis in the year 1979 as recently described.<sup>10</sup> HCV-RNA was detected for the first time in 1994. She had no history of intermittent hyperbilirubinemia. She first received ribavirin monotherapy since the patient had thrombocytopenia and the known effect of ribavirin to increase platelet levels<sup>11</sup> was anticipated to allow the usage of optimal doses for subsequent interferon  $\alpha$  treatment. Eight days after the initiation of ribavirin treatment, the patient showed severe jaundice without additional symptoms, abdominal pains or pyrexia. At this time her ALT activities were normal, and bilirubin had increased to 94 µmol/l (normal range: < 17 µmol/l). Genotyping revealed the homozygous for

UGT1A1\*28 variant. Ribavirin was reduced to 400mg/d for 3 weeks due to anaemia and could be increased again to 800mg/d during the course of treatment. Peg-Interferon alfa-2b treatment was started 4 weeks after the start of ribavirin and could only be administered in a reduced dose of 50 µg per week due to adverse events. Antiviral treatment was stopped after 16 weeks of therapy due to virological non-response. Bilirubin levels decreased to normal values rapidly again after stopping the antiviral treatment (Figure 2).

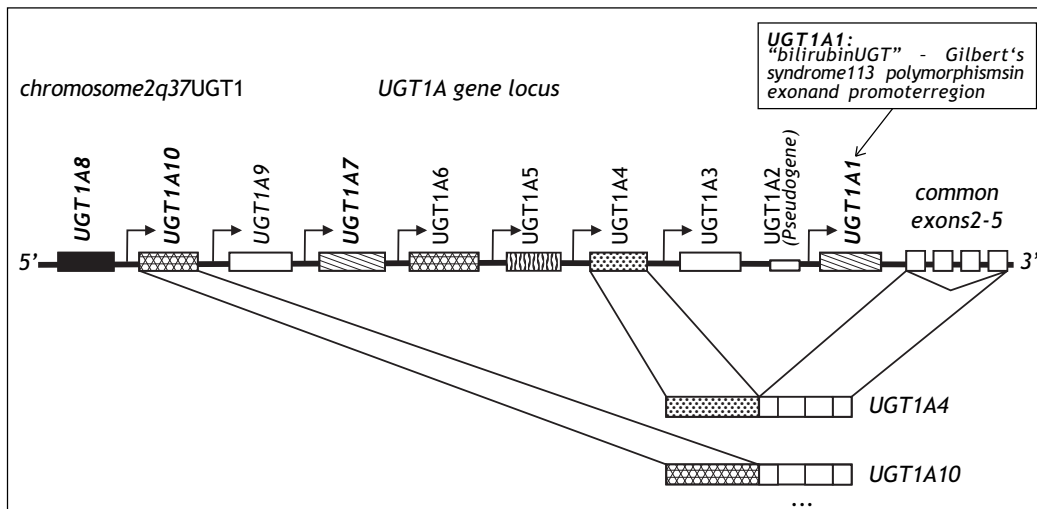
**DISCUSSION**

Gilbert's syndrome is one of the most frequent genetic variants of metabolism in Caucasians.<sup>12</sup> It is characterized by a 70% reduction of bilirubin glucuronidation caused by a TA insertion into the TATA box of the *UDP-glucuronosyltransferase (UGT)1A1*

gene designated UGT1A1\*28.<sup>13,14</sup> UGT1A1 was cloned in 1991 and is a member of the *UGT1A* gene family encoded on chromosome 2,<sup>15</sup> which leads to the tissue specific transcription of 9 *UGT1A* genes leading to 9 UGT1A protein isoforms<sup>16</sup> (Figure 3). UGT1A1 is expressed primarily in the liver but also in small intestine.<sup>17</sup> It is the only efficient physiological enzyme capable of generating water soluble bilirubin glucuronides, which can be eliminated from the body via urine and bile,<sup>18</sup> and its functional variation therefore leads to the clinical phenotype of mild non-haemolytic hyperbilirubinemia. A complete loss of bilirubin glucuronidation is fatal and is the cause of Crigler-Najjar type 1 disease.<sup>19</sup> The promoter polymorphisms UGT1A1\*28 was associated with Gilbert's syndrome in 1995.<sup>13,14</sup> With an allelic frequency of 0.4 homozygous carriers of UGT1A1\*28 occur in 16%, although the clinical phenotype is only observed in approximately 10% of the popula-



**Figure 2. Case 2:** Laboratory values in the course of antiviral treatment.



**Figure 3. UGT1A1:** "bilirubin UGT" -Gilbert's syndrome 113 polymorphisms in exon and promoter region.

tion. Gilbert's syndrome is characterized by episodic increases of unconjugated serum bilirubin rarely exceeding 150  $\mu$ M and usually in response to fasting or stress, and this condition does not lead to liver inflammation, fibrosis or progressive liver damage.<sup>20</sup> In an unchallenged individual, Gilbert's syndrome is therefore most often unapparent. However, recent studies have reported pharmacogenetic risks associated with the presence of the UGT1A1\*28 genotype. The risk of severe irinotecan drug toxicity has been associated with UGT1A1\*28<sup>21</sup> as well as with a combination of UGT1A1 and UGT1A7 polymorphisms.<sup>22</sup> In addition protease inhibitor associated jaundice has been linked to a haplotype of UGT1A1\*28 in combination with variants of the UGT1A3 and UGT1A7 genes.<sup>23</sup> These data suggest, that this benign condition is in fact a risk factor for drug associated toxicity and jaundice.<sup>12</sup>

Our example of two patients receiving antiviral therapy for chronic HCV infection adds another example to these reports, which potentially affects a considerable number of patients treated for HCV infection. In the first patient, a marked increase of total bilirubin levels –almost exclusively unconjugated after sub analysis– was observed within only 9 days after the initiation of subcutaneous PEG-IFN- $\alpha$  2b and oral ribavirin. This coincidence would suggest a direct effect of either interferon- $\alpha$  or ribavirin, or both, on the activity of UGT1A1. It could be hypothesized that pro-inflammatory activity of interferon may mimic stress such as during fasting or infection, which is capable of elevating bilirubin in individuals with Gilbert's syndrome. However, major trials of interferon monotherapy have not reported an increase of bilirubin although it can be expected that approximately 10% of Caucasian study populations are carriers of the homozygous UGT1A1\*28 genotype. A second hypothesis would concern ribavirin, which is a potent cause of haemolytic anaemia, and may have increased the amount of free bilirubin, thereby generating an excess of UGT1A1 substrate. This in turn would not be sufficiently glucuronidated by UGT1A1 thus leading to high level unconjugated hyperbilirubinemia, which in our patient clearly exceeded levels expected in an episode of jaundice of an individual with Gilbert's syndrome. It is interesting to note, that the history of patient 1 was positive for occasional episodes of scleral jaundice, which had previously not been further analysed and did not bother the patient to the extent to be mentioned to his physicians prior to HCV treatment. The treatment course of the second patient provides arguments for an effect of ribavirin. In this patient with Gilbert's syndrome ribavirin treatment was initiated

in the absence of interferon leading to the same rise in bilirubin within 13 days of treatment initiation. This observation indicates that HCV treatment associated jaundice does not require interferon. The mechanisms of this effect may include increased haemolysis, direct inhibition of UGT function,<sup>24,25</sup> or an effect on the transcriptional regulation of the UGT1A1 gene,<sup>26</sup> which is already reduced by 70%. Of note, both patients recovered from their initial unconjugated hyperbilirubinemia despite continuation of ribavirin therapy, which indicates that compensatory mechanisms leading to a normalization of UGT1A1 activity are likely.<sup>27</sup> The fact that 16% of Caucasians carry this variant and marked jaundice in HCV therapy only rarely occurs also indicates that additional variants, which may include transporter proteins, may play a permissive role. From a clinical point of view the observation in these two patients is of high practical consequence. Elevations of aminotransferases and/or cholestatic markers are likely to lead to the decision to discontinue antiviral therapy eliminating the chances of a cure. However, unconjugated hyperbilirubinemia based on lower UGT1A1 activity is not life threatening. It only leads to a clinical symptom without further relevant morbidity, and cannot be viewed as a contraindication for therapy. In this situation genotyping and establishment of the Gilbert's genotype provided a diagnostic basis to continue therapy eventually permitting the realization of a sustained virological response.

In conclusion, IFN- $\alpha$  and ribavirin therapy can induce severe unconjugated hyperbilirubinaemia in patients with Gilbert's syndrome, which is linked to ribavirin. Continuation of therapy is possible, safe and effective in these individuals. Hyperbilirubinemia was observed to improve during the course of continued therapy. In unexpected hyperbilirubinemia during the initial phase of antiviral therapy determination of unconjugated bilirubin and genotyping for UGT1A1\*28 is suggested for the decision to continue therapy.

## ABBREVIATIONS

- **HCV:** Chronic hepatitis C virus.
- **PEG-IFN:** Pegylated interferon.
- **SVR:** Sustained virological response rates

## REFERENCES

1. Manns MP, McHutchison JG, Gordon SC, Rustgi VK, Shiffman M, Reindollar R, Goodman ZD, Koury K, Ling M, Albrecht JK. Peginterferon  $\alpha$ -2b plus ribavirin compared with interferon  $\alpha$ -2b plus ribavirin for initial treatment of

- chronic hepatitis C: a randomised trial. *Lancet* 2001; 358: 958-65.
2. Cornberg M, Wedemeyer H, Manns MP. Treatment of chronic hepatitis C with PEGylated interferon and ribavirin. *Curr Gastroenterol Rep* 2002; 4: 23-30.
  3. Manns MP, Wedemeyer H. Handbuch Hepatitis C: Diagnostik, Verlauf, Therapie. uni-med Verlag 2003.
  4. Hadziyannis SJ, Sette HJr, Morgan TR, Balan V, Diago M, Marcellin P, Ramadori G, Bodenheimer HJr, Bernstein D, Rizzetto M, Zeuzem S, Pockros PJ, Lin A, Ackrill AM. Peginterferon-alpha2a and ribavirin combination therapy in chronic hepatitis C: a randomized study of treatment duration and ribavirin dose. *Ann Intern Med* 2004; 140: 346-55.
  5. Manns MP, Wedemeyer H, Cornberg M. Treating viral hepatitis C: efficacy, side effects, and complications. *Gut* 2006; 55: 1350-9.
  6. Everson GT. Treatment of patients with hepatitis C virus on the waiting list. *Liver Transpl* 2003; 9: S90-S94.
  7. Zeuzem S, Feinman SV, Rasenack J, Heathcote EJ, Lai MY, Gane E, O'Grady J, Reichen J, Diago M, Lin A, Hoffman J, Brunda MJ. Peginterferon alfa-2a in patients with chronic hepatitis C. *N Engl J Med* 2000; 343: 1666-72.
  8. Tassopoulos NC. Treatment of patients with chronic hepatitis C and normal ALT levels. *J Hepatol* 1999; 31(Suppl. 1): 193-6.
  9. Manns MP, Meyer S, Wedemeyer H. The German network of excellence for viral hepatitis (Hep-Net). *Hepatology* 2003; 38: 543-4.
  10. Wiese M, Berr F, Lafrenz M, Porst H, Oesen U. Low frequency of cirrhosis in a hepatitis C (genotype 1b) single-source outbreak in germany: a 20-year multicenter study. *Hepatology* 2000; 32: 91-6.
  11. Bodenheimer HCJr, Lindsay KL, Davis GL, Lewis JH, Thung SN, Seeff LB. Tolerance and efficacy of oral ribavirin treatment of chronic hepatitis C: a multicenter trial. *Hepatology* 1997; 26: 473-7.
  12. Strassburg C.P. Pharmacogenetics of Gilbert's syndrome. 2008. Ref Type: Generic.
  13. Bosma PJ, Chowdhury JR, Bakker C, Gantla S, de Boer A, Oostra BA, Lindhout D, Tytgat GN, Jansen PL, Oude Elferink RP. The genetic basis of the reduced expression of bilirubin UDP-glucuronosyltransferase 1 in Gilbert's syndrome. *N Engl J Med* 1995; 333: 1171-5.
  14. Monaghan G, Ryan M, Seddon R, Hume R, Burchell B. Genetic variation in bilirubin UPD-glucuronosyltransferase gene promoter and Gilbert's syndrome. *Lancet* 1996; 347: 578-81.
  15. Ritter JK, Crawford JM, Owens IS. Cloning of two human liver bilirubin UDP-glucuronosyltransferase cDNAs with expression in COS-1 cells. *J Biol Chem* 1991; 266: 1043-7.
  16. Strassburg CP, Lankisch TO, Manns MP, Ehmer U. Family 1 uridine-5'-diphosphate glucuronosyltransferases (UGT1A) from Gilbert's syndrome to genetic organization and variability. *Arch Toxicol* 2008.
  17. Strassburg CP, Kneip S, Topp J, Obermayer-Straub P, Barut A, Tukey RH, Manns MP. Polymorphic gene regulation and interindividual variation of UDP-glucuronosyltransferase activity in human small intestine. *J Biol Chem* 2000; 275: 36164-71.
  18. Bosma PJ, Seppen J, Goldhoorn B, Bakker C, Oude Elferink RP, Chowdhury JR, Chowdhury NR, Jansen PL. Bilirubin UDP-glucuronosyltransferase 1 is the only relevant bilirubin glucuronidating isoform in man. *J Biol Chem* 1994; 269: 17960-4.
  19. Ritter JK, Yeatman MT, Ferreira P, Owens IS. Identification of a genetic alteration in the code for bilirubin UDP-glucuronosyltransferase in the UGT1 gene complex of a Crigler-Najjar type I patient. *J Clin Invest* 1992; 90: 150-5.
  20. Arias IM. Chronic unconjugated hyperbilirubinemia without overt signs of hemolysis in adolescents and adults. *J Clin Invest* 1962; 41: 2233-45.
  21. Ando Y, Saka H, Asai G, Sugiura S, Shimokata K, Kamataki T. UGT1A1 genotypes and glucuronidation of SN-38, the active metabolite of irinotecan. *Ann Oncol* 1998; 9: 845-7.
  22. Lankisch TO, Schulz C, Zwingers T, Erichsen TJ, Manns MP, Heinemann V, Strassburg CP. Gilbert's Syndrome and irinotecan toxicity: combination with UDP-glucuronosyltransferase 1A7 variants increases risk. *Cancer Epidemiol Biomarkers Prev* 2008; 17: 695-701.
  23. Lankisch TO, Moebius U, Wehmeier M, Behrens G, Manns MP, Schmidt RE, Strassburg CP. Gilbert's disease and atazanavir: from phenotype to UDP-glucuronosyltransferase haplotype. *Hepatology* 2006; 44: 1324-32.
  24. Zhang D, Chando TJ, Everett DW, Patten CJ, Dehal SS, Humphreys WG. In vitro inhibition of UDP glucuronosyltransferases by atazanavir and other HIV protease inhibitors and the relationship of this property to in vivo bilirubin glucuronidation. *Drug Metab Dispos* 2005; 33: 1729-39.
  25. Uchaipichat V, Mackenzie PI, Elliot DJ, Miners JO. Selectivity of substrate (trifluoperazine) and inhibitor (amitriptyline, androsterone, canrenoic acid, hecogenin, phenylbutazone, quinidine, quinine, and sulfapyrazone) probes for human udp-glucuronosyltransferases. *Drug Metab Dispos* 2006; 34: 449-56.
  26. Erichsen TJ, Ehmer U, Kalthoff S, Lankisch TO, Muller TM, Munzel PA, Manns MP, Strassburg CP. Genetic variability of aryl hydrocarbon receptor (AhR)-mediated regulation of the human UDP glucuronosyltransferase (UGT) 1A4 gene. *Toxicol Appl Pharmacol* 2008.
  27. Ellis E, Wagner M, Lammert F, Nemeth A, Gumhold J, Strassburg CP, Kylander C, Katsika D, Trauner M, Einarsson C, Marschall HU. Successful treatment of severe unconjugated hyperbilirubinemia via induction of UGT1A1 by rifampicin. *J Hepatol* 2006; 44: 243-5.