

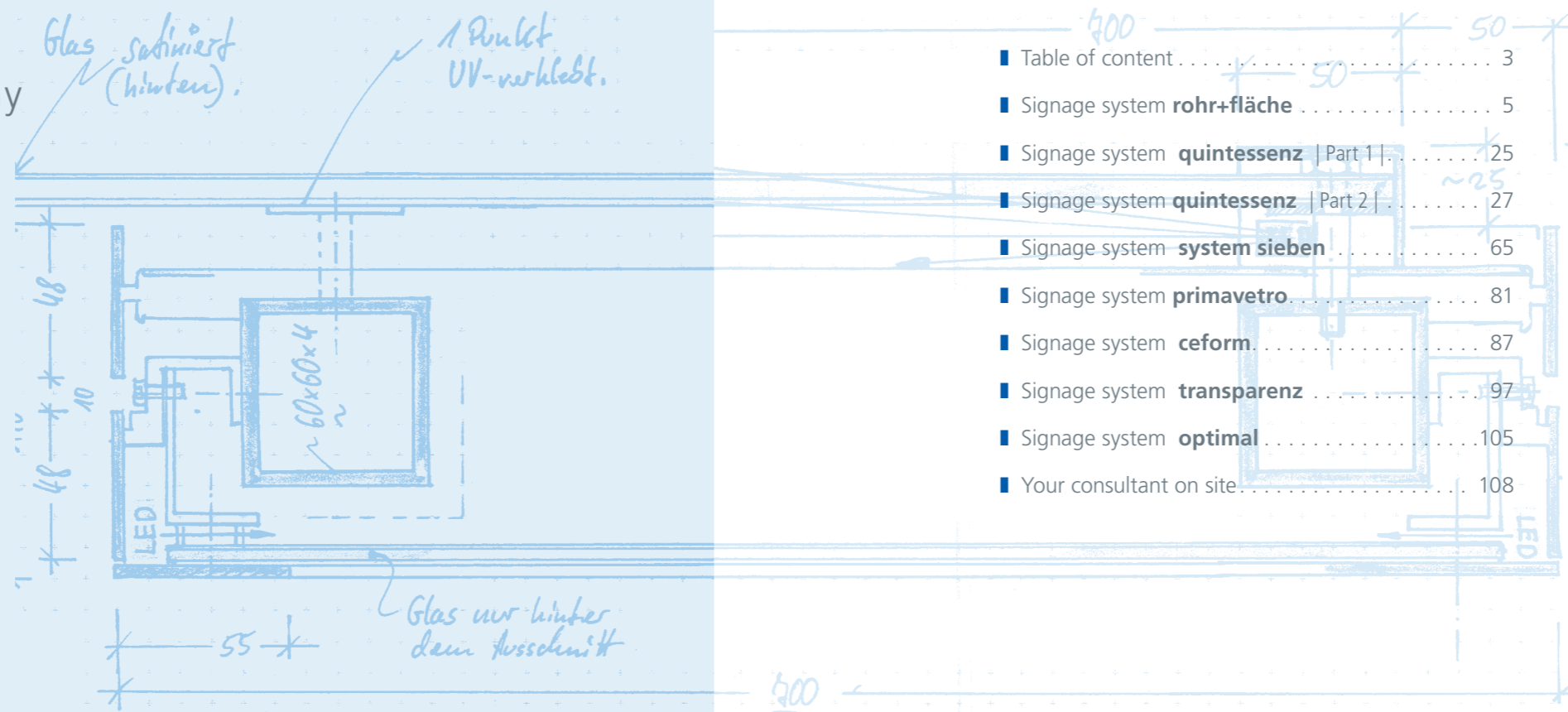
■ meng

SIGNALETIK

Product lines **2021**

SIGNAGE AND ORIENTATION SYSTEMS

made in Germany



Content

■ Table of content	3
■ Signage system rohr+fläche	5
■ Signage system quintessenz Part 1 	25
■ Signage system quintessenz Part 2 	27
■ Signage system system sieben	65
■ Signage system primavetro	81
■ Signage system ceform	87
■ Signage system transparenz	97
■ Signage system optimal	105
■ Your consultant on site	108



Informationstechnik Meng GmbH

Am Bahnhof 8
55765 Birkenfeld
Germany
Phone +49 6782 99 41- 0
Fax +49 6782 99 41 41
info@meng.de
www.meng.de

...one of the leading signage system specialists in Europe.



- to the table of content
- to **quintessenz** | Part 1 | Part 2 |
- to **system sieben**
- to **primavetro**

- to **ceform**
- to **transparentz**
- to **optimal**
- to the consultant on site



Stand sign RAS



Stand sign with LED RASL



Star signpost RARIM



Desk sign RAM



Overviews wall mounted RU



Escape signpost RFW



Signpost ceiling mounted RD



Doorplate large RTL



Doorplate small RTS

Stand sign RAS

rohr+fläche... over 25 years a proven system quality as a timeless signposts generation.

rohr+fläche



Front as back!

The free-standing signs of the **rohr+fläche** system basically provide two sides for the inscription. If also the foundation-anchoring remains hidden under the surface, **rohr+fläche** signs provide the perfect solution.

03-2021 © www.meng.de

Stand sign RAS

With the broad modular system, individual solutions can also be realized.

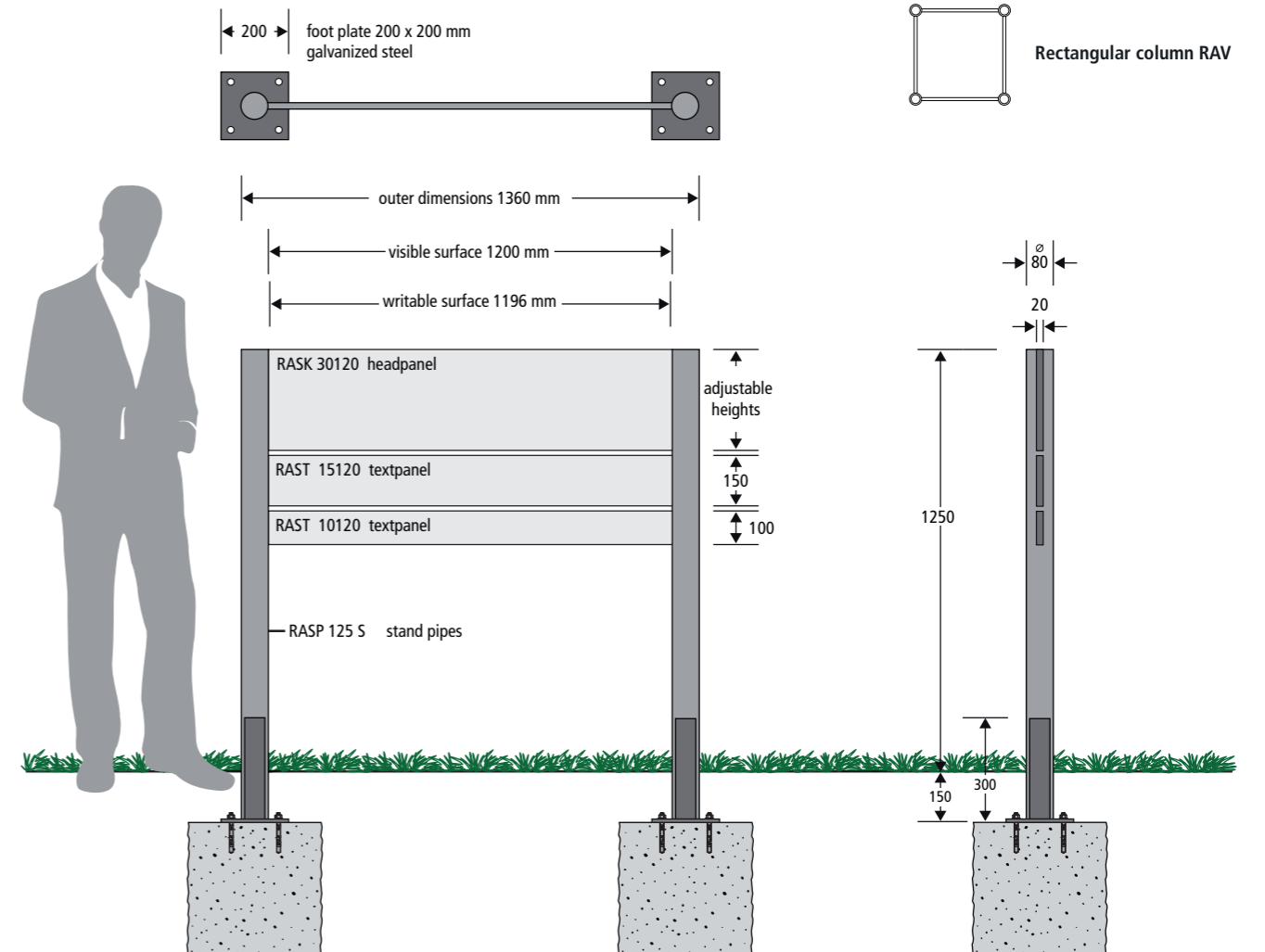
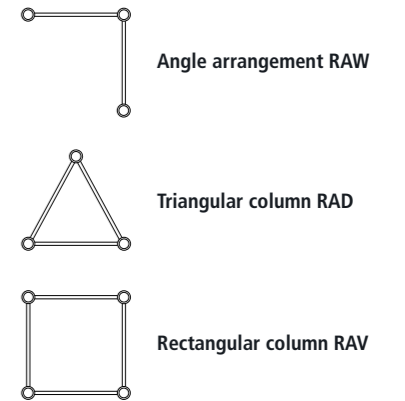
meng
signsystems

rohr+fläche

Standard RAS

With the rohr+fläche system, meng developed a classic sign, which since 1990 has been exemplary for the complete control system design. Since then, the RAS outdoor-stand has been used unchanged, but the lighting is now designed with a slim, contemporary LEDluminaire. See data sheet ...

Varities on request



Article	Panels and Lightining	Size	Surface of the pipes	Options
RASP 125120 S	RASP stand-tube with Foot-Plate with head panels (variable heights) with text panels (fixed heights) RASLE single-sided Lighting RASLD double-sided Lighting	125 total height in cm 120 visible width in cm	S silver anodized L laquered	RAW angle arrangement RAD triangular column RAV rectangular column

Stand sign with LED RASL

Directional signage must be visible at all times
be visible at all times, even in the dark.

rohr+fläche



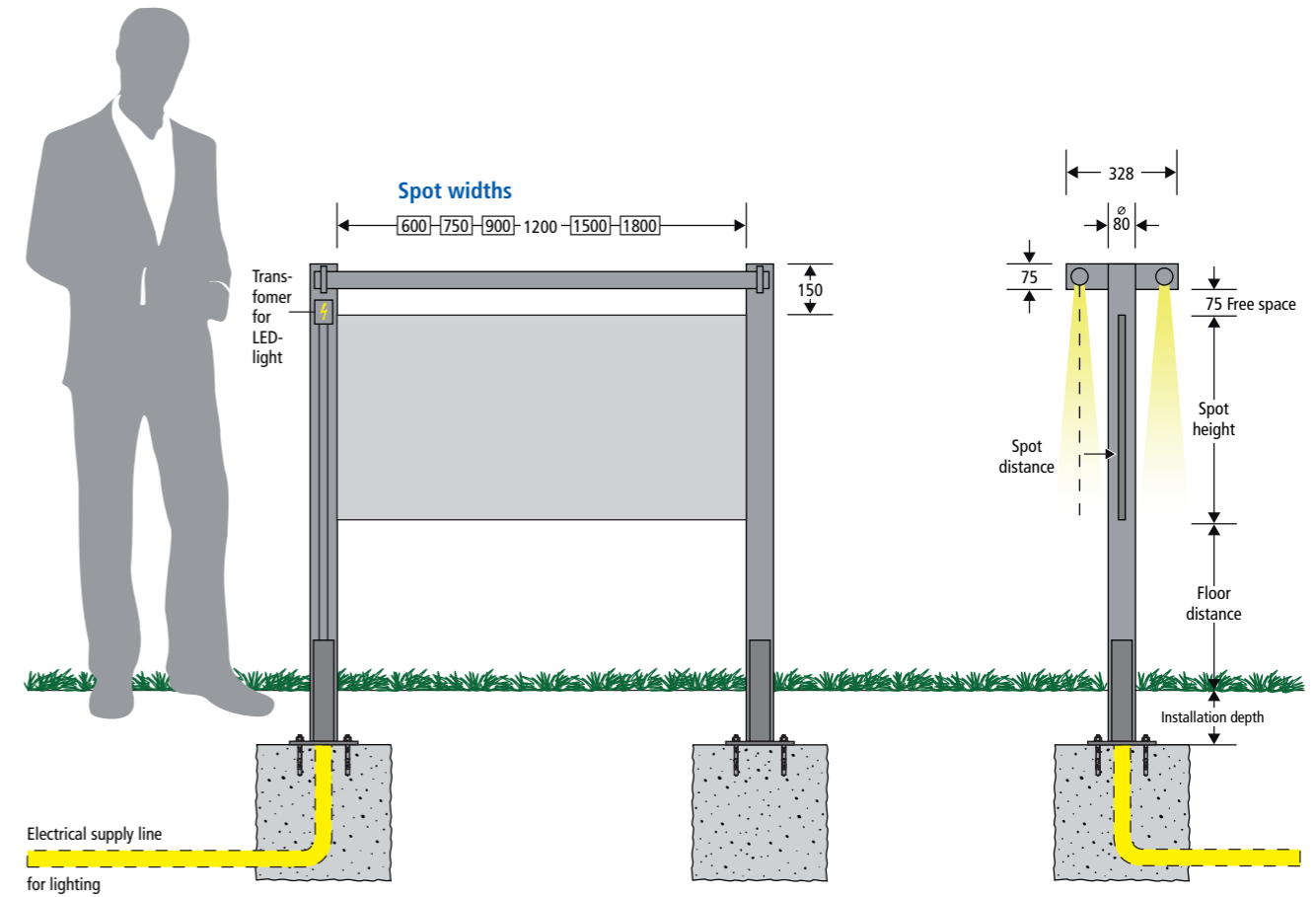
The new LED spotlight elements are far more energy-saving and efficient than the previous tube version. The previous elements can be replaced with the new LED version with little effort.

Stand sign with LED RASL

The system quality that has proven itself for 25 years with
fresh design, LED technology and low energy consumption.

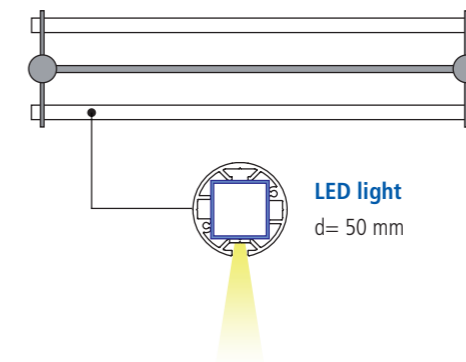
meng
signsystems

rohr+fläche



Standard

The power line is usually in the left stand tube of the front.
The low-voltage transformer can be reached in the upper end of this tube profile.
Deviating specifications must be specified before the start of production.



LED light
d= 50 mm

Energy and light

Connected load	230 volt
Low voltage	12 Volt
Protection class	IP 67 transformer IP 65 LEDs
Luminosity	300 lumen / meter
Energy consumption	6 Watt / meter
Energy efficiency	50 lumen / watt
Light color	6500 Kelvin

Article description	Execution	Size	Surface of the tubes
RASLE 120 S RAS rohr+fläche outdoor shield standard	RASLE Luminaire one sided RASLD Luminaire double sided	RASLE 120 S 120 Width in cm	S Tube silver anodized L Tube lacquered

Star signpost RARIM

Star-shaped panels pointing in 8 different directions with many design options.

rohr+fläche



Star-shaped

The star-shaped panels pointing in different directions can be individually designed in size, form and color. The thickness of the material is 4mm aluminum. Custom-made with larger surfaces, however, need 6mm thickness, or more. A compass disc shows the heavenly directions while keeping grass away.

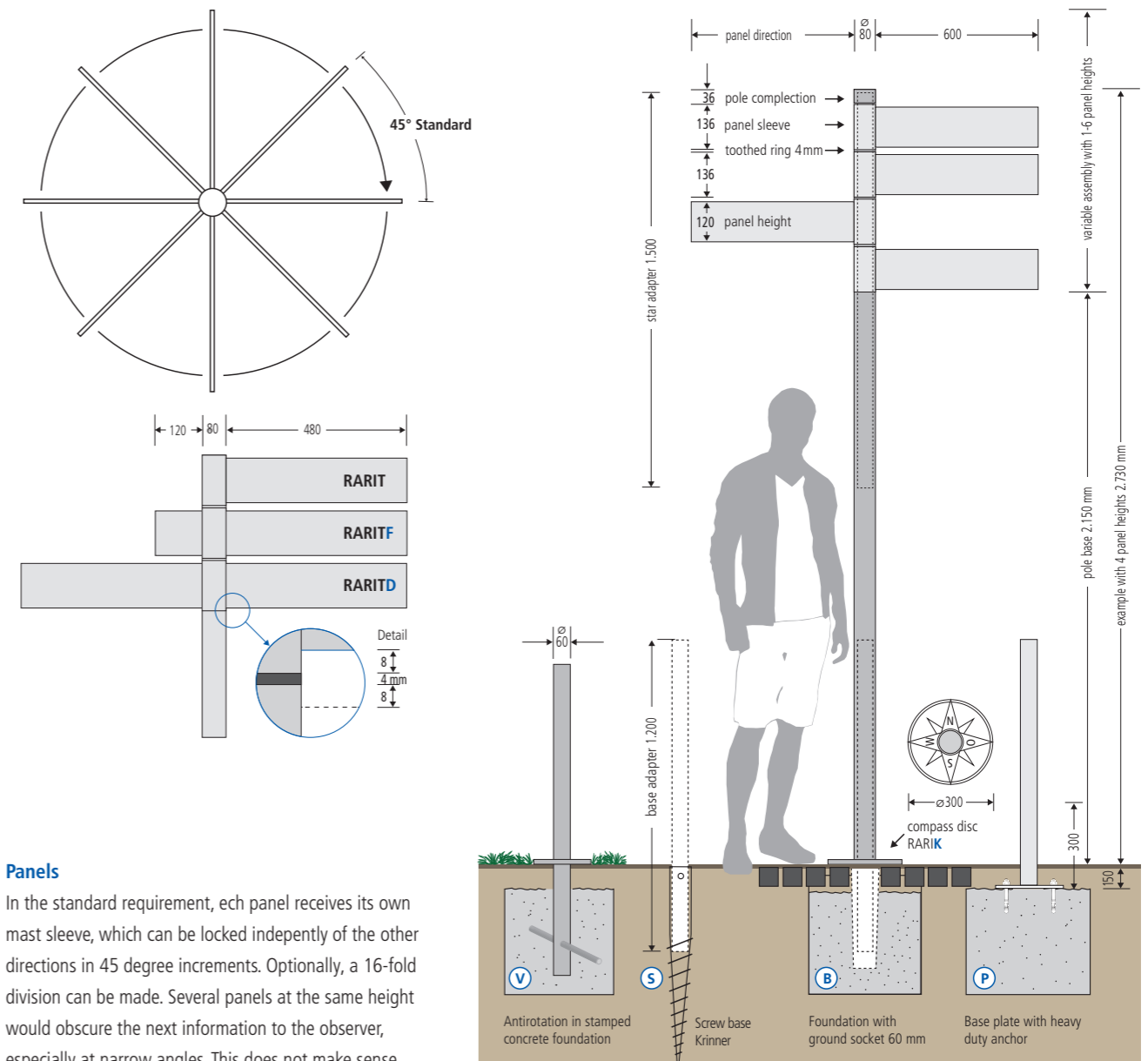
12.2020 © www.meng.de

Star signpost RARIM

The star signposts of the pipe+surface system offer unsurpassed flexibility.

meng
signsystems

rohr+fläche



Panels

In the standard requirement, each panel receives its own mast sleeve, which can be locked independently of the other directions in 45 degree increments. Optionally, a 16-fold division can be made. Several panels at the same height would obscure the next information to the observer, especially at narrow angles. This does not make sense ergonomically. Only with opposite targets are both equally visible. Therefore, the star signpost also allows a 180 degree arrangement at the same height. Interesting is a design variant in which an opposite extension, such as a material fusion appears with coats of arms or logos for example from sponsors can be labeled.

RARIM 215 L		RARIT 1248 (bzw. 1260)		RARIV		RARIM 215 L	
RARI	pipe+surface outdoor stand pointing the way	RARIT 1248	textpanel 12 x 48 cm	RARIV	antirotation	S	anodised silver
M 215	pole, length 215 cm (for quiver foundation)	RARIT 1260	textpanel 12 x 60 cm	RARIS	screw base krinner	L	lackered
RARIMP	pole with footplate	RARITD 1260	doublepanel 2 x 60 cm	RARIB	ground socket, cast		
		RARITF 1260	60 cm with extension	RARIK	compass disc		
		RARITI	panel individual form/dimension				
Article, pole		direction panels		accessories		surface of the pipes	

Desk stand RAM

The weatherproof outdoor version for garden shows, cemeteries, parks, exhibitions or in front of stores.

rohr+fläche



Safely stored

The rainproof flyer box provides proven and reliable protection for the inserted printed matter. The integrated storage compartment is robust and transparent so that the flyers can be seen. The inscribable aluminum desk surface is fastened with stainless steel hinges and closes automatically.



12.2020 © www.meng.de

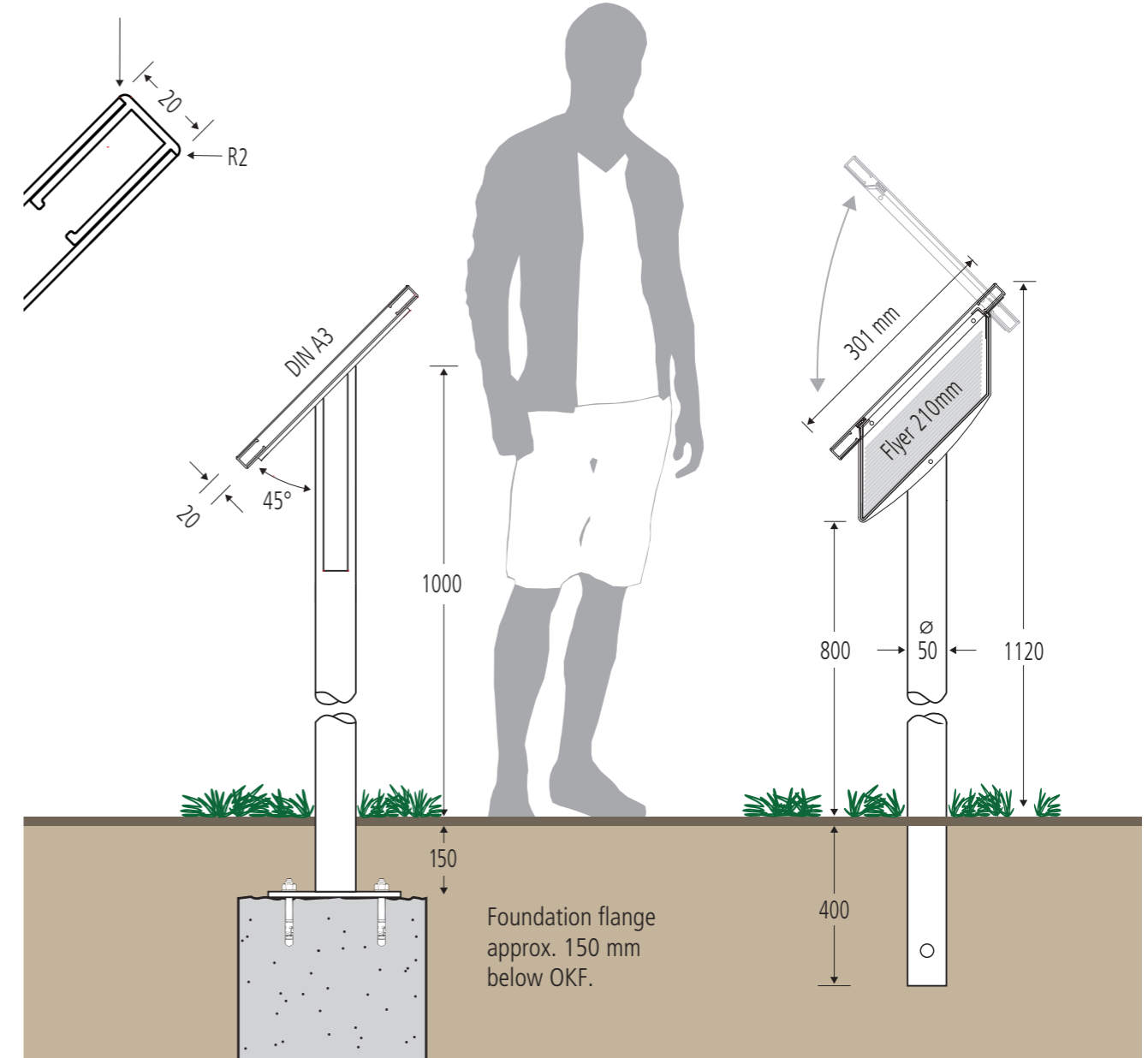
Desk stand RAM

The tried and tested desk signs for outdoor use with and without flyer box.

meng
signsystems

rohr+fläche

Detail: Integrated nibble-off protective edge for flush-fitted digital printing films.



Anchoring under corridor

Galvanized foundation flange plate (RAMP) with 4 anchor bolts.

Alternatively, lectern stands can also be ordered as RAMK for installation in quivers or for setting in concrete.

Article description	Execution	Size	Surface of the tubes
RAMP 11242 S	RAMP with plate (foundation flange)	112 cm Height in cm	S Metal parts silver anodized
RAM stands for the rohr+fläche outer shield medium	RAMPF with flyer box	42 cm Width in cm (DIN A3)	L Metal parts lacquered
	RAMK for installation in sleeves or for setting in concrete		
	RAMKF with flyer box		

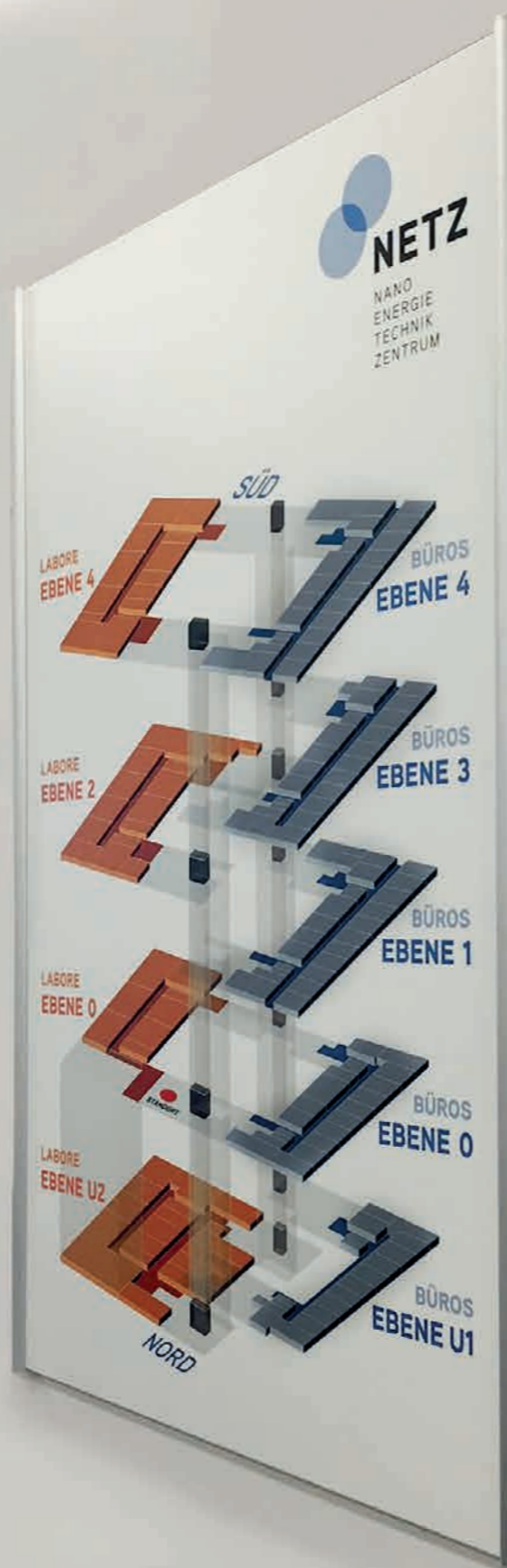
Overviews wall mounted RU

Significant round elements characterize the consistent design of the guidance system.

rohr+fläche

The wall-mounted signposts of the **rohr+fläche** system are available in a wide range of different materials, dimensions and designs. This means that practically no situation is conceivable in which a costly custom design would be required. The surface design of the signs with lettering, signs, arrows, color and graphics can be individually adapted to the customer. The significant round elements form the recurring identity in all parts belonging to the guidance system.

The photo shows an overview with 1,500 mm height and 750 mm width.



Overviews wall mounted RU

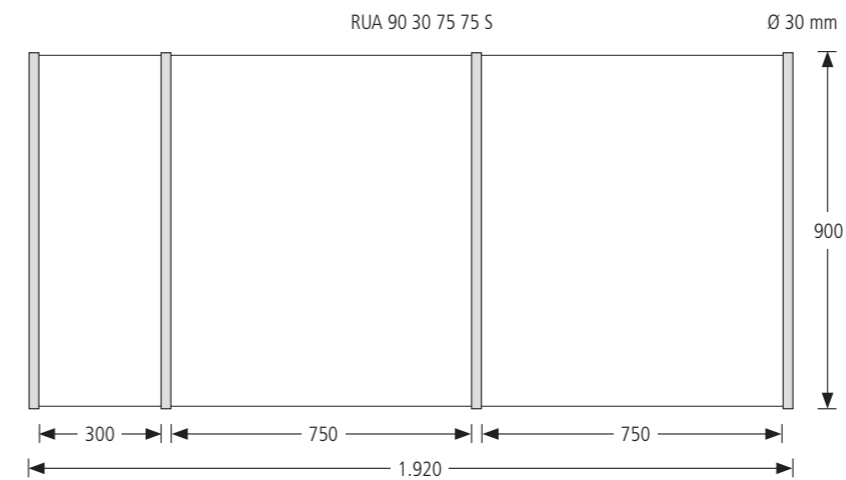
The round profiles on the sides allow the insertion of individual surfaces.

rohr+fläche

Whether overview boards are equipped with plug-in panels or with continuous information surfaces depends on the user's needs. If replacement is not required too frequently, it makes sense to use foil texts or digital prints on a freely designable surface. This solution offers a cost advantage over individual panels. The texts can still be replaced by peeling off the foils. The sizes of the panels can be freely selected within the basic grid.

A combination of several panels next to each other or with pin/magnet surfaces is also possible. magnetic surfaces is possible. The tube profiles serve as holding rails for the surfaces. When determining the height, it must be noted that the height above or below the sign is sufficient to

push out the panels, if necessary the area must be divided. The width between the tubes should not exceed 900 mm for stability reasons. The surface height per panel should be at least half the width.



Example I

Here, three freely designable surfaces are combined with tubes of 30 mm each.

Article number:
RUH 90 30 75 75 S for back-covered acrylic panels.

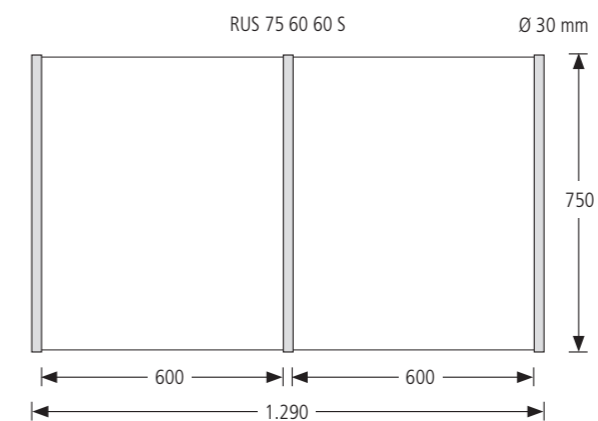
Can also be equipped with a combined pin and magnetic surface.



Example II

In this overview, two freely designable surfaces are combined with tubes of 30 mm each.

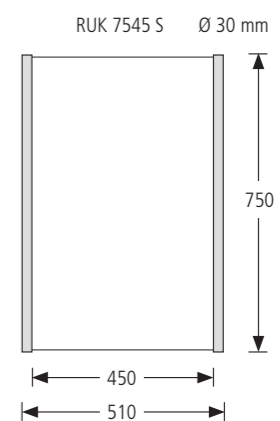
Article number:
RUS 75 60 60 S for aluminum panels with additional acrylic cover.



Example III

In this example, a surface with tubes of 30 mm each was used.

Article number:
RUK 7545 S with a clear acrylic panel.



Article description	Surface material	Size	Surface of the tubes	Customized
RUF 12075 L RU stands for rohr+fläche overviews	RUA lacquered aluminum RUK clear acrylic RUF solid white acrylic RUH backed acrylic RUS Sandwich construction: Aluminum plate with acrylic cover	120 Height in cm 75 Width in cm	S Silver anodized L Lacquered	Important: Not all sizes can be realized in all variants. Prior coordination is recommended.

Escape signpost RFW

Photoluminescent escape signpost made of stainless steel, without chains and eyelets.

rohr+fläche



F02



F02_2



F03



F03_2



F04



F05



F06



F07



F08



F09

In addition to the costly escape route luminaires, the less expensive afterglow version is sufficient in many places if no safety lighting is available. Especially for visitor and guest areas, meng has developed a high-quality yet simple solution: Sign holders made of frosted stainless steel with laterally stable tubes (d = 8 mm) allow both wall and ceiling mounting. The suspension technique in metal grid ceilings offers the invaluable advantage that no drilling is required in the ceiling during installation. Low-reflection 1.5 mm thick acrylic discs provide exemplary protection for the photoluminescent films.

Escape signpost RFW

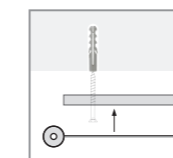
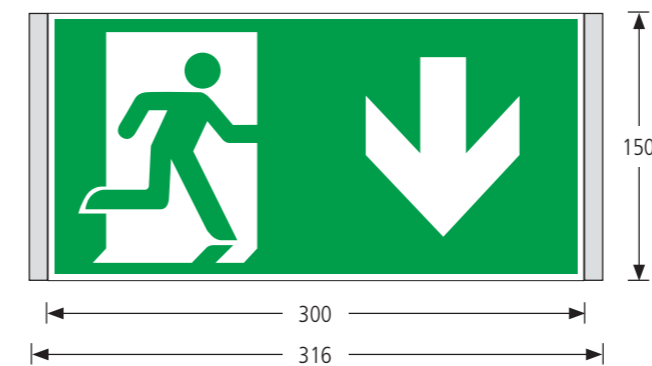
Convenient wall and ceiling mountings enable quick assembly.

rohr+fläche

The use of escape signposts in buildings is governed by various regulations. These specify symbolism, attachment and design. Where no illuminated version is mandatory, photoluminescent surfaces can be used. The **system rohr+fläche** allows also for these signposts a solution in continuous design. A stainless steel sign specially designed for this application can be used both as a wall-mounted version and as a single or double-sided ceiling sign.

Execution

The color design and symbolism of the escape signposts are specified in the workplace directive ASR A1.3 and in the standard DIN EN ISO 7010. They are available with differently arranged pictograms and can therefore be supplied to suit all required situations on site.



Wall signs

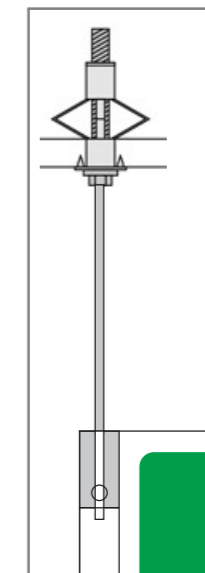
First, mounting plates are doweled or glued to the wall. Then the stainless steel signs with the respective pictogram are glued on.

Ceiling signs

In the ceiling-mounted version, fine brass nipples with stainless steel clamping screws are integrated in the tubes. The signs can be safely suspended using the fine steel cable (d = 1.8 mm) of the normal signposts. An M3 clamping screw fixes the sign adjustably to the suspension. Perforated covers allow easy anchoring without drilling. A 2 mm stainless steel wire is angled and hooked into the ceiling holes. The sign is then fixed to the wire rods.

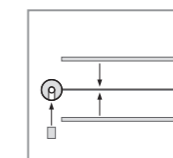
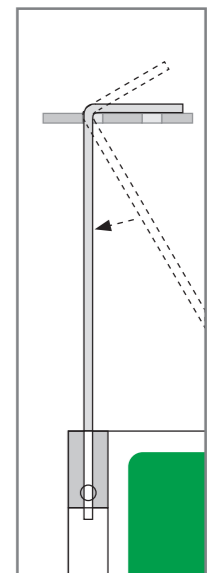
Rope attachment

in plasterboard ceilings.



Wire attachment

in perforated metal ceilings.



Ceiling signs

The pictograms on the ceiling suspended double-sided escape route signs are also glued on. Material thickness 5 mm, weight 500 gr.

RFWW 1530 F04	RFWW 1530 F04	RFWW 1530 F04	RFWW 1530 F04
RFW stands for rohr+fläche Fluchtwegweiser	RFWW Wall RFWE one sided ceiling RFWD double sided ceiling	15 Height in cm 30 Width in cm (for up to 15 meters reading distance).	F04 Icon with arrow pointing left
Article description	Suspension type	Size	Arrow direction selection

Signpost ceiling mounted RD

Significant round elements characterize the consistent design of the guidance system.

rohr+fläche



The ceiling mounted direction signs of the **rohr+fläche** system are available in a wide range of different materials, dimensions and designs. This means that practically no situation is conceivable in which a costly custom design would be required. The surface design of the signs with lettering, signs, arrows, color and graphics can be individually adapted to the customer. The significant round elements form the recurring identity for all parts of the signage system. The photo shows a ceiling sign with a height of 300 mm and a width of 1,200 mm.

12/2020 © www.meng.de

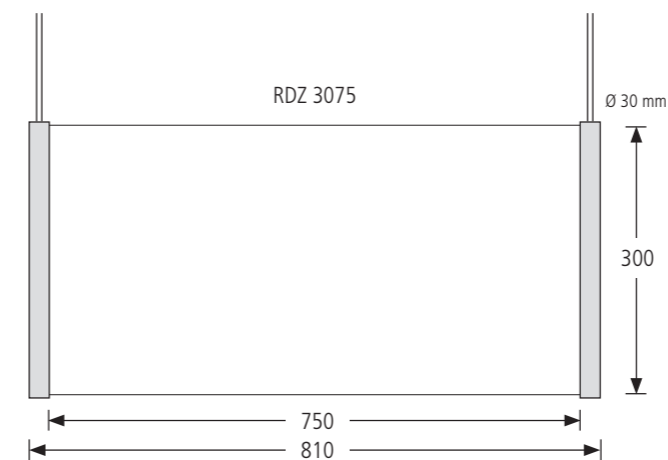
Signpost ceiling mounted RD

The lateral profile grooves allow the insertion of individual panel materials up to 8 mm thick.

meng
signsystems

rohr+fläche

With ceiling mounted signs, there is no need to think about dusty chains and hooks. The rope suspension system from **rohr+fläche** works with fine steel ropes and elegant, adjustable clamping bushes that can be adjusted at the push of a button. We place special emphasis on the ceiling connection: The fine cable is pressed directly into the screw, so that only the screw head with washer is visible on the ceiling. However, the system also allows other fastening options – for example, the tube can extend to the ceiling or a rigid pendulum rod can connect the signpost to the ceiling anchor. When deciding on a particular width, attention must be paid to the deflection stability of the surface material. For narrow, long signs we recommend double-walled aluminum panels.



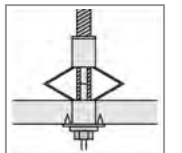
Solid ceilings

Dowel screw with pressed-in rope for solid ceilings.



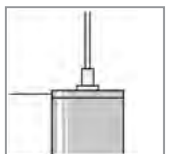
Cavity ceilings

Cavity ceiling cavity anchor with expansion device. Anchor and cable screw are equipped with M6 thread. Assembly pliers are available as an accessory.

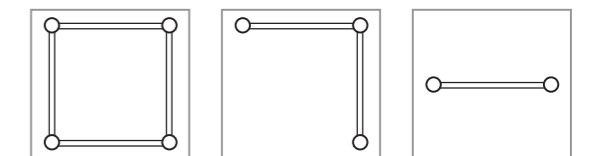


Quick adjustment

On tension, the nipple clamps tightly around the rope. Pressing the detent button allows the shield to be aligned, adjusted in height or removed. The end of the rope disappears into the tube. This gives an elegant appearance is given.



Possible arrangement variants for combined overhead signposts



Standard sizes

Data in mm	450	600	750	900	1.200
150	RD..1545	RD..1560	RDA1575	RDA1590	RDA15120
200	RD..2045	RD..2060	RD..2075	RDA 2090	
300	RD..3045	RD..3060	RD..3075	RD..3090	
450	RD..4545	RD..4560	RD..4575	RD..4590	

Panel sizes

For stability reasons, long, narrow panels are only recommended in aluminum (RDA). A modular design with individual surfaces on top of each other and several columns next to each other is also possible. The labeling can be applied on both sides in each case.

Article description	Surface material	Size	Surface of the tubes
RDA 3090 L RD stands for rohr+fläche ceiling suspended signpost	RDA lacquered aluminum RDK clear acrylic RDF solid white acrylic RDH backed acrylic RDE stainless steel, ground RDZ double-sided back-covered acrylic 2 x 4 mm	30 Height in cm 90 Width in cm	S Silver anodized L Lacquered

Doorplate large RTL

Large scale door sign for administrations, schools, clinical institutions, residential care home for the elderly...

rohr+fläche



... if assignment plans, extensive information or large, well-legible lettering are required. Based on simple geometric forms, the **rohr+fläche** doorplate has become a classic. Since 1991, the original has been awarded with numerous different design awards.

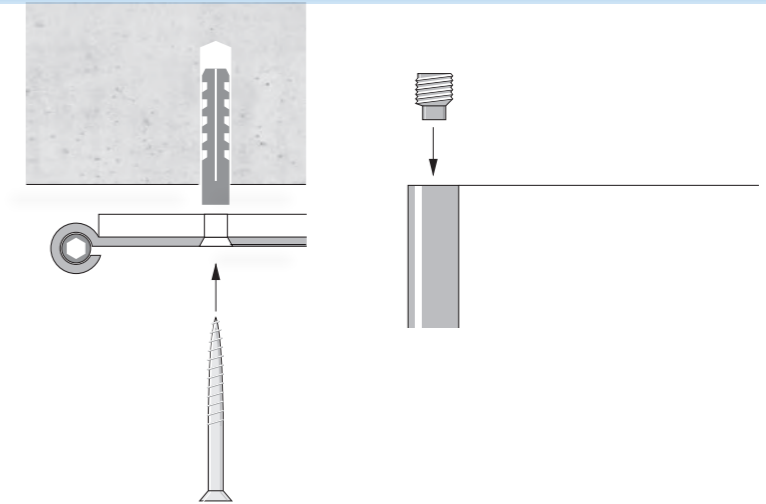
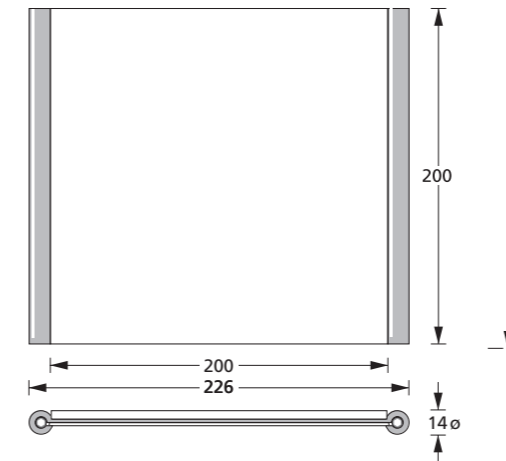
09/2019 © www.meng.de

Doorplate large RTL

The large format facilitates even DIN A4 label inlays.

meng
signsystems

rohr+fläche



Doorplate large RTL

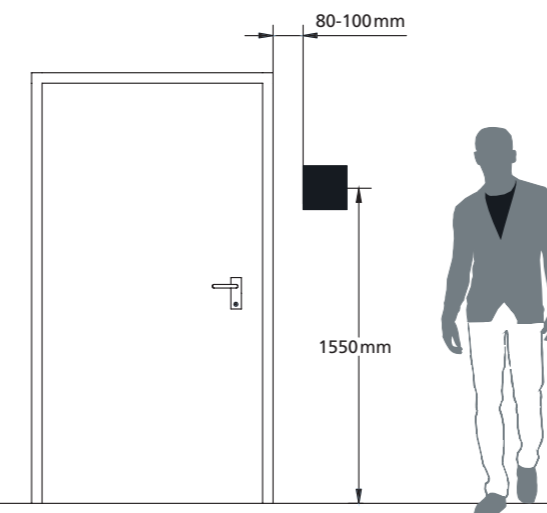
The large **rohr+fläche** door sign has a visible width of 200 mm framed by its round edge profiles. It therefore also supports paper inlays of a 210 mm width. For this variant, we also provide perforated DIN A4 for each format. Additionally, we offer a version for exchangeable modules ready for frequent exchange of uncut DIN A4 sheets. Instead of stud bolts, the latter disposes of a lower stop angle for both glass and inlays.

Installation

Raw plug installations applying counter sunk screws are common. In this case, the screws are invisibly hidden behind the label inlays. Please explicitly order a clued installation for solid even walls, as well as custom fixations such as magnets for walls and furniture made from steel. Each variant is delivered together with enclosed attachment material.

Design

The aluminium system profile is responsible for fixing an individually labelable caption inlay between a non-reflecting acrylic glass cover and a neutral back panel. A compatible system key opens the stud bolt lock.



Standard formats

Visible width	Height
200	
RTL 10 =	100
RTL 15 =	150
RTL 20 =	200
RTL 30 =	297

Article	Size	Pipe Surface	Customized Solution
RTL 20 L RTL stand for rohr+ fläche doorsign Large	20 Height in cm The width of the doorsign is always 200 mm	L Lacquered S silver anodized E6/EV1	The system can easily adapted to individual lengths. The visible width of 200 mm is constant. Please enquire about stainless steel stud bolts for – rather rare – outdoor application.

Doorplate small RTS

Significant round elements characterize the consistent design of the guidance system.

rohr+fläche



Further use

In addition to the „normal“ use as a doorplate with room number, department designation and name, the sign can be equipped with pictograms or warning notices. The system profile is also used in a different configuration and height as a lift panel (see overviews) and as a table display (see variable information).

Doorplate small RTS

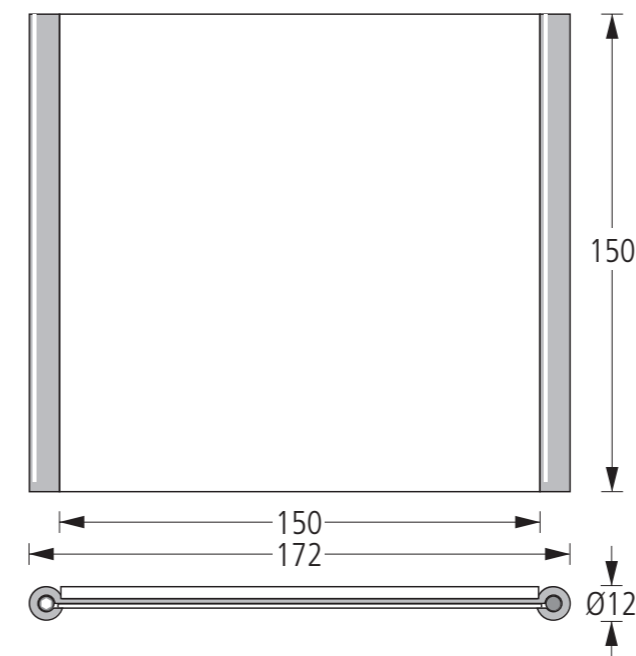
The round profiles on the sides allow the insertion of individual surfaces.

meng
signsystems

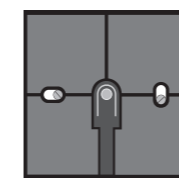
rohr+fläche

Dimensions

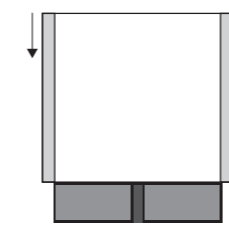
The width specifications always refer to the visible width, i.e. the area of a sign that can be used for information. The width of the side round elements must be added for the total width.



Mounting:

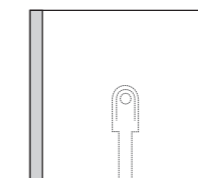


Fasten the mounting plate.

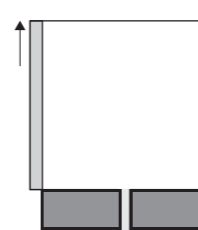


Push on the shield until it snaps into place.

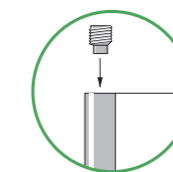
Disassembly:



Unlock with tool.



Push up sign.



The inserts are secured against unauthorized removal at the top with 2 stud screws. Never tighten them!

The original **rohr+fläche** doorplate was designed as the first continuous sign system for EDP labeling. The user has the possibility to carry out initial or subsequent inscriptions of the door signs himself by means of EDP print. The door sign consists of an aluminum profile with lateral vertical round elements in a visible width of 150 mm. The information carrier and an acrylic panel are inserted and secured into the profile. The scope of delivery includes the acrylic cover pane (one side glossy, one side matt anti-reflective) with diamond-polished edges, a white background plate, the mounting plate and the fixing material. In addition to the standard height of 150 mm, other heights are available.

Mounting

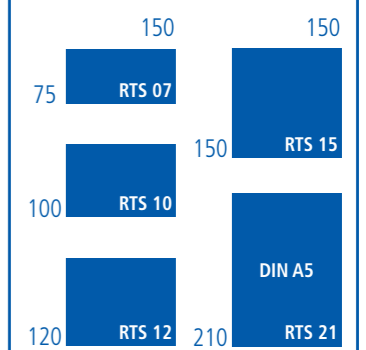
The wall mounting is usually doweled. The mounting plate can be attached in advance, and the labeled door sign is then completely clipped on. It is held and fixed securely by a special technique. It is also possible to attach the sign to smooth surfaces using adhesive tape or to steel walls using magnetic adhesion.

Fuse

The acrylic cover plate with the text sheet is secured in the profile by stud screws. A system key enables easy replacement of the information on the mounted sign. On request, we use outdoor door signs with stainless steel studs for a small extra charge.

Standard sizes

Date in mm



Article description	Size	Surface of the tubes
RTS 15 L	RTS 15 L	RTS 15 L
RTS stands for rohr+fläche door sign standard	15 Height in cm	S Silver anodized
	Width always 150 mm	L Lacquered



- to the table of content
- to **rohr+fläche**
- to **quintessenz** | Part 2 |
- to **system sieben**
- to **primavetro**

- to **ceform**
- to **transparenz**
- to **optimal**
- to the consultant on site



Exterior signs categories



Exterior pillars QA



Monoliths Q60AA



Flex monoliths Q60AV



Pylux QAGB



Desk sign QAP



Stand sign QASA



Interior signposts



Signpost ceiling mounted QD



- to the table of content
- to **rohr+fläche**
- to **quintessenz** | Part 1 |
- to **system sieben**
- to **primavetro**

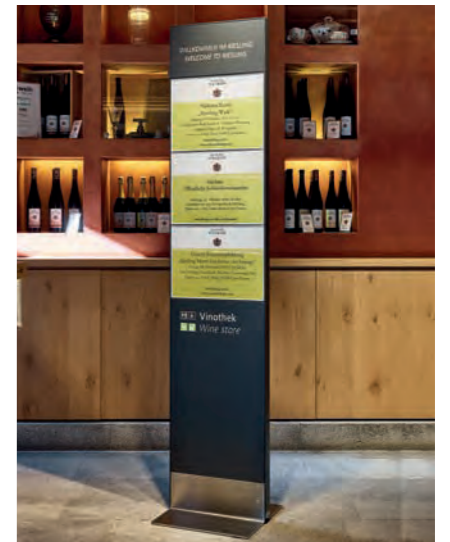
- to **ceform**
- to **transparenz**
- to **optimal**
- to the consultant on site



Overview wall mounted QUAM



Signpost wall mounted QW



Overview freestanding QM



Flag sign QF



Doorplates stainless steel, format overview



Doorplate stainless steel QTE



Doorplate with head panel QTEAK



Interchangeable module QVM



Flat show case QVF

Signs for exterior use

Our sign system quintessenz offers solutions for all customer demands

Σ quintessenz



quintessenz provides a consistent sign family fit for visual communication. It is therefore an optimal means of presenting your Corporate Design while simultaneously delivering key information on orientation and guidance to your customers.

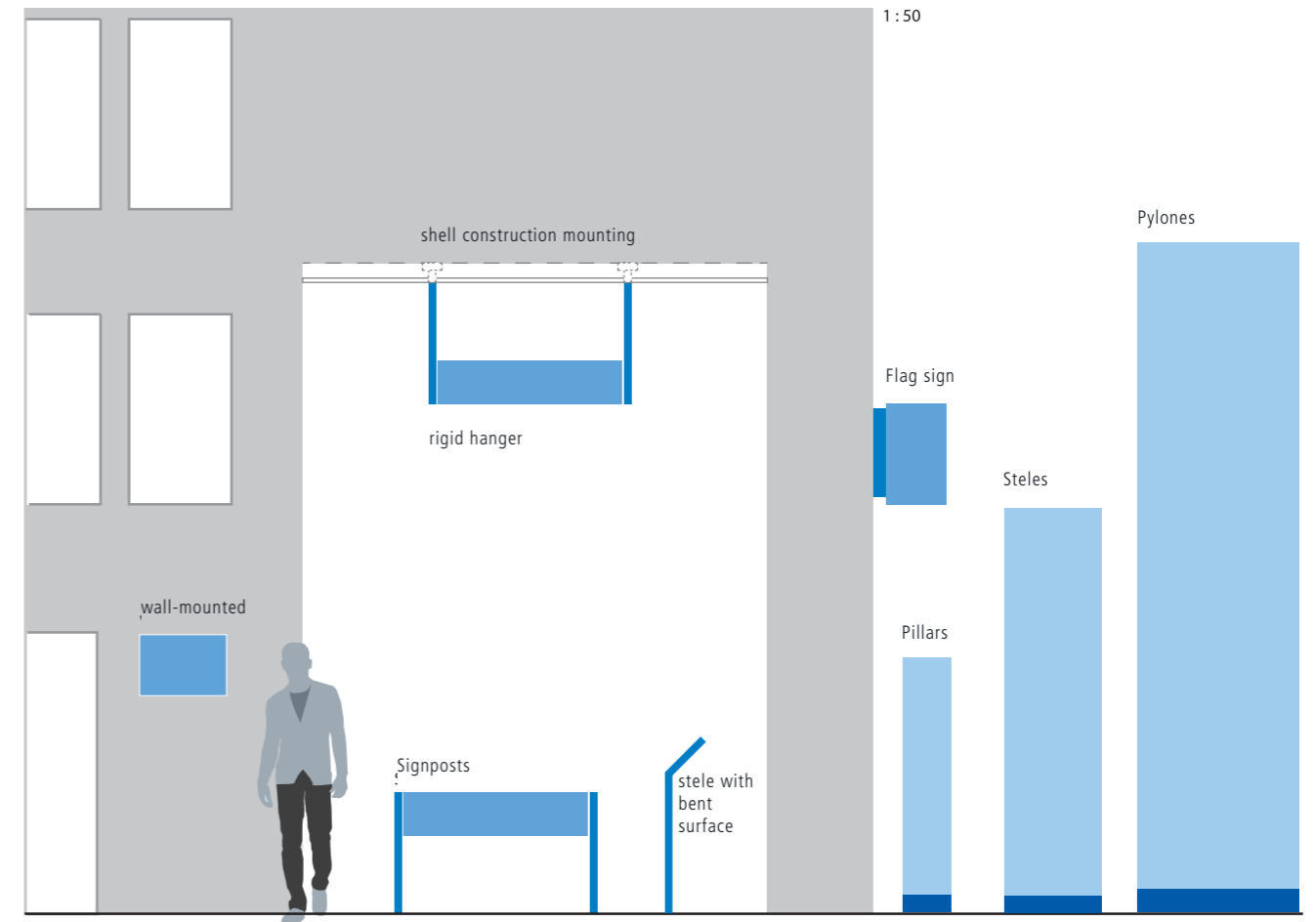
09/2019 © www.meng.de

Signs for exterior use

Categories and varieties

meng
signsystems

Σ quintessenz



Signs for exterior use

All individual parts of our **quintessenz** system are protected against corrosion and withstand weather conditions. So do the QWA wall-mounted signs. Nonetheless, we strongly advise additional excavation support systems to prevent unauthorized removal. The sandwich-like variable constructions such as QWV, providing support for paper or transparent inlays are not water-proof. Capillary attraction may lead to intruding water which ultimately can damage your valuable inlays or the sign itself. These constructions are not suitable for permanent outdoor usage.

Cantilever and ceiling-mounted signs

applied to facades and thoroughfares are subject to considerable wind forces. For this reason overhead ceiling is not allowed for signs used outdoor.

Fixed suspensions are to be anchored to the bare floor. Especially for security reason and for accessing fire rescue paths minimum widths and heights should be consired.

Please also note that the building material's capacity and an adequate suspension has to be verified by on-site stress analyses.

This espially applies to solutions for self-supporting walls, sockets and underground garages.

In case of self-supporting standard elements a covert underfloor instalation

is assumed, implaying a different appearance of visible studs or flanges. Therefore, customized studs, or flanges, respectively, will have to be orderedseparately and subsequently added. This may cause larger efforts and potentially less appealing optics.

The installation of both interior-lit and externally illuminated versions requires special cable cands. This will be consired on site. As it may involve considerable costs, we will not undertake further steps until further notice from our clients.

Exterior pillars QA

Slim steles for significant routing

Σ quintessenz



Our slim steles for exterior use are one of the most significant elements within the **quintessenz** system. Graphics and captions on visible surfaces may be freely arranged. Therefore, they are a strong visual support of your corporate design. Right picture: optional extras: elevated polished stainless steel caption.

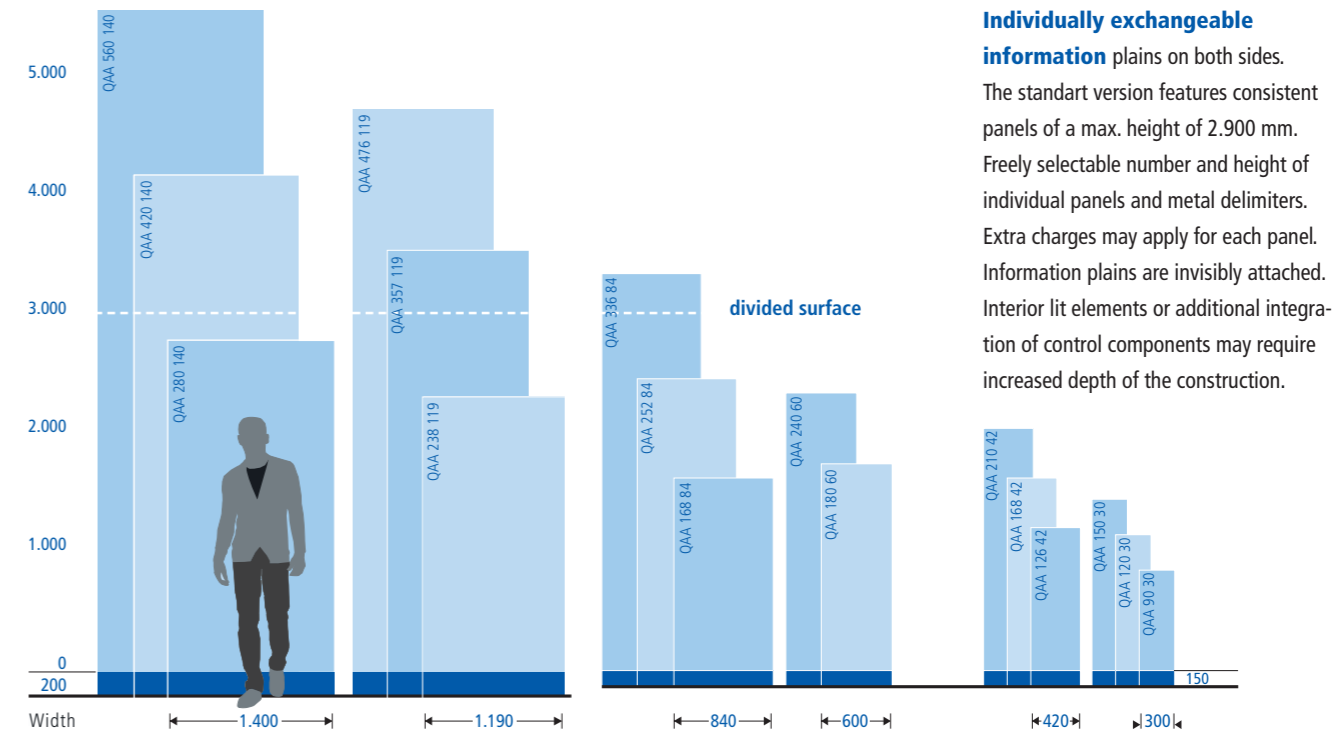
09/2019 ■ ■ ■ www.meng.de

Exterior pillars QA

Slim steles with individually exchangeable information spaces

meng
signsystems

Σ quintessenz



Individually exchangeable information plains on both sides. The standart version features consistent panels of a max. height of 2.900 mm. Freely selectable number and height of individual panels and metal delimiters. Extra charges may apply for each panel. Information plains are invisibly attached. Interior lit elements or additional integration of control components may require increased depth of the construction.

Pylon

system width 1.400 mm
system depth 230 mm
maximum visible height 5.600 mm
plus socket 200 mm
plus installation depth 200 mm
Total height above ground 6.000 mm
Strength of Aluminium sheet 3 mm

system width 1.190 mm
system depth 210 mm
maximum visible height 4.760 mm
plus socket 200 mm
plus installation depth 200 mm
Total height above ground 5.260 mm
Strength of Aluminium sheet 3 mm

Interior construction completely made of galvanized steel. Initial setup requires tower crane. Please consider relevant information on groundwork and statics.

Stele

system width 840 mm
system depth 125 mm
maximum visible height 3.360 mm
plus socket 150 mm
plus installation depth 150 mm
Total height above ground 3.660 mm
Strength of Aluminium sheet 2 mm

system width 600 mm
system depth 125 mm
maximum visible height 2.400 mm
plus socket 150 mm
plus installation depth 150 mm
Total height above ground 2.700 mm
Strength of Aluminium sheet 2 mm

Interior construction partly made of galvanized steel and aluminium. Smaller aluminium elements may not require tower crane for setup.

Small pillar for exterior use

system width 420 mm
system depth 48 mm
maximum visible height 2.100 mm
plus socket 150 mm
plus installation depth 150 mm
Total height above ground 2.400 mm
Strength of Aluminium sheet 2 mm

system width 300 mm
system depth 48 mm
maximum visible height 1.500 mm
plus socket 150 mm
plus installation depth 150 mm
Total height above ground 1.800 mm
Strength of Aluminium sheet 2 mm

Interior construction made from aluminium, stiffing made from galvanized steel. Manual installation.

Article	Material used for plains	Size	Customizing
QAA 21042	QAA aluminium QAE burnished stainless steel	Information space available for labelling: 210 x 42 cm Total height above ground 2.250 mm	Please consider additionally available information on intermedeiate sizes and continous, non-seperated metal sheets. We are looking forward to your enquiry on illuminated variants, integrated display cabinets, post boxes or electric bell systems

Monoliths Q60AA

Monoliths are the timelessly puristic form of conveying information.

Σ quintessenz



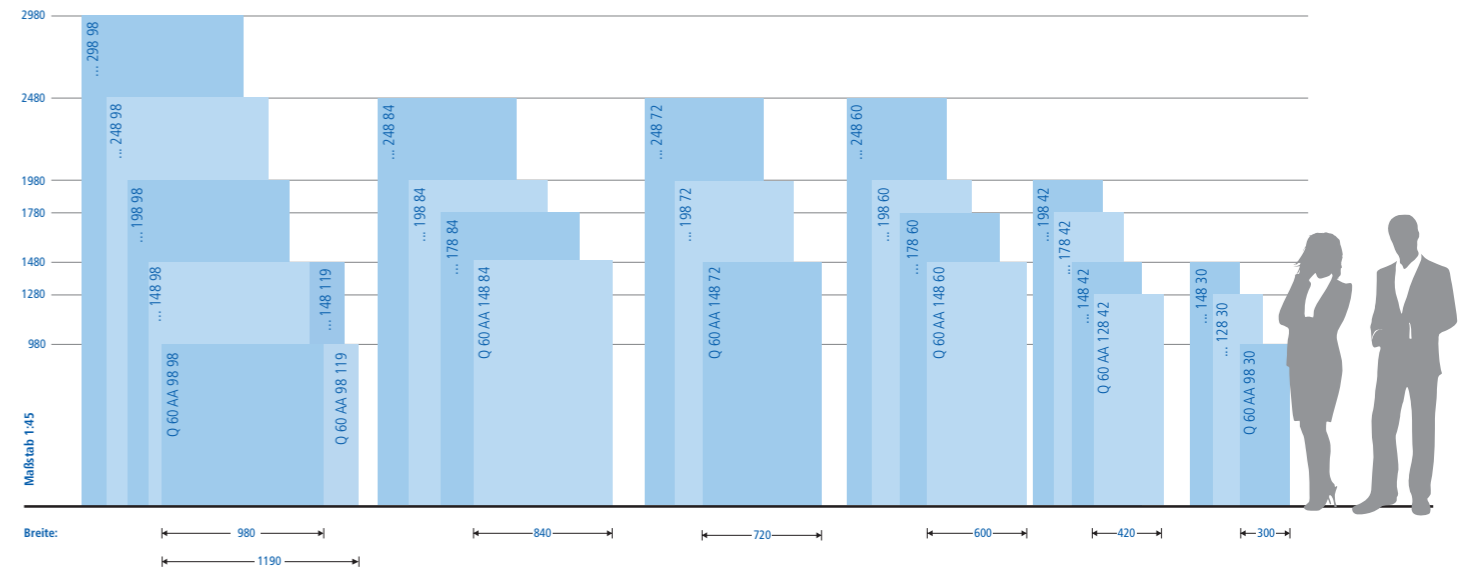
Monoliths

Monoliths are modern and attractive with their continuous effect of a one-piece body. The **quintessenz** of type Q 60 AA meets this requirement with successful solutions of an extensive choice of formats. All sides, both the information surfaces and the all-round slim frames with a construction depth of only 60 mm, are level and flush.

Monoliths Q60AA

Stelae and outer columns with only 60 mm installation depth.

Σ quintessenz



Hollow body made of aluminum

Since a monolith made of solid material would not be very economical to produce, the **quintessenz** solution is manufactured as an aluminum hollow body. The forcible material edges are so close to the body that they do not interfere with the monolith's optics.

For full-surface filming with digitally printed lettering, this profile also offers optimum protection against nibbling.

In contrast to the QAA type columns, neither individually exchangeable panels nor base plates are provided as standard.

Special dimensions for 60 mm installation depth

Heights: Up to the stability limits of the inner construction the following maximum heights are possible:

For 980 width not higher than 2,980 mm

For 1,190 width not higher than 1,980 mm

For 1,440 width not higher than 1,280 mm

The widths can vary between 200 mm and 1,440 mm.

The depth cannot be changed for the 60 mm profile dimension.

Lighting

The lighting can be achieved by means of a floor mounting beam. Custom-made panels with interior lighting are also available as custom-made products.

The floor area remains approx. 300 mm without illumination.

Non-illuminated edge in mm

420er width to 1.500 mm height = 40

980er width to 2.000 mm height = 65

720er width to 2.500 mm height = 65

980er width to 2.600 mm height = 95

840er width to 2.800 mm height = 95

720er width to 3.000 mm height = 95

980er width to 2.980 mm height = 140

1.190er width to 1.980 mm height = 140

Raw layout dimensions for labeling

When dimensioning the surfaces, the inscribable net area = sheet metal dimension is always named. The external dimensions are each 4 mm wider.

When the surfaces are dimensioned, the label is always labeled Net area = sheet metal dimension. For the outer dimensions, the profile edges of 2 mm must be added to each side and top.

Larger dimensions

require stronger interior structures. With a depth of 100 mm even pylons up to 6 meters high are possible. See data sheet Q100AV. Siehe Datenblatt Q100AV.

Article	Size	Material used for plains	Customizing
Q60AA 24884	Q60AA 24884	Q60AA 24884	
Q60AA stands for quintessenz	248 Height in cm	Alternative surface materials up to 2 mm flush with the surface, otherwise protruding, can only be offered individually after technical enquiry. Variations as large cantilever or ceiling signs are possible.	Custom-made products can cause additional costs due to the lack of the necessary equipment, but these costs are relative for larger quantities.
60 mm installation depth	84 Width in cm		
Outside signs with Aluminium surfaces			

Flex-Monolith Q60AV

A sign system will only meet its requirements if it can be designed flexibly.

Σ quintessenz



Active cities and adventure worlds require information elements with flexibly changeable panels. Concealed and protected against vandalism, the surfaces of the Flex monoliths can be individually re-labelled and exchanged.

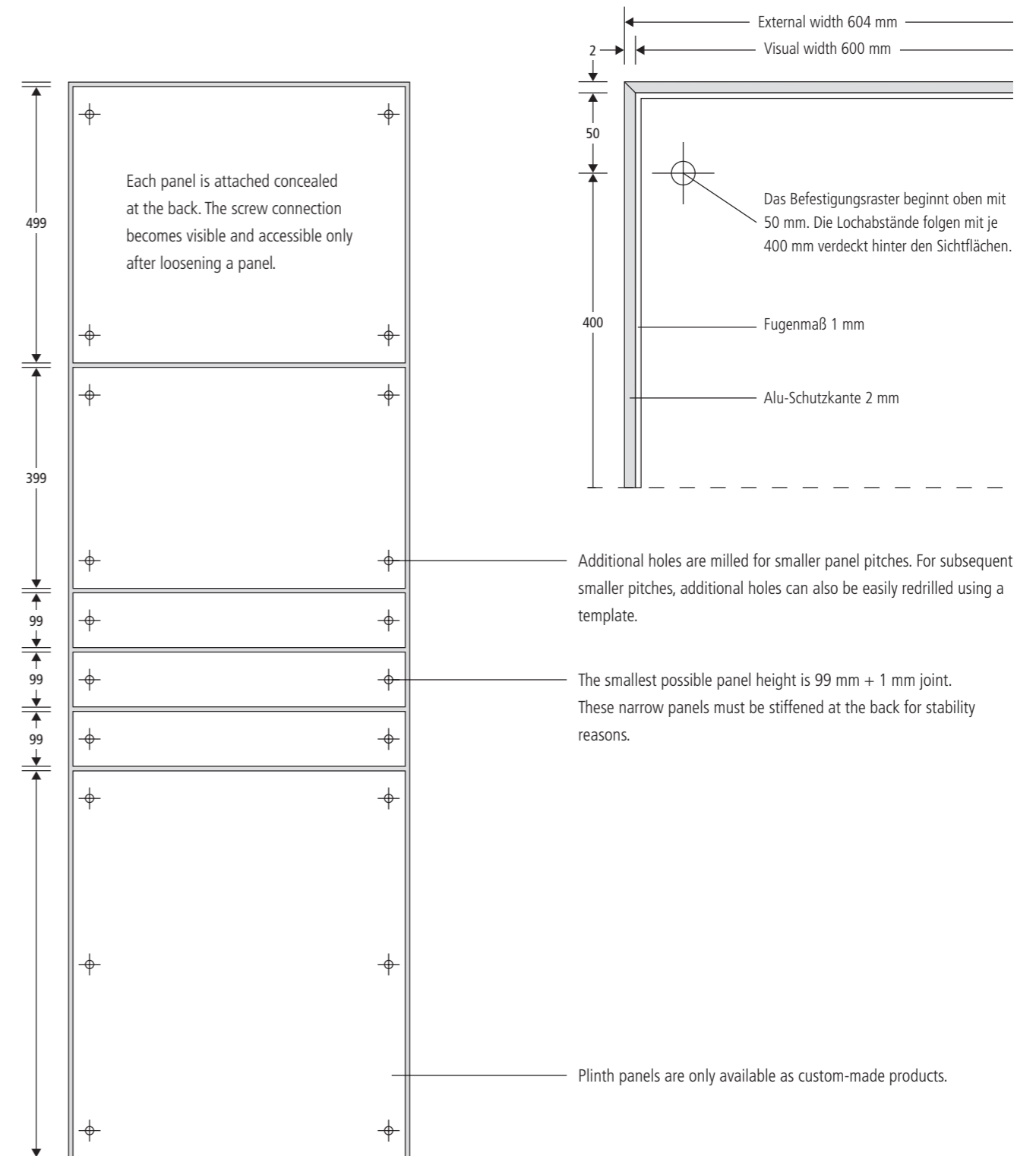
08.2020 © www.meng.de

Flex-Monolith Q60AV

The mounting grid 100 mm is standard. Individual grids can be made to measure.

meng
signsystems

Σ quintessenz



Article description	Size	Panel areas
Q60AV 22060 Q60AV stands for quintessenz 60 mm installation depth External signs with variable panels	Q60AV 22060 220 Height in cm 60 Width in cm	Q60AV 5060-2 50 Single panel height in cm 60 System width in cm 2 Sheet thickness 2 mm

Pylux QAGB

Slim pylons with interchangeable glass panels and minimal edges.

Σ quintessenz



Light to the outer edge!

This is only possible with the use of special LED technology and sophisticated system development.

08.2020 © www.meng.de

Pylux QAGB

Homogeneous illumination with minimal Edges set new standards.

Σ quintessenz

Almost without edge
The LED-lit steles and pylons require less than 2 cm glass surround. The illumination is photometrically optimized in such a way that it works homogeneously up to the outer edges.

Simple revision to the front
Each glass panel is attached in a concealed manner and individually exchangeable to the front.

Standard dimensions
Basis are the outer dimensions of the steles and pylons of the type QAA.

QAGB	Panelteilung wählbar
QAGB quintessenz	Hx Height Total
Outdoor signs	Bx Width outside
Glass	Kx Head panel
Lights up	Ex Single panel
	Sx Base panel

Article description

Desk sign QAP

Panel signs in highest quality for a long life cycle.

Σ quintessenz

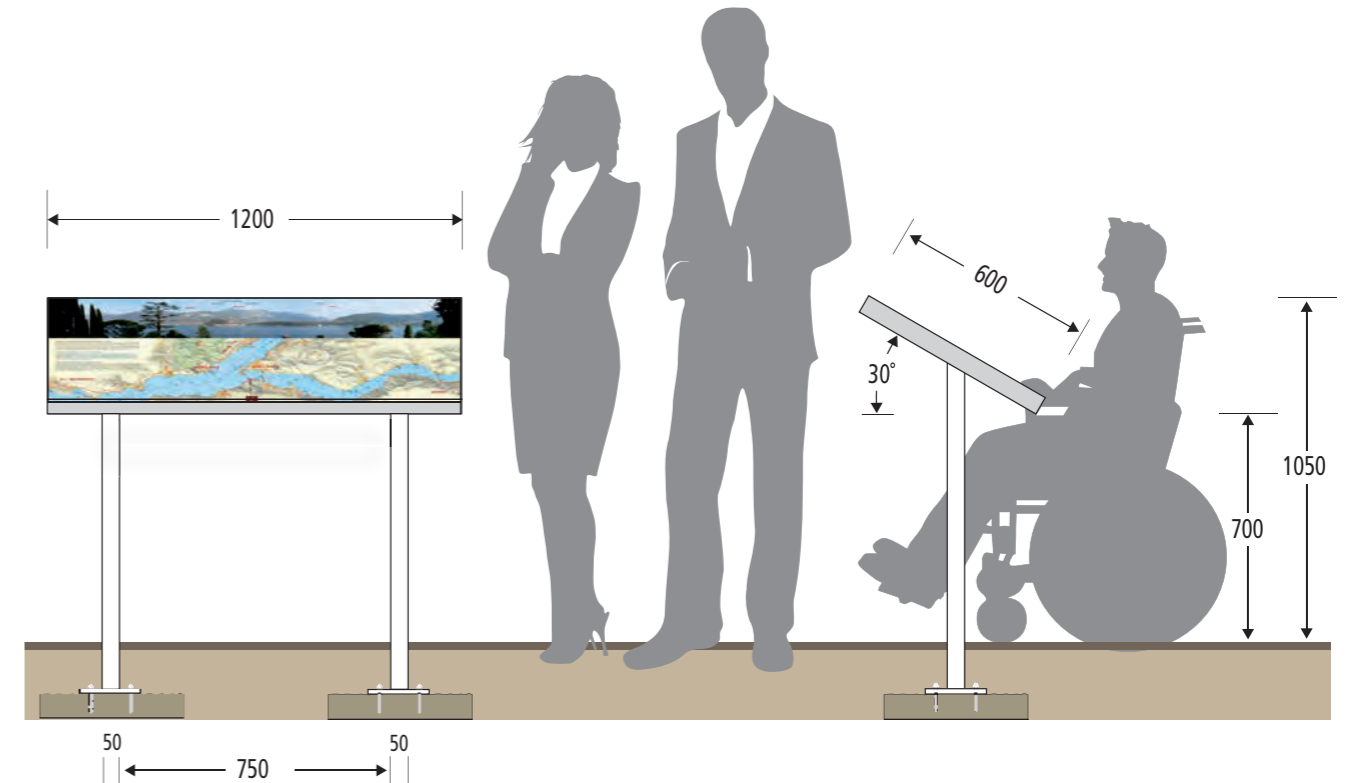
The desk stands of the quintessenz system offer ideal conditions for the barrier-free arrangement of tactile maps and tactile information. But they are also the solid solution for panoramic maps, which are protected behind safety glass, for public spaces.



Desk sign QAP

Compared to vertical information panels, consoles offer many advantages

Σ quintessenz



Main arguments

A desk sign informs without concealing the object of interest. A location-adapted plan is much easier to understand and to transfer to the viewer's environment. It is therefore preferable over a vertical perspective.

Barrier-free information access

Wheelchair-users and vision-impaired persons require appropriate ergonomic accessibility of information. For this reason, the front edge may not lie below 670 mm and passing under should be possible through additional space of 750 mm.

Standard format

Our desk signs have a standard height of 600 mm and a 1200 mm width respectively. A smaller version is available with measures of 500 mm and 1000 mm respectively.

The information space may either consist of a tactile relief plan or an ESG security glass protection of an 8mm strength. Also available: a metal board of aluminum. Irrespective of material, the information space is framed by justified 4mm metal edges. The completely mitted **quintessenz** profile is silver-anodized and disposes of an edge of 48 mm width.

It is mounted to two supportive columns made of galvanized steel and turned by 30° for comfortable reading. Colouring is available for all individual pieces of the product. The exchangeable reading console may be secured against unauthorized removal by hidden locks.

Article	Varianten	Size	Customizing
QAPG 60120	QAPG 60120	QAPG 60120	Changed dimensions and colors are possible. The consoles are also available with LED lighting.
QAP stands for quintessenz for exterior use Desk sign	G glass slab A aluminium T tactile information provision	60 Height in cm 120 Width in cm	

Stand sign QASA

Low/mid sized signs for communicating secondary information

Σ quintessenz



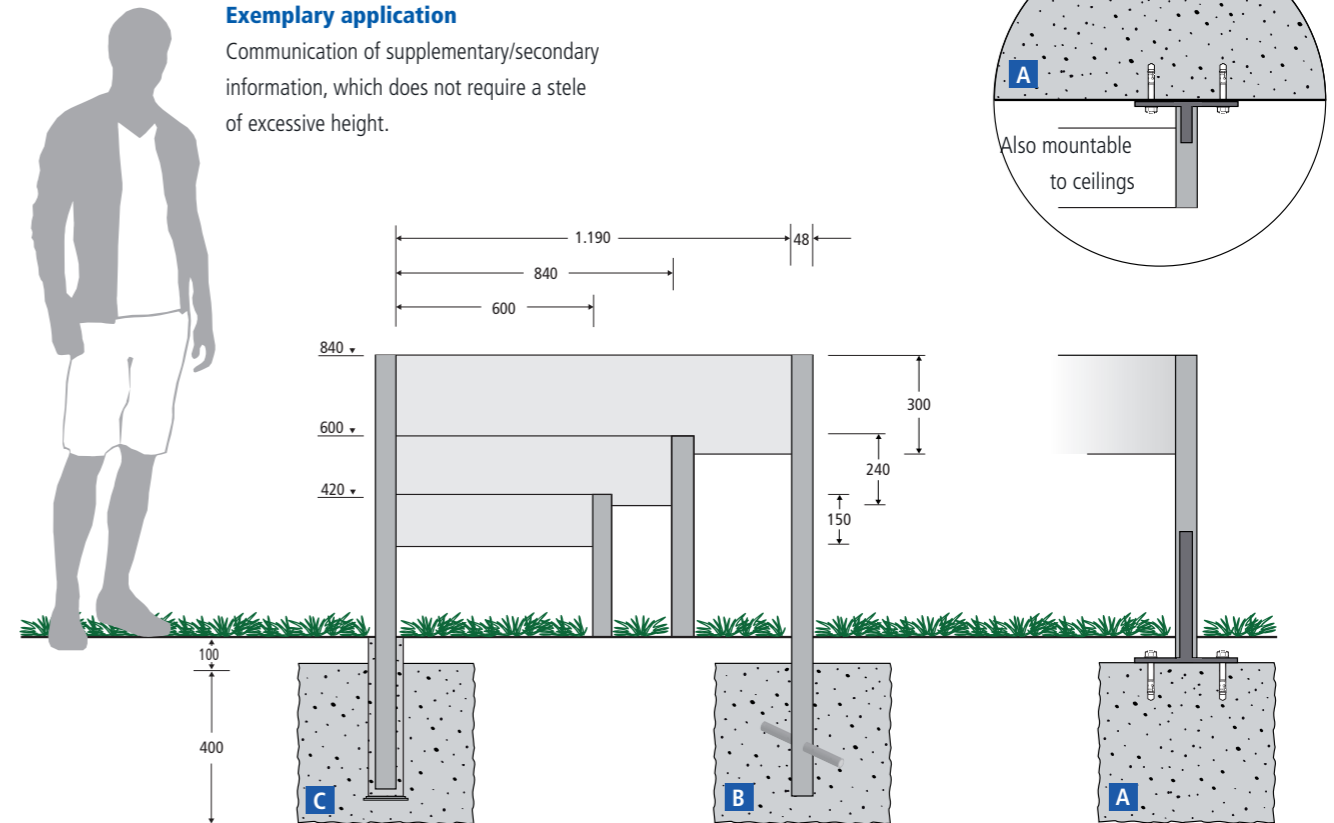
At times, outdoor pillars may appear too dominant for the provision of secondary information. In this case, you may consider our low-mounted signs, which are reasonably priced and easy to integrate to your existing guidance systems.

01/2021 © www.meng.de

Stand sign QASA

Low/mid sized signs with quadriatic profile

Σ quintessenz



Exemplary application

Communication of supplementary/secondary information, which does not require a steele of excessive height.

Installation

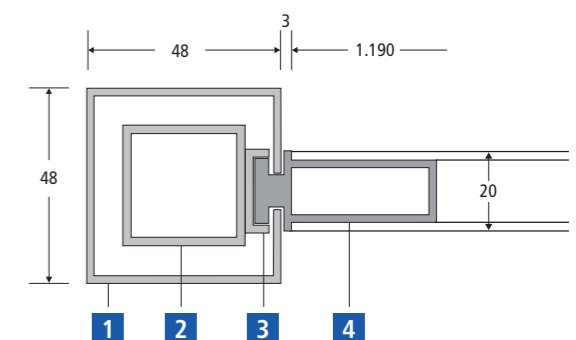
- A** Flanges for installation both onto solid foundations and ceilings.
- B** Concrete tampered foundation for direct ground insertion.
- C** As B, however, such as A additionally flanges have to be inserted to foundations for hardening prior to the sign installation.

Compatibility

Visible widths are explicitly adjusted to the **Quintessenz** steele system. Additionally, **r+f** panels are fully compatible.

Frame profiles

- 1** Aluminium post system measures 48 x 48 mm.
- 2** Reinforcement required for customizations with larger dimensions.
- 3** Adapter profiles are compatible with **r+f** frames
- 4** Hollow panels are available for custom labelling (area: 20 mm), design identical to our RASK and RAST models.



QASA 84119	QASA 84119	QASA 84119	
QAS Quintessenz signs for exterior use	QASA with hollow panels made of aluminium	84 Height in cm 119 Width in cm	Cut out, internally LED lit captions Surfaces made of stainless steel
Article	Standard	Size	Customizing

Interior Signage

The quintessenz signage system offers a unique monolithic Optic

Σ quintessenz



The quintessenz detachment protection preserves the quality of large digital prints and protects against damage. Version **QWAI**.

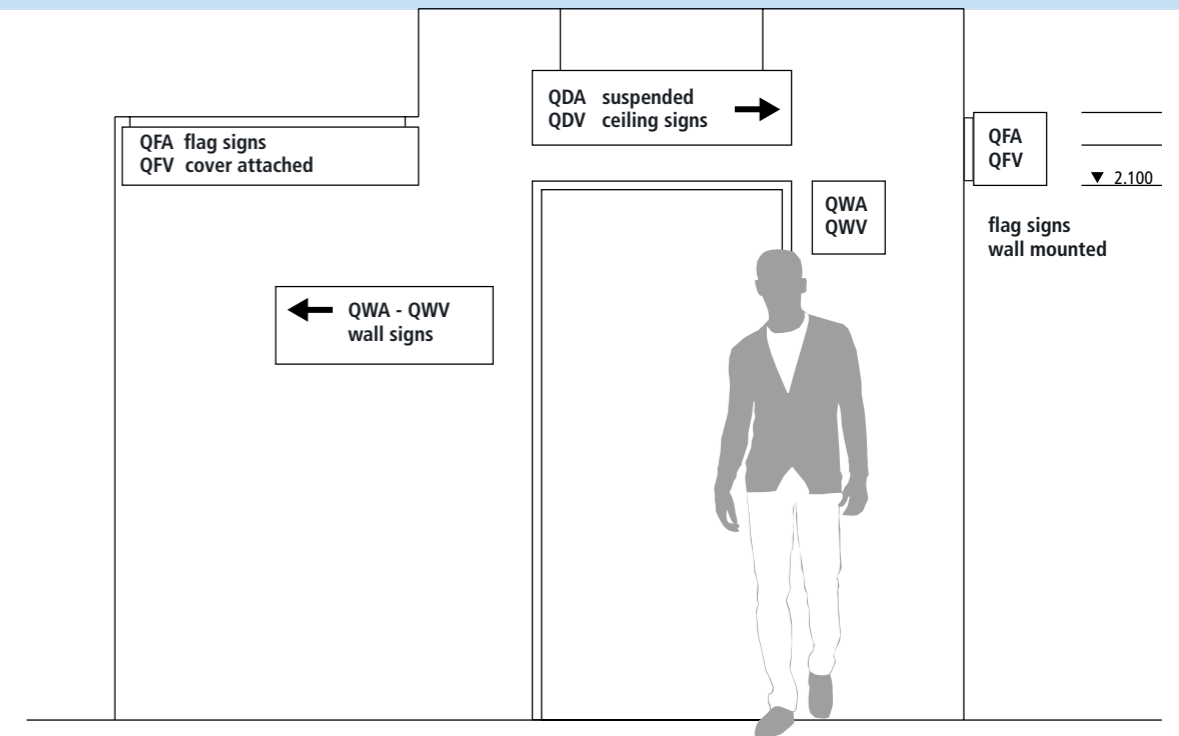
09-2019 © www.meng.de

Interior Signage

With the quintessenz-edgeprofiles, all arrangements are fastened concealed.

meng
signsystems

Σ quintessenz



Labeling Variants

The Classics QWA - QDA - QFA

They are mostly lacquered and permanently inscribed with slide texts or the digital m-print (material direct print).

The Basic Version QWAI - QDAI - QFAI

The aluminum plate is located behind the protective edge for the flat labeling with attached digital printing foils. Together with the foil, the basic version offers flush fit surfaces with an anti-skid protection. To change labels, the old foil is removed and a newly printed foil is glued. All surfaces are silver matt anodised.

The Multipurpose QWV - QDV - QFV

The multipurpose signs have glass covers protecting transparent or paper inlays. They may help to save costs in case of frequent inlay exchange.

Mounting Models

Wall signs QWA ...

They are equipped with a continuous information carrier on the front side. The special fastening techniques allow flat designs without visible screws.

Banneres QFA ...

They are usually wall-mounted elements, which can be seen on both sides in the longitudinal direction of corridors. They are therefore also called booths or nostrils. They are fixed by means of an adapter rail, which allows a wall distance of approx. 20 mm. The design of the banner shields is also suitable for direct mounting as ceiling panels with low false ceilings. The minimum height of 2.100 mm must always be observed!

Ceiling Signs QDA ...

These signs provide customizable labeling space on both sides. For a ceiling-hanged installation, they come with integrated fine steel wire as well as comfortably adaptable mounting system which also features a variety of anchors for different ceiling materials. These are also deliverable separately.

Example QWA 4260	Example QWA 4260	Individual Measures.
QW Quintessenz Wall signposts. QWA 2 mm Aluminum plains, laquered or anodized. QWAI with integrated detachment protection. QWV non-reflecting-Acryl, support variabel caption inlays.	Height 42 cm. Width 60 cm. The article number indicates merely rounded measures.	Special attachment solutions for exterior installation. Interior lit LED-signs with a depth of only 20 mm.
Article	Standard Measures	Customized Solutions

Signpost ceiling mounted QD

All elements of our quintessenz series follow the principle of a maximally consistent design.

Σ quintessenz



Ceiling signs make the information look seemingly light and weightless, especially when the elements are hung with elegant fine stainless steel wires.

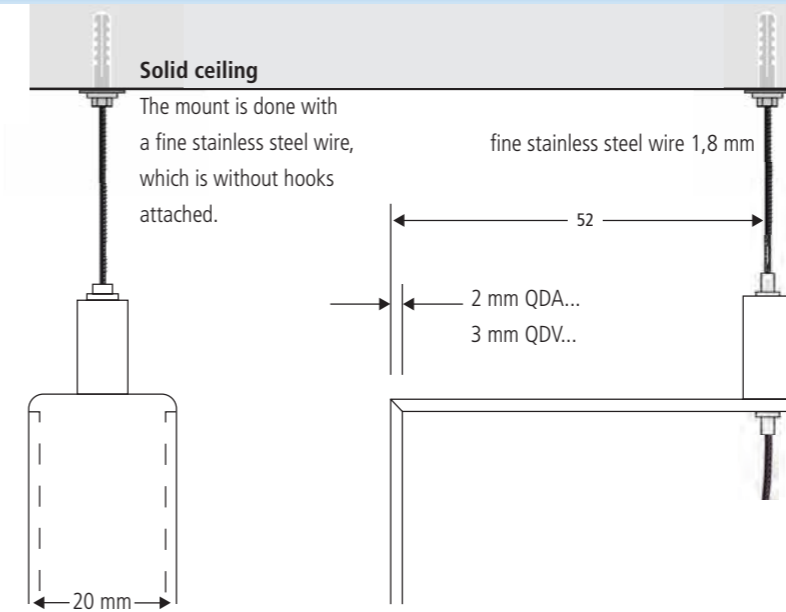
04-2020 ■ ■ ■ www.meng.de

Signpost ceiling mounted QD

The flat standard elements are anchored in the ceiling by variably adjustable fine stainless steel wires.

meng
signsystems

Σ quintessenz



Mounting

Standard distance from the shield's edge is 52 mm. The clamping device is fixed in tension; pressing the clamping sleeve, the shield can be aligned, adjusted or removed. The end of the wire disappears in the shield's body.

Design types

The ceiling-mounted signs are offered in three different designs. An aluminium version (QDA) is made of fully closed cassettes of 20 mm strength.

The (QDV) version may be custom labelled. It consists of a flexible frame construction, in which acrylic glass (antireflex) are fitted flush on both sides. Its label inlays can be changed.

Standardgrößen

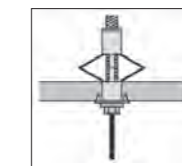
Angaben in mm	300	420	600	840
150	QD..1530	QD..1542	QD.. 1560	QD..1584
210	QD..2130	QD..2142	QD..2160	QD..2184
300	QD..3030	QD..3042	QD..3060	QD..3084

For the standard sizes

QDA, QDAI und QDV manufacturing programs are stored.

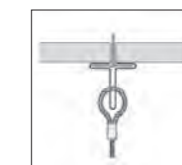
Individual measures

for QDA und QDAI are available up to max. 600 x 1.800 mm, subject to the mounting's loading capacity. For larger elements and exterior applications stronger system profiles, as well as rigid mountings have to be considered as fine steel wires are not allowed. The variable version QDV is only available for interior use and is limited to max. 300 x 840 mm.



Hollow ceiling

Anchor and wire screw are equipped with M6 thread. The wire is pressed into the screw. A mounting clamp is available as an accessory.



Noise insulated ceiling

For systems mounted to noise insulated ceiling, special fastening claws are available.

Article	Variants	Size	Customization
QDA 1584	QDA 1584 with hollow Aluminium panels QDAI with integrated detachment protection QDV with non-reflecting Acryl, variable caption inlays supported	QDA 1584 15 height in cm 84 width in cm (The article numbers indicate merely rounded measures.)	Interior-lit ceiling mounted signposts supporting LED illumination and punched out captions are available. Double side labeling is possible.

Overviews wall mounted QUAM

Module combinations of permanently labeled metal panels and self-labeled modules.

Σ quintessenz



The 100% graphically usable format areas of the exchange modules were awarded with numerous innovation and design prizes including The Design Award of the Federal Republic of Germany „Bundesdesignpreis“.



Designpreis der Bundesrepublik Deutschland 2002

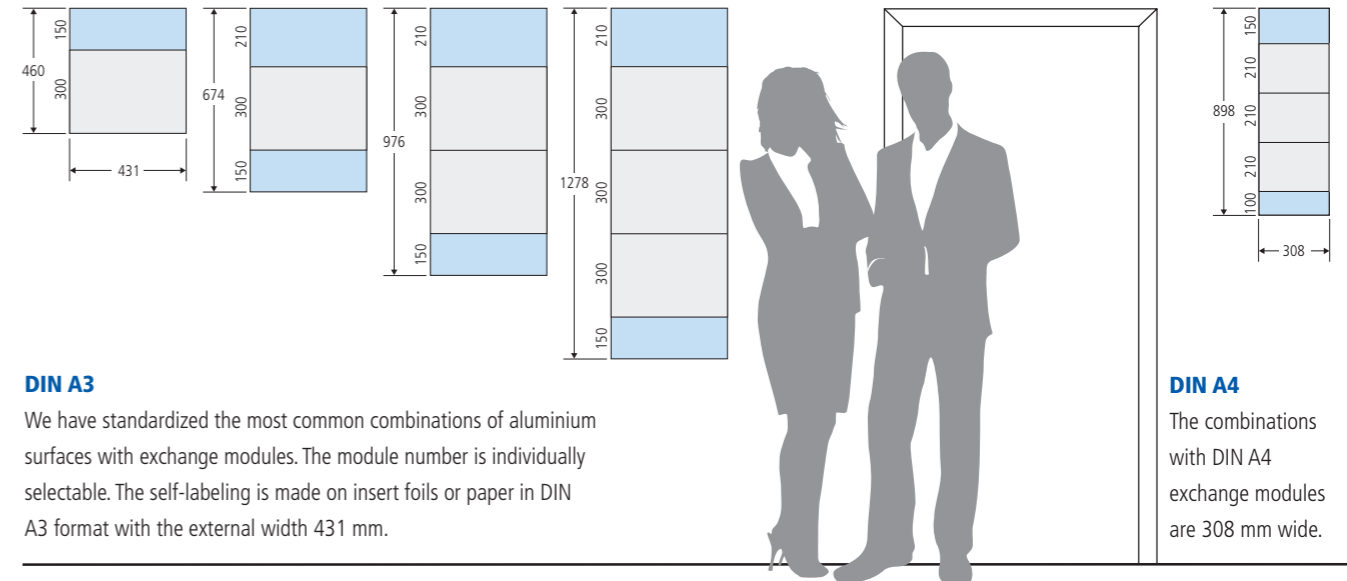
01.2021 ■ © ■ www.meng.de

Overviews wall mounted QUAM

The DIN formats in the modular system for self-labeling obtain the actuality and the flexibility

meng
signsystems

Σ quintessenz



DIN A3

We have standardized the most common combinations of aluminium surfaces with exchange modules. The module number is individually selectable. The self-labeling is made on insert foils or paper in DIN A3 format with the external width 431 mm.

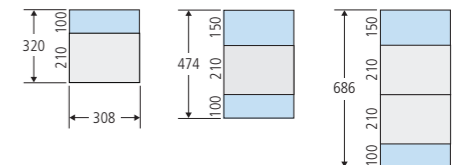
DIN A4

The combinations with DIN A4 exchange modules are 308 mm wide.

Cross-references to similar products:

QUA Quintessenz Overviews Aluminium

Same profile construction 22 mm, but with metal surfaces only (without exchange modules)



QUM Quintessenz Overviews Modules

Same profile construction 22 mm, but only equipped with modules. For special dimensions, the standard dimensions of the modules must be used as a grid. These two types of construction are only carried out as article groups without dimensions with the replacment „X“ for individual custom work; there are no fixed item numbers.

QWV Quintessenz Wall-Signs Variable

Depth 20 mm for continuous plexiglass cover plates which are held all around in aluminum profiles (no individual modules possible). Poster applications and other continuous inserts.

QVM Quintessenz Variable Information Modules

The patented exchange modules, with a depth of 16 mm, are available individually under this group of articles.

With the QUAM design

Metal panels and changing modules can be combined into functional units. The cover plates of the exchange modules are frameless after a patented technique. Despite the high functionality with which all information surfaces are held individually, without visible fixings, the low depth of only 22 mm is also suitable for flush-mounted wall mounting.

Article	Standard	Options	Customization
QUAM	QUAM stand for Quintessenz Overviews Aluminium with exchange modules.	All combinations shown above are standardized.	Special sizes
		For very large panels, modular walls can also be combined individually.	(150, 210, 300, 420, 600 bis max. 840 mm) can only be used with the use of the DIN edge dimensions. In addition, there is 280 for the US letter format.

Signpost wall mounted QW

Special mounting techniques allow for planar design without any visible screws.

Σ quintessenz



quintessenz wall mounted signposts consist of a completely justified metal body and a permanently labelled plain.

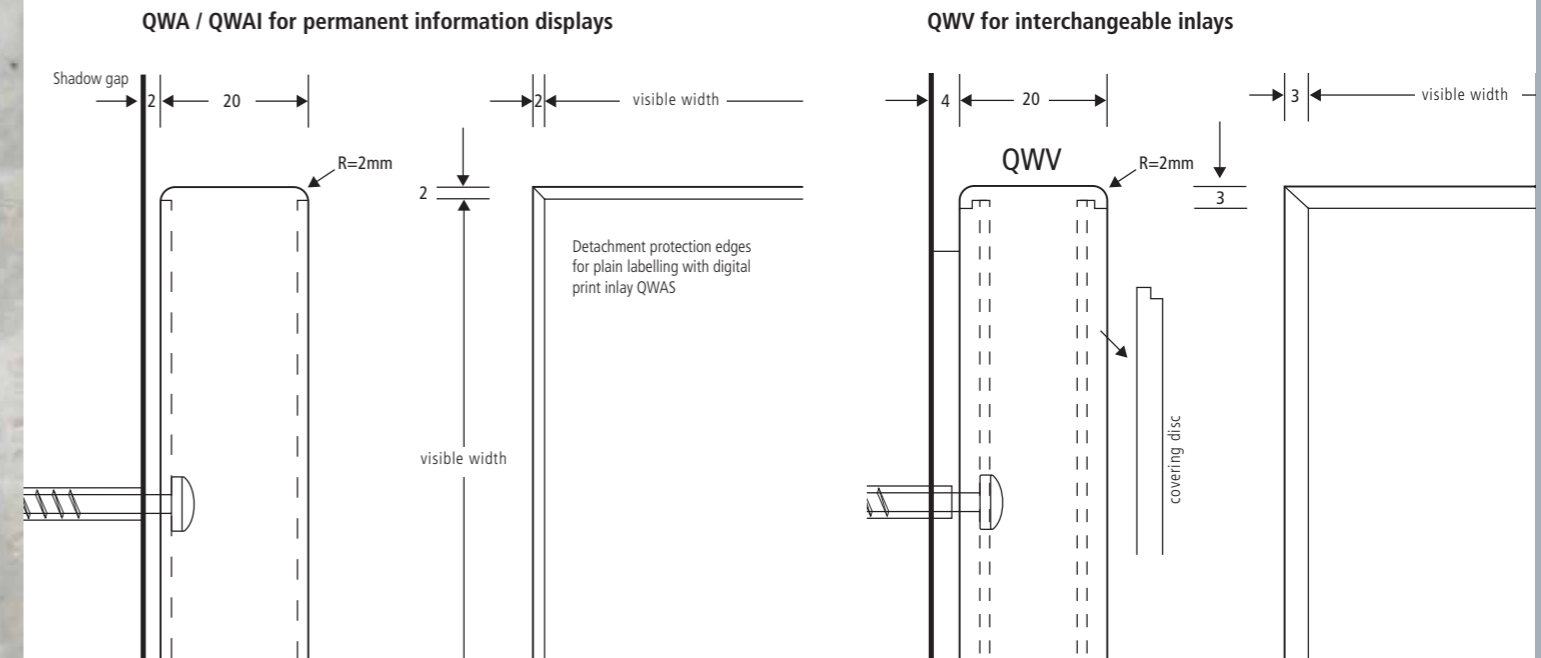
09/2019 © www.meng.de

Signpost wall mounted QW

All elements of the quintessenz series strictly follow the design principle of maximal consistency.

meng
signsystems

Σ quintessenz



mm	210	300	420	600	840	1190
150	QW.. 1521	...1530	...1542	QW.. 1560		
210	QW.. 2130	...2142	QW.. 2160	QW.. 2184		QW.. 2119
300	QW.. 3030	...3042	QW.. 3060	QW.. 3084		
420	QW.. 4230	...4242	QW.. 4260	QW.. 4284		
600		QW.. 6042	QW.. 6060	QW.. 6084		
840						

■ Standard sizes

Standart sizes

Our production site supports automated programmes for the given standart sizes.

Individual sizes

for QWA and QWAI are supported up to a maximum of 1.490 x 2.990 mm. The different designs are applicable both vertically and horizontally. QWA and QWI are also suitable for exterior application. Therefore, they dispose of hidden magnetic locks against unauthorized removal wich can be ordered seperately.

The QWV model

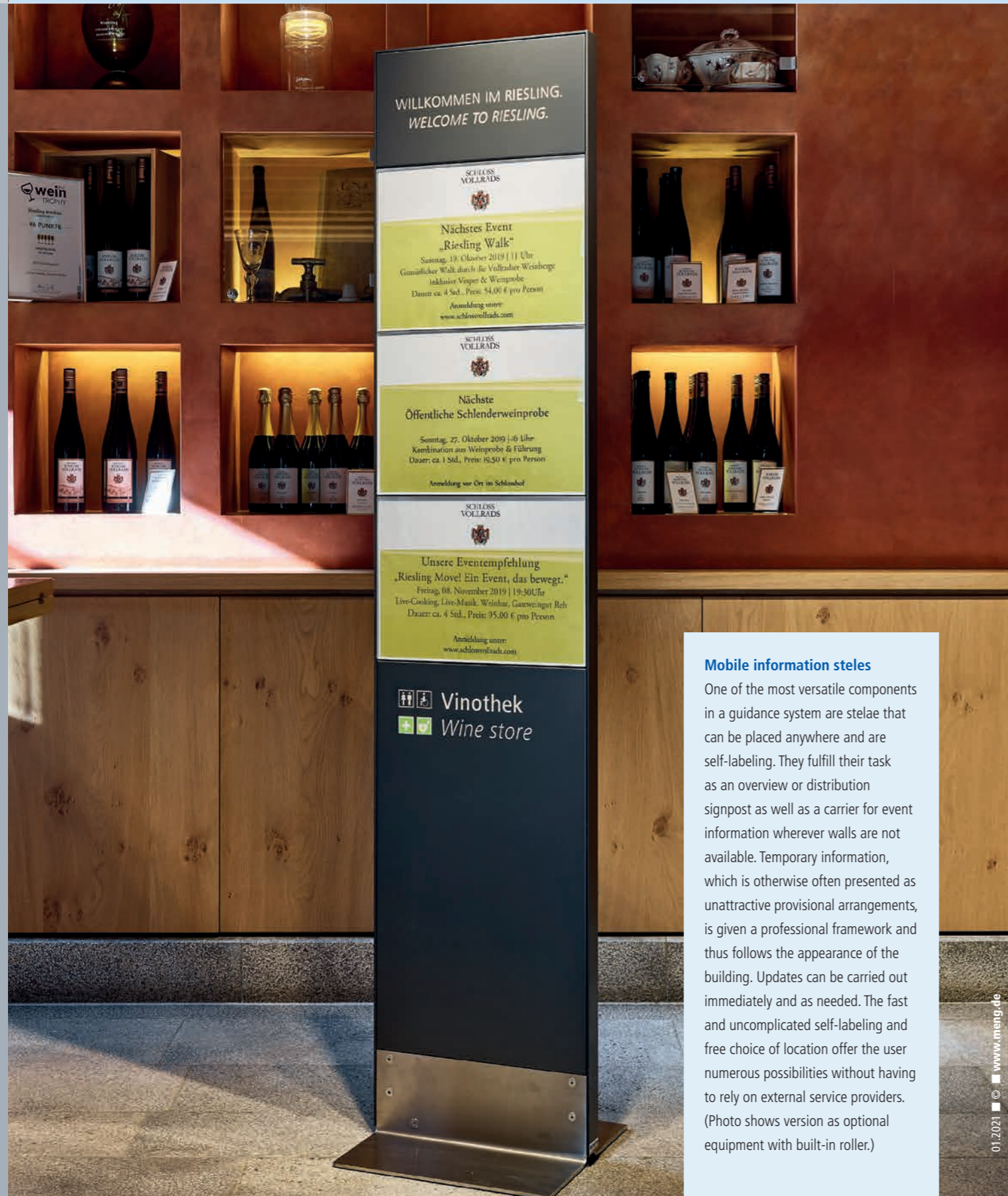
supporting customizable labelling up to 600 x 840 mm is suitable for interior application only.

Article	Variants	Size
QWA 3042	QWA with 2 mm aluminium plains	30 Height in cm
QW quintessenz Wall-mounted sign	QWAI with integrated detachment protection	42 Width in cm
	QWV non-reflection acryl, supports variable caption inlays	
	QWE with plains made of stainless steel	

Overview freestanding QM

Unsurpassed flexibility through free choice of location.

Σ quintessenz



Mobile information steles

One of the most versatile components in a guidance system are stelae that can be placed anywhere and are self-labeling. They fulfill their task as an overview or distribution signpost as well as a carrier for event information wherever walls are not available. Temporary information, which is otherwise often presented as unattractive provisional arrangements, is given a professional framework and thus follows the appearance of the building. Updates can be carried out immediately and as needed. The fast and uncomplicated self-labeling and free choice of location offer the user numerous possibilities without having to rely on external service providers. (Photo shows version as optional equipment with built-in roller.)

01.2021 © www.meng.de

Overview freestanding QM

Individual and uncomplicated self labeling.

meng
signsystems

Σ quintessenz

Type of construction

The most frequently used model has a height of 2,000 mm and a width of 420 mm (total width 434 mm). It is equipped with three DIN A3 interchangeable modules on the front side, the other surfaces on the front and back side are closed with metal panels flush with the surface. The header panel above the modules can be labeled with a logo or pictogram.

Side view

The slim design is made possible by a system profile that is only 48 mm narrow, has minimal edges of 4 mm and is anodized silver as standard.

Self labeling

As an alternative to A3 paper, we offer semi-transparent films that allow light- and moisture-resistant prints with longer durability.

Variants

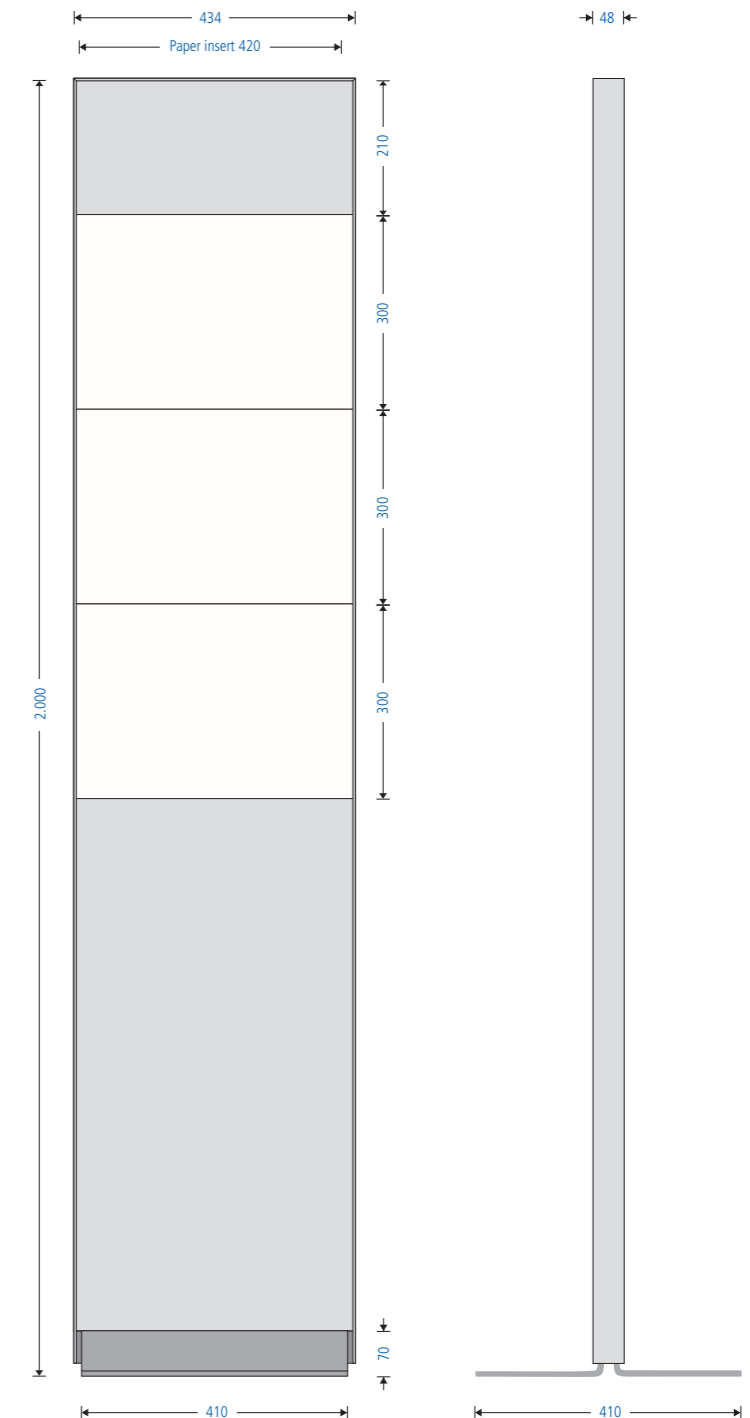
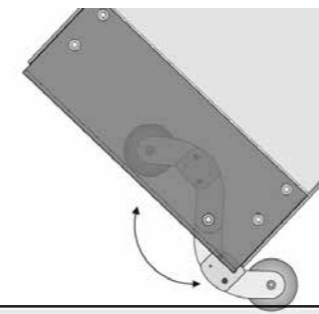
In addition to the standard Joker, other heights, widths and double-sided use with interchangeable modules are also possible.

Foot

Two L-shaped angled steel plates with 6 mm thickness provide stability. Surface and edges of the stainless steel version are finely brushed. A felt sole on the underside avoids scratches on sensitive floors.

Swing out roller

An optional swing-out castor hidden in the base element serves as a perfect transport aid. When folded out, the Joker can be easily rolled away.



Article description	Surface material	Size	Foot plate
QMA 20042 FS	QMA 20042 FS	QMA 20042 FS	QMA 20042 FS
QM quintessenz mobile info column	QMV Equipped with variable interchangeable modules QMA Both sides equipped with continuous aluminum panels (see data sheet)	200 Height in cm 42 Width in cm	FS Base plate steel powder coated (without letters) Stainless steel base plate

Flag sign QF

For immediate location of important spots in vast building complexes.

Σ quintessenz

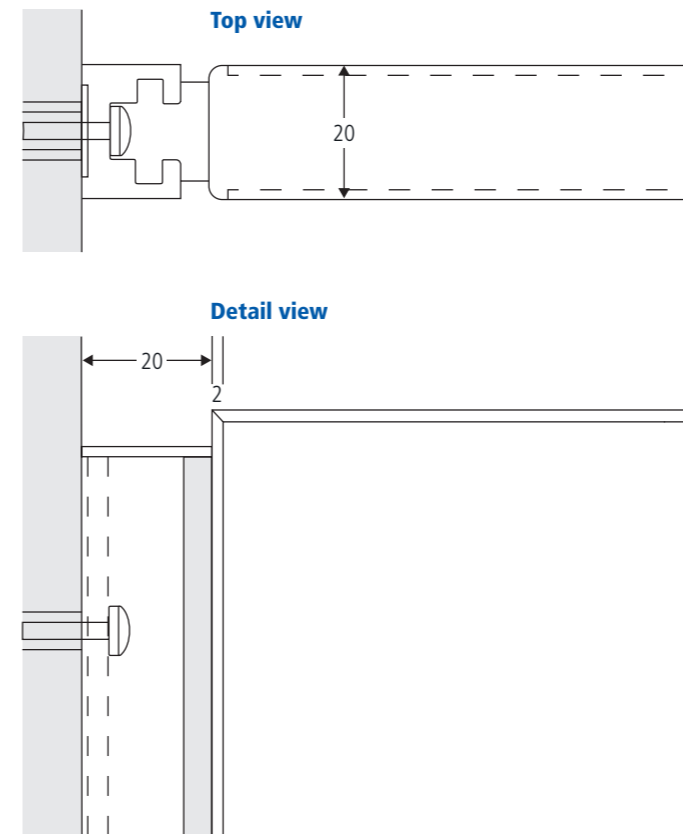


Flag signs are wall mounted elements that can be used on both sides. They allow elevators, staircases, toilets and registrations to be found quickly, especially in corridors or long buildings.

Flag sign QF

Mounting stability without visible screws and wall flanges.

Σ quintessenz



quintessenz flag signs can always be written on both sides. They can be mounted as wall or directly attached ceiling flags. Production programs are stored for the standard dimensions. Individual dimensions are possible: long, narrow cantilevers are, however, subject to great leverage; they

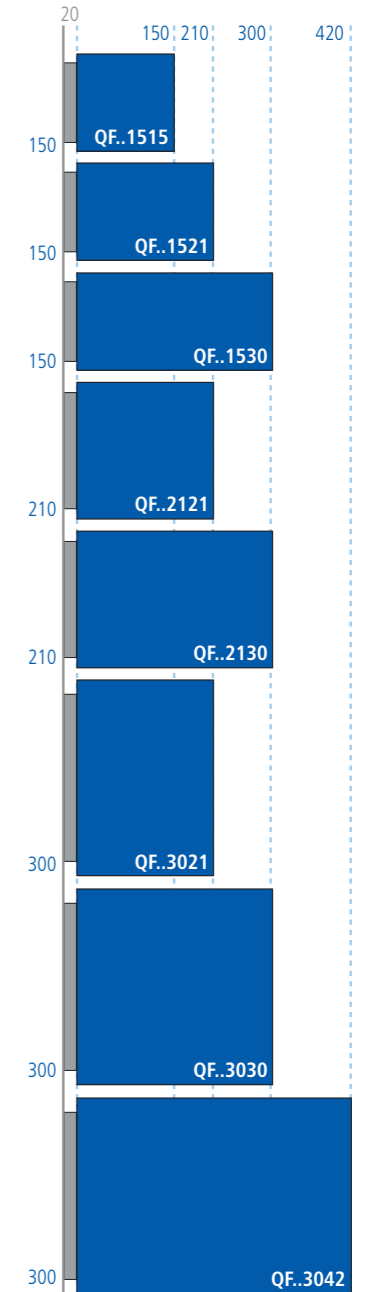
should be avoided for reasons of stability, especially on lightweight walls.

Outdoor applications must be designed on request due to wind forces and for larger designs with internal frames.

Also possible as direct ceiling mounting



Standard sizes Specifications in mm

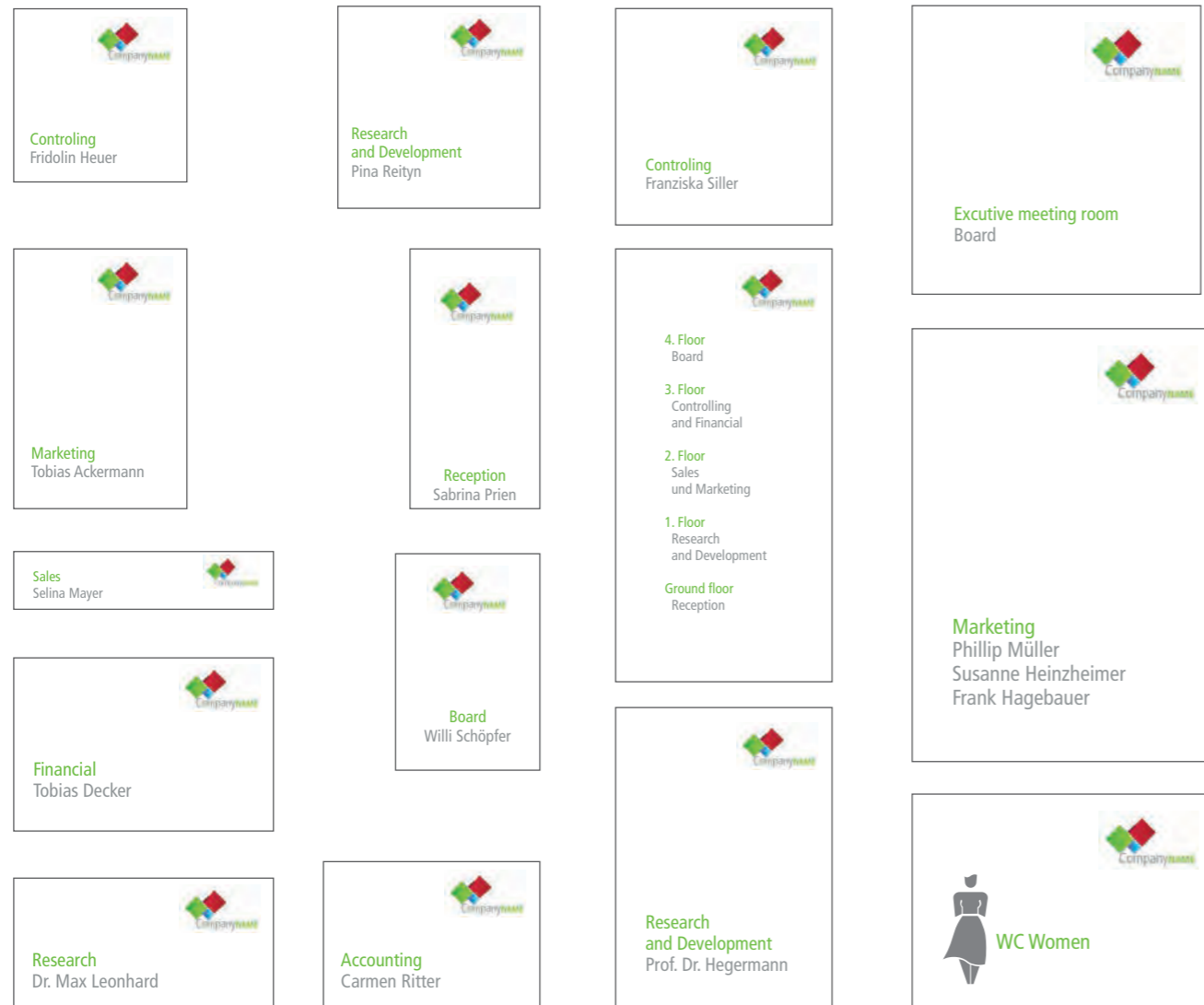


Article designations	Variants	Size
QFA 1530	QFA 1530	15 Height in cm
QF stands for quintessenz Flag sign	QFA Aluminium hollow panels with painted or anodized surfaces	30 Width in cm
	QFAI with integrated anti-buckling protection	(The dimensions in the article numbers only indicate rounded dimensions of the visible surfaces)
	QFV variable by changing the text inserts (anti-reflex acrylic)	
	QFE with visible surface of brushed stainless steel	

Doorplates stainless steel, format overview

Fully changeable surfaces –
visibility 100%.

Σ quintessenz



With the extremely low depth of only 5 millimeters, the **quintessenz** door signs can be glued flat, as well as mounted with a distance or integrated flush into walls and doors.

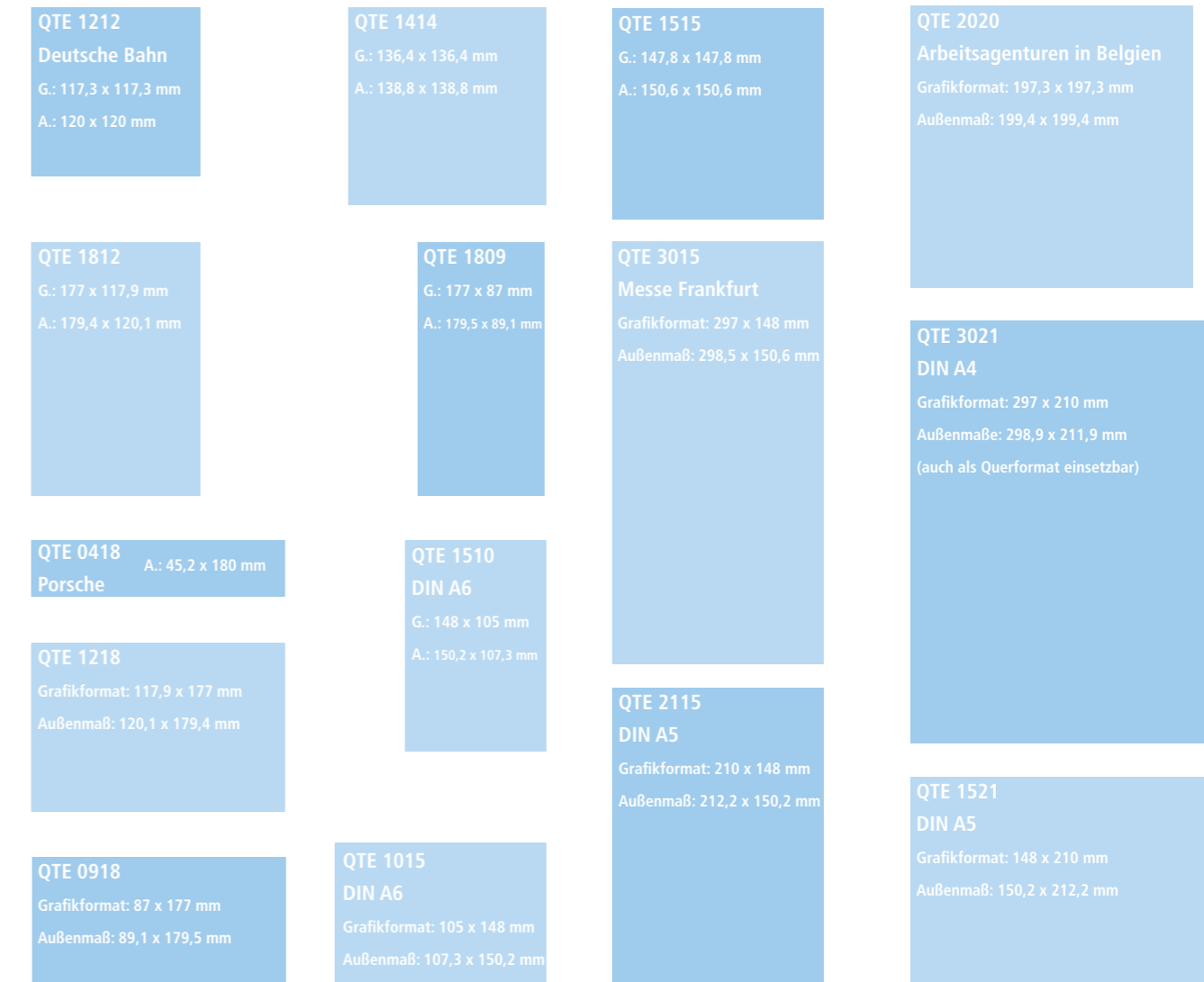
Doorplates stainless steel, format overview

With the unique format diversity
and functional safety.

meng
signsystems

Σ quintessenz

Squares and rectangle formats



Article numbers

The article numbers consist of the letter symbol for the product line, the numerical code for the approximate dimension in centimeters and an end code for possible variants.

Measures

The measures of the door signs are fixed due to production specifications. For customer-specific formats, extra tooling-costs are required, which may only be necessary at higher unit numbers. For larger measures, the **quintessenz** changeable modules are available.

Article	Type of attachment	Size	Variant	Customization
QTE 1515	QTE.. 1515	QTE 1515	QTE 1515 G	
QTE quintessenz door sign stainless steel	.. (without letters) for dowel mounting K adhesive mounting (QTEK 1515) P a plaster frame for flush wall installation (QTEP 1515)	15 height in cm 15 width in cm	G Acrylic glass look disc, 6 mm, with a slight green tone	Individual surface materials are also possible.

The formats 1414 and 1809 are also available as plastic version „QTS“.

Door signs stainless steel with head panel „QTEAK“ is listed on an extra data sheet.

Doorplate stainless steel QTE

Minimal stainless steel edges offer a limitless design basis.

Σ quintessenz



Frameless doorplates are the trend of a minimalist design. **quintessenz** is the original with the largest format selection and secure functionality.

Doorplate stainless steel QTE

Minimal stainless steel edges dowelled to the wall, glued to glass or integrated flush.

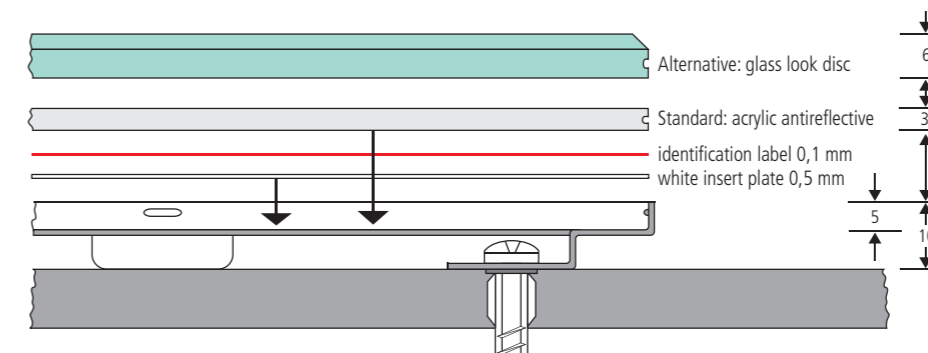
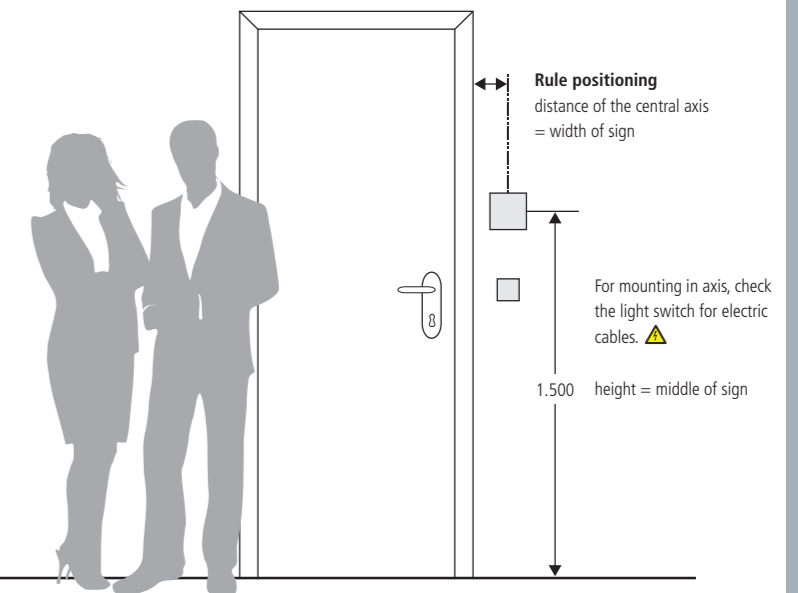
Σ quintessenz

transformation artist

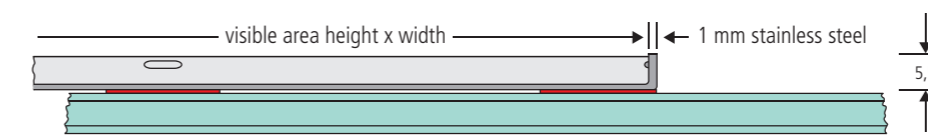
In addition to the variety of formats, various installation techniques are available for the **quintessenz** doorplates. Selected sizes can be supplied as QTEK for adhesive assemblies. For some, plasterkits for flush wall integration are also available in advance.

Ergonomic mounting

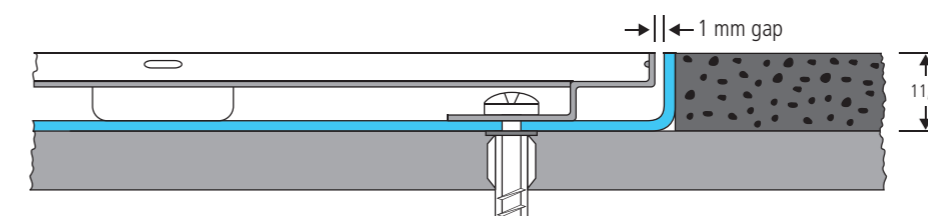
The mounting heights and the desired distances to doors are usually specified by the architect. If no specification is made by the customer, we recommend the rule positioning. In any case, however, on-site flush should also be included in the decision.



QTE for dowel mounting
Standard fixing on walls with 5 mm shadow gap.



QTEK for adhesive mounting
on glass and smooth, solid surfaces without shadow gap. Visible backs can be covered with laminating films.



QTEP for flush surface mounting
in pre-delivered plasterkits. QTE door signs can also be flush-mounted in doors.

Article	Type of attachment	Size	Variant	Customization
QTE quintessenz door sign stainless steel	.. (without letters) for dowel mounting K adhesive mounting (QTEK 1515) P a plaster frame for flush wall installation (QTEP 1515)	15 height in cm 15 width in cm	G Acrylic glass look disc, 6 mm, with a slight green tone	Individual surface materials are also possible.

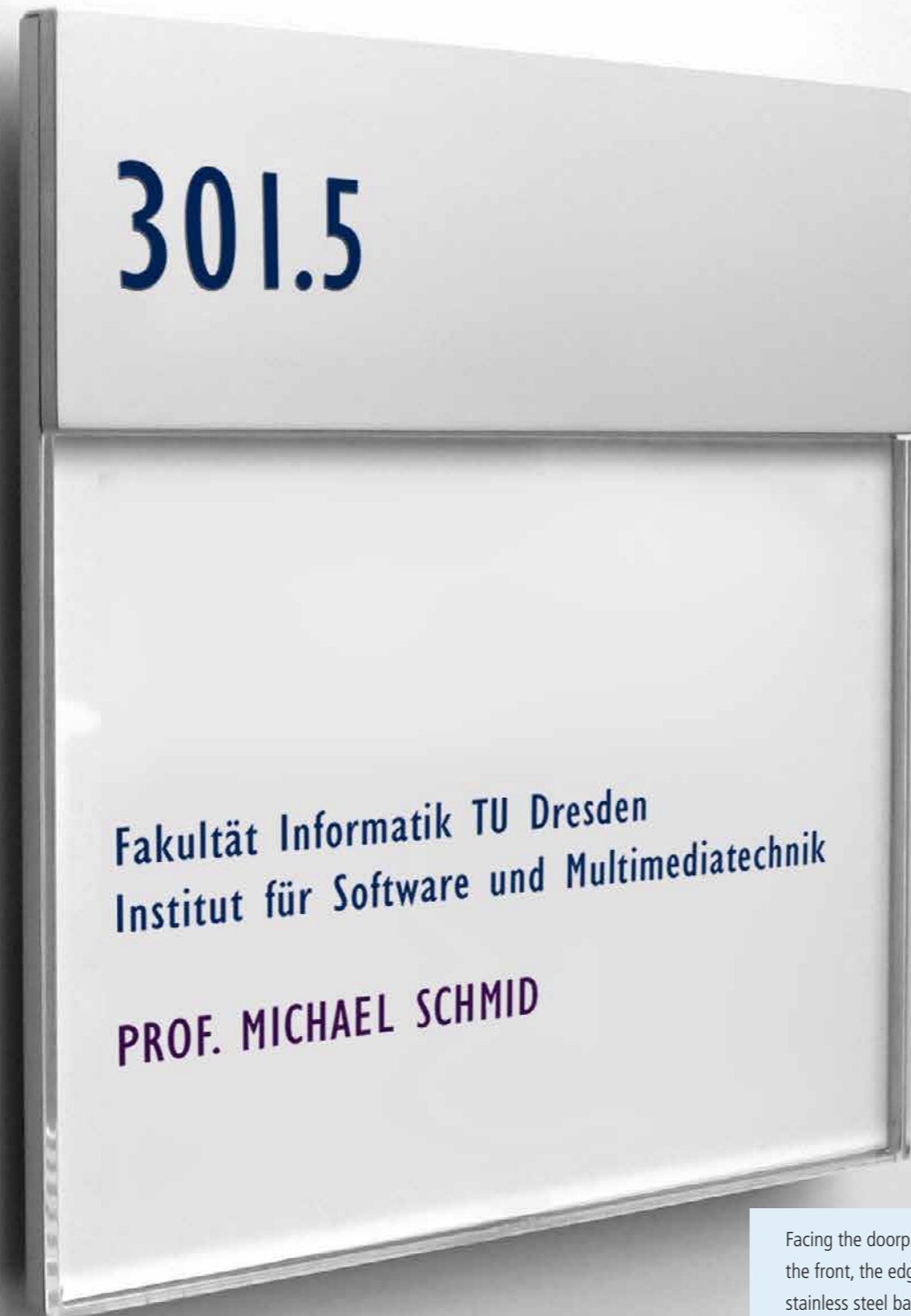
The formats 1414 and 1809 are also available as plastic version „QTS“.

Door signs stainless steel with head panel „QTEAK“ is listed on an extra data sheet.

Doorplate with head panel QTEAK

This model of the quintessenz - doorplate appears absolutely monolithic.

Σ quintessenz



Facing the doorplate from the front, the edges of the stainless steel base are fully covered and the visible diamond polished edges of the acrylic cover give a sharp square look.

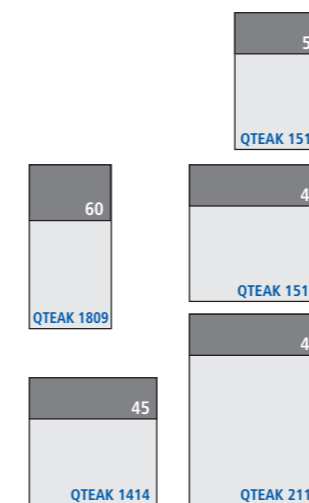
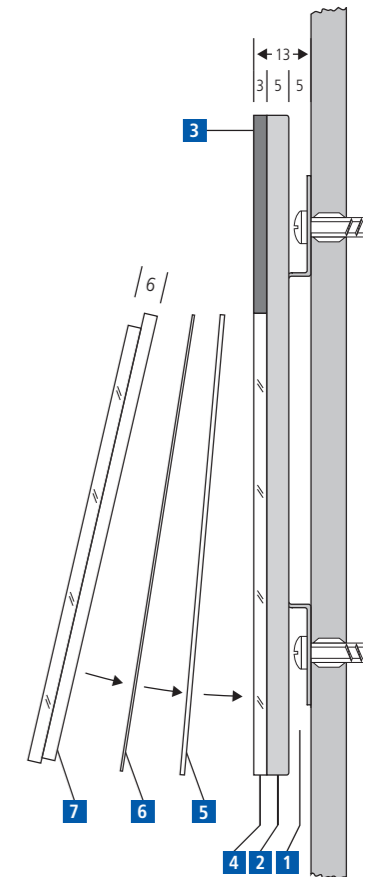
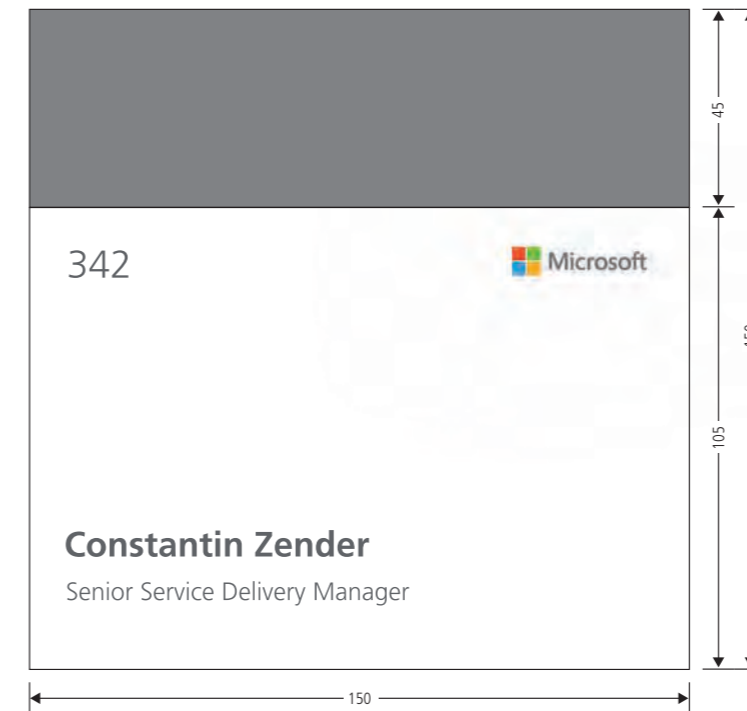
04.2019 © design and model copyright protected ■ www.meng.de

Doorplate with head panel QTEAK

The clip-function hidden behind the metal plate leaves no trace of the revision method.

Σ quintessenz

meng
Richtung weisend.



- 1 The distance of 5 mm to the wall, creates a light and elegant visual appearance. With the offset mounting strap on the backside the sign can be easily mounted with screws or adhesive tape.
- 2 The body with a visible edge of only 5 mm brushed stainless steel appears very slim and significant.
- 3 The surface is partitioned in a metal surface for permanent caption such as room numbers and tactile lettering.
- 4 The clear part is removable to change individual labeled vinyl or paper inlets.

- 5 The white plastic inserts are used as coversheets to hide the mounting and to create a neutral background for printed inlets that are transparent or semi-transparent.
- 6 Beside the use of common paper inlets we offer a pre-cut paper which can be used with any laser jet printer. We also offer WINDOWS – WORD based templates.
- 7 The clear coversheet can be easily removed by using the small suction cup (provided). Someone who knows how it works, will be able to revise without this tool...

QTEAK	h x w
QTEAK 21 15	210 x 150
QTEAK 15 10	150 x 100
QTEAK 14 14	140 x 140
QTEAK 15 15	150 x 150
QTEAK 09 18	90 x 180
product code	millimeter

Interchangeable module QVM

Interchangeable lettering – The frameless interchangeable modules provide 100% graphic.

Σ quintessenz



100% Graphic

The only interchangeable module in all DIN formats for self-labeling and safe replacement. The thermally induced expansion of the pane is compensated with spring-loaded stainless steel edges. This innovation has received numerous awards, including the German Federal Design Prize. The frameless design makes the **quintessenz** principle a role model in the signage industry to this day.

Designpreis der Bundesrepublik Deutschland 2002

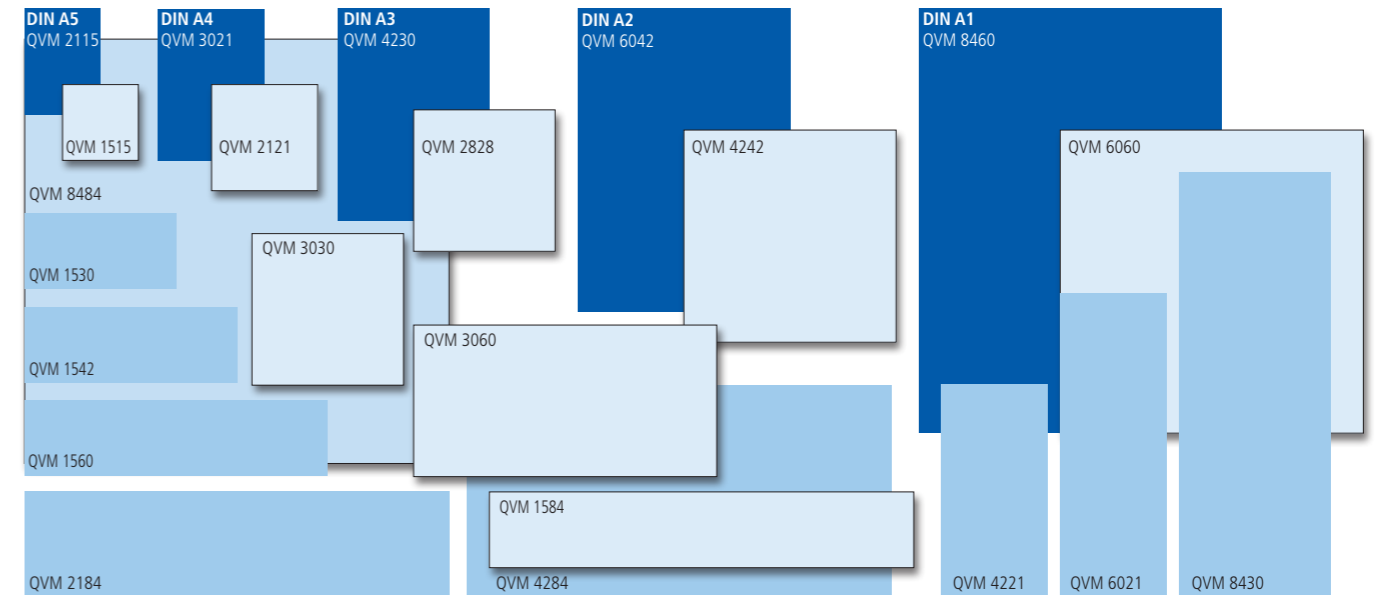
12.2020 © Europäisches Patent 1 152 385 ■ www.meng.de

Interchangeable module QVM

The spring-loaded protective edges made of stainless steel are patented.

meng
signsystems

Σ quintessenz



In addition to individual mounting directly on a wall, the modules can be combined to form freely designable modular overviews. They can be used in both landscape and as well as portrait format.

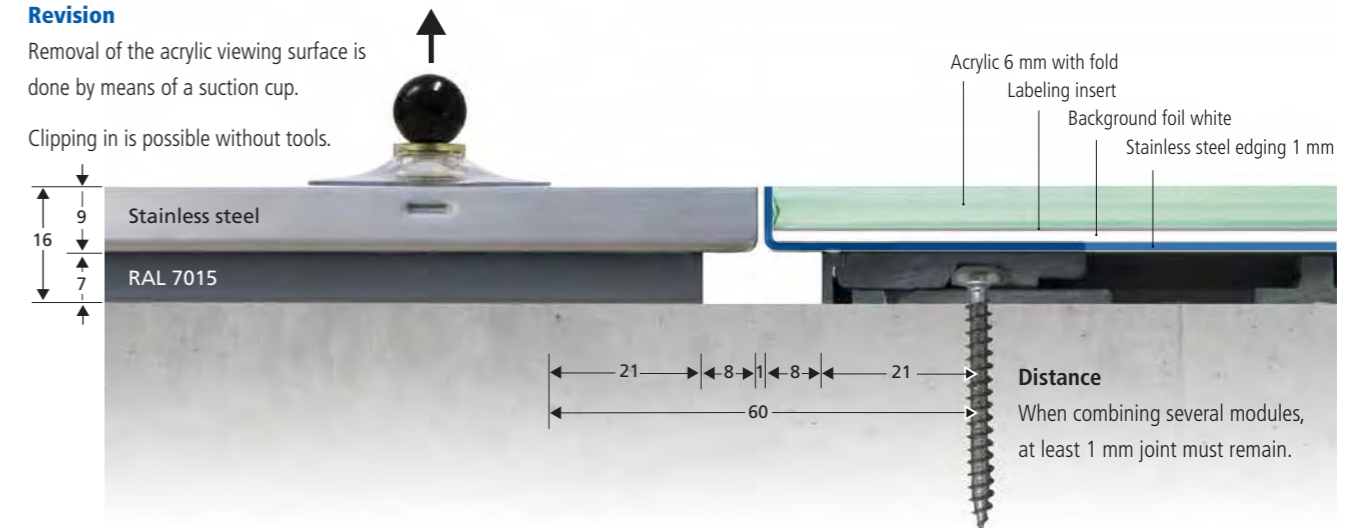
In combination with fixed metal and glass surfaces, the modules are also integrated into mobile stelae and large wall elements.

Larger formats and individual edge lengths are possible with the QVM design. It has aluminum protective edges with a depth of 20 mm.

Revision

Removal of the acrylic viewing surface is done by means of a suction cup.

Clipping in is possible without tools.



Article description	Size	Variants	Customized
QVM 4230 stands for quintessenz Variable Module	42 Height in cm 30 Width in cm The standard dimensions refer to the paper formats. The outer dimensions of the modules are 4 mm larger.	DIN formats and squares In addition to the DIN formats, all edge dimensions can also be combined to form square modules, e.g. 280 x 280 mm. The possible edges are 150, 210, 280, 300, 420, 600 and 840 mm long.	Special dimensions that deviate from the existing edge lengths are not possible due to the tooling. Screw mounting is standard. Adhesive mounting QVMK possible on request. The modules are only conditionally suitable for use in free weathering.

Flat show case QVF

Lockable, protected notice boards are part of the organizational duties at every facility.

Σ quintessenz



The hinges of the glass sash and also the locking mechanism are hidden behind the metal front panels. The security lock is embedded in the lower right corner in such a way that the viewer does not notice it visually.

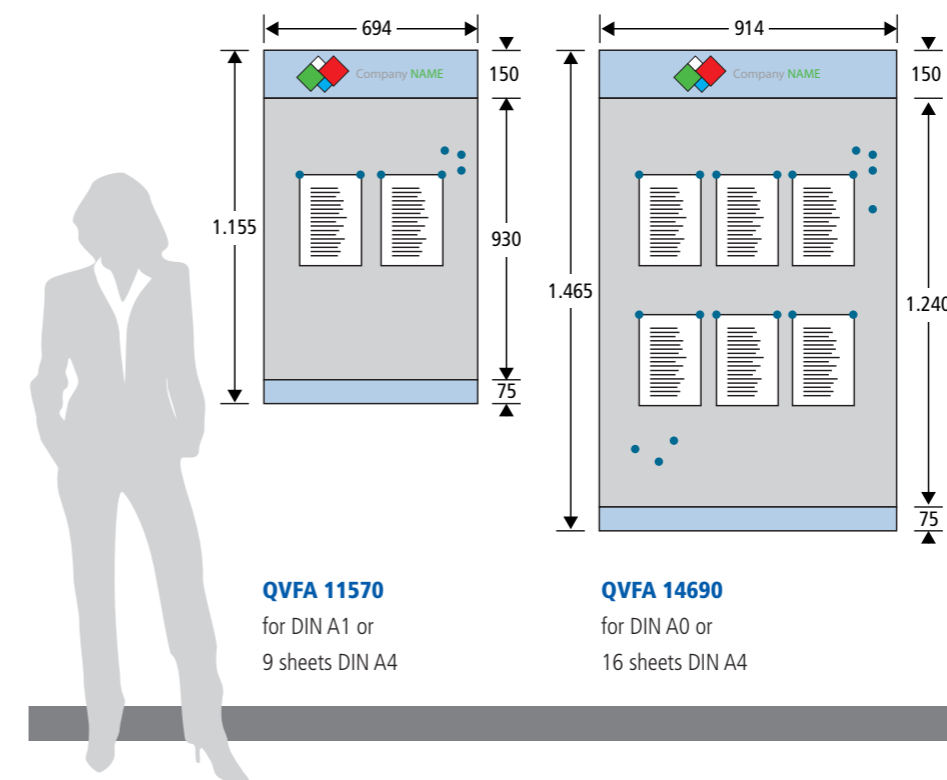
Flat show case QVF

A continuous frameless signage system also includes poster display cases with minimal edges.

Σ quintessenz

In most cases, changeable modules and bulletin boards are the most appropriate elements for posting notices and announcements. For internal job postings, mandatory information or in cases where notices need to be changed constantly, a lockable display case may be necessary. There are numerous makes on the

market, which usually have a stout frame and corresponding, less elegant construction thicknesses. The solution within the **quintessenz** system naturally claims to fit the system reduced to the essentials, although hinges, locks and other mechanical components must be „hidden“. For this reason, **quintessenz** flat display cases are always equipped with a fixed, inscribable head and foot panel. The door leaves are hinged on the left, while the lock is integrated on the right.



QVFA 11570
for DIN A1 or
9 sheets DIN A4

QVFA 14690
for DIN A0 or
16 sheets DIN A4

Dimensions

The two system widths 600 and 900 mm are standardized. The total heights are between 1,140 and 1,440 mm, with the head panel requiring min. 150 mm and the bottom closure panel min. 75 mm. The construction thickness is 48 mm, the additional wall distance is usually 4 mm.

Type of construction

A transparent pane of 5 mm thick ESG glass is only set at the top and bottom, the vertical, free edges are ground. Interiorly, a closed, white magnetic plate is embedded. Information and posters can be fixed on it with magnets. A steel perforated plate for optional use of magnets or pins is also available. The flat display cases are lockable with cylinder locks on the lower edge, outside the visible surface. The sides are smoothly closed. This makes it possible to mount several showcases directly next to each other.

Article description	Panel material	Size	Customized
QVFA 11570	QVFA 11570	QVFA 11570	
QVF quintessenz variable flat display case	A Aluminum surface E Stainless steel surfaces, ground	115 Height in cm 70 Width in cm	Edge profiles and panel surfaces are silver anodized. Color design is also possible.



- to the table of content
- to **rohr+fläche**
- to **quintessenz** | Part 1 | Part 2 |
- to **primavetro**

- to **ceform**
- to **transparenz**
- to **optimal**
- to the consultant on site



Overview exterior pillars SA



Exterior pillars SA



Overview freestanding SM



Overview freestanding SM variable



Doorplate aluminium STA



Doorplate with folding spring STF



Desk sign SVT

Overview exterior pillars SA

Convex pillars for a significant wayfinding.

Overview exterior pillars SA

Convex pillars with interchangeable surfaces on both sides surfaces for individual design.

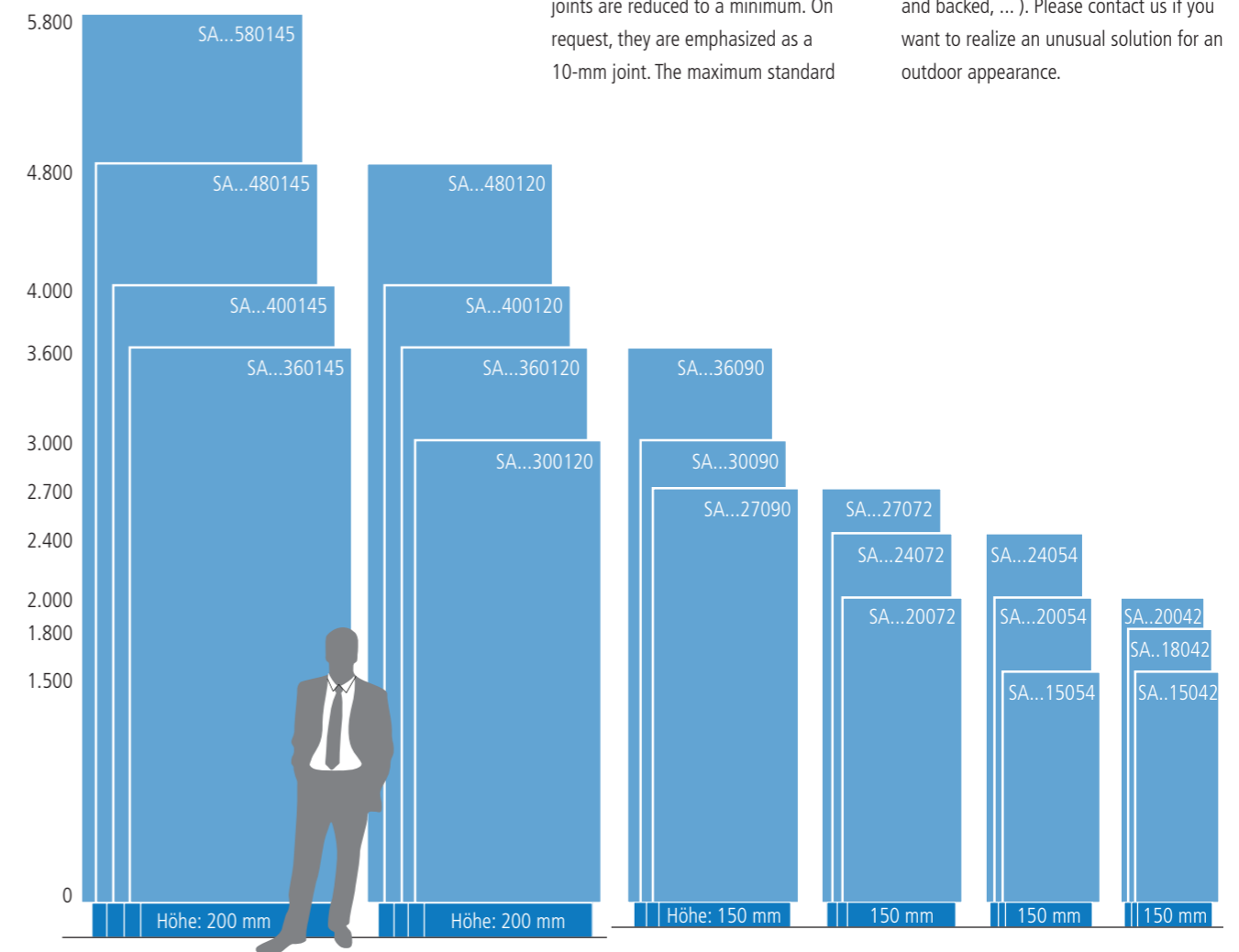


The convex pillars in the outdoor area are among the most striking elements in **system sieben**. The visible surfaces of the columns can be freely designed and are thus ideally suited for visualizing a company's corporate design.

The exterior signs consist of the system profiles and curved surfaces stretched between them. The base is made of stainless steel sheet (grain 220, cross-ground) as standard; a base made of square-hole sheet (stainless steel) is also available at an extra charge. The signs have an internal stiffener made of

galvanized steel and a top cover. Metal faces must be subdivided from a height of 2,000 mm. Signs with metal surfaces are possible up to a height of 6 meters. The maximum height of individual metal panels is 2 meters. The required material joints are reduced to a minimum. On request, they are emphasized as a 10-mm joint. The maximum standard

width of the visible surface is limited to 1,450 mm for material reasons. However, wider elements are possible as made-to-measure products. The lettering is done by foil text, as a special production further variations are possible (decoupled and backed, ...). Please contact us if you want to realize an unusual solution for an outdoor appearance.



Important:

Actual viewing height is equal to height plus base (200 mm or 150 mm). The installation depth is another 150 mm between the foundation and the floor surface.

SAE 24054 S	SAE 24054 S	SAE 24054 S	SAE 24054 S
SA stands for the system sieben outer shield	SAA Aluminum, painted SAE stainless steel, ground SAAB Alu painted, decoupled texts, internally illuminated SAEB stainless steel, decoupled texts, internally illuminated	240 Height in cm 54 Width in cm	S Silver anodized L Lacquered
Article description	Construction, surface material	Size	Color system profiles

Exterior pillars SA

Convex pillars for a significant wayfinding.

Exterior pillars SA

Convex pillars with interchangeable surfaces on both sides surfaces for individual design.

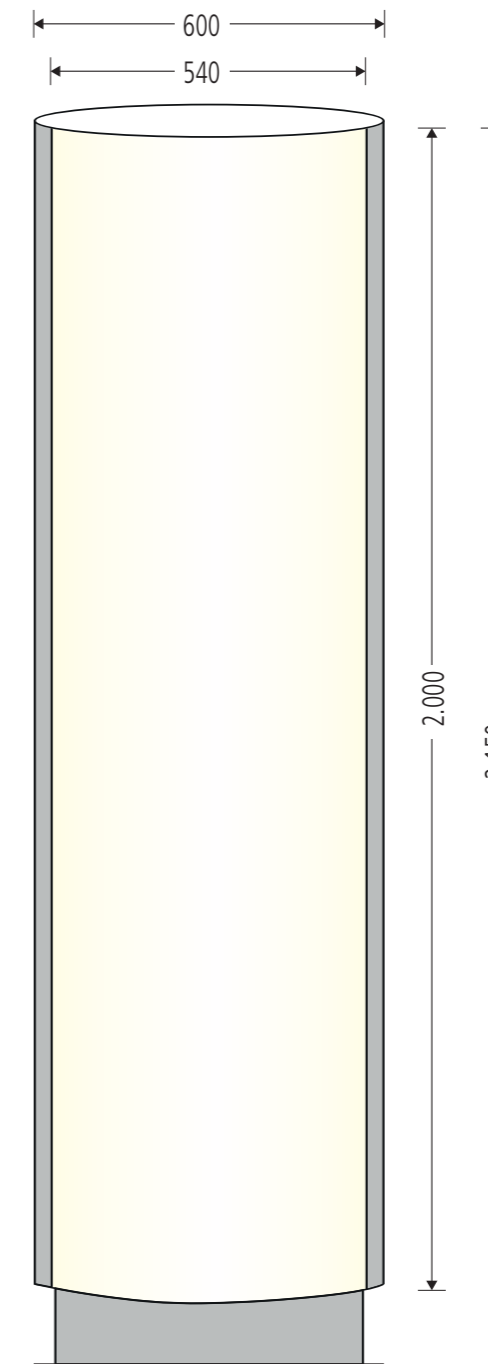


The convex pillars in the outdoor area are among the most striking elements in **system sieben**. The visible surfaces of the columns can be freely designed and are thus ideally suited for visualizing a company's corporate design.

Outdoor signs have a particularly important function, as they are responsible for the first impression they convey to visitors, customers, suppliers and employees the self-image and competence of a company or institution, in addition, of course, they should show the right way. The slender columns from **system sieben** harmonize equally well with the exterior design of both modern and historical buildings. The elements can be equipped in a wide range of possibilities. The stretched surfaces are permanently labeled in screen printing or with adhesive text, floor spotlights put the information in the right light. Other interesting effects can be achieved with internally illuminated elements or with decouped and laid-out lettering. However, a slender proportion should always be maintained, with the height reaching at least three times the width dimension.

Important:

For internally illuminated columns, there are partly limited dimensions and illumination areas due to the internal construction. Please coordinate this with us during the design phase.



Outdoor signs

High-quality equipment, durable. Connecting parts made of stainless steel, an internal, stable bracing made of galvanized steel profiles and the base part made of stainless steel sheet (as an optional extra also stainless steel square perforated sheet) are standard. The sizes up to 900 mm visible width and 3,000 mm height form a wind load-stable group that can be used without further static proof.

Mounting

The small and medium-sized signs are bolted to the foundations with heavy-duty anchors. For large signs, anchor baskets can be supplied at an early stage, which are cast into the foundations on site. Acrylic surfaces can be up to 3,000 mm high and are not subdivided.

Lighting

For internally illuminated signs, the supply cable is inserted from below. The cable (3 x 2.5 mm) must be available at least 1 m beyond the foundation. For revision purposes, illuminated columns are equipped with doors or with removable surfaces.

Ground recessed spotlight

for slim columns



SAOB 20054 S	SAOB 20054 S	SAOB 20054 S	SAOB 20054 S
SA stands for the system sieben outer shield	SAOB Acrylic, white, opaque, internally illuminated	200 Height in cm	S Silver anodized
		54 Width in cm	L Lacquered
Article description	Construction, surface material	Size	Color system profiles

Overview freestanding SM

Freestanding stele, which can be easily and quickly moved to the desired location at any time.

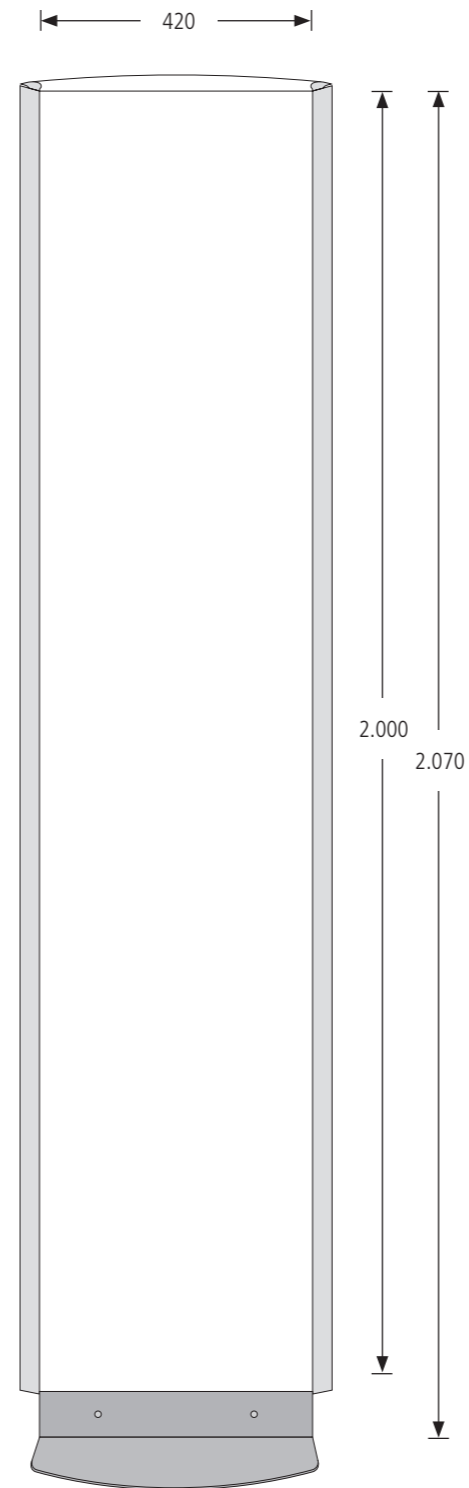
Overview freestanding SM

Can be used in any place without problems, even without a wall or ceiling.



Overview freestanding

One of the most versatile components in a signage system is a stele that can be placed anywhere. They fulfil their task as an overview or distribution signpost as well as a carrier for event information wherever there are no walls. Temporary information, which is otherwise often presented as unattractive provisional solutions, is given a professional framework.



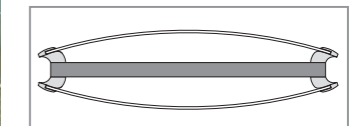
Overview panels do not always have to occupy large wall surfaces. In many cases, a free-standing information stele has a more discreet effect as a house overview and also takes on an object character.

In the entrance hall next to an information counter, a slender column leaves enough space; next to self-supporting staircases or on glass lifts, it fulfils the function of a floor overview. Integrated schematic floor plans can facilitate orientation.

Thanks to its versatility, the mobile info stele in **system sieben** is ideal for a house overview. The labelling with adhesive text allows the contents to be updated quickly and cost-effectively, while the continuous surfaces offer the advantage of free graphic design options. A modular design in which individual segments can be exchanged is also possible.



Draufsicht



Freestanding, mobile column

Due to the width of 420 mm, it is also possible to integrate interchangeable modules for DIN A3 sheets in landscape format (technical description in the Variable Information).

The base plate unit made of powder-coated steel forms a centre of gravity that gives the element stability. Soles made of semi-rigid plastic provide safe scratch protection. For sensitive, smooth floors, a felt covering can be ordered at no extra charge.

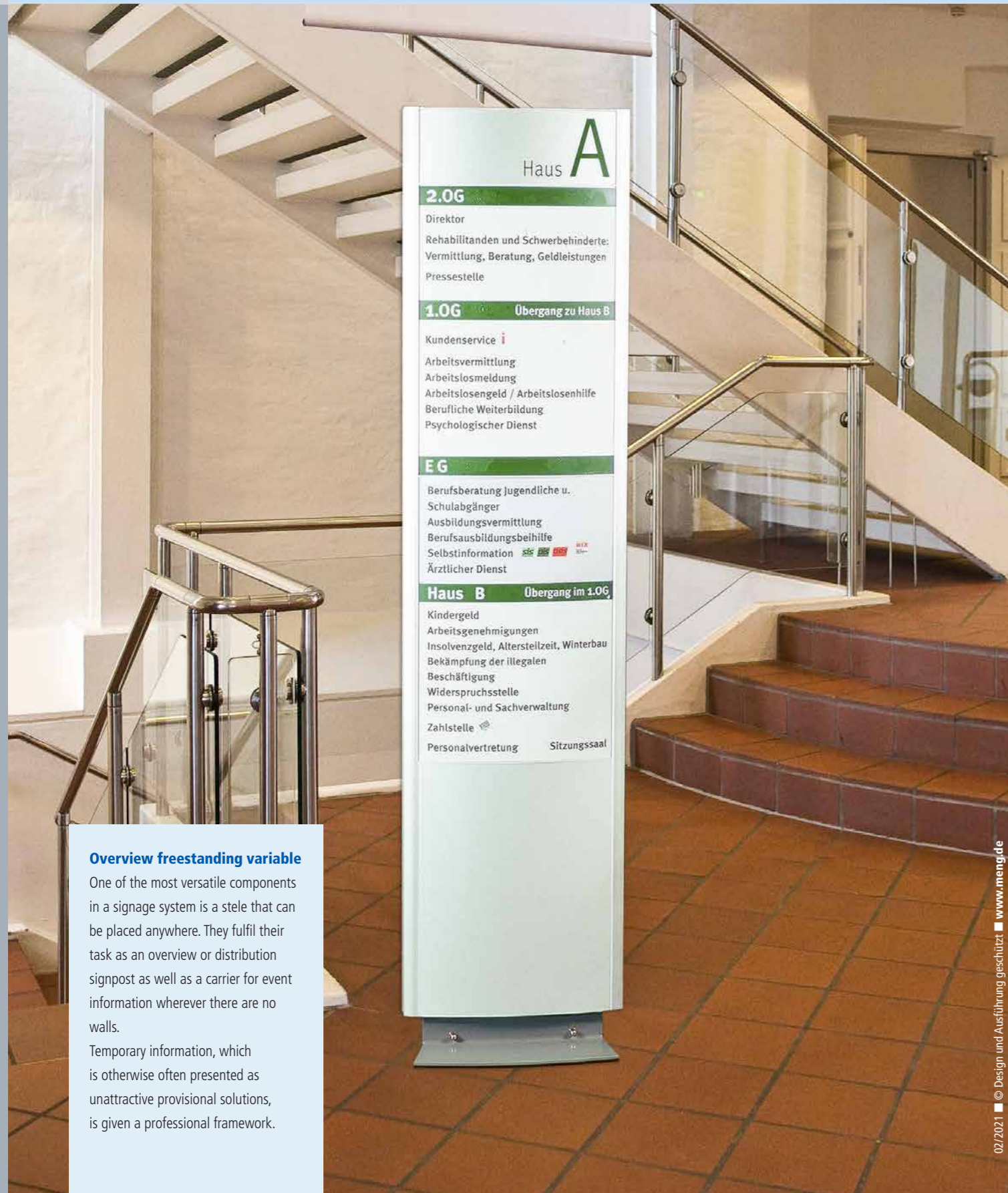
SMA 20042 L	SMA 20042 L	SMA 20042 L	SMA 20042 L
SM stands for system sieben mobile info stele	SMA Aluminium, lacquered SME Stainless steel, ground	200 Height in cm 42 Width in cm	S Silver anodized L Lacquered
Article description	Construction	Size	Color system profiles

Overview freestanding SMV variable

Freestanding stele, which can be easily and quickly moved to the desired location at any time.

Overview freestanding SMV variable

Can be used in any place without problems, even without a wall or ceiling.



Overview freestanding variable

One of the most versatile components in a signage system is a stele that can be placed anywhere. They fulfil their task as an overview or distribution signpost as well as a carrier for event information wherever there are no walls.

Temporary information, which is otherwise often presented as unattractive provisional solutions, is given a professional framework.

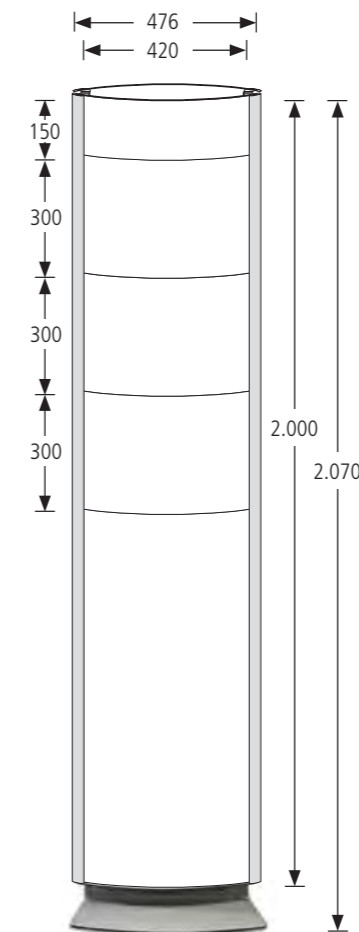
This mobile info stele with interchangeable modules on both sides is a joker for individual self-labelling. The **Joker** can be set up for an event and then removed again - an information element could not be more flexible.

The use of the **Joker** is particularly recommended when larger crowds need to be informed or guided, because it sends out an unmistakable signal. Thanks to the perfect interplay with the other elements of the guidance system from the **system sieben** series, the **Joker** shows that even highly topical information can be communicated in a representative and elegant way.

Joker

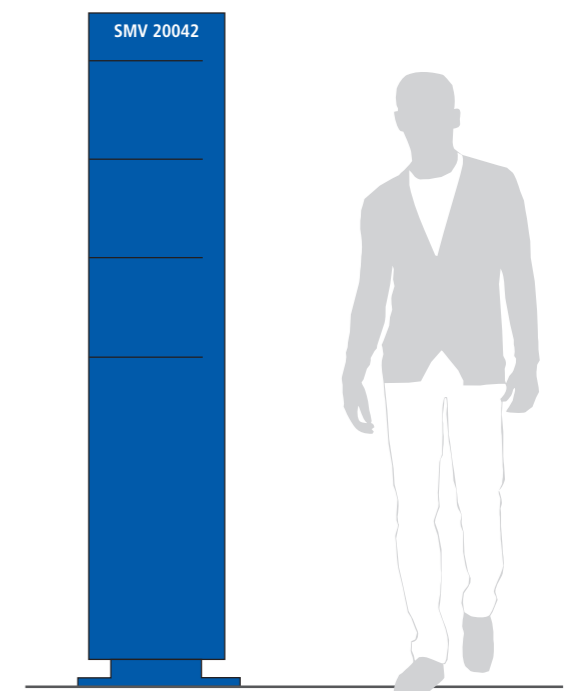
The standard module size is to the DIN A3 landscape format (297 x 420 mm). Special designs in other heights and widths are possible with this technology.

As a system variant, the Joker is also available with a viewing width of 585 mm for DIN A2 landscape and DIN A1 portrait formats. The header module can hold permanently labelled information, e.g. a level or hall designation. Company logos can be printed permanently on the acrylic back or likewise changeably on the foil or paper insert. The stele is available in a similar design without interchangeable modules with surfaces that can be permanently inscribed. Article number of the example: SMV 20042 S for silver anodised system profiles.



Standard size

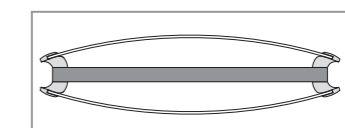
2000 mm x 420 mm



Allocation

- SMV 20042:
- 1 Head module: 150 x 420 mm
- 3 DIN-A3-modules

Top view



Article description	Construction, surface material	Size	Color system profiles
SMV 20042 S SMV stands for the system sieben mobile variable info stele	SMV.. 20042 S SMV.. Standard: painted aluminum surfaces, cover plates acrylic antireflex SMVE Surfaces stainless steel, cover plates acrylic antireflex	SMV 20042 S 200 Height in cm 42 Width in cm Please note: Plinth height additional 70 mm.	SMV 20042 S S Silver anodized L Lacquered

Doorplate aluminum STA

Versatile use due to individual design and different dimensions.

Doorplate aluminum STA

A solid door sign in elegant aluminum look without visible bracket.

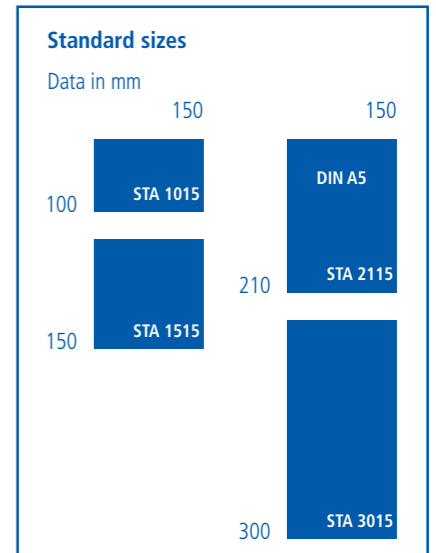


For doorplates that require frequent, quick replacement of the lettering, the **system sieben** offers a simple variant with narrow, lateral edges. The tensioned curvature corresponds to the other elements of the system and thus offers an interesting solution for areas where a folding spring would be too delicate. The design, which is closed at the top and bottom, offers little surface for vandalism and guarantees perfect hold of the text insert. The text inserts, which can be updated by the customer, can be changed easily without the use of special tools.

Mounting

The aluminum profile is anchored to the wall with screws and dowels. Gluing is also possible. On the back of the sign, there is an adapter profile in the center, which also makes the sign compatible with profile posts of the other system components. The lettering is protected behind a pane of unbreakable, anti-reflective polycarbonate.

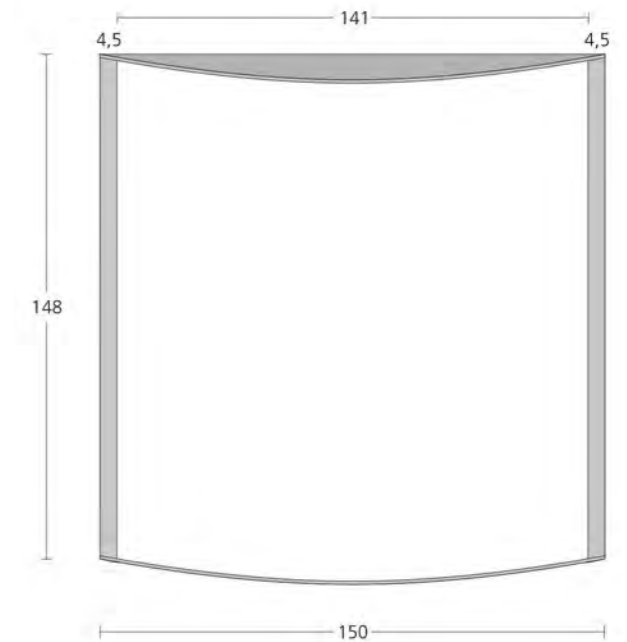
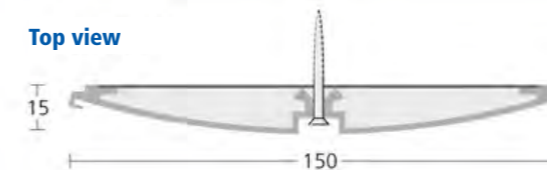
The system profile and the end covers are solidly made of aluminum.



Front view



Top view

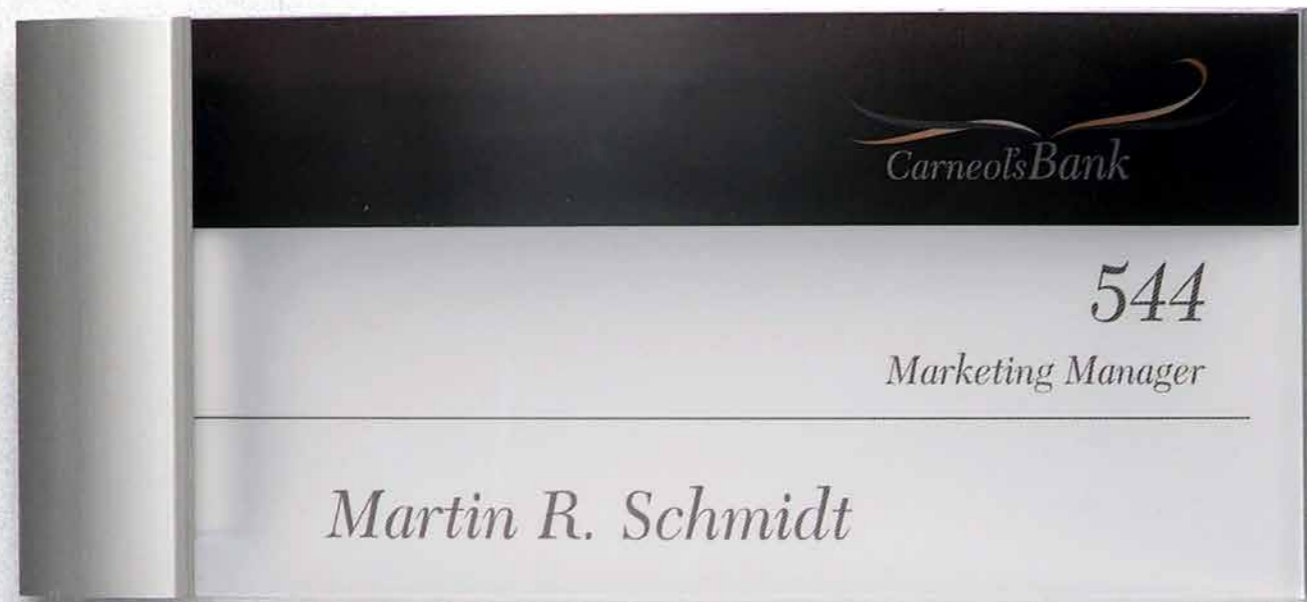
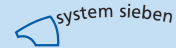


Article description	Construction	Size	Color system profiles
STA 1515 S ST stands for the system sieben door sign	STA Aluminum	STA 1515 S 15 Height in cm 15 Width in cm A width of 15 cm is standard in this design.	STA 1515 S S Silver anodized L Lacquered

Available as landscape, portrait and square, tailored to fit your needs.

Doorplate with folding spring STF

Individual and flexible design options of the entire acrylic surface.



This doorplate combines many design options for the customer. Through the simple and individual exchange of the inserts, the door sign can be quickly and flexibly adapted to changing situations and areas of application. Thus, an update of the information is inexpensive and quickly feasible.

Doorplate with folding spring STF

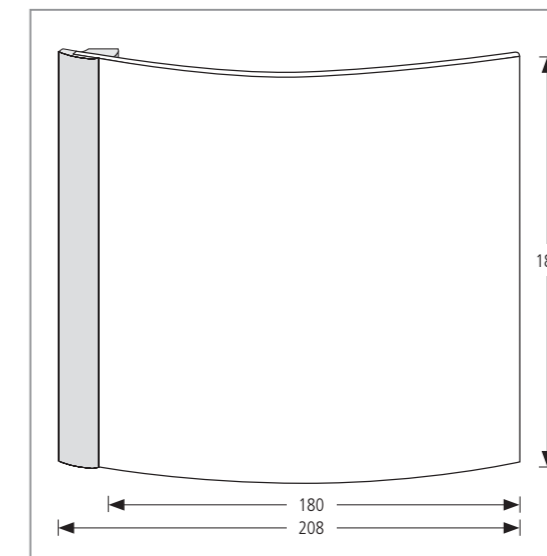
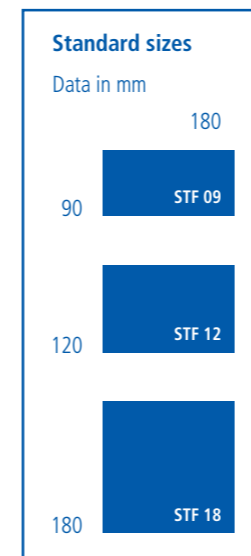
Innovative doorplates for independent replacement of inserts.



The door plate in **system sieben** represents a new development in form and technology with its asymmetrical mounting. The sign's shape is highly conducive to our reading habits, while the retaining profile offers the eye peace

and guidance. The design of the information surface can unfold unhindered. The taut shape of the acrylic folding spring gives the information a three-dimensional format; it lends the sign lightness and a transparency that meets high design requirements, especially in the representative area. The inscription of the semi-transparent foils in the in-house laser or inkjet printer

makes the user independent, an update is inexpensive and quickly executed. An interesting multi-layered effect is achieved by additional back printing of the foils with colored elements.

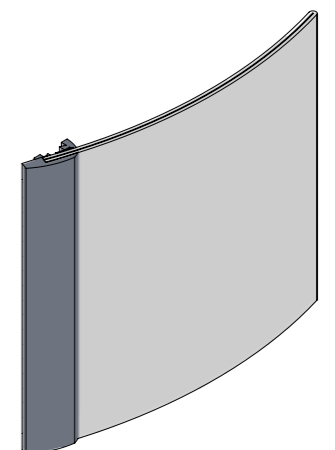
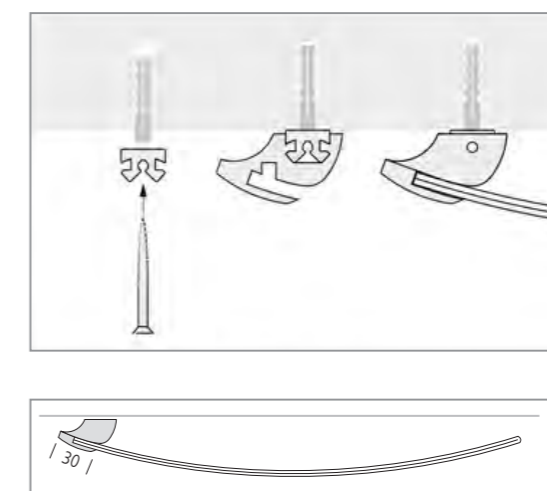


Handling

The curved folding spring for inserting the labeled foils is a folded pocket made of acrylic glass with a thickness of 2 x 2 mm. A clamping screw secures the folding spring in the profile and prevents unauthorized opening of the sign; this is only possible with a system key. With a standard visible width of 180 mm, the door sign is offered in three different heights. Article number of the example: STF 18 S (with silver anodized system profile)

Mounting

A mounting rail is anchored in the wall with screws and dowels. The lateral system profile is pushed onto the mounting rail, closed with the front cover and secured.



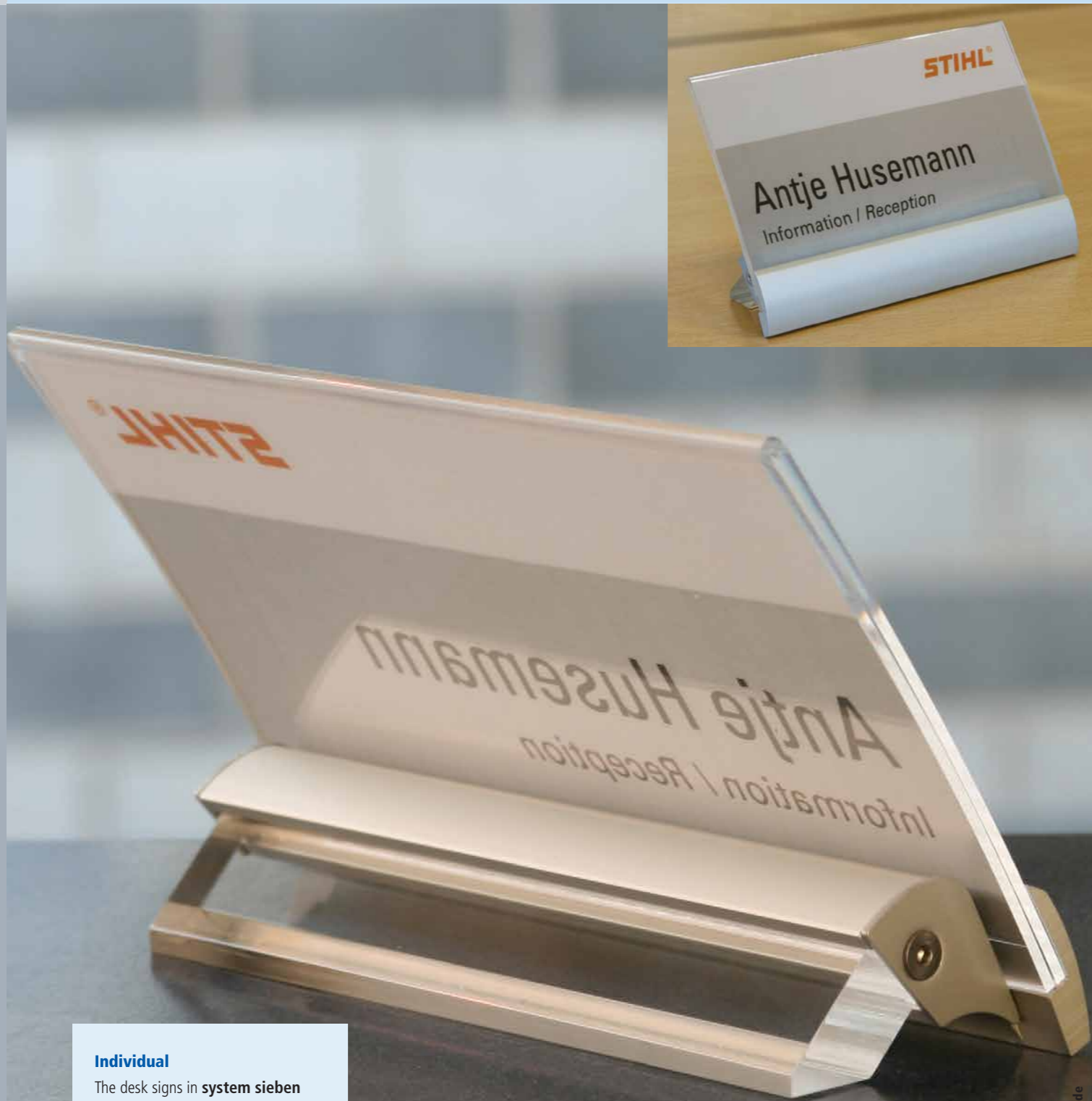
STF 18 S	STF 18 S	STF 18 S	STF 18 S	
ST stands for the system sieben door sign	STF Acrylic folding spring 2 x 2 mm gs crystal clear	18 Height in cm A width of 18 cm is standard in this design.	S Silver anodized L Lacquered	Aluminum polished and chrome profiles are also possible for interior applications.
Article description	Construction, surface material	Size	Color system profiles	Variants

Variable information desk sign SVT

In the service area, customer proximity, trust and transparency are required.

Variable information desk sign SVT

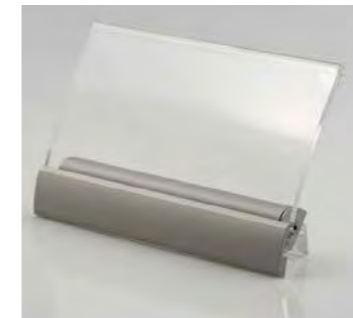
Significant profile elements continue the consistent design of the guidance system even on a small scale.



Individual

The desk signs in **system sieben** continue the consistent design of the guidance system on a small scale. They can be designed and labeled quickly and individually. They are therefore also suitable for frequent exchange of their contents.

At counters, reception desks, during discussions or meetings, you want to know the name and possibly the function of your contact person. The desk sign in **system sieben** gives this data a solid weight without appearing massive. The lightness of the acrylic folding spring gives the sign tension and momentum.

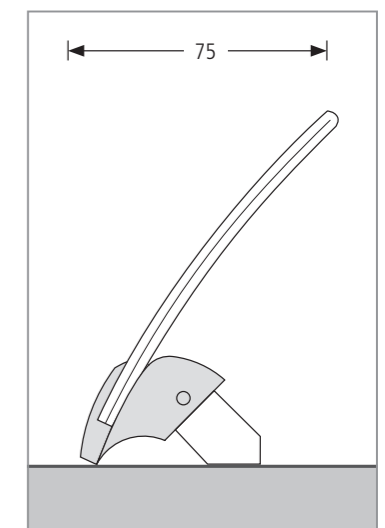
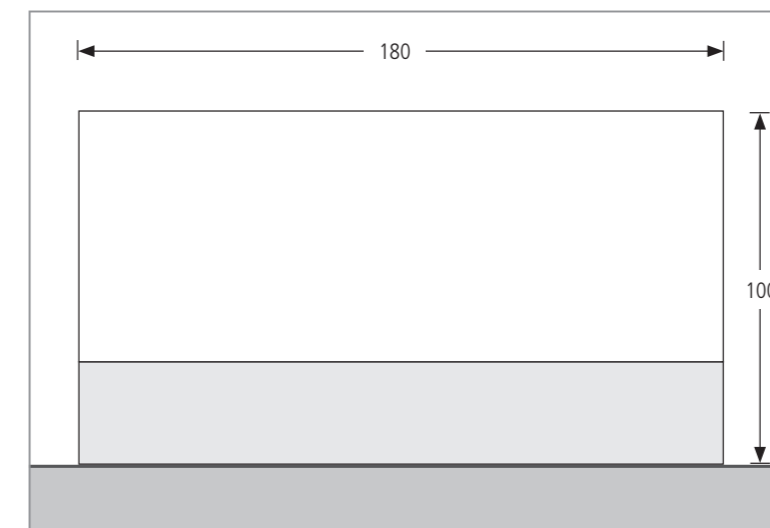


Desk sign

An opaque foil labeled by EDP can be inserted into the acrylic folding spring. The holding profile made of anodized or painted aluminum is supported on the back by a diamond-polished, solid acrylic edge. Item number SVT 0918 S for silver anodized system profile.

Standard sizes

Data in mm	180
90	SVT 0918



SVT 0918 S	SVT 0918 S	SVT 0918 S	SVT 0918 S
SV stands for the system sieben variable informationen	SVT Table display The table stand is supplied with an acrylic Folding spring, 2 x 2 mm gs crystal clear, supplied.	09 Height in cm 18 Width in cm	S Silver anodized L Lacquered
Article description	Construction, surface material	Size	Color system profiles



- to the table of content
- to **rohr+fläche**
- to **quintessenz** | Part 1 | Part 2 |
- to **system sieben**

- to **ceform**
- to **transparenz**
- to **optimal**
- to the consultant on site



Doorplate PVT



Signpost wall mounted PVW

Doorplate PVT

The glass doorplate primavetro combines optimal function with pure design.

primavetro



primavetro needs neither frames nor visible holders. The attachment is hidden behind a back coat of paint. Their standard color is a neutral light gray, nearly Pantone 427. The structure is also chosen so flat that the wall bracket is barely perceptible even from the side perspective. Together with the transparency of the free-floating part it creates a floating glass look.

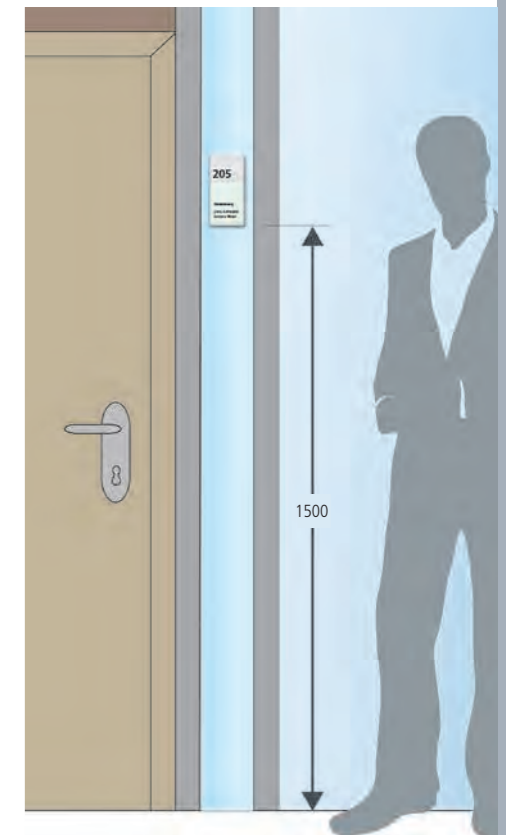
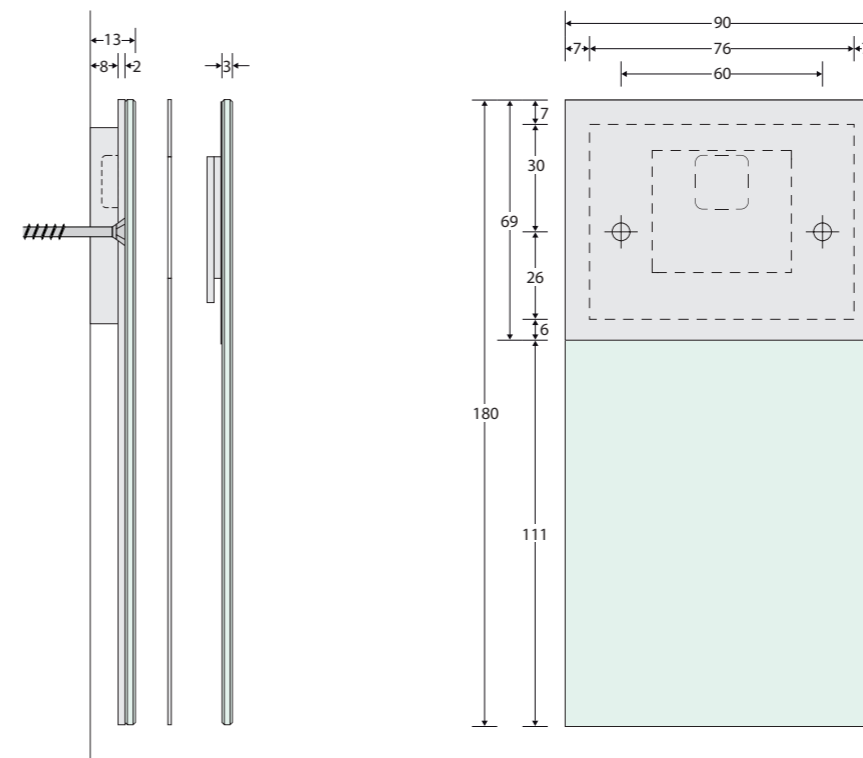
Doorplate PVT

The tool-free change of inlay foils is hidden behind an amazing simple technique.

primavetro

Slim building situations

primavetro was developed for limited space next to the doors of modern glass partition systems. The glass cover is therefore removable to the front. **primavetro** offers an advantage wherever lateral pushing out is impossible on site.



Toolless change

The ones who knows the function, open the front glass with two fingers and no effort. It is almost impossible that the disc accidentally falls to the ground. A magnet locks the lock and secures the glass.

100% graphic surface

The division is done in golden ratio. For design **primavetro** offers a color-covered area, which can be labeled on the front side. The self-inscribed foil is inserted between the transparent surface of the front white glass panel and a fixed acrylic panel behind it.

Frameless construction

A sandwich made of two transparent panes with inscriptions on foil or paper inserted in between is part of the proven practice. With the previous, only 8 mm flat mount, **primavetro** sets new standards.

Article	Size	Variants	Customization
PVT 1809	PVT 1809		
PVT designates the primavetro door sign	18 height in cm 09 width in cm	The color surface can also be defined to suit the interior design. Fixed labels behind glass are also possible on request.	Non-standard dimensions require additional tools and correspondingly longer delivery times. The feasibility must be technically adjusted.

Signpost wall mounted PVW

The interchangeable modules made of glass uniteds function with pure design.

primavetro



Frameless structure

primavetro does not need neither a frame or a visible holder. By choosing the structure flat, it is impossible to see the wall holder on side view. Together with the transparency of the cantilever part. It becomes a floating glass look. A sandwich which consists of two plates, with label foils in between, is part of proven practice.

02.2020 © www.meng.de

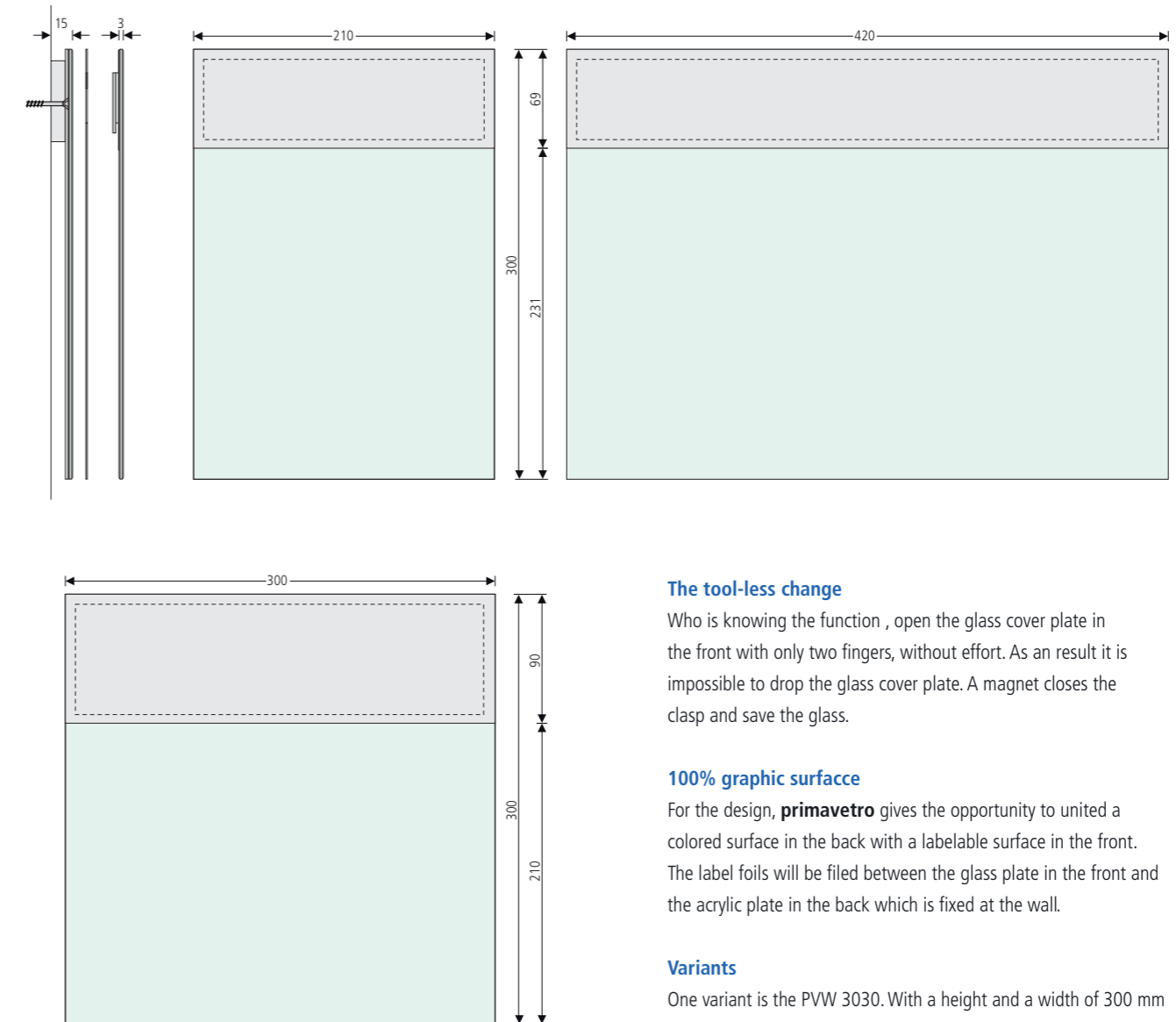
Signpost wall mounted PVW

The noble impression of floating glass with the unique fastening.

meng
signsystems

primavetro

The glass cover plate can be removed to the front. One benefit of **primavetro**, wherever lateral sliding out is not possible on site. The tool-less change of the label foils is hidden behind a simple technique.



The tool-less change

Who is knowing the function, open the glass cover plate in the front with only two fingers, without effort. As a result it is impossible to drop the glass cover plate. A magnet closes the clasp and save the glass.

100% graphic surface

For the design, **primavetro** gives the opportunity to united a colored surface in the back with a labelable surface in the front. The label foils will be filed between the glass plate in the front and the acrylic plate in the back which is fixed at the wall.

Variants

One variant is the PVW 3030. With a height and a width of 300 mm you can use it as a practical wall shield. The view surface under the colored headboard corresponds to one DIN A4 sheet landscape. Übersetzung fehlt:

Ebenfalls können individuelle Grafiken und Farben der Glashinterdeckung bei allen Formaten gewählt werden. Für diese individuelle Farbgestaltung ist eine Abstimmung vorab erforderlich.

PVW 3021	PVW 3021		
PVW PVW stands for the primavetro direction sign	30 height in cm 21 width in cm	The holder is hidden behind a panit layer. Its standard color is a neutral light grey (similar Pantone 427)	The measure 69 mm cannot be undercut. The maximum glass height is 300 mm, the maximum glass width is 420 mm.
article description	size	Standard	Maßanfertigung



- to the table of content
- to **rohr+fläche**
- to **quintessenz** | Part 1 | Part 2 |
- to **system sieben**

- to **primavetro**
- to **transparenz**
- to **optimal**
- to the consultant on site



Doorplate CTA



Doorplate with clamp function CTAKN



Doorplate with interchangeable slide CTAW



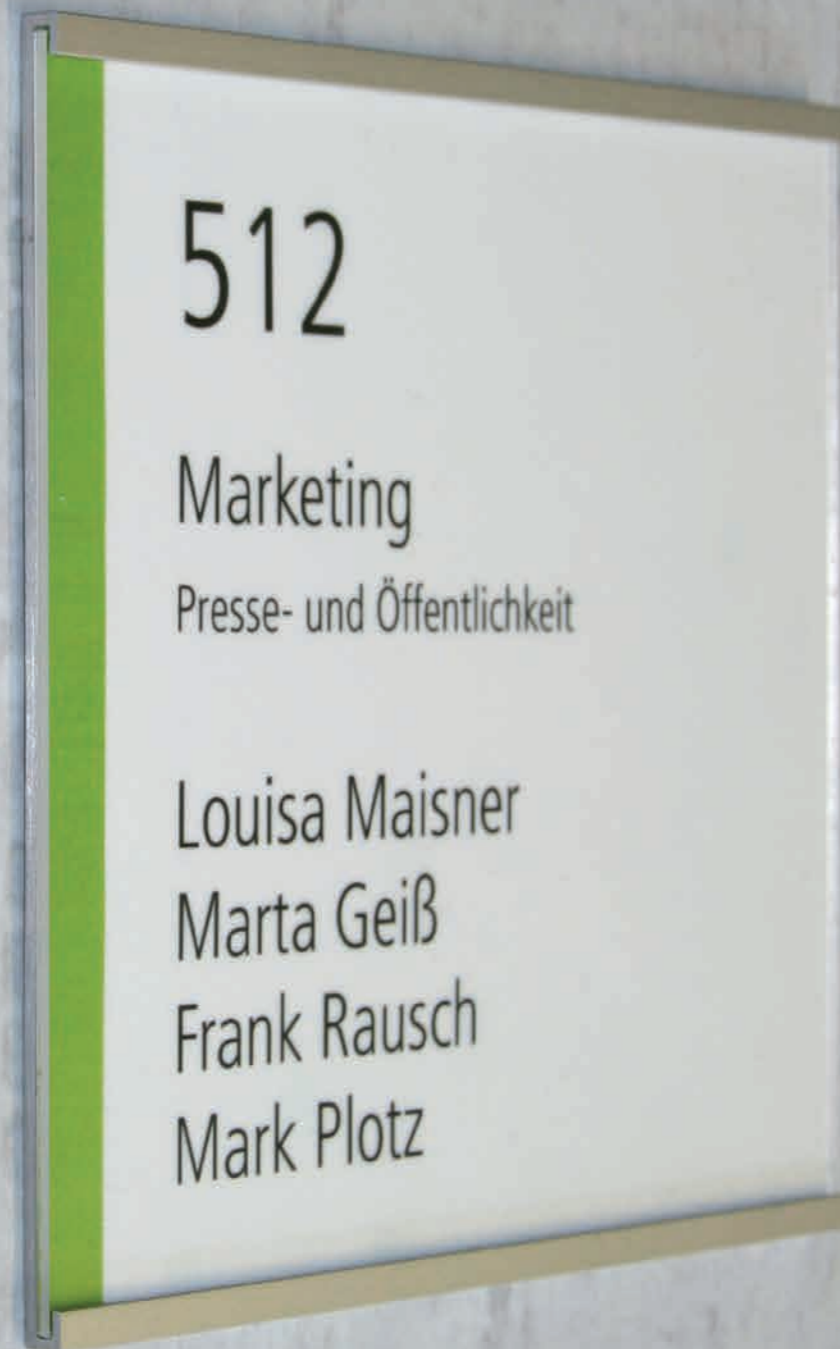
Interchangeable module CW

Doorplate CTA

... the timeless modern classics.

ceform

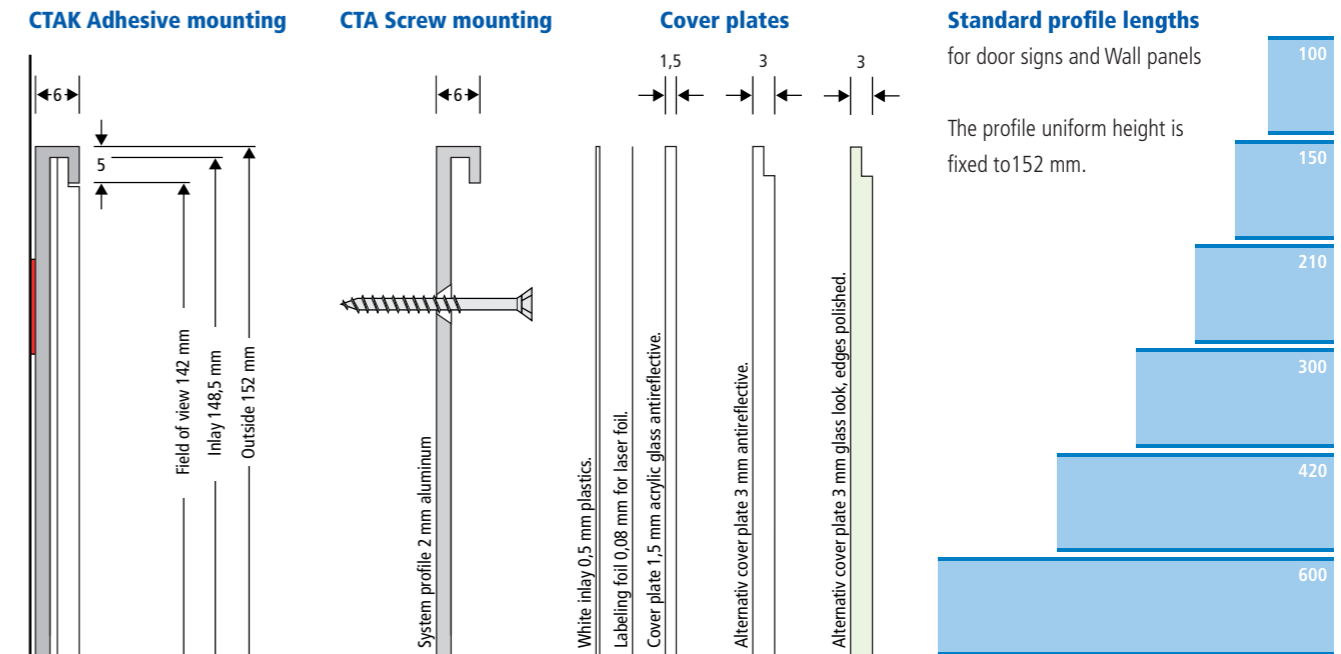
meng has been using the insert-signs system successfully for more than 25 years. With the **ceform** door sign, they are now defined as a part of the quintessenz system. This technique can be used wherever a simple labeling change is required.



Doorplate CTA

The functional design of the ceform series allows the classic insertion technology.

ceform



Adhesive mounting CTAK

In most cases, the more cost-effective adhesive assembly CTAK is sufficient, in which the back of the shield is equipped with tape strips. Adhesive rings sheets are available for glue mounting on glass surfaces, which cover the otherwise visible adhesive strips from the room side.

Screw mounting CTA

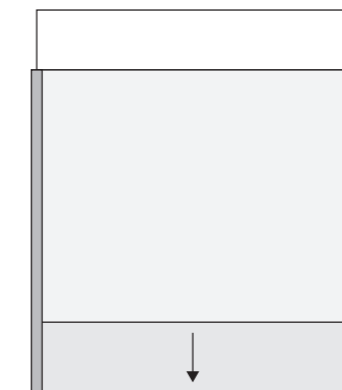
Screw mounting CTA, every sign is attached with 2 screws.

Cover plates

In addition to the lightest equipment with a 1.5 mm thin clear lens, a flush surface cover with a step fold in 3 mm anti-reflective plexiglas is also possible. The visible edges are matte sawn or milled. The highest quality diamond polished edges are made of green shimmering glass-clear acrylic.

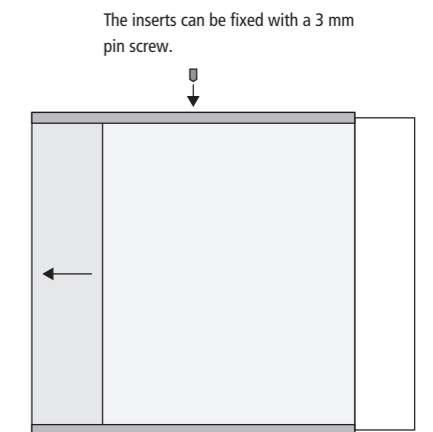
Vertical arrangement

The **ceform** door sign can also be used vertically. In this case an additional stop is required at the lower edge.



Width dimensions

Simple in construction, yet significant made of metal and acrylic glass. Apart from the square door sign with a height of 150 mm, other widths are also possible. For larger formats with an 8 mm profile thickness, a separate data sheet is available.



CTA 1530 S	CTA 1530 S	CTAK 1515 S V3	CTA 1530 S
CT ceform door sign	15 Height in cm	CTAK Adhesive mounting	S silverly anodized
A Aluminium profile (Screw mounting)	30 Width in cm	CTAK 1515 S V verticale profile with a stop	L lacquered
		3 Acryl, 3 mm	
Article	Sizes	Material Surfaces	Color of the system profile

Doorplate with clamp function CTAKN

Amazing additional function for the transfer of information.

ceform



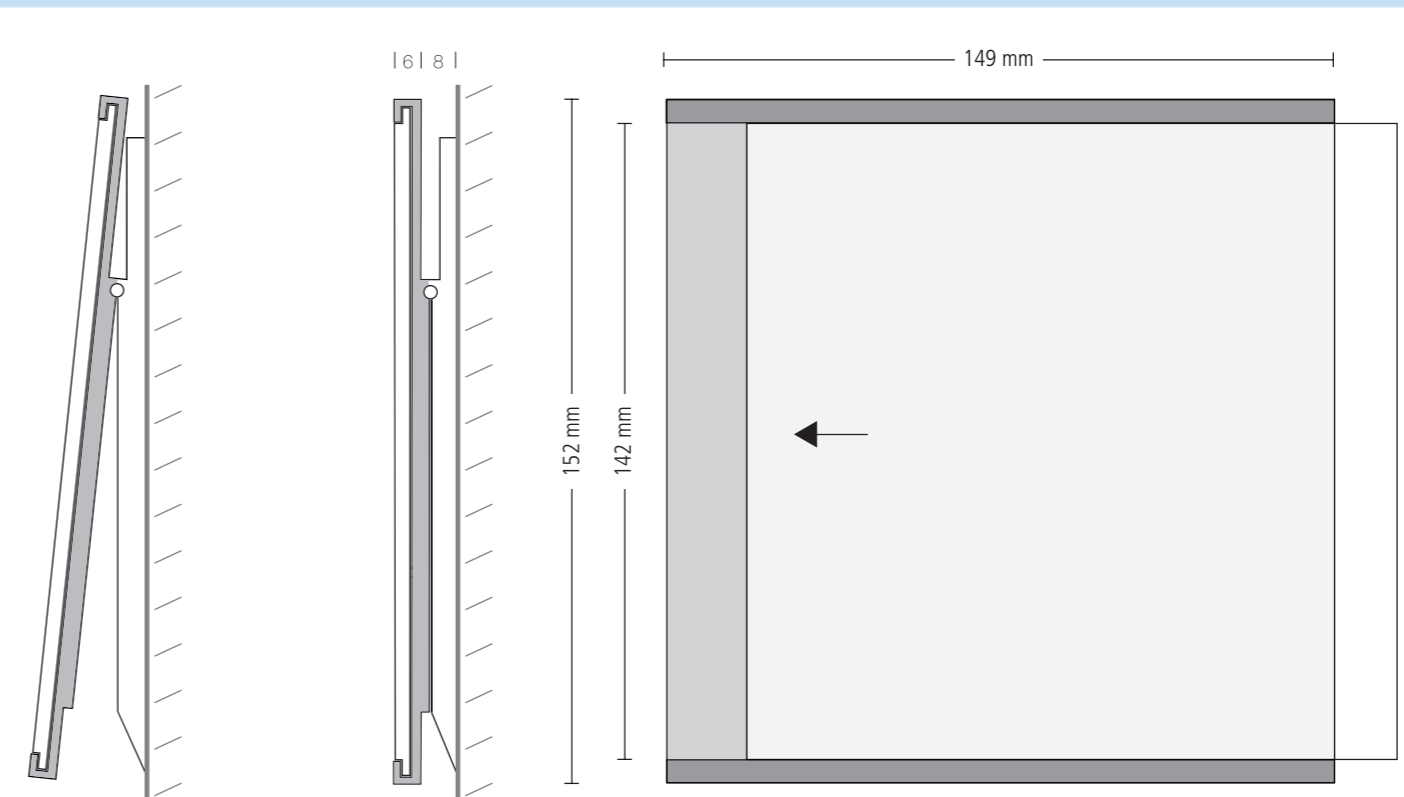
spontaneous transfer of information

The question of where the colleague has stayed, usually shows up at his office door. Practical if there is an information about his return or you have the possibility to leave a message by yourself. The C-form door plate offers the solution for this. At the touch of a finger on the upper edge of the door plate, it can be easily opened and the message can be fixed.

Doorplate with clamp function CTAKN

For several pages of notes by only 6 mm construction depth.

ceform



ceform door plate with clamping function

With the clamping function the message is liable safe and invisible. Even several pages of notes or envelopes. One benefit in the time of the digitally networked office, where information like a short absence not always be notice. With the **ceform** doorplate the note experience a comeback. The spontaneous transfer of information saving time and is efficient. The door plate foils can be printed by the client on hisself. The door plate consists of silver anodized

aluminium and can be lacquered in your wish color. It convinces with the clear function and the construction depth of only 6 mm. Even for the clamping function you only need 8 mm wall distance. This additional benefit can be combined with our meng door plates.

For your project needs, we calculate offers tailored to your requirements.

CTAKN 1515	CTAKN 1515	CTAKN 1515 S
C ceform system	15 height in cm	S silver anodized
TA door plate made of aluminium	15 width in cm	L lacquered
KN clamping function for notes		
article description	size	color of the system profiles

Doorplate with interchangeable slide CTAW

The insert system ceform is the timeless modern classics.

ceform

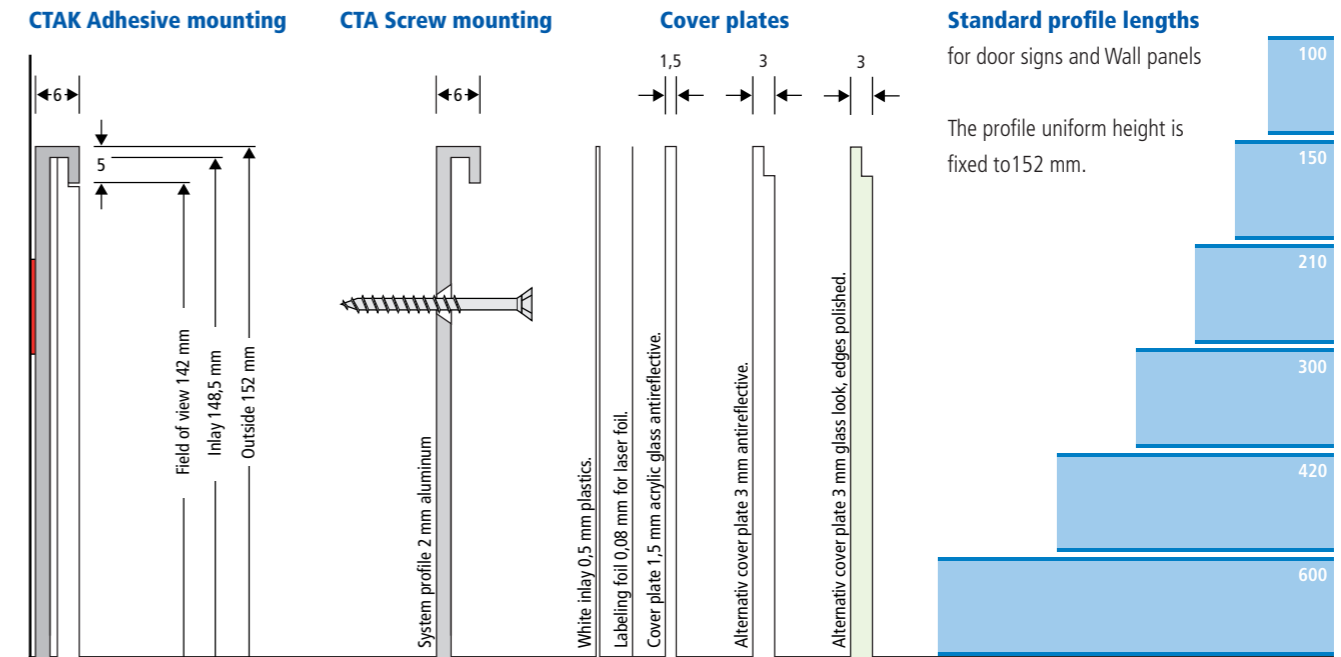
Insert signs have been used successfully by Meng for over 25 years. With the **ceform** doorplate, they are now defined as a variant of the quintessenz system. This technology can be used wherever simple labeling changes are required.



Doorplate with interchangeable slide CTAW

The functional design of the ceform series allows the classic insertion technology.

ceform



Adhesive mounting CTAK

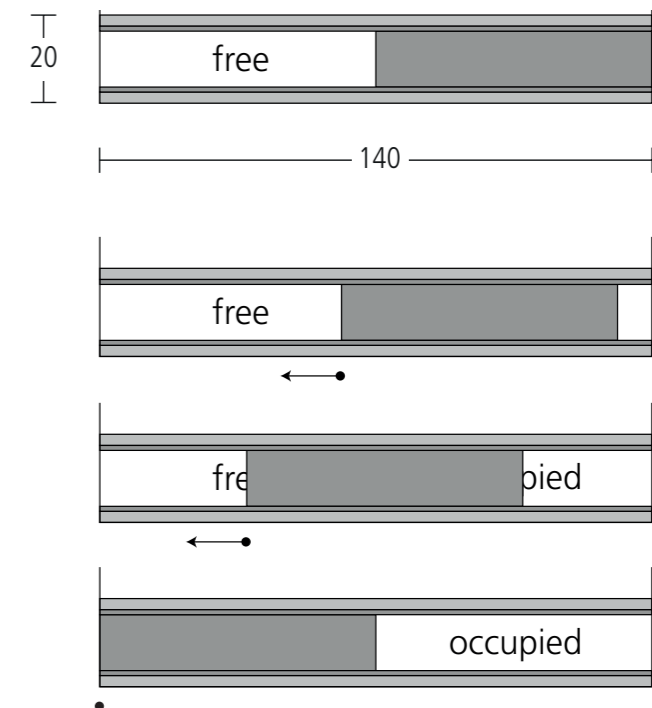
In most cases, the more cost-effective adhesive assembly CTAK is sufficient, in which the back of the shield is equipped with tape strips. Adhesive rings sheets are available for glue mounting on glass surfaces, which cover the otherwise visible adhesive strips from the room side.

Screw mounting CTA

Screw mounting CTA, every sign is attached with 2 screws.

Cover plates

In addition to the lightest equipment with a 1.5 mm thin clear lens, a flush surface cover with a step fold in 3 mm anti-reflective plexiglas is also possible. The visible edges are matte sawn or milled. The highest quality diamond polished edges are made of green shimmering glass-clear acrylic.

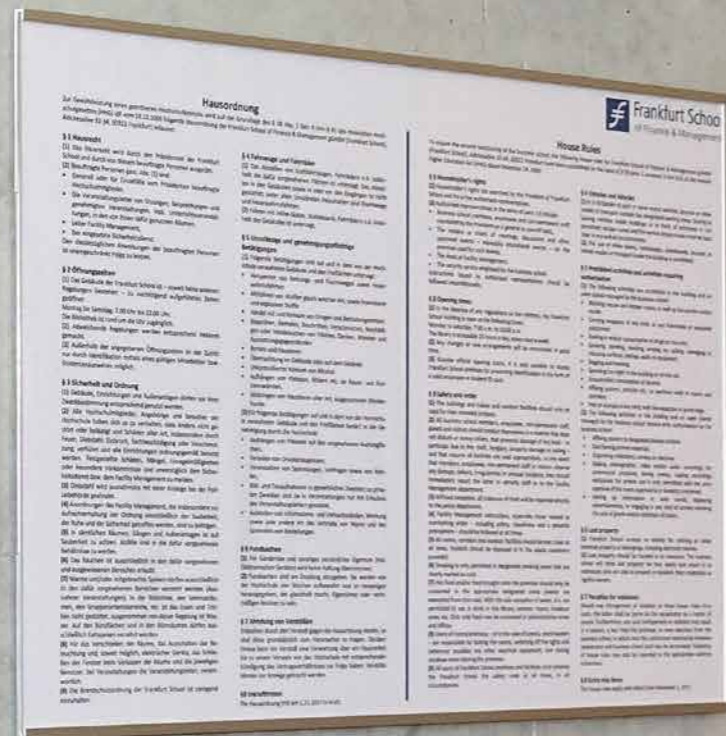
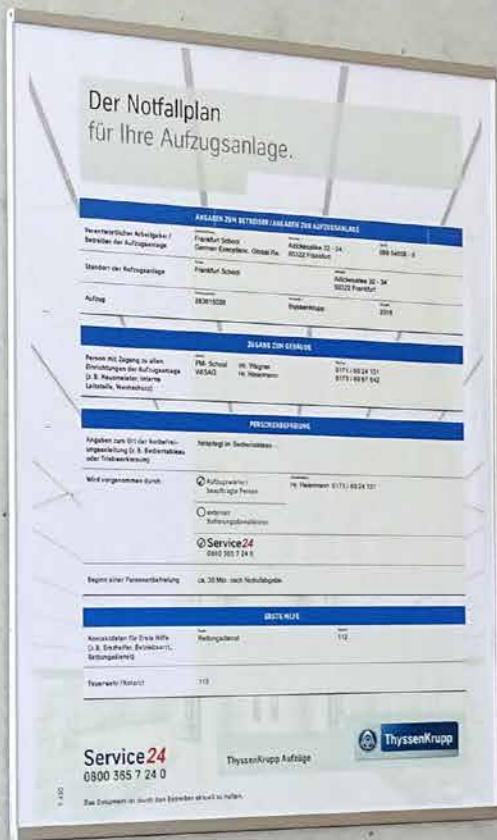


Article	Additional function	Material Surfaces	Sizes	Color of the system profile
CTAWK 1530 S V 3	CTAWK 1530 S V 3	CTAWK 1530 S V 3	CTAWK 1530 S V 3	CTA 1530 S
CT ceform door sign	W with change slide	CTAK Adhesive mounting	15 Height in cm	S silverly anodized
AL Aluminium profile (Screw mounting)		CTAK 1515 S V 3 Acryl, 3 mm	30 Width in cm	L lacquered

Interchangeable module CW

Large-format slide-in signs and interchangeable modules for self-labeling with uncomplicated technology.

ceform



Portrait or landscape format?

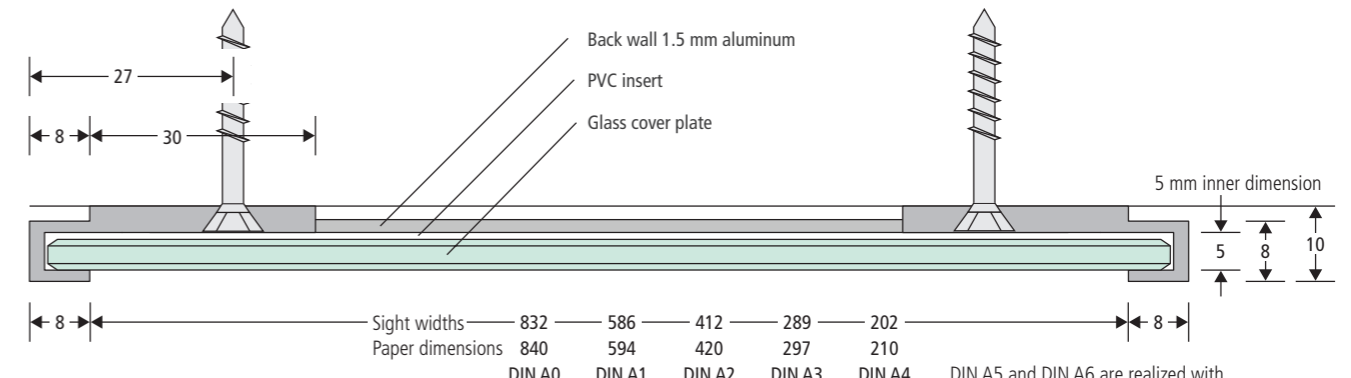
It's all a question of your design! The insert profiles can be joined together in pairs to create individual dimensions. So that simple paper inserts remain easy to change, we have defined the DIN formats as standard. The combination of aluminum and glass is particularly stable and complies with fire protection class A1, non-combustible. It is predestined for escape route plans.

Interchangeable module CW

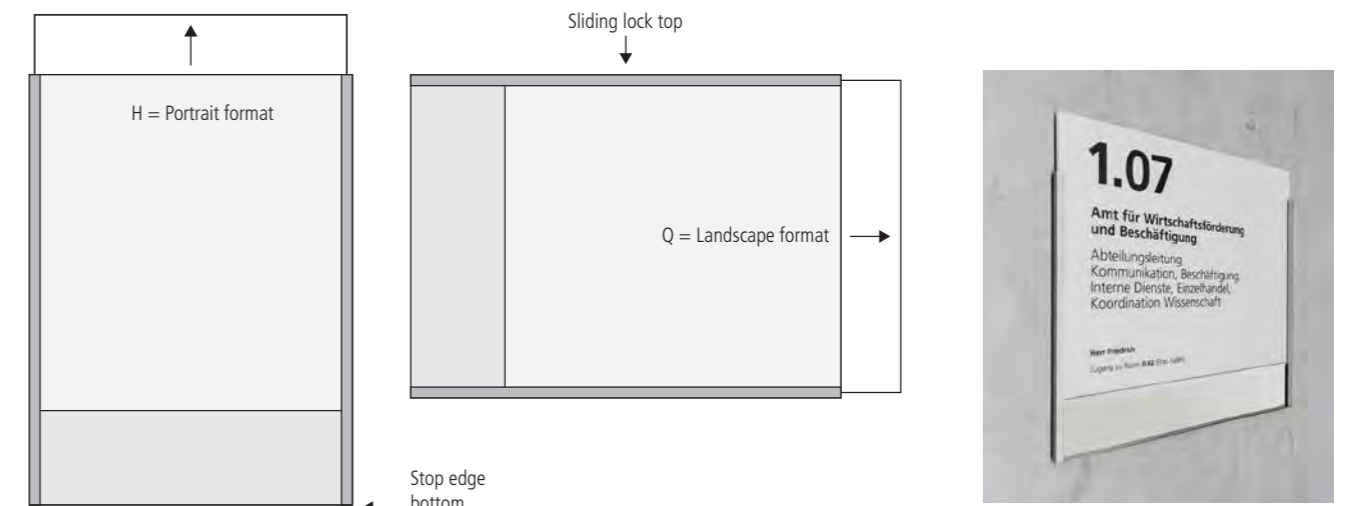
In addition to the CTA doorplate profile with 150 mm width the CW profiles also allow for larger formats.



ceform



Example with 4 mm toughened safety glass



Portrait arrangement

A lower stop edge is required here to ensure that the pane and inserts are held securely.

Landscape arrangement

The transverse formats are standard. The pane and inserts are secured at the top centered at the top to prevent them from being pushed out.

Standard widths

These are dimensioned so that insert sheets in DIN formats fit in without trimming. The profile edge covers the insert by only 4 mm per edge. Individual dimensions are also possible on request.

Insertion surfaces made of glass, acrylic glass and aluminum

Cover panes made of 4 mm acrylic glass to protect self-labeled inserts are standard. Tempered glass panels made of 4 mm toughened safety glass are also available for increased fire protection requirements. Metal surfaces with fixed lettering can be offered for special applications, e.g. outdoors.

Aluminium profiles silver anodised

The profiles basically have a hard anodized surface. On request, the outer visible surfaces can be painted in color; inside they remain silver, as does the continuous support plate. To conceal the wall mounting screws, a white insert is integrated as a neutral background.

Special dimensions

Apart from DIN formats, individual dimensions and alternative insertion plates are possible. The maximum possible size of the cover plates depends on their material stability.

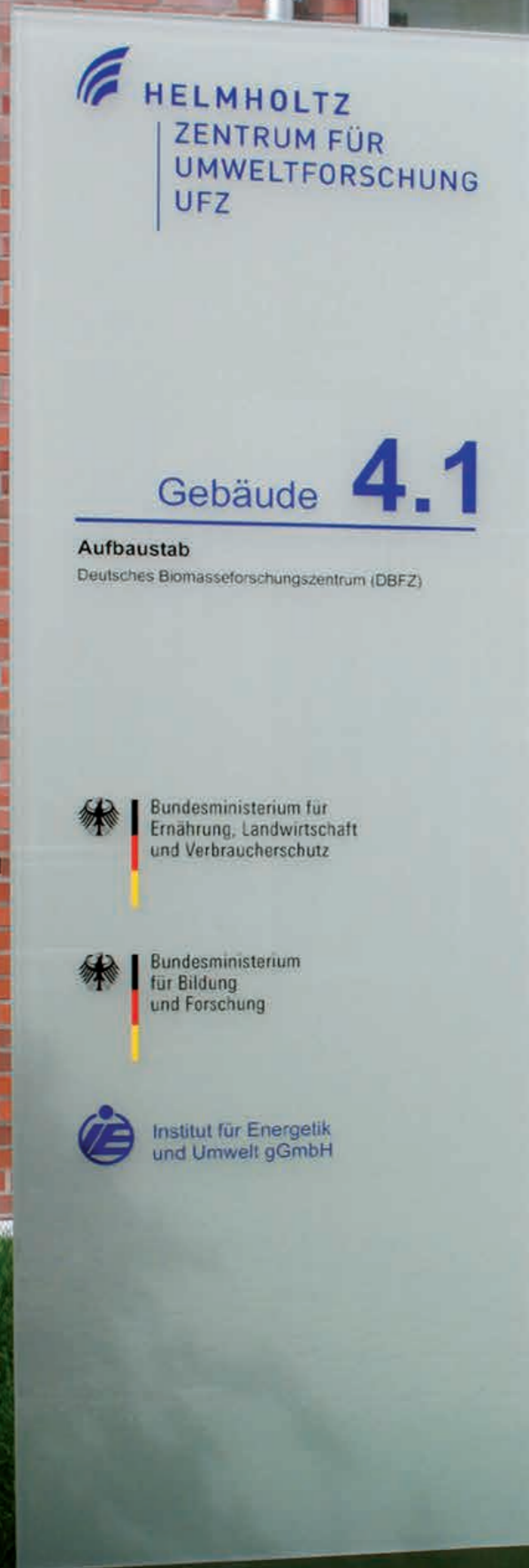
- Acrylic glass 3 mm antireflex = max. 420 mm
- Acrylic glass 4 mm crystal clear = max. 600 mm
- Toughened safety glass = max. 840 mm

Article description	Surface material	Size	Variants	Customized
CWV 3042 HSG	CWV Variable with cover plate CWA Aluminum surface	30 Height in cm 42 Width in cm	H Portrait or landscape format S Silver anodized profiles G Glass pane 4 mm ESG	Lettering surface made of alu-dibond 4 mm



- to the table of content
- to **rohr+fläche**
- to **quintessenz** | Part 1 | Part 2 |
- to **system sieben**

- to **primavetro**
- to **ceform**
- to **optimal**
- to the consultant on site



Overview wall mounted TNU



Doorplate Sandwich Clip TNTSC



Overview freestanding TM

Overview wall mounted TNU

Transparent floating information convey lasting elegance and value.

□ transparenz



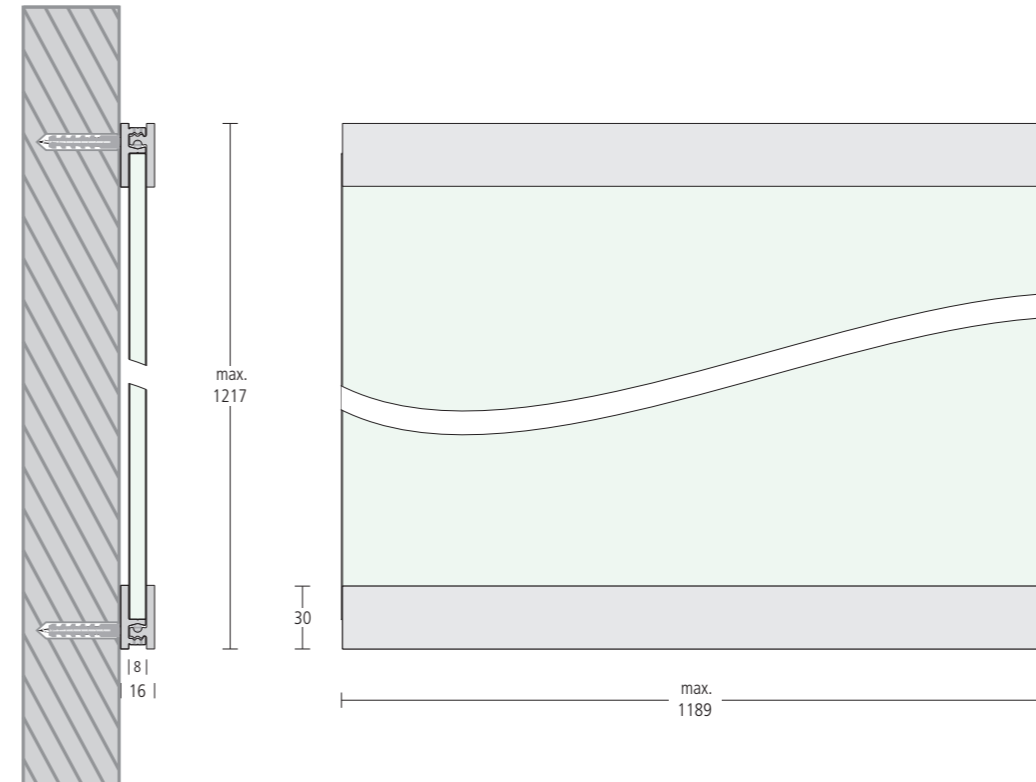
Compared to the classic glass signs with four fastening screws, the signs in the system **transparenz** impress with their concealed fastening. They give the inscription area a transparent, floating appearance, which is the special attraction of the glass signs. The materials comply with **the highest fire protection class A1 – non-combustible**.

01/2021 ■ © ■ www.meng.de

Overview wall mounted TNU

The innovative glass clamping function without glass drilling and visible screws.

□ transparenz



In a signage system, overviews show all reachable destinations and facilities. The size of an overview panel must be selected depending on the complexity of the object. Transparent surfaces made of glass, acrylic glass or even completely different material up to 8 mm plate thickness offer the planner diverse and creative solutions.

Standard sizes

Data in mm	210	297	420	594	841	1,189
448						
622						
869						
1217						

The overview boards

consist of an information surface with two holding profiles. They are standardized in various formats. Securely anchored to stable walls, the holders are suitable for areas of up to approx. 1 m² with a weight per unit area of approx. 20 kg for 8 mm toughened safety glass. With significantly lighter acrylic glass, formats up to 1.5 m² can usually be fastened without problems.

Customized products

may vary in height / width ratio. Very large glass elements must in any case be held with special constructions. Surface stability, weight and wall anchoring must always meet the static requirements. Our customer consultants coordinate these with the planner on site.

Article description	Type	Surface material	Size	System profile color
TNU describes the transparenz overviews	... Standard: 8 mm acrylic sheet S Sandwich construction: two 4 mm panes (only ESG glass possible)	ESG ESG glass K Crystal clear acrylic G Glass look acrylic	122 Height in cm 119 Width in cm	S Silver anodized L Lacquered

Doorplate sandwich clip TNTSC

Floating transparency, high-quality materials and tool-free label change.

□ transparenz



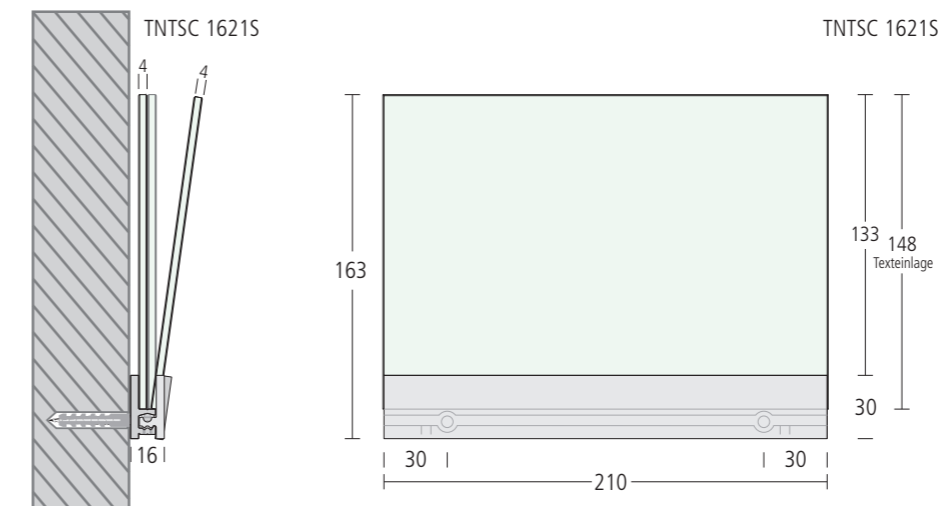
Compared to the classic glass signs with four fastening screws, the signs in the **transparenz** system convince with their clear, concealed fastening. They give the inscription area a transparent, floating appearance, which is the special charm of the glass signs.

Doorplate sandwich clip TNTSC

Label change with a fingertip. The spring-loaded closing glass pane is unique.

□ transparenz

Transparent doorplates are ideal for modern glass architecture. Glass signs with two or four screws are therefore seen „on every corner“. A major disadvantage of most systems is the inconvenient replacement of the lettering. To open the four screws already requires patience. The screws can fall off or even the whole glass pane. The new lettering insert must be precisely perforated to fit, and precise spacing must also have been used beforehand during installation. The sandwich clip door label of the **transparenz** system is an ingenious innovation! A fingertip is all it takes to change the text insert.



Clipfunktion

The ingenious spring mechanism requires only minimal space in the pair of aluminum retaining profiles. The locking force can also be adjusted so that the movable cover disc either remains firmly closed or can be opened easily with the index finger. It goes without saying that all parts remain on the wall and hands free when changing inserts.

Also available with integrated change slider glued to the door plate, which impresses with its simple function. (TNTSCW)



Standard sizes

Data in mm	150	180
150	TNTSC 1515	TNTSC 1518
150	A5 high	210
220	TNTSC 2215	160
		TNTSC 1621

Dowelled screw mounting

in solid masonry, concrete or stud walls is standard. Vertical profile mounting is also possible. The glass panes are sandwiched for sandwiching a printed insert of paper or foil. The area dimension is 1 mm longer than the aluminum profile for faceted materials. Both panes are securely connected with one half of the profile each. The clamping can be adjusted from the bottom edge. In addition to the temporary text insert, the metal profile can also be labeled. Room code, company logo and also Braille are thus permanently preserved.

TNTSCG 1621 S	TNTSCG 1621 S	TNTSCG 1621 S	TNTSCG 1621 S
TNTSC describes the transparenz door sign with sandwich clip function	FG Float glass K Crystal clear acrylic G Glass look acrylic	16 Height in cm 21 Width in cm	S Silver anodized L Lacquered
TNTSCW with interchangeable slider			
Artikelbezeichnung	Surface material	Size	System profile color

Overview freestanding TM

Transparenz offers ease in the communication of information.

transparenz



Depending on the graphic design, transparent information carriers show depth, plasticity or lightness in the transmission of information. Double-sided readability is achieved with a light-blocking cover made of foil. In the case of neutral backgrounds, the use of type carriers that remain crystal clear is possible.

01/2021 | © | www.meng.de

Overview freestanding TM

The mobile stand-up signs with transparent value.

meng
signsystems

transparenz

Safety glass

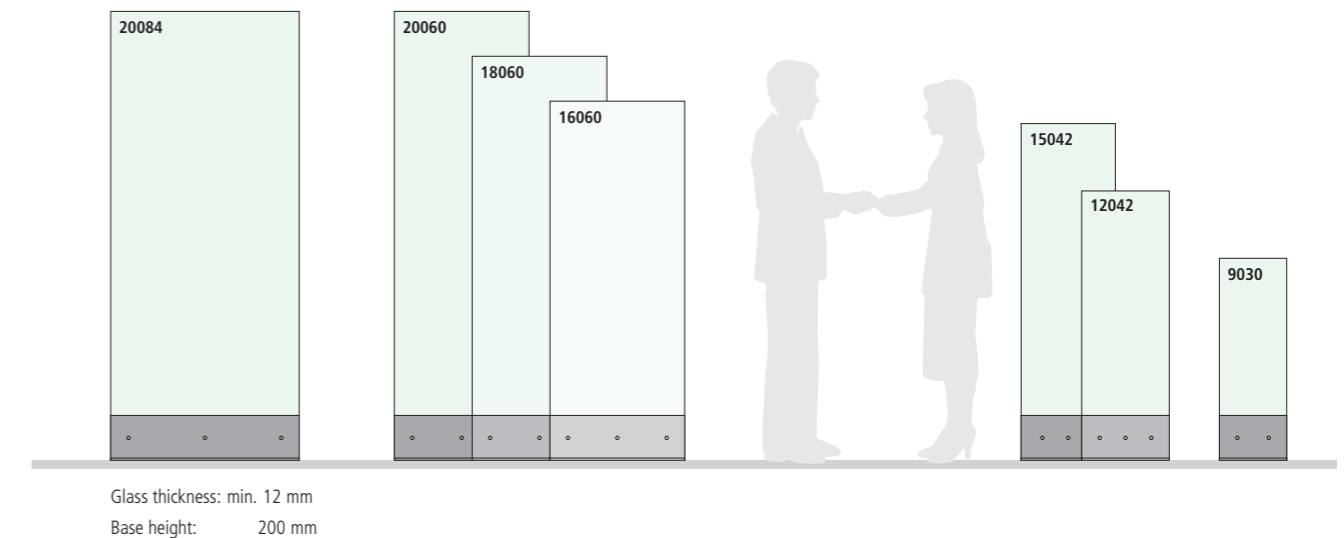
The use of tempered ESG single-pane safety glass or VSG laminated safety glass consisting of 2 panes with an intermediate film is required on site. The glass thickness must correspond to the surface dimension and its clamp fastening.

The ESG version

with clear panes leaves all design options open to the graphic designer. A number of high-quality foils are available with which the back can be individually covered, even semi-transparently. If the green tint typical of glass distorts the colors, we recommend using white glass (optiwhite). It has a reduced green tint.

The VSG variant

is equipped with a matt, semi-transparent intermediate layer, which provides the neutral background for lettering with film text. However, since the glass layers of the commercially available laminated glass are not tempered, the risk of breakage is higher than with the harder single-pane safety glass, toughened safety glass.

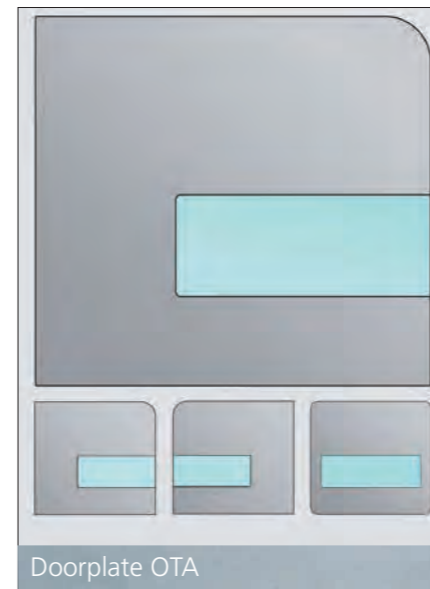


Article description	Surface material	Foot plate material	Size	Optional
TM describes the transparenz mobile stand	ESG Single pane safety glass crystal clear VSG Laminated safety glass with frosted intermediate film	E Stainless steel foot plate FS Powder coated steel foot plate	180 Height in cm 60 Width in cm	W White glass with reduced green coloration



- to the table of content
- to **rohr+fläche**
- to **quintessenz** | Part 1 | Part 2 |
- to **system sieben**

- to **primavetro**
- to **ceform**
- to **transparenz**
- to the consultant on site



Doorplate OTA

Maximum latitude with creative formal language and minimal use of materials.

optimal



Less is more

Very slim depths, combined with a reduced use of materials, don't limit the creativity in shape and color at all. With clear window for the exchange of individual inscriptions or completely without windows, as a full-surface sign, for permanent information.



Doorplate OTA

The optimal door sign made of aluminum in a particularly flat design.

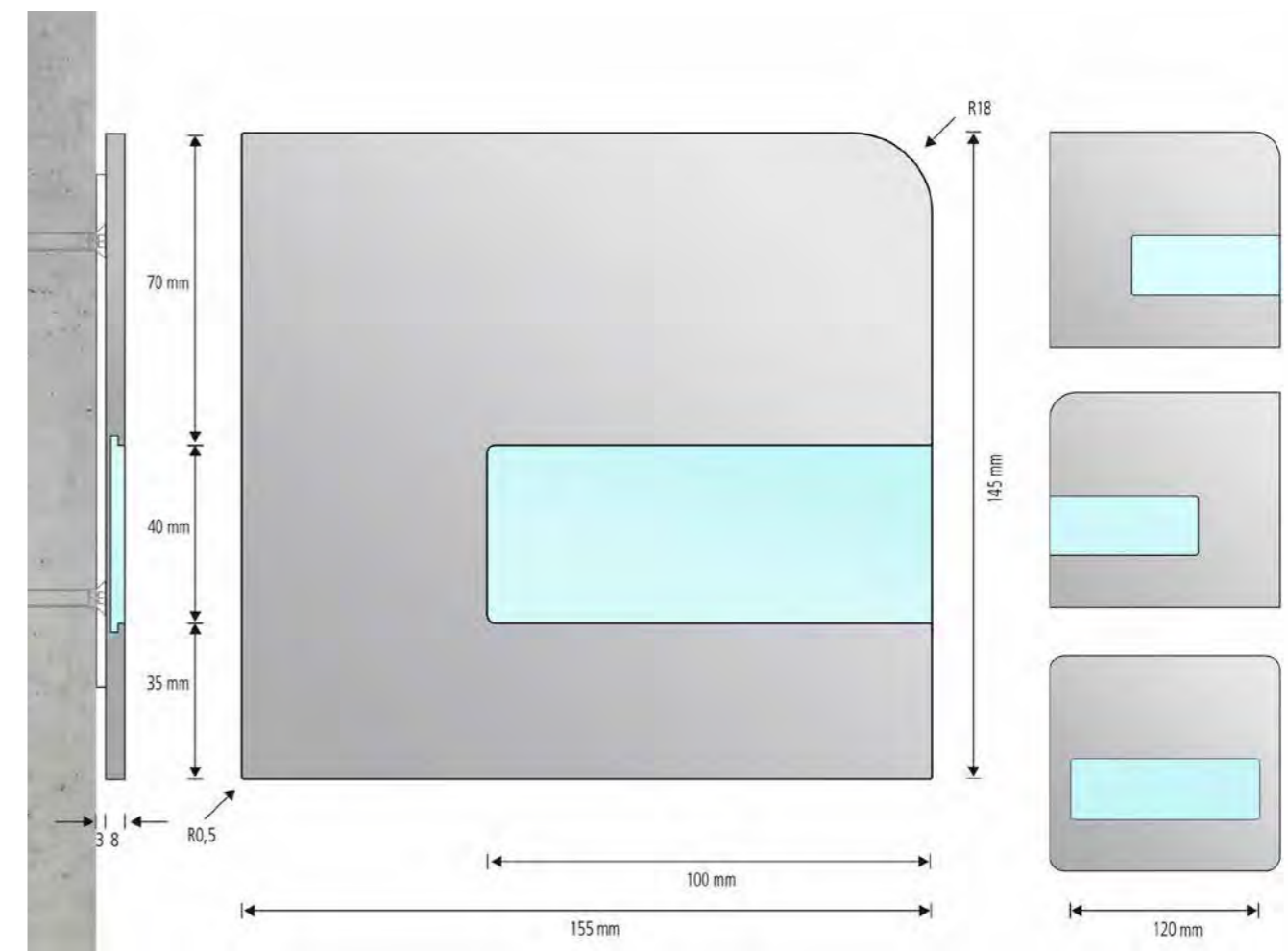
optimal

Save and flexible

Optimal describes a product line made of metal, which largely corresponds to the fire protection class A1, non-flammable. The minimum content of the polycarbonate disc is B1, hardly inflammable. Therefore the sign system is optimally equipped for use in sensitive escape route areas. In addition to the cost-saving standard form, the creativity in shape and color are unlimited. Feasibility and resulting manufacturing costs are agreed with the planer. The very slim depths, combined with the reduced use of materials, meet the specifications of modern architecture.

Individually

To exchange individual labeling, the door sign is optimally equipped with a transparent window. The laterally inserted writing media are concealed secured against removal. To update the info plate on the special plate is removable from the wall. Alternatively, if the next has been permanently pasted with foil text or digital printing, the windows pane can be completely omitted. For wall mounting, the door sign is optimally prepared either for dowel mounting or for sticking.



Article	Variants	Size	Processing	Customization
OTA	OTA stands for the optimal door plate made of aluminum without windows	15 height in cm 15 width in cm	L lacquered silk matt S anodised silver, edges bare SS silver-piece anodized incl. edges	By maintaining the design type different dimensions and contours are possible. They are calculated on an expenditure-related basis.
FR	FR with window on the right			
FL	FL with window on the left			

- to the table of content
- to **rohr+fläche**
- to **quintessenz** | Part 1 | Part 2 |
- to **system sieben**

- to **primavetro**
- to **ceform**
- to **transparenz**
- to **optimal**

Your consultant on site

You can count on us, we are happy to support you and look forward to your inquiry. The best thing to do is to arrange a consultation appointment with your personal contact right away.



Axel Burow
Berlin, Brandenburg

Mozartstr. 45
16552 Schildow
Phone +49 33056 420 82
Mobile +49 175-74 10 59
axel.burow@meng.de



Peter Becker
Rhineland-Palatinate,
Saarland
Nachtigallenweg 3
66386 St. Ingbert
Phone +49 6782 9941-31
Mobile +49 175-226 86 62
peter.becker@meng.de



Alessandra Braun
Sales
Phone +49 6782 9941-46
alessandra.braun@meng.de



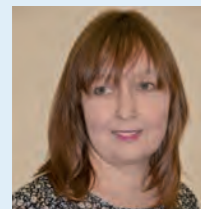
Sascha Dinger
Sales
Phone +49 6782 9941-45
sascha.dinger@meng.de



Robert Erbach
Sales
Tel. +49 6782 9941-15
Mobil +49175-574 10 51
robert.erbach@meng.de



Aline Leonhard
Sales
Phone +49 6782 9941-16
aline.leonhard@meng.de



Marion Mai
Sales
Phone +49 6782 9941-25
marion.mai@meng.de



Ingrid Meng
Sales, Management
Phone +49 6782 9941-10
ingrid.meng@meng.de



Jörg Stiepelmann
Ruhr-Lower Rhine-Münsterland

Heisterweg 19a
46499 Hamminkeln-Loikum
Phone +49 2852 54 90
Mobile +49 175-574 10 57
joerg.stiepelmann@meng.de



Ronald Wortmann
Northern Germany

Waterfuhr 3a
21271 Asendorf
Phone +49 4183 36 79
Mobile +49 175 574 10 54
ronald.wortmann@meng.de



Consultant network

A signage system is much more than a collection of signs. With our Europe-wide network of consultants, we provide grown competence and experience on site. Our service package includes not only consulting, planning, design and implementation of our guidance and orientation systems, but also installation, maintenance and a long-term after-sales guarantee.

Objektbeschilderung
Michael Graß
Veldensteiner Straße 34
91257 Pegnitz
Phone 09241 - 9 12 46
Michael.Grass@t-online.de

REBEL
Schrift + Dekor GmbH
Gräfelfinger Straße 133A
81375 München
Phone 089 - 74 00 810
info@rebel-gmbh.de

Switzerland
REBA
Rolf Renz
Ergolzstraße 37
4414 Füllinsdorf
Phone +41 61401 18 88
Mobile +41 79 698 94 88
meng@eblcom.ch

France
Signest - Europlac
Cédric Peytoureau
Patrice Bihler
3 rue de Séville
68300 Saint-Louis
Phone +33 389 70 54 24
p.bihler@signest68.com

Info-Technik Jäckel
Rosenstraße 39
77855 Achern
Phone 07227 - 87 02
jaeckel.info@t-online.de

BP Kommunikationsdesign
Bettina Leidi
Kornhochheimer Straße 16
99192 Nesse-Apfelstädt
OT Kornhochheim
Phone 036202 - 7 85 43-0
info@bpk-design.de

Belgium
NO'A bvba
Jan & Steven De Hollander
Groene Hofstraat 22
2850 Boom
Phone +32 3 888 0588
www.no-a.be

Denmark
DEKO DEKORATION
Henning Hansen
Brovej 4
4200 Slagelse
Phone +45 5858 4100
info@deko-dekoration.dk

DeZWO Schlesselmann + Fichte GbR
Kernerstraße 21
74336 Brackenheim
Phone 07135 - 93 67 10
dialog@dezwo.de

Netherlands
Rekla-Spits
Edwin de Groot
Industrieweg 59
1521 NE Wormerveer
Tel. +31 7563 53551
www.reklaspits.nl

Luxembourg
Ingrid Meng
Robert Erbach
Phone +49 6782 9941-0
info@meng.de

Informationstechnik Meng GmbH

Am Bahnhof 8
55765 Birkenfeld
Germany
Phone +49 6782 99 41- 0
Fax +49 6782 99 41 41
info@meng.de
www.meng.de

...we set trends in signage and orientation systems.

