

# TENIO Fiber Closures

TE Connectivity's fiber optic splice closures are synonymous with excellence in sealing, fiber management, ease of use and design flexibility. Building on almost 30 years of innovation and industry leadership, TE's new TENIO closures enable 30-percent faster, future-proof network deployments in 30-percent less space.

TENIO closures feature modular building blocks and combine proven fiber management hardware with a new sealing system to simplify training and reduce inventory. The closure's 100-percent mechanical, tool-less and intuitive design facilitates lower-skilled network deployments. Full modularity of the closure platform supports a phased CAPEX network deployment scheme, reducing up-front CAPEX investment.

TE's superior gel-sealing technology guarantees sealing regardless of cable type and form.

Designed for use with any cable construction (loose buffer tube, central core tube, loose fiber), the closures deploy in any environment (aerial, pedestal, handhole, manhole).

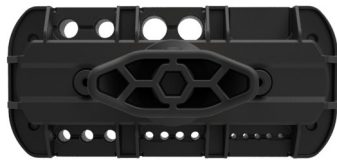







## Benefits

- Reduce total cost of ownership
  - Tool-less, intuitive design assures rapid installation and easy on-going maintenance by less technical workforce
- Optimize cash flow and ROI
  - Modular closure platform allows phased network deployment, lower initial CAPEX expenditure
- Fiber and cable technology independent

# TENIO Fiber Closures

## Building Block 1: TENIO Cable Seal



	Cable Outs	Diameter Range	Maximum number of In/outlet ports
	2a 2b 2c	13-16 11-14 9-12	12
	3a 3b	7-10 5-8	18
	4	3-6	24
	5	2-4	30
	Dummy		

### Superior sealing performance

- Best available mechanical seal on the market
- 20 kPa and 2 m waterhead compliant with prEN50411-2-10

### Easy installation

- 60 second assembly
- First fully wrap-around, 100% mechanical seal ever introduced into the market
- Installation feedback (Go/No Go trigger activation)
- No screws or clicking features

### Flexibility and customization

- Segments are interchangeable
- Field and factory-installable
- Diameter range from 2 - 16 mm

## Building Block 2: TENIO Cable Termination



### Superior Performance

- Best universal cable termination on the market
- Stronger than T-wraps, safer than hose clamps (no cable damage)

### Easy installation

- Fully wrap-around
- Only 1 Allen key needed
- Universal housing in closure (black inserts after segmented gel block)

### Cable construction independent

- Diameter range from 2 - 16 mm
- Central/dual strength member and aramid yarn termination

# TENIO Fiber Closures

## Building Block 3: Split Dome with Edge Seal



### Faster entry and re-entry

- Just 2 side latches, easily operated manually, achieving a 30% faster entry and re-entry than industry standard today

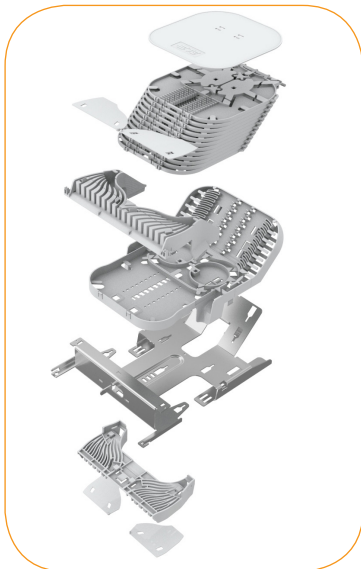
### Superior quality

- Based on same materials as used for many years in FIST GCO2 and FOSC 400 products

### Universal applicability

- Suited for underground, ground level and aerial use

## Building Block 4: Fiber Management



### Reduced installation time

- Optimized FIST fiber management system leading to 30% faster and more intuitive fiber routing and installation
- Up to 144 (12 x 12 fibers) or 192 (8 x 24 fibers) fiber splices

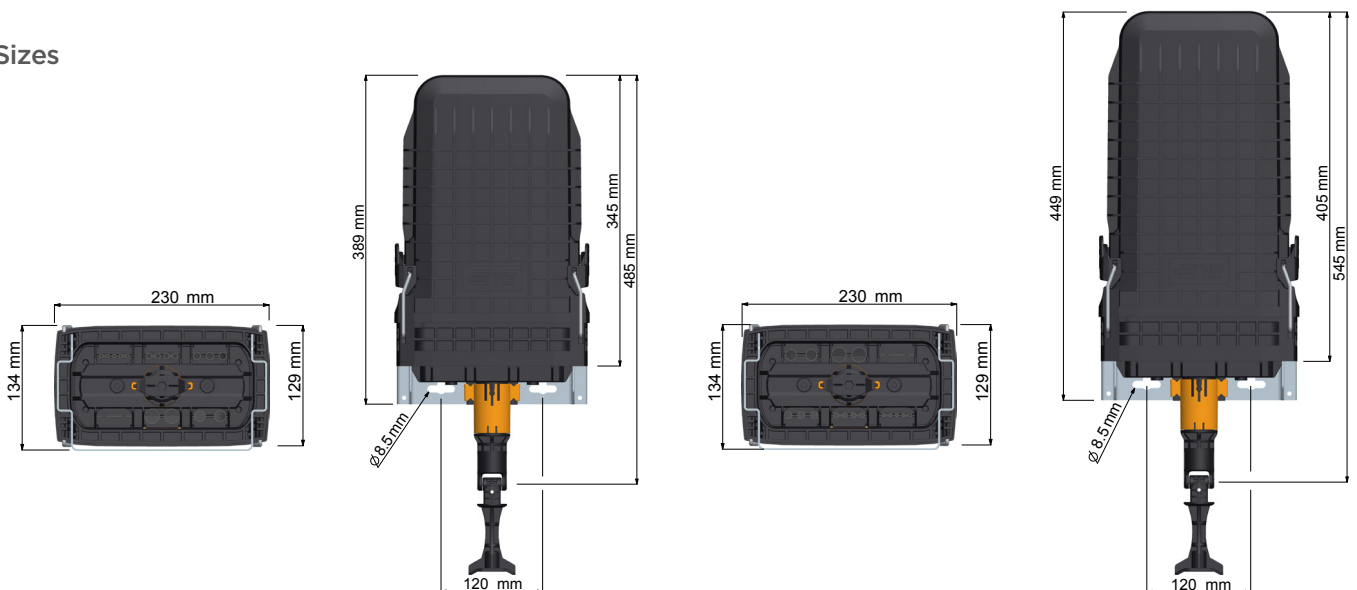
### Decentralized storage locations

- Separate location for optical device storage maintains full splice capacity
- Storage basket for looped cable with tubes up to 2.4 mm in diameter
- Integrated basket for drop cable, spare fiber storage

### Fiber and cable technology independent

- Compatible with 652D fiber
- Minimum 1.2 m overlength storage per splice side
- Control fiber/tube grow-out for up to +20 mm

## Sizes



# TENIO Fiber Closures

## Ordering Information

### Closure:

TENIO-XX-XXX-XX-X

#### Closure size

B6 Small  
C6 Large

#### Valve

N No flash test valve  
V With flash test valve

#### Type of tray

NT No tray  
S12 Tray for up to 12 heat shrink splice protectors (SMOUV 45 mm)  
*for B size only*  
A12 Tray for up to 12 ANT splice protectors  
*for B size only*  
S24 Tray for up to 24 heat shrink splice protectors (SMOUV 45 mm)  
*for C size only*  
A24 Tray for up to 24 ANT splice protectors  
*for C size only*

#### Number of trays

0 No trays  
4, 8, 12 For B size  
2, 4, 8 For C size

TENIO-B accommodates up to 12 trays; each tray houses 12 fiber splices for a capacity of 144 fibers.  
TENIO-C accommodates up to 8 trays; each tray houses 24 fiber splices for a capacity of 192 fibers.

### Trays:

TENIO-XX-TRAY-XXX-(X)

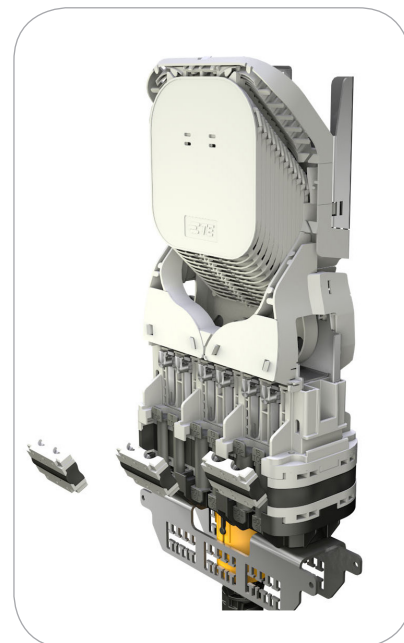
#### Closure size

B6 Small (Shipped in pack of 12)  
C6 Large (Shipped in pack of 8)

#### Quantity of splice trays

12 S12, A12  
8 S24, A24

Cable seals		Ordering number
Number of outlets	Diameter range per outlet	
5	2 mm - 4 mm	TENIO-SKG5-2/4
4	3 mm - 6 mm	TENIO-SKG4-3/6
3	5 mm - 8 mm	TENIO-SKG3-5/8
3	7 mm - 10 mm	TENIO-SKG3-7/10
2	9 mm - 12 mm	TENIO-SKG2-9/12
2	11 mm - 14 mm	TENIO-SKG2-11/14
2	13 mm - 16 mm	TENIO-SKG2-13/16
3	Flat cable: 3/5 mm x 6/9 mm	TENIO-SKG3-3/5x6/9
n.a.	Dummy cable seal	TENIO-SKG-DUMMY
Accessories		
Cable termination unit		
Without central strength member		TENIO-CTU-S-(25)
With central strength member		TENIO-CTU-L-(10)
Mounting bracket		TENIO-MOBRA
External cable fixation bracket		TENIO-EXT/CF



TENIO, SMOUV, TE (logo) and TE Connectivity are trademarks of the TE Connectivity family of companies and its licensors.

The information given herein, including drawings, illustrations and schematics which are intended for illustration purposes only, is believed to be reliable. However, TE Connectivity makes no warranties as to its accuracy or completeness and disclaims any liability in connection with its use. TE Connectivity's obligations shall only be as set forth in TE Connectivity's Standard Terms and Conditions of Sale for this product and in no case will TE Connectivity be liable for any incidental, indirect or consequential damages arising out of the sale, resale, use or misuse of the product. Users of TE Connectivity products should make their own evaluation to determine the suitability of each such product for the specific application.

Tyco Electronics Raychem bvba  
Diestsesteenweg 692  
3010 Kessel-Lo, Belgium  
Tel 32-16 351 011 (USA)1-919-557-8900  
Fax 32-16 351 697(USA)1-919-557-8498  
www.te.com  
www.telecomnetworks.com  
TC 1163/DS/2 11/13

