

January 2012

No. OCB439

REVISED EDITION-G

PARTS CATALOG

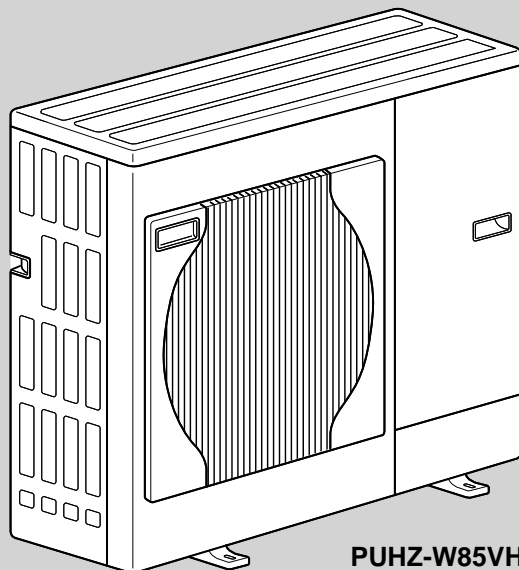
R410A

[Model name]	[Service Ref.]	
PUHZ-W50VHA	PUHZ-W50VHA	PUHZ-W50VHAR1
PUHZ-W50VHA-BS	PUHZ-W50VHA-BS	PUHZ-W50VHAR1-BS
PUHZ-W85VHA	PUHZ-W85VHA	PUHZ-W85VHAR1
PUHZ-W85VHA-BS	PUHZ-W85VHA-BS	PUHZ-W85VHAR1-BS
PUHZ-HW112YHA	PUHZ-HW112YHA	
PUHZ-HW112YHA-BS	PUHZ-HW112YHA-BS	
PUHZ-HW112YHA2	PUHZ-HW112YHA2	PUHZ-HW112YHA2R1
PUHZ-HW112YHA2-BS	PUHZ-HW112YHA2-BS	PUHZ-HW112YHA2R1-BS
PUHZ-HW140VHA	PUHZ-HW140VHA	
PUHZ-HW140VHA-BS	PUHZ-HW140VHA-BS	
PUHZ-HW140YHA	PUHZ-HW140YHA	
PUHZ-HW140YHA-BS	PUHZ-HW140YHA-BS	
PUHZ-HW140VHA2	PUHZ-HW140VHA2	PUHZ-HW140VHA2R1
PUHZ-HW140VHA2-BS	PUHZ-HW140VHA2-BS	PUHZ-HW140VHA2R1-BS
	PUHZ-HW140VHA2R2-BS	
PUHZ-HW140YHA2	PUHZ-HW140YHA2	PUHZ-HW140YHA2R1
PUHZ-HW140YHA2-BS	PUHZ-HW140YHA2-BS	PUHZ-HW140YHA2R1-BS

Revision:

- PUHZ-HW112/140YHA2R1(-BS), PUHZ-HW140VHA2R1 and PUHZ-HW140VHA2R2-BS have been added in REVISED EDITION-G.
- Some descriptions have been modified.

- Please void OCH439 REVISED EDITION-F.



**PUAZ-W85VHA(R1)
PUAZ-W85VHA(R1)-BS**

CONTENTS

1. RoHS PARTS LIST 2
2. OPTIONAL PARTS 20

SERVICE MANUAL (OCH439)

Note:

- RoHS compliant products have <G> mark on the spec name plate.

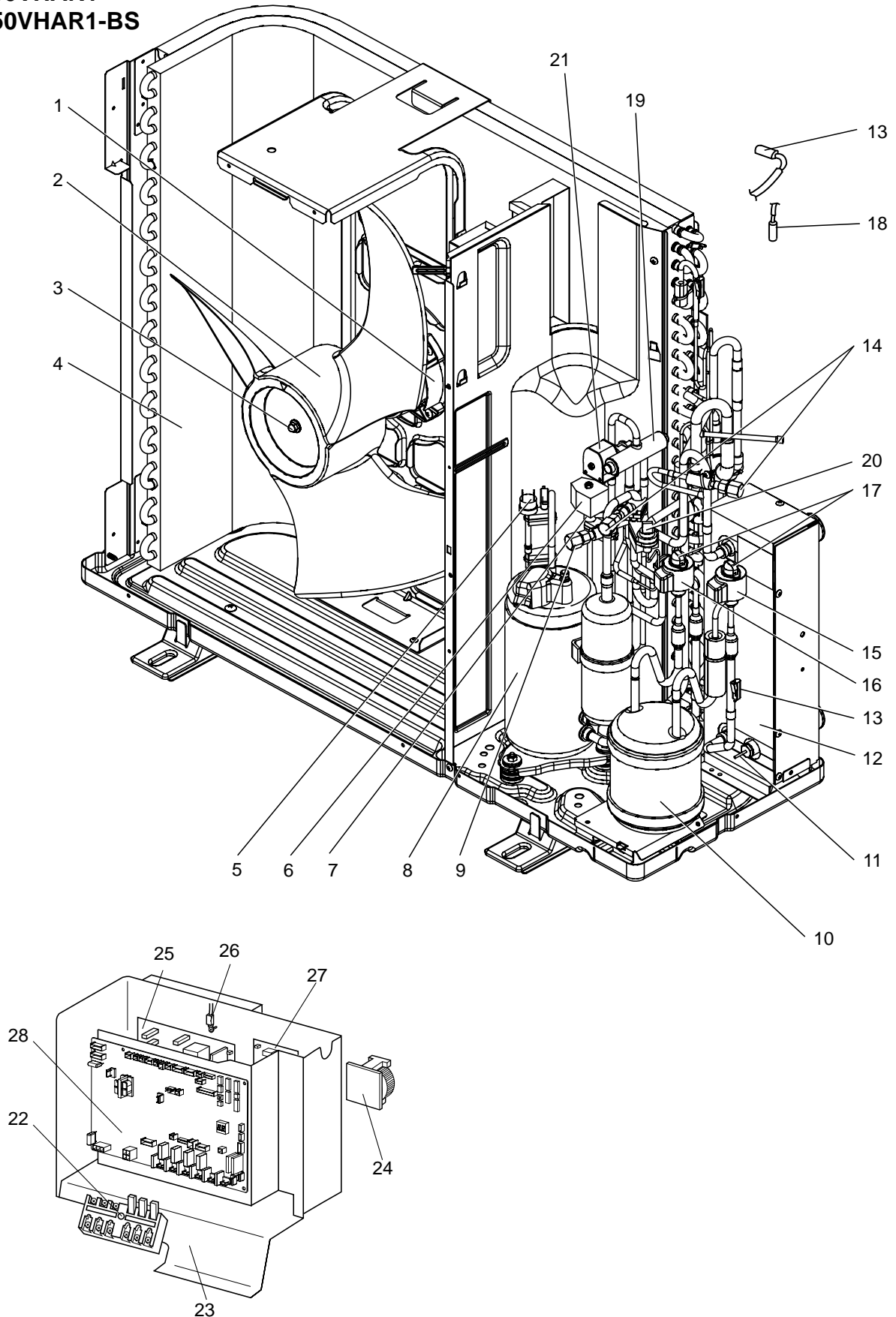
FUNCTIONAL AND ELECTRICAL PARTS

PUHZ-W50VHA

PUHZ-W50VHA-BS

PUHZ-W50VHAR1

PUHZ-W50VHAR1-BS



RoHS PARTS LIST

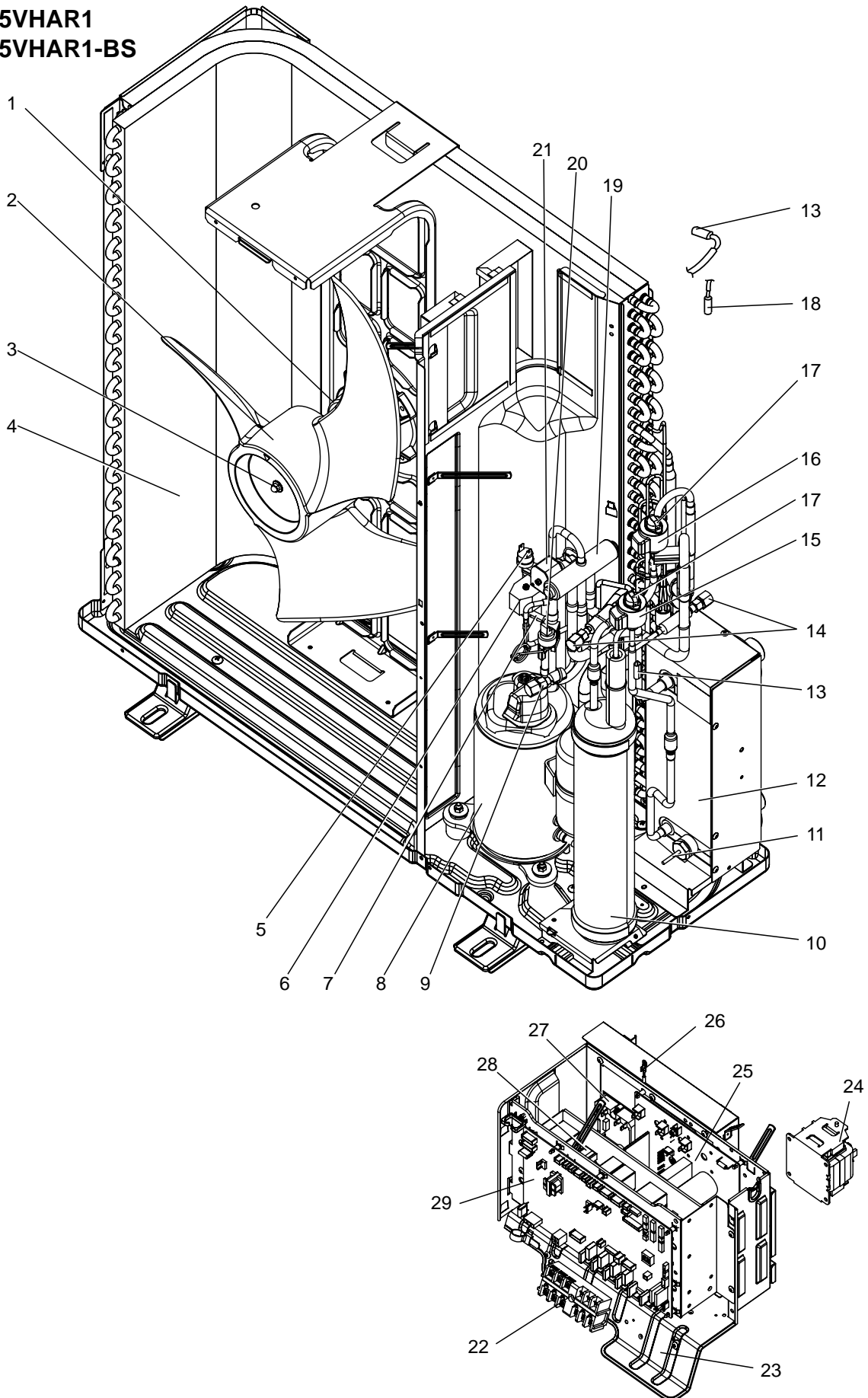
Part numbers that are circled are not shown in the figure.

No.	RoHS	Part No.	Part Name	Specification	Q'ty/unit				Remarks (Drawing No.)	Wiring Diagram Symbol	Recom- mended Q'ty
					PUHZ-W50VHA	PUHZ-W50VHAR1	PUHZ-W50VHA-BS	PUHZ-W50VHAR1-BS			
1	G	T7W E27 763	FAN MOTOR		1	1	1	1		MF1	
2	G	R01 E12 115	PROPELLER FAN		1	1	1	1			
3	G	R01 E09 097	NUT		1	1	1	1			
4	G	T7W E50 408	HEAT EXCHANGER		1		1				
	G	T7W E66 408	HEAT EXCHANGER			1		1			
5	G	R01 E06 208	HIGH PRESSURE SWITCH		1	1	1	1		63H	
6	G	T7W E52 242	BYPASS VALVE COIL		1	1	1	1		SV	
7	G	R01 E15 428	BYPASS VALVE		1	1	1	1			
8	G	T92 575 280	COMPRESSOR	SNB130FGCM	1	1	1	1	With RUBBER MOUNTS	MC	
9	G	R01 E24 413	CHARGE PLUG		1	1	1	1			
10	G	T7W E17 440	RECEIVER		1		1				
	G	T7W E24 440	RECEIVER			1		1			
11	G	T7W E19 202	THERMISTOR (INLET WATER)		1	1	1	1		TH32	
12	G	T7W E51 408	PLATE HEAT EXCHANGER	ACH30-30	1	1					
		T7W E55 408	PLATE HEAT EXCHANGER	ACH30-30			1	1			
13	G	T7W E58 202	THERMISTOR (PLATE HEX LIQUID, AMBIENT)		1	1	1	1		TH6/TH7	
14	G	R01 E25 413	CHARGE PLUG		2	2	2	2			
15	G	R01 E49 242	LEV COIL	Connector: Red	1	1	1	1		LEV-B	
16	G	T7W E50 242	LEV COIL	Connector: White	1					LEV-A	
	G	R01 E91 242	LEV COIL	Connector: White		1	1	1		LEV-A	
17	G	R01 H22 401	LEV		2	2	2	2			
18	G	R01 N03 202	THERMISTOR (OUTDOOR PIPE)		1	1	1	1		TH3	
19	G	R01 E29 403	4 WAY VALVE		1	1	1	1			
20	G	R01 E07 208	HIGH PRESSURE SENSOR		1	1	1	1		63HS	
21	G	T7W E39 242	4 WAY VALVE COIL		1	1	1	1		21S4	
22	G	T7W E29 716	TERMINAL BLOCK	6P (L, N, ⊕, S1, S2, S3)	1	1	1	1		TB1	
23	G	—	ELECTRICAL PARTS BOX		1	1	1	1	(BK00B055G65)		
24	G	R01 E33 259	REACTOR		1	1	1	1		ACL	
25	G	T7W E53 313	POWER CIRCUIT BOARD		1	1	1	1		P.B.	
26	G	R01 E99 202	THERMISTOR (HEATSINK)		1	1	1	1		TH8	
27	G	T7W E21 346	NOISE FILTER CIRCUIT BOARD		1	1	1	1		N.F.	
28	G	T7W E76 315	CONTROLLER CIRCUIT BOARD		1		1			C.B.	
	G	T7W F13 315	CONTROLLER CIRCUIT BOARD			1		1		C.B.	
29	G	T7W E06 201	THERMISTOR (DISCHARGE)		1					TH4	
	G	R01 E26 201	THERMISTOR (DISCHARGE)			1	1	1		TH4	
30	G	—	HEATSINK		1	1	1	1	(BK11C116H14)		
31	G	R01 E06 239	FUSE	250 V 6.3 A	4	4	4	4		F1, 2, 3, 4	
32	G	T7W E07 201	THERMISTOR (COMP. SHELL)		1	1	1	1		TH33	

RoHS PARTS LIST

FUNCTIONAL AND ELECTRICAL PARTS

PUHZ-W85VHA
PUHZ-W85VHA-BS
PUHZ-W85VHAR1
PUHZ-W85VHAR1-BS



RoHS PARTS LIST

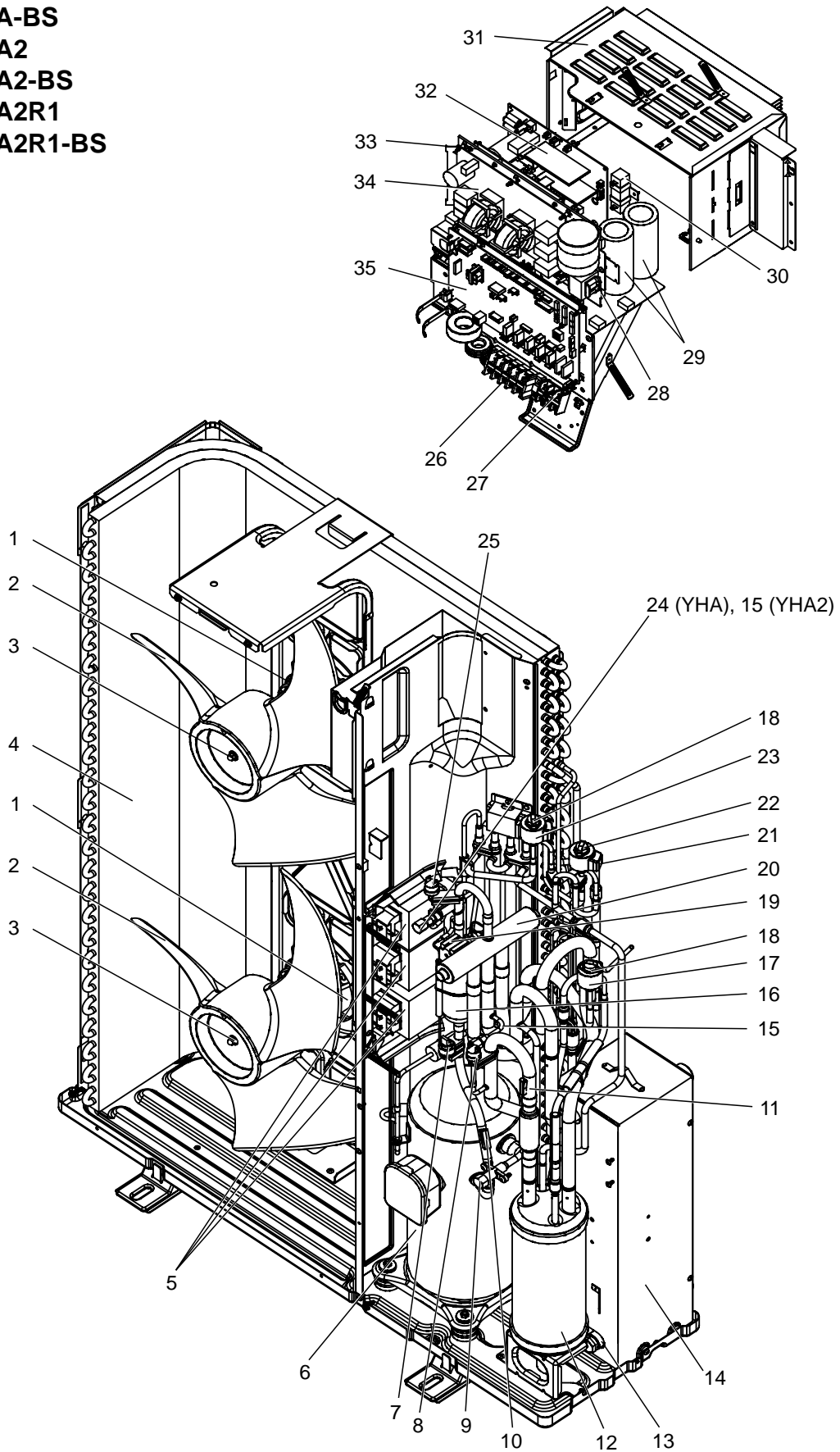
Part numbers that are circled are not shown in the figure.

No.	RoHS	Part No.	Part Name	Specification	Q'ty/unit				Remarks (Drawing No.)	Wiring Diagram Symbol	Recom- mended Q'ty
					PUHZ-W85VHA	PUHZ-85VHAR1	PUHZ-W85VHA-BS	PUHZ-W85VHAR1-BS			
1	G	T7W E27 763	FAN MOTOR		1	1	1	1		MF1	
2	G	R01 E12 115	PROPELLER FAN		1	1	1	1			
3	G	R01 E09 097	NUT		1	1	1	1			
4	G	T7W E47 408	HEAT EXCHANGER		1	1	1	1			
5	G	R01 E06 208	HIGH PRESSURE SWITCH		1	1	1	1		63H	
6	G	T7W E37 242	BYPASS VALVE COIL		1	1	1	1		SV	
7	G	R01 E15 428	BYPASS VALVE		1	1	1	1			
8	G	T92 502 801	COMPRESSOR	TNB220FLHM1	1	1	1	1	With RUBBER MOUNTS	MC	
9	G	R01 E24 413	CHARGE PLUG		1	1	1	1			
10	G	T7W E15 440	RECEIVER		1	1	1	1			
11	G	T7W E19 202	THERMISTOR (INLET WATER)		1	1	1	1		TH32	
12	G	T7W E48 408	PLATE HEAT EXCHANGER	ACH30-40	1	1					
		T7W E56 408	PLATE HEAT EXCHANGER	ACH30-40			1	1			
13	G	R01 E94 202	THERMISTOR (PLATE HEX LIQUID, AMBIENT)		1	1	1	1		TH6/TH7	
14	G	R01 E25 413	CHARGE PLUG		2	2	2	2			
15	G	R01 E49 242	LEV COIL	Connector: Red	1	1	1	1		LEV-B	
16	G	T7W E50 242	LEV COIL	Connector: White	1					LEV-A	
	G	R01 E91 242	LEV COIL	Connector: White		1	1	1		LEV-A	
17	G	R01 H22 401	LEV		2	2	2	2			
18	G	R01 N03 202	THERMISTOR (OUTDOOR PIPE)		1	1	1	1		TH3	
19	G	R01 E13 403	4 WAY VALVE		1	1	1	1			
20	G	R01 E07 208	HIGH PRESSURE SENSOR		1	1	1	1		63HS	
21	G	T7W E29 242	4 WAY VALVE COIL		1	1	1	1		21S4	
22	G	T7W E29 716	TERMINAL BLOCK	6P (L, N, \ominus , S1, S2, S3)	1	1	1	1		TB1	
23	G	—	ELECTRICAL PARTS BOX		1	1	1	1	(BK00B055G64)		
24	G	T7W E17 259	REACTOR		1	1	1	1		DCL	
25	G	T7W E49 313	POWER CIRCUIT BOARD		1	1	1	1		P.B.	
26	G	R01 E99 202	THERMISTOR (HEATSINK)		1	1	1	1		TH8	
27	G	T7W E03 233	ACTIVE FILTER MODULE		1	1	1	1		ACTM	
28	G	R01 E18 346	NOISE FILTER CIRCUIT BOARD		1	1	1	1		N.F.	
29	G	T7W E68 315	CONTROLLER CIRCUIT BOARD		1		1			C.B.	
	G	T7W E79 315	CONTROLLER CIRCUIT BOARD			1		1		C.B.	
30	G	R01 E09 201	THERMISTOR (DISCHARGE)		1		1			TH4	
	G	T7W E08 201	THERMISTOR (DISCHARGE)			1		1		TH4	
31	G	—	HEATSINK		1	1	1	1	(BK11B272H04)		
32	G	R01 E06 239	FUSE	250 V 6.3 A	4	4	4	4		F1, 2, 3, 4	
33	G	T7W E09 201	THERMISTOR (COMP.SHELL)			1		1		TH33	

RoHS PARTS LIST

FUNCTIONAL AND ELECTRICAL PARTS

PUHZ-HW112YHA
PUHZ-HW112YHA-BS
PUHZ-HW112YHA2
PUHZ-HW112YHA2-BS
PUHZ-HW112YHA2R1
PUHZ-HW112YHA2R1-BS



RoHS PARTS LIST

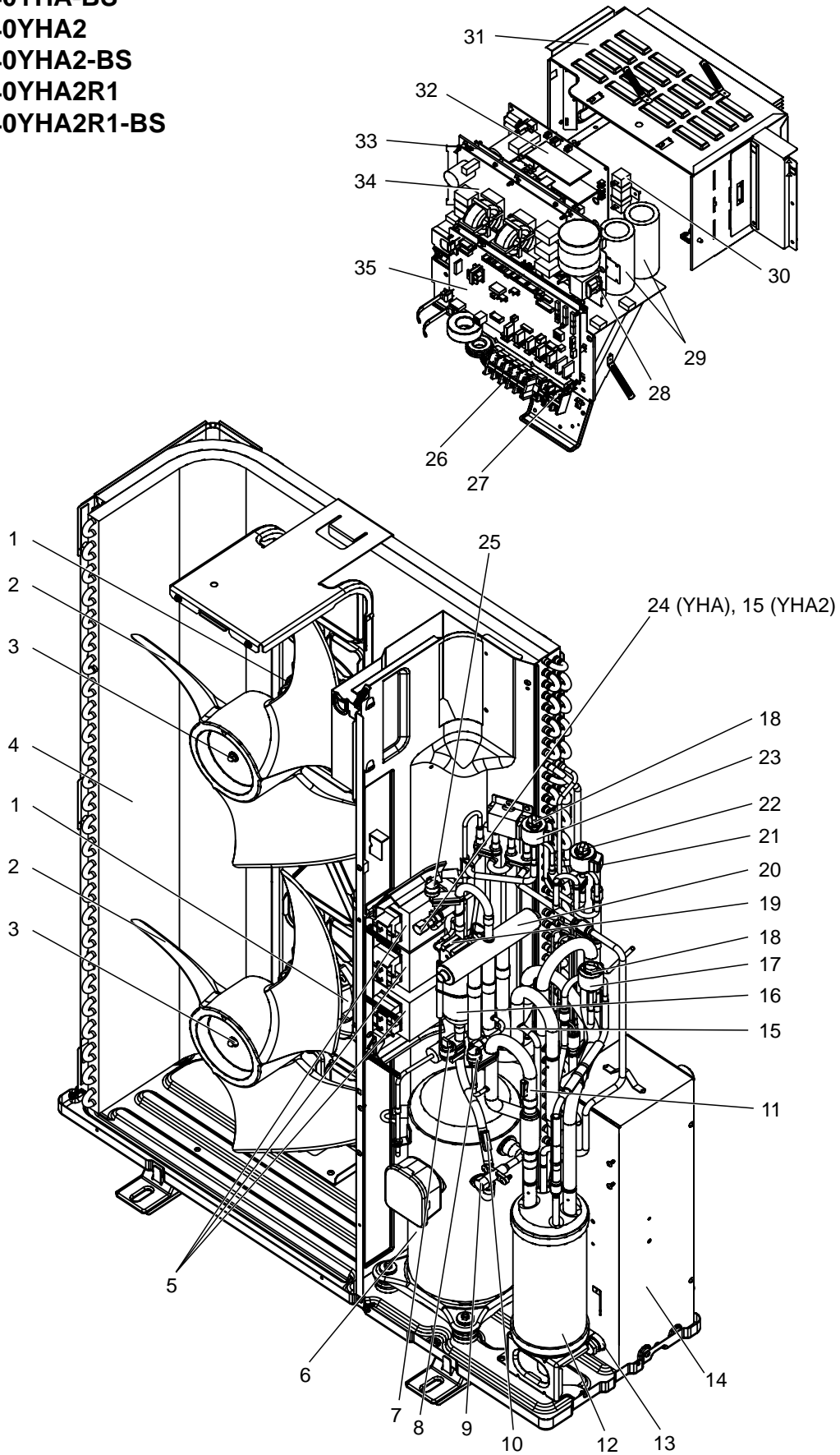
Part numbers that are circled are not shown in the figure.

No.	RoHS	Part No.	Part Name	Specification	Q'ty/unit			Remarks (Drawing No.)	Wiring Diagram Symbol	Recom- mended Q'ty
					PUHZ-HW112YHA PUHZ-HW112YHA-BS	PUHZ-HW112YHA2 PUHZ-HW112YHA2-BS	PUHZ-HW112YHA2R1 PUHZ-HW112YHA2R1-BS			
1	G	R01 E50 221	FAN MOTOR		2	2	2		MF1,2	
2	G	R01 E12 115	PROPELLER FAN		2	2	2			
3	G	R01 E09 097	NUT		2	2	2			
4	G	T7W E52 408	HEAT EXCHANGER		1					
	G	T7W E63 408	HEAT EXCHANGER			1	1			
5	G	T7W E12 259	REACTOR		3	3	3		ACL1,2,3	
6	G	T97 415 761	COMPRESSOR	ANB33FJFMT	1	1	1	with RUBBER MOUNTS	MC	
7	G	R01 E07 208	HIGH PRESSURE SENSOR		1	1	1		63HS	
8	G	R01 E00 209	LOW PRESSURE SWITCH		1	1	1		63L	
9	G	R01 E10 411	STOP VALVE 1/4		1	1	1			
10	G	T7W E04 201	THERMISTOR (DISCHARGE)		1				TH4	
	G	R01 E22 201	THERMISTOR (DISCHARGE)			1	1		TH4	
11	G	T7W E52 202	THERMISTOR (SUCTION)		1	1			TH33	
	G	R01 H79 202	THERMISTOR (SUCTION)				1		TH33	
12	G	T7W E18 440	POWER RECEIVER		1	1				
	G	R01 E61 440	POWER RECEIVER				1			
13	G	T7W E57 202	THERMISTOR (INLET WATER)		1	1			TH32	
	G	R01 H85 202	THERMISTOR (INLET WATER)				1		TH32	
14	G	T7W E53 408	PLATE HEAT EXCHANGER		1					
	G	T7W E62 408	PLATE HEAT EXCHANGER			1				
	G	R01 H24 408	PLATE HEAT EXCHANGER				1			
15	G	R01 E24 413	CHARGE PLUG		1	2	2			
16	G	R01 E10 467	MUFFLER		1					
17	G	R01 E49 242	LEV COIL		1	1	1	Connector RED	LEV-B	
	G	R01 H20 401	LEV		2			Coil LEV-A,B		
18	G	T7W E27 401	LEV			2	2			
	G	T7W E29 242	4 WAY VALVE COIL		1	1	1		21S4	
20	G	R01 E32 403	4 WAY VALVE		1					
	G	R01 E15 403	4 WAY VALVE			1	1			
21	G	R01 E68 242	LEV COIL		1	1	1	Connector BLUE	LEV-C	
22	G	R01 H22 401	LEV		1	1	1	Coil LEV-C		
23	G	R01 E50 242	LEV COIL		1	1	1	Connector WHITE	LEV-A	
24	G	R01 E25 413	CHARGE PLUG		1					
25	G	R01 E06 208	HIGH PRESSURE SWITCH		1	1			63H	
	G	T7W E07 208	HIGH PRESSURE SWITCH				1		63H	
26	G	T7W E30 716	TERMINAL BLOCK	5P	1	1	1	L1,L2,L3,N,⊕	TB1	
27	G	R01 E18 246	TERMINAL BLOCK	3P	1	1	1	S1,S2,S3	TB2	
28	G	R01 E31 259	REACTOR		1	1	1		ACL4	
29	G	R01 E02 254	MAIN SMOOTHING CAPACITOR		2	2	2		CB1,2	
30	G	R01 E10 233	RESISTOR		1	1	1		RS	
31	G	—	ELECTRICAL PARTS BOX		1	1	1	(BK00C410G12)		
32	G	T7W E50 313	POWER BOARD		1				P.B.	
	G	T7W E60 313	POWER BOARD			1	1		P.B.	
33	G	T7W E75 310	CONVERTER BOARD		1	1	1		CONV.B	
34	G	T7W E23 346	NOISE FILTER		1	1	1		N.F	
35	G	T7W E72 315	CONTROLLER BOARD		1				C.B	
	G	T7W E88 315	CONTROLLER BOARD			1			C.B	
	G	R01 F28 310	CONTROLLER BOARD				1		C.B	
36	G	R01 H00 202	THERMISTOR (LIQUID)		1	1	1		TH3	
37	G	T7W E58 202	THERMISTOR (PLATE HEX LIQUID, AMBIENT)		1	1	1		TH6/7	
38	G	T7W E10 254	CAPACITOR		1				CK	
	G	T7W E11 254	CAPACITOR			1	1		CK	
39	G	R01 E06 239	FUSE	250 V 6.3 A	4				F1,2,3,4	
	G	R01 E14 239	FUSE	250 V 6.3 A		4	4		F1,2,3,4	

RoHS PARTS LIST

FUNCTIONAL AND ELECTRICAL PARTS

PUIZ-HW140YHA
 PUIZ-HW140YHA-BS
 PUIZ-HW140YHA2
 PUIZ-HW140YHA2-BS
 PUIZ-HW140YHA2R1
 PUIZ-HW140YHA2R1-BS



RoHS PARTS LIST

No.	RoHS	Part No.	Part Name	Specification	Q'ty/unit			Remarks (Drawing No.)	Wiring Diagram Symbol	Recom- mended Q'ty
					PUHZ-HW140YHA PUHZ-HW140YHA-BS	PUHZ-HW140YHA2 PUHZ-HW140YHA2-BS	PUHZ-HW140YHA2R1 PUHZ-HW140YHA2R1-BS			
1	G	R01 E50 221	FAN MOTOR		2	2	2		MF1,2	
2	G	R01 E12 115	PROPELLER FAN		2	2	2			
3	G	R01 E09 097	NUT		2	2	2			
4	G	T7W E52 408	HEAT EXCHANGER		1					
	G	T7W E63 408	HEAT EXCHANGER			1	1			
5	G	T7W E12 259	REACTOR		3	3	3		ACL1,2,3	
6	G	T97 415 761	COMPRESSOR	ANB33FJFMT	1			with RUBBER MOUNTS	MC	
		T97 415 781	COMPRESSOR	ANB42FJFMT		1	1		MC	
7	G	R01 E07 208	HIGH PRESSURE SENSOR		1	1	1		63HS	
8	G	R01 E00 209	LOW PRESSURE SWITCH		1	1	1		63L	
9	G	R01 E10 411	STOP VALVE 1/4		1	1	1			
10	G	T7W E04 201	THERMISTOR (DISCHARGE)		1				TH4	
	G	R01 E22 201	THERMISTOR (DISCHARGE)			1	1		TH4	
11	G	T7W E52 202	THERMISTOR (SUCTION)		1	1			TH33	
	G	R01 H79 202	THERMISTOR (SUCTION)				1		TH33	
12	G	T7W E18 440	POWER RECEIVER		1	1				
	G	R01 E61 440	POWER RECEIVER				1			
13	G	T7W E57 202	THERMISTOR (INLET WATER)		1	1			TH32	
	G	R01 H85 202	THERMISTOR (INLET WATER)				1		TH32	
14	G	T7W E53 408	PLATE HEAT EXCHANGER		1					
	G	T7W E62 408	PLATE HEAT EXCHANGER			1				
	G	R01 H24 408	PLATE HEAT EXCHANGER				1			
15	G	R01 E24 413	CHARGE PLUG		1	2	2			
16	G	R01 E10 467	MUFFLER		1					
17	G	R01 E49 242	LEV COIL		1	1	1	Connector RED	LEV-B	
18	G	R01 H20 401	LEV		2			Coil LEV-A,B		
	G	T7W E27 401	LEV			2	2			
19	G	T7W E29 242	4 WAY VALVE COIL		1	1	1		21S4	
20	G	R01 E32 403	4 WAY VALVE		1					
	G	R01 E15 403	4 WAY VALVE			1	1			
21	G	R01 E68 242	LEV COIL		1	1	1	Connector BLUE	LEV-C	
22	G	R01 H22 401	LEV		1	1	1	Coil LEV-C		
23	G	R01 E50 242	LEV COIL		1	1	1	Connector WHITE	LEV-A	
24	G	R01 E25 413	CHARGE PLUG		1					
25	G	R01 E06 208	HIGH PRESSURE SWITCH		1	1			63H	
	G	T7W E07 208	HIGH PRESSURE SWITCH				1		63H	
26	G	T7W E30 716	TERMINAL BLOCK	5P	1	1	1	L1,L2,L3,N,⊕	TB1	
27	G	R01 E18 246	TERMINAL BLOCK	3P	1	1	1	S1,S2,S3	TB2	
28	G	R01 E31 259	REACTOR		1	1	1		ACL4	
29	G	R01 E02 254	MAIN SMOOTHING CAPACITOR		2	2	2		CB1,2	
30	G	R01 E10 233	RESISTOR		1	1	1		RS	
31	G	—	ELECTRICAL PARTS BOX		1	1	1	(BK00C410G12)		
32	G	T7W E50 313	POWER BOARD		1				P.B.	
	G	T7W E60 313	POWER BOARD			1	1		P.B.	
33	G	T7W E75 310	CONVERTER BOARD		1	1	1		CONV.B	
34	G	T7W E23 346	NOISE FILTER		1	1	1		N.F	
35	G	T7W E72 315	CONTROLLER BOARD		1				C.B	
	G	T7W E88 315	CONTROLLER BOARD			1			C.B	
	G	R01 F28 310	CONTROLLER BOARD				1		C.B	
③⑥	G	R01 H00 202	THERMISTOR (LIQUID)		1	1	1		TH3	
③⑦	G	T7W E58 202	THERMISTOR (PLATE HEX LIQUID, AMBIENT)		1	1	1		TH6/7	
③⑧	G	T7W E10 254	CAPACITOR		1				CK	
	G	T7W E11 254	CAPACITOR			1	1		CK	
③⑨	G	R01 E06 239	FUSE	250 V 6.3 A	4				F1,2,3,4	
	G	R01 E14 239	FUSE	250 V 6.3 A		4	4		F1,2,3,4	

RoHS PARTS LIST

FUNCTIONAL AND ELECTRICAL PARTS

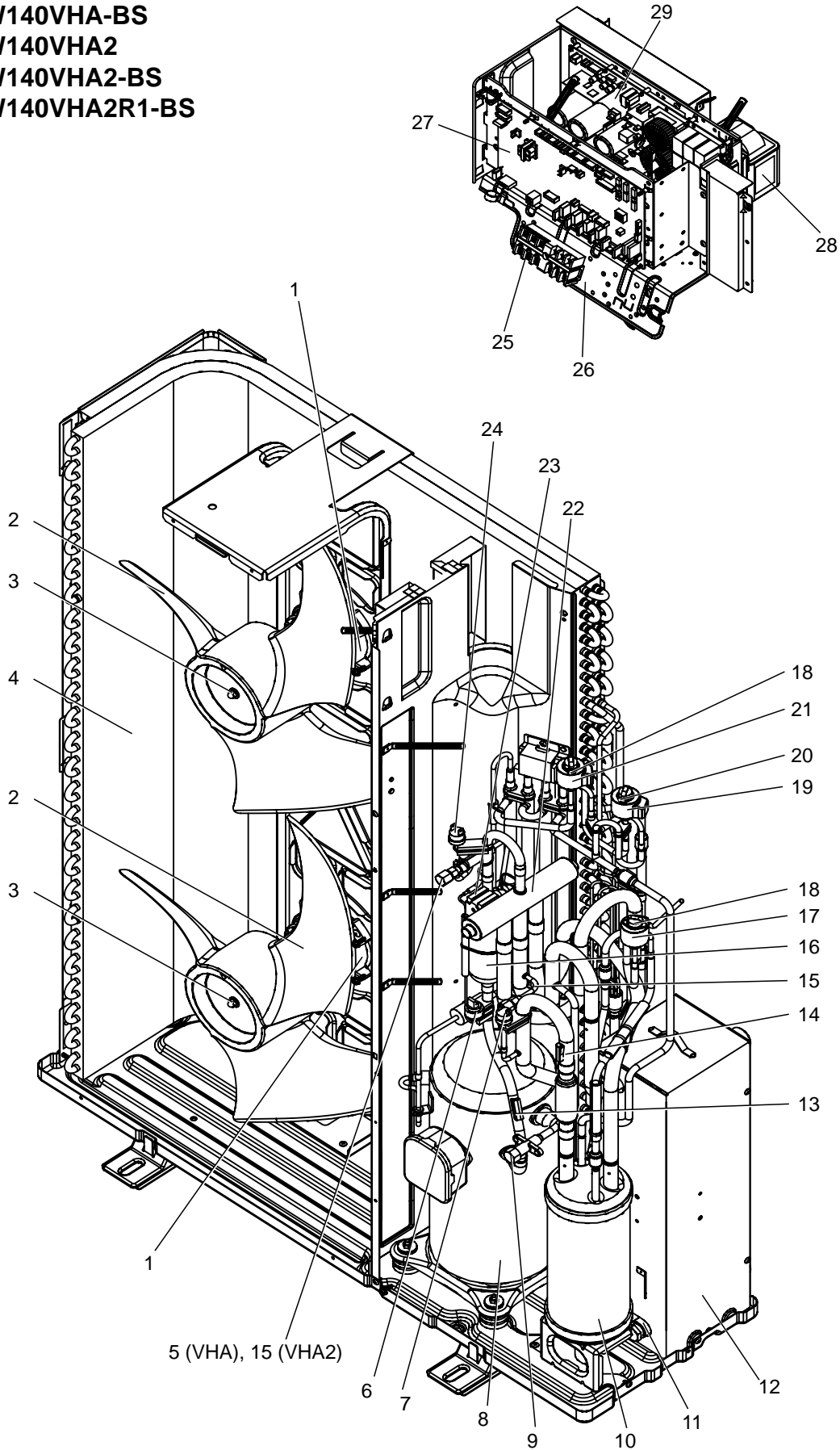
PUHZ-HW140VHA

PUHZ-HW140VHA-BS

PUHZ-HW140VHA2

PUHZ-HW140VHA2-BS

PUHZ-HW140VHA2R1-BS



RoHS PARTS LIST

Part numbers that are circled are not shown in the figure.

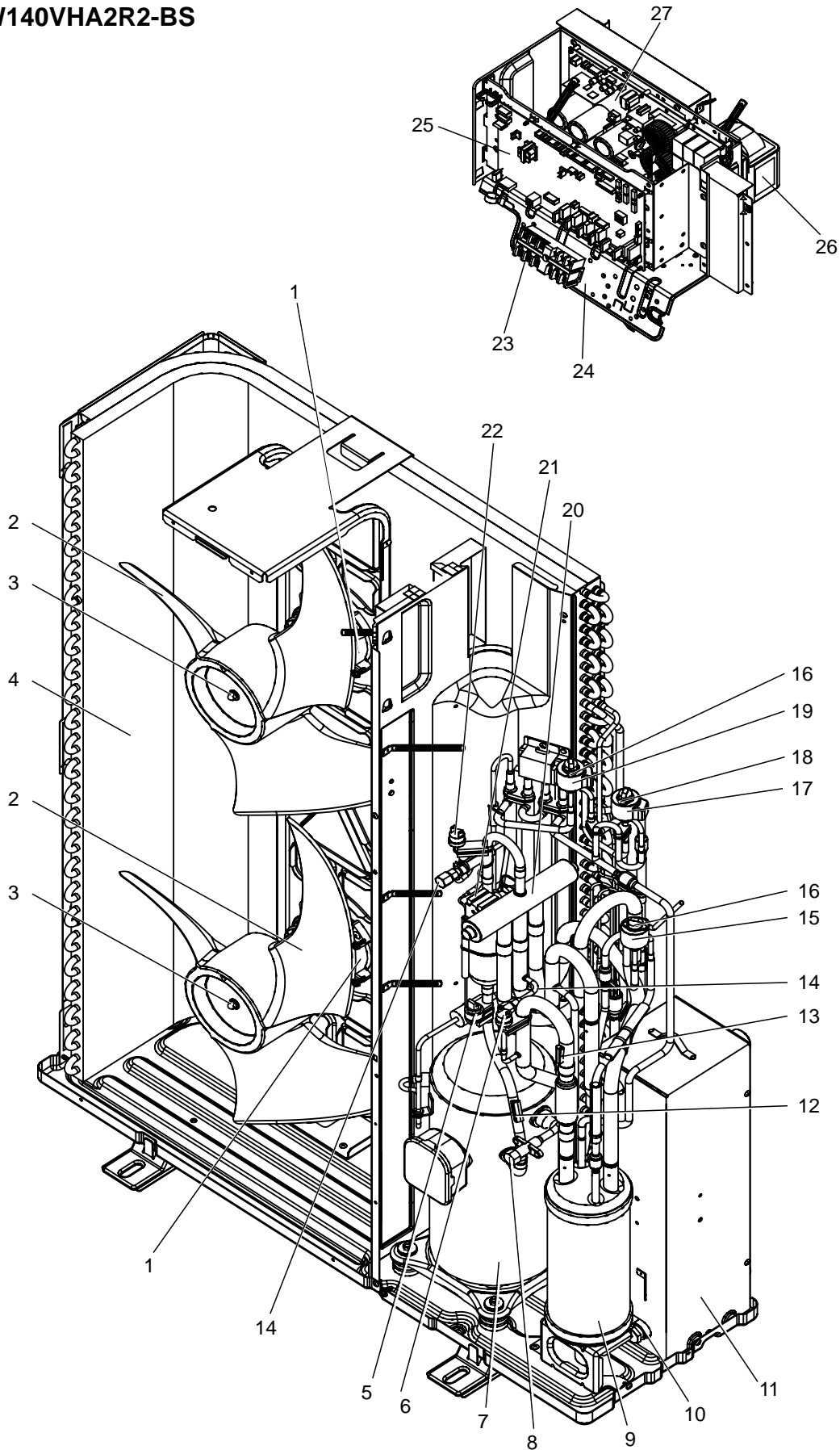
No.	RoHS	Part No.	Part Name	Specification	Q'ty/unit					Remarks (Drawing No.)	Wiring Diagram Symbol	Recom- mended Q'ty
					PUHZ-HW140VHA	PUHZ-HW140VHA-BS	PUHZ-HW140VHA2	PUHZ-HW140VHA2-BS	PUHZ-HW140VHA2R1-BS			
1	G	R01 E50 221	FAN MOTOR		2	2	2	2	2		MF1,2	
2	G	R01 E12 115	PROPELLER FAN		2	2	2	2	2			
3	G	R01 E09 097	NUT		2	2	2	2	2			
4	G	T7W E52 408	HEAT EXCHANGER		1	1						
		T7W E63 408	HEAT EXCHANGER				1	1	1			
5	G	R01 E25 413	CHARGE PLUG		1	1						
6	G	R01 E07 208	HIGH PRESSURE SENSOR		1	1	1	1	1		63HS	
7	G	R01 E00 209	LOW PRESSURE SWITCH		1	1	1	1	1		63L	
8	G	T97 415 762	COMPRESSOR	ANB33FJGMT	1	1				with RUBBER MOUNTS	MC	
		T97 415 780	COMPRESSOR	ANB42FJGMT			1	1	1		MC	
9	G	R01 E10 411	STOP VALVE 1/4		1	1	1	1	1			
10	G	R01 E61 440	POWER RECEIVER		1	1	1	1	1			
11	G	T7W E57 202	THERMISTOR (INLET WATER)		1	1	1	1	1		TH32	
12	G	T7W E53 408	PLATE HEAT EXCHANGER		1	1						
		T7W E62 408	PLATE HEAT EXCHANGER				1	1	1			
13	G	T7W E05 201	THERMISTOR(DISCHARGE)		1						TH4	
		R01 E22 201	THERMISTOR(DISCHARGE)			1	1	1	1		TH4	
14	G	T7W E52 202	THERMISTOR (SUCTION)		1	1	1	1	1		TH33	
15	G	R01 E24 413	CHARGE PLUG		1	1	2	2	2			
16	G	R01 E10 467	MUFFLER		1	1						
17	G	R01 E49 242	LEV COIL		1	1	1	1	1	Connector RED	LEV-B	
18	G	R01 H20 401	LEV		2	2				Coil LEV-A,B		
		T7W E27 401	LEV				2	2	2			
19	G	R01 E68 242	LEV COIL		1	1	1	1	1	Connector BLUE	LEV-C	
20	G	R01 H22 401	LEV		1	1	1	1	1	Coil LEV-C		
21	G	R01 E50 242	LEV COIL		1	1	1	1	1	Connector WHITE	LEV-A	
22	G	R01 E32 403	4 WAY VALVE		1	1						
		R01 E15 403	4 WAY VALVE				1	1	1			
23	G	T7W E41 242	4 WAY VALVE COIL		1	1	1	1	1		21S4	
24	G	R01 E06 208	HIGH PRESSURE SWITCH		1	1	1	1	1		63H	
25	G	T7W E29 716	TERMINAL BLOCK	6P	1	1	1	1	1	L,N,⊙,S1,S2,S3	TB1	
26	G	—	ELECTRICAL PARTS BOX		1	1	1	1	1	(BK00C681G17)		
27	G	T7W E73 315	CONTROLLER BOARD		1	1					C.B.	
		T7W E88 315	CONTROLLER BOARD				1	1			C.B.	
		T7W E98 315	CONTROLLER BOARD						1		C.B.	
28	G	T7W E18 259	REACTOR		1	1	1	1	1		DCL	
29	G	R01 E69 313	POWER BOARD		1	1	1	1	1		P.B.	
③⑩	G	R01 H00 202	THERMISTOR (LIQUID)		1	1	1	1	1		TH3	
③①	G	T7W E58 202	THERMISTOR (PLATE HEX LIQUID, AMBIENT)		1	1	1	1	1		TH6/7	
③②	G	R01 E20 254	MAIN SMOOTHING CAPACITOR		1	1	1	1	1		CB	
③③	G	R01 E06 239	FUSE	250 V 6.3 A	4	4					F1,2,3,4	
		R01 E14 239	FUSE	250 V 6.3 A			4	4	4		F1,2,3,4	

RoHS PARTS LIST

FUNCTIONAL AND ELECTRICAL PARTS

PUHZ-HW140VHA2R1

PUHZ-HW140VHA2R2-BS



RoHS PARTS LIST

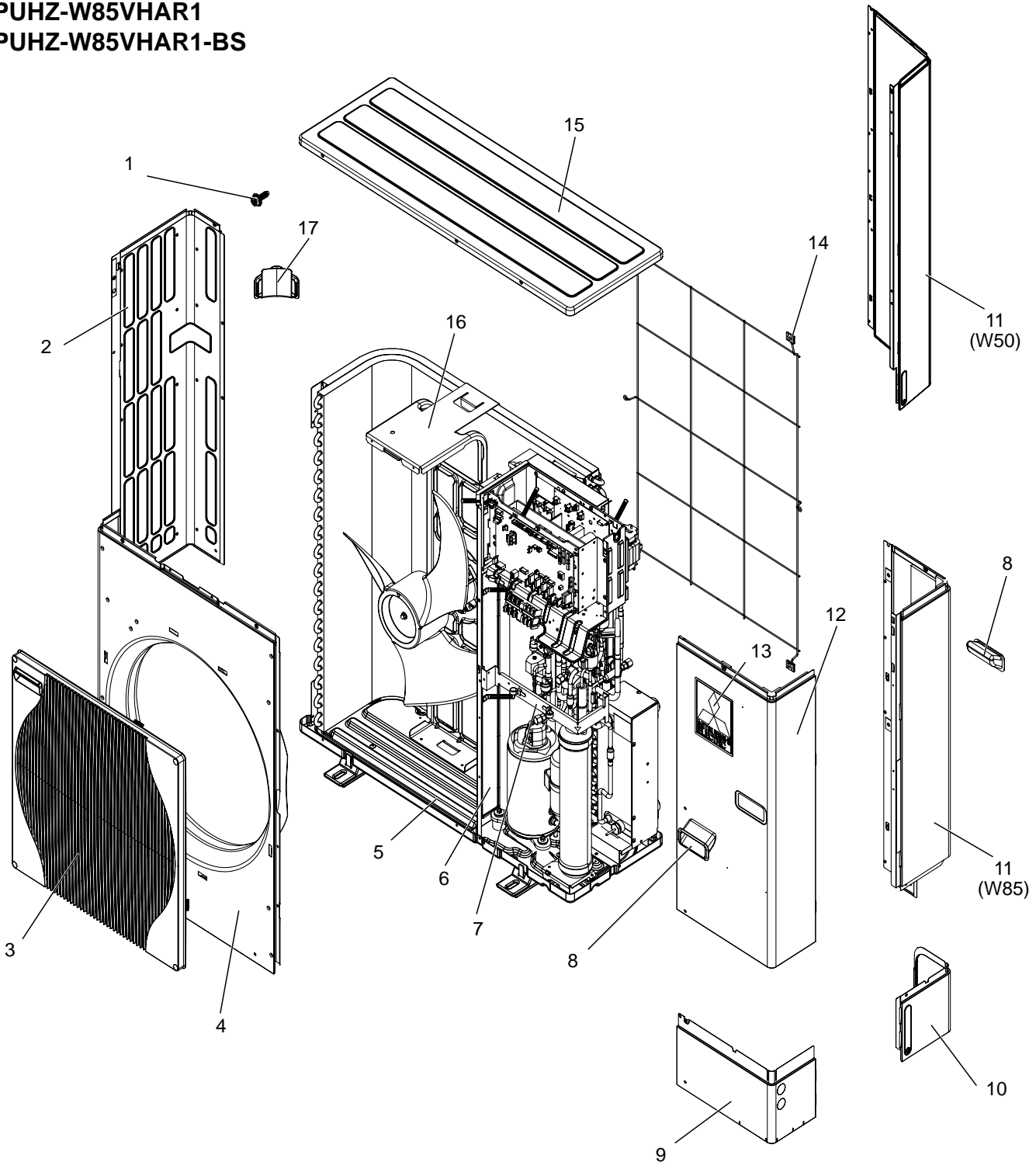
Part numbers that are circled are not shown in the figure.

No.	RoHS	Part No.	Part Name	Specification	Q'ty/unit		Remarks (Drawing No.)	Wiring Diagram Symbol	Recom- mended Q'ty
					PUHZ-HW140VHA2R1	PUHZ-HW140VHA2R2-BS			
1	G	R01 E50 221	FAN MOTOR		2	2		MF1,2	
2	G	R01 E12 115	PROPELLER FAN		2	2			
3	G	R01 E09 097	NUT		2	2			
4	G	T7W E63 408	HEAT EXCHANGER		1	1			
5	G	R01 E07 208	HIGH PRESSURE SENSOR		1	1		63HS	
6	G	R01 E00 209	LOW PRESSURE SWITCH		1	1		63L	
7	G	T97 415 780	COMPRESSOR	ANB42FJGMT	1	1	with RUBBER MOUNTS	MC	
8	G	R01 E10 411	STOP VALVE 1/4		1	1			
9	G	R01 E61 440	POWER RECEIVER		1	1			
10	G	R01 H85 202	THERMISTOR (INLET WATER)		1	1		TH32	
11	G	R01 H24 408	PLATE HEAT EXCHANGER		1	1			
12	G	R01 E22 201	THERMISTOR(DISCHARGE)		1	1		TH4	
13	G	R01 H79 202	THERMISTOR (SUCTION)		1	1		TH33	
14	G	R01 E24 413	CHARGE PLUG		2	2			
15	G	R01 E49 242	LEV COIL		1	1	Connector RED	LEV-B	
16	G	T7W E27 401	LEV		2	2	Coil LEV-A,B		
17	G	R01 E68 242	LEV COIL		1	1	Connector BLUE	LEV-C	
18	G	R01 H22 401	LEV		1	1	Coil LEV-C		
19	G	R01 E50 242	LEV COIL		1	1	Connector WHITE	LEV-A	
20	G	R01 E15 403	4 WAY VALVE		1	1			
21	G	T7W E41 242	4 WAY VALVE COIL		1	1		21S4	
22	G	T7W E07 208	HIGH PRESSURE SWITCH		1	1		63H	
23	G	T7W E29 716	TERMINAL BLOCK	6P	1	1	L,N,⊙,S1,S2,S3	TB1	
24	G	—	ELECTRICAL PARTS BOX		1	1	(BK00C681G20)		
25	G	R01 F28 310	CONTROLLER BOARD		1	1		C.B.	
26	G	T7W E18 259	REACTOR		1	1		DCL	
27	G	R01 E69 313	POWER BOARD		1	1		P.B.	
28	G	R01 H00 202	THERMISTOR (LIQUID)		1	1		TH3	
29	G	T7W E58 202	THERMISTOR (PLATE HEX LIQUID, AMBIENT)		1	1		TH6/7	
30	G	R01 E20 254	MAIN SMOOTHING CAPACITOR		1	1		CB	
31	G	R01 E14 239	FUSE	250 V 6.3 A	4	4		F1,2,3,4	

RoHS PARTS LIST

STRUCTURAL PARTS

PUHZ-W50VHA
PUHZ-W50VHA-BS
PUHZ-W50VHAR1
PUHZ-W50VHAR1-BS
PUHZ-W85VHA
PUHZ-W85VHA-BS
PUHZ-W85VHAR1
PUHZ-W85VHAR1-BS



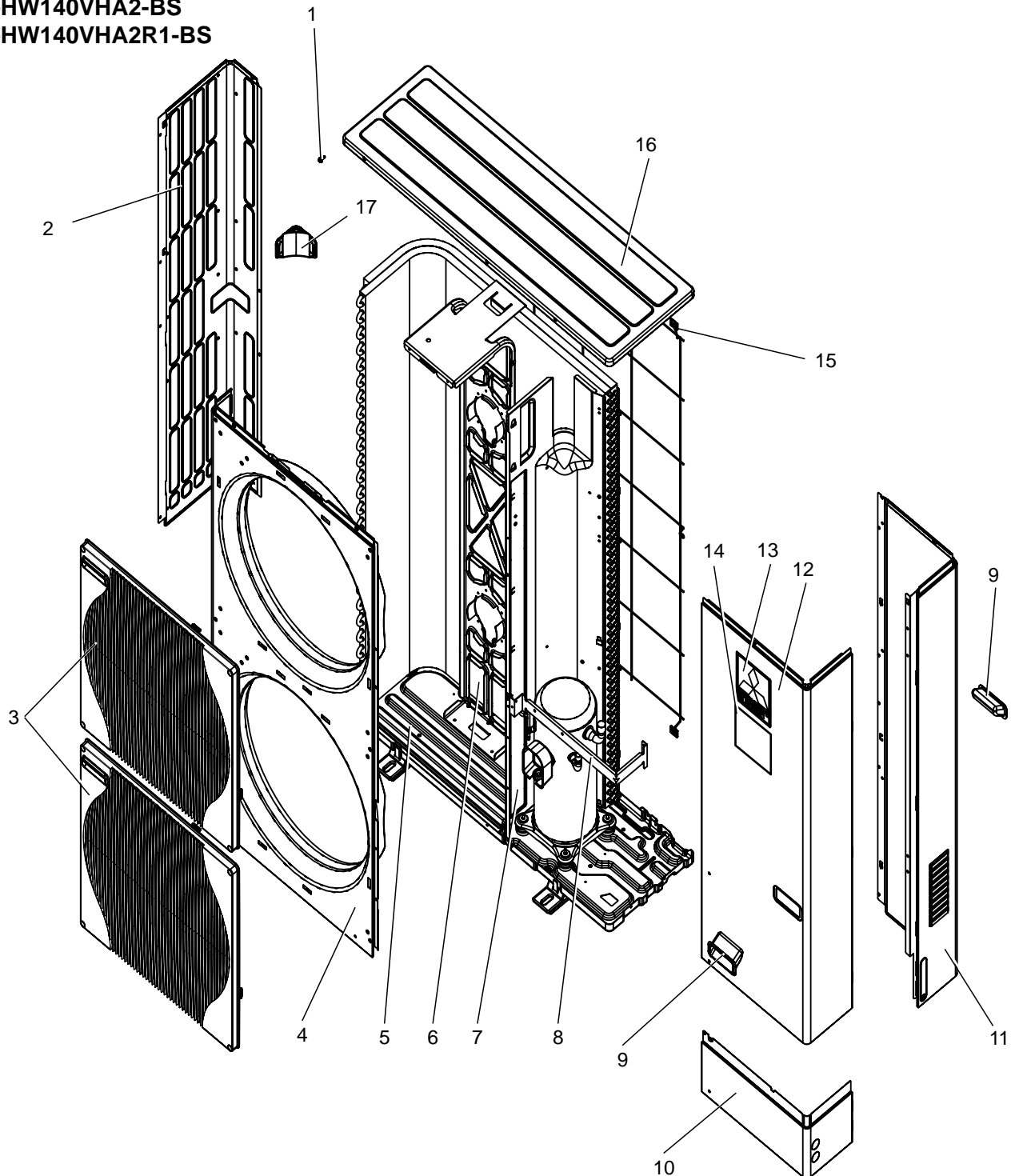
RoHS PARTS LIST

No.	RoHS	Part No.	Part Name	Specifi- cation	Q'ty/unit						Remarks (Drawing No.)	Wiring Diagram Symbol	Recom- mended Q'ty
					PUHZ-W50VHA	PUHZ-W50VHA-BS	PUHZ-W50VHAR1	PUHZ-W50VHAR1-BS	PUHZ-W85VHA PUHZ-W85VHAR1	PUHZ-W85VHA-BS PUHZ-W85VHAR1-BS			
1	G	—	F.ST SCREW (5 x 12)		29	29	29	29	29	29	(DG12F536H12)		
2	G	R01 E18 662	SIDE PANEL (L)		1		1						
		R01 E16 662	SIDE PANEL (L)						1				
		R01 E35 662	SIDE PANEL (L)			1		1					
		T7W E08 662	SIDE PANEL (L)							1			
3	G	R01 E33 691	FAN GRILLE		1	1	1	1	1	1			
4	G	R01 E12 668	FRONT PANEL		1		1						
		R01 E13 668	FRONT PANEL						1				
		R01 E15 668	FRONT PANEL							1			
		R01 E24 668	FRONT PANEL			1		1					
5	G	T7W E18 686	BASE ASSY		1		1						
		T7W E17 686	BASE ASSY						1				
		T7W E20 686	BASE ASSY			1		1					
		T7W E21 686	BASE ASSY							1			
6	G	—	SEPARATOR		1		1				(BK00C143GE0)		
		—	SEPARATOR			1		1			(BK00C143GF6)		
		—	SEPARATOR						1		(BK00C143GF9)		
		—	SEPARATOR							1	(BK00C143GG0)		
7	G	—	STAY		1		1		1		(BK00G125G07)		
		—	STAY			1		1		1	(BK00G125G09)		
8	G	R01 E01 655	HANDLE		2	2	2	2	2	2			
9	G	T7W E02 658	COVER PANEL (FRONT)		1		1		1				
		T7W E08 658	COVER PANEL (FRONT)			1		1		1			
10	G	T7W E01 658	COVER PANEL (REAR)						1				
		T7W E09 658	COVER PANEL (REAR)							1			
11	G	T7W E23 661	SIDE PANEL (R)		1		1						
		T7W E21 661	SIDE PANEL (R)						1				
		T7W E25 661	SIDE PANEL (R)			1		1					
		T7W E26 661	SIDE PANEL (R)							1			
12	G	T7W E11 667	SERVICE PANEL		1		1						
		T7W E07 668	SERVICE PANEL						1				
		T7W E17 667	SERVICE PANEL			1		1					
		T7W E18 668	SERVICE PANEL							1			
13	G	—	LABEL (MITSUBISHI)		1	1	1	1	1	1	(DG79R130H03)		
14	G	R01 E09 698	REAR GUARD		1	1	1	1					
		R01 E06 698	REAR GUARD						1	1			
15	G	R01 E14 641	TOP PANEL		1		1		1				
		R01 E29 641	TOP PANEL			1		1		1			
16	G	R01 E34 130	MOTOR SUPPORT		1		1						
		R01 E30 130	MOTOR SUPPORT						1				
		T7W E15 130	MOTOR SUPPORT			1		1					
		R01 E12 130	MOTOR SUPPORT							1			
17	G	R01 E02 655	HANDLE		1	1	1	1	1	1			

RoHS PARTS LIST

STRUCTURAL PARTS

- PUHZ-HW112YHA
- PUHZ-HW112YHA-BS
- PUHZ-HW112YHA2
- PUHZ-HW112YHA2-BS
- PUHZ-HW140YHA
- PUHZ-HW140YHA-BS
- PUHZ-HW140VHA
- PUHZ-HW140VHA-BS
- PUHZ-HW140YHA2
- PUHZ-HW140YHA2-BS
- PUHZ-HW140VHA2
- PUHZ-HW140VHA2-BS
- PUHZ-HW140VHA2R1-BS



RoHS PARTS LIST

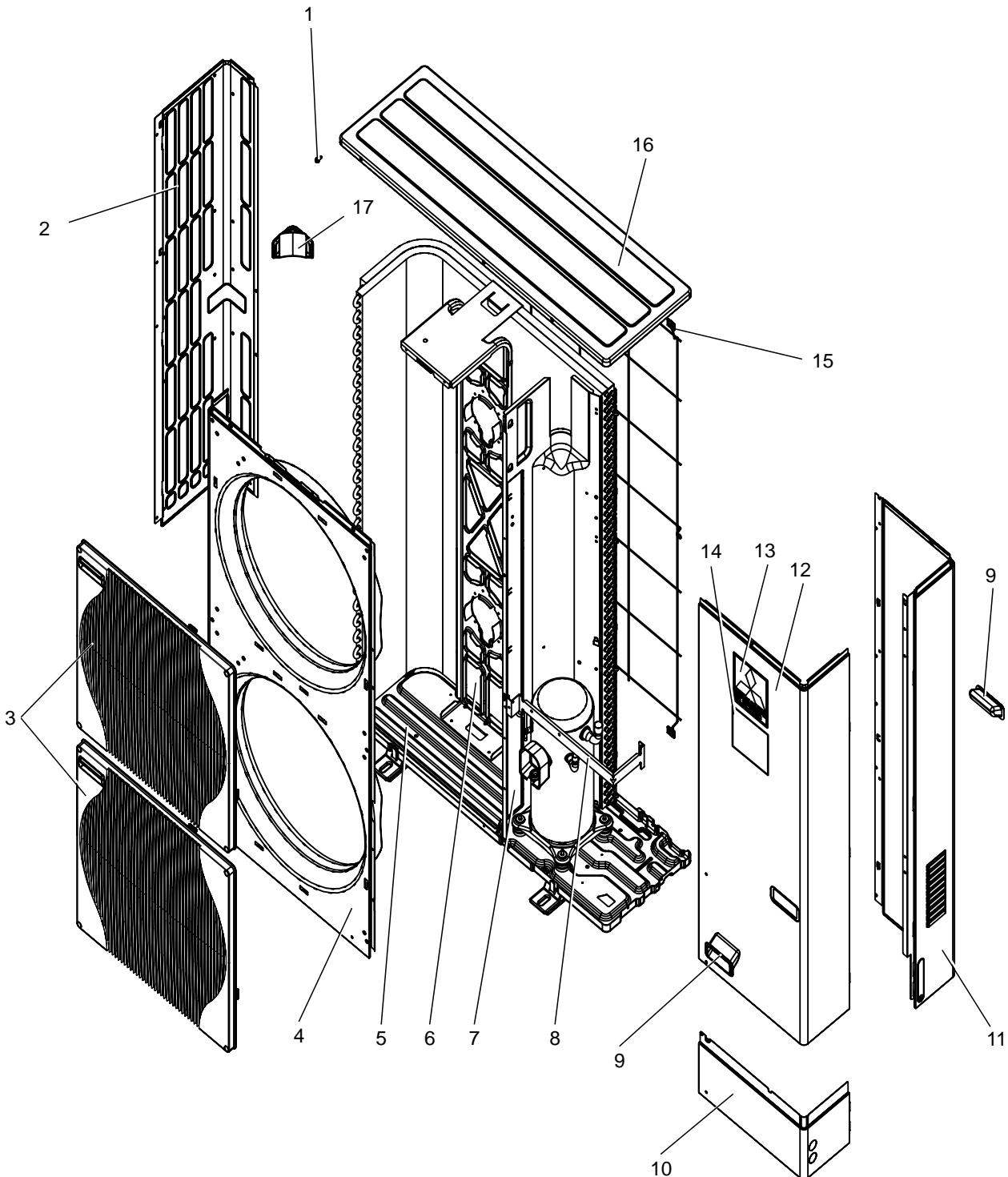
No.	RoHS	Part No.	Part Name	Specification	Q'ty/unit					Remarks (Drawing No.)	Wiring Diagram Symbol	Recom- mended Q'ty
					PUHZ-HW140VHA PUHZ-HW140VHA2	PUHZ-HW112YHA PUHZ-HW112YHA2	PUHZ-HW140YHA PUHZ-HW140YHA2	PUHZ-HW140VHA-BS PUHZ-HW140VHA2-BS	PUHZ-HW112YHA-BS PUHZ-HW112YHA2-BS			
1	G	—	F.ST SCREW	(5 × 12)	36	36	36	36	36	(DG12F536H12)		
2	G	R01 E20 662	SIDE PANEL (L)		1	1						
		T7W E09 662	SIDE PANEL (L)				1	1	1			
3	G	R01 E33 691	FAN GRILLE		2	2	2	2	2			
4	G	R01 E14 668	FRONT PANEL		1	1						
		R01 E16 668	FRONT PANEL				1	1	1			
5	G	T7W E19 686	BASE ASSY		1	1						
		T7W E23 686	BASE ASSY				1	1	1			
6	G	R01 E27 130	MOTOR SUPPORT		1	1						
		R01 E19 130	MOTOR SUPPORT				1	1	1			
7	G	—	SEPARATOR		1					(BK00C143GG7)		
		—	SEPARATOR			1				(BK00C409G27)		
		—	SEPARATOR				1		1	(BK00C143GG8)		
		—	SEPARATOR					1		(BK00C409G29)		
8	G	—	STAY		1	1				(BK00G125G11)		
		—	STAY				1	1	1	(BK00G125G12)		
9	G	R01 E01 655	HANDLE		2	2	2	2	2			
10	G	T7W E03 658	COVER PANEL (FRONT)		1	1						
		T7W E10 658	COVER PANEL (FRONT)				1	1	1			
11	G	T7W E24 661	SIDE PANEL (R)		1	1						
		T7W E27 661	SIDE PANEL (R)				1	1	1			
12	G	T7W E12 667	SERVICE PANEL		1	1						
		T7W E19 667	SERVICE PANEL				1	1	1			
13	G	—	LABEL (MITSUBISHI)		1	1	1	1	1	(DG79R130H03)		
14	G	—	LABEL (BRAND)	*1	1	1	1	1	1	(BH79D164H01)		
15	G	R01 E07 698	REAR GUARD		1	1	1	1	1			
16	G	T7W E08 641	TOP PANEL		1							
		T7W E07 641	TOP PANEL			1						
		T7W E09 641	TOP PANEL				1		1			
		T7W E10 641	TOP PANEL					1				
17	G	R01 E02 655	HANDLE		1	1	1	1	1			

*1 V/YHA2 Type only

RoHS PARTS LIST

STRUCTURAL PARTS

PUHZ-HW112YHA2R1
PUHZ-HW112YHA2R1-BS
PUHZ-HW140YHA2R1
PUHZ-HW140YHA2R1-BS
PUHZ-HW140VHA2R1
PUHZ-HW140VHA2R2-BS



RoHS PARTS LIST

No.	RoHS	Part No.	Part Name	Specification	Q'ty/unit				Remarks (Drawing No.)	Wiring Diagram Symbol	Recom- mended Q'ty
					PUHZ-HW140VHA2R1	PUHZ-HW112YHA2R1 PUHZ-HW140YHA2R1	PUHZ-HW140VHA2R2-BS	PUHZ-HW112YHA2R1-BS PUHZ-HW140YHA2R1-BS			
1	G	—	F.ST SCREW	(5 × 12)	36	36	36	36	(DG12F536H12)		
2	G	R01 E20 662	SIDE PANEL (L)		1	1					
		T7W E09 662	SIDE PANEL (L)				1	1			
3	G	R01 E33 691	FAN GRILLE		2	2	2	2			
4	G	R01 E20 668	FRONT PANEL		1	1					
		R01 E16 668	FRONT PANEL				1	1			
5	G	T7W E19 686	BASE ASSY		1	1					
		T7W E23 686	BASE ASSY				1	1			
6	G	R01 E27 130	MOTOR SUPPORT		1	1					
		R01 E19 130	MOTOR SUPPORT				1	1			
7	G	—	SEPARATOR		1				(BK00C143GG7)		
		—	SEPARATOR			1			(BK00C409G27)		
		—	SEPARATOR				1		(BK00C143GG8)		
		—	SEPARATOR					1	(BK00C409G29)		
8	G	—	STAY		1	1			(BK00G125G11)		
		—	STAY				1	1	(BK00G125G12)		
9	G	R01 E01 655	HANDLE		2	2	2	2			
10	G	T7W E03 658	COVER PANEL (FRONT)		1	1					
		T7W E10 658	COVER PANEL (FRONT)				1	1			
11	G	T7W E24 661	SIDE PANEL (R)		1	1					
		T7W E27 661	SIDE PANEL (R)				1	1			
12	G	T7W E12 667	SERVICE PANEL		1	1					
		T7W E19 667	SERVICE PANEL				1	1			
13	G	—	LABEL (MITSUBISHI)		1	1	1	1	(DG79R130H03)		
14	G	—	LABEL (BRAND)		1	1	1	1	(BH79D164H01)		
15	G	R01 E07 698	REAR GUARD		1	1	1	1			
16	G	T7W E08 641	TOP PANEL		1						
		T7W E07 641	TOP PANEL			1					
		T7W E09 641	TOP PANEL				1				
		T7W E10 641	TOP PANEL					1			
17	G	R01 E02 655	HANDLE		1	1	1	1			

2-1. AIR OUTLET GUIDE (HW112,140 need 2 pieces.)

Part No.	PAC-SG59SG-E
----------	--------------

2-2. AIR GUIDE (HW112,140 need 2 pieces.)

Part No.	PAC-SG57AG-E
----------	--------------

2-3. DRAIN SOCKET

Part No.	PAC-SG61DS-E
----------	--------------

2-4. DRAIN PAN (Only for W50,85)

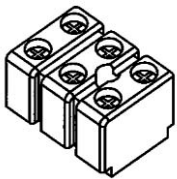
Part No.	PAC-SG64DP-E
----------	--------------

2-5. CONNECTOR FOR DRAIN HOSE HEATER

Part No.	PAC-SE60RA-E
----------	--------------

Contents

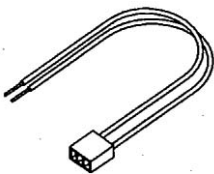
① Terminal block ×1



② Screw ×1

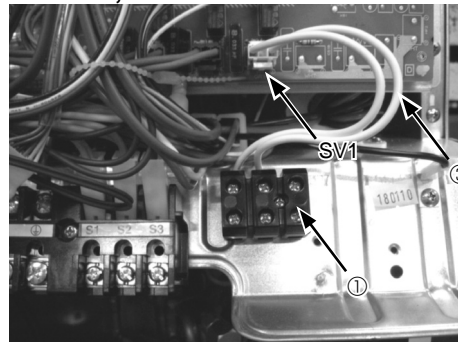


③ Lead wire with connector ×1

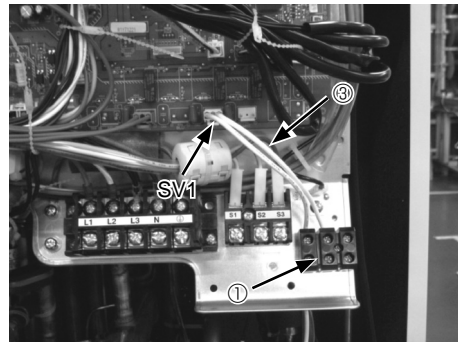


Installation

●W50/85, HW140Y



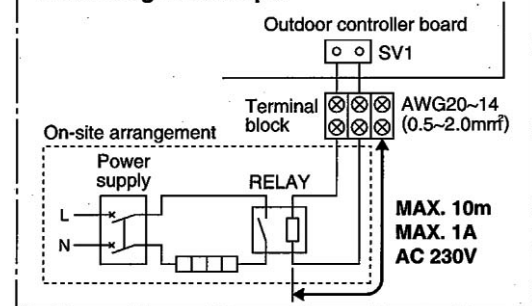
●HW112/140Y



1. Attach the terminal block ①, with the screw ②.
2. Connect the lead wire ③ connector side to SV1 port on the outdoor controller board.
3. Connect the lead wire ③ to the terminal block ①.
4. Wire local cables for a drain hose heater RELAY to the terminal block ①.

- Drain hose heater RELAY connection only
- MAX current 1A

Circuit diagram example



SV1 on the controller board
 → Drain hose heater signal output
 With PAC-SE60RA-E
 From defrost start
 For 15 min. ON signal provided

MITSUBISHI ELECTRIC CORPORATION

HEAD OFFICE : TOKYO BLDG., 2-7-3, MARUNOUCHI, CHIYODA-KU, TOKYO 100-8310, JAPAN