



RFID cards
for keyless entry included
(1 admin card, 5 user cards)

MOBOTIX KeypadRFID
MX-Keypad1-EXT
(in triple frame silver)

Keypad with Contactless RFID Technology

Weatherproof (IP65)
-30 to +60 °C / -22 to +140 °F

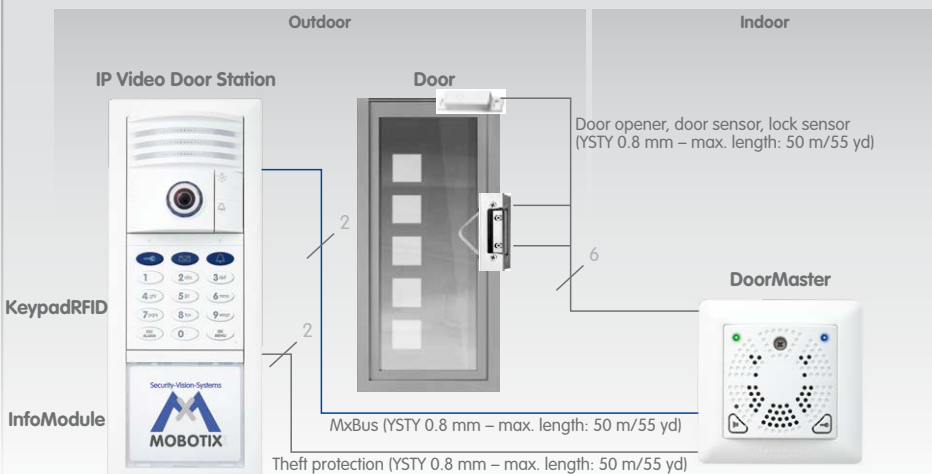


- Keypad module with 1 admin and 5 user RFID cards
- Mailbox control
- Integrated RFID technology for keyless entry
- Available colors: white, silver, dark gray, black, amber
- Up to 60 hrs backup power supply using DoorMaster (accessory)

Module for MOBOTIX IP Video Door Station

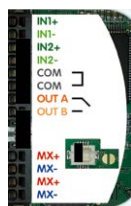
Keyless access to buildings using RFID transponder card or PIN code

Standard Connection: KeypadRFID with IP Video Door Station, InfoModule and DoorMaster



For additional information on the other connection variants and for installing, see the *T24 System Manual Part 1* on www.mobotix.com > Support > Manuals.

Back view with cover removed



I/O terminal



Sealing plug

Seal

MxBus terminal

Installing the KeypadRFID

Installing the module follows the procedure described in the *T24 System Manual Part 1*, in Section 2.4.2, "Installing the KeypadRFID". For more information on other connection variants (e.g. without DoorMaster), please see Section 2.1, "Overview: Connection and Wiring Diagrams".

When installing the module in the frame, make sure that you insert the **right side of the module first** and then press on the **left edge** (and not on the center) to click the module into place.



Operation

After installing, make sure that you follow the steps in the *T24 System Manual Part 2* in Section 2, "Initial Operation without PC". This chapter shows you how to configure the entire system (including the RFID admin and user cards) in a few simple steps.

Replacing the KeypadRFID

If the KeypadRFID needs to be replaced against all expectations, you need a current backup of the system configuration. This will ensure that you can seamlessly integrate the new KeypadRFID into the system later on. Please follow the steps outlined in the *T24 System Manual Part 2* in Section 5.2, "Backup & Restore".

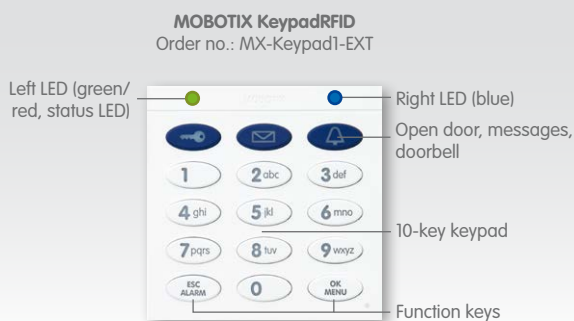
To dismount the KeypadRFID, follow the steps in the *T24 System Manual Part 1* in Section 2.4.6, "Removing and Exchanging Modules". Make sure that you deactivate the theft protection before dismounting the module and that you activate the theft protection again after re-installing.

HiRes Video Innovations

The German company MOBOTIX AG is known as the leading pioneer in network camera technology and its decentralized concept has made high-resolution video systems cost-efficient.

MOBOTIX AG • D-67722 Langmeil • Phone: +49 6302 9816-103 • Fax: +49 6302 9816-190 • sales@mobotix.com

Operation: Keys and Signaling



MOBOTIX RFID cards



Admin card
Order no.: MX-AdminCard1
(1 included)



User card
Order no.: MX-UserCard1
(5 included)

Leave a message (standard mailbox)¹

Press envelope key > welcome message plays > keep envelope key pressed and leave message



Play back messages^{*1}

Hold up user card > keys 0 to 9 are blinking: 0 to 9 new messages > play back with key 0 to 9



Record new welcome message for mailbox^{*1}

Press OK/MENU and hold the key > hold up user card > press bell key > press bell key again > keep envelope key pressed and leave message > let go of envelope key > welcome message is activated



¹ Only in combination with MOBOTIX IP Video Door Station.

Open door with blue user card

Hold up user card > door is unlocked



Open door with PIN code

Enter PIN code > press key button > door is unlocked



Open door on power failure (red LED is blinking)²

Press ESC/ALARM (until illumination is on) > opening door with card or PIN is now possible for about 10 seconds



² Only in combination with MOBOTIX DoorMaster.



Status LED

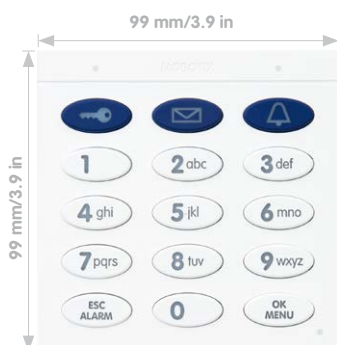
● On	Normal status
● On	Device error
● Blinking	Power failure

Technical Specifications	
Interface	MxBus
Inputs	2 galvanically separated inputs (AC/DC, self-powered, up to 50 V)
Outputs	1 isolated relay output (AC/DC, up to 50 V/60 W/2 A)
Protection class	IP65 (DIN EN 60529)
Operating temperature	-30 to +60 °C/-22 to +140 °F (DIN EN 50155)
Power Supply	MxBus
Power consumption	Typically 1 W
RFID cards: Type/Encryption	MIFARE DESFire EV1 3K3DES/AES

Notes

- Please follow the notes on installing and operating the device in the *T24 System Manual* (www.mobotix.com in the Support > Manuals section). This manual also contains wiring diagrams for the different scenarios.
- The MOBOTIX KeypadRFID is only to be used in the original frames of the IP Video Door Station.
- Before Installing, make sure that the seal on the back of the KeypadRFID has been properly attached.
- When inserting the module into the frame, only press at the edges, never at the center of the module.
- Make sure the device is not operated outside of its operating temperature range of -30 to +60 °C/-22 to +140 °F.
- BellRFID and KeypadRFID can only be used on one MxBus with a later software version of the camera.

Dimensions



Back



HiRes Video Innovations

The German company MOBOTIX AG is known as the leading pioneer in network camera technology and its decentralized concept has made high-resolution video systems cost-efficient.

MOBOTIX AG • D-67722 Langmeil • Phone: +49 6302 9816-103 • Fax: +49 6302 9816-190 • sales@mobotix.com