

# MOBOTIX Q25M Hemispheric Camera



## Allround Easy. Allround Secure.

An elegant, ultra-compact and weatherproof IP dome camera. The Q25 opens up a whole new range of application scenarios thanks to the 360° allround view for recording an entire room, widescreen panoramic images and simultaneous quad display in all four cardinal directions.


- High-resolution widescreen panorama from wall to wall, ideal for access control
- Integrated DVR (up to 64 GB) for long-term recording without network load
- Digital continuous tilting, panning and zooming without mechanically moving the camera
- Robust and low maintenance with no moving parts
- Newest MOBOTIX 5MP sensor technology with up to 30 fps and improved zoom
- Microphone, speaker, MxBus and intelligent movement sensors (MxActivitySensor)
- Optimized image quality and reduced motion blur even in poor lighting conditions

### MOBOTIX Advantages


Extremely high-sensitive 5-megapixel sensors • All relevant events are automatically saved • Highly secure as motion sensors detect even the smallest movements and reduce the number of false alarms • Cost-effective as fewer cameras are needed thanks to HiRes panorama view • Maintenance-free with no heaters, fans or moving parts • Can be expanded thanks to encrypted two-wire bus (MxBus) • Synchronization via GPS satellite means data available in real time • Weatherproof from -30°C to 50°C (-22°F to 122°F) • No licensing or software fees, free-of-charge updates


Technical specifications subject to change without notice

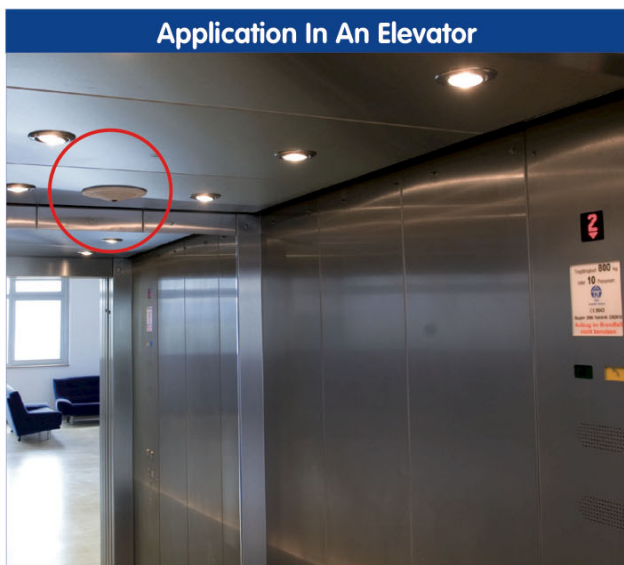


Camera Housing	
	<b>Standard housing</b> <ul style="list-style-type: none"> <li>Hemispheric allround view (360°)</li> <li>Suitable for wall or ceiling mounting</li> <li>White or black</li> <li>Robust and low maintenance with no moving parts</li> </ul>

Accessories	
	<b>Vandalism Set</b> <ul style="list-style-type: none"> <li>Anti-vandalism stainless steel housing with lens protection</li> <li>Polished, matt</li> </ul>

	<b>In-ceiling set</b> <ul style="list-style-type: none"> <li>Installation set with mounting accessories</li> <li>Simple installation from the front</li> <li>Ø 15 cm installation dimensions</li> <li>White or black</li> <li>Optionally available with stainless steel ring</li> </ul>
---	---

	<b>ExtIO function expansion</b> <ul style="list-style-type: none"> <li>Microphone/Speaker</li> <li>Infrared motion sensor, temperature sensor</li> <li>2 signal inputs, 2 signal outputs, 2 illuminated keys</li> </ul>
--	---



### Application In An Elevator

The discreetly mountable Q25 provides a complete view and at the same time serves as a highly functional intercom system (microphone and speaker are integrated into the camera ex factory)

Technical Data	
<b>Model versions</b>	Basic, Sec, Sec-Night
<b>Lens options</b>	L12 (180° x 160°), L25 (82° x 61°)
<b>Sensitivity</b>	Color sensor: 0.25 lux (t = 1/60 s), 0.013 lux (t = 1/1 s) B/W sensor: 0.05 lux at 1/60 s, 0.0025 lux at 1/1 s MxLEO – Lowlight Exposure Optimization
<b>Image sensors</b>	1/2.5" CMOS, 5 megapixels, progressive scan
<b>Max. image size</b>	Color: 2048 x 1536 (QXGA), B/W: 2048 x 1536 (QXGA)
<b>Image formats</b>	Freely selectable image format (160 x 120 up to 2048 x 1536/color); PTZ views: Surround (Quad), fisheye full image, normal, panorama, double panorama, panorama focus (3 views)
<b>Max. frame rate, M-JPEG (live/recording)</b>	VGA: 30 fps, MEGA/HD: 10 fps, 3MEGA: 4 fps
<b>Max. video rate MxPEG (live/recording/sound)</b>	VGA: 30 fps, MEGA/HD: 30 fps, 3MEGA: 20 fps
<b>Image compression</b>	MxPEG, M-JPEG, JPEG, H.264 (SIP video only)
<b>Internal DVR</b>	MicroSD Slot (recording inside the camera, up to 64 GB; 4-GB card preinstalled)
<b>External storage</b>	Directly on NAS and computer/server without additional recording software
<b>Software (free of charge)</b>	MxEasy video management software, MxControlCenter control center software, MOBOTIX App for iOS devices iOS 5.0 and higher
<b>Image processing</b>	Backlight compensation, automatic white balance, image distortion correction (including panorama image correction), motion detection, MxActivitySensor
<b>Virtual PTZ (vPTZ)</b>	Digital pan/tilt/zoom, continuous 8x zoom, full image recording in the background
<b>Alarm/events</b>	Triggering of events by integrated multiple-window motion detection, temperature sensor, notification over email, FTP, IP telephony (VoIP, SIP), visual/acoustic alarm, pre- and post-alarm images
<b>Audio</b>	Integrated microphone and speaker, lip-synchronous audio, intercom, audio recording
<b>Interfaces</b>	Ethernet 10/100, IPv4/IPv6, MiniUSB, MxBus, IO and RS232 via MX-232-IO-Box (accessory)
<b>Video telephony</b>	VoIP/SIP, intercom, remote controlling with key code, event notification
<b>Security</b>	User/group management, HTTPS/SSL, IP address filter, IEEE 802.1x, intrusion detection, digital image signature
<b>Certifications</b>	EMC (EN50121-4, EN55022, EN55024, EN61000-6-2, FCC part15B, AS/NZS3548)
<b>Power supply</b>	Power over Ethernet (PoE in accordance with IEEE802.3af): PoE class variable (2/3) depending on operating mode; power consumption: typ. 4.5 watts;
<b>Operating conditions</b>	IP65 (DIN EN 60529), -30 to +50 °C/-22 to +122 °F
<b>Dimensions</b>	diam. x H: 16 x 5 cm
<b>Weight</b>	about 450 g

For more information on the entire range of MOBOTIX accessories and additional information on the Q25M, such as prices, manuals, video management software for computers and iOS devices, etc., please go to [www.mobotix.com](http://www.mobotix.com) > **Products**. Or - if you would like to talk to us on the phone to get advice with our products, please call +49 06302 9816-103.

Camera Model	Q25Mi-Basic	Q25M-Sec	Q25M-Sec-Night
<b>Lenses, Sensors</b>			
Hemispheric 12 mm (180° x 160°)	L12	L12	L12
Super Wide-Angle 25 mm (82° x 61°)	–	L25	L25
Wide-Angle 38 mm (55° x 41°)	–	–	–
Wide-Angle 51 mm (40° x 30°)	–	–	–
Tele 76 mm (27° x 20°)	–	–	–
Tele 160 mm (13° x 10°)	–	–	–
Tele 320 mm (7° x 5°)	–	–	–
CSVario 28 – 63 mm (28° – 58°)	–	–	–
Image sensor with individual exposure zones	Color	Color	B/W
Sensor sensitivity in lux at 1/60 s /1 s	0,25/0,013	0,25/0,013	0,005/0,0025
Image sensor resolution (color or B/W sensor)	5MP (2592 x 1944)	5MP (2592 x 1944)	5MP (2592 x 1944)

Hardware Functions			
Protection class	IP54	IP65	IP65
Temperature range -30 to +50°C/-22 to +122°F	•	•	•
Temporary internal DVR	2 MB	64 MB	64 MB
Internal DVR, ex works	–	4 GB (MicroSD)	4 GB (MicroSD)
Microphone/speaker	–/•	•/•	•/•
Passive infrared sensor (PIR)	–	–	–
Integrated temperature sensor	–	•	•
Shock detector	–	•	•
Power consumption (typical)	< 4,5 watts	< 4,5 watts	< 4,5 watts
Variable PoE class (factory default: 3)	2 or 3	2 or 3	2 or 3

Image Formats, Frame Rates, Image Storage			
Maximum image format (per sensor)	HD (1280 x 720)	5MP (2592 x 1944)	5MP (2592 x 1944)
Maximum frame rate (MxPEG, max. resolution)	30 fps (HD)	10 fps (5MP)	10 fps (5MP)
CIF images with 4 GB MicroSD DVR	–	250,000	250,000
VGA images with 4 GB MicroSD DVR	–	125,000	125,000
HD images with 4 GB MicroSD DVR	–	40,000	40,000
QXGA images with 4 GB MicroSD DVR	–	20,000	20,000

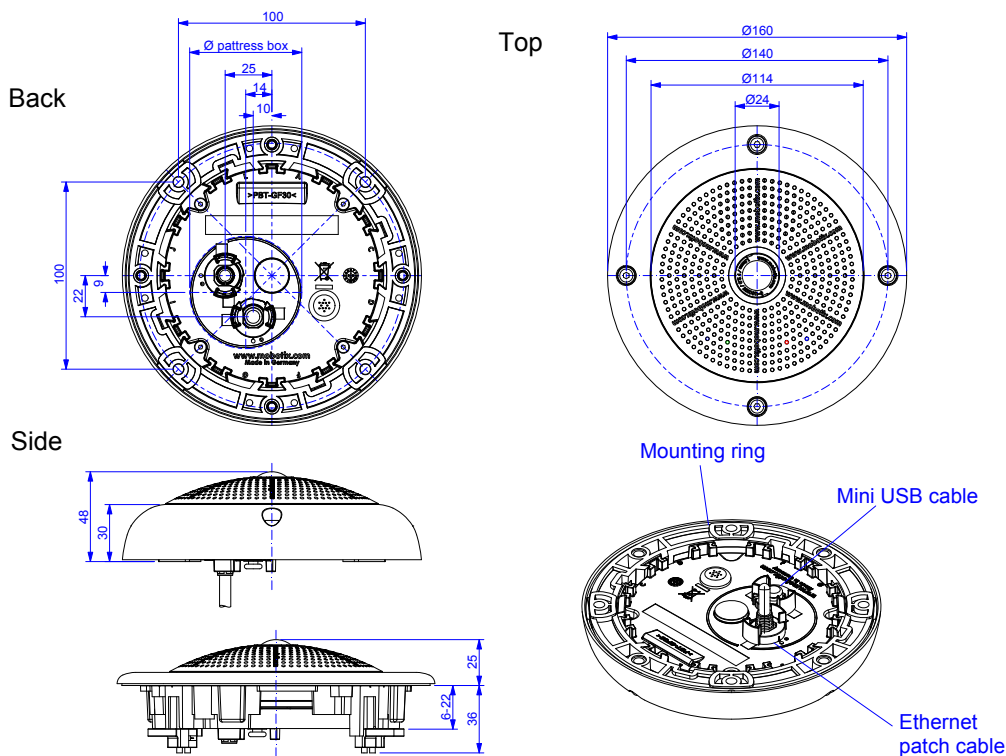
- available ex works
- not available

Camera Model	Q25Mi-Basic	Q25M-Sec	Q25M-Sec-Night
<b>General Functions</b>			
Digital zoom (continuous) with panning	•	•	•
Codecs: Motion-JPEG/MxPEG/H.264 for SIP	•/•/–	•/•/•	•/•/•
Programmable exposure zones	•	•	•
Snapshot recording (pre/post-alarm images)	3	50	50
Terabyte ring buffer storage (internal/network)	–	•	•
Continuous recording with sound (0.2 to 30 fps)	–	•	•
Event recording with sound	–	•	•
Time and event control/flexible event logic	•/–	•/•	•/•
Weekly schedules/holidays	–	•	•
Web functionality (FTP, email)	•	•	•
Playback/QuadView and MultiView	•/•	•/•	•/•
Bidirectional sound in browser	–	•	•
Logo generator, animated	–	•	•
Master/Slave arming	–	•	•
Several scheduled privacy zones	–	•	•
Customized voice messages	–	•	•
VoIP telephony (audio/video, alert)	–	•	•
Remote alarm notification (network message)	–	•	•
Signal inputs/outputs and RS232 via	–	MX-232-IO-Box	MX-232-IO-Box
Programming interface (HTTP API)	–	•	•
Security Features (HTTPS/S/L, IP-based access control, IEEE 802.1X network authentication)	•	•	•
<b>Video Analysis</b>			
Video motion detector	–	•	•
MxAnalytics	–	–	–
MxActivitySensor	–	•	•
<b>Video Management Software</b>			
MxEasy (Windows/Mac OS X)	•	•	•
MxControlCenter (Windows)	•	•	•
MOBOTIX App (iOS)	•	•	•

## Delivered Parts Q25M (Secure)



(Excerpt from the technical documentation: [www.mobotix.com](http://www.mobotix.com) > Support > Manuals)



(Excerpt from technical drawings and 3D views: [www.mobotix.com](http://www.mobotix.com) > Support > Image Database)

**Lens unit**

**Speaker**

**Microphone  
(only Q25M-Sec)**

**R key**

**L key**

**LEDs**

**Slot for MicroSD card  
(not externally accessible)**



**Network connector**

**MiniUSB (e.g. ExtIO)**

**Bayonet catch**

**MxBus (for expansion  
modules)**



**(Q25M – Camera housing and connectors, excerpt from the technical documentation)**