



## Q25 – Professional Outdoor Overview Camera

### ■ High-Performance Hemispheric Camera For Indoor And Outdoor Use

Applicable as day or night System with detailed 6MP color or B/W sensor

### ■ HD Premium Fisheye Lens Enables Perfect Overview Images

Monitoring of an entire room (ceiling mounted) or building front (wall mounted) without blind spots

### ■ Intelligent 3D Motion Detection And Video Analysis

MxActivitySensor and MxAnalytics integrated as standard

### ■ Reduced Energy Costs

Power consumption < 5 W, standard PoE

### ■ Virtually Maintenance-Free (IP66)

Weatherproof, operates reliably from -30 to 50°C

# Technical Specifications

## MOBOTIX Q25 Hemispheric



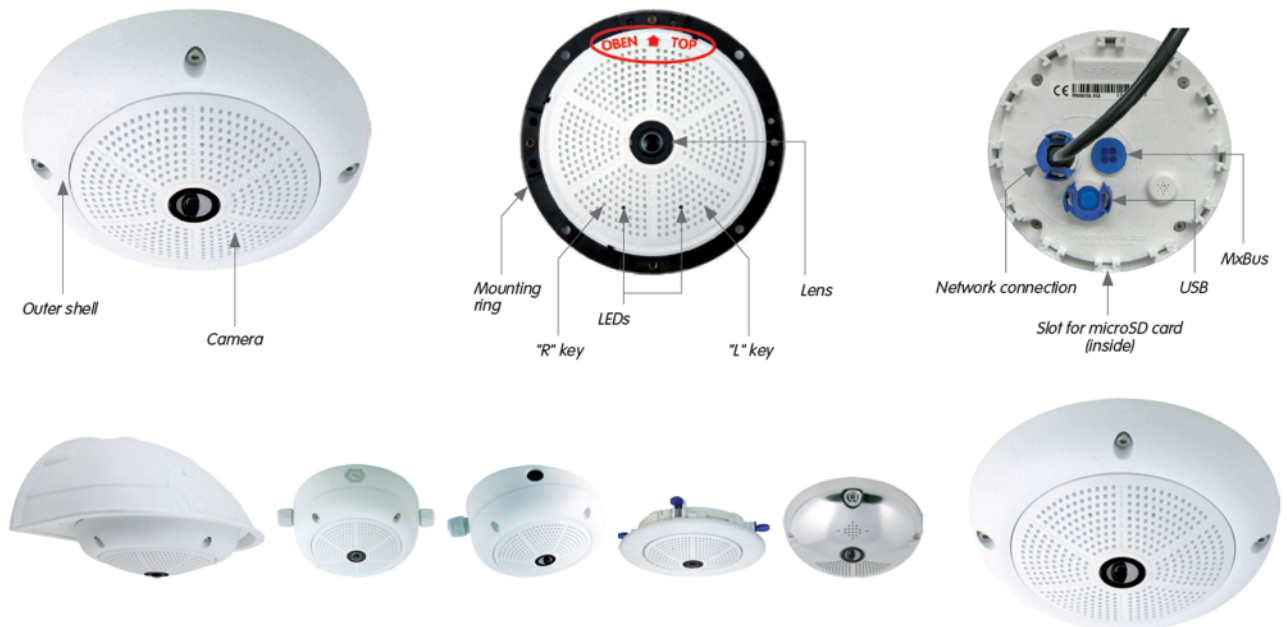
Camera Variants	Q25 Day Complete Camera	Q25 Night Complete Camera
Specialties	Factory-assembled Q25 Day or Night camera with sharply focused fisheye special lens	
Lenses	Q25 Day Complete Camera	Q25 Night Complete Camera
Fisheye Lens <b>MX-B016</b> (f/2.0, Hemispheric 180° x 180°)	<b>MX-Q25-D016</b>	<b>MX-Q25-N016</b>
Hardware	Q25 Day Complete Camera	Q25 Night Complete Camera
Image sensor with individual exposure zones	Color	Black & White
Light sensitivity in lux at 1/60 s and 1/1 s	0.1/0.005	0.02/0.001
Image sensor (color or B/W sensor)	1/1.8" CMOS, 6MP (3072 x 2048), Progressive Scan	
Microprocessor	PXA320 XScale Single Core	
H.264 Hardware Codec	No	
Protection classes	IP65 and IK07 (IP66 and IK10 with Vandalism Set)	
Intended use	Not for use in hazardous areas (Ex area)	
Ambient temperature (range, incl. storage)	-30 to 50°C/-22 to 122°F	
Internal DVR, ex works	4 GB (microSD)	
Microphone/speaker	Yes/Yes	
16bit/16kHz HD wideband audio (Opus codec)	Yes (live and audio messages)	
Passive infrared sensor (PIR)	No	
Temperature sensor	Yes (live and audio messages)	
Shock detector (tamper detection)	Yes	
Power consumption (typical)	< 4.5 watts	
PoE Class (IEEE 802.3af)	Class 2 or 3 (variable), factory setting: class 3	
Interfaces Ethernet 100BaseT/MxBus/USB	Yes (MxRJ45)/Yes/Yes	
Interface RS232	With accessory (MX-232-IO-Box)	
Mounting options	Wall, ceiling or floor	
Dimensions (height x diameter)	48 x 160 mm	
Weight	350 g	
Housing	Fixed Dome, PBT-30GF, color: white	
Standard delivery	Screws, dowels, allen wrench, Torx wrench, 0,5 m Ethernet patch cable, Quick Install	
Detailed technical documentation	<a href="http://www.mobotix.com">www.mobotix.com</a> > Support > Manuals	
Online version of this document	<a href="http://www.mobotix.com">www.mobotix.com</a> > Support > Spec Sheets	
MTBF	> 80,000 hours	
Certifications	<a href="http://www.mobotix.com">www.mobotix.com</a> > Support > MxMediaLibrary > Certificates	
Protocols	IPv4, IPv6, HTTP, HTTPS, FTP, SFTP, RTP, RTSP, UDP, SNMP, SMTP, DHCP (client and server), NTP (client and server), SIP (client and server) G.711 (PCMA and PCMU) and G.722	

# Technical Specifications

## MOBOTIX Q25 Hemispheric



Image Formats, Frame Rates, Image Storage	Q25 Day Complete Camera	Q25 Night Complete Camera
Available video codecs	MxPEG/MJPEG	
Image formats	Freely configurable format 4:3, 8:3, 16:9 or customized format (Image Cropping), such as 2592x1944 (5MP), 2048x1536 (QXGA), 1920x1080 (Full-HD), 1280x960 (MEGA)	
Multistreaming	Yes	
Multicast stream via RTSP	No	
Max. image format	6MP (3072 x 2048)	
Max. frame rate (fps)	MxPEG: 30@HD(1280x720), 30@Mega, 20@QXGA, 10@5MP, 8@6MP MJPEG: 20@HD(1280x720), 15@Mega, 8@QXGA, 5@5MP, 4@6MP	
Number of images with 4 GB microSD (internal DVR)	CIF: 250.000, VGA: 125.000, HD: 40.000, QXGA: 20.000, 6MP: 10.000	



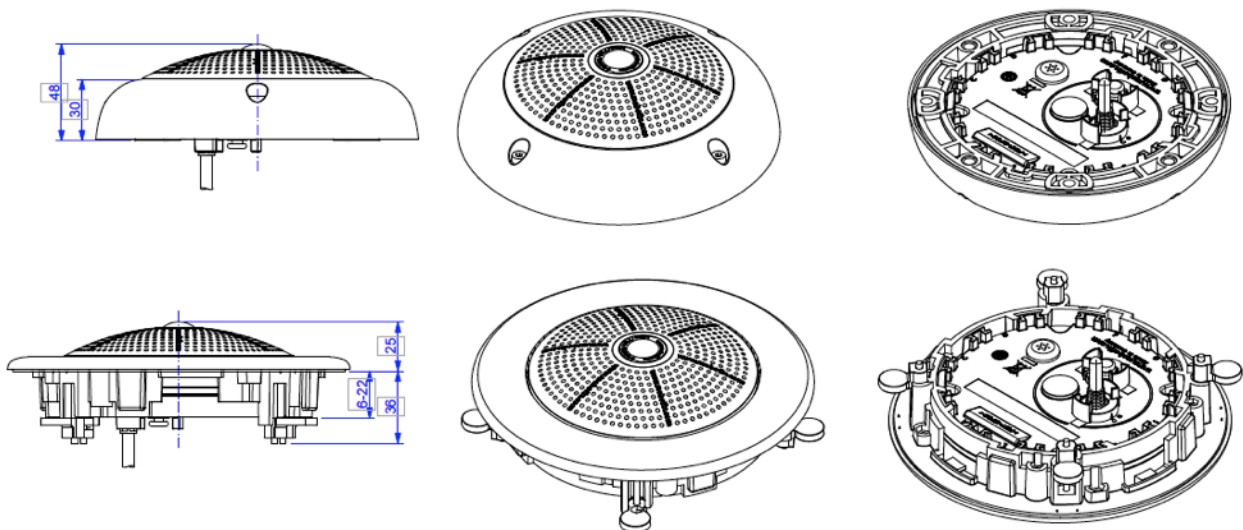
General Functions	Q25 Day Complete Camera	Q25 Night Complete Camera
Digital zoom and pan		Yes
ONVIF compatibility		No
Genetec protocol integration		Yes
Programmable exposure zones		Yes
Snapshot recording (pre/post-alarm images)		Yes
Continuous recording with audio		Yes
Event recording with audio		Yes
Time controlled flexible event logic		Yes
Weekly schedules for recordings and actions		Yes
Event video and image transfer via FTP and email		Yes
Playback and QuadView via web browser		Yes
Bidirectional audio in browser		Yes
Animated logos on the image		Yes

# Technical Specifications

## MOBOTIX Q25 Hemispheric

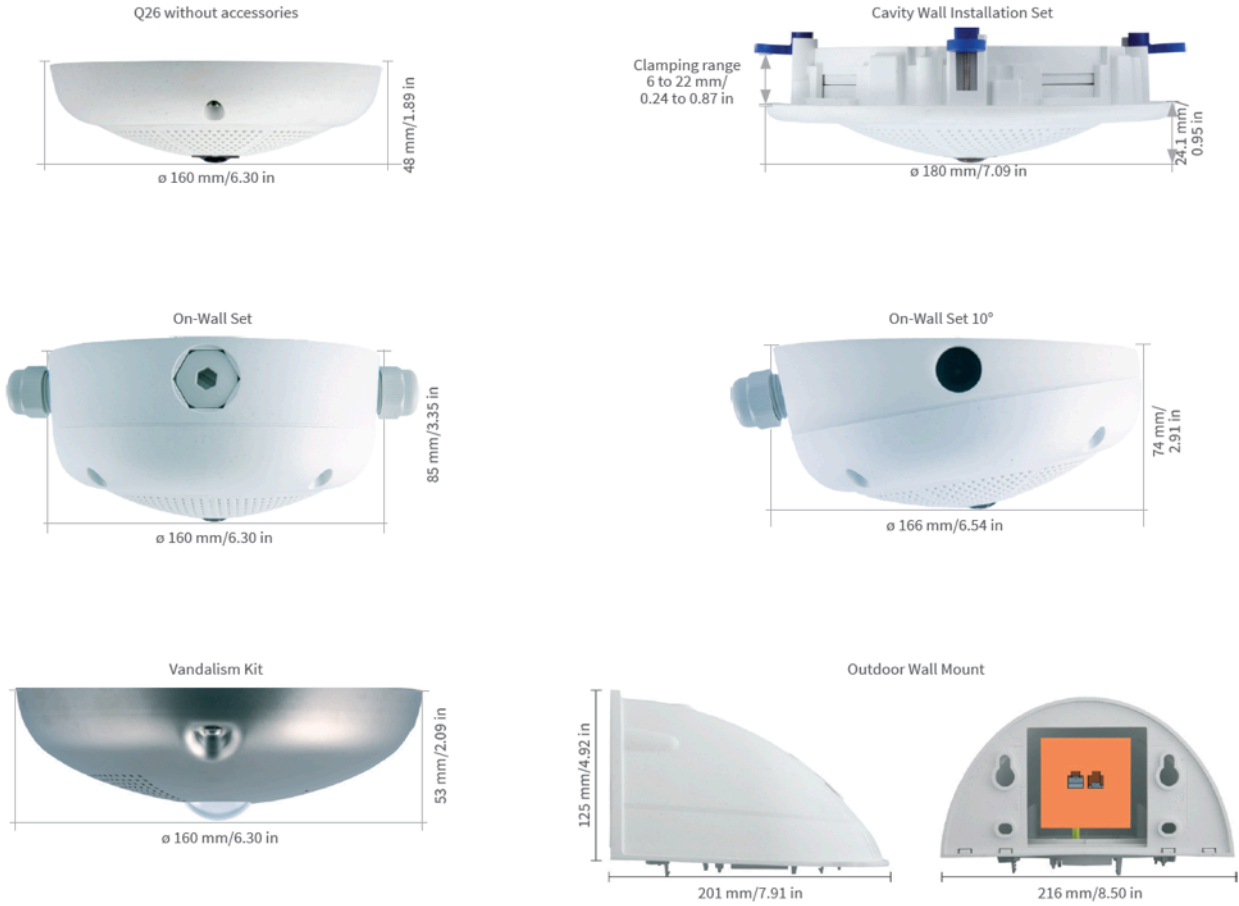


General Functions	Q25 Day Complete Camera	Q25 Night Complete Camera
Master/Slave functionality		Yes
Privacy zone scheduling		Yes
Customized voice messages		Yes
VoIP telephony (audio/video, alert)		Yes
Remote alarm notification (network message)		Yes
Programming interface (HTTP-API)		Yes
DVR	Inside camera via microSD card, externally via USB device and NAS, different streams for live image and recording, MxFFS with archive function, pre-alarm an post-alarm images, monitoring recording with failure reporting	
Camera and data security	User and group management, SSL connections, IP-based access control, IEEE802.1x, intrusion detection, digital image signature	
MxMessageSystem: Sending and receiving of MxMessages		Yes
Video Analysis	Q25 Day Complete Camera	Q25 Night Complete Camera
Video Motion Sensor		Yes
MxActivitySensor		Yes
MxAnalytics	Yes (Heatmaps, counting corridors and behavioural detection)	
Video Management Software	Q25 Day Complete Camera	Q25 Night Complete Camera
MxManagementCenter		Yes
Mobile MOBOTIX App		Yes



# Technical Specifications

## MOBOTIX Q25 Hemispheric



Dimensions in mm