

Allround Outdoor Camera for Ceiling, Wall and Pole Mounting



- Includes MxAnalytics video analysis tools out-of-the-box
- Recording on internal microSD card (SDXC, SDHC installed)
- Signal inputs/outputs via optional MxBus modules
- Audio integrated (microphone and speaker)
- Sensors for temperature and shock detection integrated
- Simply mounted to poles using Pole Mount (accessory)

MOBOTIX 6MP camera for flexible use in indoor and outdoor applications, available as complete Allround M25 (Day or Night) with the lenses MX-B036 to MX-B500 and as Hemispheric variant (Day or Night) with lens MX-B016. [www.mobotix.com](http://www.mobotix.com) > Products > M25

Standard Delivery M25



Item	Count	Part Name
1.1	1	Camera in weatherproof housing, incl. VarioFlex wall mount
1.2	1	Ceiling mount
1.3	1	Sealing for wall and ceiling mount
1.4	1	Lens, installed (standard M14 or B016)
1.5	2	Lens cover, 1 installed, 1 replacement (cover for B500 not shown, not available for lens B016)
1.6	1	Lens wrench B016 (only for M25-D016/N016)
1.7	2	Allen wrench 5 mm, Allen wrench 2.5 mm
1.8	1	Special Ethernet cable 0.5 m/20", installed
1.9	4	Screw caps for stainless steel fastening screws
1.10	4	Stainless steel wood screws 6x50 mm
1.11	4	Stainless steel washers 6.4 mm dia.
1.12	4	Dowel S8
1.13	2	Cable lock with bayonet catch (Ethernet patch cable, MiniUSB)
1.14	1	MicroSD card installed
1.15	1	MiniUSB plug

Connection and Initial Operation of the M25

For information on **connecting** the M25, please see the *M25 Camera Manual*, section «Network and Power Connection, Additional Cables» (PDF, available on [www.mobotix.com](http://www.mobotix.com) > Support > Manuals).

Regarding the **initial operation** of the M25, please see the *M25 Camera Manual* in Chapter 3, «Initial Operation».



Mounting Options of the M25

Mounting to a Wall

When installing the M25 on a wall, for example, simply affix the pre-installed and **VarioFlex wall mount included in the delivery** with the four supplied screws and washers.

**The camera can be turned or tilted 180° horizontally and 110° vertically (from -90° to +20°).**

Mounting to a Ceiling

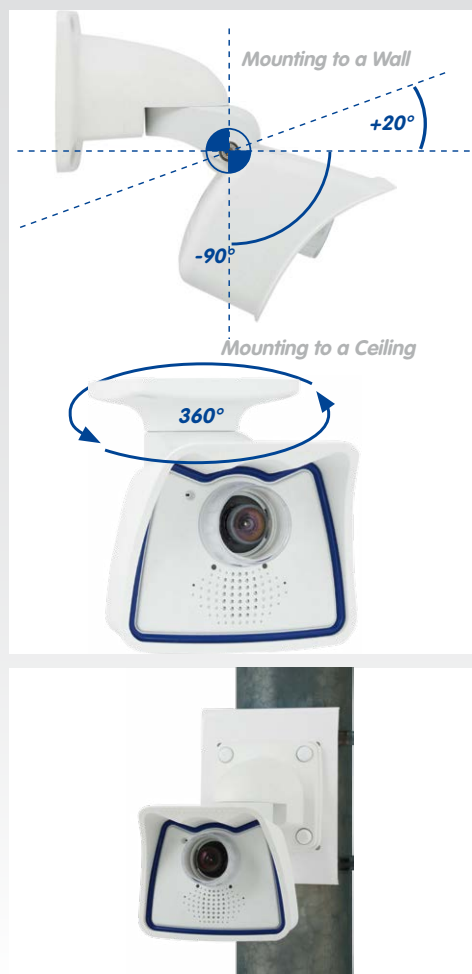
By exchanging the wall mount for the separately supplied ceiling mount, the M25 is ready to be **mounted to ceilings in just a few easy steps** thanks to the VarioFlex system.

**The camera can be turned or tilted 360° horizontally and 110° vertically (from -90° to +20°).**

Mounting to Poles (With Accessories)

If you want to mount the camera to a pole with a diameter from 60 to 180 mm, you should consider using the Pole Mount (MX-MH-SecureFlex-ESWS) made from white powder-coated stainless steel.

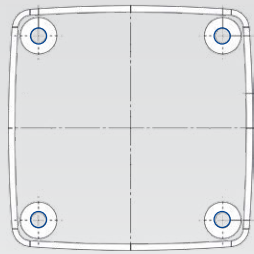
**Just like when mounting to a wall, the camera can be turned 180° horizontally and tilted 110° vertically (from -90° to +20°).**



Installing the M25

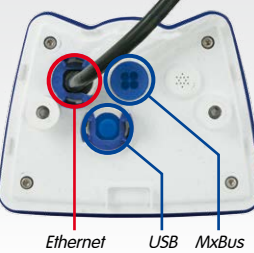
1. Drill the holes for the dowels (if required)

Use the drilling template for this step (see below). Mark the holes for dowels or screws (blue circles in figure). If required, drill the holes for the dowels, push them in and cut the cut-out for the cables. Guide the Ethernet cable and any other cables that are to be connected through the cut-out.



2. Connect the cables

If you want to connect additional cables (USB, MxBus), remove the weatherproof housing as shown in Section «Removing/Installing the Weatherproof Housing», connect the cabling as required and again install the housing. Plug the pre-installed Ethernet cable into a network socket (e.g., of an MX-Overvoltage-Protection-Box).



3. Install the camera

Press the wall/ceiling mount and the wall sealing against the mounting position and align the holes with the holes for the dowels/screws. Insert the screws with washers and tighten them using a torque of 0.4 Nm. Finally, press the white covers onto the screw heads.



Removing/Installing the Weatherproof Housing

For certain tasks (e.g., connecting additional wires, exchanging the SD card), you need to remove the weatherproof housing and install it again once you are finished.

1. Remove the fastening screws at the back

Start by removing the two rubber plugs that protect the fastening screws. Next, unscrew the two fastening screws of the weatherproof housing using the supplied Allen wrench 5 mm (item 1.7), but do not remove the screws.



2. Remove camera from weatherproof housing

Press the camera from the housing by gently applying pressure on the screws in alternating fashion from the rear using the long shank of the Allen wrench. Unscrew the fastening screws once the camera is free from the housing.



3. Complete the tasks

Follow the procedures for the work inside the housing as described in the *M25 Camera Manual* in Chapter 2, «Installation» (e.g., connecting additional wires, exchanging the SD card).



4. Insert the camera into the weatherproof housing

Start by inserting the camera into the weatherproof housing. Press the camera back into the housing and take care not to squeeze and damage any wires inside the housing.



5. Tighten the retaining screws

Affix the camera in the weatherproof housing using the two retaining screws. Finally, push in the two rubber plugs that protect the retaining screws.



Innovations - Made in Germany

The German company MOBOTIX AG is known as the leading pioneer in network camera technology and its decentralized concept has made high-resolution video systems cost-efficient.

MOBOTIX AG • D-67722 Langmeil • Phone: +49 6302 9816-103 • Fax: +49 6302 9816-190 • [sales@mobotix.com](mailto:sales@mobotix.com)

## Initial Operation of the M25

The initial operation starts with connecting the power supply (see section «Network and Power Connection, Additional Cables» in the M25 Camera Manual). The first access follows the procedure described in the same manual in the «Initial Operation of the Camera» section. All other tasks require access to the camera's user interface in the browser. Enter the camera's IP address in the address bar of the browser.

### 1. Set installed lens (only when exchanging)

Open the **Admin Menu > Hardware Configuration > Lens Configuration** dialog and select the installed lens. This step is required to select the proper special functions of the installed lens (e.g., for wide-angle lenses).



### 2. Adjust lens focus (if required)

This step is only necessary if the lens has been installed for the first time or exchanged. In cameras with a MX-B016 ("Hemispheric") lens, the lens has been focused at the factory. Remove the dome before proceeding.



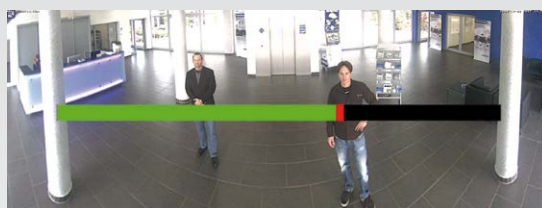
Check the live image from the camera in the browser. Activate the focusing aid in the browser (**Focusing Aid** quick control, **Activated** value).

Carefully turn the lens by hand in clockwise or counter-clockwise direction until the red area of the focusing aid is as small as possible.

Once the focus is adjusted properly, deactivate the focusing aid again (**Focusing Aid** quick control, **Disabled** value).

### 3. Save the configuration

In the live image of the browser, select the **Manage Settings** quick control and set **Store Entire Configuration** as value. The camera stores the configuration in the permanent camera memory so that the settings will be applied at the next camera reboot.



## Important Notes

### Safety Warnings

#### Notes on Installing:

- This product must not be used in locations exposed to the dangers of explosion.
- Make sure that you install this product as outlined in *Chapter 2, «Installation»* of the corresponding manual. A faulty installation can damage the camera!
- When installing this product, make sure that you are only using genuine MOBOTIX parts and MOBOTIX connection cables.
- Only install this product on suitable, solid materials that provide for a sturdy installation of the fixing elements used.



**Electrical installation:** Electrical systems and equipment may only be installed, modified and maintained by a qualified electrician or under the direction and supervision of a qualified electrician in accordance with the applicable electrical guidelines. Make sure to properly set up all electrical connections.



**Electrical surges:** MOBOTIX cameras are protected against the effects of small electrical surges by numerous measures. These measures, however, cannot prevent the camera from being damaged when stronger electrical surges occur. Special care should be taken when installing the camera outside of buildings to ensure proper protection against **lightning**, since this also protects the building and the whole network infrastructure.



**Max. power consumption of attached extension modules:** The power consumption of all attached **MxBus modules** must **not exceed 2.5 W**. When attaching modules to the MxBus connector **and** the USB socket, the **power consumption of all attached modules must not exceed 3 W, if the camera is powered by PoE class 3**. If **PoE class 2** is used, **the power consumption of all attached modules must not exceed 1 W!**



**Never touch the lens:** Due to the high performance of the M25, the area of the image sensor **can get quite hot**, especially when the ambient temperature is also high. This does not affect the proper functioning of the camera in any way. For this reason, the product must not be installed within the reach of persons without the lens cover.



**Power off before opening the camera:** Make sure the power supply to the camera is disconnected before opening the camera housing (e.g., when inserting or exchanging lenses, lens units and SD cards).



**Network security:** MOBOTIX products include all of the necessary configuration options for operation in Ethernet networks in compliance with data protection laws. The operator is responsible for the data protection concept across the entire system. The basic settings required to prevent misuse can be configured in the software and are password-protected. This prevents unauthorized parties from accessing these settings.



### Legal Notes

**Legal aspects of video and sound recording:** You must comply with all data protection regulations for video and sound monitoring when using MOBOTIX products. Depending on national laws and the installation location of the M25, the recording of video and sound data may be subject to special documentation or it may be prohibited. All users of MOBOTIX products are therefore required to familiarize themselves with all valid regulations and comply with these laws. MOBOTIX AG is not liable for any illegal use of its products.



### Disposal

Electrical and electronic products contain many valuable materials. For this reason, we recommend that you dispose of MOBOTIX products at the end of their service life in accordance with all legal requirements and regulations (or deposit these products at a municipal collection center). MOBOTIX products must not be disposed of in household waste! If the product contains a battery, please dispose of the battery separately (the corresponding product manuals contain specific directions if the product contains a battery).



### Disclaimer

MOBOTIX AG does not assume any responsibility for damages, which are the result of improper use or failure to comply to the manuals or the applicable rules and regulations. Our **General Terms and Conditions** apply. You can download the current version of the General Terms and Conditions from our website at [www.mobotix.com](http://www.mobotix.com) by clicking on the **cos** link at the bottom of every page.



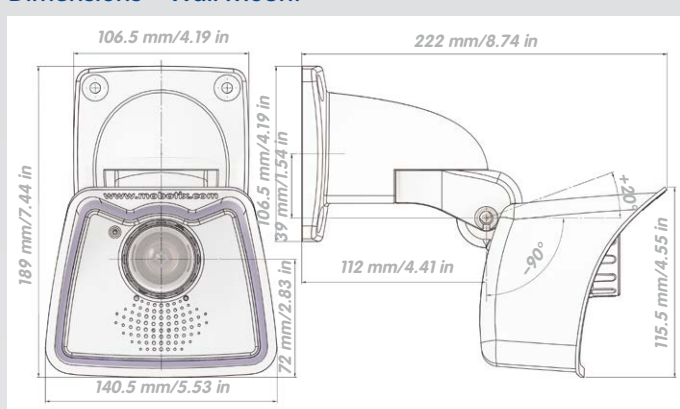
## Technical Specifications

Technical Specifications M25	
Lens Options	10 to 160 mm (in 35 mm format), 180° to 8° horizontal angle of view (6MP)
Min. Illumination	Color sensor: 0.1 Lux at 1/60 s, 0.005 Lux at 1/1 s Black & White sensor: 0.02 Lux at 1/60 s, 0.001 Lux at 1/1 s
Image Sensor	1/1.8" CMOS, 6MP, Progressive Scan
Max. Image Size	Color/Black & White 3072x2048 (6MP)
Image Formats	3072x2048 (6MP), 2592x1944 (5MP), 2048x1536 (QXGA), 1920x1080 (Full HD), 1280x960 (MEGA), 1280x720 (HD), 1024x768, 800x600, 768x576 (D1 PAL), 704x576 (TV PAL), 640x480, 384x288, 320x240, 160x120, custom formats
Max. Frame Rate (Live/Recording)	HD: 20 fps, MEGA: 15 fps, QXGA: 8 fps, 5MP: 5 fps, 6MP: 4 fps
Max. Frame Rate (Live/Recording with Sound)	HD: 30 fps, MEGA: 30 fps, QXGA: 20 fps, 5MP: 10 fps, 6MP: 8 fps
Image Compression	MxPEG, M-JPEG, JPEG
Internal DVR	MicroSD card pre-installed (SDHC installed, SDXC-compatible)
External Video Ring Buffer	Directly on NAS or PC/Server, no additional recording software required
Software (Included)	MxManagementCenter MOBOTIX App for iOS devices version 5.0 and higher
Image Processing	Backlight compensation, automatic white balance, image distortion correction, panorama correction, video motion detection, MxActivitySensor
Virtual PTZ	Digital pan/tilt/zoom, continuous up to 8X

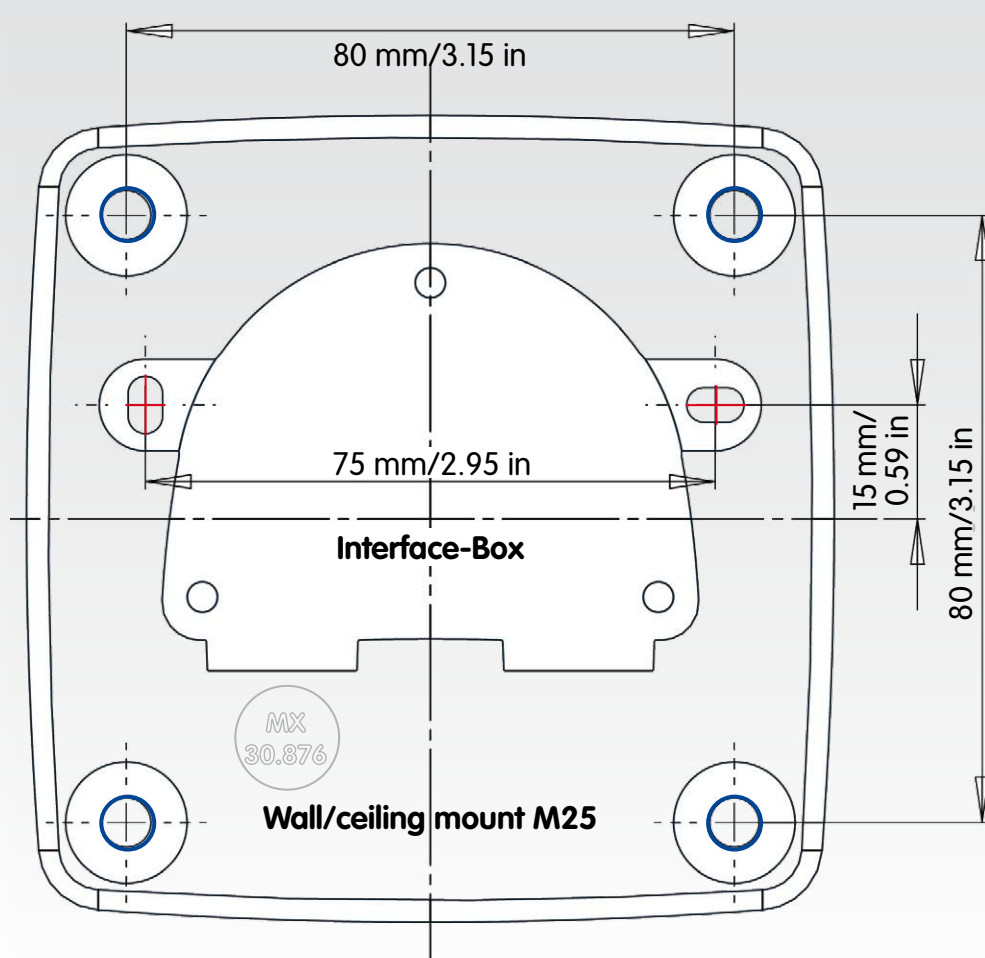
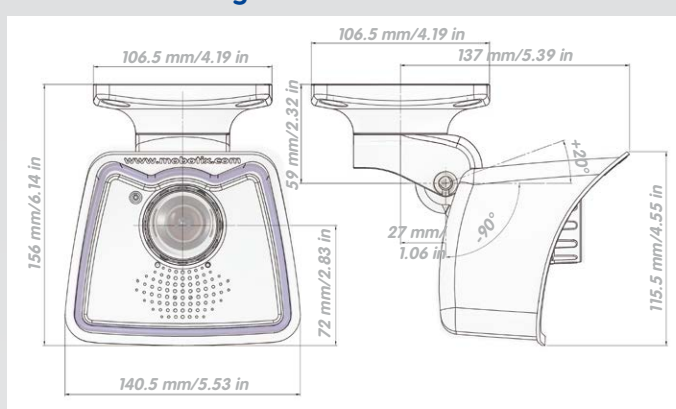
Technical Specifications M25	
Alarm/Events	Video Motion detection, MxActivitySensor, external signals, temperature sensor, PIR, microphone, shock detector, notification via e-mail, FTP, IP telephony (VoIP, SIP), visual/sound alarms, pre- and post-alarm images
Microphone and Speaker	Integrated microphone and speaker
Audio Functions	Lip-synchronous audio, two-way communication, audio recording
Interfaces	Ethernet 10/100, IPv4/IPv6, MiniUSB, MxBus; inputs/outputs using optional accessory
Video Telephony	VoIP/SIP, two-way communication, remote controlling using key codes, event notification
Security	User/group management, HTTPS/SSL, IP address filter, IEEE 802.1x, intrusion detection, digital image signature
Certifications	EMC (EN 55022, CISPR 22, EN 55024, EN 61000-6-1/2, FCC Part15B, CFR 47, AS/NZS 3548)
Power Supply	Year-round Power-over-Ethernet (IEEE 802.3af); PoE class variable
Power Consumption	Typ. < 4.5 W
Operating Conditions	IP66, -30 to +50 °C/-22 to +122 °F
M25 Dimensions/Weight	Mounted to wall: Width x height x depth: 140 x 189 x 222 mm; Weight: approx. 772 g (incl. standard lens) Mounted to ceiling: Width x height x depth: 140 x 156 x 195 mm; Weight: approx. 715 g (incl. standard lens)
Standard Delivery	Housing (high-resistance composite, PBT), white, conversion set for ceiling mount, mounting supplies, wrenches, 50 cm patch cable, software, MicroSD card (installed)

## Dimensions/Drilling Template

### Dimensions—Wall Mount



### Dimensions—Ceiling Mount



Innovations - Made in Germany

The German company MOBOTIX AG is known as the leading pioneer in network camera technology and its decentralized concept has made high-resolution video systems cost-efficient.

MOBOTIX AG • D-67722 Langmeil • Phone: +49 6302 9816-103 • Fax: +49 6302 9816-190 • sales@mobotix.com