



# NECROPSY DISSECTION TABLE



## NECROPSY DISSECTION TABLES

Downdraft Necropsy Station.....	2-3	Multi User Backdraft/ Downdraft Station .....	16
Small Necropsy Stations .....	4-5	Dissection Table Accessories.....	17-24
Small Necropsy Downdraft Dissection Station .....	6-7	Large Hydraulic Necropsy Table.....	25-26
Backdraft Necropsy Dissection Stations.....	8-9	Mobile Hydraulic Necropsy Stations .....	27-28
Standard Necropsy Table.....	10-11	Self-Propelled Hydraulic Necropsy Table .....	29-30
Dissection Table w/ Exhaust Chamber.....	12	Mobile Necropsy Table .....	31-32
Medium-Sized Necropsy Table .....	13	Drop-in Sink Station.....	33
Ventilated Hood Dissection Table.....	14-15	Folding Exam Table.....	34

## NECROPSY DISSECTION TABLES



Model 1036-210 Downdraft Table is a ventilated workstation for animal necropsies. The unit pulls air and odors down and away from the user when performing medical procedures.

### STANDARD DESIGN FEATURES

- Type 304 stainless steel construction
- Helic-welded seams and joints, ground and polished to match adjoining surfaces
- Radii on all inside and outside corners for easy cleaning
- Internal baffle to distribute downdraft exhaust across the entire length of the table
- Full-length perforated supports
- Rapid and positive drainage
- Access panel door
- GFCI duplex receptacle w/waterproof cover
- Plumbing and electrical lines are factory-installed and require only single-point connection at the project location
- Spray hose assembly with cold water control valve, nozzle and 10 ft./3 m. of flexible hose
- Provided with or without sink
- Manual damper

## MODEL 1036-210 DOWNDRAFT NECROPSY WORKSTATION

We carry Scalpel Blades, Scalpel Handles and Surgical Gloves.



Call for more information  
(800) 410-0100



**HYDRO ASPIRATOR**



**SPRAY HOSE ASSEMBLY**



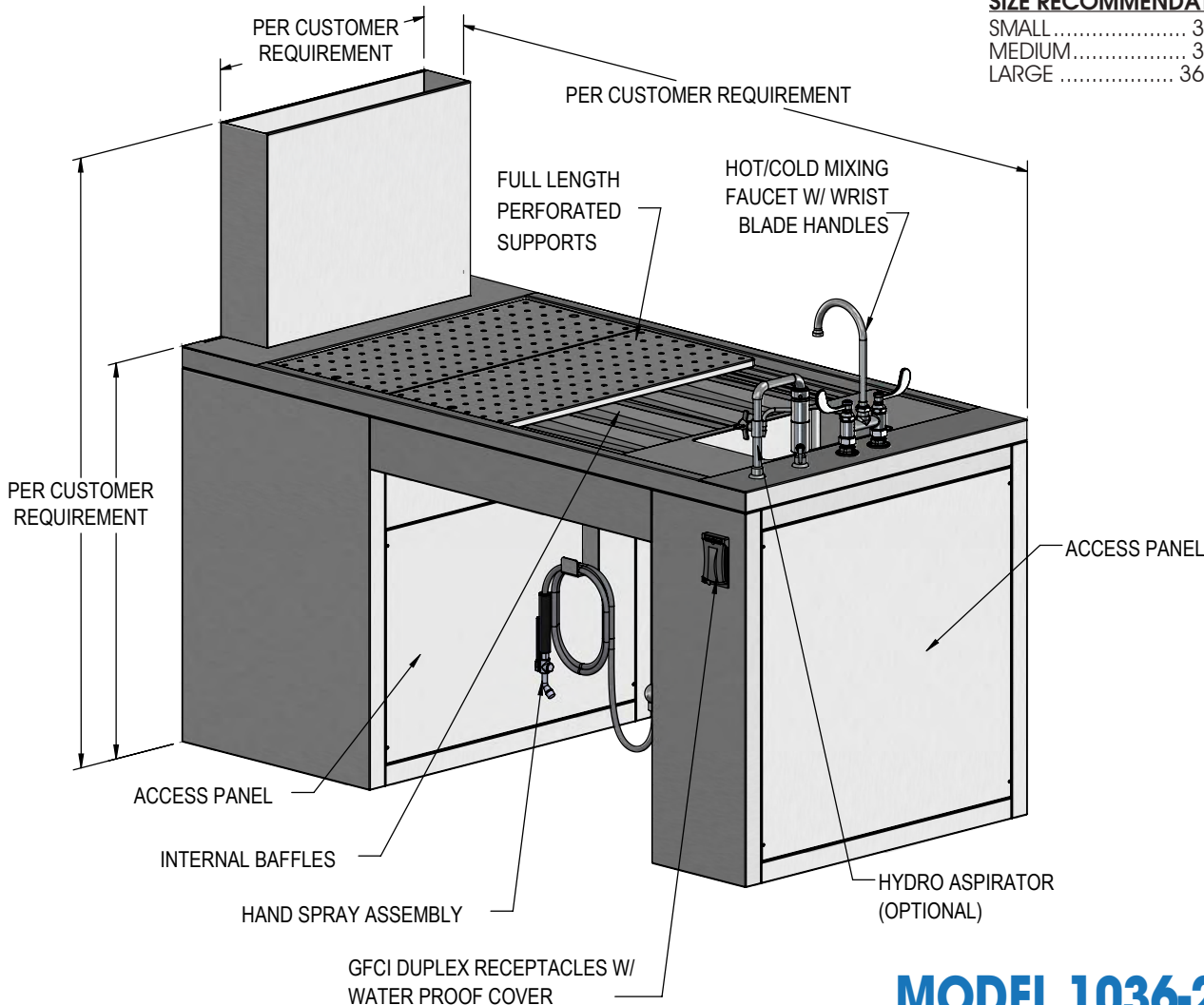
**Options based on available space**

When planning an order, we will assist you in selecting options to complete your system. Please feel free to contact us.

Custom layout and designs are available.

**Optional Features & Accessories**

See pages 9-17 to 9-19 for a full list of sink station accessories.



**SIZE RECOMMENDATIONS**

SMALL .....	30 x 60
MEDIUM.....	32 x 84
LARGE .....	36 x 120

**MODEL 1036-210 LAYOUT DRAWING & OPTIONAL FEATURES**



## NECROPSY DISSECTION TABLES



HEIGHT ADJUSTABLE VIA HYDRAULIC  
ELEVATION AVAILABLE

### STANDARD DESIGN FEATURES

Width: .....30 in./76 cm.  
Length: .....60 in./152 cm.  
Height: .....36 in./91 cm.

#### Large single Compartment Sink Basin:

Length: .....14 in./35 cm.  
Width: .....12 in./30 cm.  
Depth: .....8 in./20 cm.

- Type 304 stainless steel construction
- Heliarc-welded seams and joints, ground and polished to match adjoining surfaces
- Radii on all inside and outside corners for easy cleaning
- Hydro-aspirator with cold water control valve, nozzle, 10 ft./3 m. of flexible hose and back-flow protection
- Mixing faucet with gooseneck spout and wrist blade handles
- Heavy-duty 1/2 hp commercial disposer with switch
- Full-Length perforated supports
- Rapid and positive drainage
- Access panel door
- Hand-spray assembly w/cold water valve, nozzle & 10 ft./3 m. hose
- GFCI duplex receptacle w/waterproof cover
- Plumbing and electrical lines are factory-installed and require only single-point connection at the project location

## MODEL 1036-215 SMALL ANIMAL NECROPSY TABLE



TOTAL DOWNDRAFT VENTILATION ASSEMBLY (OPTIONAL)

DOUBLE-CONE DOWNDRAFT VENTILATION ASSEMBLY (OPTIONAL)

**Options based on available space**

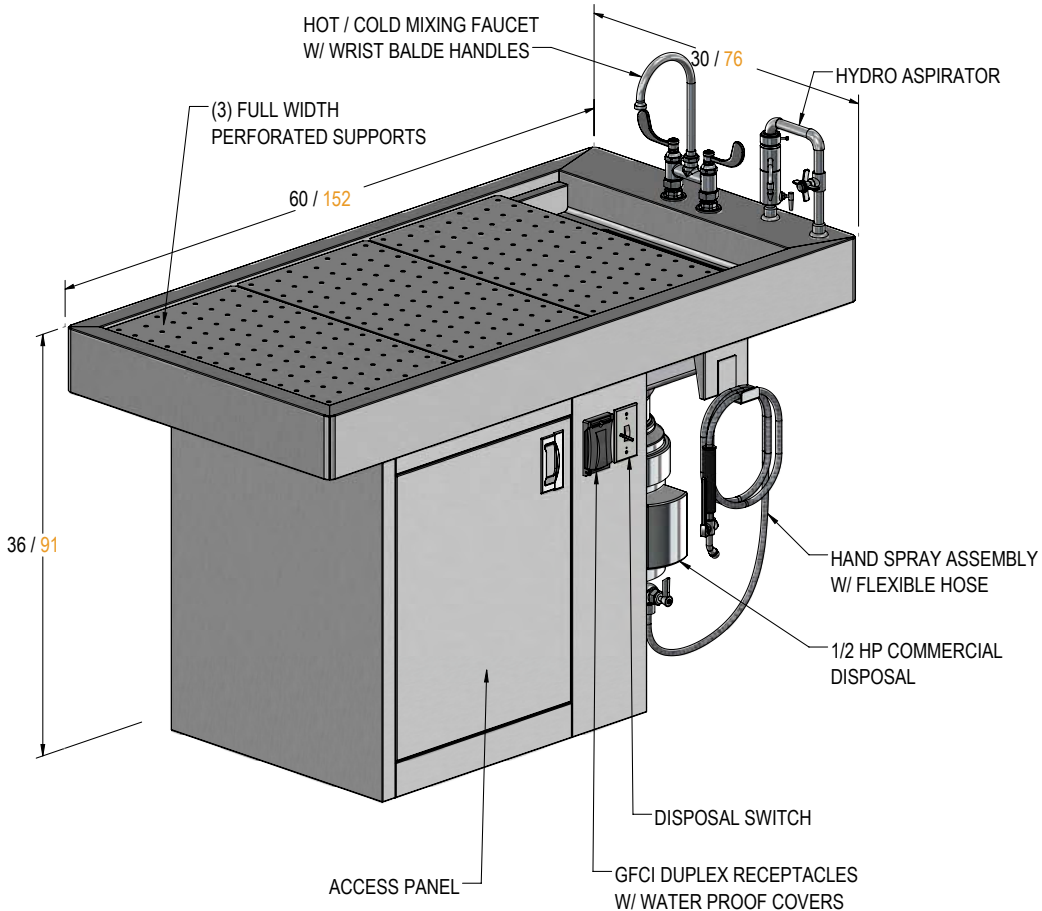
When planning an order, we will assist you in selecting options to complete your system. Please feel free to contact us.

Custom layout and designs are available.



**Optional Features & Accessories**

See pages 9-17 to 9-19 for a full list of sink station accessories.



All measurements in inches/centimeters +-

**MODEL 1036-215  
LAYOUT DRAWING & OPTIONAL FEATURES**





**CAUTION**  
INDUSTRIAL WATER  
DO NOT DRINK  
OR CONSUME



## MODEL 1036-225 SMALL NECROPSY DOWNDRAFT DISSECTION TABLE

### STANDARD DESIGN FEATURES

**Width:** .....32 in./81 cm.  
**Length:** .....60 in./152 cm.  
**Height:** .....36 in./91 cm.

### Large single Compartment Sink Basin:

**Length:** .....14 in./35 cm.  
**Width:** .....12 in./30 cm.  
**Depth:** .....8 in./20 cm.

- Type 304 stainless steel construction
- Helicarc-welded seams and joints, ground and polished to match adjoining surfaces
- Radii on all inside and outside corners for easy cleaning
- Hydro-aspirator with cold water control valve, nozzle, 10 ft./3 m. of flexible hose and vacuum breaker

- Mixing faucet with gooseneck spout and wrist blade handles
- Heavy-duty 1/2 hp commercial disposer with switch
- Spray hose assembly
- (2) Perforated dissection grids
- Rapid and positive drainage
- Removable access panel
- GFCI duplex receptacle w/waterproof cover
- Plumbing and electrical lines are factory-installed and require only single-point connection at the project location
- Downdraft exhaust provided across entire work area

We carry Scalpel Blades, Scalpel Handles and Surgical Gloves.



Call for more information  
**(800) 410-0100**





**Optional Features & Accessories**

See pages 9-17 to 9-19 for a full list of sink station accessories.

**Options based on available space**

When planning an order, we will assist you in selecting options to complete your system. Please feel free to contact us.

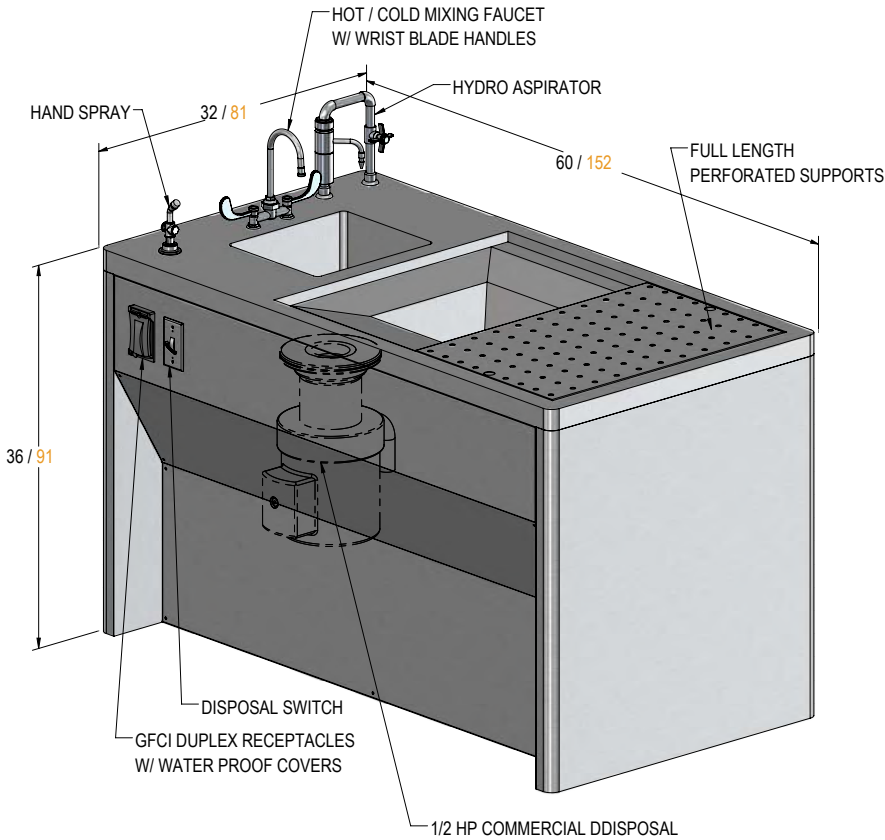
Custom layout and designs are available.



**HYDRO ASPIRATOR**



**SPRAY HOSE ASSEMBLY**



All measurements in inches/centimeters +-

**MODEL 1036-225 LAYOUT DRAWING & OPTIONAL FEATURES**



32



**MODEL 1036-232**

Our backdraft dissection stations are designed to provide an economical vented work area for controlling odors, gases and chemical fumes. We offer a variety of optional features including sinks, storage drawers and cabinets, lab gas fixtures and lighting to enable you to customize stations.

**STANDARD DESIGN FEATURES**

**Width:** ..... Per Project requirements  
**Length:** ..... Per Project requirements  
**Height:** ..... Per Project requirements

- All stainless steel construction
- Fabricated from heavy gauge 304 stainless steel with a No. 4 finish with a marine edge
- Manual adjustable damper
- Helic-welded seams and joints, ground and polished to match adjoining surfaces
- Stainless steel base frame w/adjustable leveling feet
- Backdraft ventilation provided
- Removable grill held in place with thumb screws
- Duct connection size and quantity based upon length of table



**MODEL 1036-232  
BACKDRAFT NECROPSY DISSECTION STATION**





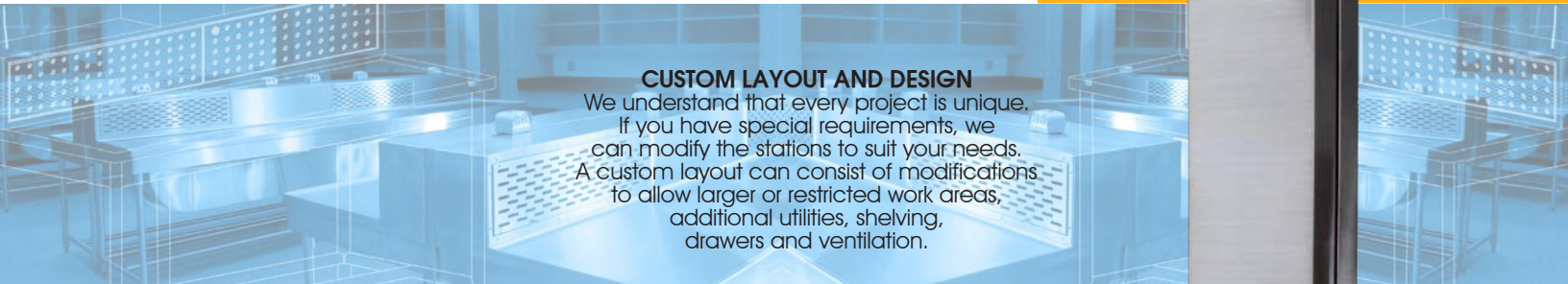
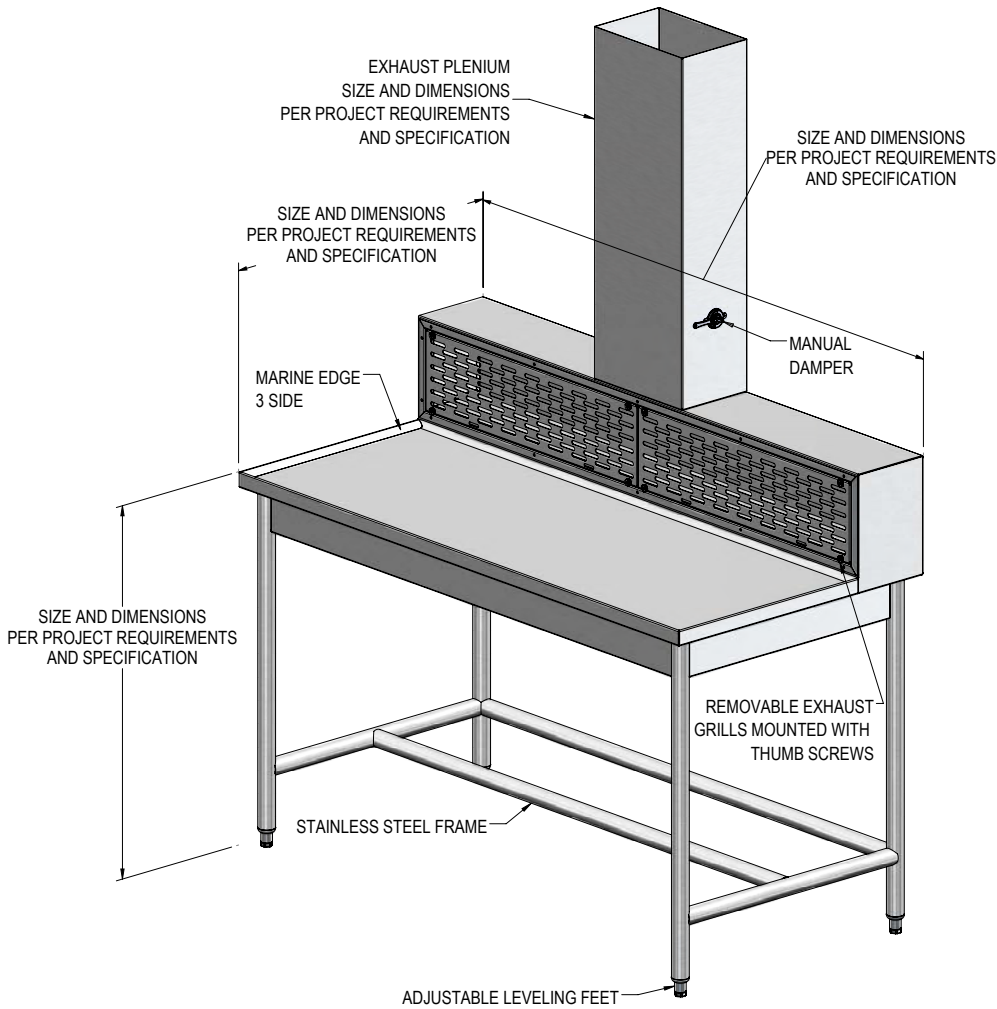
**Optional Features & Accessories**

See pages 9-17 to 9-19 for a full list of sink station accessories.

**Options based on available space**

When planning an order, we will assist you in selecting options to complete your system. Please feel free to contact us.

Custom layout and designs are available. Accessories available upon request.



**CUSTOM LAYOUT AND DESIGN**  
We understand that every project is unique. If you have special requirements, we can modify the stations to suit your needs. A custom layout can consist of modifications to allow larger or restricted work areas, additional utilities, shelving, drawers and ventilation.



**MODEL 1036-232  
LAYOUT DRAWING & OPTIONAL FEATURES**

# NECROPSY DISSECTION TABLES



## MODEL 1036-235 STANDARD NECROPSY STATION

### STANDARD DESIGN FEATURES

Width: .....30 in./76 cm.  
Length: .....72 in./182 cm.  
Height: .....36 in./91 cm.

#### Large single Compartment Sink Basin:

Length: .....14 in./35 cm.  
Width: .....12 in./30 cm.  
Depth: .....8 in./20 cm.

- Type 304 stainless steel construction
- Heliarc-welded seams and joints, ground and polished to match adjoining surfaces
- Radii on all inside and outside corners for easy cleaning
- Stainless steel base frame w/adjustable leveling feet
- Mixing faucet with gooseneck spout and wrist blade handles
- Full-length perforated grid supports
- Rapid and positive drainage
- GFCI duplex receptacle w a/waterproof cover
- Plumbing and electrical lines factory-installed and required only single point connection at the project location
- Unit can be sized per your project requirements

We carry Scalpel Blades, Scalpel Handles and Surgical Gloves.



Call for more information  
(800) 410-0100

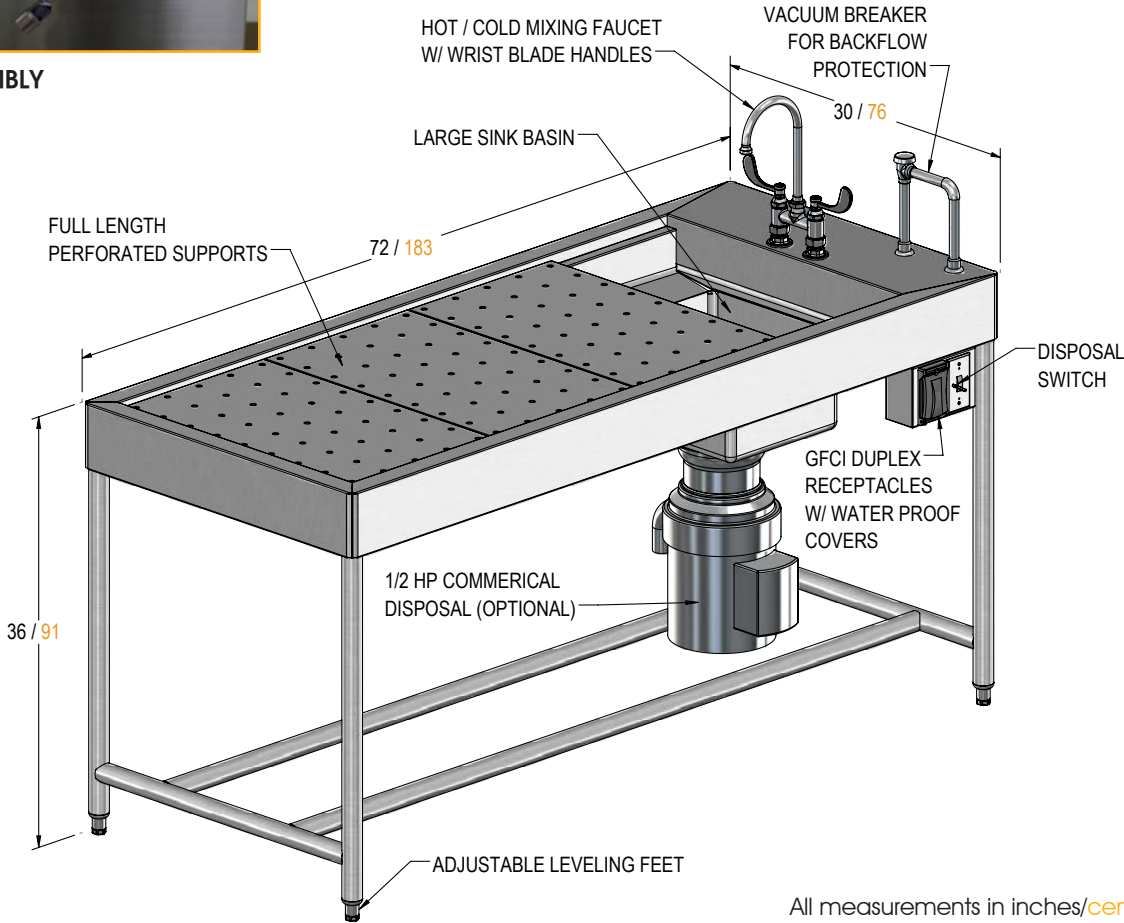




HYDRO ASPIRATOR



SPRAY HOSE ASSEMBLY



All measurements in inches/centimeters +-

# MODEL 1036-235 LAYOUT DRAWING & OPTIONAL FEATURES



## NECROPSY DISSECTION TABLES

### Model 1036-234

The necropsy table features ventilation across the entire work area and provides a better working environment for students by removing odors and fumes.

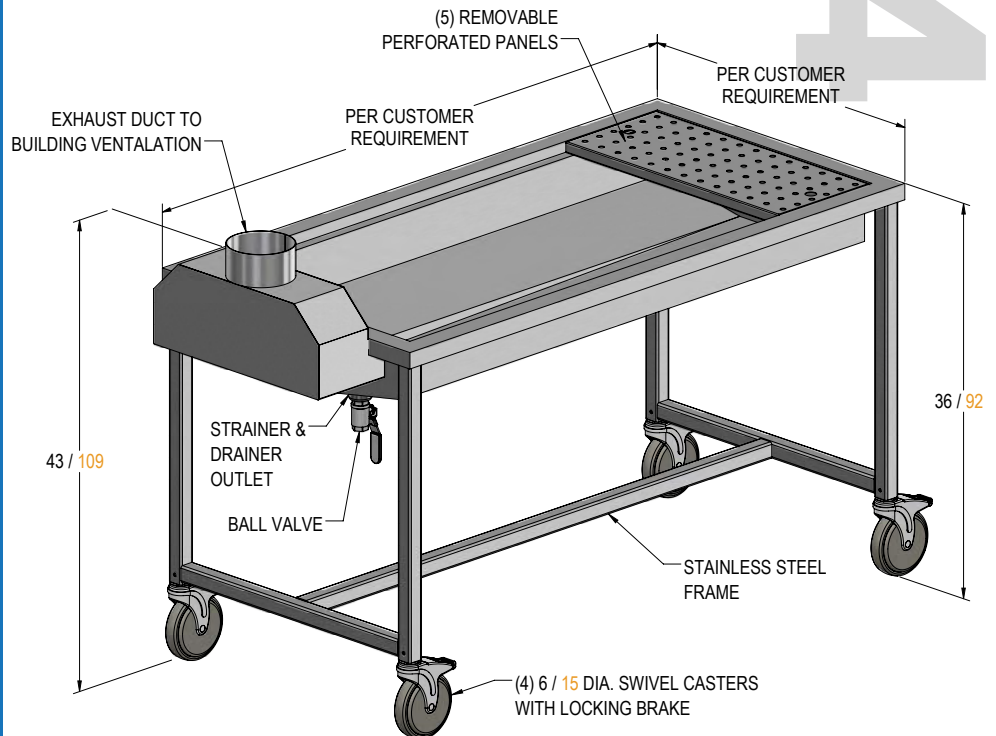
### STANDARD DESIGN FEATURES

Height table: ..... 36 in./91.44 cm.  
Height overall: ..... 43 in./126 cm.

### LENGTH AND WIDTH PER CUSTOMER REQUIREMENTS

- 6 in./15 cm. diameter exhaust connection at one or both ends of table
- Table drain pan to slope under plenum for easy drainage
- 1.5 in./1 cm. Ball Valve provided on drain for hose attachment and fluid control
- 6 in./15 cm. casters, all with brake mechanism
- All stainless steel construction
- Fabricated from heavy gauge 304 stainless steel with a No. 4 finish.
- Removable perforated grid plates around perimeter of work surface to provide proper ventilation
- Center plenum located below work surface along entire length of table
- Easily removable stainless steel air distribution baffle to create uniform downdraft air velocity across entire work surface
- Optional accessories:
  - Stainless steel bucket holder (bucket optional)

# MODEL 1036-234 MOBILE DOWNDRAFT NECROPSY TABLE



## Optional Features & Accessories

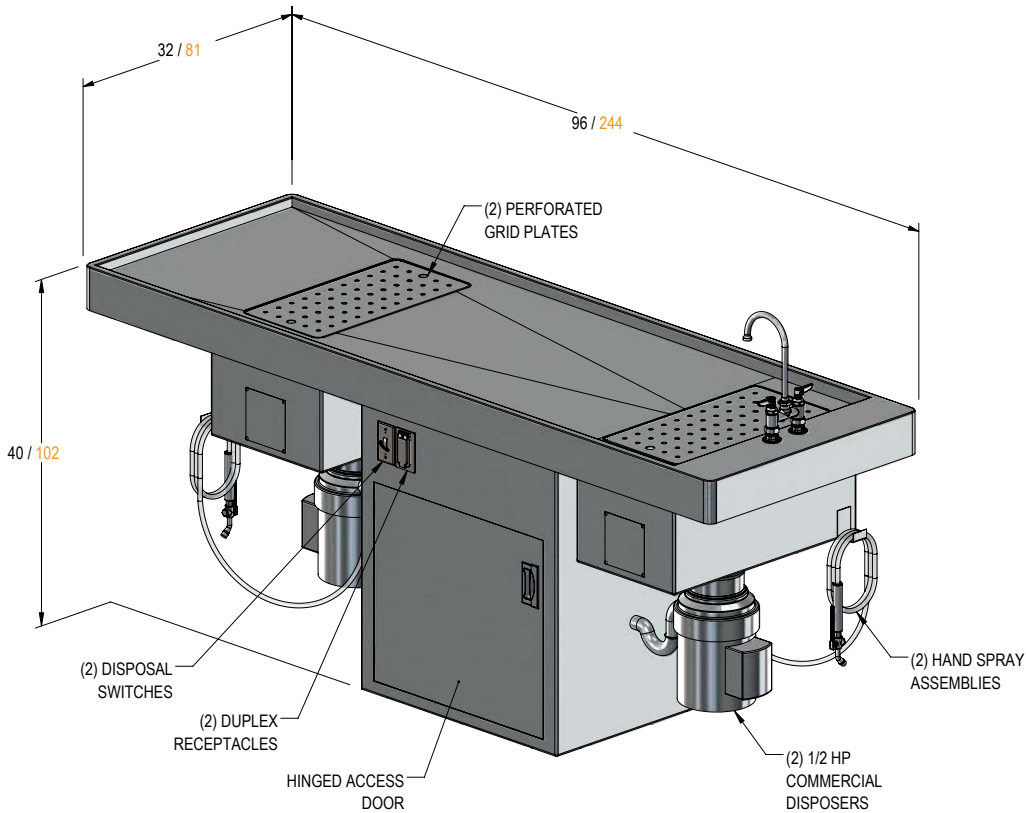
See pages 9-17 to 9-19 for a full list of sink station accessories.

All measurements in inches/centimeters +-



**Optional Features & Accessories**

See pages 9-17 to 9-19 for a full list of sink station accessories.



**STANDARD DESIGN FEATURES**

- Width: .....32 in./81 cm.
- Length: .....96 in./243 cm.
- Height: .....40 in./101 cm.

**(2) Large single Compartment Sink Basin:**

- Length: .....24 in./60 cm.
- Width: .....12 in./30 cm.
- Depth: .....8 in./20 cm.

- Type 304 stainless steel construction
- Helic-welded seams and joints, ground and polished to match adjoining surfaces
- Radii on all inside and outside corners for easy cleaning
- Downdraft ventilation provided at each sink location
- (2) Spray hose assemblies with cold water control valves, nozzles, 10 ft./3 m. of flexible hose and back flow prevention
- Removable perforated sink covers
- Mixing faucet with gooseneck spout and wrist blade handles
- (2) Heavy-duty 1/2 hp commercial disposers with switches
- Rapid and positive drainage
- Removable access panel
- (2) GFCI duplex receptacle w/waterproof cover
- Plumbing and electrical lines are factory-installed and require only single-point connection at the project location





1036-240

## MODEL 1036-240 VENTILATED HOOD DISSECTION TABLE

### STANDARD DESIGN FEATURES

Width: .....28 in./71 cm.  
 Length: .....60 in./152 cm.  
 Height: ..... Per Project requirements

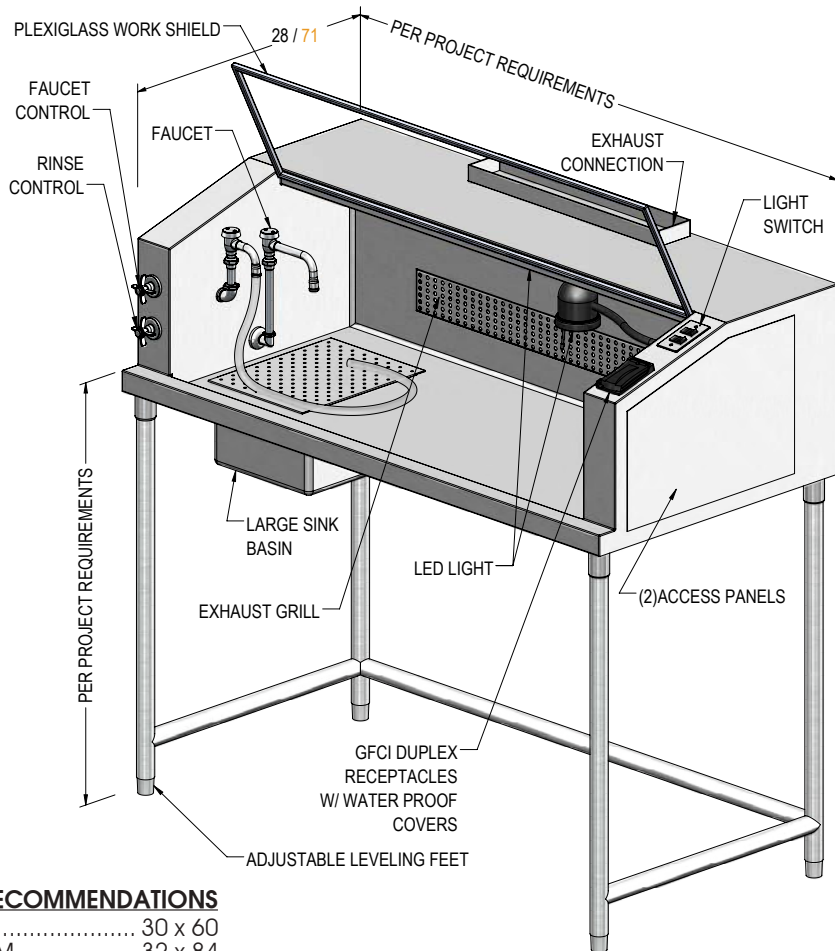
### Large single Compartment Sink Basin:

Length: .....14 in./35 cm.  
 Width: .....12 in./30 cm.  
 Depth: .....8 in./20 cm.

- Fabricated from heavy gauge 304 stainless steel with a No. 4 finish
- Heliarc-welded seams and joints, ground and polished to match adjoining surfaces
- Radii on all inside and outside corners for easy cleaning

- Stainless steel base frame w/adjustable feet
- Faucet with cold water control
- Hose rinse assembly with cold water control
- Rapid and positive drainage
- Hinged plexiglass workshield
- LED light fixture
- GFCI duplex receptacle w/waterproof cover
- Plumbing and electrical lines are factory-installed and require only single-point connection at the project location





**SIZE RECOMMENDATIONS**

SMALL .....	30 x 60
MEDIUM .....	32 x 84
LARGE .....	36 x 120



**Optional Features & Accessories**

See pages 9-17 to 9-19 for a full list of sink station accessories.

**Options based on available space**

When planning an order, we will assist you in selecting options to complete your system. Please feel free to contact us.

Custom layout and designs are available.



**MODEL 1036-240 LAYOUT DRAWING & OPTIONAL FEATURES**

**CUSTOM LAYOUT AND DESIGN**

We understand that every project is unique. If you have special requirements, we can modify the stations to suit your needs. A custom layout can consist of modifications to allow for a larger or restricted work area, as well as additional utilities, shelving, drawers and ventilation.





## MODEL 1036-273 MULTI-USER BACKDRAFT/DOWNDRAFT STATION

### STANDARD DESIGN FEATURES

**Standard size:**

**Width:** .....70 in./177 cm.

**Length:** .....66 in./167 cm.

**Height:** .....32.5 in./82 cm.

- Type 304 stainless steel construction
- Heliarc-welded seams and joints, ground and polished to match adjoining surfaces
- (4) Hinged access doors
- (4) 18 ga./ stainless steel perforated work surface panels recessed by .25 in./ to prevent fluids escaping.
- (4) GFCI duplex receptacle w/waterproof cover
- Backdraft/downdraft exhaust provided to each work area
- Handicap accessible
- WALL MOUNT configuration: 1 person, 2 person, etc.
- ISLAND MOUNT configuration: 2 person, 4 person, etc.

**We carry Scalpel Blades, Scalpel Handles and Surgical Gloves.**



**Call for more information  
(800) 410-0100**





## NECROPSY DISSECTION TABLES

### Options based on available space

When planning an order, we will assist you in selecting options to complete your system. Feel free to contact your sales associate.

Pictured accessories may differ depending on your unit and other optional accessories. Not all accessories available for all models. Please review the model's standard features to ensure accuracy of specifications.



### LC-50 - 1/2 HP HEAVY DUTY COMMERCIAL DISPOSER

Standard on most sinks. Variable power options. Available in 1/2, 1 or 2 HP.



### SS-100, SS-200 - HEAVY DUTY COMMERCIAL DISPOSER

Variable power options. Available in 1 or 2 HP.



### OA-100-DM - CO2/NATURAL GAS VALVES

All brass with chrome plated finish. Deck Mounted. Visually marked for type of function required.



### OA-101-DM - COMPRESSED AIR VALVE

All brass with chrome plated finish. Deck Mounted. Visually marked for type of function required.



### OA-102-DM - VACUUM VALVES

All brass with chrome plated finish. Deck Mounted. Visually marked for type of function required.



### OA-100-WM - CO2/NATURAL GAS VALVES

All brass with chrome plated finish. Wall Mounted. Visually marked for type of function required.



### OA-101-WM - COMPRESSED AIR VALVE

All brass with chrome plated finish. Wall Mounted. Visually marked for type of function required.



### OA-102-WM - VACUUM VALVES

All brass with chrome plated finish. Wall Mounted. Visually marked for type of function required.



### OA-111 - EMERGENCY EYEWASH / HOSE ASSEMBLY

Hand controlled spray to provide a gentle flow of water to rinse eyes of foreign debris.



### OA-112 - EYEWASH / FAUCET ASSEMBLY

Deck mounted eye wash for hands free eye wash or can be removed for use as a drench hose for eye, face, or body use coverage.



### OA-113 - EYEWASH - FLIP DOWN STYLE

Wall mounted polished chrome-plated brass single action pull down activated eye/face wash.

### CUSTOM LAYOUT AND DESIGN

We understand that every project is unique. If you have special requirements, we can modify the stations to suit your needs. A custom layout can consist of modifications to allow larger or restricted work areas, additional utilities, shelving, drawers and ventilation.

## NECROPSY DISSECTION TABLES

Pictured accessories may differ depending on your unit and other optional accessories. Not all accessories available for all models. Please review the model's standard features to ensure accuracy of specifications.



**OA-500 - TABLE END RINSE ASSEMBLY**  
Washes debris towards sink basin controlled by cold water valve or hands free control with back flow prevention.



**OA-501 - THREE SIDED RINSE ASSEMBLY**  
Provides a rinse to gently wash debris and non-viable material away from the work area. A sturdy stainless steel assembly controlled by an ON/OFF valve.



**OA-507 - HOT AND COLD FOOT VALVE**  
Sturdily constructed hot/cold foot pedal helps temper water and keep your hands free while working.



**OA-215 - SPRAY RINSE WITH CONTROL VALVE AND VACUUM BREAKER** Wall mounted spray rinse hose assembly.



**OA-506 - SPRAY HOSE ASSEMBLY WITH BACKFLOW & RECOIL HOSE** Wash off contaminants and debris with flexible and wide reaching recoil hose.



**OA-204 - HANDS FREE MIXING FAUCET**  
Toggle a steady stream of water with this motion activated sensor.



**OA-203 - ADDITIONAL MIXING FAUCET WITH VACUUM BREAKER** Add an additional faucet with vacuum breaker included.



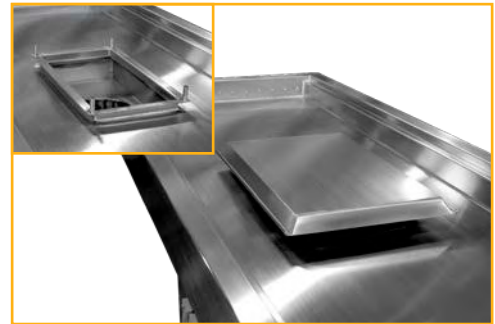
**OA-511 - 3 WAY DIVERTER DRAIN**  
Change direction of drainage flow using a directional control knob.



**OA-505 - FULL PERFORATED GRID PLATES**  
Specify Model.



**DD - DOWNDRAFT VENTILATION ASSEMBLY - CONE**



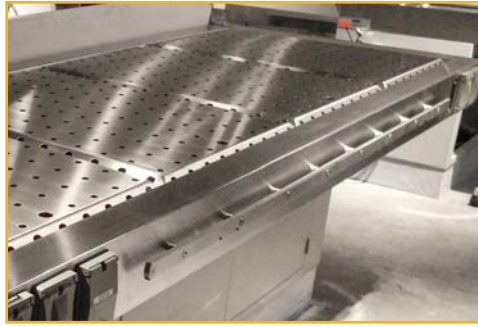
**TD - TOTAL DOWNDRAFT VENTILATION ASSEMBLY**

Pictured accessories may differ depending on your unit and other optional accessories. Not all accessories available for all models. Please review the model's standard features to ensure accuracy of specifications.

## NECROPSY DISSECTION TABLES



**OA-525 - SINK COVER - PERFORATED**



**OA-502 - TIE DOWN BARS**

Provides a conveniently placed bar to secure animals during surgery and necropsy procedures. 3 ft. section/2 ties multiply per table length and sides required.



**OA-503 - NYLON TIE STRAP**

Conveniently secure animals during surgery and necropsy procedures.



**OA-510 - HYDRO-ASPIRATOR ASSEMBLY, DECK MOUNT** With built-in vacuum breaker and control lever used to reverse the flow of water directing it through the hose connections for drawing fluid or rinsing.



**LW481 - ASPIRATOR EXTENSION**

Fabricated from chrome plated brass. and provides further safety against polluted backflow.



**LW482 - NON-CLOGGING ASPIRATOR HEAD** Prevents large debris from entering and clogging the system.



**AHT - TROCAR TUBING**

10 ft. min., priced per foot. Clear vinyl Aspirator/Trocar tubing. Internal diameter of .375 in. and outside diameter of .625 in.



**AHS - ASPIRATOR DISCHARGE TUBING**

3 ft. min., priced per foot. Splash tubing for aspirator drain, embalming and autopsy tops. Internal diameter of 1 in. and outside diameter of 1.25 in.



**OA-152 - HANDS FREE SOAP DISPENSERS**

High-efficiency pump mechanism provides quick and precise dispensing. Easy-to-use button control and the wide opening makes refills fast, easy and mess-free. (2) models available: Deck and Wall Mount.



**OA-526 - STAINLESS STEEL WORK AREA DIVIDERS**



**OA-154 - SHARPS DISPOSAL CONTAINER**

Solution for disposal of needles, syringes, and lancets, as well as other types of sharps and small quantities of medical waste.



**OA-126 - VENTILATED TRASH CONTAINER**

Stainless steel construction, removable top lid, holds 13 gallon trash liner, 1.5 in. duct attaches to station exhaust system for fume removal, Container size: 13 in. x 13 in. x 29 in.

## NECROPSY DISSECTION TABLES



**OA-136 - MONITOR AND KEYBOARD MOUNT** Allows full articulation of the flat panel monitor and keyboard, folds up over the mount and extends up to 11 in. Available as wall mount or 19 in. track.



**OA-166 - SINGLE TABLET MOUNT** Spring loaded cradle expands and contracts to fit most tablets. Securely holds with exceptional range of motion.



**OA-167 - LAPTOP MOUNT** Allows full articulation of laptop platform, folds up over the mount and extends up to 11 in. Available as wall mount or 19 in. track.



**OA-145 - CPU WALL MOUNT** Designed to fit CPU's from 4, 6, and 8 in. wide. Units are constructed from heavy duty aluminum, with neoprene padding to protect your CPU as it is clamped securely into the mount.

### Build Your Own Mount

Mortech can offer numerous configuration options, solutions and combinations:

- Over 2,000 modular arm designs that can be adapted to your needs.
- Custom bracket and attachment options to fit your specific device.
- Fully custom mounts to meet your unique challenge

#### ARM SEGMENTS



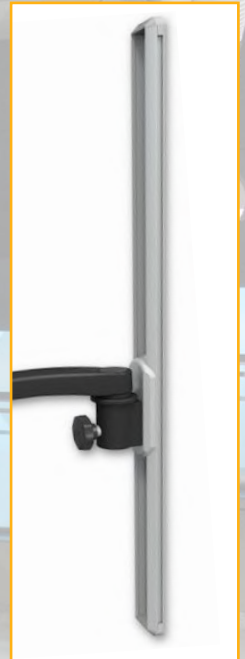
When configuring your custom setup, please consider these questions:

- *Mounting to what surface?*
- *Mounting a flat panel monitor?*
- *Mounting a keyboard?*
- *Mount type?*
- *What arm segments?*
- *Arm segment length?*
- *Separate arms?*
- *Keyboard tray size?*
- *Keyboard tray type?*

#### WALL MOUNT



Pictured accessories may differ depending on your unit and other optional accessories. Not all accessories available for all models. Please review the model's standard features to ensure accuracy of specifications.



#### TRACK MOUNT

Pictured accessories may differ depending on your unit and other optional accessories. Not all accessories available for all models. Please review the model's standard features to ensure accuracy of specifications.

## NECROPSY DISSECTION TABLES



**OA-124 - LED MAGNIFIER LIGHT**  
Flexible spring-balanced articulating arm, handle in shade permits easy positioning.



**OA-156 - FLEX ARM LED LIGHT**  
Adjustable to all angles using a 30 in. flexible arm and powerful LED bulb.

Pictured accessories may differ depending on your unit and other optional accessories. Not all accessories available for all models. Please review the model's standard features to ensure accuracy of specifications.



**SLSE50-DK - SURGICAL EXAM LIGHT**  
Delivers best in class intensity and color. Dual lens optical system collects and concentrates light into a precise beam.



**M184042 - SLMAG - MAGNIFYING EXAM LIGHT** World class optics, performance and precision movement. The perfect combination of light quality, positionability and large viewing area.



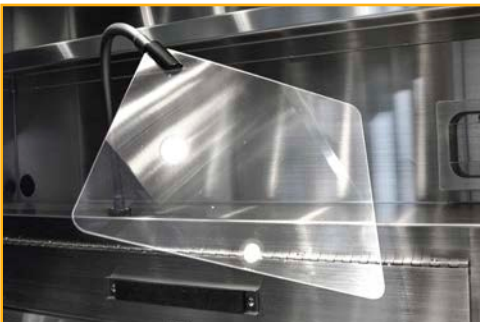
**WAVE - LED MAGNIFIER LIGHT**  
Large viewing area and LED energy saving technology with a 3.5 diopter magnifier.



**LW418 - ELECTRONIC SCALE - PLATFORM**  
**6.5 in. x 5.5 in. Platform, 2000g.**  
Compact, lightweight, portable and perfectly suited for laboratory and educational purposes. 2200 x .1 gm.



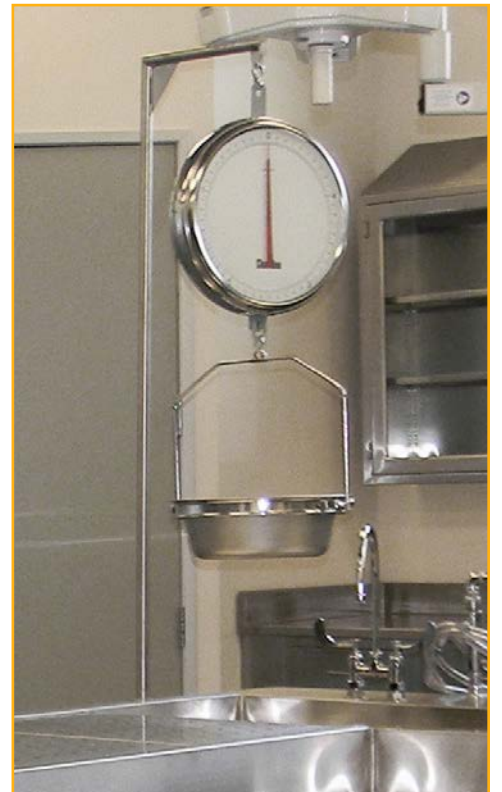
**LW419 - ELECTRONIC SCALE - PLATFORM**  
**6.6 in. x 6 in. Platform, 2100g.**  
Compact, lightweight, portable and perfectly suited for laboratory and educational purposes. 2200 x .1 gm.



**OA-141 - SAFETY SPLASH GUARD**  
Mounted per customer specification. Articulating arm allows protection for both specimen and user from cross contamination.



**LW425 - ELECTRONIC SCALE - PLATFORM**  
**6 in. Platform, 2000g.**  
Compact, lightweight, portable and perfectly suited for laboratory and educational purposes. 2200 x .1 gm.



**LW411 - SCALE POLE AND MOUNTING BRACKET** For use with standard hanging autopsy scale. Pole can swivel left and right, and includes locking knob.

## NECROPSY DISSECTION TABLES



**OA-158 - STAINLESS C-FOLD PAPER TOWEL HOLDER** Surface mounted towel dispenser. Fabricated of type 304, 22 gauge stainless.



**OA-159 - STAINLESS C-FOLD PAPER TOWEL HOLDER - OPEN DESIGN** Surface mounted towel dispenser with open design.



**OA-148-1 - ADJUSTABLE STAINLESS STEEL SHELF - ONE** All stainless steel construction adds storage space for accessories. Adjustable shelf is 12 in. L x 7.5 in D.



**OA-148-2 - ADJUSTABLE STAINLESS STEEL SHELF - TWO** All stainless steel construction adds storage space for accessories. Adjustable shelf is 12 in. L x 7.5 in D.



**OA-149 - STATIONARY STAINLESS STEEL SHELF - ONE** All stainless steel construction adds storage space for accessories. Stationary shelf is 12 in. L x 7.5 in D.



**OA-252 - FOLDING EXTENSION SHELF** Stainless steel construction adds storage space for accessories. Up to 36 in. W x 24 L. in.



**OA-127 - UTILITY DRAWER** Constructed of all stainless steel, this drawer is ideal for additional storage of utensils, office supplies or personal items



**OA-128 - WRITING PLATFORM** Sturdy stainless steel construction provides a reliable smooth surface for writing and conveniently hides away.



**OA-129 - COMBO UTILITY DRAWER / WRITING PLATFORM** Conveniently combines both accessories in one, a writing platform with storage drawer underneath.



**OA-133 - FORM HOLDER** Sturdy construction and can be mounted to store documents away from any fluids and risk of damage, (2) provided standard.



**OA-125-24, OA-504-48, OA-302-78 - REMOVABLE MEASURING RULER** Available in 24 in., 48 in. and 78 in. Provides a convenient measuring device, easily accessed and mounted in plain sight.



**OA-175 - DIGITAL AIR FLOW MONITOR & ALARM** Ensure your ventilation system is functioning at capacity and your workspace is free of harmful fumes.

Pictured accessories may differ depending on your unit and other optional accessories. Not all accessories available for all models. Please review the model's standard features to ensure accuracy of specifications.

## NECROPSY DISSECTION TABLES



**LW385, LW386, LW387 - DISSECTING BOARDS** Available in 24 in. x 18 in., 18 in. x 12 in. & 20 in. x 15 in.



**LW389 - PHOTO-BLUE DISSECTING BOARD** Manufactured from high-density polyethylene, providing an excellent cutting surface. Bottom corners have a non-skid rubber foot attached.



**LW379 - DISSECTING BOARDS w/ 3 in. LEGS** Manufactured from high density polyethylene. Provides an excellent cutting surface. 20 in length x 15 in width x .75 in thick cutting board



**LW379A - RAISED DISSECTING PLATFORM** Manufactured from high density polyethylene with adjustable legs. Provides an excellent cutting surface. Color is photo blue.



**LW380 - INSTRUMENT DISSECTING TRAY** Stainless steel construction. Heavy gauge material provides a highly stable work surface. Tray creased toward center drain with optional hose attachment to route flow. Custom heights available.



**LW390 - HEADREST**  
**LW390-A - HEADREST - Aluminum**  
**LW390-B - HEADREST - Black**



**LW485 - EVIDENCE SCREEN** Designed to prevent evidence from being washed down drain. Fabricated from perforated stainless steel. For use in 3.5 in. diameter drains.



**LW487 - ORGAN RINSE BASKET** Designed to hang on the interior of the sink basin. Ideal for rinsing organs. Fabricated from stainless steel with a perforated bottom.



**OA-144 - MAGNETIC INSTRUMENT HOLDER** Conveniently store and organize your instruments.



**OA-520, OA-521 - DRAWER ASSEMBLY** Add a utility drawer. Available in single and double.



**OA-523 - MAGNAHELIC GAUGE** Quickly indicates air or noncorrosive gas pressures—either positive, negative (vacuum) or differential.



**OA-147-1, OA-147-2, OA-147-3 - GLOVE BOX HOLDER** Stainless Steel support to hold latex and nitrile glove boxes, holders come in a side or top load model. Available in 1, 2, & 3 capacity.

**Also Available:**

**OA-524 -**  
**FLUID HOLDING TANK,**  
**50 GAL., WITH CASTERS**

**OA-530 -**  
**HEIGHT ADJUSTMENT,**  
**6 IN., ELECTRIC**

**OA-535 -**  
**HEIGHT ADJUSTMENT,**  
**6 IN., HAND CRANK**



**OA-512 - FORMALIN CARBOY W/ SPIGOT**  
 Space saving rectangular shape and chemical resistant holds 9 liters.

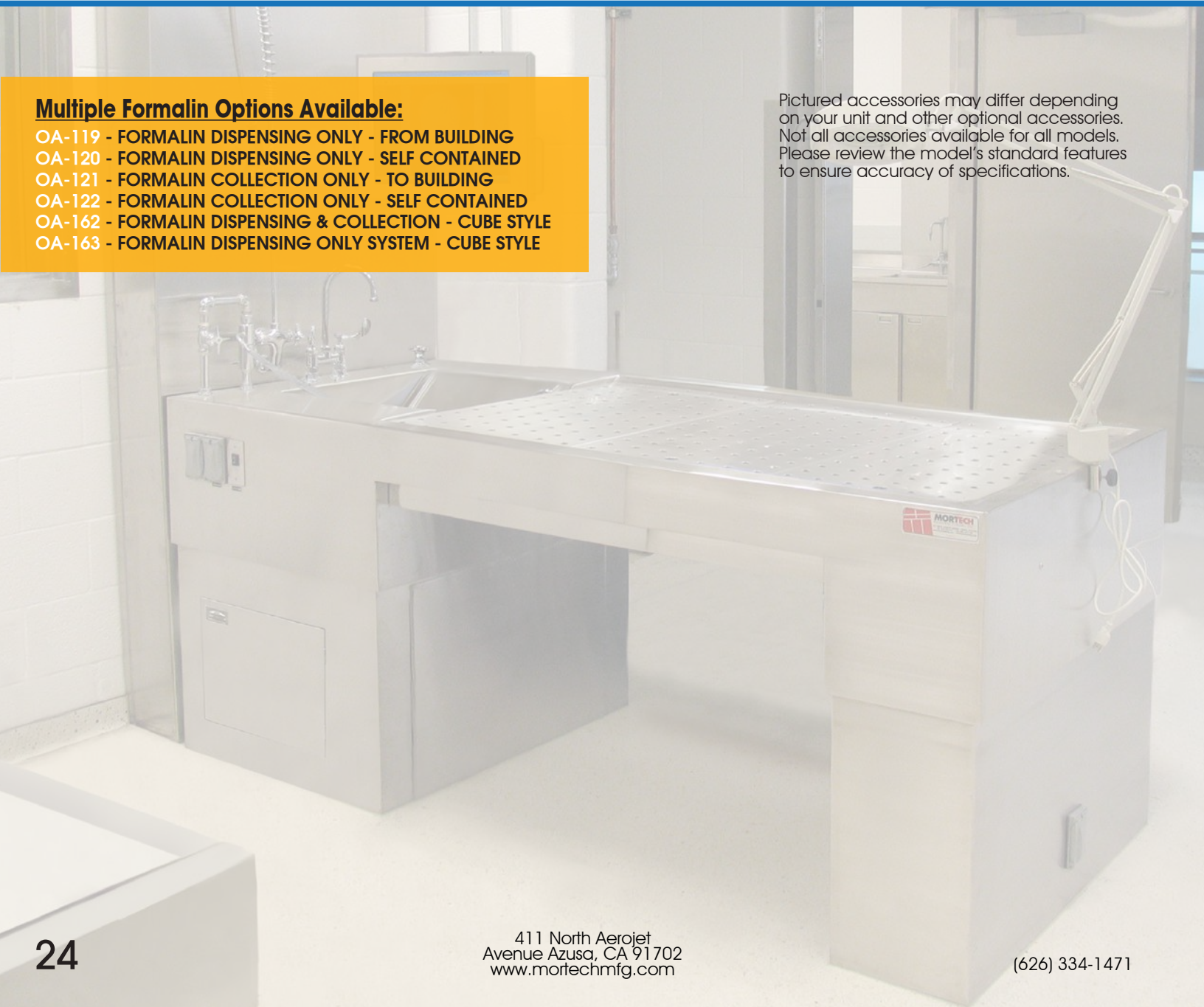


**OA-515 - FORMALIN DISPENSING AND COLLECTION** 2.5 gal. container and receptacle hold reserve formalin and collects waste. Foot controlled motor dispenses formalin at a steady flow. Conveniently placed formalin supply spout included.

**Multiple Formalin Options Available:**

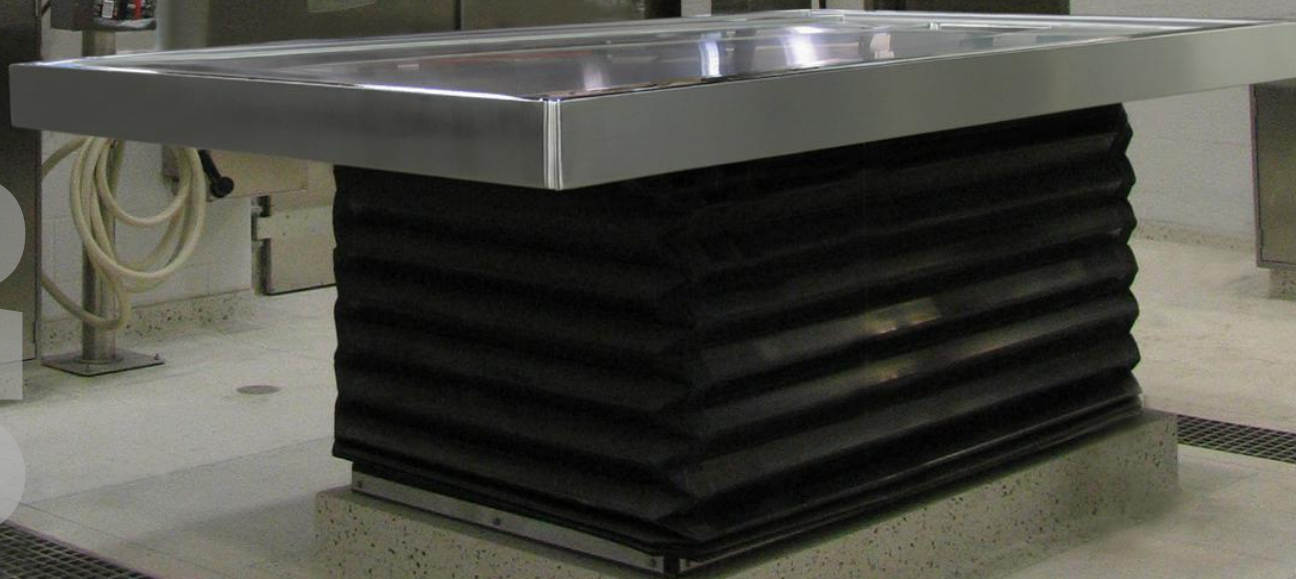
- OA-119 - FORMALIN DISPENSING ONLY - FROM BUILDING
- OA-120 - FORMALIN DISPENSING ONLY - SELF CONTAINED
- OA-121 - FORMALIN COLLECTION ONLY - TO BUILDING
- OA-122 - FORMALIN COLLECTION ONLY - SELF CONTAINED
- OA-162 - FORMALIN DISPENSING & COLLECTION - CUBE STYLE
- OA-163 - FORMALIN DISPENSING ONLY SYSTEM - CUBE STYLE

Pictured accessories may differ depending on your unit and other optional accessories. Not all accessories available for all models. Please review the model's standard features to ensure accuracy of specifications.





1036-250



## MODEL 1036-250 LARGE HYDRAULIC NECROPSY TABLE

### STANDARD DESIGN FEATURES

Length: ..... 108 in./274 cm.  
 Height: ..... 15 in./38 cm. (Lowest)  
 Height: ..... 36 in./91 cm. (Highest)  
 Width: ..... 66 in./167 cm.

- U-shaped table is designed for use as a large animal necropsy table. It features all heavy-gauge stainless steel construction.
- The unit is designed to handle a centralized load up to 5,000 lbs./ and an offset load up to 2,500 lbs./
- The inner frame support is fabricated from heavy gauge SS tubing

- The table top and inner frame support are attached to an electrically-powered hydraulic scissor lift.
- The lift is floor mounted and has a capacity up to 6,000 lbs./ (~230v/50-60Hz/1Ph - 1.5 hp motor)
- A drain opening located on the back edge of the table. The back edge is the side opposite the "U" shaped indent
- Accordion-style bellows surround the scissor lift, allowing for complete wash down of the unit
- Easy-to-use up/down elevation control
- Lighter capacity mobile units also available

Inground lifting devices are available. Please contact us for details and special installation requirements

Need additional accessories for your facility



Call for more information  
(800) 410-0100

# NECROPSY DISSECTION TABLES



EXPOSED PISTON SHOWN  
RECESSED INTO THE GROUND

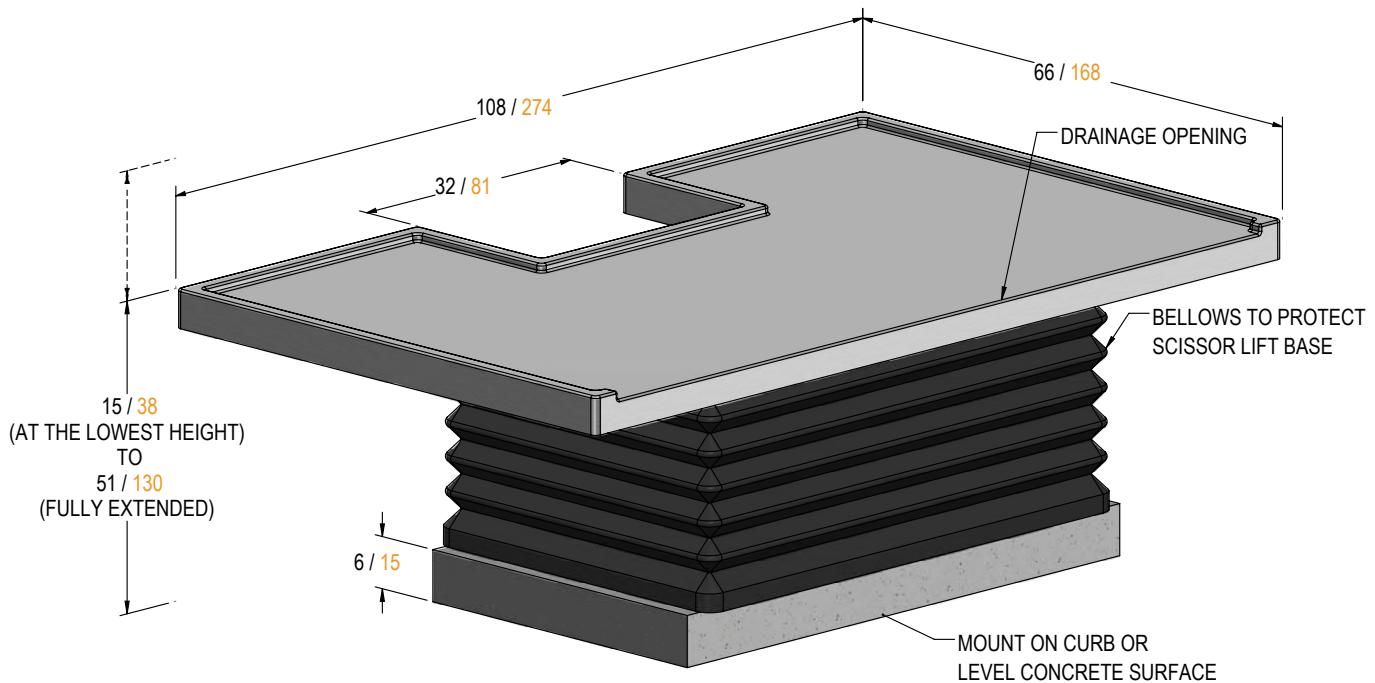
Model 1036-250 Inground Lifting Device



## Optional Accessories

- Type 316 stainless steel (top only)
- Removable measuring ruler
- Instrument tray
- Tie down bars w/adjustable cleats
- Nylon strap for tie down
- Postmortem scale w/scale pole and bracket
- Postmortem digital scale w/scale pole and bracket
- Polyethylene cutting boards

See pages 9-16 to 9-17 for a full list of sink station accessories.



## MODEL 1036-250 LAYOUT DRAWING & OPTIONAL FEATURES

All measurements in inches/centimeters +-



# MODEL 1036-250-M MOBILE HYDRAULIC NECROPSY TABLE

## STANDARD DESIGN FEATURES

Length: ..... 96 in./243 cm.  
Height: .....21 in./53 cm.(Lowest)  
Height: .....57 in./144 cm.(Highest)  
Width: ..... 60 in./152 cm.

- U-shaped table is designed for use as a large animal necropsy table. It features all heavy-gauge stainless steel construction
- The unit is designed to handle a centralized load up to 5,000 lbs./ and an offset load up to 2,500 lbs./
- The inner frame support is fabricated from heavy gauge steel tubing
- The table top and inner frame support are attached to an electrically-powered hydraulic scissor lift. The lift has a capacity up to 6,000 lbs./ (~115v / 60 Hz / 1 Ph - 1 hp motor)

- A drain opening located on the back edge of the table. The back edge is the side opposite the "U" shaped indent
- Accordion-style bellows surround the scissor lift, allowing for complete wash down of the unit
- Easy-to-use up/down elevation control
- Provided with (2) swivel and (2) non swivel casters
- Floor-brake to secure in place
- Tabletop can be sized to your specific project requirements

1036-250-M

Need additional accessories for your facility



Call for more information  
(800) 410-0100

Model 1036-250M has different style table tops to fit your needs



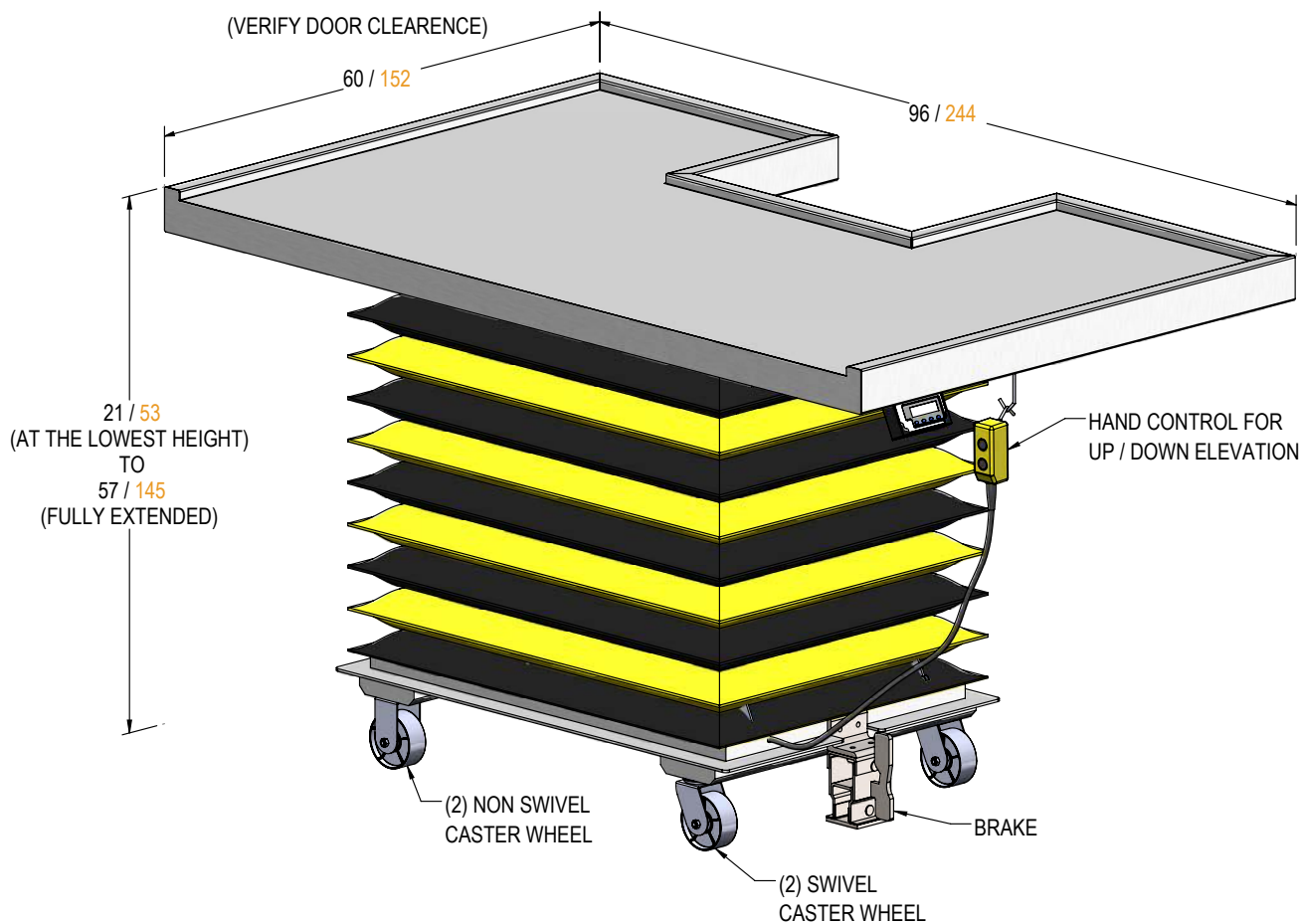
## Optional Accessories

- Type 316 stainless steel (top only)
- Removable measuring ruler
- Instrument tray
- Tie down bars w/adjustable cleats
- Nylon strap for tie down
- Polyethylene cutting boards
- Retractable electrical cord reel

### Options based on available space

When planning an order, we will assist you in selecting options to complete your system. Please feel free to contact us.

Custom layout and designs are available.



All measurements in inches/centimeters +-

# MODEL 1036-250-M LAYOUT DRAWING & OPTIONAL FEATURES

# NECROPSY DISSECTION TABLES



## STANDARD DESIGN FEATURES

Length: ..... 84 in./213 cm.  
Height: ..... 14 in./35 cm. (Lowest)  
Height: ..... 50 in./127 cm. (Highest)  
Width: ..... 48 in./121 cm.

- Table is designed for use as a large animal necropsy table. It features all heavy gauge SS construction
- The unit is designed to handle a centralized load up to 5,000 lbs./ 2267 kg, and an offset load up to 2,500 lbs./1113 kg.
- The inner frame support is fabricated from heavy-gauge SS tubing
- The table top and inner frame support are attached to an electrically-powered hydraulic scissor lift

- The lift has a capacity up to 6,000 lbs./2721 kg. (~115v/60 Hz/1 Ph -1.5 hp motor)
- Accordion-style bellows surround the scissor lift
- Easy-to-use up/down elevation control
- 24 volt system
- Built in 24V charger and D/C battery 24V
- Variable speed control - forward/reverse
- Butterfly switches for forward & reverse
- Push buttons for raising and lowering of forks
- Built-in horn
- Electro-mechanical brake system
- 180° degree turning radius
- Drainage slot
- (2) rear spring-loaded stabilizing casters and (2) ridged casters located in front

Need additional accessories for your facility



Call for more information  
(800) 410-0100

# MODEL 1036-250-SP SELF-PROPELLED HYDRAULIC NECROPSY TABLE

## Optional Accessories

- Type 316 stainless steel (top only)
- Removable measuring ruler
- Instrument tray
- Tie down bars w/adjustable cleats
- Nylon strap for tie down
- Polyethylene cutting boards

### Options based on available space

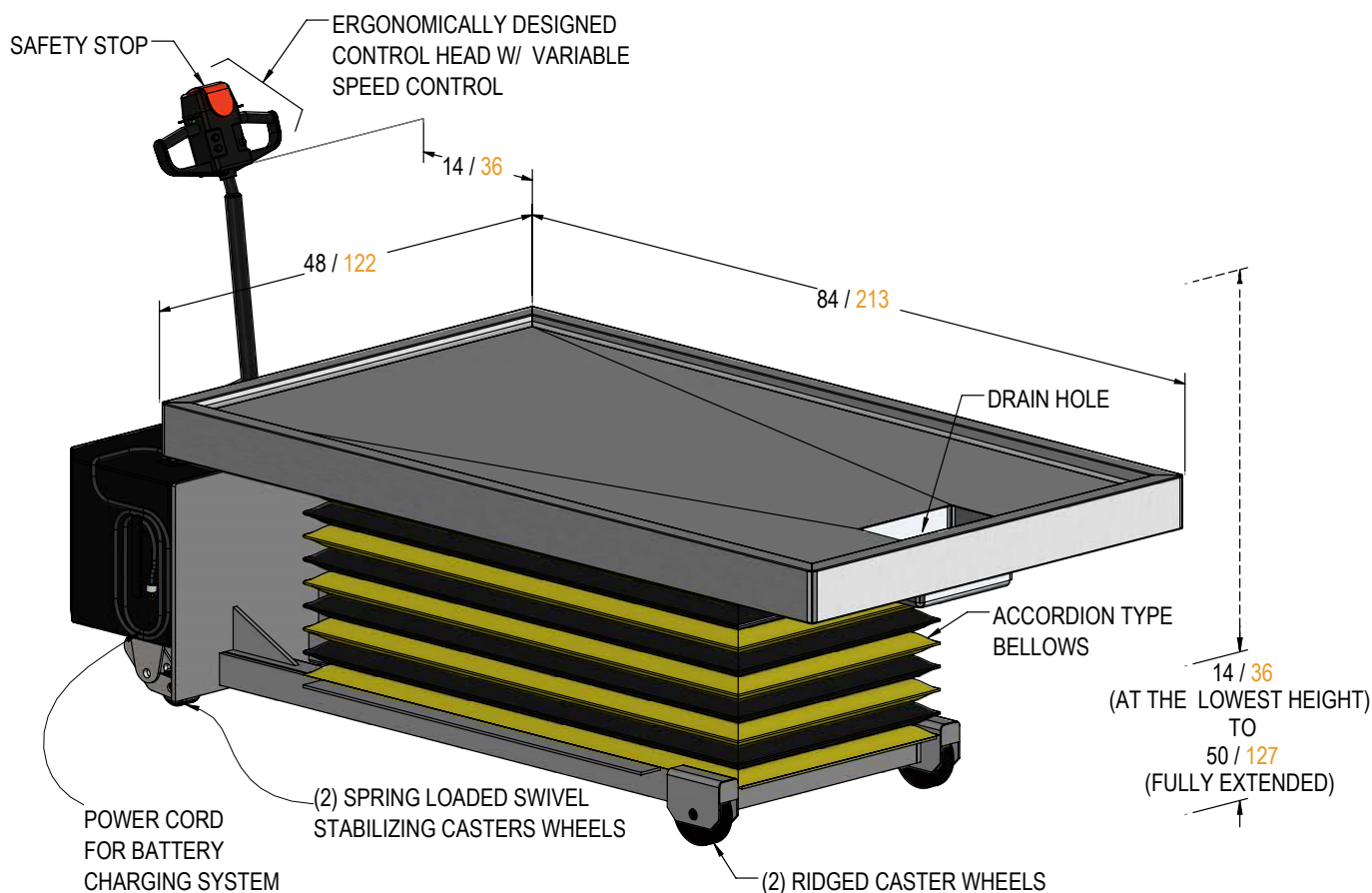
When planning an order, we will assist you in selecting options to complete your system. Please feel free to contact us.

See pages 9-17 to 9-19 for a full list of sink station accessories.

Custom layout and designs are available.



**Model 1036-250SP**  
We carry different style table tops to fit your needs



All measurements in inches/centimeters +-

# MODEL 1036-250-SP LAYOUT DRAWING & OPTIONAL FEATURES



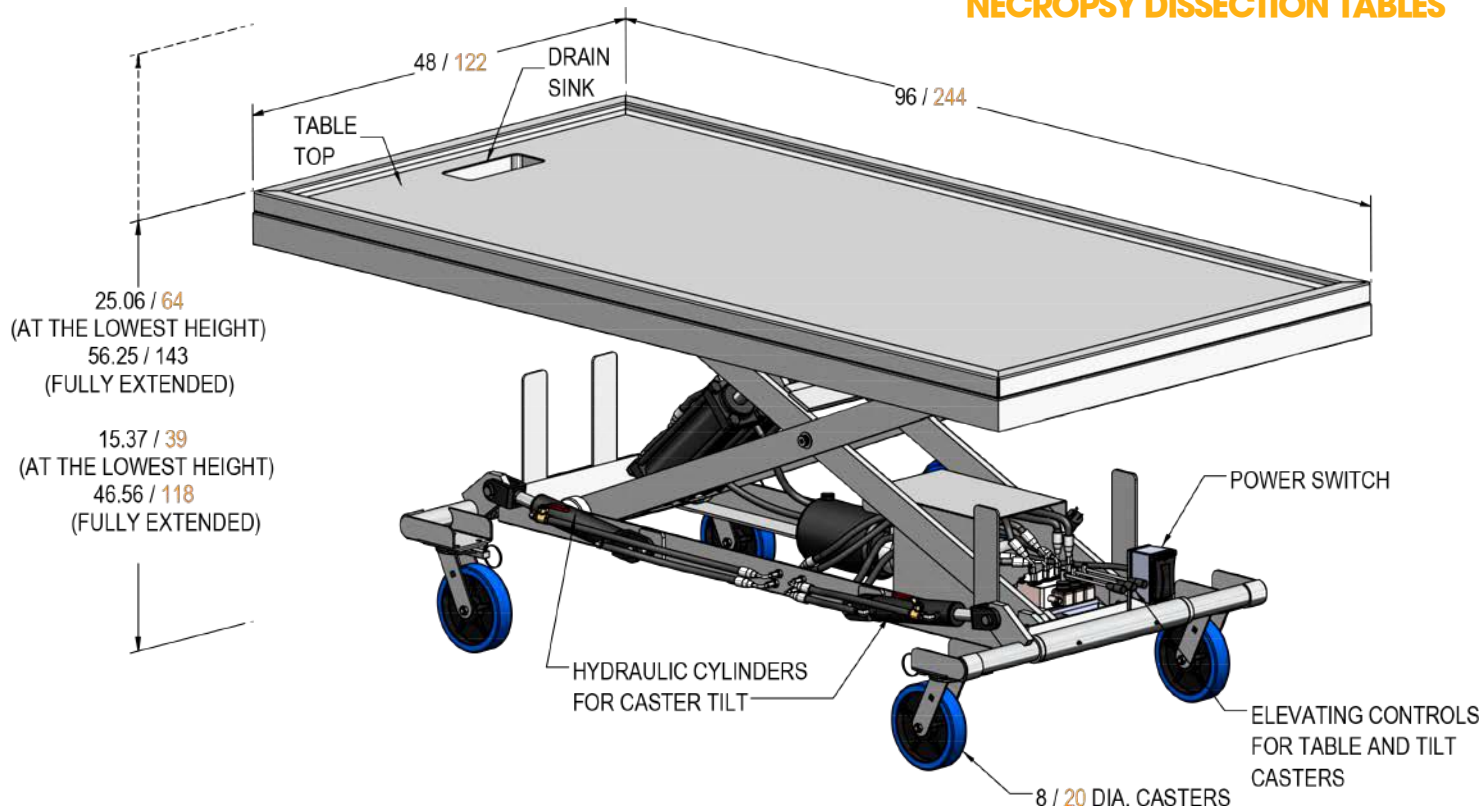
1036-251

**STANDARD DESIGN FEATURES**

Length: ..... 96 in./243 cm.  
Height: ..... 15.25 in./31 cm. (Lowest)  
Height: ..... 56.25 in./143 cm. (Highest)  
Width: ..... 48 in./122 cm.

- The mobile necropsy table features all heavy-gauge stainless steel construction
- The unit is designed to handle a centralized load up to 3,000 lbs./
- The inner frame support is fabricated from heavy gauge steel tubing
- The table top and inner frame support are attached to an electrically-powered hydraulic scissor lift. The lift has a capacity up to 3,000 lbs./ (~115v / 60 Hz / 1 Ph - 1 HP motor)
- A drain opening located on the back edge of the table.
- Functions on (4 ) lock pivot casters that allows the table to tilt as desired
- Easy-to-use up/down elevation control
- Retractable electrical cord reel
- Tabletop can be sized to your specific project requirements
- Hydraulic cylinders outfitted to the scissor lift allowing the table top to lift to the height of up to 56.25 in/

**MODEL 1036-251 MOBILE NECROPSY TABLE, TILT AND LIFT**



All measurements in inches/*centimeters* +-



DRAIN HOLE



HYDRAULIC CONTROLS



VARIABLE FRONT AND REAR WHEEL TILT

# MODEL 1036-251 LAYOUT DRAWING & OPTIONAL FEATURES

(626) 334-1471

411 North Aerojet  
Avenue Azusa, CA 91702  
www.mortechmfg.com

## Optional Accessories

- Type 316 stainless steel (top only)
- Tilt Feature

### Options based on available space

When planning an order, we will assist you in selecting options to complete your system. Please feel free to contact us.

**See pages 9-17 to 9-19 for a full list of sink station accessories.**

Custom layout and designs are available.





**STANDARD DESIGN FEATURES**

Length: ..... 29 in./73 cm.  
 Height: ..... 12 in./30 cm.  
 Width: ..... 25 in./63 cm.

**Inner Sink Basin:**

Length: ..... 22 in./55 cm.  
 Width: ..... 18 in./45 cm.  
 Depth: ..... 11.25 in./28 cm.

- Removable perforated work surface
- Drain sink with strainer basket
- Easy installation

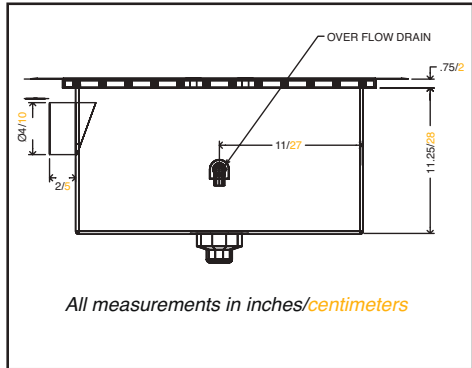
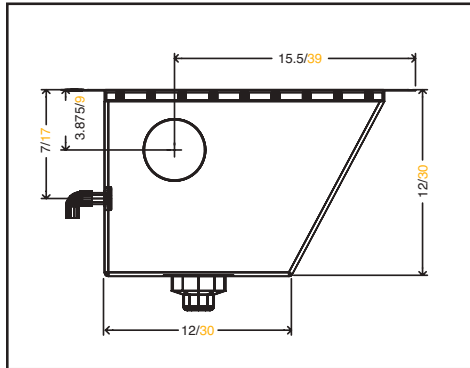
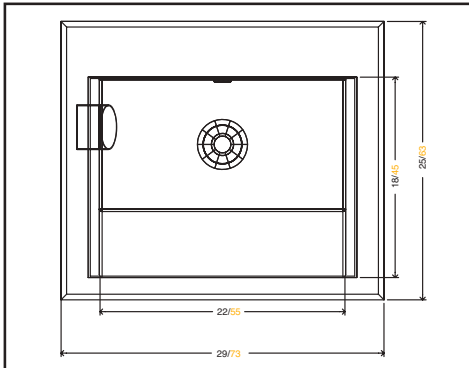
**Optional Accessories**

- Custom size and configurations
- Hot and cold mixing faucet
- Overflow drain
- Spray rinse assembly
- 316 stainless steel

- Type 304 stainless steel construction
- All inside corners are rounded for easy cleaning
- Designed to drop-in existing counters to provide downdraft work area



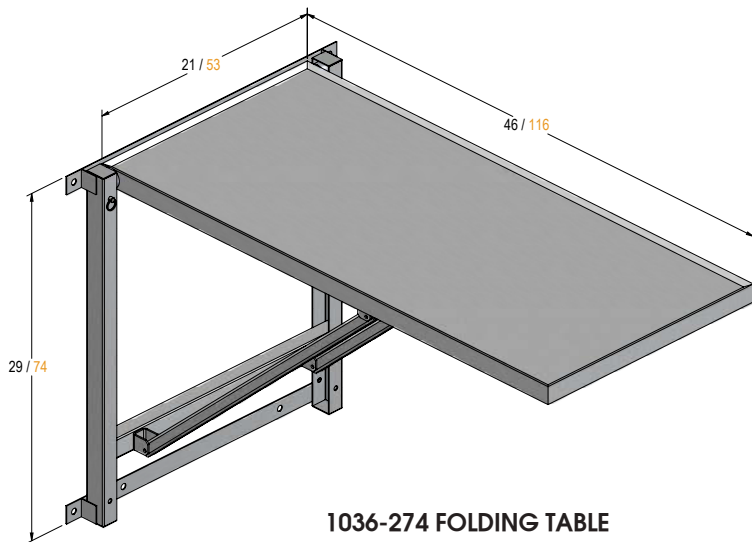
**MODEL 1036-272  
 DROP IN SINK  
 STATION**



# NECROPSY DISSECTION TABLES



1036-274P PLASTIC TOP FOLDING TABLE w/X-RAY CAPABILITIES (SHOWN)



1036-274 FOLDING TABLE

### Large Single Compartment Sink Basin:

Length: ..... 45 in./114 cm.  
 Width: ..... 21 in./53 cm.  
 Height: ..... 32 in./81 cm.  
 Folded height ..... 59 in./149 cm.

- Type 304 stainless steel construction
- Folds up conveniently for space saving
- Locks securely in position
- Rollers allow for easy raising and lowering
- Custom tables sizes available

### Top Available

- Stainless steel
- Stainless steel w/plastic insert

All measurements in inches/centimeters +-

## MODEL 1036-274 FOLDING EXAM TABLE

