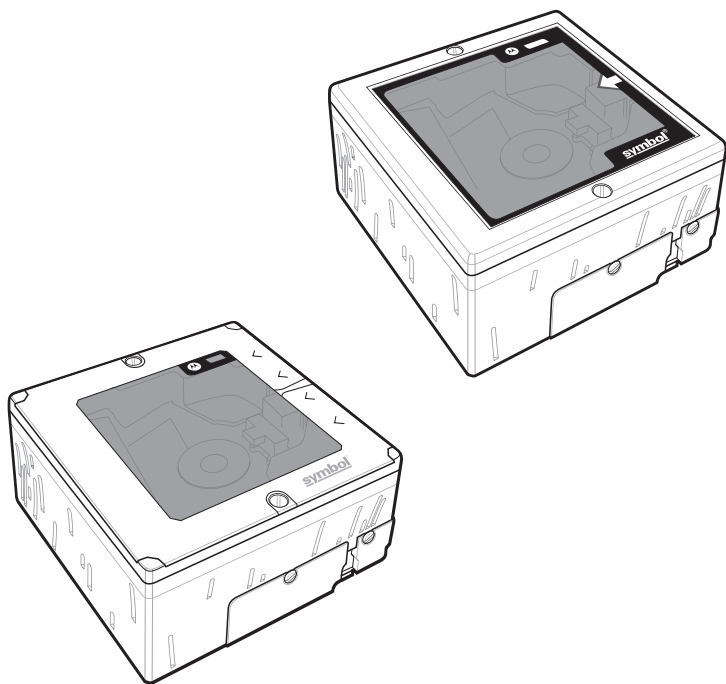




Symbol LS7808 Horizontal Slot Scanner

Mounting Instructions and EAS Installation Guide



© 2007 MOTOROLA, INC. All rights reserved.

Motorola reserves the right to make changes to any product to improve reliability, function, or design.

Motorola does not assume any product liability arising out of, or in connection with, the application or use of any product, circuit, or application described herein.

No license is granted, either expressly or by implication, estoppel, or otherwise under any patent right or patent, covering or relating to any combination, system, apparatus, machine, material, method, or process in which Motorola products might be used. An implied license exists only for equipment, circuits, and subsystems contained in Motorola products.

MOTOROLA, the Stylized M Logo and Symbol and the Symbol logo are registered trademarks of Motorola, Inc. Other product names mentioned in this manual may be trademarks or registered trademarks of their respective companies and are hereby acknowledged.

Motorola, Inc.
One Motorola Plaza
Holtsville, N.Y. 11742-1300
<http://www.symbol.com>

Warranty

For the complete Motorola hardware product warranty statement, go to:
<http://www.symbol.com/warranty>.

Patents

This product is covered by one or more patents. For patent information go to:
<http://www.symbol.com/patents>.

Introduction

This guide includes two sections: Section I provides scanning information, typical layouts, installation/mounting information and mounting dimensions for the Symbol LS7808-SR20007TCR and LS7808-SR2X009SCR horizontal slot scanners; Section II provides installation instructions for EAS.

✓ **NOTE** If you are replacing a Symbol LS5800-I200TC or LS5800-I200TN scanner with the Symbol LS7808-SR20007TCR or LS7808-SR2X009SCR, mounting buckets are interchangeable.

Configurations

The Symbol LS7808 is available in the following configurations.

Configuration	Features
Symbol LS7808-SR20007TCR	Standard (tin oxide) glass window; twilight black; Checkpoint® EAS; RoHS compliant.
Symbol LS7808-SR20009SCR	Scratch proof (sapphire) glass window; stainless steel bezel top; Checkpoint® EAS; RoHS compliant.
Symbol LS7808-SR22009SCR	Scratch proof (sapphire) glass window; stainless steel bezel top; Checkpoint® EAS; RoHS compliant; Remote Scanner Management (RSM) ready “out of the box.”

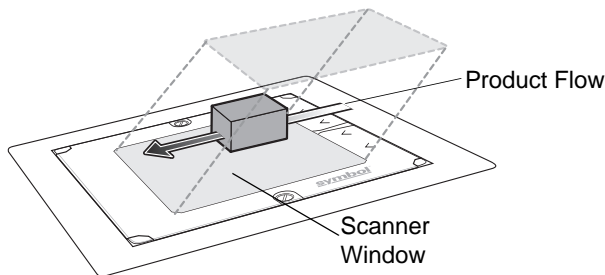
A stainless steel in-counter mounting kit (p/n 12-17206-02R) is required for all models. See [Installation/Mounting on page 6](#) for mounting/installation instructions.

Section I - Scanning, Layouts, Mounting

Active Scan Area

The Symbol LS7808 is designed to be installed in the counter, with the face of the scanner flush with the counter top.

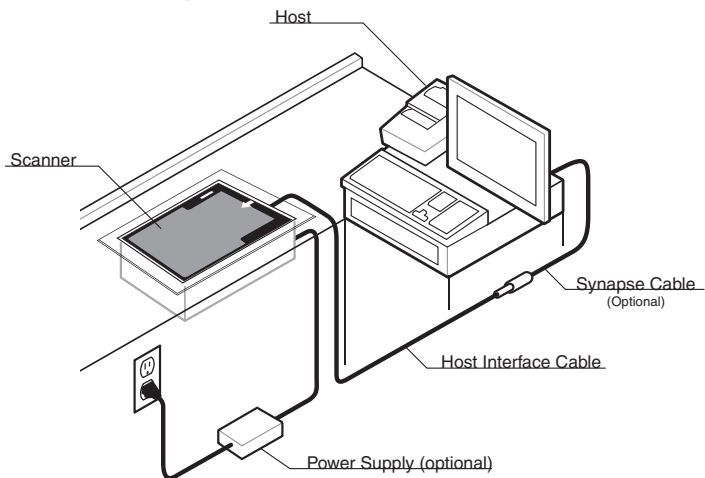
The figure below shows a typical layout. The dotted area depicts the active scan area and the arrow shows the optimal direction of product flow. The scanner's active scan zone extends about 6 in. (15.24 cm) above the window and is angled at approximately 38° from the counter.



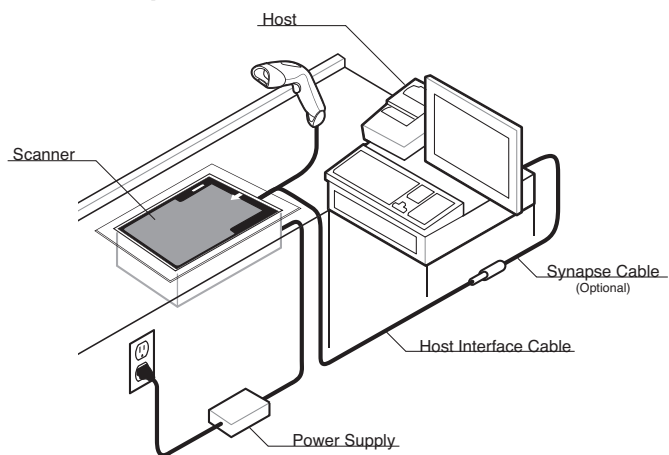
Typical Layouts

The illustrations below show typical Symbol LS7808 installations with various options, as noted. For best operating results, locate the power supply at least 4 in. (10.16 cm) below the scanner chassis or 2 in. (5.08 cm) away laterally.

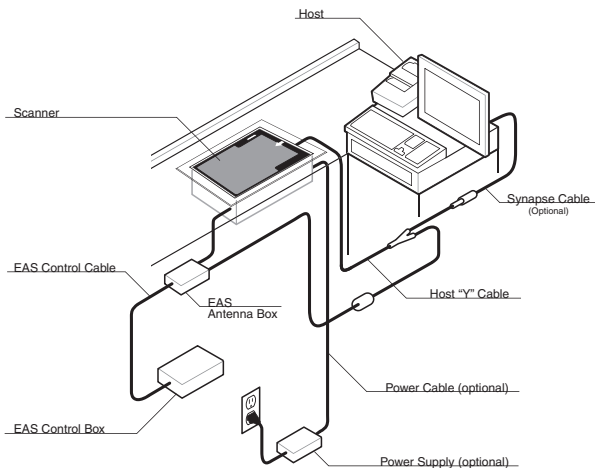
Without Auxiliary Scanner and EAS



With Auxiliary Scanner



With EAS

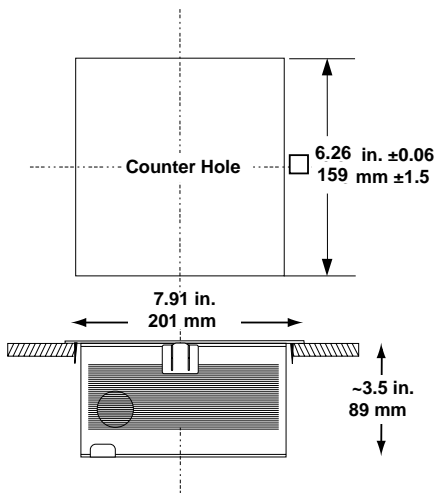


Installation/Mounting

The Symbol LS7808-SR20007TCR and LS7808-SR2X009SCR require a stainless steel in-counter mounting kit (p/n 12-17206-02R) for installation. There are two options for installing this model using the kit, also known as a *bucket*. The steps for installation options A and B follow.

Option A - Resting on the Counter Top

1. Cut a hole in the counter 6.26 in. (159 mm) square, as shown in the illustration below.



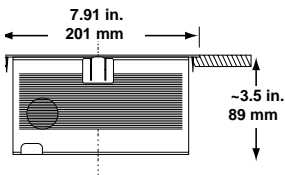
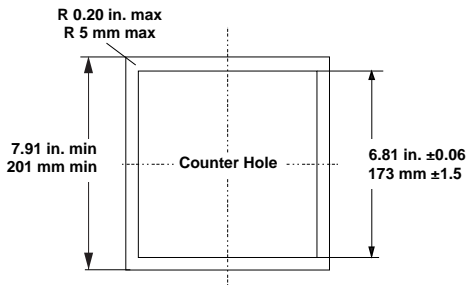
2. Place the bucket into the hole.
3. Unscrew and remove the scanner connector cover.
4. Place the scanner on the counter near the bucket.
5. Route the cables from beneath the hole and attach to the scanner as shown in [Typical Layouts on page 4](#).
6. Reattach the connector cover and tighten the screws.
7. Lower the scanner into the bucket.



IMPORTANT Always reattach the connector cover and tighten the screws after all cables are connected to the scanner ports. The connector cover ensures that all cables are properly situated and connections are secure.

Option B - Flush with the Counter Top

1. On the counter top, measure two concentric squares: an inside square of 6.81 in. (173 mm) and an outside square of 7.91 in. (201 mm), as shown in the illustration below.



2. Cut out the 6.81 in. (173 mm) inner square.
3. With a router set to a depth of .05 in. (1.2 mm), route out the outside square. The corner radius should not exceed 0.2 in. (5 mm). Ensure the outside square is concentric with the inside square.
4. Place the bucket into the hole.
5. Unscrew and remove the scanner connector cover.
6. Place the scanner on the counter near the bucket.
7. Route the cables from beneath the hole and attach to the scanner as shown in [Typical Layouts on page 4](#).
8. Reattach the connector and tighten the screws.



IMPORTANT Always reattach the connector cover and tighten the screws after all cables are connected to the scanner ports. The connector cover ensures that all cables are properly situated and connections are secure.

9. Lower the scanner into the bucket.

Section II - Electronic Article Surveillance (EAS)

The Symbol LS7808-SR20007TCR and LS7808-SR2X009SCR include an EAS antenna. The scanner and EAS system can operate independently of each other, or using an exclusive interlock feature. The deactivation range is mapped suitable to the scanning range, so both can be accomplished almost simultaneously. The interlock feature requires a good decode signal to activate the EAS system.



CAUTION Do not attempt to activate the interlock feature. Activation instructions are for a Symbol qualified technician only.

The scanner's integrated EAS deactivation antenna requires an EAS host cable. This Y-cable connects to the scanner's host port at one end and splits to the host and the EAS system at the other end.

Checkpoint® EAS Model Compatibility

The EAS cable is intended for use with Checkpoint CP-VII and CP-IX systems. It does not support CP-IV and other low-power receiver-based EAS deactivation systems.

Considerations

The Checkpoint EAS system operates by generating a periodic burst of energy which deactivates EAS tags brought into proximity of the scanner. Unless proper precautions are taken, this field may interfere with the scanner's operation. The following criteria must be observed when installing EAS:

- The antenna box must be as far as possible (minimum 6 in. or 15.24 cm) from the scanner.
- The scanner (with integrated EAS antenna), EAS antenna box, EAS control cable and EAS controller box must be as far as possible from the scanner's host and power cables. For a typical EAS installation, see [Typical Layouts on page 4](#).
- The counter in which the EAS antenna is installed must be made of non-metallic materials. Metallic counters or metal objects in proximity to the scanner interfere with EAS Deactivation.

- If two antenna boxes are connected to the controller box, each of them must be connected to a scanner (antenna). If one is left unconnected, communications errors may occur. If only one antenna is in use, disconnect the other antenna box at the controller box.

Deactivation for Sensormatic EAS System

To interface to Sensormatic systems, contact Symbol Product Management.

Connecting the EAS Antenna

A host interface cable with EAS leads from Symbol is required. The EAS leads are connected by Checkpoint Systems, Inc.

Contact your local Checkpoint representative to install the EAS cable to the Checkpoint Deactivation System. To contact a representative, call 800-257-5540 (in the United States) or 609-848-1800 (outside the United States).

Connecting the EAS Interlock

To activate the EAS system independent of the scanner, or combine the two in an exclusive interlock feature, refer to the appropriate parameters in the Symbol LS7808 Horizontal Slot Scanner Product Reference Guide, p/n 72E-73952-xx.

The interlock feature discourages “sweetheart shopping.” These are instances where some customers are favored and not all items are scanned. The interlock prohibits the deactivation of the EAS tag without the item being scanned first.

Symbol LS7808 Interlock Cable and EAS

To connect the EAS interlock feature to the scanner:

1. Peel off the EAS sticker on the bottom of the scanner. The sticker covers the EAS interlock port.
2. Plug the EAS interlock cable into the port.
3. Attach the other end to the EAS system.

✓ **NOTE** Refer to the Symbol LS7808 Horizontal Slot Scanner Product Reference Guide, p/n 72E-73952-xx, to scan the proper bar code to activate this feature.

Service Information

If you have a problem using the equipment, contact your facility's Technical or Systems Support. If there is a problem with the equipment, they will contact the Motorola Enterprise Mobility Support at: <http://www.symbol.com/contactsupport>.

For the latest version of this guide go to: <http://www.symbol.com/manuals>.



MOTOROLA

Motorola, Inc.
One Motorola Plaza
Holtsville, New York 11742, USA
1-800-927-9626
<http://www.symbol.com>

MOTOROLA and the Stylized M Logo and Symbol and the Symbol logo are registered in the U.S. Patent and Trademark Office. All other product or service names are the property of their respective owners. © Motorola, Inc. 2007



72-95668-01 Revision B - September 2007