

HP ProLiant ML110 Gen9 Server User Guide

Abstract

This document is for the person who installs, administers, and troubleshoots servers and storage systems. HP assumes you are qualified in the servicing of computer equipment and trained in recognizing hazards in products with hazardous energy levels.



Part Number: 781889-001
March 2015
Edition: 1

© Copyright 2015 Hewlett-Packard Development Company, L.P.

The information contained herein is subject to change without notice. The only warranties for HP products and services are set forth in the express warranty statements accompanying such products and services. Nothing herein should be construed as constituting an additional warranty. HP shall not be liable for technical or editorial errors or omissions contained herein.

Linux® is the registered trademark of Linus Torvalds in the U.S. and other countries.

Microsoft® and Windows® are U.S. registered trademarks of the Microsoft group of companies.

MicroSD is a trademark or a registered trademark of SD-3C in the United States, other countries or both.

Red Hat® is a registered trademark of Red Hat, Inc. in the United States and other countries.

VMware® is a registered trademark of trademark of VMware, Inc. in the United States and/or other jurisdictions.

Contents

Component identification	7
Front panel components	7
Front panel LEDs and buttons	8
Front panel LED power fault codes	8
Rear panel components	9
Rear panel LEDs	10
System board components	11
System maintenance switch	12
NMI functionality	13
DIMM slot locations	13
Fan locations	14
Drive numbering	14
HP SmartDrive LED definitions	16
Operations	18
Power up the server	18
Power down the server	18
Remove the access panel	18
Install the access panel	19
Remove the front bezel	20
Install the front bezel	21
Remove the PCI air baffle	22
Install the PCI air baffle	22
Remove the system air baffle	23
Install the system air baffle	24
Setup	25
Optional installation services	25
Optimum environment	25
Space and airflow requirements	25
Temperature requirements	26
Power requirements	27
Electrical grounding requirements	27
Server warnings and cautions	27
Identifying tower server shipping carton contents	28
Installing hardware options	29
Setting up a tower server	29
Installing the server into a rack	29
Rack warnings	30
Installing the operating system	31
Powering on and selecting boot options in UEFI Boot Mode	31
Registering the server	32
Hardware options installation	33
Introduction	33
Drive cage options	33
4-bay LFF hot-plug drive cage option	33

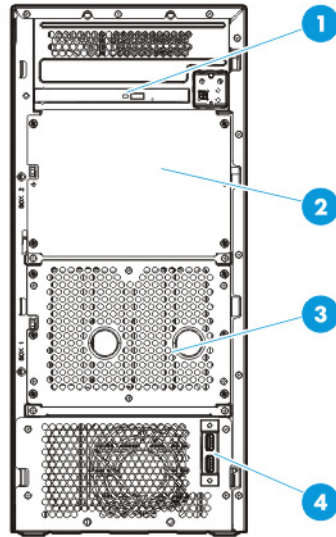
8-bay SFF hot-plug drive cage option	36
Drive options	39
Drive installation guidelines	39
Installing a non-hot-plug drive.....	40
Installing a hot-plug drive.....	42
Drive cable options.....	43
Host Bus Adapter Mini-SAS cable option	43
Smart Array Controller Mini-SAS cable option.....	45
Controller options.....	48
Storage controller installation guidelines.....	49
Installing the storage controller and FBWC module options	49
Installing an HP Smart Storage Battery	53
HP Smart Storage Battery holder option	53
GPU supporting holder option.....	55
Optical drive option	58
PCI fan and baffle option	60
System fan upgrade option.....	61
HP dual microSD to USB adapter option.....	63
Memory options.....	63
HP SmartMemory	64
Memory subsystem architecture	64
Single-, dual-, and quad-rank DIMMs	65
DIMM identification	65
Memory configurations.....	66
General DIMM slot population guidelines.....	67
Installing a DIMM.....	68
Dedicated iLO management module option	69
Enabling the dedicated iLO management module	71
HP ATX 550-W power supply option	71
Redundant power supply option	74
HP Trusted Platform Module option	80
Installing the Trusted Platform Module board.....	81
Retaining the recovery key/password	83
Enabling the Trusted Platform Module.....	83
Cabling	84
Cabling overview.....	84
Storage cabling	84
4-bay LFF non-hot-plug drive cabling	84
4-bay LFF hot-plug drive cabling	85
8-bay SFF hot-plug drive cabling	88
FBWC module cabling.....	91
HP Smart Storage Battery cabling.....	92
Optical drive cabling.....	93
Fan cabling.....	93
Power supply cabling.....	95
HP ATX 350-W power supply (non-hot-plug)	95
HP ATX 550-W power supply (non-hot-plug)	95
HP 750-W redundant power supply.....	96
Front I/O cabling.....	97
Front USB 3.0 cabling	97
Software and configuration utilities	98
Server mode.....	98

Product QuickSpecs	98
HP iLO	98
Active Health System	99
HP RESTful API support for HP iLO	100
Integrated Management Log	100
HP Insight Remote Support	101
Intelligent Provisioning	101
HP Insight Diagnostics	102
Erase Utility	102
Scripting Toolkit for Windows and Linux	103
HP Service Pack for ProLiant	103
HP Smart Update Manager	103
HP UEFI System Utilities	104
Using HP UEFI System Utilities	104
Flexible boot control	104
Restoring and customizing configuration settings	105
Secure Boot configuration	105
Embedded UEFI shell	106
Embedded Diagnostics option	106
HP RESTful API support for UEFI	106
Re-entering the server serial number and product ID	106
Utilities and features	107
HP Smart Storage Administrator	107
Automatic Server Recovery	107
USB support	107
Redundant ROM support	108
Keeping the system current	109
Access to HP Support Materials	109
Updating firmware or System ROM	109
Drivers	111
Software and firmware	111
Operating System Version Support	111
Version control	111
HP operating systems and virtualization software support for ProLiant servers	112
HP Technology Service Portfolio	112
Change control and proactive notification	112
Troubleshooting	113
Troubleshooting resources	113
System battery replacement	114
Regulatory information	116
Safety and regulatory compliance	116
Belarus Kazakhstan Russia marking	116
Turkey RoHS material content declaration	117
Ukraine RoHS material content declaration	117
Warranty information	117
GS Gloss declaration	117
Electrostatic discharge	118
Preventing electrostatic discharge	118
Grounding methods to prevent electrostatic discharge	118
Specifications	119

Environmental specifications	119
Server specifications	119
Power supply specifications	120
Hot-plug power supply calculations.....	120
Support and other resources	121
Before you contact HP.....	121
HP contact information.....	121
Customer Self Repair	121
Acronyms and abbreviations.....	129
Documentation feedback	133
Index.....	134

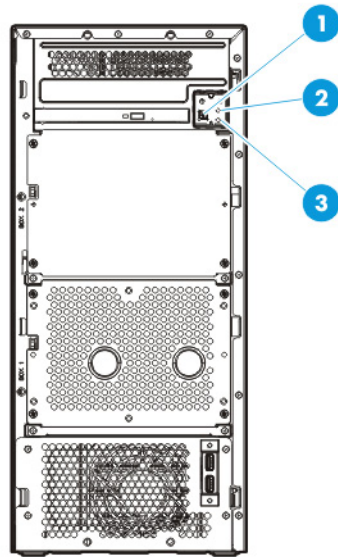
Component identification

Front panel components



Item	Description
1	Optical drive (optional)
2	Box 2
3	Box 1
4	USB 3.0 connectors

Front panel LEDs and buttons



Item	Description	Status
1	Power On/Standby button and system power LED*	Solid green = System on Flashing green (1 Hz/cycle per sec) = Performing power on sequence Solid amber = System in standby Off = No power present**
2	Health LED*	Solid green = Normal Flashing green (1 Hz/cycle per sec) = iLO is rebooting. Flashing amber = System degraded† Flashing red (1 Hz/cycle per sec) = System critical†
3	NIC status LED*	Solid green = Link to network Flashing green (1 Hz/cycle per sec) = Network active Off = No network activity

* When all three LEDs described in this table and the UID button/LED on the rear panel flash simultaneously, a power fault has occurred. For more information, see "Front panel LED power fault codes (on page 8)." For the location of the UID button/LED on the rear panel, see "Rear panel LEDs (on page 10)".

** Facility power is not present, power cord is not attached, no power supplies are installed, power supply failure has occurred, or the power button cable is disconnected.

† If the health LED indicates a degraded or critical state, review the system IML or use iLO to review the system health status.

Front panel LED power fault codes

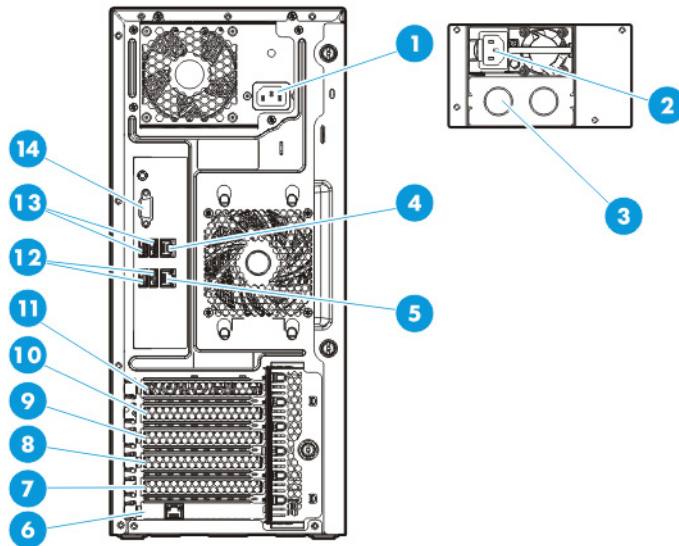
The following table provides a list of power fault codes, and the subsystems that are affected. Not all power faults are used by all servers.

Subsystem	Front panel LED behavior
System board	1 flash
Processor	2 flashes
Memory	3 flashes
Riser board PCIe slots	4 flashes
FlexibleLOM	5 flashes

Subsystem	Front panel LED behavior
Removable HP Flexible Smart Array controller/Smart SAS HBA controller	6 flashes
System board PCIe slots	7 flashes
Power backplane or storage backplane	8 flashes
Power supply	9 flashes

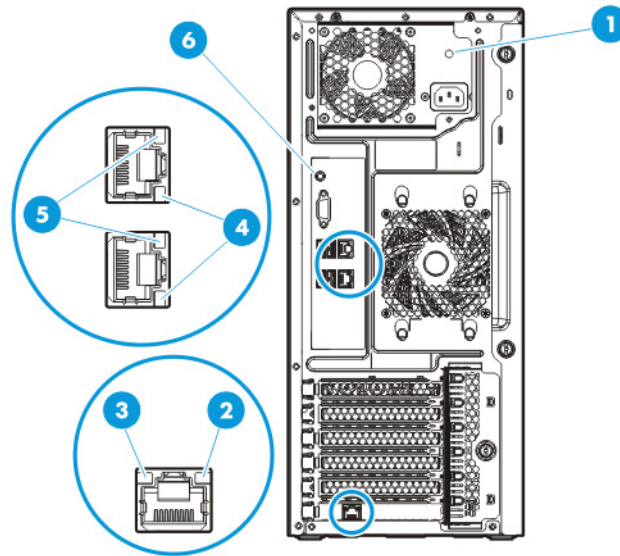
For more information, see "Front panel LEDs and buttons (on page 8)."

Rear panel components



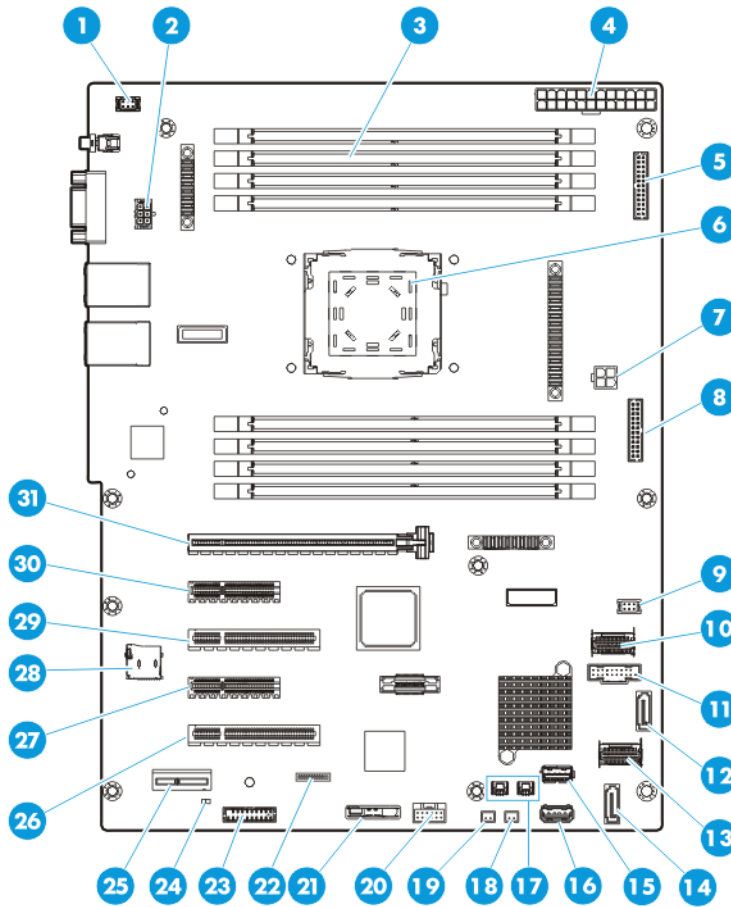
Item	Description
1	Non-hot-plug power supply
2	Power supply bay 1 of the hot-plug power supply (optional)
3	Power supply bay 2 of the hot-plug power supply (optional)
4	NIC connector 1
5	NIC connector 2
6	Dedicated iLO port (optional)
7	Slot 5 PCIe3x8 (8, 4, 1)
8	Slot 4 PCIe3x4 (4, 1)
9	Slot 3 PCIe3x8 (8, 4, 1)
10	Slot 2 PCIe3x4 (4, 1)
11	Slot 1 PCIe3x16 (16, 8, 4, 1)
12	USB 2.0 connectors
13	USB 3.0 connectors
14	Video connector

Rear panel LEDs



Item	Description	Status
1	Power supply LED	Solid green = Normal Off = One or more of the following conditions exists: <ul style="list-style-type: none"> • Power is unavailable • Power supply failed • Power supply is in standby mode • Power supply error
2	iLO link LED	Green = Linked to network Off = No network connection
3	iLO activity LED	Green or flashing green = Network activity Off = No network activity
4	NIC activity LED	Green or flashing green = Network activity Off = No network activity
5	NIC link LED	Green = Linked to network Off = No network connection
6	UID button/LED	Solid blue = Activated Flashing blue: <ul style="list-style-type: none"> • 1 Hz/cycle per sec = Remote management or firmware upgrade in progress • 4 Hz/cycle per sec = iLO manual reboot sequence initiated • 8 Hz/cycle per sec = iLO manual reboot sequence in progress Off = Deactivated

System board components



Item	Description
1	Fan connector 3
2	Fan connector 2
3	DIMM slots
4	24-pin power supply connector
5	RPSU connector
6	Processor
7	4-pin power supply connector
8	Front I/O connector
9	Fan connector 1
10	Mini-SAS connector 1
11	Front USB 3.0 connector
12	SATA connector 2
13	Mini-SAS connector 2
14	SATA connector 1
15	Internal USB 3.0 connector
16	Internal USB 2.0 connector
17	Storage backup power connector
18	Hard drive power good cable connector 2

Item	Description
19	Hard drive power good cable connector 1
20	HP Smart Storage Battery connector
21	System battery
22	System maintenance switch
23	TPM connector
24	NMI header
25	Dedicated iLO port connector
26	Slot 5 PCIe3 x8 (8, 4, 1)
27	Slot 4 PCIe3 x4 (4, 1)
28	microSD slot
29	Slot 3 PCIe3 x8 (8, 4, 1)
30	Slot 2 PCIe3 x4 (4, 1)
31	Slot 1 PCIe3 x16 (16, 8, 4, 1)

System maintenance switch

Position	Default	Function
S1	Off	Off = iLO 4 security is enabled. On = iLO 4 security is disabled.
S2	Off	Off = System configuration can be changed. On = System configuration is locked.
S3	Off	Reserved
S4	Off	Reserved
S5	Off	Off = Power-on password is enabled. On = Power-on password is disabled.
S6	Off	Off = No function On = ROM reads system configuration as invalid.
S7	Off	Off = Set default boot mode to UEFI. On = Set default boot mode to legacy.
S8	—	Reserved
S9	—	Reserved
S10	—	Reserved
S11	—	Reserved
S12	—	Reserved

To access the redundant ROM, set S1, S5, and S6 to on.

When the system maintenance switch position 6 is set to the On position, the system is prepared to erase all system configuration settings from both CMOS and NVRAM.



CAUTION: Clearing CMOS and/or NVRAM deletes configuration information. Be sure to properly configure the server or data loss could occur.



IMPORTANT: Before using the S7 switch to change to Legacy BIOS Boot Mode, be sure the HP Dynamic Smart Array B140i Controller is disabled. Do not use the B140i controller when the server is in Legacy BIOS Boot Mode.

NMI functionality

An NMI crash dump creates a crash dump log before resetting a system which is not responding.

Crash dump log analysis is an essential part of diagnosing reliability problems, such as failures of operating systems, device drivers, and applications. Many crashes freeze a system, and the only available action for administrators is to restart the system. Resetting the system erases any information which could support problem analysis, but the NMI feature preserves that information by performing a memory dump before a system reset.

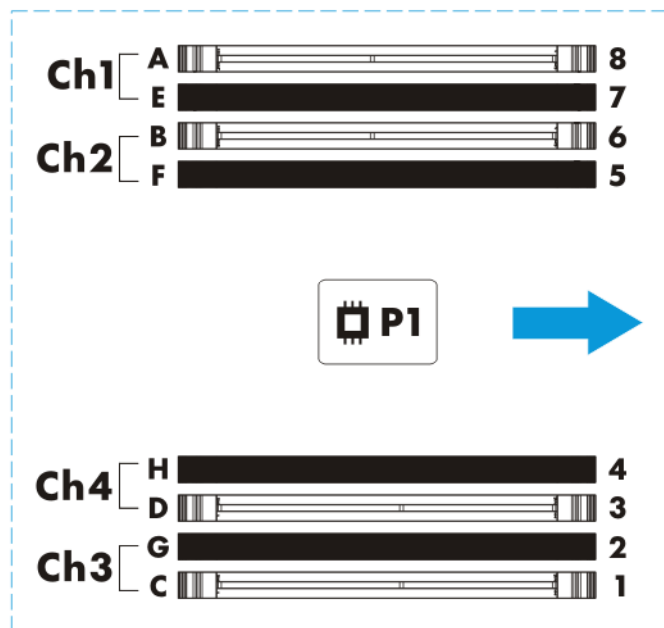
To force the system to invoke the NMI handler and generate a crash dump log, do one of the following:

- Use the iLO Virtual NMI feature.
- Short the NMI header ("System board components" on page 11).

For more information, see the HP website (<http://www.hp.com/support/NMI>).

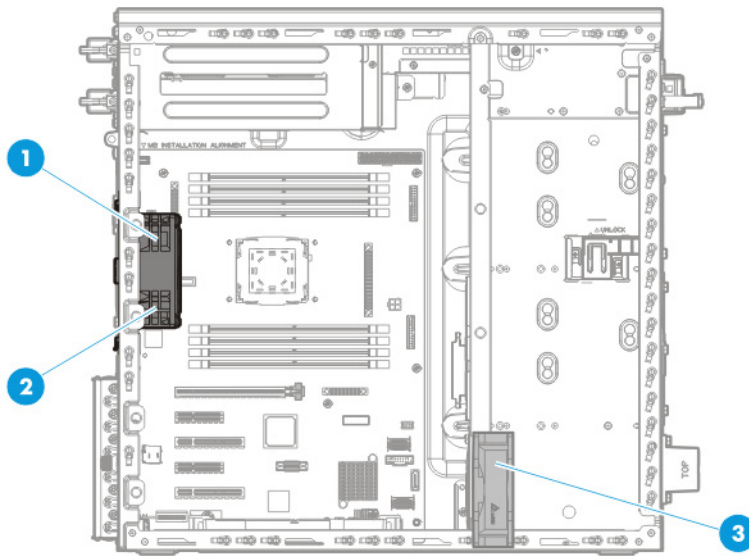
DIMM slot locations

DIMM slots are numbered sequentially (1 through 8) for the processor. The supported AMP modes use the letter assignments for population guidelines.



The arrow points to the front of the server.

Fan locations



Item	Description
1	Default system fan (92 x 32 mm)
2	Upgrade system fan (92 x 38 mm) (this option is required to replace the default system fan when a 140-W workstation processor or SAS SSD drives are installed in the server.)
3	PCI fan

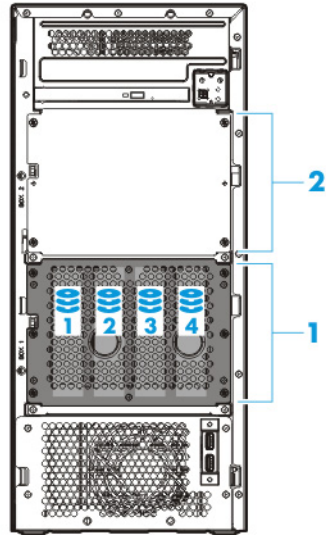
Drive numbering

The following images show the drive numbering for each of the supported drive configurations. For drive box numbering information, see "Front panel components (on page 7)."

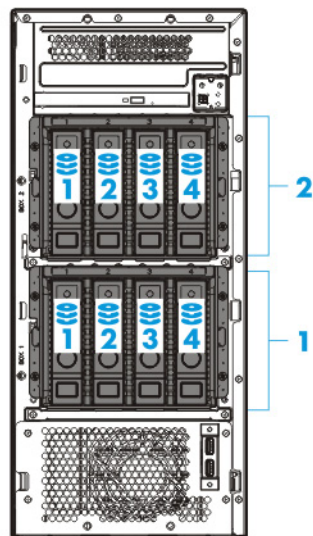
With optional drive cages installed, the server supports up to 4 LFF non-hot-plug drives, 8 LFF hot-plug drives or 16 SFF hot-plug drives. If only one drive cage is installed, it must be installed in box 1. The server does not support mixing SFF and LFF drives.

HP recommends that you populate drive bays starting with the lowest drive number. Drives are numbered from left to right in each component box.

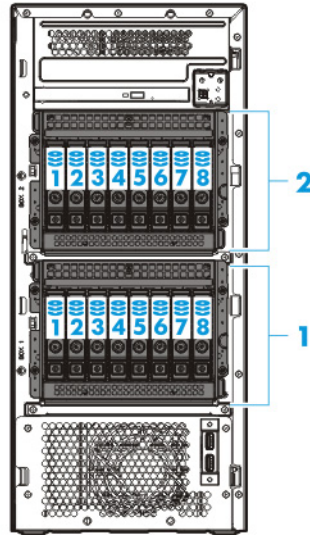
- Four-bay LFF non-hot-plug drive model



- Four-bay LFF hot-plug drive model



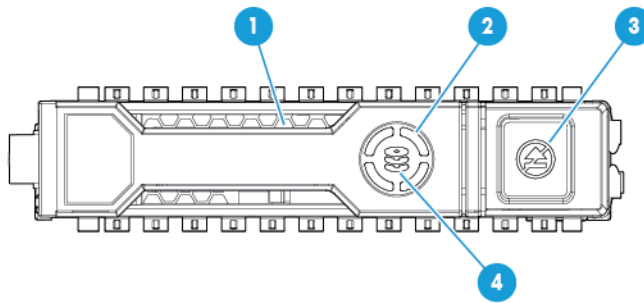
- Eight-bay SFF hot-plug drive model



HP SmartDrive LED definitions

HP SmartDrives are the latest HP drive technology, and they are supported beginning with ProLiant Gen8 servers and server blades. The HP SmartDrive is not supported on earlier generation servers and server blades. Identify an HP SmartDrive by its carrier, shown in the following illustration.

When a drive is configured as a part of an array and connected to a powered-up controller, the drive LEDs indicate the condition of the drive.



Item	LED	Status	Definition
1	Locate	Solid blue	The drive is being identified by a host application.
		Flashing blue	The drive carrier firmware is being updated or requires an update.
2	Activity ring	Rotating green	Drive activity
		Off	No drive activity
3	Do not remove	Solid white	Do not remove the drive. Removing the drive causes one or more of the logical drives to fail.
		Off	Removing the drive does not cause a logical drive to fail.
4	Drive status	Solid green	The drive is a member of one or more logical drives.

Item	LED	Status	Definition
		Flashing green	The drive is rebuilding or performing a RAID migration, strip size migration, capacity expansion, or logical drive extension, or is erasing.
		Flashing amber/green	The drive is a member of one or more logical drives and predicts the drive will fail.
		Flashing amber	The drive is not configured and predicts the drive will fail.
		Solid amber	The drive has failed.
		Off	The drive is not configured by a RAID controller.

The blue Locate LED is behind the release lever and is visible when illuminated.



IMPORTANT: The HP Dynamic Smart Array B140i Controller is only available in UEFI Boot Mode. It cannot be enabled in Legacy BIOS Boot Mode. If the B140i controller is disabled, drives connected to the system board Mini-SAS connectors operate in AHCI or Legacy mode. Under this condition:

- The drives cannot be a part of a hardware RAID or a logical drive.
- The Locate, Drive status, and Do not remove LEDs of the affected drives are disabled.

Use BIOS/Platform Configuration (RBSU) in the UEFI System Utilities ("[HP UEFI System Utilities](#)" on page [104](#)) to enable or disable the B140i controller (System Configuration → BIOS/Platform Configuration (RBSU) → System Options → SATA Controller Options → Embedded SATA Configuration).

Operations

Power up the server

1. Connect each power cord to the server.
2. Connect each power cord to the power source.
3. Press the Power On/Standby button.

The server exits standby mode and applies full power to the system. The system power LED changes from amber to green.

Power down the server

Before powering down the server for any upgrade or maintenance procedures, perform a backup of critical server data and programs.



IMPORTANT: When the server is in standby mode, auxiliary power is still being provided to the system.

To power down the server, use one of the following methods:

- Press and release the Power On/Standby button.
This method initiates a controlled shutdown of applications and the OS before the server enters standby mode.
- Press and hold the Power On/Standby button for more than 4 seconds to force the server to enter standby mode.
This method forces the server to enter standby mode without properly exiting applications and the OS. If an application stops responding, you can use this method to force a shutdown.
- Use a virtual power button selection through iLO 4.
This method initiates a controlled remote shutdown of applications and the OS before the server enters standby mode.

Before proceeding, verify the server is in standby mode by observing that the system power LED is amber.

Remove the access panel



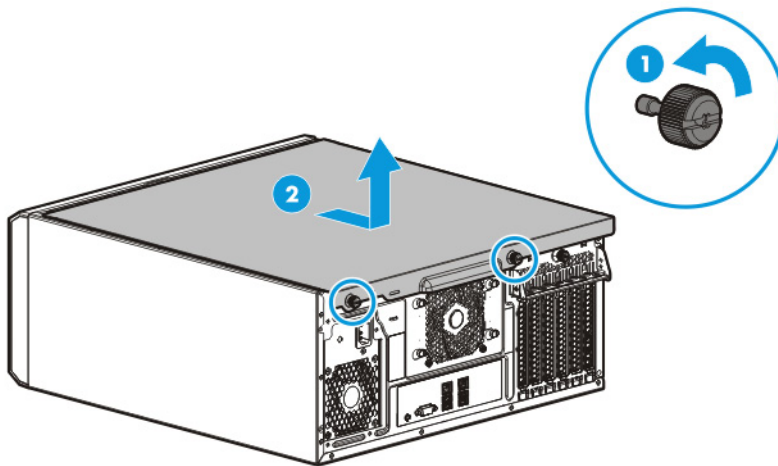
WARNING: To reduce the risk of personal injury from hot surfaces, allow the drives and the internal system components to cool before touching them.



CAUTION: For proper cooling do not operate the server without the access panel, baffles, expansion slot covers, or blanks installed.

⚠ CAUTION: To prevent damage to electrical components, take the appropriate anti-static precautions before beginning any installation, removal, or replacement procedure. Improper grounding can cause electrostatic discharge.

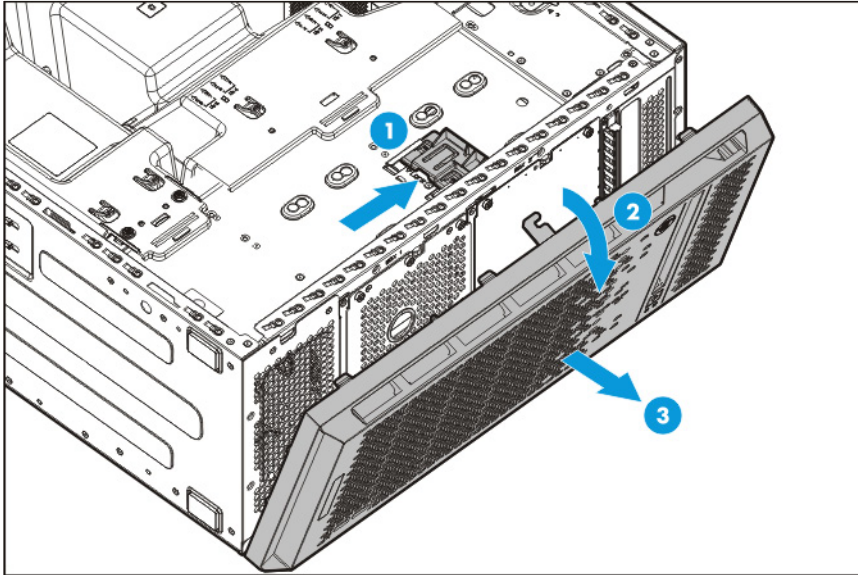
1. Power down the server (on page 18).
2. Remove all power:
 - a. Disconnect each power cord from the power source.
 - b. Disconnect each power cord from the server.
3. Place the server on its side.
4. Remove the access panel:
 - a. Loosen the access panel thumbscrews.
 - b. Slide and remove the access panel from the server.



Install the access panel

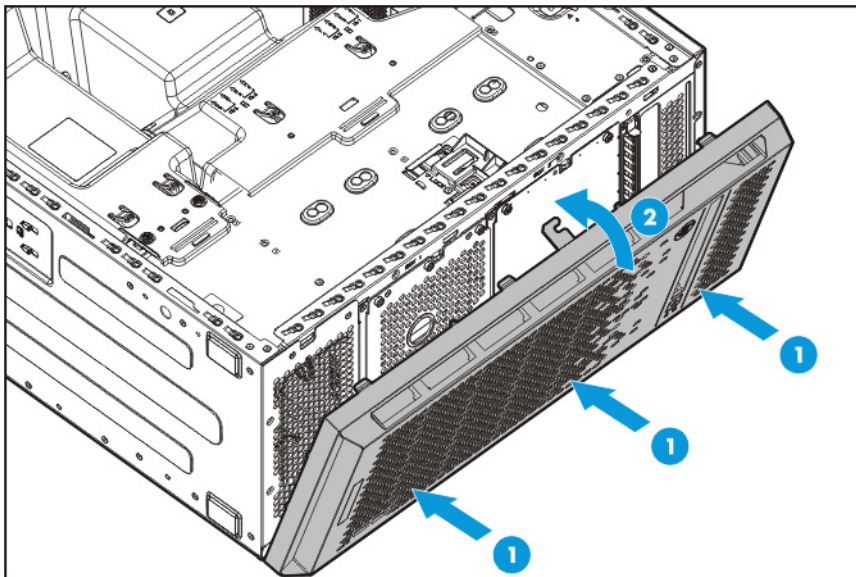
1. Install the access panel:
 - a. Place the access panel on the chassis, and slide it towards the front of the server.

5. Unlock the internal locker. Then open and remove the front bezel.



Install the front bezel

1. Install and close the front bezel.

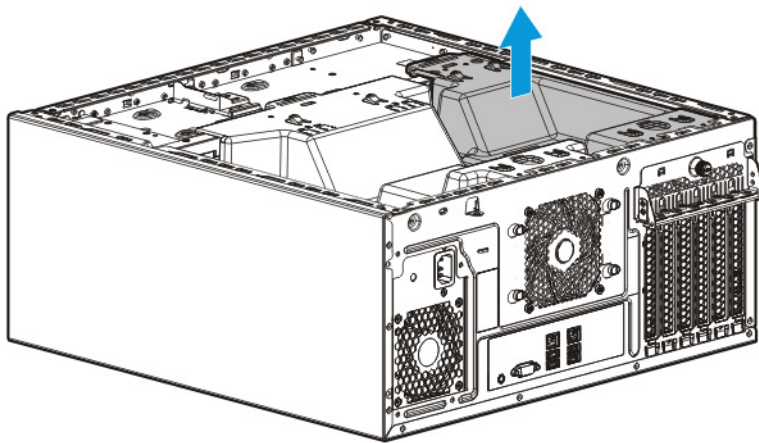


2. Do one of the following:
 - Lock the internal locker.
 - Leave the internal locker in unlock position if you want to access the front panel any time without removing the access panel.
3. Install the access panel (on page 19).
4. Return the server to an upright position.
5. Connect each power cord to the server.
6. Connect each power cord to the power source.

7. Power up the server (on page 18).

Remove the PCI air baffle

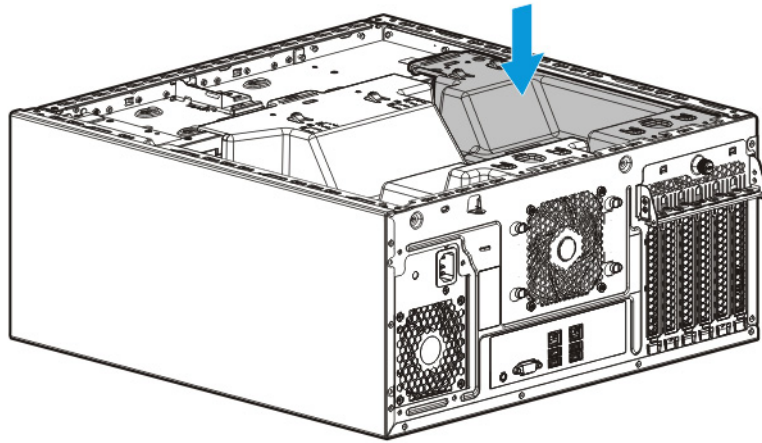
1. Power down the server (on page 18).
2. Remove all power:
 - a. Disconnect each power cord from the power source.
 - b. Disconnect each power cord from the server.
3. Place the server on its side.
4. Remove the access panel (on page 18).
5. Remove the PCI air baffle.



Install the PCI air baffle

- CAUTION:** For proper cooling do not operate the server without the access panel, baffles, expansion slot covers, or blanks installed.

1. Install the PCI air baffle.

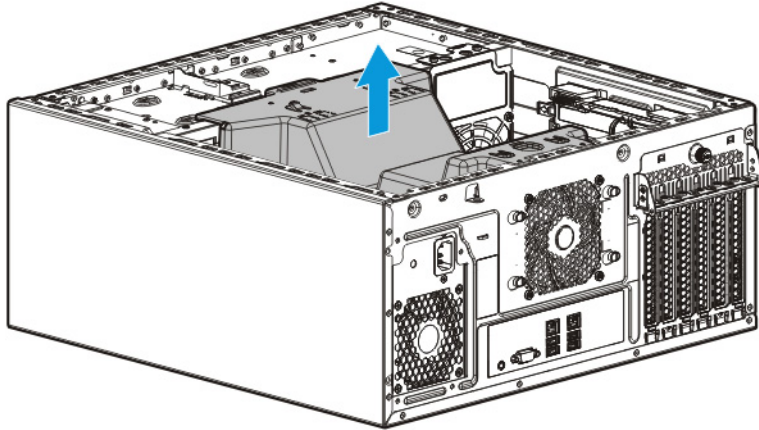


2. Install the access panel (on page 19).
3. Return the server to an upright position.
4. Connect each power cord to the server.
5. Connect each power cord to the power source.
6. Power up the server (on page 18).

Remove the system air baffle

1. Power down the server (on page 18).
2. Remove all power:
 - a. Disconnect each power cord from the power source.
 - b. Disconnect each power cord from the server.
3. Place the server on its side.
4. Remove the access panel (on page 18).
5. If installed, remove the PCI air baffle (on page 22).

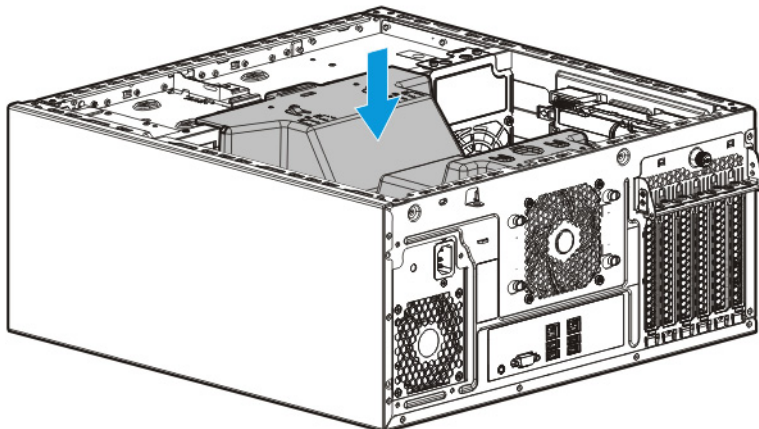
6. Remove the system air baffle.



Install the system air baffle

△ CAUTION: For proper cooling do not operate the server without the access panel, baffles, expansion slot covers, or blanks installed.

1. Install the system air baffle.



2. Install the access panel (on page 19).
3. Return the server to an upright position.
4. Connect each power cord to the server.
5. Connect each power cord to the power source.
6. Power up the server (on page 18).

Setup

Optional installation services

Delivered by experienced, certified engineers, HP Care Pack services help you keep your servers up and running with support packages tailored specifically for HP ProLiant systems. HP Care Packs let you integrate both hardware and software support into a single package. A number of service level options are available to meet your needs.

HP Care Pack Services offer upgraded service levels to expand your standard product warranty with easy-to-buy, easy-to-use support packages that help you make the most of your server investments. Some of the Care Pack services are:

- Hardware support
 - 6-Hour Call-to-Repair
 - 4-Hour 24x7 Same Day
 - 4-Hour Same Business Day
- Software support
 - Microsoft operating systems
 - Linux operating systems
 - HP Insight Control
 - VMware
- Integrated hardware and software support
 - Critical Service
 - Proactive 24
 - Support Plus
 - Support Plus 24
- Startup and implementation services for both hardware and software

For more information on HP Care Pack Services, see the HP website (<http://www.hp.com/services/carepack>).

Optimum environment

When installing the server, select a location that meets the environmental standards described in this section.

Space and airflow requirements

Tower server


In a tower configuration, leave at least a 7.6-cm (3-in) clearance space at the front and back of the server for proper ventilation.

Rack server


To allow for servicing and adequate airflow, observe the following space and airflow requirements when deciding where to install a rack:

- Leave a minimum clearance of 85.09 cm (33.5 in) in front of the rack.
- Leave a minimum clearance of 76.2 cm (30 in) behind the rack.
- Leave a minimum clearance of 121.9 cm (48 in) from the back of the rack to the back of another rack or row of racks.


HP servers draw in cool air through the front door and expel warm air through the rear door. Therefore, the front and rear rack doors must be adequately ventilated to allow ambient room air to enter the cabinet, and the rear door must be adequately ventilated to allow the warm air to escape from the cabinet.


 **CAUTION:** To prevent improper cooling and damage to the equipment, do not block the ventilation openings.

When vertical space in the rack is not filled by a server or rack component, the gaps between the components cause changes in airflow through the rack and across the servers. Cover all gaps with blanking panels to maintain proper airflow.

 **CAUTION:** Always use blanking panels to fill empty vertical spaces in the rack. This arrangement ensures proper airflow. Using a rack without blanking panels results in improper cooling that can lead to thermal damage.

The 9000 and 10000 Series Racks provide proper server cooling from flow-through perforations in the front and rear doors that provide 64 percent open area for ventilation.

 **CAUTION:** When using a Compaq branded 7000 series rack, install the high airflow rack door insert (PN 327281-B21 for 42U rack, PN 157847-B21 for 22U rack) to provide proper front-to-back airflow and cooling.


 **CAUTION:** If a third-party rack is used, observe the following additional requirements to ensure adequate airflow and to prevent damage to the equipment:

- Front and rear doors—If the 42U rack includes closing front and rear doors, you must allow 5,350 sq cm (830 sq in) of holes evenly distributed from top to bottom to permit adequate airflow (equivalent to the required 64 percent open area for ventilation).
 - Side—The clearance between the installed rack component and the side panels of the rack must be a minimum of 7 cm (2.75 in).
-

Temperature requirements

To ensure continued, safe, and reliable equipment operation, install or position the system in a well-ventilated, climate-controlled environment.


The maximum recommended TMRA for most server products is 35°C (95°F). The temperature in the room where the server is located must not exceed 35°C (95°F).


 **CAUTION:** To reduce the risk of damage to the equipment when installing third-party options:

- Do not permit optional equipment to impede airflow around the server beyond the maximum allowable limits.
- Do not exceed the manufacturer's TMRA.

Power requirements

Installation of this equipment must comply with local and regional electrical regulations governing the installation of information technology equipment by licensed electricians. This equipment is designed to operate in installations covered by NFPA 70, 1999 Edition (National Electric Code) and NFPA-75, 1992 (code for Protection of Electronic Computer/Data Processing Equipment). For electrical power ratings on options, refer to the product rating label or the user documentation supplied with that option.

 **WARNING:** To reduce the risk of personal injury, fire, or damage to the equipment, do not overload the AC supply branch circuit that provides power to the rack. Consult the electrical authority having jurisdiction over wiring and installation requirements of your facility.

 **CAUTION:** Protect the server from power fluctuations and temporary interruptions with a regulating uninterruptible power supply. This device protects the hardware from damage caused by power surges and voltage spikes and keeps the system in operation during a power failure.

When installing more than one server, you might need to use additional power distribution devices to safely provide power to all devices. Observe the following guidelines:

- Balance the server power load between available AC supply branch circuits.
- Do not allow the overall system AC current load to exceed 80% of the branch circuit AC current rating.
- Do not use common power outlet strips for this equipment.
- Provide a separate electrical circuit for the server.


For more information on the hot-plug power supply and calculators to determine server power consumption in various system configurations, see the HP Power Advisor website (<http://www.hp.com/go/hppoweradvisor>).


Electrical grounding requirements


The server must be grounded properly for proper operation and safety. In the United States, you must install the equipment in accordance with NFPA 70, 1999 Edition (National Electric Code), Article 250, as well as any local and regional building codes. In Canada, you must install the equipment in accordance with Canadian Standards Association, CSA C22.1, Canadian Electrical Code. In all other countries, you must install the equipment in accordance with any regional or national electrical wiring codes, such as the International Electrotechnical Commission (IEC) Code 364, parts 1 through 7. Furthermore, you must be sure that all power distribution devices used in the installation, such as branch wiring and receptacles, are listed or certified grounding-type devices.


Because of the high ground-leakage currents associated with multiple servers connected to the same power source, HP recommends the use of a PDU that is either permanently wired to the building's branch circuit or includes a nondetachable cord that is wired to an industrial-style plug. NEMA locking-style plugs or those complying with IEC 60309 are considered suitable for this purpose. Using common power outlet strips for the server is not recommended.


Server warnings and cautions

-
-  **WARNING:** This server is very heavy. To reduce the risk of personal injury or damage to the equipment:
- Observe local occupational health and safety requirements and guidelines for manual material handling.
 - Get help to lift and stabilize the product during installation or removal, especially when the product is not fastened to the rails. HP recommends that a minimum of two people are required for all rack server installations. A third person may be required to help align the server if the server is installed higher than chest level.
 - Use caution when installing the server in or removing the server from the rack; it is unstable when not fastened to the rails.
-

-  **WARNING:** To reduce the risk of personal injury from hot surfaces, allow the drives and the internal system components to cool before touching them.
-

-  **WARNING:** To reduce the risk of personal injury, electric shock, or damage to the equipment, remove the power cord to remove power from the server. The front panel Power On/Standby button does not completely shut off system power. Portions of the power supply and some internal circuitry remain active until AC power is removed.
-

-  **CAUTION:** Protect the server from power fluctuations and temporary interruptions with a regulating uninterruptible power supply. This device protects the hardware from damage caused by power surges and voltage spikes and keeps the system in operation during a power failure.
-

-  **CAUTION:** Do not operate the server for long periods with the access panel open or removed. Operating the server in this manner results in improper airflow and improper cooling that can lead to thermal damage.
-

Identifying tower server shipping carton contents

Unpack the server shipping carton and locate the materials and documentation necessary for installing the server.

The contents of the server shipping carton include:

- Server
- Power cord
- Hardware documentation and software products

In addition to the supplied items, you might need:

- Hardware options
- Operating system or application software
- PDU
- Torx T-15 screwdriver

Installing hardware options

Install any hardware options before initializing the server. For options installation information, refer to the option documentation. For server-specific information, refer to "Hardware options installation (on page 33)."

Setting up a tower server

Follow the steps in this section to set up a tower server.

1. Place the server on a flat, stable surface.
2. Connect peripheral devices to the server. ("Rear panel components" on page 9)



WARNING: To reduce the risk of electric shock, fire, or damage to the equipment, do not plug telephone or telecommunications connectors into RJ-45 connectors.

3. Connect the power cord to the rear of the server.
4. Connect the power cord to the AC power source.



WARNING: To reduce the risk of electric shock or damage to the equipment:

- Do not disable the power cord grounding plug. The grounding plug is an important safety feature.
 - Plug the power cord into a grounded (earthed) electrical outlet that is easily accessible at all times.
 - Unplug the power cord from the power supply to disconnect power to the equipment.
 - Do not route the power cord where it can be walked on or pinched by items placed against it. Pay particular attention to the plug, electrical outlet, and the point where the cord extends from the server.
-

Installing the server into a rack

To install the server into a rack with square, round, or threaded holes, refer to the instructions that ship with the rack hardware kit.


If you are installing the server into a telco rack, order the appropriate option kit at the RackSolutions website (<http://www.racksolutions.com/hp>). Follow the server-specific instructions on the website to install the rack brackets.

Use the following information when connecting peripheral cables and power cords to the server.




WARNING: This server is very heavy. To reduce the risk of personal injury or damage to the equipment:

- Observe local occupational health and safety requirements and guidelines for manual material handling.
 - Get help to lift and stabilize the product during installation or removal, especially when the product is not fastened to the rails. HP recommends that a minimum of two people are required for all rack server installations. A third person may be required to help align the server if the server is installed higher than chest level.
 - Use caution when installing the server in or removing the server from the rack; it is unstable when not fastened to the rails.
-


-
-  **CAUTION:** Always plan the rack installation so that the heaviest item is on the bottom of the rack. Install the heaviest item first, and continue to populate the rack from the bottom to the top.
-

To install the server in an HP, Compaq-branded, Telco, or a third-party rack:


1. Prepare the server for rack installation by installing the HP 100kg Sliding Shelf option kit (PN 234672-B21). For instructions, see the option kit documentation.
2. Connect peripheral devices to the server. For information on identifying connectors, see "Rear panel components (on page 9)."


-
-  **WARNING:** To reduce the risk of electric shock, fire, or damage to the equipment, do not plug telephone or telecommunications connectors into RJ-45 connectors.
-


3. Connect each power cord to the server.
4. Connect each power cord to the power source.

-
-  **WARNING:** To reduce the risk of electric shock or damage to the equipment:
- Do not disable the power cord grounding plug. The grounding plug is an important safety feature.
 - Plug the power cord into a grounded (earthed) electrical outlet that is easily accessible at all times.
 - Unplug the power cord from the power supply to disconnect power to the equipment.
 - Do not route the power cord where it can be walked on or pinched by items placed against it. Pay particular attention to the plug, electrical outlet, and the point where the cord extends from the server.
-

Rack warnings

-
-  **WARNING:** To reduce the risk of personal injury or damage to the equipment, be sure that:
- The leveling jacks are extended to the floor.
 - The full weight of the rack rests on the leveling jacks.
 - The stabilizing feet are attached to the rack if it is a single-rack installation.
 - The racks are coupled together in multiple-rack installations.
 - Only one component is extended at a time. A rack may become unstable if more than one component is extended for any reason.
-

-
-  **WARNING:** To reduce the risk of personal injury or equipment damage when unloading a rack:
- At least two people are needed to safely unload the rack from the pallet. An empty 42U rack can weigh as much as 115 kg (253 lb), can stand more than 2.1 m (7 ft) tall, and might become unstable when being moved on its casters.
 - Never stand in front of the rack when it is rolling down the ramp from the pallet. Always handle the rack from both sides.
-

-
-  **WARNING:** When installing a server in a telco rack, be sure that the rack frame is adequately secured to the top and bottom of the building structure.
-

Installing the operating system

This HP ProLiant server does not ship with provisioning media. Everything needed to manage and install the system software and firmware is preloaded on the server.

To operate properly, the server must have a supported operating system. For the latest information on operating system support, see the HP website (<http://www.hp.com/go/supportos>).

To install an operating system on the server, use one of the following methods:

- Intelligent Provisioning—iLO contains Intelligent Provisioning for embedded deployment, updating, and provisioning capabilities. Intelligent Provisioning can configure the server and install an operating system.

To install an operating system on the server with Intelligent Provisioning (local or remote):

- a. Connect the Ethernet cable between the network connector on the server and a network jack.
 - b. Press the Power On/Standby button.
 - c. During server POST, press **F10**.
 - d. Complete the initial Preferences and Registration portion of Intelligent Provisioning (on page 101).
 - e. At the 1 Start screen, click **Configure and Install**.
 - f. To finish the installation, follow the onscreen prompts. An Internet connection is required to update the firmware and systems software.
- Remote deployment installation—To deploy an operating system remotely, use Insight Control Server Provisioning for an automated solution.

For additional system software and firmware updates, download the HP Service Pack for ProLiant from the HP website (<http://www.hp.com/go/spp/download>). Software and firmware must be updated before using the server for the first time, unless any installed software or components require an older version. For more information, see "Keeping the system current (on page 109)."

For more information on using these installation methods, see the HP website (<http://www.hp.com/go/ilo>).

Powering on and selecting boot options in UEFI Boot Mode

On servers operating in UEFI Boot Mode, the boot controller and boot order are set automatically.

1. Press the Power On/Standby button.
2. During the initial boot:
 - To modify the server configuration ROM default settings, press the **F9** key in the HP ProLiant POST screen to enter the UEFI System Utilities screen. By default, the System Utilities menus are in the English language.
 - If you do not need to modify the server configuration and are ready to install the system software, press the **F10** key to access Intelligent Provisioning.

For more information on automatic configuration, see the UEFI documentation on the HP website (<http://www.hp.com/go/ProLiantUEFI/docs>).


Registering the server


To experience quicker service and more efficient support, register the product at the HP Product Registration website (<http://register.hp.com>).

Hardware options installation

Introduction

If more than one option is being installed, read the installation instructions for all the hardware options and identify similar steps to streamline the installation process.

 **WARNING:** To reduce the risk of personal injury from hot surfaces, allow the drives and the internal system components to cool before touching them.

 **CAUTION:** To prevent damage to electrical components, properly ground the server before beginning any installation procedure. Improper grounding can cause electrostatic discharge.

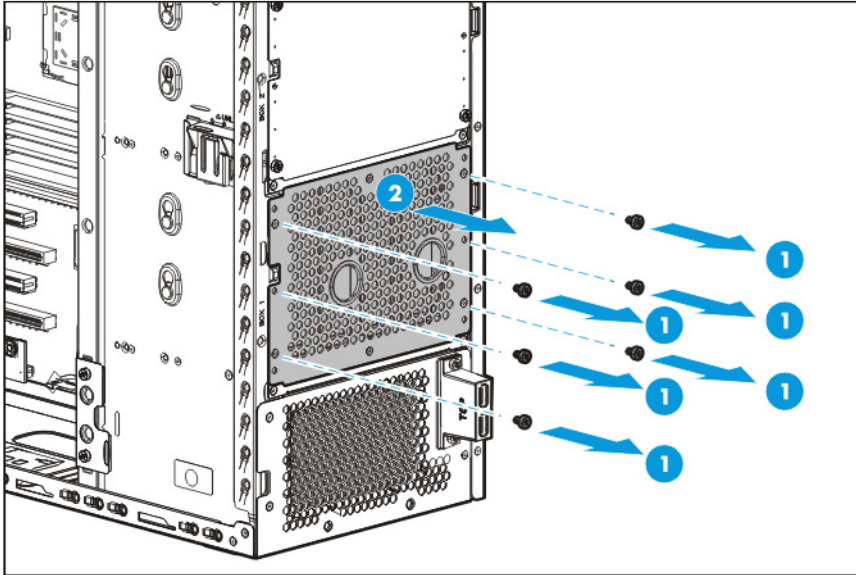
Drive cage options

4-bay LFF hot-plug drive cage option

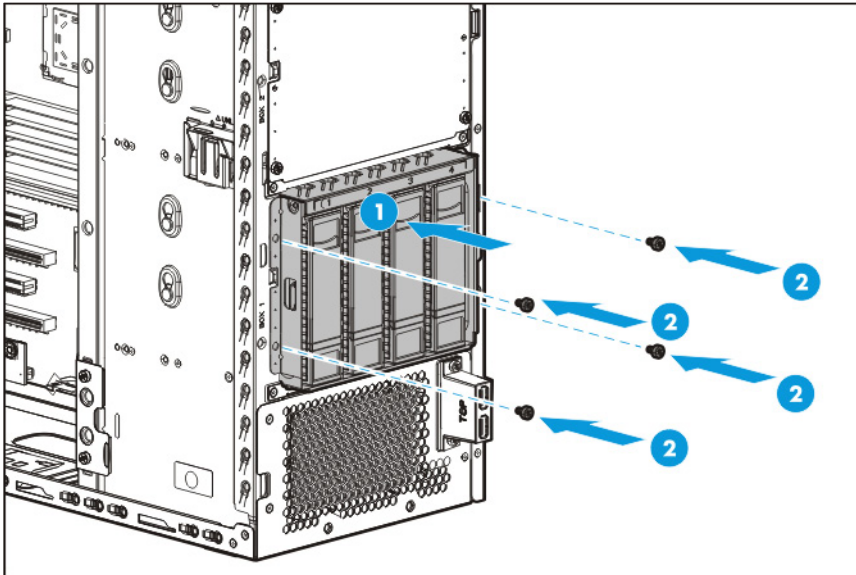
To install the component:

1. Power down the server (on page 18).
2. Remove all power:
 - a. Disconnect each power cord from the power source.
 - b. Disconnect each power cord from the server.
3. Place the server on its side.
4. Remove the access panel (on page 18).
5. Remove the front bezel (on page 20).
6. If installed, remove the PCI air baffle (on page 22).
7. Remove the system air baffle (on page 23).
8. Disconnect all existing drive cage cables.

9. Remove the installed drive cage assembly.



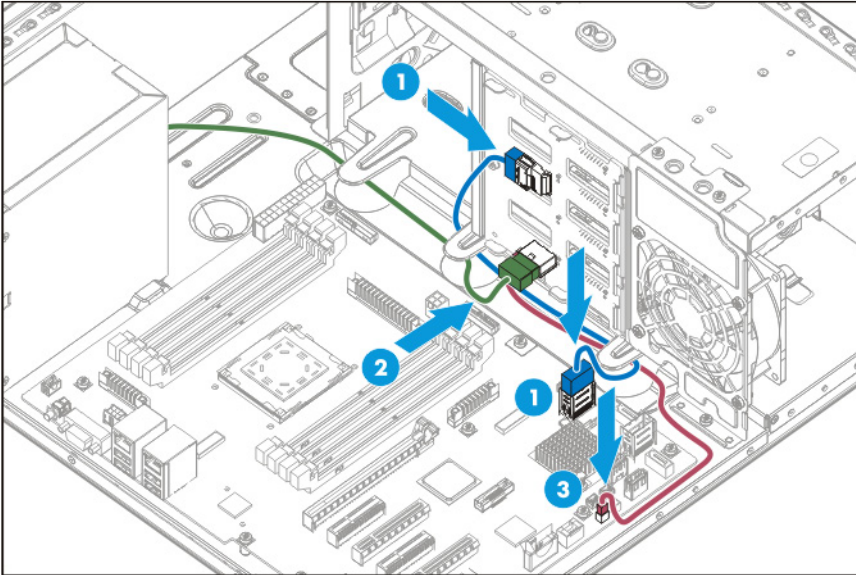
10. Install the 4 LFF hot-plug drive cage assembly in box 1.



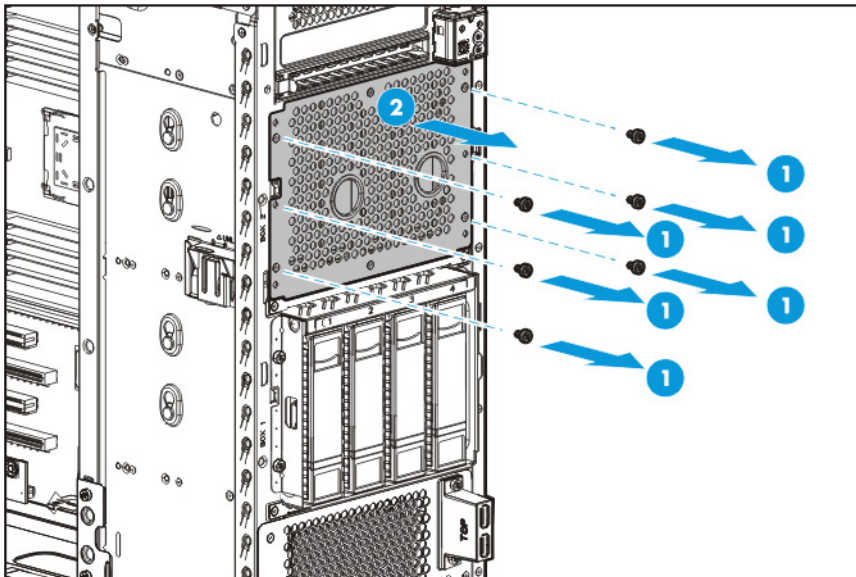
11. Connect the drive cage cables:

- a. Connect one end of the Mini-SAS cable to the drive backplane and the other end to the system board.
- b. Connect the 8-pin power cable to the drive backplane.
- c. Connect the power good cable to the hard drive power good cable connector 1 on the system board ("[System board components](#)" on page 11).

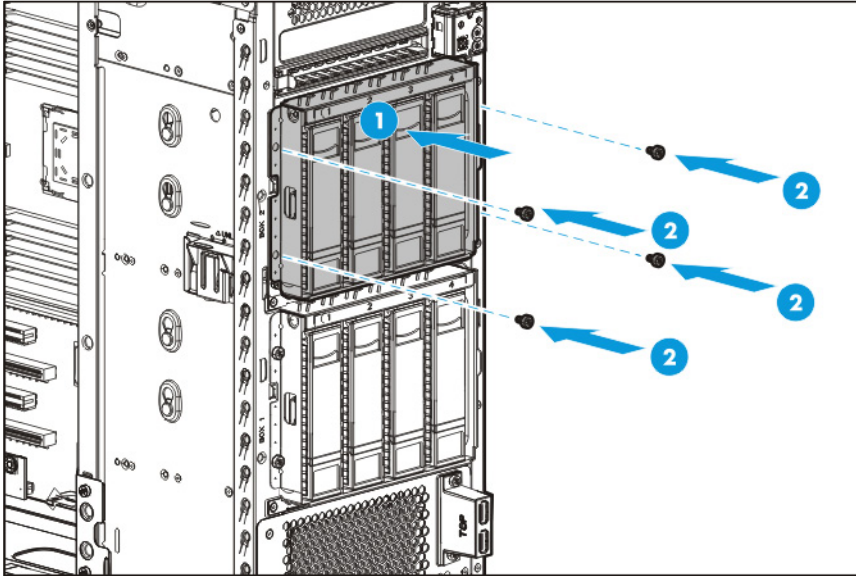
- d. Route the cables underneath the metal tabs.



12. Install the drives, based on the drive numbering (on page 14) sequence. Start from the drive bay with the lowest number in box 1.
13. If installing a 4-bay LFF hot-plug drive cage in box 2, remove the drive cage blank.



14. Install the 4-bay LFF hot-plug drive cage assembly in box 2.



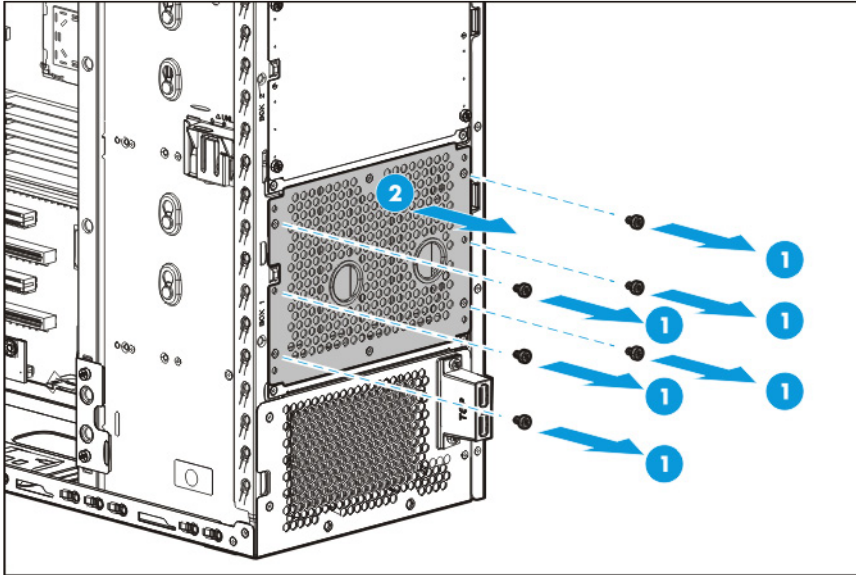
15. Connect the drive cage cables. See 4-bay LFF hot-plug drive cabling (on page 85). Then, install the drives.
16. Install the system air baffle (on page 24).
17. If removed, install the PCI air baffle ("Install the PCI air baffle" on page 22).
18. Install the front bezel (on page 21).
19. Install the access panel (on page 19).
20. Return the server to an upright position.
21. Connect each power cord to the server.
22. Connect each power cord to the power source.
23. Power up the server (on page 18).

8-bay SFF hot-plug drive cage option

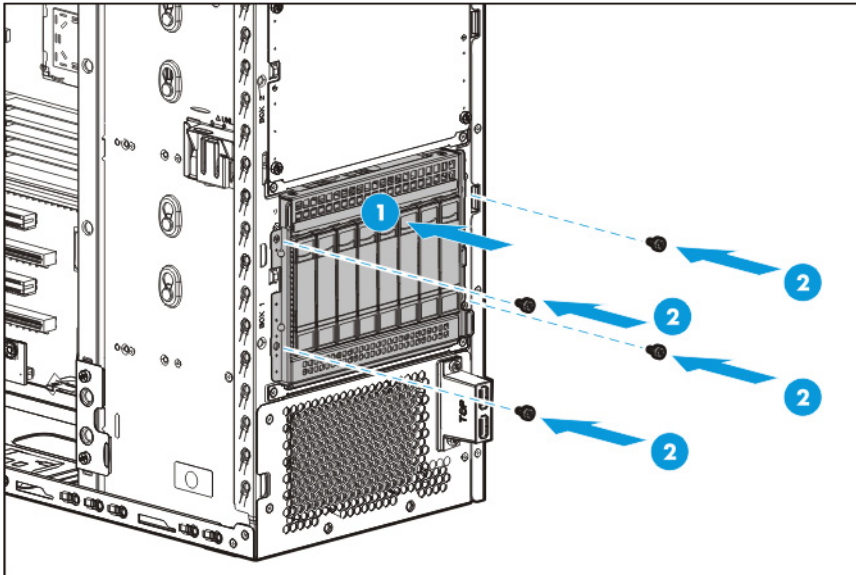
To install the component:

1. Power down the server (on page 18).
2. Remove all power:
 - a. Disconnect each power cord from the power source.
 - b. Disconnect each power cord from the server.
3. Place the server on its side.
4. Remove the access panel (on page 18).
5. Remove the front bezel (on page 20).
6. If installed, remove the PCI air baffle (on page 22).
7. Remove the system air baffle (on page 23).
8. Disconnect all existing drive cage cables.

9. Remove the installed drive cage assembly.



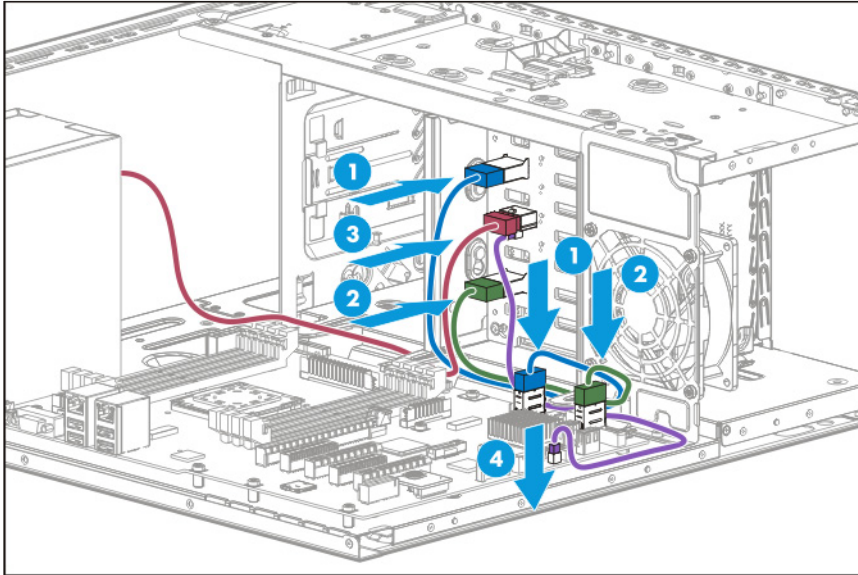
10. Install the 8 SFF hot-plug drive cage in box 1.



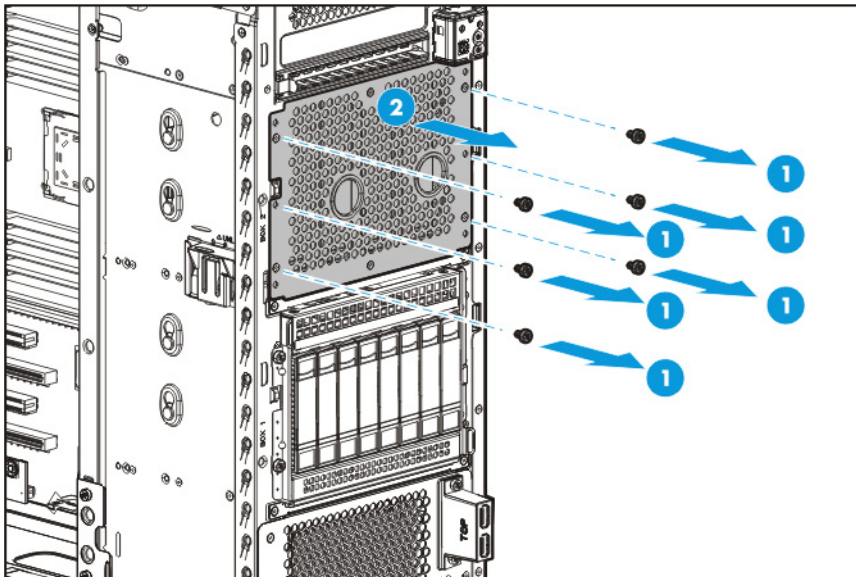
11. Connect the drive cage cables:

- a. Connect one end of the Mini-SAS cable to the drive backplane and the other end to the system board.
- b. Connect the 8-pin power cable to the drive backplane.
- c. Connect the power good cable to the hard drive power good cable connector 1 on the system board ("[System board components](#)" on page 11).

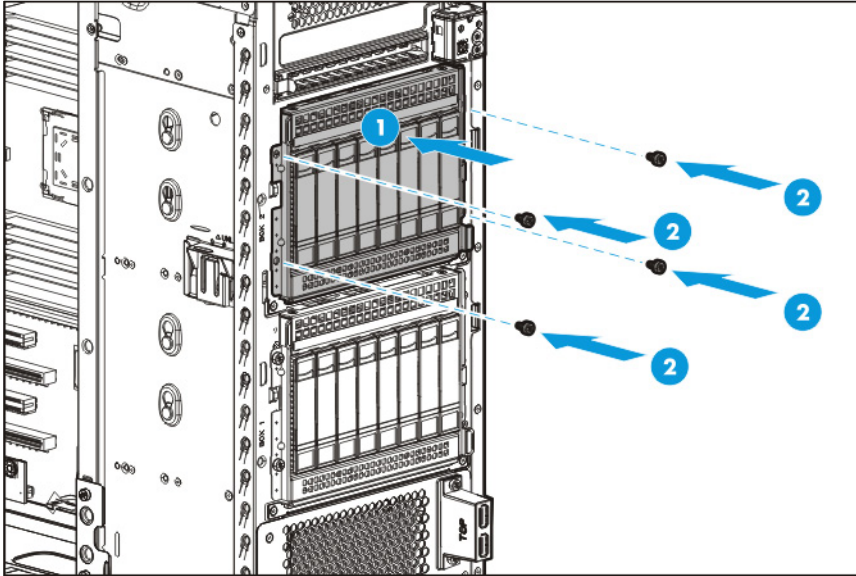
- d. Route the cables underneath the metal tabs.



12. Install the drives, based on the drive numbering (on page 14) sequence. Start from the drive bay with the lowest number in box 1.
13. If installing a 8-bay SFF hot-plug drive cage in box 2, remove the drive cage blank.



14. Install the 8-bay SFF hot-plug drive cage assembly in box 2.



15. If two 8-bay SFF hot-plug drive cages are installed, install the storage controller ("Installing the storage controller and FBWC module options" on page 49).
16. Connect the drive cage cables. See 8-bay SFF hot-plug drive cabling (on page 88). Then, install the drives.
17. Install the system air baffle (on page 24).
18. If removed, install the PCI air baffle ("Install the PCI air baffle" on page 22).
19. Install the front bezel (on page 21).
20. Install the access panel (on page 19).
21. Return the server to an upright position.
22. Connect each power cord to the server.
23. Connect each power cord to the power source.
24. Power up the server (on page 18).

Drive options

For a list of drive configurations supported in this server, see "Drive numbering (on page 14)."

The embedded storage controller supports SATA drive installation. For SAS drive installation, install an HP Host Bus Adapter or an HP Smart Array Controller board option.

For more information about product features, specifications, options, configurations, and compatibility, see the product QuickSpecs on the HP website (<http://www.hp.com/go/qs>).

Drive installation guidelines

When adding drives to the server, observe the following general guidelines:

- The system automatically sets all device numbers.
- Populate drive bays, based on the drive numbering sequence. Start from the drive bay with the lowest device number ("Drive numbering" on page 14).

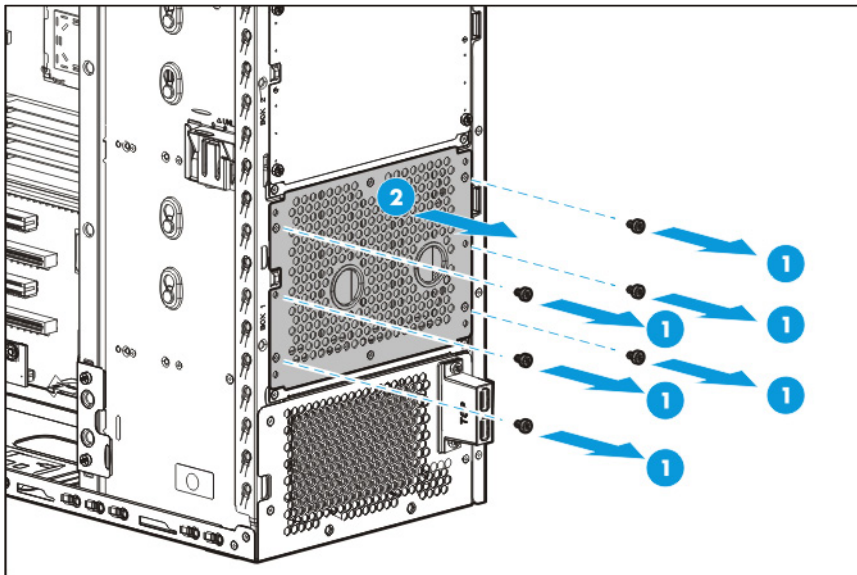
- All drives grouped into the same drive array must meet the following criteria:
 - They must be either all SAS or all SATA.
 - They must be either all hard drives or all solid state drives.
 - For the most efficient use of drive space, the drives must have approximately the same capacity. Each configuration utility treats every physical drive in an array as if it has the same capacity as the smallest drive in the array. Any excess capacity of a particular drive cannot be used in the array and so is unavailable for data storage.

Installing a non-hot-plug drive

CAUTION: To prevent improper cooling and thermal damage, do not operate the server unless all bays are populated with either a component or a blank.

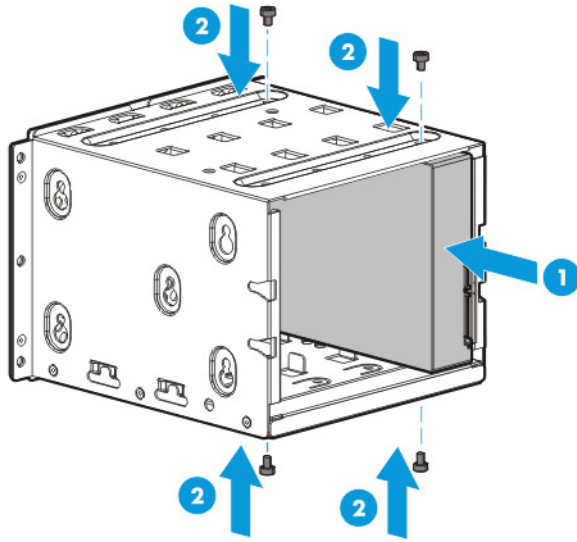
To install the component:

1. Power down the server (on page 18).
2. Remove all power:
 - a. Disconnect each power cord from the power source.
 - b. Disconnect each power cord from the server.
3. Place the server on its side.
4. Remove the access panel (on page 18).
5. Remove the front bezel (on page 20).
6. If installed, remove the PCI air baffle (on page 22).
7. Remove the system air baffle (on page 23).
8. Disconnect all existing drive cage cables.
9. Remove the installed drive cage assembly.

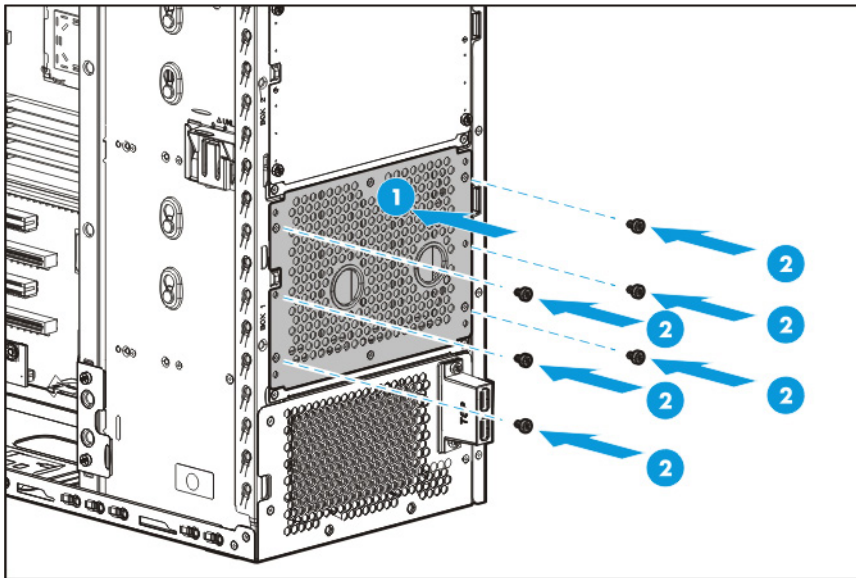


10. Use the screws on the drive cage to install the drives.

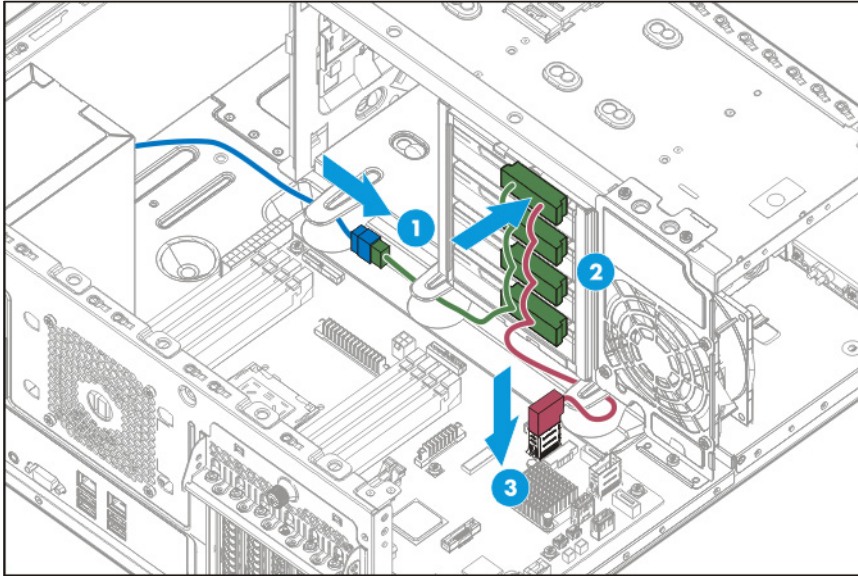
11. Install the drive into the non-hot-plug drive cage.



12. Install the drive cage into the chassis.



13. Connect all the drive cables.



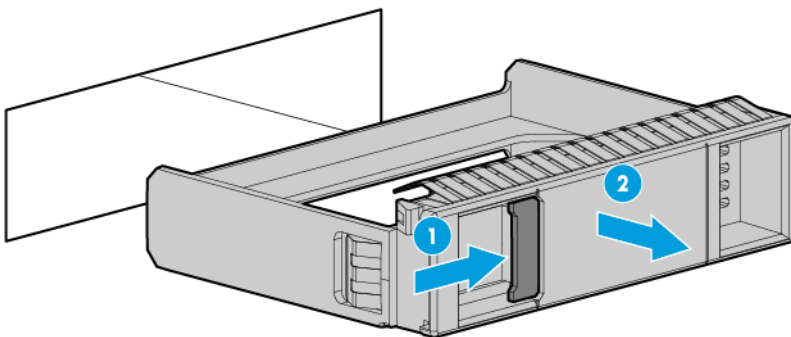
14. Install the system air baffle (on page 24).
15. If removed, install the PCI air baffle ("Install the PCI air baffle" on page 22).
16. Install the front bezel (on page 21).
17. Install the access panel (on page 19).
18. Return the server to an upright position.
19. Connect each power cord to the server.
20. Connect each power cord to the power source.
21. Power up the server (on page 18).

Installing a hot-plug drive

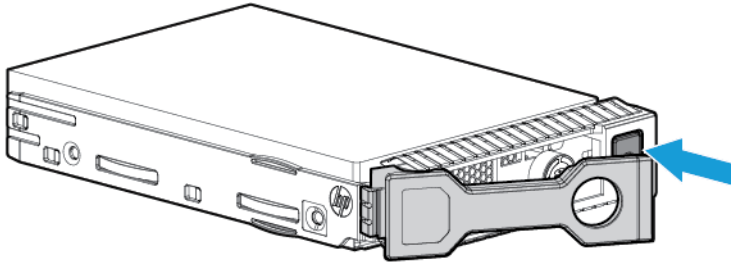
CAUTION: To prevent improper cooling and thermal damage, do not operate the server unless all bays are populated with either a component or a blank.

To install the component:

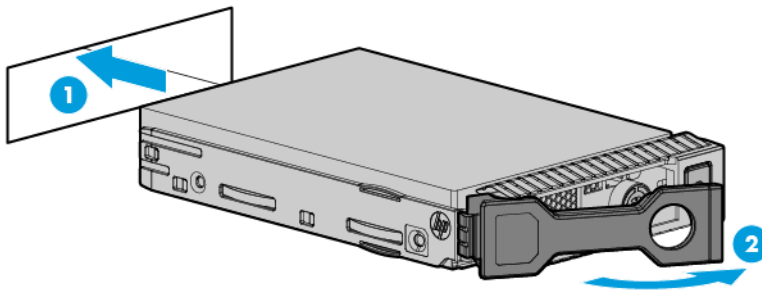
1. Remove the drive blank.



2. Prepare the drive.



3. Install the drive.



4. Determine the status of the drive from the drive LED definitions.

To configure arrays, see the *HP Smart Storage Administrator User Guide* on the HP website (<http://www.hp.com/go/smartstorage/docs>).

Drive cable options

Use these drive cable options to install an HP Host Bus Adapter or an HP Smart Array Controller board option.

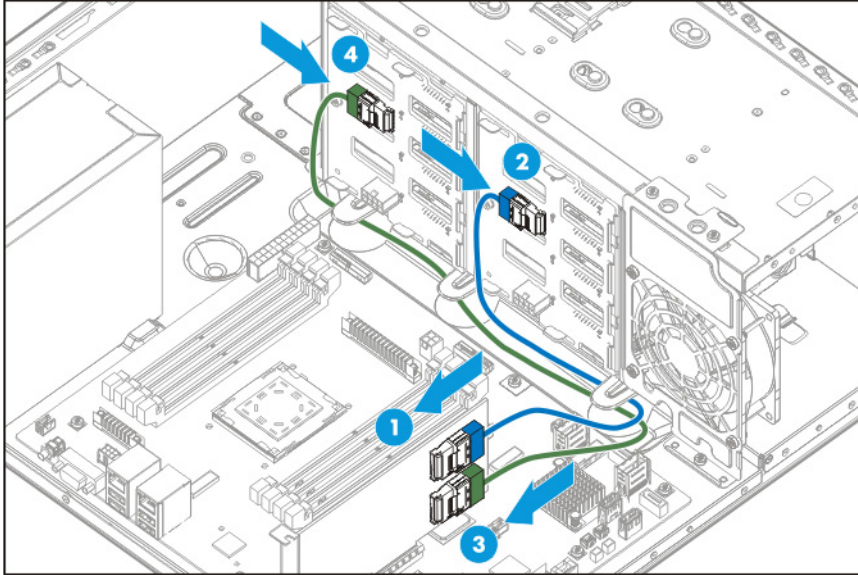
For more information about product features, specifications, options, configurations, and compatibility, see the product QuickSpecs on the HP website (<http://www.hp.com/go/qs>).

Host Bus Adapter Mini-SAS cable option

To install the component:

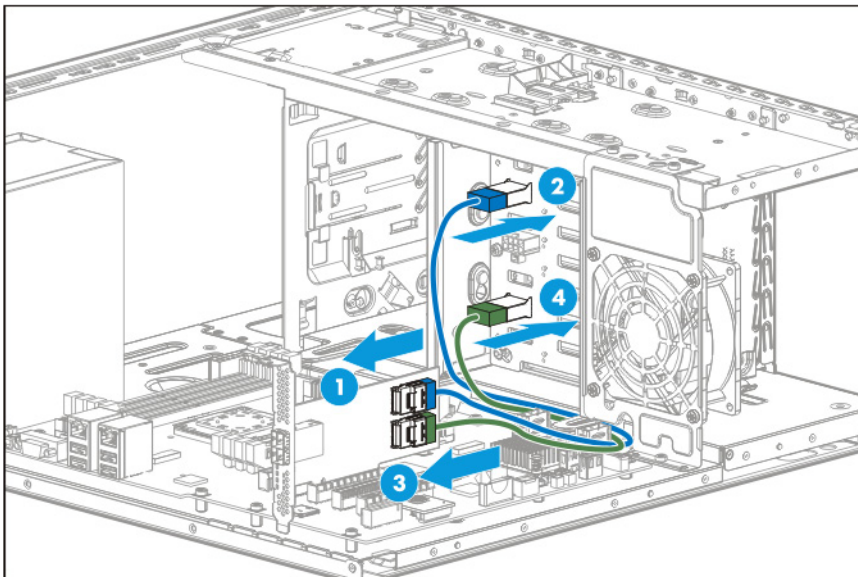
1. Power down the server (on page 18).
2. Remove all power:
 - a. Disconnect each power cord from the power source.
 - b. Disconnect each power cord from the server.
3. Place the server on its side.
4. Remove the access panel (on page 18).
5. If installed, remove the PCI air baffle (on page 22).

6. Remove the system air baffle (on page 23).
7. Disconnect the existing Mini-SAS cables from the drive backplane and the Mini-SAS connectors on the system board.
8. Connect one end of the cable to the Host Bus Adapter, route the cable underneath the metal tabs, and then connect the other end to the drive backplane.
 - o Two 4 LFF hot-plug drive cages connected to a H240 adapter



Item	Description
1	Port 1 controller connection
2	Box 1 drive backplane connection
3	Port 2 controller connection
4	Box 2 drive backplane connection

- o 8 SFF hot-plug drive cage connected to a H240 adapter



Item	Description
1	Port 1 controller connection
2	Mini-SAS port 1 connection
3	Port 2 controller connection
4	Mini-SAS port 2 connection

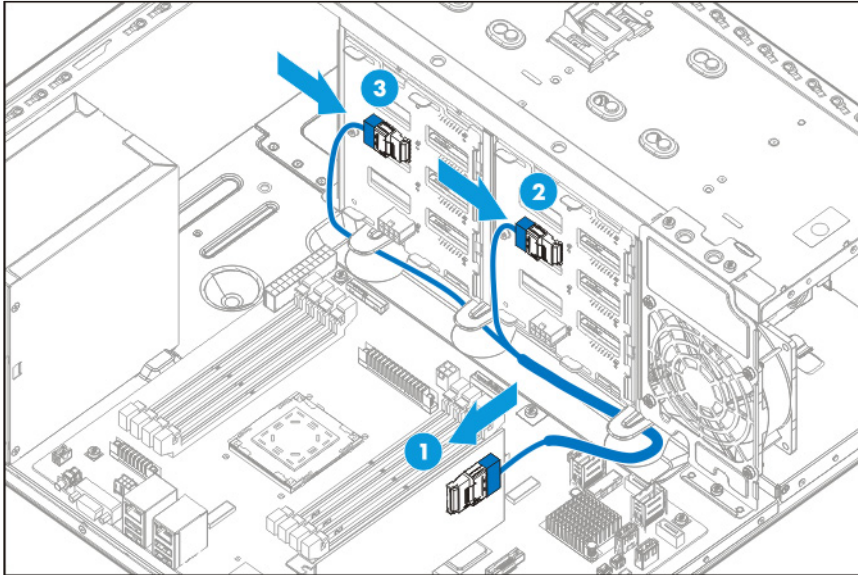
9. Install the Host Bus Adapter. HP recommends installing the H240 Host Bus Adapter in slot 3 or slot 5.
10. Install the system air baffle (on page 24).
11. If removed, install the PCI air baffle ("[Install the PCI air baffle](#)" on page 22).
12. Install the access panel (on page 19).
13. Return the server to an upright position.
14. Connect each power cord to the server.
15. Connect each power cord to the power source.
16. Power up the server (on page 18).

Smart Array Controller Mini-SAS cable option

To install the component:

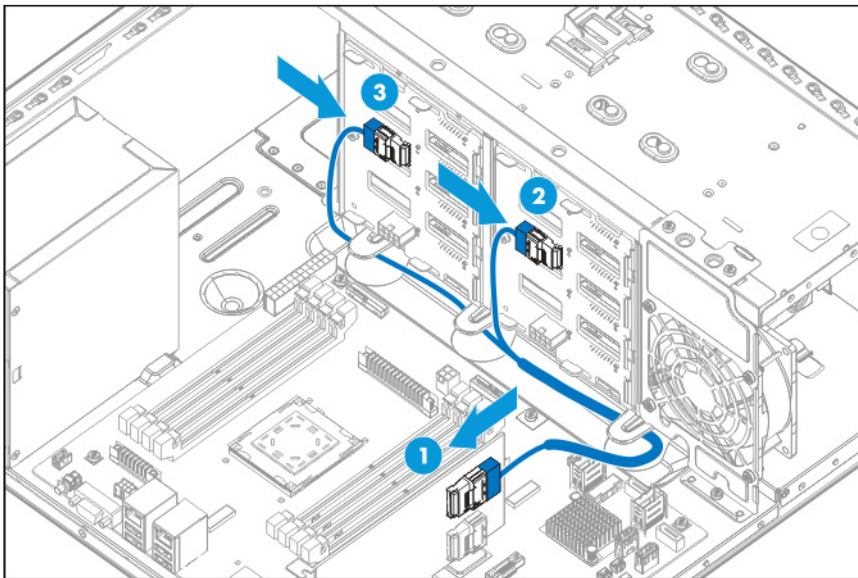
1. Power down the server (on page 18).
2. Remove all power:
 - a. Disconnect each power cord from the power source.
 - b. Disconnect each power cord from the server.
3. Place the server on its side.
4. Remove the access panel (on page 18).
5. If installed, remove the PCI air baffle (on page 22).
6. Remove the system air baffle (on page 23).
7. Disconnect the existing Mini-SAS cables from the drive backplane and the Mini-SAS connectors on the system board.
8. Connect one end of the cable to the Smart Array Controller, route the cable underneath the metal tabs, and then connect the other end to the drive backplane.

- Two 4 LFF hot-plug drive cages connected to a P440 controller



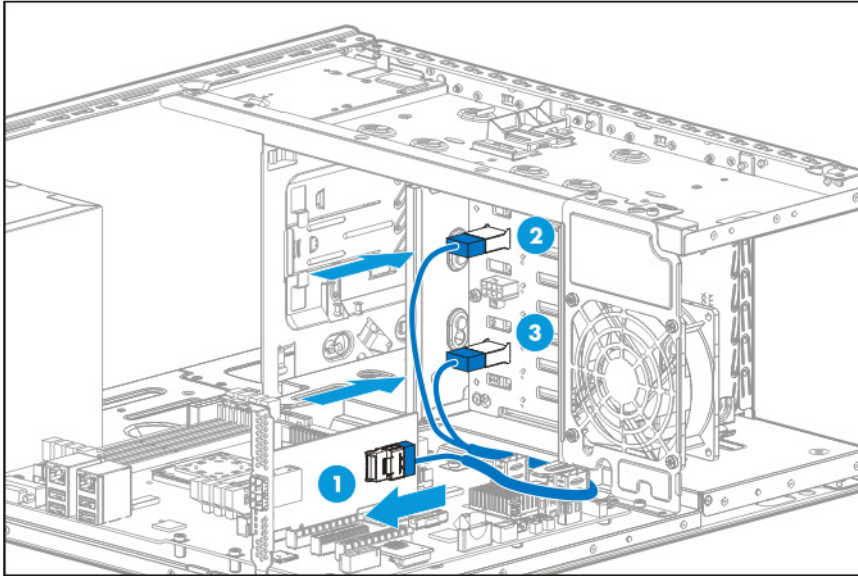
Item	Description
1	Controller connection
2	Port 1 of the Mini-SAS Y-cable to box 1 drive backplane
3	Port 2 of the Mini-SAS Y-cable to box 2 drive backplane

- Two 4 LFF hot-plug drive cages connected to a P840 controller



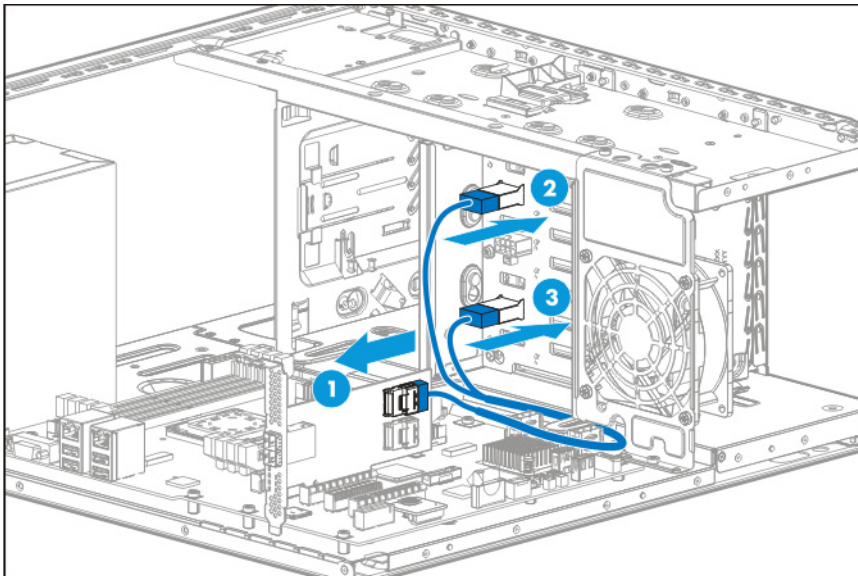
Item	Description
1	Port 1 controller connection
2	Port 1 of the Mini-SAS Y-cable to box 1 drive backplane
3	Port 2 of the Mini-SAS Y-cable to box 2 drive backplane

- 8 SFF hot-plug drive cage connected to a P440 controller



Item	Description
1	Controller connection
2	Port 1 of the Mini-SAS Y-cable to Mini-SAS port 1 on the drive backplane
3	Port 2 of the Mini-SAS Y-cable to Mini-SAS port 2 on the drive backplane

- 8 SFF hot-plug drive cage connected to a P840 controller



Item	Description
1	Port 1 controller connection
2	Port 1 of the Mini-SAS Y-cable to Mini-SAS port 1 on the drive backplane

Item	Description
3	Port 2 of the Mini-SAS Y-cable to Mini-SAS port 2 on the drive backplane

For the second 8 SFF hot-plug drive cage in box 2, connect the second mini-SAS Y cable to port 2 on the P840 controller.

9. Install the Smart Array Controller. The P440/P840 Smart Array Controller is recommended to be installed in slot 3 or slot 5.
10. Install the system air baffle (on page 24).
11. If removed, install the PCI air baffle ("[Install the PCI air baffle](#)" on page 22).
12. Install the access panel (on page 19).
13. Return the server to an upright position.
14. Connect each power cord to the server.
15. Connect each power cord to the power source.
16. Power up the server (on page 18).

Controller options

The server ships with an embedded HP Dynamic Smart Array B140i Controller. For more information about the controller and its features, see the *HP Dynamic Smart Array B140i RAID Controller User Guide* on the HP website (<http://www.hp.com/go/smartstorage/docs>).

Upgrade options exist for an integrated array controller. For a list of supported options, see the product QuickSpecs on the HP website (<http://www.hp.com/go/qs>).

To configure arrays, see the *HP Smart Storage Administrator User Guide* on the HP website (<http://www.hp.com/go/smartstorage/docs>).

The server supports FBWC. FBWC consists of a cache module and an HP Smart Storage Battery Pack. The DDR cache module buffers and stores data being written by an integrated Gen9 P-series Smart Array Controller.

This server supports the 96-W HP Smart Storage Battery Pack. This battery pack can support up to 24 devices. Devices in this context refer to the HP Smart Array Controller or NVDIMM associated with the cache module.

The battery pack might have a low charge when installed. If the battery does have low charge, a POST error message appears when the server is powered up, indicating that the battery pack is temporarily disabled. No action is necessary. The internal circuitry automatically recharges the batteries and enables the battery pack. When the system is powered on this process might take approximately 2 hours.

If a system power failure occurs, a fully charged battery pack provides power for up to 150 seconds. During that interval, the controller transfers the cached data from DDR memory to flash memory, where the data remains indefinitely or until a controller retrieves the data. The data protection and the time limit also apply if a power outage occurs. When power is restored to the system, an initialization process writes the preserved data to the storage drives.



CAUTION: The cache module connector does not use the industry-standard DDR3 mini-DIMMs. Do not use the controller with cache modules designed for other controller models, because the controller can malfunction and you can lose data. Also, do not transfer this cache module to an unsupported controller model, because you can lose data.

-
- △ **CAUTION:** To prevent a server malfunction or damage to the equipment, do not add or remove the battery pack while an array capacity expansion, RAID level migration, or stripe size migration is in progress.
-
- △ **CAUTION:** After the server is powered down, wait for 30 seconds, and then check the amber LED before unplugging the cable from the cache module. If the amber LED flashes after 30 seconds, do not remove the cable from the cache module. The cache module is backing up data. Data will be lost if the cable is detached when the amber LED is still flashing.
-

Storage controller installation guidelines

To maintain optimal thermal conditions when installing an HP P-series Smart Array Controller or an HP HBA option, HP recommends the following guidelines.

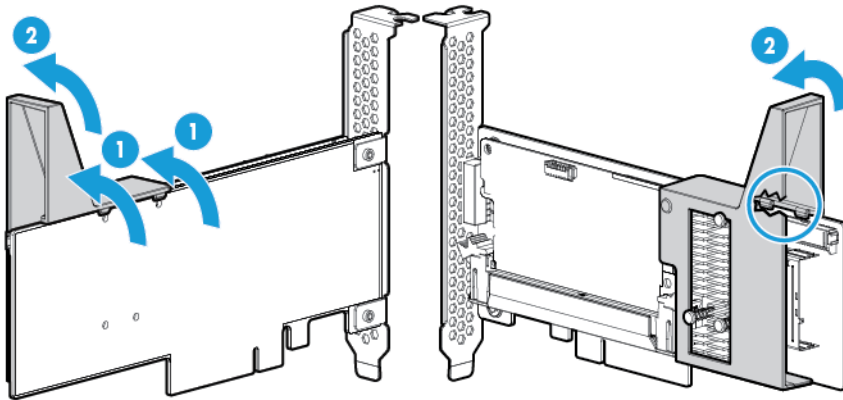
Install this storage controller/HBA option	In slot	Using this cable option
H240 adapter	Slot 3 or Slot 5	HP Host Bus Adapter Mini-SAS cable option
P440 controller	Slot 3 or Slot 5	HP Smart Array Controller Mini-SAS cable option
P840 controller	Slot 3 or Slot 5	HP Smart Array Controller Mini-SAS cable option

Installing the storage controller and FBWC module options

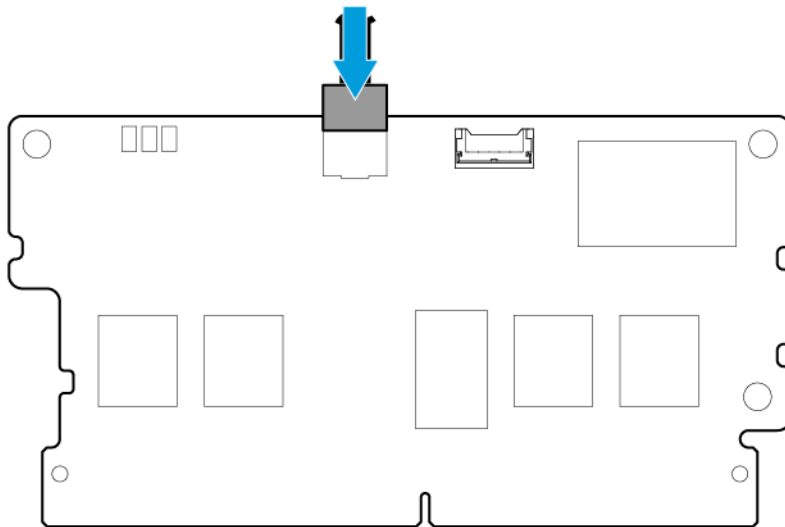
To install the component:

1. Power down the server (on page 18).
2. Remove all power:
 - a. Disconnect each power cord from the power source.
 - b. Disconnect each power cord from the server.
3. Place the server on its side.
4. Remove the access panel (on page 18).
5. If installed, remove the PCI air baffle (on page 22).
6. Remove the system air baffle (on page 23).
7. If you intend to use an FBWC module, install the module on the storage controller.

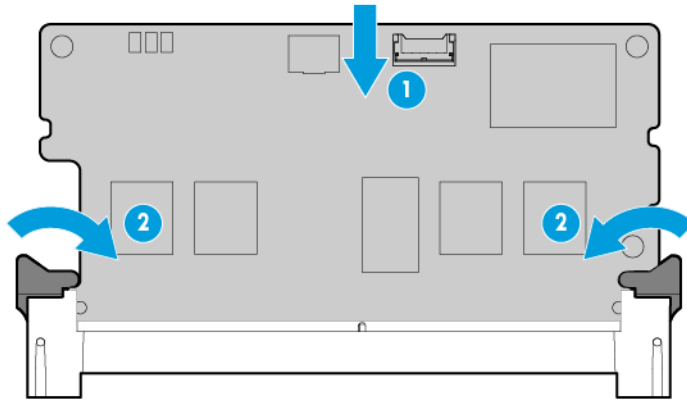
- a. If you are installing an HP Smart Array P440 Controller, remove the air scoop.



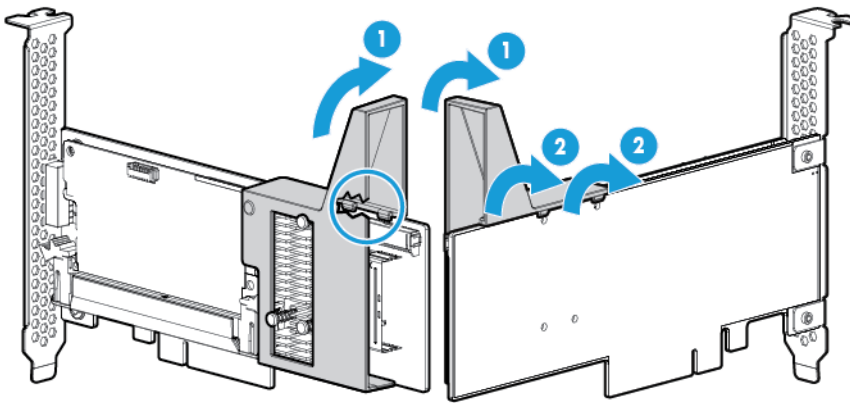
- b. Connect the cache module backup power cable to the module.



- c. Install the cache module on the storage controller.

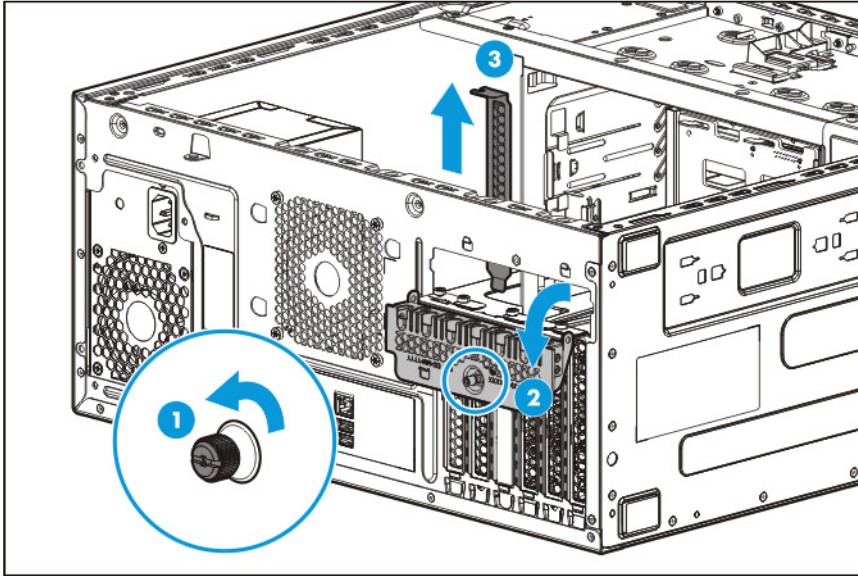


- d. If you are installing an HP Smart Array P440 Controller, install the air scoop back onto the controller.

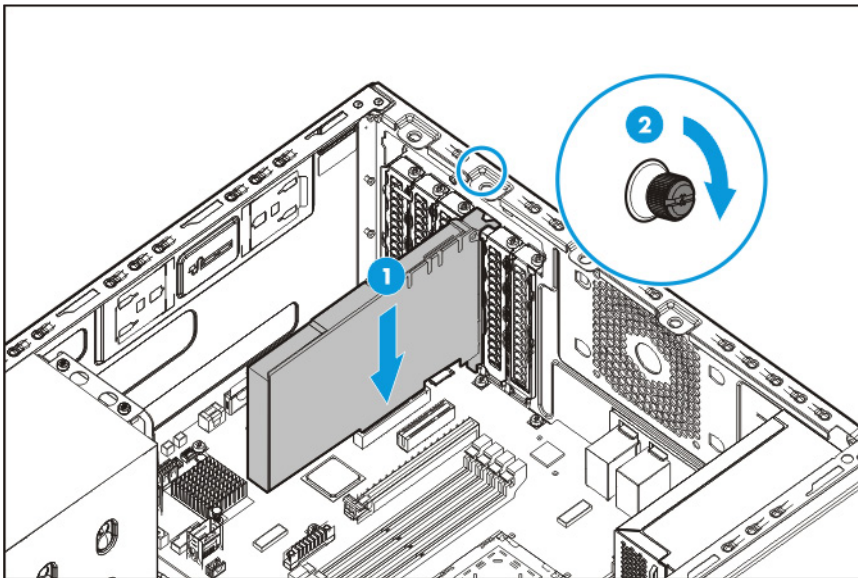


- 8. Locate the appropriate PCIe slot to install the storage controller ("[Storage controller installation guidelines](#)" on page 49).

9. Open the PCIe slot cover retainer and remove the slot 3 blank.



10. Install the storage controller and close the PCIe slot cover retainer.

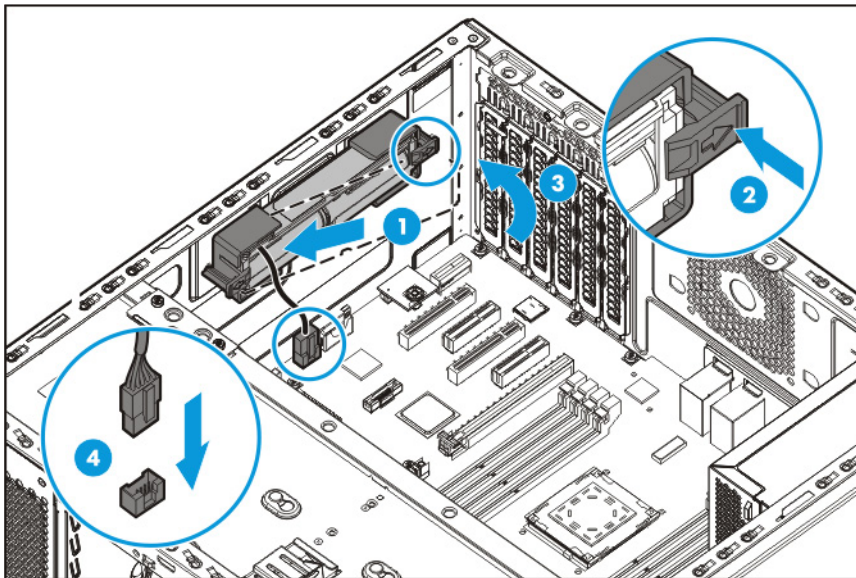


11. If you installed a cache module on the storage controller, connect the cache module cable to the system board connector. For cache module cabling information, see "FBWC module cabling (on page 91)".
12. Connect all necessary cables to the storage controller and drive cage backplane. For internal drive cabling information, see "Storage cabling (on page 84)."
13. Install the system air baffle (on page 24).
14. If removed, install the PCI air baffle ("Install the PCI air baffle" on page 22).
15. Install the access panel (on page 19).
16. Return the server to an upright position.
17. Connect each power cord to the server.
18. Connect each power cord to the power source.
19. Power up the server (on page 18).

Installing an HP Smart Storage Battery

To install the component:

1. Power down the server (on page 18).
2. Remove all power:
 - a. Disconnect each power cord from the power source.
 - b. Disconnect each power cord from the server.
3. Place the server on its side.
4. Remove the access panel (on page 18).
5. If installed, remove the PCI air baffle (on page 22).
6. Remove the system air baffle (on page 23).
7. Install HP Smart Storage Battery holder if not installed ("HP Smart Storage Battery holder option" on page 53).
8. Install the HP Smart Storage Battery, and then connect the battery cable to the system board connector.



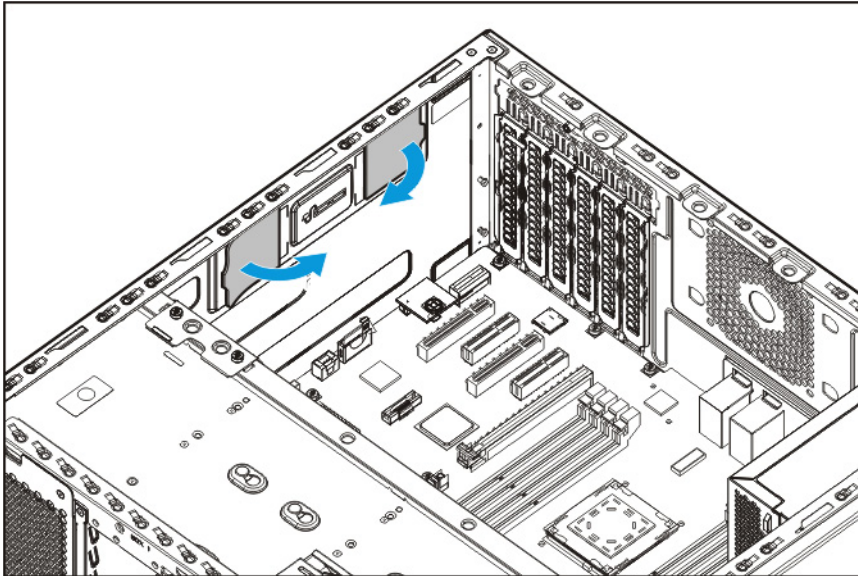
9. Install the system air baffle (on page 24).
10. If removed, install the PCI air baffle ("Install the PCI air baffle" on page 22).
11. Install the access panel (on page 19).
12. Return the server to an upright position.
13. Connect each power cord to the server.
14. Connect each power cord to the power source.
15. Power up the server (on page 18).

HP Smart Storage Battery holder option

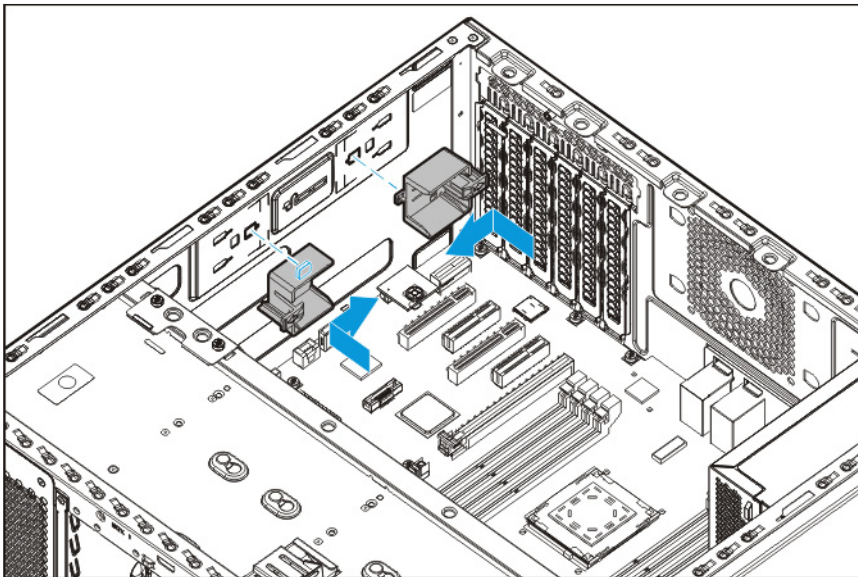
To install the component:

1. Power down the server (on page 18).
2. Remove all power:

- a. Disconnect each power cord from the power source.
 - b. Disconnect each power cord from the server.
3. Place the server on its side.
4. Remove the access panel (on page 18).
5. If installed, remove the PCI air baffle (on page 22).
6. Remove the system air baffle (on page 23).
7. Remove the slot covers.



8. Install the HP Smart Storage Battery holders.



9. Install the system air baffle (on page 24).
10. If removed, install the PCI air baffle ("Install the PCI air baffle" on page 22).
11. Install the access panel (on page 19).
12. Return the server to an upright position.

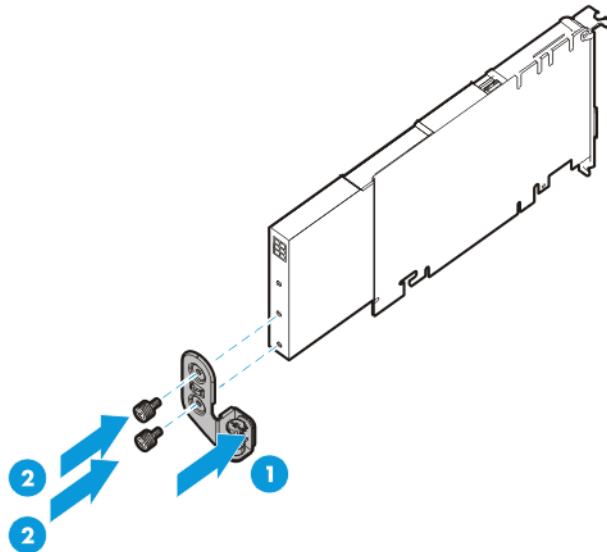
13. Connect each power cord to the server.
14. Connect each power cord to the power source.
15. Power up the server (on page 18).

GPU supporting holder option

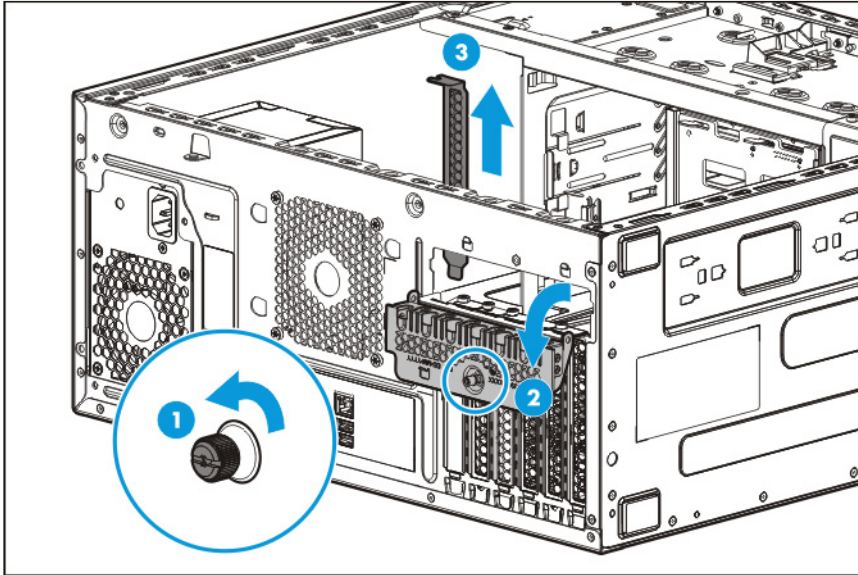
The server supports both K2200 and K4200 GPU cards. Install the GPU card in the first PCIe slot only. This option is only required if you install the K4200 GPU card.

To install the component:

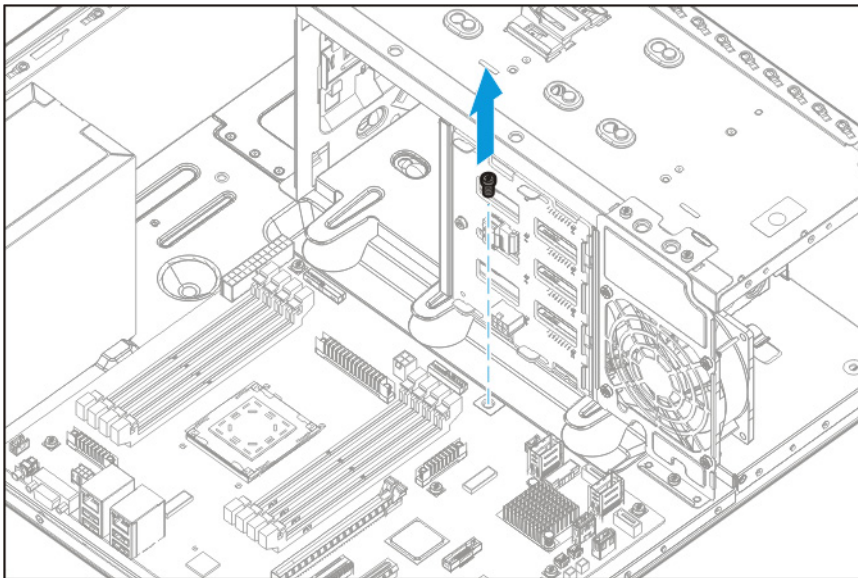
1. Power down the server (on page 18).
2. Remove all power:
 - a. Disconnect each power cord from the power source.
 - b. Disconnect each power cord from the server.
3. Place the server on its side.
4. Remove the access panel (on page 18).
5. If installed, remove the PCI air baffle (on page 22).
6. Remove the system air baffle (on page 23).
7. Remove the GPU bracket and retain the screws for future use.
8. Install the supporting holder.



9. Open the PCIe slot cover retainer and remove the slot 1 blank.

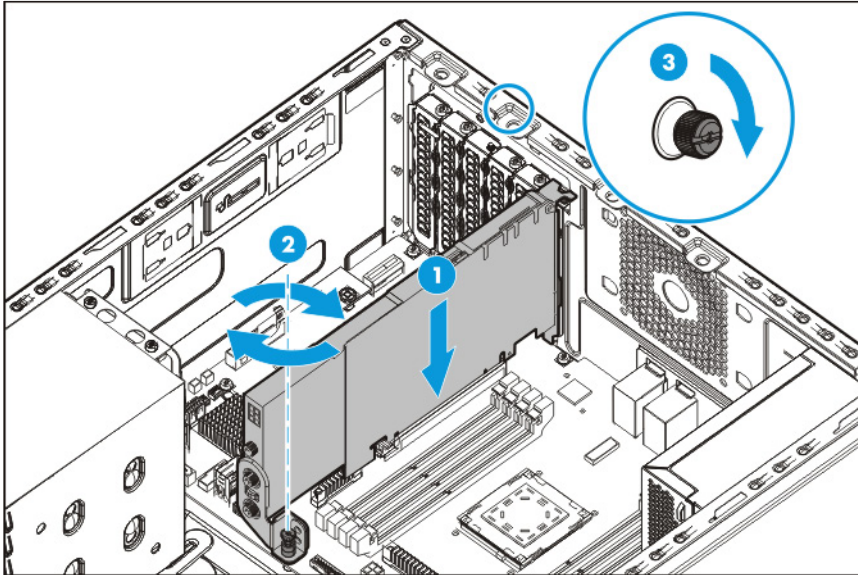


10. Retain the blank for future use.
11. Remove the secured screw from the system board.

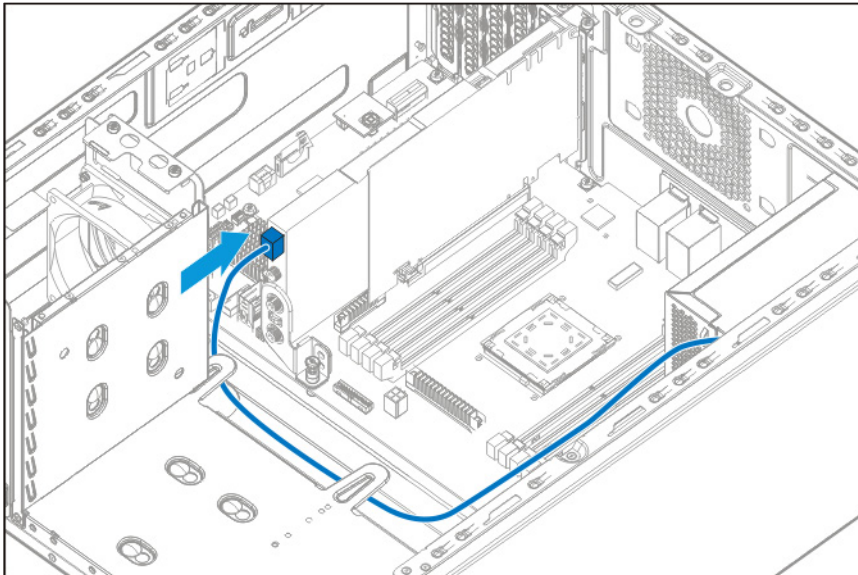


12. Install the GPU with the supporting holder in slot 1:
 - a. Secure the captive screw of the supporting holder to the system board.

- b. Close the PCIe slot cover retainer.



- 13. Connect the 6-pin power cable from the power supply to the GPU.

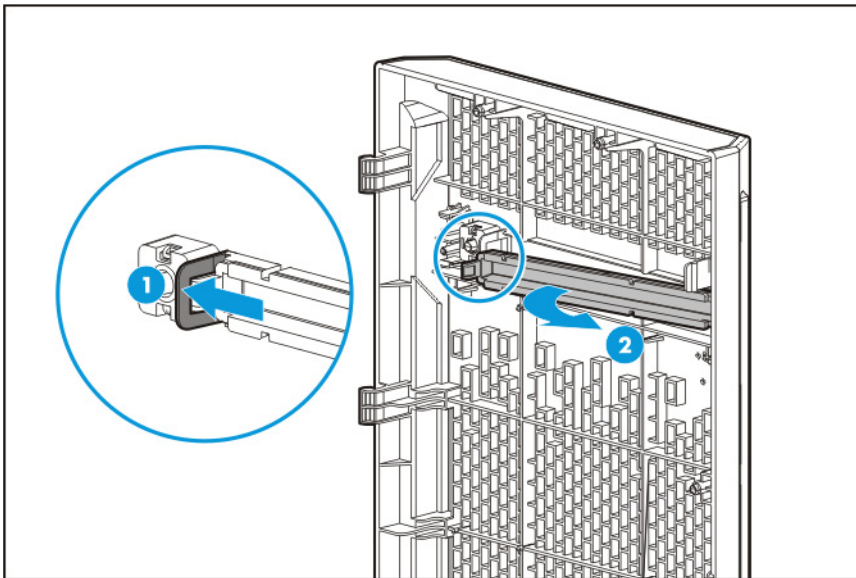


- 14. Install the system air baffle (on page 24).
- 15. If removed, install the PCI air baffle ("[Install the PCI air baffle](#)" on page 22).
- 16. Install the access panel (on page 19).
- 17. Return the server to an upright position.
- 18. Connect each power cord to the server.
- 19. Connect each power cord to the power source.
- 20. Power up the server (on page 18).

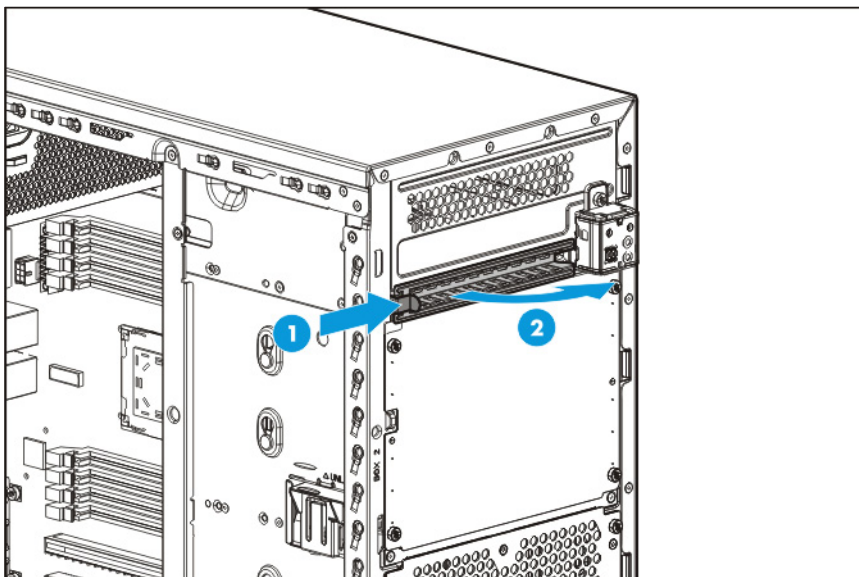
Optical drive option

To install the component:

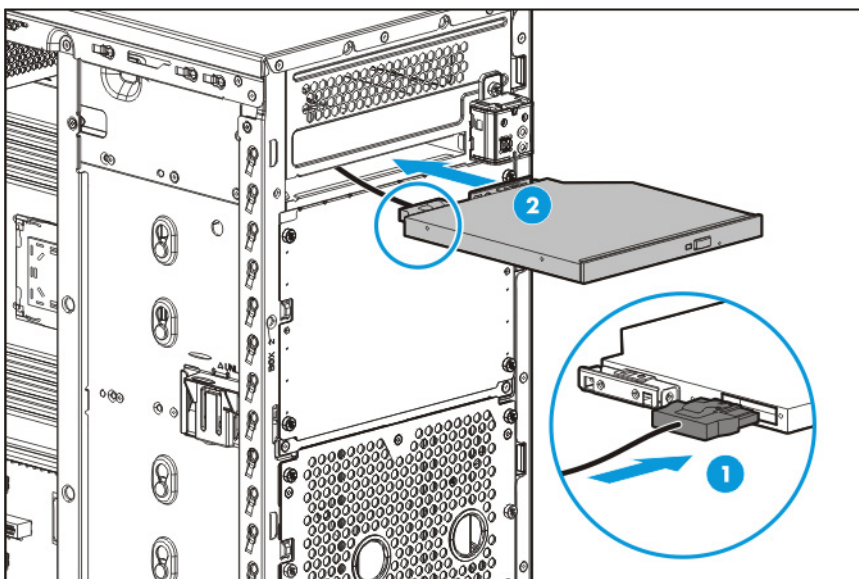
1. Power down the server (on page 18).
2. Remove all power:
 - a. Disconnect each power cord from the power source.
 - b. Disconnect each power cord from the server.
3. Place the server on its side.
4. Remove the access panel (on page 18).
5. Remove the front bezel (on page 20).
6. If installed, remove the PCI air baffle (on page 22).
7. Remove the system air baffle (on page 23).
8. Remove the optical drive cover.



9. Remove the EMI shield from the front panel

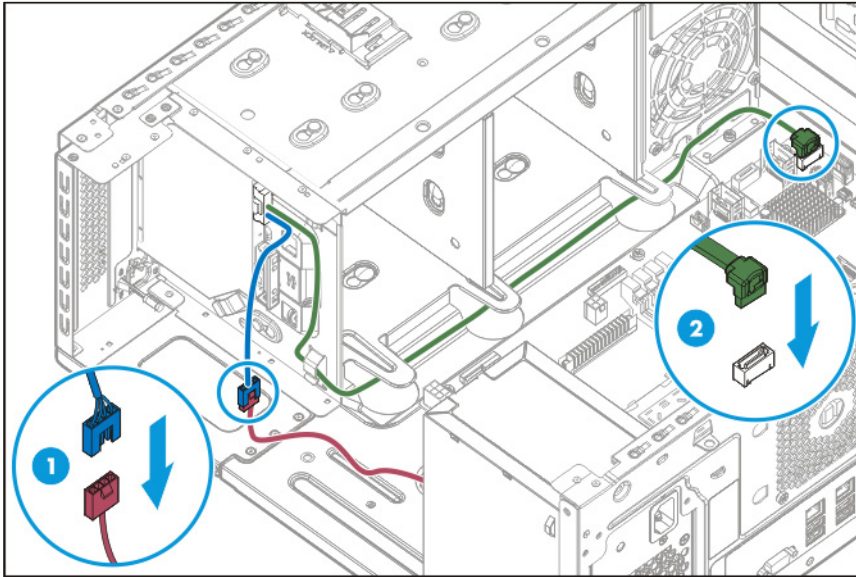


10. Connect the cable to the rear of the drive and then route the cable through the drive bay.



11. Connect the power cable.

12. Route the SATA cable underneath the metal tabs, and connect the opposite end of the cable to the connector on the system board.



13. Install the system air baffle (on page 24).
14. If removed, install the PCI air baffle ("Install the PCI air baffle" on page 22).
15. Install the front bezel (on page 21).
16. Install the access panel (on page 19).
17. Return the server to an upright position.
18. Connect each power cord to the server.
19. Connect each power cord to the power source.
20. Power up the server (on page 18).

PCI fan and baffle option

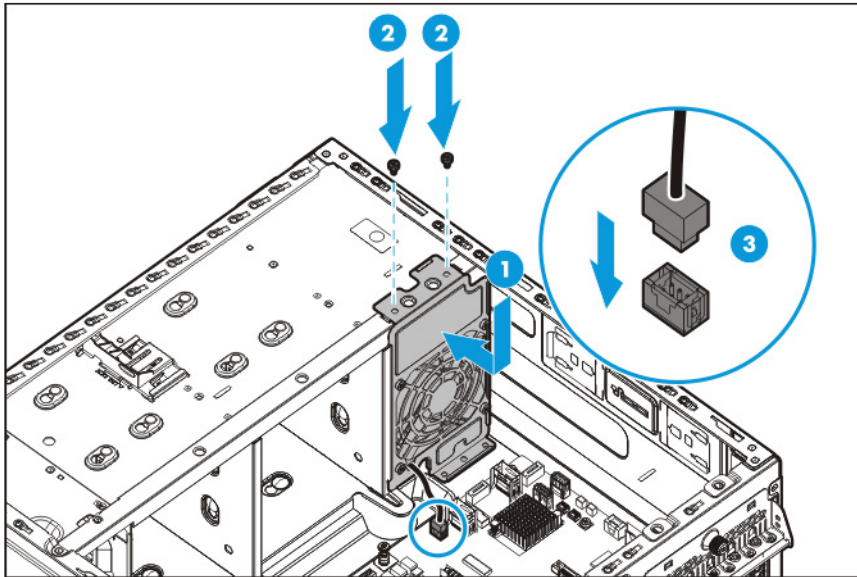
CAUTION: For proper cooling do not operate the server without the access panel, baffles, expansion slot covers, or blanks installed.

If you intend to install a storage controller, GPU card or any expansion boards in the PCIe slot area except the dedicated iLO module, a PCI fan and baffle option is required to provide proper cooling of the PCIe slot area.

To install the component:

1. Power down the server (on page 18).
2. Remove all power:
 - a. Disconnect each power cord from the power source.
 - b. Disconnect each power cord from the server.
3. Place the server on its side.
4. Remove the access panel (on page 18).
5. Remove the system air baffle (on page 23).

6. Install the PCI fan and connect the fan power cable.



7. Install the system air baffle (on page 24).
8. Install the PCI air baffle (on page 22).
9. Install the access panel (on page 19).
10. Return the server to an upright position.
11. Connect each power cord to the server.
12. Connect each power cord to the power source.
13. Power up the server (on page 18).

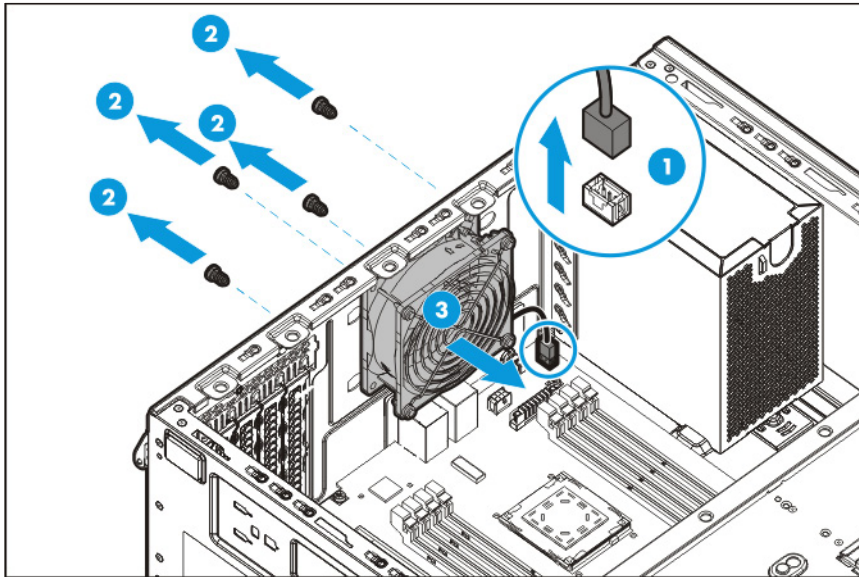
System fan upgrade option

For more information about product features, specifications, options, configurations, and compatibility, see the product QuickSpecs on the HP website (<http://www.hp.com/go/qs>).

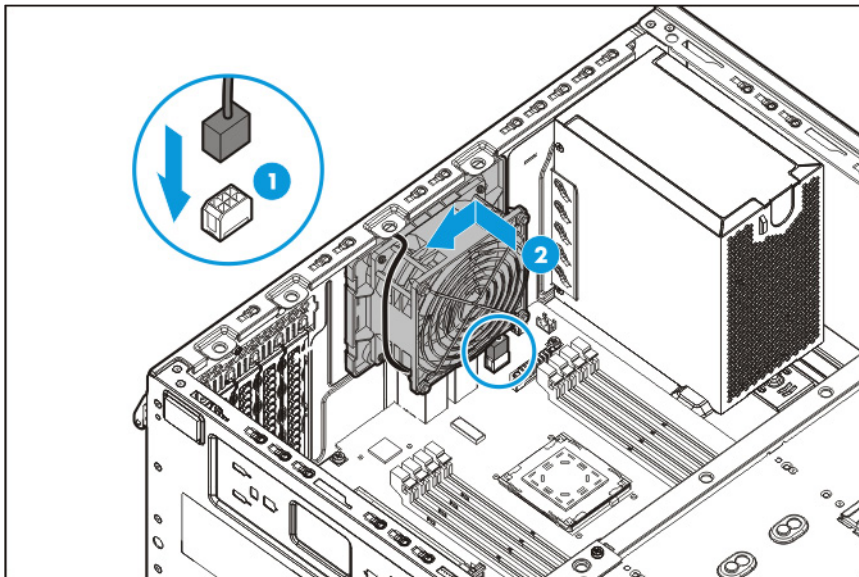
To install the component:

1. Power down the server (on page 18).
2. Remove all power:
 - a. Disconnect each power cord from the power source.
 - b. Disconnect each power cord from the server.
3. Place the server on its side.
4. Remove the access panel (on page 18).
5. If installed, remove the PCI air baffle (on page 22).
6. Remove the system air baffle (on page 23).

7. Remove the installed default system fan.



8. Install the 92×38 mm system fan.

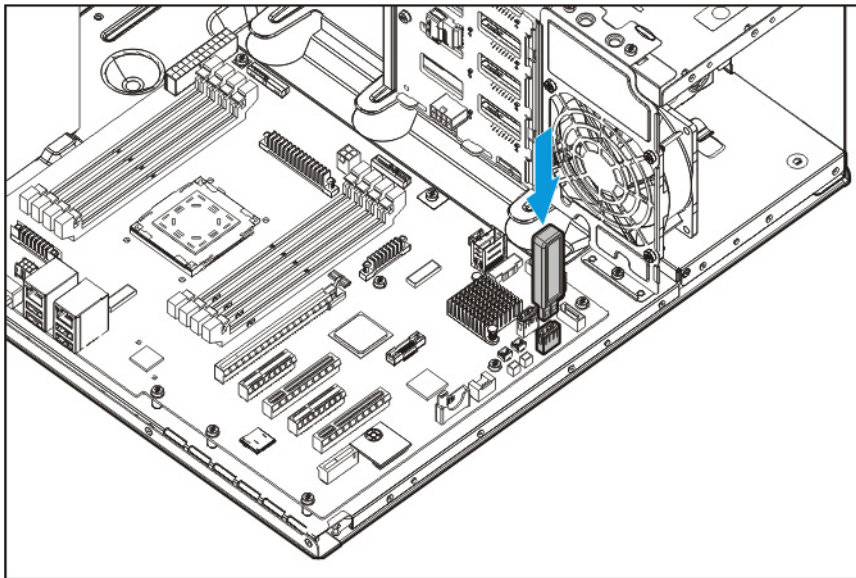


9. Install the system air baffle (on page 24).
10. If removed, install the PCI air baffle ("Install the PCI air baffle" on page 22).
11. Install the access panel (on page 19).
12. Return the server to an upright position.
13. Connect each power cord to the server.
14. Connect each power cord to the power source.
15. Power up the server (on page 18).

HP dual microSD to USB adapter option

To install the component:

1. Power down the server (on page 18).
2. Remove all power:
 - a. Disconnect each power cord from the power source.
 - b. Disconnect each power cord from the server.
3. Place the server on its side.
4. Remove the access panel (on page 18).
5. If installed, remove the PCI air baffle (on page 22).
6. Remove the system air baffle (on page 23).
7. If installed, remove the HP Smart Storage Battery.
8. Install the device adapter on the system board.



9. Install the HP Smart Storage Battery on the server.
10. Install the system air baffle (on page 24).
11. If removed, install the PCI air baffle ("Install the PCI air baffle" on page 22).
12. Install the access panel (on page 19).
13. Return the server to an upright position.
14. Connect each power cord to the server.
15. Connect each power cord to the power source.
16. Power up the server (on page 18).

Memory options



IMPORTANT: This server does not support mixing LRDIMMs or RDIMMs. Attempting to mix any combination of these DIMMs can cause the server to halt during BIOS initialization.

The memory subsystem in this server can support LRDIMMs and RDIMMs:

- RDIMMs offer address parity protection.
- LRDIMMs support higher densities than single- and dual-rank RDIMMs, and higher speeds than quad-rank RDIMMs. This support enables you to install more high capacity DIMMs, resulting in higher system capacities and higher bandwidth.

All types are referred to as DIMMs when the information applies to all types. When specified as LRDIMM or RDIMM, the information applies to that type only. All memory installed in the server must be the same type.

The server supports the following RDIMM and LRDIMM speeds:

- Single- and dual-rank PC4-2133 (DDR4-2133) RDIMMs and LRDIMMs operating at up to 2133 MT/s

Speed and capacity

DIMM type	DIMM rank	DIMM capacity	Native speed (MT/s)
RDIMM	Single-rank	4 GB	2133
RDIMM	Single-rank	8 GB	2133
RDIMM	Dual-rank	8 GB	2133
RDIMM	Dual-rank	16 GB	2133
LRDIMM	Dual-rank	16 GB	2133
RDIMM	Dual-rank	32 GB	2133

Populated DIMM speed (MT/s)

DIMM type	DIMM rank	1 DIMM per channel	2 DIMMs per channel
RDIMM	Single-rank	2133	2133
RDIMM	Dual-rank	2133	2133

For more information about product features, specifications, options, configurations, and compatibility, see the product QuickSpecs on the HP website (<http://www.hp.com/go/qs>).

HP SmartMemory

HP SmartMemory authenticates and unlocks certain features available only on HP Qualified memory and verifies whether installed memory has passed HP qualification and test processes. Qualified memory is performance-tuned for HP ProLiant and BladeSystem servers and provides future enhanced support through HP Active Health and manageability software.

Memory subsystem architecture

The memory subsystem in this server is divided into channels. The processor supports four channels, and each channel supports two DIMM slots, as shown in the following table:

Channel	Population order	Slot number
1	A	8
	E	7
2	B	6
	F	5
3	C	1
	G	2

Channel	Population order	Slot number
4	D	3
	H	4

For the location of the slot numbers, see "DIMM slot locations (on page 13)."

This multi-channel architecture provides enhanced performance in Advanced ECC mode. This architecture also enables Online Spare Memory mode.

DIMM slots in this server are identified by number and by letter. Letters identify the population order. Slot numbers indicate the DIMM slot ID for spare replacement.

Single-, dual-, and quad-rank DIMMs

To understand and configure memory protection modes properly, an understanding of single-, dual-, and quad-rank DIMMs is helpful. Some DIMM configuration requirements are based on these classifications.

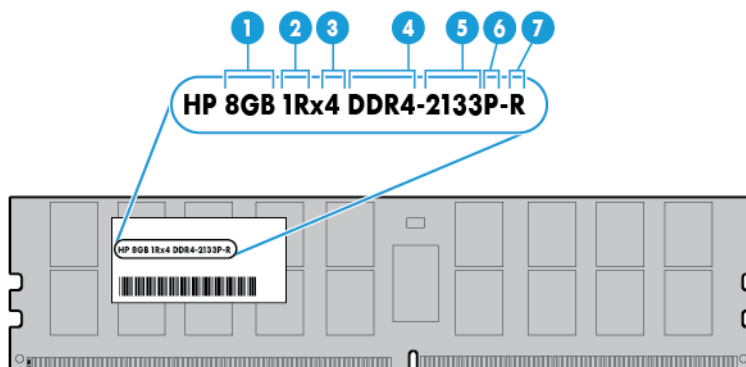
A single-rank DIMM has one set of memory chips that is accessed while writing to or reading from the memory. A dual-rank DIMM is similar to having two single-rank DIMMs on the same module, with only one rank accessible at a time. A quad-rank DIMM is, effectively, two dual-rank DIMMs on the same module. Only one rank is accessible at a time. The server memory control subsystem selects the proper rank within the DIMM when writing to or reading from the DIMM.

Dual- and quad-rank DIMMs provide the greatest capacity with the existing memory technology. For example, if current DRAM technology supports 8-GB single-rank DIMMs, a dual-rank DIMM would be 16 GB, and a quad-rank DIMM would be 32 GB.

LRDIMMs are labeled as quad-rank DIMMs. There are four ranks of DRAM on the DIMM, but the LRDIMM buffer creates an abstraction that allows the DIMM to appear as a dual-rank DIMM to the system. The LRDIMM buffer isolates the electrical loading of the DRAM from the system to allow for faster operation. This allows higher memory operating speed compared to quad-rank RDIMMs.

DIMM identification

To determine DIMM characteristics, use the label attached to the DIMM and the following illustration and table.



	Description	Definition
1	Capacity	4 GB 8 GB 16 GB 32 GB
2	Rank	1R = Single-rank 2R = Dual-rank 4R = Quad-rank
3	Data width	x4 = 4-bit x8 = 8-bit
4	Memory generation	DDR4
5	Maximum memory speed	2133 MT/s
6	CAS latency	P=15
7	DIMM type	R = RDIMM (registered) L = LRDIMM (load reduced)

For more information about product features, specifications, options, configurations, and compatibility, see the product QuickSpecs on the HP website (<http://www.hp.com/go/qs>).

Memory configurations

To optimize server availability, the server supports the following AMP modes:

- Advanced ECC—Provides up to 4-bit error correction and enhanced performance over Lockstep mode. This mode is the default option for this server.
- Online spare memory—Provides protection against failing or degraded DIMMs. Certain memory is reserved as spare, and automatic failover to spare memory occurs when the system detects a DIMM that is degrading. This allows DIMMs that have a higher probability of receiving an uncorrectable memory error (which would result in system downtime) to be removed from operation.

Advanced Memory Protection options are configured in the BIOS/Platform Configuration (RBSU). If the requested AMP mode is not supported by the installed DIMM configuration, the server boots in Advanced ECC mode. For more information, see the *HP UEFI System Utilities User Guide for HP ProLiant Gen9 Servers* on the HP website (<http://www.hp.com/go/ProLiantUEFI/docs>).

Maximum capacity

DIMM type	DIMM rank	One processor
RDIMM	Single-rank (4 GB)	32 GB
RDIMM	Single-rank (8 GB)	64GB
RDIMM	Dual-rank (8 GB)	64 GB
RDIMM	Dual-rank (16 GB)	128 GB
LRDIMM	Dual-rank (16 GB)	128 GB
RDIMM	Dual-rank (32 GB)	256 GB

For the latest memory configuration information, see the QuickSpecs on the HP website (<http://www.hp.com/go/qs>).

Advanced ECC memory configuration

Advanced ECC memory is the default memory protection mode for this server. Standard ECC can correct single-bit memory errors and detect multi-bit memory errors. When multi-bit errors are detected using Standard ECC, the error is signaled to the server and causes the server to halt.

Advanced ECC protects the server against some multi-bit memory errors. Advanced ECC can correct both single-bit memory errors and 4-bit memory errors if all failed bits are on the same DRAM device on the DIMM.

Advanced ECC provides additional protection over Standard ECC because it is possible to correct certain memory errors that would otherwise be uncorrected and result in a server failure. Using HP Advanced Memory Error Detection technology, the server provides notification when a DIMM is degrading and has a higher probability of uncorrectable memory error.

Online Spare memory configuration

Online spare memory provides protection against degraded DIMMs by reducing the likelihood of uncorrected memory errors. This protection is available without any operating system support.

Online spare memory protection dedicates one rank of each memory channel for use as spare memory. The remaining ranks are available for OS and application use. If correctable memory errors occur at a rate higher than a specific threshold on any of the non-spare ranks, the server automatically copies the memory contents of the degraded rank to the online spare rank. The server then deactivates the failing rank and automatically switches over to the online spare rank.

General DIMM slot population guidelines

Observe the following guidelines for all AMP modes:

- Install DIMMs only if the corresponding processor is installed.
- White DIMM slots denote the first slot of a channel (Ch 1-A, Ch 2-B, Ch 3-C, Ch 4-D)
- Do not mix RDIMMs and LRDIMMs.
- When a processor is installed, install DIMMs in sequential alphabetic order: A, B, C, D, E, F, and so forth.
- When single-rank, dual-rank, and quad-rank DIMMs are populated for two DIMMs per channel or three DIMMs per channel, always populate the higher number rank DIMM first (starting from the farthest slot). For example, first quad-rank DIMM, then dual-rank DIMM, and then lastly single-rank DIMM.
- DIMMs should be populated starting farthest from the processor on each channel.
- For DIMM spare replacement, install the DIMMs per slot number as instructed by the system software.

For more information about server memory, see the HP website (<http://www.hp.com/go/memory>).

DIMM speeds are supported as indicated in the following table.

Populated slots (per channel)	Rank	Speeds supported (MT/s)
1	Single-, dual-, or quad-rank	2133
2	Single- or dual-rank	2133

Advanced ECC population guidelines

For Advanced ECC mode configurations, observe the following guidelines:

- Observe the general DIMM slot population guidelines.
- DIMMs may be installed individually.

Online spare population guidelines

For Online Spare memory mode configurations, observe the following guidelines:

- Observe the general DIMM slot population guidelines.
- Each channel must have a valid online spare configuration.
- Each channel can have a different valid online spare configuration.
- Each populated channel must have a spare rank. A single dual-rank DIMM is not a valid configuration.

Population order

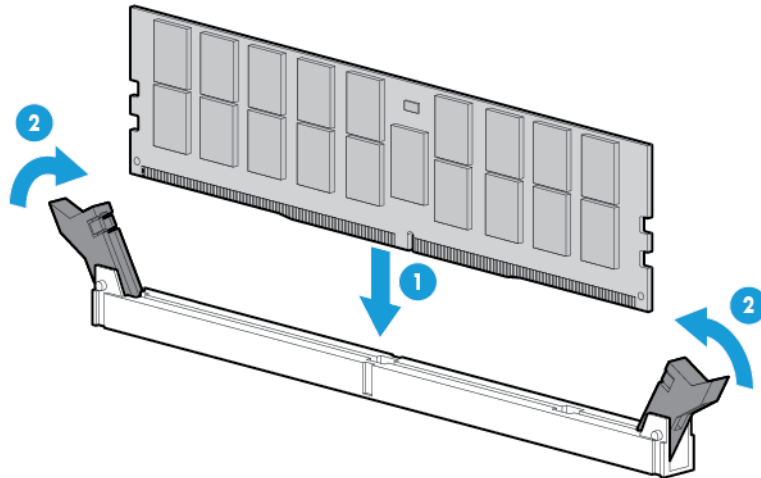
For memory configurations with a single processor or multiple processors, DIMMs must be populated sequentially in alphabetical order (A through H).

After installing the DIMMs, use the BIOS/Platform Configuration (RBSU) in the UEFI System Utilities to configure supported AMP modes.

Installing a DIMM

1. Power down the server (on page 18).
2. Remove all power:
 - a. Disconnect each power cord from the power source.
 - b. Disconnect each power cord from the server.
3. Place the server on its side.
4. Remove the access panel (on page 18).
5. If installed, remove the PCI air baffle (on page 22).
6. Remove the system air baffle (on page 23).
7. Open the DIMM slot latches.

8. Install the DIMM.



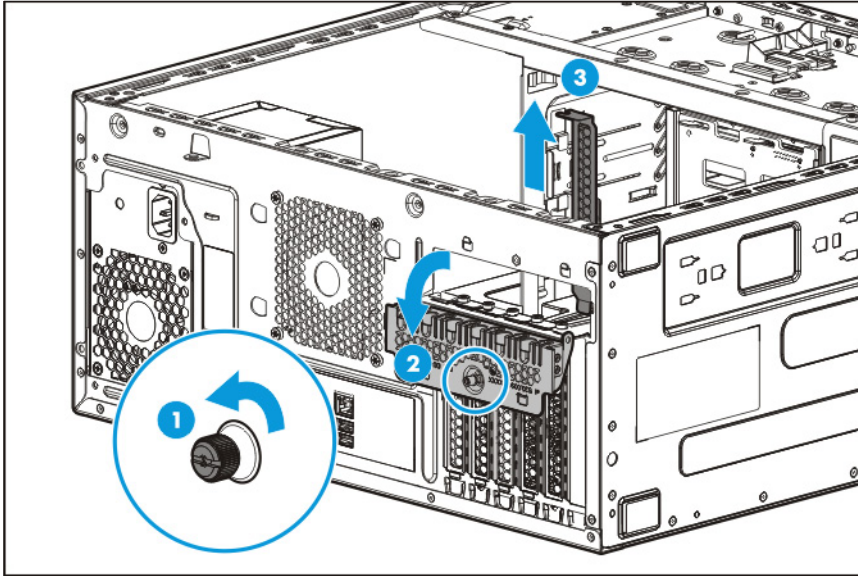
9. Install the system air baffle (on page 24).
10. If removed, install the PCI air baffle ("Install the PCI air baffle" on page 22).
11. Install the access panel (on page 19).
12. Return the server to an upright position.
13. Connect each power cord to the server.
14. Connect each power cord to the power source.
15. Power up the server (on page 18).

Dedicated iLO management module option

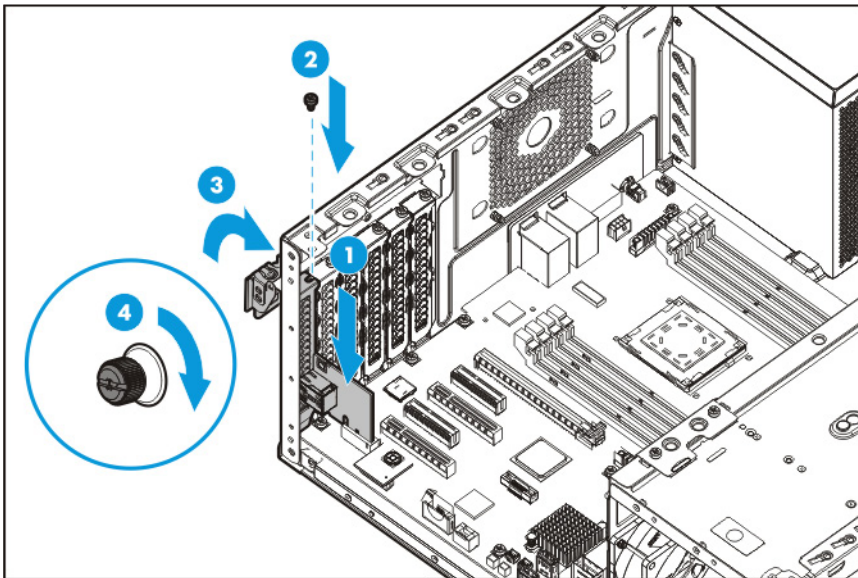
To install the component:

1. Power down the server (on page 18).
2. Remove all power:
 - a. Disconnect each power cord from the power source.
 - b. Disconnect each power cord from the server.
3. Place the server on its side.
4. Remove the access panel (on page 18).
5. If installed, remove the PCI air baffle (on page 22).
6. Remove the system air baffle (on page 23).

7. Open the slot cover retainer and remove the PCIe blank.



8. Install the dedicated iLO management port module and close the slot cover.



9. Install the system air baffle (on page 24).
10. If removed, install the PCI air baffle ("Install the PCI air baffle" on page 22).
11. Install the access panel (on page 19).
12. Return the server to an upright position.
13. Connect each power cord to the server.
14. Connect each power cord to the power source.
15. Power up the server (on page 18).

Enabling the dedicated iLO management module

To enable the dedicated iLO management module:

1. During the server startup sequence after installing the module, press **F9** in the POST screen.
The System Utilities screen appears.
2. Select **System Configuration | iLO 4 Configuration Utility**.
The iLO 4 Configuration Utility screen appears.
3. Select **Network Options**, and then press **Enter**.
The Network Options screen appears.
4. Set the **Network Interface Adapter** field to **ON**, and then press **Enter**.
5. Press **F10** to save your changes.
A message prompt to confirm the iLO settings reset appears.
6. Press **Enter** to reboot the iLO settings.
7. Press **Esc** until the main menu is displayed.
8. Select **Reboot the System** to exit the utility and resume the boot process.
The IP address of the enabled dedicated iLO connector appears on the POST screen on the subsequent boot-up. Access the Network Options screen again to view this IP address for later reference.

HP ATX 550-W power supply option

This section provides instructions for installing a HP ATX 550-W power supply option in HP ProLiant ML110 Gen9 Server.



WARNING: To reduce the risk of personal injury from hot surfaces, allow the drives and the internal system components to cool before touching them.



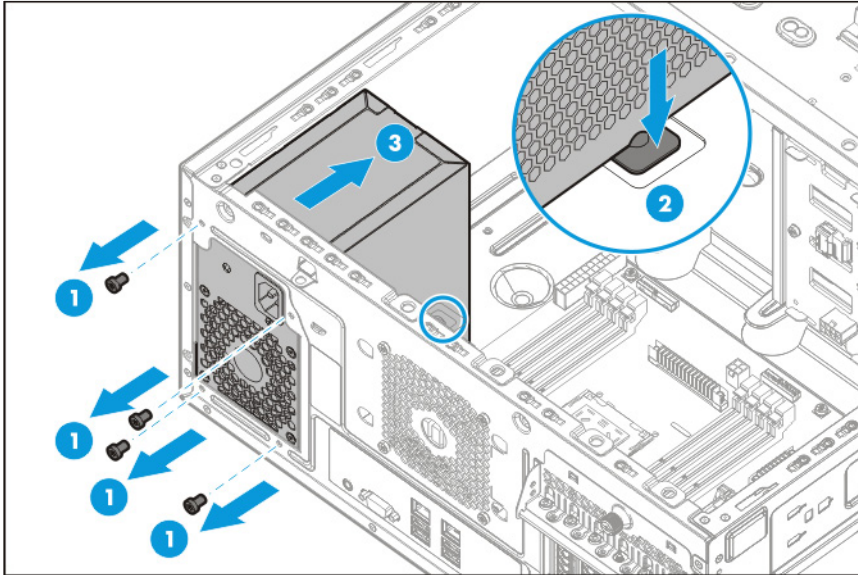
CAUTION: To prevent damage to electrical components, take the appropriate anti-static precautions before beginning any installation, removal, or replacement procedure. Improper grounding can cause electrostatic discharge.

For more information about product features, specifications, options, configurations, and compatibility, see the product QuickSpecs on the HP website (<http://www.hp.com/go/qs>).

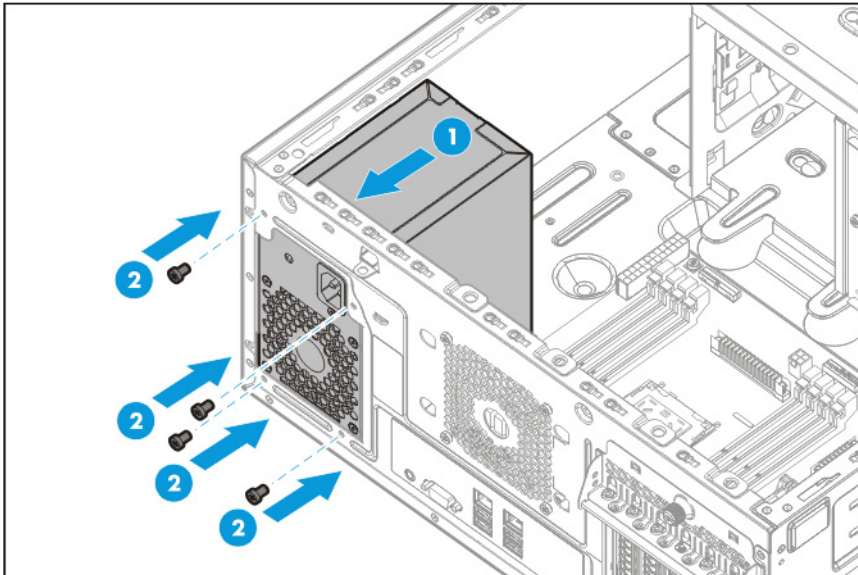
To install the component:

1. Power down the server (on page 18).
2. Remove all power:
 - a. Disconnect each power cord from the power source.
 - b. Disconnect each power cord from the server.
3. Place the server on a sturdy, level surface.
4. Remove the access panel (on page 18).
5. If installed, remove the PCI air baffle (on page 22).
6. Remove the system air baffle (on page 23).
7. Disconnect all power supply cables from the system board, drive cages, and devices.

8. Remove the existing power supply.



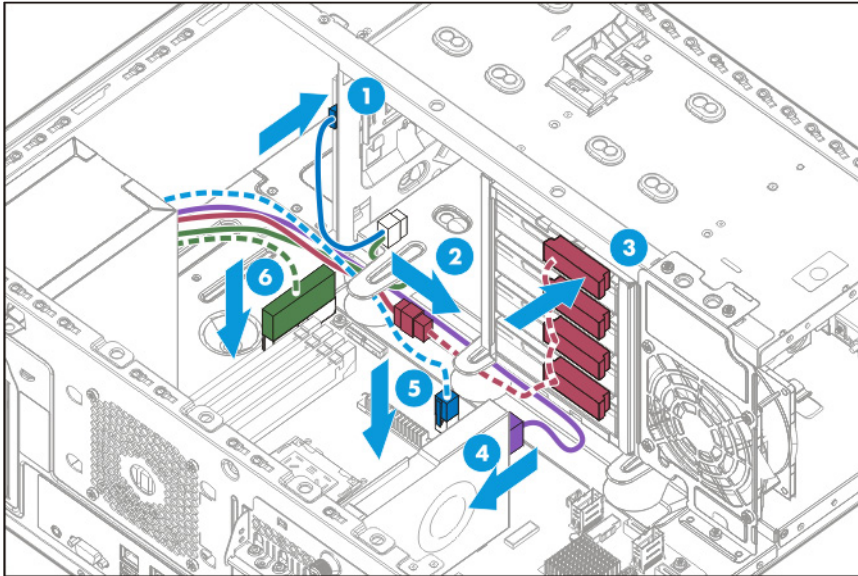
9. Install the ATX 550-W power supply.



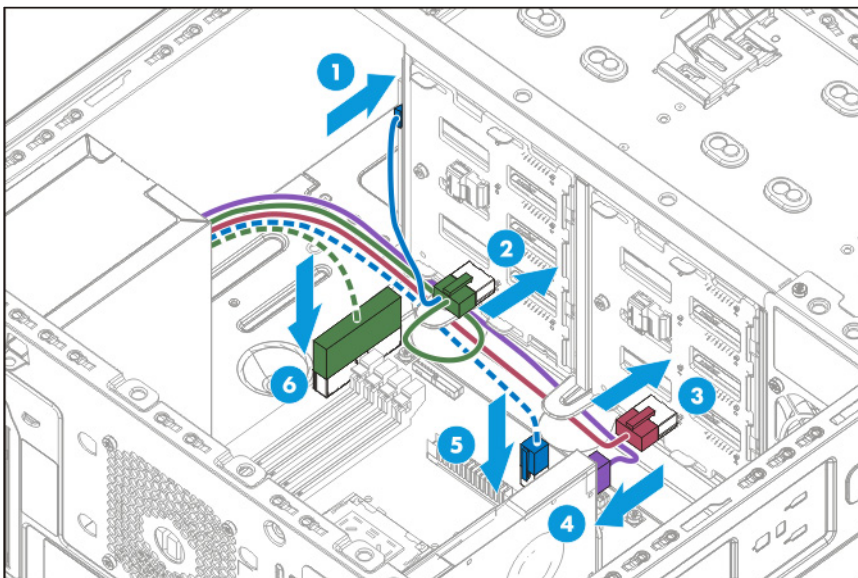
10. Connect the 550-W ATX power cables and then route the cables underneath the metal tabs:

- 4 LFF non-hot-plug configuration
 - Optical drive power cable to optical drive
 - 8-pin drive power cable to the non-hot-plug drive power connector
 - 6-pin power cable connecting to GPU, if installed
 - 4-pin power cable connecting to system board

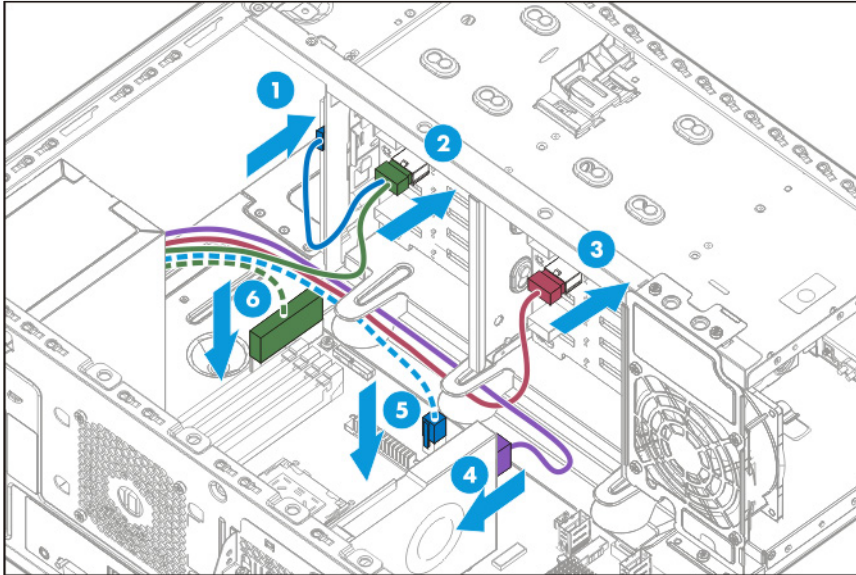
- 24-pin power cable connecting to system board



- 4 LFF and 8 SFF hot-plug configuration
 - Optical drive power cable to optical drive
 - 8-pin drive power cable to the hot-plug drive backplanes
 - 6-pin power cable connecting to GPU, if installed
 - 4-pin power cable connecting to system board
 - 24-pin power cable connecting to system board
- 4 LFF hot-plug configuration



8 SFF hot-plug configuration



CAUTION: To prevent improper cooling and thermal damage, do not operate the server unless all bays are populated with either a component or a blank.

11. Install the system air baffle (on page 24).
12. If removed, install the PCI air baffle ("Install the PCI air baffle" on page 22).
13. Install the access panel (on page 19).
14. Connect the power cords to the power supplies.
15. Connect the power cords to the AC power source.
16. Employ best practices to route and manage the power cords and other cables in the server rear panel.
17. Power up the server (on page 18).

Redundant power supply option

Install the RPS enablement option to improve power efficiency and enable power redundancy. Power efficiency requires the installation of one power input module and power redundancy requires the installation of two power input modules. This module is a separately purchased option and is not part of the RPS enablement option kit.

When this RPS backplane enablement option and a single power input module are installed in the server, you can install or remove a second power input module without powering down the server.

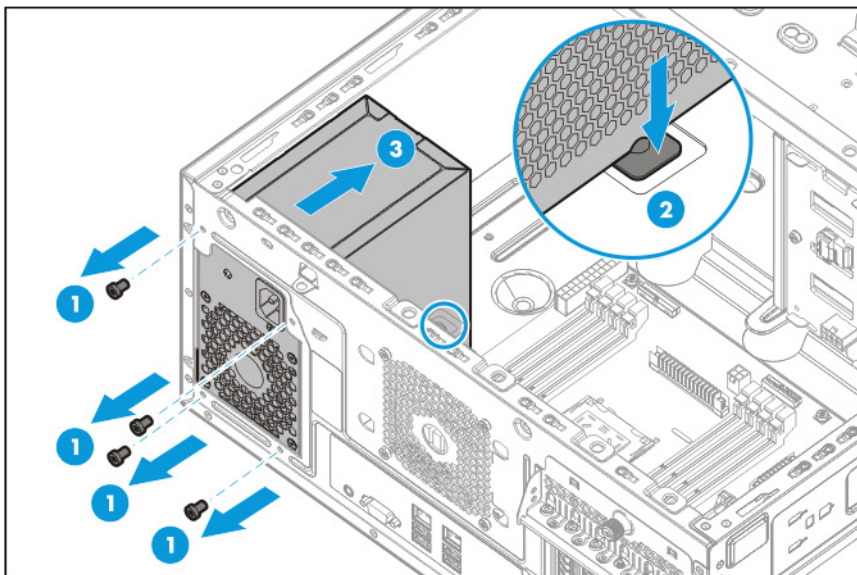
- WARNING:** To reduce the risk of electric shock or damage to the equipment:
- Do not disable the power cord grounding plug. The grounding plug is an important safety feature.
 - Plug the power cord into a grounded (earthed) electrical outlet that is easily accessible at all times.
 - Unplug the power cord from the power supply to disconnect power to the equipment.
 - Do not route the power cord where it can be walked on or pinched by items placed against it. Pay particular attention to the plug, electrical outlet, and the point where the cord extends from the equipment.

-
- ⚠ WARNING:** To reduce the risk of injury from electric shock hazards, do not open power supplies. Refer all maintenance, upgrades, and servicing to qualified personnel.
-
- ⚠ WARNING:** To reduce the risk of personal injury from hot surfaces, allow the drives and the internal system components to cool before touching them.
-
- ⚠ CAUTION:** To prevent damage to electrical components, properly ground the server before beginning any installation procedure. Improper grounding can cause ESD.
-
- ⚠ CAUTION:** To prevent improper cooling and thermal damage, do not operate the server unless all bays are populated with either a component or a blank.
-

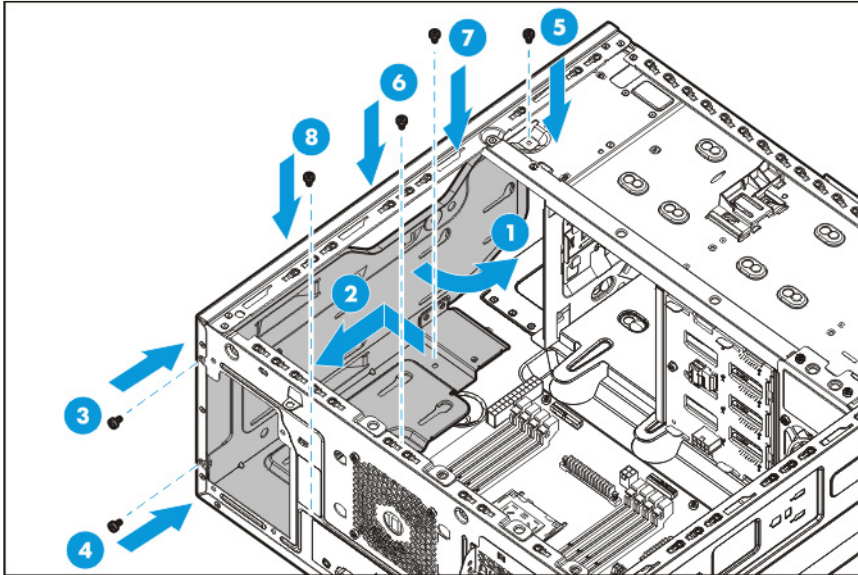
For more information about product features, specifications, options, configurations, and compatibility, see the product QuickSpecs on the HP website (<http://www.hp.com/go/qs>).

To install the component:

1. Power down the server (on page 18).
2. Remove all power:
 - a. Disconnect each power cord from the power source.
 - b. Disconnect each power cord from the server.
3. Place the server on a sturdy, level surface.
4. Remove the access panel (on page 18).
5. If installed, remove the PCI air baffle (on page 22).
6. Remove the system air baffle (on page 23).
7. Disconnect all power supply cables from the system board, drive cages, and devices.
8. Remove the existing power supply.

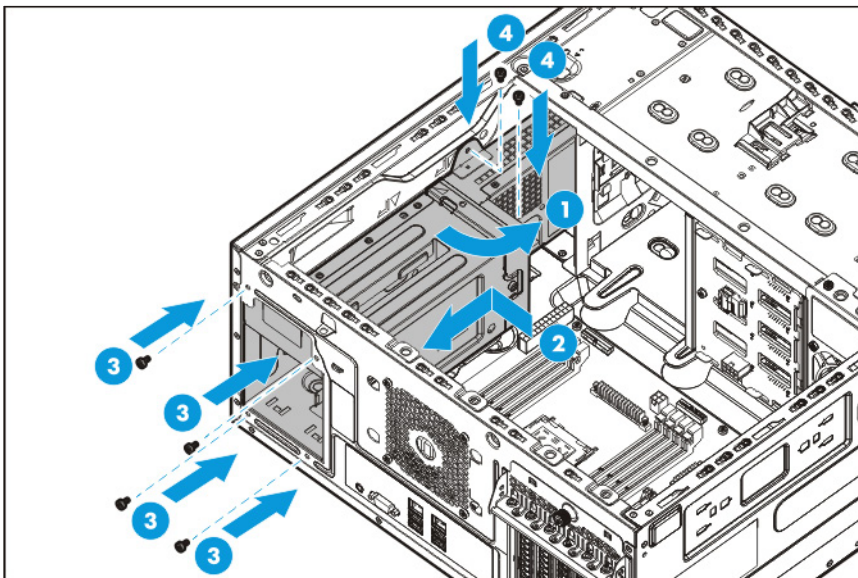


9. Insert and install the RPS bracket into the bay.



CAUTION: To prevent damage to other components in the server, insert the RPS enablement option into the bay carefully.

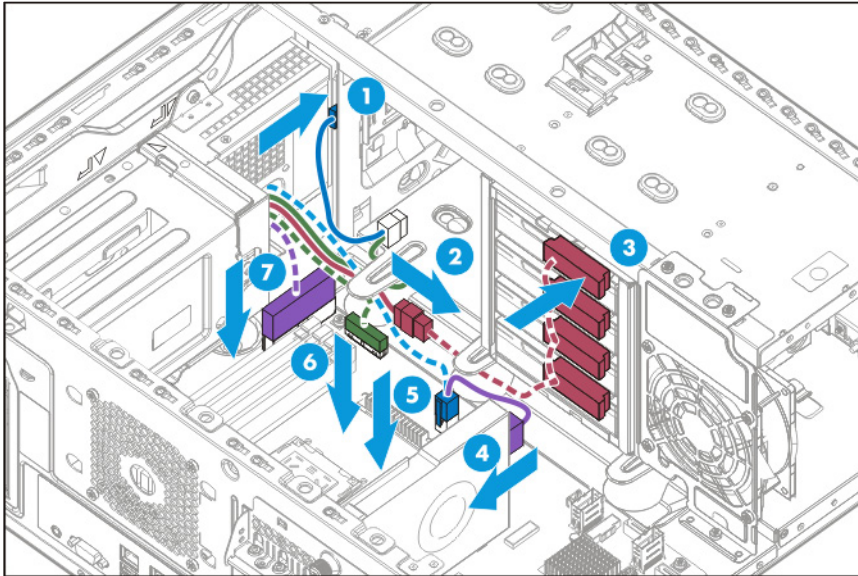
10. Grab the power supply cables from the RPS backplane assembly and then insert the backplane into the bay carefully.



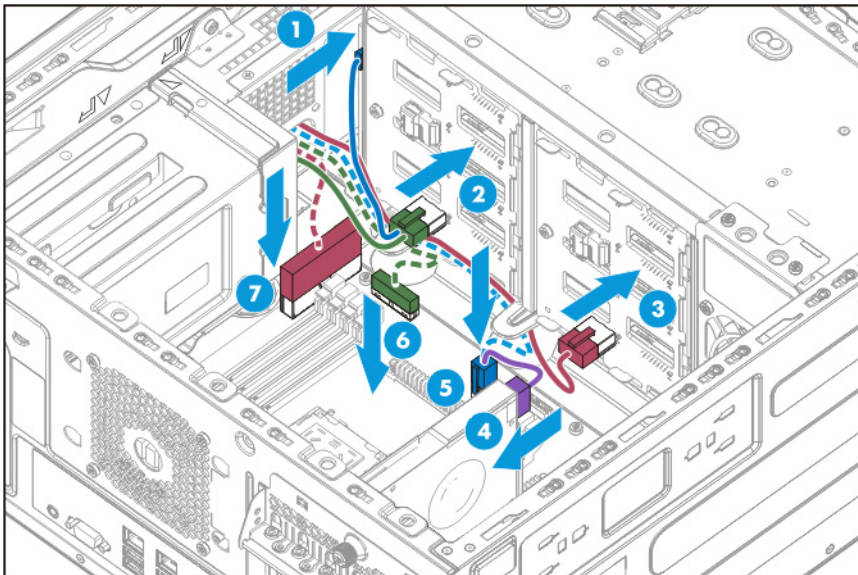
11. Connect the RPS backplane cables and then route the cables underneath the metal tabs:

- 4 LFF non-hot-plug configuration
 - Optical drive power cable to optical drive
 - 8-pin drive power cable to the non-hot-plug drive power connector
 - 4-pin power cable to system board
 - 6-pin power cable to GPU, if installed
 - RPSU cable to system board

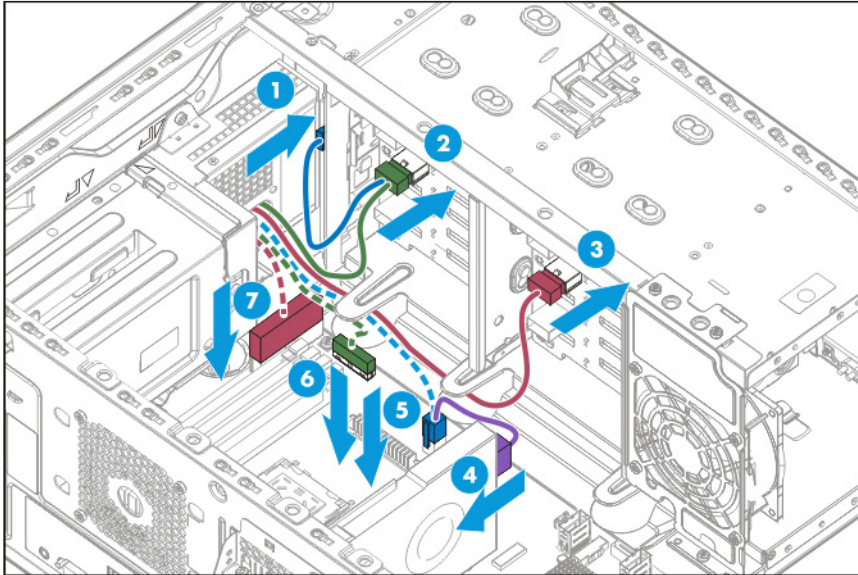
- 24-pin power cable to system board



- 4 LFF and 8 SFF hot-plug configuration
 - Optical drive power cable to optical drive
 - 8-pin drive power cable to the hot-plug drive backplanes
 - 4-pin power cable to system board
 - 6-pin power cable to GPU, if installed
 - RPSU cable to system board
 - 24-pin power cable to system board
- 4 LFF hot-plug configuration

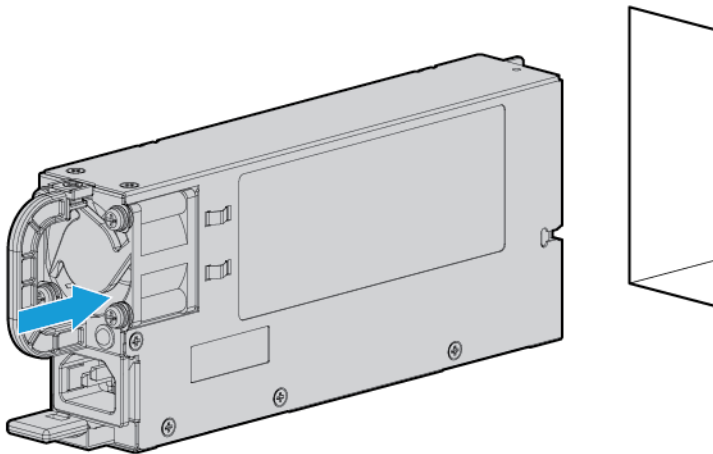


8 SFF hot-plug configuration



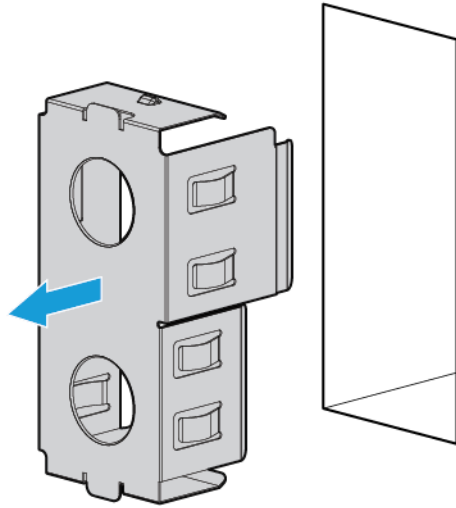
12. Install a hot-plug power input module in the power supply bay 1.

NOTE: When facing the rear of the server in an upright position, the upper level of power supply bay is bay 1 and the lower level is bay 2.

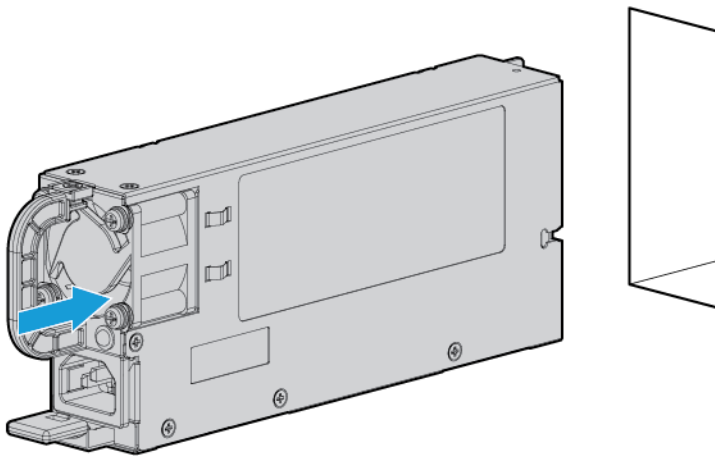


13. If you intend to enable power redundancy in the server, install a second power input module in the power supply bay 2:

- a. Remove the power supply blank from bay 2.



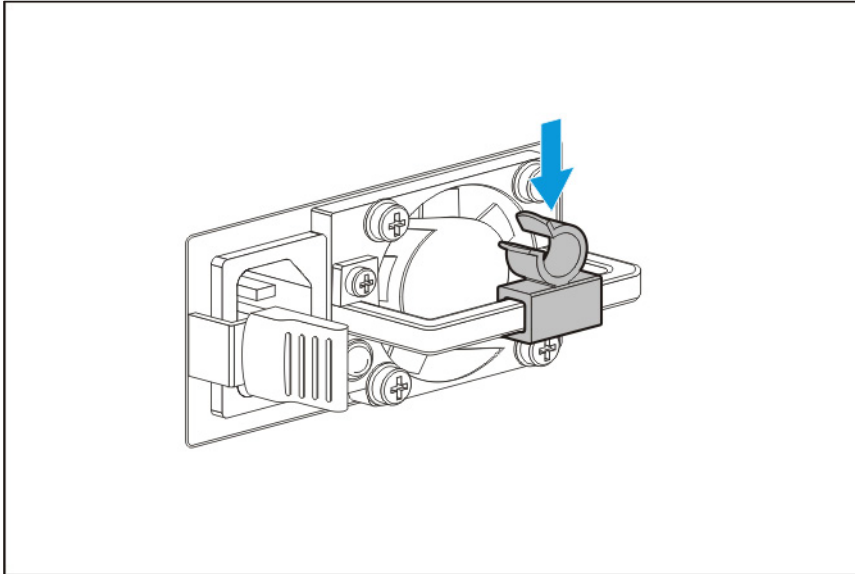
- b. Install a second hot-plug power input module in the power supply bay 2.



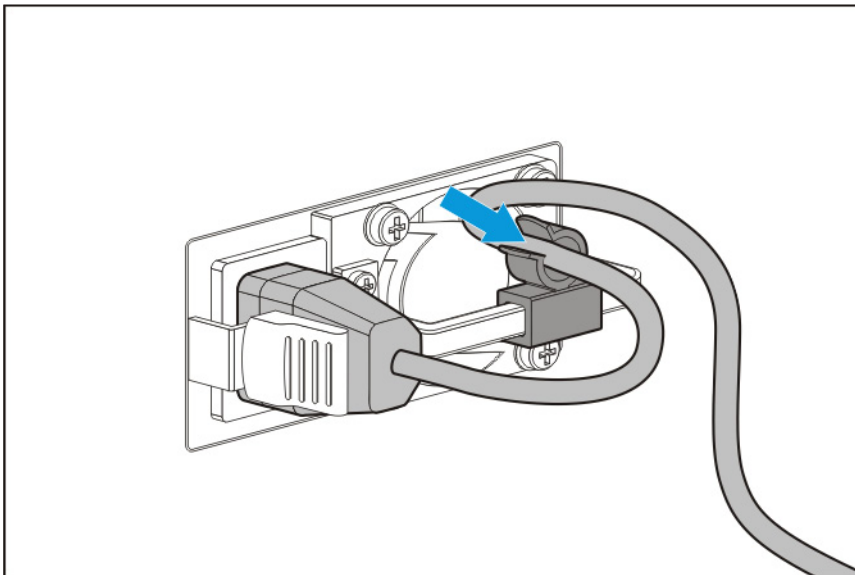
△ CAUTION: To prevent improper cooling and thermal damage, do not operate the server unless all bays are populated with either a component or a blank.

14. Install the system air baffle (on page 24).
15. If removed, install the PCI air baffle ("Install the PCI air baffle" on page 22).
16. Install the access panel (on page 19).
17. Connect the power cords to the power supplies.
18. Connect the power cords to the AC power source.

19. Install the strain relief clip.



20. Route and manage the power cords through strain relief clip.



21. Power up the server (on page 18).

HP Trusted Platform Module option


For more information about product features, specifications, options, configurations, and compatibility, see the product QuickSpecs on the HP website (<http://www.hp.com/go/qs>).

Use these instructions to install and enable a TPM on a supported server. This procedure includes three sections:

1. Installing the Trusted Platform Module board.
2. Retaining the recovery key/password (on page 83).
3. Enabling the Trusted Platform Module (on page 83).

Enabling the TPM requires accessing BIOS/Platform Configuration (RBSU) in HP UEFI System Utilities (on page 104).


TPM installation requires the use of drive encryption technology, such as the Microsoft Windows BitLocker Drive Encryption feature. For more information on BitLocker, see the Microsoft website (<http://www.microsoft.com>).

 **CAUTION:** Always observe the guidelines in this document. Failure to follow these guidelines can cause hardware damage or halt data access.


When installing or replacing a TPM, observe the following guidelines:

- Do not remove an installed TPM. Once installed, the TPM becomes a permanent part of the system board.
- When installing or replacing hardware, HP service providers cannot enable the TPM or the encryption technology. For security reasons, only the customer can enable these features.
- When returning a system board for service replacement, do not remove the TPM from the system board. When requested, HP Service provides a TPM with the spare system board.
- Any attempt to remove an installed TPM from the system board breaks or disfigures the TPM security rivet. Upon locating a broken or disfigured rivet on an installed TPM, administrators should consider the system compromised and take appropriate measures to ensure the integrity of the system data.
- When using BitLocker, always retain the recovery key/password. The recovery key/password is required to enter Recovery Mode after BitLocker detects a possible compromise of system integrity.
- HP is not liable for blocked data access caused by improper TPM use. For operating instructions, see the encryption technology feature documentation provided by the operating system.

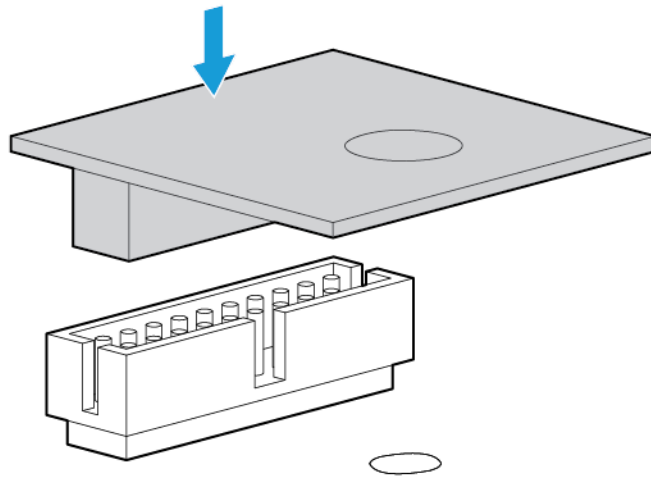
Installing the Trusted Platform Module board

 **WARNING:** To reduce the risk of personal injury from hot surfaces, allow the drives and the internal system components to cool before touching them.

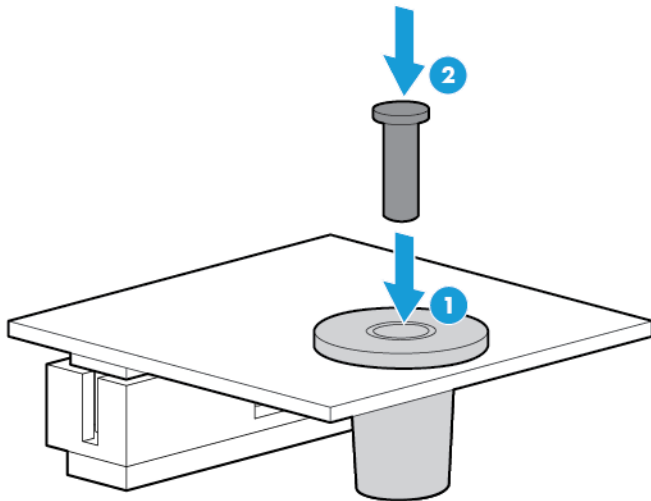
1. Power down the server (on page 18).
2. Remove all power:
 - a. Disconnect each power cord from the power source.
 - b. Disconnect each power cord from the server.
3. Place the server on its side.
4. Remove the access panel (on page 18).
5. If installed, remove the PCI air baffle (on page 22).
6. Remove the system air baffle (on page 23).
7. If installed, remove the controller from slot 5.

 **CAUTION:** Any attempt to remove an installed TPM from the system board breaks or disfigures the TPM security rivet. Upon locating a broken or disfigured rivet on an installed TPM, administrators should consider the system compromised and take appropriate measures to ensure the integrity of the system data.

8. Install the TPM board. Press down on the connector to seat the board ("[System board components](#)" on page [11](#)).



9. Install the TPM security rivet by pressing the rivet firmly into the system board.



10. Install the controller in slot 5.
11. Install the system air baffle (on page [24](#)).
12. If removed, install the PCI air baffle ("[Install the PCI air baffle](#)" on page [22](#)).
13. Install the access panel (on page [19](#)).
14. Return the server to an upright position.
15. Connect each power cord to the server.
16. Connect each power cord to the power source.
17. Power up the server (on page [18](#)).

Retaining the recovery key/password

The recovery key/password is generated during BitLocker setup, and can be saved and printed after BitLocker is enabled. When using BitLocker, always retain the recovery key/password. The recovery key/password is required to enter Recovery Mode after BitLocker detects a possible compromise of system integrity.

To help ensure maximum security, observe the following guidelines when retaining the recovery key/password:

- Always store the recovery key/password in multiple locations.
- Always store copies of the recovery key/password away from the server.
- Do not save the recovery key/password on the encrypted hard drive.

Enabling the Trusted Platform Module

1. During the server startup sequence, press the **F9** key to access System Utilities.
2. From the System Utilities screen, select **System Configuration > BIOS/Platform Configuration (RBSU) > Server Security**.
3. Select **Trusted Platform Module Options** and press the **Enter** key.
4. Select **Enabled** to enable the TPM and BIOS secure startup. The TPM is fully functional in this mode.
5. Press the **F10** key to save your selection.
6. When prompted to save the change in System Utilities, press the **Y** key.
7. Press the **ESC** key to exit System Utilities. Then, press the **Enter** key when prompted to reboot the server.

The server then reboots a second time without user input. During this reboot, the TPM setting becomes effective.

You can now enable TPM functionality in the OS, such as Microsoft Windows BitLocker or measured boot.



CAUTION: When a TPM is installed and enabled on the server, data access is locked if you fail to follow the proper procedures for updating the system or option firmware, replacing the system board, replacing a hard drive, or modifying OS application TPM settings.

For more information on firmware updates and hardware procedures, see the *HP Trusted Platform Module Best Practices White Paper* on the HP website (<http://www.hp.com/support>).

For more information on adjusting TPM usage in BitLocker, see the Microsoft website (<http://technet.microsoft.com/en-us/library/cc732774.aspx>).

Cabling

Cabling overview

This section provides guidelines that help you make informed decisions about cabling the server and hardware options to optimize performance.

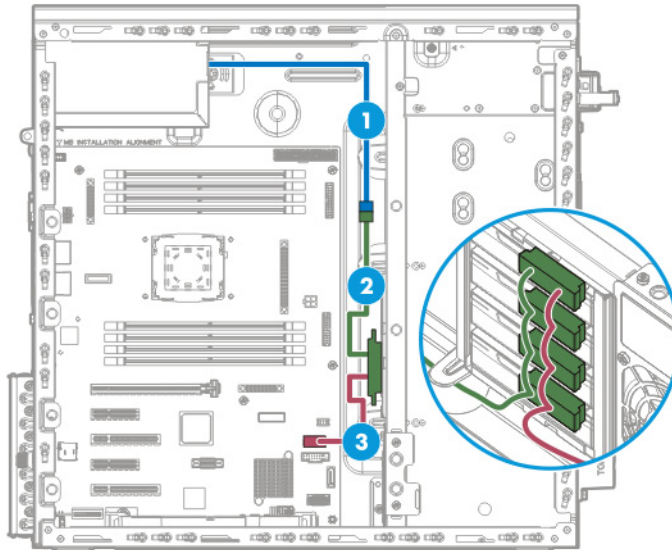
For information on cabling peripheral components, refer to the white paper on high-density deployment at the HP website (<http://www.hp.com/products/servers/platforms>).

CAUTION: When routing cables, always be sure that the cables are not in a position where they can be pinched or crimped.

Storage cabling

4-bay LFF non-hot-plug drive cabling

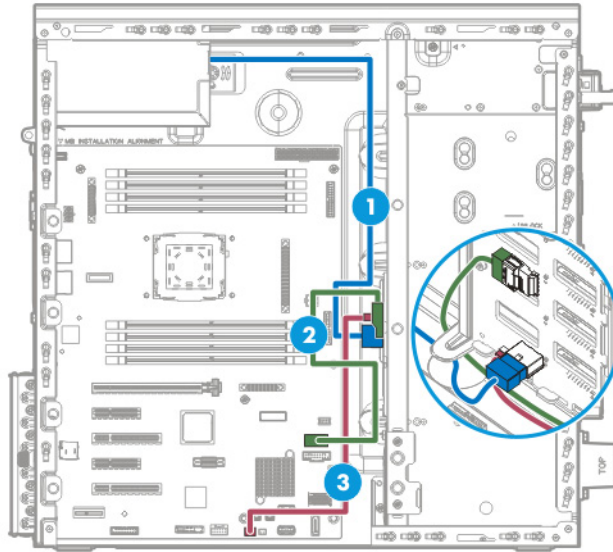
- Box 1



Item	Description
1	Power supply cable
2	Box 1 drive power cable
3	Mini-SAS cable

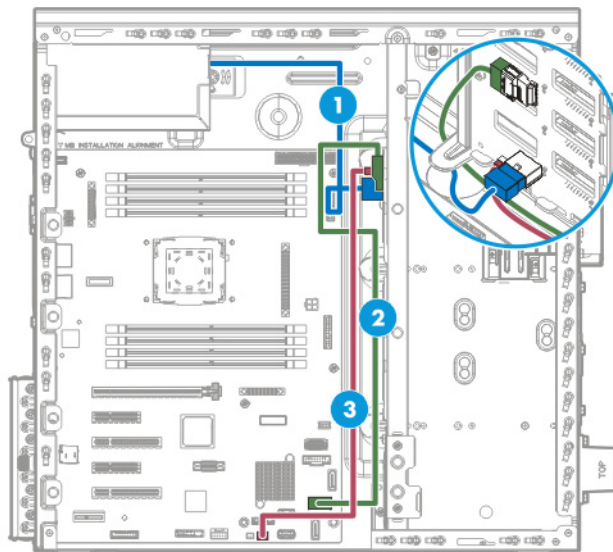
4-bay LFF hot-plug drive cabling

- Box 1 drive backplane connected to the system board



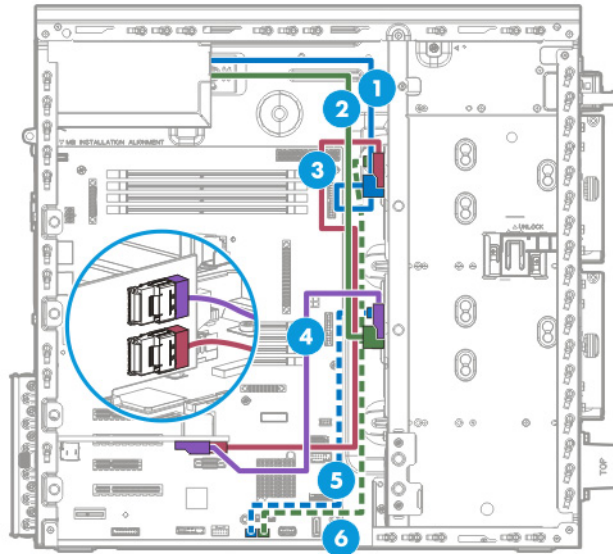
Item	Description
1	Drive power cable
2	Mini-SAS cable
3	Hard drive power good cable

- Box 2 drive backplane connected the system board



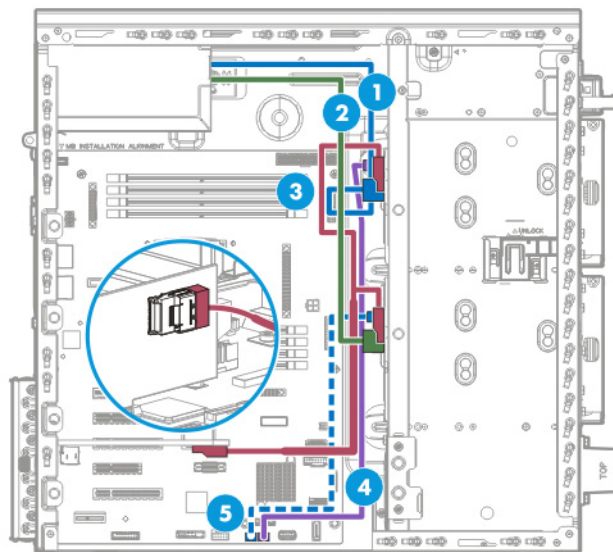
Item	Description
1	Drive power cable
2	Mini-SAS cable
3	Hard drive power good cable

- Box 1 and box 2 drive backplanes connected to a H240 adapter



Item	Description
1	Box 2 drive power cable
2	Box 1 drive power cable
3	Mini-SAS cable to port 2 of the controller
4	Mini-SAS cable to port 1 of the controller
5	Box 1 hard drive power good cable
6	Box 2 hard drive power good cable

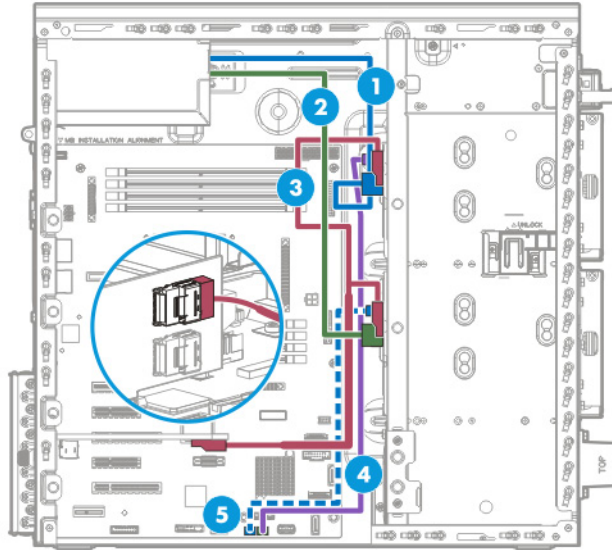
- Box 1 and box 2 drive backplanes connected to a P440 controller



Item	Description
1	Box 2 drive power cable
2	Box 1 drive power cable
3	Mini-SAS Y-cable to the controller

Item	Description
4	Box 2 hard drive power good cable
5	Box 1 hard drive power good cable

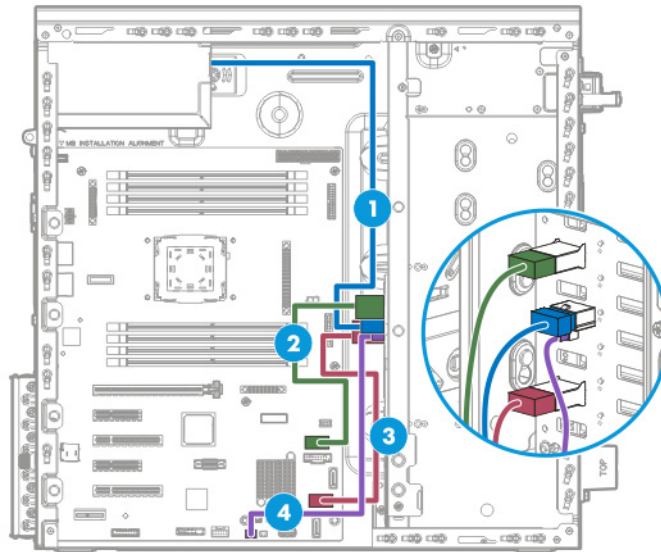
- Box 1 and box 2 drive backplane connected to a P840 controller



Item	Description
1	Box 2 drive power cable
2	Box 1 drive power cable
3	Mini-SAS Y-cable to port 1 of the controller
4	Box 2 hard drive power good cable
5	Box 1 hard drive power good cable

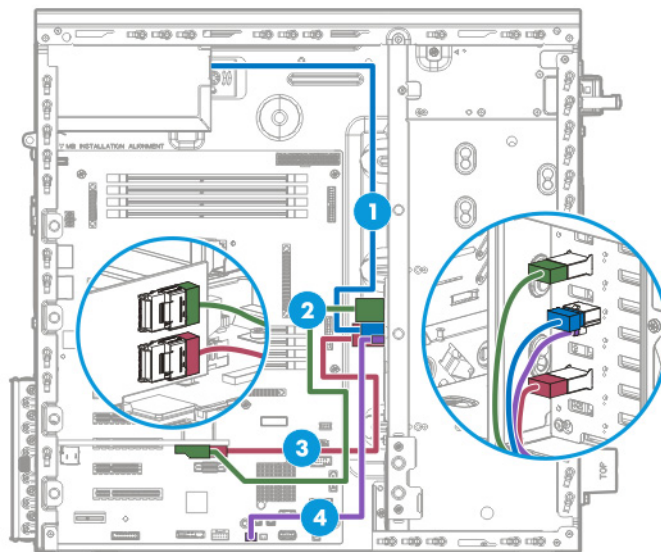
8-bay SFF hot-plug drive cabling

- Box 1 drive backplane connected to the system board



Item	Description
1	Drive power cable
2	Mini-SAS port 1 connection
3	Mini-SAS port 2 connection
4	Hard drive power good cable

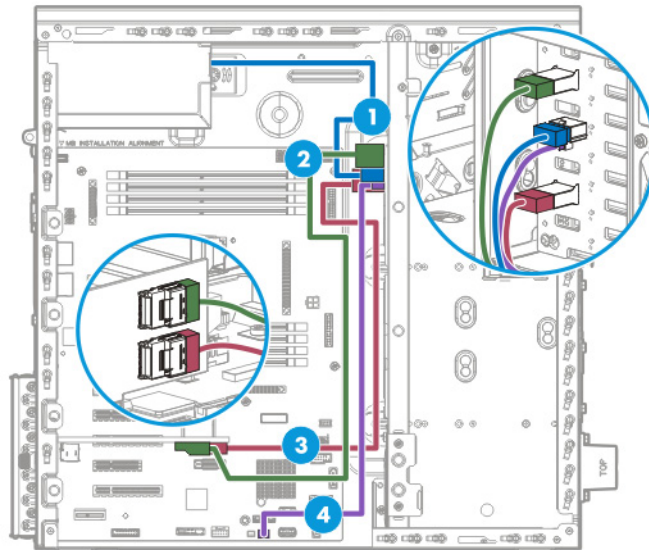
- Box 1 drive backplane connected to an H240 adapter



Item	Description
1	Drive power cable
2	Mini-SAS port 1 connection to port 1 controller
3	Mini-SAS port 2 connection to port 2 controller

Item	Description
4	Hard drive power good cable

- Box 2 drive backplane connected to an H240 adapter



Item	Description
1	Drive power cable
2	Mini-SAS port 1 connection to port 1 controller
3	Mini-SAS port 2 connection to port 2 controller
4	Hard drive power good cable

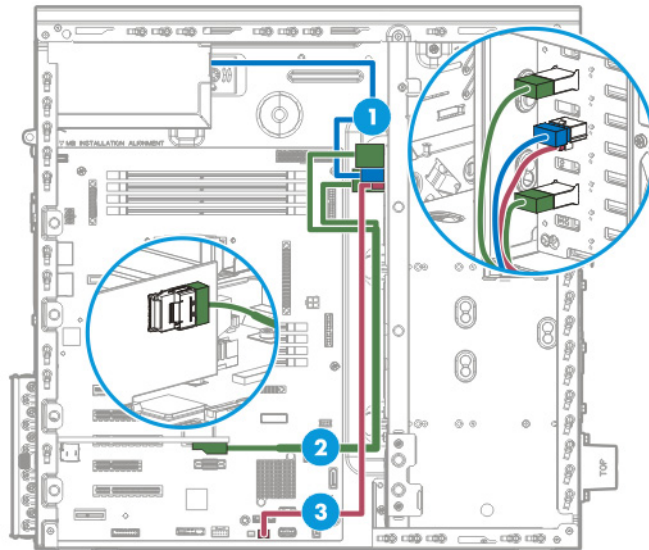
- Box 1 drive backplane connected to a P440 controller



Item	Description
1	Drive power cable
2	Mini-SAS Y-cable to controller

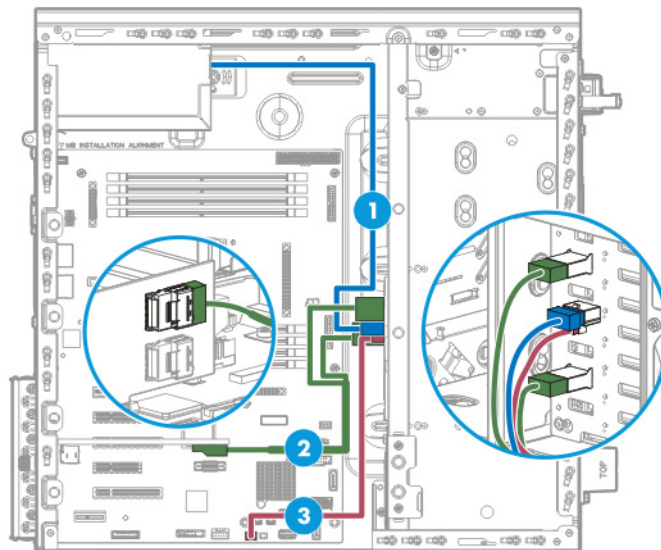
Item	Description
3	Hard drive power good cable

- Box 2 drive backplane connected to a P440 controller



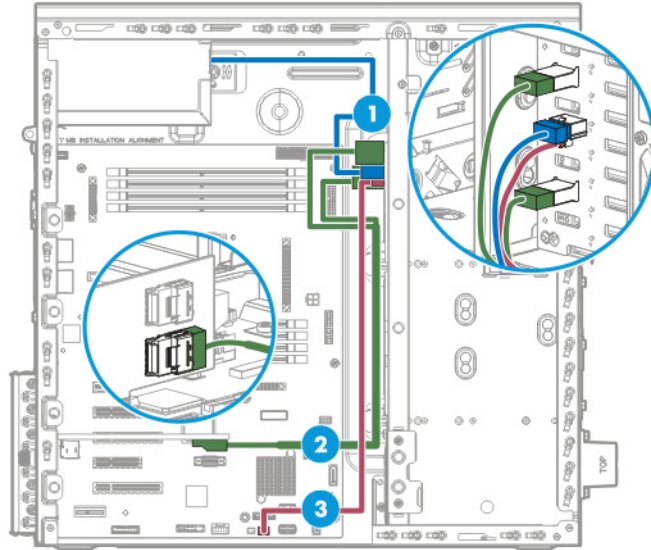
Item	Description
1	Drive power cable
2	Mini-SAS Y-cable to controller
3	Hard drive power good cable

- Box 1 drive backplane connected to a P840 controller



Item	Description
1	Drive power cable
2	Mini-SAS Y-cable connection to port 1 controller
3	Hard drive power good cable

- Box 2 drive backplane connected to a P840 controller



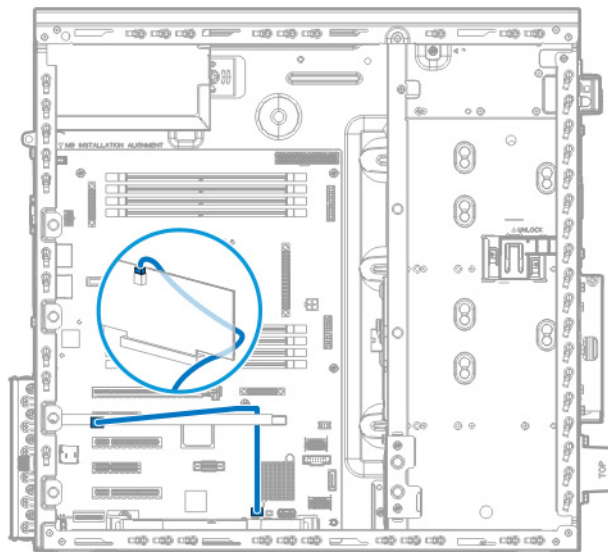
Item	Description
1	Drive power cable
2	Mini-SAS Y-cable connection to port 2 controller
3	Hard drive power good cable

FBWC module cabling

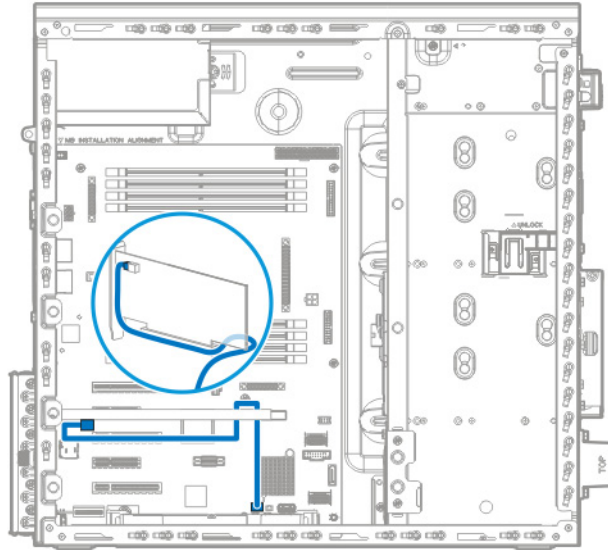
The FBWC solution is a separately purchased option. This server only supports FBWC module installation when an HP Smart Array P-Series controller is installed.

Depending on the controller option installed, the actual storage controller connectors might look different from what is shown in this section.

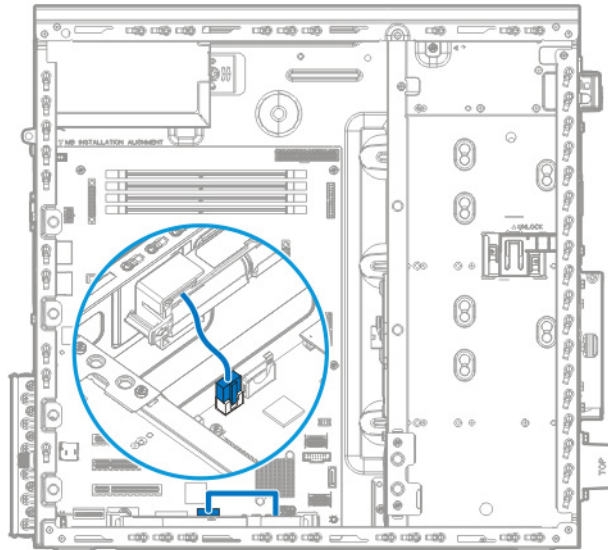
- FBWC module on a P440 controller



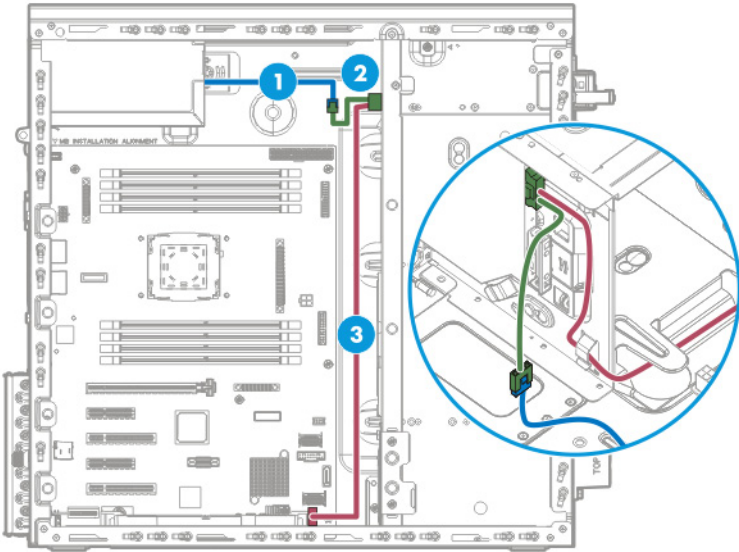
- FBWC module on a P840 controller



HP Smart Storage Battery cabling



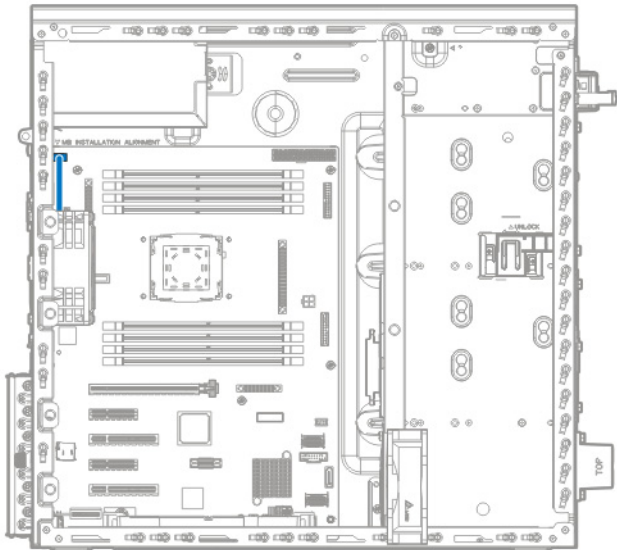
Optical drive cabling



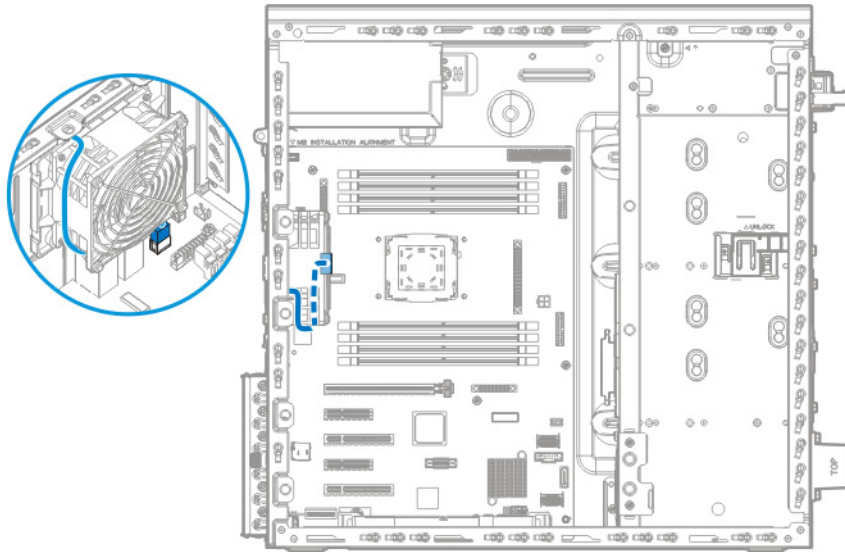
Item	Description
1	Power supply cable
2	Drive power cable
3	SATA cable

Fan cabling

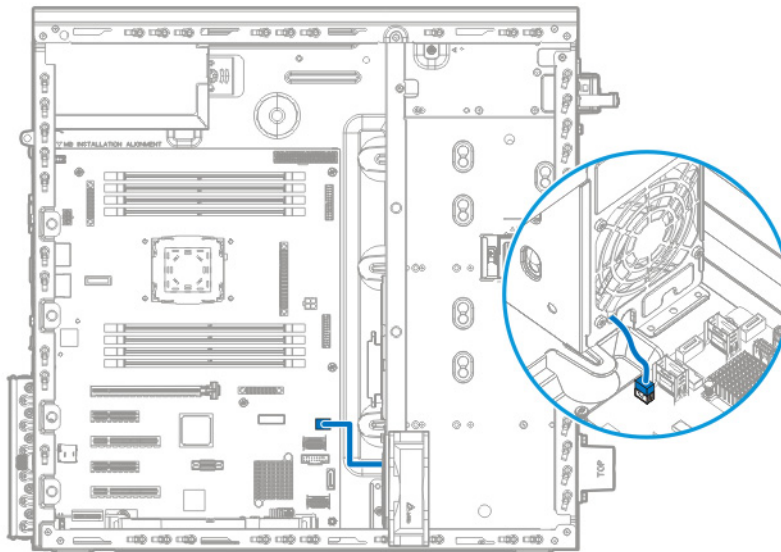
- Default system fan (92 x 32 mm)



- Optional system upgrade fan (92 x 38 mm)

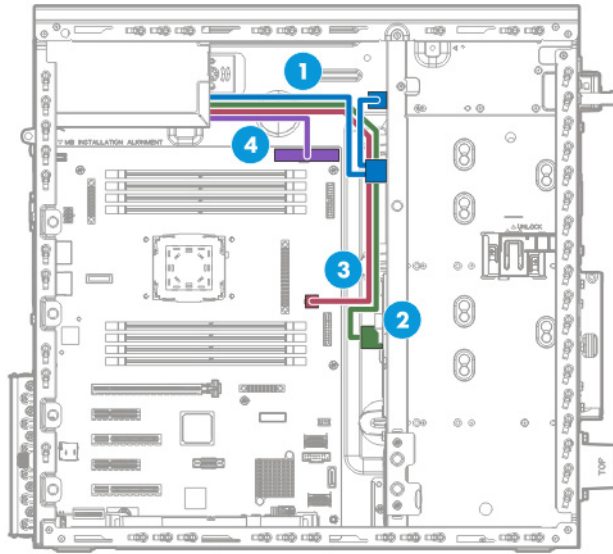


- PCI fan



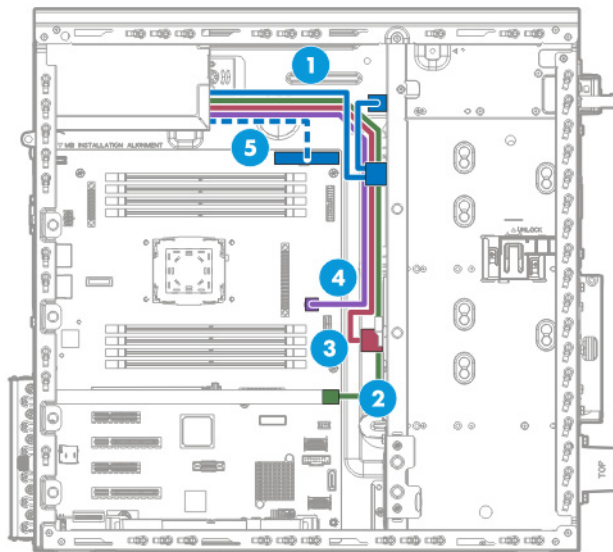
Power supply cabling

HP ATX 350-W power supply (non-hot-plug)



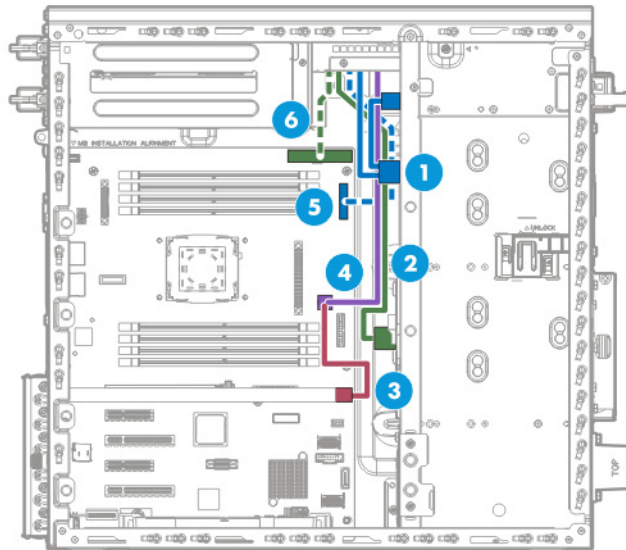
Item	Description
1	8-pin power supply cable to box 2 drive backplane and optical drive
2	8-pin power supply cable to box 1 drive backplane
3	4-pin power cable to system board
4	24-pin power supply cable

HP ATX 550-W power supply (non-hot-plug)



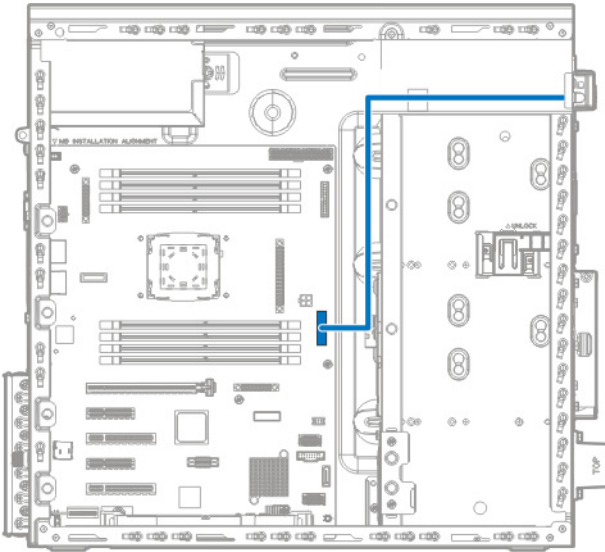
Item	Description
1	8-pin power supply cable to box 2 drive backplane and optical drive
2	6-pin power cable to GPU
3	8-pin power supply cable to box 1 drive backplane
4	4-pin power cable to system board
5	24-pin power cable to system board

HP 750-W redundant power supply

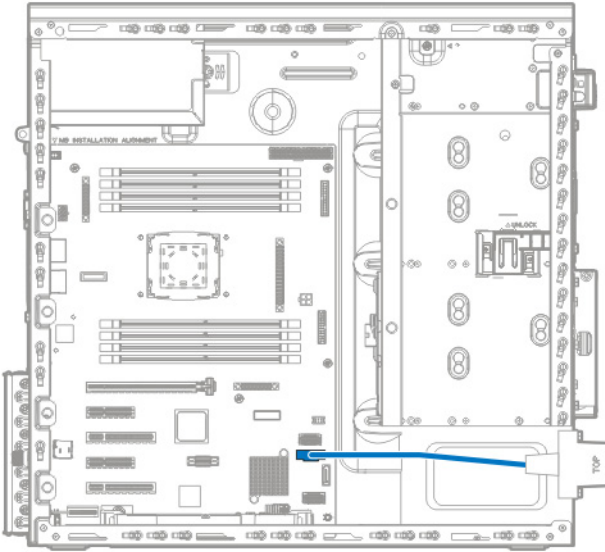


Item	Description
1	8-pin power supply cable to box 2 drive backplane and optical drive
2	8-pin power supply cable to box 1 drive backplane
3	6-pin power cable to GPU
4	4-pin power cable to system board
5	RPS cable to system board
6	24-pin power cable to system board

Front I/O cabling



Front USB 3.0 cabling



Software and configuration utilities

Server mode

The software and configuration utilities presented in this section operate in online mode, offline mode, or in both modes.

Software or configuration utility	Server mode
HP iLO (on page 98)	Online and Offline
Active Health System (on page 99)	Online and Offline
HP RESTful API support for HP iLO (on page 100)	Online and Offline
Integrated Management Log (on page 100)	Online and Offline
HP Insight Remote Support (on page 101)	Online
HP Insight Online (on page 101)	Online
Intelligent Provisioning (on page 101)	Offline
HP Insight Diagnostics (on page 102)	Online and Offline
Erase Utility (on page 102)	Offline
Scripting Toolkit for Windows and Linux (on page 103)	Online
HP Service Pack for ProLiant (on page 103)	Online and Offline
HP Smart Update Manager (on page 103)	Online and Offline
HP UEFI System Utilities (on page 104)	Offline
HP Smart Storage Administrator (on page 107)	Online and Offline
FWUPDATE utility (on page 109)	Offline

Product QuickSpecs

For more information about product features, specifications, options, configurations, and compatibility, see the product QuickSpecs on the HP website (<http://www.hp.com/go/qs>).

HP iLO

The iLO 4 subsystem is a standard component of HP ProLiant servers that simplifies initial server setup, server health monitoring, power and thermal optimization, and remote server administration. The iLO 4 subsystem includes an intelligent microprocessor, secure memory, and a dedicated network interface. This design makes iLO 4 independent of the host server and its operating system.

iLO 4 enables and manages the Active Health System (on page 99) and also features Agentless Management. All key internal subsystems are monitored by iLO 4. If enabled, SNMP alerts are sent directly by iLO 4 regardless of the host operating system or even if no host operating system is installed.

Embedded remote support software is available on HP ProLiant Gen8 and later servers with iLO 4, regardless of the operating system software and without installing OS agents on the server.

Using iLO 4, you can do the following:

- Access a high-performance and secure Integrated Remote Console to the server from anywhere in the world if you have a network connection to the server.
- Use the shared .NET Integrated Remote Console to collaborate with up to four server administrators.
- Remotely mount high-performance Virtual Media devices to the server.
- Securely and remotely control the power state of the managed server.
- Implement true Agentless Management with SNMP alerts from HP iLO, regardless of the state of the host server.
- Download the Active Health System log.
- Register for HP Insight Remote Support.
- Use iLO Federation to manage multiple servers from one system running the iLO web interface.
- Use Virtual Power and Virtual Media from the GUI, the CLI, or the iLO scripting toolkit for many tasks, including the automation of deployment and provisioning.
- Control iLO by using a remote management tool.

For more information about iLO 4 features, see the iLO 4 documentation on the HP website (<http://www.hp.com/go/ilo/docs>).

The HP iLO 4 hardware and firmware features and functionality, such as NAND size and embedded user partition, vary depending on the server model. For a complete list of supported features and functionality, see the HP iLO 4 QuickSpecs on the HP website (http://h18000.www1.hp.com/products/quickspecs/14276_div/14276_div.pdf).

Active Health System

HP Active Health System provides the following features:

- Combined diagnostics tools/scanners
- Always on, continuous monitoring for increased stability and shorter downtimes
- Rich configuration history
- Health and service alerts
- Easy export and upload to Service and Support

The HP Active Health System monitors and records changes in the server hardware and system configuration. The Active Health System assists in diagnosing problems and delivering rapid resolution if server failures occur.

The Active Health System collects the following types of data:

- Server model
- Serial number
- Processor model and speed
- Storage capacity and speed
- Memory capacity and speed
- Firmware/BIOS

HP Active Health System does not collect information about Active Health System users' operations, finances, customers, employees, partners, or data center, such as IP addresses, host names, user names, and passwords. HP Active Health System does not parse or change operating system data from third-party error event log activities, such as content created or passed through by the operating system.

The data that is collected is managed according to the HP Data Privacy policy. For more information see the HP website (<http://www.hp.com/go/privacy>).

The Active Health System, in conjunction with the system monitoring provided by Agentless Management or SNMP Pass-thru, provides continuous monitoring of hardware and configuration changes, system status, and service alerts for various server components.

The Agentless Management Service is available in the SPP, which can be downloaded from the HP website (<http://www.hp.com/go/spp/download>). The Active Health System log can be downloaded manually from iLO 4 or HP Intelligent Provisioning and sent to HP.

For more information, see the following documents:

- *HP iLO User Guide* on the HP website (<http://www.hp.com/go/ilo/docs>)
- *HP Intelligent Provisioning User Guide* on the HP website (<http://www.hp.com/go/intelligentprovisioning/docs>)

HP RESTful API support for HP iLO

HP iLO 4 firmware version 2.00 and later includes the HP RESTful API. The HP RESTful API is a management interface that server management tools can use to perform configuration, inventory, and monitoring of an HP ProLiant server via iLO. A REST client sends HTTPS operations to the iLO web server to GET and PATCH JSON-formatted data, and to configure supported iLO and server settings, such as the UEFI BIOS settings.

HP iLO 4 supports the HP RESTful API with HP ProLiant Gen8 and later servers. For more information about the HP RESTful API, see the HP website (<http://www.hp.com/support/restfulinterface/docs>).

Integrated Management Log

The IML records hundreds of events and stores them in an easy-to-view form. The IML timestamps each event with 1-minute granularity.

You can view recorded events in the IML in several ways, including the following:

- From within HP SIM
- From within HP UEFI System Utilities (on page [104](#))
- From within the Embedded UEFI shell (on page [106](#))
- From within operating system-specific IML viewers:
 - For Windows: IML Viewer
 - For Linux: IML Viewer Application
- From within the iLO 4 web interface
- From within HP Insight Diagnostics (on page [102](#))

HP Insight Remote Support

HP strongly recommends that you register your device for remote support to enable enhanced delivery of your HP Warranty, HP Care Pack Service, or HP contractual support agreement. HP Insight Remote Support supplements your monitoring continuously to ensure maximum system availability by providing intelligent event diagnosis, and automatic, secure submission of hardware event notifications to HP, which will initiate a fast and accurate resolution, based on your product's service level. Notifications can be sent to your authorized HP Channel Partner for onsite service, if configured and available in your country.

For more information, see *HP Insight Remote Support and Insight Online Setup Guide for ProLiant Servers and BladeSystem c-Class Enclosures* on the HP website (<http://www.hp.com/go/insightremotesupport/docs>). HP Insight Remote Support is available as part of HP Warranty, HP Care Pack Service, or HP contractual support agreement.

HP Insight Remote Support central connect

When you use the embedded Remote Support functionality with HP ProLiant Gen8 and later server models and HP BladeSystem c-Class enclosures, you can register a server or chassis to communicate to HP through an HP Insight Remote Support centralized Hosting Device in your local environment. All configuration and service event information is routed through the Hosting Device. This information can be viewed by using the local HP Insight Remote Support user interface or the web-based view in HP Insight Online.

For more information, see *HP Insight Remote Support Release Notes* on the HP website (<http://www.hp.com/go/insightremotesupport/docs>).

HP Insight Online direct connect

When you use the embedded Remote Support functionality with HP ProLiant Gen8 and later server models and HP BladeSystem c-Class enclosures, you can register a server or chassis to communicate directly to HP Insight Online without the need to set up an HP Insight Remote Support centralized Hosting Device in your local environment. HP Insight Online will be your primary interface for remote support information.

For more information, see the product documentation on the HP website (<http://www.hp.com/go/insightremotesupport/docs>).

HP Insight Online

HP Insight Online is a capability of the HP Support Center portal. Combined with HP Insight Remote Support central connect or HP Insight Online direct connect, it automatically aggregates device health, asset, and support information with contract and warranty information, and then secures it in a single, personalized dashboard that is viewable from anywhere at any time. The dashboard organizes your IT and service data to help you understand and respond to that information more quickly. With specific authorization from you, an authorized HP Channel Partner can also view your IT environment remotely using HP Insight Online.

For more information about using HP Insight Online, see the *HP Insight Online User's Guide* on the HP website (<http://www.hp.com/go/insightremotesupport/docs>).

Intelligent Provisioning

Intelligent Provisioning is a single-server deployment tool embedded in HP ProLiant Gen8 and later servers that simplifies HP ProLiant server setup, providing a reliable and consistent way to deploy HP ProLiant server configurations:

- Intelligent Provisioning assists with the OS installation process by preparing the system for installing "off-the-shelf" and HP branded versions of operating system software and integrating optimized HP ProLiant server support software.
- Intelligent Provisioning provides maintenance-related tasks using the Perform Maintenance window.
- Intelligent Provisioning provides installation help for Microsoft Windows, Red Hat and SUSE Linux, and VMware operating systems. For specific OS support, see the *HP Intelligent Provisioning Release Notes* on the HP website (<http://www.hp.com/go/intelligentprovisioning/docs>).

For more information about Intelligent Provisioning software, see the HP website (<http://www.hp.com/go/intelligentprovisioning>). For Intelligent Provisioning recovery media downloads, see the Resources tab on the HP website (<http://www.hp.com/go/ilo>). For consolidated drive and firmware update packages, see the HP Smart Update: Server Firmware and Driver Updates page on the HP website (<http://www.hp.com/go/SmartUpdate>).

HP Insight Diagnostics

HP Insight Diagnostics is a proactive server management tool, available in both offline and online versions, that provides diagnostics and troubleshooting capabilities to assist IT administrators who verify server installations, troubleshoot problems, and perform repair validation.

HP Insight Diagnostics Offline Edition performs various in-depth system and component testing while the OS is not running. To run this utility, boot the server using Intelligent Provisioning (on page 101).

HP Insight Diagnostics Online Edition is a web-based application that captures system configuration and other related data needed for effective server management. Available in Microsoft Windows and Linux versions, the utility helps to ensure proper system operation.

For more information or to download the utility, see the HP website (<http://www.hp.com/servers/diags>). HP Insight Diagnostics Online Edition is also available in the SPP ("HP Service Pack for ProLiant" on page 103).

HP Insight Diagnostics survey functionality

HP Insight Diagnostics (on page 102) provides survey functionality that gathers critical hardware and software information on ProLiant servers.

This functionality supports operating systems that are supported by the server. For operating systems supported by the server, see the HP website (<http://www.hp.com/go/supportos>).

If a significant change occurs between data-gathering intervals, the survey function marks the previous information and overwrites the survey data files to reflect the latest changes in the configuration.

Survey functionality is installed with every Intelligent Provisioning-assisted HP Insight Diagnostics installation, or it can be installed through the SPP ("HP Service Pack for ProLiant" on page 103).

Erase Utility



CAUTION: Perform a backup before running the Erase Utility. The utility sets the system to its original factory state, deletes the current hardware configuration information, including array setup and disk partitioning, and erases all connected hard drives completely. Before using this utility, see the instructions in the *HP Intelligent Provisioning User Guide*.

Use the Erase Utility to erase drives and Active Health System logs, and to reset UEFI System Utilities settings. Run the Erase Utility if you must erase the system for the following reasons:

- You want to install a new operating system on a server with an existing operating system.
- You encounter an error when completing the steps of a factory-installed operating system installation.

To access the Erase Utility, click the Perform Maintenance icon from the Intelligent Provisioning home screen, and then select **Erase**.

For more information about the Erase Utility, see the *HP Intelligent Provisioning User Guide* on the HP website (<http://www.hp.com/go/intelligentprovisioning/docs>).

Scripting Toolkit for Windows and Linux

The Scripting Toolkit for Windows and Linux is a server deployment product that delivers an unattended automated installation for high-volume server deployments. The Scripting Toolkit is designed to support ProLiant BL, ML, DL, and SL servers. The toolkit includes a modular set of utilities and important documentation that describes how to apply these tools to build an automated server deployment process.

The Scripting Toolkit provides a flexible way to create standard server configuration scripts. These scripts are used to automate many of the manual steps in the server configuration process. This automated server configuration process cuts time from each deployment, making it possible to scale rapid, high-volume server deployments.

For more information, and to download the Scripting Toolkit, see the HP website (<http://www.hp.com/go/ProLiant/STK>).

HP Service Pack for ProLiant

SPP is a comprehensive systems software (drivers and firmware) solution delivered as a single package with major server releases. This solution uses HP SUM as the deployment tool and is tested on all supported HP ProLiant servers including HP ProLiant Gen8 and later servers.

SPP can be used in an online mode on a Windows or Linux hosted operating system, or in an offline mode where the server is booted to an operating system included on the ISO file so that the server can be updated automatically with no user interaction or updated in interactive mode.

For more information or to download SPP, see one of the following pages on the HP website:

- HP Service Pack for ProLiant download page (<http://www.hp.com/go/spp>)
- HP Smart Update: Server Firmware and Driver Updates page (<http://www.hp.com/go/SmartUpdate>)

HP Smart Update Manager

HP SUM is a product used to install and update firmware, drivers, and systems software on HP ProLiant servers. HP SUM provides a GUI and a command-line scriptable interface for deployment of systems software for single or one-to-many HP ProLiant servers and network-based targets, such as iLOs, OAs, and VC Ethernet and Fibre Channel modules.

For more information about HP SUM, see the product page on the HP website (<http://www.hp.com/go/hpsum>).

To download HP SUM, see the HP website (<http://www.hp.com/go/hpsum/download>).

To access the *HP Smart Update Manager User Guide*, see the HP SUM Information Library (<http://www.hp.com/go/hpsum/documentation>).

HP UEFI System Utilities

The HP UEFI System Utilities is embedded in the system ROM. The UEFI System Utilities enable you to perform a wide range of configuration activities, including:

- Configuring system devices and installed options
- Enabling and disabling system features
- Displaying system information
- Selecting the primary boot controller
- Configuring memory options
- Selecting a language
- Launching other pre-boot environments such as the Embedded UEFI Shell and Intelligent Provisioning

For more information on the HP UEFI System Utilities, see the *HP UEFI System Utilities User Guide for HP ProLiant Gen9 Servers* on the HP website (<http://www.hp.com/go/ProLiantUEFI/docs>).

Scan the QR code located at the bottom of the screen to access mobile-ready online help for the UEFI System Utilities and UEFI Shell. For on-screen help, press **F1**.

Using HP UEFI System Utilities

To use the System Utilities, use the following keys.

Action	Key
Access System Utilities	F9 during server POST
Navigate menus	Up and Down arrows
Select items	Enter
Save selections	F10
Access Help for a highlighted configuration option*	F1

*Scan the QR code on the screen to access online help for the UEFI System Utilities and UEFI Shell.

Default configuration settings are applied to the server at one of the following times:

- Upon the first system power-up
- After defaults have been restored

Default configuration settings are sufficient for typical server operations; however, you can modify configuration settings as needed. The system prompts you for access to the System Utilities each time the system is powered up.

Flexible boot control

This feature enables you to do the following:

- Add Boot Options
 - Browse all FAT16 and FAT32 file systems.
 - Select an X64 UEFI application with an .EFI extension to add as a new UEFI boot option, such as an OS boot loader or other UEFI application.

The new boot option is appended to the boot order list. When you select a file, you are prompted to enter the boot option description (which is then displayed in the Boot menu), as well as any optional data to be passed to an .EFI application.

- **Boot to System Utilities**
After pre-POST, the boot options screen appears. During this time, you can access the System Utilities by pressing the **F9** key.
- **Choose between supported modes: Legacy BIOS Boot Mode or UEFI Boot Mode**



IMPORTANT: If the default boot mode settings are different than the user defined settings, the system may not boot the OS installation if the defaults are restored. To avoid this issue, use the User Defined Defaults feature in UEFI System Utilities to override the factory default settings.

For more information, see the *HP UEFI System Utilities User Guide for HP ProLiant Gen9 Servers* on the HP website (<http://www.hp.com/go/ProLiantUEFI/docs>).

Restoring and customizing configuration settings

You can reset all configuration settings to the factory default settings, or you can restore system default configuration settings, which are used instead of the factory default settings.

You can also configure default settings as necessary, and then save the configuration as the custom default configuration. When the system loads the default settings, it uses the custom default settings instead of the factory defaults.

Secure Boot configuration

Secure Boot is integrated in the UEFI specification on which the HP implementation of UEFI is based. Secure Boot is completely implemented in the BIOS and does not require special hardware. It ensures that each component launched during the boot process is digitally signed and that the signature is validated against a set of trusted certificates embedded in the UEFI BIOS. Secure Boot validates the software identity of the following components in the boot process:

- UEFI drivers loaded from PCIe cards
- UEFI drivers loaded from mass storage devices
- Pre-boot UEFI shell applications
- OS UEFI boot loaders

Once enabled, only firmware components and operating systems with boot loaders that have an appropriate digital signature can execute during the boot process. Only operating systems that support Secure Boot and have an EFI boot loader signed with one of the authorized keys can boot when Secure Boot is enabled. For more information about supported operating systems, see the *HP UEFI System Utilities and Shell Release Notes* on the HP website (<http://www.hp.com/go/ProLiantUEFI/docs>).

A physically present user can customize the certificates embedded in the UEFI BIOS by adding/removing their own certificates.

Embedded UEFI shell

The system BIOS in all HP ProLiant Gen9 servers includes an Embedded UEFI Shell in the ROM. The UEFI Shell environment provides an API, a command line prompt, and a set of CLIs that allow scripting, file manipulation, and system information. These features enhance the capabilities of the UEFI System Utilities.

For more information, see the following documents:

- *HP UEFI Shell User Guide for HP ProLiant Gen9 Servers* on the HP website (<http://www.hp.com/go/ProLiantUEFI/docs>)
- *UEFI Shell Specification* on the UEFI website (<http://www.uefi.org/specifications>)

Embedded Diagnostics option

The system BIOS in all HP ProLiant Gen9 servers includes an Embedded Diagnostics option in the ROM. The Embedded Diagnostics option can run comprehensive diagnostics of the server hardware, including processors, memory, drives, and other server components.

For more information on the Embedded Diagnostics option, see the *HP UEFI System Utilities User Guide for HP ProLiant Gen9 Servers* on the HP website (<http://www.hp.com/go/ProLiantUEFI/docs>).

HP RESTful API support for UEFI

HP ProLiant Gen9 servers include support for a UEFI compliant System BIOS, along with UEFI System Utilities and Embedded UEFI Shell pre-boot environments. HP ProLiant Gen9 servers also support configuring the UEFI BIOS settings using the HP RESTful API, a management interface that server management tools can use to perform configuration, inventory, and monitoring of an HP ProLiant server. A REST client uses HTTPS operations to configure supported server settings, such as UEFI BIOS settings.

For more information about the HP RESTful API and the HP RESTful Interface Tool, see the HP website (<http://www.hp.com/support/restfulinterface/docs>).

Re-entering the server serial number and product ID

After you replace the system board, you must re-enter the server serial number and the product ID.

1. During the server startup sequence, press the **F9** key to access UEFI System Utilities.
2. Select the **System Configuration > BIOS/Platform Configuration (RBSU) > Advanced Options > Advanced System ROM Options > Serial Number**, and then press the **Enter** key.
3. Enter the serial number and press the **Enter** key. The following message appears:
The serial number should only be modified by qualified service personnel.
This value should always match the serial number located on the chassis.
4. Press the **Enter** key to clear the warning.
5. Enter the serial number and press the **Enter** key.
6. Select **Product ID**. The following warning appears:
Warning: The Product ID should ONLY be modified by qualified service personnel. This value should always match the Product ID located on the chassis.
7. Enter the product ID and press the **Enter** key.
8. Press the **F10** key to confirm exiting System Utilities. The server automatically reboots.

Utilities and features

HP Smart Storage Administrator

HP SSA is a configuration and management tool for HP Smart Array controllers. Starting with HP ProLiant Gen8 servers, HP SSA replaces ACU with an enhanced GUI and additional configuration features.

HP SSA exists in three interface formats: the HP SSA GUI, the HP SSA CLI, and HP SSA Scripting. Although all formats provide support for configuration tasks, some of the advanced tasks are available in only one format.

Some HP SSA features include the following:

- Supports online array capacity expansion, logical drive extension, assignment of online spares, and RAID or stripe size migration
- Suggests the optimal configuration for an unconfigured system
- Provides diagnostic and SmartSSD Wear Gauge functionality on the Diagnostics tab
- For supported controllers, provides access to additional features.

For more information about HP SSA, see the HP website (<http://www.hp.com/go/hpssa>).

Automatic Server Recovery

ASR is a feature that causes the system to restart when a catastrophic operating system error occurs, such as a blue screen, ABEND, or panic. A system fail-safe timer, the ASR timer, starts when the System Management driver, also known as the Health Driver, is loaded. When the operating system is functioning properly, the system periodically resets the timer. However, when the operating system fails, the timer expires and restarts the server.

ASR increases server availability by restarting the server within a specified time after a system hang. You can disable ASR from the System Management Homepage or through UEFI System Utilities.

USB support

HP servers support both USB 2.0 ports and USB 3.0 ports. Both types of ports support installing all types of USB devices (USB 1.0, USB 2.0, and USB 3.0), but may run at lower speeds in specific situations:

- USB 3.0 capable devices operate at USB 2.0 speeds when installed in a USB 2.0 port.
- When the server is configured for UEFI Boot Mode, HP provides legacy USB support in the pre-boot environment prior to the operating system loading for USB 1.0, USB 2.0, and USB 3.0 speeds.
- When the server is configured for Legacy BIOS Boot Mode, HP provides legacy USB support in the pre-boot environment prior to the operating system loading for USB 1.0 and USB 2.0 speeds. While USB 3.0 ports can be used with all devices in Legacy BIOS Boot Mode, they are not available at USB 3.0 speeds in the pre-boot environment. Standard USB support (USB support from within the operating system) is provided by the OS through the appropriate USB device drivers. Support for USB 3.0 varies by operating system.

For maximum compatibility of USB 3.0 devices with all operating systems, HP provides a configuration setting for USB 3.0 Mode. Auto is the default setting. This setting impacts USB 3.0 devices when connected to USB 3.0 ports in the following manner:

- **Auto (default)**—If configured in Auto Mode, USB 3.0 capable devices operate at USB 2.0 speeds in the pre-boot environment and during boot. When a USB 3.0 capable OS USB driver loads, USB 3.0 devices transition to USB 3.0 speeds. This mode provides compatibility with operating systems that do not support USB 3.0 while still allowing USB 3.0 devices to operate at USB 3.0 speeds with state-of-the-art operating systems.
- **Enabled**—If Enabled, USB 3.0 capable devices operate at USB 3.0 speeds at all times (including the pre-boot environment) when in UEFI Boot Mode. This mode should not be used with operating systems that do not support USB 3.0. If operating in Legacy Boot BIOS Mode, the USB 3.0 ports cannot function in the pre-boot environment and are not bootable.
- **Disabled**—If configured for Disabled, USB 3.0 capable devices function at USB 2.0 speeds at all times.

The pre-OS behavior of the USB ports is configurable in System Utilities, so that the user can change the default operation of the USB ports. For more information, see the *HP UEFI System Utilities User Guide for HP ProLiant Gen9 Servers* on the HP website (<http://www.hp.com/go/ProLiantUEFI/docs>).

External USB functionality

HP provides external USB support to enable local connection of USB devices for server administration, configuration, and diagnostic procedures.

For additional security, external USB functionality can be disabled through USB options in UEFI System Utilities.

Internal USB functionality

An internal USB connector is available for use with security key devices and USB drive keys. This solution provides for use of a permanent USB key installed in the internal connector, avoiding physical access to secure data.

Redundant ROM support

The server enables you to upgrade or configure the ROM safely with redundant ROM support. The server has a single ROM that acts as two separate ROM images. In the standard implementation, one side of the ROM contains the current ROM program version, while the other side of the ROM contains a backup version.

NOTE: The server ships with the same version programmed on each side of the ROM.

Safety and security benefits

When you flash the system ROM, the flashing mechanism writes over the backup ROM and saves the current ROM as a backup, enabling you to switch easily to the alternate ROM version if the new ROM becomes corrupted for any reason. This feature protects the existing ROM version, even if you experience a power failure while flashing the ROM.

Keeping the system current

Access to HP Support Materials

Access to some updates for HP ProLiant Servers may require product entitlement when accessed through the HP Support Center support portal. HP recommends that you have an HP Passport set up with relevant entitlements. For more information, see the HP website (<http://h20564.www2.hp.com/portal/site/hpsc/public/kb/docDisplay/?docId=c03859703>).

Updating firmware or System ROM

Multiple methods exist to update the firmware or System ROM:

- HP Service Pack for ProLiant (on page 103)
- FWUPDATE utility (on page 109)
- FWUpdate command from within the Embedded UEFI shell (on page 110)
- Firmware Update application in System Utilities (on page 110)
- Online Flash components (on page 110)

Product entitlement is required to perform updates. For more information, see "Access to HP Support Materials (on page 109)."

FWUPDATE utility

The FWUPDATE utility enables you to upgrade the system firmware (BIOS).

To use the utility to upgrade the firmware:

1. Download the FWUPDATE flash component from the HP website (<http://www.hp.com/go/hpsc>).
2. Save the FWUPDATE flash components to a USB key.
3. Set the boot order so the USB key will boot first using one of the following options:
 - Configure the boot order so the USB key is the first bootable device.
 - Press **F11** (Boot Menu) when prompted during system boot to access the **One-Time Boot Menu**. This menu allows you to select the boot device for a specific boot and does not modify the boot order configuration settings.
4. Insert the USB key into an available USB port.
5. Boot the system.

The FWUPDATE utility checks the system and provides a choice (if more than one exists) of available firmware revisions.

To download the flash components, see the HP website (<http://www.hp.com/go/hpsc>).

For more information about the One-Time Boot Menu, see the *HP UEFI System Utilities User Guide for HP ProLiant Gen9 Servers* on the HP website (<http://www.hp.com/go/ProLiantUEFI/docs>).

FWUpdate command from within the Embedded UEFI Shell

For systems configured in either boot mode, update the firmware:

1. Access the System ROM Flash Binary component for your server from the HP Support Center (<http://www.hp.com/go/hpsc>). When searching for the component, always select **OS Independent** to locate the binary file.
2. Copy the binary file to a USB media or iLO virtual media.
3. Attach the media to the server.
4. Boot to Embedded Shell.
5. To obtain the assigned file system volume for the USB key, enter `Map -r`. For more information about accessing a file system from the shell, see the *HP UEFI Shell User Guide for HP ProLiant Gen9 Servers* on the HP website (<http://www.hp.com/go/ProLiantUEFI/docs>).
6. Change to the file system that contains the System ROM Flash Binary component for your server. Enter one of the fsx file systems available, such as `fs0` or `fs1`, and press **Enter**.
7. Use the `cd` command to change from the current directory to the directory that contains the binary file.
8. Enter `fwupdate -d BIOS -f <filename>` to flash the system ROM.

For help on the FWUPDATE command, enter the command:

```
help fwupdate -b
```

9. Reboot the server. A reboot is required after the firmware update for the updates to take effect and for hardware stability to be maintained.

For more information about the commands used in this procedure, see the *HP UEFI Shell User Guide for HP ProLiant Gen9 Servers* on the HP website (<http://www.hp.com/go/ProLiantUEFI/docs>).

Firmware Update application in System Utilities

For systems configured in either boot mode, update the firmware:

1. Access the System ROM Flash Binary component for your server from the HP Support Center (<http://www.hp.com/go/hpsc>). When searching for the component, always select **OS Independent** to find the component.
2. Copy the binary file to a USB media or iLO virtual media.
3. Attach the media to the server.
4. During POST, press **F9** to enter System Utilities.
5. Select **Embedded Applications** → **Firmware Update** → **System ROM** → **Select Firmware File**.
6. Select the device containing the flash file.
7. Select the flash file. This step may take a few moments to complete.
8. Select **Start firmware update** and allow the process to complete.
9. Reboot the server. A reboot is required after the firmware update for the updates to take effect and for hardware stability to be maintained.

Online Flash components

This component provides updated system firmware that can be installed directly on supported Operating Systems. Additionally, when used in conjunction with HP SUM ("HP Smart Update Manager" on page 103), this Smart Component allows the user to update firmware on remote servers from a central location. This

remote deployment capability eliminates the need for the user to be physically present at the server to perform a firmware update.

Drivers



IMPORTANT: Always perform a backup before installing or updating device drivers.

The server includes new hardware that may not have driver support on all OS installation media.

If you are installing an Intelligent Provisioning-supported OS, use Intelligent Provisioning (on page 101) and its Configure and Install feature to install the OS and latest supported drivers.

If you do not use Intelligent Provisioning to install an OS, drivers for some of the new hardware are required. These drivers, as well as other option drivers, ROM images, and value-add software can be downloaded as part of an SPP.

If you are installing drivers from SPP, be sure that you are using the latest SPP version that your server supports. To verify that your server is using the latest supported version and for more information about SPP, see the HP website (<http://www.hp.com/go/spp/download>).

To locate the drivers for a particular server, go to the HP website (<http://www.hp.com/go/hpsc>) and click on **Drivers, Software & Firmware**. Then, enter your product name in the **Find an HP product** field and click **Go**.

Software and firmware

Software and firmware should be updated before using the server for the first time, unless any installed software or components require an older version.

For system software and firmware updates, use one of the following sources:

- Download the SPP ("HP Service Pack for ProLiant" on page 103) from the HP Service Pack for ProLiant download page (<http://www.hp.com/go/spp>).
- Download individual drivers, firmware, or other systems software components from the server product page in the HP Support Center (<http://www.hp.com/go/hpsc>).

Operating System Version Support

For information about specific versions of a supported operating system, refer to the operating system support matrix (<http://www.hp.com/go/supportos>).

Version control

The VCRM and VCA are web-enabled Insight Management Agents tools that HP SIM uses to schedule software update tasks to the entire enterprise.

- VCRM manages the repository for SPP. Administrators can view the SPP contents or configure VCRM to automatically update the repository with internet downloads of the latest software and firmware from HP.
- VCA compares installed software versions on the node with updates available in the VCRM managed repository. Administrators configure VCA to point to a repository managed by VCRM.

For more information about version control tools, see the *HP Systems Insight Manager User Guide*, the *HP Version Control Agent User Guide*, and the *HP Version Control Repository Manager User Guide* on the HP website (<http://www.hp.com/go/enterprise/docs>).

1. Select **HP Insight Management** from the available options in Products and Solutions.
2. Select **HP Version Control** from the available options in HP Insight Management.
3. Download the latest document.

HP operating systems and virtualization software support for ProLiant servers

For information about specific versions of a supported operating system, see the HP website (<http://www.hp.com/go/ossupport>).

HP Technology Service Portfolio

Connect to HP for assistance on the journey to the new style of IT. HP Technology Services delivers confidence and reduces risk to help you realize agility and stability in your IT infrastructure.

Utilize our consulting expertise in the areas of private or hybrid cloud computing, big data and mobility requirements, improving data center infrastructure and better use of today's server, storage and networking technology. For more information, see the HP website (<http://www.hp.com/services/consulting>).

Our support portfolio covers services for HP server, storage and networking hardware and software plus the leading industry standard operating systems. Let us work proactively with you to prevent problems. Our flexible choices of hardware and software support coverage windows and response times help resolve problems faster, reduce unplanned outages and free your staff for more important tasks. For more information, see the HP website (<http://www.hp.com/services/support>).

Tap into our knowledge, expertise, innovation and world-class services to achieve better results. Access and apply technology in new ways to optimize your operations and you'll be positioned for success.

Change control and proactive notification

HP offers Change Control and Proactive Notification to notify customers 30 to 60 days in advance of upcoming hardware and software changes on HP commercial products.

For more information, refer to the HP website (<http://www.hp.com/go/pcn>).

Troubleshooting

Troubleshooting resources

The *HP ProLiant Gen9 Troubleshooting Guide, Volume I: Troubleshooting* provides procedures for resolving common problems and comprehensive courses of action for fault isolation and identification, issue resolution, and software maintenance on ProLiant servers and server blades. To view the guide, select a language:

- English (http://www.hp.com/support/Gen9_TSG_en)
- French (http://www.hp.com/support/Gen9_TSG_fr)
- Spanish (http://www.hp.com/support/Gen9_TSG_es)
- German (http://www.hp.com/support/Gen9_TSG_de)
- Japanese (http://www.hp.com/support/Gen9_TSG_ja)
- Simplified Chinese (http://www.hp.com/support/Gen9_TSG_zh_cn)

The *HP ProLiant Gen9 Troubleshooting Guide, Volume II: Error Messages* provides a list of error messages and information to assist with interpreting and resolving error messages on ProLiant servers and server blades. To view the guide, select a language:

- English (http://www.hp.com/support/Gen9_EMG_en)
- French (http://www.hp.com/support/Gen9_EMG_fr)
- Spanish (http://www.hp.com/support/Gen9_EMG_es)
- German (http://www.hp.com/support/Gen9_EMG_de)
- Japanese (http://www.hp.com/support/Gen9_EMG_ja)
- Simplified Chinese (http://www.hp.com/support/Gen9_EMG_zh_cn)

System battery replacement

If the server no longer automatically displays the correct date and time, then replace the battery that provides power to the real-time clock. Under normal use, battery life is 5 to 10 years.

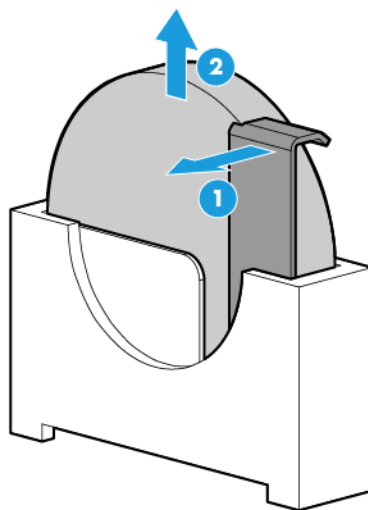


WARNING: The computer contains an internal lithium manganese dioxide, a vanadium pentoxide, or an alkaline battery pack. A risk of fire and burns exists if the battery pack is not properly handled. To reduce the risk of personal injury:

- Do not attempt to recharge the battery.
- Do not expose the battery to temperatures higher than 60°C (140°F).
- Do not disassemble, crush, puncture, short external contacts, or dispose of in fire or water.
- Replace only with the spare designated for this product.

To remove the component:

1. Power down the server (on page 18).
2. Remove all power:
 - a. Disconnect each power cord from the power source.
 - b. Disconnect each power cord from the server.
3. Place the server on its side.
4. Remove the access panel (on page 18).
5. If installed, remove the PCI air baffle (on page 22).
6. Remove the system air baffle (on page 23).
7. If installed, remove the HP Smart Storage Battery.
8. Locate the battery on the system board ("[System board components](#)" on page 11).
9. Remove the battery.





IMPORTANT: Replacing the system board battery resets the system ROM to its default configuration. After replacing the battery, reconfigure the system through RBSU.

To replace the component, reverse the removal procedure.

For more information about battery replacement or proper disposal, contact an authorized reseller or an authorized service provider.

Regulatory information

Safety and regulatory compliance

For safety, environmental, and regulatory information, see *Safety and Compliance Information for Server, Storage, Power, Networking, and Rack Products*, available at the HP website (<http://www.hp.com/support/Safety-Compliance-EnterpriseProducts>).

Belarus Kazakhstan Russia marking



Manufacturer

Hewlett-Packard Company, Address: 3000 Hanover Street, Palo Alto, California 94304, U.S.

Local representative information (Russian)

- HP Russia
ЗАО «Хьюлетт-Паккард А.О.», 125171, Россия, г. Москва, Ленинградское шоссе, 16А, стр.3, тел./факс: +7 (495) 797 35 00, +7 (495) 287 89 05
- HP Belarus
ИООО «Хьюлетт-Паккард Бел», 220030, Беларусь, г. Минск, ул. Интернациональная, 36-1, офис 722-723, тел.: +375 (17) 392 28 18, факс: +375 (17) 392 28 21
- HP Kazakhstan
ТОО «Хьюлетт-Паккард (К)», 050040, Казахстан, г. Алматы, Бостандықский район, ул. Тимирязева, 28В, 1 этаж, тел./факс: +7 (727) 355 35 50, +7 (727) 355 35 51

Local representative information (Kazakh)

ЖШС «Хьюлетт-Паккард (К)», Қазақстан, Алматы қ., Бостандық ауданы, Тимирязев к-сі, 28В, тел./факс: +7 (727) 355 35 50, +7 (727) 355 35 51

Manufacturing date

The manufacturing date is defined by the serial number (HP serial number format for this product):

CCSYWWZZZZ

Valid date formats include the following:

- YWW, where Y indicates the year counting from within each new decade, with 2000 as the starting point. For example, 238: 2 for 2002 and 38 for the week of September 9. In addition, 2010 is indicated by 0, 2011 by 1, 2012 by 2, 2013 by 3, and so forth.
- YYWW, where YY indicates the year, using a base year of 2000. For example, 0238: 02 for 2002 and 38 for the week of September 9.

Turkey RoHS material content declaration

Türkiye Cumhuriyeti: EEE Yönetmeliğine Uygundur

Ukraine RoHS material content declaration

Обладнання відповідає вимогам Технічного регламенту щодо обмеження використання деяких небезпечних речовин в електричному та електронному обладнанні, затвердженого постановою Кабінету Міністрів України від 3 грудня 2008 № 1057

Warranty information

HP ProLiant and X86 Servers and Options (<http://www.hp.com/support/ProLiantServers-Warranties>)

HP Enterprise Servers (<http://www.hp.com/support/EnterpriseServers-Warranties>)

HP Storage Products (<http://www.hp.com/support/Storage-Warranties>)

HP Networking Products (<http://www.hp.com/support/Networking-Warranties>)

GS Gloss declaration

The product is not suitable for use at visual display workplaces according to §2 of the German Ordinance for Work with Visual Display Units.

Das Produkt ist nicht für den Einsatz an Bildschirmarbeitsplätzen im Sinne § 2 der Bildschirmarbeitsverordnung geeignet.

Electrostatic discharge

Preventing electrostatic discharge

To prevent damaging the system, be aware of the precautions you need to follow when setting up the system or handling parts. A discharge of static electricity from a finger or other conductor may damage system boards or other static-sensitive devices. This type of damage may reduce the life expectancy of the device.

To prevent electrostatic damage:

- Avoid hand contact by transporting and storing products in static-safe containers.
- Keep electrostatic-sensitive parts in their containers until they arrive at static-free workstations.
- Place parts on a grounded surface before removing them from their containers.
- Avoid touching pins, leads, or circuitry.
- Always be properly grounded when touching a static-sensitive component or assembly.

Grounding methods to prevent electrostatic discharge

Several methods are used for grounding. Use one or more of the following methods when handling or installing electrostatic-sensitive parts:

- Use a wrist strap connected by a ground cord to a grounded workstation or computer chassis. Wrist straps are flexible straps with a minimum of 1 megohm ± 10 percent resistance in the ground cords. To provide proper ground, wear the strap snug against the skin.
- Use heel straps, toe straps, or boot straps at standing workstations. Wear the straps on both feet when standing on conductive floors or dissipating floor mats.
- Use conductive field service tools.
- Use a portable field service kit with a folding static-dissipating work mat.

If you do not have any of the suggested equipment for proper grounding, have an authorized reseller install the part.

For more information on static electricity or assistance with product installation, contact an authorized reseller.

Specifications

Environmental specifications

Specification	Value
Temperature range*	—
Operating	10°C to 35°C (50°F to 95°F)
Nonoperating	-30°C to 60°C (-22°F to 140°F)
Relative humidity (noncondensing)	—
Operating	Minimum to be the higher (more moisture) of -12°C (10.4°F) dew point or 8% relative humidity Maximum to be 24°C (75.2°F) dew point or 90% relative humidity
Nonoperating	5% to 95% 38.7°C (101.7°F), maximum wet bulb temperature

* All temperature ratings shown are for sea level. An altitude derating of 1.0°C per 304.8 m (1.8°F per 1000 ft) to 3048 m (10,000 ft) is applicable. No direct sunlight allowed. Maximum rate of change is 20°C per hour (36°F per hour). The upper limit and rate of change might be limited by the type and number of options installed.

For certain approved hardware configurations, the supported system inlet temperature range is extended:

- 5°C to 10°C (41°F to 50°F) and 35°C to 40°C (95°F to 104°F) at sea level with an altitude derating of 1.0°C per every 175 m (1.8°F per every 574 ft) above 900 m (2953 ft) to a maximum of 3048 m (10,000 ft).
- 40°C to 45°C (104°F to 113°F) at sea level with an altitude derating of 1.0°C per every 125 m (1.8°F per every 410 ft) above 900 m (2953 ft) to a maximum of 3048 m (10,000 ft).

The approved hardware configurations for this system are listed on the HP website (<http://www.hp.com/servers/ASHRAE>).

Server specifications

Specification	Value
Dimensions (with feet/bezel)	—
Height	44.00 cm (17.32 in)
Depth	48.05 cm (18.92 in)
Width	19.50 cm (7.68 in)
Weight (approximate)	—
Maximum (all drives, power supplies, and processors installed)	24.9 kg (55.00 lbs)

Specification	Value
Minimum (one drive, power supply, and processor installed)	12.5 kg (27.56 lbs)

Power supply specifications

Depending on the installed options and/or the regional location where the server was purchased, the server is configured with one of the following power supplies:

- HP ATX 350-W Power Supply (non-hot-plug) (776442-B21)
- HP ATX 550-W Power Supply (non-hot-plug) (776444-B21)
- HP 750-W Common Slot Gold Hot Plug Power Supply (512327-B21)

This is supported when the two-bay HP RPS Enablement option (PN 784582-B21) is installed.

These are Entry Level Power Supply products for HP ProLiant servers. For more information about the power supply features, specifications, and compatibility, see the HP website (<http://www.hp.com/go/proliant/powersupply>).



CAUTION: Check the system and power supply input ratings before powering up the server.

Hot-plug power supply calculations

For hot-plug power supply specifications and calculators to determine electrical and heat loading for the server, see the HP Power Advisor website (<http://www.hp.com/go/hppoweradvisor>).

Support and other resources

Before you contact HP

Be sure to have the following information available before you call HP:

- Active Health System log (HP ProLiant Gen8 or later products)
Download and have available an Active Health System log for 7 days before the failure was detected. For more information, see the *HP iLO 4 User Guide* or *HP Intelligent Provisioning User Guide* on the HP website (<http://www.hp.com/go/ilo/docs>).
- Onboard Administrator SHOW ALL report (for HP BladeSystem products only)
For more information on obtaining the Onboard Administrator SHOW ALL report, see the HP website (<http://www.hp.com/go/OAlog>).
- Technical support registration number (if applicable)
- Product serial number
- Product model name and number
- Product identification number
- Applicable error messages
- Add-on boards or hardware
- Third-party hardware or software
- Operating system type and revision level

HP contact information

For United States and worldwide contact information, see the Contact HP website (<http://www.hp.com/go/assistance>).

In the United States:

- To contact HP by phone, call 1-800-334-5144. For continuous quality improvement, calls may be recorded or monitored.
- If you have purchased a Care Pack (service upgrade), see the Support & Drivers website (<http://www8.hp.com/us/en/support-drivers.html>). If the problem cannot be resolved at the website, call 1-800-633-3600. For more information about Care Packs, see the HP website (<http://pro-aq-sama.houston.hp.com/services/cache/10950-0-0-225-121.html>).

Customer Self Repair

HP products are designed with many Customer Self Repair (CSR) parts to minimize repair time and allow for greater flexibility in performing defective parts replacement. If during the diagnosis period HP (or HP service

providers or service partners) identifies that the repair can be accomplished by the use of a CSR part, HP will ship that part directly to you for replacement. There are two categories of CSR parts:

- **Mandatory**—Parts for which customer self repair is mandatory. If you request HP to replace these parts, you will be charged for the travel and labor costs of this service.
- **Optional**—Parts for which customer self repair is optional. These parts are also designed for customer self repair. If, however, you require that HP replace them for you, there may or may not be additional charges, depending on the type of warranty service designated for your product.

NOTE: Some HP parts are not designed for customer self repair. In order to satisfy the customer warranty, HP requires that an authorized service provider replace the part. These parts are identified as "No" in the Illustrated Parts Catalog.

Based on availability and where geography permits, CSR parts will be shipped for next business day delivery. Same day or four-hour delivery may be offered at an additional charge where geography permits. If assistance is required, you can call the HP Technical Support Center and a technician will help you over the telephone. HP specifies in the materials shipped with a replacement CSR part whether a defective part must be returned to HP. In cases where it is required to return the defective part to HP, you must ship the defective part back to HP within a defined period of time, normally five (5) business days. The defective part must be returned with the associated documentation in the provided shipping material. Failure to return the defective part may result in HP billing you for the replacement. With a customer self repair, HP will pay all shipping and part return costs and determine the courier/carrier to be used.

For more information about HP's Customer Self Repair program, contact your local service provider. For the North American program, refer to the HP website (<http://www.hp.com/go/selfrepair>).

Réparation par le client (CSR)

Les produits HP comportent de nombreuses pièces CSR (Customer Self Repair = réparation par le client) afin de minimiser les délais de réparation et faciliter le remplacement des pièces défectueuses. Si pendant la période de diagnostic, HP (ou ses partenaires ou mainteneurs agréés) détermine que la réparation peut être effectuée à l'aide d'une pièce CSR, HP vous l'envoie directement. Il existe deux catégories de pièces CSR:

Obligatoire - Pièces pour lesquelles la réparation par le client est obligatoire. Si vous demandez à HP de remplacer ces pièces, les coûts de déplacement et main d'œuvre du service vous seront facturés.

Facultatif - Pièces pour lesquelles la réparation par le client est facultative. Ces pièces sont également conçues pour permettre au client d'effectuer lui-même la réparation. Toutefois, si vous demandez à HP de remplacer ces pièces, l'intervention peut ou non vous être facturée, selon le type de garantie applicable à votre produit.

REMARQUE: Certaines pièces HP ne sont pas conçues pour permettre au client d'effectuer lui-même la réparation. Pour que la garantie puisse s'appliquer, HP exige que le remplacement de la pièce soit effectué par un Mainteneur Agréé. Ces pièces sont identifiées par la mention "Non" dans le Catalogue illustré.

Les pièces CSR sont livrées le jour ouvré suivant, dans la limite des stocks disponibles et selon votre situation géographique. Si votre situation géographique le permet et que vous demandez une livraison le jour même ou dans les 4 heures, celle-ci vous sera facturée. Pour bénéficier d'une assistance téléphonique, appelez le Centre d'assistance technique HP. Dans les documents envoyés avec la pièce de rechange CSR, HP précise s'il est nécessaire de lui retourner la pièce défectueuse. Si c'est le cas, vous devez le faire dans le délai indiqué, généralement cinq (5) jours ouvrés. La pièce et sa documentation doivent être retournées dans l'emballage fourni. Si vous ne retournez pas la pièce défectueuse, HP se réserve le droit de vous facturer les coûts de remplacement. Dans le cas d'une pièce CSR, HP supporte l'ensemble des frais d'expédition et de retour, et détermine la société de courses ou le transporteur à utiliser.

Pour plus d'informations sur le programme CSR de HP, contactez votre Mainteneur Agrée local. Pour plus d'informations sur ce programme en Amérique du Nord, consultez le site Web HP (<http://www.hp.com/go/selfrepair>).

Riparazione da parte del cliente

Per abbreviare i tempi di riparazione e garantire una maggiore flessibilità nella sostituzione di parti difettose, i prodotti HP sono realizzati con numerosi componenti che possono essere riparati direttamente dal cliente (CSR, Customer Self Repair). Se in fase di diagnostica HP (o un centro di servizi o di assistenza HP) identifica il guasto come riparabile mediante un ricambio CSR, HP lo spedisce direttamente al cliente per la sostituzione. Vi sono due categorie di parti CSR:

Obbligatorie – Parti che devono essere necessariamente riparate dal cliente. Se il cliente ne affida la riparazione ad HP, deve sostenere le spese di spedizione e di manodopera per il servizio.

Opzionali – Parti la cui riparazione da parte del cliente è facoltativa. Si tratta comunque di componenti progettati per questo scopo. Se tuttavia il cliente ne richiede la sostituzione ad HP, potrebbe dover sostenere spese aggiuntive a seconda del tipo di garanzia previsto per il prodotto.

NOTA: alcuni componenti HP non sono progettati per la riparazione da parte del cliente. Per rispettare la garanzia, HP richiede che queste parti siano sostituite da un centro di assistenza autorizzato. Tali parti sono identificate da un "No" nel Catalogo illustrato dei componenti.

In base alla disponibilità e alla località geografica, le parti CSR vengono spedite con consegna entro il giorno lavorativo seguente. La consegna nel giorno stesso o entro quattro ore è offerta con un supplemento di costo solo in alcune zone. In caso di necessità si può richiedere l'assistenza telefonica di un addetto del centro di supporto tecnico HP. Nel materiale fornito con una parte di ricambio CSR, HP specifica se il cliente deve restituire dei componenti. Qualora sia richiesta la resa ad HP del componente difettoso, lo si deve spedire ad HP entro un determinato periodo di tempo, generalmente cinque (5) giorni lavorativi. Il componente difettoso deve essere restituito con la documentazione associata nell'imballo di spedizione fornito. La mancata restituzione del componente può comportare la fatturazione del ricambio da parte di HP. Nel caso di riparazione da parte del cliente, HP sostiene tutte le spese di spedizione e resa e sceglie il corriere/vettore da utilizzare.

Per ulteriori informazioni sul programma CSR di HP contattare il centro di assistenza di zona. Per il programma in Nord America fare riferimento al sito Web HP (<http://www.hp.com/go/selfrepair>).

Customer Self Repair

HP Produkte enthalten viele CSR-Teile (Customer Self Repair), um Reparaturzeiten zu minimieren und höhere Flexibilität beim Austausch defekter Bauteile zu ermöglichen. Wenn HP (oder ein HP Servicepartner) bei der Diagnose feststellt, dass das Produkt mithilfe eines CSR-Teils repariert werden kann, sendet Ihnen HP dieses Bauteil zum Austausch direkt zu. CSR-Teile werden in zwei Kategorien unterteilt:

Zwingend – Teile, für die das Customer Self Repair-Verfahren zwingend vorgegeben ist. Wenn Sie den Austausch dieser Teile von HP vornehmen lassen, werden Ihnen die Anfahrt- und Arbeitskosten für diesen Service berechnet.

Optional – Teile, für die das Customer Self Repair-Verfahren optional ist. Diese Teile sind auch für Customer Self Repair ausgelegt. Wenn Sie jedoch den Austausch dieser Teile von HP vornehmen lassen möchten, können bei diesem Service je nach den für Ihr Produkt vorgesehenen Garantiebedingungen zusätzliche Kosten anfallen.

HINWEIS: Einige Teile sind nicht für Customer Self Repair ausgelegt. Um den Garantieanspruch des Kunden zu erfüllen, muss das Teil von einem HP Servicepartner ersetzt werden. Im illustrierten Teilekatalog sind diese Teile mit „No“ bzw. „Nein“ gekennzeichnet.

CSR-Teile werden abhängig von der Verfügbarkeit und vom Lieferziel am folgenden Geschäftstag geliefert. Für bestimmte Standorte ist eine Lieferung am selben Tag oder innerhalb von vier Stunden gegen einen Aufpreis verfügbar. Wenn Sie Hilfe benötigen, können Sie das HP technische Support Center anrufen und sich von einem Mitarbeiter per Telefon helfen lassen. Den Materialien, die mit einem CSR-Ersatzteil geliefert werden, können Sie entnehmen, ob das defekte Teil an HP zurückgeschickt werden muss. Wenn es erforderlich ist, das defekte Teil an HP zurückzuschicken, müssen Sie dies innerhalb eines vorgegebenen Zeitraums tun, in der Regel innerhalb von fünf (5) Geschäftstagen. Das defekte Teil muss mit der zugehörigen Dokumentation in der Verpackung zurückgeschickt werden, die im Lieferumfang enthalten ist. Wenn Sie das defekte Teil nicht zurückschicken, kann HP Ihnen das Ersatzteil in Rechnung stellen. Im Falle von Customer Self Repair kommt HP für alle Kosten für die Lieferung und Rücksendung auf und bestimmt den Kurier-/Frachtdienst.

Weitere Informationen über das HP Customer Self Repair Programm erhalten Sie von Ihrem Servicepartner vor Ort. Informationen über das CSR-Programm in Nordamerika finden Sie auf der HP Website unter (<http://www.hp.com/go/selfrepair>).

Reparaciones del propio cliente

Los productos de HP incluyen muchos componentes que el propio usuario puede reemplazar (*Customer Self Repair*, CSR) para minimizar el tiempo de reparación y ofrecer una mayor flexibilidad a la hora de realizar sustituciones de componentes defectuosos. Si, durante la fase de diagnóstico, HP (o los proveedores o socios de servicio de HP) identifica que una reparación puede llevarse a cabo mediante el uso de un componente CSR, HP le enviará dicho componente directamente para que realice su sustitución. Los componentes CSR se clasifican en dos categorías:

- **Obligatorio:** componentes para los que la reparación por parte del usuario es obligatoria. Si solicita a HP que realice la sustitución de estos componentes, tendrá que hacerse cargo de los gastos de desplazamiento y de mano de obra de dicho servicio.
- **Opcional:** componentes para los que la reparación por parte del usuario es opcional. Estos componentes también están diseñados para que puedan ser reparados por el usuario. Sin embargo, si precisa que HP realice su sustitución, puede o no conllevar costes adicionales, dependiendo del tipo de servicio de garantía correspondiente al producto.

NOTA: Algunos componentes no están diseñados para que puedan ser reparados por el usuario. Para que el usuario haga valer su garantía, HP pone como condición que un proveedor de servicios autorizado realice la sustitución de estos componentes. Dichos componentes se identifican con la palabra "No" en el catálogo ilustrado de componentes.

Según la disponibilidad y la situación geográfica, los componentes CSR se enviarán para que lleguen a su destino al siguiente día laborable. Si la situación geográfica lo permite, se puede solicitar la entrega en el mismo día o en cuatro horas con un coste adicional. Si precisa asistencia técnica, puede llamar al Centro de asistencia técnica de HP y recibirá ayuda telefónica por parte de un técnico. Con el envío de materiales para la sustitución de componentes CSR, HP especificará si los componentes defectuosos deberán devolverse a HP. En aquellos casos en los que sea necesario devolver algún componente a HP, deberá hacerlo en el periodo de tiempo especificado, normalmente cinco días laborables. Los componentes defectuosos deberán devolverse con toda la documentación relacionada y con el embalaje de envío. Si no enviara el componente defectuoso requerido, HP podrá cobrarle por el de sustitución. En el caso de todas

sustituciones que lleve a cabo el cliente, HP se hará cargo de todos los gastos de envío y devolución de componentes y escogerá la empresa de transporte que se utilice para dicho servicio.

Para obtener más información acerca del programa de Reparaciones del propio cliente de HP, póngase en contacto con su proveedor de servicios local. Si está interesado en el programa para Norteamérica, visite la página web de HP siguiente (<http://www.hp.com/go/selfrepair>).

Customer Self Repair

Veel onderdelen in HP producten zijn door de klant zelf te repareren, waardoor de reparatieduur tot een minimum beperkt kan blijven en de flexibiliteit in het vervangen van defecte onderdelen groter is. Deze onderdelen worden CSR-onderdelen (Customer Self Repair) genoemd. Als HP (of een HP Service Partner) bij de diagnose vaststelt dat de reparatie kan worden uitgevoerd met een CSR-onderdeel, verzendt HP dat onderdeel rechtstreeks naar u, zodat u het defecte onderdeel daarmee kunt vervangen. Er zijn twee categorieën CSR-onderdelen:

Verplicht: Onderdelen waarvoor reparatie door de klant verplicht is. Als u HP verzoekt deze onderdelen voor u te vervangen, worden u voor deze service reiskosten en arbeidsloon in rekening gebracht.

Optioneel: Onderdelen waarvoor reparatie door de klant optioneel is. Ook deze onderdelen zijn ontworpen voor reparatie door de klant. Als u echter HP verzoekt deze onderdelen voor u te vervangen, kunnen daarvoor extra kosten in rekening worden gebracht, afhankelijk van het type garantieservice voor het product.

OPMERKING: Sommige HP onderdelen zijn niet ontwikkeld voor reparatie door de klant. In verband met de garantievoorwaarden moet het onderdeel door een geautoriseerde Service Partner worden vervangen. Deze onderdelen worden in de geïllustreerde onderdelencatalogus aangemerkt met "Nee".

Afhankelijk van de leverbaarheid en de locatie worden CSR-onderdelen verzonden voor levering op de eerstvolgende werkdag. Levering op dezelfde dag of binnen vier uur kan tegen meerkosten worden aangeboden, indien dit mogelijk is gezien de locatie. Indien assistentie gewenst is, belt u een HP Service Partner om via de telefoon technische ondersteuning te ontvangen. HP vermeldt in de documentatie bij het vervangende CSR-onderdeel of het defecte onderdeel aan HP moet worden geretourneerd. Als het defecte onderdeel aan HP moet worden teruggezonden, moet u het defecte onderdeel binnen een bepaalde periode, gewoonlijk vijf (5) werkdagen, retourneren aan HP. Het defecte onderdeel moet met de bijbehorende documentatie worden geretourneerd in het meegeleverde verpakkingsmateriaal. Als u het defecte onderdeel niet terugzendt, kan HP u voor het vervangende onderdeel kosten in rekening brengen. Bij reparatie door de klant betaalt HP alle verzendkosten voor het vervangende en geretourneerde onderdeel en kiest HP zelf welke koerier/transportonderneming hiervoor wordt gebruikt.

Neem contact op met een Service Partner voor meer informatie over het Customer Self Repair programma van HP. Informatie over Service Partners vindt u op de HP website (<http://www.hp.com/go/selfrepair>).

Reparo feito pelo cliente

Os produtos da HP são projetados com muitas peças para reparo feito pelo cliente (CSR) de modo a minimizar o tempo de reparo e permitir maior flexibilidade na substituição de peças com defeito. Se, durante o período de diagnóstico, a HP (ou fornecedores/parceiros de serviço da HP) concluir que o reparo pode ser efetuado pelo uso de uma peça CSR, a peça de reposição será enviada diretamente ao cliente. Existem duas categorias de peças CSR:

Obrigatória – Peças cujo reparo feito pelo cliente é obrigatório. Se desejar que a HP substitua essas peças, serão cobradas as despesas de transporte e mão-de-obra do serviço.

Opcional – Peças cujo reparo feito pelo cliente é opcional. Essas peças também são projetadas para o reparo feito pelo cliente. No entanto, se desejar que a HP as substitua, pode haver ou não a cobrança de taxa adicional, dependendo do tipo de serviço de garantia destinado ao produto.

OBSERVAÇÃO: Algumas peças da HP não são projetadas para o reparo feito pelo cliente. A fim de cumprir a garantia do cliente, a HP exige que um técnico autorizado substitua a peça. Essas peças estão identificadas com a marca "No" (Não), no catálogo de peças ilustrado.

Conforme a disponibilidade e o local geográfico, as peças CSR serão enviadas no primeiro dia útil após o pedido. Onde as condições geográficas permitirem, a entrega no mesmo dia ou em quatro horas pode ser feita mediante uma taxa adicional. Se precisar de auxílio, entre em contato com o Centro de suporte técnico da HP para que um técnico o ajude por telefone. A HP especifica nos materiais fornecidos com a peça CSR de reposição se a peça com defeito deve ser devolvida à HP. Nos casos em que isso for necessário, é preciso enviar a peça com defeito à HP dentro do período determinado, normalmente cinco (5) dias úteis. A peça com defeito deve ser enviada com a documentação correspondente no material de transporte fornecido. Caso não o faça, a HP poderá cobrar a reposição. Para as peças de reparo feito pelo cliente, a HP paga todas as despesas de transporte e de devolução da peça e determina a transportadora/serviço postal a ser utilizado.

Para obter mais informações sobre o programa de reparo feito pelo cliente da HP, entre em contato com o fornecedor de serviços local. Para o programa norte-americano, visite o site da HP (<http://www.hp.com/go/selfrepair>).

カスタマーセルフリペア

修理時間を短縮し、故障部品の交換における高い柔軟性を確保するために、HP製品には多数のCSR部品があります。診断の際に、CSR部品を使用すれば修理ができるとHP（HPまたはHP正規保守代理店）が判断した場合、HPはその部品を直接、お客様に発送し、お客様に交換していただきます。CSR部品には以下の2通りがあります。

- **必須** - カスタマーセルフリペアが必須の部品。当該部品について、もしもお客様がHPに交換作業を依頼される場合には、その修理サービスに関する交通費および人件費がお客様に請求されます。
- **任意** - カスタマーセルフリペアが任意である部品。この部品もカスタマーセルフリペア用です。当該部品について、もしもお客様がHPに交換作業を依頼される場合には、お買い上げの製品に適用される保証サービス内容の範囲内においては、別途費用を負担していただくことなく保証サービスを受けることができます。

注： HP製品の一部の部品は、カスタマーセルフリペア用ではありません。製品の保証を継続するためには、HPまたはHP正規保守代理店による交換作業が必須となります。部品カタログには、当該部品がカスタマーセルフリペア除外品である旨が記載されています。

部品供給が可能な場合、地域によっては、CSR部品を翌営業日に届くように発送します。また、地域によっては、追加費用を負担いただくことにより同日または4時間以内に届くように発送することも可能な場合があります。サポートが必要なときは、HPの修理受付窓口にご連絡いただければ、技術者が電話でアドバイスします。交換用のCSR部品または同梱物には、故障部品をHPに返送する必要があるかどうかが表示されています。故障部品をHPに返送する必要がある場合は、指定期限内（通常は5営業日以内）に故障部品をHPに返送してください。故障部品を返送する場合は、届いた時の梱包箱に関連書類とともに入れてください。故障部品を返送しない場合、HPから部品費用が請求されます。カスタマーセルフリペアの際には、HPは送料および部品返送費を全額負担し、使用する宅配便会社や運送会社を指定します。

客戶自行維修

HP 產品提供許多客戶自行維修 (CSR) 部件，以尽可能縮短維修時間和在更換缺陷部件方面提供更大的靈活性。如果在診斷期間 HP (或 HP 服務提供商或服務合作夥伴) 確定可以通過使用 CSR 部件完成維修，HP 將直接把該部件發送給您進行更換。有兩類 CSR 部件：

- **強制性的** — 要求客戶必須自行維修的部件。如果您請求 HP 更換這些部件，則必須為該服務支付差旅費和人工費用。
- **可選的** — 客戶可以選擇是否自行維修的部件。這些部件也是為客戶自行維修設計的。不過，如果您要求 HP 為您更換這些部件，則根據為您的產品指定的保修服務類型，HP 可能收取或不再收取任何附加費用。

注：某些 HP 部件的設計並未考慮客戶自行維修。為了滿足客戶保修的需要，HP 要求授權服務提供商更換相關部件。這些部件在部件圖解目錄中標記為“否”。

CSR 部件將在下一個工作日發運（取決於備貨情況和允許的地理範圍）。在允許的地理範圍內，可在當天或四小時內發運，但要收取額外費用。如果需要幫助，您可以致電 HP 技術支持中心，將會有技術人員通過電話為您提供幫助。HP 會在隨更換的 CSR 部件發運的材料中指明是否必須將有缺陷的部件返還給 HP。如果要求您將有缺陷的部件返還給 HP，那麼您必須在規定期限內（通常是五 (5) 個工作日）將缺陷部件發給 HP。有缺陷的部件必須隨所提供的發運材料中的相關文件一起返還。如果未能送還有缺陷的部件，HP 可能會要求您支付更換費用。客戶自行維修時，HP 將承擔所有相關運輸和部件返回費用，並指定快遞商/承運商。

有關 HP 客戶自行維修計劃的詳細信息，請與您當地的服務提供商聯繫。有關北美地區的計劃，請訪問 HP 網站 (<http://www.hp.com/go/selfrepair>)。

客戶自行維修

HP 產品設計了許多「客戶自行維修」(CSR) 的零件以減少維修時間，並且使得更換瑕疵零件時能有更大的彈性。如果在診斷期間 HP (或 HP 服務供應商或維修夥伴) 辨認出此項維修工作可以藉由使用 CSR 零件來完成，則 HP 將直接寄送該零件給您作更換。CSR 零件分為兩種類別：

- **強制的** — 客戶自行維修所使用的零件是強制的。如果您要求 HP 更換這些零件，HP 將會向您收取此服務所需的外出費用與勞動成本。
- **選購的** — 客戶自行維修所使用的零件是選購的。這些零件也設計用於客戶自行維修之用。不過，如果您要求 HP 為您更換，則可能需要也可能不需要負擔額外的費用，端視針對此產品指定的保固服務類型而定。

備註：某些 HP 零件沒有消費者可自行維修的設計。為符合客戶保固，HP 需要授權的服務供應商更換零件。這些零件在圖示的零件目錄中，被標示為「否」。

基於材料取得及環境允許的情況下，CSR 零件將於下一個工作日以快遞寄送。在環境的允許下當天或四小時內送達，則可能需要額外的費用。若您需要協助，可致電「HP 技術支援中心」，會有一位技術人員透過電話來協助您。不論損壞的零件是否必須退回，HP 皆會在與 CSR 替換零件一起運送的材料中註明。若要將損壞的零件退回 HP，您必須在指定的一段時間內（通常為五 (5) 個工作天），將損壞的零件寄回 HP。損壞的零件必須與寄送資料中隨附的相關技術文件一併退還。如果無法退還損壞的零件，HP 可能要向您收取替換費用。針對客戶自行維修情形，HP 將負責所有運費及零件退還費用並指定使用何家快遞/貨運公司。

如需 HP 的「客戶自行維修」方案詳細資訊，請連絡您當地的服務供應商。至於北美方案，請參閱 HP 網站 (<http://www.hp.com/go/selfrepair>)。

고객 셀프 수리

HP 제품은 수리 시간을 최소화하고 결함이 있는 부품 교체 시 더욱 용통성을 발휘할 수 있도록 하기 위해 고객 셀프 수리(CSR) 부품을 다량 사용하여 설계되었습니다. 진단 기간 동안 HP(또는 HP 서비스 공급업체 또는 서비스 협력업체)에서 CSR 부품을 사용하여 수리가 가능하다고 판단되면 HP는 해당 부품을 바로 사용자에게 보내어 사용자가 교체할 수 있도록 합니다. CSR 부품에는 두 가지 종류가 있습니다.

- **고객 셀프 수리가 의무 사항인 필수 부품.** 사용자가 HP에 이 부품의 교체를 요청할 경우 이 서비스에 대한 출장비 및 작업비가 청구됩니다.
- **고객 셀프 수리가 선택 사항인 부품.** 이 부품들도 고객 셀프 수리가 가능하도록 설계되었습니다. 하지만 사용자가 HP에 이 부품의 교체를 요청할 경우 사용자가 구입한 제품에 해당하는 보증 서비스 유형에 따라 추가 비용 없이 교체가 가능할 수 있습니다.

참고: 일부 HP 부품은 고객 셀프 수리가 불가능하도록 설계되었습니다. HP는 만족스러운 고객 보증을 위해 공인 서비스 제공업체를 통해 부품을 교체하도록 하고 있습니다. 이러한 부품들은 Illustrated Parts Catalog에 "No"라고 표시되어 있습니다.

CSR 부품은 재고 상태와 지리적 조건이 허용하는 경우 다음 영업일 납품이 가능하도록 배송이 이루어집니다. 지리적 조건이 허용하는 경우 추가 비용이 청구되는 조건으로 당일 또는 4시간 배송이 가능할 수도 있습니다. 도움이 필요하시면 HP 기술 지원 센터로 전화하십시오. 전문 기술자가 전화로 도움을 줄 것입니다. HP는 결함이 발생한 부품을 HP로 반환해야 하는지 여부를 CSR 교체 부품과 함께 배송된 자료에 지정합니다. 결함이 발생한 부품을 HP로 반환해야 하는 경우에는 지정된 기간 내(통상 영업일 기준 5일)에 HP로 반환해야 합니다. 이 때 결함이 발생한 부품은 제공된 포장 재료에 넣어 관련 설명서와 함께 반환해야 합니다. 결함이 발생한 부품을 반환하지 않는 경우 HP가 교체 부품에 대해 비용을 청구할 수 있습니다. 고객 셀프 수리의 경우, HP는 모든 운송 및 부품 반환 비용을 부담하며 이용할 운송업체 및 택배 서비스를 결정합니다.

HP 고객 셀프 수리 프로그램에 대한 자세한 내용은 가까운 서비스 제공업체에 문의하십시오. 북미 지역의 프로그램에 대해서는 HP 웹 사이트(<http://www.hp.com/go/selfrepair>)를 참조하십시오.

Acronyms and abbreviations

ABEND

abnormal end

ACU

Array Configuration Utility

AMP

Advanced Memory Protection

ASHRAE

American Society of Heating, Refrigerating and Air-Conditioning Engineers

ASR

Automatic Server Recovery

CSA

Canadian Standards Association

CSR

Customer Self Repair

DDR

double data rate

FAT

file allocation table

FBWC

flash-backed write cache

GPU

graphics processing unit

HBA

host bus adapter

HP SIM

HP Systems Insight Manager

HP SSA

HP Smart Storage Administrator

HP SUM

HP Smart Update Manager

IEC

International Electrotechnical Commission

iLO

Integrated Lights-Out

IML

Integrated Management Log

ISO

International Organization for Standardization

JSON

JavaScript Object Notation

LFF

large form factor

LRDIMM

load reduced dual in-line memory module

NMI

nonmaskable interrupt

NVRAM

nonvolatile memory

PCIe

Peripheral Component Interconnect Express

PDU

power distribution unit

POST

Power-On Self Test

RBSU

ROM-Based Setup Utility

RDIMM

registered dual in-line memory module

RoHS

Restriction of Hazardous Substances

RPS

redundant power supply

SAS

serial attached SCSI

SATA

serial ATA

SFF

small form factor

SIM

Systems Insight Manager

SPP

HP Service Pack for ProLiant

SSD

solid-state drive

TMRA

recommended ambient operating temperature

TPM

Trusted Platform Module

UEFI

Unified Extensible Firmware Interface

UID

unit identification

USB

universal serial bus

VC

Virtual Connect

VCA

Version Control Agent

VCRM

Version Control Repository Manager

Documentation feedback

HP is committed to providing documentation that meets your needs. To help us improve the documentation, send any errors, suggestions, or comments to Documentation Feedback (<mailto:docsfeedback@hp.com>). Include the document title and part number, version number, or the URL when submitting your feedback.

Index

A

access panel, install 19
access panel, remove 18
Active Health System 98, 99
ACU (Array Configuration Utility) 107
Advanced ECC memory 67, 68
Advanced ECC population guidelines 68
air baffle, installation 22, 24
air baffle, removal 22, 23
airflow requirements 25
ambient temperature 26, 119
AMP modes 66
Array Configuration Utility (ACU) 107
ASR (Automatic Server Recovery) 107
authorized reseller 118, 121
authorized technician 121
Automatic Server Recovery (ASR) 107

B

Basic Input/Output System (BIOS) 98
battery packs, installing 53
before you contact HP 121
Belarus Kazakhstan Russia marking 116
bezel, installing 21
bezel, removing 20
BIOS (Basic Input/Output System) 98
BIOS upgrade 98
boot configurations 105
boot options 31, 104, 106

C

cabling, battery pack 92
cabling, drive 84, 85, 88
cabling, fan 93
cabling, FBWC 91
cabling, front I/O 97
cabling, front USB 3.0 97
cabling, Mini-SAS cable option 85, 88
cabling, not-hot-plug power supply 95
cabling, optical drive 93
cabling, redundant power supply 96
cache module battery pack 53

cache module installation 49
Care Pack 25, 101, 112, 121
cautions 27, 30, 118
central connect 101
Change Control 104, 107, 112
change control and proactive notification 112
clearing NVRAM 12
CMOS 12
components, front panel 7
components, identification 7
components, rear panel 9
components, system board 11
configuration of system 98
configuration settings 105
configuring AMP modes 66
contacting HP 121
crash dump analysis 13
customer self repair (CSR) 121

D

Declaration of Conformity 116, 117
dedicated iLO management connector 69, 71
dedicated iLO management module option 69
default settings 67
diagnostic tools 98, 102, 106, 107
diagnostics utility 102
dimensions and weight 119
DIMM identification 65
DIMM installation guidelines 65
DIMM slot locations 13
DIMMs 65
DIMMs, installation 68
DIMMs, installing 68
DIMMs, single- and dual-rank 65
direct connect 101
documentation feedback 133
downloading files 121
drive cabling 43, 84
drive cage, installing 33, 36
drive LEDs 16
drive numbering 14
drivers 111
drives 39
drives, determining status of 16

- drives, hot-plug 42
- drives, installation guidelines 39
- drives, installing 39, 40
- drives, non-hot-plug 40

E

- electrical grounding requirements 27
- electrostatic discharge 118
- embedded diagnostics, UEFI 106
- embedded UEFI diagnostics 106
- embedded UEFI shell 106
- enabling the Trusted Platform Module 83
- environmental requirements 25, 26
- environmental specifications 119
- Erase Utility 98, 102
- error messages 113
- EuroAsian Economic Commission 116
- European Union notice 116
- external USB functionality 108

F

- fan cabling 93
- fan connectors 11
- fan location 14
- fans, removing 25
- FBWC cabling 84
- FBWC module 49
- firmware 109, 111
- firmware update 103, 109, 110, 111
- firmware update application, System Utilities 109
- firmware update tools 109, 110
- firmware, updating 103, 109, 111
- firmware, upgrading 111
- flash ROM 110
- flashing the ROM 109, 110
- flexible boot control 104
- Foundation Care Services 112
- front bezel 20, 21
- front I/O cabling 97
- front panel buttons 7, 8
- front panel components 7
- front panel LED power fault codes 8
- front panel LEDs 8
- fwupdate command, embedded UEFI shell 109
- fwupdate utility 98, 109

G

- GPU supporting holder option 55
- GPU supporting holder, install 55

- grounding methods 118
- grounding requirements 27, 118
- GS gloss declaration 116, 117

H

- hardware options 33
- hardware options installation 29, 33
- health driver 107
- health LED 8
- help resources 121
- hot-plug power supply 74
- hot-plug power supply calculations 120
- HP Care Pack Services 25, 112
- HP Collaborative Support 112
- HP contact information 121
- HP iLO 98
- HP Insight Diagnostics 102
- HP Insight Diagnostics survey functionality 102
- HP Insight Online 98, 101
- HP Insight Online direct connect 101
- HP Insight Remote Support software 101, 112
- HP Proactive Care 112
- HP RESTful API 100, 106
- HP Service Pack for ProLiant 98, 102, 103
- HP SIM (HP Systems Insight Manager) 100, 102
- HP Smart Storage Administrator (HP SSA) 107
- HP Smart Storage Battery 53
- HP Smart Storage Battery cabling 92
- HP Smart Update Manager overview 98, 103
- HP SmartDrive LED definitions 16
- HP SmartMemory 64
- HP SSA (HP Smart Storage Administrator) 98, 107
- HP Support Center 112
- HP Support Materials 109
- HP Systems Insight Manager (SIM) 100, 102
- HP technical support 112, 121
- HP Trusted Platform Module option 80
- HP website 121

I

- identifying components 7
- identifying the server shipping carton contents 28
- iLO (Integrated Lights-Out) 98, 99, 100
- iLO 4 (Integrated Lights-Out 4) 98, 100
- iLO activity LED 10
- iLO connector 7
- iLO link LED 10
- IML (Integrated Management Log) 98, 100
- Insight Diagnostics 102, 109

- Insight Online direct connect 101
- installation services 25
- installation, server options 29, 33
- installing hardware 33
- installing server 29
- installing server blade options 33
- installing server options 29, 33
- integrated array controller 43
- Integrated Lights-Out (iLO) 98, 100
- Integrated Management Log (IML) 100
- Intelligent Provisioning 98, 101, 102, 104
- internal USB connector 11, 107

L

- LED, health 8
- LED, system power 8
- LEDs, drive 16
- LEDs, front panel 8
- LEDs, NIC 8
- LEDs, power fault 8
- LEDs, power supply 10
- LEDs, rear panel 10
- LEDs, unit identification (UID) 8
- legacy USB support 107

M

- maintenance guidelines 109
- memory 65, 67
- memory configurations 67
- memory dump 13
- memory subsystem architecture 65
- memory, Advanced ECC 67
- memory, configuration requirements 66
- memory, configuring 67
- memory, maximum supported 66
- memory, online spare 67
- microSD card slot 11
- microSD to USB adapter 63
- Mini-SAS cable 43, 45
- Mini-SAS cabling 84, 85, 88
- modes 98

N

- NIC activity LED 8
- NIC connectors 7
- NIC link LED 8
- NMI functionality 13
- NMI header 13
- non-hot-plug drives, installing 40

- non-hot-plug power supply 120
- notification actions 112

O

- online flash components 109, 110
- online spare memory 67, 68
- online spare population guidelines 67, 68
- operating environment, recommended 25
- operating system crash 13, 107
- operating system installation 31, 112
- operating system version support 111, 112
- operating systems 111, 112
- operating systems supported 102, 111, 112
- operations 18
- optical drive 7, 58
- optical drive blank 58
- optical drive cabling 93
- optimum environment 25
- Optional Installation Services 25
- options installation 29, 33

P

- PCI air baffle 22
- PCI fan 60
- PDU (power distribution unit) 27
- POST error messages 113
- power cabling 95
- power calculator 27, 120
- power distribution unit (PDU) 27
- power fault 8
- Power On/Standby button 7, 8
- power requirements 27
- power supply cabling 95
- power supply calculations 120
- power supply specifications 120
- power supply, hot-plug 74, 120
- power supply, non-hot-plug 120
- powering down 18
- powering up 18
- power-on password 12
- preparation procedures 18
- proactive notification 112
- problem diagnosis 113
- Product ID 106
- PXE (preboot execution environment) 103

Q

- QR code label 104
- QuickSpecs 43, 48, 98

R

- rack installation 25, 30
- rack warnings 30
- RAID configuration 107
- rear panel components 9
- rear panel LEDs 10
- recommended ambient operating temperature (TMRA) 26
- recovery key 83
- redundant power supply 74
- redundant power supply cabling 96
- redundant ROM 108
- re-entering the server serial number 106
- registering the product 32
- registering the server 32
- regulatory compliance notices 116
- requirements, airflow 25
- requirements, electrical grounding 27
- requirements, environmental 25, 119
- requirements, power 27
- requirements, site 25
- requirements, space 25
- requirements, temperature 26
- RoHS 117
- ROM legacy USB support 107
- ROM redundancy 108
- ROM-Based Setup Utility (RBSU) 104
- ROMPaq utility 108
- RPS enablement option 74

S

- safety considerations 108, 116, 118
- safety information 108, 116
- scripted installation 103
- scripting toolkit 98, 103
- secure boot configuration 105
- security 108
- serial number 106
- server blade options, installing 33
- server features and options 33
- Server mode 98
- server options, installing 29, 33
- server setup 25, 32, 109
- server specifications 119
- server warnings and cautions 27
- Service Packs 103
- setup 25
- shipping carton contents 28
- site requirements 25

- Smart Update Firmware DVD 101
- Smart Update Manager 98, 103
- software 111, 112
- software upgrades 111
- space and airflow requirements 25
- space requirements 25
- specifications, environmental 119
- specifications, power supply 120
- specifications, server 119
- SPP 102, 103
- static electricity 118
- storage cabling, hot-plug 85, 88
- storage cabling, non-hot-plug 84
- storage controller 12, 48
- supported operating systems 111, 112
- system air baffle 23, 24
- system battery 116, 118
- system board components 11
- system configuration settings 12, 108
- System Erase Utility 102
- system fan 61
- system maintenance switch 12
- system ROM 109, 110
- system, keeping current 109

T

- technical support 112, 121
- technology services 112
- temperature requirements 26, 119
- TMRA (recommended ambient operating temperature) 26
- tower server, setting up 29
- TPM (Trusted Platform Module) 80, 83
- TPM connector 11
- troubleshooting 113
- troubleshooting resources 113
- troubleshooting, firmware upgrade utility 113
- Trusted Platform Module (TPM) 80, 83
- Turkey RoHS material content declaration 117

U

- UEFI 31
- UEFI System Utilities 31, 104
- UEFI, boot mode 31
- UEFI, server profile 106
- UID (unit identification) 7, 8, 10
- UID button 8
- UID LED 7
- Ukraine RoHS material content declaration 117

- uninterruptible power supply (UPS) 27
- updating firmware 109
- updating the firmware 109, 110
- updating the system ROM 108, 109, 110
- UPS (uninterruptible power supply) 27
- USB (universal serial bus) 63, 107
- USB connector 7
- USB support 107
- utilities 98, 104, 107
- utilities, deployment 98, 103

V

- VCA (Version Control Agent) 111
- VCRM (Version Control Repository Manager) 111
- ventilation 25
- Version Control Agent (VCA) 111
- Version Control Repository Manager (VCRM) 111
- Virtualization option 112

W

- warnings 27, 30
- warranty information 117
- website, HP 121