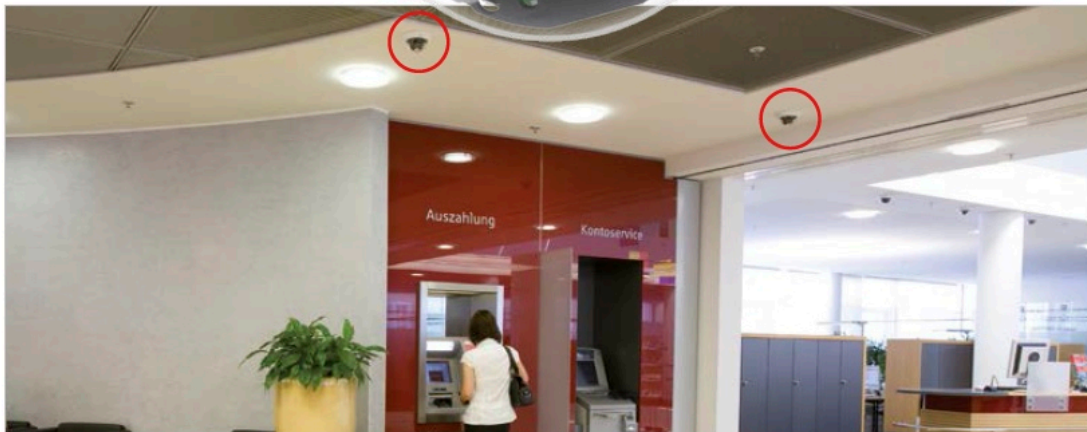


MOBOTIX D25 6MP Dome Camera



Traditional Design. Innovative Technology.

Bringing unprecedented technology and video performance to a traditional dome camera form factor. The MOBOTIX D25 offers the same advanced engineering and innovative technology of all the MOBOTIX cameras.

Technical specifications subject to change without notice

Technical specifications subject to change without notice. For more information on the D25 and on the entire range of MOBOTIX products, such as prices, manuals, video management software for computers and iOS devices, etc., please go to www.mobotix.com > **Products**. Or contact us by phone (+49 6302 9816-103) or email (sales@mobotix.com).



Traditional Yet Innovative

Beneath the traditional dome interior is a powerful VMS-enabled hardware platform with decentralized recording management and a 6MP image sensor for high-quality video capture.



In-Ceiling Mount

The in-ceiling mount kit allows the D25 to be mounted into a ceiling tile for a low-profile dome installation that blends into the surrounding environment.



Vandalism Set

Protect your camera investment with this tough vandalism set comprised of a high-tensile stainless steel outer ring and a 3 mm/0.1 in. polycarbonate dome. All vandalism sets have an IK10 impact rating.



Intercom Expansion

By combining the D25 with an ExtIO (see page 58), you can create a powerful 2-way intercom system that integrates seamlessly with your PC, Mac or iOS devices.

Technical Data

Lens Options	B036 to B237	Min. Light Sensitivity	Day Sensor: 0.1 lux at 1/60 sec Night Sensor: 0.02 lux at 1/60 sec
Image Sensors	1/1.8" CMOS (6MP) Day (Color) or Night (B&W)	Sensor Resolution	6MP: 3072x2048 pixels (Color/B&W)
Max. Frame Rate (MxPEG)	MEGA/HD: 30 fps, QXGA: 15 fps, 6MP: 8 fps	Compression	MxPEG, M-JPEG, JPEG, H.264 (SIP video only)
DVR Recording	Internal: microSD Card External: PC/NAS	Audio (ExtIO required)	Integrated microphone & speaker, VoIP, intercom, sound recording via ExtIO
Operating Conditions	IP65/66 and IK09/10 (without/with vandalism kit), -30 to +50 °C	Internal Sensors	Temperature, illumination, shock detector
Image Processing	MxActivitySensor, VMD, image correction, backlight, MxAnalytics	Software (free of charge)	MxManagementCenter, MOBOTIX App



D25 – Technical Specifications

Security-Vision-Systems

MOBOTIX

Camera Variants	D25 Day	D25 Night
Lenses, Sensors		
Fisheye Lens MX-B016 (Hemispheric, 180° x 180°)	–	–
Ultra Wide Lens MX-B036 (103° x 77°)	MX-D25-D036	MX-D25-N036
Super Wide Lens MX-B041 (90° x 67°)	MX-D25-D041	MX-D25-N041
Wide Lens MX-B061 (60° x 45°)	MX-D25-D061	MX-D25-B061
Standard Lens MX-B079 (45° x 34°)	MX-D25-D079	MX-D25-N079
Tele Lens MX-B119 (31° x 23°)	MX-D25-D119	MX-D25-N119
Distant Tele Lens MX-B237 (15° x 11°)	MX-D25-D237	MX-D25-N237
Super Tele Lens MX-B500 (8° x 6°)	–	–
CS-Vario Lens MX-B045-100-CS (39°-89° x 29°-65°)	–	–
Camera Module (Body), lens can be orderd separately	MX-D25-BOD1	MX-D25-BOD1-N
Image sensor with individual exposure zones	Color	B/W
Sensor sensitivity in lux at 1/60 s /1 s	0,1/0,005	0,02/0,001
Image sensor resolution (color or BW sensor)	6MP (3072 x 2048)	6MP (3072 x 2048)

Hardware Functions		
Protection class	IP65 and IK09 (IK10 with vandalism set)	IP65 and IK09 (IK10 with vandalism set)
Ambient temperature (range)	-30 to +50°C/-22 to +122°F	-30 to +50°C/-22 to +122°F
Temporary internal DVR	64 MB	64 MB
Internal DVR, ex works	4 GB (microSD)	4 GB (microSD)
Microphone/speaker	With accessory (ExtIO)	With accessory (ExtIO)
Passive infrared sensor (PIR)	–	–
Integrated temperature sensor	•	•
Shock detector	•	•
Power consumption (typical)	< 4,5 watts	< 4,5 watts
Variable PoE class (factory default: 3)	2 or 3	2 or 3
Interfaces Ethernet/MxBus/USB	•/•/•	•/•/•
Interfaces IO and RS232	With accessory (e.g., MX-232-IO-Box)	With accessory (e.g., MX-232-IO-Box)

Image Formats, Frame Rates, Image Storage		
Maximum image format	6MP (3072 x 2048)	6MP (3072 x 2048)
Maximum frame rate (MxPEG, max. resolution)	8 fps (6MP)	8 fps (6MP)
CIF images with 4 GB MicroSD DVR	250,000	250,000
VGA images with 4 GB MicroSD DVR	125,000	125,000
HD images with 4 GB MicroSD DVR	40,000	40,000
QXGA images with 4 GB MicroSD DVR	20,000	20,000



D25 – Technical Specifications

Security-Vision-Systems



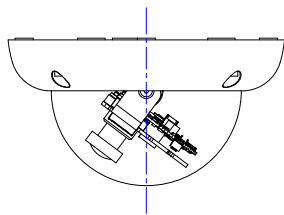
Camera Variants	D25 Day	D25 Night
General Functions		
Digital zoom (continuous) with panning	•	•
Codecs: Motion-JPEG/MxPEG/H.264 for SIP	•/•/•	•/•/•
Programmable exposure zones	•	•
Snapshot recording (pre/post-alarm images)	50	50
Terabyte ring buffer storage (internal/network)	•	•
Continuous recording with sound (0.2 to 30 fps)	•	•
Event recording with sound (via ExtIO)	•	•
Time and event control/flexible event logic	•/•	•/•
Weekly schedules/holidays	•	•
Web functionality (FTP, email)	•	•
Playback/QuadView and MultiView	•/•	•/•
Bidirectional sound in browser (via ExtIO)	•	•
Logo generator, animated	•	•
Master/Slave arming	•	•
Several scheduled privacy zones	•	•
Customized voice messages	•	•
VoIP telephony (audio/video, alert – via ExtIO)	•	•
Remote alarm notification (network message)	•	•
Signal inputs/outputs and RS232 via MxBus module	•	•
Programming interface (HTTP API)	•	•
Security Features (HTTPS/S/L, IP-based access control, IEEE 802.1X network authentication)	•	•
Video Analysis		
Video motion detector	•	•
MxAnalytics	•	•
MxActivitySensor	•	•
Video Management Software		
MxManagementCenter	•	•
MOBOTIX App (iOS)	•	•

- available ex works
- not available

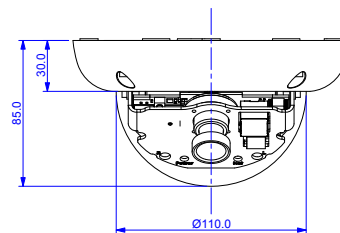


(Delivered parts – excerpt from the technical documentation: www.mobotix.com > Support > Manuals)

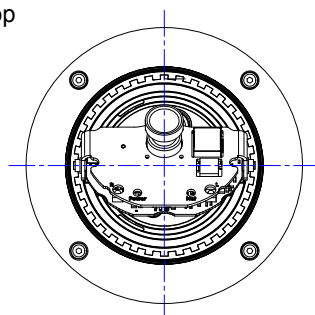
Side



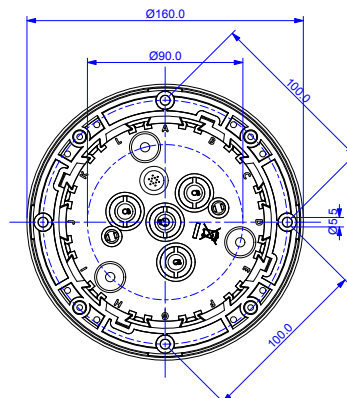
Front



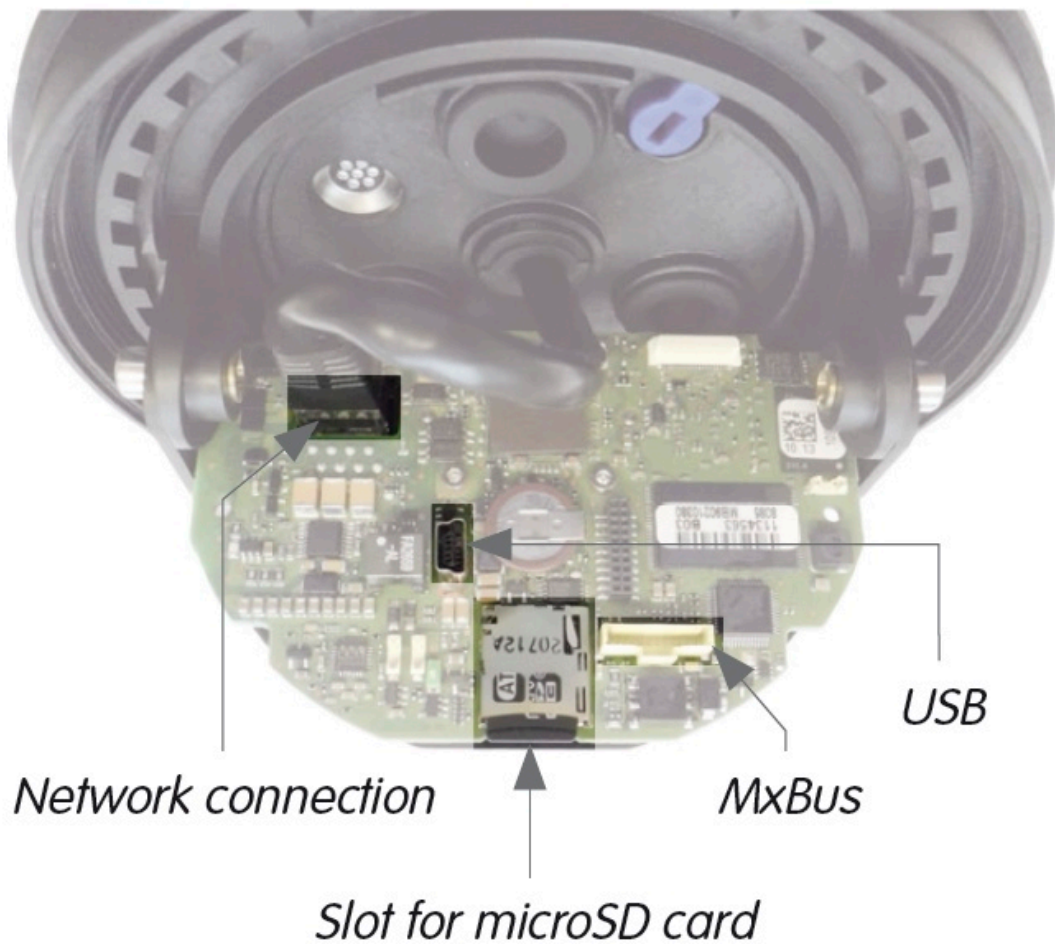
Top



Bottom



(Excerpt from technical drawings and 3D views: www.mobotix.com > Support > Image Database)



(D25 – Camera housing and connectors, excerpt from the technical documentation)