

2014



AQUA  LUNG®



AQUA LUNG



AQUA LUNG®

FINS

MASKS

SNORKELS

LIGHTS

KNIVES

ACCESSORIES

FINS



X SHOT

SIZES SMALL REGULAR X-LARGE

The XShot Fins are an evolution in diving. Technologies proven successful with the Slighshot and Hotshot fins have been incorporated into the XShot to offer the ultimate in comfort and performance through innovations such as the mid-foot pivot to eliminate foot and toe fatigue often experienced by divers and the "Power Transmission Zone" for efficient kicking. The XShot comes standard with the Aqua Lung Spring Straps for easy don and doffing. This fin is the ultimate in hybrid technologies, offering an easy kicking fin for your dives while providing optimal power with each kick.



ANTI SLIP RUBBER PADS



V BOOSTERS
load and release your energy
during kicking



TECHNICAL FEATURES

- The Power Zone, located in front of the foot pocket, features integrated "V Boosters", providing optimal power with each kick
- The Power Zone provides the diver a mid-foot pivot point on the fin, minimizing fatigue and maximizing energy transfer to the blade
- The foot pocket is equipped with the "Power Transmission Zone". This anchors the foot preventing unnecessary stretching of the foot pocket on the power stroke resulting in maximum energy transmission
- A new spring strap offers a soft heel pad along with Aqua Lung's own proprietary buckles
- The blade contains a high performance elastomer resulting in high efficiency
- An elastic blade insert creates a "spoon effect" that pushes more water with each down stroke adding to efficiency
- A customized inner sole provides a grip effect. This prevents wasting power from the boot moving laterally inside the boot pocket



SIZES SMALL REGULAR LARGE

WOMEN 

SHOT FX

Part of the Aqua Lung Women's Collection, the ShotFX Fins have taken technologies proven successful with the Slightshot and Hotshot fins and incorporated them into a Women's specific fin. The ShotFX foot pockets are specifically sized for women and the blade stiffness increases with size. This offers women divers their choosing of blade stiffness, depending on their style of diving. Other innovations, such as the mid-foot pivot to eliminate foot and toe fatigue often experienced by divers and the "Power Transmission Zone" for efficient kicking. The ShotFX comes standard with the Aqua Lung Spring Straps, with a soft TPR heel pad, for easy don and doffing.



ANTI SLIP RUBBER PADS



V BOOSTERS load and release your energy during kicking



TECHNICAL FEATURES

- The Power Zone, located in front of the foot pocket, features integrated "V Boosters", providing optimal power with each kick
- The Power Zone provides the diver a mid-foot pivot point on the fin, minimizing fatigue and maximizing energy transfer to the blade
- The foot pocket's design, compounds and sizing are dedicated to women's feet resulting in greater comfort
- The Shot FX has a dedicated blade that is shorter and softer than traditional fins. This makes them easier to kick
- A new spring strap offers a soft heel pad along with Aqua Lung's own proprietary buckles
- The foot pocket is equipped with the "Power Transmission Zone". This anchors the foot preventing unnecessary stretching of the foot pocket on the power stroke resulting in maximum energy transmission
- The blade contains a high performance elastomer resulting in high efficiency
- An elastic blade insert creates a "spoon effect" that pushes more water with each down stroke adding to efficiency
- A customized inner sole provides a grip effect. This prevents wasting power from the boot moving laterally inside the boot pocket

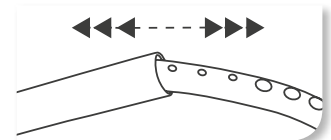
Robust, unbreakable and easy to adjust. One universal size!

NEW PRODUCT

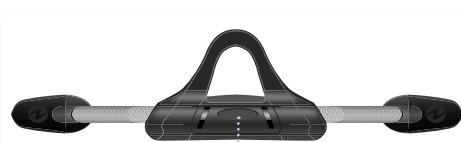


TECHNICAL FEATURES

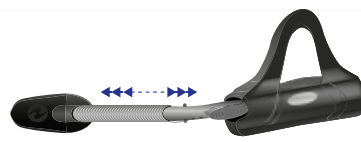
- Spring material: stainless steel
- Heel pad material: soft TPR
- Easy snap-fit to adjustable fins
- Internal adjustment
- One universal size fits all



with internal micro-adjustment



1 Press on the central logo



2 Pull the spring strap to remove it from the heel pad



3 Adjust the strap length to the desired position and replace it in the heel pad

ADJUSTABLE SPRING STRAP



SLINGSHOT

SIZES SMALL REGULAR X-LARGE

A highly versatile fin, the Slingshot allows divers to frequent a wide range of conditions, from diving in cold water with thick exposure suits and heavier gear to cruising warm water reefs with minimal equipment. Silicone Power Bands and a Three-Speed Gear Shift allow divers to dial in the best speed-to-effort ratio and match the Slingshot to changing dive conditions and their own leg strength.



TECHNICAL FEATURES

- A semi-rigid, technopolymer blade has an excellent spring effect for maximized thrust
- Blade ribs are made of two different elastomeric compounds and provide precise flex control
- Silicone Power Bands are loaded with energy during the down stroke, which they release prior to the upstroke for a power boost on every kick
- Three-Speed Gear Shift allows divers to dial in Power Band resistance for their body type or changing diving conditions, and adjustments can be made while wearing the fin
- A Mid-foot Flex Joint is used to attach the blade to the side of the foot pocket. This maximizes energy transfer from the leg and provides the power of a blade 30% longer
- The Mid-foot Flex Joint provides a greater range of blade motion, up to five times that of a standard paddle fin, and reduces strain on the ankle and toes
- Anti-slip rubber pads on the bottom of the foot pocket provide traction for moving around on boat decks
- Streamlined foot pocket provides an ergonomic fit for excellent energy transfer and accommodates a wide range of dive boots
- ESBS (Ergonomic Strap and Buckle System) uses a press-to release button that is easily operated, even while wearing thick gloves
- Rubber heel straps are made with anti-aging compounds and have large finger loops at each end and in the middle for easy donning, even when wearing heavy gloves

HOT SHOT

SIZES SMALL REGULAR X-LARGE

The ultimate warm-water travel companion, the Hot Shot delivers the power needed for scuba diving in a compact fin that packs easily into carry-on luggage. A lightweight, technopolymer blade incorporates adjustable silicone Power Bands to maximize thrust and bands can be adjusted during the dive to meet changing conditions. Supple foot pockets are designed for use with bare feet and Comfo-straps are buckle-free and self-adjusting.



TECHNICAL FEATURES

- A semi-rigid, technopolymer blade has an excellent spring effect for maximized thrust.
- Silicone Power Bands are loaded with energy during the down stroke, which they release prior to the upstroke for a power boost on every kick.
- Twin-Speed Gear Shift allows each diver to dial in Power Band resistance for their body type or changing diving conditions, and adjustments can be made while wearing the fin.
- A Mid-foot Flex Joint is used to attach the blade to the side of the foot pocket. This maximizes energy transfer from the leg and provides the power of a blade 30% longer.
- Blade ribs are made of two different elastomeric compounds and provide precise flex control.
- The top and sides of the foot pocket are soft against bare skin yet allow neoprene socks or thin-soled boots to be worn for thermal protection.
- Self-adjusting Comfo-straps allow fast donning and eliminate the need for buckles, minimizing drag.
- Anti-slip rubber pads on the bottom of the foot pocket give traction for moving around on boat decks.
- Overall length of 20.9 in. / 53 cm fits easily into carry-on luggage, such as the Departure bag from Deep See.
- Size regular weighs just 3.28 lbs / 1.5 kg





SIZES SMALL REGULAR X-LARGE

The heart of the Express ADJ is a highly elastic "armadillo" hinge at the base of the blade. Like the Power Bands of the Slingshot, it absorbs energy during the power stroke and releases at the end of the kick cycle to maximize thrust. These open-heel fins are an excellent choice for cold and temperate water divers who need a powerful, compact blade.

TECHNICAL FEATURES

- Armadillo membrane at the base of the blade absorbs energy during the down stroke, and releases prior to the upstroke for a power boost on every kick.
- Rubber side ribs channel water down the length of the fin, minimizing wasted energy from the spill-over effect.
- A Mid-foot Flex Joint is used to attach the blade to the side of the foot pocket. This maximizes energy transfer and reduces strain on the ankles and toes.
- ESBS (Ergonomic Strap and Buckle System) uses a press-to release button that is easily operated, even while wearing thick gloves.
- Rubber heel straps are made with anti-aging compounds and have large finger loops at each end and in the middle for easy donning, even when wearing heavy gloves.
- Streamlined foot pocket provides an ergonomic fit for excellent energy transfer and accommodates a wide range of dive boots.
- Anti-slip rubber pads on the bottom of the foot pocket give traction for moving around on boat decks.



EXPRESS ADJ



Anti-slip rubber pads

ESBS



Ergonomic Strap and Buckles System
Quick release buckles
Easy adjustment



"Heavy Duty Rings"
Facilitate the strap placement and adjustment, even wearing gloves



STRATOS ADJ

SIZES SMALL REGULAR X-LARGE

NEW
STYLE



An excellent choice for divers entering the sport, the Stratos ADJ is easy to kick. The dual-material blade is designed to quickly reach the optimal angle needed to move water quickly and efficiently. This highly durable fin is a popular choice for resort rental programs.



ANTI SLIP RUBBER PADS



HI-VIS TECHNOLOGY
Hot lime and orange colors realized with this technology ensure great visibility underwater



TECHNICAL FEATURES

- COMFORTABLE AND ROBUST FOOT POCKET made of a single material with two different thicknesses, the monolithic structure improves strength and comfort. Ideal for Diving Centers. All black design.
- Dual-material blade
- GRIP EFFECT: a special finishing on the inner sole improves boot stability
- The Bending Zone between the blade and foot pocket allows the blade to quickly reach the optimal inclination for propulsion and water channeling
- RUBBER SIDE RIBS: independent from the foot pocket, they are molded with a dedicated material. New lightened design. These new features ensure a better efficiency, in terms of flexibility and performance
- Quick Release buckles are easy to operate and make exiting the water hassle free.
- Ergonomic straps adjust easily, even while wearing thick gloves.

SIZES SMALL REGULAR LARGE

Caravelle ADJ fins are made of flexible thermoplastic material and rubber. The blade has an effective thrust structure that allows high performance with a minimum effort. The foot pocket is soft and comfortable.



The fin blade is very flexible with excellent thrust.

TECHNICAL FEATURES

- . Type: adjustable
- . Buckles: Quick Release



CARAVELLE ADJ

SIZES from 36/37 to 46/47

With the power for scuba diving and the sleek lines of a snorkeling fin, the Express is an excellent choice for warm water. The highly elastic "armadillo" hinge at the base of the blade absorbs energy during the power stroke and releases at the end of the kick cycle to maximize thrust. The blade is attached to the foot pocket using the Mid-Foot Flex Joint for efficient energy transfer and reduced leg strain.



Anti-slip rubber pads



TECHNICAL FEATURES

- . Customized techno-polymer alloy blade has a high spring effect and flexibility for excellent responsiveness and acceleration
- . Armadillo membrane at the base of the blade absorbs energy during the power stroke, and releases prior to the upstroke for a power boost on every kick
- . Rubber side ribs channel water down the length of the fin, minimizing wasted energy from the spill-over effect
- . A Mid-foot Flex Joint is used to attach the blade to the side of the foot pocket for efficient energy transfer and reduced strain on the ankles and toes
- . Ergonomic foot pocket uses rubber of varying elasticity for a natural fit and comfortable, efficient kicking
- . Integrated power transmission belt keeps foot pocket from stretching on power stroke
- . Anti-slip rubber pads on the bottom of the foot pocket provide traction for moving around on boat decks



EXPRESS



STRATOS

SIZES from 36/37 to 46/47

The ideal fin for those who prefer to dive bare foot or with light booties. The anatomically shaped foot pocket enhances comfort and performance. The blade varies in thickness. The side ribs transmit the stroke effort from foot to blade without bending.



HI-VIS TECHNOLOGY
Hot lime and orange colors realized with this technology ensure great visibility underwater

TECHNICAL FEATURES

- Type: foot pocket



CARAVELLE

SIZES from 28/29 to 46/47

With a forgiving blade ideal for long snorkeling sessions—and suitable for diving—the Caravelle is an easy choice for warm water trips. The specially formulated blade material is lightweight, delivering the power of a larger fin, and its supple, anatomical foot pocket is easy to slip on and off.



HI-VIS TECHNOLOGY
Hot lime and orange colors realized with this technology ensure great visibility underwater

TECHNICAL FEATURES

- Specially formulated blade material is highly responsive, snapping back in each kick cycle for maximized thrust
- Lightweight blade reduces kicking effort and is comfortable for long snorkeling sessions and warm water diving
- Rubber side ribs channel water down the length of the fin, minimizing wasted energy from the spill-over effect
- Supple foot pocket is anatomically shaped for all-day comfort
- Fin blade extends below the heel to improve leverage and power transmission while reducing stress on the arch
- Entire blade armored with a rubber border for maximum durability



AQUA LUNG MASKS TECHNICAL FEATURES



MICROMASK TECHNOLOGY

The one-piece moulded structure of the mask creates a minimal inner volume together with a wide field of vision.



ADVANCED FIT TECHNOLOGY (AFT)

Alternating matt and polished zones on the skirt of the mask create an even more water-tight seal for the wearer. The comfort of the mask is also enhanced, avoiding marking around the eyes after diving.



CARDANIC JOINT BUCKLES

The buckles rotate both up-and-down and in-and-out for a customized and pinch-free fit. Counterposed push button activation makes strap adjustment quick and easy and securely holds the strap in place once set. The system is also easy to use when wearing gloves.



COMFORT BUCKLE SYSTEM (CBS)

This innovative system helps the diver to avoid hair getting entangled in the buckle mechanism.



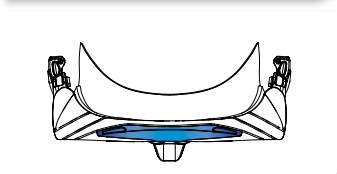
HI-VIS TECHNOLOGY

The brightly coloured circlips on the mask help to ensure that the diver can be easily seen underwater.



LENS QUICK RELEASE (LQR) SYSTEM

Fast and easy replacement of the optical lenses.



ANTI-TORSION BAR

Stainless steel (AISI 316) anti-torsion bar integrated in the frame structure for maximum dimensional stability and lens planarity. It ensures best visibility without any distortion and durability.



TECHNICAL FEATURES	IMPRESSION	LINEA	MICROMASK	INFINITY	LOOK HD	LOOK 2	LOOK 2 MIDI	LOOK	TEKNIKA	FAVOLA	SPHERA	VENTURA +	VENTURA
MICROMASK TECHNOLOGY	•	•	•										
ADVANCED FIT TECHNOLOGY	•	•			•								
CARDANIC JOINT BUCKLES	•	•	•	•	•	•	•		•	•		•	
COMFORT BUCKLES SYSTEM	•												
LEVER BUCKLES													•
HI-VIS TECHNOLOGY					•								
LENS QUICK RELEASE SYSTEM					•	•	•						
ANTI-TORSION BAR					•								
BLACK SILICONE	•	•	•	•	•	•	•	•	•	•	•	•	•
TRANSPARENT SILICONE	•	•	•	•	•	•	•	•	•	•	•	•	•

MASKS



IMPRESSION

The Impression delivers a wide-angle view in an ultra-compact package. Modeled with Aqua Lung's "Micromask Technology", its innovative, patented structure positions the lenses close to the eyes. This significantly improves peripheral vision while maintaining an incredibly low internal volume. Aqua Lung's "Advanced Fit Technology" uses textured bands of silicone around the skirt to form a superior seal against the face and minimizes water entry. The Impression is effortless to clear and its low profile is ideal for freedivers or any diver that wants to reduce in-water drag.



CE

AFT



Advanced Fit Technology

TECHNICAL FEATURES

- Patented design places lenses close to the face for vastly improved field-of-view
- Ultra low internal volume makes clearing fast and nearly effortless. It also reduces the upward pull caused by the buoyancy of a larger air space
- Advanced Fit Technology (AFT) uses bands of different textures around the edge of the skirt resulting in a superior seal against the face
- The mask skirt goes further back on the face increasing the contact surface between face and silicone skirt. This enhances the comfort and reduces the marks left behind on the face
- Compact shape reduces in-water drag and improves stability, especially when diving in a strong current
- Cardanic Joint Buckles rotate both up-and-down and in-and out for a customized and pinch-free fit
- Counter-posed push button activation makes strap adjustments fast and holds the strap securely in place once set. The system is also easy to use when wearing gloves
- Wide headpiece on silicone strap conforms to the user's head to ensure a comfortable, secure fit
- High-grade silicone material allows the facial skirt to flex and naturally mold around facial contours for a leak-free seal
- Shatterproof, tempered glass lenses suitable for diving and snorkeling meet ANSI standards





WOMEN 

As part of the Women's Collection, the Linea offers features to women unsurpassed in a mask. The "Comfort Buckle System" solves what so many women have asked for – a tangle free buckle! The Linea delivers a wide-angle view in an ultra-compact package. Modeled with Aqua Lung's "Micromask Technology", the close proximity of the lenses to the eyes significantly improves peripheral vision while maintaining an incredibly low internal volume. Aqua Lung's "Advanced Fit Technology" uses textured bands of silicone around the skirt to form a superior seal against the face and minimizes water entry, as well as, reduces those lines left on your face after a dive. The Linea is effortless to clear and its low profile is ideal for freedivers or any diver that wants to reduce in-water drag.

LINEA



CE



NEW COLOUR

TECHNICAL FEATURES

- . The clever Comfort Buckle System (CBS) prevents the diver's hair from getting tangled in the buckles
- . Patented design places lenses close to face for vastly improved field-of-view
- . Ultra low internal volume makes clearing fast and nearly effortless. It also reduces the upward pull caused by the buoyancy of a larger air space
- . Advanced Fit Technology (AFT) uses bands of different textures around the edge of
 - . the skirt resulting in a superior seal against the face
 - . The mask skirt goes further back on the face increasing the contact surface between
 - . face and silicone skirt. This enhances the comfort and reduces the marks left behind
 - . on the face
- . Compact shape reduces in-water drag and improves stability, especially when diving in a strong current
- . Cardanic Joint Buckles rotate both up and-down and in-and-out for a customized and pinch-free fit
- . Counterposed push button activation makes strap adjustments fast and holds the strap securely in place once set. The system is also easy to use when wearing gloves
- . Wide headpiece on silicone strap conforms to the user's head to ensure a comfortable, secure fit
- . High-grade silicone material allows the facial skirt to flex and naturally mold around facial contours for a leak-free seal
- . Shatterproof, tempered glass lenses suitable for diving and snorkeling meet ANSI standards





The Micromask delivers a wide-angle view in an ultra-compact package. Its innovative, patented structure positions the lenses inside the "ocular orbit" or the natural facial recesses of the eyes. This close proximity of the lenses to the eyes significantly improves peripheral vision while maintaining an incredibly low internal volume. The Micromask is effortless to clear and its low profile is ideal for freedivers or any diver that wants to reduce in-water drag.



TECHNICAL FEATURES

- Patented design places lenses in the ocular orbit for vastly improved field-of-view
- Ultra low internal volume makes clearing fast and nearly effortless. It also reduces the upward pull caused by the buoyancy of a larger air space
- Compact shape reduces in-water drag and improves stability, especially when diving in a strong current.
- Cardanic Joint Buckles rotate both up-and-down and in and-out for a customized and pinch-free fit
- Counterposed push button activation makes strap adjustments fast and holds the strap securely in place once set. The system is also easy to use when wearing gloves
- Wide headpiece on silicone strap conforms to the user's head to ensure a comfortable, secure fit
- High-grade silicone material allows the facial skirt to flex and naturally mold around facial contours for a leak-free seal
- Shatterproof, tempered glass lenses suitable for diving and snorkeling meet ANSI standards



Cardanic Joint Buckles

The patented Cardanic Joint Buckles rotate both up-and-down and in-and-out. They provide maximum adaptability and comfort to any head shape. The opposite push buttons activation makes the buckle easy to use, even when wearing gloves.



The Infinity gives divers the comfort and fit of a low-volume design, but its unique polymer side lenses also deliver the bright, open feel of larger multi-lens masks. Well suited to diving and snorkeling, its long list of features provides superior in-water comfort, including fast strap adjustments and easy clearing.



TECHNICAL FEATURES

- The close-to-the-eyes frame design naturally increases field-of-view with excellent coverage upwards and downwards
- Optical quality polymer side lenses deliver a high degree of light transmission for an open, bright feel underwater
- Cardanic Joint Buckles rotate both up-and-down and in and-out for a customized and pinch-free fit
- Counterposed push button activation makes strap adjustments fast and holds the strap securely in place once set. The system is also easy to use when wearing gloves
- Wide headpiece on silicone strap conforms to the user's head to ensure a comfortable, secure fit
- High-grade silicone material allows the facial skirt to flex and naturally mold around facial contours for a leak-free seal
- Shatterproof, tempered glass lenses suitable for diving and snorkeling meet ANSI standards



Lenses shape provides superior brightness and wide peripheral field of vision





The Look HD is likely the sturdiest mask ever offered to the dive industry. This new mask is the evolution of the most famous Aqua Lung Made In Italy mask, the Look born in 1988. Maintaining the key feature of its predecessor, the Look 100% silicone skirt, this new mask keeps providing the best fitting in the marketplace.

LOOK HD



HI - VIS
technology



Hot lime and orange colors

TECHNICAL FEATURES

- Advanced Fit Technology (AFT) integrated into the skirt design. Alternating matt and polished zones it ensures better water tight seal and comfort, avoiding marks on the skin.
- The dual-lens design is built around a frame made of innovative techno-polymers reinforced with inorganic fillers, offering great shock-resistance and durability.
- A 316 stainless steel anti-torsion bar integrated in the frame structure adds more durability and even an element of style to the Look HD. The steel insert ensures maximum dimensional stability and lens planarity for best visibility avoiding any kind of distortion.
- The patented Cardanic Joint Buckles rotate and bend in each direction of the 3D space, providing maximum adaptability and comfort to any head shape. The opposite push buckle buttons make the micrometric adjustment quick and easy.

- The circlips are made with the exclusive Hi-Vis Technology, which ensures a great visibility of the diver underwater. This particular feature is provided with yellow and orange color versions and makes the mask also ideal for Diving Centers use.
- The Look HD is designed to allow corrective lenses. Optical lenses are very easy to place and available both symmetrical negative from -1,00 up to -10,00 and positive (left and right) from +1,50 up to +3,00 (0,5 diopter increments).

LENS QUICK RELEASE SYSTEM

Symmetrical negative lenses
from -1,00 up to -10,00
(increments of 0,5 diopter)
Positive lenses (left and right)
from +1,50 up to +3,00
(increments of 0,5 diopter)



A user-friendly solution for those who need corrective lenses, the Look 2's unique, patent-pending frame allows divers to quickly change out lenses in a wide range of positive and negative diopters. The rugged, classically styled two-lens frame and skirt are excellent for a wide range of facial types.



LOOK 2 - LOOK 2 MIDI
TECHNICAL FEATURES

- Patent-pending frame makes it easy to change out corrective lenses available in a wide range of diopters
- Twin lens design has a low internal volume that reduces buoyancy in the water and eases clearing
- Cardanic Joint Buckles rotate both up and-down and in-and-out for a customized and pinch-free fit
- Counterposed push button activation makes strap adjustments fast and holds the strap securely in place once set. The system is also easy to use when wearing gloves
- Wide headpiece on silicone strap conforms to the user's head to ensure a comfortable, secure fit
- High-grade silicone material allows the facial skirt to flex and naturally mold around facial contours for a leak-free seal
- Shatterproof, tempered glass lenses suitable for diving and snorkeling meet ANSI standards

LENS QUICK RELEASE SYSTEM

If you wear glasses or corrective lenses, make the beautiful underwater seascapes even clearer with Look 2 diopter lenses. Look 2 masks can be fitted with user changeable optical lenses ranging from +3.0 to -10.0 diopter lenses.

LENS QUICK RELEASE (LQR) SYSTEM



- CBS - Comfort Buckle System



The MIDI version is ideal for small and slim faces





One of the best selling masks in the world



TECHNICAL FEATURES

- . Skirt: Silicone LSR, clear or black
- . Glass: 4 mm, tempered
- . Strap: Silicone
- . Buckles: Quick adjusting, rotating 360°
- . Weight: 209 g

LENS QUICK RELEASE SYSTEM

Symmetrical negative lenses from -1,00 up to -10,00 (increments of 0,5 diopter)
 Positive lenses (left and right) from +1,50 up to +3,00 (increments of 0,5 diopter)

Only the best Liquid Silicone Rubber (LSR) is used to make the skirt of the mask, providing maximum transparency and the best UV-ray resistance. Buckles rotate up to 360 degrees and allow immediate adjustment of the strap even while diving. Look can be easily transformed into an optical mask. This operation is tool-free.



A generous lens shape gives the low-volume, twin-lens Favola the feel of a more open single lens mask. The frame sets the lenses close to the eyes and angles them slightly downward for an excellent field of view, especially on the vertical plane. The Favola also makes it easy to see and manage accessories clipped to your BC.



TECHNICAL FEATURES

- . Uniquely shaped lenses deliver improved peripheral vision over all and are inclined for better viewing upwards and downwards.
- . Twin lens design has a low internal volume that reduces buoyancy in the water and eases clearing.
- . Cardanic Joint Buckles rotate both up-and-down and in and-out for a customized and pinch-free fit.
- . Counterposed push button activation makes strap adjustments fast and holds the strap securely in place once set. The system is also easy to use when wearing gloves.
- . Wide headpiece on silicone strap conforms to the user's head to ensure a comfortable, secure fit.
- . High-grade silicone material allows the facial skirt to flex and naturally mold around facial contours for a leak-free seal.
- . Shatterproof, tempered glass lenses suitable for diving and snorkeling meet ANSI standards.



NEOPRENE HEADPIECE



TECHNICAL FEATURES

- . Accessory that improves comfort. It fits directly on the mask strap.



Built to withstand the rigors of technical diving, the Teknika's two-piece shock resistant frame is assembled with AISI 304 stainless steel bolts and screws for superior strength. The twin-lens design provides an excellent field of view and the dark skirt eliminates distracting side-light, a feature many technical divers appreciate when spending long hours in the water.

CE



TECHNICAL FEATURES

- Shock-absorbing techno-polymer frame stands up to abuse on the dive deck and in the water.
- Stainless steel AISI 304 bolts and screws deliver incredible strength and resist corrosion from saltwater exposure.
- Mask skirt and buckles fold flat, making the Teknika easy to carry as a back-up mask in a BC pocket.
- Cardanic Joint Buckles rotate both up-and-down and in and-out for a customized and pinch-free fit.
- Counterposed push button activation makes strap adjustments fast and holds the strap securely in place once set. The system is also easy to use when wearing gloves.
- Wide headpiece on silicone strap conforms to the user's head to ensure a comfortable, secure fit.
- High-grade silicone material allows the facial skirt to flex and naturally mold around facial contours for a leak-free seal.
- Shatterproof, tempered glass lenses suitable for diving and snorkeling meet ANSI standards.

Popular among freedivers for its ultra-low profile, the Sphera blends the best qualities of dive and swim masks. A narrow bridge separates curved lenses that give divers a true 180-degree range of visibility while a sleek frame and trim buckles reduce drag while swimming.

CE



TECHNICAL FEATURES

- Patented Plexisol® lenses provide 100% UVA & UVB protection, a great plus for free divers spending time at the surface
- Curved lenses provide true 180-degree visibility for maximum awareness while swimming
- Anti-fog and scratch-resistant lens coatings deliver crystal clear viewing and improved durability
- Slimmed down mask strap and buckle system minimize drag and are easy to adjust, even when wearing gloves
- Weight: 98 g only



CE

Great designs stand the test of time, and the Ventura+ continues the tradition of a mask long used by divers around the globe. This updated version is available in new colors and adds the comfort and performance of Cardanic Joint Buckles to a classic, rugged frame.



TECHNICAL FEATURES

- Proven single-lens frame delivers a wide field-of-view and a nearly universal fit
- Cardanic Joint Buckles rotate both up-and-down and in and-out for a customized and pinch-free fit
- Counterposed push button activation makes strap adjustments fast and holds the strap securely in place once set. The system is also easy to use when wearing gloves
- Wide headpiece on silicone strap conforms to the user's head to ensure a comfortable, secure fit
- High-grade silicone material allows the facial skirt to flex and naturally mold around facial contours for a leak-free seal
- Shatterproof, tempered glass lens suitable for diving and snorkeling meets ANSI standards



Ventura is equipped with a 5 mm thick tempered glass which ensures stoutness and durability. Its silicone skirt fits most types of faces. Midi version is recommended for slim faces.



TECHNICAL FEATURES

- . Skirt: Silicone LSR, clear or black
- . Glass: 5 mm, tempered
- . Strap: Silicone
- . Buckles: Quick adjusting
- . Weight: 224 g

PACKAGING WITH MASK BOX



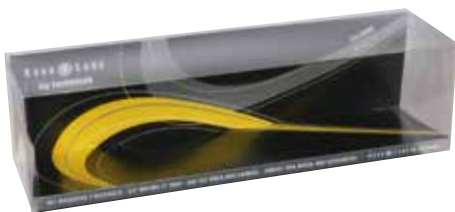
SET LOOK 2 + AIRFLEX P/V



SET LOOK + AIRFLEX P/V



SET FAVOLA + AIRFLEX P/V



PACKAGING



LOOK + MACH DRY



VENTURA + MACH DRY



VENTURA MIDI + HELIOX MIDI P/V



VENTURA MIDI + MIX JUNIOR



SNORKELS



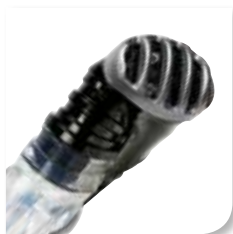
ZEPHYR

The Zephyr Snorkel was designed and is manufactured in the Aqua Lung facilities in Genoa, Italy. A splashguard and purge valve helps to eliminate water ingress and provides for easy clearing and an integrated corrugation zone make this a unique and stylish snorkel.

Splashguard.....



Anatomic mouthpiece (silicone)



EPV
Elliptical Purge Valve



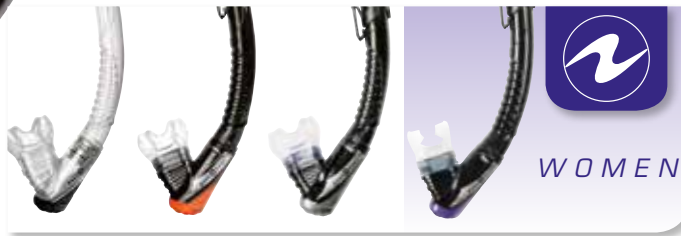
Hose Joint Rotation
Dry System

Elliptical Purge Valve



TECHNICAL FEATURES

- The Zephyr has a splashguard with a purge channel on the top of the snorkel to prevent water ingress
- There is an elliptical purge valve at the bottom for easy purging of any water that makes it past the upper splash guard and purge channel
- Integrated corrugation zone that allows for flexibility like a flex snorkel, but the rigidity of a non-flex
- The lower section rotates, allowing the user to get an ergonomic fit and allows for reduced jaw fatigue.
- Patented Comfobite mouthpieces, which does not require the user to clench their teeth, eliminate jaw fatigue
- An optional, smaller size Comfobite is available
- Comfobite mouthpieces are replaceable



TECHNICAL FEATURES

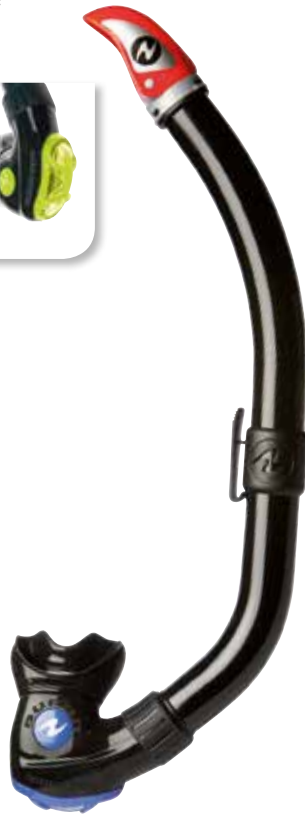
- . Type: Traditional
- . Tube: Anatomic
- . Mouthpiece: Orthodontic, clear or black
- . Materials: Thermoplastic and silicone
- . Valve system: Double
- . Colours: 7 clear; 4 black



Snorkels are equipped with anti-splash vent system. It rotates and can be swiveled, preventing water from getting into it accidentally



BURAN has two valves to discharge water quickly and easily. Valves are protected by a rigid grid



BURAN

TECHNICAL FEATURES

- . Type: Traditional
- . Tube: Anatomic
- . Mouthpiece: Orthodontic, clear or black
- . Materials: Thermoplastic and silicone
- . Valve system: Double
- . Colours: 4



AIR DRY PV

TECHNICAL FEATURES

- . Type: Traditional
- . Tube: Anatomic
- . Mouthpiece: Anatomic, clear or black
- . Materials: Thermoplastic and silicone
- . Colours: 4



AIR DRY

TECHNICAL FEATURES

- . Type: Traditional
- . Tube: Straight
- . Mouthpiece: Anatomic, clear
- . Materials: Thermoplastic
- . Colours: 4



MACH DRY

TECHNICAL FEATURES

- . Type: Traditional
- . Tube: Straight
- . Mouthpiece: Anatomic, black
- . Materials: Thermoplastic
- . Colours: 4



MIX JR

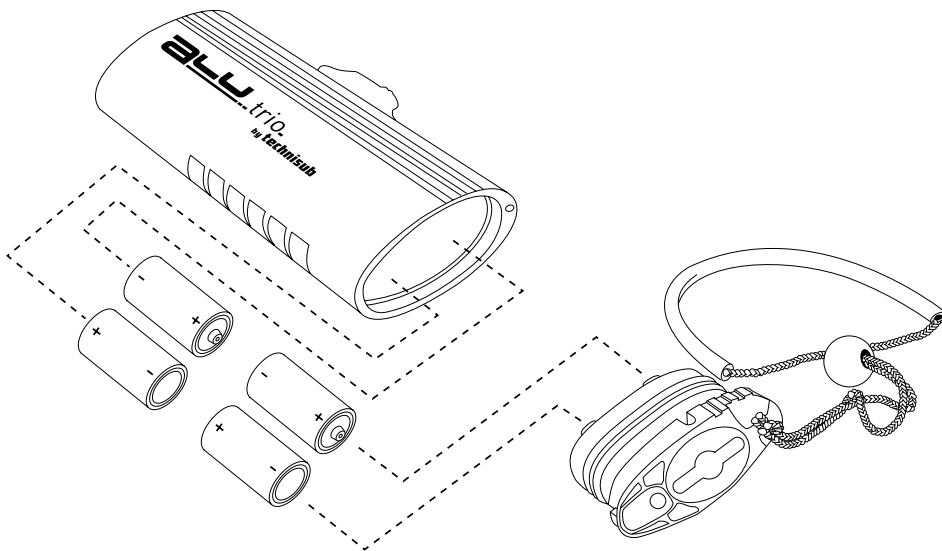


LIGHTS



ALU TRIO

The Alu Trio, besides being very powerful, has an elliptical shape so it fits nicely in a BC pocket. The heat sink, commonly found in the lens, has been engineered out, offering unobstructed light. This one hand operated light can be used with 4 AA-cell batteries with an output of 780 lumen. The Trio is easy to pack and perfect for local or travel diving.



3 LED Cree XL - M 400 Lumen



Pressure relief valve

TECHNICAL FEATURES

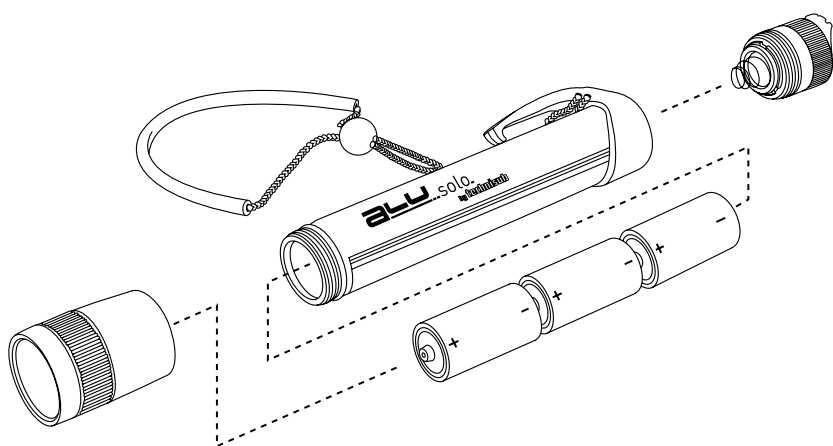
- . Light source: 3 LED Cree XL-M 700mA / 400 lumen each
- . Beam angle is 15° / Focal distance is 5m
- . Torch body: anodized aluminum alloy
- . Powered by: 4 AA-cells
- . Switch: self-locking so you do not accidentally discharge your batteries in your gear bag
- . Magnetic sliding switch does not penetrate the case, which eliminates a potential leak path
- . One-hand operated for ease of use
- . Dimensions: 185 x 78 x 36 mm
- . Weight in water: 166g (6oz.)
- . Maximum operative depth: 300m (1000 ft)





ALU SOLO

The Alu Solo is a powerful and compact light. The ALU series from Aqua Lung is unique in that the heat sink commonly found in the lens has been engineered out, offering unobstructed light. With 400 lumen, the Solo is easy to pack and perfect for local or travel diving.



1 LED Cree XL - M 400 Lumen



Mechanical switch

TECHNICAL FEATURES

- . Light source: 1 LED Cree XL-M 700mA / 400 lumen
- . Beam angle is 20° / Focal distance is 5m
- . Torch body: anodized aluminum alloy
- . Powered by three C-cells
- . Switch: Mechanical, one hand operated with locking pin
- . Dimensions: 230 x 41 mm
- . Weight in water: 316g (11oz.)
- . Maximum operative depth: 300m (1000 ft)

Rechargeable, halogen underwater torch. 1600 Lumen.
Dimensions: 220 x 80 mm

±NiMH

W 50

MADE
IN ITALY



Magnetic switch with electric circuit

TECHNICAL FEATURES

- . 50 Watt Alogen Bulb
- . Heavy Duty Anodized Aluminium Body
- . 2 positions anodized aluminium handle
- . Approx 2.000 Lumen up to 50 minutes
- . Smart Battery charger
- . Strength, reliability
- . Customizable way to handle and carry (even with thick gloves)
- . All recharge circuits out of the torch, charger wire plug

600 Lumen, 60 minutes, 2 power settings

±NiMH

W 50

MADE
IN ITALY



TECHNICAL FEATURES

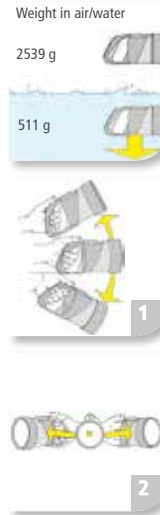
- . 1 x 400Lumen LED and new circuit
- . 3 x C Batteries
- . Metal heat exchanger
- . LED always maintained at the right junction temperature for a safe and correct working
- . Best seller LumenX4 bi-material Anti-Shock Technopolymer structure
- . Simple, reliable, durable
- . The best choice for save money & get a lot of light
- . A consolidate ergonomic structure with a perfect grip with gloves or without



3600 lumen, 33 minutes or 1600 lumen, 70 minutes



VEGA 100



(1-2) The VEGA 100 handle system has the advantage of allowing it to be held in any position and reduces wrist effort. The centre of buoyancy has been placed 40/50 mm from the weight center. The lamp can be handled with little effort.

Excellent handling and use thanks to the rear handgrip.

- . Provided with 100 W and 50 W bulbs, easy to replace
- . With the 50 Watt bulb the duration of the torch increases up to 70 minutes
- . Power is supplied by a pre-adapted nickel-cadmium battery pack without memory effect
- . 3 different systems avoid gas built-up
- . The specific charger supplied extends the battery pack life

TECHNICAL FEATURES

- . Body material: Thermoplastic
- . Batteries: NiCd battery pack
- . Power: 100 W and 50 W
- . Duration: 33 min. (100 W) 70 min. (50 W)
- . Recharging time: 14 hours
- . Diameter: 110 mm
- . Length: 295 mm
- . Tempered mineral glass: 6 mm
- . Weight in air/water: 2539 g / 511 g
- . Multi-mirror reflector diameter: 92 mm
- . Operational depth: 120 m
- . Electronic charger
- . Mechanical switch
- . Safety lock with sliding cover
- . Metallic reflector



VEGA 2



Switch has been constructed to be thumb operated. Three positions: On/Off and Signal Flashing. The sliding cover allows the switch to be locked in either "Off" or "On" position

VEGA 2 TECHNICAL FEATURES

- . Body material: Thermoplastic
- . Batteries: 5 D size elements
- . Power: X-Lite
- . Duration: 16 hours
- . Diameter: 110 mm
- . Length: 215 mm
- . Front glass: Thermoplastic
- . Weight in air/water: 1398 g / 125 g
- . Multi-mirror reflector diameter: 92 mm
- . Operational depth: 120 m
- . Mechanical switch
- . Safety lock with sliding cover
- . Metallic reflector

VEGA 2 RECHARGEABLE TECHNICAL FEATURES

- . Body material: Thermoplastic
- . Batteries: NiCd 5 D size elements
- . Power: 20 W & X-Lite
- . Duration: 90 min. (20 W) 360 min. (X-Lite)
- . Recharging time: 14 hours
- . Diameter: 110 mm
- . Length: 215 mm
- . Front glass: Thermoplastic
- . Weight in air/water: 1431 g / 158 g
- . Multi-mirror reflector diameter: 92 mm
- . Operational depth: 120 m
- . Electronic charger
- . Mechanical switch
- . Safety lock with sliding cover
- . Metallic reflector

890 lumen, 60 minutes



This lamp has an electronic circuit that allows to check the battery level both while charging and diving. The light intensity is constant for 90% of the autonomy. The Soft-Start progressive switch-on protects the lamp against ignition peaks. Bulbs of the following Wattages can be used: 20 Watt, X-Lite. The battery pack can be manually removed in a few seconds -the perfect solution to new airline regulations requiring batteries to be carried separately from the torch.

TECHNICAL FEATURES

- . Body material: Partially rubberized thermoplastic
- . Batteries: NiMH battery pack
- . Power: 35 W
- . Duration: Approx. 60 minutes
- . Recharging time: 6 + 3 hours
- . Diameter: 116 mm
- . Length: 225 mm
- . Over-pressure valve
- . Tempered mineral glass: 6 mm
- . Multi-mirror reflector diameter: 92 mm
- . Operational depth: 120 m
- . Electronic charger
- . Electro-magnetic switch
- . Safety lock with sliding cover
- . Metallic reflector

130 lumen, 14 hours



TECHNICAL FEATURES

- . Body material: Thermoplastic
- . Batteries: 4 D size elements
- . Power: 5,9 W
- . Duration: 14 h
- . Diameter: 97 mm
- . Dimension: 200 x 145 mm
- . Front glass: Thermoplastic
- . Weight in air/water: 1013 g / 25 g
- . Multi-mirror reflector diameter: 97 mm
- . Operational depth: 120 m
- . Mechanical switch
- . Safety lock
- . Metallic reflector

- . Extremely compact
- . Batteries can be easily removed
- . Bulbs are designed and made exclusively for Technisub
- . To switch On and Off, gently squeeze the trigger with the index finger

Compact, underwater torch. | LED 400 Lumen.



LUMEN SOLO



Packaging

TECHNICAL FEATURES

- . 1 x 400Lumen LED and new circuit
- . 3 x C Batteries
- . Metal heat exchanger
- . LED always maintained at the right junction temperature for a safe and correct working
- . Best seller LumenX4 bi-material Anti Shock Technopolymer structure
- . Simple, reliable, durable
- . The best choice for save money & get a lot of light
- . A consolidate ergonomic structure with a perfect grip with gloves or without

A considerable power, a high autonomy and compactness make of Lumen X4 the perfect light for several diving purposes



LUMEN X4



Available in black/gray and black/orange

TECHNICAL FEATURES

- . Body material: Partially rubberized thermoplastic
- . Batteries: 4 C size elements
- . Power (lumen): 110
- . Duration: More than 6 h
- . Dimensions: 60 x 165 mm
- . Front glass: Thermoplastic
- . Operational depth: 120 m
- . Mechanical switch
- . Safety lock
- . Reflector: Thermoplastic
- . Multi-mirror finishing

A considerable power, a high autonomy and compactness make of Lumen X6 the perfect light for several diving purposes



LUMEN X6



Available in black/gray and black/orange

TECHNICAL FEATURES

- . Body material: Partially rubberized Thermoplastic
- . Batteries: 6 C size elements
- . Power (lumen): 130
- . Duration: More than 6 h
- . Dimensions: 60 x 220 mm
- . Front glass: Thermoplastic
- . Operational depth: 120 m
- . Mechanical switch
- . Safety lock
- . Reflector: Thermoplastic
- . Multi-mirror finishing

KNIVES



ZAK

Mid size, lightweight and easy to handle knife range. Blades are made of a special stainless steel. The sheath is equipped with long-lasting rubber straps fitted with quick-release and adjustable buckles.

108x
26x5

ZAK I

ZAK 2



Available in black/gray and black/orange

MINI ZAK

Small, effective and versatile knives. Total length (including handle) is of 170 mm. The non-mechanical holster is supplied with quick-release straps for leg mounting and accessories, for BC and hose mounting.

80x
25x3,5

MINI ZAK ALFA

MINI ZAK BETA



MINI ZAK holster fits on any hose using its special bracket



MINI ZAK holster fits on any BC using its special pliers



DIABLO

The blades of Diablo are made of a stainless steel specifically conceived for the marine environment, offering a unique compromise between corrosion resistance and edge maintenance. Anatomic handle provides a perfect grip. Fitted with long-lasting, UV resistant, quick Release and adjusting rubber straps.



RAZOR

152x
30X5

A very sharp blade. Razor is available with and without hammer cap.



PROFESSIONAL

140x
30X5

Multipurpose blade suitable for different uses. Blade with line cutter and different saw edges with thin and medium teeth.



TOOL

140x
30X5

The blade has 14 and 16 mm slots to fit regulators and hose ends. Available with hammer cap only.



Available with and without hammer cap.



Knife cap carries a INT regulator seat O-ring.

ACCESSORIES



ACCESSORIES

RAPID WEIGHT BELT

- Stainless-steel buckle
- 50 mm wide



SOFT ANKLE WEIGHT

- Made of neoprene, with lead shots
- Double velcro closing
- Weight: 500 g



IDRODYN 500/1000 kg

- 500 and 1000 kg professional Lifting Bags



WETSUIT CEMENT



SILICONE GREASE



ANTI-FOG





aqualung.com

AQUA  LUNG®