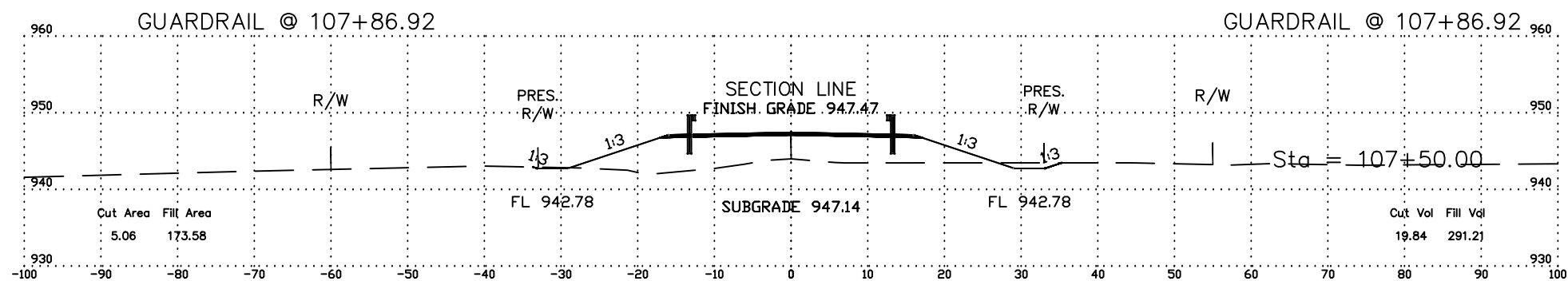


GUARDRAIL @ 109+82.76

GUARDRAIL @ 109+82.76

END BRIDGE @ 109+71.42
 55'-60'-55' TYPES II PCB SPANS (173'-2")
 CENTERLINE 108+84.84
 BEGIN BRIDGE @ 107+98.26



SCALE:
1" = 10'