



2021 Catalogue

Driving New Medical Innovation



## Headquarter

### Onyx Healthcare Inc.

2F., No.135, Ln. 235, Baoqiao Rd.,  
Xindian Dist., New Taipei City 231,  
Taiwan (R.O.C.)  
TEL: +886-2-8919-2188  
FAX: +886-2-8919-1699  
E-mail: sales@onyx-healthcare.com  
<http://www.onyx-healthcare.com>

## Worldwide Offices

### America

#### USA

Onyx Healthcare, USA Inc.  
324W. Blueridge Ave. Orange, CA 92865, USA  
TEL: +1-714-792-0774  
FAX: +1-714-792-0481  
E-mail: usasales@onyx-healthcare.com

### Europe

#### Netherlands

Onyx Healthcare EUROPE B.V.  
Primulalaan 42, 5582 GL Waalre,  
The Netherlands  
TEL: +31(0) 499-745600  
E-mail: eusales@onyx-healthcare.com

### Asia & China

#### China

Onyx Healthcare (Shanghai) INC.  
E-mail: cnsales@onyx-healthcare.com



# Table of Contents

Table of Contents	01
About Onyx	03
OEM/ODM Service	05
<b>AI Hardware Solution</b>	<b>07</b>
<b>Medical Cart Computer</b>	<b>11</b>
23.8" Dual Hot Swappable Battery Medical Cart Computer - <b>Venus-243</b>	13
23.8" Dual Hot Swappable Battery Medical Cart Computer - <b>Venus-243 AMD</b>	15
21.5" Dual Hot Swappable Battery Medical Cart Computer - <b>Venus-223 / Venus-222</b>	17
21.5" Dual Hot Swappable Battery Medical Cart Computer - <b>Venus-223 AMD</b>	19
19" Dual Hot Swappable Battery Medical Cart Computer - <b>Venus-193</b>	21
19"-24" Self-Power Cart Computer	23
<b>Medical Power Panel PC</b>	<b>25</b>
17" Intel i7/i5/i3 Medical Panel PC with Dual Battery- <b>Venus-173</b>	27
15.6" Intel i7/i5/i3 Medical Panel PC with Dual Battery- <b>Venus-153</b>	29
11.6" Intel i7/i5/i3 Medical Panel PC with Dual Battery- <b>Venus-123</b>	31
12"- 17" Mini Mobile Computer Accessory Selection	33
<b>Medical Power Bank</b>	<b>35</b>
<b>UPower Pro-43</b>	37
<b>UPower Pro-22</b>	38
Battery / XL Battery / XXL Battery	39
<b>ORION-Battery Management System</b>	<b>41</b>
<b>Mobile Medical Tablet</b>	<b>45</b>
12" Fanless Intel ATOM / i5 Medical Tablet- <b>MD116 / MD116I</b>	47
10.1" Rugged Medical Tablet - <b>MD101</b>	49
8" Medical Tablet- <b>MPAD-800</b>	51
7" PDA (mPDA)- <b>Julia J07</b>	53
5" PDA (mPDA)- <b>Julia J05</b>	54
MD116 Accessory Selection	55
<b>Professional Medical All in One PC</b>	<b>57</b>
24" Fanless 7th Generation Core i7 Professional Medical All in One PC - <b>ZEUS-248</b>	59
22" Fanless 7th Generation Core i7 Professional Medical All in One PC - <b>ZEUS-228</b>	61
19" Fanless 7th Generation Core i7 Professional Medical All in One PC - <b>ZEUS-198</b>	63
<b>Medical PC &amp; Monitor for Digital OR</b>	<b>65</b>
32" 4K UHD 6th Generation Xeon / Core i7 Medical All in One PC for AI Inference- <b>ACCEL-A3201</b>	67
27" 4K UHD 6th Generation Xeon / Core i7 Medical All in One PC for AI Inference- <b>ACCEL-A2701</b>	69
24" FHD 9th Generation Xeon / Core i7 Medical All in One PC for AI Inference- <b>ACCEL-A2401</b>	71
32" 4K UHD AMD Ryzen Embedded V1000 Medical All in One PC- <b>ACCEL-A3202</b>	73
27" 4K UHD AMD Ryzen Embedded V1000 Medical All in One PC- <b>ACCEL-A2702</b>	75
Medical Video Management System with 9th Generation Intel Xeon / Core i7 CPU- <b>ACCEL-VM500</b>	77
8MP 32" 4K-UHD Surgical Monitor- <b>ACCEL-M3201</b>	79
HDMI/DP over IP Transceiver with USB Extension for Digital OR- <b>ACCEL-VM100</b>	80
AV over IP Master Controller- <b>ACCEL-VM200</b>	81
HDMI/VGA Live Video Streamer with Recording- <b>ACCEL-VS100</b>	82
<b>Slim Medical All in One PC</b>	<b>83</b>
18.5" Fanless Slim Medical All in One PC- <b>BE182</b>	85
17" Fanless Slim Medical All in One PC- <b>ONYX-1731</b>	87
15.6" Fanless Slim Medical All in One PC- <b>ONYX-1531</b>	89
11.6" Fanless Slim Medical All in One PC- <b>ONYX-1222</b>	91
10.1" Fanless Slim Medical All in One PC- <b>ONYX-1022</b>	93
Panel PC Accessory Selection	95
<b>Powerful Medical All in One PC</b>	<b>97</b>
24" Fanless 9th Generation Core i7 Powerful Medical All in One PC- <b>MATE-2405</b>	99
22" Fanless 9th Generation Core i7 Powerful Medical All in One PC- <b>MATE-2205</b>	101
22" Fanless AMD Ryzen Embedded V1000 Powerful Medical All in One PC- <b>MATE-2204</b>	103
19" Fanless 6th Generation Core i7 Powerful Medical All in One PC- <b>MATE-1903</b>	105
<b>Medica Monitor for Medical Device</b>	<b>107</b>
27" Slim Medical Display- <b>MEDDP-627</b>	109
24" Slim Medical Display - <b>MEDDP-624</b>	110
22" Slim Medical Display- <b>MEDDP-722</b>	111
22" Slim Medical Display- <b>MEDDP-622</b>	112
15.6" Slim Medical Display- <b>MEDDP-615</b>	113
15" Slim Medical Display- <b>MEDDP-415</b>	114

### Medical Computer for Medical Device

High Performance Medical Grade PC with Intel® 6th Generation Core™ iSeries- <b>MEDPC-9200</b>	115
High Performance Medical Grade PC with AMD Ryzen™ Embedded V1000- <b>MEDPC-9300</b>	117
High Performance Medical Grade PC with Intel® 4th Generation Core™ iSeries- <b>MEDPC-5700</b>	119
Fanless Medical Grade Box PC with Intel Cherry Trail Process- <b>MEDPC-2700</b>	121
Ultra Slim Medical Grade PC with Intel Bay Trail SoC- <b>MEDPC-2100</b>	123
Ultra Slim Medical Grade PC with Intel Bay Trail SoC- <b>MEDPC-2000</b>	125

### Healthcare Infotainment All In One Computer

18.5" Fanless Bedside Computer - <b>ONYX-BE182</b>	129
15.6" Fanless Bedside Computer - <b>ONYX-1531</b>	131
11.6" Fanless Bedside Computer - <b>ONYX-1222</b>	133
15.6" Fanless Android Bedside Computer- <b>ONYX-BE153R</b>	135
11.6" Fanless Android Bedside Computer - <b>ONYX-BE122R</b>	137
10.1" Fanless Android Bedside Computer - <b>ONYX-BE102R</b>	139
Healthcare Infotainment Accessory Selection	141

### Motherboard

Mini-ITX Motherboard with Intel® 7th Generation KabyLake-U Processor- <b>OMB-M322</b>	143
AMD Ryzen™ Embedded V1000 Medical Mini-ITX Motherboard- <b>OHC-988</b>	146
Mini-ITX with 8th/9th Generation Intel® Core™ LGA1151 Socket Processor- <b>MIX-H310D1</b>	147
Mini-ITX Embedded Motherboard with Intel® N3350(DC) Processor- <b>EMB-APL3</b>	148
3.5" SubCompact Board with Intel® Celeron® J1900 Processor SoC- <b>GENE-BT07</b>	149
3.5" SubCompact Board with 8th Generation Intel® Core™ i7/i5 Processor SoC- <b>GENE-WHU6</b>	150
3.5" SubCompact Board with AMD Geode™ LX Series Processor- <b>GENE-5315 Rev. A</b>	151
COM Express Compact Type 6 with 8th Gen Intel® Core™ ULT SoC- <b>COM-WHUC6</b>	152
COM Express Type 6 CPU Module with Onboard Intel® Atom™/ Celeron® Processor SoC- <b>COM-BT</b>	153
Universal Type 1/6/10 Carrier Board- <b>ECB-920A</b>	154

### 145

146

147

148

149

150

151

152

153

154

155



# About Onyx

**Onyx** Healthcare Inc. is a professional medical IT company in providing trusted, innovative products, customer-centric design services and medical pc solutions. Onyx cooperates closely with our partners to provide comprehensive medical products such as Smart View Medical Stations, Fanless Slim Panel PC, Medical Display, Healthcare Infotainment, Mobile Tablet PC, Medical PC and Mobile Computing Cart in the professional Hospital / Clinical IT market. Our products offer the advantages of filmless and paperless interaction in the hospital environment and all product solutions guarantee reliable quality (EN-60601-1 and UL-60601-1). In 2018/ 2019, Onyx has received notable awards such as the "Taiwan Excellence Award 2018 / 2019" in Venus series and ACCEL series and Mobile Tablet Assistant.



## Product application focus: Hospital IT

- » **High-Acuity Task Area**  
The emergency department, Intensive care, labor and delivery units, neonatal ICUs, operating rooms, post-anesthesia care units, and the radiology department.
- » **Clinic/Nursing Station Area**  
PACs processing and daily hospital tasks.
- » **Outpatient Area**  
Patient monitoring and patient home care.

## Feature Products :

- » **Medical IT**  
Advanced Medical Stations, Medical Grade Slim Panel PCs, Medical Grade Fanless Panel PCs.
- » **Medical Platform**  
Mobile Nursing Cart, Bedside Infotainment Terminal.
- » **Medical IT & Platform Accessory**  
Medical Grade Monitors, Medical Mounting Accessories.



## Awards

### The 25th National Award of Outstanding Small and Medium-sized Enterprises

Healthcare is an honored recipient today of the 25th National Award of Outstanding Small and Medium-sized Enterprises. The National Award of Outstanding Small and Medium Enterprises are seen as the Academy Awards (Oscars) for enterprises in Taiwan, representing the highest honor which can be granted to the winner in their industry.



The Rising Star Award



The Taiwan SMEs Innovation Award

Onyx Healthcare has recently won two awards from the Small and Medium Enterprise Administration, Ministry of Economic Affairs (SMEA/MOEA), R.O.C. In recognition of its excellence in global export trade, Onyx was given The Rising Star Award. For its Venus Series of mobile cart computers, the company received the Taiwan SMEs Innovation Award for performance in innovation and research development.

## OEM / ODM Service

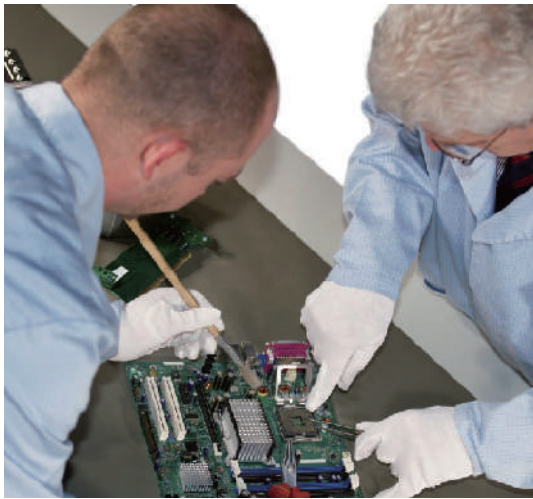
### Onyx -Your Design & Manufacturing Kitchen

1<sup>st</sup> Choice of Medical Device OEM / ODM Partners



### Design to win

Excellent design is the superior tool to win business. Based on such belief, Onyx has kept striving to strengthen our abilities in design experience since we started the company. We have trained outstanding R&D engineers to establish the professional team. They are not only experts in product developments, but also very in tune with the trends of technical and technology to assist our clients exploit new products that are truly competitive and break into the international market.



## Quality Assurance

ONYX Healthcare Inc. provides a 2 year manufacturer's warranty to the entire ONYX product family and supports our clients locally via worldwide service centers with design and technical support capability. The company has acquired the following certifications and established its corporate quality assurance system with detail operational guide using closed loop feedback system approach. Throughout design, manufacturing, and service stages, ONYX Healthcare Inc. is committed to quality and service excellence with extensive knowledge to meet specific needs of medical IT and platform clients.

### Full Experience of Medical Certifications:

No need to worry about the problem of getting documents. With internal and external test laboratories, our experienced LAB engineers with more 10 years make sure your product certified. Onyx can help you bring your market to USA, Europe and China quickly.



#### ISO 9001:2015

Onyx meets specifies requirements of ISO 9001:2015 for a quality management system where an organization from 2011/08/02.  
Valid until: 27, February , 2022



#### ISO14001:2015

Onyx meets specifies requirements of ISO 14001:2015 for Environmental requirements, where an organization from February 2016.  
Environmental Policy:  
Green Manufacturing, Environmental Innovation, Sustainable ,Development Continuous Improvement  
Valid until: 19, February , 2019 ~ 19, February , 2022



#### ISO 13485:2016

Onyx meets specifies requirements of ISO 13485:2016 for a quality management system where an organization needs to demonstrate its ability to provide medical devices and related services from 2011/08/02.  
Valid until: 27, February , 2022



#### FCC

All of onyx's products comply with FCC Part 18.



#### CE : EN 60601-1-2 : 2015 (V4.0) / EN60601-1 : 2006 / A1 : 2013 (V3.1)

All of onyx"s products comply with 93/42/EEC.



#### UL : ANSI / AAMI ES60601-1 : 2012 (V3.1)

All of onyx's products have got the UL certificate.



#### CCC

Some of Onyx products meets the CCC mark is required for both Chinese manufactured and foreign imported products.



#### Clorox Healthcare Compatibility Program

Onyx Products Approved Clorox Healthcare Compatible™ for Safer Medical Environments

## Ready to Use Embedded Computing Platform:

Belonging to ASUS and Aaeon Group, Onyx provides rich and cutting edge motherboard technology to our clients. Do not worry about falling behind your competition. Your company will be the leader in the field.

- Off-the shelf miniITX motherboard solution
- Latest Computer-on Module (COM) solutions
- Single compact computer solutions (X86 and RISC ARM)
- Free of charge BIOS and driver service



## Onyx Healthcare is the first company with EMC 4.0 / Safe 3.1 ready products

In the European Union, the Date of Withdrawal (DoW) of EN 60601-1:2006 (Safety Edition 3.0) is published as Dec. 31st 2017 and DoW of EN 60601-1-2:2007(EMC Edition 3.0) is published as Dec. 31st 2018. **All devices manufactured and imported into the EU are required to comply with EN 60601-1:2006/A1:2013 (Safety Edition 3.1) after year 2018 and EN 60601-1-2:2015 (EMC Edition 4.0) after year 2019.**

All Onyx products in mass production are compliant to Safety Edition 3.1 and EMC Edition 4.0 and please refer to the following product list.



## Medical DMS Partner:

Onyx Design Manufacture Service (DMS) offers customers comprehensive product services from the creation of an initial design, through development to manufacturing, and including after-sales service. Onyx DMS combines these services through our extensive oversight process to guarantee unsurpassed product quality, dependability and robustness. Our strength as a medical technology leader lies in our close partnerships with Intel, AMD, and ASUS allowing us to gain early access to advanced technologies. Combined with superior supply-chain management and buying power, Onyx is able to provide single-source procurement across several industry sectors, benefiting our customers with uncompromised quality and services.





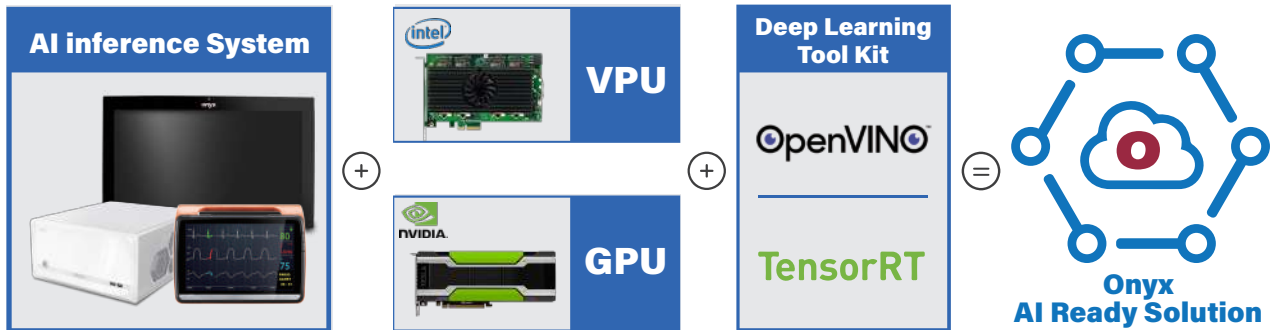
# Onyx AI Hardware Solution

As technology advances at an every quickening pace, it is artificial Intelligence (AI) that is leading the way forward to a future where we are surrounded by automation and universal connectivity. Hardware supporting the current AI industrial revolution must also increase its processing capabilities with every new generation to not only keep pace with, but help drive forward technological innovation. Onyx continues its role as a major technology innovator by creating new products focused on AI Inference at the Edge. Our AI-ready products include devices with support for Nvidia and Intel solutions, medical grade AI boxes, mobile tablets for AI inference, and the first AI all-in-one PC.



## Key Features

- » Support NVidia/intel Solution
- » Medical grade AI Box
- » The first AI All in One PC
- » Mobile tablet support AI inference



## MD116/MD116i

12" Medical AI Tablet w/ Intel 7th Gen KabyLake CPU and Movidius Myriad X VPU.

### Product Feature

- Intel® Apollo Lake processor / Sky Lake U processor / Kaby lake U processor
- Dual hot-swappable batteries for 24/7 operation
- Dual smart card readers for multiple-care workflow
- Standard USB Type-A and RJ45 for easy connection to medical devices
- IP54 certified & 3 feet drop resistant
- ORION client compatible
- Instant vehicle docking system
- Automotive Directive and EN1789 certified for ambulances/ Medical transportation vehicles

More information on [Page.47](#)

## Ultrasound **Wireless and Handheld**

Provide the best high performance and reliable ultrasound device.

This artificial intelligence assists doctors in the diagnosis of the tumor, and can be a non-invasive screening to breast puncture and biopsy to determine the malignancy of the breast tumor.

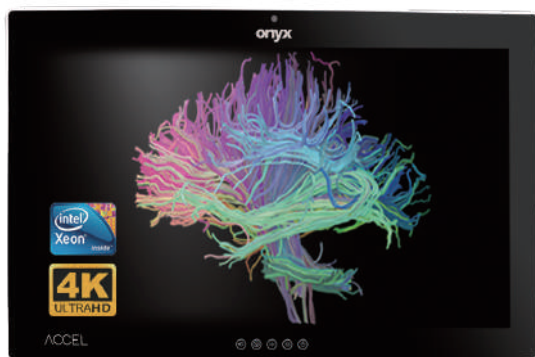


## EKG **Wireless transmission & Real-time inference**

With AI can interpret the electrocardiogram signal, and assesses the condition of the heart, providing accurate and efficient assistance for doctors.

This artificial intelligence assists doctors in the diagnosis of the tumor, and can be a non-invasive screening to breast puncture and biopsy to determine the malignancy of the breast tumor.





## ACCEL-A3201

**32" 4K UHD 6th Generation Xeon / Core i7 Medial All in One PC for AI Inference**

### Product Feature

Intel® 6th Generation Xeon E3-1505M v5 2.8GHz Quad Core / Core i7-6820EQ 2.8GHz Quad Core  
 Supports ECC / Non-ECC DDR4 SODIMM up to 32GB  
 32" UHD 3840x2160 350-nit High Contrast LCD  
 Capacitive Multi-Touch Screen  
 5 Programmable Smart Function Keys with Dual Colors LED Status Indication  
 LAN/USB(optional)/COM(optional) Medical Isolation  
 Dual Slots PCI Express[x16] x1 for High End Graphics Card /GPU Accelerator Card up to 300W  
 PCI Express[x4] x1, PCI Express[x1]x1  
 Trusted Platform Module 2.0  
 Remote Management: Intel Active Management Technology  
 100V to 240V AC Input

[More information on](#) **Page.67**



## ACCEL-A2701

**27" FHD 9th Generation Xeon / Core i7 Medial All in One PC for AI Inference**

### Product Feature

Intel® 6th Generation Xeon E3-1505M v5 2.8GHz Quad Core / Core i7-6820EQ 2.8GHz Quad Core  
 Supports ECC / Non-ECC DDR4 SODIMM up to 32GB  
 27" UHD 3840x2160 250-nit High Contrast LCD  
 Capacitive Multi-Touch Screen  
 5 Programmable Smart Function Keys with Dual Colors LED Status Indication  
 LAN/USB(optional)/COM(optional) Medical Isolation  
 Dual Slots PCI Express[x16] x1 for High End Graphics Card /GPU Accelerator Card up to 300W  
 PCI Express[x4] x1, PCI Express[x1]x1  
 Trusted Platform Module 2.0  
 Remote Management: Intel Active Management Technology  
 100V to 240V AC Input

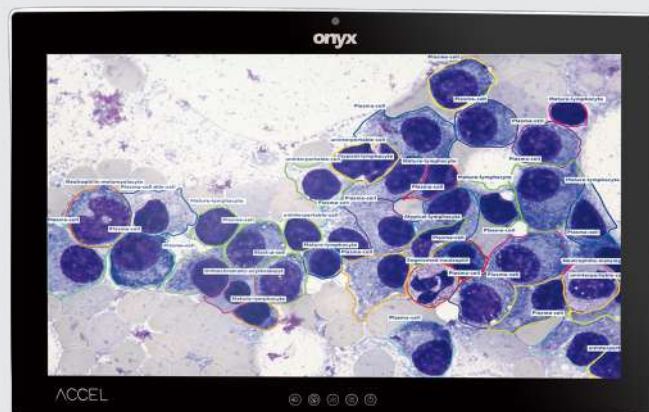
[More information on](#) **Page.69**

## aetherAI Hema AI Module With Onyx Accel Series Automatic Differential Counting of Bone Marrow Smear

Differential counting of blood cells is the basis of diagnostic hematology.

In many circumstances, the identification of cells in bone marrow smears is the golden standard for diagnosis. However, morphological assessment and differential counting of bone marrow smears are still performed manually. Partnering with National Taiwan University Hospital, aetherAI is delivering the world's first bone marrow smear differential counting AI model, trained on the world's largest and most comprehensive image dataset. Each cell will be classified into one of the 13 main categories.

However, AI testing requires high performance hardware in order to operate quickly and efficiently. Onyx Accel series is compatible with a variety of major AI computing models and provides support for the demanding hardware requirements that AI technology needs to perform well in medical applications. This helps medical personnel provide the best medical services possible, who would otherwise be affected by fatigue or environmental factors while overseeing prolonged periods of testing.





## ACCEL-VM500

AI Ready Medical PC with 9th Generation Intel Xeon / Core i7 CPU

### Product Feature

- Intel® Xeon E-2278GE 3.3GHz / Core i7-9700E 2.6Ghz
- Supports ECC DDR4 DIMM up to 64GB memory
- Support windows video recording and video management software
- An open SDK enable user to integrate the product into environment or workflow management system
- Support Three 4K Displays: HDMI x 2, DP x 1
- Multi channels are supported to record 4K and FHD medical videos simultaneously
- Support PCIe [16] x 1, for High end graphic card (250W)

More information on [Page.77](#)



## MEDPC-9200

High Performance Medical Grade PC with Intel® 6th Generation Core™ iSeries

### Product Feature

- Intel® 6/7th Generation Core i, Processor
- Supports DDR4 up to 32GB
- Extension area: PCI-Express [x1] x 1(optional)
- Two Independent , Display: DP/HDMI
- Supports TPM 2.0
- Modularize Design
- Support Inte Modivus AI card

More information on [Page.117](#)

## Minimally invasive spinal surgery robot-assist system



Due to the spine has many nerves, patients are often worried about accidental injury caused during the operation. Surgeons have to be 100% attention and make sure their hand are steady during the spinal operations lasting three hours, on average. With a robotic arm, surgeons have the benefit of a tool that can be positioned to aid the physician while performing an operation and help with fatigue. Onyx Accel series all have medically certified and includes high-resolution image output and real-time image recognition by the combination of a variety of high performance AI modules. Our solution enables the AI system to immediately warn when the surgeon's operating range is slightly shifted to reduce the dangers to patients during spinal operations and to assist orthopedic physicians in performing higher-quality medical treatment.

# Medical Cart Computer

Onyx has developed an all in one panel computer that provides 24/7 non-stop service and offers true mobility. Venus, the medical portable computer, features dual hot swappable batteries system and universal mounting slots. The battery system allow users to replace one of the batteries without turning the computer off. Also, the dual batteries design supply a very long running time and short charging time. Lightweight design with Magnesium alloy rear cover provides high strength and great heat dissipation, and it has mounting slots that will fit any medical cart. Small features that come with the unit such as RFID, reading light bar, and smart card scanner come in handy for the operator.



- »» Highest level of medical safety protection, EMC4.0 / Safety3.1
- »» Built-in dual battery to provide Max 260Wh power for standing 18 hours operating.
- »» Support running as 24/7 by swapping batteries.
- »» With magnesium alloy rear cover provides high strength , light weight ,and great heat dissipation.
- »» ORION, Hospital IT Management Software Package.
- »» Hi-speed recharge, flexible mounting type

## ⊕ No pending for charging

Swappable batteries are small and light enough to be changed with one hand while also providing long-lasting, nonstop power.



## ⊕ Cleanability with Hospital Solvents

Venus Series was designed for using in hospital environment. The Front IP65 waterproof and non-gap design was made it more easy to be clean with hospital solvent, and fit almost all the cleaning strategies.



## ⊕ Easy to management remotely (ORION)

ORION, a hospital IT management software package. Remotely monitor battery status including charging cycles, temperature, capacity, and usage statistics, or set custom reminders.



## ⊕ TPM

A Trusted Platform Module increase privacy and security utilizing hardware-encryption with files to ensure sensitive information remains safe and secure.



## ⊕ External output

24W DC output connector supplies power to additional medical devices



## ⊕ Lightweight design

Magnesium alloy construction and 300g batteries ensure the unit is sturdy, yet easy to carry, position and handle.



## Successful Story

The Venus-Mobile Cart Computer was chosen for use by our nursing staff at the Taiwan Chiang Kai-shek Memory Hospital. The swappable battery saves my time so I can spend more time taking care of more patients. I no longer need to push around a heavy cart from room to room or always look for a socket to charge the battery. I love the lightweight battery and cableless design of Venus which makes the cart lighter and gives me the mobility to move effortlessly and work efficiently. I recommend the Venus series as a practical and useful medical computer for nurses and hospitals.

Hospital : Chiang Kai-shek Memory Hospital  
 Nurse : Lucy Wu  
 Location : Taiwan  
 Benefit : \* Extremely  
           \* No idle time, Better Efficiency  
           \* Perfect battery SW

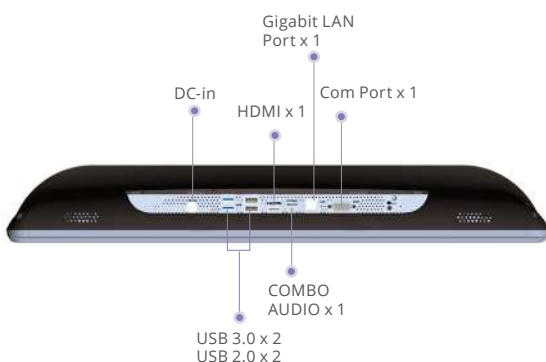
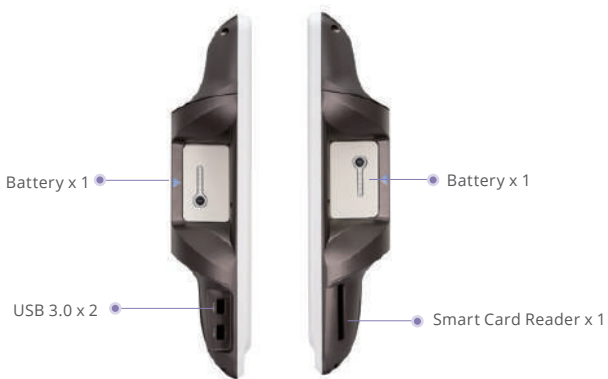
*Venus*  
 Mobile Cart Computer



# Medical Cart Computer

## Venus-243

23.8" Dual Hot Swappable Battery Medical Cart Computer



### Features

- Highest level of medical safety protection , EMC4.0/ Safety 3.1
- Cleanability with Hospital Solvents (front IP65)
- Hot swappable design, support 24/7 run time
- Intel® Skylake Dual-Core i5 / i7
- Support remote monitor/control/update (ORION compatible)
- Lightweight design
- Front reading light bar

### Specifications

#### Main Specifications

Processor	Intel® Skylake Dual-Core i5 / i7
System Memory	DDR4 up to 32GB
OS Support	Microsoft® Windows 7 Microsoft® Windows 8.1 Microsoft® Windows 10 Ubuntu 18.04 LTS IGEL (thin client solution)
Graphics	Intel® HD Graphics 520
Storage	SSD up to 512GB (optional)
Wireless Communication	802.11 ac/a/b/g/n + BT (optional)
Touch	PCT
Speaker	2W x2
Security	TPM 2.0 (Trusted Platform Module), Smart Card Reader, RFID ISO 15693/14443A (optional)

#### Display

Display Size	23.8" VA panel
Resolution	1920 x 1080
Max. Colors	16.7M
Contrast Ratio	3000:1
Luminance (cd/m2)	250

#### I/O

USB	Rear I/O: USB 3.0 x 2, USB 2.0 x 2 Side I/O : USB 3.0 x 2
Video Out	HDMI out x1
COM	COM port x1
Audio	Combo audio port x1
Security	Kensington slot
Ethernet	Gigabit LAN x1
DC-in	24V DC-in x1

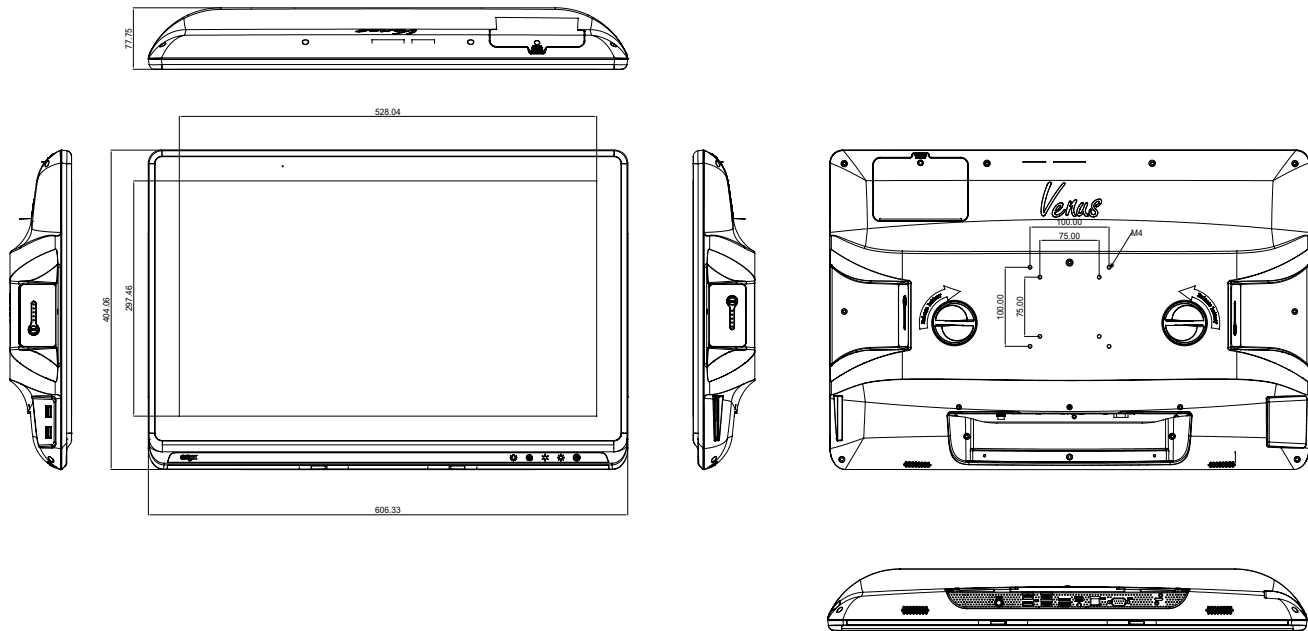
#### Mechanical and Environmental

VESA	75/100 mm VESA mount
Operating Temperature	0°C ~ 40°C(32°F ~ 104°F)
Storage Temperature	-20°C ~ 60°C(-4°F ~ 140°F)
Storage Humidity	10%~95%@40°C, non-condensing
Degree of Protection	Front Panel: IP65 ; Rear: IPX1
Dimension	607(L) x 78(W) x 404(H) mm
Net Weight without Battery	8kg (17.6 lbs)
Packing Size	730(L) x 240(W) x 550(H) mm
Gross Weight	12kg (26.5 lbs)
Certifications	CE: EN 60601-1-2:2015(V4.0), EN 60601-1:2006/ A1:2013(V3.1) FCC: Part 18 Class B UL: ANSI/AAMI ES60601-1:2012 (V3.1) cUL: CAN/CSA-C22.2 No. 60601-1:2014 (V3.1)

ALL PRODUCT, PRODUCT SPECIFICATIONS AND DATA ARE SUBJECT TO CHANGE WITHOUT NOTICE TO IMPROVE RELIABILITY, FUNCTION OR DESIGN OR OTHERWISE.

## 23.8" Dual Hot Swappable Battery Medical Cart Computer

### Dimension / Unit: mm



### Ordering Information

- » VENUS-243ST-A5-1010  
Cart Computer.i5.24".Fanless.PCT.4G RAM.SCR.TPM. XL Battery x2
- » VENUS-243E-A3-0402  
Cart Computer.3955U. 24".Fanless.4G RAM.SCR.TPM. XL Battery x2

### Optional Accessories

- |  |  |
|--|--|
| <ul style="list-style-type: none"> <li>» 1255301501<br/>Medical Adaptor. 100-240V/1.0-2.5A 24V/6.25A 150W</li> <li>» OPM-S02R-A1<br/>RFID Reader Kit</li> <li>» OPM-C10W-A8<br/>WLAN dual band module kits. INTEL 802.11ac/a/b/g/n+BT</li> <li>» OPM-C12W-A8<br/>WLAN dual band module kits. Atheros 802.11a/b/g/n<br/>+ BT 4.0</li> </ul> | <ul style="list-style-type: none"> <li>» UP-L62-A1-1010<br/>6-Slot Charger + 24V/250W adaptor</li> <li>» UP-P22-A2-1010<br/>2-Slot Charger + 24V Medical adaptor</li> <li>» OPM-V03C-01<br/>2MP Camera kit with Mic</li> </ul> |
|--|--|



## Medical Cart Computer

# Venus-243-AMD

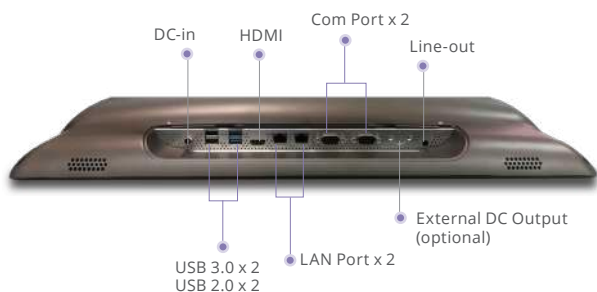
23.8" Dual Hot Swappable Battery Medical Cart Computer



Battery x 1  
 USB 3.0 x 2  
 Smart Card Reader x 1



Battery x 1  
 USB 3.0 x 2  
 Smart Card Reader x 1



DC-in  
 HDMI  
 Com Port x 2  
 Line-out  
 External DC Output (optional)  
 USB 3.0 x 2  
 USB 2.0 x 2  
 LAN Port x 2

## Features

- Medical grade certified (EN60601-1/UL60601-1)
- Cleanability with hospital solvents (front IP65/rear IPX1)
- Hot swappable design, support 24/7 run time
- AMD Ryzen™ V1202B / V1605B
- Support remote monitor/control/update (ORION compatible)
- Lightweight design
- Front reading light bar

## Specifications

### Main Specifications

Processor	AMD Ryzen™ V1202B / V1605B
System Memory	Up to DDR4 32GB
OS Support	Microsoft® Windows 10 pro (64bit) Microsoft® Windows 10 IOT Enterprise (64bit) Ubuntu 18.04 LTS
Storage	Up to 512 GB
Wireless Communication	802.11 ac/a/b/g/n + BT 4.0 (optional)
Touch	PCAP
Speaker	2W x2
Security	TPM2.0 SmartCard Reader RFID ISO 15693 / 14443A (optional)

### Display

Display Size	23.8" VA panel
Resolution	1920 x 1080
Max. Colors	16.7M
Contrast Ratio	3000:1
Luminance (cd/m2)	250

### I/O

USB	Rear I/O : USB 3.0 x2, USB 2.0 x2 Side I/O : USB 3.0 x2
Video Out	HDMI
COM	COM port x2 (isolated optional)
Audio	Combo Audio port x1
Security	Kensington slot
Ethernet	Gigabit LAN x 2
DC-in	24V 2.5mm DC connector x1

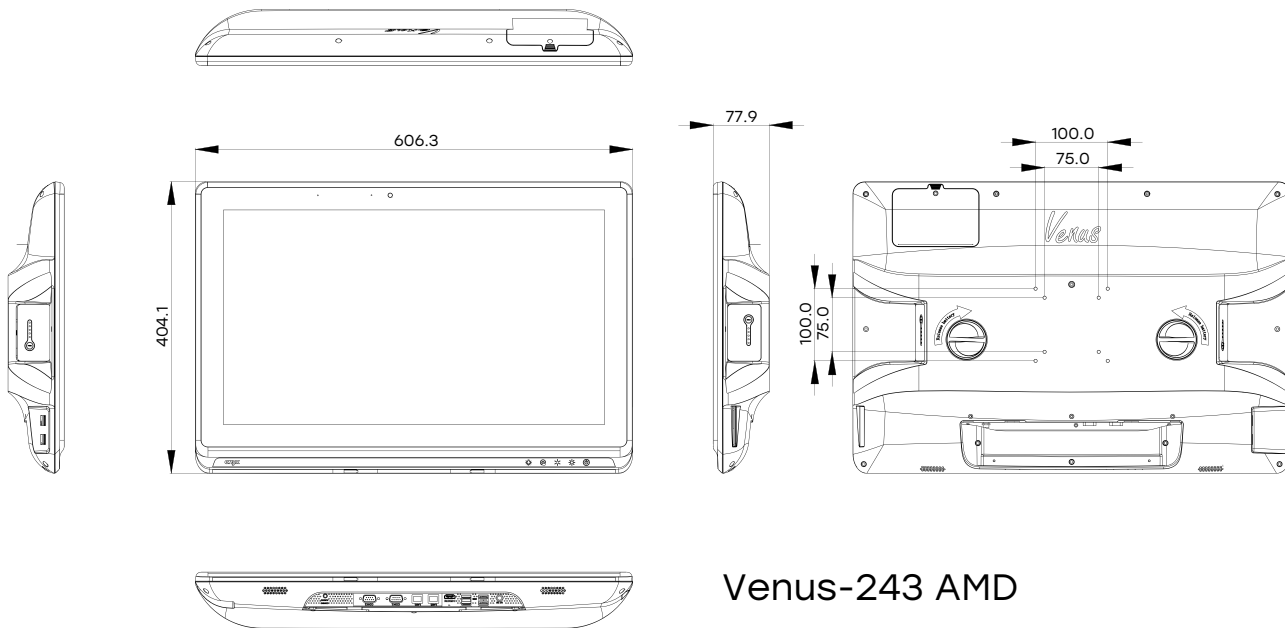
### Mechanical and Environmental

VESA	75/100 mm VESA mount
Operating Temperature	0°C ~ 40°C(32°F ~ 104°F)
Storage Temperature	-20°C ~ 60°C(-4°F ~ 140°F)
Storage Humidity	10%~95%@40°C, non-condensing
Degree of Protection	Front Panel: IP65 ; Rear: IPX1
Dimension	607(L) x 78(W) x 404(H) mm
Net Weight without Battery	8kg (17.6 lbs)
Packing Size	730(L) x 240(W) x 550(H) mm
Gross Weight	12kg (26.5 lbs)
Certifications	CE: EN 60601-1-2:2015(V4.0), EN 60601-1:2006/ A1:2013(V3.1) FCC: Part 18 Class B UL: ANSI/AAMI ES60601-1:2012 (V3.1) cUL: CAN/CSA-C22.2 No. 60601-1:2014 (V3.1)

ALL PRODUCT, PRODUCT SPECIFICATIONS AND DATA ARE SUBJECT TO CHANGE WITHOUT NOTICE TO IMPROVE RELIABILITY, FUNCTION OR DESIGN OR OTHERWISE.

## 23.8" Dual Hot Swappable Battery Medical Cart Computer

### Dimension / Unit: mm



Venus-243 AMD



### Ordering Information

- » VENUS-243-G12-A1-0402  
Cart Computer.AMD V1202B . 24". 4G. SCR . TPM. XL Battery x2

### Optional Accessories

- » 1255301501  
Medical Adaptor. 100-240V/1.0-2.5A 24V/6.25A 150W
- » OPM-S02R-A1  
RFID Reader Kit
- » OPM-C10W-A8  
WLAN dual band module kits. INTEL 802.11ac/a/b/g/n+BT
- » OPM-C12W-A8  
WLAN dual band module kits. Atheros 802.11a/b/g/n + BT 4.0
- » UP-L62-A1-1010  
6-Slot Charger + 24V/250W adaptor
- » UP-P22-A2-1010  
2-Slot Charger + 24V Medical adaptor
- » OPM-V03C-01  
2MP Camera Kit with Mic
- » OPM-V04C-01  
5MP Camera Kit

## Medical Cart Computer

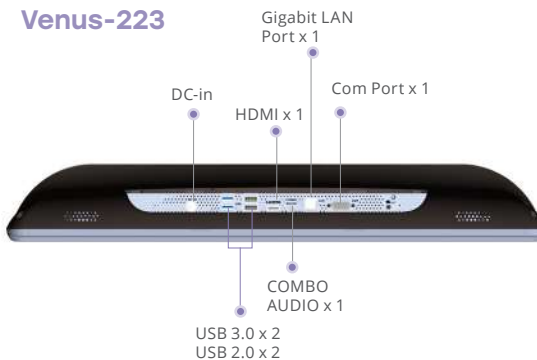
# Venus-223 / Venus-222

21.5" Dua Hot Swappable Battery Medical Cart Computer

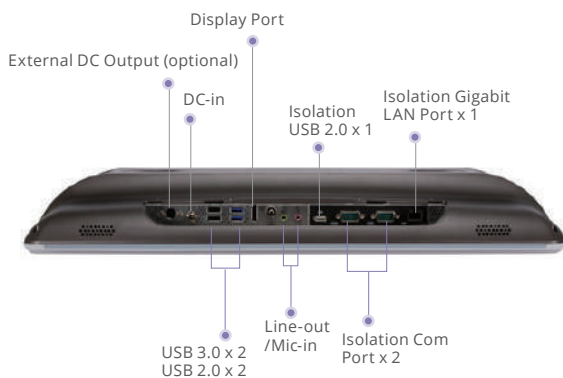


Battery x 1  
USB 3.0 x 2  
Smart Card Reader x 1

### Venus-223



### Venus-222



## Features

- Highest level of medical safety protection
- Cleanability with hospital solvents (front IP65)
- Hot swappable design, support 24/7 run time
- Intel® Skylake Dual-Core i5 / Quad-Core J1900
- Support remote monitor/control/update (ORION compatible)
- Lightweight design
- Front reading light bar

## Specifications

### Main Specifications

	Venus-223	Venus-222
Processor	Intel® Skylake Dual-Core i5 /i7	Intel® Quad-Core J1900
System Memory	DDR4 up to 32GB	DDR3L up to 8G
OS Support	Microsoft® Windows 7 Microsoft® Windows 8.1 Microsoft® Windows 10 Ubuntu 18.04 LTS IGEL (thin client solution)	Microsoft® Windows 7 Microsoft® Windows 8.1 Microsoft® Windows 10 IGEL (thin client solution)
Graphics	Intel® HD Graphics 520	Intel® HD Graphics
Storage	SSD up to 512GB (optional)	
Wireless Communication	802.11 ac/a/b/g/n + BT 4.0 (optional)	
Camera	2MP/5MP camera (optional)	
Touch	PCT, R-TS (optional)	
Speaker	2W x2	
Security	TPM 2.0 Smart Card Reader, RFID ISO 15693/14443A (optional)	TPM 1.2

### Display

Display Size	21.5" VA panel
Resolution	1920 x 1080
Max. Colors	16.7M
Contrast Ratio	3000:1
Luminance (cd/m2)	250

### I/O

USB	Rear I/O : USB 3.0 x2, USB 2.0 x2 Side I/O : USB 3.0 x2	Rear I/O : USB 3.0 x2, USB 2.0 x2, Isolated USB x1 Side I/O : USB 3.0 x2
Video Out	HDMI 1.4 x1	DP x1
COM	COM port x1	Isolated COM port x2
Audio	Combo audio port x1	Mic-in x1, Audio-out x1
Security	Kensington slot	N/A
Ethernet	Gigabit LAN x1	
DC-in	24V DC-in x1	

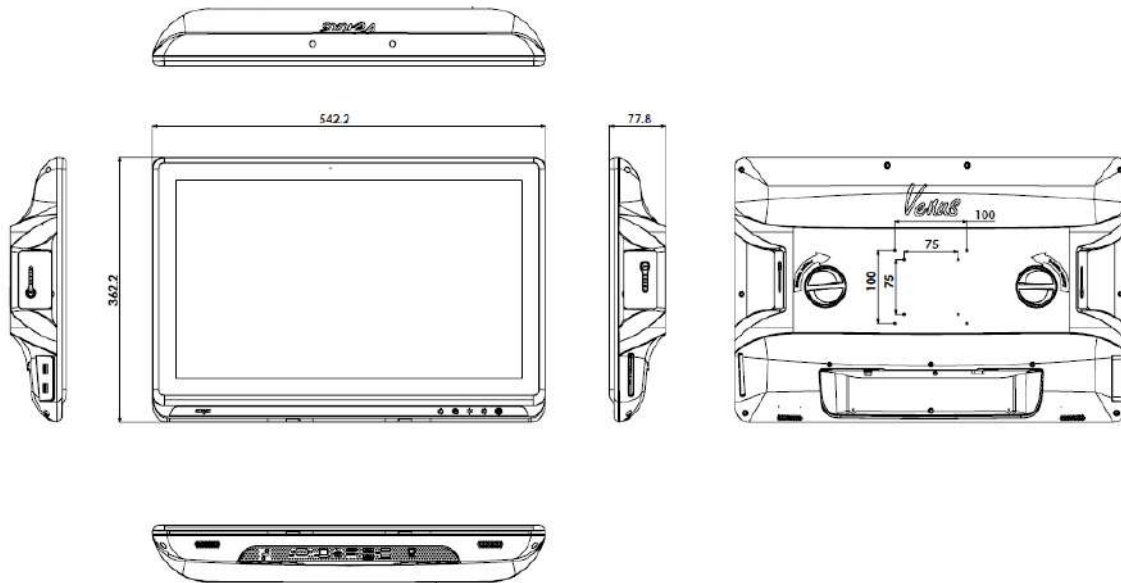
### Mechanical and Environmental

VESA	75/100 mm VESA mount
Operating Temperature	0°C ~ 40°C(32°F ~ 104°F)
Storage Temperature	-20°C ~ 60°C(-4°F ~ 140°F)
Storage Humidity	10%~95%@40°C, non-condensing
Degree of Protection	Front Panel: IP65 ; Rear: IPX1
Dimension	542(L) x 78(W) x 362(H) mm
Net Weight	7kg (15.4 lbs)
Packing Size	645(L) x 210(W) x 513(H) mm
Gross Weight	11kg (24.3 lbs)
Certifications	CE: EN 60601-1-2:2015(V4.0), EN 60601-1:2006/ A1:2013(V3.1) FCC: Part 18 Class B UL: ANSI/AAMI ES60601-1:2012 (V3.1) cUL: CAN/CSA-C22.2 No. 60601-1:2014 (V3.1)

ALL PRODUCT, PRODUCT SPECIFICATIONS AND DATA ARE SUBJECT TO CHANGE WITHOUT NOTICE TO IMPROVE RELIABILITY, FUNCTION OR DESIGN OR OTHERWISE.

## 21.5" Dual Hot Swappable Battery Medical Cart Computer

### Dimension / Unit: mm



### Ordering Information

- » VENUS-223ST-A5-1010  
Cart Computer. i5 22". Fanless. PCT. 4G RAM. SCR. TPM. XL Battery x2
- » VENUS-223ET-A7-1010  
Cart Computer. i7. 22". Fanless. R-TS. 4GB RAM. SCR. TPM. XL . Battery x2
- » VENUS-222ET-A1-1010  
Cart Computer. J1900. 22". Fanless. R-TS. 4GB RAM. SCR. TPM. Battery x2

### Optional Accessories

- |  |  |
|--|--|
| <ul style="list-style-type: none"> <li>» 1255301501<br/>Medical Adaptor. 100-240V/1.0-2.5A 24V/6.25A 150W</li> <li>» OPM-S02R-A0<br/>RFID Reader Kit</li> <li>» OPM-C10W-A8<br/>WLAN dual band module kits. INTEL 802.11ac/a/b/g/n+BT</li> <li>» OPM-C12W-A8<br/>WLAN dual band module kits. Atheros 802.11a/b/g/n + BT 4.0</li> <li>» UP-L62-A1-1010<br/>6-Slot Charger + 24V/250W adaptor</li> </ul> | <ul style="list-style-type: none"> <li>» UP-P22-A2-1010<br/>2-Slot Charger + 24V Medical adaptor</li> <li>» OPM-V01C-02<br/>2MP Camera Kit with Mic</li> <li>» OPM-V02C-01<br/>5MP Camera Kit</li> </ul> |
|--|--|

## Medical Cart Computer

# Venus-223-AMD

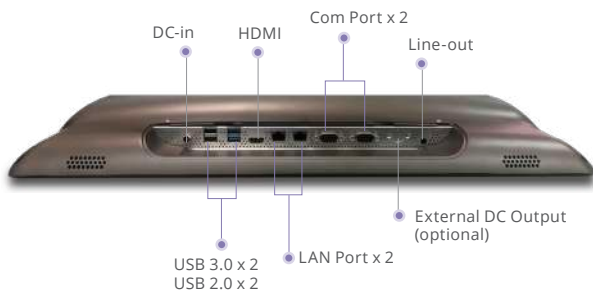
21.5" Dual Hot Swappable Battery Medical Cart Computer



Battery x 1      Battery x 1  
 USB 3.0 x 2      Smart Card Reader x 1



Battery x 1      Battery x 1  
 USB 3.0 x 2      Smart Card Reader x 1



DC-in      HDMI      Com Port x 2      Line-out  
 External DC Output (optional)  
 USB 3.0 x 2      LAN Port x 2  
 USB 2.0 x 2

## Features

- Medical grade certified (EN60601-1/UL60601-1)
- Cleanability with hospital solvents (front IP65/rear IPX1)
- Hot swappable design, support 24/7 run time
- AMD Ryzen™ V1202B / V1605B
- Support remote monitor/control/update (ORION compatible)
- Lightweight design
- Front reading light bar

## Specifications

### Main Specifications

Processor	AMD Ryzen™ V1202B / V1605B
System Memory	Up to DDR4 32GB
OS Support	Microsoft® Windows 10 pro (64bit) Microsoft® Windows 10 IOT Enterprise (64bit) Ubuntu 18.04 LTS
Storage	Up to 512 GB
Wireless Communication	802.11 ac/a/b/g/n + BT 4.0 (optional)
Touch	PCAP, R-TS(optional)
Speaker	2W x2
Security	TPM2.0 SmartCard Reader RFID ISO 15693 / 14443A (optional)

### Display

Display Size	21.5" VA panel
Resolution	1920 x 1080
Max. Colors	16.7M
Contrast Ratio	3000:1
Luminance (cd/m2)	250

### I/O

USB	Rear I/O : USB 3.0 x2, USB 2.0 x2 Side I/O : USB 3.0 x2
Video Out	HDMI
COM	COM port x2 (isolated optional)
Audio	Combo Audio port x1
Security	Kensington slot
Ethernet	1kv isolated Gigabit LAN x 2
DC-in	24V 2.5mm DC connector x1

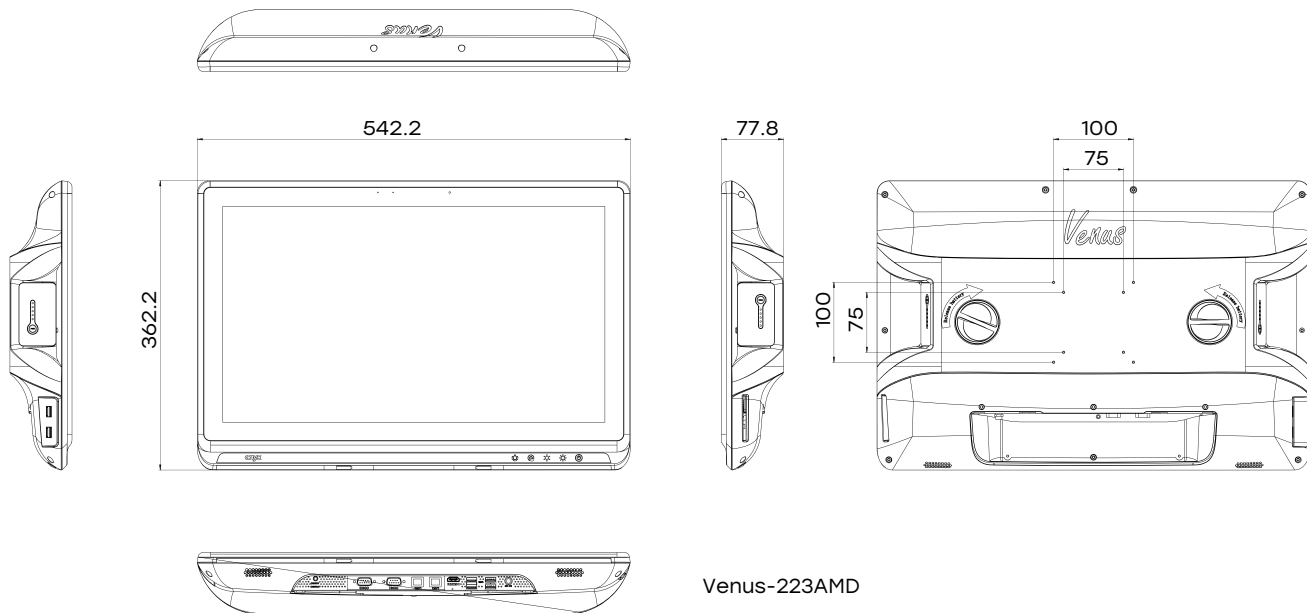
### Mechanical and Environmental

VESA	75/100 mm VESA mount
Operating Temperature	0°C ~ 40°C(32°F ~ 104°F)
Storage Temperature	-20°C ~ 60°C(-4°F ~ 140°F)
Storage Humidity	10%~95%@40°C, non-condensing
Degree of Protection	Front Panel: IP65 ; Rear: IPX1
Dimension	542(L) x 78(W) x 362(H) mm
Net Weight	7kg (15.4 lbs)
Packing Size	645(L) x 210(W) x 513(H) mm
Gross Weight	11kg (24.3 lbs)
Certifications	CE: EN 60601-1-2:2015(V4.0), EN 60601-1:2006/ A1:2013(V3.1) FCC: Part 18 Class B UL: ANSI/AAMI ES60601-1:2012 (V3.1) cUL: CAN/CSA-C22.2 No. 60601-1:2014 (V3.1)

ALL PRODUCT, PRODUCT SPECIFICATIONS AND DATA ARE SUBJECT TO CHANGE WITHOUT NOTICE TO IMPROVE RELIABILITY, FUNCTION OR DESIGN OR OTHERWISE.

## 21.5" Dual Hot Swappable Battery Medical Cart Computer

### Dimension / Unit: mm



Venus-223AMD



### Ordering Information

- » VENUS-223-G12-A1-0402  
Cart Computer.AMD V1202B. 22".4G RAM.SCR.TPM.XL Battery x2

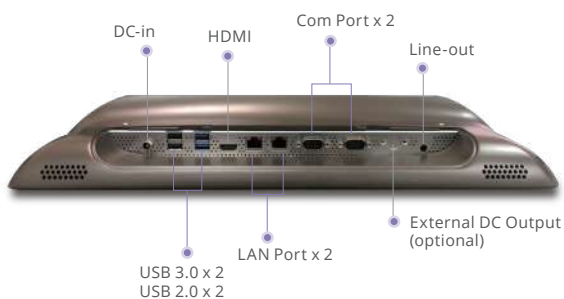
### Optional Accessories

- » 1255301501  
Medical Adaptor. 100-240V/1.0-2.5A 24V/6.25A 150W
- » OPM-S02R-A0  
RFID Reader Kit
- » OPM-C10W-A8  
WLAN dual band module kits. INTEL 802.11ac/a/b/g/n+BT
- » OPM-C12W-A8  
WLAN dual band module kits. Atheros 802.11a/b/g/n + BT 4.0
- » UP-L62-A1-1010  
6-Slot Charger + 24V/250W adaptor
- » UP-P22-A2-1010  
2-Slot Charger + 24V Medical adaptor
- » OPM-V01C-02  
2MP Camera Kit with Mic
- » OPM-V02C-01  
5MP Camera Kit

## Medical Cart Computer

# Venus-193

## 19" Dual Hot Swappable Battery Medical Cart Computer



## Features

- Highest level of medical safety protection
- Cleanability with hospital solvents (front IP65)
- Hot swappable design, support 24/7 run time
- Intel® Skylake Dual-Core i5 / Celeron 3955U
- Support remote monitor/control/update (ORION compatible)
- Lightweight design
- Front reading light bar

## Specifications

### Main Specifications

Processor	Intel® Skylake Dual-Core i5 / i7 , Celeron 3955U
System Memory	DDR4 up to 32GB
OS Support	Microsoft® Windows 7 Microsoft® Windows 8.1 Microsoft® Windows 10 (64bit) Ubuntu 18.04 LTS IGEL (thin client solution)
Graphics	Intel® HD Graphics 520
Storage	SSD up to 512GB (optional)
Wireless Communication	802.11 ac/a/b/g/n + BT 4.0 (optional)
Touch	R-TS
Speaker	2W x2
Security	TPM 2.0 Smart Card Reader, RFID ISO 15693/14443A (optional)

### Display

Display Size	19" panel
Resolution	1280 x 1024
Max. Colors	16.7M
Contrast Ratio	1000:1
Luminance (cd/m2)	250

### I/O

USB	Rear I/O :USB 3.0 x2, USB 2.0 x2 Side I/O : USB 3.0 x2
Video Out	HDMI 1.4 x1
COM	COM port x2
Audio	Combo audio port x1
Ethernet	Gigabit LAN x2
DC-in	24V DC-in x1

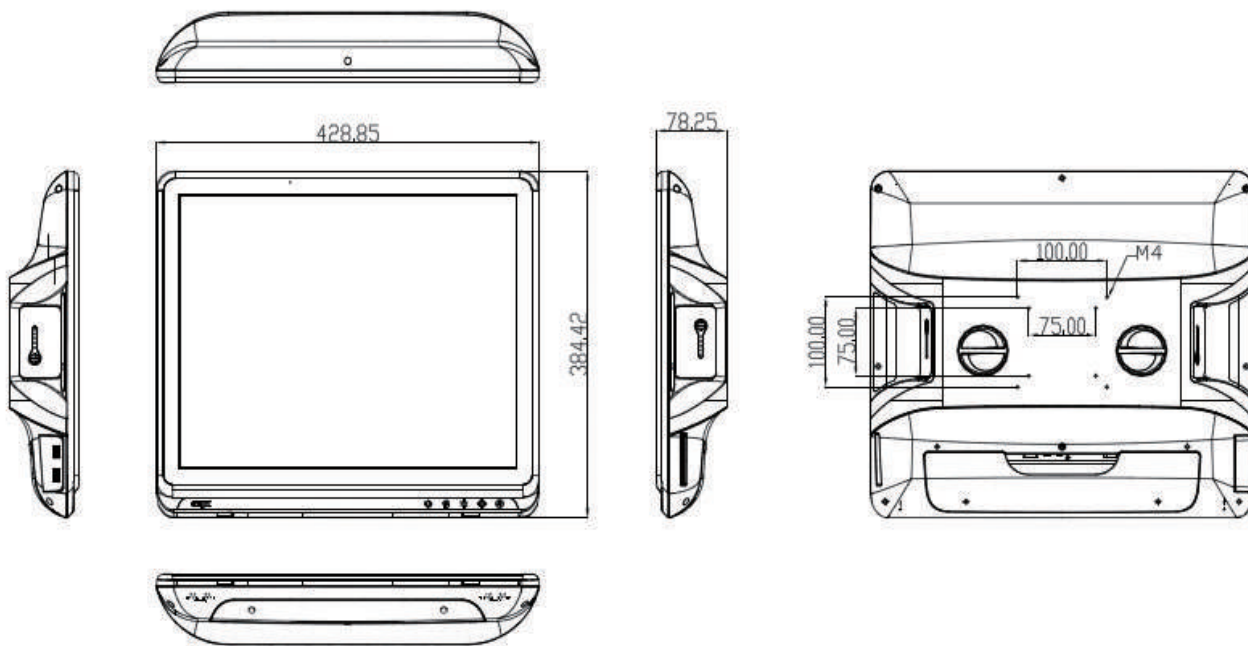
### Mechanical and Environmental

VESA	75/100 mm VESA mount
Operating Temperature	0°C ~ 35°C(32°F ~ 95°F)
Storage Temperature	-20°C ~ 60°C(-4°F ~ 140°F)
Storage Humidity	10%~95%@40°C, non-condensing
Degree of Protection	Front Panel: IP65 ; Rear: IPX1
Dimension	429(L) x 78(W) x 384(H) mm
Net Weight	5.5kg (12.13 lbs)
Packing Size	540(L) x 205(W) x 503(H) mm
Gross Weight	9kg (19.84 lbs)
Certifications	CE: EN 60601-1-2:2015(V4.0), EN 60601-1:2006/ A1:2013(V3.1) FCC: Part 18 Class B UL: ANSI/AAMI ES60601-1:2012 (V3.1) cUL: CAN/CSA-C22.2 No. 60601-1:2014 (V3.1)

ALL PRODUCT, PRODUCT SPECIFICATIONS AND DATA ARE SUBJECT TO CHANGE WITHOUT NOTICE TO IMPROVE RELIABILITY, FUNCTION OR DESIGN OR OTHERWISE.

## 19" Dual Hot Swappable Battery Medical Cart Computer

### Dimension / Unit: mm



### Ordering Information

- » VENUS-193ET-A6-1010  
Cart Computer. i5. 19". Fanless. R-TS. 4GB .SCR. TPM. XL Battery x 2

### Optional Accessories

- » 1255301501  
Medical Adaptor. 100-240V/1.0-2.5A 24V/6.25A 150W
- » OPM-S02R-A2  
RFID Reader Kit
- » OPM-C10W-A9  
WLAN dual band module kits. INTEL 802.11ac/a/b/g/n + BT
- » OPM-C12W-A9  
WLAN dual band module kits. Atheros 802.11a/b/g/n + BT 4.0
- » UP-L62-A1-1010  
6-Slot Charger +24V/250W adaptor
- » UP-P22-A2-1010  
2-Slot Charger + 24V Medical adaptor
- » OPM-V01C-02  
2MP Camera Kit with Mic



Medical Cart Computer

# 19"~24" Self-Power Cart Computer

## OPM-P01T

2 Battery kit. Lithium-ion 3S2P battery pack. 10.8V



### Specifications

Battery Type	3S2P / 6 Cell Lithium-ion battery
Battery Voltage	10.8V
Battery Capacity	5700 mAh / 61.56Wh
Warranty	1 year
Certification	UL,CE,IEC-60950-1,IEC-62133-1

#### Mechanical and Environmental

Dimension	84(L)x79(w)x48(H) mm
Weight	350g/pcs
Gross Weight	0.9kg(1.98 lbs)
Operating Temperature	0°C ~ 40°C(32°F ~ 104°F)

#### Ordering Information

- » OPM-P01T-03  
2 Battery Kit. Li-ion 3S2P, 10.8V, 5700mAh. Volume Order (via Ocean)

## OPM-P02T

2 XL Battery Li-ion 10.95V 8550mAh



### Specifications

#### Main Specifications

Battery Type	3S3P / 9 Cell Li-ion battery
Battery Voltage	10.95V
Battery Capacity	8550mAh / 93.62Wh
Warranty	1 year
Certification	UL, CE, IEC-60950-1, IEC-62133-1

#### Mechanical and Environmental

Dimension	122(L) x 79(W) x 50 (H) mm
Net Weight	504g /pcs
Operating Temperature	0°C ~ 40°C(32°F ~ 104°F)

#### Ordering Information

- » OPM-P02T-03  
2 XL Battery Kit. Li-ion 3S3P, 10.95V, 8550mAh. Volume Order (via Ocean)

## OPM-P03T

2 XXL Battery Kit. Li-ion. 10.8V. 12060mAh



### Specifications

#### Main Specifications

Battery Type	3S4P / 12 Cell Li-ion battery
Battery Voltage	10.8V
Battery Capacity	12060mAh / 130.2Wh
Warranty	2 year , 1000 cycle
Certification	UL, CE, IEC-60950-1, IEC-62133-1

#### Mechanical and Environmental

Dimension	137(L) x 79(W) x 48 (H) mm
Net Weight	690g (1.52lbs)/pcs
Operating Temperature	0°C ~ 40°C(32°F ~ 104°F)

#### Ordering Information

- » OPM-P03T  
2 XXL Battery Kit. Li-ion , 10.8V, 12060mAh. (via Ocean)

Medical Cart Computer

# 19"~24" Self-Power Cart Computer Accessory Selection

## UP-P22

2-slot battery charger



### Features

- Compatible with short battery and long battery (XL)
- Max 100W power output, mini-din 4pin x1LED
- 10W USB port x1 (power output only)
- Battery information monitor remotely (ORION)
- Support wall/cart mount. Fitting all environment
- LED indicator, clearly reveal recharge/discharge status

### Specifications

Battery Charge Time	3hrs for standard battery; 3.5hrs for XL battery
Input Power	24V Medical adaptor
Protection	Supports protection from over-voltage (input), over-current (input and output), short circuit, over-charge.
IO interface	Mini-din 4pin x1; USB Type A x1 (Power output only); USB micro-B x1(Data transport only); DC-in
Certification	CE: EN 60601-1-2:2015(V4.0), EN 60601-1:2006/A1:2013(V3.1) FCC: Part 18 Class B UL: ANSI/AAMI ES60601-1:2012 (V3.1) cUL: CAN/CSA-C22.2 No. 60601-1:2014 (V3.1)

### Mechanical and Environmental

Color	White
Dimension	191(L) x 64(W) x 117(H) mm
Net Weight	0.67kg (1.47 lbs)
Packing Size	390(L) x 290(W) x 110(H) mm
Gross Weight	2kg (4.41 lbs)
Operating Temperature	0°C ~ 35°C(32°F ~ 95°F)
Storage Temperature	-20°C ~ 60°C(-4°F ~ 140°F)

### Ordering Information

- » UP-P22-A2-1010  
2-slot charger. 24V medical adaptor

## OPM-P01C

6 -slot battery charger



### Features

- Battery information monitor remotely (ORION)
- Capable of charging 6 batteries simultaneously
- 6 Independent LED indicators, clearly reveal recharge status
- High-speed recharge and over charge protection

### Specifications

#### Main Specifications

Battery Charge Time	2.5 hrs for 85%, 3.5 hrs for 100%
Input Power	24V Medical adaptor
Protection	Supports protection from over-voltage (input), over-current (input and output), short circuit, over-charge.
IO interface	USB TypeA x 1(Data transport only), DC-in x 1
Certification	CE, FCC

#### Mechanical and Environmental

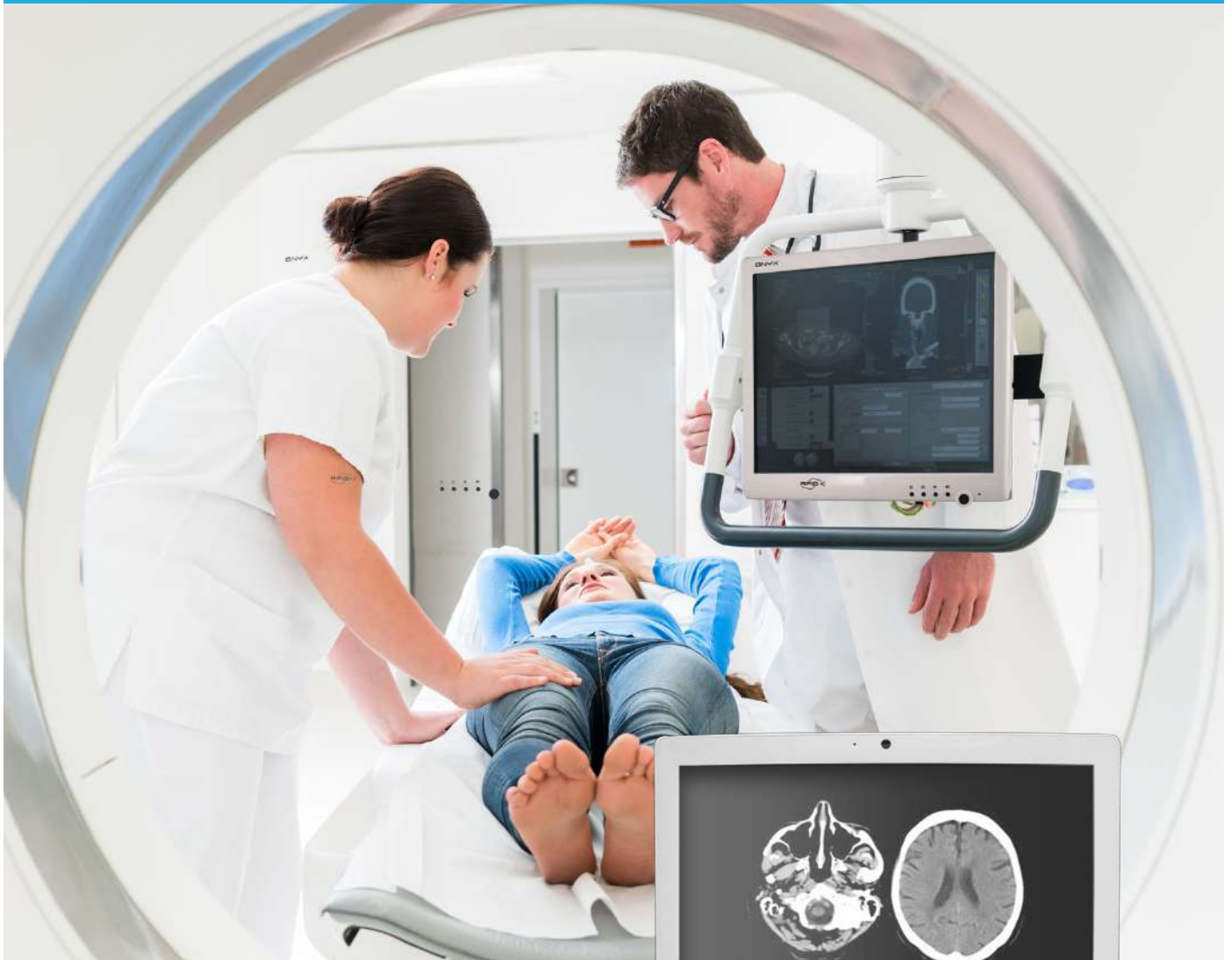
Color	White
Dimension	304(L) x 154(W) x 41(H) mm
Net Weight	1.16kg (2.56 lbs)
Packing Size	470(L) x 380(W) x 100(H) mm
Gross Weight	3kg (6.61 lbs)
Operating Temperature	0°C ~ 40°C(32°F ~ 104°F)
Storage Temperature	-20°C ~ 60°C(-4°F ~ 140°F)

### Ordering Information

- » OPM-P01C-03  
6-slot charger. 24V/250W adaptor

# Medical Power Panel PC

Onyx has developed an medical power panel PC that provides 24/7 non-stop service and offers true mobility. miniVenus features dual swappable batteries system and universal mounting slots. The battery system allow users to replace one of the batteries without turning the computer off . Also, the dual batteries design supply a very long running time and short charging time. Lightweight design provides high strength and great heat dissipation, and it has mounting slots that will fit any medical cart.



- »» Intel® Core™ processor
- »» Dual swappable batteries provide continuous power for 24/7 non-stop operation
- »» Highest level of medical safety protection, EMC4.0 / Safety3.1
- »» Fanless design, low risk of cross-infection
- »» ORION, Hospital IT Management Software Package
- »» Standard VESA 75/100 mount fits all medical carts

## Intel® Core™ Platform for Better Performance

MiniVenus offer high-performance Intel® Core™ U-series processor, which can meet most requirements of medical applications.



## Swappable Battery design

Dual swappable battery design with medical level high-capacity batteries can provide uninterrupted power for a long time.



## Quiet, Clean & Easy to Maintain

Medical Power Panel PCs utilize a fanless heatsink on the back cover to efficiently dissipate heat generated from processor and chipset. The fanless cooling design keeps the environment quiet, clean and lower maintenance efforts.



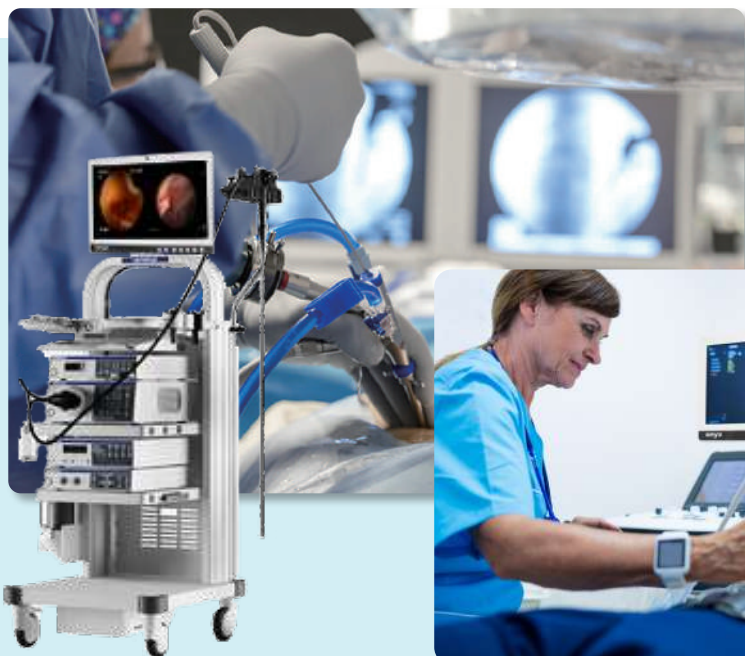
## TPM

A Trusted Platform Module increase privacy and security utilizing hardware-encryption with files to ensure sensitive information remains safe and secure.



## Long-term product life support

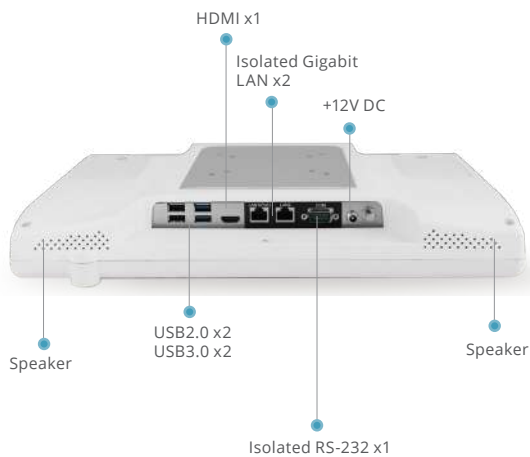
Onyx provides stable and long-term support to our customer. Customer could focus on business promotion and product development.



# Medical Power Panel PC

## Venus-173

17" Intel i7/i5/i3 Medical Panel PC with Dual Battery



### Features

- Highest level of medical safety protection , EMC4.0/ Safety 3.1
- Cleanability with hospital solvents
- Hot swappable design, support 24/7 run time
- Intel® Skylake Dual-Core i5
- Support remote monitor/control/update (ORION compatible)
- isolated LAN / COM port

### Specifications

#### Main Specifications

Processor	Intel® Skylake Dual-Core i5
System Memory	DDR4 up to 16GB
OS Support	Microsoft® Windows 7 (32bit/64bit) Microsoft® Windows 8.1 (64bit) Microsoft® Windows 10 (64bit) Ubuntu 18.04 LTS IGEL (thin client solution)
Graphics	Intel® HD Graphics 520
Storage	M.2 SSD up to 512GB (optional)
Wireless Communication	802.11 ac/a/b/g/n + BT 4.0 (optional)
Touch	R-TS
Speaker	3W x2
Security	TPM 2.0

#### Display

Display Size	17"
Resolution	1280 x 1024
Max. Colors	16.7M
Contrast Ratio	1000:1
Luminance (cd/m2)	250

#### I/O

USB	USB 3.0 x2, USB 2.0 x2
Video Out	HDMI 1.4 x1
COM	COM port x1
Ethernet	Gigabit LAN x 2
DC-in	12V DC-in x1

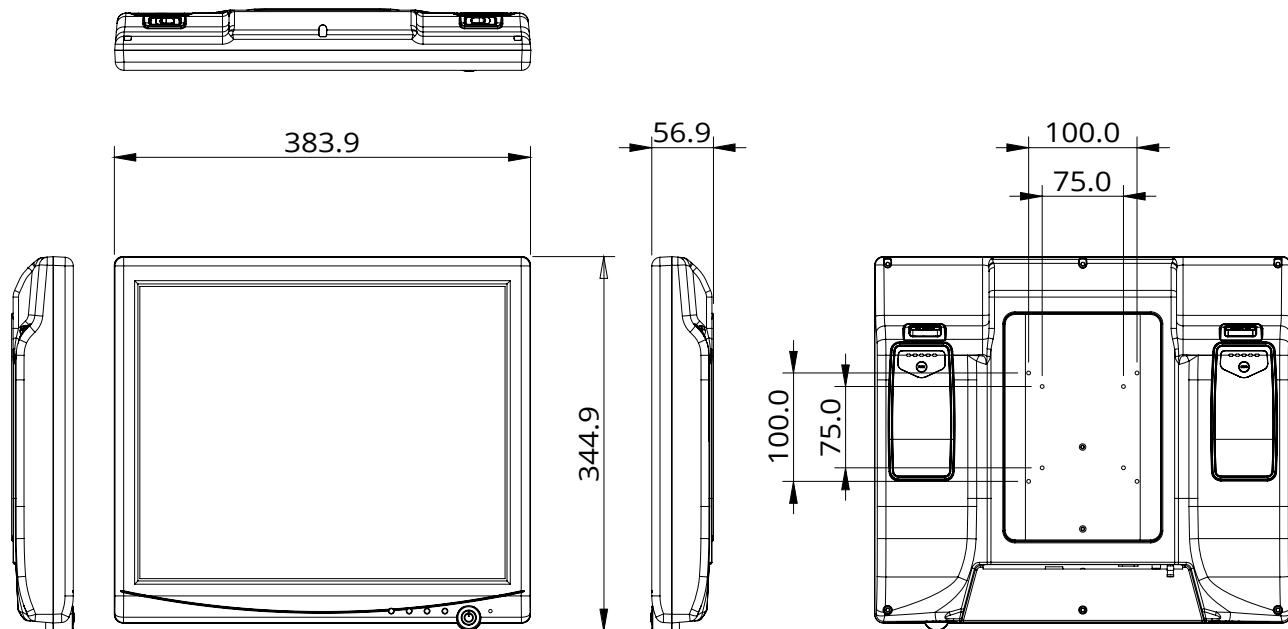
#### Mechanical and Environmental

VESA	75/100 mm VESA mount
Operating Temperature	0°C ~ 35°C(32°F ~ 95°F)
Storage Temperature	-20°C ~ 60°C(-4°F ~ 140°F)
Storage Humidity	10%~95%@40°C, non-condensing
Degree of Protection	IPX1
Dimension	384(L) x 57(W) x 345(H) mm
Net Weight	4.5kg
Packing Size	510(L) x 200(W) x 480(H) mm
Gross Weight	5.6 Kg
Certifications	CE: EN 60601-1-2:2015(V4.0), EN 60601-1:2006/ A1:2013(V3.1) FCC: Part 18 Class B UL: ANSI/AAMI ES60601-1:2012 (V3.1) cUL: CAN/CSA-C22.2 No. 60601-1:2014 (V3.1)

ALL PRODUCT, PRODUCT SPECIFICATIONS AND DATA ARE SUBJECT TO CHANGE WITHOUT NOTICE TO IMPROVE RELIABILITY, FUNCTION OR DESIGN OR OTHERWISE.

## 17" Intel i7/i5/i3 Medical Panel PC with Dual Battery

### Dimension / Unit: mm



### Ordering Information

- » VENUS-173-R62-A1-0001  
Mobile Computer , i5 6200U ,17" Fanless, R-TS . TPM . Battery x 2

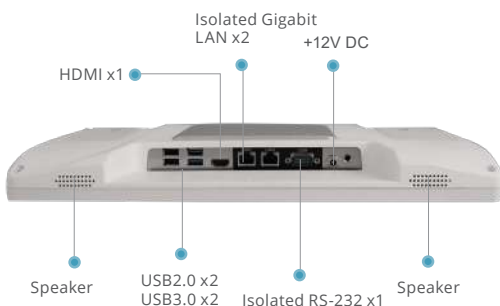
### Optional Accessories

- » 1757306039  
Medical Adaptor , 12V/60W
- » OPM-C10W-A5  
WLAN dual band module kits , Intel 802.11 ac/a/b/g/n + BT 4.2
- » OPM-C12W-A5  
WLAN dual band module kits , Atheros 802.11 a/b/g/n + BT 4.0
- » UP-M62-A1-1010  
6-Slot Charger + 24V / 120W adaptor

## Medical Power Panel PC

# Venus-153

15.6" Intel i7/i5/i3 Medical Panel PC with Dual Battery



## Features

- Highest level of medical safety protection , EMC4.0/ Safety 3.1
- Cleanability with hospital solvents
- Hot swappable design, support 24/7 run time
- Intel® Skylake Dual-Core i5
- Support remote monitor/control/update (ORION compatible)
- isolated LAN / COM port

## Specifications

### Main Specifications

Processor	Intel® Skylake Dual-Core i5 / Celeron 3955U
System Memory	DDR4 up to 16GB
OS Support	Microsoft® Windows 7 Microsoft® Windows 8.1 Microsoft® Windows 10 Ubuntu 18.04 LTS IGEL (thin client solution)
Graphics	Intel® HD Graphics 520
Storage	M.2 SSD up to 512GB (optional)
Wireless Communication	802.11 ac/a/b/g/n + BT 4.0 (optional)
Touch	Project Capacitive Touch / Resistive Touch
Speaker	3W x2
Security	TPM 2.0

### Display

Display Size	15.6"
Resolution	1920 x 1080
Max. Colors	262K
Contrast Ratio	500:1
Luminance (cd/m2)	220

### I/O

USB	USB 3.0 x2, USB 2.0 x2
Video Out	HDMI x1
COM	COM port x1
Ethernet	Gigabit LAN x 2
DC-in	12V DC-in x1

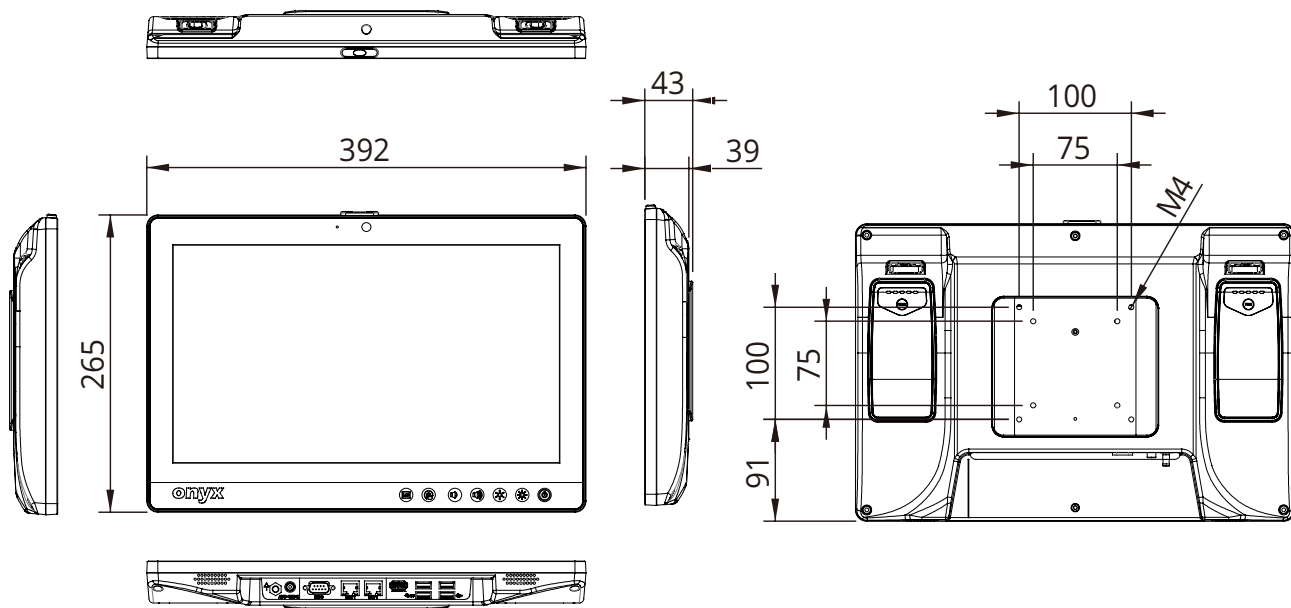
### Mechanical and Environmental

VESA	75/100 mm VESA mount
Operating Temperature	0°C – 35°C(32°F – 95°F)
Storage Temperature	-20°C – 60°C(-4°F – 140°F)
Storage Humidity	10%–95%@40°C, non-condensing
Degree of Protection	Front Panel: IP65 ; Rear: IPX1
Dimension	392(L) x 43(W) x 265(H) mm
Net Weight	2.7kg
Packing Size	520(L) x 190(W) x 400(H) mm
Gross Weight	4.7 Kg
Certifications	CE: EN 60601-1-2:2015(V4.0), EN 60601-1:2006/ A1:2013(V3.1) FCC: Part 18 Class B UL: ANSI/AAMI ES60601-1:2012 (V3.1) cUL: CAN/CSA-C22.2 No. 60601-1:2014 (V3.1)

ALL PRODUCT, PRODUCT SPECIFICATIONS AND DATA ARE SUBJECT TO CHANGE WITHOUT NOTICE TO IMPROVE RELIABILITY, FUNCTION OR DESIGN OR OTHERWISE.

## 15.6" Intel i7/i5/i3 Medical Panel PC with Dual Battery

### Dimension / Unit: mm



### Ordering Information

- » VENUS-153-R62-A1-0001  
Mobile Computer , i5 6200U ,15.6" Fanless, R-TS . TPM . Battery x 2
- » VENUS-153-P39-A1-0001  
Mobile Computer , i5 3955U ,15.6" Fanless, PCAP . TPM . Battery x 2

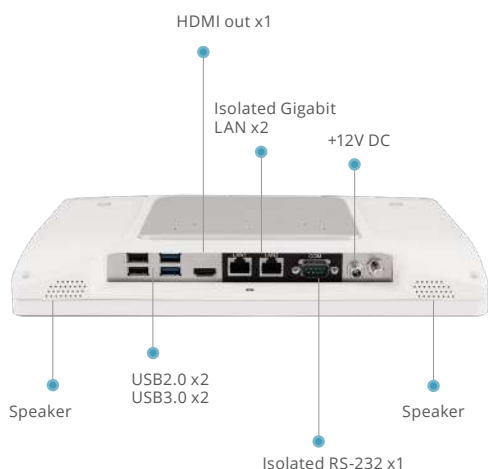
- » 1757306039  
Medical Adaptor , 12V/60W
- » OPM-C10W-A5  
WLAN dual band module kits , Intel 802.11 ac/a/b/g/n + BT 4.2
- » OPM-C12W-A5  
WLAN dual band module kits , Atheros 802.11 a/b/g/n + BT 4.0
- » UP-M62-A1-1010  
6-Slot Charger + 24V / 120W adaptor
- » OPM-V01C-04  
2M Camera kit with Mic



## Medical Power Panel PC

# Venus-123

11.6" Intel i7/i5/i3 Medical Panel PC with Dual Battery



## Features

- Highest level of medical safety protection , EMC4.0/ Safety 3.1
- Cleanability with hospital solvents
- Hot swappable design, support 24/7 run time
- Intel® Skylake Dual-Core i5
- Support remote monitor/control/update (ORION compatible)
- isolated LAN / COM port

## Specifications

### Main Specifications

Processor	Intel® Skylake Dual-Core i5 /Celeron 3955U
System Memory	DDR4 up to 16GB
OS Support	Microsoft® Windows 7 Microsoft® Windows 8.1 Microsoft® Windows 10 Ubuntu 18.04 LTS IGEL (thin client solution)
Graphics	Intel® HD Graphics 520
Storage	M.2 SSD up to 512GB (optional)
Wireless Communication	802.11 ac/a/b/g/n + BT 4.0 (optional)
Touch	Project Capacitive Touch / Resistive Touch
Speaker	3W x2
Security	TPM 2.0

### Display

Display Size	11.6"
Resolution	1366 x 768
Max. Colors	262K
Contrast Ratio	500:1
Luminance (cd/m2)	250

### I/O

USB	USB 3.0 x2, USB 2.0 x2
Video Out	HDMI out x1
COM	COM port x1
Ethernet	Gigabit LAN x 2
DC-in	12V DC-in x1

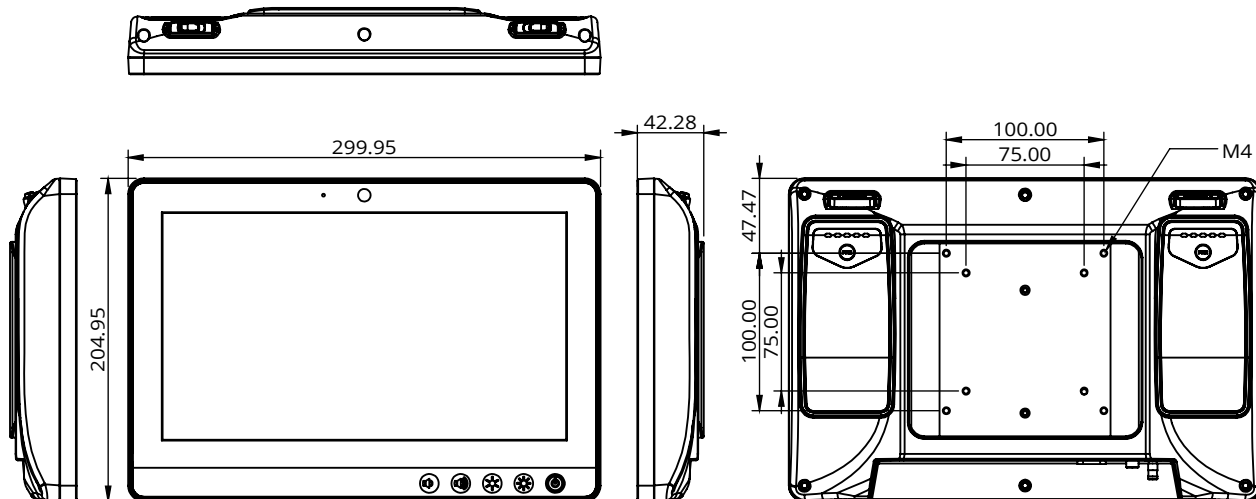
### Mechanical and Environmental

VESA	75/100 mm VESA mount
Operating Temperature	0°C ~ 35°C(32°F ~ 95°F)
Storage Temperature	-20°C ~ 60°C(-4°F ~ 140°F)
Storage Humidity	10%~95%@40°C, non-condensing
Degree of Protection	Front Panel: IP65 ; Rear: IPX1
Dimension	300(L) x 43(W) x 205(H) mm
Net Weight	1.9kg
Packing Size	420(L) x 185(W) x 345(H) mm
Gross Weight	2.6 Kg
Certifications	CE: EN 60601-1-2:2015(V4.0), EN 60601-1:2006/ A1:2013(V3.1) FCC: Part 18 Class B UL: ANSI/AAMI ES60601-1:2012 (V3.1) cUL: CAN/CSA-C22.2 No. 60601-1:2014 (V3.1)

ALL PRODUCT, PRODUCT SPECIFICATIONS AND DATA ARE SUBJECT TO CHANGE WITHOUT NOTICE TO IMPROVE RELIABILITY, FUNCTION OR DESIGN OR OTHERWISE.

## 11.6" Intel i7/i5/i3 Medical Panel PC with Dual Battery

### Dimension / Unit: mm



### Ordering Information

- » VENUS-123-R62-A1-0001  
Mobile Computer , i5 6200U ,11.6" Fanless, R-TS . TPM . Battery x 2
- » VENUS-123-P62-A1-0001  
Mobile Computer , i5 6200U ,11.6" Fanless, Pcap . TPM . Battery x 2
- » VENUS-123-P39-A1-0001  
Mobile Computer ,3955U ,11.6" Fanless, Pcap . TPM . Battery x 2

### Optional Accessories

- » 1757306039  
Medical Adaptor , 12V/60W
- » OPM-C10W-A4  
WLAN dual band module kits , Intel 802.11 ac/a/b/g/n + BT 4.2
- » OPM-C12W-A4  
WLAN dual band module kits , Atheros 802.11 a/b/g/n/ac+ BT 4.1
- » UP-M62-A1-1010  
6-Slot Charger + 24V / 120W adaptor
- » OPM-V01C-03  
2MP Camera Kit with Mic

Medical Power Panel PC

# 12"~ 17" Mini Mobile Computer Accessory Selection

## OPM-P05T

Venus-123/153/173 Battery Packs (2x)



## Specifications

Battery Type	253P / 6 Cell Lithium-ion battery
Battery Voltage	7.2V
Battery Capacity	4545 mAh / 32.72Wh
Warranty	1 year
Certification	UL,CE,IEC-60950-1,IEC-62133-1

### Mechanical and Environmental

Color	White
Dimension	127(L) x 60(w) x 21(H) mm
Net Packing Size	199(L) x 175(w) x 42(H) mm
Weight	305g/pcs
Gross Weight	0.9kg(1.98 lbs)
Operating Temperature	0°C ~ 40°C(32°F ~ 104°F)
Storage Temperature	-20°C ~ 60°C(-4°F ~ 140°F)

## Ordering Information

- » OPM-P05T-A4  
Battery Kits (2x) 253P/7.2V for Venus-123/153/173

## UP-M62

Venus-123/153/173 6-slots Charger



## Optional Accessories

Part Number	UP-M62
Description	Battery Charger
Input Power	24V
Installations	Stationary
IO	1x Micro USB (Client) 1x DC-In
LED Indicator	Flickering Blue: Battery Charging Steady Blue: Battery Fully Charged Flickering Purple Green: Error
Dimensions	245.95 x 124.64 x 143.65mm
Weight	860g
Operating Temperature	-0°C ~ 40°C(32°F ~ 104°F)
Storage Temperature	-20°C ~ 60°C(-4°F ~ 140°F)

## Ordering Information

- » UP-M62-A1-1010  
6-slots Charger for Venus-123/153/173



# Medical Power Bank

The genius of the UPower system is in its unique, groundbreaking design. UPower gives you the capability of providing endless power with an innovative dual hot swappable battery architecture that ensures your device remains powered even while you are replacing a battery.

UPower Pro-22 include a voltage selection DC-output that allows users to select the desired voltage setting. Users can select from 12, 19, or 24 volts based on their additional power requirements.

## UPower



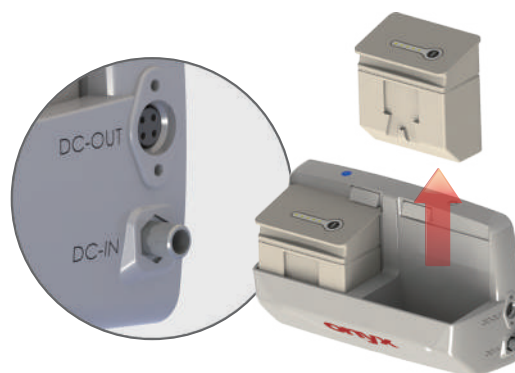
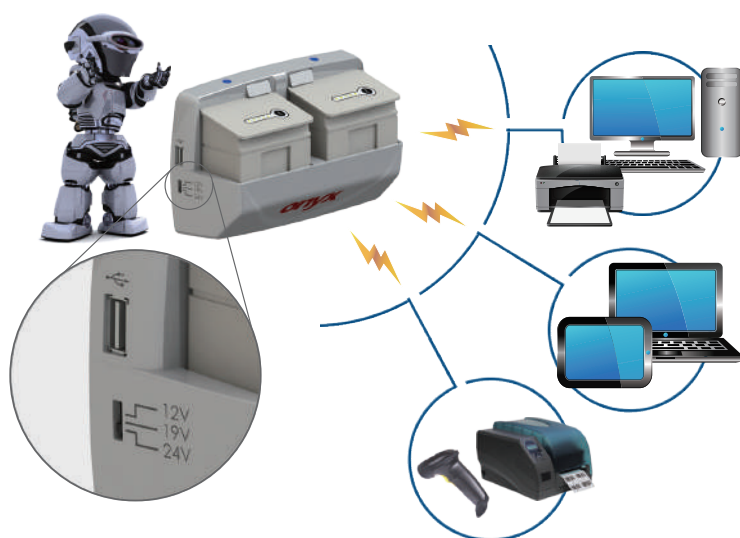
## Key Features

- »» External DC output (2/4 slot only)
- »» Selected voltage (2 slot: 12/19/24V ; 4-slot 12/15/19/24V)
- »» Non-stop, Dual hot swappable batteries architecture
- »» Software (ORION) remote monitor
- »» Capable of charging 2/6 batteries simultaneously.
- »» 2/6 Independent LED indicators, clearly reveal recharge status
- »» High-speed recharge and over charge protection

# UPower

## Swappable Batteries

Our UPower give you the capability of providing endless power with its unique swappable battery architecture. You will never again be in danger of losing power when it is most critically needed.



## User Selected Voltage

Since electronic devices operate with varying voltage requirements, we created a multi-voltage power bank that allows users to personally select the proper voltage setting. Users can select from 12, 19, or 24 volts based on their needs.

## ORION Management

These “smart” power banks can be managed with our new ORION device management software solution that intelligently monitors the status of all the batteries connected to the system.



## Vital Sign Application

Hospital intensive care units (ICU) specialize in providing intensive care for patients suffering from severe injuries and life-threatening illness. Patients in intensive care units must be monitored constantly not only by highly trained hospital staff, but also with specialized medical equipment to make sure they remain in stable condition while recovering from serious medical emergencies, or surgery.

With UPower, battery powered medical devices will never again be in danger of losing power when it is most critically needed—and that’s a thought that doctors, patients, and all ICU staff can find reassuring and comforting.



Medical Power Bank

# UPower Pro-43

4-Slot Hot Swappable Battery Medical Power Bank



## Features

- Compatible with onyx XL battery and XXL battery (not for STD battery)
- Two mode for user
  - Normal mode : max capacity – 90W/520Wh (with XXL battery)
  - Power mode : max output – 90W/260Wh + 65W/260Wh (with XL battery)
- 3x DC output
- Selectable voltage for each DC-out (12V / 15V / 19V / 24V)
- Built-in wifi chip for remote monitor directly
- LED indicator, clearly reveal recharge/discharge status

## Specifications

### Main Specifications

	UP-43L (Charger only)	UP-43P (Power Bank)
Output Voltage	12/19/24V (can be selected only one voltage)	DC out x3 Selectable voltage for each port. 12/15/19/24V (only one voltage at the same time for one port)
Output Capacity	90W mini-din 4pin x1; 10W USB Type A x1 (power output only) *check user manual for more detail info	Normal mode : share 90W with 2 port Power mode : 90W for ch1; 65W for ch2 Medical 45W AC output (optional)
Charge Time	Normal Charge: 8hrs for XL battery; 10hrs for XXL battery Fast Charge: 3.5hrs for XL	6hrs for XL battery; 8hrs for XXL battery (no charge when power output)
Function Key	Fast Charge Button : normal charge fast charge	Power Mode Button : Normal(max capacity) Power mode(max output) Charge Button : Power output charger
Extend Function	Adaptor holder (optional) Cart mount bracket (optional)	Adaptor holder (optional) Cart mount bracket (optional) UP board (optional) 45W Medical AC inverter (optional)
Safety	Supports protection from over-voltage (input), over-current (input and output), short circuit, over-charge.	
Certification	CE, FCC, IEC60601-1	

### Mechanical and Environmental

Architecture	ABS + PC
Color	White
Dimension	255(L) x 160(W) x 213(H) mm
Net Weight	1kg (1.47 lbs) (w/o battery)
Operating Temperature	0°C ~ 35°C(32°F ~ 95°F)
Storage Temperature	-20°C ~ 60°C(-4°F ~ 140°F)
Storage Humidity	10%~95%@35°C, non-condensing

### Power Supply Specification

Input Voltage	100-240V AC @50-60 Hz
Output Power	24V / 250W max

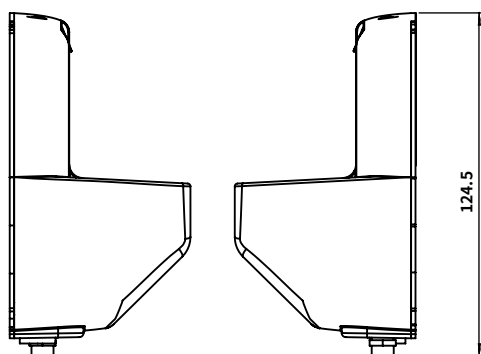
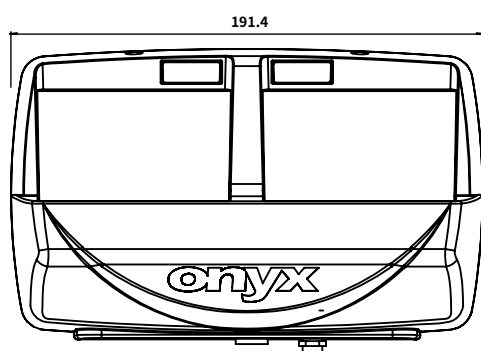
## Ordering Information

- » UP-43L-A1-1010 (Charge only)  
4-slot Charger.24V/250W adaptor
- » UP-43P-A1-1010 (Power Bank)  
4-slot Power Bank.12/15/19/24V DC output.24V/250W
- » OPM-P02T-03  
8550mAh/10.95V battery x2
- » OPM-P03T-03  
12060mAh/10.8V battery x2

Medical Power Bank

# UPower Pro-22

2-Slot Swappable Battery



## Features

- Compatible with std battery , XL battery and XXL battery
- Max 90W power output, mini-din 4pin x1
- 10W USB port x1 (power output only)
- Selected voltage (12V / 19V / 24V)
- Non-stop, swappable batteries architecture
- Battery information monitor remotely (ORION)
- Support wall/cart mount. Fitting all environment
- LED indicator, clearly reveal recharge/discharge status

## Specifications

### Main Specifications

Output Voltage	12/19/24V (can be selected only one voltage)
Output Capacity	90W mini-din 4pin x1; 10W USB Type A x1 (power output only) *check user manual for more detail info
Battery Charge Time	3hrs for standard battery; 3.5hrs for XL battery; 4.5hrs for XXL battery
Input Power	24V Medical adaptor
Protection	Supports protection from over-voltage (input), over-current (input and output), short circuit, over-charge.
IO interface	Mini-din 4pin x1; USB Type A x1 (Power output only); USB micro-B x1(Data transport only); DC-in
Certification	CE: EN 60601-1-2:2015(V4.0), EN 60601-1:2006/A1:2013(V3.1) FCC: Part 18 Class B UL: ANSI/AAMI ES60601-1:2012 (V3.1) cUL: CAN/CSA-C22.2 No. 60601-1:2014 (V3.1)

### Mechanical and Environmental

Architecture	ABS + PC
Color	White
Dimension	191(L) x 64(W) x 117(H) mm
Net Weight	0.67kg (1.47 lbs)
Packing Size	390(L) x 290(W) x 110(H) mm
Gross Weight	2kg (4.41 lbs)
Operating Temperature	0°C ~ 35°C(32°F ~ 95°F)
Storage Temperature	-20°C ~ 60°C(-4°F ~ 140°F)
Storage Humidity	10%~95%@35°C, non-condensing

### Battery LED Indicator

Blue Lighting	Full Charge (AC mode)
Blue Flashing	Charging (AC mode)
Green Lighting	Capacity 16%~100% (Battery mode)
Orange Lighting	Capacity 8%~15% (Battery mode)
Purple Lighting	Capacity 0%~7% (Battery mode)
Green-Purple Flashing	Charging error

### Power Supply Specification

Input Voltage	100-240V AC @50-60 Hz
Output Power	24V / 6.25A

### Battery Pack (optional)

Battery Type	6 / 9 / 12 Cell Lithium-ion battery
Battery Capacity	5700 / 8550 / 12060 mAh
Output Voltage	10.8 / 10.95 / 10.8 V

## Ordering Information

- » UP-P22-A3-1010  
2-slot Charger with DC output + 24V adaptor



Medical Power Bank

# OPM-P01T / OPM-P02T

Li-ion Battrey kit (include 2pcs batteries)

## OPM-P01T

Li-ion 3S2P battery pack.  
10.8V. 5700 mAh



### Features

- Support battery management system, remote monitor and auto alarm
- LED indicator, easily to check battery status
- Light weight, only 320g!!

### Specifications

Battery Type	3S2P / 6 Cell Lithium-ion battery
Battery Voltage	10.8V
Battery Capacity	5700 mAh
Warranty	1 year
Certification	UL,CE,IEC-60950-1,IEC-62133-1

#### Mechanical and Environmental

Color	White
Dimension	84(L)x79(w)x48(H) mm
Net Packing Size	230(L)x150(w)x90(H) mm
Weight	320g/pcs
Gross Weight	0.9kg(1.98 lbs)
Operating Temperature	0°C ~ 40°C(32°F ~ 104°F)
Storage Temperature	-20°C ~ 60°C(-4°F ~ 140°F)
Storage Humidity	10%~95%@35°C, non-condensing

### Ordering Information

- » OPM-P01T-03  
2 Battery Kit. Li-ion 3S2P, 10.8V, 5700mAh. Volume Order (via Ocean)

## OPM-P02T

Li-ion 3S3P battery pack  
10.95V 8550mAh



### Features

- Compatible with all Venus-series and all UPower-series
- X1.5 battery capacity increase
- Supports remote management software (ORION)
- Battery capacity indicator button
- Medical grade certified (with Venus)
- Lightweight design

### Specifications

#### Main Specifications

Battery Type	3S3P / 9 Cell Li-ion battery
Battery Voltage	10.95V
Battery Capacity	8550mAh
Warranty	1 year
Charging time	3hrs for 90% ; 3.5hrs for 100% ( with UPower Pro-series)
Safety	Supports protection from over-voltage (input and output), over-current (input and output), short circuit, over-charge, over-discharge, and battery Positive Temperature Coefficient(PTC)
Compatible	Venus all series, UPower all series
Certification	UL, CE, IEC-60950-1, IEC-62133-1

#### Mechanical and Environmental

Architecture	ABS + PC
Color	White
Dimension	122(L) x79(W) x 50 (H) mm
Net Weight	0.5kg (1.10 lbs)
Packing Size	220(L) x 180(W) x 80(H) mm
Gross Weight	1.3kg (2.87 lbs)

### Ordering Information

- » OPM-P02T-03  
2 XL Battery Kit. Li-ion 3S3P, 10.95V, 8550mAh. Volume Order (via Ocean)

Medical Power Bank

# OPM-P03T

Li-ion 3S4P battery pack. 10.8V. 12060mAh



## Features

- 2 Years 1000 cycle warranty
- 130Wh battery capacity
- Smart LED: battery status indicator for end user
- Compatible with all Venus and UPower series

## Specifications

### Main Specifications

Battery Type	3S4P / 12 Cell Li-ion battery
Battery Voltage	10.8V
Battery Capacity	12060mAh
Warranty	2 year , 1000 cycle
Charging time	4.5hrs with UPower Pro-series
Safety	Supports protection from over-voltage (input and output), over-current (input and output), short circuit, over-charge, over-discharge, and battery Positive Temperature Coefficient(PTC)
Compatible	Venus all series, UPower all series
Certification	UL, CE, IEC-60950-1, IEC-62133-1

### Mechanical and Environmental

Color	White
Dimension	137(L) x 79(W) x 48 (H) mm
Net Weight	0.7kg (1.54lbs)/pcs
Packing Size	234(L) x 180(W) x 76(H) mm
Gross Weight	1.7kg (3.75 lbs)
Operating Temperature	0°C - 35°C(32°F - 95°F)
Storage Temperature	-20°C - 60°C(-4°F - 140°F)
Storage Humidity	10%-95%@35°C, non-condensing

## Ordering Infomation

Please access to our Webshop for more detail

<http://webshop-onyxhealthcare.com>

# ORION-Battery Management System

ORION is a complete software solution that controls every part of your Onyx device infrastructure from the server, to the software manager and client devices. This system works the same way as the email servers we use every day to communicate. Each ORION system has a single server that connects to nursing carts (clients) that push their information to the server (similar to sending an email). The software manager collects information on the server received from the nursing carts to perform further analysis like battery cycle count or capacity attenuation.



## Key Features

- »» Everything Remotely
- »» Break Up the Whole Into Parts
- »» To Improve the Quality



## + Remote Backup / Recovery

IT Managers can remotely perform critical operating system backup / recovery operations without having to be at any device's physical location.



## + Remote Update / Installation

System software / firmware installation and updates can also be performed remotely saving valuable time and resources.



## + E-mail Reporting

ORION includes an integrated e-mail client for regularly scheduled event reporting.



## + Battery Diagnostics

With potentially thousands of batteries in use in a single hospital, ORION can monitor them all with diagnostic tools that alert users of any battery-related errors.



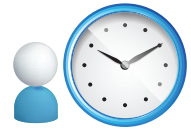
# ORION

ORION is a complete software solution that controls every part of your Onyx device infrastructure from the server, to the software manager and client devices. This system works the same way as the email servers we use every day to communicate. Each ORION system has a single server that connects to nursing carts (clients) that push their information to the server (similar to sending an email). The software manager collects information on the server received from the nursing carts to perform further analysis like battery cycle count or capacity attenuation.



## + Real-time Remote Monitoring

Real-time remote monitoring provides quick data feedback to help IT managers diagnose and fix system problems.



## + User-friendly Interface

ORION's user-friendly graphical interface conveniently organizes important data in a way that lets you quickly and easily review systemwide performance.



## + Customizable Dashboard

All IT managers have their own preferences for how to perform their duties. ORION's customizable dashboard gives IT managers the freedom to set operational parameters to their own liking to maximize efficiency.



## + Automated Task Scheduling

With automated task scheduling, ORION takes care of less important repetitive tasks so you can focus on more important priorities.



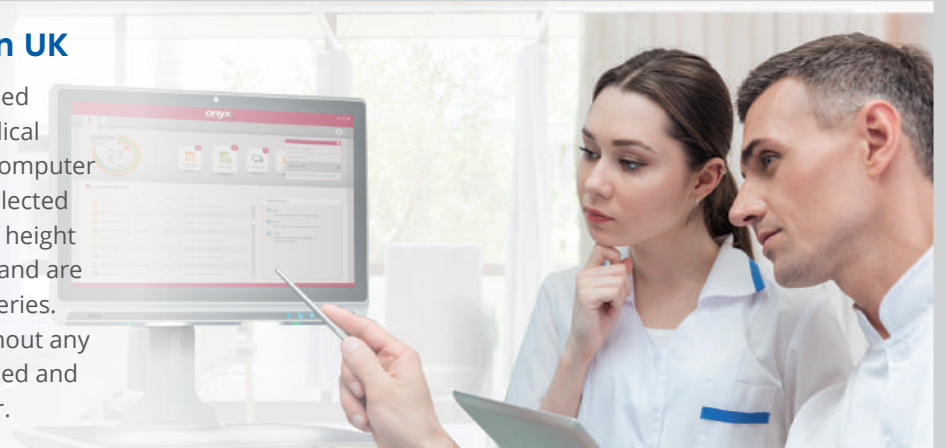
## + Group Settings

Device settings can be managed and saved by groups so that each department in a facility can have custom-managed devices.



### Successful Story – NHS in UK

The Trust went live with their EPR called e-Care on 30th April 2016. Parity Medical were the chosen supplier of mobile computer carts. The Parity Infinity carts were selected after trialling as they are light weight, height adjustable, ergonomic, easy to clean and are powered 24/7 by hot swappable batteries. It was a big project that went live without any hiccups. Phase 2 has now been enabled and will be phased in throughout the year.





## ORION Remote

Hospital IT Management Software Package

### Main Specifications

Component	ORION Server + ORION Manager + ORION Clients
Description	To get the permission to manage ORION Client remotely

### CORE FUNCTION

Battery Diagnostics	✓
Friendly UI	✓
Remote Backup/Recovery	✓
Remote Update/Installation	✓
E-Mail Reporting	✓
Automated Task Scheduling	✓
Group Settings	✓
Real-time Remote Monitoring	✓
Customizable Dashboard	✓

### Ordering Information

ORION-A01-V2	ORION Air permission (per client)
--------------	-----------------------------------

### Hardware Requirement

#### ► ORION Server

CPU	1.6GHz or faster
RAM	1GB
Storage	20MB per client for one month record 10G for 500 clients for one month record
OS	Windows 7, Windows 8.1, Windows 10

#### ► ORION Manager

CPU	1.6GHz or faster
RAM	1GB
Display	DirectX 9-capable video card running at 1024 x 768 or higher display resolution
OS	Windows 7, Windows 8.1, Windows 10
Other	Net Framework 4.0 above

# Mobile Medical Tablet

Onyx Mobile Medical Assistant tablets are especially designed to streamline data exchange for EMS and hospitals. With rugged features, high brightness LCD and high performance CPU, these tablets can be operated in harsh environments while delivering superb performance and a crystal clear image. Onyx Mobile Medical Assistant tablets help eliminate medical paperwork by automating EMS and hospital workflows allowing paramedics and nurses to instantly access and document patient records.

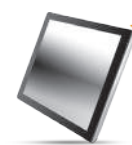


## Key Features

- » Effortless data collection and documentation with significant error reduction
- » Seamless integration of medical devices
- » Medical & ambulance dual certifications
- » Continuous power for 24/7 non-stop operation
- » Rugged design for outdoor and indoor use
- » Reduce hospital and ambulance service TOC

### **+** Light weight & compact size

The weight of MD101 is less than 1kg, and the compact size design let user can easy to carry the device to anywhere they want.



### **+** 10 points PCT touch Screen

Multi-touch has been implemented in several different ways. MD series provides 10 points touch functions to the user to do any control missions.



### **+** Windows OS support

MD series is supported by Windows OS which has good compatibility to the other medical device. The same windows user interface let user can easy to make use of the device.



Windows

### **+** Wi-Fi and Bluetooth V4.0 support

MD series has designed Wi-Fi 802.11b/g/n and 2.4GHz/ BT v4.0 inside. It help user easy to receive and deliver the medical data to other devices.



### **+** Long term product life time support

ONYX provides stable and long term support to our customers. Customers could focus on business promotion and product development.





# Mobile Medical Tablet

# MD116/MD116I

12" Fanless Intel ATOM / i5 Medical Tablet



## Features

- Intel® Apollo Lake processor / Sky Lake U processor / Kaby lake U processor
- Dual hot-swappable batteries for 24/7 operation
- Dual smart card readers for multiple-care workflow
- Standard USB Type-A and RJ45 for easy connection to medical devices
- IP54 certified & 3 feet drop resistant
- ORION client compatible
- Instant vehicle docking system
- Automotive Directive and EN1789 certified for ambulances/medical transportation vehicles

## Specifications

Main Specifications	MD116	MD116I
Processor	Intel® Apollo Lake Processor	Intel® Kaby Lake Core i5 U Processor
System Memory	DDR3L SO-DIMM x1, Default 4 GB (Up to 8 GB),	DDR4 SO-DIMM x1, Default 4 GB (Up to 16 GB)
OS Support	Microsoft® Windows 10 IOT LTSB	
Storage	M.2 Interface x1, Default 64 GB	
Wireless Communication	802.11 a/b/g/n + BT4.0 (Optional)	
Camera	2 MP (Front) / 5 MP (Rear) (optional)	
Touchscreen	Projected Capacitive Touchscreen,w/Gorilla Glass	
Digital Accelerometer	ADI ADXL345	
Ambient Light Sensor	TAOS TSL2581	
LTE+GPS	Sierra EM7455x 2 (Optional)	Sierra EM7455 x 1(Optional)
Function Keys	x2	
LED Indicators	x2	
Speaker	2W x1	
Internal Mic	x1	
Power Requirement	DC 12V	
Security	Smart Card Reader x2 , RFID x1 (optional)	

### Display

Display Size	11.6" 16:9 Widescreen LED Panel	
Resolution	FHD 1920 x 1080	
Max. Colors	16.7M	
Contrast Ratio	800:1	
Luminance (cd/m2)	300nits	600nits

### I/O

USB	USB 3.0 (Type-A) x1, USB 2.0 (Type-A) x1	
Ethernet	Gigabit LAN x1	
DC-In	DC-in Jack x1	
Docking	Docking Connector x1	

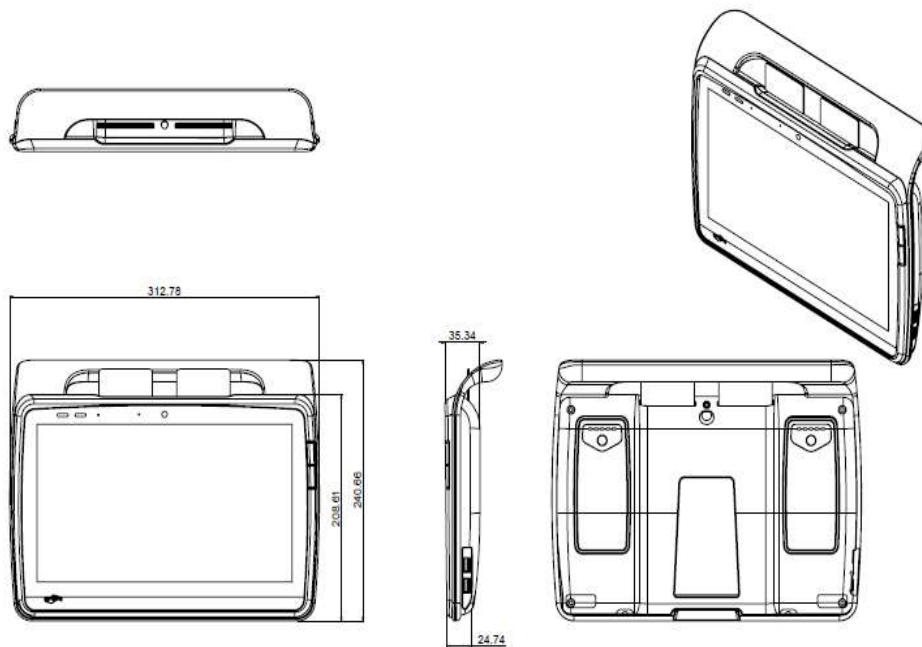
### Battery Pack

Battery Type	Li-ion	
Battery Capacity	4545 mAh (32.72Wh) x2	
Battery Run Time	Approx. 8 hrs	Approx. 3.5 hrs

### Mechanical and Environmental

VESA	VESA 75 via docking station	
Degree of Protection	IP54	
Operating Temperature	0° C ~ 40° C (32° F ~104° F)	0° C ~ 35° C (32° F ~95° F)
Storage Temperature	-20°C ~ 60°C (-4°F ~ 140°F)	
Storage Humidity	10%~95%@40°C, non-condensing	
Dimensions	312 (W) x 239 (H) x 37 (D) mm	
Packing Size	400 x 345 x160 mm	
Gross Weight	3 kg (6.6 lb)	
Net Weight	Approx. 1.45~1.8 kg (3.2 lb~3.97 lb)	
Certifications	CE: EN 60601-1-2:2015(V4.0), EN 60601-1:2006/A1:2013(V3.1), EN 300 328 (V2.1.1), EN 301 893 (V2.1.1) FCC: Part 18 Class B, Part 15 C/E UL: ANSI/AAMI ES60601-1:2012 (V3.1) cUL: CAN/CSA-C22.2 No. 60601-1:2014 (V3.1)	

## Dimensions / Unit: mm



## Ordering Information

- » ONYX-MD116ST-A1-1010  
Tablet.N4200.11.6".FHD.300nits.C-TS(G).4G RAM.M.2 64GB.F/R-Camera.SCR.RFID.WiFi/BT.Battery
- » ONYX-MD116ST-A1-1011  
Tablet.N4200.11.6".FHD.600nits.C-TS(G).4G RAM.M.2 64GB.F/R-Camera.SCR.RFID.WiFi/BT.Battery
- » ONYX-MD116ST-A1-1012  
Tablet.N4200.11.6".FHD.300nits.C-TS(G).4G RAM.M.2 64GB.WiFi/BT.Battery (NURSE CART)
- » ONYX-MD116I-P62-A1-0001  
Tablet.i5-6200U.11.6".FHD.300nits.C-TS(G).F/R-Camera.SCR.RFID.WiFi/BT.Battery(x2)
- » ONYX-MD116I-P62-A1-0002  
Tablet.i5-6200U.11.6".FHD.600nits.C-TS(G).F/R-Camera.SCR.RFID.WiFi/BT.Battery(x2)
- » ONYX-MD116I-P73-A1-0001  
Tablet.i5-7300U.11.6".FHD.300nits.C-TS(G).F/R-Camera.SCR.RFID.WiFi/BT.Battery(x2)
- » ONYX-MD116I-P73-A1-0002  
Tablet.i5-7300U.11.6".FHD.600nits.C-TS(G).F/R-Camera.SCR.RFID.WiFi/BT.Battery(x2)
- » ONYX-MD116I-P62-A1-0003  
Tablet.i5-6200U.11.6".FHD.300nits.C-TS(G).WiFi/BT.Battery(x2). (NURSE CART)
- » ONYX-MD116I-P73-A1-0003  
Tablet.i5-7300U.11.6".FHD.300nits.C-TS(G).WiFi/BT.Battery(x2). (NURSE CART)

## Optional Accessories

- » 1255200900  
Medical Adaptor.AC/DC.100-240V.1.5A.12V/ 7.5A,90W.
- » OPM-S08R-A1  
RFID Reader Kit. for MD116 Series
- » OPM-V05C-A1  
2MP-5MP Camera with Mic Kit. for MD116 Series
- » OPM-T030-A1  
Smart Card Reader Kit. for MD116 Series
- » OPM-A001-A1  
Gorilla touch

# Mobile Medical Tablet

## MD101

10.1" Rugged Medical Tablet



### Features

- Intel® Cherry Trail processor
- Slim & lightweight design for clinical mobility
- Long battery life for intensive care services
- Standard USB Type-A for easy connection to medical devices
- IP54 certified & 3 feet drop resistant
- ORION client compatible
- VESA mounting via adapter
- EN60601-1 & UL60601-1 Certified
- Ergonomic design adapted for portable and cart use
- Windows 10 and Android 6.0 available

### Specifications

#### Main Specifications

Processor	Intel® Cherry Trail QC Processor Z8350 1.44 GHz	
System Memory	2 / 4 GB	
OS Support	Microsoft® Windows 10 IOT LTSC	Android 6.0
Storage	eMMC 64 /128 GB	
Wireless Communication	802.11 a/b/g/n+BT 4.0	
Gyroscope Sensor	Bosch BMG 160	
Camera	2 MP (Front) / 8 MP (Rear)	
Touchscreen	Projected Capacitive Touchscreen , w/Gorilla Glass	
Accelerometer Sensor	Bosch BMC150	
Ambient Light Sensor	Capella CM3218	
Power Button	x1	
Volume Keys	x2	
Speakers	3 W x2	
Internal Mic	x1	
Alarm Light	x1 (Optional)	
Power Requirement	DC 15 V	

#### Display

Display Size	10.1" 16:10 Wide Screen LED Panel
Resolution	FHD 1920 x 1200
Max. Colors	16.7 M
Contrast Ratio	800:1
Luminance (cd/m2)	300 nits

#### I/O

USB	USB 3.0 (Type-A) x1	
Audio Out / Mic In	3.5 mm Combo Audio Jack x1	N/A
Video Out	Micro HDMI x1	
DC-In	x1	

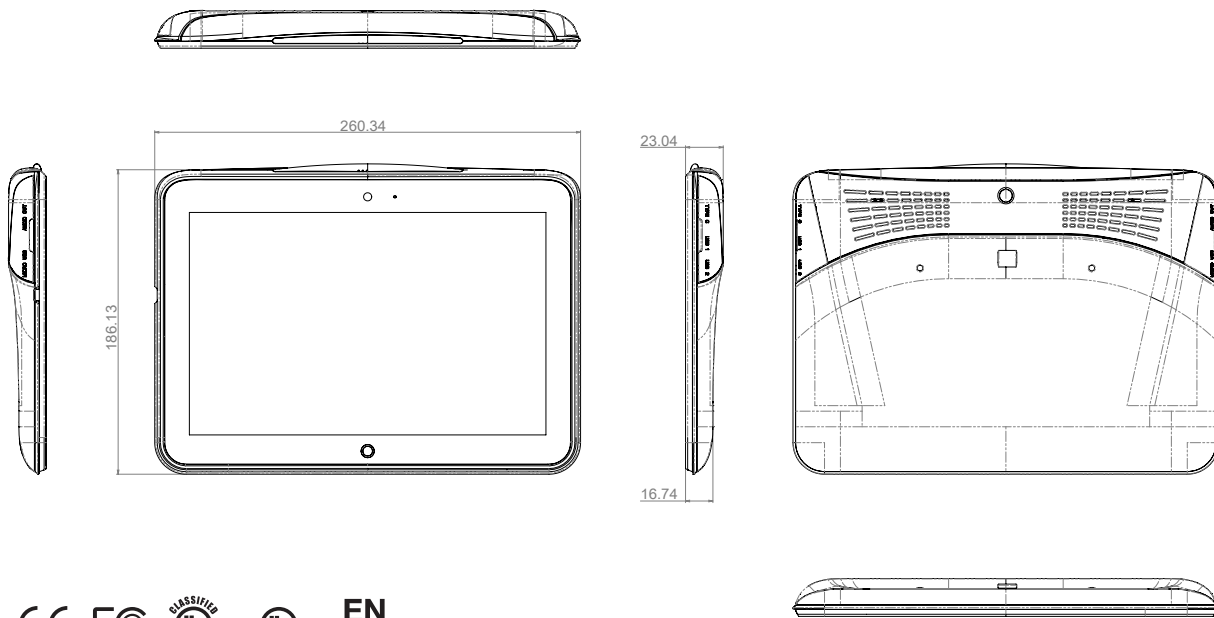
#### Battery Pack

Battery Type	Li-ion
Battery Capacity	4090 mAh (46.62 Wh)
Battery Run Time	Approx. 8 hrs

#### Mechanical and Environmental

VESA	VESA 75 via cradle
Degree of Protection	IP54
Operating Temperature	0° C ~ 40° C (32° F ~ 104° F)
Storage Temperature	-20° C ~ 60° C (-4° F ~ 140° F)
Storage Humidity	10%~95%@40°C, non-condensing
Dimension	260 (W) x 186 (H) x 23 (D) mm
Packing Size	310 x 220 x 110 mm
Gross Weight	2 kg (4.4 lb)
Net Weight	Approx. 1 kg (2.2 lb)
Certifications	CE: EN 60601-1-2:2015(V4.0), EN 60601-1:2006/A1:2013(V3.1) EN 300 328(V2.1.1), EN 301 893 (V2.1.1) FCC: Part 18 Class B, Part 15 C/E UL: ANSI/AAMI ES60601-1:2012 (V3.1) cUL: CAN/CSA-C22.2 No. 60601-1:2014 (V3.1)

## Dimensions / Unit: mm



## Ordering Information

### » ONYX-MD101ST-A1-1010

Tablet.Z8350.10.1" FHD.C-TS(G).4GB RAM.128GB eMMC.F/R-Camera.HDMI-Out.WiFi/BT.AL without OS.

### » ONYX-MD101ST-A1-1011

Tablet.Z8350.10.1" FHD.C-TS(G).4GB RAM.128GB eMMC.F/R-Camera.HDMI-Out.WiFi/BT.Android 6.x without:Audio Jack.

### VESA Cradle



- » Cradle for MD101  
PN:OPM-T019-A1

## Optional Accessories

- » 1255300369  
Medical Power Adaptor.100 ~ 240V.15V.2.4A.36W.

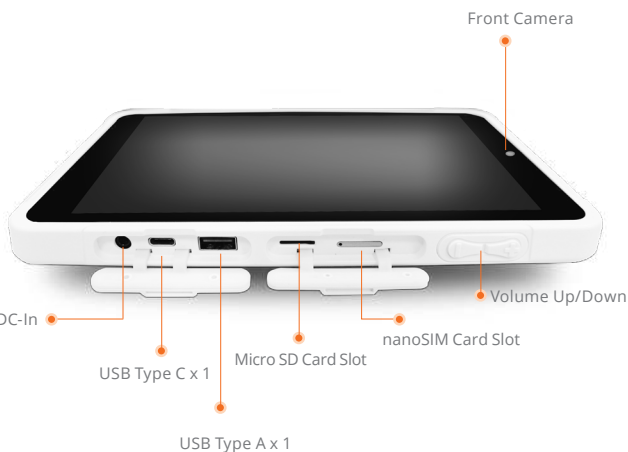
Mobile Medical Tablet

# MPAD-800

8" Medical Tablet



Rear Camera



Front Camera

DC-In

USB Type C x 1

Micro SD Card Slot

nanoSIM Card Slot

USB Type A x 1

Volume Up/Down

## Features

- ARM® Cortex® Quad-Core up to 1.6 GHz
- Android 6.0.1
- Water/Drop Proof & Fanless Operation
- Built-in Type A USB Port
- Built-in Cellular Communication
- Shift Ready Battery Life
- Medical Grade Device Safety

## Specifications

### Main Specifications

Processor	ARM® Cortex® Quad-Core up to 1.6 GHz
System Memory	2GB SDRAM
OS Support	Android 6.0.1
LCD Touch Display	8" (1280 x 800) TFT LCD with 2-point P-cap (Latex Glove Operable)
Communication	WiFi a/b/g/n/ac + Bluetooth 4.0 /
I/O Port	USB Type C x 1 or Micro USB x1 ,USB Type A x 1, Volume Up/Down , 3.5mm Stereo Headphone Jack x1, DC-In Jack x 1 or USB Type C Charging x1 or Pogo pin Charging , Built-In Speaker & Microphone, nanoSIM Card Slot, Micro SD Card Slot
Storage	16 GB eMMC Flash
Camera	Front 2MP , Rear 8MP with Flash LED
Sensor	Built-in Light Sensor, Built-in G-Sensor , Built-in Vibration Motor

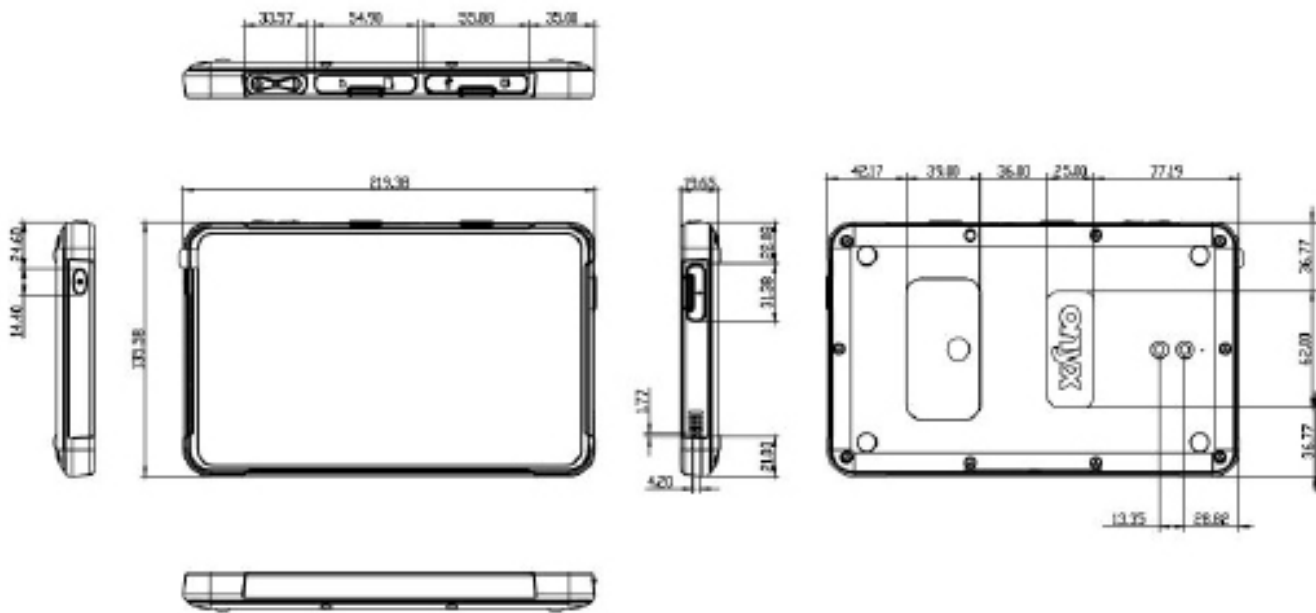
### Mechanical and Environmental

Color	White
Dimension(W x H x D)	136.6 x 219 x 21 mm
Packing Size	280 x 250 x 80 mm
Gross Weight	1.8kg (3.96 lb)
Net Weight	0.67 Kg (1.48lb)
Operating Temperature	0°C ~ 40°C
Storage Temperature	-20°C ~ 60°C
Operating Humidity	10 ~ 75%
Water / Drop Proof	IP54 / 76cm
Medical Certification	CE/FCC Class B , UL60950 , UL/EN60601-1

### Power Supply

AC/DC Adapter	AC Power Input: 100 ~ 240V , 50~60Hz,36W , Output:12V , 3A
Battery	Lithium-Polymer High Capacity Battery (8 Hours)

## Dimensions / Unit: mm



## Ordering Information

## » MPAD-800-A1-1010

Tablet . RK3288 . 2G-16G . WiFi.BT.Android 6.0

# Julia- J07

7" PDA (mPDA)



## Features

- Cortex-A53 Octa Core Processor
- 7" 1280 x 720 TFT Panel with direct optical bonding
- Support Android 5.1 OS
- Hot-swappable battery design
- Support 1D/2D Barcode and NFC Reader
- IP65 waterproof and dustproof
- Easy to store in the coats pockets

## Specifications

### System Specification

Processor	ARM® Cortex™-A53 Octa-core 1.3 GHz
System Memory	2GB RAM
Storage	16GB eMMC Additional storage available: SD (up to 2 GB), SDHC (up to 32 GB)
Operating system	Android 5.1
Microphone	2 x Built-in Mic
Speaker	1 x 1.2 W speaker
Earphone	1 x Earphone
Web camera	2MP Camera
Rear camera	8MP Camera with LED auxiliary light (auto focus)
NFC	NFC (Read / Write, Peer to Peer mode)
Barcode	1D/2D Barcode Reader

### Display Specification

Size	7-inch
Resolution	1280 x 720
Brightness	650 nit with direct optical bonding for sunlight readable
Touch	Multi-touch projected capacitive
Contrast Ratio	800:1
Viewing angle	80/80/80/80
Technology	Ambient light sensor, g-sensor , Automatic screen rotation

### Wireless Communication

WLAN	802.11 a/b/g/n
Bluetooth	Bluetooth 4.0
GPS	GPS / AGPS / GLONASS
WWAN	Optional 3G/4G LTE

### Interface

Docking Connector	1 x Docking connector
USB	1 x Micro USB OTG
Power input	1 x Power Jack
Micro SD	1 x Micro SD Card Slot
SIM Card Slot	2 x SIM Card Slot

### Input

Button	1 x Volume +/- , 1 x Power Button, 1 x Home Button, 1 x Menu Button, 1 x Return Button, 1 x Trigger Button
LED Indicators	2 x LED indicators (Power, Battery)

### Power Management

Power Input	5V DC
Battery	3.7V 5300mAh Li-Poly optional for Hotswappable function
Battery Operating Time	20Hr
Adapter	100-240V/ 5V 3A Adapter

### Mechanical and Environment

IP Rating	IP65
Dimension (W x L x H)	212.4 x 132.8 x 19 mm (8.36 x 5.23 x 0.75 inches)
Packing Size	280 x 240 x 60 mm
Gross Weight	1.5kg (3.3 lb)
Net Weight	550g (1.21 lb)
Operating Temperature	-20°C to 60°C (AC mode), -10°C to 50°C (Battery mode)

### Accessories

Standard Accessories	Universal Adapter
Optional Accessories	Battery Charging Dock ,Vehicle Dock (Charging + Connectors) ,Vehicle Dock (Charging Only),Desk Dock , Hand Strap , Carry Bag, Capacitive Touch Stylus,Vehicle Adapter

## Order Information

- » Julia-J07-P01-A1-0201  
7" mPDA.Cortex-A53.PCT.2GB RAM.16GB eMMC.BCR. Android 5.1
- » Julia-J07-P01-A1-0202  
7" mPDA.Cortex-A53.PCT.2GB RAM.16GB eMMC.Android 5.1

Mobile Medical Tablet

# Julia- J05

5" PDA (mPDA)



## Features

- Cortex A53- Octa Core 1.3GHz
- 5" 1280 x720 Panel with direct optical bonding
- Support Android 5.1 OS
- 1D/2D Barcode Reader and NFC reader for data collection
- IP65 waterproof and dustproof
- Easy to store in the coats pockets

## Specifications

### Main Specifications

Processor	ARM® Cortex™-A53 Octa-core 1.3 GHz
System Memory	2GB RAM
Storage	16GB eMMC Additional storage available: SD (up to 2 GB), SDHC (up to 32 GB)
Operating system	Android 5.1
Microphone	2 x Built-in Mic
Speaker	1 x 1.2 W speaker
Earphone	1 x Earphone
Web camera	2MP Camera
Rear camera	8MP Camera with LED auxiliary light (auto focus)
NFC	NFC (Read / Write, peer to peer Mode)
Barcode	1D/2D Barcode Reader

### Display Specification

Size	5-inch
Resolution	1280 x 720
Brightness	500 nit with Direct optical bonding for sunlight readable
Touch	Multi-touch projected capacitive
Contrast Ratio	800:1
Viewing angle	80/80/80/80
Technology	Ambient light sensor, e-compass, gyro, and acceleration sensors, Automatic screen rotation

### Wireless Communication

WLAN	802.11 a/b/g/n
Bluetooth	Bluetooth 4.1
GPS	GPS / AGPS / GLONASS
WWAN	Optional 3G/4G LTE

### Interface

Docking Connector	1 x Docking connector
USB	1 x Micro USB
Power input	1 x Power Jack
Micro SD	1 x Micro SD Card Slot
SIM Card Slot	2 x SIM Card Slot

### Input

Button	1 x Volume +/- , 1 x Power Button, 2 x Function Button
LED Indicators	1 x LED indicators

### Mechanical and Environment

IP Rating	IP65
Dimension (W x L x H)	85.9 x 163.2 x 22.5 mm
Packing Size	240 x 140 x 100 mm
Gross Weight	1.2 kg (2.64 lb)
Net Weight	315g (0.69 lb)
Operating Temperature	-10°C to 50°C (Battery mode)

### Power Management

Battery	3.7V 3900mAh Li-ion removable battery, optional for Hotswappable function
Battery Operating Time	20Hr
Adapter	5V 2A Adapter

### Accessories

Standard Accessories	Universal Adapter ,Micro USB Cable ,Micro SD Card,Hand Strap
Optional Accessories	Charging Dock 2 bay ,Charging Dock 6 bay ,Battery Charging Dock 2 bay ,Battery Charging Dock 6 bay

## Order Information

- » Julia-J05-P01-A1-0201  
5" mPDA.Cortex-A53.PCT.2GB RAM.16GB eMMC.BCR.Android 5.1
- » Julia-J05-P01-A1-0202  
5" mPDA.Cortex-A53.PCT.2GB RAM.16GB eMMC.Android 5.1



# MD116 Accessory Selection

## Vehicle Dock OPM-T016-A3



### Specifications

Description	Vehicle Dock
Input Power	12V
Installations	VESA 75
IO	2x USB 2.0 Type-A 1x RJ45 1x Line Out 1x Phoenix Port 1x DC In Jack
LED Indicator	N/A
Dimensions	236.89 x 293.03 x 88.22mm
Weight	800g
Operating Temperature	0°C ~ 40°C(32°F ~ 104°F)
Storage Temperature	-20°C ~ 60°C(-4°F ~ 140°F)

### Optional Accessories

- » OPM-T016-A3  
MD116 Vehicle Docking Plus . USB x2 /LAN / Line out

## VESA Cradle OPM-T021-A1



### Specifications

Description	VESA Cradle
Input Power	N/A
Installations	VESA 75
IO	N/A
LED Indicator	N/A
Dimensions	206.69 x 196.64 x 87.8mm
Weight	395g
Operating Temperature	0°C ~ 40°C(32°F ~ 104°F)
Storage Temperature	-20°C ~ 60°C(-4°F ~ 140°F)

### Optional Accessories

- » OPM-T021-A1  
MD116 VESA Cradle

Mobile Medical Tablet

# MD116 Accessory Selection

## Office Dock OPM-T022-A1



### Specifications

Part Number	OPM-T022-A1
Description	Office Dock
Input Power	12V
Installations	Stationary
IO	2x USB 2.0 Type-A 1x RJ45 1x RS-232 1x DC-In
LED Indicator	Steady Green: Connection LED Off: Disconnection
Dimensions	354 x 117 x 78.2mm
Weight	1060g
Operating Temperature	0°C ~ 35°C(32°F ~ 95°F)
Storage Temperature	-20°C ~ 60°C(-4°F ~ 140°F)

### Optional Accessories

- » OPM-T022-A1  
MD116 Office Dock

## Battery Charger UP-M62



### Specifications

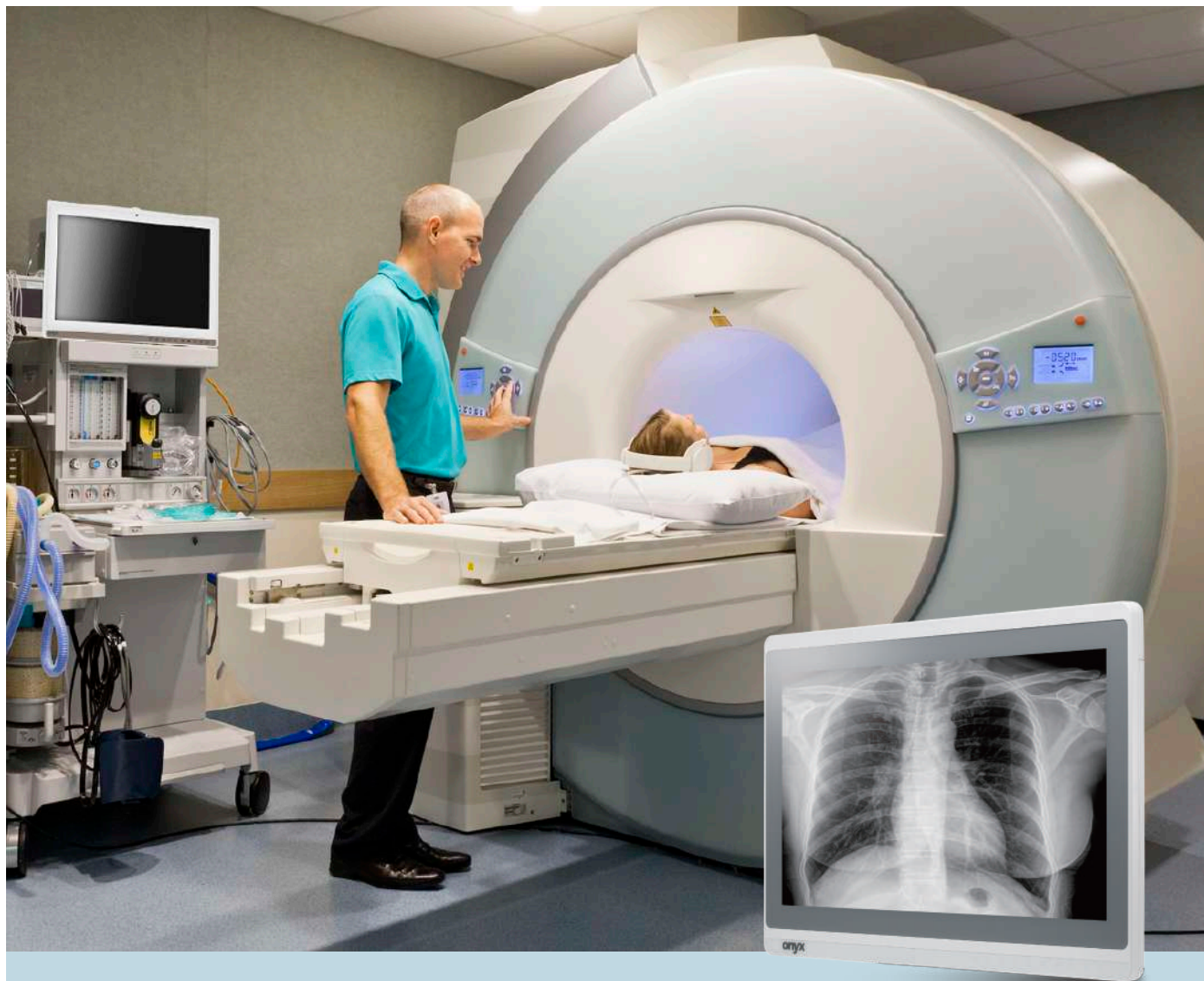
Description	Battery Charger
Input Power	24V
Installations	Stationary
IO	1x Micro USB (Client) 1x DC-In
LED Indicator	Flickering Blue: Battery Charging Steady Blue: Battery Fully Charged Flickering Purple Green: Error
Dimensions	245.95 x 124.64 x 143.65mm
Weight	860g
Operating Temperature	0°C ~ 35°C(32°F ~ 95°F)
Storage Temperature	-20°C ~ 60°C(-4°F ~ 140°F)

### Optional Accessories

- » UP-M62-A1-1010  
MD116 6-slots Charger

# Professional Medical All in One PC

Zeus is the symbol of strength and power, and so does our Medical Station Zeus. It was designed to fulfill surgical high spec requirements such as OR, ICU, ER and Reading Room. Zeus's isolated ports are extremely important as they will connect to devices that are directly connected to the patient. Onyx has spent two years developing the new Zeus Series, the Smart View Medical Station, and it gives doctors crystal clear imaging when viewing PAC, ENDO, or just EMR. Other than surgical suite, Zeus all in one high performance spec will also benefit in ambulatory care, telemedicine, and administration.



## Smart View Design with Worldwide Patents

- » 24"/22"/19" Medical Grade MVA panel. Compared to a normal monitor or industrial LCD, Zeus has rich color content and high contrast ratio. extremely vivid.
- » Multi-touch PCT screen. It guarantees double OR gloves usage, 10 billion click life and up to 95% transparency rate. Zeus enhance the screen performance over 15%.
- » Flat and edgeless ID design give doctors the best-in-market user interaction experience. White color bezel makes cleaning very easy.
- » Patented smart multi function OSD keys covers up to 10 features for RFID, Reading light, display mode, speaker volume, LCD brightness, etc. Zeus can also offer customization.

## ⊕ 1st Intel® Quad Core i7 Platform for Critical Applications

Zeus Series offer ultra high performance Intel® Core i7 LV Dual Core /Quad Core Smart View Medical Station.



## ⊕ Super 3.0 for USB, SATA and PCI-e

Still looking for a faster solution to upload or download medical records?! Zeus comes with latest high speed I/O design (USB3.0, SATA3.0, PCI-E3.0). Super 3.0 gives ten times data rate than before.



## ⊕ DICOM Compliance Display

Zeus supports DICOM Part 14: Grayscale Standard Display Function to display accurate radiology PACS images such as ultrasound, endoscope, CT and MRI images. Users can switch the system from HIS, EMR to PACS or Endo with ease.



## ⊕ MIS with Remote Control Power

Onyx's cooperation with Intel allows Zeus to carry iAMT technology. The MIS manager can handle hundreds, even thousands of Zeus stations from the central room in real time. Hospital IT departments can save huge amounts of time and money on routine maintenance.



## ⊕ Triple Isolation Protection to Patient

Medical isolation rating is 4kV rms (IEC 60601-1), which is crucial to protect patients, operators and medical equipment from harmful surges or spikes in the electrical signal. Zeus offers COM port, USB port and Ethernet Port isolation. We set the highest standard for patient and medical uses.



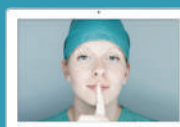
## ⊕ Backup Battery for Uninterruptible Power Supply

Optional built-in battery provides backup power supply for at least 10 minutes to prevent the system from unexpected power disruption.



## ⊕ Full SDK for Enhanced Functions Development

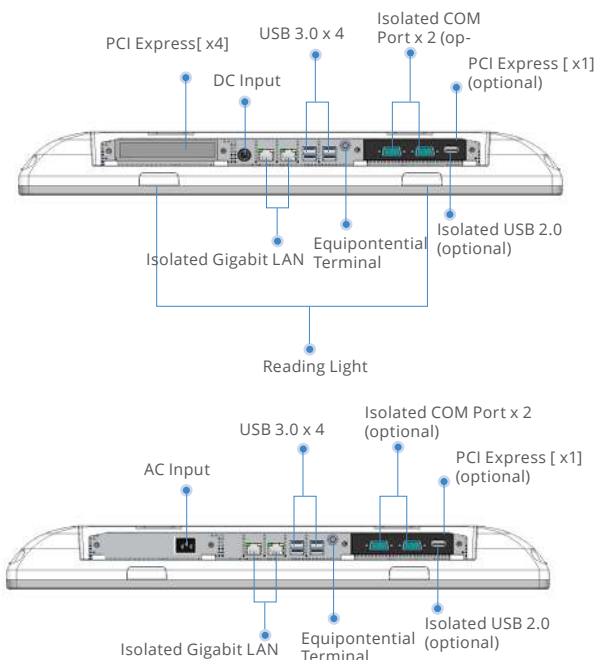
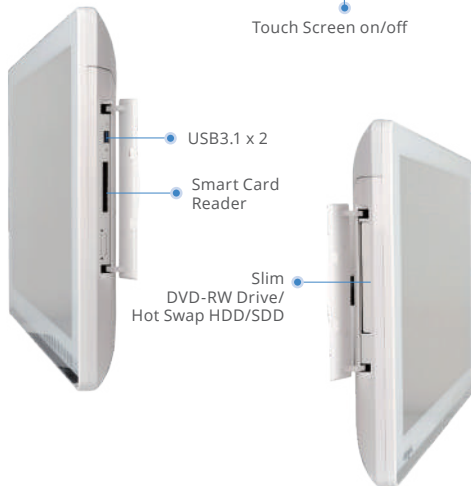
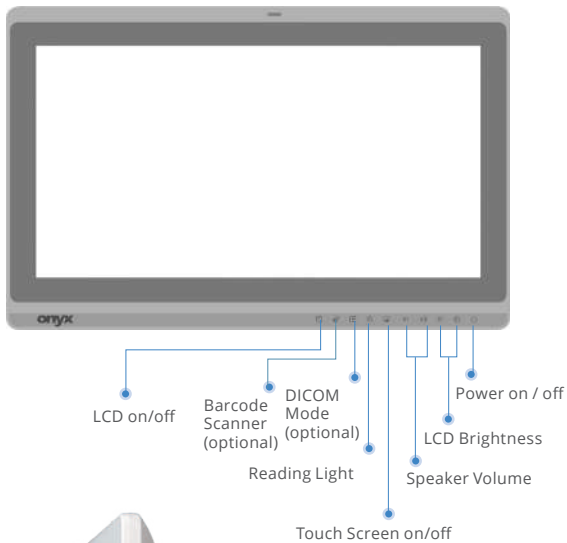
ONYX offers "Access Manager", "Power Monitor", "Control Kit", "Security Watcher" to let system integrators to quickly and efficiently create enhanced and customized environment.



# Professional Medical All in One PC

## ZEUS-248

24" Fanless 7th Generation Core i7 Professional Medical All in One PC



### Features

- Intel® 7th Generation Core i7-7600U 3.9GHz Dual Core Processor
- 24" 250-nit Full HD High Contrast MVA LCD
- Supports DDR4 SODIMM up to 32GB
- Capacitive Multi-Touch Screen / 5 Wire Resistive Touch Screen
- Easy Cleaning Flat Screen
- 10 Programmable Smart Function Keys with Dual Colors LED Status Indication
- LAN/USB(optional)/COM(optional) Medical Isolation
- Super Speed 10Gb/s USB 3.1 Port
- PCI Express[x4] x 1, PCI Express[x1] , PCI x1(optional)
- Trusted Platform Module / Smart Card Reader(optional) / RFID Reader(optional)
- Remote Management: Intel Active Management Technology
- +12V to +24V wide range DC input / 100V to 240V AC input
- 25Wh Backup Battery(optional)

### Specifications

#### Main Specifications

Processor	Intel® 7th Generation Core i7-7600U 3.9GHz Dual Core
System Memory	DDR4 SODIMM up to 32GB
Expansion	PCI Express[x4] x 1, PCI Express[x1] , PCI x1(optional)
Storage Disk Drive	2.5" SATA Hard Disk Drive/SSD x 1 Slim DVD-RW Drive x 1(optional) M.2 SSD x 1
Security	Trusted Platform Module, Smart Card reader(optional), RFID(optional)
Wireless Communication	802.11a/b/g/n/ac(optional), Bluetooth 4.1 (optional)
Speaker	5W x 2
Function Key	Speaker Volume Up/Down, LCD Brightness Up/Down, LCD On/Off, Touch Screen On/Off, DICOM Mode(optional), Reading Light On/Off
Power Requirement	DC 12~24V / AC 100~240V , 25Wh Back Up Battery(optional)
OS Support	Windows® 10, Linux®

#### Display

Size	24" LCD
Resolution	1920 x 1080
Luminance	250 nits
View Angle	178°(H)/178°(V)
Contrast Ratio	3000:1
Back Light Life Time	30,000 Hours
Touch Screen	Capacitive Multi-Touch/5-Wire Resistive

#### I/O

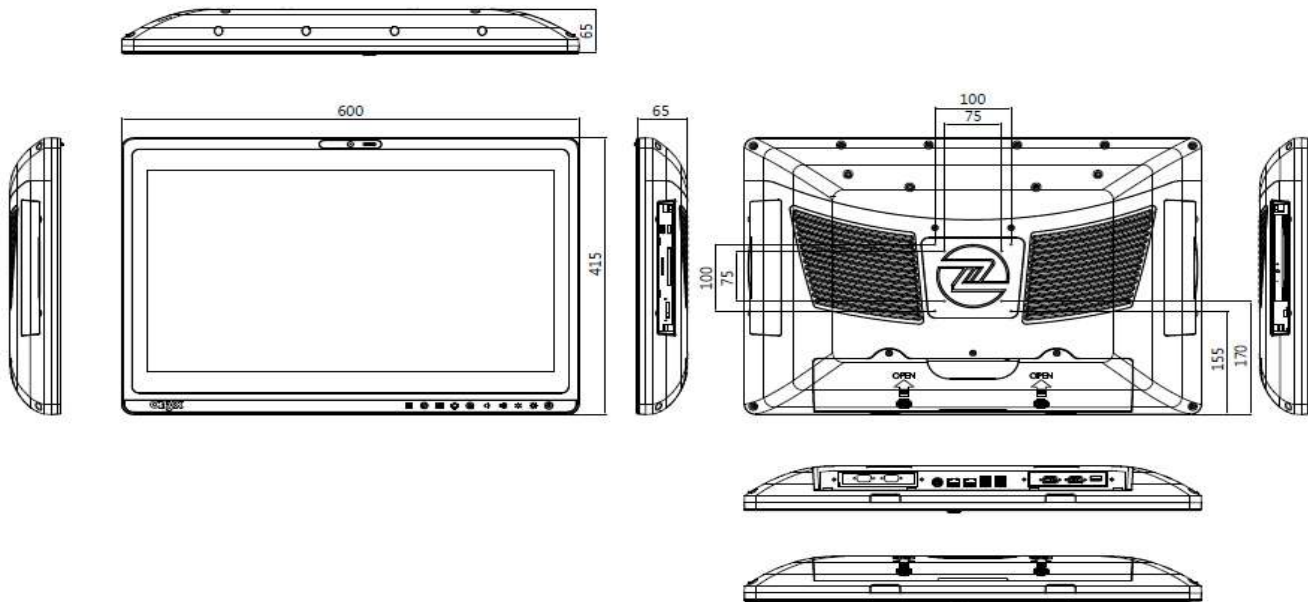
USB	USB 3.0 x 4, USB 3.1 x 2(in side I/O), Isolated USB 2.0 x1(optional)
Serial Port	Isolated RS-232 x 2(optional)
Ethernet	Isolated Gigabit LAN x 2
Audio	Mic(optional)/ Line out(optional)
Video Out	Display Port 1.2 x 1(optional)

#### Mechanical and Environmental

Power Consumption	Full Loading: 60 Watts
Operating Temperature	0°C ~ 40°C(32°F ~ 104°F)
Storage Temperature	-20°C ~ 60°C(-4°F ~ 140°F)
Mounting	VESA 75/100 mm
Degree of Protection	IP65 in the front, IP54 in the back
Dimension	600 x 415 x 65 mm
Package Size	790 x 220 x 550 mm
Gross Weight	14 kg (30.86 lb)
Net Weight	9.2kg (20.28lb)
Certifications	CE: EN 60601-1-2:2015(V4.0), EN 60601-1:2006/A1:2013(V3.1) FCC: Part 18 Class B UL: ANSI/AAMI ES60601-1:2012 (V3.1) cUL: CAN/CSA-C22.2 No. 60601-1:2014 (V3.1)

## 24" Fanless 7th Generation Core i7 Professional Medical All in One PC

### Dimension / Unit: mm



### Ordering Information

- |  |  |
|--|--|
| » ZEUS-248ST-A5-1010<br>i7-7600U,4GB RAM,24" LCD,12~24V DC ,Capacitive Touch | » ZEUS-248ST-B5-1010<br>i7-7600U,4GB RAM,24" LCD,100~240V AC, Capacitive Touch |
| » ZEUS-248ST-A6-1010<br>i5-7300U,4GB RAM,24" LCD,12~24V DC,Capacitive Touch  | » ZEUS-248ET-B5-1010<br>i7-7600U,4GB RAM,24" LCD,100~240V AC, Resistive Touch  |
| » ZEUS-248ET-A5-1010<br>i7-7600U,4GB RAM,24" LCD,12~24V DC,Resistive Touch   | » ZEUS-248ST-B6-1010<br>i5-7300U,4GB RAM,24" LCD,100~240V AC, Capacitive Touch |
| » ZEUS-248ET-A6-1010<br>i5-7300U,4GB RAM,24" LCD,12~24V DC,Resistive Touch   | » ZEUS-248ET-B6-1010<br>i5-7300U,4GB RAM,24" LCD,100~240V AC, Resistive Touch  |

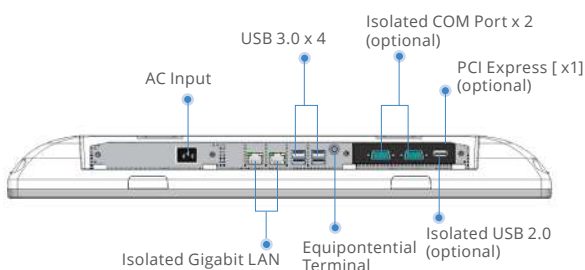
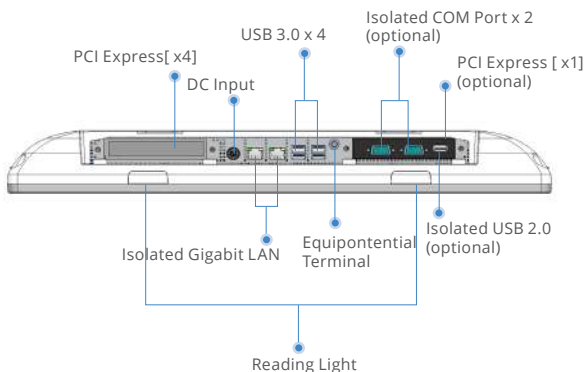
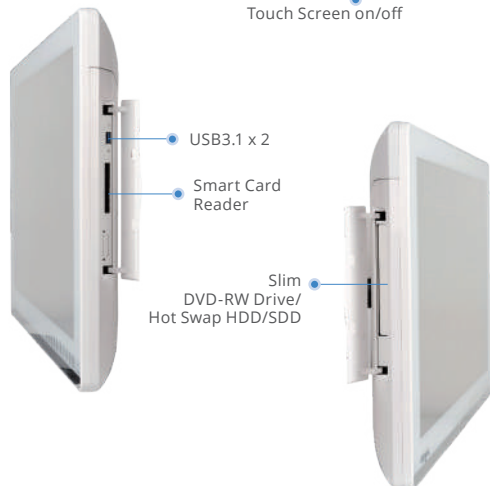
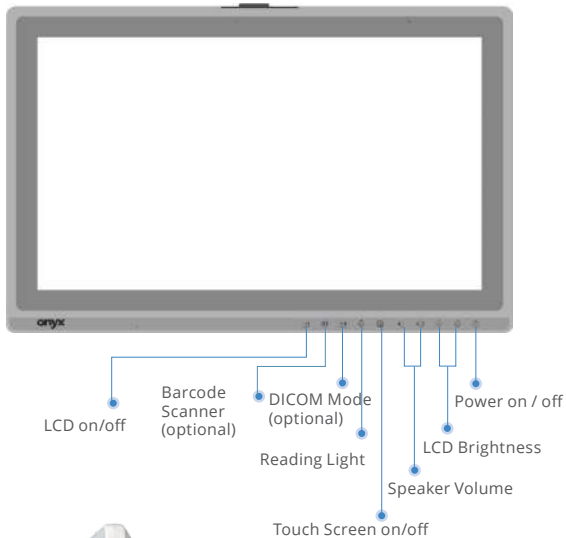
### Optional Accessories

- |  |  |
|--|--|
| » 1255301202<br>Medical Power Adapter, 120W, 24V                           | » OPM-V03B-A2<br>One Display Port Kit                      |
| » OPM-C12W-A3<br>Mini Card WLAN Kit, IEEE 802.11a/b/g/n/ac + Bluetooth 4.1 | » OPM-T017-A5<br>Hot Swap Rack w/Lock Kit for 2.5" HDD/SSD |
| » OPM-T003-A5<br>Slim Slot-in DVD-RW Drive                                 | » OPM-T012-A2<br>Two RS-232 Kit                            |
| » OPM-T006-A1<br>Smart Card Reader Kit                                     | » OPM-V04B-A1<br>DICOM Kit                                 |
| » OPM-P09C-A3<br>25Wh Backup Battery                                       | » OPM-R02X-A1<br>PCI Express [X1] Riser Kit                |
| » OPM-C02C-A4<br>Two Isolated RS-232 PCIe Card                             | » OPM-R01P-A1<br>PCI Riser Kit                             |
| » OPM-C02C-A3<br>One Isolated USB 2.0 + Two Isolated R-232 PCIe Card       | » OPM-U01T-A1<br>Line-out/Line-in/Mic Kit                  |
| » OPM-V03B-A1<br>One Display Port + Two RS-232 Kit                         | » OPM-S07R-A9<br>RFID Reader Kit                           |

# Professional Medical All in One PC

## ZEUS-228

22" Fanless 7th Generation Core i7 Professional Medical All in One PC



### Features

- Intel® 7th Generation Core™ i7-7600U 3.9GHz Dual Core Processor
- 22" 250nits Full HD High Contrast MVA LCD
- Support DDR4 SODIMM up to 32GB
- Capacitive Multi-Touch Screen / 5 Wire Resistive Touch Screen
- Easy Cleaning Flat Screen
- 10 Programmable Smart Function Keys with Dual Colors LED Status Indication
- LAN /USB (optional)/COM(optional) Medical Isolation
- Super Speed 10Gb/s USB 3.1 Port
- PCI Express[x4] x 1, PCI Express[x1] , PCI x1(optional)
- Trusted Platform Module/Smart Card Reader(optional)/RFID Reader(optional)
- Remote Management : Inte Active management Technology
- +12V to +24V Wide Range DC Input / 100V to 240V AC input
- 25Wh Backup Battery (optional)

### Specifications

#### Main Specifications

Processor	Intel® 7th Generation Core i7-7600U 3.9GHz Dual Core
System Memory	DDR4 SODIMM up to 32GB
Expansion	PCI Express[x4] x 1, PCI Express[x1] , PCI x1(optional)
Storage Disk Drive	2.5" SATA Hard Disk Drive/SSD x 1 Slim DVD-RW Drive x 1(optional) M.2 SSD x 1
Security	Trusted Platform Module, Smart Card reader(optional), RFID reader(optional)
Wireless Communication	802.11a/b/g/n/ac(optional), Bluetooth 4.1 (optional)
Speaker	5W x 2
Function Key	Speaker Volume Up/Down, LCD Brightness Up/Down, LCD On/Off, Touch Screen On/Off, DICOM Mode(optional), Reading Light On/Off
Power Requirement	DC12~24V, /AC 100~240V, 25Wh Back up battery(optional)
OS Support	Windows® 10, Linux®

#### Display

Size	22" LCD
Resolution	1920 x 1080
Luminance	250 nits
View Angle	178°(H)/178°(V)
Contrast Ratio	3000:1
Back Light Life Time	30,000 Hours
Touch Screen	Capacitive Multi-Touch/5-Wire Resistive

#### I/O

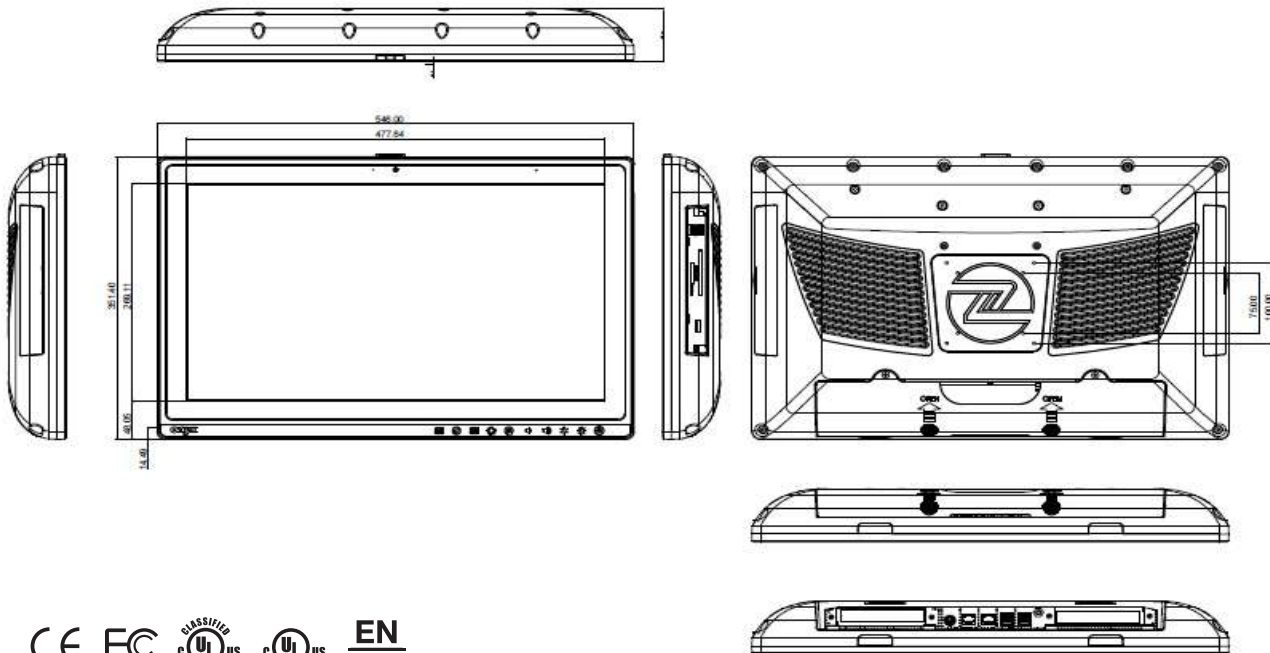
USB	USB 3.0 x 4, USB 3.1 x 2(side I/O) Isolated USB 2.0(optional)
Serial Port	Isolated RS-232 x 2(optional)
Ethernet	Isolated Gigabit LAN x 2
Video Out	Display Port 1.2 x 1 (optional)

#### Mechanical and Environmental

Power Consumption	Full Loading: 55 Watts
Operating Temperature	0°C ~ 40°C(32°F ~ 104°F)
Storage Temperature	-20°C ~ 60°C(-4°F ~ 140°F)
Mounting	VESA 75/100 mm
Degree of Protection	IP65 in the front, IP54 in the back
Dimension	546 x 352 x 66mm
Package size	750 x 220 x 490 mm
Gross Weight	12 kg (26.45 lb)
Net Weight	8kg (17.6lb)
Certifications	CE: EN 60601-1-2:2015(V4.0), EN 60601-1:2006/A1:2013(V3.1) FCC: Part 18 Class B UL: ANSI/AAMI ES60601-1:2012 (V3.1) cUL: CAN/CSA-C22.2 No. 60601-1:2014 (V3.1)

## 22" Fanless 7th Generation Core i7 Professional Medical All in One PC

### Dimension / Unit: mm



### Ordering Information

- » ZEUS-228ST-A5-1010  
i7-7600U,4GB RAM,22" LCD.12~24V DC.Capacitive Touch
- » ZZEUS-228ST-B5-1010  
i7-7600U,4GB RAM,22" LCD.100~240V AC.Capacitive Touch
- » ZEUS-228ET-A5-1010  
i7-7600U,4GB RAM,22" LCD.12~24V DC.Resistive Touch
- » ZEUS-228ET-B5-1010  
i7-7600U,4GB RAM,22" LCD.100~240V AC.Resistive Touch
- » ZEUS-228ST-A6-1010  
i5-7300U,4GB RAM,22" LCD.12~24V DC.Capacitive Touch
- » ZEUS-228ST-B6-1010  
i5-7300U,4GB RAM,22" LCD.100~240V AC.Capacitive Touch
- » ZEUS-228ET-A6-1010  
i5-7300U,4GB RAM,22" LCD.12~24V DC.Resistive Touch
- » ZEUS-228ET-B6-1010  
i5-7300U,4GB RAM,22" LCD.100~240V AC.Resistive Touch

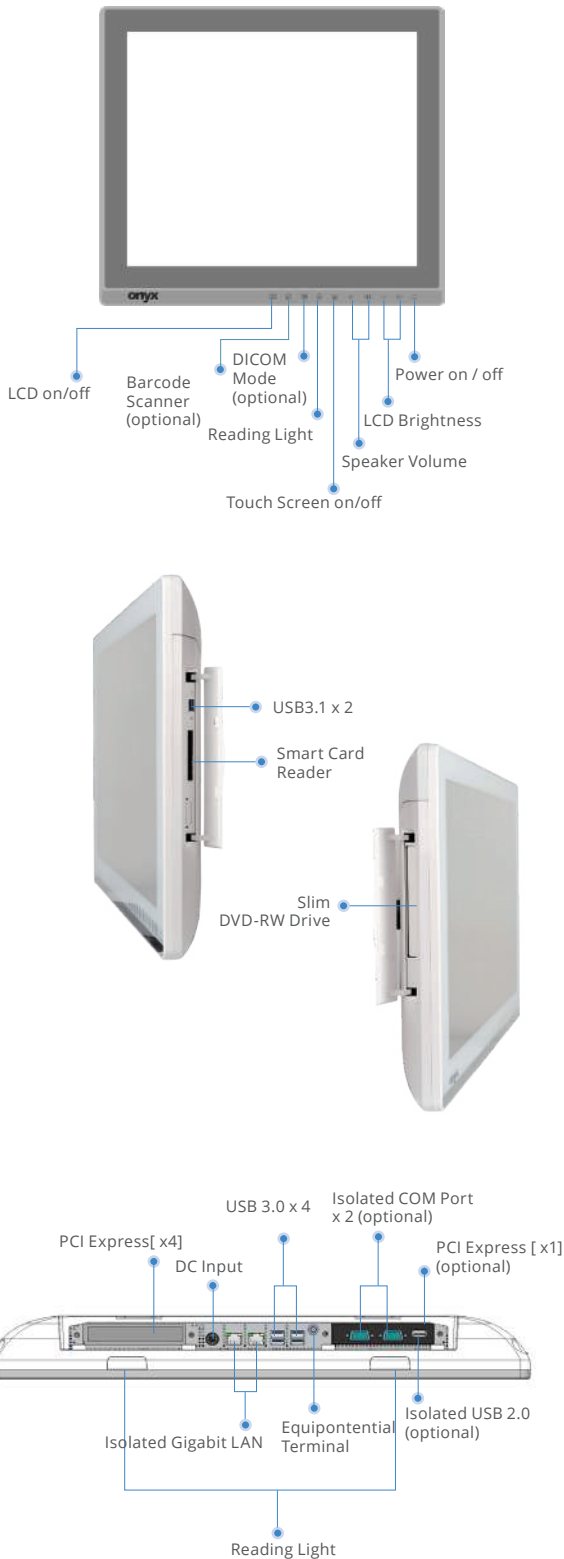
### Optional Accessories

- » 1255301202  
Medical Power Adapter, 120W, 24V
- » OPM-C12W-A3  
Mini Card WLAN Kit, IEEE 802.11a/b/g/n/ac + Bluetooth 4.1
- » OPM-T003-A4  
Slim Slot-in DVD-RW Drive
- » OPM-T006-A1  
Smart Card Reader Kit
- » OPM-P09C-A2  
25Wh Backup Battery
- » OPM-C02C-A4  
Two Isolated RS-232 PCIe Card
- » OPM-C02C-A3  
One Isolated USB 2.0 + Two Isolated R-232 PCIe Card
- » OPM-V03B-A1  
One Display Port + Two RS-232 Kit
- » OPM-V03B-A2  
One Display Port Kit
- » OPM-T017-A1  
Hot Swap Rack w/Lock Kit for 2.5" HDD/SSD
- » OPM-T012-A2  
Two RS-232 Kit
- » OPM-V04B-A2  
DICOM Kit
- » OPM-R02X-A1  
PCI Express [X1] Riser Kit
- » OPM-R01P-A1  
PCI Riser Kit
- » OPM-U01T-A1  
Line-out/Line-in/Mic Kit
- » OPM-S05R-A2  
RFID Reader Kit



# ZEUS-198

19" Fanless 7th Generation Core i7 Professional Medical All in One PC



## Features

- Intel® 7th Generation Core i7-7600U 3.9GHz Dual Core Processor
- 19" 250-nit SXGA LCD
- Supports DDR4 SODIMM up to 32GB
- Capacitive Multi-Touch Screen / 5 Wire Resistive Touch Screen
- Easy Cleaning Flat Screen
- 10 Programmable Smart Function Keys with Dual Colors LED Status Indication
- LAN/USB(optional)/COM(optional) Medical Isolation
- Super Speed 10Gb/s USB 3.1 Port
- PCI Express[x4] x 1, PCI Express[x1] , PCI x1(optional)
- Trusted Platform Module / Smart Card Reader(optional) / RFID Reader (optional)
- Remote Management: Intel Active Management Technology
- +12V to +24V wide range DC input
- 25Wh Backup Battery(optional)

## Specifications

### Main Specifications

Processor	Intel® 7th Generation Core i7-7600U 3.9GHz Dual Core
System Memory	DDR4 SODIMM up to 32GB
Expansion	PCI Express[x4] x 1, PCI Express[x1] , PCI x1(optional) 2.5" SATA Hard Disk Drive/SSD x 1
Storage Disk Drive	Slim DVD-RW Drive x 1(optional) M.2 SSD x 1
Security	Trusted Platform Module, Smart Card reader(optional), RFID(optional)
Wireless Communication	802.11a/b/g/n/ac(optional), Bluetooth 4.1 (optional)
Speaker	5W x 2
Function Key	Speaker Volume Up/Down, LCD Brightness Up/Down, LCD On/Off, Touch Screen On/Off, DICOM Mode(optional), Reading Light On/Off
Power Requirement	DC 12~24V, 25Wh Back Up Battery(optional)
OS Support	Windows® 10, Linux®

### Display

Size	19" LCD
Resolution	1280x1024
Luminance	250 nits
View Angle	170°(H)/160°(V)
Contrast Ratio	1000:1
Back Light Life Time	30,000 Hours
Touch Screen	Capacitive Multi-Touch/5-Wire Resistive

### I/O

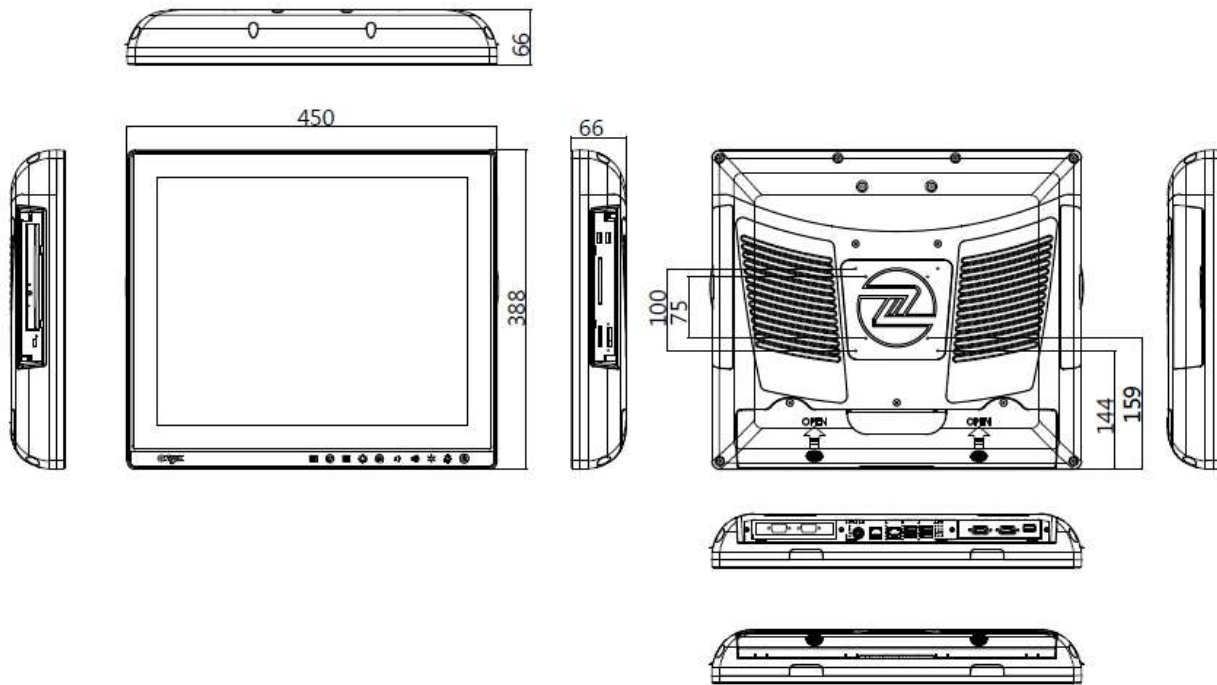
USB	USB 3.0 x 4, USB 3.1 x 2(in side I/O), Isolated USB 2.0 x1(optional)
Serial Port	Isolated RS-232 x 2(optional)
Ethernet	Isolated Gigabit LAN x 2
Audio	Mic(optional)/ Line out(optional)
Video Out	Display Port 1.2 x 1(optional)

### Mechanical and Environmental

Power Consumption	Full Loading: 55 Watts
Operating Temperature	0°C ~ 40°C(32°F ~ 104°F)
Storage Temperature	-20°C ~ 60°C(-4°F ~ 140°F)
Mounting	VESA 75/100 mm
Degree of Protection	IP65 in the front, IP54 in the back
Dimension	450 x 388 x 66 mm
Package Size	640 x 220 x 520mm
Gross Weight	11 kg (24.25 lb)
Net Weight	7kg (15.43lb)
Certifications	CE: EN 60601-1-2:2015(V4.0), EN 60601-1:2006/A1:2013(V3.1) FCC: Part 18 Class B UL: ANSI/AAMI ES60601-1:2012 (V3.1) cUL: CAN/CSA-C22.2 No. 60601-1:2014 (V3.1)

## 19" Fanless 7th Generation Core i7 Professional Medical All in One PC

### Dimension / Unit: mm



### Ordering Information

- » ZEUS-198ST-A5-1010  
i7-7600U.4GB RAM.19" LCD.12~24V DC.Capacitive Touch
- » ZEUS-198ST-A6-1010  
i5-7300U.4GB RAM.19" LCD.12~24V DC.Capacitive Touch
- » ZEUS-198ET-A5-1010  
i7-7600U.4GB RAM.19" LCD.12~24V DC.Resistive Touch
- » ZEUS-198ET-A6-1010  
i5-7300U.4GB RAM.19" LCD.12~24V DC.Resistive Touch

### Optional Accessories

- » 1255301202  
Medical Power Adapter, 120W, 24V
- » OPM-C12W-A3  
Mini Card WLAN Kit, IEEE 802.11a/b/g/n/ac + Bluetooth 4.1
- » OPM-T003-A5  
Slim Slot-in DVD-RW Drive
- » OPM-T006-A1  
Smart Card Reader Kit
- » OPM-P09C-A1  
25Wh Backup Battery
- » OPM-C02C-A4  
Two Isolated RS-232 PCIe Card
- » OPM-C02C-A3  
One Isolated USB 2.0 + Two Isolated R-232 PCIe Card
- » OPM-V03B-A1  
One Display Port + Two RS-232 Kit
- » OPM-V03B-A2  
One Display Port Kit
- » OPM-T017-A3  
Hot Swap Rack w/Lock Kit for 2.5" HDD/SSD
- » OPM-T012-A2  
Two RS-232 Kit
- » OPM-V04B-A1  
DICOM Kit
- » OPM-R02X-A1  
PCI Express [X1] Riser Kit
- » OPM-R01P-A1  
PCI Riser Kit
- » OPM-U01T-A1  
Line-out/Line-in/Mic Kit
- » OPM-S07R-A7  
RFID Reader- Kit

# Medical PC & Monitor for Digital OR

In a digital operating room, important information and images such as patient vital signs, surgical images, and xray images need to be displayed all at once. With the latest technology, ACCEL series offers large screen ultra high definition 4K resolution display, Intel Xeon / Core i7 quad core processor, AMD Ryzen Embedded V1000 Processor capacitive multi-touch screen and multiple video inputs to improve display quality and work efficiency.



## 32/27-inch 4K UHD High Resolution & High Brightness Display

- » Intel Quad Core Xeon Platform / AMD Ryzen Embedded V1000 Processor
- » Triple PCI Express Slot for High End Graphics, Fiber LAN and UHD Video Capture
- » Enhance functional for Medical Imaging
- » IP54 Certified, Antimicrobial Surface Coatin and Fanless

## 32/27-inch 4K UHD High Resolution & High Brightness Display

ACCEL series offers 32/27-inch 3240x2160 resolution high brightness display for high resolution medical imaging



## Intel® Quad Core Xeon Platform

For mission-critical medical application, Intel Quad Core Xeon Processor provides cutting edge computing power and ECC(Error-correcting code) memory helps preserve the integrity of your data, prevent data corruption, and prevent system crashed and failures.



## Triple PCI Express Slot for High End Graphics, Fiber LAN and UHD Video Capture

ACCEL surgical station provide one PCI Express[x16] slot, one PCI Express[x4] slot and one PCI Express[x1] slot for installing high end graphics card, NVIDIA Tesla GPU accelerator, fiber 10GbE LAN card and 4K UHD video capture card.



## Enhance functional for Medical Imaging

ACCEL surgical monitor provides the embedded solutions for Medical Imaging, the multipicture functionality and backlight sensor could automatic to adjust the image to ensure a user has the most clearly diagnostic.



## IP54 Certified, Antimicrobial Surface Coatin and Fanless

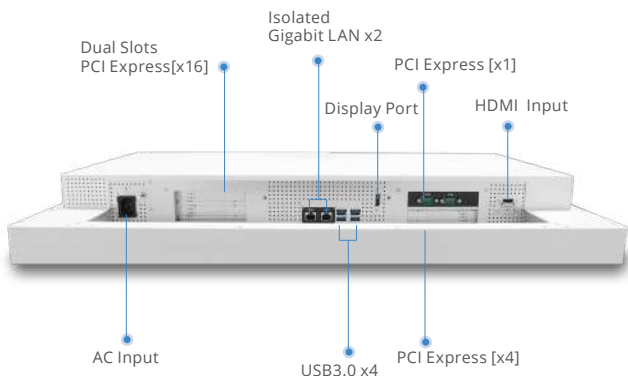
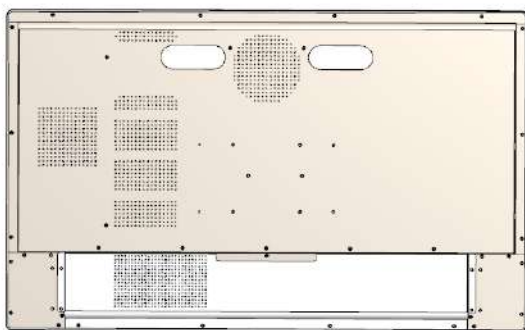
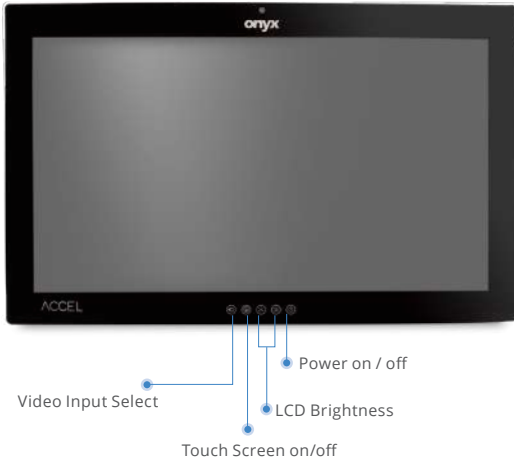
ACCEL surgical monitor has IP54 certified gives the complete protection against contact from dust and powerful jets of water. and the Antimicrobial Surface Coating which could provide the best clean and healthy environment



Medical PC & Monitor for Digital OR

# ACCEL-A3201

32" 4K UHD 6th Generation Xeon / Core i7 Medical All in One PC for AI Inference



## Features

- Intel® 6th Generation Xeon E3-1505M v5 2.8GHz Quad Core / Core i7-6820EQ 2.8GHz Quad Core
- Supports ECC / Non-ECC DDR4 SODIMM up to 32GB
- 32" UHD 3840x2160 350-nit High Contrast LCD
- Capacitive Multi-Touch Screen
- 5 Programmable Smart Function Keys with Dual Colors LED Status Indication
- LAN/USB(optional)/COM(optional) Medical Isolation
- Dual Slots PCI Express[x16] x1 for High End Graphics Card /GPU Accelerator Card up to 300W
- PCI Express[x4] x1, PCI Express[x1]x1
- Trusted Platform Module 2.0
- Remote Management: Intel Active Management Technology
- 100V to 240V AC Input

## Specifications

### Main Specifications

Processor	Intel® 6th Generation Xeon E3-1505M v5 2.8GHz Quad Core / Core i7-6820EQ 2.8GHz Quad Core
Chipset	CM236 (for Xeon) / QM170(for Core i7)
System Memory	ECC (for Xeon) / Non-ECC (for Core i7) DDR4 SODIMM up to 32GB
Expansion	PCI Express[x16] x1, PCI Express[x4] x1, PCI Express[x1] x1
Storage Disk Drive	2.5" SATA Hard Disk Drive/Solid State Disk Drive x2
Security	Trusted Platform Module 2.0
Wireless Communication	802.11ac/a/b/g/n, Bluetooth V4.1/ 5
Speaker	5W x 2
Function Key	Power On/Off, LCD, Brightness Up/Down, Touch Screen On/Off, Video Input Select
Power Requirement	100~240V AC
OS Support	Windows® 7, Windows® 10, Linux®

### Display

Size	32" LCD
Resolution	3840 x 2160
Luminance	350 nits
View Angle	178°(H)/178°(V)
Contrast Ratio	1000:1
Back Light Life Time	30,000 Hours
Touch Screen	Capacitive Multi-Touch

### I/O

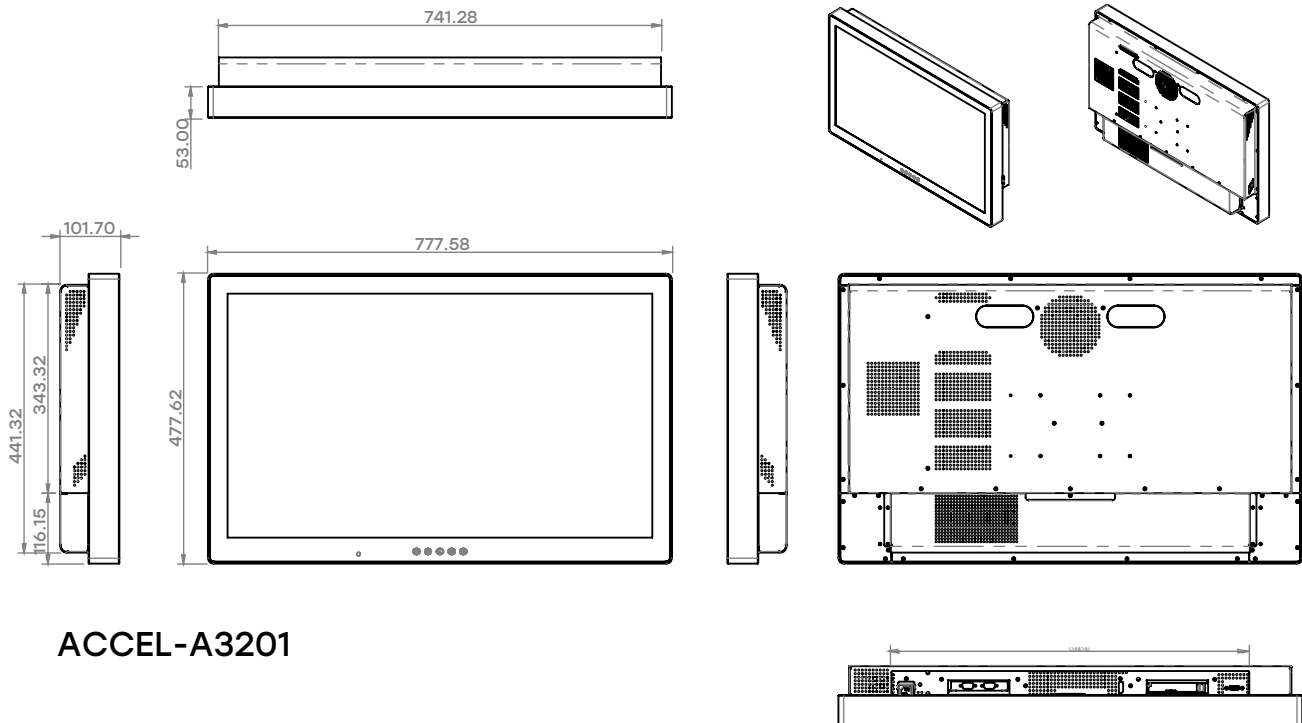
USB	USB 3.0 x4
Serial Port	Isolated RS-232 x2(optional)
Ethernet	Isolated Gigabit LAN x2
Audio	Mic(optional), Line out(optional)
Video Out	Display Port 1.4 x1
Video In	HDMI x1

### Mechanical and Environmental

Power Consumption	Full loading : 90 Watts
Operating Temperature	0°C ~ 35°C(32°F ~ 95°F)
Storage Temperature	-20°C ~ 60°C(-4°F ~ 140°F)
Mounting	VESA 100mm
Degree of Protection	IP54 in the front, IPX1 in the back
Dimension	778 x 478 x 102mm
Package Size	910 x 618 x 220 mm
Gross Weight	21.5 kg (47.4 lb)
Net Weight	18.5 kg (40.8 lb)
Certifications	CE: EN 60601-1-2:2015(V4.0), EN 60601-1:2006/A1:2013(V3.1) FCC: Part 18 Class B UL: ANSI/AAMI ES60601-1:2012 (V3.1) cUL: CAN/CSA-C22.2 No. 60601-1:2014 (V3.1)

## 32" 4K UHD 6th Generation Xeon / Core i7 Medial All in One PC for AI Inference

### Dimension / Unit: mm



### ACCEL-A3201



### Ordering Information

- » ACCEL-A3201-P1-A1-0010  
OR Station.Xeon E3-1505M v5.32" UHD 350-nit.System Fan.  
AC 100~240V. Capacitive Touch
- » ACCEL-A3201-P2-A1-0010  
OR Station.i7-6820EQ.32" UHD 350-nit.System Fan.  
AC 100~240V. Capacitive Touch
- » ACCEL-A3201-P1-A11-0010  
OR Station. Xeon E3-1505M v5.32" UHD 350-nit.System Fan.  
AC 100~240V.Capacitive Touch. NVIDIA QUADRO RTX4000
- » ACCEL-A3201-P2-A11-0010  
OR Station.i7-6820EQ.32" UHD 350-nit.System Fan.  
AC 100~240V. Capacitive Touch .NVIDIA QUADRO RTX4000
- » ACCEL-A3201-P1-A12-0010  
OR Station.Xeon E3-1505M v5.32" UHD 350-nit.System Fan.  
AC 100~240V.Capacitive Touch .NVIDIA QUADRO P400
- » ACCEL-A3201-P2-A12-0010  
OR Station.i7-6820EQ.32" UHD 350-nit.System Fan.  
AC 100~240V.Capacitive Touch.NVIDIA QUADRO P400

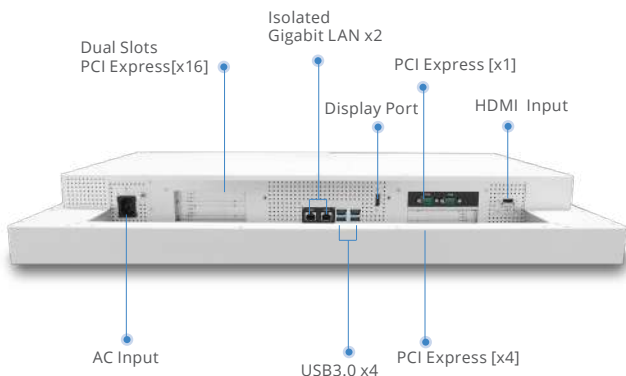
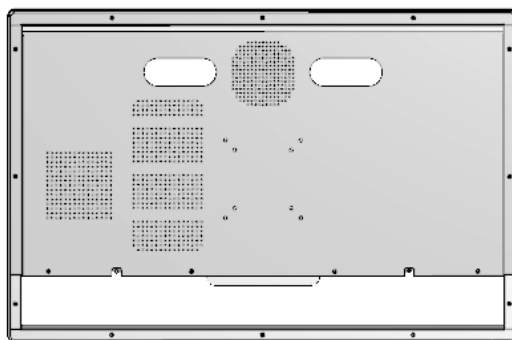
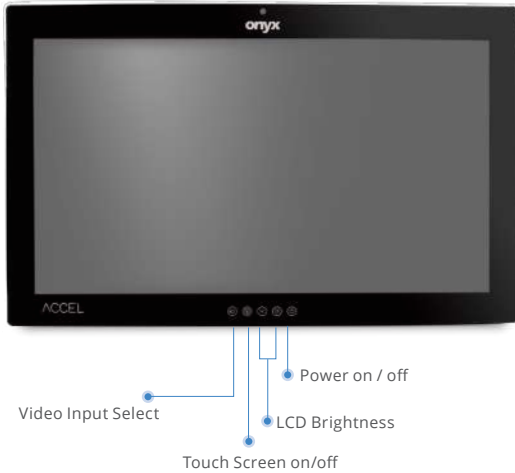
### Optional Accessories

- » OPM-C12W-A6  
WLAN Kit, Qualcomm Atheros IEEE 802/11ac/a/b/g/n + Bluetooth 4.1
- » OPM-C15W-A6  
WLAN Kit, 802.11a/b/g/n/ac + BT 5
- » OPM-C02C-A3  
One Isolated USB 2.0 + Two Isolated RS-232 PCIe Card
- » OPM-C02C-A4  
Two Isolated RS-232 PCIe Card
- » 9789320100  
IR Remote Control for Display Setting
- » OPM-H08S-A2  
Desktop Stand, White Color, VESA 75/100,  
385mm Height .

Medical PC & Monitor for Digital OR

# ACCEL-A2701

27" 4K UHD 6th Generation Xeon / Core i7 Medical All in One PC for AI Inference



## Features

- Intel® 6th Generation Xeon E3-1505M v5 2.8GHz Quad Core / Core i7-6820EQ 2.8GHz Quad Core
- Supports ECC / Non-ECC DDR4 SODIMM up to 32GB
- 27" UHD 3840x2160 250-nit High Contrast LCD
- Capacitive Multi-Touch Screen
- 5 Programmable Smart Function Keys with Dual Colors LED Status Indication
- LAN/USB(optional)/COM(optional) Medical Isolation
- Dual Slots PCI Express[x16] x1 for High End Graphics Card /GPU Accelerator Card up to 300W
- PCI Express[x4] x1, PCI Express[x1]x1
- Trusted Platform Module 2.0
- Remote Management: Intel Active Management Technology
- 100V to 240V AC Input

## Specifications

### Main Specifications

Processor	Intel® 6th Generation Xeon E3-1505M v5 2.8GHz Quad Core / Core i7-6820EQ 2.8GHz Quad Core
Chipset	CM236 (for Xeon) / QM170(for Core i7)
System Memory	ECC (for Xeon) / Non-ECC (for Core i7) DDR4 SODIMM up to 32GB
Expansion	PCI Express[x16] x1, PCI Express[x4] x1, PCI Express[x1] x1
Storage Disk Drive	2.5" SATA Hard Disk Drive/Solid State Disk Drive x2
Security	Trusted Platform Module 2.0
Wireless Communication	802.11ac/a/b/g/n, Bluetooth V4.1/ 5
Speaker	5W x 2
Function Key	Power On/Off, LCD, Brightness Up/Down, Touch Screen On/Off, Video Input Select
Power Requirement	100~240V AC
OS Support	Windows® 7, Windows® 10, Linux®

### Display

Size	27" LCD
Resolution	3840 x 2160
Luminance	250 nits
View Angle	178°(H)/178°(V)
Contrast Ratio	1000:1
Back Light Life Time	30,000 Hours
Touch Screen	Capacitive Multi-Touch

### I/O

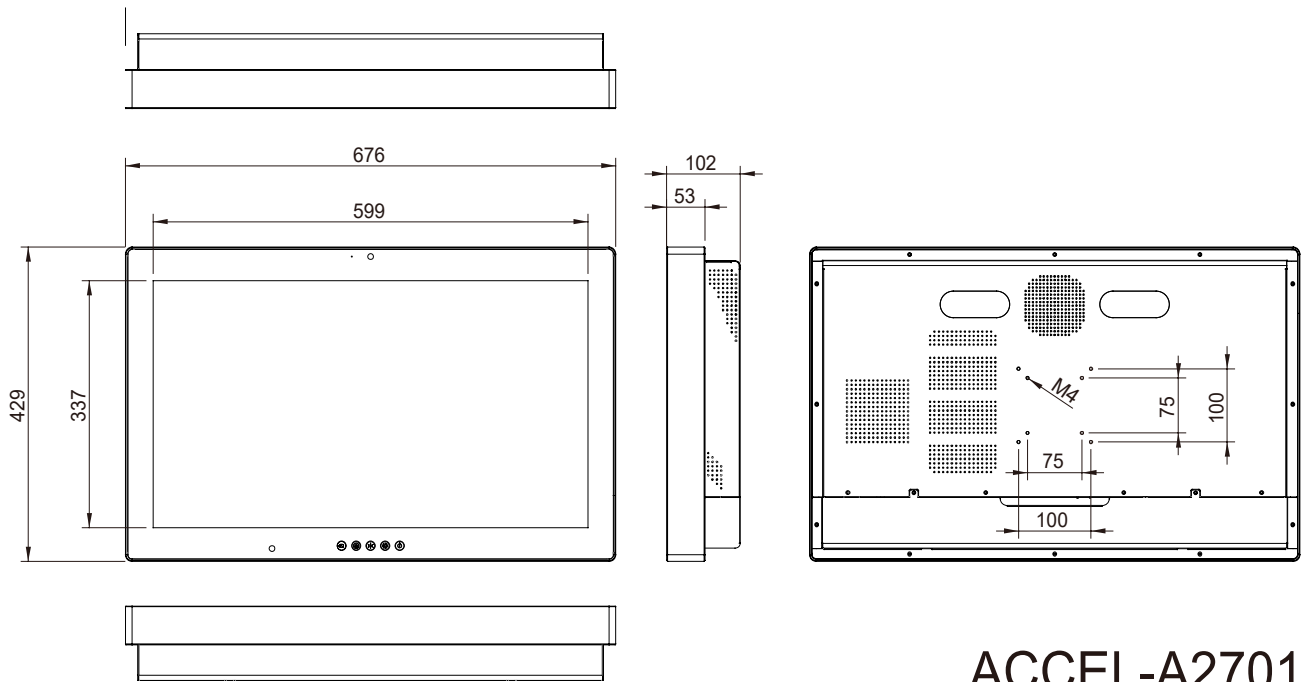
USB	USB 3.0 x4
Serial Port	Isolated RS-232 x2(optional)
Ethernet	Isolated Gigabit LAN x2
Audio	Mic(optional), Line out(optional)
Video Out	Display Port 1.4 x1
Video In	HDMI x1

### Mechanical and Environmental

Power Consumption	Full loading : 90 Watts
Operating Temperature	0°C ~ 35°C(32°F ~ 95°F)
Storage Temperature	-20°C ~ 60°C(-4°F ~ 140°F)
Mounting	VESA 100mm
Degree of Protection	IP54 in the front, IPX1 in the back
Dimension	676 x 429 x 102 mm
Package Size	820 x 575 x 230 mm
Gross Weight	16 kg (35.3 lb)
Net Weight	13.5 kg (29.76 lb)
Certifications	CE: EN 60601-1-2:2015(V4.0), EN 60601-1:2006/A1:2013(V3.1) FCC: Part 18 Class B UL: ANSI/AAMI ES60601-1:2012 (V3.1) cUL: CAN/CSA-C22.2 No. 60601-1:2014 (V3.1)

## 27" 4K UHD 6th Generation Xeon / Core i7 Medial All in One PC for AI Inference

### Dimension / Unit: mm



# ACCEL-A2701



### Ordering Information

- » ACCEL-A2701-P1-A1-0010  
OR Station. Xeon E3-1505M v5.27" UHD.  
AC 100~240V.Capacitive Touch
- » ACCEL-A2701-P2-A1-0010  
OR Station. i7-6820EQ.27" UHD.  
AC 100~240V.Capacitive Touch
- » ACCEL-A2701-P1-A11-0010  
OR Station. Xeon E3-1505M v5.27" UHD.  
AC 100~240V.Capacitive Touch. NVIDIA QUADRO RTX4000
- » ACCEL-A2701-P2-A11-0010  
OR Station. i7-6820EQ.27" UHD.  
AC 100~240V.Capacitive Touch.NVIDIA QUADRO RTX4000
- » ACCEL-A2701-P1-A12-0010  
OR Station. Xeon E3-1505M v5.27" UHD.  
AC 100~240V.Capacitive Touch.NVIDIA QUADRO P400
- » ACCEL-A2701-P2-A12-0010  
OR Station. i7-6820EQ.27" UHD.  
AC 100~240V.Capacitive Touch.NVIDIA QUADRO P400

### Optional Accessories

- » OPM-C12W-A6  
WLAN Kit, 802.11a/b/g/n/ac + BT 4.1
- » OPM-C15W-A6  
WLAN Kit, 802.11a/b/g/n/ac + BT 5
- » 9789320100  
Remote Control for Display Setting
- » OPM-C02C-A3  
One Isolated USB 2.0 + Two Isolated RS-232 PCIe Card
- » OPM-C02C-A4  
Two Isolated RS-232 PCIe Card
- » OPM-H08S-A1  
Desktop Stand, White Color, VESA 75/100, 390mm Height Max.



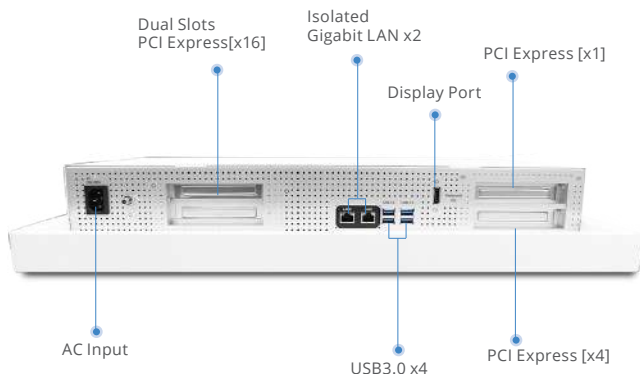
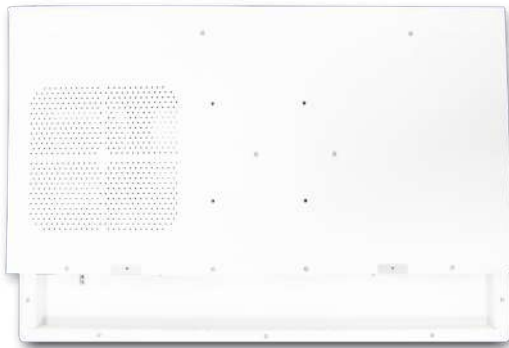
Medical PC & Monitor for Digital OR

# ACCEL-A2401

24" FHD 9th Generation Xeon / Core i7 Medial All in One PC for AI Inference



Power on / off  
LCD Brightness  
Touch Screen on/off



## Features

- Intel® 9th Generation Xeon E-2276ML 2.0GHz Six Core / Core i7-9850HL 1.9GHz Six Core
- Supports ECC / Non-ECC DDR4 SODIMM up to 64GB
- 24" FHD 1920x1080 400-nit High Contrast LCD
- Capacitive Multi-Touch Screen
- 4 Programmable Smart Function Keys with Dual Colors LED Status Indication
- LAN/USB(optional)/COM(optional) Medical Isolation
- Dual Slots PCI Express[x16] x1 for High End Graphics Card /GPU Accelerator Card up to 250W
- PCI Express[x4] x1, PCI Express[x1]x1
- Trusted Platform Module 2.0
- Remote Management: Intel Active Management Technology
- 100V to 240V AC Input

## Specifications

### Main Specifications

Processor	Intel® 9th Generation Xeon E-2276ML 2.0GHz Six Core / Core i7-9850HL 1.9GHz Six Core
Chipset	CM246 (for Xeon) / QM370(for Core i7)
System Memory	ECC (for Xeon) / Non-ECC (for Core i7) DDR4 SODIMM up to 64GB
Expansion	PCI Express[x16] x1, PCI Express[x4] x1, PCI Express[x1] x1
Storage Disk Drive	2.5" SATA Hard Disk Drive/Solid State Disk Drive x2
Security	Trusted Platform Module 2.0
Wireless Communication	802.11ac/a/b/g/n, Bluetooth V4.1/ 5
Speaker	5W x 2
Function Key	Power On/Off, LCD, Brightness Up/Down, Touch Screen On/Off
Power Requirement	100~240V AC
OS Support	Windows® 10, Linux®

### Display

Size	24" LCD
Resolution	1920 x 1080
Luminance	400 nits
View Angle	178°(H)/178°(V)
Contrast Ratio	1000:1
Back Light Life Time	30,000 Hours
Touch Screen	Capacitive Multi-Touch

### I/O

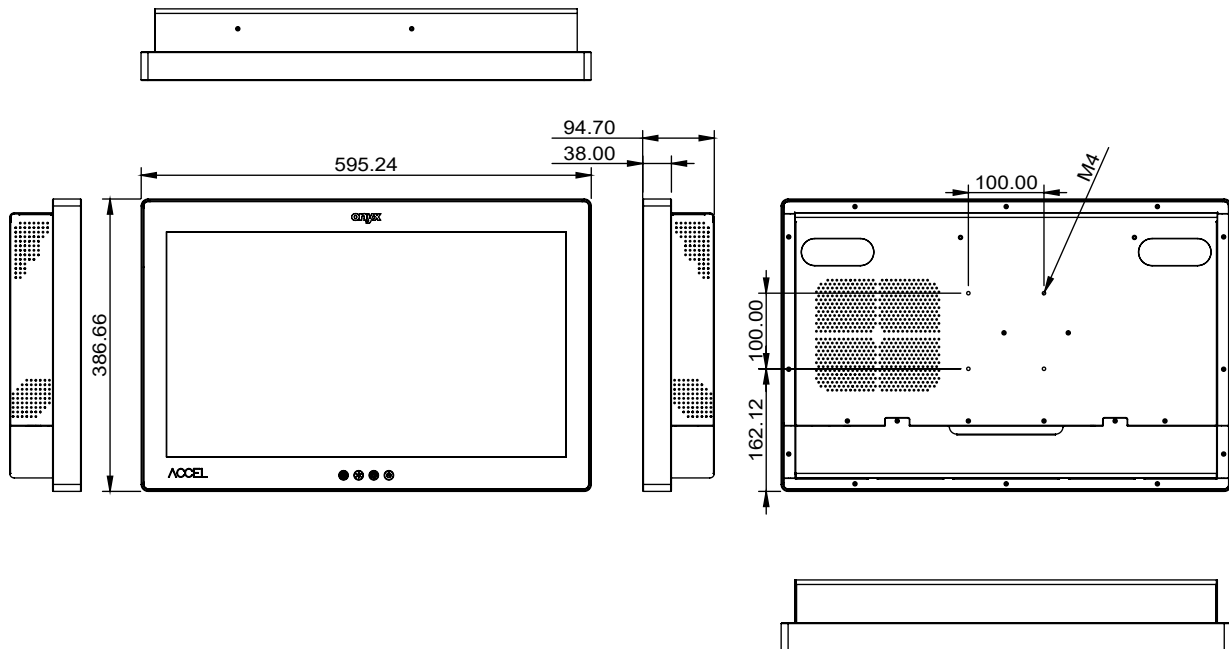
USB	USB 3.0 x4
Serial Port	Isolated RS-232 x2(optional)
Ethernet	Isolated Gigabit LAN x2
Audio	Mic(optional), Line out(optional)
Video Out	Display Port 1.4 x1

### Mechanical and Environmental

Power Consumption	Full loading : 75 Watts
Operating Temperature	0°C ~ 35°C(32°F ~ 95°F)
Storage Temperature	-20°C ~ 60°C(-4°F ~ 140°F)
Mounting	VESA 100mm
Degree of Protection	IP54 in the front, IPX1 in the back
Dimension	595 x 387 x 95 mm
Package Size	764 x 240 x 534 mm
Gross Weight	13 kg (28.7 lb)
Net Weight	11 Kg (24.3 lb)
Certifications	CE: EN 60601-1-2:2015(V4.0), EN 60601-1:2006/A1:2013(V3.1) FCC: Part 18 Class B UL: ANSI/AAMI ES60601-1:2012 (V3.1) cUL: CAN/CSA-C22.2 No. 60601-1:2014 (V3.1)

## 24" FHD 9th Generation Xeon / Core i7 Medial All in One PC for AI Inference

### Dimension / Unit: mm



### Ordering Information

- » ACCEL-A2401-P1-A1-0010  
OR Station.Xeon E3-2276ML.24" FHD.Capacitive Touch
- » ACCEL-A2401-P1-A11-0010  
OR Station.Xeon E3-2276ML.24" FHD.Capacitive Touch.  
Nvidia QUADRO RTX4000
- » ACCEL-A2401-P1-A12-0010  
OR Station.Xeon E3-2276ML.24" FHD.Capacitive Touch.  
Nvidia QUADRO P400
- » ACCEL-A2401-P2-A1-0010  
OR Station.i7-9850HL.24" FHD.Capacitive Touch
- » ACCEL-A2401-P2-A11-0010  
OR Station.i7-9850HL.24" FHD.Capacitive Touch.  
Nvidia QUADRO RTX4000
- » ACCEL-A2401-P2-A12-0010  
OR Station.i7-9850HL.24" FHD.Capacitive Touch.  
Nvidia QUADRO P400

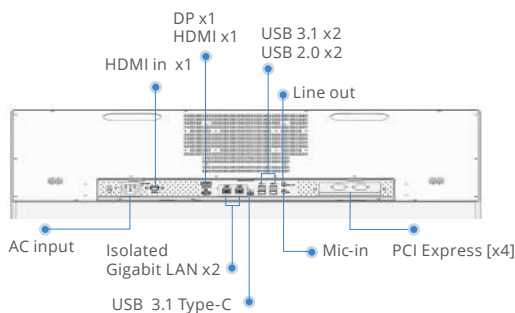
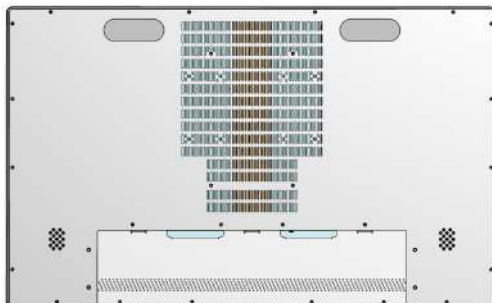
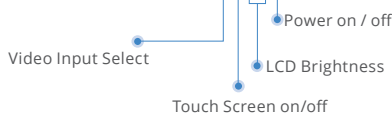
### Optional Accessories

- » OPM-C12W-A6  
WLAN Kit, 802.11a/b/g/n/ac + BT 4.1
- » OPM-C15W-A6  
WLAN Kit, 802.11a/b/g/n/ac + BT 5
- » OPM-C02C-A3  
One Isolated USB 2.0 + Two Isolated RS-232 PCIe Card
- » OPM-C02C-A4  
Two Isolated RS-232 PCIe Card
- » OPM-H08S-A1  
Desktop Stand, White Color, VESA 75/100, 390mm Height Max.

Medical PC & Monitor for Digital OR

# ACCEL-A3202

32" 4K UHD AMD Ryzen Embedded V1000 Medial All in One PC



## Features

- AMD Ryzen Embedded V1605B Quad Core up to 3.6GHz
- Supports ECC / Non-ECC DDR4 SODIMM up to 32GB
- 32" UHD 3840x2160 350-nit High Contrast LCD
- Capacitive Multi-Touch Screen
- 5 Programmable Smart Function Keys with Dual Colors LED Status Indication
- PCI Express[x4] x1
- Support 3x 4K monitors with Display Port 1.2 x1 & HDMI 2.0 x1 & USB 3.1 Type-C
- 100V to 240V AC Input

## Specifications

### Main Specifications

Processor	AMD Ryzen Embedded V1605B 3.6GHz Quad Core
System Memory	ECC / Non-ECC DDR4 SODIMM up to 32GB
Expansion Interface	PCI Express[x4] x1
Storage Disk Drive	2.5" SATA Hard Disk Drive/Solid State Disk Drive x1
Security	fTPM 2.0
Wireless Communication	802.11ac/a/b/g/n, Bluetooth V4.1 / V4.2
Speaker	5W x 2
Function Key	Power On/Off, LCD Brightness Up/Down, Touch Screen On/Off, Video Input Select
Power Requirement	100-240V AC
OS Support	Windows® 10, Linux®

### Display

Size	32" LCD
Resolution	3840 x 2160
Luminance	350 nits
View Angle	178°(H)/178°(V)
Contrast Ratio	1000:1
Back Light Life Time	30,000 Hours
Touch Screen	Capacitive Multi-Touch

### I/O

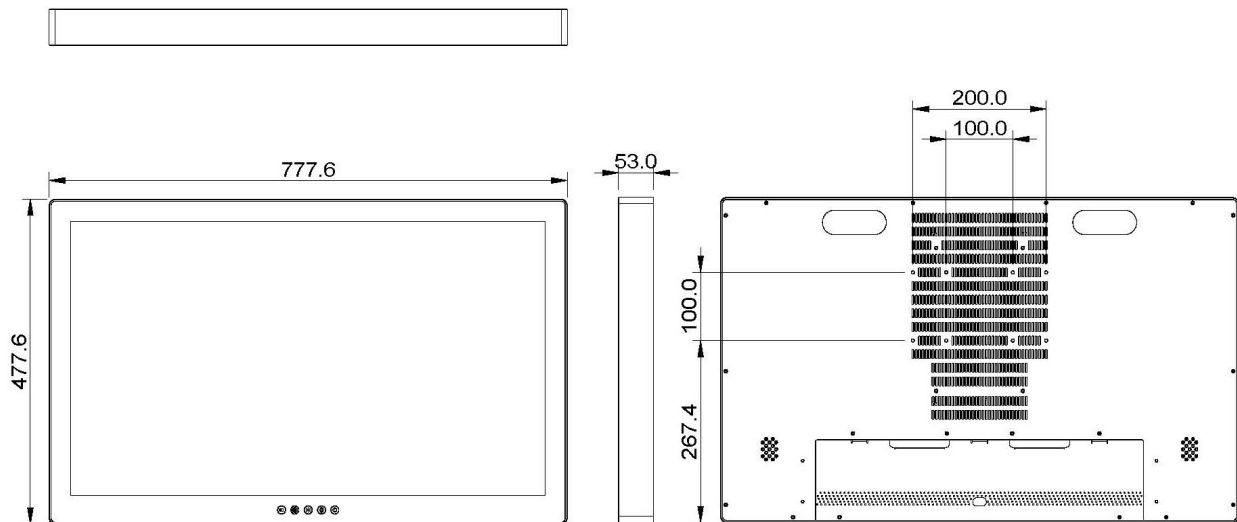
USB	USB 3.1 Type-C x 1, USB 3.1 Type-A x 2, USB 2.0 x 2
Serial Port	Isolated RS-232 x2(optional)
Ethernet	Gigabit LAN x2
Audio	Mic, Line out
Video In	HDMI x1
Video Out	Display Port 1.2 x1, HDMI 2.0 x1, USB 3.1 Type-C x1

### Mechanical and Environmental

Power Consumption	Full loading : 80 Watts
Operating Temperature	0°C ~ 35°C(32°F ~ 95°F)
Storage Temperature	-20°C ~ 60°C(-4°F ~ 140°F)
Mounting	VESA 100mm
Degree of Protection	IP54 in the front, IPX1 in the back
Dimension	778 x 478 x 53 mm
Package Size	910 x 618 x 220 mm
Gross Weight	17.5 kg (38.58 lb)
Net Weight	14.5 kg (31.96 lb)
Certifications	CE: EN 60601-1-2:2015(V4.0), EN 60601-1-2:2006/A1:2013(V3.1) FCC: Part 18 Class B UL: ANSI/AAMI ES60601-1:2012 (V3.1) cUL: CAN/CSA-C22.2 No. 60601-1:2014 (V3.1)

## 32" 4K UHD AMD Ryzen Embedded V1000 Medial All in One PC

### Dimension / Unit: mm



### Ordering Information

- » ACCEL-A3202-P1-A1-0010  
OR Station.Ryzen V1605B.32" UHD 350-nit.AC 100~240V.PCT

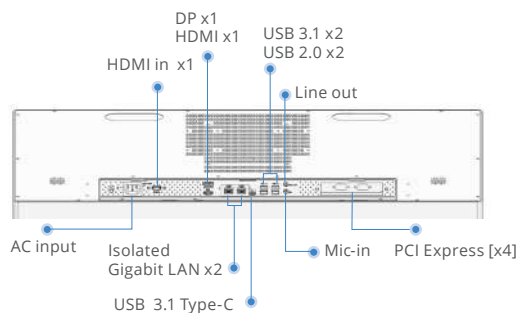
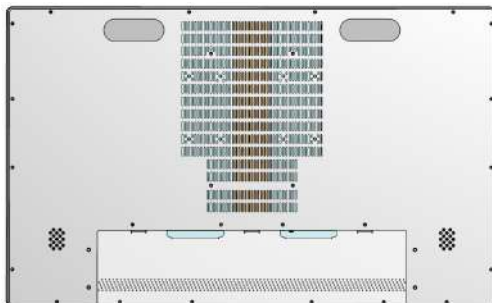
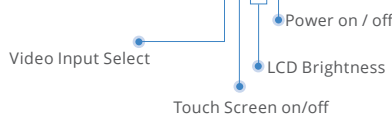
### Optional Accessories

- » OPM-C12W-A6  
WLAN Kit, Qualcomm Atheros IEEE 802/11ac/a/b/g/n + Bluetooth 4.1
- » OPM-C15W-A6  
WLAN Kit, 802.11a/b/g/n/ac + BT 5
- » OPM-C02C-A3  
One Isolated USB 2.0 + Two Isolated RS-232 PCIe Card
- » OPM-C02C-A4  
Two Isolated RS-232 PCIe Card
- » 9789320100  
IR Remote Control for Display Setting
- » OPM-H08S-A2  
Desktop Stand, White Color, VESA 75/100, 385mm Height .

Medical PC & Monitor for Digital OR

# ACCEL-A2702

27" 4K UHD AMD Ryzen Embedded V1000 Medial All in One PC



## Features

- AMD Ryzen Embedded V1605B Quad Core up to 3.6GHz
- Supports ECC / Non-ECC DDR4 SODIMM up to 32GB
- 27" UHD 3840x2160 250-nit High Contrast LCD
- Capacitive Multi-Touch Screen
- 5 Programmable Smart Function Keys with Dual Colors LED Status Indication
- PCI Express[x4] x1
- Support 3x 4K monitors with Display Port 1.2 x1 & HDMI 2.0 x1 & USB 3.1 Type-C
- 100V to 240V AC Input

## Specifications

### Main Specifications

Processor	AMD Ryzen Embedded V1605B 3.6GHz Quad Core
System Memory	ECC / Non-ECC DDR4 SODIMM up to 32GB
Expansion Interface	PCI Express[x4] x1
Storage Disk Drive	2.5" SATA Hard Disk Drive/Solid State Disk Drive x1
Security	fTPM 2.0
Wireless Communication	802.11ac/a/b/g/n, Bluetooth V4.1 / V4.2
Speaker	5W x 2
Function Key	Power On/Off, LCD Brightness Up/Down, Touch Screen On/Off, Video Input Select
Power Requirement	100-240V AC
OS Support	Windows® 10, Linux®

### Display

Size	27" LCD
Resolution	3840 x 2160
Luminance	250 nits
View Angle	178°(H)/178°(V)
Contrast Ratio	1000:1
Back Light Life Time	30,000 Hours
Touch Screen	Capacitive Multi-Touch

### I/O

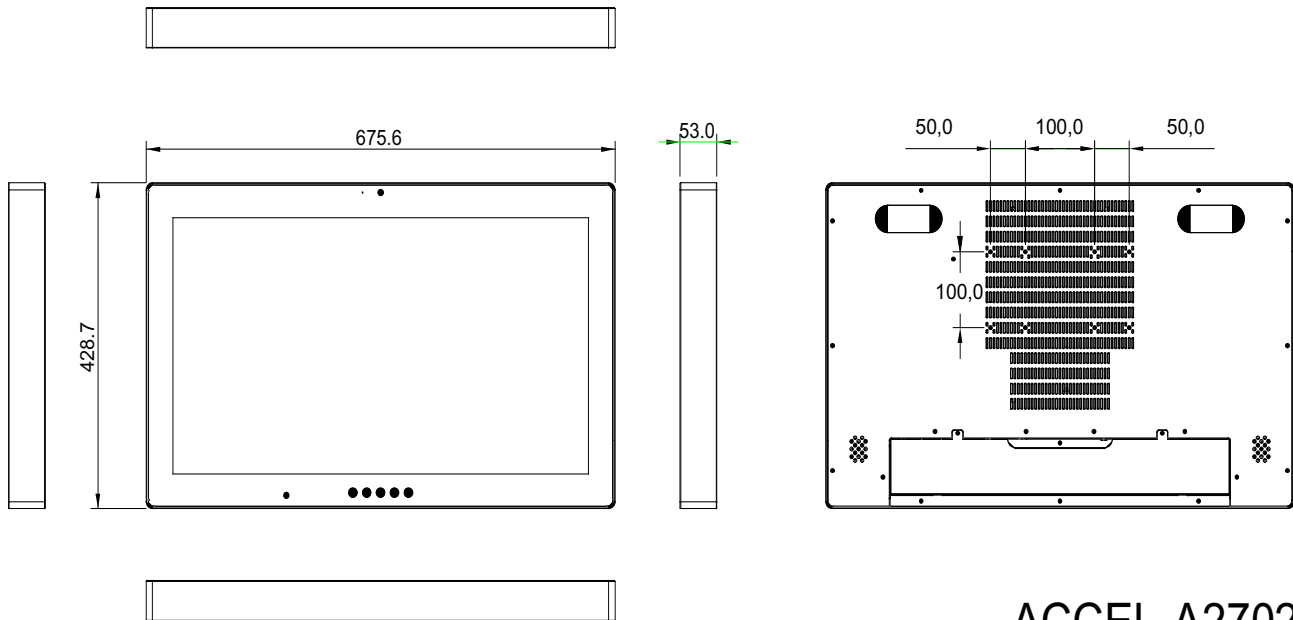
USB	USB 3.1 Type-C x 1, USB 3.1 Type-A x 2, USB 2.0 x 2
Serial Port	Isolated RS-232 x2(optional)
Ethernet	Gigabit LAN x2
Audio	Mic, Line out
Video In	HDMI x1
Video Out	Display Port 1.2 x1, HDMI 2.0 x1, USB 3.1 Type-C x1

### Mechanical and Environmental

Power Consumption	Full loading : 80 Watts
Operating Temperature	0°C ~ 35°C(32°F ~ 95°F)
Storage Temperature	-20°C ~ 60°C(-4°F ~ 140°F)
Mounting	VESA 100mm
Degree of Protection	IP54 in the front, IPX1 in the back
Dimension	676 x 429 x 53 mm
Package Size	820 x 575 x 230 mm
Gross Weight	14 kg (30.9 lb)
Net Weight	11.3 kg (24.91 lb)
Certifications	CE: EN 60601-1-2:2015(V4.0), EN 60601-1:2006/A1:2013(V3.1) FCC: Part 18 Class B UL: ANSI/AAMI ES60601-1:2012 (V3.1) cUL: CAN/CSA-C22.2 No. 60601-1:2014 (V3.1)

## 27" 4K UHD AMD Ryzen Embedded V1000 Medial All in One PC

## Dimension / Unit: mm



ACCEL-A2702



## Ordering Information

- » ACCEL-A2702-P1-A1-0010  
OR Station.V1605B.32" UHD.AC 100~240V.Capacitive Touch

## Optional Accessories

- » OPM-C12W-A6  
WLAN Kit, 802.11a/b/g/n/ac + BT 4.1
- » OPM-C15W-A6  
WLAN Kit, 802.11a/b/g/n/ac + BT 5
- » 9789320100  
Remote Control for Display Setting
- » OPM-C02C-A3  
One Isolated USB 2.0 + Two Isolated RS-232 PCIe Card
- » OPM-C02C-A4  
Two Isolated RS-232 PCIe Card
- » OPM-H08S-A1  
Desktop Stand, White Color, VESA 75/100, 390mm Height Max.

Medical PC & Monitor for Digital OR

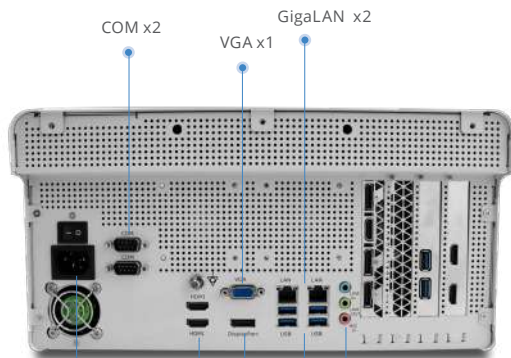
# ACCEL-VM500

Medical Video Management System with 9th Generation Intel Xeon / Core i7 CPU



Power button

USB 2.0 x2 /  
USB 3.0 x2 (optional)



COM x2

VGA x1

GigaLAN x2

AC input

HDMI x2

DP x1

USB 3.0 x4

Line-in x1

Line-out x1

Mic-in x1

## Features

- Intel® Xeon E-2278GE 3.3GHz / Core i7-9700E 2.6Ghz
- Supports ECC DDR4 DIMM up to 64GB memory
- Support windows video recording and video management software
- An open SDK enable user to integrate the product into environment or workflow management system
- Support Three 4K Displays: HDMI x 2, DP x 1
- Multi channels are supported to record 4K and FHD medical videos simultaneously
- Support PCIe [16] x 1, for High end graphic card (250W)

## Application

- Equipment control
- Video recording in OR room
- Medical AI Application

## Specifications

### Main Specifications

Processor	Intel® Xeon E-2278GE 3.3GHz / Core i7-9700E 2.6Ghz
System Memory	Supports ECC DDR4 2133 DIMM x 4 up to 64GB
Chipset	Intel® C246
OS Support	Windows® 10 , Linux (optional)
Storage Disk Drive	2.5" SATA x 2 , M.2 SSD x 1
TPM	2.0

### I/O

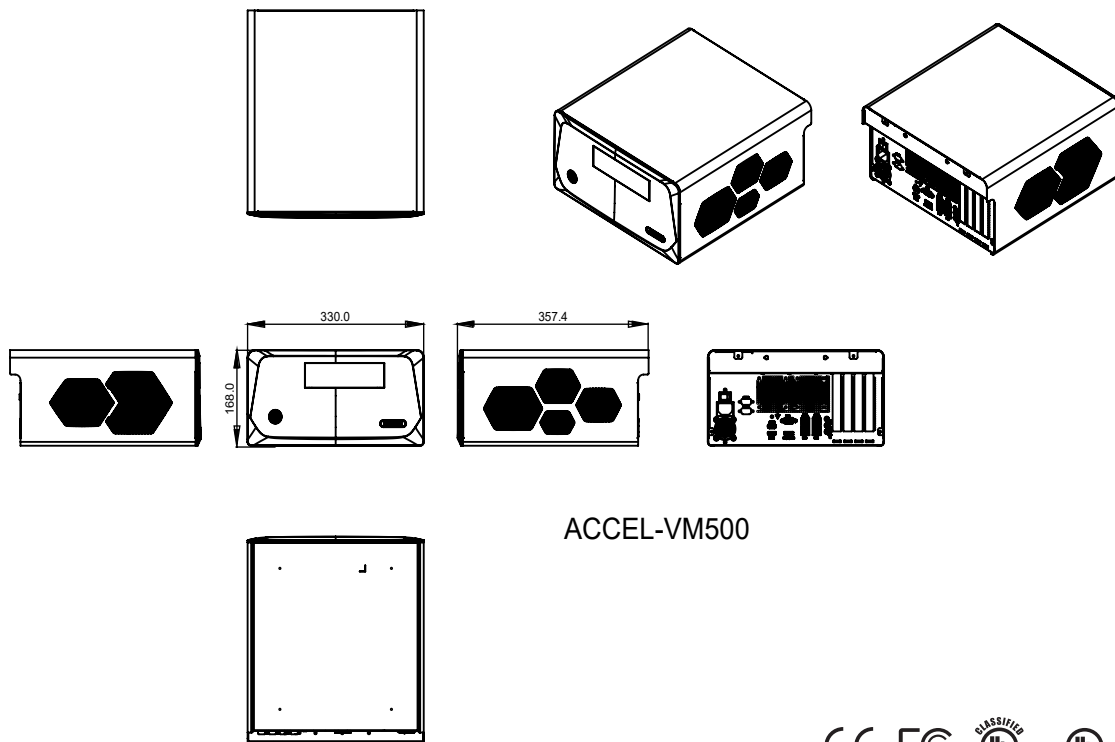
USB	USB 3.0 x 4, Front USB 2.0 x 2 or USB 3.0 x 2(optional)
Ethernet	Gigabit LAN x 2
Video Out	DP x 1, VGA x 1, HDMI x 2
Audio	Line-in, Mic-in, Line-out
Series Ports	COMx2
Extension area	M.2 E key (2230) for WIFI x1, PCIe [x16] x1 PCIe [x4] x2 , PCIe [x1] x 1
Optional Capture I/O	4Kp60: HDMI 2.0 in FHD:1xHDMI, 1xDVI-I, 1xYPbPr, 1xSDI, 1xCVBS, 1xS-Video

### Mechanical and Environmental

Power Consumption	100V to 240V AC Input, 500W
Operating Temperature	0°C ~ 35°C(32°F ~ 95°F)
Storage Temperature	-20°C ~ 60°C(-4°F ~ 140°F)
Dimension	330 x 357.4 x 168 mm
Package Size	500 x 490 x 300 mm
Gross Weight	8.6 kg
Net Weight	8 kg
Certifications	CE: EN 60601-1-2:2015(V4.0), EN 60601-1:2006/A1:2013/A12:2014 (V3.1) FCC: Part 18 Class B, Part 15 Class B, UL: ANSI/AAMI ES60601-1:2012 (V3.1) cUL: CAN/CSA-C22.2 No. 60601-1:2014 (V3.1)

## Medical Video Management System with 9th Generation Intel Xeon / Core i7 CPU

### Dimension / Unit: mm



ACCEL-VM500



### Ordering Information

- » ACCEL-VM500-N1-A1-0010  
Medical Box PC.I7-9700E.FAN.4PCIe slot.AC 100~240V.White
- » ACCEL-VM500-N2-A1-0010  
Medical Box PC.E-2278GE.FAN.4PCIe slot.AC 100~240V.White

### Optional Accessories

- |  |   |
|--|---|
| <ul style="list-style-type: none"> <li>» OPM-C12W-A13<br/>WLAN Kit.802.11a/b/g/n/ac.w/BT 4.1.dual ext. antenna.<br/>Qualcomm Atheros NFA364A.for ACCEL-VM500</li> <li>» OPM-C15W-A13<br/>WLAN Kit.802.11a/b/g/n/ac.BT 5.dual ext. antenna.<br/>Intel AC 9260NGWGIE.NV,999LV6.for ACCEL-VM500</li> <li>» 9686400008<br/>Graphics Card.NVIDIA Quadro RTX4000 8GB.GDDR6 PCI-E.<br/>NVIDIA.RTX4000</li> <li>» 9686666683<br/>Graphics Card.PCI-Express 16X.NVIDIA GeForce RTX 2080<br/>Super.8GB GDDR6.</li> <li>» 9686666685<br/>4k HDMI capture card.2 Port.HDMI2.0</li> </ul> | <ul style="list-style-type: none"> <li>» 9686015601<br/>Full HD PCIe Video.Capture Card. 1×HDMI, 1×DVI-I, 1×YPbPr,<br/>1×SDI, 1×CVBS, 1×S-Video</li> <li>» A50-SEC-A1<br/>Second 2.5" HDD/SSD kit .for ACCEL-VM500</li> </ul> |
|--|---|



Medical PC & Monitor for Digital OR

# ACCEL-M3201

8MP 32" 4K-UHD Surgical Monitor



## Features

- 8MP resolution for accurate and superior image quality
- Optional 700 nits high brightness version for better clarity
- Wide viewing angle for better viewing experience
- Support Optional DICOM part 14 for X-Ray image
- Integration of backlight sensor for image consistency
- Multiple signal input on one screen with PIP/PBP/POP/rotate mode functionality
- IP 65 for front panel and IP22 for back cover and slim design
- Support Optional 12G SDI for 4K video transmission

## Specifications

### Display

Size	32"
Resolution	3840 x 2160 (UHD 4K)
Aspect Ratio	16:9, Full, 16:10, 4:3, 5:4, 1:1
Brightness (Typ.)	350nits/700nits (Optional)
Viewing Angle (CR=10)(Typ.)	178°(H)/178°(V)
Contrast Ratio (Typ.)	1000:1
Touch Screen	Projective capacitive touch screen (optional)

### System

OS Support	Windows® XP, Windows® 7, Windows® 10
Image Support	DICOM(Optional), Gamma correction, 3DLUT
Further Features	Ambient light sensor, IR Control

### I/O

Input Signal	3G SDI x 1, VGA x 1, HDMI 2.0 x 1 Dual DVI in x1, DP 1.2 x1, HDMI 1.4 x1, Audio In x1
Output Signal	DP (Multi-Stream Transport) x 1 Audio Out x 1 5V out x 1 SDI (Loop Through), support to 1080P* x 1

### Mechanical and Environmental

Power Consumption	24V DC in 150W, with external 110-240V AC to DC Adapter
Operating Temperature	5°C ~ 40°C(41°F ~ 104°F)
Storage Temperature	-10°C ~ 60°C(14°F ~ 140°F)
Storage Humidity	10%~90%@35°C, non-condensing
Housing	Antimicrobial Surface Coating
VESA	VESA mounting 100 x 100mm VESA mounting 200 x 100mm VESA mounting 300 x 100mm
IP Rating	Protection: front IP65 - rear IP22
Dimension	777.58 x 477.62 x 48 mm
Package Size	980 x 260 x 700 mm
Gross Weight	13 kg (28.66 lb)
Net Weight	11 kg (24.25 lb)
Certifications	CE: EN 60601-1:2005 + A1:2015 (Ed. 4.0) EN 60601-1:2006/A1:2013/A12:2014(V3.1) UL : ANSI/AAMI ES60601-1:2005/ A1:2012 and C1:2009/(R)2012 and A2:2010/(R)2012 cUL: CAN/CSA-C22.2 No.60601-1:14 FCC part 15B

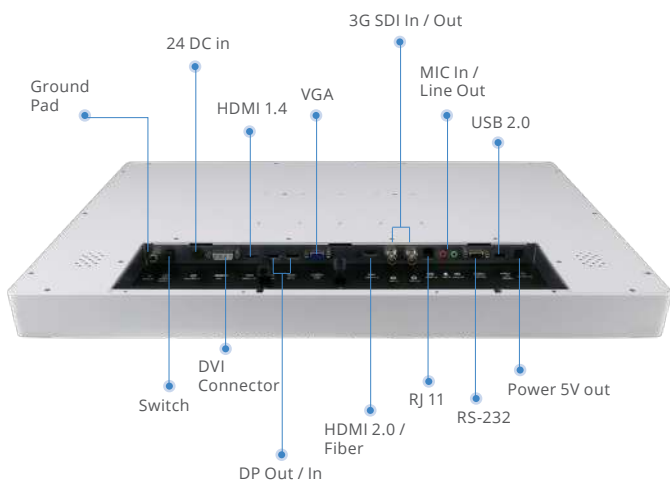
## Order information

### » ACCEL-M3201-P00-A1-0000

32" 4K UHD.350nits LCD Monitor, P-Cap.3G SDI x1, VGA x1, HDMIx21. DVI x1, DP x1.Med adapter

### » ACCEL-M3201-G00-A1-0000

32" 4K UHD.350nits LCD Monitor.3G SDI x1, VGA x1, HDMIx1.DVI x1, DP x1.Med adapter



Medical PC & Monitor for Digital OR

# ACCEL-VM100

HDMI/DP over IP Transceiver with USB Extension for Digital OR



## Features

- Can be configured to function as either a Transmitter or a Receiver
- IP switchable with minimum latency requires optional control center or control software
- Extension up to 30km (maximum distance depends on the SFP+ module and type of fiber used)
- Supports the use of an external control center or control software to provide expanded functionality

## Specifications

### Interfaces

Input Port	1 x HDMI (Type-A) 1 x DisplayPort
Output Port	1 x HDMI (Type-A)
Bi-directional Port	1 x 10GbE LAN (SFP+)
Pass-through Port	1 x Unbalanced Stereo (3.5mm) 1 x IR Extender (3.5mm) 1 x IR Blaster (3.5mm) 1 x RS-232 (3-pin Terminal Block) 1 x Ethernet (RJ-45) 3 x USB (Type-A)
Service Port	1 x USB (Mini-B)

### Video

HDMI Compliance	HDMI 2.0 (DVI 1.0)
HDCP Compliance	2.2
Input Signal Types	HDMI 2.0 / 4K@60, HDR10 / DisplayPort 1.4 HBR2

### Resolutions

Maximum Input	HDMI - 4096×2160p@60, 2560×1600p@60RB DisplayPort - 4096×2160p@60, 2560×1600p@60RB Streaming - 4096×2160p@60, 2560×1600p@60RB
Maximum Output	HDMI - 4096×2160p@60, 2560×1600p@60RB Streaming - 4096×2160p@60, 2560×1600p@60RB

### Audio

Digital Formats	HDMI - 8CH LPCM, Bitstream, HD Bitstream DisplayPort- 8CH LPCM, Bitstream, HD Bitstream
Analog Formats	Unbalanced 2 Channel
Line Level	Frequency Response: <math>\pm 0.5\text{dB}</math> (20Hz to 20kHz) THD: <math>< 0.02\%</math> (20Hz to 20kHz) S/N Ratio: > 80dB (1kHz with 0dBFS) Crosstalk: <math>< -80\text{dB}</math> (10kHz, $V_{in}=0\text{dBFS}$ )

### Power

Power Supply	12V/3A (Locking)
Power Consumption	HDMI 2.0 / 4K@60, HDR10 / DisplayPort 1.4 HBR2

### Enclosure

Chassis Material	Metal (Steel)
Chassis Color	White
Certification	CE: EN 60601-1-2:2015(V4.0), EN 60601-1:2006/A1:2013/A12:2014 (V3.1) FCC: Part 18 Class A

## Order information

- » ACCEL-VM100-N1-A1-0001  
4K UHD+ HDMI/DP/USB over Fiber Transmitter/Receiver  
(10Gbit/s SFP+)

Medical PC & Monitor for Digital OR

# ACCEL-VM200

AV over IP Master Controller



## Features

- Enables the management and configuration of multiple compatible video over IP (VoIP) extender through a single WebGUI.
- WebGUI clearly displays the status of all connected Transmitters and Receivers, including IP address, channel selection, etc.
- Dual LAN ports enable control over VoIP installations that reside on a logically or physically separate network from the standard local network.
- Support Optional Trigger Control Keypad for easy, single-button, preset activation.

## Specifications

### Interfaces

Output Port	1 x HDMI
Control I/O	1 x IR Extender (3.5mm) 1 x RS-232 (3-pin Terminal Block) 8 x Trigger (10-pin Terminal Block) 1 x USB (Type-A) 2 x LAN (RJ-45)
Reserved Port	1 x RS-232 (5-pin Terminal Block)

### Video

Maximum Output	HDMI
----------------	------

### Resolutions

Maximum Output	1920 x 1080p@60
----------------	-----------------

### Power

Power Supply	5V/2.6A DC (Locking)
Power Consumption	2.99W

### Enclosure

Chassis Material	Metal (Steel)
Chassis Color	White
Dimensions (W×H×D)	231.5 × 25 × 108 mm (Case Only) 231.5 × 25 × 117 mm (All Inclusive)
Weight	250g
Packing Size	280 × 180 × 71 mm
Certification	CE: EN 60601-1-2:2015(V4.0), EN 60601-1:2006/A1:2013/A12:2014 (V3.1) FCC: Part 18 Class A

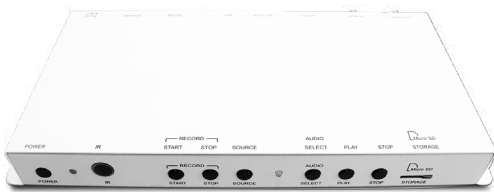
## Order information

» ACCEL-VM200-N1-A1-0001  
AV over IP Master Controller

Medical PC & Monitor for Digital OR

# ACCEL-VS100

HDMI/VGA Live Video Streamer with Recording



## Features

- Audio embedding and mixing support with the analog stereo audio input
- Integrated support for live streaming to Facebook, Youtube or Twitch Channel
- On screen countdown timer and test overlay are supported
- Generate 4 simultaneous streams from the same video source for easy system integration at multiple bandwidth targets
- Control via front panel buttons WebGUI, Telnet, RS232 and IR

## Specifications

### Interfaces

Input Port	1 x HDMI (Type-A) 1 x VGA (HD-15) 1 x Unbalanced Stereo (3.5mm)
Output Port	1 x HDMI (Type-A)
Pass-through Port	1 x LAN (RJ-45) 1 x RS-232 (DE-9) 1 x MicroSD slot
Service Port	1 x USB (Type-A)

### Video

HDMI Compliance	2.0
HDCP Compliance	2.2
Input Signal Types	4K@60 8bit YUV 4:4:4
Output Signal Type	4K@60 8bit YUV 4:4:4

### Resolutions

Maximum Input	HDMI - 4096×2160p@60, 2560×1600p@60RB VGA - 1920×1200p@60RB
Maximum Output	HDMI - 4096×2160p@60, 2560×1600p@60RB H.264 Stream - 1080p@60

### Audio

HDMI	Unbalanced Stereo, 2CH LPCM
------	-----------------------------

### Power

Power Supply	5V/2.6A
Power Consumption	9.57W (Full load)

### Enclosure

Chassis Material	Metal (Steel)
Chassis Color	White
Dimensions (W×H×D)	231.5 × 25 × 108 mm
Weight	668g
Packing Size	280 x 180 x 71 mm
Certification	CE: EN 60601-1-2:2015(V4.0), EN 60601-1:2006/A1:2013/A12:2014 (V3.1) FCC: Part 18 Class A

## Order information

» »ACCEL-VS100-N1-A1-0001  
HDMI/VGA Live Video Streamer with Recording

# Slim Medical All in One PC

The Slim Medical Panel PC is designed to meet the requirements and still be cost effective. It is running an Intel Atom processor, and it included all necessary input slots within its ultra slim chassis. The flexibility of slim fanless all in one medical panel PC is perfect for hospital applications such as mobile nursing station, wall-mount diagnosis panel, pharmacy automation and hospital administration automation.



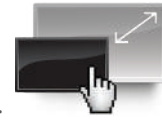
## Fanless Slim Panel PC Solution

- »» Green Operation
- »» Flexible Power Input
- »» High Speed Wireless Data Transmission
- »» Processing in Compact Size
- »» Small to large LCD Choices
- »» Quiet, Clean & Easy Maintenance



## + Small to Large LCD Choices

Slim Medical Panel PC offers four LCD sizes to fulfill the requirements of various hospital applications. 10.1" (Resolution:1280x800), 12"(Resolution:1366x768), 15.6"(Resolution:1920x1080), 17"(Resolution:1280x1024), 18.5"(Resolution:1366x768).



## + Quiet, Clean & Easy to Maintain

Slim Medical Panel PCs utilize a large fanless heatsink on the back cover to efficiently dissipate heat generated from the processor and chipset. The Fanless cooling design keeps the environment quiet, clean and lowers maintenance efforts.



## + Green & Compact Size for Operation

Less than 50W power consumption keeps Slim Medical Panel PC operating and extends the battery life of mobile medical carts. With narrow edge and monitor like chassis, it is easy and space friendly to users.



## + Wide Range Power Input for Different Carts

Slim Medical Panel PCs are designed to accept +9V to +30V DC power input. This wide range power input allows ease of operation with the battery source. It can integrate with Metro, Ergatron, ITD, Howard, and all major computer carts seamlessly.



## + Dual Antennas with Best WLAN performance

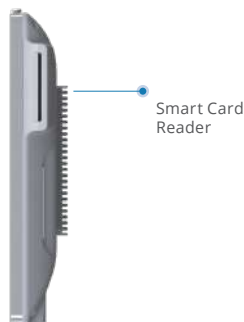
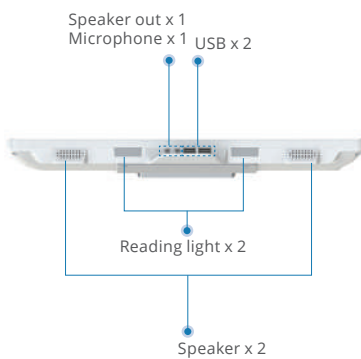
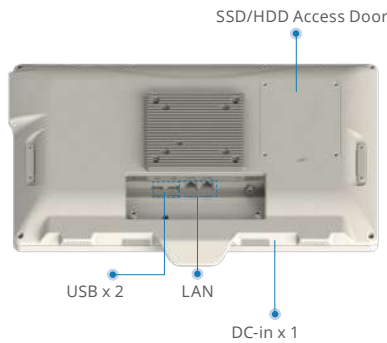
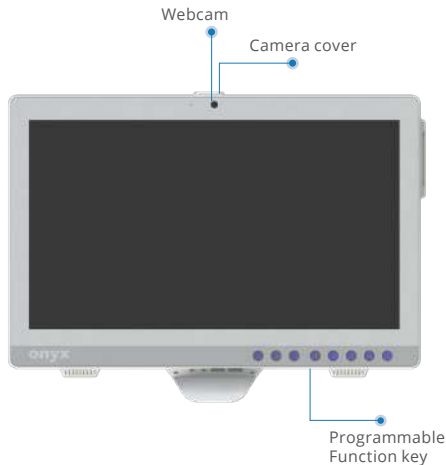
With two antennas built into the Slim Medical Panel PCs, massive medical records and PACS images can be transferred through IEEE 802.11 ac/a/b/g/n wireless LAN up to 300Mbps/sec.



Slim Medical All in One PC

# ONYX-BE182

18.5" Fanless Slim Medical All in One PC



## Features

- Intel® J1900 2.42GHz Quad Core Processor
- 18.5" Wide Color TFT LCD Touch Terminal
- PCT for supporting Multi-Touch
- Wire Remote-Control w/ Handset Function
- VOIP Phone, Webcam, High Quality Speaker, MSR, Smart Card Reader
- Reading Light
- Extension Feature: RFID, Barcode Scanner
- IP65 Water Proof in front
- EN 60601-1, UL 60601-1

## Specifications

### Main Specifications

Processor	Intel® Celeron J1900 Quad Core 2.42GHz
System Memory	Supports DDR3 SODIMM up to 8GB
Expansion Interface	Mini Card x 2
Storage Disk Drive	2.5" SATA Hard Disk Drive/SSD x 1
Security	Trusted Platform Module, Smart Card Reader (optional), MSR (optional), RFID (optional)
Wireless communication	802.11b/g/n(optional), Bluetooth 4.0 (optional)
Speaker	3W x 2
Function Key	Speaker Volume Up/Down, LCD Brightness Up/Down
Power Requirement	DC 12~24V
OS Support	Windows 7, Window 10, Linux

### Display

Size	18.5" (16:9) Color TFT LCD
Resolution	1366 x 768 / 1920 x 1080 FHD (optional)
Max. Colors	16.7M
Luminance	250 nits / 350nits (optional)
View Angle	170(H)/160(U)
Contrast Ratio	1000:1
MTBF	30,000 Hours
Touch Screen	Projected Capacitive Touch / 5-Wire Resistive Touch

### I/O

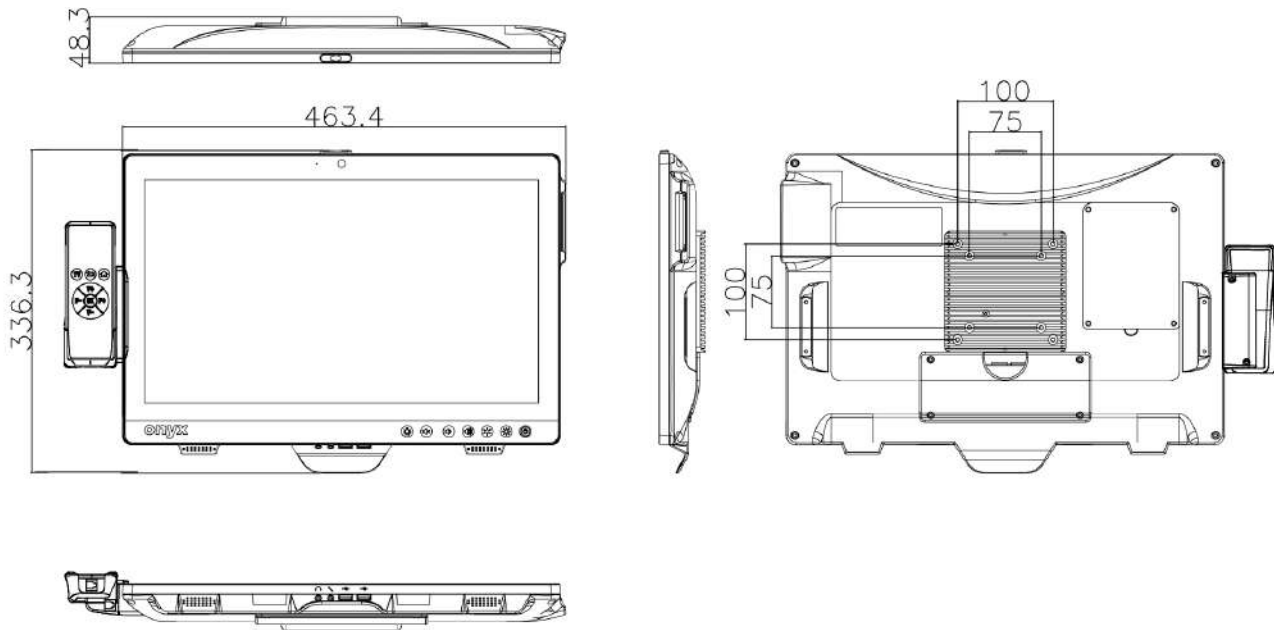
USB	USB2.0 x 4
Serial Port	Isolated RS-232 x 1
Ethernet	Isolated Gigabit LAN x 2
Audio	Mic-in, Line-out

### Mechanical and Environmental

Infection Control	Anti-Bacteria (optional)
Power Requirement	DC 12V ~24V
Operating Temperature	0°C ~ 40°C(32°F ~ 104°F)
Storage Temperature	-20°C ~ 60°C(-4°F ~ 140°F)
Mounting	VESA 75/100 mm
Degree of protection	Front Panel: IP65; Whole Unit: IPX1
Dimension	463 x 336 x 48.3 mm
Package Size	721 x 224 x 464 mm
Gross Weight	8kg (17.63 lb)
Net Weight	4.2 kg (9.25 lb)
Certifications	CE: EN 60601-1-2:2015, EN 60601-1:2006/A1:2013 FCC: Part 18 Class B UL: ANSI/AAMI ES60601-1:2012 cUL: CAN/CSA-C22.2 No. 60601-1:2014

## 18.5" Fanless Slim Medical All in One PC

## Dimension / Unit: mm



## Ordering Information

- » ONYX-BE182DT-A1-1010  
18.5" Infotainment Terminal. Intel Quad-Core J1900. 2G RAM. Fanless. Resistive Touch. Reading Light. Webcam. Smart Card Reader
- » ONYX-BE182DT-F1-1010  
18.5" Infotainment Terminal. Intel Quad-Core J1900. 2G RAM. Fanless. Resistive Touch. Reading Light. Webcam. Smart Card Reader. RFID
- » ONYX- BE182DT-A2-1010  
18.5" Infotainment Terminal. Intel Quad-Core J1900. 2G RAM. Fanless. PCT Touch. Reading Light. Webcam. Smart Card Reader
- » ONYX-BE182DT-F2-1010  
18.5" Infotainment Terminal. Intel Quad-Core J1900. 2G RAM. Fanless. PCT Touch. Reading Light. Webcam. Smart Card Reader. RFID

## Optional Accessories

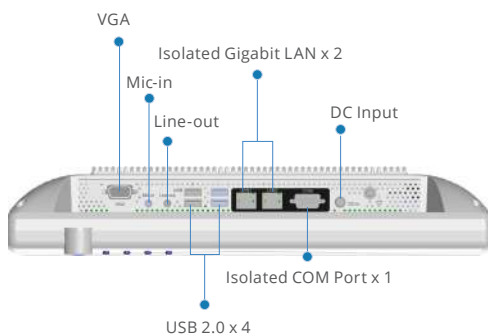
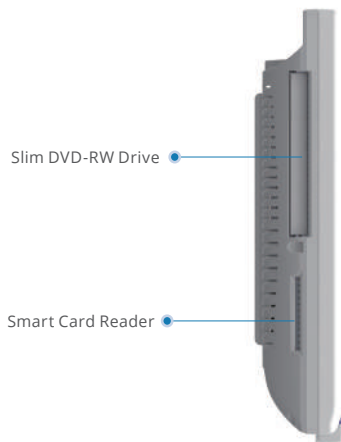
- » 1255300657  
Medical Power Adapter, 60W, 24V
- » OPM-T018-A1  
Handset and Wire Remote Control
- » OPM-T018-A2  
Handset and Wire Remote Control + 2D Barcode Scanner
- » OPM-C16W-A5  
WLAN kit. 802.11 a/b/g/n + Bluetooth 4.0LE/ 3.0HS/ 2.1EDR for BE182
- » OPM-S02C-A1  
MSR for BE381



Slim Medical All in One PC

# ONYX-1731

17" Fanless Slim Medical All in One PC



## Features

- Intel Celeron J1900 2.42GHz Quad Core Processor
- 17" High Brightness 350 nits SXGA LCD
- Supports DDR3L SODIMM up to 8GB
- 5-wire Resistive Touch Screen
- COM/LAN Medical Isolation
- Trusted Platform Module / Smart Card Reader(optional) / RFID Reader(optional)
- 802.11ac/a/b/g/n Wireless LAN(optional)
- +12V to +24V wide range DC input

## Specifications

### Main Specifications

Processor	Intel® Celeron J1900 Quad Core 2.42GHz
System Memory	Supports DDR3L SODIMM up to 8GB
OS Support	Windows® 7, Windows® 10, Linux®
Expansion Interface	Mini Card x 1
Storage Disk Drive	mSATA SSD x 1, Slim DVD-RW Driver x 1 (optional)
Security	Trusted Platform Module, Smart Card Reader(optional), RFID Reader(optional)
Function Key	Speaker Volume Up/Down, LCD Brightness Up/Down
Wireless Communication	802.11ac/a/b/g/n(optional), Bluetooth 4.0(optional)
Speaker	3W x 2
Power Requirement	DC 12~24V

### Display

Size	17" LCD
Resolution	1280 x 1024
Luminance	350 nits
View Angle	170°(H)/160°(V)
Contrast Ratio	1000:1
Back Light Life Time	> 30,000 hours
Touch Screen	5-wire Resistive

### I/O

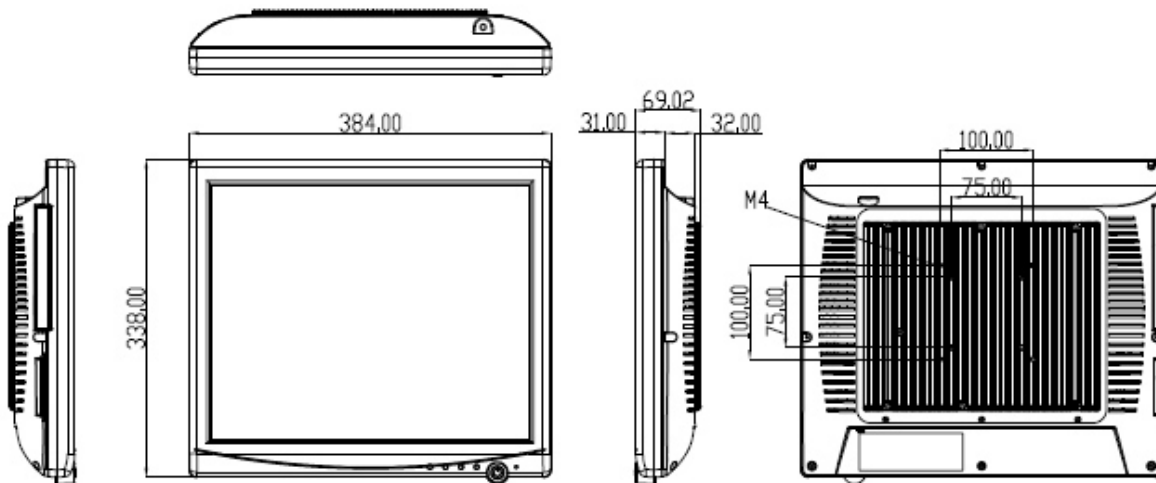
USB	USB 2.0 x 4
Serial Port	Isolated RS-232 x 1
Ethernet	Isolated Gigabit LAN x 2
Video Out	VGA x 1
Audio	Mic-in, Line-out

### Mechanical and Environmental

Power Consumption	Full loading: 21 Watts
Operating Temperature	0°C ~ 40°C(32°F ~ 104°F)
Storage Temperature	-20°C ~ 60°C(-4°F ~ 140°F)
Mounting	VESA 75/100 mm
Degree of Protection	IP65 in the front, IPX1
Dimension	384 x 338 x 69 mm
Package Size	630 x 250 x 640 mm
Gross Weight	9kg (19.84 lb)
Net Weight	5.6kg (12.32lb)
Certifications	CE: EN 60601-1-2:2015(V4.0), EN 60601-1:2006/A1:2013(V3.1) FCC: Part 18 Class B UL: ANSI/AAMI ES60601-1:2012 (V3.1) cUL: CAN/CSA-C22.2 No. 60601-1:2014 (V3.1)

## 17" Fanless Slim Medical All in One PC

## Dimension / Unit: mm



## Ordering Information

- » ONYX-1731DTT-A1-1010  
Slim Medical Panel PC, 17" LCD, Intel Celeron J1900, 2GB RAM, DC 12~24V, Resistive Touch
- » ONYX-1731DTT-A2-1010  
Slim Medical Panel PC, 17" LCD, Intel Celeron J1900, 2GB RAM, DC 12~24V, Resistive Touch, RFID Reader

## Optional Accessories

- » 1255300657  
Medical Power Adapter, 60W, 24V
- » OPM-T008-A1  
Smart Card Reader Kit
- » OPM-T007-A4  
Slim Slot-in DVD-RW Drive
- » OPM-C16W-A0  
WLAN Kit, IEEE 802.11a/b/g/n + Bluetooth 4.0
- » 968C128G45  
128G mSATA SSD

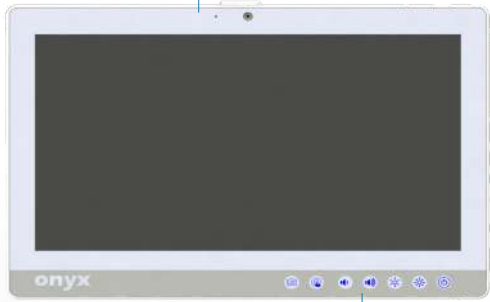
Slim Medical All in One PC

# ONYX-1531

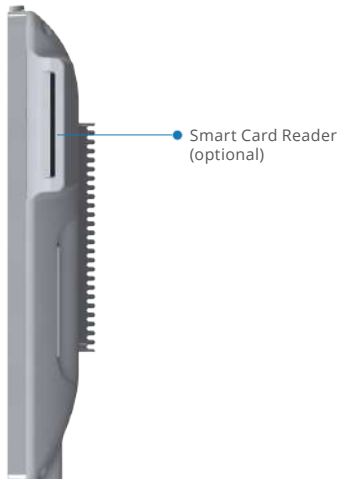
15.6" Fanless Slim Medical All in One PC



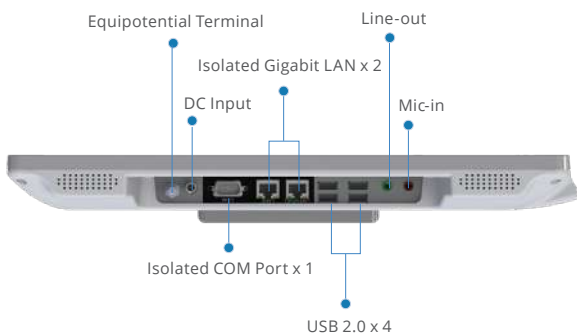
Webcam w/ Mic (optional)



Function Keys



Smart Card Reader (optional)



## Features

- Intel® Celeron J1900 2.42GHz Quad Core Processor
- 15.6" High Brightness 300-nit Full HD LCD
- Supports DDR3L SODIMM up to 8GB
- 5-wire Resistive Touch Screen / Capacitive Multi-Touch Screen
- Easy Cleaning Flat Screen
- 7 Programmable Smart Function Keys
- COM/LAN Medical Isolation
- 2.0M Pixels Camera with Mic (optional)
- Handset Phone (optional)
- Trusted Platform Module / Smart Card Reader(optional) / MSR(optional) / RFID Reader(optional)
- +12V to +24V wide range DC input / Power over Ethernet(optional)

## Specifications

### Main Specifications

Processor	Intel® Celeron J1900 Quad Core 2.42GHz
System Memory	Supports DDR3L SODIMM up to 8GB
Expansion Interface	Mini Card x 1
Storage Disk Drive	2.5" SATA Hard Disk Drive/SSD x 1, mSATA SSD x 1
Security	Trusted Platform Module, Smart Card Reader (optional), MSR (optional), RFID (optional)
Wireless Communication	802.11a/b/g/n(optional), Bluetooth 4.0 (optional)
Speaker	3W x 2
Function Key	Speaker Volume Up/Down, LCD Brightness Up/Down
Power Requirement	DC 12~24V / Power over Ethernet (optional)
OS Support	Windows 7, Windows10, Linux

### Display

Size / Type	15.6" LCD
Max. Resolution	1920 x 1080
Luminance(cd/m2)(TYP)	300 nits
Max. Colors	16.7 M
Viewing Angle	160°(H)/140°(V)
Contrast Ratio	700:1
Back Light Life Time	> 15,000 hours
Touch Screen	5-Wire Resistive / Capacitive Multi-Touch

### I/O

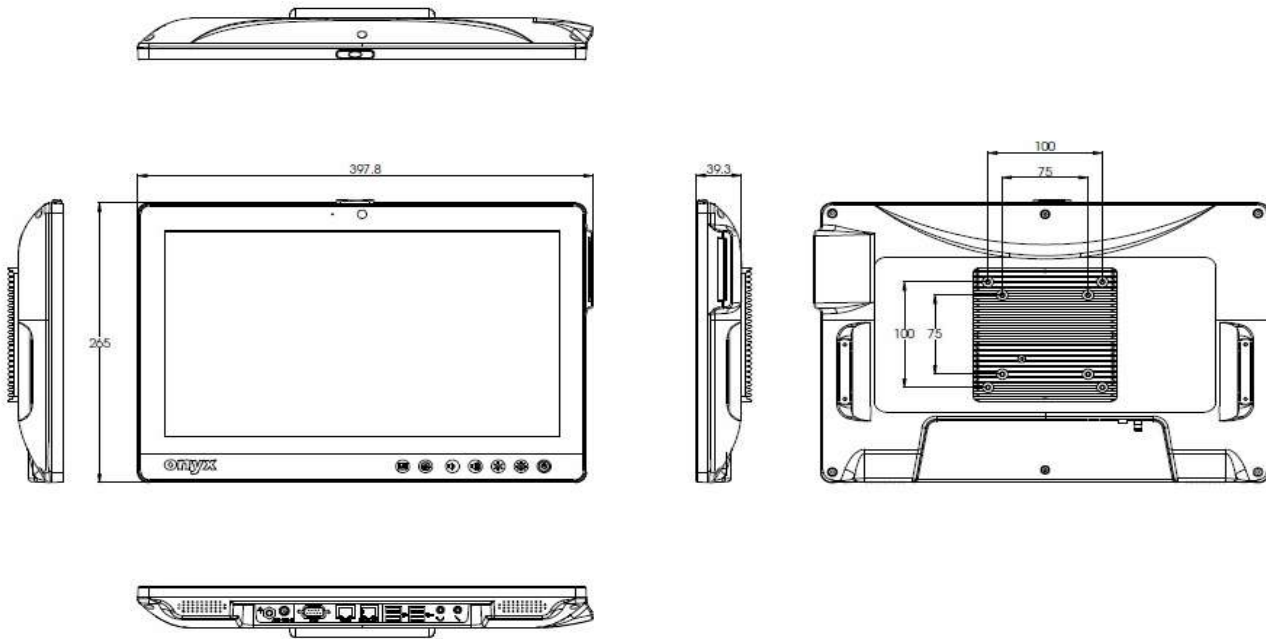
USB	USB 2.0 x 4
Serial Port	Isolated RS-232 x 1
Ethernet	Isolated Gigabit LAN x 2
Audio	Mic-in, Line-out

### Mechanical and Environmental

Power Consumption	Full loading: 19 Watts
Operating Temperature	0°C ~ 40°C(32°F ~ 104°F)
Storage Temperature	-20°C ~ 60°C(-4°F ~ 140°F)
Mounting	VESA 75/100 mm
Degree of Protection	IP65 in the front, IPX1
Dimension	398 x 265 x 39mm
Package Size	721 x 224 x 464mm
Gross Weight	6.5 kg (14.33lb)
Net Weight	2.8 kg (6.2lb)
Certifications	CE: EN 60601-1-2:2015(V4.0), EN 60601-1:2006/A1:2013(V3.1) FCC: Part 18 Class B UL: ANSI/AAMI ES60601-1:2012 (V3.1) cUL: CAN/CSA-C22.2 No. 60601-1:2014 (V3.1)

## 15.6" Fanless Slim Medical All in One PC

## Dimension / Unit: mm



## Ordering Information

- » ONYX-1531ET-A1-1010  
Slim Medical Panel PC, 15.6" LCD, Intel Celeron J1900, 2GB RAM, DC 12-24V, Resistive Touch
- » ONYX-1531ST-A1-1010  
Slim Medical Panel PC, 15.6" LCD, Intel Celeron J1900, 2GB RAM, DC 12-24V, Capacitive Touch

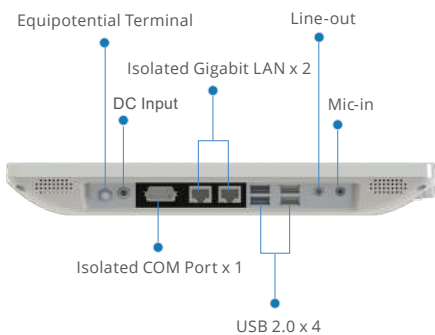
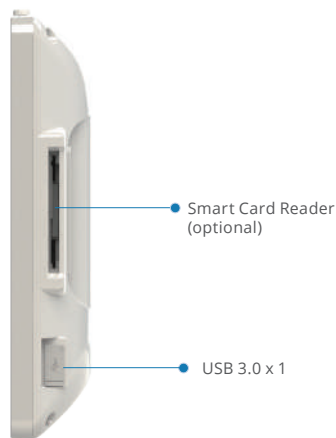
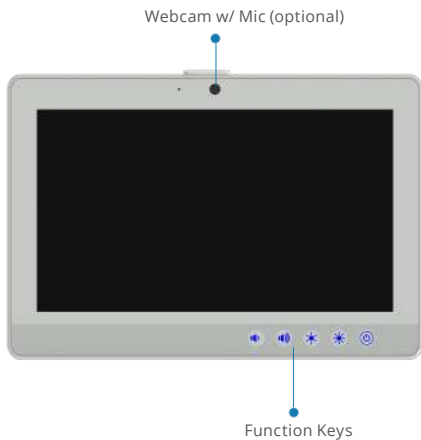
## Optional Accessories

- » 1757306039  
Medical Power Adapter, 60W, 12V
- » OPM-T008-A1  
Smart Card Reader Kit
- » OPM-S02C-A1  
Magnetic Stripe Reader Kit
- » OPM-T011-A1  
2M Pixels Camera with Mic Kit
- » OPM-T018-A5  
Handset Kit
- » OPM-S04R-A1  
Smart Card+ RFID Reader Kit
- » OPM-T018-A6  
Handset w/Dual-Keypads, Camera
- » OPM-C16W-A5  
WLAN Kit, IEEE 802.11a/b/g/n + Bluetooth 4.0
- » OPM-P30D-A10  
Power over Ethernet Kit

Slim Medical All in One PC

# ONYX-1222

11.6" Fanless Slim Medical All in One PC



## Features

- Intel® Celeron J1900 2.42GHz Quad Core Processor
- 11.6" 250-nit WXGA /400-nit FHD LCD
- Supports DDR3 SODIMM up to 8GB
- 5-wire Resistive Touch Screen / Capacitive Multi-Touch Screen
- Easy Cleaning Flat Screen
- 5 Programmable Smart Function Keys
- COM/LAN Medical Isolation
- High Speed USB 3.0 Port
- 2.0M Pixels Camera with Mic (optional)
- Handset Phone (optional)
- Trusted Platform Module / Smart Card Reader(optional) / MSR(optional) / RFID Reader (optional)
- +12V to +24V wide range DC input / Power over Ethernet(optional)

## Specifications

### Main Specifications

Processor	Intel® Celeron J1900 Quad Core 2.42GHz
System Memory	Supports DDR3 SODIMM up to 8GB
Expansion Interface	Mini Card x 1
Storage Disk Drive	2.5" SATA Hard Disk Drive/SSD x 1, mSATA SSD x 1
Security	Trusted Platform Module, Smart Card Reader (optional), MSR (optional), RFID Reader (optional)
Wireless Communication	802.11a/b/g/n(optional), Bluetooth 4.0 (optional)
Speaker	2W x 2
Function Key	Speaker Volume Up/Down, LCD Brightness Up/Down
Power Requirement	DC 12~24V / Power over Ethernet(optional)
OS Support	Windows 7, Window 10, Linux

### Display

Size / Type	11.6" LCD
Max. Resolution	1366 x 768 / 1920 x 1080
Luminance(cd/m2)(TYP)	250 nits / 400 nits
Max. Colors	16.7 M
Viewing Angle	170°(H)/170°(V) / 178°(H) / 178°(V)
Contrast Ratio	800:1
Back Light Life Time	> 15,000 hours
Touch Screen	5-Wire Resistive / Capacitive Multi-Touch

### I/O

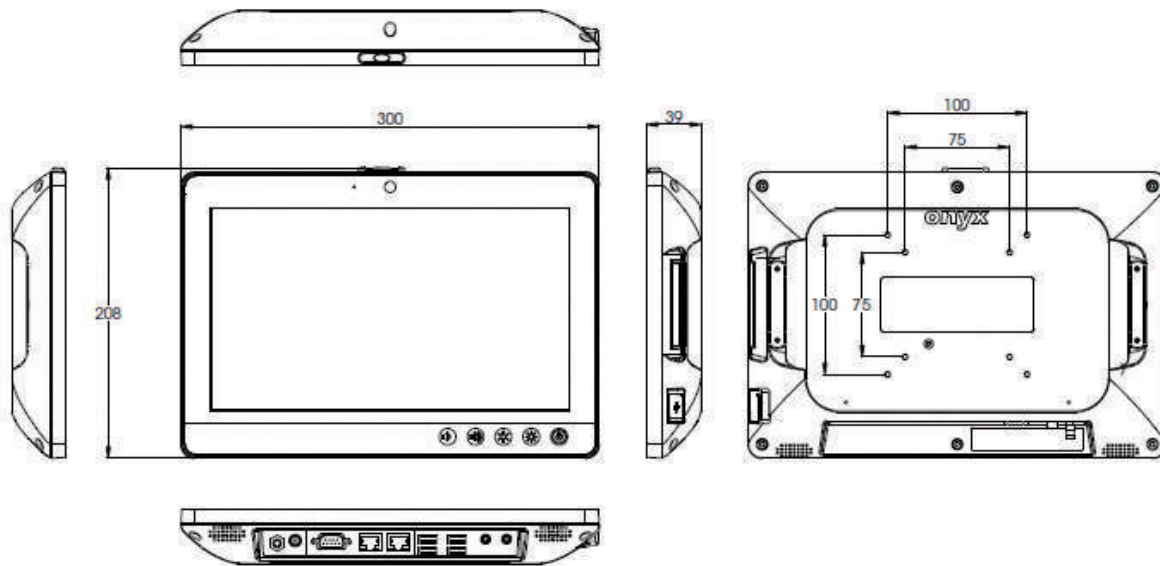
USB	USB 2.0 x 4, USB 3.0 x 1 (in side I/O)
Serial Port	Isolated RS-232 x 1
Ethernet	Isolated Gigabit LAN x 2
Audio	Mic-in, Line-out

### Mechanical and Environmental

Power Consumption	Full loading: 22 Watts
Operating Temperature	0°C ~ 40°C(32°F ~ 104°F)
Storage Temperature	-20°C ~ 60°C(-4°F ~ 140°F)
Mounting	VESA 75/100 mm
Degree of Protection	IP65 in the front, IPX1
Dimension	300 x 208 x 39 mm
Package Size	540 x 230 x 370 mm
Gross Weight	4kg (8.82lb)
Net Weight	1.5kg (3.3lb)
Certifications	CE: EN 60601-1-2:2015(V4.0), EN 60601-1:2006/A1:2013(V3.1) FCC: Part 18 Class B UL: ANSI/AAMI ES60601-1:2012 (V3.1) cUL: CAN/CSA-C22.2 No. 60601-1:2014 (V3.1)

## 11.6" Fanless Slim Medical All in One PC

## Dimension / Unit: mm



## Ordering Information

- » ONYX-1222ST-A1-1110  
Slim Medical Panel PC, 11.6" WXGA LCD, Intel Celeron J1900, 2GB RAM, DC 12~24V, Capacitive Touch
- » ONYX-1222ET-A1-1110  
Slim Medical Panel PC, 11.6" WXGA LCD, Intel Celeron J1900, 2GB RAM, DC 12~24V, Resistive Touch
- » ONYX-1222ST-A3-1110  
Slim Medical Panel PC, 11.6" FHD LCD, Intel Celeron J1900, 2GB RAM, DC 12~24V, Capacitive Touch
- » ONYX-1222ET-A3-1110  
Slim Medical Panel PC, 11.6" FHD LCD, Intel Celeron J1900, 2GB RAM, DC 12~24V, Resistive Touch

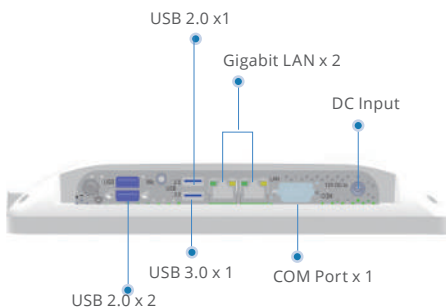
## Optional Accessories

- » 1757306039  
Medical Power Adapter, 60W, 12V
- » OPM-T010-A1  
Smart Card Reader Kit
- » OPM-S02C-A2  
Magnetic Stripe Reader Kit
- » OPM-T011-A1  
2M Pixels Camera with Mic Kit
- » OPM-T018-A3  
Handset Kit
- » OPM-T018-A4  
Handset w/Dual-Keypads, Camera
- » OPM-C16W-A4  
WLAN Kit, IEEE 802.11a/b/g/n + Bluetooth 4.0LE/ 3.0HS / 2.1 EDR
- » OPM-P30D-A10  
Power over Ethernet kit

Slim Medical All in One PC

# ONYX-1022

10.1" Fanless Slim Medical All in One PC



## Features

- Intel® Celeron J1900 2.42GHz Quad Core Processor
- 10.1" 1280x800 LCD
- Supports DDR3L SODIMM up to 8GB
- Capacitive Multi-Touch Screen/ 5-Wire Resistive Touch Screen
- Easy Cleaning Flat Screen
- Two Gigabit Ethernet
- One High Speed USB 3.0 Port
- Trusted Platform Module / Smart Card Reader(optional) / RFID Reader(optional)
- 2.0M Pixels Camera with Mic(optional)
- +12V DC input

## Specifications

### Main Specifications

Processor	Intel® Celeron J1900 Quad Core 2.42GHz
System Memory	Supports DDR3L SODIMM up to 8GB
Expansion Interface	Mini Card x 1
Storage Disk Drive	Half Size mSATA SSD x 1
Security	Trusted Platform Module, Smart Card Reader(optional), RFID Reader(optional)
Wireless Communication	802.11ac/a/b/g/n(optional), Bluetooth 4.0(optional)
Speaker	2W x 2
Function Key	Speaker Volume Up/Down, LCD Brightness Up/Down
Power Requirement	DC 12V
OS Support	Windows 7, Windows 10, Linux

### Display

Size / Type	10.1" LCD
Max. Resolution	1280 x 800
Luminance(cd/m2)(TYP)	300 nits
Viewing Angle	170°(H)/170°(V)
Contrast Ratio	1300:1
Back Light Life Time	25,000 hours
Touch Screen	Capacitive Multi-Touch/ 5-Wire Resistive Touch

### I/O

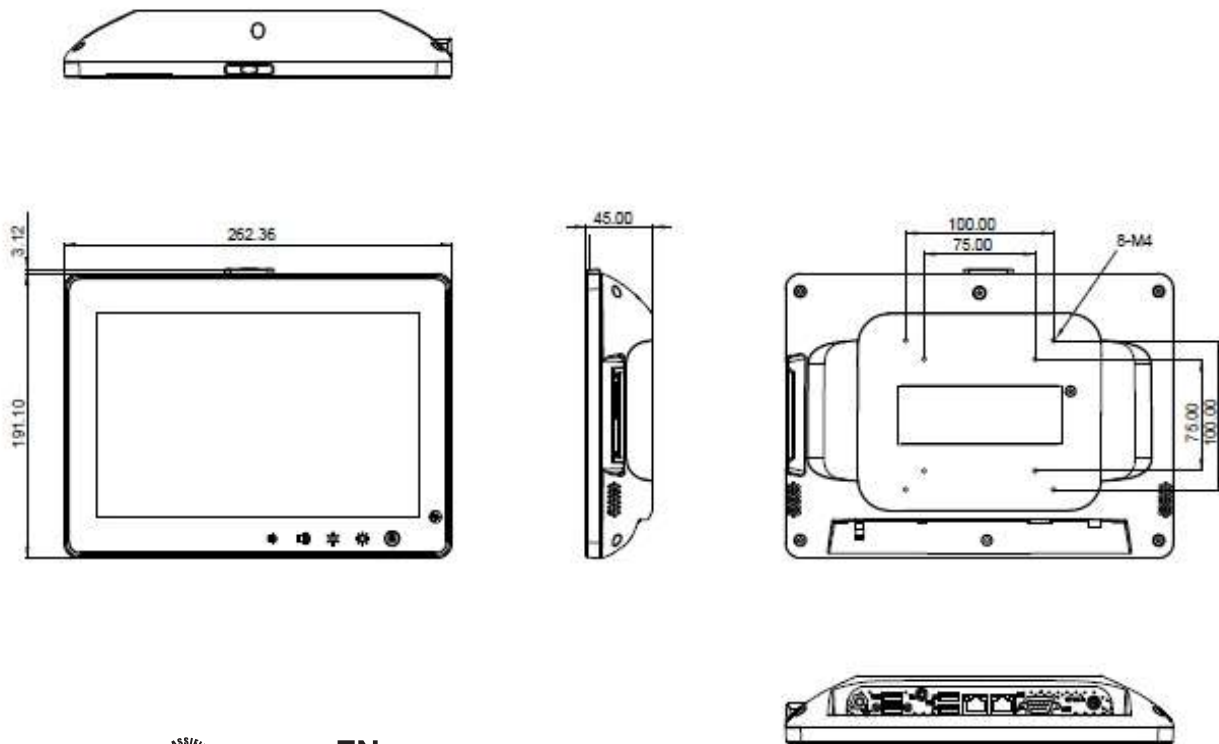
USB	USB 3.0 x 1, USB 2.0 x 3
Serial Port	RS-232 x 1
Ethernet	Gigabit LAN x 2

### Mechanical and Environmental

Power Consumption	Full loading: 20 Watts
Operating Temperature	0°C ~ 40°C(32°F ~ 104°F)
Storage Temperature	-20°C ~ 60°C(-4°F ~ 140°F)
Mounting	VESA 75/100 mm
Degree of Protection	IP65 in the front, IPX1
Dimension	262 x 191 x 45 mm
Package Size	402 x 190 x 335 mm
Gross Weight	3.7kg (8.2lb)
Net Weight	1.2kg (2.6lb)
Certifications	CE: EN 60601-1-2:2015(V4.0), EN 60601-1:2006/A1:2013(V3.1) FCC: Part 18 Class B UL: ANSI/AAMI ES60601-1:2012 (V3.1) cUL: CAN/CSA-C22.2 No. 60601-1:2014 (V3.1)

## 10.1" Fanless Slim Medical All in One PC

## Dimension / Unit: mm



## Ordering Information

- » ONYX-1022ST-A1-1110  
Slim Medical Panel PC, 10.1" 1280x800 LCD, Intel Celeron J1900, 2GB RAM, DC 12V, Capacitive Touch
- » ONYX-1022ET-A1-1110  
Slim Medical Panel PC, 10.1" 1280x800 LCD, Intel Celeron J1900, 2GB RAM, DC 12V, Resistive Touch

## Optional Accessories

- » 1757306039  
Medical Power Adapter, 60W, 12V
- » OPM-C16W-A8  
WLAN Kit, IEEE 802.11a/b/g/n + Bluetooth 4.0
- » OPM-T010-A2  
Smart Card Reader Kit
- » OPM-T011-A2  
2M Pixels Camera with Mic Kit



# Panel PC Accessory Selection

## OPM-H02S Desktop Stand



### Features

- » Apply to 10"~22" Slim Medical Panel PC, Medical Display.
- » Spinning around high and mighty; able to bear 5kg to 12kg.
- » Providing 2 mounting space in coordination with VESA standard: 75mm x 75mm and 100mm x100mm

### Ordering Information

- » TF-OPM-H02S-A0  
Desktop Stand, Black Color, VESA 75/100, 230mm Height
- » TF-OPM-H02S-A1  
Desktop Stand, Black Color, VESA 75/100, 280mm Height

## OPM-H01S Desktop Stand



### Features

- » Apply to 15" ~ 24" Medical Station, Slim Medical Panel PC, Medical Display.
- » Spinning around high and mighty; able to bear 5 kg to 15kg.
- » Providing 2 mounting space in coordination with VESA standard:75mm x 75mm and 100mm x100mm
- » The angle of view was designed adjustable for clear vision.
- » Flexible angle create brand-new atmosphere of monitors.
- » Up-to-date choice in the multimedia era.
- » Show yourself and break the limit of environment.
- » Regulate as you want to make more space.

### Ordering Information

- » TF-OPM-H01S  
Desktop Stand, Black Color, VESA 75/100, 265mm to 330mm Height

## Panel PC Accessory Selection

### OPM-H10A Gas Spring Arm



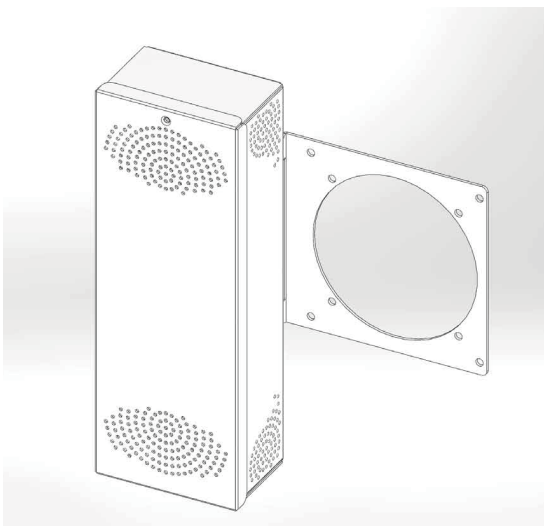
#### Features

- » Clamp type can fit all kind of mobile car.
- » Weight capacity : 2~8KG (4.4~17.6lb)
- » Clockwise / counterclockwise rotation

#### Ordering Information

- » OPM-H10A-00  
VESA 75/100 Clamp type spring arm (Silver)

### OPM-H12A VESA Mount Power Adapter Holder



#### Features

- » Design for 1255301202 & 1255301204 with 120W
- » Apply to 15" to 24" Medical Station, Slim Medical Panel PC
- » Providing 2 mounting spaces in coordination with VESA standard: 75mm x 75mm and 100mm x 100mm

#### Ordering Information

- » OPM-H12A-A1  
VESA mount power adapter holder

# Powerful Medical All in One PC

Medical AIO is a highly cost effective solution. Intel Core i7 processor, up to 64GB DDR4 and capacitive multi-touch screen enhance the efficiency of hospital applications. Fanless design keeps environment quiet and reduces the effort in cleaning. With one PCI Express[x1] or [x4] slot, any standard PCI Express[x1] or [x4] card such as isolated RS-232 card and video capture card can be installed to enhance capability.



## Key Features:

- » 19"/22"/24"LCD with resistive touch or capacitive multi-touch
- » Trusted Platform Module , RFID Reader and Smart Card Reader for Security Enhancement
- » One PCI Express Slot
- » +12V DC input
- » Fanless Design for Quiet and Easy Maintenance
- » Reading Light



## ✚ Intel® Core Platform for Critical Applications

Medical AIO offer ultra high performance Intel® Quad Core processor.



## ✚ Super 3.0 for USB, SATA and PCI-e

Still looking for a faster solution to upload or download medical records?! Zeus comes with latest high speed I/O design (USB3.0, SATA3.0, PCI-E3.0). Super 3.0 gives ten times data rate than before.



## ✚ Triple Isolation Protection to Patient

Medical isolation rating is 4kV rms (IEC 60601-1), which is crucial to protect patients, operators and medical equipment from harmful surges or spikes in the electrical signal. Medical AIO offers optional COM port, USB port isolation. We set the highest standard for patient and medical uses.



## ✚ Quiet, Clean & Easy to Maintain

Slim Medical Panel PCs utilize a large fanless heatsink on the back cover to efficiently dissipate heat generated from the processor and chipset. The Fanless cooling design keeps the environment quiet, clean and lowers maintenance efforts.



## ✚ Dual Antennas with Best WLAN performance

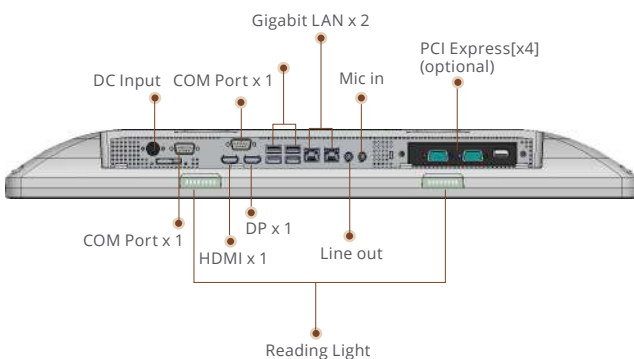
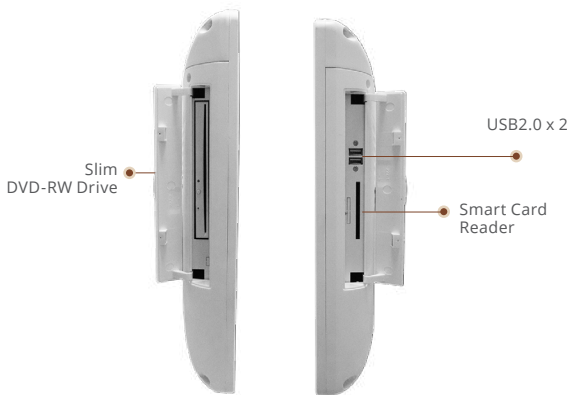
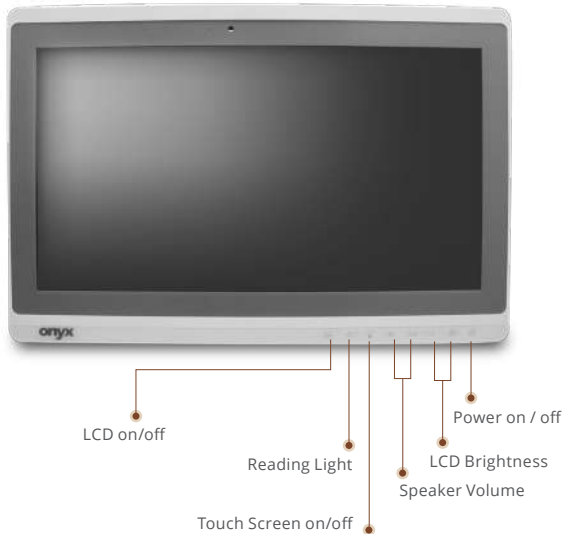
With two antennas built into the Slim Medical Panel PCs, massive medical records and PACS images can be transferred through IEEE 802.11b/g/n wireless LAN up to 150Mbps/sec.



Powerful Medical All in One PC

# MATE-2405

24" Fanless 9th Generation Core i7 Powerful Medical All in One PC



## Features

- Intel® 9th Generation Core™ i7/ i5 / i3 Processor
- Intel® H310 Chipset
- Supports Dual Channel DDR4 2666 SODIMM up to 64GB
- 24" Full HD High Contrast MVA LCD
- Capacitive Multi-Touch Screen
- Two Gigabit Ethernet
- High Speed USB 3.0 Ports
- RS-232 x 2
- PCI-Express x [4] x 1 (optional)
- 25Wh Backup Battery (optional)

## Specifications

### Main Specifications

Processor	Intel® 9th Generation Core i7-9700TE 8 Cores 3.8GHz Intel® 9th Generation Core i5-9500TE 6 Cores 3.6GHz
System Memory	Supports Dual Channel DDR4 2666 SODIMM up to 64GB
Chipset	Intel® H310
OS Support	Windows® 10, Linux®
Storage Disk Drive	2.5" SATA Hard Disk Drive/SSD x 1 M.2 2242 SSD x 1 Slim DVD-RW Drive x 1 (optional)
Security	Trusted Platform Module 2.0 , RFID Reader (optional) Smart Card Reader x 1 (optional)
Wireless Communication	802.11 ac/a/b/g/n(optional), Bluetooth 4.1 / 5 (optional)
Speaker	5W x 2
Function Key	Speaker Volume Up/Down, LCD Brightness Up/Down LCD On/Off, Touch Screen On/Off, Reading Light On/Off
Power Requirement	DC 12V / DC 24V when backup battery is installed

### Display

Size	24" LCD
Resolution	1920 x 1080
Luminance	250 nits
View Angle	178°(H)/178°(V)
Contrast Ratio	3000:1
Back Light Life Time	30,000 Hours
Touch Screen	5-Wire Resistive / Capacitive Multi-Touch

### I/O

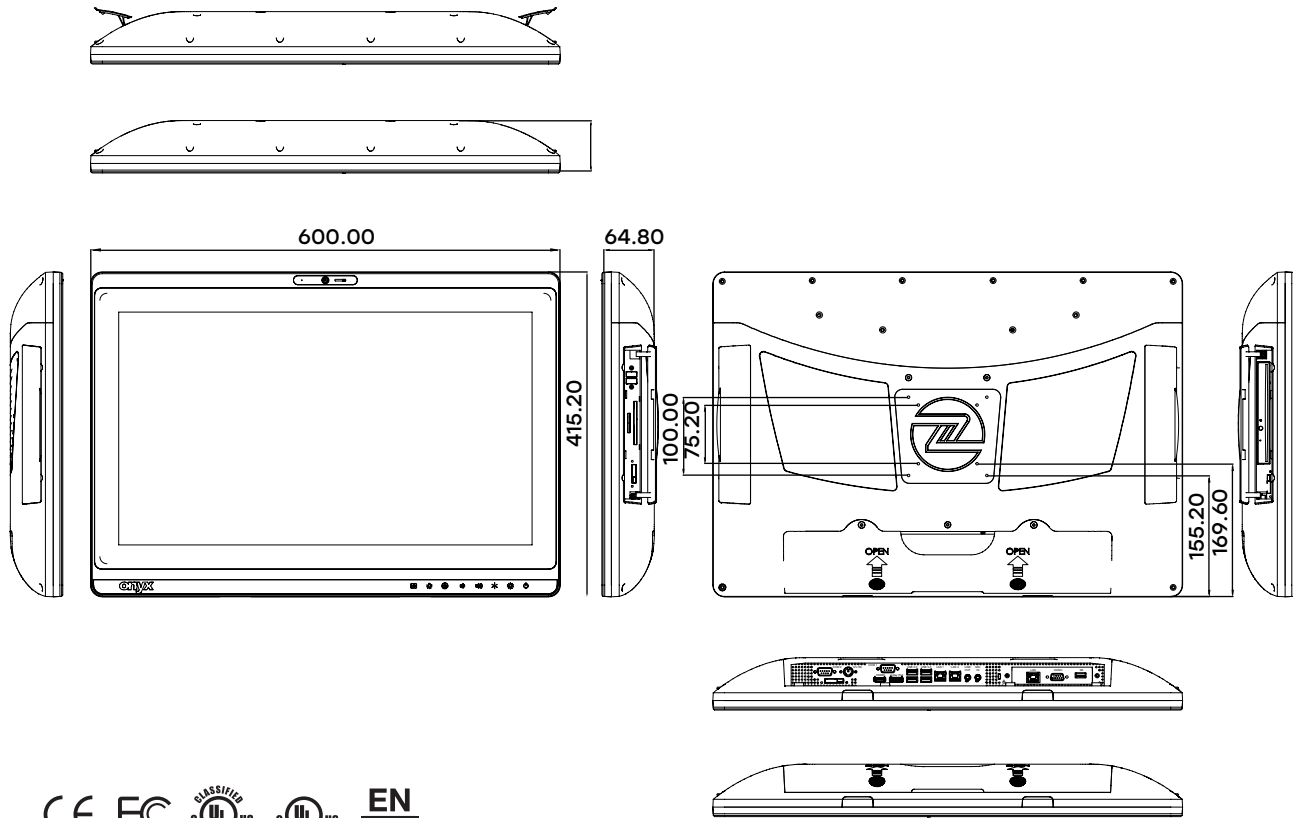
USB	USB 3.0 x 4, USB 2.0 x 2
Serial Port	RS-232 x 2
Ethernet	1.5KV Isolated Gigabit LAN x 2
Video Out	Display Port 1.2 x1, HDMI 1.4b x 1 (Supports resolution up to 3840 x 2160)
Audio	Mic-in, Line-out

### Mechanical and Environmental

Operating Temperature	0°C ~ 35°C(32°F ~ 95°F)
Storage Temperature	-20°C ~ 60°C(-4°F ~ 140°F)
Mounting VESA	75/100 mm
Degree of Protection	IP65 in the front ; IP54 in the back
Dimension	600 x 415 x 65mm
Package Size	790 x 220 x 550mm
Gross Weight	14 kg (30.86 lb)
Net Weight	9.2 kg(20.28 lb)
Certifications	CE: EN 60601-1-2:2015(V4.0), EN 60601-1:2006/A1:2013(V3.1) FCC: Part 18 Class B UL: ANSI/AAMI ES60601-1:2012 (V3.1) cUL: CAN/CSA-C22.2 No. 60601-1:2014 (V3.1)

## 24" Fanless 9th Generation Core i7 Powerful Medical All in One PC

### Dimension / Unit: mm



### Ordering Information

- » MATE-2405-P2-A1-0010  
Medical Panel PC, 24" LCD, i7-9700TE, DC 12V, Capacitive Touch
- » MATE-2405-P4-A1-0010  
Medical Panel PC, 24" LCD, i5-9500TE, DC 12V, Capacitive Touch

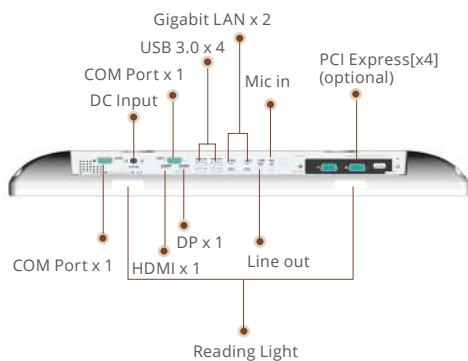
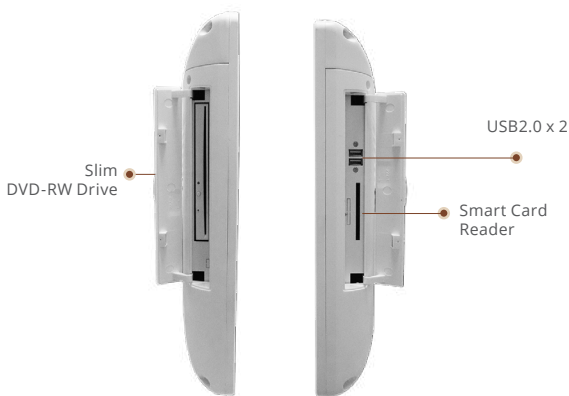
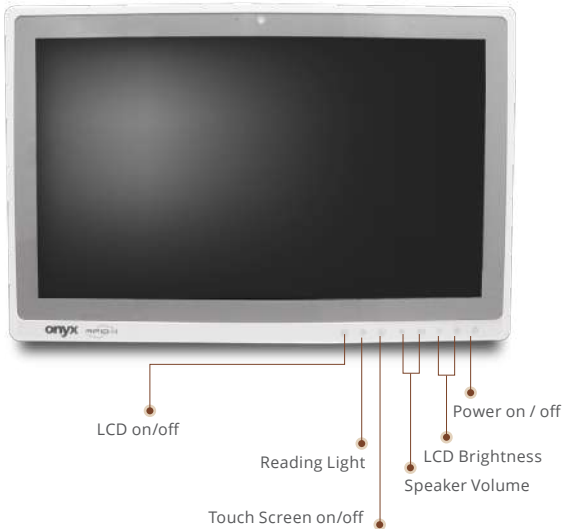
### Optional Accessories

- » 1255301205  
Medical Power Adapter, 120W, 12V
- » OPM-R03X-A1  
PCI Express[x1] Riser Kit
- » OPM-R04X-A1  
PCI Express[x4] Riser Kit
- » OPM-C12W-A6  
WLAN Kit, IEEE 802.11a/b/g/n/ac + Bluetooth 4.1
- » OPM-C15W-A6  
WLAN Kit, IEEE 802.11a/b/g/n/ac + Bluetooth 5
- » OPM-T006-A2  
Smart Card Reader Kit
- » OPM-P09C-A6  
25Wh Backup Battery
- » OPM-T013-A2  
Slim Slot-in DVD-RW Drive
- » OPM-C02C-A1  
Two Isolated RS-232 & One Isolated USB 2.0 PCIe Card
- » OPM-C02C-A2  
Two Isolated RS-232 PCIe Card
- » OPM-C03C-A1  
One Isolated Gigabit LAN & One Isolated RS-232 & One Isolated USB 2.0 PCIe Card
- » OPM-T017-A6  
Hot Swap Rack w/Lock Kit for 2.5" HDD/SSD
- » OPM-S07R-A6  
RFID Reader Kit

Powerful Medical All in One PC

# MATE-2205

22" Fanless 9th Generation Core i7 Powerful Medical All in One PC



## Features

- Intel® 9th Generation Core™ i7/ i5 / i3 Processor
- Intel® H310 Chipset
- Supports Dual Channel DDR4 2666 SODIMM up to 64GB
- 22" Full HD High Contrast MVA LCD
- Capacitive Multi-Touch Screen
- Two Gigabit Ethernet
- High Speed USB 3.0 Ports
- RS-232 x 2
- PCI-Express [x4] x 1 (optional)
- 25Wh Backup Battery (optional)

## Specifications

### Main Specifications

Processor	Intel® 9th Generation Core i7-9700TE 8 Cores 3.8GHz Intel® 9th Generation Core i5-9500TE 6 Cores 3.6GHz
System Memory	Supports Dual Channel DDR4 2666 SODIMM up to 64GB
Chipset	Intel® H310
OS Support	Windows® 10, Linux®
Storage Disk Drive	2.5" SATA Hard Disk Drive/SSD x 1 M.2 2242 SSD x 1 Slim DVD-RW Drive x 1 (optional)
Security	Trusted Platform Module 2.0, RFID Reader (optional) Smart Card Reader x 1 (optional)
Wireless Communication	802.11 ac/a/b/g/n(optional), Bluetooth 4.1 / 5(optional)
Speaker	5W x 2
Function Key	Speaker Volume Up/Down, LCD Brightness Up/Down LCD On/Off, Touch Screen On/Off, Reading Light On/Off
Power Requirement	DC 12V / DC 24V when backup battery is installed

### Display

Size / Type	22" MVA LCD
Max. Resolution	1920 x 1080
Luminance(cd/m2)(TYP)	250 nits
Viewing Angle	178°(H)/178°(V)
Contrast Ratio	3000:1
Back Light Life Time	30,000 Hours
Touch Screen	5-Wire Resistive / Capacitive Multi-Touch

### I/O

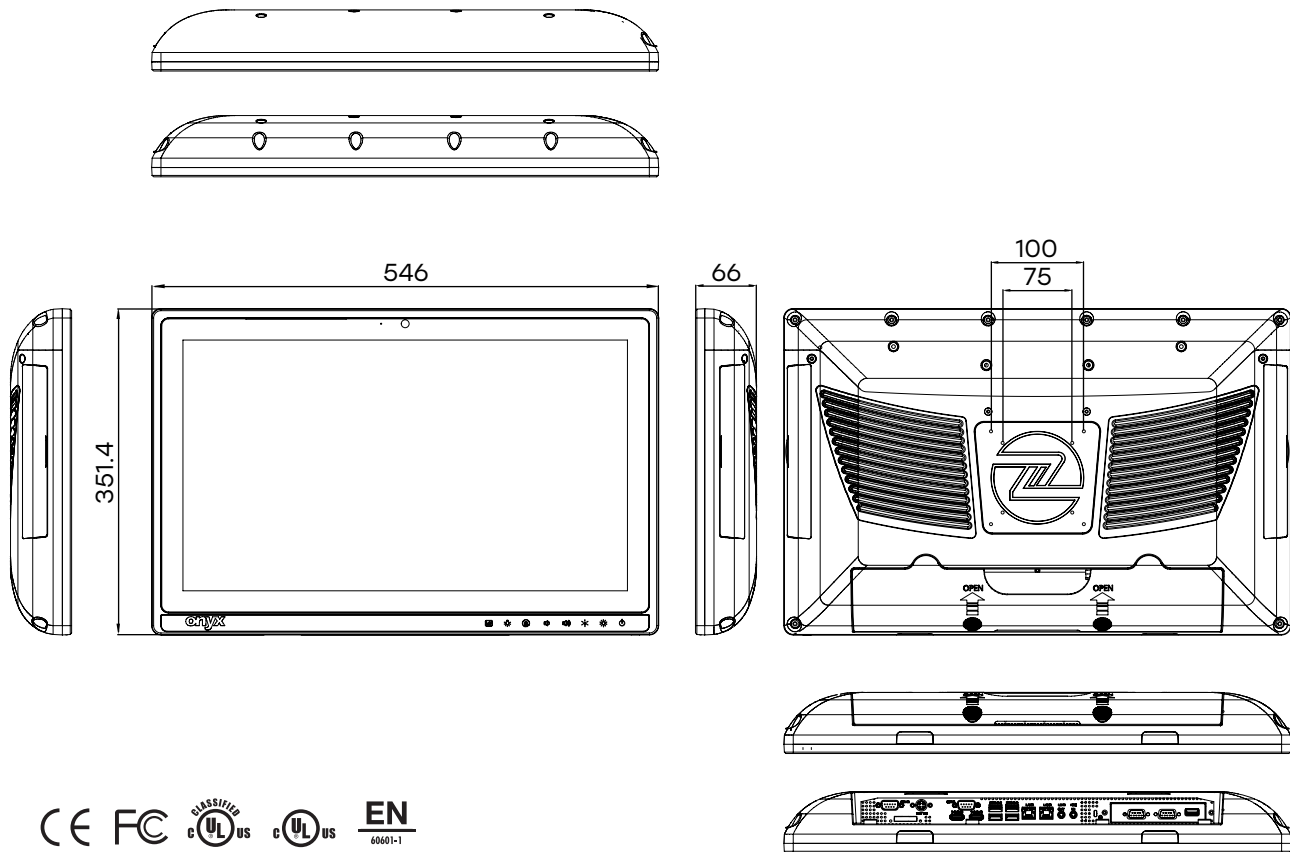
USB	USB 3.0 x 4, USB 2.0 x 2
Serial Port	RS-232 x 2
Ethernet	1.5KV Isolated Gigabit LAN x 2
Video Out	Display Port 1.2 x 1, HDMI 1.4b x 1 (Supports resolution up to 3840 x 2160)
Audio	Mic-in, Line-out

### Mechanical and Environmental

Operating Temperature	0°C ~ 35°C(32°F ~ 95°F)
Storage Temperature	-20°C ~ 60°C(-4°F ~ 140°F)
Mounting VESA	75/100 mm
Degree of Protection	IP65 in the front ; IP54 in the back
Dimension	546 x 352 x 66mm
Package Size	750 x 220 x 490 mm
Gross Weight	12 kg (26.45 lb)
Net Weight	8 kg (17.63 lb)
Certifications	CE: EN 60601-1-2:2015(V4.0), EN 60601-1:2006/A1:2013(V3.1) FCC: Part 18 Class B UL: ANSI/AAMI ES60601-1:2012 (V3.1) cUL: CAN/CSA-C22.2 No. 60601-1:2014 (V3.1)

## 22" Fanless 9th Generation Core i7 Powerful Medical All in One PC

### Dimension / Unit: mm



### Ordering Information

- » MATE-2205-P2-A1-0010  
Medical Panel PC, 22" LCD, i7-9700TE, DC 12V, Capacitive Touch
- » MATE-2205-P4-A1-0010  
Medical Panel PC, 22" LCD, i5-9500TE, DC 12V, Capacitive Touch

### Optional Accessories

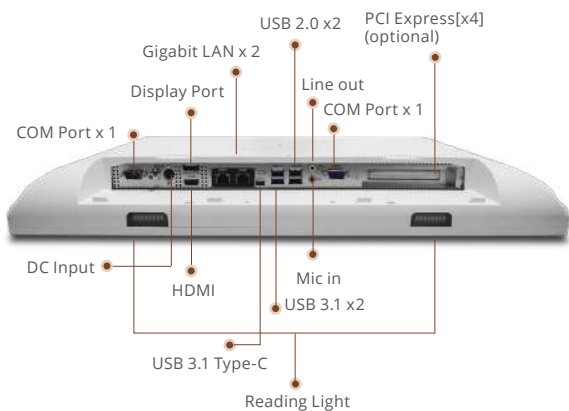
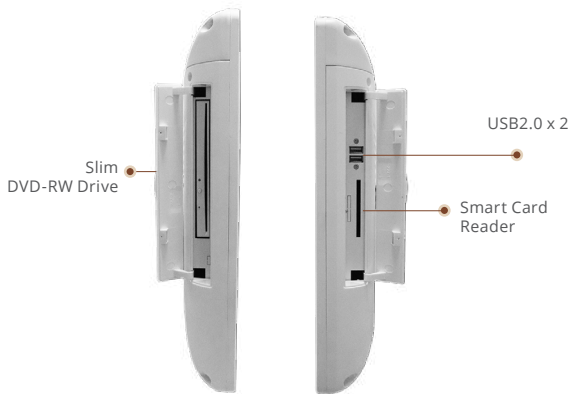
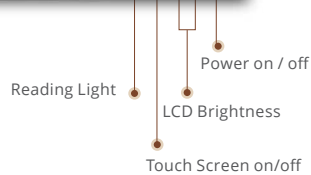
- » 1255301205  
Medical Power Adapter, 120W, 12V
- » OPM-R03X-A1  
PCI Express[x1] Riser Kit
- » OPM-R04X-A1  
PCI Express[x4] Riser Kit
- » OPM-C12W-A6  
WLAN Kit, IEEE 802.11a/b/g/n/ac + Bluetooth 4.1
- » OPM-C15W-A6  
WLAN Kit, IEEE 802.11a/b/g/n/ac + Bluetooth 5
- » OPM-T006-A2  
Smart Card Reader Kit
- » OPM-P09C-A5  
25Wh Backup Battery
- » OPM-C02C-A1  
Two Isolated RS-232 & One Isolated USB 2.0 PCIe Card
- » OPM-C02C-A2  
Two Isolated RS-232 PCIe Card
- » OPM-T013-A1  
Slim Slot-in DVD-RW Drive
- » OPM-C03C-A1  
One Isolated Gigabit LAN & One Isolated RS-232 & One Isolated USB 2.0 PCIe Card
- » OPM-T017-A2  
Hot Swap Rack w/Lock Kit for 2.5" HDD/SSD
- » OPM-S07R-A5  
RFID Reader Kit



Powerful Medical All in One PC

# MATE-2204

22" Fanless AMD Ryzen Embedded V1000 Powerful Medical All in One PC



## Features

- AMD Ryzen Embedded V1605B Quad Core Processor
- AMD Vega GPU with 8 Compute Units
- Supports Dual Channel ECC/Non-ECC DDR4 2400 SODIMM up to 32GB
- 22" FHD High Contrast MVA LCD
- Capacitive Multi-Touch Screen/5-Wire Resistive Touch Screen
- Supports Three Display Outputs: HDMI 2.0 + DisplayPort 1.4 + USB 3.1 Type-C
- 2 x Gigabit Ethernet
- 3 x High Speed USB 3.1 Ports ,
- 2 x RS-232
- 1 x PCI Express[x4] Slot (optional)
- +12V DC Input

## Specifications

### Main Specifications

Processor	AMD Ryzen Embedded V1605B Quad Core Processor
System Memory	Dual Channel ECC/Non-ECC DDR4 2400 SODIMM up to 32GB
Graphics	AMD Vega GPU with 8 Compute Units
OS Support	Windows® 10, Linux®
Storage Disk Drive	2.5" SATA SSD/HDD x1, M.2 2280/2242 SATA SSD x1, Slim DVD-RW Drive x1(optional)
Security	fTPM2.0, RFID Reader(optional), Smart Card Reader(optional)
Wireless Communication	802.11ac/a/b/g/n(optional), Bluetooth 4.1/4.2/5.0(optional)
Speaker	5W x 2
Function Key	LCD Brightness Up/Down, Touch Screen On/Off, Reading Light On/Off
Power Requirement	DC 12V

### Display

Size / Type	22" MVA LCD
Max. Resolution	1920 x 1080
Luminance(cd/m2)(TYP)	250 nits
Viewing Angle	178° (H)/178° (V)
Contrast Ratio	3000:1
Back Light Life Time	30,000 Hours
Touch Screen	5-Wire Resistive / Capacitive Multi-Touch

### I/O

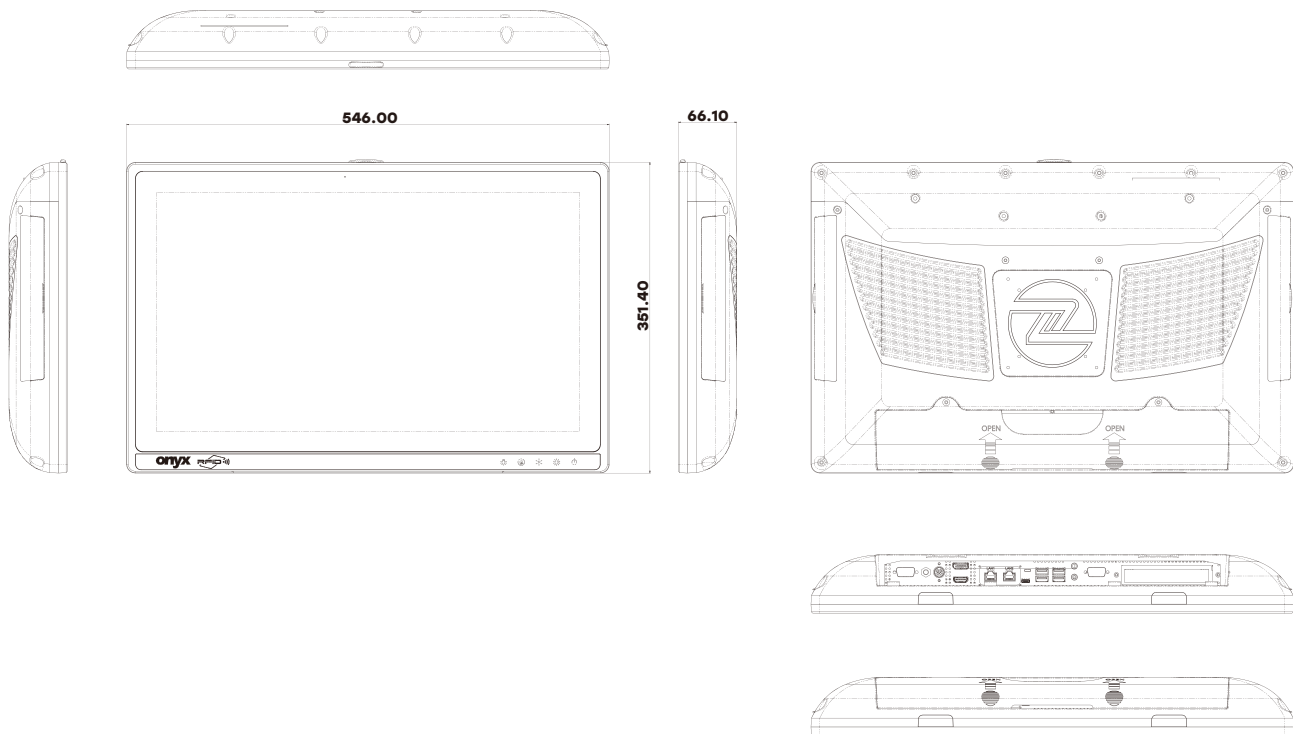
USB	USB 3.1 Type-A x2, USB 3.1 Type-C x1, USB 2.0 x2
Serial Port	RS-232 x2
Ethernet	1.5KV isolated Gigabit LAN x2
Video Out	HDMI 2.0 x1, DisplayPort 1.4 x1, USB 3.1 Type-C x1 (Supports resolution up to 3840x2160)
Audio	Line-out, Mic

### Mechanical and Environmental

Operating Temperature	0°C ~ 35°C(32°F ~ 95°F)
Storage Temperature	-20°C ~ 60°C(-4°F ~ 140°F)
Mounting VESA	75/100 mm
Degree of Protection	IP65 in the front ; IP54 in the back
Dimension	546 x 352 x 66mm
Package Size	750 x 220 x 490 mm
Gross Weight	12 kg (26.45 lb)
Net Weight	8 kg (17.63 lb)
Certifications	CE: EN 60601-1-2:2015(V4.0), EN 60601-1:2006/A1:2013(V3.1) FCC: Part 18 Class B UL: ANSI/AAMI ES60601-1:2012 (V3.1) cUL: CAN/CSA-C22.2 No. 60601-1:2014 (V3.1)

## 22" Fanless AMD Ryzen Embedded V1000 Powerful Medical All in One PC

### Dimension / Unit: mm



### Ordering Information

- » MATE-2204-P1-A1-0010  
Medical Panel PC, 22" LCD, V1605B, DC 12V, Capacitive Touch
- » MATE-2204-R1-A1-0010  
Medical Panel PC, 22" LCD, V1605B, DC 12V, Resistive Touch

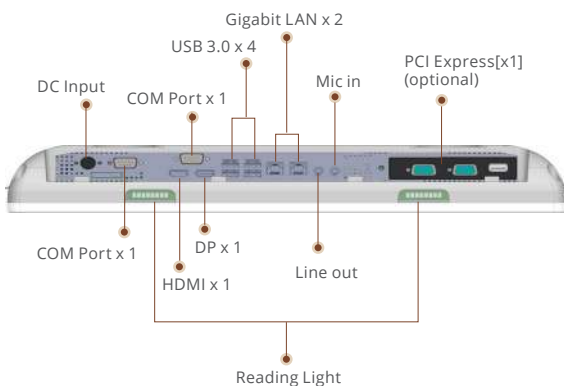
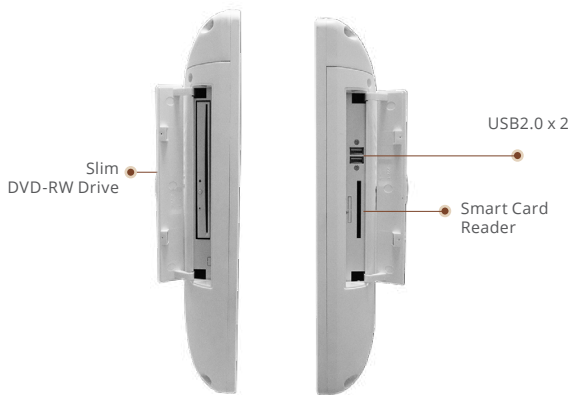
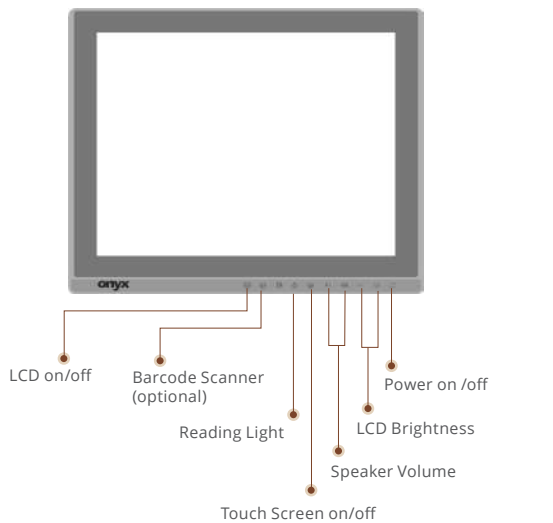
### Optional Accessories

- » 1255301205  
Medical Power Adapter, 120W, 12V
- » OPM-R03X-A1  
PCI Express [x1] Riser Kit
- » OPM-R04X-A1  
PCI Express[x4] Riser Kit
- » OPM-C12W-A6  
WLAN Kit, IEEE 802.11a/b/g/n/ac + Bluetooth 4.1
- » OPM-C15W-A6  
WLAN Kit, IEEE 802.11a/b/g/n/ac + Bluetooth 5
- » OPM-T006-A3  
Smart Card Reader Kit
- » OPM-T013-A1  
Slim Slot-in DVD-RW Drive
- » OPM-C02C-A1  
Two Isolated RS-232 & One Isolated USB 2.0 PCIe Card
- » OPM-C02C-A2  
Two Isolated RS-232 PCIe Card
- » OPM-C03C-A1  
One Isolated Gigabit LAN & One Isolated RS-232 & One Isolated USB 2.0 PCIe Card
- » OPM-T017-A2  
Hot Swap Rack w/Lock Kit for 2.5" HDD/SSD
- » OPM-S07R-A3  
RFID Reader Kit

Powerful Medical All in One PC

# MATE-1903

19" Fanless 6th Generation Core i7 Powerful Medical All in One PC



## Features

- Intel® 6th Generation Core™ i7/ i5 / i3 Processor
- Intel® H110 Chipset
- Supports Dual Channel DDR4 2133 SODIMM up to 32GB
- 19" SXGA LCD with LED Backlight
- 5-Wire Resistive Touch Screen / Capacitive Multi-Touch Screen
- Two Gigabit Ethernet
- High Speed USB 3.0 Ports
- RS-232 x 2
- PCI-Express x [1] x 1 (optional)
- 25Wh Backup Battery (optional)

## Specifications

### Main Specifications

Processor	Intel® 6th Generation Core i7 / i5 / i3 Processor
System Memory	Supports Dual Channel DDR4 2133 SODIMM up to 32GB
Chipset	Intel® H110
OS Support	Windows® 7, Windows® 10, Linux®
Storage Disk Drive	2.5" SATA Hard Disk Drive/SSD x 1 Slim DVD-RW Drive x 1 (optional)
Security	Trusted Platform Module, RFID Reader (optional) Smart Card Reader x 1 (optional)
Wireless Communication	802.11ac/a/b/g/n(optional), Bluetooth 3.0HS & 4.0 (optional)
Speaker	5W x 2
Function Key	Speaker Volume Up/Down, LCD Brightness Up/Down LCD On/Off, Touch Screen On/Off, Reading Light On/Off
Power Requirement	DC 12V / DC 24V when backup battery is installed

### Display

Size / Type	19" TN LCD
Max. Resolution	1280 x 1024
Luminance(cd/m2)(TYP)	250 nits
Viewing Angle	170°(H)/160°(V)
Contrast Ratio	1000:1
Back Light Life Time	30,000 Hours
Touch Screen	5-Wire Resistive / Capacitive Multi-Touch Screen

### I/O

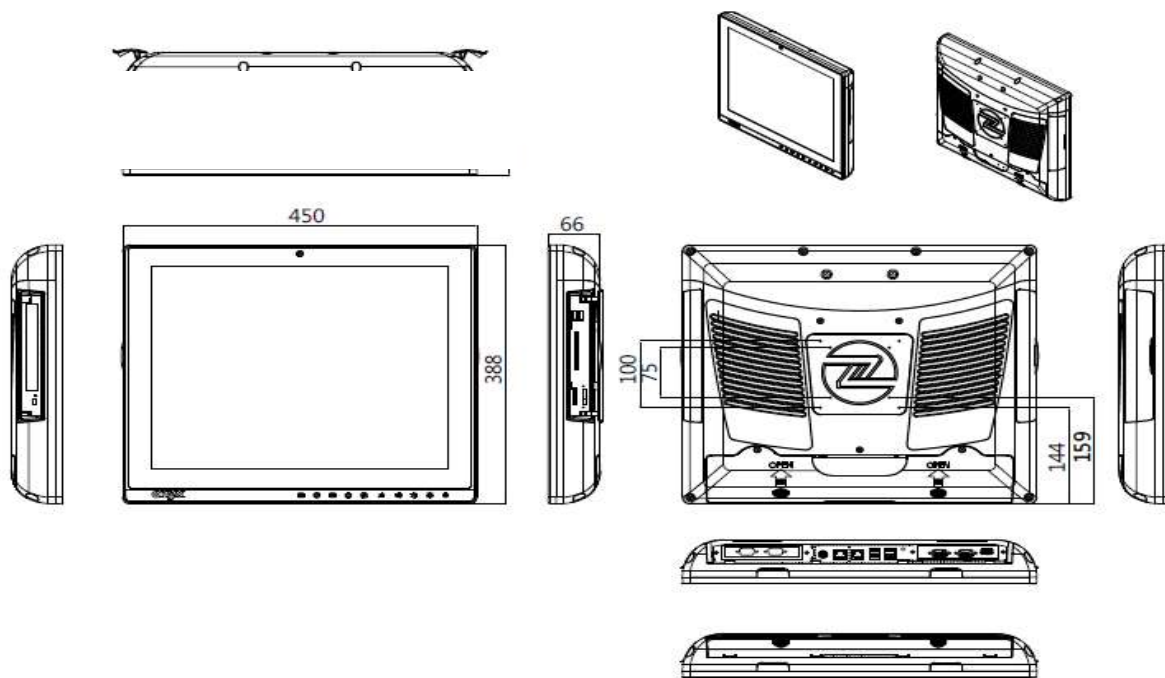
USB	USB 3.0 x 4, USB 2.0 x 2
Serial Port	RS-232 x 2
Ethernet	1.5KV Isolated Gigabit LAN x 2
Video Out	Display Port 1.2 x1, HDMI 1.4 x 1 (Supports resolution up to 3840 x 2160)
Audio	Mic-in, Line-out

### Mechanical and Environmental

Operating Temperature	0°C ~ 35°C(32°F ~ 95°F)
Storage Temperature	-20°C ~ 60°C(-4°F ~ 140°F)
Mounting VESA	75/100 mm
Degree of Protection	IP65 in the front ; IP54 in the back
Dimension	450 x 388 x 66 mm
Package Size	640 x 220 x 520mm
Gross Weight	11 kg (24.25 lb)
Net Weight	7.5kg (16.53lb)
Certifications	CE: EN 60601-1-2:2015(V4.0), EN 60601-1:2006/A1:2013(V3.1) FCC: Part 18 Class B UL: ANSI/AAMI ES60601-1:2012 (V3.1) cUL: CAN/CSA-C22.2 No. 60601-1:2014 (V3.1)

## 19" Fanless 6th Generation Core i7 Powerful Medical All in One PC

## Dimension / Unit: mm



## Ordering Information

- » MATE-1903ST-A1-1010  
Medical Panel PC, 19" LCD, i7, 4GB RAM, DC 12V, Capacitive Touch
- » MATE-1903ST-A2-1010  
Medical Panel PC, 19" LCD, i5, 4GB RAM, DC 12V, Capacitive Touch
- » MATE-1903ST-A3-1010  
Medical Panel PC, 19" LCD, i3, 4GB RAM, DC 12V, Capacitive Touch
- » MATE-1903ET-A1-1010  
Medical Panel PC, 19" LCD, i7, 4GB RAM, DC 12V, Resistive Touch
- » MATE-1903ET-A2-1010  
Medical Panel PC, 19" LCD, i5, 4GB RAM, DC 12V, Resistive Touch
- » MATE-1903ET-A3-1010  
Medical Panel PC, 19" LCD, i3, 4GB RAM, DC 12V, Resistive Touch

## Optional Accessories

- » 1255301204  
Medical Power Adapter, 120W, 12V
- » OPM-T006-A2  
Smart Card Reader Kit
- » OPM-T013-A2  
Slim Slot-in DVD-RW Drive
- » OPM-C12W-A2  
WLAN Kit, IEEE 802.11a/b/g/n + Bluetooth 4.0
- » OPM-R03X-A1  
PCI Express[x1] Riser Kit
- » OPM-S07R-A1  
RFID Reader Kit
- » OPM-C02C-A1  
Two Isolated RS-232 & One Isolated USB 2.0 PCIe Card
- » OPM-C02C-A2  
Two Isolated RS-232 PCIe Card
- » OPM-C03C-A1  
One Isolated Gigabit LAN & One Isolated RS-232 & One Isolated USB 2.0 PCIe Card
- » OPM-T017-A4  
Hot Swap Rack w/Lock Kit for 2.5" HDD/SSD
- » OPM-P09C-A4  
25Wh Backup Battery

# Medica Monitor for Medical Device

## Worldwide Medical Safety Standard Approval

All display meets the strictest medical, safety and EMC emissions standards including CE/FCC Class B Passed 18, EN 60601-1:2006



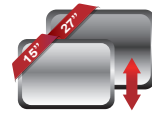
## Key Features

- »» 15"~27" Medical Grade Display
- »» Touch function support
- »» Low power consumption with LED back light panel



### Small to Large LCD Display Choices

The Onyx slim display offers many LCD sizes to fulfill various requirements. 15" (1024 x768), 15.6" (1920x1080), 21.5" (1920x1080), 23.8" (1920x1080), 27" (1920 X 1080)



### Frabjous Touch experience

PCT multi-touch touchscreen solution can also be operated with gloved fingers and bare fingers alike.



### Green and Low power consumption

LED( light emitting diodes) backlighting technology, which offer the advantages over CCFL LCDs of reduced power consumption, better contrast, brightness and color range.



### Long term product life time support

ONYX provides stable and long term support to our customers. Customers could focus on business promotion and product development.



### Flexibility for customization request to medical equipment

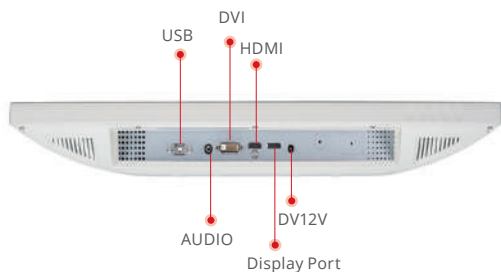
Still couldn't find the perfect match to your request? Don't worry about it. ONYX could base your demand to provide the best solution.



Medica Monitor for Medical Device

# MEDDP-627

27" Slim Medical Display



## Features

- 27" LCD Panel with LED Backlight
- Compact and Terse Design
- DVIx 1, HDMI x 1, DPx1
- Wide view angle 178° (H)/178° (V)
- True Flat Screen with PCT Touch
- Invisible OSD Design
- Low Power Consumption
- DICOM as optional

## Specifications

### Display

Size	27"
Resolution	Full HD 1920 x 1080
Max. Colors	16.7M
Brightness (Typ.)	300 nits
Viewing Angle (CR=10)(Typ.)	178°(H)/178°(V)
Contrast Ratio (Typ.)	3000:1
Touch Screen	Projective capacitive touch screen (optional)

### System

OS Support	Windows® XP, Windows® 7, Windows® 10
DICOM Support	Optional

### I/O

Audio	Audio-in x 1
Serial Port	USB x 1 for touch controller
Signal	DVI x 1, HDMI x 1, DP x 1
Speaker	2.5W speaker x 2 on back side

### Mechanical and Environmental

Power Consumption	Full Loading: 38.5Watts
VESA	100 x 100mm & 100 x 200mm
Power Requirement	DC 12V / 5A power input
Operating Temperature	5°C ~ 40°C (41°F ~ 104°F)
Storage Temperature	-10°C ~ 60°C (14°F ~ 140°F)
Storage Humidity	10%~90%@35°C, non-condensing
IP rating	IP22
Dimension	637.8 x 378.2 x 62.5 mm
Packing Size	730 x 300 x 560 mm
Gross Weight	10.4kg (22.93lb)
Net Weight	6.6kg (14.55lb)
Certifications	CE: EN 60601-1-2:2015(V4.0), EN 60601-1:2006/A1:2013/A12:2014(V3.1) FCC: Part 18 Class B

## Ordering Information

- » MEDDP-627HNN-A1-1010  
27" LCD Monitor. 300 nits, DVI-Dx1, HDMIx1, DPx1, DC 12V Adapter
- » MEDDP-627HPN-A1-1010  
27" LCD Monitor. 300 nits, P-CAP Touch, DVI-Dx1, HDMIx1, DPx1, DC 12V Adapter
- » MEDDP-627TND-A1-1010  
27" LCD Monitor. 300 nits, DVI-Dx1, HDMIx1, DPx1, DC 12V Adapter, DICOM
- » MEDDP-627TPD-A1-1010  
27" LCD Monitor. 300 nits, P-CAP Touch, DVI-Dx1, HDMIx1, DPx1, DC 12V Adapter, DICOM

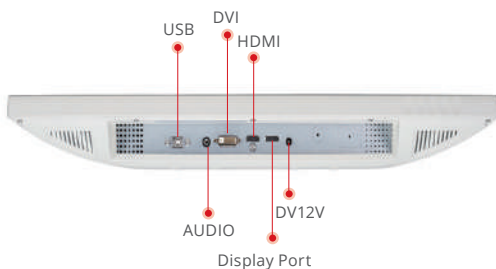
Medica Monitor for Medical Device

# MEDDP-624

24" Slim Medical Display



CE FC



## Features

- 23.8" LCD Panel with LEDBacklight
- Compact and Terse Design
- DVI x 1, HDMI x 1, DPx1
- True Flat Screen with PCT Touch
- Invisible OSD Design
- Low Power Consumption
- Audio -2 x built-in

## Specifications

### Display

Size	23.8"
Resolution	Full HD 1920 x 1080
Max. Colors	16.7M
Brightness (Typ.)	400nits
Viewing Angle (CR=10)(Typ.)	89°(H)/89°(V)
Contrast Ratio (Typ.)	1000:1
Touch Screen	Projective capacitive touch screen (optional)
IP Grade	IP 22

### System

OS Support	Windows® XP, Windows® 7, Windows® 10
DICOM Support	Optional

### I/O

Audio	Audio-in x 2
Serial Port	USB x 1 for touch controller
Signal	DVIx 1, HDMI x 1, DP x1
Speaker	2W speaker x 2 on back side

### Mechanical and Environmental

Power Consumption	Full Loading:36.7Watts
VESA	100 x 100mm & 100 x 200mm
Power Requirement	DC12V / 5A power input
Operating Temperature	5°C ~ 40°C(41°F ~ 104°F)
Storage Temperature	-10°C ~ 60°C(14°F ~ 140°F)
Storage Humidity	10%~90%@35°C, non-condensing
Dimension	576 x 344.3 x 62.1 mm
Packing Size	645 x 545 x 295 mm
Gross Weight	8.6kg (19lb)
Net Weight	6.4kg (14.11lb)
Certifications	CE: EN 60601-1-2:2015(V4.0) , EN 60601-1:2006/ A1:2013/A12:2014(V3.1) FCC: Part 18 Class B

## Ordering Information

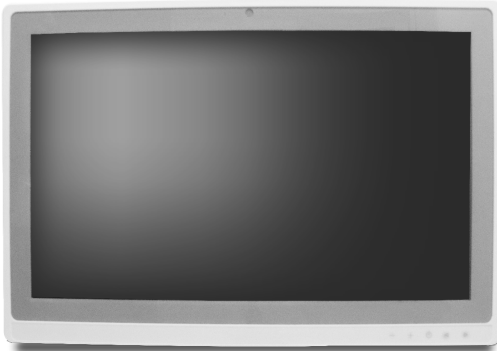
- » **MEDDP-624HNN-A1-1010**  
23.8" LCD Monitor.400 nits,DVI-Dx1.HDMIx1.DPx1.DC 12V Adapter
- » **MEDDP-624HPN-A1-1010**  
23.8" LCD Monitor.400 nits, P-CAP Touch,DVI-Dx1.HDMIx1.DPx1.DC 12V Adapter
- » **MEDDP-624TND-A1-1010**  
23.8" LCD Monitor.400 nits,DVI-Dx1.HDMIx1.DPx1.DC 12V Adapter, DICOM
- » **MEDDP-624TPD-A1-1010**  
23.8" LCD Monitor.400 nits, P-CAP Touch, DVI-Dx1.HDMIx1.DPx1.DC 12V Adapter, DICOM



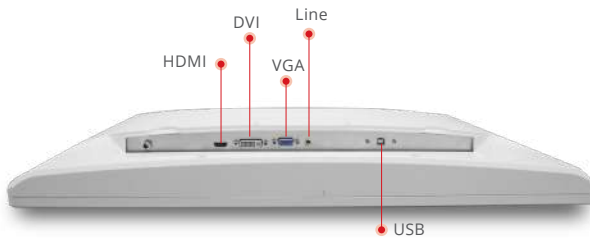
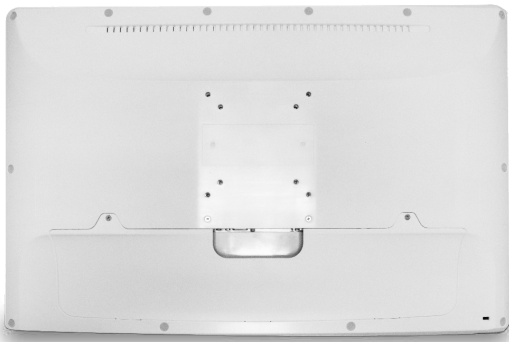
Medica Monitor for Medical Device

# MEDDP-722

22" Slim Medical Display



CE FC



## Features

- 21.5" LCD Panel with LED Backlight
- Compact and TerseDesign
- DVI x 1, HDMI x 1, DPx1
- True Flat Screen with Capacitive Touch
- Speaker -2 x built-in
- Support 2M Camera

## Specifications

### Display

Size	21.5"
Resolution	Full HD 1920 x 1080
Max. Colors	16.7M
Brightness (Typ.)	250 nits
Viewing Angle (CR=10)(Typ.)	178°(H)/178°(V)
Contrast Ratio (Typ.)	3000:1
Touch Screen	Projective capacitive touch screen (optional)

### System

OS Support	Windows® 7, Windows® 10
Webcamt	2MP

### I/O

Video Input	DVIx 1, HDMI x 1, VGA x1
Audio	Audio-in x 1
USB	USB x 1 for touch controller
Speaker	5W speaker x 2 on back side

### Mechanical and Environmental

VESA	75/100 mm VESA mount
Power Requirement	DC12V
Power Consumption	Full Loading :28.7Watts
Operating Temperature	5°C ~ 40°C(41°F ~ 104°F)
Storage Temperature	-10°C ~ 60°C(14°F ~ 140°F)
Storage Humidity	10%~90%@35°C, non-condensing
IP Rating	Protection: front IP54 - rear IPX1
Dimension	546 x 351 x 56 mm
Packing Size	570 x 478 x 260 mm
Gross Weight	8.4kg (18.51lb)
Net Weight	5.7kg (12.56lb)
Certifications	CE: EN 60601-1-2:2015(V4.0), EN 60601-1:2006/ A1:2013/A12:2014(V3.1) FCC: Part 18 Class B

## Optional Accessories

- » 125530036A  
(AOH)(TF)Medical Power Adaptor.AC/DC.100 ~ 240V.12V.3A.36W.Adapter. ATM036T-P120(Level VI)
- » 1700252001  
(AOH)(TF)DVI-D Cable.(24+1)P DVI (M).(24+1)P DVI (M).200cm
- » 1704191800  
(AOH)(TF)HDMI Cable.HDMI 19P(F) Molding.HDMI 19P(M) Molding.180cm
- » 1704151800  
(AOH)(TF)VGA Cable.D-Sub 15P(M) Molding.D-Sub 15P(M) Molding.180cm
- » 1700031802  
AOH)(TF)Aidio Cable.3.5mm 3Pole Stereo Plug(Black).3.5mm 3Pole Stereo Plug(Green).180cm

## Ordering Information

- » MEDDP-722-G1-A1-0010  
Monitor. 22".250 nits.DC 12V.Glass
- » MEDDP-722-G1-A2-0010  
Monitor. 22".250 nits.DC 12V.Glass.2M Camera
- » MEDDP-722-P1-A1-0010  
Monitor. 22".250 nits.DC 12V.PCT
- » MEDDP-722-P2-A1-0010  
Monitor. 22".250 nits.DC 12V.PCT.2M Camera

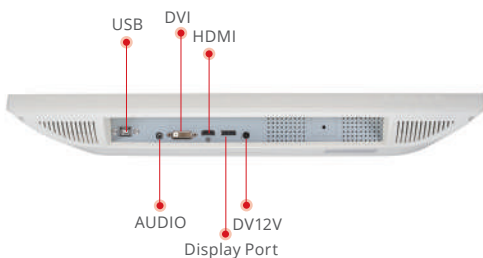
Medica Monitor for Medical Device

# MEDDP-622

22" Slim Medical Display



CE FC



## Features

- 21.5" LCD Panel with LED Backlight
- Compact and TerseDesign
- DVI x 1, HDMI x 1, DPx1
- True Flat Screen with Capacitive Touch
- Invisible OSD Design
- Speaker -2 x built-in

## Specifications

### Display

Size	21.5"
Resolution	Full HD 1920 x 1080
Max. Colors	16.7M
Brightness (Typ.)	350 nits
Viewing Angle (CR=10)(Typ.)	178° (H)/178° (V)
Contrast Ratio (Typ.)	1000:1
Touch Screen	Projective capacitive touch screen (optional)
IP Grade	IP 22

### System

OS Support	Windows® XP, Windows® 7, Windows® 10
DICOM Support	Optional

### I/O

Audio	Audio-out x 1
Serial Port	USB x 1 for touch controller
Signal	DVIx 1, HDMI x 1, DP x 1
Speaker	2W speaker x 2 on back side

### Mechanical and Environmental

Power Consumption	Full Loading :28.7Watts
VESA	100 x 100mm & 100 x 200mm
Power Requirement	DC12V
Operating Temperature	5°C ~ 40°C(41°F ~ 104°F)
Storage Temperature	-10°C ~ 60°C(14°F ~ 140°F)
Storage Humidity	10%~90%@35°C, non-condensing
Dimension	526 x 321 x 57 mm
Packing Size	570 x 478 x 260 mm
Gross Weight	8.4kg (18.51lb)
Net Weight	5.7kg (12.56lb)
Certifications	CE: EN 60601-1-2:2015(V4.0), EN 60601-1:2006/ A1:2013/A12:2014(V3.1) FCC: Part 18 Class B

## Ordering Information

- » MEDDP-622HNN-A1-1010  
21.5" LCD Monitor.350 nits,DVI-Dx1.HDMIx1.DPx1.DC 12V Adapter
- » MEDDP-622HPN-A1-1010  
21.5" LCD Monitor.350 nits, P-CAP Touch,DVI-Dx1.HDMIx1.DPx1.DC 12V Adapter
- » MEDDP-622TND-A1-1010  
21.5" LCD Monitor.350 nits,DVI-Dx1.HDMIx1.DPx1.DC 12V Adapter, DICOM
- » MEDDP-622TPD-A1-1010  
21.5" LCD Monitor.350 nits, P-CAP Touch, DVI-Dx1.HDMIx1.DPx1.DC 12V Adapter, DICOM

Medica Monitor for Medical Device

# MEDDP-615

15.6" Slim Medical Display



## Features

- 15.6" 1920 x 1080 Resolution Display
- Projected Capacitive Multi-touch
- VGA input and HDMI input
- Stylish and elegant design

## Specifications

### Display

Size	15.6"
Resolution	Full HD 1920 x 1080
Max. Colors	16.7M
Brightness (Typ.)	300 nits
Viewing Angle (CR=10)(Typ.)	85°(H)/85°(V)
Contrast Ratio (Typ.)	700:1
Touch Screen	Projective capacitive touch screen

### System

OS Support	Windows® XP, Windows® 7, Windows® 10
------------	--------------------------------------

### I/O

Audio	Audio-in x 1
Serial Port	USB x 1 for touch controller
Signal	VGA x 1, HDMI x 1
Speaker	1 W speaker x 2 on back side

### Mechanical and Environmental

Power Consumption	Full Loading :24.3.7Watts
VESA	75 x 75mm & 100 x 100mm
Power Requirement	DC12V / 5A power input
Operating Temperature	5°C ~ 40°C(41°F ~ 104°F)
Storage Temperature	-10°C ~ 60°C(14°F ~ 140°F)
Storage Humidity	10%~90%@35°C, non-condensing
Dimension	387.8 x 232.9 x 38.4 mm
Packing Size	425.3 x 269.2 x 45.6 mm
Gross Weight	6.5 kg (14.33lb)
Net Weight	2.8 kg (6.2lb)

Certifications	CE: EN 60601-1-2:2015(V4.0), EN 60950-1 EN 60601-1:2006/A1:2013/A12:2014 (V3.1) EN 62366:2007 + A1:2014 (V1.1) FCC: Part 18 Class B, Part 15 Class B UL: ANSI/AAMI E560601-1:2012 (V3.1) cUL: CAN/CSA-C22.2 No. 60601-1:2014 (V3.1)
----------------	--

## Ordering Information

- » MEDDP-615HPN-A1-1010  
15.6" LCD Monitor.300 nits.P-CAP touch,VGAx1.HDMIx1.DC 12V Adapter

Medica Monitor for Medical Device

# MEDDP-415

15" Slim Medical Display



CE FC



## Features

- 15 " 1024 x 768 Resolution Display
- P-cap touch
- Stylish And Elegant Design

## Specifications

### Display

Size	15"
Resolution	1024 x 768
Max. Colors	16.2M
Brightness (Typ.)	300 nits
Viewing Angle (CR=10)(Typ.)	80°(H)/80°(V)
Contrast Ratio (Typ.)	700:1
Touch Screen	P-cap Touch, Protective Glass

### System

OS Support	Windows®XP, Windows® 7, Windows® 10
------------	-------------------------------------

### I/O

Audio	Audio-in x 1
Serial Port	USB x 1 for touch controller
Signal	VGA x 1, HDMI x 1
Speaker	1 W speaker x 2 on backside

### Mechanical and Environmental

Power Consumption	Full Loading:24.3.7Watts
VESA	75 x 75mm & 100 x 100mm
Power Requirement	DC12V / 5A power input
Operating Temperature	5°C ~ 40°C(41°F ~ 104°F)
Storage Temperature	-10°C ~ 60°C(14°F ~ 140°F)
Storage Humidity	10%~90%@35°C, non-condensing
Dimension	352.5x 276.1 x 45.0 mm
Packing Size	402.5x 326.1 x 80.0 mm
Gross Weight	3.7 kg (8.16lb)
Net Weight	2.6kg (5.73 lb)
Certifications	CE: EN 60601-1-2:2015(V4.0) EN 60601-1:2006 / A1:2013(V3.1) FCC: Part 18 Class B, Part 15 Class B

## Ordering Information

- » MEDDP-415HNN-A1-1010  
15" LCD Monitor.300 nits.VGAx1.HDMIx1.DC 12V Adapter
- » MEDDP-415HPN-A1-1010  
15" LCD Monitor.300 nits, P-CAP touch.VGAx1.HDMIx1.DC 12V Adapter

# Medical Computer for Medical Device

## Dependable, Ready to Use Platform for Medical Equipment & OEM/ODM

MEDPC series is designed to achieve the high requirements of Hospital IT field and medical task that a hospital has. It is fanless design ensures that it will be quiet, and stop infection spreading from hiding in the fan. It has wide selections of up-to-date upgrades, and it has 5-7 lifecycle. Best of all, this Medical Grade Computer is already medical certified just like all of our products.



### Key Features

- »» Medical certification with high performance CPU
- »» Fanless design and no bacterial infection concern
- »» Flexible function extension ability
- »» Different options for different purpose

### + Ready-to-use Medical Certified Platform

MEDPC is certified with EN 60601-1, UL 60601-1, FCC & CE Class B regulation. Detailed ISO 13485 and 14971 Risk Management Control guarantee product quality.



### + Latest/Current Off-the-shelf Processor

From Intel® Quad Core i7, to Atom™ series, you can choose the best processor for the system. No matter for imaging capturing, data analyzing, photo viewing, or just EMR storage, you can always find right chipset.



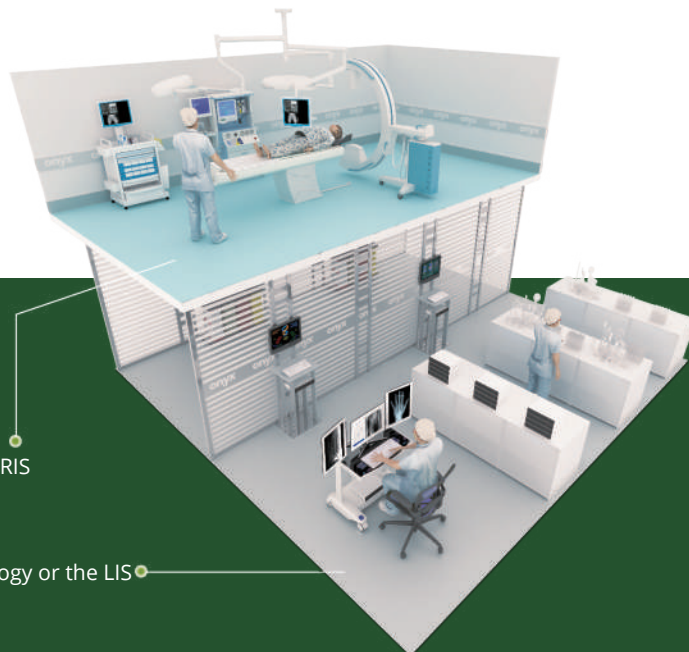
### + Unique Medical Device Functions

MedPC products with IP-X1 enclosure are easy to clean with detergent and water splitting proof. Isolated IO interfaces like Ethernet, COM and USB let system connect to other medical device or accessories risk free.



### + 5-7 Year Longevity Lifecycle Support

Your time and efforts can now focus on business promotions and product development. A careful design and vendor approval approach as well as scheduled reviews, minimizes unwelcome surprises during the product life cycle.



Biotechnology / Lab



His / NIS



RIS

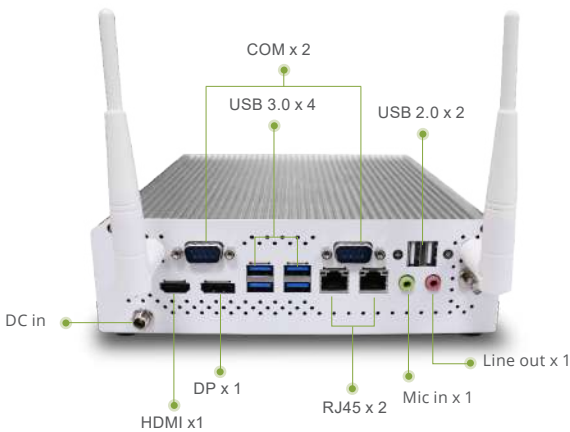
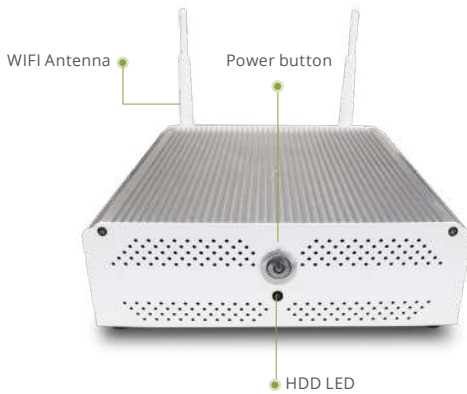


Pharmaceutical

Medical Computer for Medical Device

# MEDPC-9200

High Performance Medical Grade PC with Intel® 6th Generation Core™ iSeries



## Features

- Intel® 6/7th Generation Core i, Processor
- Supports DDR4 up to 32GB
- Extension area: PCI-Express [x1] x 1(optional)
- Two Independent , Display: DP/HDMI
- Supports TPM 2.0
- Modularize Design
- Support Inte Modivus AI card

## Application

- HIS, LIS, RIS
- Pharmaceutical industry
- Biotech Lab
- Signage in hospital
- Equipment control

## Specifications

### Main Specifications

Processor	Intel® 7th/6th Generation Core™ i7/i5/i3
System Memory	Supports Dual Channel DDR4 SODIMM up to 32 GB
OS Support	Windows® 7, Windows® 8, Windows® 10, Linux®
Extension area	PCI-Express [x1] x 1(optional)
Storage Disk Drive	2.5" SATA SSD x 1
Security	TPM 2.0
Power Requirement	DC 12V

### I/O

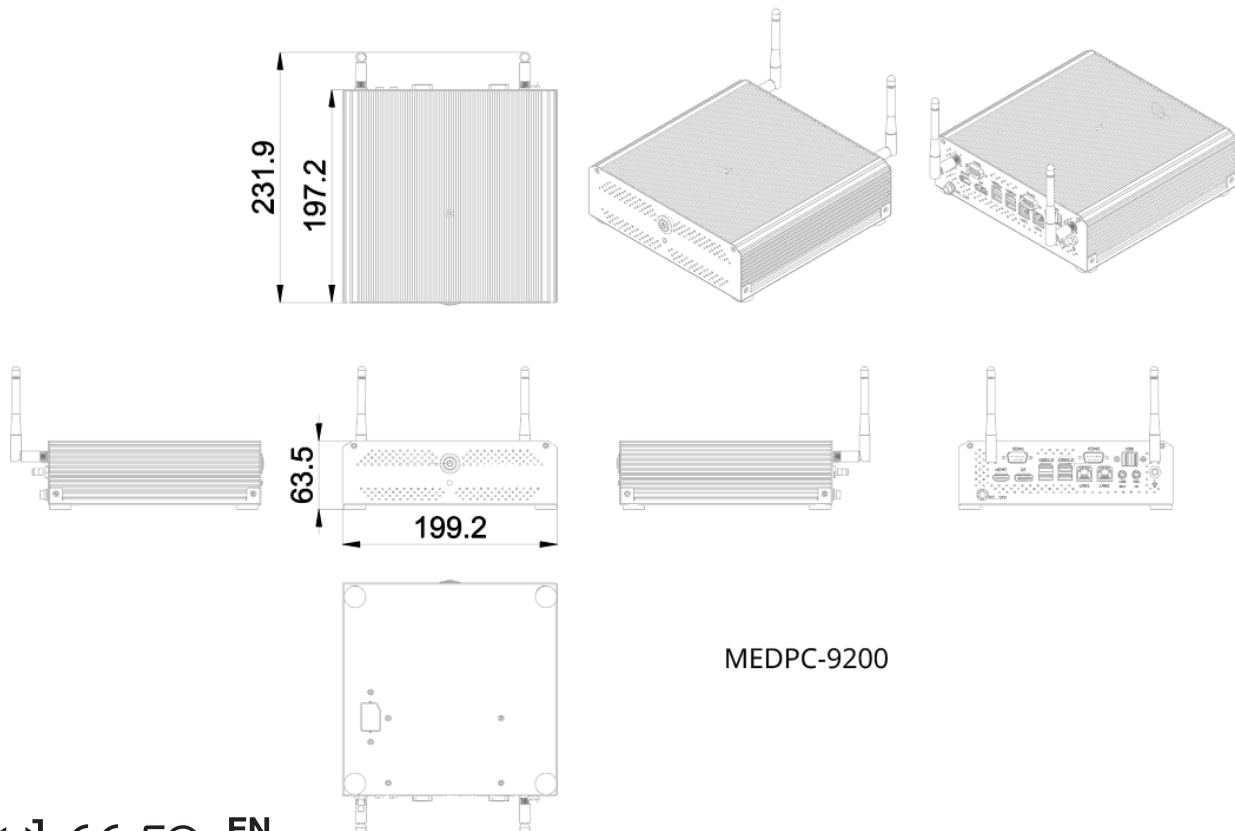
USB	USB 3.0 x 4 , USB 2.0 x 2
Serial Port	RS-232 x 2
Ethernet	Gigabit LAN x 2
Video Out	Display Port x 1 (Support up to 1920 x 1200 @60 Hz) , HDMI 1.4 x 1
Audio	Mic-in, Line-out

### Mechanical and Environmental

Operating Temperature	0°C ~ 40°C(32°F ~ 104°F)
Storage Temperature	-20°C ~ 60°C(-4°F ~ 140°F)
Dimension	197 x 197 x 59.5 mm for main layer 197 x 197 x 44 mm for extension layers
Package Size	300 x 280 x 95 mm
Gross Weight	3.3 kg (7.25 lb) in the single layer, 4.0 kg (7.25 lb) in two layer
Net Weight	2.5 kg in the single layer, 3.7 kg in two layers
Certifications	CE: EN 60601-1-2:2015(V4.0), EN 60601-1:2006/A1:2013/A12:2014 (V3.1) FCC: Part 18 Class B UL: ANSI/AAMI ES60601-1:2012 (V3.1) cUL: CAN/CSA-C22.2 No. 60601-1:2014 (V3.1)

## High Performance Medical Grade PC with Intel® 6th Generation Core™ iSeries

### Dimension / Unit: mm



MEDPC-9200



### Ordering Information

- » MEDPC-9200-N1-A1-0010  
Medical Box PC.i7-6700TE.Fanless.DC 12V
- » MEDPC-9200-N2-A1-0010  
Medical Box PC.i5-6500TE.Fanless.DC 12V

### Optional Accessories

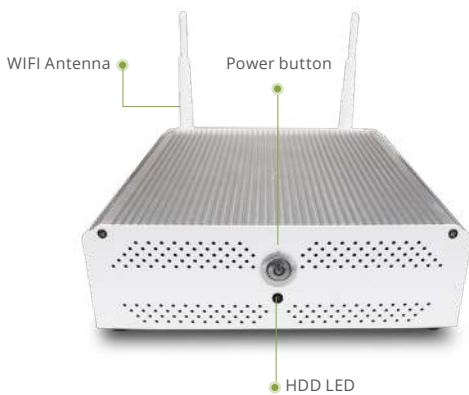
- » 1255300907  
(AOH)(TF) Power Adapter.100-240Vac.50/60Hz.1.5A..12Vdc.7.5A.90W.FSP.FSP090M-RHA(w/Lock)
- » OPM-C16W-A7  
WLAN Kit.802.11a/b/g/n w/BT 4.0.Atheros AR5B22
- » M92-SEC-A1  
MEDPC-9200.extension area with PCIe[x1] riser
- » OPM-C10W-A7  
WLAN Kit.802.11a/b/g/n/ac.BT 4.2.Intel 8265
- » OPM-T029-A0  
Intel modivius AI card for MEDPC-9200



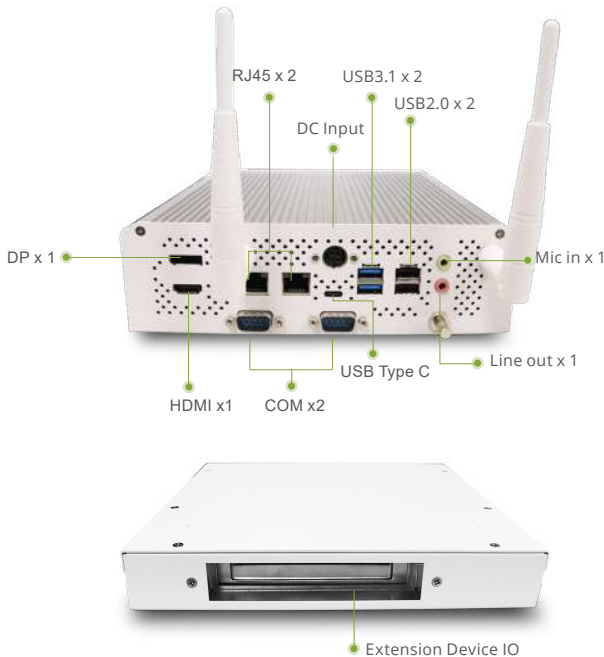
# Medical Computer for Medical Device

## MEDPC-9300

High Performance Medical Grade PC with AMD Ryzen™ Embedded V1000



COM x 2



### Features

- AMD Ryzen Embedded V1605B Processor up to 3.6GHz
- Supports DDR4 SO-DIMM, Max. 32GB
- AMD Vega GPU with 8 Compute Units
- Three Independent 4K Display: 1x HDMI 2.0, 1x DisplayPort, 1x USB Type-C
- 1x USB 3.1 Type-C, 2x USB 3.1 Type-A
- 1x PCI Express[x8] in Extension Layer(optional)
- Supports fTPM2.0

### Application

- HIS, LIS, RIS
- Pharmaceutical industry
- Biotech Lab
- Signage in hospital
- Equipment control

### Specifications

#### System

Processor	AMD Ryzen™ Embedded V1605B Processor
System Memory	DDR4 SoDIMM x2, Max. 32GB
Graphics	AMD Vega GPU with 8 Compute Units
Expansion Interface	PCI Express[x8] x1
Storage Disk Drive	2.5" SATA SSD x1
Security	fTPM2.0
Wireless Communication	802.11ac/a/b/g/n(optional), Bluetooth(optional)
Power Requirement	DC 12~24V
OS Support	Win 10 IoT Enterprise 64-bit / Linux Ubuntu 64-bit

#### Display

Video Out	1x HDMI 2.0, 1x Display Port 1.4, 1x USB Type-C
Display	Up to 3840 x 2160 resolution, at 60Hz
HDMI	Up to 3840 x 2160 resolution, at 60Hz

#### I/O

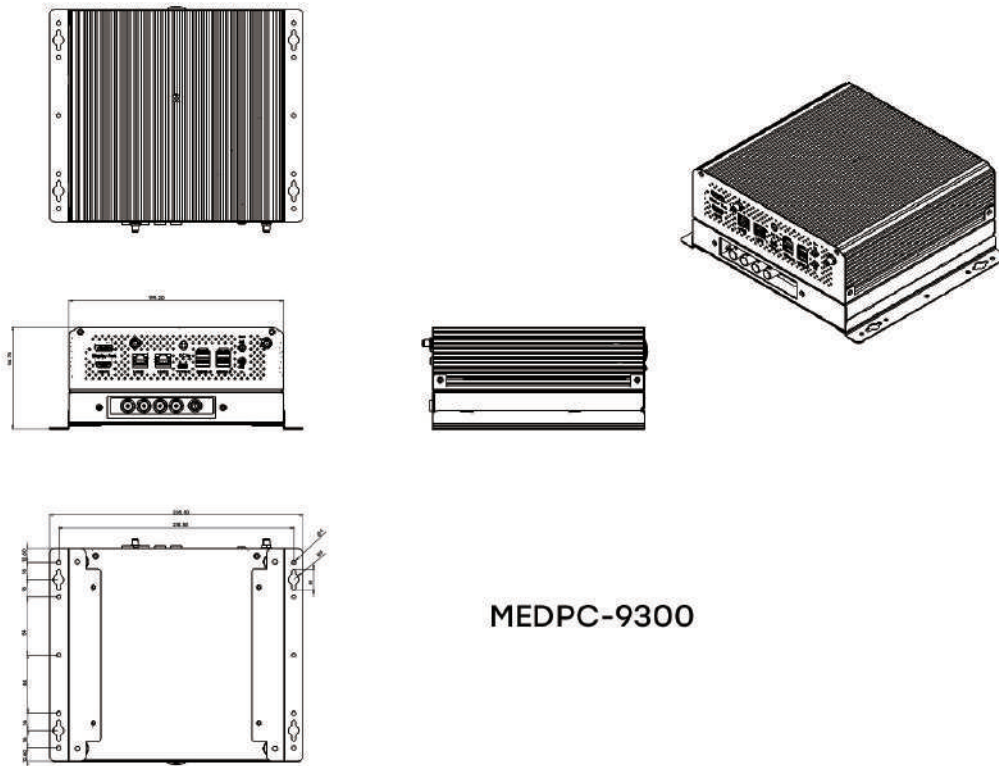
USB	2x USB 3.1 Type-A, 1x USB 3.1 Type-C, 2x USB2.0
Serial Port	2x RS-232
Audio	Mic, Line-out
LAN	2x Gigabit Ethernet
Audio Jack	Mic, Line-out

#### Mechanical and Environmental

Operating Temperature	0°C ~ 40°C(32°F ~ 104°F)
Storage Temperature	-20°C ~ 60°C(-4°F ~ 140°F)
Dimension	197 x 197 x 59.5 mm for main layer 197 x 197 x 44 mm for extension layers
Package Size	300 x 280 x 95 mm
Gross Weight	3.3 kg (7.25 lb) in the single layer, 4.0 kg (7.25 lb) in two layer
Net Weight	2.5 kg in the single layer, 3.7 kg in two layers
Certifications	CE: EN 60601-1-2:2015(V4.0), EN 60601-1:2006/A1:2013/A12:2014 (V3.1) FCC: Part 18 Class B UL: ANSI/AAMI ES60601-1:2012 (V3.1) cUL: CAN/CSA-C22.2 No. 60601-1:2014 (V3.1)

## High Performance Medical Grade PC with AMD Ryzen™ Embedded V1000

### Dimension / Unit: mm



MEDPC-9300



### Ordering Information

- » MEDPC-9300-N1-A1-0010  
MEDPC-9300. AMD Ryzen™ Embedded V1605B.

### Optional Accessories

- » 1255301205  
(AOH)(TF)Medical Power Adaptor.AC/DC.100-240V.12V.10A.120W.W/4P DIN.Adapter.ATM-P120
- » OPM-C10W-A10  
WLAN Kit.Intel 8265.802.11ac/a/b/g/n.BT 4.2.with dual band antenna.MEDPC-9300
- » M93-SEC-A1  
MEDPC-9300.extension area.
- » OPM-C12W-A10  
WLAN Kit.Qualcomm Atheros.802.11ac/a/b/g/n.BT 4.1.with dual band antenna. MEDPC-9300
- » OPM-C15W-A10  
WLAN Kit.802.11a/b/g/n/ac.BT 5.dual ext. antenna.Intel AC 9260NGWGIE.NV,999LV6.for MEDPC-9300

Medical Computer for Medical Device

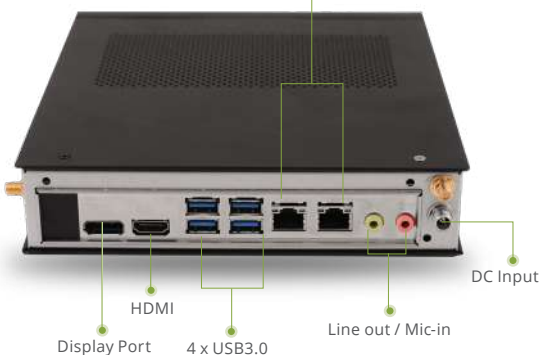
# MEDPC-5700

High Performance Medical Grade PC with Intel® 4th Generation Core™ iSeries



4 x USB 2.0

Gigabit LAN x 2



Display Port

HDMI

4 x USB3.0

Line out / Mic-in

DC Input

## Features

- Intel® 4th Generation Quad Core i7 /i5/ i3 Processor
- Intel® Q87 Chipset
- Supports Dual Channel DDR3 SODIMM up to 16GB
- High Speed USB 3.0 Ports
- +12V to +24V Wide Range DC Input

## Application

- HIS, LIS, RIS
- Pharmaceutical industry
- Biotech Lab
- Signage in hospital
- Equipment control

## Specifications

### Main Specifications

Processor	Intel® 4th Generation Quad Core i7 /i5/ i3 Processor
System Memory	Supports Dual Channel DDR3 SODIMM up to 16GB
Chipset	Intel® Q87
OS Support	Windows® 7, Windows® 8, Windows® 10, Linux® (optional)
Storage Disk Drive	2.5" SATA SSD Drive bay x 1

### I/O

USB	USB 3.0 x 4 , USB 2.0 x 4
Ethernet	Gigabit LAN x 2
Video Out	Display Port x 1, HDMI x 1
Audio	Mic-in, Line-out

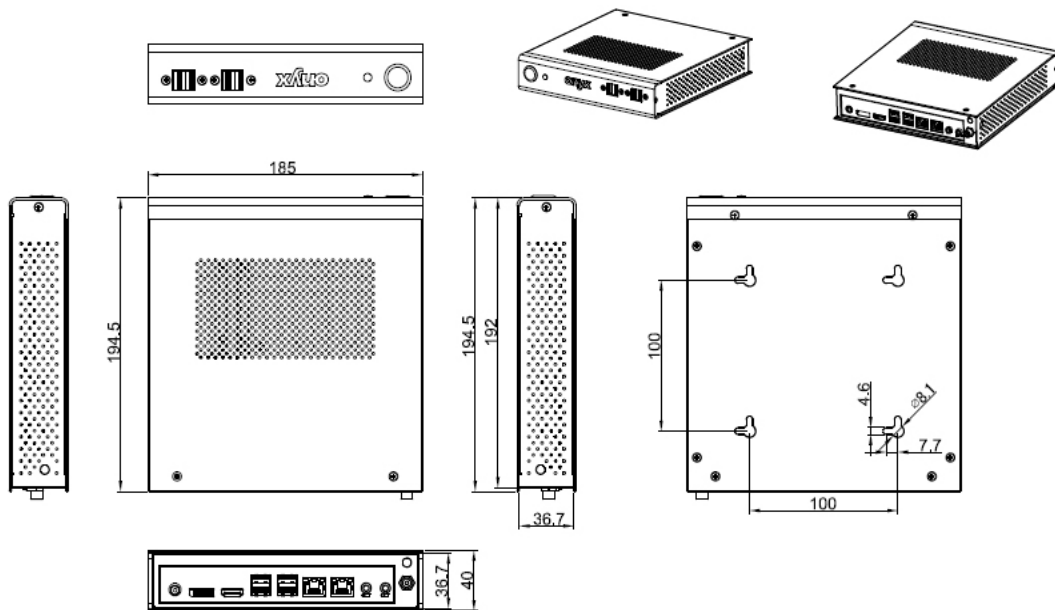
### Mechanical and Environmental

Power Requirement	DC12V-24V power input
Operating Temperature	0°C ~ 40°C(32°F ~ 104°F)
Storage Temperature	-20°C ~ 60°C(-4°F ~ 140°F)
Dimension	185 x 194 x 40 mm
Package Size	255 x 160 x 275 mm
Gross Weight	2.9kg (6.4lb)
Net Weight	1.5kg (3.3lb)

Certifications	CE: EN 60601-1-2:2015(V4.0), EN 60601-1:2006/A1:2013/A12:2014 (V3.1)
	FCC: Part 18 Class B
	UL: ANSI/AAMI ES60601-1:2012 (V3.1)
	cUL: CAN/CSA-C22.2 No. 60601-1:2014 (V3.1)

## High Performance Medical Grade PC with Intel® 4th Generation Core™ iSeries

### Dimension / Unit: mm



### Ordering Information

- » MEDPC-5700-A1-1010  
Emb, Sys., i7-4770TE , DC 12V~24V, 4GB RAM, 1HDMI, 2LAN, 4USB 3.0
- » MEDPC-5700-A1-1020  
Emb, Sys., i5-4590TE , DC 12V~24V, 4GB RAM, 1HDMI, 2LAN, 4USB 3.0
- » MEDPC-5700-A1-1030  
Emb, Sys., i3-4330TE , DC 12V~24V, 4GB RAM, 1HDMI, 2LAN, 4USB 3.0

### Optional Accessories

- » 1255301202  
Power Adapter. AC/DC.100-240V.24V.5A.120W.W/ Lock
- » OPM-C16W-A1  
WLAN Kit.802.11a/b/g/n w/BT 4.0.Mini Card.dual white ext. antenna.Atheros AR5B22

Medical Computer for Medical Device

# MEDPC-2700

Fanless Medical Grade Box PC with Intel Cherry Trail Process



## Features

- Intel® Cherry Trail x5-Z8350 SoC
- Onboard DDR3L 2 GB memory
- Onboard 32GB eMMC storage
- 1x Gigabit LAN, 4x USB 2.0, 1x HDMI
- Optimized Fan-less Cooling Design
- 3G/4G LTE/LoRa available (Optional)

## Application

- Pharmaceutical industry
- Biotech Lab
- Signage in hospital
- Equipment control
- Internet getaway

## Specifications

### Main Specifications

Processor	Intel® Cherry Trail x5-Z8350 SoC
System Memory	Onboard DDR3L 2GB SODIMM up to 4 GB
GPU	Intel® HD Graphics
OS Support	Android 6.0, Windows® 7, Windows® 8, Windows® 10, Linux® (optional)
Storage Disk Drive	Onboard eMMC storage up to 32 GB
Wireless Communication	IEEE 802. 11 a/b/g/n. BT 4.0
Power Requirement	5V DC-in

### I/O

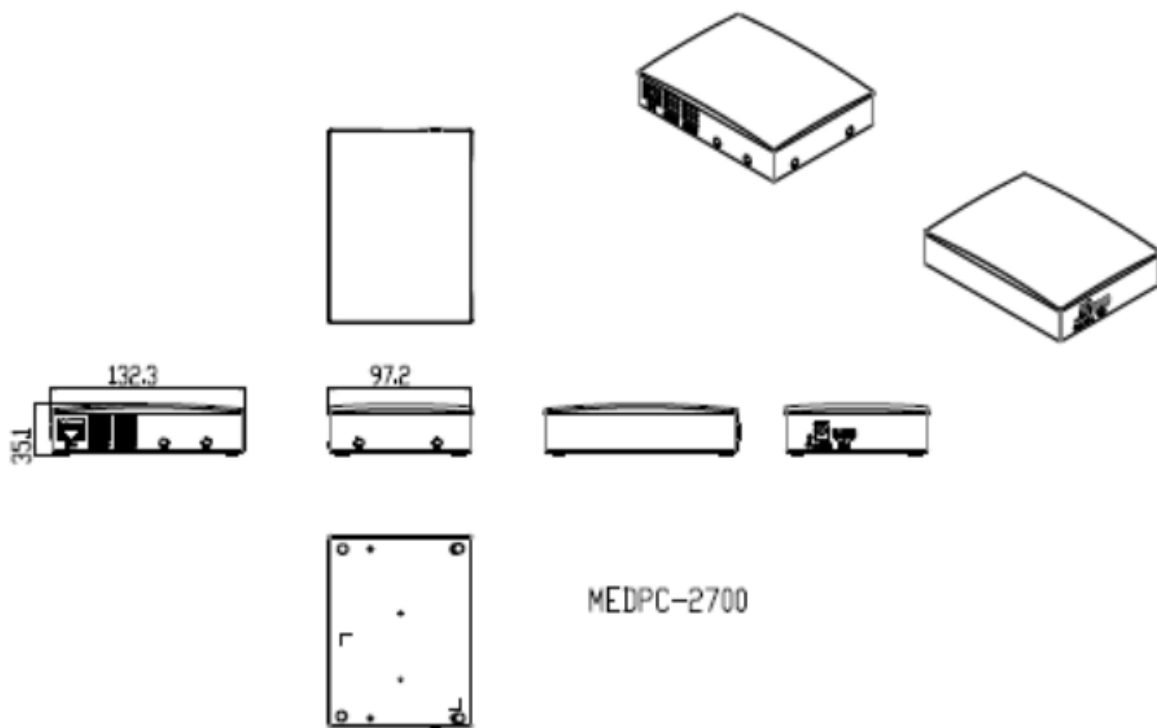
USB	4 x USB2.0 Type A,
Ethernet	1x RJ45 Gigabit LAN
Video	1 x HDMI 1.4b,
Audio	N/A

### Mechanical and Environmental

Operating Temperature	0°C ~ 30°C(32°F ~ 86°F)
Storage Temperature	-20°C ~ 60°C(-4°F ~ 140°F)
Dimension	131 x 97.8 x 32 mm
Package Size	340 x 232 x 66 mm
Gross Weight	2.9kg (6.4lb)
Net Weight	1.5kg (3.3lb)
Certification	CE: EN 60601-1-2:2015(V4.0), EN 60601-1:2006/A1:2013/A12:2014 (V3.1) FCC: Part 18 Class B, Part 15 Class B, UL: ANSI/AAMI ES60601-1:2012 (V3.1) cUL: CAN/CSA-C22.2 No. 60601-1:2014 (V3.1)

## Fanless Medical Grade Box PC with Intel Cherry Trail Process

### Dimension / Unit: mm



### Ordering Information

- » MEDPC-2700-A1-1010  
MEDPC.Z8350.Fanless.DC5.2GB RAM.32GB EMMC. Windows 10

### Optional Accessories

- » 1255300170  
(AOH)(TF)Medical Power Adaptor.AC/DC.100 ~ 240V.5V.3.5A.17.5W.90D DC Plug.Adapter.ATM020-W050U(USA-Level VI)
- » OPM-C13W-A0  
WLAN Kit.IEEE 802. 11 a/b/g/n.2. 4GHz and 5GHz.BT 4.2.for MEDPC-2700.for MEDPC-2700
- » OPM-C13W-A1  
WLAN Kit.IEEE 802. 11 a/b/g/n.2. 4GHz and 5GHz..for MEDPC-2700
- » OPM-C13W-A2  
BT 4.2 module.for MEDPC-2700
- » OPM-Y80T-A0  
UART Wireless function Board.for MEDPC-2700

Medical Computer for Medical Device

# MEDPC-2100

Ultra Slim Medical Grade PC with Intel Bay Trail SoC



## Features

- Intel® Bay Trail J1900 (Quad Core) 2GHz
- Multiple display output support
- Fanless easy clean design
- Mini Size

## Application

- HIS, LIS, RIS
- Pharmaceutical industry
- Biotech Lab
- Signage in hospital
- Equipment control

## Specifications

### Main Specifications

Processor	Intel® Celeron J1900 (Quad Core) 2GHz
Video Chipset	Intel® HD Graphics
Display Memory	Shared Memory
System Memory	204-pin DDR3L support to 8GB
Expansion	1 x Half size Mini Card Slot; 1 Mini card slot
System Storage	CFAST Cardx 1
OS Support	Windows® 7, Windows® 8, Windows®10, Linux®

### I/O

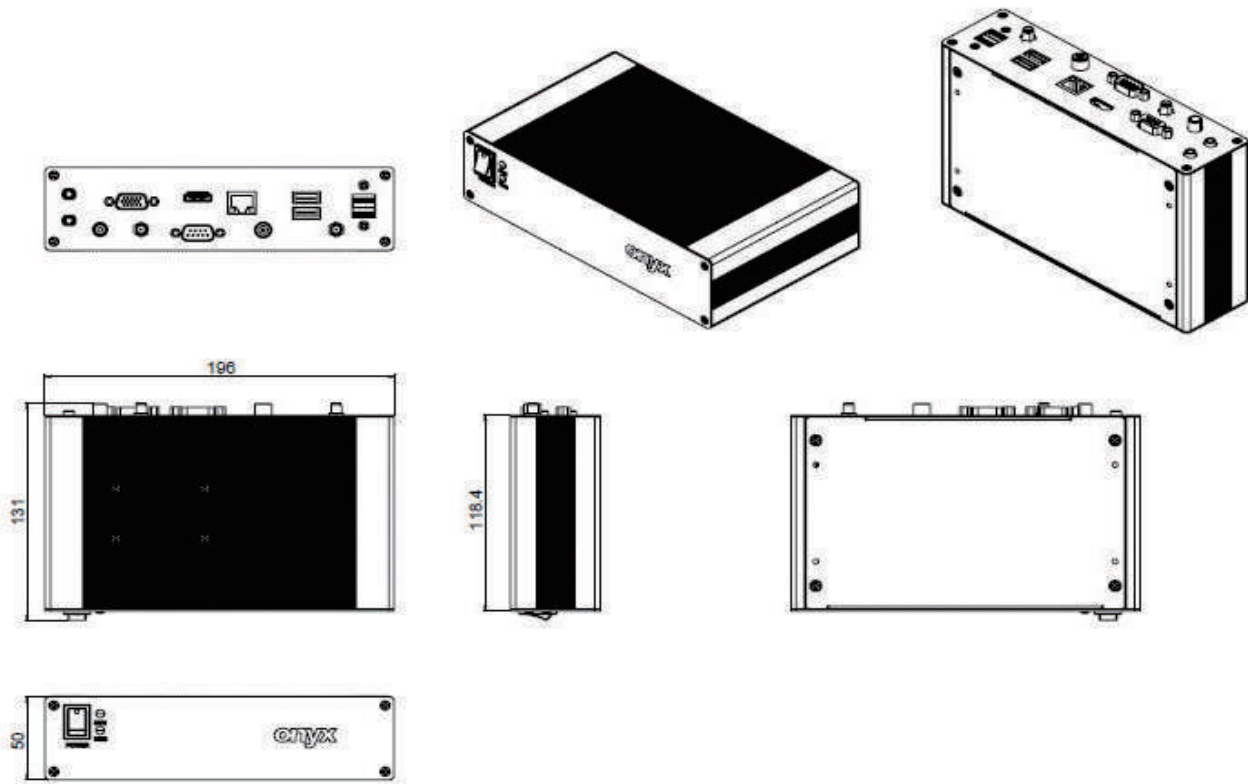
USB	USB 2.0 x 3, USB 3.0 x 1
COM Port	RS-232 x 1
Video Interface	VGA x 1, HDMI 1.4a x 1
Power Jack	DC Power Input Connector
Ethernet	GbE LAN x 1 by RJ-45
SMA Connector	SMA Connector for WLAN antenna (removable) (optional)
Power Switch	1 Power switch button and 2 LED indicator (HDD, SYS) (Orange Red, Green)
Audio	Line out / Line-in

### Mechanical and Environmental

Power Consumption	Full Loading: 38.453Watts
Power Requirement	DC 12V power input
Operating Temperature	0°C ~ 40°C (32°F ~ 104°F)
Storage Temperature	-20°C ~ 60°C (-4°F ~ 140°F)
Dimension	196 x 131 x 50 mm
Package Size	305 x 225 x 230 mm
Gross Weight	2.4kg (5.28lb)
Net Weight	1.2Kg (2.64lb)
Certifications	CE: EN 60601-1-2:2015(V4.0), EN 60601-1:2006/A1:2013/A12:2014 (V3.1) FCC: Part 18 Class B UL: ANSI/AAMI ES60601-1:2012 (V3.1) cUL: CAN/CSA-C22.2 No. 60601-1:2014 (V3.1)

## Ultra Slim Medical Grade PC with Intel Bay Trail SoC

## Dimension / Unit: mm



## Ordering Information

- » MEDPC-2100-A1-1010  
Emb. Sys., DC 12V, 2GB RAM, 1 LAN, 1 USB 3.0, 3 USB 2.0, 1 VGA, 1HDMI, 1 COM
- » MEDPC-2100-A2-1010  
Emb. Sys.Celeron J1900.DC 12V.1 VGA,1 HDMI, 1 COM.3 USB2.0,1 USB3.0.1 LAN.4G RAM.CFast

## Optional Accessories

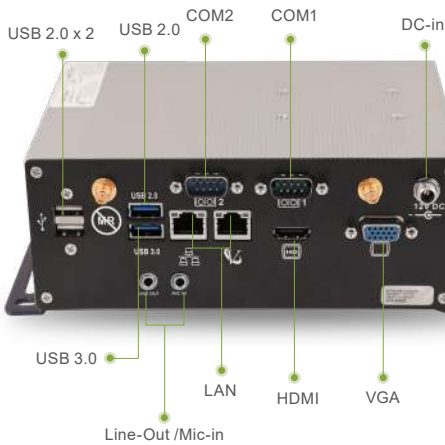
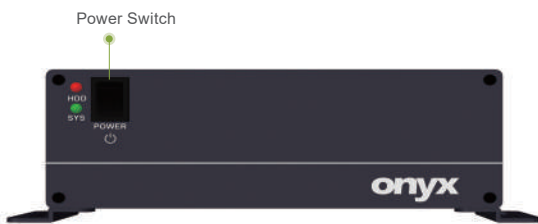
- » 1757306039  
Medical Power Adaptor.100 ~ 240V.12V.5A.60W.DC.W/ Lock.Adapter.ATM065-P120(w/core)
- » OPM-C16W-A7  
WLAN Kit.Atheros AR1111.802.11b/g/n+BT 4.0.Mini Card.dual white ext. antenna.for MEDPC-2100
- » OPM-C15W-A11  
WLAN Kit.802.11a/b/g/n/ac.BT 5.dual ext. antenna.Intel AC9260NGWGIE.NV,999LV6.for MEDPC-2100



Medical Computer for Medical Device

# MEDPC-2000

Ultra Slim Medical Grade PC with Intel Bay Trail SoC



## Features

- Intel® Bay Trail J1900 (Quad Core) 2GHz
- Multiple display output support
- Fanless easy clean design
- Compact Size

## Application

- HIS, LIS, RIS
- Pharmaceutical industry
- Biotech Lab
- Signage in hospital
- Equipment control

## Specifications

### Main Specifications

Processor	Intel® Celeron J1900 (Quad Core) 2GHz
Video Chipset	Intel® HD Graphics
Display Memory	Shared Memory
System Memory	204-pin DDR3L support to 8GB
Expansion	1 x Half size Mini Card Slot
System Storage	2.5" SATA HDD / SSD x 1
OS Support	Windows 7, Windows 10

### I/O

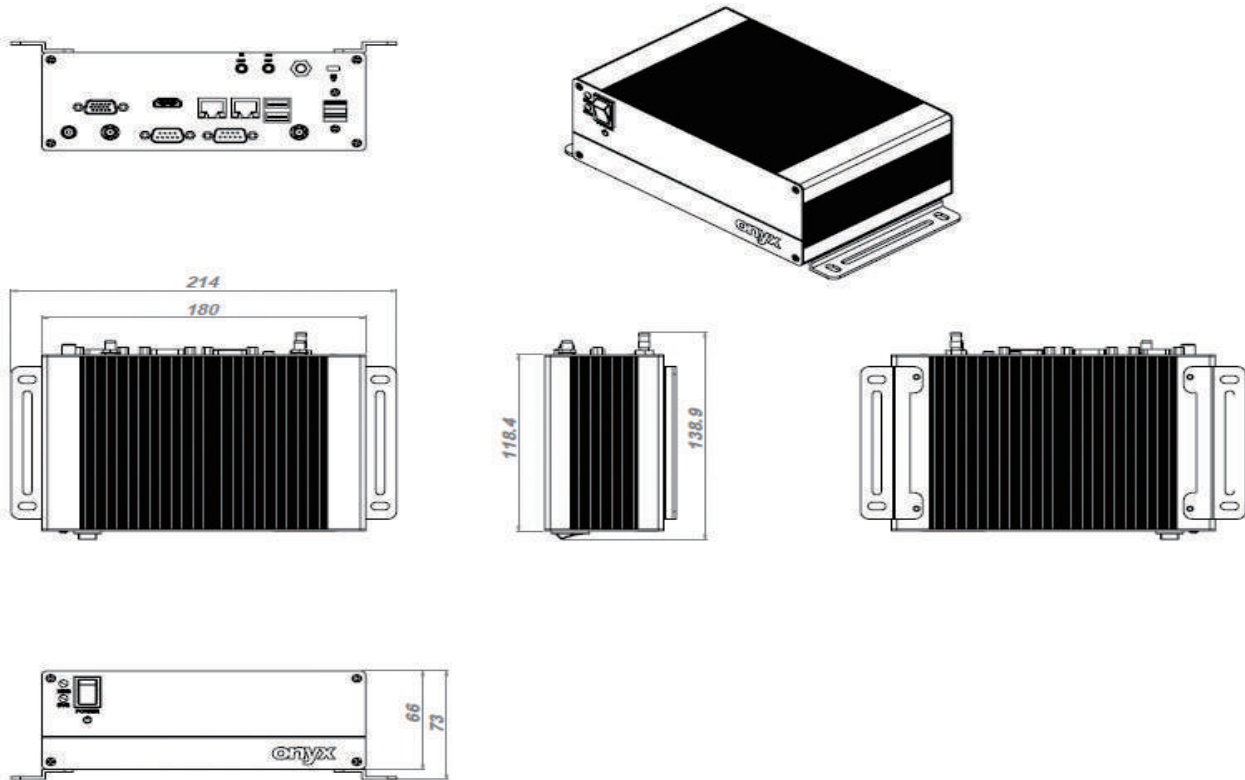
USB	USB 2.0 x 3, USB 3.0 x 1
COM Port	RS-232 x 2
Video Interface	VGA x 1, HDMI x 1
Ground Pin	Grounding PIN 42801(removable)
Power Jack	DC Power Input Connector
Kensington Lock Hole	1 Kensington Lock Hole
Ethernet	GbE LAN x 2 by RJ-45
SMA Connector	SMA Connector for WLAN antenna (removable) (optional)
Power Switch	1 Power switch button and 2 LED indicator (HDD, SYS) (Orange Red, Green)
Audio	Line out / Mic-in

### Mechanical and Environmental

Power Consumption	Full Loading: 38.453Watts
Power Requirement	DC 12V power input
Operating Temperature	0°C ~ 40°C (32°F ~ 104°F)
Storage Temperature	-20°C ~ 60°C (-4°F ~ 140°F)
Dimension	214 x 138.9 x 72 mm
Package Size	305 x 205 x 230 mm
Gross Weight	2.7kg (5.95lb)
Net Weight	1.7kg (3.75lb)
Certifications	CE: EN 60601-1-2:2015(V4.0), EN 60601-1:2006/ A1:2013/A12:2014 (V3.1) FCC: Part 18 Class B, Part 15 Class B, UL: ANSI/AAMI ES60601-1:2012 (V3.1) cUL: CAN/CSA-C22.2 No. 60601-1:2014 (V3.1)

## Ultra Slim Medical Grade PC with Intel Bay Trail SoC

### Dimension / Unit: mm



### Ordering Information

- » MEDPC-2000-A1-1010  
Emb. Sys., J1900 2.42GHz, DC 12V, 2GB RAM, 2 LAN, 1 USB 3.0, 3 USB 2.0, 1 VGA, 1HDMI, 2 COM

### Optional Accessories

- » 1757306039  
Medical Power Adaptor.100 ~ 240V.12V.5A.60W.DC.W/ Lock.Adapter.ATM065-P120(w/core)
- » OPM-C16W-A7  
WLAN Kit.Atheros AR1111.802.11b/g/n+BT 4.0.Mini Card.dual white ext. antenna.for MEDPC-2000

# Healthcare Infotainment All In One Computer

Onyx is proud to introduce its medical infotainment solutions to reduce the workload of nurses and maximize patient's hospital experience during their stays. Onyx Infotainment series are offered in 10.1"/11.6"/15.6"/18.5" touch panel LCDs and are all low power high performance all-in-one terminals with high brightness, wide viewing angles, and anti-microbial design. From the high performance Intel processor to power saving ARM CPUs, Onyx Infotainment series allows customers to select from a wide variety of bedside solutions that best fits their need and budget.



## Key Features

- » HD video quality with HDMI input
- » 10.1" to 18.5" Wide Color TFT LCD w/ Multi Touch
- » USB interface to host computer
- » Light Weight from 1.5 to 3.2kg
- » Wire Remote Control w/ handset Function
- » Smart Card Reader / MSR / VOIP Phone, Web Camera, High Quality Speakers
- » Reading Light
- » Extension Features: RFID, Smart Card Reader, Barcode scanner
- » EN60601-1 / UL 60601-1

## Complete Range of Medical Solutions to Suit Your Needs

From display systems such as bedside monitors to medical grade boxPCs and all-in-one terminals, Onyx offers a comprehensive assortment of medical IT solutions to cover virtually any computing need in the healthcare community.



## Peripheral Support Features that Extend Your Efficiency

Increasing the efficiency of your healthcare facility is conveniently managed with the addition of intelligent peripheral devices. Like smart card and magnetic swipe card readers, high resolution webcams, and 10-point multi-touch displays.



## Ergonomic and Cost-effective Design

The Bedside Infotainment Series offers solutions that are both lightweight and compact in size, making them easy to carry, install, and manage for medical staff. Units with an 18.5" display weigh only 3.5kg, while units with an 11.6" display weigh just 1.5kg. The competitively priced Bedside Infotainment Series makes it an ideal solution to fit a multitude of medical IT applications, while at the same time saving on your budget.



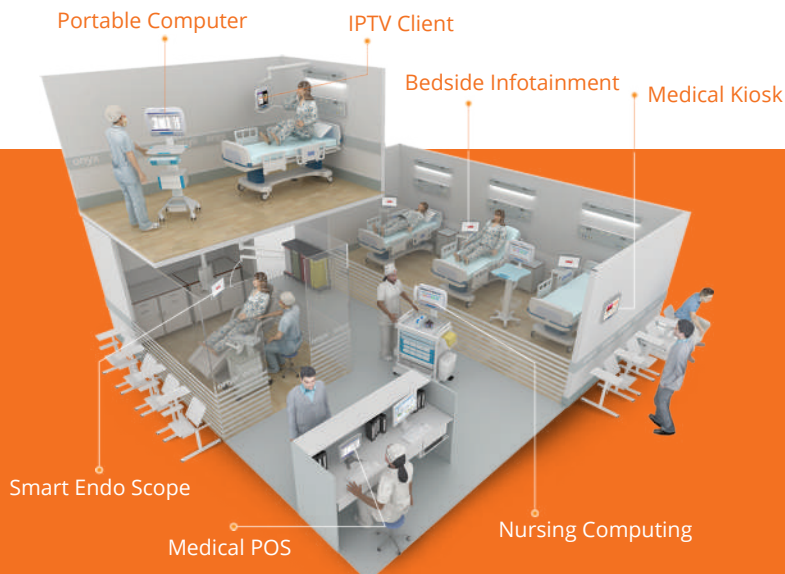
## Power over Ethernet (PoE)

The advantages of using PoE include providing a single cable for both data and power that eliminates the need for extra power cords; ease of installation as there is no need to coordinate data and power sources which can leave extra lengths of exposed cabling; and the ability to use existing infrastructure, minimizing interruptions to facilities and patients.



## Multifunctional Remote Control

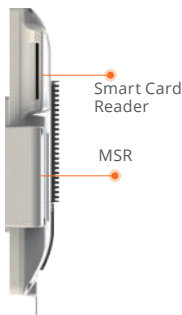
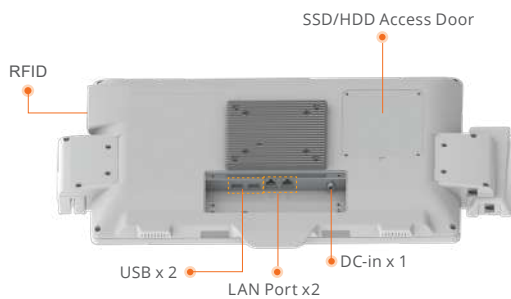
Controlling the Bedside Infotainment system has been made as simple and convenient as possible with the multifunctional remote control. The controller includes a VOIP phone as well as all buttons necessary to control the unit. An optional 2D barcode scanner is also available.



# Healthcare Infotainment All In One Computer

## ONYX-BE182

### 18.5" Fanless Bedside Computer



## Features

- Intel® J1900 2.42GHz Quad Core Processor
- 18.5" Wide Color TFT LCD Touch Terminal
- PCT for supporting Multi-Touch
- Wire Remote-Control w/ Handset Function
- VOIP Phone, Webcam, High Quality Speaker, MSR, Smart Card Reader
- Reading Light
- Extension Feature: RFID, Barcode Scanner
- IP65 Water Proof in front
- EN 60601-1, UL 60601-1

## Specifications

### Main Specifications

Processor	Intel® Celeron J1900 Quad Core 2.42GHz
System Memory	Supports DDR3 SODIMM up to 8GB
Expansion Interface	Mini Card x 2
Storage Disk Drive	2.5" SATA Hard Disk Drive/SSD x 1
Security	Trusted Platform Module, Smart Card Reader (optional), MSR (optional), RFID (optional)
Wireless communication	802.11b/g/n(optional), Bluetooth 4.0 (optional)
Speaker	3W x 2
Camera	2 Megapixels
Function Key	Speaker Volume Up/Down, LCD Brightness Up/Down
Power Requirement	DC 12~24V
OS Support	Windows 7, Windows 10, Linux

### Display

Size	18.5" (16:9) Color TFT LCD
Resolution	1366 x 768 HD / 1920 x 1080 FHD (optional)
Max. Colors	16.7M
Luminance	250 nits / 350 nits (optional)
View Angle	170(H)/160(U)
Contrast Ratio	1000:1
MTBF	30,000 Hours / 50,000 Hours
Touch Screen	Projected Capacitive Touch / 5-Wire Resistive Touch

### I/O

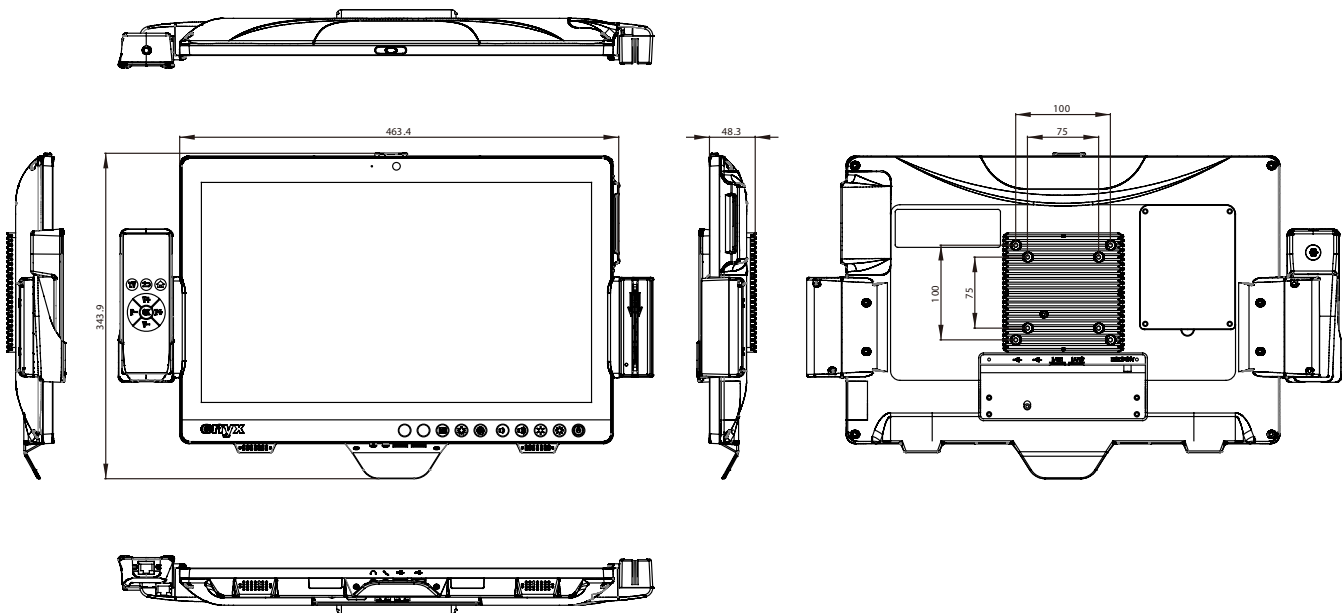
USB	USB2.0 x 4
Serial Port	Isolated RS-232 x 1 (optional)
Ethernet	Isolated Gigabit LAN x 2
Audio	Mic-in, Line-out

### Mechanical and Environmental

Infection Control	Anti-Bacteria (optional)
Power Requirement	DC 12V ~24V
Operating Temperature	0°C ~ 40°C(32°F ~ 104°F)
Storage Temperature	-20°C ~ 60°C(-4°F ~ 140°F)
Mounting	VESA 75/100 mm
Degree of protection	Front Panel: IP65; Whole Unit: IPX1
Dimension	463 x 336 x 48mm
Package Size	721 x 224 x 464 mm
Gross Weight	9kg (19.84 lb)
Net Weight	4.2 kg (9.26 lb)
Certifications	CE: EN 60601-1-2:2015(V4.0), EN 60601-1:2006/A1:2013(V3.1) FCC: Part 18 Class B UL: ANSI/AAMI ES60601-1:2012 (V3.1) cUL: CAN/CSA-C22.2 No. 60601-1:2014 (V3.1)

## 18.5" Fanless Bedside Computer

Dimension / Unit: mm



## Ordering Information

- » ONYX-BE182DT-A1-1010  
18.5" Infotainment Terminal. Intel Quad-Core J1900. 2G RAM. Fanless. Resistive Touch. Reading Light. Webcam. Smart Card Reader
- » ONYX-BE182DT-A2-1010  
18.5" Infotainment Terminal. Intel Quad-Core J1900. 2G RAM. Fanless. PCT Touch. Reading Light. Webcam. Smart Card Reader
- » ONYX-BE182DT-F1-1010  
18.5" Infotainment Terminal. Intel Quad-Core J1900. 2G RAM. Fanless. Resistive Touch. Reading Light. Webcam. Smart Card Reader. RFID
- » ONYX-BE182DT-F2-1010  
18.5" Infotainment Terminal. Intel Quad-Core J1900. 2G RAM. Fanless. PCT Touch. Reading Light. Webcam. Smart Card Reader. RFID

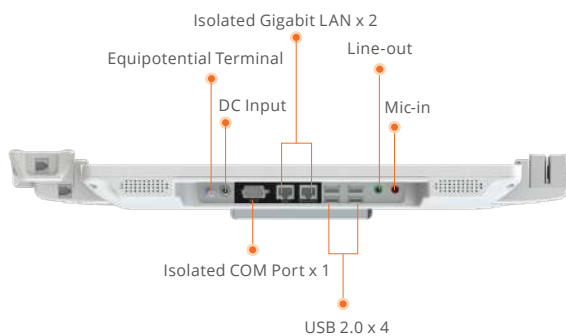
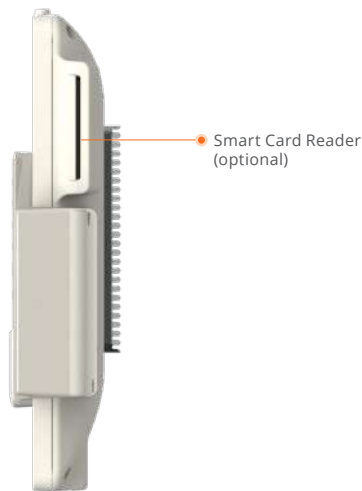
## Optional Accessories

- » 1255300657  
Medical Power Adapter, 60W, 24V
- » OPM-T018-A1  
Handset w/o Dual Kaypads , CAM & Nurse Call
- » OPM-T018-A2  
Handset with Dual Kaypads , CAM. w/o Nurse Call
- » OPM-C16W-A5  
WLAN kit. 802.11 a/b/g/n + Bluetooth 4.0LE/ 3.0HS/ 2.1EDR for BE182
- » OPM-S02C-A1  
MSR for BE381

# Healthcare Infotainment All In One Computer

## ONYX-1531

### 15.6" Fanless Bedside Computer



## Features

- Intel® Celeron J1900 2.42GHz Quad Core Processor
- 15.6" High Brightness 300-nit Full HD LCD
- Supports DDR3L SODIMM up to 8GB
- 5-wire Resistive Touch Screen / Capacitive Multi-Touch Screen
- Easy Cleaning Flat Screen
- 7 Programmable Smart Function Keys
- COM/LAN Medical Isolation
- 2.0M Pixels Camera (optional)
- Handset w/2D Barcode Scanner (optional)
- Trusted Platform Module / Smart Card Reader(optional) / MSR(optional) / RFID (optional)
- +12V to +24V wide range DC input

## Specifications

### Main Specifications

Processor	Intel® Celeron J1900 2.42GHz Quad Core Processor
System Memory	Supports DDR3L SODIMM up to 8GB
Expansion Interface	Mini Card x 1
Storage Disk Drive	2.5" SATA Hard Disk Drive/SSD x 1, mSATA SSD x 1
Security	Trusted Platform Module, Smart Card Reader (optional), MSR (optional), RFID (optional)
Wireless Communication	802.11a/b/g/n(optional), Bluetooth 4.0 (optional)
Speaker	3W x 2
Function Key	Speaker Volume Up/Down, LCD Brightness Up/Down
Power Requirement	DC 12-24V
OS Support	Windows 7, Windows10, Linux

### Display

Size / Type	15.6" LCD
Max. Resolution	1920 x 1080
Luminance(cd/m2)(TYP)	300 nits
Max. Colors	16.7 M
Viewing Angle	160° (H)/140° (V)
Contrast Ratio	700:1
Back Light Life Time	> 15,000 hours
Touch Screen	5-Wire Resistive / Capacitive Multi-Touch

### I/O

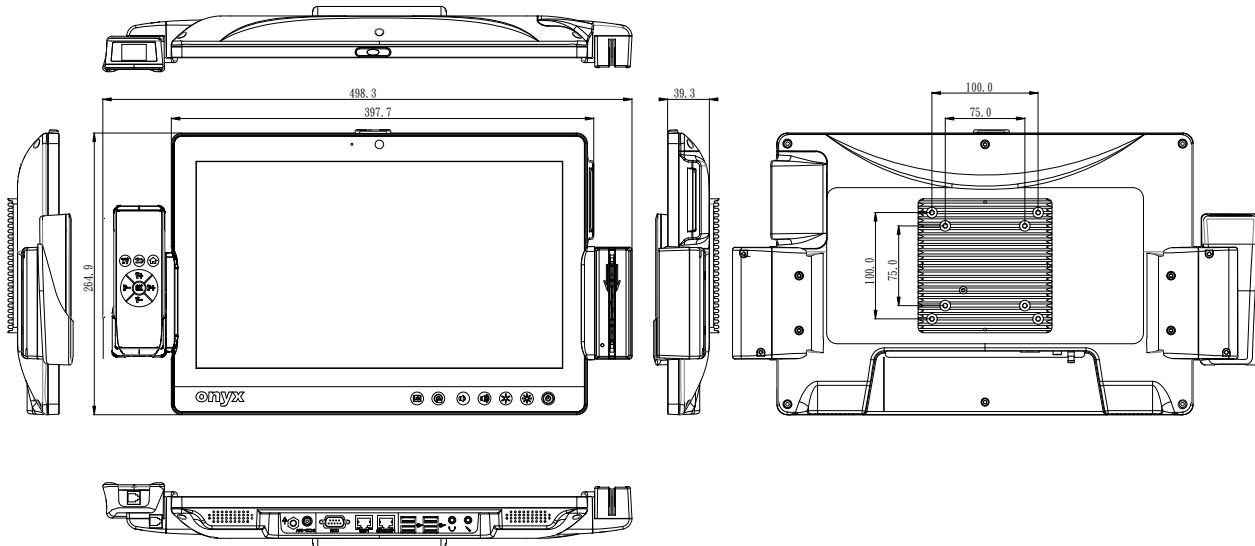
USB	USB 2.0 x 4
Serial Port	Isolated RS-232 x 1
Ethernet	Isolated Gigabit LAN x 2
Audio	Mic-in, Line-out

### Mechanical and Environmental

Power Consumption	Full loading: 19 Watts
Operating Temperature	0°C ~ 40°C(32°F ~ 104°F)
Storage Temperature	-20°C ~ 60°C(-4°F ~ 140°F)
Mounting	VESA 75/100 mm
Degree of Protection	IP65 in the front, IPX1
Dimension	398 x 265 x 39 mm
Package Size	721 x 224 x 464 mm
Gross Weight	6.5 kg (14.33lb)
Net Weight	2.8 kg (6.2lb)
Certifications	CE: EN 60601-1-2:2015(V4.0), EN 60601-1:2006/A1:2013(V3.1) FCC: Part 18 Class B UL: ANSI/AAMI ES60601-1:2012 (V3.1) cUL: CAN/CSA-C22.2 No. 60601-1:2014 (V3.1)

## 15.6" Fanless Bedside Computer

Dimension / Unit: mm



## Ordering Information

- » ONYX-1531ET-A1-1010  
Slim Medical Panel PC, 15.6" LCD, Intel Celeron J1900, 2GB RAM, DC 12-24V, Resistive Touch
- » ONYX-1531ST-A1-1010  
Slim Medical Panel PC, 15.6" LCD, Intel Celeron J1900, 2GB RAM, DC 12-24V, Capacitive Touch

## Optional Accessories

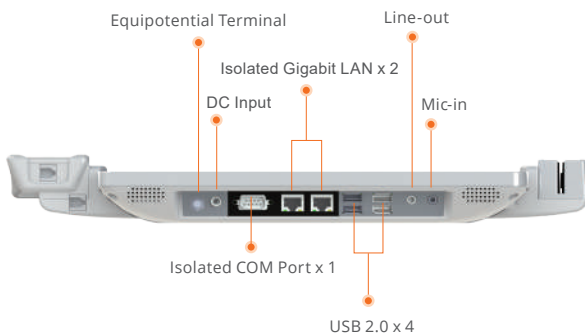
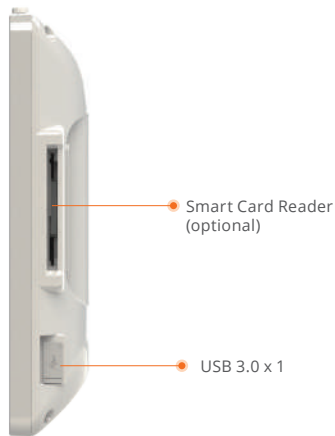
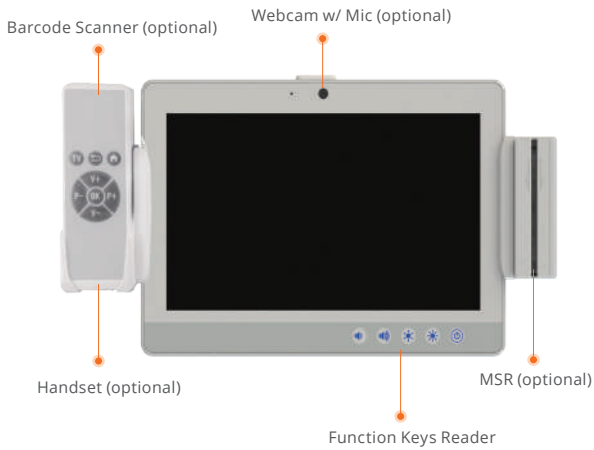
- |   |  |
|---|--|
| <ul style="list-style-type: none"> <li>» 1757306039<br/>Medical Power Adapter, 60W, 12V</li> <li>» OPM-T008-A1<br/>Smart Card Reader Kit</li> <li>» OPM-S02C-A1<br/>Magnetic Stripe Reader Kit</li> <li>» OPM-T011-A1<br/>2M Pixels Camera with Mic Kit</li> <li>» OPM-T018-A5<br/>Handset Kit</li> <li>» OPM-S04R-A1<br/>Smart Card + RFID Reader Kit</li> </ul> | <ul style="list-style-type: none"> <li>» OPM-T018-A6<br/>Handset w/Dual-Keypads, Camera</li> <li>» OPM-C16W-A5<br/>WLAN Kit, IEEE 802.11a/b/g/n + Bluetooth 4.0</li> <li>» OPM-P30D-A10<br/>Power over Ethernet kit</li> </ul> |
|---|--|



# Healthcare Infotainment All In One Computer

## ONYX-1222

### 11.6" Fanless Bedside Computer



## Features

- Intel® Celeron J1900 2.42GHz Quad Core Processor
- 11.6" High Brightness 400-nit WXGA LCD
- Supports DDR3 SODIMM up to 8GB
- 5-wire Resistive Touch Screen / Capacitive Multi-Touch Screen
- Easy Cleaning Flat Screen
- 5 Programmable Smart Function Keys
- COM/LAN Medical Isolation
- High Speed USB 3.0 Port
- 2.0M Pixels Camera (optional)
- Handset w/2D Barcode Scanner (optional)
- Trusted Platform Module / Smart Card Reader(optional) / MSR(optional) / RFID (optional)

## Specifications

### Main Specifications

Processor	Intel® Celeron J1900 Quad Core 2.42GHz
System Memory	Supports DDR3 SODIMM up to 8GB
Expansion Interface	Mini Card x 2
Storage Disk Drive	2.5" SATA Hard Disk Drive/SSD x 1
Security	Trusted Platform Module, Smart Card Reader (optional), MSR (optional), RFID (optional)
Wireless Communication	802.11a/b/g/n(optional), Bluetooth 4.0 (optional)
Speaker	1W x 2
Function Key	Speaker Volume Up/Down, LCD Brightness Up/Down
Power Requirement	DC 12~24V / Power over Ethernet
OS Support	Windows 7, Windows 10, Linux

### Display

Size / Type	11.6" LCD
Max. Resolution	1366 x 768
Luminance(cd/m2)(TYP)	220 nits
Max. Colors	16.7 M
Viewing Angle	170°(H)/170°(V)
Contrast Ratio	800:1
Back Light Life Time	> 15,000 hours
Touch Screen	5-Wire Resistive / Capacitive Multi-Touch

### I/O

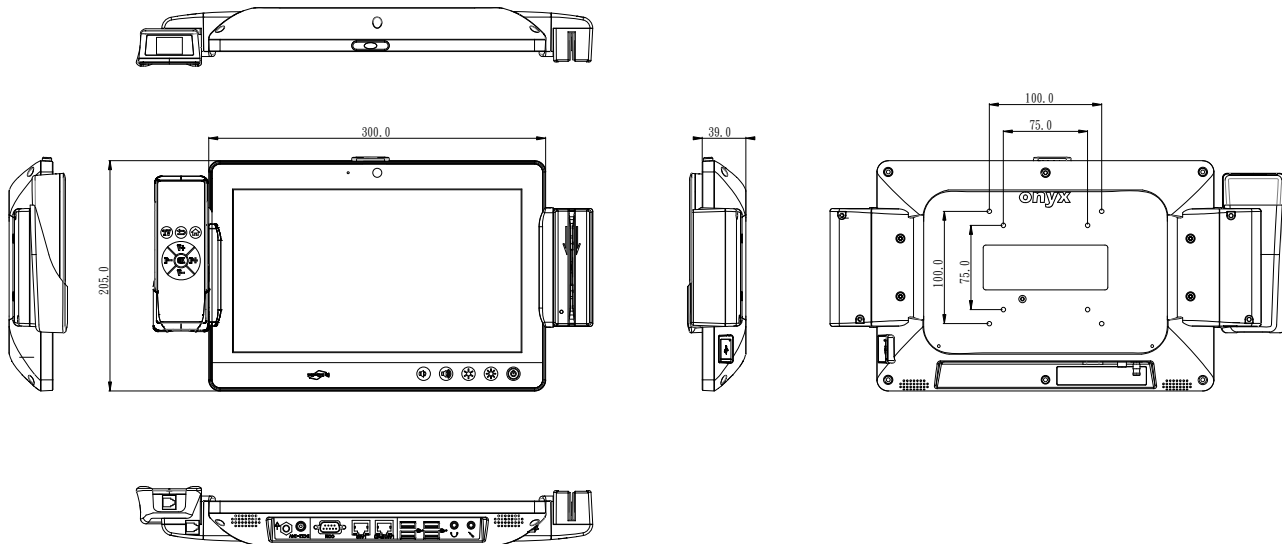
USB	USB 2.0 x 4, USB 3.0 x 1 (in side I/O)
Serial Port	Isolated RS-232 x 1
Ethernet	Isolated Gigabit LAN x 2
Audio	Mic-in, Line-out

### Mechanical and Environmental

Power Consumption	Full Loading :22Watts
Operating Temperature	0°C ~ 40°C(32°F ~ 104°F)
Storage Temperature	-20°C ~ 60°C(-4°F ~ 140°F)
Mounting	VESA 75/100 mm
Degree of Protection	IP65 in the front, IPX1
Dimension	300 x 208 x 39 mm
Package Size	540 x 230 x 370 mm
Gross Weight	4kg (8.82lb)
Net Weight	1.5kg (3.3lb)
Certifications	CE: EN 60601-1-2:2015(V4.0), EN 60601-1:2006/A1:2013(V3.1) FCC: Part 18 Class B UL: ANSI/AAMI ES60601-1:2012 (V3.1) cUL: CAN/CSA-C22.2 No. 60601-1:2014 (V3.1)

## 11.6" Fanless Bedside Computer

Dimension / Unit: mm



### Ordering Information

- » ONYX-1222ET-A1-1110  
Slim Medical Panel PC, 11.6" LCD, Intel Celeron J1900, 2GB RAM, DC 12~24V, Resistive Touch
- » ONYX-1222ST-A1-1110  
Slim Medical Panel PC, 11.6" LCD, Intel Celeron J1900, 2GB RAM, DC 12~24V, Capacitive Touch

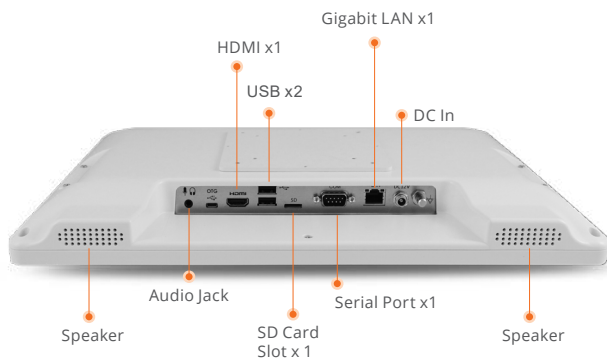
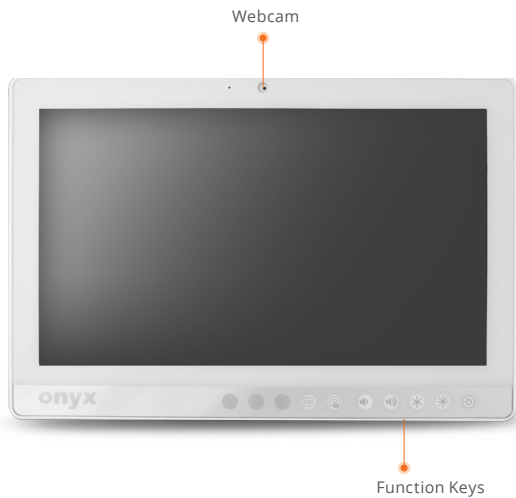
### Optional Accessories

- |   |   |
|---|---|
| <ul style="list-style-type: none"> <li>» 1757306039<br/>Medical Power Adapter, 60W, 12V</li> <li>» OPM-T010-A1<br/>Smart Card Reader Kit</li> <li>» OPM-S02C-A2<br/>Magnetic Stripe Reader Kit</li> <li>» OPM-T011-A1<br/>2M Pixels Camera with Mic Kit</li> <li>» OPM-T018-A3<br/>Handset Kit</li> </ul> | <ul style="list-style-type: none"> <li>» OPM-T018-A4<br/>Handset w/Dual-Keypads, Camera</li> <li>» OPM-C16W-A4<br/>WLAN Kit, IEEE 802.11a/b/g/n + Bluetooth 4.0LE/ 3.0HS / 2.1 EDR</li> <li>» OPM-P30D-A10<br/>Power over Ethernet kit</li> </ul> |
|---|---|

Healthcare Infotainment All In One Computer

# ONYX-BE153R

15.6" Fanless Android Bedside Computer



## Features

- Rockchip RK3288 Processor
- Android 6.0
- 15.6" Wide Color TFT LCD Touch Terminal
- PCT with Multi-Touch support
- Intuitive Front Access Function Keys
- IP65 Waterproof in front
- Optional VOIP Phone, Webcam and RFID.
- EN 60601-1, UL 60601-1

## Specifications

### Main Specifications

Processor	Rockchip RK3288 ARM Cortex-A17 QC 1.6GHz
System Memory	DDR3L 2GB
Expansion Interface	Mini PCIe Slot x 1
Storage Disk Drive	16GB eMMC
Wireless Communication	802.11 ac + BT 4.1
Camera	5 Megapixels
Speaker	3W x2
Security	13.56MHz RFID Reader (Optional)
Function Key	Power, Volume Up/Down, Brightness Up/Down, LCD On/Off, Touch On/Off
Power Requirement	DC 12V / Power Over Ethernet
OS Support	Android 6.0

### Display

Size / Type	15.6" (16:9) Color TFT LCD
Max. Resolution	1920 x 1080 FHD
Luminance(cd/m2)(TYP)	220 nits
Max. Colors	16.7 M
Viewing Angle	90 (H)/60(V)
Contrast Ratio	500:1
Touch Screen	Projected Capacitive Touch

### I/O

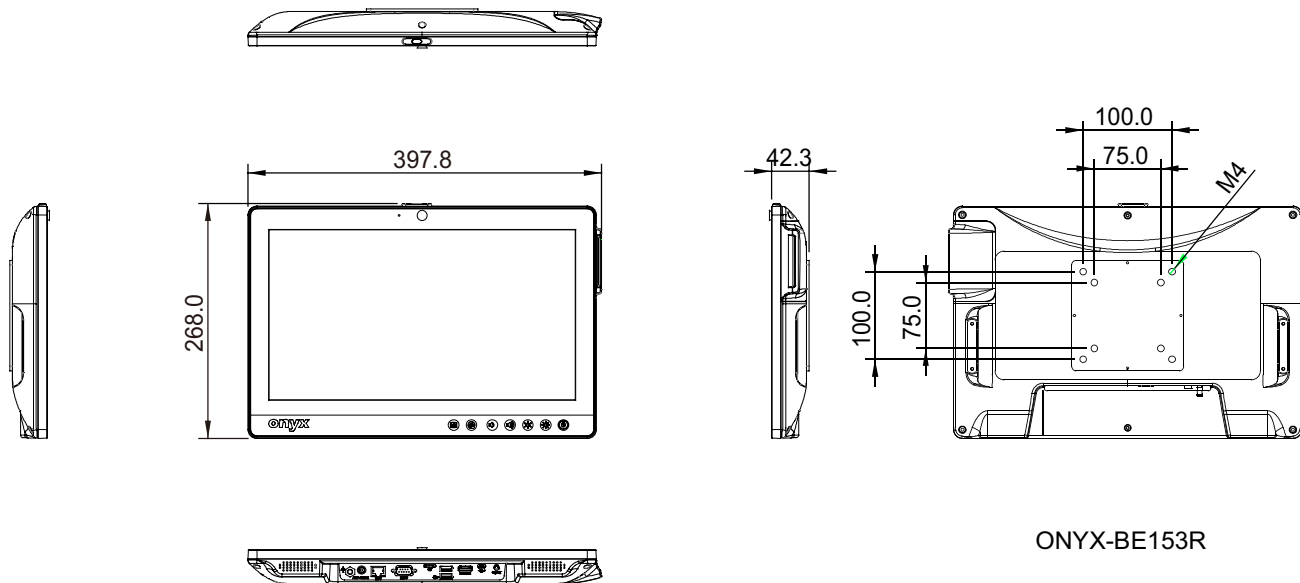
USB	USB 2.0 (Type-A) x2
Serial Port	RS-232 x1 (Optional)
Ethernet	Gigabit LAN x1 (Support Power over Ethernet)
Audio	3.5mm Phone Jack x1
Video	HDMI Out x1
SD Card Slot	Micro SD x1
DC-In	DC-In Jack x1

### Mechanical and Environmental

Infection Control	Anti-Bacteria (Optional)
Operating Temperature	0°C ~ 40°C(32°F ~ 104°F)
Storage Temperature	-20°C ~ 60°C(-4°F ~ 140°F)
Mounting	VESA 75/100 mm
Degree of Protection	Front Panel: IP65, Whole Unit: IP54
Dimension	397.8 x 268.0 x 42.3 mm
Package Size	721 x 224 x 464 mm
Gross Weight	6.5 kg (14.33lb)
Net Weight	2.8 kg (6.17lb)
Certifications	CE: EN 60601-1-2:2015(V4.0), EN 60601-1:2006/A1:2013(V3.1)
	FCC: Part 18 Class B
	UL: ANSI/AAMI ES60601-1:2012 (V3.1)
	cUL: CAN/CSA-C22.2 No. 60601-1:2014 (V3.1)

## 15.6" Fanless Android Bedside Computer

Dimension / Unit: mm



ONYX-BE153R



### Ordering Information

- » ONYX-BE153R-P01-A1-0201  
RISC Beside Terminal.RK3288.15.6.C-TS.2GB RAM.16GB eMMC.Camera.POE.Android 6.x
- » ONYX-BE153R-P01-A1-0202  
RISC Beside Terminal.RK3288.15.6.C-TS.2GB RAM.16GB eMMC.POE.Android 6.x

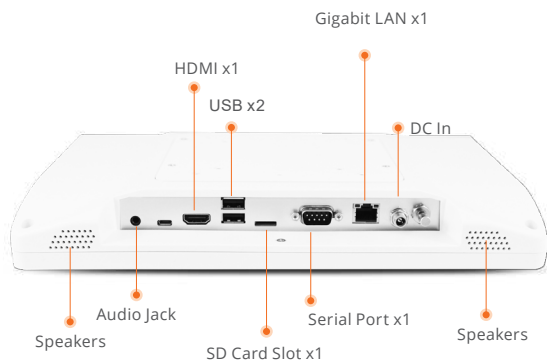
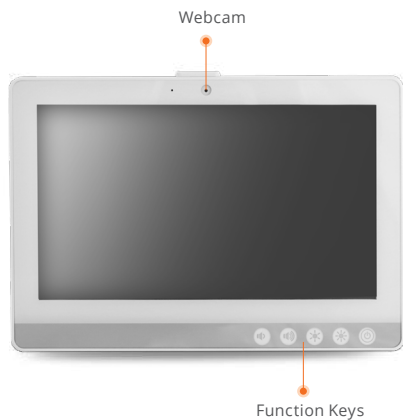
### Optional Accessories

- » 1757306039  
Medical Adapter.60W.12V/5A
- » OPM-T018-A1  
VoIP Handset w/o keypads

Healthcare Infotainment All In One Computer

# ONYX-BE122R

11.6" Fanless Android Bedside Computer



## Features

- Rockchip RK3288 Processor
- Android 6.0
- 11.6" Wide Color TFT LCD Touch Terminal
- PCT with Multi-Touch support
- Intuitive Front Access Function Keys
- IP65 Waterproof in front
- Optional VOIP Phone, Webcam and RFID
- EN 60601-1, UL 60601-1

## Specifications

### Main Specifications

Processor	Rockchip RK3288 ARM Cortex-A17 QC 1.6GHz
System Memory	DDR3L 2GB
Expansion Interface	Mini PCIe Slot x 1
Storage Disk Drive	16/64GB eMMC
Wireless Communication	802.11 ac + BT 4.1
Speaker	2W x2
Camera	5 Megapixels
Security	13.56MHz RFID Reader (Optional)
Function Key	Power, Volume Up/Down, Brightness Up/Down,
Power Requirement	DC 12V / Power Over Ethernet
OS Support	Android 6.0

### Display

Size / Type	11.6" (16:9) Color TFT LCD
Max. Resolution	1366 x 768 HD
Luminance(cd/m2)(TYP)	250 nits
Max. Colors	16.7 M
Viewing Angle	90°(H)/60°(V)
Contrast Ratio	500:1
Touch Screen	Projected Capacitive Touch

### I/O

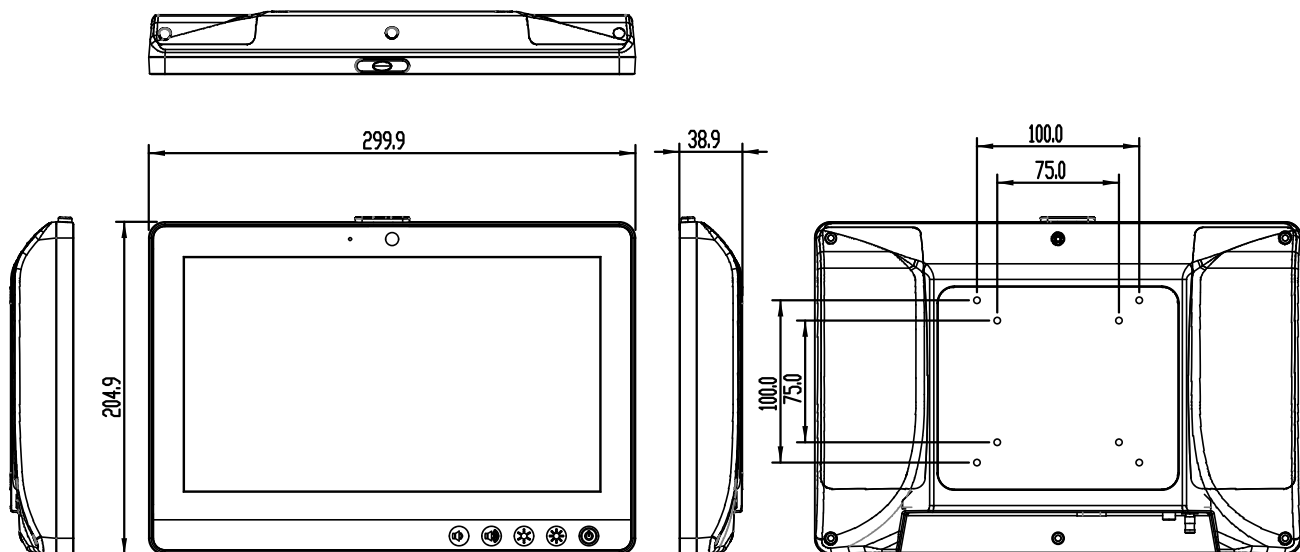
USB	USB 2.0 (Type-A) x2
Serial Port	RS-232 x1 (Optional)
Ethernet	Gigabit LAN x1 (Support Power over Ethernet)
Audio	3.5mm Phone Jack x1
Video	HDMI Out x1
SD Card Slot	Micro SD x1
DC-In	DC-In Jack x1

### Mechanical and Environmental

Infection Control	Anti-Bacteria (Optional)
Operating Temperature	0°C ~ 40°C(32°F ~ 104°F)
Storage Temperature	-20°C ~ 60°C(-4°F ~ 140°F)
Mounting	VESA 75/100 mm
Degree of Protection	Front Panel: IP65, Whole Unit: IPX1
Dimension	299.9 x 2049 x 38.9 mm
Package Size	540 x 230 x 370 mm
Gross Weight	4 kg (8.82lb)
Net Weight	1.5 kg (3.3lb)
Certifications	CE: EN 60601-1-2:2015(V4.0), EN 60601-1:2006/A1:2013(V3.1) FCC: Part 18 Class B UL: ANSI/AAMI ES60601-1:2012 (V3.1) cUL: CAN/CSA-C22.2 No. 60601-1:2014 (V3.1)

## 11.6" Fanless Android Bedside Computer

Dimension / Unit: mm



### Ordering Information

- » ONYX-BE122R-P01-A1-0201  
RISC Beside Terminal.RK3288.11.6".C-TS.2GB RAM.16GB eMMC.Camera.POE.Android 6.x
- » ONYX-BE122R-P01-A1-0202  
RISC Beside Terminal.RK3288.11.6".C-TS.2GB RAM.16GB eMMC.POE.Android 6.x

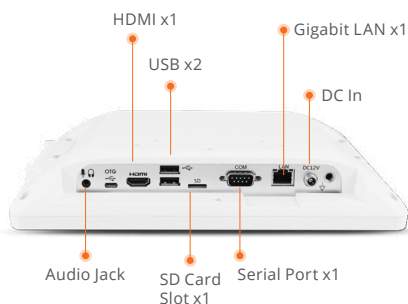
### Optional Accessories

- » 1757306039  
Medical Adapter.60W.12V/5A
- » OPM-T018-A1  
VoIP Handset w/o keypads

Healthcare Infotainment All In One Computer

# ONYX-BE102R

10.1" Fanless Android Bedside Computer



## Features

- Rockchip RK3288 Processor
- Android 6.0
- 10.1" Wide Color TFT LCD Touch Terminal
- PCT with Multi-Touch support
- Intuitive Front Access Function Keys
- IP65 Waterproof in front
- Optional VOIP Phone, Webcam and RFID
- EN 60601-1, UL 60601-1

## Specifications

### Main Specifications

Processor	Rockchip RK3288 ARM Cortex A17 QC 1.6GHz
System Memory	DDR3L 2GB
Expansion Interface	Mini PCIe Slot x 1
Storage Disk Drive	16GB eMMC
Security	13.56MHz RFID Reader (optional)
Wireless Communication	802.11 ac + BT 4.1
Speaker	2W x2
Camera	5 Megapixels
Function Key	Power, Speaker Volume Up/Down, LCD Brightness Up/Down
Power Requirement	DC 12V / Power over Ethernet
OS Support	Android 6.0

### Display

Size / Type	10.1" LCD (16:9) Color TFT LCD
Max. Resolution	1280 x 800
Luminance(cd/m2)(TYP)	400 nits
Max. Colors	16.7 M
Viewing Angle	170°(H)/170°(V)
Contrast Ratio	800:1
Touch Screen	Projected Capacitive Touch

### I/O

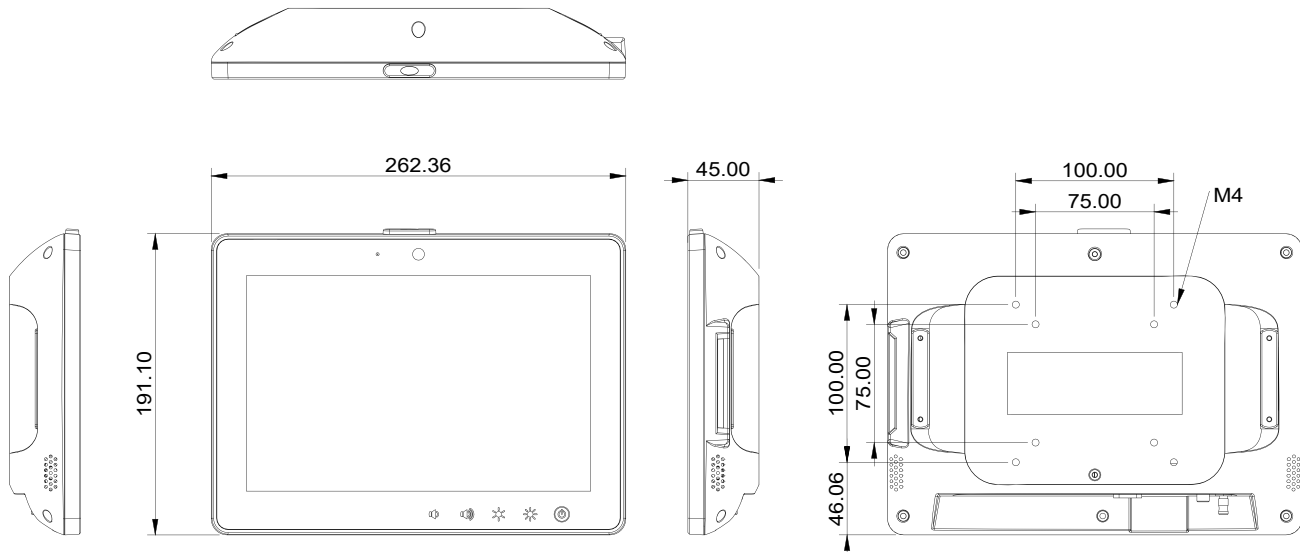
USB	USB 2.0 (Type-A) x2
Serial Port	RS-232 x1 (Optional)
Ethernet	Gigabit LAN x1 (Support Power over Ethernet)
Audio	3.5mm Phone Jack x1
Video	HDMI Out x1
SD Card Slot	Micro SD x1
DC-In	DC-In Jack x1

### Mechanical and Environmental

Infection Control	Anti-Bacteria (Optional)
Operating Temperature	0°C ~ 40°C(32°F ~ 104°F)
Storage Temperature	-20°C ~ 60°C(-4°F ~ 140°F)
Mounting	VESA 75/100 mm
Degree of Protection	Front Panel: IP65, Whole Unit: IPX1
Dimension	262.36 x 191.10 x 45 mm
Package Size	402 x 190 x 335 mm
Gross Weight	3.7 kg (8.2lb)
Net Weight	1.2 kg (2.6lb)
Certifications	CE: EN 60601-1-2:2015(V4.0), EN 60601-1:2006/A1:2013(V3.1) FCC: Part 18 Class B UL: ANSI/AAMI ES60601-1:2012 (V3.1) cUL: CAN/CSA-C22.2 No. 60601-1:2014 (V3.1)

## 10.1" Fanless Android Bedside Computer

Dimension / Unit: mm



### Ordering Information

- › ONYX-BE102R-P01-A1-0201  
RISC Beside Terminal.RK3288.10.1".C-TS.2GB RAM.16GB eMMC.Camera.POE.Android 6.x
- › ONYX-BE102R-P01-A1-0202  
RISC Beside Terminal.RK3288.10.1".C-TS.2GB RAM.16GB eMMC.POE.Android 6.x

### Optional Accessories

- › 1757306039  
Medical Adapter.60W.12V/5A
- › OPM-T018-A1



# Healthcare Infotainment Accessory Selection

## OPM-H13A-A1

## OPM-H14A-A1

Easi Wall Mount Swivel ARM



### Features

- Built in "Gas Spring" for easy movement
- Cable management
- Anti-bacteria coating (optional)

### Specifications

#### Main Specifications

	OPM-H13A-A1	OPM-H14A-A1
Feature	Long ARM	
Tile	20° up and 35° down (display) 20° up and 60° down (arm)	
Mounting Option	Wall Mount Type	
VESA	75/100mm	
Material	Aluminum alloy and plastic cover	
Pivot	180°, 370°, 270° (wall, arm, display)	
Extension	1907mm	
Capacity	1~6Kg (2.2~13.2lbs)	6~12kg (13.2~26.4lbs)

## OPM-H15A-A1

## OPM-H16A-A1

Easi Ceiling Mount Swivel ARM



### Features

- Built in "Gas Spring" for easy movement
- Cable management
- Anti-bacteria coating (optional)

### Specifications

#### Main Specifications

	OPM-H15A-A1	OPM-H16A-A1
Feature	Ceiling Mount	
Tile	20° up and 35° down (display) 20° up and 60° down (arm)	
Mounting Option	Cell Mount Type	
VESA	75/100mm	
Material	Aluminum alloy and plastic cover	
Pivot	270°, 370°, 270° (ceiling, arm, display)	
Extension	1927mm	
Capacity	1~6Kg	6~12kg

Healthcare Infotainment All In One Computer

# Healthcare Infotainment Accessory Selection

## OPM-H04A

Ergonomic Wall Mount Swivel ARM



### Features

- Durable and easy to clean
- Double Gas springs assisted for high vertical movement
- Fully cable managed

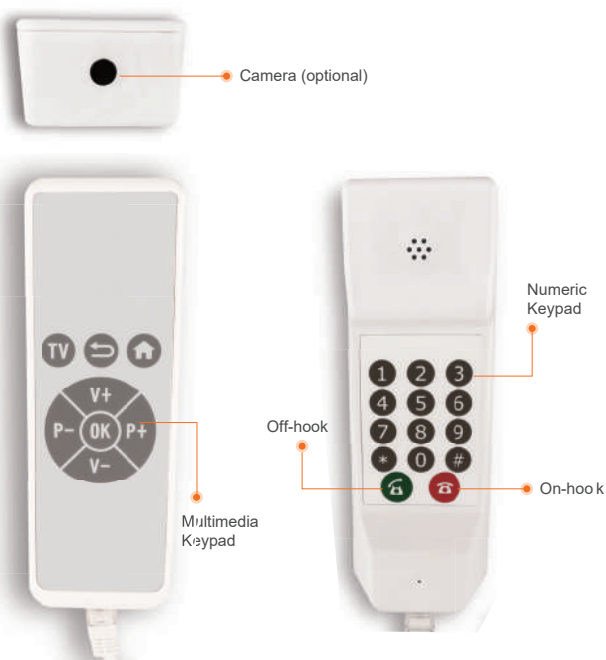
### Specifications

#### Main Specifications

Feature	Long ARM
Tilt	20° up and 40° down
Mounting Option	Wall Mount Type
Material	Aluminum alloy and plastic cover
Arm swivel	180°
Overall reach	1700mm
Capacity	1~8Kg

## OPM-T018

Smart VOIP Handset



### Features

- Extend Onyx Bedside Services closed to the Patients
- Foil keyboard designed for easy cleaning and infection control
- Integrate the hall sensor for auto detection of on and off hook event
- Lockable socket designed for the lost prevention
- Sample code and API available for easy programming of key mapping for different field applications

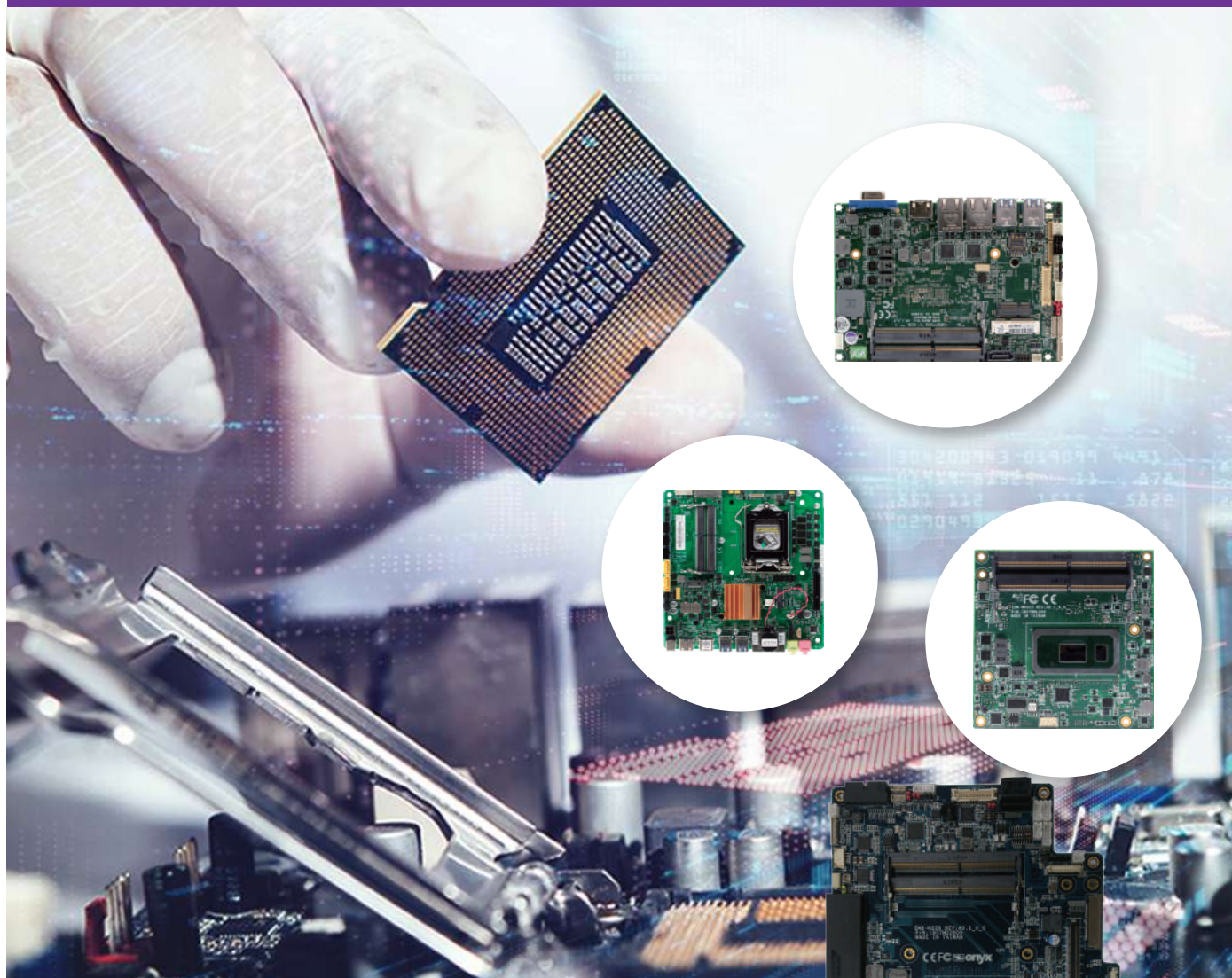
### Specifications

#### Main Specifications

Interface	USB 2.0 with RJ45 Socket
Connection Cable	41cm Curly Cable with RJ45 Plug
On-hook Key	x1
Off-hook Key	x1
Numeric Keypad	1, 2, 3, 4, 5, 6, 7, 8, 9, 0, *, #
Multimedia Keypad	Home, TV, Back, Channel Up, Channel Down, Volume Up, Volume Down, OK
Hall Sensor	x1
Loudspeaker	x1
Microphone	x1
Camera	2 Megapixels x1 (Optional)
Nurse Call Button	x1 (By Request)
Operating Temperature	0°C ~ 40°C(32°F ~ 104°F)
Storage Temperature	-20°C ~ 60°C(-4°F ~ 140°F)
Storage Humidity	10%~95%@35°C, non-condensing
Dimension	54.6(W) x 160(H) x 34.5(D) mm
Net Weight	Approx. 105g

# Motherboard

ONYX now offers industrial and medical grade motherboards in a wide range of form factors ranging from COM-Express modules to more robust Mini-ITX or 3.5" subcompact boards. Our motherboards are designed to answer the needs of general and specialized applications alike, for both stationary and on-the-go applications.



## Key Features

- »» Wide range of processors of Intel® , AMD series
- »» Flexible choosing with high performance or low power consumption
- »» Multiple and low profile form factor
- »» Full size I/O to connect to more devices
- »» Expandability with a range of connections



Motherboard

# OMB-M228

Mini-ITX Motherboard with Intel® 7th Generation Kabylake-U Processor

CE FC



## Features

- Intel® 7th Generation Kabylake-U Core i Series 14nm Processor
- Supports DDR4 SODIMM x2, up to 16GB
- Supports 4K x 2K High Resolution Display
- High speed USB 3.1 x2, USB 3.0 x4
- PCI Express[x4] x1, PCI Express[x1] , PCI x1, M.2 slot x1, Half Size Mini Card slot x1
- +12 to +24V Wide Range DC Input
- Low profile form factor for all-in-one terminal and 1U chassis.
- Medical grade UL/EN-60601 pre-certified with low EMI radiation

## Specifications

### System

Processor	Intel® 7th Generation Core i Series 14nm Processor
System Memory	DDR4 SoDIMM x2, Max. 32GB
Graphics	Intel® HD Graphics
Embedded Controller	ITE IT8528
Ethernet	Intel® Jacksonville Gigabit(with iAMT) x1, Intel® i219 Gigabit 1 x1
Audio	Realtek ALC892 HD Audio Codec
Expansion Interface	PCIe[x4] x1, PCIe[x1] or PCI x1, Half Size Mini Card x1, M.2 x1
Trusted Platform Module	TPM 1.2, Infineon SLB 9660
BIOS	AMI
OS Support	Windows 7 32/6-bit, Windows 10 32/64-bit, Linux
Power Requirement	+12V to +24V DC
Board Size	160mm x 209mm
Operating Temperature	0°C ~60°C

### Display

Video Out	LVDS x1, Display Port x2
LVDS	Up to 1920 x 1200 resolution, 18/24-bit dual channel
Display Port	Up to 3840 x 2160 resolution

### I/O

Storage	SATA 6.0Gb/s x2
USB	USB 3.1 x2, USB 3.0 x4, USB 2.0 x6
Audio	Line-out , Mic
Touch Screen	Supports 5-wire resistive touch screen
LAN	Gigabit Ethernet
Speaker	5W x2
Power Input	Screw Lock DC Jack

## Order information

- » OMB-M228-A05-0003  
Main Board.i7-7600U.DDR4.2LAN.12~24V.Rev.A0.5
- » OMB-M228-A05-0004  
Main Board.i5-7300U.DDR4.2LAN.12~24V.Rev.A0.5

Motherboard

# OHC-988

AMD Ryzen™ Embedded V1000 Medical Mini-ITX Motherboard



## Features

- AMD Ryzen Embedded V1000 Dual/Quad Core Processor
- Supports ECC/Non-ECC DDR4 SODIMM up to 32GB
- High Speed USB 3.1 x3
- PCI Express[x8] x1, M.2 slot x2, Mini Card x1
- +12V DC Input
- Low profile form factor for all-in-one terminal and 1U chassis
- Medical grade UL/EN-60601 pre-certified with low EMI radiation

## Specifications

### Main Specification

Processor	AMD Ryzen Embedded V1000 Processor
System Memory	DDR4 SODIMM x2, Max 32GB
Graphics	AMD Vega GPU with up to 11 Compute Units
Ethernet	Intel I211AT Gigabit x2
Audio	Realtek ALC662 HD Audio Codec
Expansion Interface	PCIe[x8] x1, M.2 2230(E-Key) for WiFi x1, M.2 2280(B-Key) for SSD x1, Half Size Mini Card x1
Power Requirement	+12V DC
OS Support	Windows 10, Linux
Board Size	170mm x 170mm
Operating Temperature	0°C ~60°C

### Display

HDMI	HDMI 2.0 x1
DisplayPort	DisplayPort 1.4 x2
LVDS	18/24-bit Dual Channel LVDS x1

### I/O

Storage	SATA 6Gb/s x1
USB	USB 3.1 Type-A x2, USB 3.1 Type-C x1, USB 2.0 x2
Serial Port	RS-232 x 2
Ethernet	Gigabit LAN x 2
Audio	Line out, Mic
Digital I/O	(4-in/4-out)

## Order information

» OHC-988-A11-1605  
MB.AMD V1605B.DDR4.2LAN.12V.Rev.A11

## Motherboard

**MIX-H310D1**

Mini-ITX with 8th/9th Generation Intel® Core™ LGA1151 Socket Processor



## Features

- 8th/9th Gen. Intel® Core™ LGA1151 Processor
- DDR4 SODIMM x 2, Up to 64 GB
- Two Independent Display: DP, HDMI, eDP, LVDS
- M.2 Slot (M-key, 2242) x 1, M.2 Slot (E-key) x 1
- PCIe [x4] x 1
- Low Profile
- 12V DC Power Input
- USB 3.2 Gen 1 x 4, USB 2.0 x 5

## Specifications

## System

Processor	8th/9th Gen. Intel® Core™ LGA 1151 socket Processor (formerly Coffee Lake-S), Max. 65W TDPs
Chipset	Intel® H310 Express Chipset
Memory	DDR4 2666 MHz SODIMM x 2, Up to 32GB, Non-ECC, Unbuffered Memory, Dual channel memory architecture
I/O Chipset	NCT6793D
Ethernet	Realtek® PCIe Gb LAN RTL8111H
Audio	Realtek® ALC887 with Amp.
TPM	NPCT650ABBYX TPM2.0 (default: No)
Expansion Slots	PCIe3.0 [x4] x 1, M.2 E-key(22 x 30 mm) x 1 for Wireless-wifi module (PCIe+USB)
BIOS	128Mbit Flash ROM, AMI BIOS
H/W Monitor	Temperature Monitor on CPU/Chassis, Voltage Monitor on Vcore/5V/12V, Fan Monitor on CPU/Chassis
WatchDog Timer	1~255 steps by software program
Smart Fan Control	CPU Fan/ Chassis Fan
Wake On LAN/ PXE	Yes (WOL / PXE)
Power State	S3, S4, S5

## Graphics

Graphics Chipset	Intel® UHD Graphics
HDMI	Up to 4096 x 2304@24Hz (HDMI 1.4b)
Display Port	Up to 4096 x 2304@60Hz
LVDS	Up to 1920 x 1200 @ 60 Hz, dual-channel 18/24 bit (via CH 7511)
eDP	UP to 4096 x 2304 @ 60Hz
Backlight Control	Voltage/PWM

## Environment &amp; Power &amp; ME

Power Requirement	12V DC
Operation Temperature	32°F ~140°F (0°C ~ 60°C)
Storage Temperature	-40°F ~185°F (-40°C ~85°C)
Operation Humidity	0%~90%RH, non-condensing
Certificate	CE & FCC
Form Factor	Mini-ITX: 6.7" x 6.7" (170mm x 170mm)
Weight	1.1 lb (0.5 Kg)
MTBF (Hours)	246,210

## Rear Panel I/O Ports

USB	USB 3.2 Gen 1 (5 Gbps) x 4
Display I/O	DP x 1 + HDMI x 1
Audio I/O	Mic-in x 1, Line-out x 1
LAN I/O	LAN (RJ-45) port x 2
Others	DC Jack

## Order information

- » MIX-H310D1-A10-0001  
mini-ITX.H310.2DDR4.1HDMI.1DP.2LAN.2COM.2SATA.2N  
GFF.12VDC.REV.A1.02.TPM2.0

## Optional Accessories

- » 1759200172  
(TF)CPU Cooler Fan, LGA 1156 socket, 4P, 12V, 2-Ball  
Bearing, Dynatron, K785, (2U cooler)
- » 175921156B  
(TF)CPU Cooler Fan, LGA 1156 socket, 12V, 4P, 2Ball (Tray),  
Dreamer, DSA-00273
- » COOLER-65W-01  
CPU Cooler, LGA 1156, 12V, 65W, 4P, Kingcooler, 0571-1463R
- » 1709100201  
USB 2.0 Cable (10P, 200mm, p=2.00mm, w/bracket)
- » 1700100491  
USB 2.0 Cable (2 x 5P, 490mm, p=2.00mm)
- » 1709050201  
USB 2.0 Cable (5P, 220mm, p=2.00mm)
- » 1701100206  
COM Cable (200mm, p=2.00mm)

## Motherboard

# EMB-APL3

Mini-ITX Embedded Motherboard with Intel® N3350(DC) Processor



## Order information

- » EMB-APL3-A10-3350-F1-LV  
mini-ITX.N3350\_F1.2DDR3L,VGA,HDMI.2LAN.4USB3,6U  
SB2.1SATA.2xM.2,PCIEx1.12VDC.R1.01

## Optional Accessories

- » 1709100201  
USB 2.0 Cable (10P, 200MM, p=2.00mm, w/bracket)
- » 1700100491  
USB 2.0 Cable (2 x 5P, 490mm, p=2.00mm)
- » 1709050201  
USB 2.0 Cable (5P, 220mm, p=2.00mm)
- » 1701100206  
COM Cable (200MM, p=2.00mm)
- » 125530060Z  
(TF)Power Adapter.DC.100/240V.12V.5A.60W.180D.W/  
Lock.FSP.FSP060-DHAN3/9NA0608078

## Features

- DDR3L 1333/1600/1867 MHz SODIMM x 2, Up to 8 GB
- Three Independent Display: VGA x 1, HDMI/DP x 1, LVDS/eDP x 1
- Realtek 8111H, Gigabit Ethernet x 2
- COM Port x 6 (RS-232 x 5, RS-232/422/485 x 1)
- M.2 Slot (M-key) x 1, M.2 Slot(E-key) x 1, PCIe2.0 [x1] x 1
- 12V DC Power Input
- Low Profile

## Specifications

### System

Processor	N3350, (2C @ 2.40GHz CPU [Burst Mode], 650MHz GFX [Turbo], ~6W TDP)
Chipset	Intergrated into SoC
Memory	DDR3L 1333/1600/1867MHz SODIMM x 2, max. 8GB, non-ECC, un-buffered memory
I/O Chipset	NCT6116D
Ethernet	Realtek® PCIe Gb LAN 8111H x 2
Audio	Realtek® ALC3236-CG
Expansion Slots	PCIe2.0 [x1] x 1, M.2 M key (22 x 42mm) x 1, for SATA M.2 E Key (22 x 30mm) x 1, for PCIe
BIOS	128Mbit Flash ROM x 1, AMI BIOS
H/W Monitor	Temperature Monitor on CPU/System, Voltage Monitor on Vcore/5V/12V, Fan Monitor on CPU/Chassis
WatchDog Timer	1~255 steps by software program
Smart Fan Control	Chassis Fan (Fanless)
Wake On LAN/ PXE	Yes (WOL / PXE)
Power State	S3, S4, S5

### Graphics

Graphics Chipset	Intel® HD Graphics
Graphics Multi Display	Three Independent Display
VGA	Up to 1920 x 1200 @ 60 Hz
HDMI	Up to 3840 x 2160 @30 Hz(HDMI 1.4b)
Display Port	Up to 4096 x 2160 @ 24 Hz / 3840 x 2160 @ 60 Hz (Colay with VGA)
LVDS	Up to 1920 x 1200 @60Hz, dual-channel 18/24 bit (via PS8625) (colay with eDP)
eDP	Up to 4096 x 2160 @60Hz
Backlight Control	Voltage/PWM

### Environment & Power & ME

Power Requirement	12V DC jack (screw type) 4-pin internal power connector
Operation Temperature	32°F ~140°F (0°C ~ 60°C)
Storage Temperature	-40°F ~185°F (-40°C ~85°C)
Operation Humidity	0%~90%RH, non-condensing
Certificate	CE & FCC
Form Factor	Mini-ITX: 6.7" x 6.7" (170mm x 170mm)
Weight	1.1 lb (0.5 Kg)
MTBF (Hours)	230,820

### Rear Panel I/O Ports

USB	USB 3.2 Gen 1 (5 Gbps) x 4
Display I/O	VGA/DP x 1, HDMI x 1
Audio I/O	Audio I/O
LAN I/O	LAN (RJ-45) port x 2
Others	DC power jack x 1

Motherboard

# GENE-BT07

3.5" SubCompact Board with Intel® Celeron® J1900 Processor SoC



## Order information

**» GENE-BT07-A11-0001**3.5".Board.J1900.VGA/LVDS/eDP.9USB2.0.6COM.12V  
DC.Rev A1.1

## Optional Accessories

**» 1709100254**(TF)PHONE JACK Cable. 3P AUDIO JACK. 1\*10P 1. 25mm  
HOUSING(F). 25cm**» 1700050207**(TF)USB CABLE. 1\*5P Pitch=1. 25mm Housinh. 20cm. for  
PFM-945C**» 1701090150**(TF)Flat Cable. D-Sub 9(M). 9P Housing. 9P 1. 25mm  
pitch Housing. 15cm**» 1704150153**

(TF)CRT CABLE. 1\*15P Pitch=1. 25mm. Housing. 15cm

**» GENE-BT07-HSK03**

Heat Sink.60\*60\*25mm.Silver.GENE-BT07

## Features

- Intel® Celeron® J1900 Processor SoC
- DDR3L 1333 SODIMM Memory Max. up to 8GB
- VGA, LVDS, eDP (optional, support by BOM change)
- 2 CH Audio, Support 8ohm/2W Speaker
- 9 USB 2.0 , 6 COM
- Mini-Card Slot x 1 (Full-size), mSATA x 1(Half-size)
- DC 12V AT/ATX Mode

## Specifications

### System

Form Factor	3.5" SubCompact Board
CPU	Intel® Celeron® J1900 Processor SoC
CPU Frequency	Up to 2.0 GHz
Chipset	Intel® Celeron® J1900 Processor SoC
Memory Type	DDR3L 1333MHz SODIMM x 1
Max. Memory Capacity	Up to 8GB
BIOS	UEFI
Wake on LAN	Yes
Watchdog Timer	255 Levels
Power Requirement	+12V
Power Supply Type	AT/ ATX Mode
Power Consumption (Typical)	Intel® Celeron® J1900, DDR3L 1600MHz 8G, 1.06A@+12V
Dimension (L x W)	5.75" x 4" (146mm x 101.7mm)
Operating Temperature	32°F ~ 140°F (0°C ~ 60°C)
Storage Temperature	40°F ~ 176°F (-40°C ~ 81°C)
MTBF (Hours)	204,000
Certification	CE/FCC

### Display

VGA/LCD Controller	Intel® Celeron® J1900 Processor SoC
Video Output	VGA, LVDS, eDP (optional, support by BOM change)
Backlight inverter supply	18/24-bit dual channel LVDS LCDs

### I/O

Ethernet	RTL8111E, RJ-45 x 2
Audio	Realtek ALC892 CODEC, MIC-In AMP TI3113, Support 8ohm/4W speaker
USB Port	USB2.0 x 9
Serial Port	RS-232 x 6
SSD	mSATA x 1 (half size)
Expansion Slot	Mini-Card x 1 (Full-size)
Touch	Reserve USB2.0 x 1 connector to expend



## Motherboard

# GENE-WHU6

3.5" SubCompact Board with 8th Generation Intel® Core™ i7/i5 Processor SoC



## Order information

- » GENE-WHU6-A10-0002  
3.5".i5-8365UE.DDR4.VGA.HDMI.LVDS.2Gbe.4USB.2COM.  
mSATA.M.2.B/E Key.9~36V.Rev A1.0
- » GENE-WHU6-A10-0003  
3.5".i7-8665UE.DDR4.VGA.HDMI.LVDS.2Gbe.4USB.2COM.  
mSATA.M.2.B/E Key.9~36V.Rev A1.0

## Optional Accessories

- » 1702150155  
(TF)Power Cable.15P SATA(F).2P 2.0mm Housing(PH).15cm
- » 1709070500  
(TF)SATA CABLE.7P Pitch 1.27mm.50cm
- » 1702002010  
(TF)Power CABLE.1\*2P Pitch=5.0mm Housing.10cm.for PFM-945C.(12V only)
- » 170220020B  
(TF)Power Cable.20P ATX(M).4P 5.08mm Housing(F).+3P 2.5mm Housing (XH).20cm
- » 1701090150  
(TF)Flat Cable.D-Sub 9(M).9P Housing.9P 1.25mm pitch Housing.15cm
- » 1700050207  
(TF)USB CABLE.1\*5P Pitch=1.25mm Housinh.20cm.for PFM-945C
- » GENE-WHU6-FAN01  
CPU Cooler.146x78.6x23.5mm.3P.3600RPM.for GENE-WHU6 Housing.15cm
- » GENE-WHU6-HSK02  
Heat Sink.72\*28\*10mm.GENE-WHU6.SODIMM DDR4

## Features

- Intel® Core™ i7/i5/Processor SoC
- Non-ECC DDR4 SODIMM Slot x 2, up to 64GB
- LVDS/eDP x 1 (Default: LVDS), VGA x 1, HDMI 2.0 x 1
- GbE x 2, SATA III x 1, DIO x 8bit
- USB 3.2 Gen 2 x 4 (Up to Gen 2), RS-232/422/485 x 2
- Full size mSATA/mPCIe Slot x 1 (With Nano-SIM)
- M.2 2280 B key x 1, M.2 2230 E key x 1
- Wide DC Input 9-36V (Optional: 12V Only)

## Specifications

### System

Form Factor	3.5" SubCompact Board
CPU	Intel® 8th Generation Core™ i7/i5/i3/Celeron SoC i7-8665UE (4C, 1.7GHz, up to 4.4GHz) i5-8365UE (4C, 1.6GHz, up to 4.1GHz)
CPU Frequency	Up to 4.4 GHz
Chipset	8th Generation Intel® Processor SoC
Memory Type	2400 MHz Dual Channel DDR4 (Non-ECC) SODIMM x 2
Max. Memory Capacity	Up to 64GB
BIOS	UEFI
Wake on LAN	Yes
Watchdog Timer	255 Levels
Power Requirement	+9-36V (Optional: +12V)
Power Supply Type	AT/ATX
Power Consumption (Typical)	Intel® i7-8665UE, DDR4 2400 MHz 16GB, 2.8A@ +12V
Dimension (L x W)	5.75" x 4" (146mm x 101.7mm)
Operating Temperature	32°F ~ 140°F (0°C ~ 60°C)
Storage Temperature	-40°F ~ 176°F (-40°C ~ 81°C)
Operating Humidity	0% ~ 90% relative humidity, non-condensing
MTBF (Hours)	354,194
Certification	CE/FCC

### Display

VGA/LCD Controller	Intel® 8th Generation Core™ i7/i5/ SoC
Video Output	LVDS/eDP x 1 (Default: LVDS), VGA x 1, HDMI 2.0 x 1
Backlight inverter supply	Yes

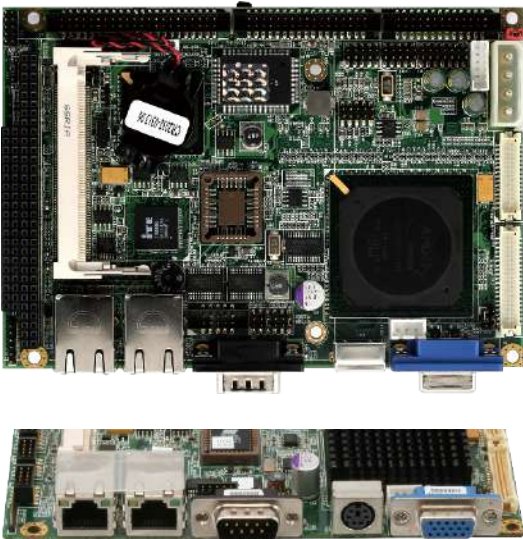
### I/O

Ethernet	Intel® i210/i211 & i219, 10/100/1000Base, RJ 45 x2
Audio	High Definition Audio Interface
USB Port	USB 3.2 Gen 2 x 4/2.0 x 2 (Up to Gen2)
Serial Port	RS-232/422/485 x 2
HDD Interface	SATA 3.0 x 1 +5V SATA power connector x 1
SSD	Full size mSATA/mPCIe x 1 with NANO-SIM (mSATA as default, select by BIOS) M.2 2280 B key (PCI-e as default, SATA select by BIOS)
Expansion Slot	M.2 2230 E key x 1 (For WIFI/BT, PCIe/USB signal only) SMBUS/I2C/LPC/eSPI x 1
DIO	8 Bit
SIM	x 1 ( NANO-SIM)
Touch	x 1

## Motherboard

**GENE-5315 Rev. A**

3.5" SubCompact Board with AMD Geode™ LX Series Processor



## Features

- Onboard AMD Geode™ LX800 Processor
- AMD Geode™ LX + CS5536
- DDR 333 MHz SODIMM, Up to 1 GB or  
DDR 400 MHz SODIMM, Up to 512 MB
- 10/100Base-TX Ethernet x 2, RJ-45 x 2
- Up to 24-bit Single Channel LVDS/ TTL LCD & CRT
- AC97 Codec 2CH Audio
- EIDE x 1, Floppy Disk Drive x 1, CompactFlash™ x 1
- COM x 2, Parallel x 1, USB2.0 x 4, 8-bit Digital I/O
- Mini-PCI And PC/104 Expansions
- +5V Only Operation

## Specifications

## System

Form Factor	3.5" SubCompact Board
CPU	Onboard AMD Geode™ LX 800
CPU Frequency	500 MHz
Chipset	AMD Geode™ LX
Memory Type	DDR333 SODIMM x 1 (DDR400 optional)
Max. Memory Capacity	1 GB
BIOS	Award 1 MB
Wake on LAN	Yes
Watchdog Timer	255 Levels
Power Requirement	+5V
Power Supply Type	AT/ ATX
Power Consumption (Typical)	LX 800 500 MHz, DDR400 1 GB, 1.17A @ +5V
Dimension (L x W)	5.75" x 4" (146 mm x 101.6 mm)
Operating Temperature	32°F ~ 140°F (0°C ~ 60°C), -4°F ~ 158°F (-20°C ~ 70°C) for WiTAS 1
Storage Temperature	-40°F ~ 176°F (-40°C ~ 80°C)
Operating Humidity	0% ~ 90% relative humidity, non-condensing
MTBF (Hours)	90,000
Certification	CE/FCC

## Display

VGA/LCD Controller	AMD Geode™
Video Output	CRT, TTL LCD, LVDS LCD
Backlight inverter supply	Up to 24-bit single channel TTL/LVDS

## I/O

Ethernet	10/100Base-TX x 2, Realtek RTL 8139DL
Audio	High Definition Audio Interface
USB Port	USB2.0 x 4
Serial Port	RS-232 x 1, RS-232/422/485 x 1
Parallel Port	SPP/EPP/ECP x 1
HDD Interface	UDMA33 x 1
FDD Interface	FDD x 1
SSD	CompactFlash™
Expansion Slot	Mini-PCI, PC/104
DIO	8-bit

## Order information

- » GENE-5315-A13  
3.5" Board. LX800 500MHz. 24-bit LCD. DDR. LAN. Audio. 2COM. USB. CF. PC/104. M-PCI. AT/ATX. Rev. A1.3
- » GENE-5315-A13-01  
3.5" Board. LX800 500MHz. 18-bit LCD. DDR. LAN. Audio. 2COM. USB. CF. PC/104. M-PCI. AT/ATX. Rev. A1.3

## Optional Accessories

- » 1702200205  
Conversion Cable for ATX Power Supply, Length 20cm
- » 1709100208  
USB Cable, Length 20cm
- » 1701100206  
COM Port Cable, 9P DB Male, Length 20cm
- » 1701260201  
Parallel Port Cable, Length 20 cm

## Motherboard

# COM-WHUC6

COM Express Compact Type 6 with 8th Gen Intel® Core™ ULT SoC



## Features

- 8th Generation Intel® Core™/ULT Processor
- DDR4 socket x 2, non-ECC Support up to 64GB
- Gigabit Ethernet x 1
- VGA, 18/24b 2ch LVDS LCDs or eDP, DDIx2 (DDI2 share with VGA)
- High Definition Audio Interface
- SATA3 x 2, eMMC onboard (up to 64GB)
- USB 3.2 Gen 2 x 4, USB2.0 x 8
- PCI-Express [x1] x 8 lanes available, 5 Devices max.
- GPIO x8, SMBus, I2C, LPC
- COM Express Type 6, Compact size, 95mm x 95mm

## Specifications

### System

Form Factor	COM Express Compact size, 95mm x 95mm
CPU	8th Generation Intel® Core™ ULT Series Processor
Chipset	Onboard 8th Generation Intel® Core™ SoC
Memory Type	SO-DIMM DDR4 2400 Socket x2
Max. Memory Capacity	Up to 64GB
BIOS	AMI BIOS, Legacy free BIOS
Wake on LAN	Yes
Watchdog Timer	255 Levels
Power Requirement	Standard: +12V
Power Supply Type	AT/ ATX Mode
Power Consumption (Typical)	12V, estimate 18W with i7-8655UE @ 100% loading
Dimension (L x W)	3.75" x 3.75" (95mm x 95mm)
Operating Temperature	32°F ~ 140°F (0°C ~ 60°C)
Storage Temperature	-40°F ~ 176°F (-40°C ~ 81°C)
Operating Humidity	0% ~ 90% relative humidity, non-condensing
Certification	CE/FCC Class A

### Display

VGA/LCD Controller	Intel® UHD Graphics 620 / 610
Video Output	DDI0: LVDS, (eDP by BOM change) DDI1: Display Port DDI2: Default VGA, (DP by SW1&2 selected)
LVDS Interface	Support 18-bit and 24-bit dual channel

### I/O

Ethernet	Intel® I219 GbE x 1
Audio	HD Audio x 1
USB Port	USB 2.0 x 8, USB 3.2 Gen 2 x 4
Serial Port	2-wire UART x 2 (TX/RX)
HDD Interface	SATA3 x 2 as default (up to 3)
Onboard Storage	eMMC x 1 (up to 64GB)
Expansion Slot	PCIe[x1] x 4 + PCIe[x4] x 1 (default), I2C, LPC, SMBus
GPIO	8 Bit

## Order information

- » COM-WHUC6-A10-0001  
COMe T6.i7-8665UE 4c/8t 1.7GHz.2xDDR4 skt.DDI.GbE. PCIe.64GB eMMC.Rev A1.0
- » COM-WHUC6-A10-0002  
COMe T6.i5-8365UE 4c/8t 1.6GHz.2xDDR4 skt.DDI.GbE. PCIe.64GB eMMC.Rev A1.0

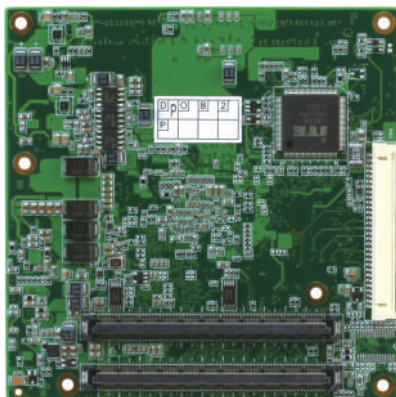
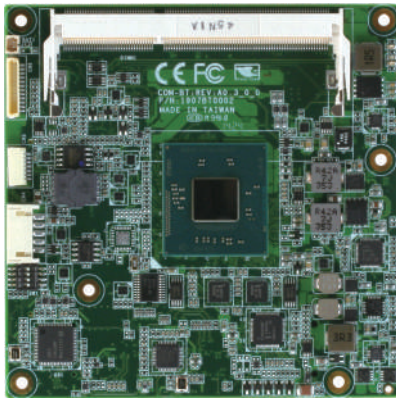
## Optional Accessories

- » ECB-920A-A11-0001  
COMe T6/10.Carrier Board.ATX.GbE.8USB, 2COM.4SATA.PCIe.AT/ATX Rev A1.1
- » COM-WHUC6-HSP01  
Heat Spreader, 95 x 95 x 11mm, Black, COM-WHUC6
- » COM-WHUC6-FAN01  
CPU Cooler, 95 x 95 x 36mm, Silver, FAN + Heat Sink for COM-WHUC6
- » COM-FAN02  
CPU Cooler, 95 x 95 x 26.5mm, Silver, use w/HSP

## Motherboard

**COM-BT**

COM Express Type 6 CPU Module with Onboard Intel® Atom™/ Celeron® Processor SoC

**Order information**

## » COM-BT-A30-0001

COM Express.Type 6.N2930.4C/1.83 GHz.DDR3L.RTC. GbE.USB3.0.SATA.Rev.A3.0

## » COM-BT-A30-0003

COM Express.Type 6.E3845. 4C/1.91 GHz.DDR3L.RTC. GbE. USB3.0.SATA.Rev.A3.0

**Optional Accessories**

## » ECB-920A-A11-0001

COMe T6/10.Carrier Board.ATX.GbE.8USB, 2COM.4SATA. PCIe.AT/ATX Rev A1.1

## » PER-A126

Heat Spreader, For COM-BT, Onboard CPU

## » COM-HSK02

Heat Sink, 95 x 95 x 26.5mm, Silver, use w/HSP

## » COM-FAN02

CPU Cooler, 95 x 95 x 26.5mm, Silver, use with HSP

**Features**

- Intel® Atom™/ Celeron® Processor SoC
- DDR3L 1066/1333 MHz SODIMM x 1, Up to 8 GB
- Gigabit Ethernet with Intel® Controller
- CRT, Up to 24-bit Dual-channel LVDS, eDP (Optional), up to DDI x 2 (Share w/ eDP LVDS)
- High Definition Audio Interface
- SATA 3.0 Gb/s x 2
- USB 2.0 x 7, USB 3.2 Gen 1 x 1
- PCI-Express [x1] x 3
- COM Express Compact Module, Pin-out Type 6, COM.0 Rev. 2.1
- Supports Industrial Temperature

**Specifications****System**

Form Factor	COM Express, Compact, Pin-out Type 6
CPU	Onboard Intel® Atom™ SoC
CPU Frequency	Intel® Atom® E3845 / Celeron® N2930
Chipset	Intel® Atom™ SoC
Memory Type	DDR3L 1066/1333 MHz SODIMM x 1
Max. Memory Capacity	8 GB
BIOS	AMI BIOS
Wake on LAN	Yes
Watchdog Timer	255 Levels
Power Requirement	Standard: +12V
Power Supply Type	AT/ ATX
Power Consumption (Typical)	0.92A@12V, full load, J1900 0.48A@12V, full load, N2807
Dimension (L x W)	3.74" x 3.74" (95mm x 95mm)
Operating Temperature	32°F ~ 140°F (0°C ~ 60°C) -40°F ~ 185°F (-40°C ~ 85°C) optional
Storage Temperature	-40°F ~ 176°F (-40°C ~ 80°C)
Operating Humidity	0% ~ 90% relative humidity, non-condensing
MTBF (Hours)	80,000
Certification	CE/FCC

**Display**

VGA/LCD Controller	Intel® Atom™ SoC
Video Output	CRT, LVDS LCD, DDI

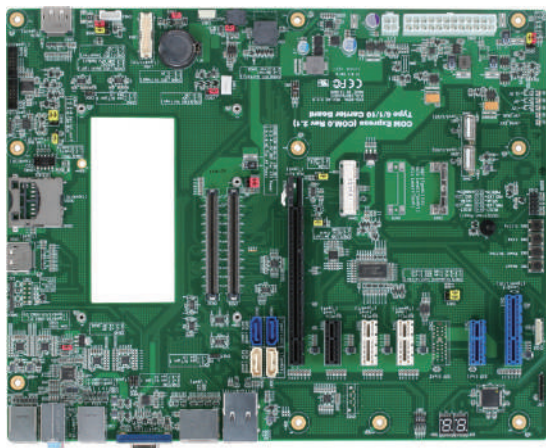
**I/O**

Ethernet	Intel® I211, Gigabit Ethernet
Audio	High Definition Audio Interface
USB Port	USB 2.0 x 7, USB 3.2 Gen 1 x 1
Serial Port	Tx/Rx x 2
HDD Interface	SATA x 2
Expansion Slot	PCIe [x1] x 3 (up to 3 devices) LPC SMbus I2C
GPIO	GPIO 8-bit

Motherboard

# ECB-920A

Universal Type 1/6/10 Carrier Board



## Features

- Supports COM Express Module Rev. 2.1 Pin-out Type 1/6/10
- Supports Gigabit Ethernet, RJ-45
- Up to 24-bit Dual Channel LVDS Connector, DP, VGA
- High Definition Audio
- SATA Port x 4
- USB 2.0 x 8, USB 3.2 Gen 1 x 4
- ATX Power Input
- LPC Connector x 1, ATX Form Factor

## Specifications

### System

Form Factor	ATX
COM Express Connector	x 2
Front Panel Control	10-pin (5x2) header
Ethernet	10/1000/1000Base-TX, RJ-45 x 1 (From CPU module)
Expansion Interface	PCI-Express [x1] slot x 4 (3 by PCI-E[x1] x 1 pin-out, 1 by SIO pin-out) PCI-Express [x4] slot x 1 PCI-Express [x16] slot x 1 Mini-Card slot x 1
Power Supply Type	ATX
CMOS Battery	RTC battery socket x 1
Board Size	12" x 9.6"(304mm x 244mm)
Gross Weight	1.32 lb (0.6 kg)
Operating Temperature	32°F ~ 140°F (0°C ~ 60°C)
Storage Temperature	-40°F ~ 185°F (-40°C ~ 85°C)
Operating Humidity	0% ~ 90% relative humidity, non-condensing
MTBF (Hours)	75,000

### Display

DVI/CRT	DB15 connector x 1
LVDS	30-pin (15 x 2) Dual-Channel LVDS connector x 1
DDI	DP connector x 4 (Dual x 1, Single x 2)

### I/O

Storage	SATA x 4
Serial Port	2-wire RS-232 port x 2 (10-pin (5x2) box header x 2)
USB	Type A connector x 4 (USB 3.2 Gen 1) for Type 6, USB 2.0 port x 4
Audio	Audio Jack, supports Line-in, Line-out, Microphone
Debug LED	80 PORT
I2C	1
GPIO	GPIO 8bit

## Order information

» ECB-920A-A11-0001

COMe T6/10.Carrier Board.ATX.GbE.8USB, 2COM.4SATA.  
PCIe.AT/ATX Rev A1.1