

LED Slim Panel EcoMax Power IV

Features

- As thin as 9mm
- Long lifespan combined with high flux and efficacy
- Multiple sizes and installation possibilities
- IP44 protection rating

Benefits

- Sleek and thin panel can be perfectly merged with ceiling once installed
- Build a comfortable lighting environment of easier maintenance and more energy-saving
- Different product sizes for different application, fitted with various accessories

Application



Library



Shopping Mall



Office



Hospital



Conference Room



School

Specification

Item Code	Item Description	Power (W)	Power Factor	Lumen (lm)	Efficacy (lm/W)	Input Current (mA)	Lifetime (L70B50)	MOQ (pcs)
542004059010	LEDSPanelRc-SL Sq595-40W-3000-WH	40	0.95	4000	100	175	30000	1000
542004059110	LEDSPanelRc-SL Sq595-40W-4000-WH	40	0.95	4000	100	175	30000	1000
542004059210	LEDSPanelRc-SL Sq595-40W-6500-WH	40	0.95	4000	100	175	30000	1000
542004059310	LEDSPanelRc-SL Sq595-40W-3000-WH IP44	40	0.95	4000	100	175	30000	1000
542004059410	LEDSPanelRc-SL Sq595-40W-4000-WH IP44	40	0.95	4000	100	175	30000	1000
542004061510	LEDSPanelRc-SL Sq595-40W-6500-WH IP44	40	0.95	4000	100	175	30000	1000
542004059510	LEDSPanelRc-SL Re295-40W-3000-WH	40	0.95	4000	100	175	30000	1000
542004059610	LEDSPanelRc-SL Re295-40W-4000-WH	40	0.95	4000	100	175	30000	1000
542004059710	LEDSPanelRc-SL Re295-40W-6500-WH	40	0.95	4000	100	175	30000	1000
542004059810	LEDSPanelRc-SL Sq603-40W-3000-WH	40	0.95	4000	100	175	30000	1000
542004059910	LEDSPanelRc-SL Sq603-40W-4000-WH	40	0.95	4000	100	175	30000	1000
542004060010	LEDSPanelRc-SL Sq603-40W-6500-WH	40	0.95	4000	100	175	30000	1000

Accessory

Item Code	Item Description	Packaging Unit		MOQ
		Carton Dimensions(mm) (LxWxH)	Note	
82000000110	LEDSPanel 40W Driver 220V	535*358*270	160pcs/CTN	1000
542098030400	LEDSPANEL Clip 595	350*220*165	4pcs/bag; 30/CTN	1000
542098030300	LEDSPANEL Clip 295	350*220*165	6pcs/bag; 30/CTN	1000
542098030200	LEDSPANEL Suspended Rope 595	360*340*240	2pcs/bag;36pcs/CTN	1000
542098030100	LEDSPANEL Suspended Rope 295	360*340*240	3pcs/bag24pcs/CTN	1000
542098030000	LEDSPanelRc-SL Sq595-Surface Module-WH	615*270*270	1pcs/box;25pcs/CTN	1000

Technical Specifications	
CRI	≥80
Colour Consistency (SDCM)	6
Housing Colour	White
On/Off Cycles	100,000
Dimmable	NO
Beam Angle(°)	120°
IP	IP20/IP44 (IP44 only front)
IK	IK02
Driver integrated (Yes/No)	No
Glow Wire Test	650°C
Weight (pc/kg)	595*595 2.01
	295*1195 2.13
	603*603 2.01

Electrical Supply	
Frequency (Hz)	50/60
Voltage (V)	220-240V
AC/DC	AC

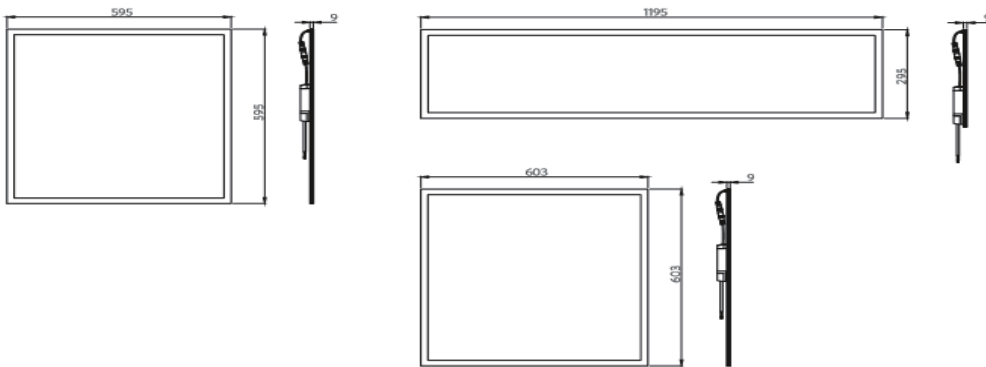
Mechanical Properties	
Housing Material	Aluminum
Optical Material	PMMA

Application Conditions	
Operating Temperature	-10-45°C
Storage Environment	-25-50°C

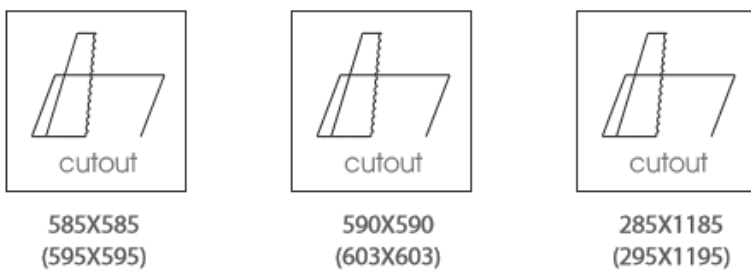
Packaging Information

Item Code	Item Description	Single Box(1pc/box)		Packaging Unit		
		Dimensions(mm) (LxWxH)	Gross Weight (kg)	Dimensions(mm) (LxWxH)	Gross Weight (kg)	packing Qty (kg)
542004059010	LEDSPanelRc-SL Sq595-40W-3000-WH IV	700*666*46	2.39	715*678*205	9.55	4
542004059110	LEDSPanelRc-SL Sq595-40W-4000-WH IV	700*666*46	2.39	715*678*205	9.55	4
542004059210	LEDSPanelRc-SL Sq595-40W-6500-WH IV	700*666*46	2.39	715*678*205	9.55	4
542004059310	LEDSPanelRc-SL Sq595-40W-3000-WH IV IP44	700*666*46	2.39	715*678*205	9.55	4
542004059410	LEDSPanelRc-SL Sq595-40W-4000-WH IV IP44	700*666*46	2.39	715*678*205	9.55	4
542004061510	LEDSPanelRc-SL Sq595-40W-6500-WH IV IP44	700*666*46	2.39	715*678*205	9.55	4
542004059510	LEDSPanelRc-SL Re295-40W-3000-WH IV	1258*368*48	2.58	1270*385*213	10.30	4
542004059610	LEDSPanelRc-SL Re295-40W-4000-WH IV	1258*368*48	2.58	1270*385*213	10.30	4
542004059710	LEDSPanelRc-SL Re295-40W-6500-WH IV	1258*368*48	2.58	1270*385*213	10.30	4
542004059810	LEDSPanelRc-SL Sq603-40W-3000-WH IV	700*666*46	2.39	715*678*205	9.55	4
542004059910	LEDSPanelRc-SL Sq603-40W-4000-WH IV	700*666*46	2.39	715*678*205	9.55	4
542004060010	LEDSPanelRc-SL Sq603-40W-6500-WH IV	700*666*46	2.39	715*678*205	9.55	4

Dimensional Drawing



Cut-out Drawing



Photometric Data

