

Product Information

PARATHOM® CLASSIC A40 advanced frosted & clear sparkling



Product Overview

Product	Wattage	CCT	lm	Base
PARATHOM CLASSIC A40 adv frosted E27	6	2700	470	E27
PARATHOM CLASSIC A40 adv clear sparkling E27	6	2700	470	E27
PARATHOM CLASSIC A40 adv frosted E27	6	4000	470	E27

Benefits

- Dimmable LED-Lamps with a frosted bulb in the well know GLS shape; available in many color temperatures
- The real GLS replacement – GLS inspired design
- For all household luminaires
- Low energy consumption and maintenance costs
- Same size as non dimmable version
- True 40W incandescent replacement

Key Features

- 6W LED lamp as high-quality replacement for a dimmable 40W incandescent lamp
- Clear version with unique OSRAM patented optics
- Designed in Germany
- Available in 2700K warm white color temperature and 4000K cool white
- Energy efficiency class A+
- 25,000 hours lifetime¹
- Similar dimensions as incandescent lamp
- UV and NIR radiation free
- Mercury free
- 4 years Osram Guarantee (www.osram.com/guarantee)

Product	Wattage	CCT	lm	Base	Diameter	Length	Weight	Viewing Angle	EAN10	EAN40 (ship.unit)	Ship. unit
PARATHOM® CLASSIC A40 adv frosted E27	6	2700	470	E27	55 mm	97 mm	77 g	300°	4052899924444	4052899924727	10
PARATHOM® CLASSIC A40 adv clear sparkling E27	6	2700	470	E27	55 mm	97 mm	77 g	300°	4052899924437	4052899924710	10
PARATHOM® CLASSIC A40 adv frosted E27	6	4000	470	E27	55 mm	97 mm	77 g	300°	4052899924451	4052899924734	10

All the technical parameters apply to the entire lamp. In view of the complex manufacturing process for light emitting diodes, the typical values given above for the technical LED parameters are merely statistical values that do not necessarily correspond to the actual technical parameters of an individual product; individual products may vary from the typical values.

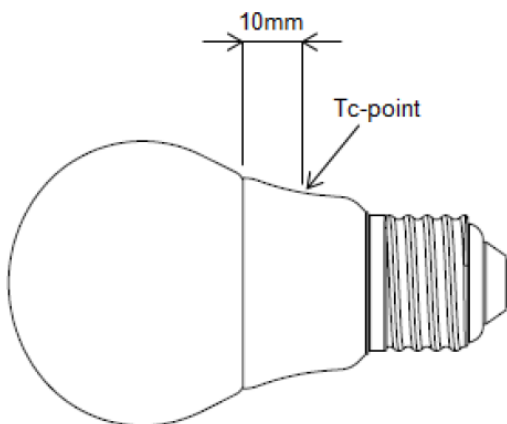
¹The average lifetime of LED lamps is defined as the number of hours when the light output of 50% of a large group of identical lamps goes below 70% of its initial luminous flux (L70B50, IEC60969). The lifetime is estimated at room temperature (25°C), free air burning, base up burning position and at rated voltage.

Product Information

PARATHOM® CLASSIC A40 advanced frosted & clear sparkling

Common Characteristics²

Average lifetime ³	Switching cycles (30s on, 30s off)	Casing material	Starting time	Warm up time for 60% light	Power factor
25,000 hrs	100,000	Plastic	< 0,2 s	0.0 s	0.95
Nominal current	Max. inrush current	Tc temperature max.5	CRI	Mercury max.	
0,027 A	1,3 A	95°C	80	0.0 mg	



Good heat exchange supports ideal performance

Disposal information

- Lamps with WEEE sign can be returned at specific collection points.
- LED lamps have to be disposed as special waste.



² Typical values. All the technical parameters apply to the entire lamp. In view of the complex manufacturing process for light emitting diodes, the typical values given above for the technical LED parameters are merely statistical values that do not necessarily correspond to the actual technical parameters of an individual product; individual products may vary from the typical values.

³ The average lifetime of LED lamps is defined as the number of hours when the light output of 50% of a large group of identical lamps goes below 70% of its initial luminous flux (L70B50, IEC60969). The lifetime is estimated at room temperature (25°C), free air burning, base up burning position and at rated voltage.

⁴ The Tc is defined as the highest permissible temperature which may occur on the outer surface of the LED lamp (in the indicated position) under normal operating conditions and at the rated voltage/current/power or the maximum of the rated voltage/current/power range (DIN EN 62031: 2009-01)

Product Information

PARATHOM® CLASSIC A40 advanced frosted & clear sparkling

Dimming behaviours⁶

Brand	Model	Power range	Voltage range	Leading or Trailing	Min dim range	Max dim range
Busch-Jaeger	6513U-102	40-420	230	T	10,93%	97,3%
Busch-Jaeger	6523U-LED	2-100	230	L	3,28%	94,0%
Berker	2875	60-600	230	L	9,84%	97,8%
Legrand	775903	420	230	U	13,11%	95,1%
Jung	225 NVDE	20-500	230	L	0,00%	98,4%
Gira	117600	50-420	230	U	14,75%	97,3%
Ehmann	4660C0026	20-315	230	T	14,21%	95,1%
Schneider	STD400T	400	230	U	0,00%	97,3%
Osram	Hti DALI 315 DIM	20-315	230	DALI T	0,00%	100 %
merten	5725-99	20-500W	230V/ 50Hz	L	5,46%	100 %
Siemens	5TC8 256	50-400W	230V / 50Hz	L	0,00%	94,0%
gira 030000 i01	030000 i01	/	230V / 50Hz	L	0,00%	94,5%
BUSCH	6517 U-101	60-400VA	230V / 50Hz	L	0,00%	91,8%
Berker	Nr.2874	20-250W	230V / 50Hz	T	8,74%	92,9%
Everflourish	EF0700DC	20~300W	230V/ 50Hz	T	13,11%	90,7%
Everflourish	EFM700DB	50~300W	230V/ 50Hz	L	9,84%	94,0%
Schneider	ATD315(174200)	40~315W	230V/ 50Hz	T	22,95%	91,8%
Berker	Nr.2875	60-600W	230-240V / 50Hz	L	9,84%	95,1%
Berker	Nr.281902	60-400W	230V / 50Hz	L	0,00%	95,1%
ABB	STD50-3	500VA	230V / 50Hz	L	9,29%	95,1%
Legrand	775903	420VA	230V/ 50Hz	T	3,28%	87,4%
Berker	2875	60W-600W	230V-240V/ 50Hz	L	9,84%	96,2%
PEHA	433HAB	20-315W	230V/ 50Hz	T	10,38%	87,4%

Legend

L / leading edge T / trailing edge

⁶ Typical values The test results reflect the measurement of the individual devices that were used in tests. OSRAM does not take over any responsibility, warranty or liability that this results can also be achieved by using the devices under other conditions or when using successor models of the tested devices or different models of the same manufacturer.

The test results were achieved by using the above mentioned LED-lamp types. OSRAM does not take over any responsibility, warranty or liability that this results can also be achieved by using the devices under other conditions or when using other LED-lamp types.

Product Information

PARATHOM® CLASSIC A40 advanced frosted & clear sparkling

Dimming behaviours⁶

Brand	Model	Power range	Voltage range	Leading or Trailing	Min dim range	Max dim range
Berker	281902	20~315W	230V/ 50Hz	L	0,00%	95,1%
CONRAD	T46	20~315W	230V/ 50Hz	T	14,21%	90,7%
GIRA	0300 00/I01	60~400W	230V/ 50Hz	L	0,00%	94,0%
BUSCH-Dimmer	6513U-102	40~420W	230V/ 50Hz	T	10,93%	95,1%
He	T46	20-315W	230V / 50Hz	T	14,21%	92,9%
(Feller)Schneider- Electric	40600 RL	40-600W	230V~/50Hz	L	9,84%	91,3%
(Feller)Schneider- Electric	40300 RC	20-300W	230V~/50Hz	T	10,93%	90,7%
ELKO	315GLE	20-315W	230V~/50Hz	T	6,56%	100 %
ELKO	420GLE/I	20-420W	230V~/50Hz	T	13,11%	100 %
ELKO	600GLI	40-600W	230V~/50Hz	L	14,21%	99,5%
ELKO	630GLE	20-630W	230V~/50Hz	T	7,10%	100 %

Legend

L / leading edge T / trailing edge

⁶ Typical values The test results reflect the measurement of the individual devices that were used in tests. OSRAM does not take over any responsibility, warranty or liability that this results can also be achieved by using the devices under other conditions or when using successor models of the tested devices or different models of the same manufacturer.

The test results were achieved by using the above mentioned LED-lamp types. OSRAM does not take over any responsibility, warranty or liability that this results can also be achieved by using the devices under other conditions or when using other LED-lamp types.



Product Information

PARATHOM® CLASSIC A40 advanced frosted & clear sparkling

Application information

- Suitable for indoor application.
- For outdoor applications and operation in damp locations special approved fixture are required.
- Input voltage: 220-240V
- Storage temperature & humidity conditions (-20°C up to +40°C, at max. 95% relative humidity)
- Operating temperature & humidity conditions (-20°C up to +40°C, at max. 95% relative humidity)

Lamp conformity

- 2004/108/EC Electromagnetic compatibility (EMC)
- 244/2009 Ecodesign requirements for non-directional household lamps
- IEC/ PAS 62612 Self ballasted LED-lamps for general lighting services – Performance requirements
- 2009/125/EC Ecodesign requirements for energy related products
- 2011/65/EC Restriction of the use of certain hazardous substances in electrical and electronic equipment (RoHS)
- 1907/2006 Registration, Evaluation, Authorisation and Restriction of Chemicals (REACH Regulation)
- 2002/96/EC Waste Electrical and Electronic Equipment Directive (WEEE)
- EN 62471 Photobiological safety of lamps and lamp systems
- EN 55015 Limits and methods of measurement of radio disturbance
- EN 61000-3-2 Electromagnetic compatibility – Limits for harmonic current emission
- EN 61000-3-3 Electromagnetic compatibility – Limitation of voltage changes, voltage fluctuations, flicker in public low voltage supply systems
- EN61547 Electromagnetic compatibility immunity requirements
- 1194/2012 Eco design requirement for directional lamps, light emitting diode lamps and related equipment (DIM II)
- IEC 62560 self-ballasted LED-lamps for general lighting services by voltage >50V – Safety specifications
- 874/2012/EU Energy labeling of electrical lamps and luminaires