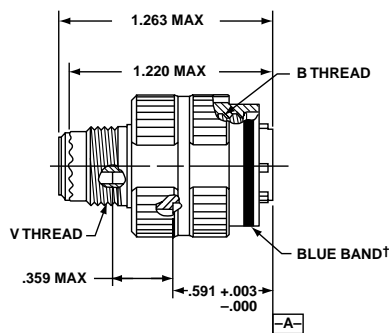


## TV06/CTV06

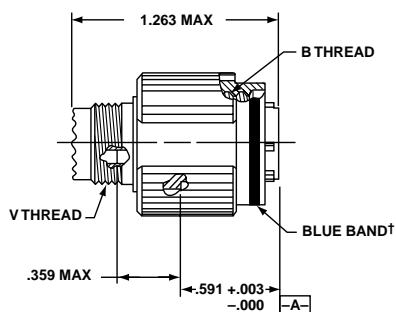
### Straight Plug

TV06( ) - Crimp, Metal  
 CTV06( ) - Crimp, Composite

#### METAL



#### COMPOSITE



# HD38999 High Density Connectors

## TV96

### Straight Plug with Integral Backshell

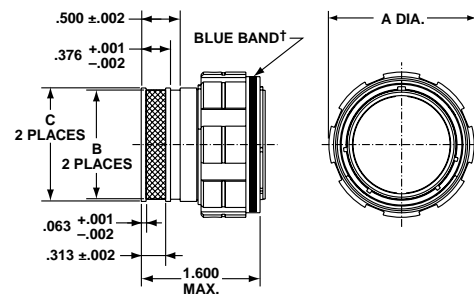
TV96( ) (TV Type) - Crimp, Metal

This MIL-DTL-38999 Series III style connector features an integral backshell design that eliminates the need for costly backshell accessories. The backshell feature is incorporated into the rear of the connector shell, allowing the user to attach the shield of their cable directly to the connector. This provides superior EMI shielding and ease for overmold applications. The straight plug with integral backshell is available in aluminum shells with OD Cad or Electroless Nickel plating.



See how to build a part number on pages 47

† Blue band indicates rear release contact retention system.



Inches

Shell Size	MS Shell Size Code	A Max.	B +.005 -0.000	C +.003 -0.002
9	A	.859	.416	.472
11	B	.969	.524	.580
13	C	1.141	.652	.708
15	D	1.266	.810	.866
17	E	1.391	.928	.984
19	F	1.500	1.046	1.102
21	G	1.625	1.164	1.220
23	H	1.750	1.282	1.338
25	J	1.875	1.400	1.456

#### 38999

- III
- HD**
- Dualok
- II
- I
- SJT
- Accessories
- Aquacon
- Herm/Seal
- PCB

#### HIGH SPEED

- Fiber Optics
- Contacts
- Connectors
- Cables

#### EMI Filter Transient

26482 Matrix 2

83723 III Matrix | Pyle

26500 Pyle

5015 Crimp Rear Release Matrix

22992 Class I

Backshells

Options Others