

MARINE PRODUCT DATA SHEET

OEM: 5907-6304 (Smart System)

AFTERMARKET: 5907-6304 (Smart System)

APPLICATION

Multi-fixture marine fresh water installations. Other uses may include 24V DC pressurized water systems in cabins. This system may be used for general fresh water transfer.

EXTREME PRO-BLASTER AND SMART SENSOR PUMPS:

Type: 5 Chamber Diaphragm
 Ports: Quick Connect Fittings
 Manifold: 3/4" Barb
 Liquid: 130 °F [54 °C] Max
 Dry-Prime: 6 feet [1.82 M]
 Inlet PSI: 30 PSI [2.1 Bar] Max
 Run Dry: Yes

ELECTRICAL:

Motor: 24VDC Permanent Magnet, Intermittent Duty
 Protection: Thermal Overload, Automatic Restart
 Leads: 14 AWG, 16" [40 cm] Red +, 13" [33 cm] Black -
 Fuse: Individual: Ex-Pro-Blaster 10 Amps Recommended, Smart Sensor 7.5 Amps Recommended, Both pumps: 20 Amps Recommended
 SS Control: Microprocessor PWM with pressure switch
 SS Shut-Off: Voltage Variant, factory set @ 65 PSI [4.4 Bar] ± 5 PSI [0.4 Bar] at 24V
 X-Pro Control: Adjustable Switch. Shut-Off 45 PSI [3.1 Bar] ± 5 PSI [0.4 Bar] Restart 25 PSI [1.8 Bar] ± 5 PSI [0.4 Bar]

MATERIALS:

Board: Polyethylene
 Housing: Nylon
 Valves: EPDM
 Diaphragm: Santoprene
 Hardware: Stainless Steel

APPROVALS:

Ignition Protection 8846, CE

WARRANTY:

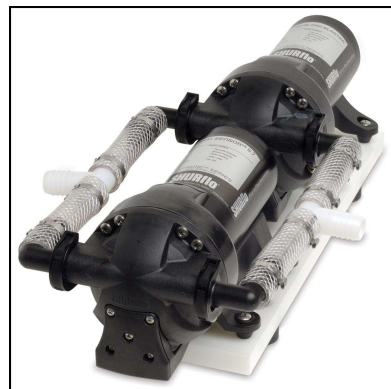
3 Year Limited Warranty.
 Contact SHURflo for details

SHIPPING:

Net Weight (boxed): 20 Lbs [9.0 Kg] each
 Carton Quantity: 1
 Approx. Carton Size: 24"L x 19"W x 7"H
 [61cm x 48cm x 17.7cm]

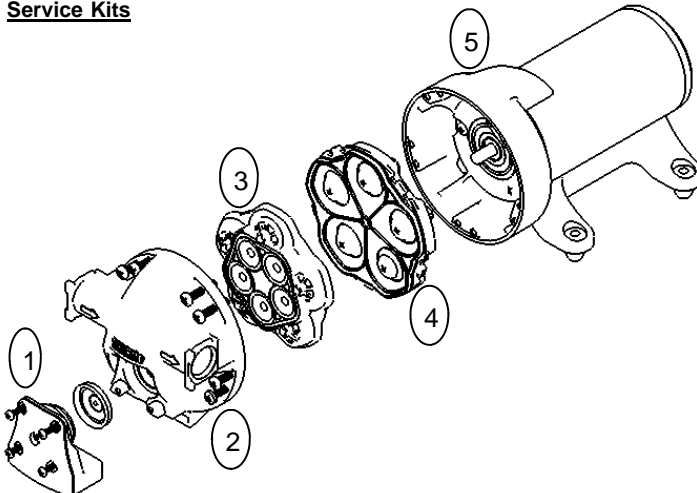
RELATED DOCUMENTS:

Catalog: MS-030-140
 Installation Manual: 911-1005
 Applications Spec Guide: MS-020-005



The Smart System is designed specifically for midsize and large yachts. Delivering 10 GPM and pressure up to 60 PSI, this micro-controller based variable speed and Extreme Pro-Blaster combination pumps precisely monitors your system's water flow demand and adjusts the motor speed of the Smart Sensor maintaining the Extreme Pro-Blaster pump on stand by, eliminating the need for an accu-

Service Kits

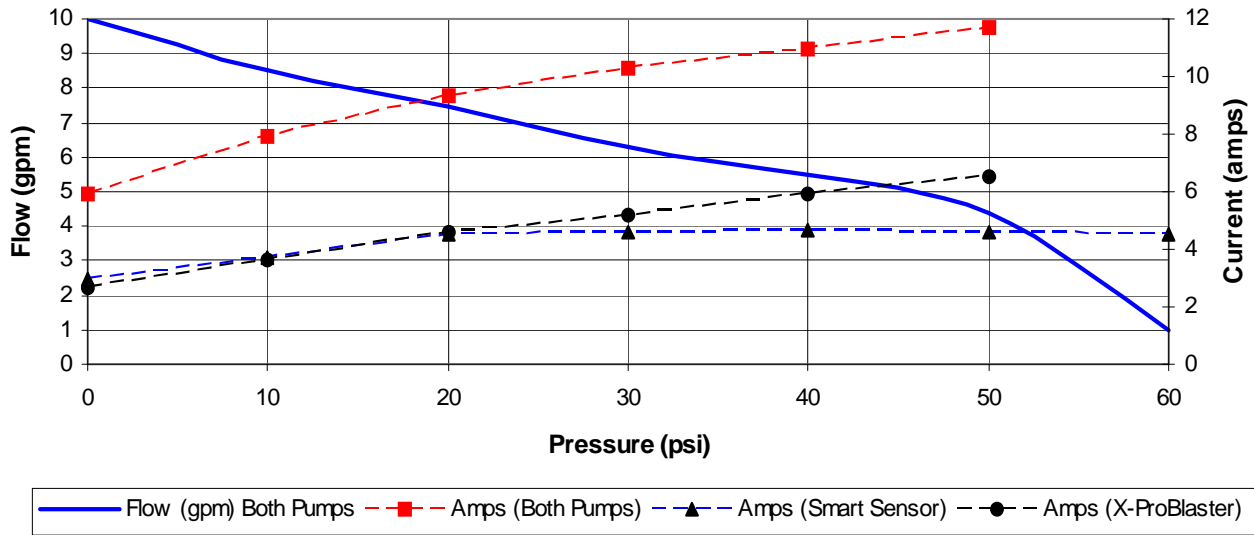


Name	Switch	Upper Housing	Valve Assembly	Drive Assembly	Motor
	1	2	3	4	5
Smart Sensor	N/A	94-670-02	94-030-01	94-030-02	N/A
Ex-Pro-Blaster	94-069-00	94-670-02	94-030-01	94-030-02	94-77-009-17

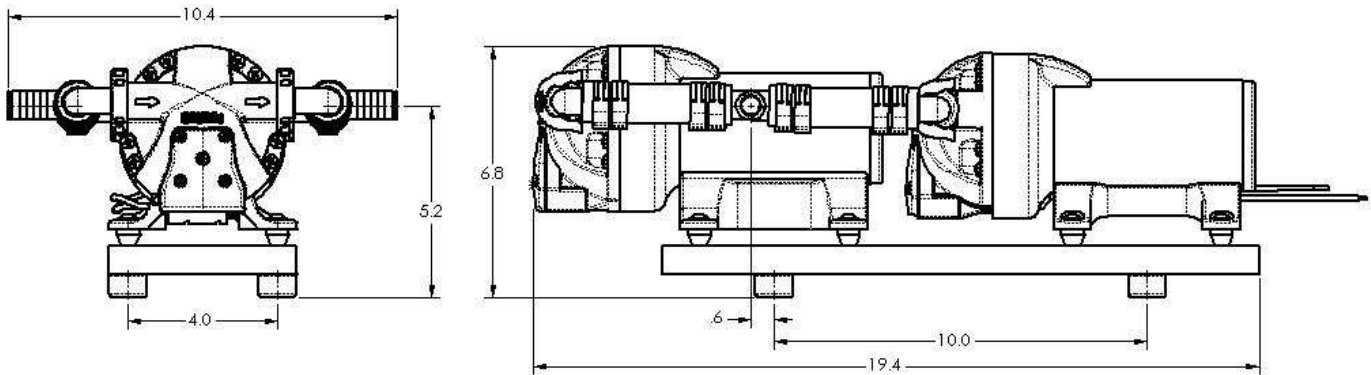
TYPICAL PERFORMANCE

PRESSURE		FLOW		CURRENT (total)
BAR	PSI	GPM	LPM	AMPS
0.0	0	10	37.8	5.93
0.7	10	8.5	32.1	7.9
1.4	20	7.5	28.3	9.3
2.1	30	6.5	24.6	10.3
2.8	40	5.5	20.8	11
3.5	50	4.5	17.0	11.7

Dual System Performance 5907-6304 24V



DIMENSIONS [mm]



SHURflo reserves the right to update specifications, prices or make substitutions without notice.

SHURflo
 52748 Park Six Court
 Elkhart Indiana 46514-5427
 Toll Free: (800) 854-3218
 Fax: (574) 264-2169

SHURflo Europe, Middle East, Africa
Pentair Water Belgium bvba
 B-2200 Herentals, Belgium
 Phone: +32-14-283500
 Fax: +32-14-283505

Visit our Website at www.shurflo.com

