

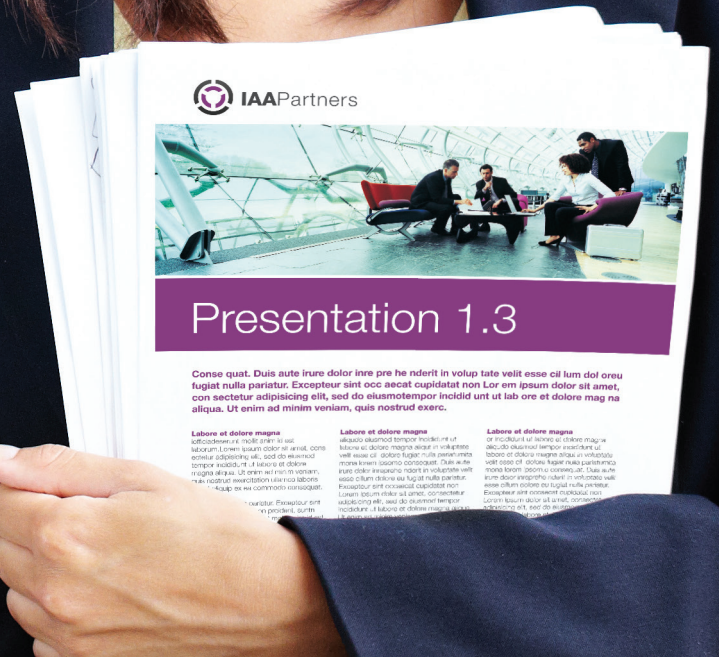
SHARP

MX-3640N / MX-3140N / MX-2640N

Digital Full Colour Multifunctional System



A3 COLOUR MFP WITH
ADVANCED TECHNOLOGY



Your team has to be quick and decisive /**This is Why** you need our Cloud-ready MFPs with multi-touch finger-swipe control.

We like to make life easier /This is Why we put everything at your fingertips.

Welcome to the future

If you've ever used a Tablet PC or a smartphone, our compact A3 colour MFPs with multi-touch finger-swipe control will be instantly familiar.

Simply touch the screen and tap, flick, slide, pinch or spread your fingertips for total control of every document, function and setting.

Experience the Cloud

All three models come with Sharp OSA 4.0, which means that they're Cloud-ready as standard.

Cloud connectivity lets your team use a growing range of Software as a Service (SaaS) applications - such as those developed by our Technology Partners - to streamline and automate many repetitive, time-consuming manual tasks. It saves you time. It reduces errors.

Plus, everyone in the office will be able to search the internet, download content and print web pages directly from the fast, bright 10.1" colour LCD screen.

Advanced specifications

These new MFPs have everything for the modern office.

Wi-Fi access, mobile wireless connectivity, a 320GB hard drive with Network Attached Storage (NAS) capability, dual USB ports - it's all here.

More choice

Each model can be customised with a wide range of extra-value options. There's a space-saving inner finisher with electronic sorting and offset stacking, for example, and a saddle-stitch finisher for easy, professional-looking documents.

The paper supply grows to 6,600 sheets (a Large Capacity Tandem Tray adds 2,500 sheets without taking up valuable office space) and the long-paper feeding tray lets you create eye-catching banners.

Other popular options include a retractable keyboard for easy data entry, a Mirroring Kit to back up the hard drive, extra security and fax functionality.

TWO CONVENIENT USB PORTS FOR
'WALK UP' PRINTING WITH A
MEMORY STICK



RETRACTABLE
KEYBOARD FOR
EASY DATA
ENTRY



Essential information at your fingertips

The MX-3640N, MX-3140N and MX-2640N let everyone harness the information that's held in hard copy documents, by scanning it directly to their own or other email addresses, their desktops, network locations and USB memory sticks.

Everything is intuitive. You get on-screen single-page, 3D and thumbnail previews of your documents, and the ability to rotate, reorder, delete and insert pages simply by sliding your fingers around.

Small characters are clear and easy to read. Colour sweeps are smooth and accurate. A resolution that's adjustable to 150 dpi lets you create smaller files without compromising clarity, and it's easy to adjust the contrast and sharpness to compensate for any 'difficult' documents.

Easy high-volume scanning

These MFPs are particularly suitable for high volume scanning, thanks to thoughtful innovations that automatically stamp originals as they're scanned and skip blank pages entirely.

Every model in the range can handle the heaviest workloads - at its full published speed - in colour as well as in black & white. That's one reason why you'll never need to slow down. Here are some more:

- The 100-sheet document feeder can scan single-sided originals at speeds of up to 50 pages per minute, or double-sided at 20 per minute.
- There's a Job Build function for scanning, which lets you scan large volumes of documents in easily manageable batches. And Auto Colour Mode makes accurate colour copying a one-touch process.

Some things should never be left to chance /This is Why we take care of them for you.



LOW ENERGY LED LIGHTS

Supporting your environmental objectives

These Energy Star-certified MFPs have a rapid warm-up time to use less energy. And they have super-efficient LEDs in the scanner and a special Eco Scan mode for even more energy savings.

But that's not all. They also have a self-adjusting automatic shutdown capability, which complements their pre-set power off schedules. They'll even prompt you to consider using eco-friendly printing features such as duplex and N-up printing whenever appropriate.

Impeccable security

Sharp MFPs come with robust security features, such as the encryption and secure erasure of data on the hard disk (automatically as well as on-demand), password-controlled access for routine user authentication and a useful Data Initialisation feature to erase data from your MFP when the time comes to replace it.

For even greater security, a third party card reader adds tighter access control, and a secure network interface, SSL, IPsec and port-based network protection defend against the most determined attacks. We even help you prevent the unauthorized copying, scanning, faxing and filing of confidential documents, with our Document Control Function*.

We guard against accidents, too, with features such as password-protected PDFs, a Hidden Pattern Print feature which can reveal a watermark (e.g. 'CONFIDENTIAL NOT FOR COPY') and Confidential PIN Printing which requires the user to be present at the MFP before printing begins.

MULTI-LEVEL SECURITY



* Requires optional MX-FR41U.

No one likes complexity /This is Why we make MFPs that are easy to own and manage.

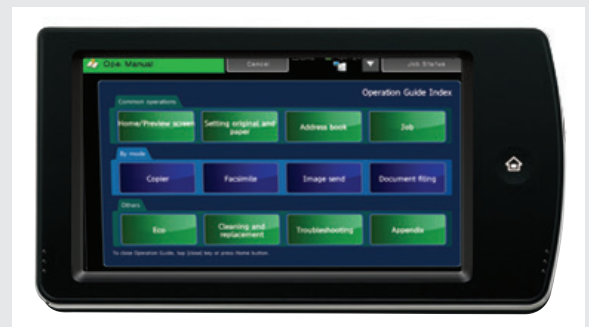
You can configure every important setting of these powerful MFPs through a single dedicated web page. But that's just one of many ease-of-use features.

A **Printer Status Monitor** on your PC lets you check that there's enough toner and paper before you start a job. A glance at the **Job Status Screen** will reveal every copy and print job and its position in the queue. And an alert will pop up as soon as your documents are printed.

A **Remote Diagnosis** feature monitors the MFPs through a web browser, and sends timely email messages when maintenance is required.

Sharp Remote Device Manager provides real-time control of your Sharp MFPs - again, through a browser - making technical support, driver installation and firmware upgrades easier than ever.

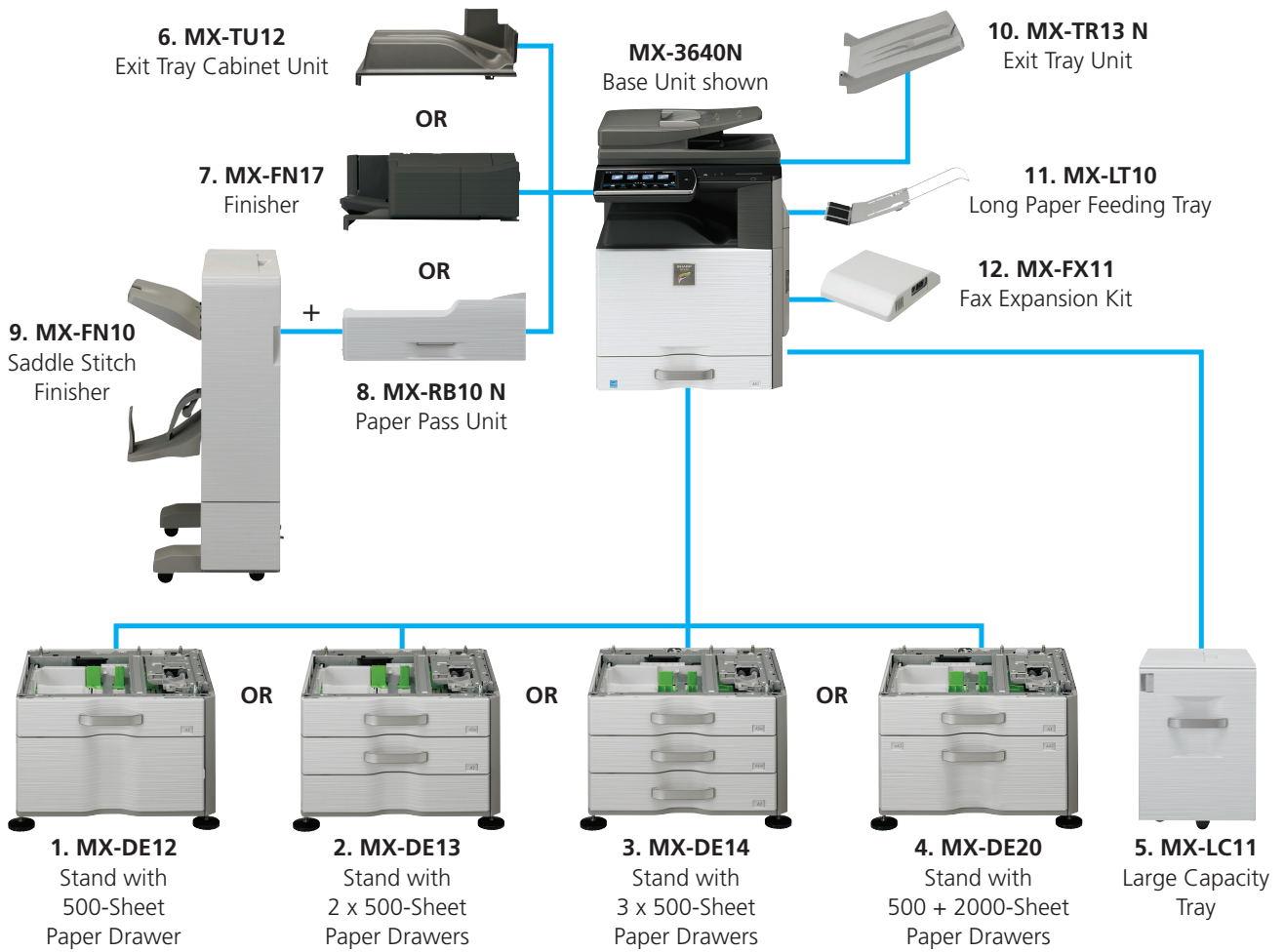
Your support staff can even remotely view* and operate the front panel display, taking control, changing settings, fixing problems and providing ad hoc training, without ever leaving their desks, thanks to our innovative **Remote Access Control Panel**.



ACCESS USER MANUAL
DIRECTLY FROM
MFP PANEL

* Requires VNC application.

Configuration Examples



Base Unit

MX-KB11 N Keyboard

1. MX-DE12 Stand with 500-Sheet Paper Drawer

A3 to A5R, 500 sheets (80 g/m²)

2. MX-DE13 Stand with 2 x 500-Sheet Paper Drawers

A3 to A5R, 500 sheets each (80 g/m²) for lower and upper trays

3. MX-DE14 Stand with 3 x 500-Sheet Paper Drawers

A3 to A5R, 500 sheets each (80 g/m²) for lower and upper trays

4. MX-DE20 Stand with 500 + 2,000-Sheet Paper Drawers

Upper tray: A5R - A3, 500 sheets (80 g/m²)

Lower tray: A4, 1 x 1,150, 1 x 850 sheets (80 g/m²)

5. MX-LC11 Large Capacity Tray

A4 - B5, 3,500 sheets (80 g/m²)

Finishing

6. MX-TU12 Exit Tray Cabinet Unit

7. MX-FN17 Finisher

A3 - B5 (offset/staple),

A3W - A5R (non offset)

Offset tray (upper): max. 500-sheet paper capacity*¹

Stapling capacity: max. 50-sheet multi-position staple*¹

Staple position: 3 locations (front, rear or 2 point stitching)

Optional Punch Module for MX-FN17:

MX-PN11A - 2 Hole Punch Module

MX-PN11C - 4 Hole Punch Module

MX-PN11D - 4 Hole Wide Punch Module

8. MX-RB10 N Paper Pass Unit

Required when using MX-FN10

9. MX-FN10 Saddle Stitch Finisher (1,000-Sheet)

A3 - B5 (offset/staple), A3W - A5R (non offset)

Offset tray (upper): max. 1,000-sheet paper capacity*¹

Stapling capacity: max. 50-sheet multi-position staple*¹

Staple position: 3 locations (front, rear or 2 point stitching)*¹

Saddle stitch tray (lower): 10 sets (11-15 sheets), 15 sets (6-10 sheets),

20 sets (1-5 sheets). 15 sheets max per set

Optional Punch Module for MX-FN10

MX-PNX5A - 2 Hole Punch Module

MX-PNX5C - 4 Hole Punch Module

MX-PNX5D - 4 Hole Wide Punch Module

10. MX-TR13 N Exit Tray Unit

11. MX-LT10 Long Paper Feeding Tray

Recommended for banner printing

Faxing

12. MX-FX11 Fax Expansion Kit

Super G3 fax module

MX-FWX1 Internet Fax Expansion Kit

Printing

MX-PUX1 XPS Expansion Kit

Enables XPS printing

MX-PF10 Barcode Font Kit

Enables barcode printing

MX-AM10 Web Browsing Expansion Kit

Enables Internet browsing from MFP panel

Scanning

AR-SU1 Stamp Unit

Marks already scanned documents for checking

MX-EB11 Enhanced Compression Kit

Enables creation of high compression PDFs

Sharpdesk Licenses

MX-USX1/X5/10/50/A0

1/5/10/50/100-License Kit

Sharp OSA®

MX-AMX1 Application Integration Module

Security

MX-FR41U Data Security Kit

Commercial Version

MX-EB12 N Mirroring Kit

Second hard drive enabling data backup of files stored on HDD

L80SECLOCK4

Paper tray lock for MX-DE12, MX-DE13, MX-DE14 and MX-DE20

*¹ A4 or smaller, 80g/m².

Some options may not be available in some areas.

Specifications

General

Engine speed (ppm/cpm) (Max)		
Colour / B/W	A4	A3
MX-2640N	26	14
MX-3140N	31	15
MX-3640N	36	17
Paper size (Min – Max)		
Drawer	A5R – A3	
Bypass	A5R – A3W	
Long paper feeding tray	1,200 x 297 mm (Max)	
Tandem large capacity drawer	A4	
Large capacity tray	A4	
Paper weight (g/m ²)		
Drawers	60 – 220	
Bypass	55 – 300	
Paper capacity (Std – Max)		
Sheets	600 – 6,600	
Drawers	1 – 5 (plus bypass tray)	
Warm-up time *1 (seconds)	18	
Memory		
Copier/Printer (shared)	4	
HDD	320 GB*2	
Power requirements	Rated local AC voltage ±10%, 50/60 Hz	
Power consumption kW (Max)	1.84 (200 – 240V)	
Dimensions (mm) (W x D x H)		
MX-2640N/MX-3140N	608 x 659 x 834	
MX-3640N	608 x 681 x 834	
Weight (kg)	76	

Network Printer

Resolution (dpi)	1,200 x 1,200, 600 x 600, 9,600 (equivalent)*3 x 600	
Interface	USB2.0, 10Base-T / 100Base-TX / 1000Base-T	
Supported OS	Std	Windows® XP, Windows® Server 2003/2008/2008R2/2012, Windows Vista®, Windows® 7, Windows® 8 Mac OS X 10.4, 10.5, 10.6, 10.7, 10.8
Network protocols	TCP/IP (IPv4 & IPv6), IPX/SPX (Netware), NetBEUI, EtherTalk (AppleTalk)	
Printing protocols	LPR, Raw TCP (port 9100), POP3 (e-mail printing), HTTP, Novell Printserver application with NDS and Bindery, FTP for downloading print files, EtherTalk printing, IPP	
PDL emulation	Std Opt*4	PCL 6, Genuine Adobe® PostScript 3™ XPS
Available fonts		
PCL	80	
Adobe® PostScript® 3™	136	
Printer utilities	Sharpdesk Mobile	

Wireless LAN

Compliant regulation	IEEE802.11n/g/b
Access mode	Infrastructure mode, Software AP mode
Security	WEP, WPA Personal, WPA Enterprise*5, WPA2 Personal, WPA2 Enterprise*5
Network protocols	TCP/IP (IPv4 & IPv6), IPX/SPX (Netware), NetBEUI, EtherTalk (AppleTalk)

Notes

*1 At rated voltage. May vary depending on machine conditions and operating environment. *2 1GB = One billion bytes when referring to hard drive capacity. Actual formatted capacity is less. *3 Resolutions higher than 600 dpi are interpolated. *4 To view XPS files on PCs not running Windows Vista, you must have the XPS View application installed. *5 Not applicable to Software AP mode. *6 Best achieved time based on A4 copy, long edge feeding from 1st paper drawer, using document glass, when machine is ready, without Auto Colour Mode and Auto Colour Selection. May vary depending on machine conditions and operating environment. *7 Colour only. Requires optional MX-EB11. *8 Storage capacity will vary depending on the type of document and the scan settings. *9 Optional MX-FX11 required. *10 Based on Sharp's standard chart with approx. 700 characters (A4 portrait) at standard resolution in Super G3 mode, 33,600 bps, JBIG compression.

Design and specifications are subject to change without prior notice. All information was correct at time of print. The ENERGY STAR logo is a certification mark and may only be used to certify specific products that have been determined to meet the ENERGY STAR programme requirements. ENERGY STAR is a US registered mark. The ENERGY STAR guidelines apply to products only in the US, Europe, Australia, New Zealand and Japan. Windows, Windows NT, Windows XP and Windows Vista are registered trademarks of Microsoft Corporation. SAP and all SAP logos are trademarks or registered trademarks of SAP AG in Germany and in several other countries. All other company names, product names and logos are trademarks or registered trademarks of their respective owners. ©Sharp Corporation June 2014. Ref: MX-2640N / MX-3140N / MX-3640N. All trademarks acknowledged. E&OE. UK v3 June 2014

Copier

Original paper size (Max)	A3	
First copy time *6 (seconds)	Full colour	B/W
MX-2640N	8.1	5.9
MX-3140N	7.9	5.8
MX-3640N	6.8	5.2
Continuous copies (Max)	999	
Resolution (max) (dpi)	600 x 600	
Scan (colour)	600 x 600, 600 x 400, 600 x 300	
Scan (b/w)	9,600 (equivalent)*3 x 600 (depending on print mode)	
Print	9,600 (equivalent)*3 x 600 (depending on print mode)	
Gradation levels	256	
Zoom range (%)	25 – 400 (25 – 200 using RSPF) in 1% increments	
Preset copy ratios	10 (5R/5E)	

Colour Network Scanner

Scan method	Push scan (via operation panel) Pull scan (TWAIN compliant application)
Resolution (dpi)	Push scan 100, 150, 200, 300, 400, 600 Pull scan 75, 100, 150, 200, 300, 400, 600, 50 – 9,600*3 via user setting
File formats	TIFF, PDF, PDF/A-1b, Encrypted PDF, JPEG (colour only), XPS*4, Compact PDF*7
Scan destinations	Scan to e-mail, desktop, FTP server, network folder (SMB), USB memory
Scanner utilities	Network Scanner Tool, Sharpdesk, Sharpdesk Mobile

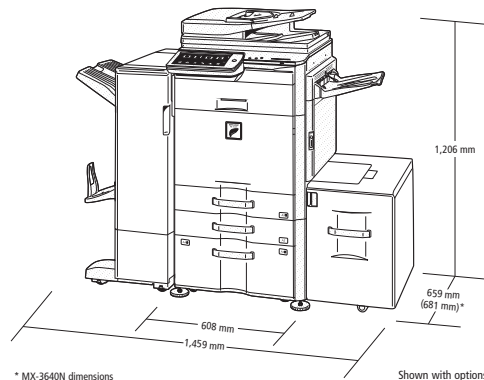
Document Filing

Document filing capacity (pages/or files)	
Main folder & Custom Folder	20,000*8 or 3,000
Quick file folder	10,000*8 or 1,000
Stored jobs	Copy, print, direct print, scan, fax transmission*9
Storage folders	Quick folder, main folder, custom folder (max. 1,000)
Confidential storage	Password protection (for main and custom folders)

Fax (requires optional MX-FX11)

Compression method	MH/MR/MMR/JBIG
Communication protocol	Super G3/G3
Transmission time *10 (seconds)	Less than 3
Modem speed (bps)	33,600 – 2,400 with automatic fallback
Transmission resolution (dpi)	
Std	203.2 x 97.8
Ultra Fine	406.4 x 391
Recording width	A5 – A3
Memory (GB) (Min - Max)	1
Grey scale levels	256

External Dimensions



This is Why

www.sharp.co.uk

SHARP

DEALER STAMP

SHARP ELECTRONICS (UK) LTD
4 FURZEGROUND WAY
STOCKLEY PARK
UXBRIDGE
MIDDLESEX UB11 1EZ
TEL: +44 (0)20 8734 2000

