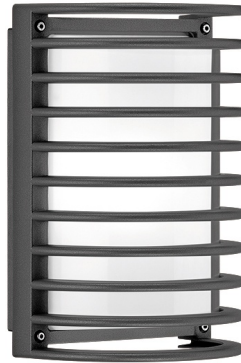


# NIKKO+27



Open



Grill



V Shade

Surface-mount doorway and hallway lights and post mount series. Fixtures consist of:

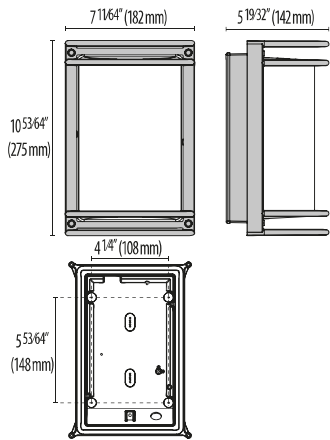
- Multi-step powder-coat painting process, optimized against UV rays and corrosion.
- Copper-free die-cast aluminum housing, ring, and faceplates.
- High transmittance, internally coated, soda-lime pressed glass diffuser, thermally and chemically quenched to strengthen the impact resistance and reduce the effect of rapid temperature changes.
- Custom molded, anti-aging gasket(s).
- Stainless steel external hardware.
- High-efficiency COB, combined with an optimized passive cooling system, provides a long LED life.

- 100% uniform diffused light emission.
- Input voltage: 120-277 V (50 / 60 Hz), integral driver.
- Consult factory for dimming options, custom finishes (please specify RAL color), and non-cataloged CCT (Kelvin) options including static colors.
- Wall bracket and post accessories available (ordered separately).
- Product meets Buy American Act requirements within ARRA.
- 5-year warranty on components.
- 10-year warranty on glass.
- Marine Grade finish.
- Suitable for Natatorium applications.



## FINISHES

- AN-96 / Iron gray / Textured
- RB-10 / Iron rust / Textured
- GR-94 / Aluminum metallic / Textured
- WH-87 / White / Textured
- BK-81 / Black / Textured



NIKKO  
+27 LED

Lumen Output	27K	3K	35K	4K	5K
Nikko+27	1218	1248	1278	1309	1339
Nikko+27 Grill	638	654	670	686	718
Nikko+27 Visa	639	654	670	687	719

11W Max Wattage

Scan here  
for installation  
instructions



# Order Guide - Nikko+27

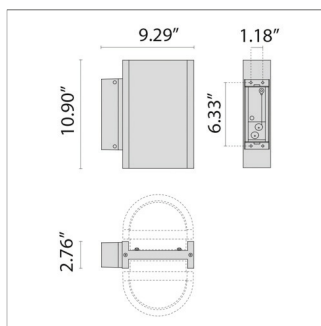


Order code example

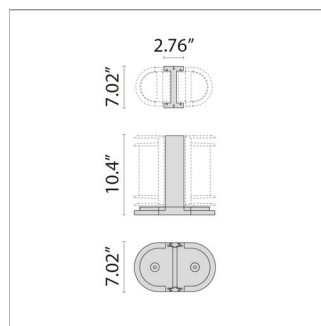
N27-OP-11-AM-3K-120-NA-WB

N27-

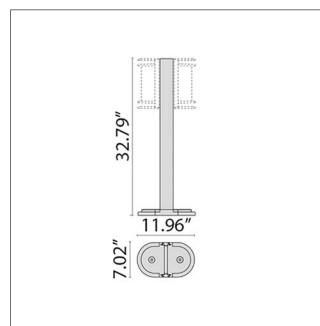
Trim Style	Wattage	Finish	Kelvin	Voltage	Controls	Accessories
<b>OP</b> Open Trim	<b>22</b> 22 watt (max)	<b>AM</b> Aluminum Metallic	<b>27K</b> 2700k	<b>UNV</b> 120-277V	<b>NA</b> Non Dimming	<b>REM</b> Remote Mounted Emergency Battery Back-Up
<b>G</b> Grill	<b>XX</b> Specify Wattage Must be below max	<b>IG</b> Iron Gray	<b>3K</b> 3000k		<b>0-10V</b> 0-10V Dimming	<b>WB</b> Wall Bracket
<b>V</b> Shade		<b>IR</b> Iron Rust	<b>35K</b> 3500k		<b>ELV</b> ELV Dimming	<b>P10</b> 10.43" Post
		<b>BK</b> Textured Black	<b>4K</b> 4000k			<b>P32</b> 32.79" Post
		<b>WH</b> Textured White	<b>5K</b> 5000k			<b>P48</b> 48.54" Post
		<b>CC</b> Custom Color	<b>65K</b> 6500k			
			<b>RED</b> Static Red			
			<b>BLU</b> Static Blue			
			<b>GRN</b> Static Green			
			<b>RGBW*</b> RGBW			
			*See below for details			



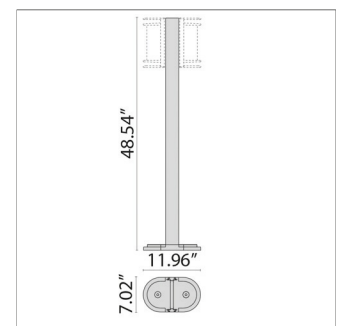
**WB**  
Wall Bracket



**P10**  
10.4" Post



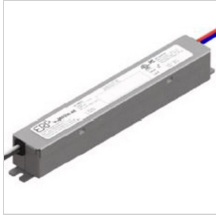
**P32**  
32.79" Post



**P48**  
48.54" Post

# RGBW ACCESSORIES

## Power Supply



17433  
Kit driver 48V



17096  
Kit driver 48V WP

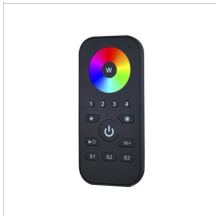
## RF Controls



3104173  
RGBW RF controller 4 channel  
(0.35A each CH)



31041730  
RGBW RF controller WP 4 channel  
(0.35A each CH)



310429  
RGBW hand held remote

## DMX Controls



178973  
RGBW DMX enabler/decoder 4  
channel (0.35A each CH)



1789730  
RGBW DMX enabler/decoder WP 4  
channel (0.35A each CH)