

pci



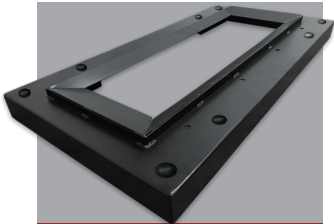
SINGLE & DOUBLE WALL
TANK SUMPS



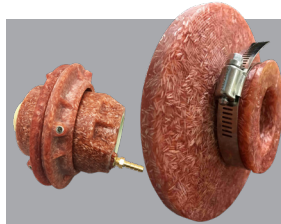
SINGLE & DOUBLE WALL
TRANSITION SUMPS



SINGLE & DOUBLE WALL
DISPENSER SUMPS



UNIVERSAL CONVERSION
FRAMES & PLATES



NEW CONSTRUCTION & REPAIR
PENETRATION FITTINGS



TWIST-LOK LIDS &
TANK COLLARS

PRODUCT CATALOG



PCI manufactures the most watertight secondary containment sumps in the industry. We offer an extensive line of fiberglass tank sumps, dispenser sumps, transition sumps, double wall sumps and fiberglass penetration fittings.

All of our tank sumps utilize our innovative 'Twist-Lok' Access Cover to ensure a watertight seal while providing quick and easy access. We also have a complete line of dispenser sumps for almost every make and model dispenser on the market. This catalog is a great source of information, but if you have any questions - please call; we have an experienced staff here to assist you.

ABOUT THIS CATALOG

The following logos are used throughout this catalog to indicate products that include these proprietary PCI features. These intentionally developed features separate PCI's product from anyone else in the industry.



'BRITE-WHITE' INTERIOR
Our signature 'Brite-White' interior reflects light for better visibility and makes identifying leak points easier.



CLEAR MAGIC
Clear Magic, our proprietary three-part fiberglass adhesive, creates a permanent, watertight seal on polyethylene sumps or piping.



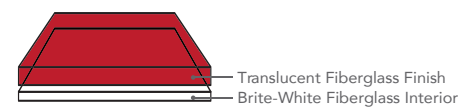
TWIST-LOK ACCESS COVER
PCI's Twist-Lok 12-Point Access Cover offers the most dependable watertight protection without using tools or hardware.



DUO-MOLDED TECHNOLOGY
Our fiberglass sumps utilizes Duo-Molded Technology. Using premium raw materials with a high glass content, we create two layers of fiberglass, offering superior strength and fuel resistance.



PRE-PLUMB SERVICE
PCI's Dispenser Sumps are available with completely customizable pre-plumb service built to customer's specifications. Our pre-plumb dispenser sumps include all internal piping from the shear valve to penetration, eliminating the need for any additional field labor.



HOT POPULAR PRODUCT

TABLE OF CONTENTS



TANK SUMPS

4200 Series 6
 PCM4200 Series 8
 4500 Series 10
 4800 Series 12
 PCM4800 14
 TSA - Tank Sump Adapter 16
 Tank Collars 17



TRANSITION SUMPS

TSM Series 18
 TS (Grade Level) 20
 Tank Sump Reference Chart 22



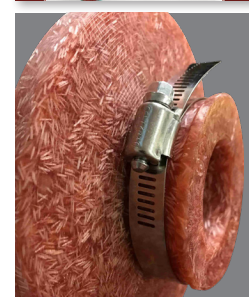
DISPENSER SUMPS

Pre-Plumbed Dispenser Sump Service 24
 RSC Series 26
 DP Series 28
 CLE / CLS Series 30
 DCL Series 32
 DEF Series 34



DOUBLE WALL SUMPS

Double Wall Tank Sumps 36
 Double Wall Transition Sumps 38
 Double Wall Dispenser Sumps 40



PENETRATION FITTINGS

FRP - New Construction Fitting 43
 TPP - New Construction Fitting 44
 TPT - New Construction Fitting 45
 SRB - Repair Fitting 46
 BSO - Repair Fitting 48
 STF - New Construction or Repair Fitting 49



ACCESSORIES

Adhesives - EP2A & Clear Magic 50
 Dispenser Conversion Kits 51
 Twist-Lok Lids & Retrofit Kits 52
 Bonding Kits & Replacement Parts 54
 Warranty 55



FLAGSHIP PRODUCTS



'BRITE-WHITE' INTERIOR

All of PCI sumps contain our signature 'Brite-White' interior. This involves a two-step production process but results in a clean white interior which reflects light for better visibility and makes identifying leak points and service work easier.

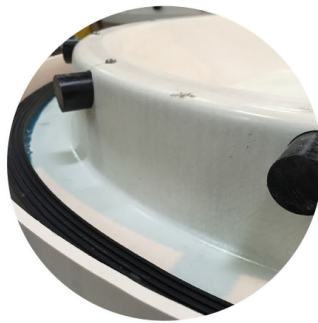


TWIST-LOK ACCESS COVER

PCI's tank sumps and TSM transition sumps come standard with our Twist-Lok 12-Point Access Cover. Its injection molded fiberglass construction and 12 points of contact offer the most dependable watertight protection. The covers raised, rounded surface keeps dirt and debris from interfering with the seal between the lid and collar.

Our Twist-Lok Lid is also available for retrofit kits, to permanently **fix leaking sump lids without breaking concrete.**

An optional 4" inspection port is also available as an add-on to allow for quick inspection without removing the entire cover.



REGULATORY

UL® Listed 2447

California Code of Regulation Title 23, Division 3, Chapter 16, Section 2631 (AB 2481/ California VPH)

State of Florida Department of Environmental Protection Approved / Registered Storage Tank System: EQ-203

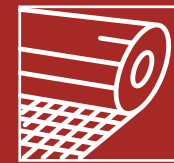


TANK & TRANSITION FIBERGLASS SUMPS

The following features are standard on all PCI fiberglass sumps. We continually look to innovate and engineer products that truly exceed secondary containment standards. We pride ourselves on engineering with intent to provide the highest quality and value while ensuring a permanent solution that helps ensure smooth installation and service.



THE PCI DIFFERENCE



100% FIBERGLASS

100% high quality, non-corrosive fiberglass provides long-term reliable containment from fuel exposure without voiding warranty, warping, cracking or becoming brittle.



DUO-MOLDED TECHNOLOGY

Our fiberglass sumps utilizes Duo-Molded Technology. Using premium raw materials with a high glass content, we create two layers of fiberglass, offering superior strength and fuel resistance.



'BRITE-WHITE' INTERIOR

Our signature 'Brite-White' interior reflects light for better visibility and makes identifying leak points easier.



PERMANENT BOND

We've engineered our products to be the most efficient to install without losing any of the water-tight quality. Our two-piece tank and transition sumps are permanently bonded in the field with a simple epoxy pour.



TWIST-LOK ACCESS COVER

PCI's tank sumps and below grade transition sumps come standard with the latest generation of our innovative 'Twist-Lok' Access Cover. Constructed from injection molded fiberglass, Twist-Lok lids provide a watertight seal with a quick and easy 12° turn.



OPTIONS AVAILABLE



4200 SERIES - SOLID BOTTOM TANK SUMPS

The 4200 Series Tank Sump is a cost-effective fiberglass alternative to polyethylene tank sumps. Fiberglass construction guarantees long-term reliability without deforming or cracking.



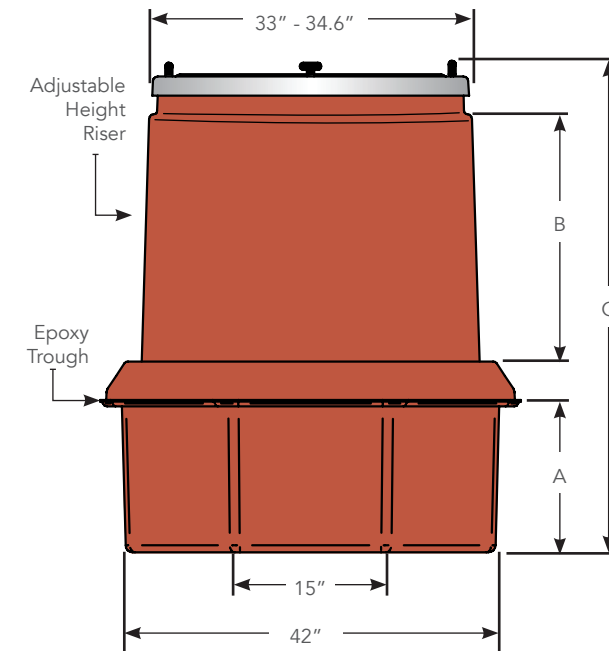
PC4250-3B1

PC4240-3B1



INSPECTION PORT

Optional 4" inspection port allows quick and easy inspection without removing entire cover. IP4000-1



PRODUCT SIZES

Part No.	Base Height (A)	Adjustable Height (B)	Overall Height (C)
PC4230	15"	10"	24" - 30"
PC4240	15"	19"	29" - 39"
PC4250	15"	31"	29" - 51"

Options (Example: PC42XX-XXX)

-3B0	Twist-Lok Lid, No Bonding Kit
-3B1	Twist-Lok Lid, Epoxy Bonding Kit

Accessories

TSA400	4" Tank Fitting (page 16)	11.1" OD
--------	---------------------------	----------

Optimum lid height is 4" below manhole cover

Note: Not for use with 42" Tank Collar

PART NUMBER LEGEND

Series PC42: 4200 Series	Base B: Solid Bottom	
PC42	40	- 3 B 0
Sump Height 30: 24-30" 40: 29-39" 50: 29-51"	Lid 3: Twist-Lok	Bonding Kit 0: No Bonding Kit 1: Epoxy Bonding Kit





PCM4200 SERIES - COLLAR MOUNT TANK SUMPS

Mounting a tank sump on a collar is the most highly recommended method of installation, and PCI's PCM Series is the most economically sized tank sump to get the job done. The PCM4200 series is engineered with the same features and benefits as its larger counterparts.

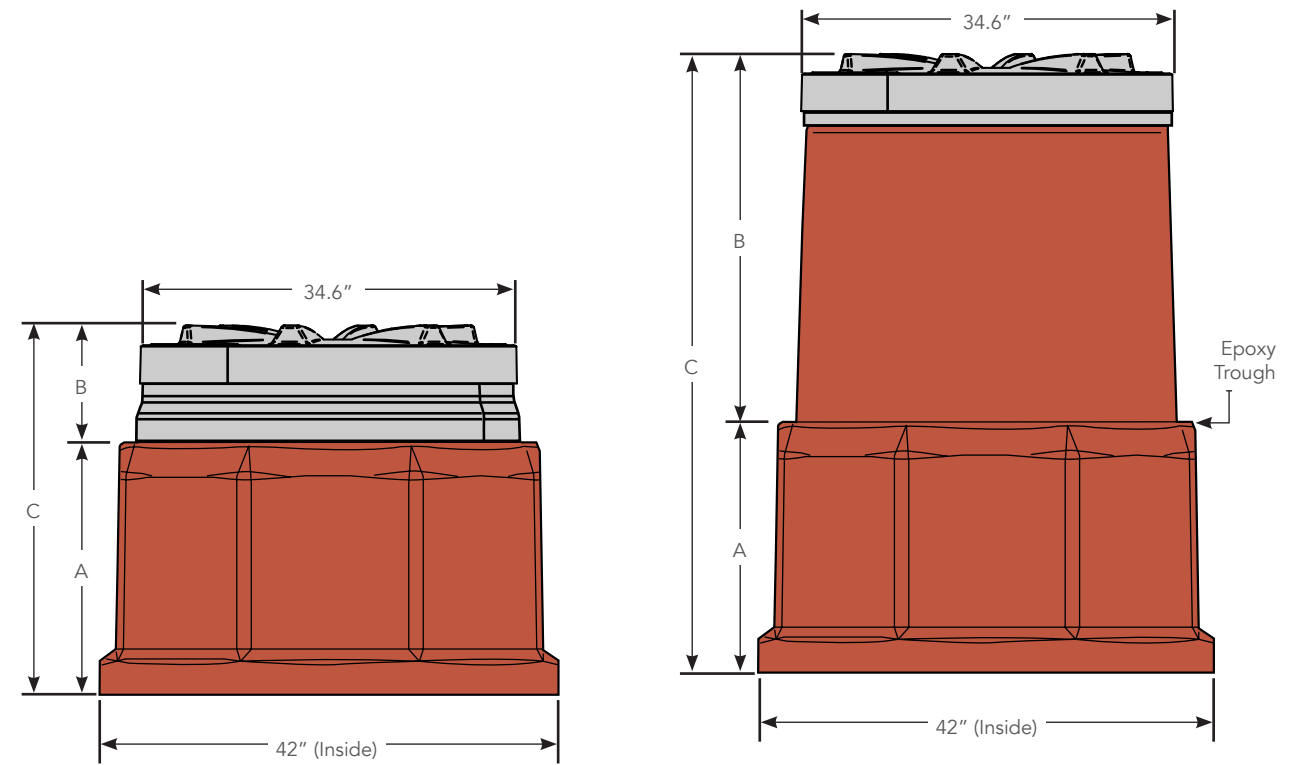


PCM4248-3C0



INSPECTION PORT

Optional 4" inspection port allows quick and easy inspection without removing entire cover. IP4000-1



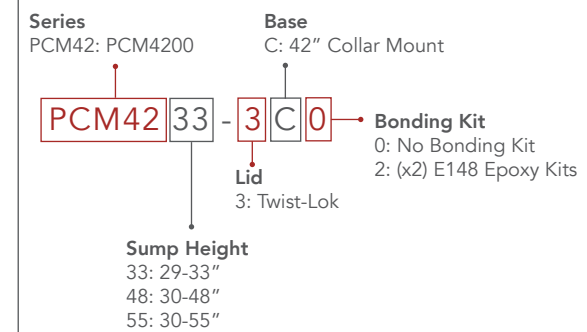
PRODUCT SIZES

Part No.	Base Height (A)	Adjustable Height (B)	Overall Height (C)
PCM4233	23"	6" - 10"	29" - 33"
PCM4248	23"	7" - 25"	30" - 48"
PCM4255	23"	7" - 32"	30" - 55"

Options (Example: PCM42XX-XXX)

-3C0	42" Collar Mount, No Bonding Kit
-3C2	42" Collar Mount, (x2) E148CM Epoxy Kits Optimum lid height is 4" below manhole cover

PART NUMBER LEGEND





UNIVERSAL BASE

A rigid 12-sided sump base that can be used on a 42" UST collar, manway, or bung adapter. Smooth flat panels are easy to drill and provide leak-tight sealing surface for penetration fittings. Can be factory cut.



HOT

4500 SERIES TANK SUMPS

In addition to being the only 45" tank sump in the marketplace, the 4500 is also PCI's most popular and versatile tank sump. Our 4500 Series tank sumps are constructed of 100% fiberglass and offer long-term reliability without deforming or cracking. This provides one sump that works for all single STP applications. Exposure to fuel will never void our warranty.



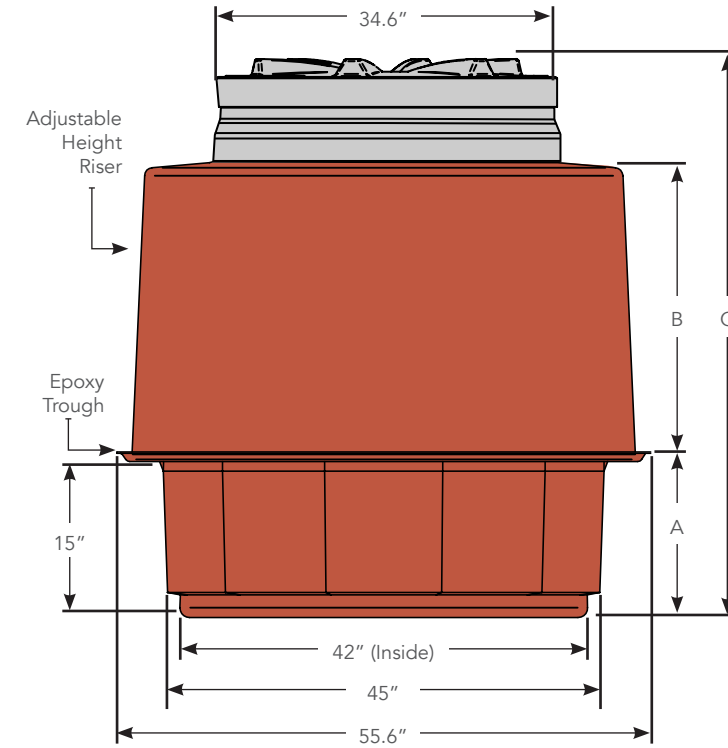
PC4560U

PC4540U



INSPECTION PORT

Optional 4" inspection port allows quick and easy inspection without removing entire cover. IP4000-1



PRODUCT SIZES*

Part No.	Base Height (A)	Adjustable Height (B)	Overall Height (C)
PC4540U	17"	0" - 8"	30" - 38"
PC4550U	17"	0" - 18"	30" - 48"
PC4560U	17"	0" - 28"	30" - 58"

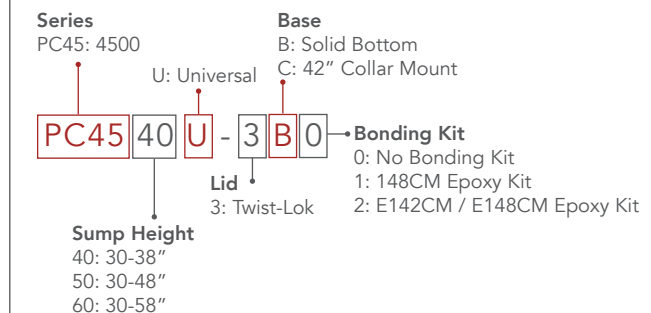
Options (Example: PC45XXU-3XX)

-3B0	Solid Bottom, No Bonding Kit
-3B1	Solid Bottom, E148CM Epoxy Kit
-3B2	Solid Bottom, E142CM / E148CM Epoxy Kit
-3C0	42" Collar Mount, No Bonding Kit**
-3C2	42" Collar Mount, E142CM / E148CM Epoxy Kit**

* Dimensions are based on Solid Bottom sumps only

** Subtract 1" if mounting to a 42" tank collar

PART NUMBER LEGEND





4800 SERIES TANK SUMPS

The 4800 Series fiberglass tank sump is the largest piping sump in the industry. Designed to accommodate dual STP systems for all types of installations including collar mount, bung mount and manways.



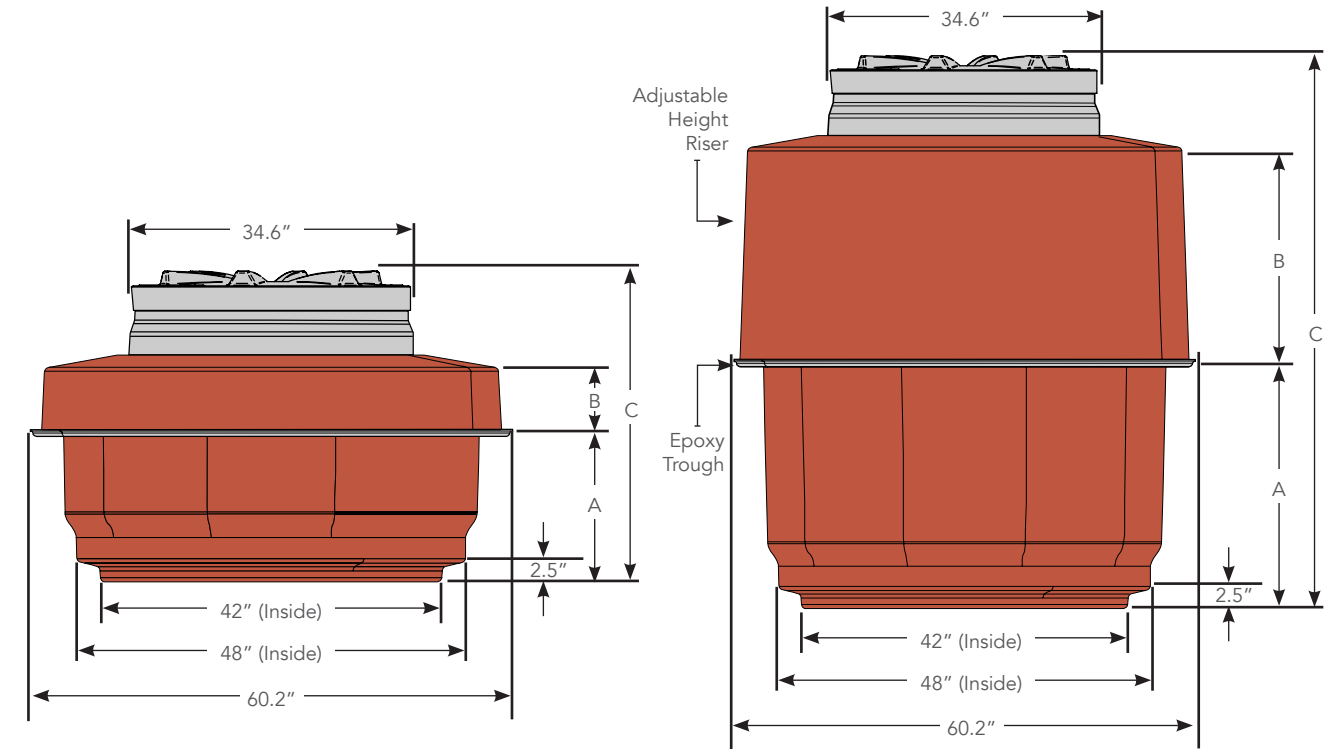
PC4872U

PC4840U



INSPECTION PORT

Optional 4" inspection port allows quick and easy inspection without removing entire cover. IP4000-1



PRODUCT SIZES*

Part No.	Base Height (A)	Adjustable Height (B)	Overall Height (C)
PC4840U	19"	0" - 8"	32" - 40"
PC4852U	32"	0" - 8"	44" - 52"
PC4860U	19"	0" - 28"	32" - 60"
PC4872U	32"	0" - 28"	44" - 72"

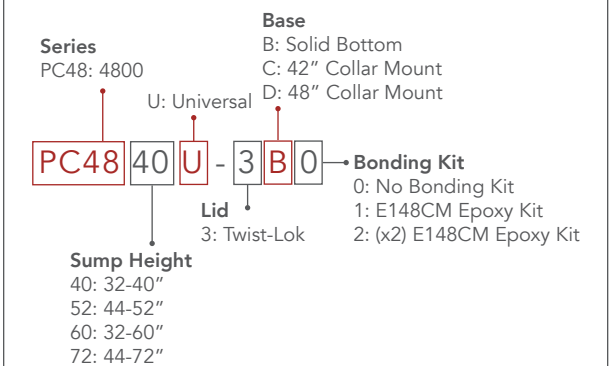
Options (Example: PC48XXU-3XX)

-3B0	Solid Bottom, No Bonding Kit
-3B1	Solid Bottom, E148CM Epoxy Kit
-3B2	Solid Bottom, (x2) E148CM Epoxy Kit
-3C0	42" Collar Mount, No Bonding Kit**
-3C2	42" Collar Mount, (x2) E148CM Epoxy Kit**
-3D0	48" Collar Mount, No Bonding Kit***
-3D2	48" Collar Mount, (x2) E148CM Epoxy Kit***

Optimum lid height is 4" below manhole cover

* Dimensions are based on Solid Bottom sumps only
 ** Subtract 1" if mounting to a 42" tank collar
 *** Subtract 2.5" if mounting to a 48" tank collar

PART NUMBER LEGEND





**TSA SERIES
TANK SUMP ADAPTER**

PCI tank sump adapters provide a secure and economical alternative for installations that do not allow for a collar mounted sump. Their composite construction eliminates flange corrosion and protects steel pipe fittings.

RETROFIT SUMP INSTALLATIONS

The TSA fitting easily adapt the tank, allowing installation of a secondary containment sump

FIBERGLASS FLANGE

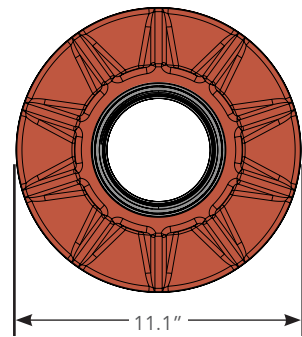
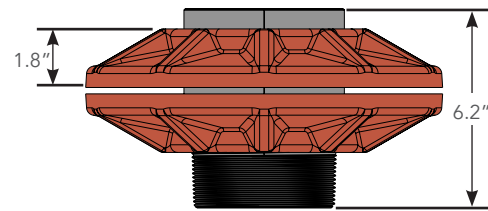
Thick, fiberglass composite flange is heavy-duty to cope with any jobsite and eliminates the need for drilling bolt holes in the bottom of the sump

STAINLESS STEEL OPTIONS

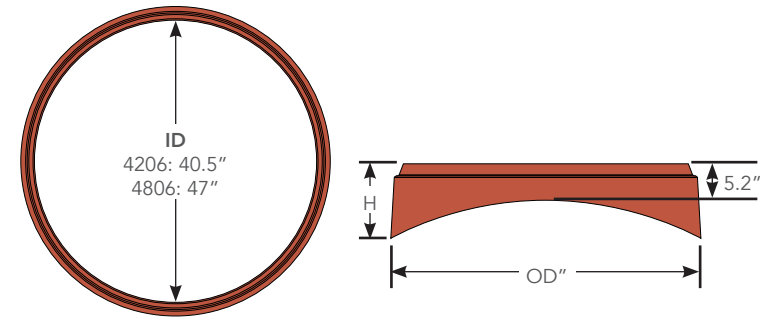
Stainless steel options are available for the most demanding corrosion resistance.

COST-EFFECTIVE

The TSA fitting is the most economical method of installing a water-tight tank sump.



Part No.	Description	OD
TSA400	4" Tank Sump Adapter	11.1"
Additional Components (Order Separately)		
TSA400-IF	4" Tank Sump Adapter Installation Fixture	



Single Wall	Double Wall	Description	OD	H
42" Collars				
4206CL-5	CLRDW4206-5	42" Tank Collar, Fits 5' Tanks	45.2"	15.5"
4206CL-6	CLRDW4206-6	42" Tank Collar, Fits 6' Tanks	44.9"	13.1"
4206CL-7	CLRDW4206-7	42" Tank Collar, Fits 7' Tanks	44.7"	11.7"
4206CL-8	CLRDW4206-8	42" Tank Collar, Fits 8' Tanks	44.6"	10.8"
4206CL-9	CLRDW4206-9	42" Tank Collar, Fits 9' Tanks	44.5"	10.1"
4206CL-10	CLRDW4206-10	42" Tank Collar, Fits 10' Tanks	44.5"	9.5"
4206CL-12	CLRDW4206-12	42" Tank Collar, Fits 12' Tanks	44.4"	8.8"
48" Collars				
4806CL-5	CLRDW4806-5	48" Tank Collar, Fits 5' Tanks	51.7"	20"
4806CL-6	CLRDW4806-6	48" Tank Collar, Fits 6' Tanks	51.2"	15.9"
4806CL-7	CLRDW4806-7	48" Tank Collar, Fits 7' Tanks	51"	13.9"
4806CL-8	CLRDW4806-8	48" Tank Collar, Fits 8' Tanks	50.8"	12.5"
4806CL-9	CLRDW4806-9	48" Tank Collar, Fits 9' Tanks	50.7"	11.6"
4806CL-10	CLRDW4806-10	48" Tank Collar, Fits 10' Tanks	50.6"	10.9"
4806CL-12	CLRDW4806-12	48" Tank Collar, Fits 12' Tanks	50.5"	9.8"



Part No.	Description
42" x 42" Square Collar	
CL4242-5	42x42" Square Collar, Fits 5' Tanks
CL4242-6	42x42" Square Collar, Fits 6' Tanks
CL4242-7	42x42" Square Collar, Fits 7' Tanks
CL4242-8	42x42" Square Collar, Fits 8' Tanks
CL4242-9	42x42" Square Collar, Fits 9' Tanks
CL4242-10	42x42" Square Collar, Fits 10' Tanks
CL4242-12	42x42" Square Collar, Fits 12' Tanks
48" x 48" Square Collar	
CL4848-5	48x48" Square Collar, Fits 5' Tanks
CL4848-6	48x48" Square Collar, Fits 6' Tanks
CL4848-7	48x48" Square Collar, Fits 7' Tanks
CL4848-8	48x48" Square Collar, Fits 8' Tanks
CL4848-9	48x48" Square Collar, Fits 9' Tanks
CL4848-10	48x48" Square Collar, Fits 10' Tanks
CL4848-12	48x48" Square Collar, Fits 12' Tanks



**TANK COLLARS
NEW CONSTRUCTION
& RETROFIT**

Fiberglass tank collars are the most reliable method of tank sump installation. Their rigid construction from UL listed isophthalic fiberglass will provide a sturdy mount while personnel enter and exit the tank sump.

PRECUT - EASY INSTALLATION

Precut for easy installation to fit directly onto 4', 5', 6', 7', 8', 10' and 12' diameter tanks without modification.

UNIVERSAL DESIGN

Tank sumps can be installed with a traditional fiberglass kit or an epoxy kit to make a watertight seal. Collars can be installed directly onto fiberglass, steel and jacketed tanks.

NESTABLE DESIGN

PCI's tank collars use a nestable design which reduces shipping and inventory costs.



PART NUMBER LEGEND

Series
 4206CL: 42" Collar
 CLRDW4206: 42" Double Wall Collar
 4806CL: 48" Collar
 CLRDW4806: 48" Double Wall Collar
 CL4242: 42" Square Collar
 CL4848: 48" Square Collar

Tank Size
 5: 5' Dia. Tanks
 6: 6' Dia. Tanks
 7: 7' Dia. Tanks
 8: 8' Dia. Tanks
 10: 10' Dia. Tanks
 12: 12' Dia. Tanks

4206CL - 5



TSM SERIES TRANSITION SUMPS

TSM Series multi-body transition sumps are some of the most versatile sumps in the marketplace. The epoxy trough eliminates field fiberglass work and the square design offers large piping surfaces. Many combinations of bases and risers available to best suit individual jobsite requirements. The TSM series also features optional collar mount bases for use as tank sumps, expanding the versatility of the product line.



TSM484860-3B0



INSPECTION PORT

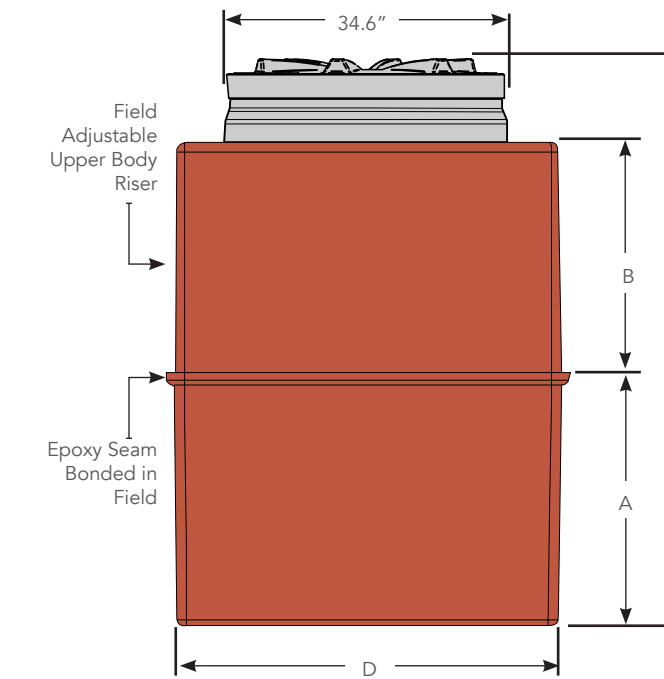
Optional 4" inspection port allows quick and easy inspection without removing entire cover.
IP4000-1

CUSTOM SIZES AVAILABLE

Various sizes and options are available to meet any job-site or customer specifications upon request.

VERSATILE

Collar mount bases allow the TSM Series to be used as tank sumps.



PRODUCT SIZES*

Part No.	Base Height (A)	Adjustable Height (B)	Overall Height (C)	Width (D)
TSM363630B	18"	4" - 12"	28" - 36"	36"
TSM484836B	18"	4" - 18"	32" - 46"	48"
TSM484848D	30"	4" - 18"	44" - 58"	48"
TSM606048D	30"	4" - 18"	44" - 58"	60"
TSM606060D	30"	4" - 30"	44" - 70"	60"
TSM484836BU	18"	4" - 18"	38" - 52"	48"
TSM484848DU	30"	4" - 18"	44" - 64"	48"
TSM606048DU	30"	4" - 18"	44" - 64"	60"
TSM606060DU	30"	4" - 30"	44" - 76"	60"

Options (Example: TSMXXXXXX-3XX)

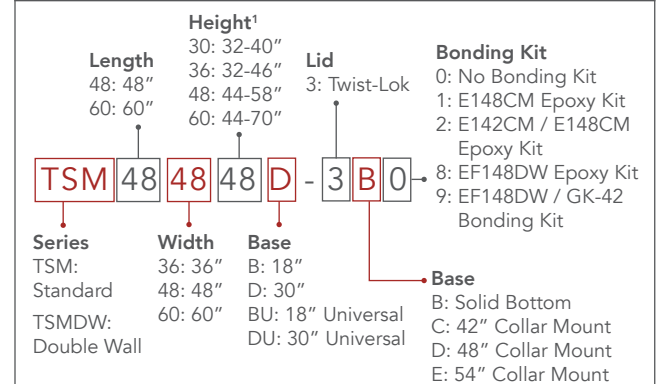
-3B0	Solid Bottom, No Bonding Kit
-3B1	Solid Bottom, E148CM Epoxy Kit
-3C0*	42" Collar Mount, No Bonding Kit
-3C2*	42" Collar Mount, E142CM / E148CM Epoxy Kit
-3D0**	48" Collar Mount, No Bonding Kit
-3D2**	48" Collar Mount, E142CM / E148CM Epoxy Kit
-3E0**	54" Collar Mount, No Bonding Kit
-3E2**	54" Collar Mount, E142CM / E148CM Epoxy Kit

Additional Models and Options are Available
Double Wall Models & Options Available, See Page 36-37

* 42" Collar mount options are available on TSM4848XXU and TSM6060XXU models only

** Only available for TSM6060XXU models.

PART NUMBER LEGEND



*Universal Bottom adds 6" to height



TS SERIES - GRADE LEVEL TRANSITION SUMPS

Transition Sumps are the most versatile containment sump. They can be used to transition from above ground steel pipe to underground fiberglass or flex piping for use with an AST or vent lines. They can also be used as an intermediate sump for a system low point, or to contain accessible equipment such as underground ball valves.



TS372929-5B0
Utilized as a vent box or an AST transition

TS462929-4B0
For grade level in non-traffic areas

FORGED STEEL COUPLINGS

Forged Steel Couplings will not deteriorate or crack from UV exposure.

LARGE ACCESS OPENING

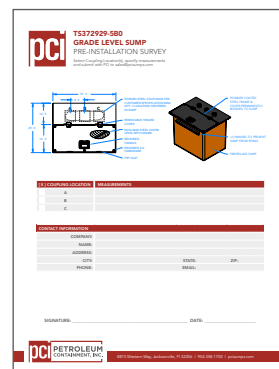
More space makes for easy installation and service

STAINLESS STEEL OPTIONS

We offer stainless steel options to best suit your installation requirements

CUSTOM SIZES AVAILABLE

Various sizes and options are available to meet any job-site or customer specifications upon request.



PRE-INSTALLATION SURVEY

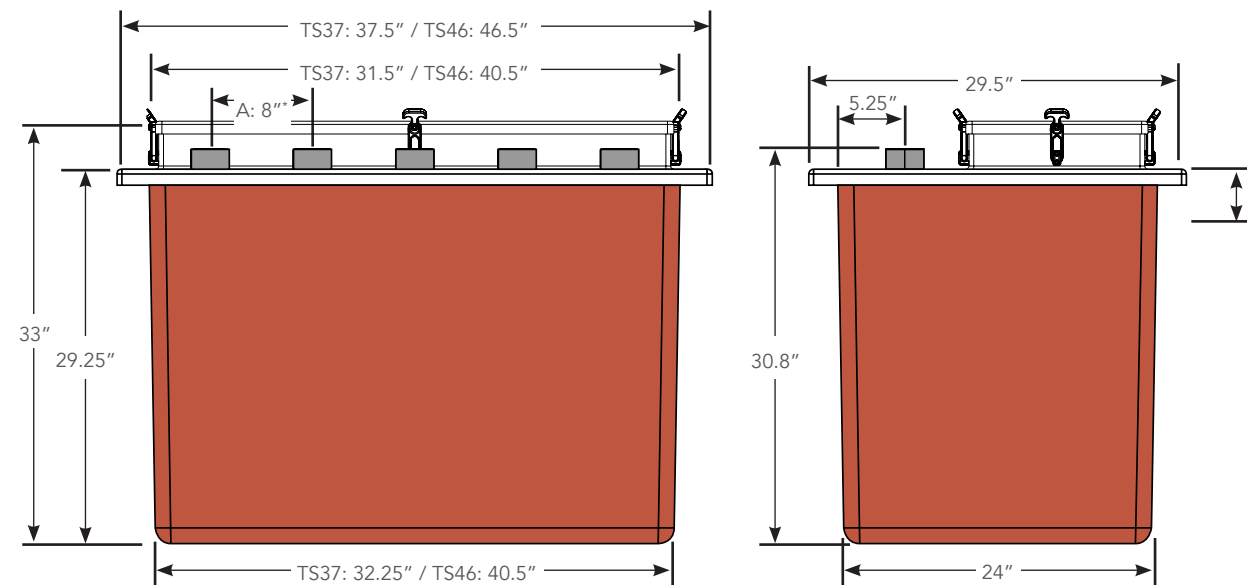
Allows you to specify coupling locations and measurements

DOUBLE WALL OPTIONS SEE PAGES 38-39

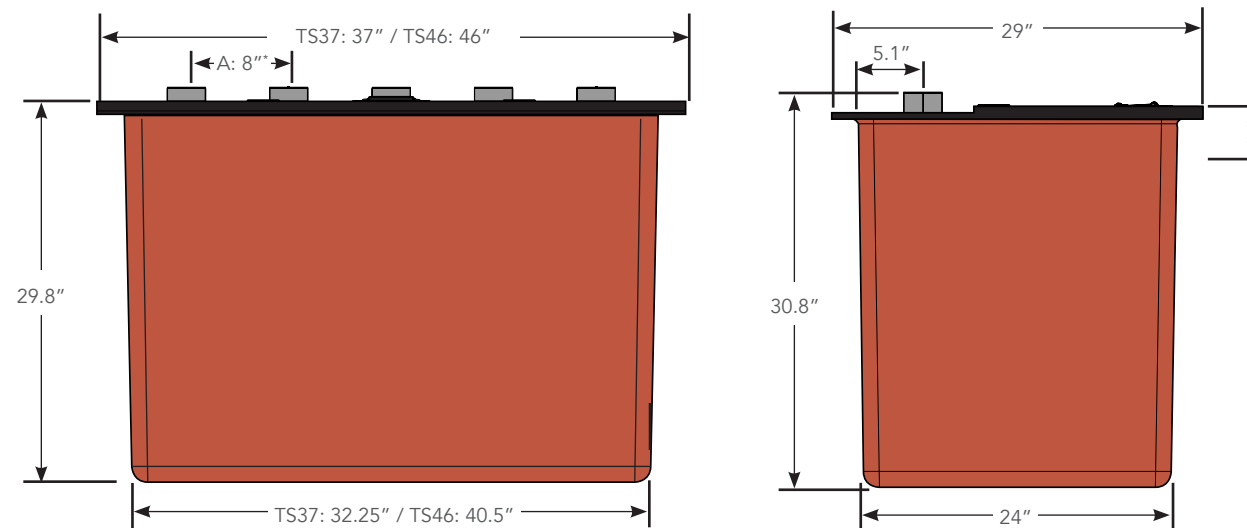
Available in double wall for a variety of monitoring options to satisfy local regulations and requirements. From dry fluid or fluid filled interstitial to vacuum interstice monitoring, PCI has all options to best fit your installation and compliance needs.



DIMENSIONS WITH -4B0 RAIN-TITE COVER



DIMENSIONS WITH -5B0 / -6B0 DIAMOND PLATE COVER



Single Wall	Length	Width	Height	Max. Couplings
TS372929	37"	29"	29"	3
TS462929	46"	29"	29"	5*

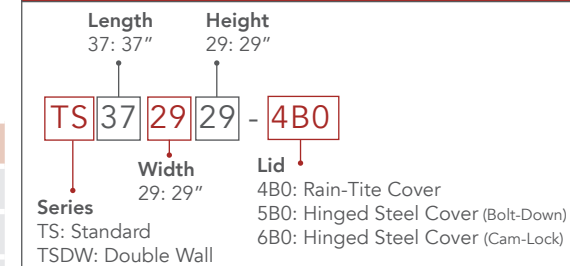
Options (Example: TS372929-5B0)

-4B0	Rain-Tite Cover with Steel Couplings
-5B0	Hinged Diamond Plate Steel Cover (Bolt-Down)
-6B0	Hinged Diamond Plate Steel Cover (Cam-Lock)

Additional Components (Order Separately)

CPLG-1	1" Forged Steel Coupling
CPLG-1SS	1" Forged Stainless Steel Coupling
CPLG-2	2" Forged Steel Coupling
CPLG-2SS	2" Forged Stainless Steel Coupling
CPLG-3	3" Forged Steel Coupling
CPLG-4	4" Forged Steel Coupling

PART NUMBER LEGEND



Vent Line Support Racks

VLSR-96X40	8' Vent Rack for TS37
VLSR-96X48	8' Vent Rack for TS46
VLSR-MB	Brackets for Vent Rack (Set of 2)

*Dimension A
If 5 couplings are used, spacing is 7.75"



TANK SUMP QUICK REFERENCE CHART

PCI Part No.	Tank Burial Depth (in)			
	36"	48"	60"	72"
42" COLLAR MOUNT				
PCM4233-3C0	•			
PCM4233-3C2	•			
PCM4248-3C0	•	•		
PCM4248-3C2	•	•		
PCM4255-3C0	•	•	•	
PCM4255-3C2	•	•	•	
PC4540U-3C0	•			
PC4540U-3C2	•			
PC4540U-3C4	•			
PC4550U-3C0	•	•		
PC4550U-3C2	•	•		
PC4550U-3C4	•	•		
PC4560U-3C0	•	•	•	
PC4560U-3C2	•	•	•	
PC4560U-3C4	•	•	•	
PC4840U-3C0		•		
PC4840U-3C2		•		
PC4852U-3C0			•	
PC4852U-3C2			•	
PC4860U-3C0		•	•	
PC4860U-3C2		•	•	
PC4872U-3C0			•	•
PC4872U-3C2			•	•
48" COLLAR MOUNT				
PC4840U-3D0		•		
PC4840U-3D2		•		
PC4852U-3D0			•	
PC4852U-3D2			•	
PC4860U-3D0		•	•	
PC4860U-3D2		•	•	
PC4872U-3D0			•	•
PC4872U-3D2			•	•
PCM4840-3D0		•		
PCM4840-3D2		•		
PCM4852-3D0		•	•	
PCM4852-3D2		•	•	
PCM4860-3D0		•	•	
PCM4860-3D2		•	•	
PCM4872-3D0		•	•	•
PCM4872-3D2		•	•	•

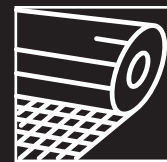
PCI Part No.	Tank Burial Depth (in)			
	36"	48"	60"	72"
PC4224-CB0	•			
PC4224-CB1	•			
PC4224-CB4	•			
PC4230-3B0	•			
PC4230-3B1	•			
PC4230-3B4	•			
PC4240-3B0	•	•		
PC4240-3B1	•	•		
PC4240-3B4	•	•		
PC4240-CB0	•	•		
PC4240-CB1	•	•		
PC4240-CB4	•	•		
PC4250-3B0	•	•	•	
PC4250-3B1	•	•	•	
PC4250-3B4	•	•	•	
PC4250-CB0	•	•	•	
PC4250-CB1	•	•	•	
PC4250-CB4	•	•	•	
PC4540U-3B0	•			
PC4540U-3B1	•			
PC4540U-3B2	•			
PC4540U-3B3	•			
PC4540U-3B4	•			
PC4550U-3B0	•	•		
PC4550U-3B1	•	•		
PC4550U-3B2	•	•		
PC4550U-3B3	•	•		
PC4550U-3B4	•	•		
PC4560U-3B0	•	•	•	
PC4560U-3B1	•	•	•	
PC4560U-3B2	•	•	•	
PC4560U-3B3	•	•	•	
PC4560U-3B4	•	•	•	
PC4840U-3B0		•		
PC4840U-3B1		•		
PC4840U-3B2		•		
PC4840U-3B3		•		
PC4840U-3B4		•		
PC4840U-3B0		•		
PC4840U-3B1		•		
PC4840U-3B2		•		
PC4852U-3B0			•	
PC4852U-3B1			•	
PC4852U-3B2			•	
PC4860U-3B0		•	•	
PC4860U-3B1		•	•	
PC4860U-3B2		•	•	
PC4872U-3B0			•	•
PC4872U-3B1			•	•
PC4872U-3B2			•	•

FIBERGLASS DISPENSER SUMPS

The following features are standard on all PCI dispenser sumps. We continually look to innovate and engineer products that truly exceed secondary containment standards. We pride ourselves on engineering with intent to provide the highest quality and value while ensuring a permanent solution that helps ensure smooth installation and service.



THE PCI DIFFERENCE



100% FIBERGLASS

100% high quality, non-corrosive fiberglass provides long-term reliable containment from fuel exposure without voiding warranty, warping, cracking or becoming brittle.



'BRITE-WHITE' INTERIOR

Our signature 'Brite-White' interior reflects light for better visibility and makes identifying leak points easier.



SINGLE PIECE CONSTRUCTION

All of our dispenser sumps are constructed as a single piece which eliminates any seams and provides less places for water penetration.



1" COMPOSITE RAINLIP

The 1" composite rain lip protrudes from the bottom of the dispenser to prevent surface water from entering the sump. This also offers better protection against rust and corrosion than metallic rainlips.



DUO-MOLDED TECHNOLOGY

Our fiberglass sumps utilizes Duo-Molded Technology. Using premium raw materials with a high glass content, we create two layers of fiberglass, offering superior strength and fuel resistance.



Translucent Fiberglass Finish
Brite-White Fiberglass Interior



UNIVERSAL STABILIZER BARS

Universal stabilizer bars with 3-axis adjustment accommodate multi-product dispensers without displacing product lines and ensure proper load transfer in case of an impact from any direction.



OPTIONS AVAILABLE

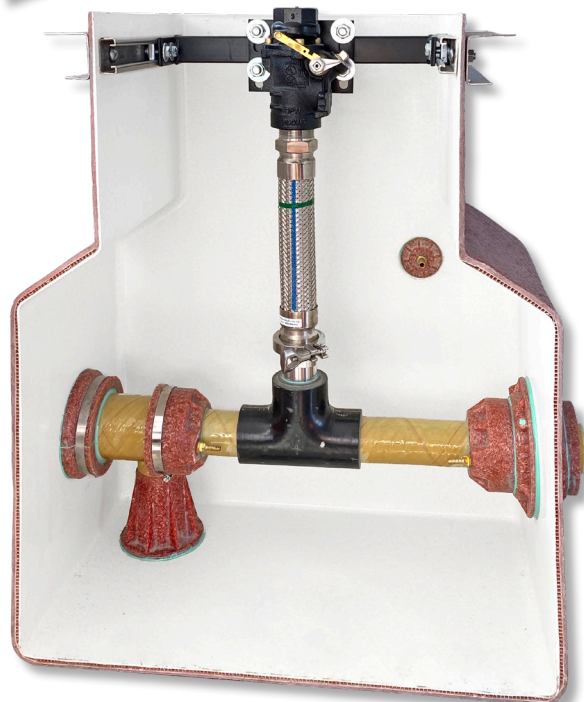


PRE-PLUMBED SERVICE DISPENSER SUMPS

PCI's Dispenser Sumps are available with completely customizable pre-plumb service built to customer's specifications. Our pre-plumb dispenser sumps are built in a production line process to ensure reliability and cut down on potential installation errors.



PP-RSC
Pre-Plumbed RSC



PPDW-RSC
Pre-Plumbed RSC Double Wall

INCLUDE INTERNAL PIPING

PCI's True Pre-Plumb service includes all internal piping from the shear valve to penetration.

CUSTOMIZABLE

Our pre-plumb selection guide allows you to customize your dispenser and ensure it's built to customer's specifications.

PARTIAL OR FULL PRE-PLUMB AVAILABLE

Depending on the site's installation needs, we can create a full or partial pre-plumbed sump.

FACTORY TESTED

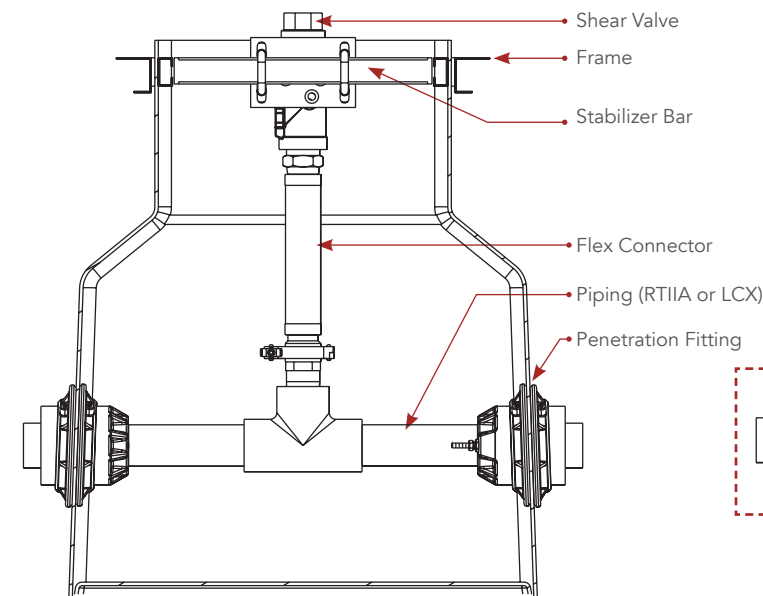
Full pre-plumb dispenser sumps are completely hydrostatically and pressure tested prior to shipment eliminating the need for any field labor.



FULL PRE-PLUMB

Shear Valve to Penetration

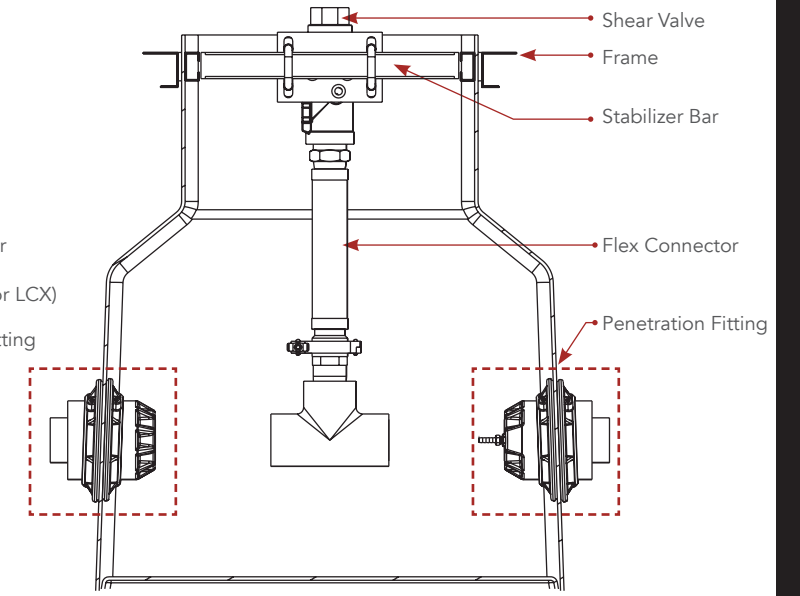
- Available for Fiberglass Pipe



PARTIAL PRE-PLUMB

Shear Valve to Flex Connector

- Available for Flex, Fusion and Fiberglass Pipe



ORDERING REQUIREMENTS

SUBMIT PRE-PLUMB SELECTION GUIDE

The Pre-Plumb selection guide allows you to completely customize your pre-plumbed dispenser.

- Dispenser Model & Product Configuration
- Penetration Fitting
- SVA Material (Powder Coated or Stainless Steel)
- Frame Material (Galvanized or Stainless Steel)
- Piping
- Sump Type
- Flex Connector
- Shear Valve

BUILT TO YOUR SPECIFICATIONS

PCI reviews your selection guide and creates a custom dispenser sump based on your specifications. It is built through our repeatable and controlled production process. Prior to shipment, the sump is hydrostatically and pressure tested.

Pre-Plumb Selection Guide for Gilbarco Encore

Company: PETROLEUM CONTAINMENT, INC. | Date Submitted: | Date Approved: | Revision: | Shear Valve: OPW

Project Name: | Quote No.: | SO: |

Penetration Fitting: PCI, NOV | SVA Material: Powder Coated, Stainless Steel | Frame Material: Galvanized, Stainless Steel | Piping: Red Thread II, Dusky LCX | Flex Connector: 12" MAMQF, 15" MAMQF, 18" MAMQF

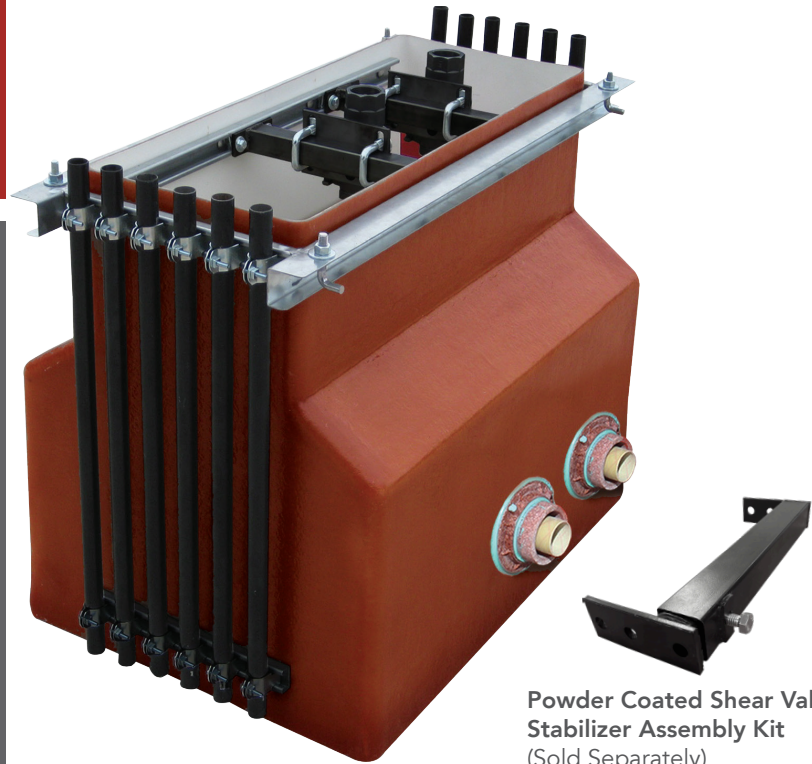
Notes: | Dispenser Sump Series: RSA, RSC | DCL, DP | EMCO: 1-1/2" DP Female, 2" DP Female, 10-1/2" DP Female



HOT

**RSC SERIES
DISPENSER SUMPS**

PCI's RSC (Reduced Steel Conduitless) dispenser sump offers our quality fiberglass in a cost-effective design. Our reduced galvanized steel frame offers excellent corrosion resistance.



Powder Coated Shear Valve Stabilizer Assembly Kit (Sold Separately)

ADJUSTABLE HEIGHT
Designed and engineered to allow up to 6" of field adjustment helps ensure proper slope once penetration fittings have been installed off location.

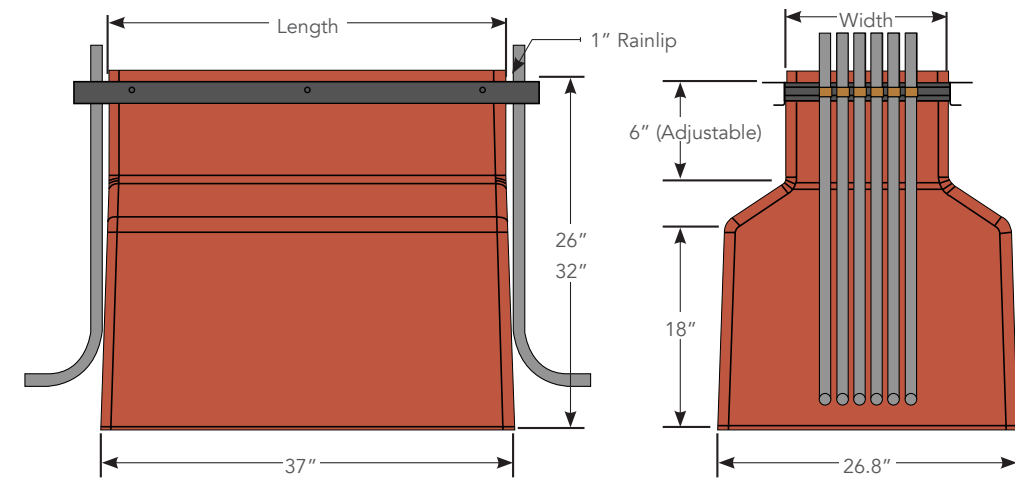
WIDE-BODY DESIGN
Allows ample space for up to 4 Pass-Thru plumbing configurations in a single sump while our tapered top fits inside the most narrow island forms.

DUAL CONDUITLESS ENTRY
Conduit mounting channel is engineered directly into both ends of the steel frame to allow electrical entry in the bottom of the dispenser without penetrating the sump wall.

PART NUMBER LEGEND			
Series		Length	
RSC: Standard		206: 20.75"	
RSCDW: Double Wall		260: 26"	
		360: 36"	
Width		Suffix (PCI Internal Identifier)	
146: 14.75"		A: Atlas	
120: 12"		B: Bennett	
174: 17.5"		H: Helix	
154: 15.5"		HV: High Speed Vista	
112: 11.25"		X: No Rainlip	
		DEF: Separate DEF Compartment	

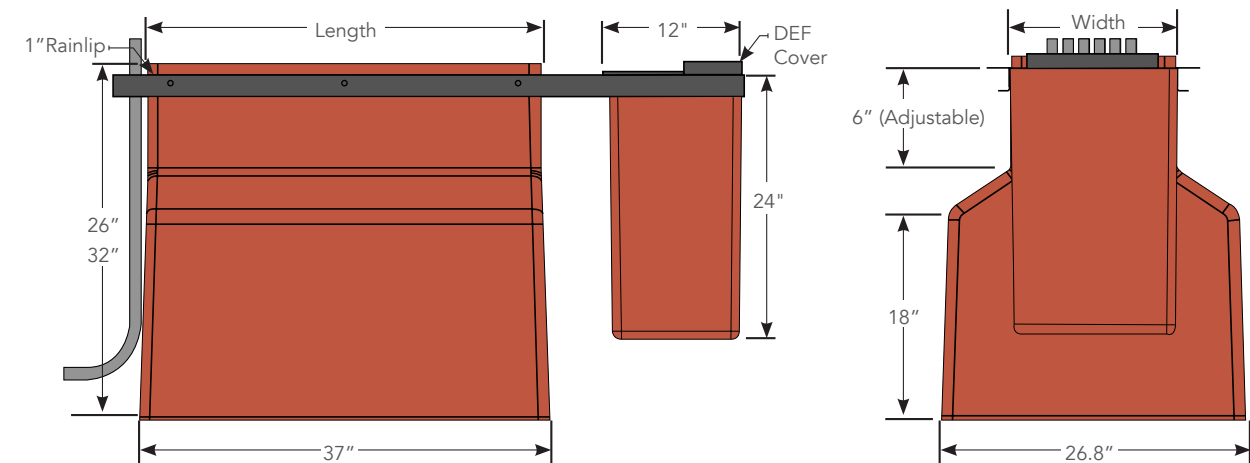
DOUBLE WALL OPTIONS AVAILABLE - SEE PAGES 40-41

Available in double wall for a variety of monitoring options to satisfy local regulations and requirements. From dry fluid or fluid filled interstitial to vacuum interstice monitoring, PCI has all options to best fit your installation and compliance needs.



Dispenser Model	RSC Series	Width	Length	Stabilizer Kit
Bennett Pacific	RSC146360B	14.75"	36"	SVU-L
Bennett 3000	RSC120206	12"	20.75"	SVU-S
Gasboy Atlas	RSC120206A	12"	20.75"	SVU-S
Gilbarco Encore	RSC174360	17.5"	36"	SVU-L
Gilbarco Legacy	RSC120206X	12"	20.75"	SVU-S
Wayne Century	RSC154260	15.5"	26"	SVU-L
Wayne Helix 5000	RSC174360H	17.5"	36"	SVU-L
Wayne Reliance	RSC154260	15.5"	26"	SVU-L
Wayne Select	RSC154260	15.5"	26"	SVU-L
Wayne Ovation	RSC146360	14.75"	36"	SVU-L
Wayne Vista (UHC) HS3, HS4	RSC154260HV	15.5"	26"	SVU-L
Wayne Vista 48"	RSC112360	11.25"	36"	SVU-S

Note: Additional Models Available For Double Wall Dispenser Sumps & Options, See Pages 40-41



Dispenser Model	RSC Series	Width	Length	Stabilizer Kit
Bennett BigFueller w/ DEF	RSC120206DEF	12"	20.75"	SVU-S/SVU-S
Bennett BigFueller w/ Dual DEF	RSC120206DEF-2	12"	20.75"	SVU-S/SVU-S
Gilbarco Encore w/ DEF	RSC174360DEF	17.5"	36"	SVU-L/SVU-L
Wayne Ovation HS w/ DEF	RSC154260DEF	15.5"	26"	SVU-L/SVU-L

Note: Additional Models Available



DP SERIES DISPENSER SUMPS

The DP (Dispenser Pan) Series Dispenser Sumps are the most affordable fiberglass dispenser sump on the market. The is the shallowest dispenser sump PCI manufactures that can still accommodate a flex connector.

SHALLOW BURIAL DEPTH

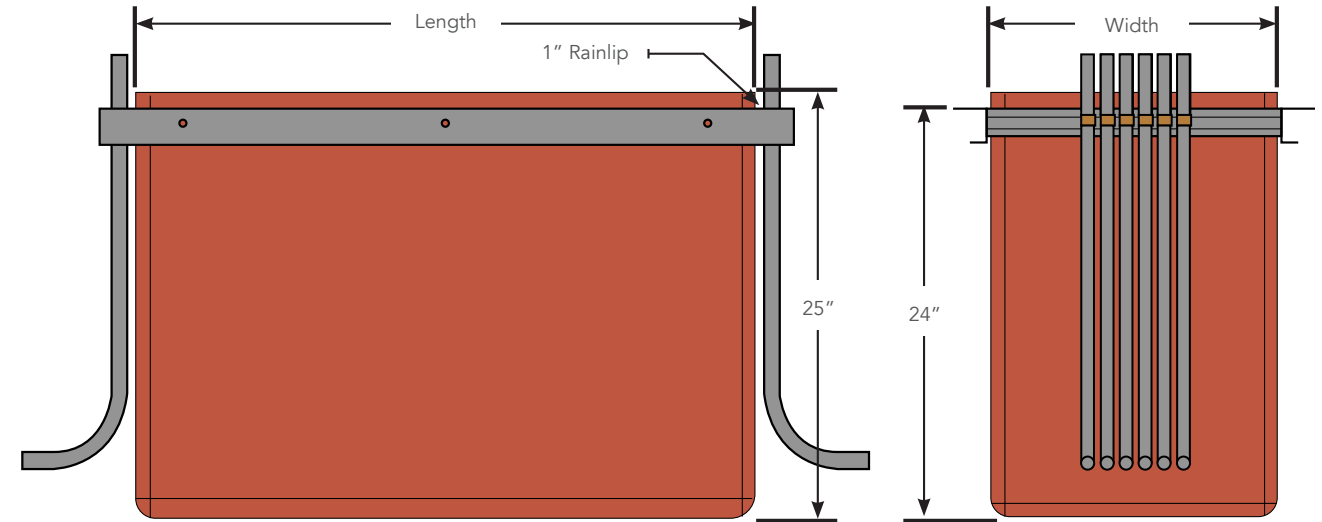
Shallowest dispenser sump that PCI manufactures, that can still accommodate a flex connector

DUAL CONDUITLESS ENTRY

Conduit mounting channel is engineered directly into both ends of the steel frame to allow electrical entry in the bottom of the dispenser without penetrating the sump wall.



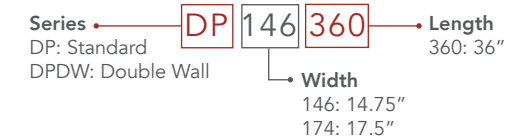
Powder Coated Shear Valve Stabilizer Assembly Kit (Sold Separately)



Dispenser Model	DP Series	Width	Length	Stabilizer Kit
Gilbarco Encore	DP174360	17.5"	36"	SVU-L
Wayne Ovation	DP146360	14.75"	36"	SVU-L

Note: Additional Models Available For Double Wall Dispenser Sumps & Options, See Pages 40-41

PART NUMBER LEGEND



DOUBLE WALL OPTIONS AVAILABLE - SEE PAGES 40-41

Available in double wall for a variety of monitoring options to satisfy local regulations and requirements. From dry fluid or fluid filled interstitial to vacuum interstice monitoring, PCI has all options to best fit your installation and compliance needs.





CLE / CLS SERIES DISPENSER SUMPS

PCI's CLE / CLS dispenser sumps offer quality and dependability in a fiberglass constructed body with a heavy gauge steel frame. It is also available with a dual compartment for DEF in our DEF series.

5-PRODUCT ENTRIES

Extra long sump wall has room for up to five product entries.

HEAVY-GAUGE STEEL FRAMES

The dispenser sump frame is manufactured from heavy gauge steel, providing strength and rigidity, and is designed to lock into the concrete foundation.

SINGLE CONDUITLESS ENTRY

Conduit is allowed to enter into the bottom of the dispenser without penetrating the sump walls. Less entries require less penetration fittings and provide less risk for water intrusion.

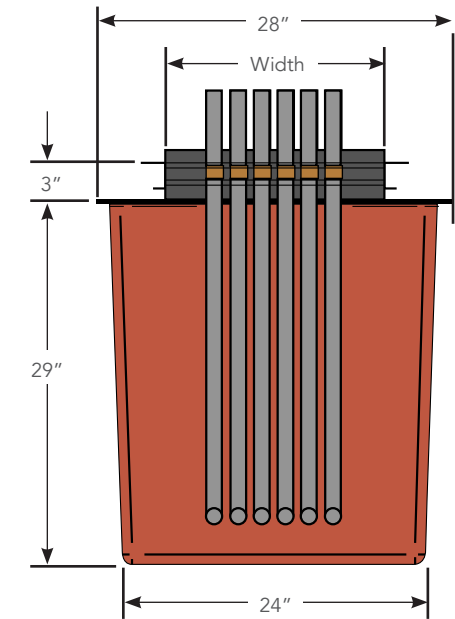
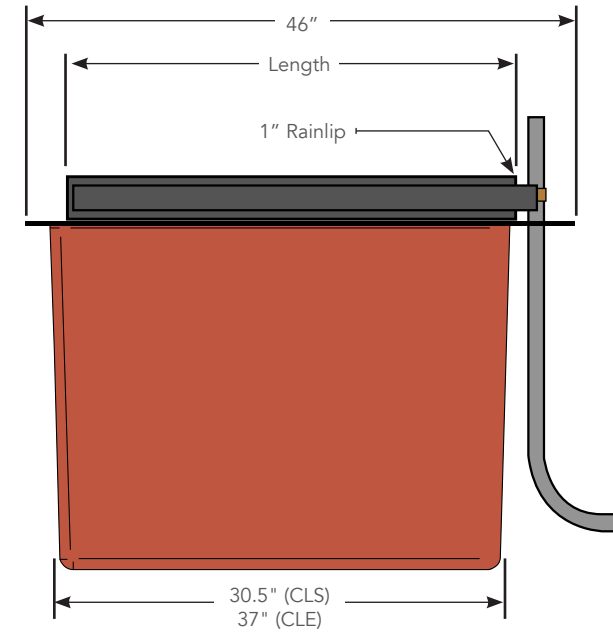


Powder Coated Shear Valve Stabilizer Assembly Kit (Sold Separately)



NESTABLE

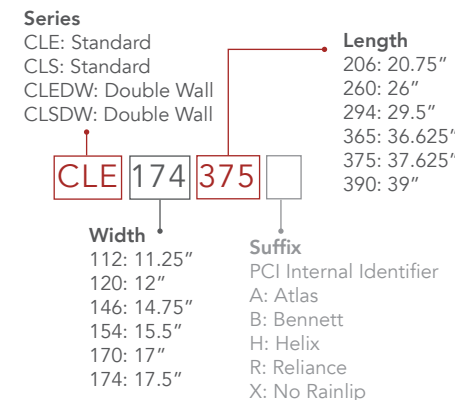
Multiple sumps can be stacked and nested together to significantly reduce shipping costs and simplify inventory by storing more sumps on less pallets.



Dispenser Model	Standard	Width	Length	Stabilizer Kit
Bennett Pacific	CLE146390B	14.75"	39"	SVU-L
Bennett 3000	CLS120206	12"	20.75"	SVU-S
Gasboy Atlas	CLS120206A	12"	20.75"	SVU-S
Gilbarco Encore	CLE174375	17.5"	37.5"	SVU-L
Gilbarco Legacy	CLS120206X	12"	20.75"	SVU-S
Wayne Century	CLE154260	15.5"	26"	SVU-L
Wayne Reliance	CLS154260R	15.5"	26"	SVU-L
Wayne Select	CLS154260	15.5"	26"	SVU-L
Wayne Ovation	CLE146390	14.75"	39"	SVU-L
Wayne Vista (UHC) HS3, HS4	CLS154294	15.5"	29.5"	SVU-L
Wayne Vista (48")	CLE112376	11.25"	37.5"	SVU-S
Wayne Helix 4000	CLS170260	17"	26"	SVU-L
Wayne Helix 5000	CLE170365	17"	36.625"	SVU-L

Note: Additional Models Available For Double Wall Dispenser Sumps & Options, See Pages 40-41

PART NUMBER LEGEND



DOUBLE WALL OPTIONS AVAILABLE - SEE PAGES 40-41

Available in double wall for a variety of monitoring options to satisfy local regulations and requirements. From dry fluid or fluid filled interstitial to vacuum interstice monitoring, PCI has all options to best fit your installation and compliance needs.



DCL SERIES DISPENSER SUMPS

The DCL Series sumps are engineered with intent and offer a watertight solution. Its double conduitless design eliminates unnecessary penetrations by allowing electrical conduits to enter into the dispenser at both ends without penetrating the sump walls.



Powder Coated Shear Valve Stabilizer Assembly Kit (Sold Separately)



NESTABLE

Multiple sumps can be stacked and nested together to significantly reduce shipping costs and simplify inventory by storing more sumps on less pallets.

5-PRODUCT ENTRIES

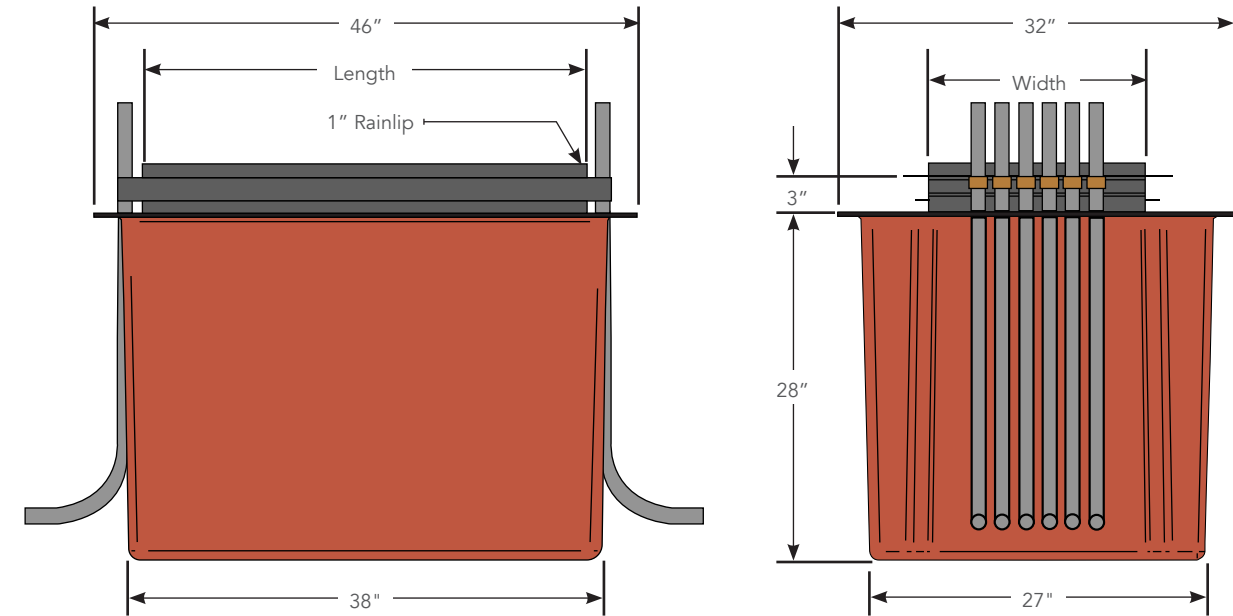
Extra long sump wall has room for up to five product entries.

HEAVY-GAUGE STEEL FRAMES

The dispenser sump frame is manufactured from heavy gauge steel, providing strength and rigidity, and is designed to lock into the concrete foundation.

DUAL CONDUITLESS ENTRY

Electrical Conduit can enter the dispenser without penetrating the sump walls, creating less risk for water intrusion



Dispenser Model	DCL Series	Width	Length	Stabilizer Kit
Bennett Pacific	DCL146360B	14.75"	36"	SVU-L
Gilbarco Encore	DCL174360	17.5"	36"	SVU-L
Wayne Helix 5000	DCL170370	17"	37"	SVU-L
Wayne Ovation	DCL146360	14.75"	36"	SVU-L
Wayne Vista (48")	DCL112360	11.25"	36"	SVU-S

Note: Additional Models Available For Double Wall Dispenser Sumps & Options, See Pages 40-41

PART NUMBER LEGEND

Series	Length
DCL: Standard	360: 36"
DCLDW: Double Wall	370: 37"

DCL	146	360	
Width	112: 11.25"	Suffix	PCI Internal Identifier
	146: 14.75"		B: Bennett
	170: 17"		
	174: 17.5"		

DOUBLE WALL OPTIONS AVAILABLE - SEE PAGES 40-41

Available in double wall for a variety of monitoring options to satisfy local regulations and requirements. From dry fluid or fluid filled interstitial to vacuum interstice monitoring, PCI has all options to best fit your installation and compliance needs.



DEF SERIES DISPENSER SUMPS

The DEF series dispenser sumps feature all the same benefits as the CLE and CLS but includes an internal partition to separate the Diesel fuel from the DEF fuel within the sump.



Dual Compartment

An internal containment compartment separates fuel products from DEF (Diesel Exhaust Fluid) while still utilizing a single powder coated steel frame.

HEAVY-GAUGE STEEL FRAMES

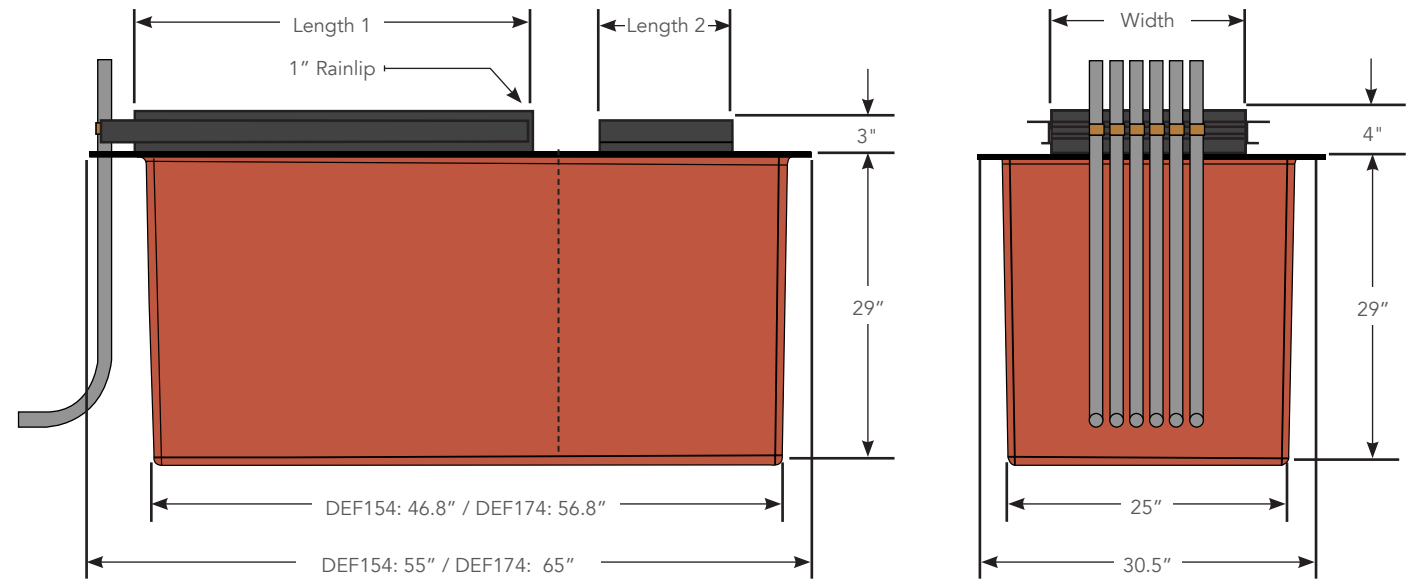
The dispenser sump frame is manufactured from heavy gauge steel, providing strength and rigidity, and is designed to lock into the concrete foundation.

SINGLE CONDUITLESS ENTRY

Electrical Conduit can enter into the bottom of the dispenser without penetrating the sump walls, creating less risk for water intrusion.



Powder Coated Shear Valve Stabilizer Assembly Kit
(Sold Separately)



Dispenser Model	DEF Series	Stabilizer Kit	Length 1	Length 2	Width
Gilbarco Encore w/ DEF	DEF174360	SVU-L/SVA800DEF	36"	12"	17.5"
Wayne Ovation HS w/ DEF	DEF154282O	SVU-L/SVU-S	28.25"	18"	15.5"
Wayne Vista HS w/ DEF	DEF154282V	SVU-L/SVU-S	28.25"	17"	15.5"

For Double Wall Dispenser Sumps & Options, See Pages 40-41

PART NUMBER LEGEND

Series	Length
DEF: Standard	282: 28.25"
DEFDW: Double Wall	360: 36"

DEF	174	360	
	Width		Suffix
	154: 15.5"		O: Ovation
	174: 17.5"		V: Vista

DOUBLE WALL OPTIONS AVAILABLE - SEE PAGES 40-41

Available in double wall for a variety of monitoring options to satisfy local regulations and requirements. From dry fluid or fluid filled interstitial to vacuum interstice monitoring, PCI has all options to best fit your installation and compliance needs.



DOUBLE WALL TANK SUMPS



PCI's Double Wall fiberglass tank sumps come in a variety of sizes and can be used with a variety of monitoring and testing options to satisfy local regulations.



PCMDW4850



TSMDW484860

INTERSTITIAL MONITORING

PCI's double wall tank sumps allow for periodic or continuous interstitial monitoring to detect liquid. Continuous monitoring eliminates the need for integrity tests.

COMPATIBLE TESTING

Our double wall tank sumps are compatible with the following testing methods:

- Dry Interstitial
- Vacuum Monitored
- Fluid Filled

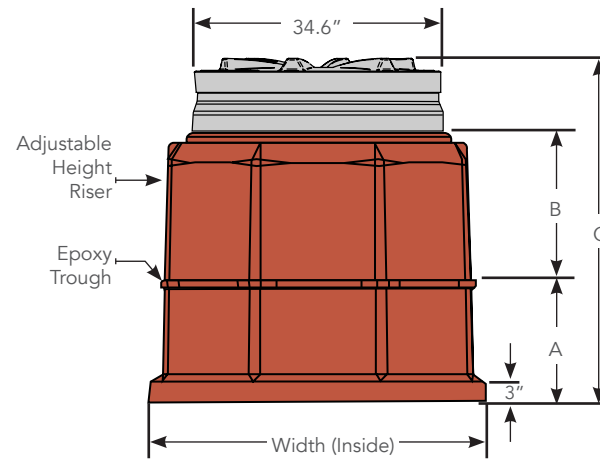
VPH COMPLIANT

SHIPPED UNDER VACUUM

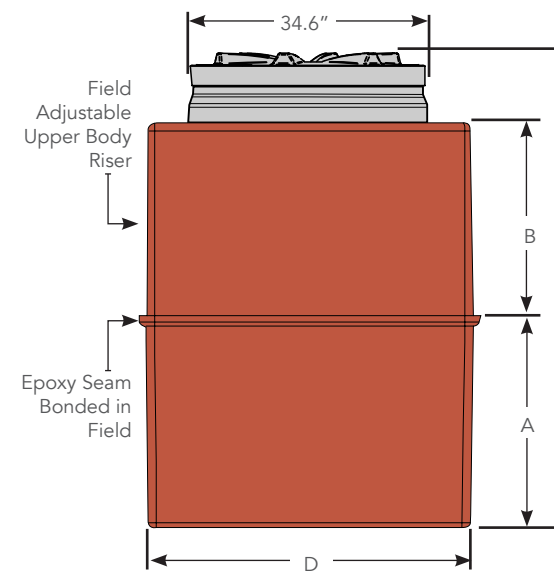
Double wall tank sumps are pre-tested and shipped under vacuum with the vacuum gauge installed for verification of sealed interstitial space.



PCM DOUBLE WALL OCTAGON TANK SUMPS



TSM DOUBLE WALL TANK SUMPS



Double Wall	Collar Diameter	Base Height (A)	Adjustable Height (B)	Overall Height (C)
PCMDW4250	42"	21"	0" - 18"	32" - 50"
PCMDW4850	48"	18"	0" - 21"	29" - 50"

Options				
-3C9	42" Collar Mount, (2) EF148DW Epoxy Kit & (x2) GK-42 Fiberglass Kits			
-3D9	48" Collar Mount, (2) EF148DW Epoxy Kit & (x2) GK-42 Fiberglass Kits			

Additional Models and Options are Available

Double Wall Models	Base Height (A)	Adjustable Height (B)	Overall Height (C)	Width (D)
TSMDW484836B	18"	4" - 18"	32" - 46"	48"
TSMDW484848D	30"	4" - 18"	44" - 58"	48"
TSMDW606048D	30"	4" - 18"	44" - 58"	60"
TSMDW606060D	30"	4" - 30"	44" - 70"	60"
TSMDW484836BU	18"	4" - 18"	38" - 52"	48"
TSMDW484848DU	30"	4" - 18"	44" - 64"	48"
TSMDW606048DU	30"	4" - 18"	44" - 64"	60"
TSMDW606060DU	30"	4" - 30"	44" - 76"	60"

Options (Example: TSMXXXXXX-3XX)	
-3B8	Solid Bottom, Includes (2) EF148DW Epoxy Kits
-3C9	Collar Mount, Includes (2) EF148DW Epoxy Kit & (x2) GK-42 Fiberglass Kits
-3D9	48" Collar Mount, Includes (2) EF148DW Epoxy Kits & (2) GK-42 Fiberglass Kits
-3E9	54" Collar Mount, Includes (2) EF148DW Epoxy Kits & (2) GK-42 Fiberglass Kits

Additional Models and Options are Available

Additional Components (Ordered Separately)	
EQP-DW-VAC	Vacuum Kit (Required for all Double Wall Sumps)
IF-5GAL	Interstitial Fluid, 5 Gallons (Required for Double Wall Sumps with Fluid Filled Interstice)
EQP-IF-ADP-UC	Interstitial Fluid Adapter Kit (Required for Double Wall Dispenser & Grade Level Transition Sumps)
EQP-IF-ADP-PC	Interstitial Fluid Adapter Kit (Required for Double Wall Tank & Below Grade Transition Sumps)
Double Wall Tank Collars	See page 17



INSPECTION PORT

Optional 4" inspection port allows quick and easy inspection without removing entire cover. IP4000-1



**TS SERIES
GRADE LEVEL
TRANSITION SUMPS**



Transition Sumps are the most versatile containment sump. They can be used to transition from above ground steel pipe to underground fiberglass or flex piping for use with an AST or vent lines. They can also be used as an intermediate sump for a system low point, or to contain accessible equipment such as underground ball valves.



TS372929-5B0
Utilized as a vent box or an AST transition

TS462929-4B0
For grade level in non-traffic areas

FORGED STEEL COUPLINGS

Forged Steel Couplings will not deteriorate or crack from UV exposure.

LARGE ACCESS OPENING

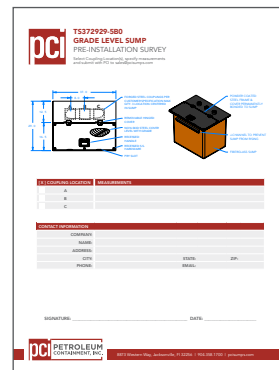
More space makes for easy installation and service

STAINLESS STEEL OPTIONS

We offer stainless steel options to best suit your installation requirements

CUSTOM SIZES AVAILABLE

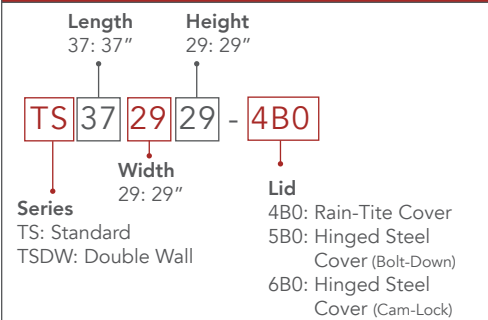
Various sizes and options are available to meet any job-site or customer specifications upon request.



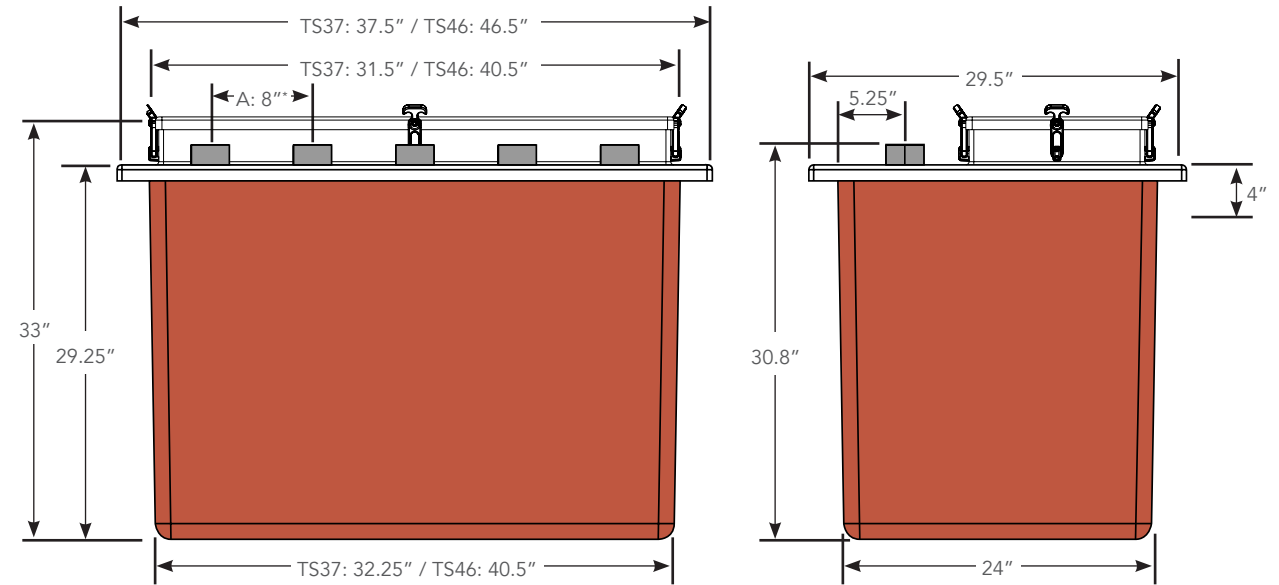
PRE-INSTALLATION SURVEY

Allows you to specify coupling locations and measurements

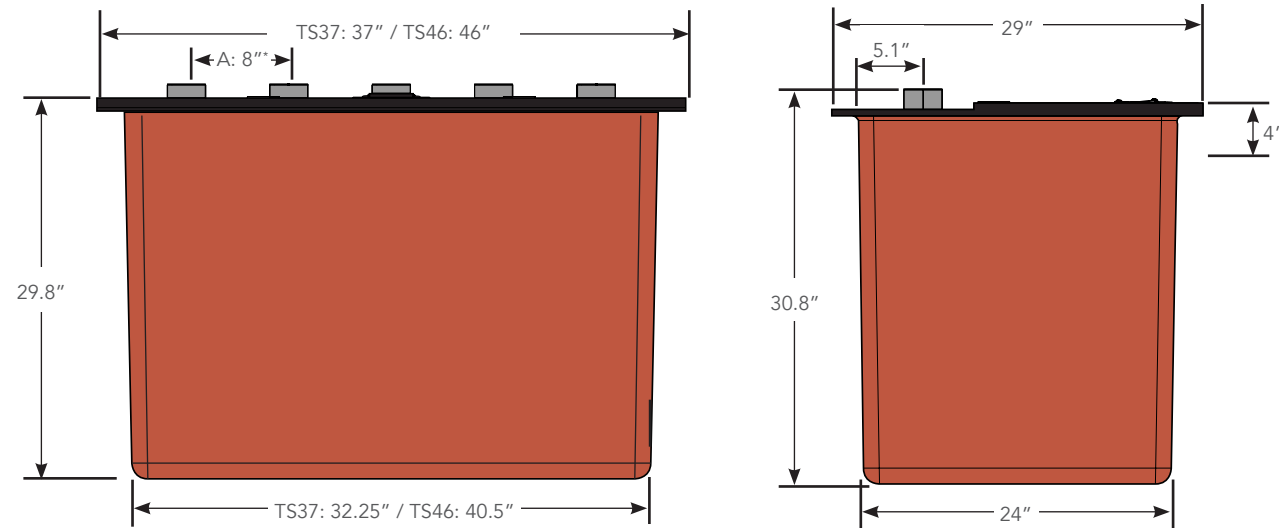
PART NUMBER LEGEND



DIMENSIONS WITH -4B0 RAIN-TITE COVER



DIMENSIONS WITH -5B0 / -6B0 DIAMOND PLATE COVER



Double Wall Models	Length	Width	Height	Max. Couplings
--------------------	--------	-------	--------	----------------

TSDW372929	37"	29"	29"	3
TSDW462929	46"	29"	29"	5*

Options (Example: TS372929-5B0)

-4B0	Rain-Tite Cover with Steel Couplings
-5B0	Hinged Diamond Plate Steel Cover (Bolt-Down)
-6B0	Hinged Diamond Plate Steel Cover (Cam-Lock)

Additional Components (Order Separately)

CPLG-1	1" Forged Steel Coupling
CPLG-1SS	1" Forged Stainless Steel Coupling
CPLG-2	2" Forged Steel Coupling
CPLG-2SS	2" Forged Stainless Steel Coupling
CPLG-3	3" Forged Steel Coupling
CPLG-4	4" Forged Steel Coupling

*Dimension A
If 5 couplings are used, spacing is 7.75"

Vent Line Support Racks

VLSR-96X40	8' Vent Rack for TS37
VLSR-96X48	8' Vent Rack for TS46
VLSR-MB	Brackets for Vent Rack (Set of 2)

Additional Double Wall Components (Order Separately)

EQP-DW-VAC	Vacuum Kit (Required for all Double Wall Sumps)
IF-5GAL	Interstitial Fluid, 5 Gallons (Required for Double Wall Sumps with Fluid Filled Interstice)
EQP-IF-ADP-UC	Interstitial Fluid Adapter Kit (Required for Double Wall Dispenser & Grade Level Transition Sumps)



DOUBLE WALL DISPENSER SUMPS



PCI's Double Wall fiberglass dispenser sumps are available in a variety of sizes and styles to fit most all dispensers. A variety of monitoring and testing options can be selected to satisfy local regulations.

INTERSTITIAL MONITORING

PCI's double wall dispenser sumps allow for periodic or continuous interstitial monitoring to detect liquid. Continuous monitoring eliminates the need for integrity tests.

COMPATIBLE TESTING

Our double wall dispenser sumps are compatible with the following testing methods:

- Dry Interstitial
- Vacuum Monitored
- Fluid Filled

VPH COMPLIANT

SHIPPED UNDER VACUUM

Double wall dispenser sumps are pre-tested and shipped under vacuum with the vacuum gauge installed for verification of sealed interstitial space.



Interstitial Fluid Adapter Kit
EQP-IF-ADP-UC



DOUBLE WALL MODELS

See specific sump page for dimensions and more information

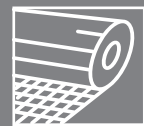
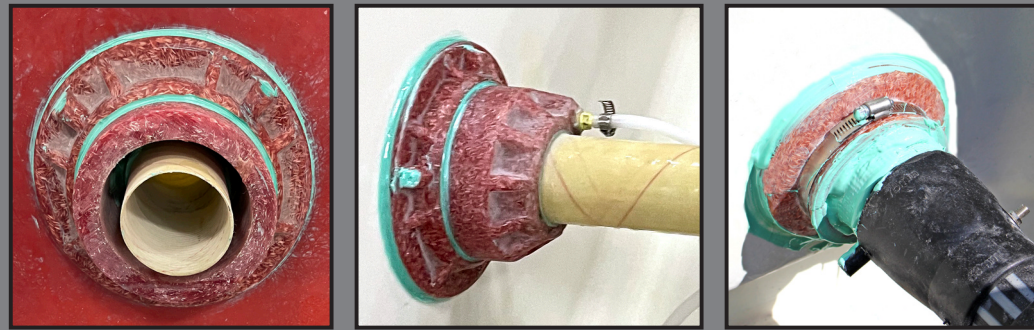
Dispenser Model	DPDW Series	RSCDW Series	CLEDW Series	DCLDW Series	DEFDW Series
Bennett Pacific	DPDW146360B	RSCDW146360B	CLEDW146390B	DCLDW146360B	-
Gilbarco Encore	DPDW174360	RSCDW174360	CLEDW174375	DCLDW174360	-
Gilbarco Encore w/ DEF	-	-	-	-	DEFDW174360
Wayne Ovation	DPDW146360	RSCDW146360	CLEDW146390	DCLDW146360	-
Wayne Ovation HS	DPDW146360HS	RSCDW146360HS	CLEDW146390HS	DCLDW146360HS	-
Wayne Ovation HS w/ DEF	-	-	-	-	DEFDW1542820
Wayne Vista (UHC) HS3, HS4	-	RSCDW154260HV	CLSDW154294	-	-
Wayne Vista w/ DEF	-	-	-	-	DEFDW154282V

Additional Components (Ordered Separately)

EQP-DW-VAC	Vacuum Kit (1 Per Site, Required for all Double Wall Sumps)
EQP-IF-5GAL	Interstitial Fluid, 5 Gallons (Required for Double Wall Sumps with Fluid Filled Interstice)
EQP-IF-ADP-PC	Interstitial Fluid Adapter Kit (1 Per Sump, Required for Double Wall Tank & Below Grade Transition Sumps with Fluid Filled Interstice)
EQP-IF-ADP-UC	Interstitial Fluid Adapter Kit (1 Per Sump, Required for Double Wall Dispenser & Grade Level Transition Sumps with Fluid Filled Interstice)

Note: Additional Models Available

FIBERGLASS PENETRATION FITTINGS



LONG-TERM SOLUTION

100% fiberglass construction provides superior strength and ensures the fitting will withstand long-term exposure to all fuels, including ethanol. These can replace rubber or plastic boots.



PERMANENT BONDING

EP2A is used to bond fittings to fiberglass and steel. It has great gap filling properties and excellent sag resistance, making it a simple and dependable bonding solution.



CLEARMAGIC
Three-part fiberglass adhesive

Clear Magic, PCI's proprietary three-part adhesive, can be used with any of our fiberglass fittings to permanently bond fiberglass to polyethylene.



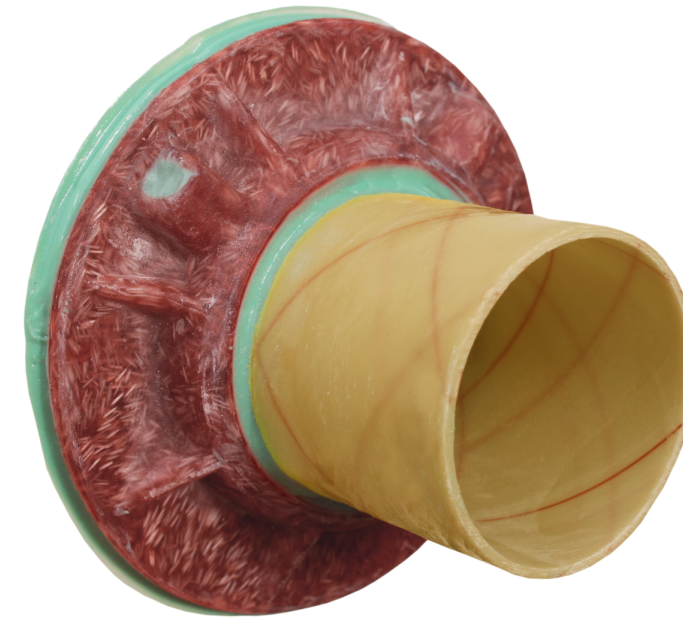
FLEXIBILITY

Works with angled pipe entries up to 10° (New Construction) and 20° (Repair) for job site adaptability

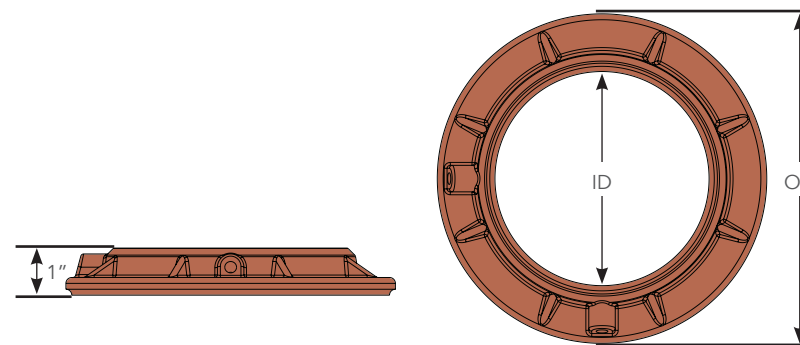


COST EFFECTIVE

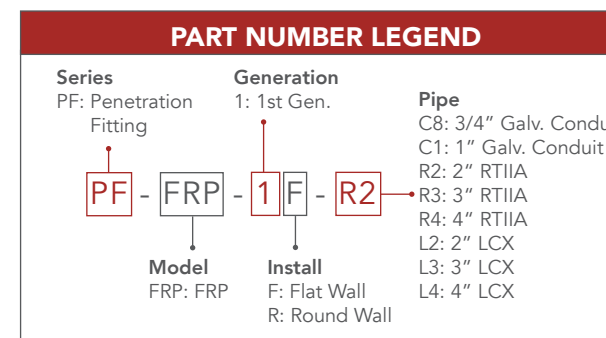
PCI's penetration fittings are the most affordable fiberglass fittings on the market, with a similar cost to rubber or plastic fittings.



PF-FRP-1F-R2



Pipe	Flat Wall	Round Wall	ID	OD
3/4" Galv. Conduit	PF-FRP-1F-C8	PF-FRP-1R-C8	1.1"	3.5"
1" Galv. Conduit	PF-FRP-1F-C1	PF-FRP-1R-C1	1.4"	3.5"
2" RTIIA	PF-FRP-1F-R2	PF-FRP-1R-R2	2.4"	5"
3" RTIIA	PF-FRP-1F-R3	PF-FRP-1R-R3	3.6"	6"
4" RTIIA	PF-FRP-1F-R4	PF-FRP-1R-R4	4.6"	7"
2" LCX	PF-FRP-1F-L2	PF-FRP-1R-L2	2.7"	5"
3" LCX	PF-FRP-1F-L3	PF-FRP-1R-L3	3.8"	6"
4" LCX	PF-FRP-1F-L4	PF-FRP-1R-L4	4.8"	7"



FRP SERIES FULL RING PASS-THRU NEW CONSTRUCTION

PCI's Full Ring Pass-Thru New Construction penetration fittings have a small profile and occupy little space in the sump. They are a great long-term solution for conduit and vent lines.

10° MISALIGNMENT

Works with angled pipe entries up to 10° with greater misalignment options available.

SMALL PROFILE

The FRP Series has a small profile and occupy little space in the already crowded sump.

DOUBLE WALL

All PCI fittings work with standard or double wall sumps.





TPP SERIES
TESTABLE PRIMARY PASS-THRU
NEW CONSTRUCTION

The Testable Primary Pass-Thru (TPP) New Construction Penetration Fitting is an economical and long term solution. Its thick fiberglass construction ensures it will withstand the elements without deteriorating over time.

DUAL TEST PORT

The dual integrated test ports provide easy access and eliminate the need for a separate test boot, saving time, money and space.

UNIVERSAL FITTING

Designed to accommodate RTIIA and LCX pipe.

CONTAINS CONNECTIONS

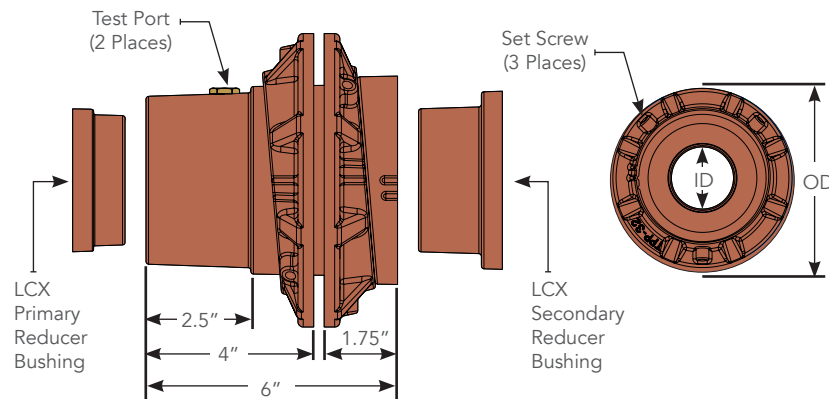
Allows all primary and secondary connections to be inside the sump, eliminating the need for any external pipe joints and offers optimal servicability and peace-of-mind.

DOUBLE WALL

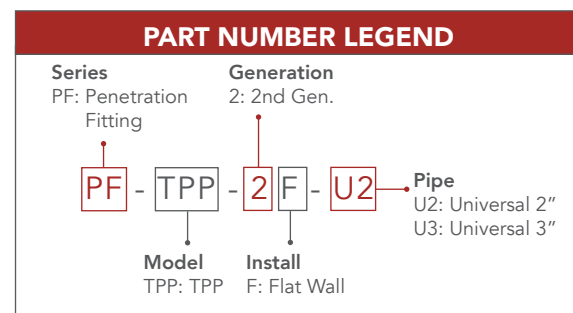
All PCI fittings work with standard or double wall sumps.



PF-TPP-2F-U2



Part No.	Install	Pipe	ID	OD
PF-TPP-2F-U2	Flat Wall	2" LCX or 3" x 2" RTIIA	2.4"	7"
PF-TPP-2F-U3	Flat Wall	3" LCX or 4" x 3" RTIIA	3.6"	8"
Test Kit				
HDW-TSK-T2	Test Kit For Penetration Fitting (Includes (1) Shrader Valve And (1) Plug)			



TPT SERIES
TESTABLE PRIMARY TERMINATION
NEW CONSTRUCTION

The Testable Primary Termination New Construction Fitting brings both convenience and innovation to make installation simple and permanent.

INTEGRATED TEST PORT

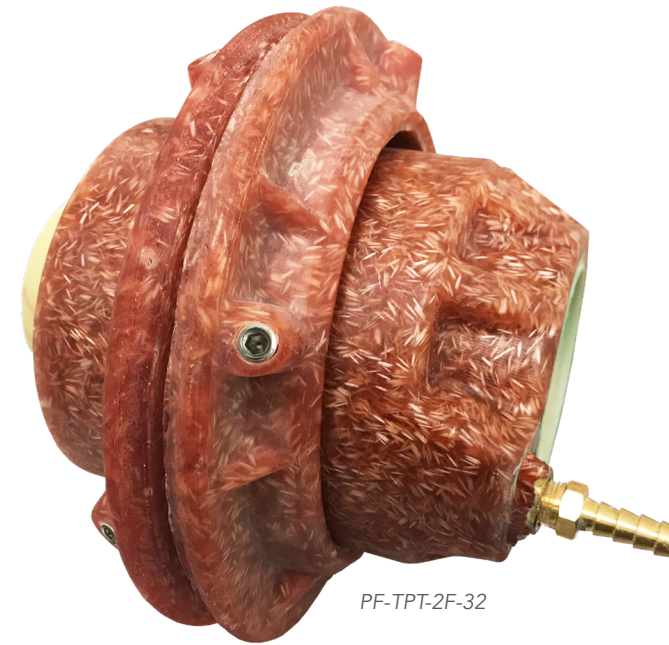
The integrated test port eliminates the need for a separate test boot.

MISALIGNMENT FLEXIBILITY

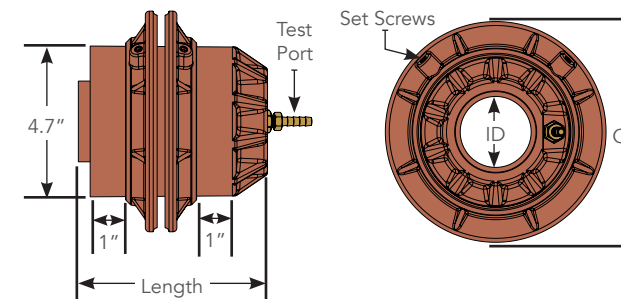
Works with angled pipe entries up to 10° and allows for ±1" pipe misalignment.

DOUBLE WALL

All PCI fittings work with standard or double wall sumps.



PF-TPT-2F-32

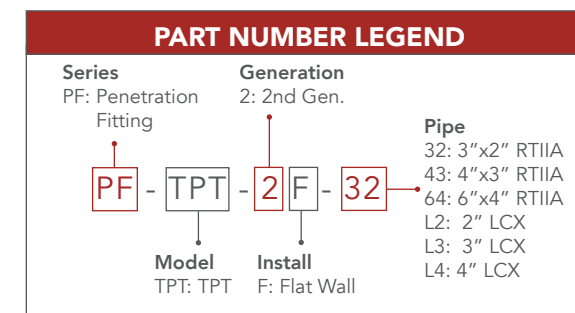


Part No.	Install	Pipe	Length	ID	OD
PF-TPT-2F-32	Flat Wall	3" x 2" RTIIA	6"	2.4"	7"
PF-TPT-2F-43	Flat Wall	4" x 3" RTIIA	6"	3.8"	7.8"
PF-TPT-2F-64	Flat Wall	6" x 4" RTIIA	8.5"	4.8"	10.8"
PF-TPT-2F-L2*	Flat Wall	2" LCX	6"	2.4"	7"
PF-TPT-2F-L3*	Flat Wall	3" LCX	6"	3.8"	7.8"
PF-TPT-2F-L4*	Flat Wall	4" LCX	8.5"	4.8"	10.8"

Test Kit	
HDW-TSK-T1	Penetration Fitting Test Kit, Termination Line



*LCX Adapter Included





SRB SERIES SPLIT REPAIR BAND CLAMP REPAIR

The intentional design of the SRB Repair Fittings makes repairs straight forward and allows for field modification. Comparable repair fittings from other manufacturers are twice the cost and lack the features that make the SRB easy to install.

BAND CLAMP W/ RETENTION RIM

The stainless steel band clamp holds the fitting in place and the retention rim prevents the clamp from sliding off the fitting while the epoxy cures.

FIBERGLASS SLEEVE*

A fiberglass sleeve is included with flex pipe models. This is used to bond to polyethylene with our Clear Magic adhesive to create a permanent fiberglass-to-fiberglass installation.



FIELD MODIFIABLE

The SRB series can be modified in the field to simplify service work.

DOUBLE WALL

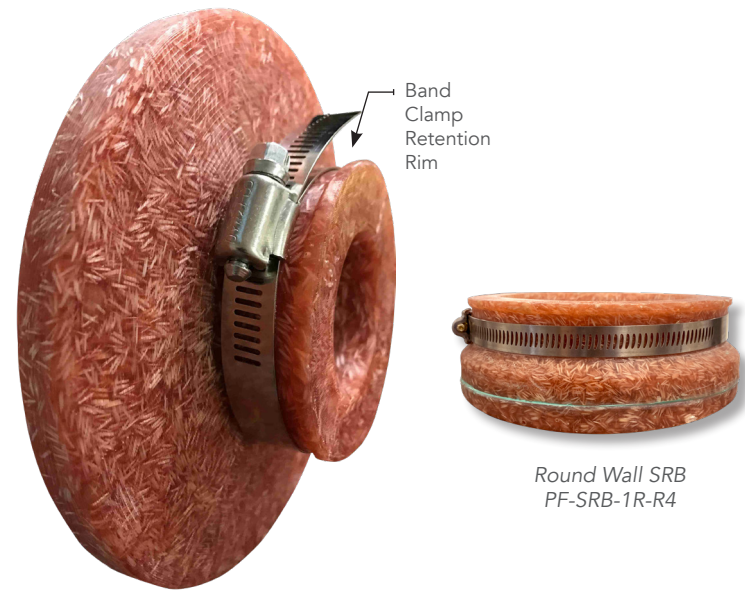
All PCI fittings work with standard or double wall sumps.



CLEARMAGIC
Three-part fiberglass adhesive



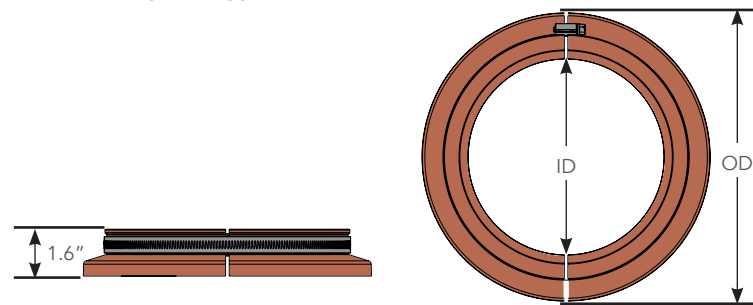
UL
LISTED
UL2447



PF-SRB-1F-C8



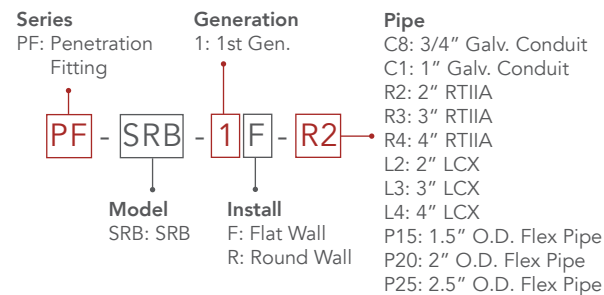
Round Wall SRB
PF-SRB-1R-R4



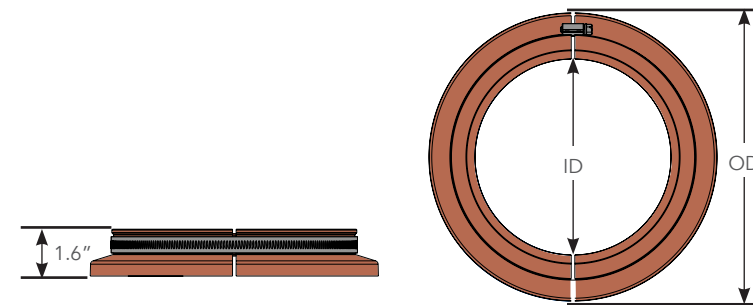
Pipe	Flat Wall	Round Wall	ID	OD
3/4" Galv. Conduit	PF-SRB-1F-C8	PF-SRB-1R-C8	1.1"	6"
1" Galv. Conduit	PF-SRB-1F-C1	PF-SRB-1R-C1	1.4"	6"
2" RTIIA	PF-SRB-1F-R2	PF-SRB-1R-R2	2.4"	6"
3" RTIIA	PF-SRB-1F-R3	PF-SRB-1R-R3	3.6"	6"
4" RTIIA	PF-SRB-1F-R4	PF-SRB-1R-R4	4.8"	7"
2" LCX	PF-SRB-1F-L2	PF-SRB-1R-L2	2.7"	6"
3" LCX	PF-SRB-1F-L3	PF-SRB-1R-L3	3.8"	6"
4" LCX	PF-SRB-1F-L4	PF-SRB-1R-L4	4.6"	7"
1.5" O.D. Flex Pipe	PF-SRB-1F-P15*	PF-SRB-1R-P15*	1.7"	6"
2" O.D. Flex Pipe	PF-SRB-1F-P20*	PF-SRB-1R-P20*	2.2"	6"
2.5" O.D. Flex Pipe	PF-SRB-1F-P25*	PF-SRB-1R-P25*	2.7"	6"

*Flex Pipe SRB Models include the Fiberglass Sleeve to Bond Fiberglass to Polyethylene

PART NUMBER LEGEND



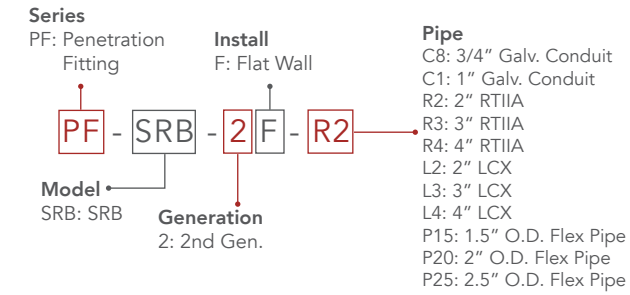
PF-SRB-2F-L2



Pipe	Flat Wall	ID	OD
3/4" Galv. Conduit	PF-SRB-2F-C8	1.1"	8"
1" Galv. Conduit	PF-SRB-2F-C1	1.4"	8"
2" RTIIA	PF-SRB-2F-R2	2.4"	8"
3" RTIIA	PF-SRB-2F-R3	3.6"	8"
4" RTIIA	PF-SRB-2F-R4	4.8"	8"
2" LCX	PF-SRB-2F-L2	2.7"	8"
3" LCX	PF-SRB-2F-L3	3.8"	8"
4" LCX	PF-SRB-2F-L4	4.6"	8"
1.5" O.D. Flex Pipe	PF-SRB-2F-P15*	1.7"	8"
2" O.D. Flex Pipe	PF-SRB-2F-P20*	2.2"	8"
2.5" O.D. Flex Pipe	PF-SRB-2F-P25*	2.7"	8"

*Flex Pipe SRB Models include the Fiberglass Sleeve to Bond Fiberglass to Polyethylene

PART NUMBER LEGEND



NEW SRB SERIES - OVERSIZED SPLIT REPAIR BAND CLAMP REPAIR

The intentional design of the SRB Repair Fittings makes repairs straight forward and allows for field modification. The oversized model is designed to eliminate the need to pair the SRB with our BSO fitting.

BAND CLAMP W/ RETENTION RIM

The stainless steel band clamp holds the fitting in place and the retention rim prevents the clamp from sliding off the fitting while the epoxy cures.

FIBERGLASS SLEEVE*

A fiberglass sleeve is included with flex pipe models. This is used to bond to polyethylene with our Clear Magic adhesive to create a permanent fiberglass-to-fiberglass installation.



FIELD MODIFIABLE

The SRB series can be modified in the field to simplify service work.

DOUBLE WALL

All PCI fittings work with standard or double wall sumps.



CLEARMAGIC
Three-part fiberglass adhesive



UL
LISTED
UL2447



BSO SERIES BOLT STAND-OFF REPAIR

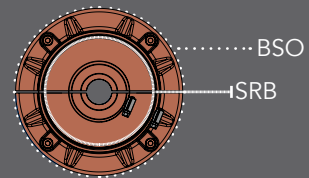
The Bold Stand Off Repair Penetration Fittings seal to the sump wall around damaged fittings and a clean section of pipe inside the sump to create a watertight repair.

LEAVE EXISTING FITTINGS

The BSO encapsulates existing penetration fittings and seals around them.

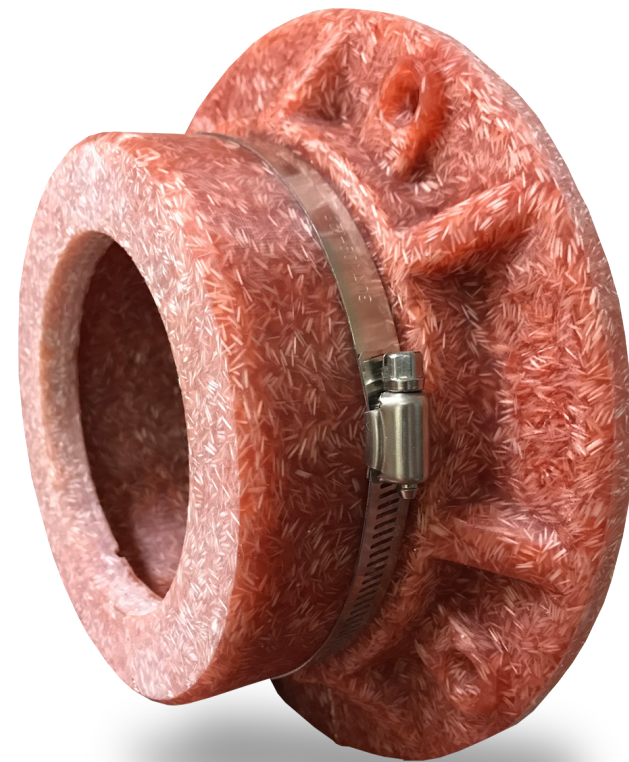
UNIVERSAL FIT

Two sizes of the BSO are available to be used in conjunction with any of the SRB Series for split repairs.

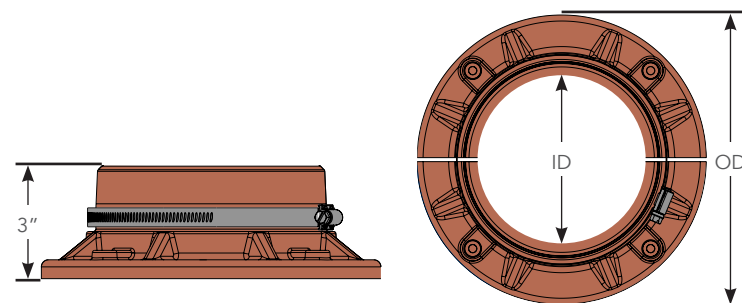


DOUBLE WALL

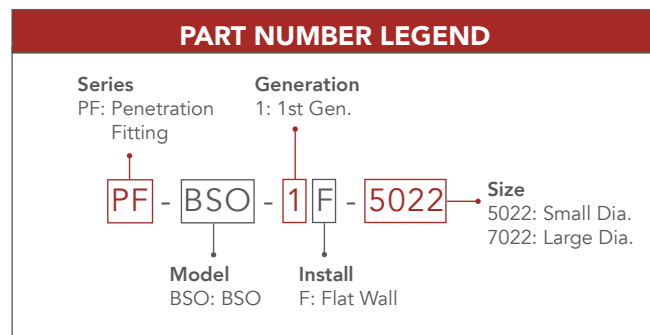
All PCI fittings work with standard or double wall sumps.



PF-BSO-1F-5022

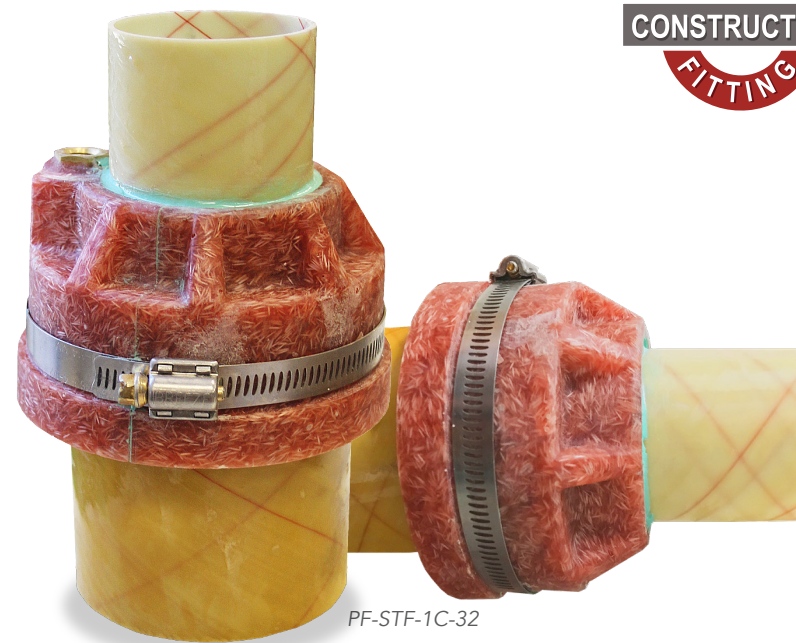


Part No.	Install	ID	OD
PF-BSO-1F-5022	Small Diameter Flex Pipe / Conduit	5.2"	9"
PF-BSO-1F-7022	Large Diameter Flex Pipe / Rigid Pipe	7.2"	11"

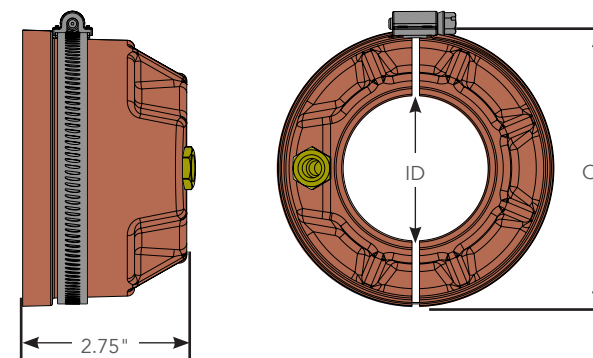


STF SERIES SPLIT TEST FITTING REPAIR / NEW CONSTRUCTION

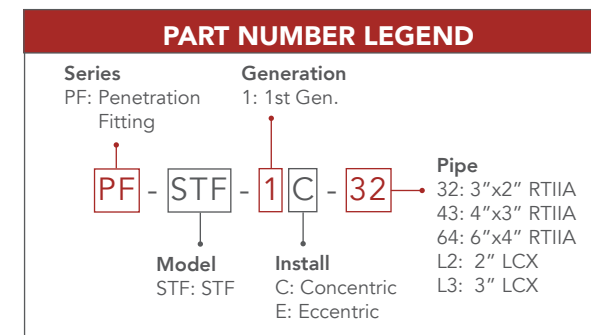
The STF Fittings are available for new construction or to replace damaged or deteriorated rubber test fittings.



PF-STF-1C-32



Pipe	Part No.	ID	OD
3" x 2" RTIIA	PF-STF-1C-32	2.4"	3.6"
4" x 3" RTIIA	PF-STF-1C-43	3.6"	4.6"
6" x 4" RTIIA	PF-STF-1C-64	4.6"	7.6"
2" LCX	PF-STF-1C-L2	2.4"	2.7"
3" LCX	PF-STF-1C-L3	3.6"	3.9"
4" LCX	PF-STF-1C-L4	4.6"	5.6"



MANY PIPE SIZES
Available for size over size and LCX piping.

LEAVE IN PLACE
STF Fittings leave the secondary piping open, unlike other options which must be removed after testing.

VERSATILE INSTALLATION
STF Series fittings can be used to test secondary piping in both new construction and repair applications.

DOUBLE WALL
All PCI fittings work with standard or double wall sumps.





EP2A ADHESIVE KITS EPOXY BONDING

EP2A is a two-part epoxy used for installing penetration fittings. Due to its thickened consistency, it has great gap filling properties and excellent sag resistance on vertical surfaces, making penetration fitting installation simple and dependable.

FEATURES

- Bonds to fiberglass and steel
- Easily fills gaps over 1/4"
- Won't sag on vertical surfaces
- 18-month shelf life
- No need for refrigeration
- Cures below 40°
- Excellent fuel resistance
- Year-round optimal working time
- Available in one-time use 6oz tubs or multiple use 450mL cartridges



Part No.	Description
EP2A-6OZ	6oz Jar Kit
EP2A-450*	450mL Cartridge Kit
EQP-EP450	Applicator Gun for 450mL Cartridge

* Applicator gun is required for the cartridge.

CLEAR MAGIC BONDS FIBERGLASS TO POLYETHYLENE

Clear Magic is a 3-part adhesive that has become the industry standard for difficult repairs on polyethylene sumps and piping. With its unique design, Clear Magic bonds permanently to HDPE and has excellent chemical resistance.

FEATURES

- Permanently bonds to polyethylene sumps and piping
- Great gap filling and sag resistance
- Excellent chemical resistance
- Includes easy-to-use applicator and spray bottle
- When used with PCI fiberglass repair products, polyethylene sumps can be made watertight

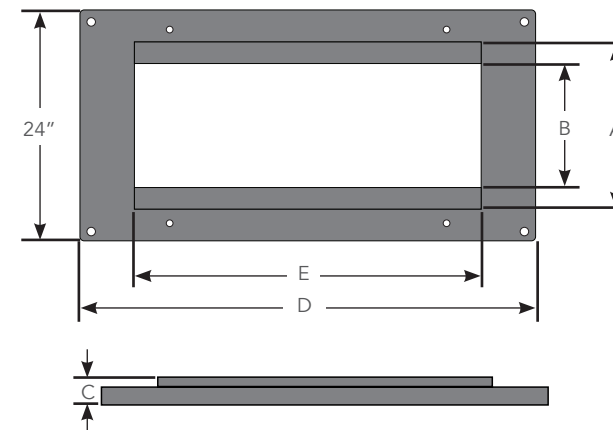


Part No.	Description
ADH-CM30G	Clear Magic, Poly Adhesive, 30g Tube
ADH-CM30G-K	Clear Magic, Poly Adhesive, 30g Kit (Includes Promoter / Accelerator)
ADH-CM300G	Clear Magic, Poly Adhesive, 300g Tube
ADH-CM300G-K	Clear Magic, Poly Adhesive, 300g Kit (Promoter / Accelerator)
EQP-AP30GSY	Applicator Gun (Required for ADH-CM30G Tube)



DISPENSER CONVERSION FRAMES & PLATES

Our dispenser conversion frames and plates are a great solution for dispenser upgrades without having to replace any underground equipment.



HEAVY-DUTY DESIGN
Manufactured from heavy gauge steel and powder coated for improved corrosion resistance.

STANDARD SIZES
PCI offers conversion frames to fit most dispenser frames currently available.

CUSTOMIZABLE
Stainless steel and unique sizes are available to best suit your needs. Contact us for a quote.

Dispenser Model	Part No.	Width A	Width B	Height C	Length D	Length E
Conversion Frames						
Gilbarco Encore	CFR174001	17.5"	13"	3"	48"	36"
Wayne Ovation	CFR146001	14.5"	9.5"	3"	48"	42"
Conversion Plates*						
Gilbarco Encore	CPT174001	17.5"	13"	1"	47"	36"
Wayne Ovation	CPT146001	14.75"	14.75"	1"	47.5"	42"
Replacement Hardware						
HDW-CFA-4PK		Conversion Frame / Plate Anchoring Hardware - 4 Pack				
* CPT Series Conversion Plates may require modification of existing sump frame.						

ADDITIONAL MODELS AND OPTIONS AVAILABLE CONTACT US FOR MORE INFORMATION

CONVERSION FRAME SURVEY

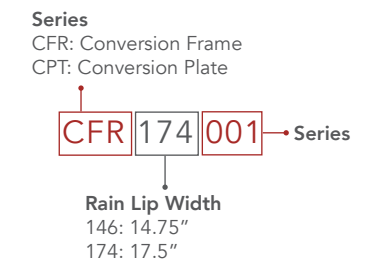
The conversion frame survey is used to ensure a proper fit with the dispenser and sump in the field to eliminate any installation issues.

Required Information:

- Sump Make & Model, Burial Type, Existing Anchor Bolts, Rain Lip Height
- Rain Lip Opening ID (Length & Width)
- Dispenser Make & Model



PART NUMBER LEGEND





TWIST-LOK LIDS THE 12-POINT ACCESS COVER

PCI's innovative Twist-Lok access covers have set the standard in quality and watertight dependability. With a simple twist, you can be sure your sumps will be watertight every time.

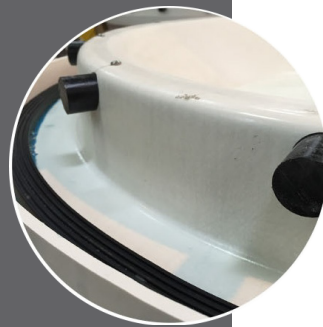
HARD STOP

Never over tighten,
Easy to remove.
Watertight.



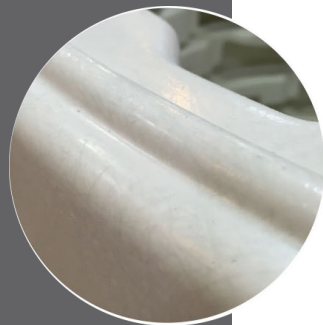
12-POINTS

12 points of contact for
a true watertight sealing
surface.



RAISED SURFACE

Raised rounded surface
keeping dirt and debris
from interfering with a true seal
between the lid and collar.

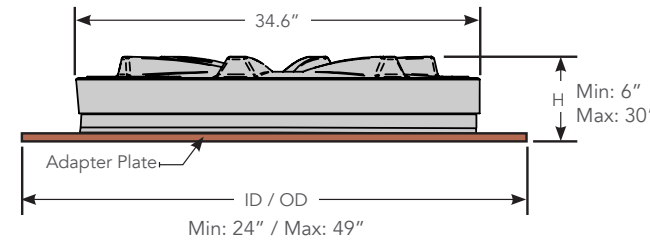


INJECTION MOLDED FIBERGLASS CONSTRUCTION



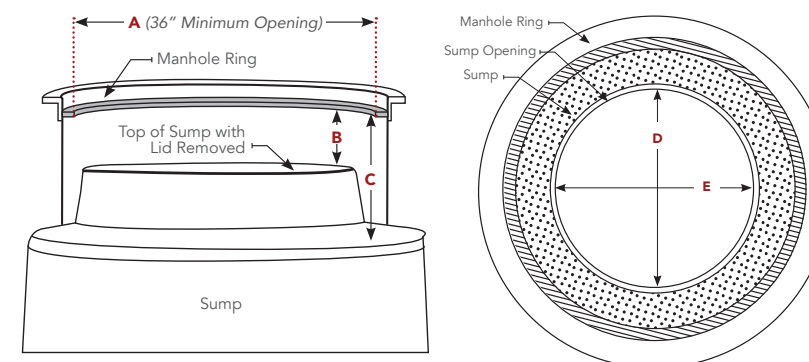
INSPECTION PORT

Optional 4" inspection port allows quick and
easy inspection without removing entire cover.
IP4000-1



Part No.	Description
Polyethylene Tank Sumps	
12PLS-1P	Includes Clear Magic Poly Adhesive
Fiberglass Tank Sumps	
12PLS-1E	Includes Epoxy Bonding Kit
12PLS-1G	Includes Fiberglass Seam Kit w/ Adapter Plate
12PLS-1F**	Includes Fiberglass Adhesive w/ Adapter Plate
12PLS-1N	No Bonding Kit, Adapter Plate Included
12PLS-1U	Universal Twist-Lok Retrofit Kit for Fiberglass Sump, Includes Epoxy Bonding Kit and Fiberglass Adapter Plate – Customizable in Field
12PLS-1X	No Bonding Kit, Adapter Plate Not Included

** Requires an adhesive applicator (Sold Separately).



5 MEASUREMENTS FOR A TWIST-LOK RETROFIT LID

- A: Interior Diameter of Manhole Ring - 36" Min.
- B: Bottom of Manhole Cover to Top of Sump Riser - 8" Min.
- C: Bottom of Manhole Cover to Top of Canopy - 8" Min.
- D: ID of Sump Opening (Position 1)
- E: ID of Sump Opening (Position 2)



TWIST-LOK LID RETRO-FIT KITS

PCI's watertight Twist-Lok lids are available to retrofit onto any existing poly or fiberglass sump. They are a simple solution to permanently repair leaking sumps without breaking concrete.

FIX LEAKING SUMP LIDS WITHOUT BREAKING CONCRETE

Installs through a 36" opening to permanently repair or raise sump lids without breaking concrete.*

NO HARDWARE

No tools required for lid removal and installation.

WATER-TIGHT REPAIR

PCI's 12-point locking system creates a water-tight seal every time with one simple twist.

VERSATILE

Available for polyethylene or fiberglass sumps.



* Requires an existing 38" or larger manhole

PCI PETROLEUM
TWIST-LOK RETROFIT KIT
PRE-INSTALLATION SURVEY

PLEASE COMPLETE SURVEY ALONG WITH PURCHASE ORDER TO: PETROLEUM CONTAINMENT, INC. (800) 391-0100

MANHOLE OPENING ID: _____
 BOTTOM OF MANHOLE COVER TO TOP OF SUMP RISER: _____
 BOTTOM OF MANHOLE COVER TO TOP OF SUMP CANOPY: _____
 ID OF SUMP OPENING (POSITION 1): _____
 ID OF SUMP OPENING (POSITION 2): _____

SUMP INFORMATION
 SUMP BY (PRINT NAME): _____
 SUMP MAKE/MODEL: _____
 SUMP CONTRACTOR: _____
 SUMP TYPE (CHECK ONE): FIBERGLASS PLASTIC

INSTALLER INFORMATION
 NAME: _____
 ADDRESS: _____
 CITY: _____ STATE: _____ ZIP CODE: _____
 PHONE: _____
 EMAIL: _____
 SIGNATURE: _____ DATE: _____

RETROFIT KIT SURVEY

Required with every order to ensure the lid is built to the correct specs without needing to break concrete.



BONDING KITS & REPLACEMENT PARTS



12PLS-2



E148CM
E142CM
E154CM

Replacement Access Covers

12PLS-2	12-Point Twist-Lok Lid Replacement
AC-3308BD	8-Lug Bolt-Down Cover

Access Cover Accessories

IP4000-1	4" Inspection Port (Installed when ordered with lid)
DL4OZ	Dry Lubricant for PCI Twist-Lok Access Covers
DL4OZ6PK	Dry Lubricant for PCI Twist-Lok Access Covers (6 Pack)
12PLS-14	Replacement Gasket for 12-Point Twist-Lok Lid

Sealants

BOSTIK	Bostik Fast-Set Black (Each)
BOSTIKCS	Bostik Fast-Set Black (Case)

Bonding Kit Cure Times**

		65°F		95°F	
		Gel Time	Cure Time	Gel Time	Cure Time
GK-42	Fiberglass Kit for 42" Dia (Resin, Hardener, Mat, Gelcoat)			30 Mins.	1 Hr.
GK-55	Fiberglass Kit for 55" Dia (Resin, Hardener, Mat, Gelcoat)	1 Hr.	4 Hrs.		
GK-55TS	Fiberglass Kit for 55" Dia (Resin, Hardener, Mat, Gelcoat, Putty)				

Epoxy Bonding Kits

E132AR	Epoxy Bonding Kit (1 Quart)				
E142CM	Epoxy Bonding Kit (1/2 Gallon)	10 Mins.	2 Hrs.	10 Mins.	45 Mins.
E148CM	Epoxy Bonding Kit (3/4 Gallon)				
E154CM	Epoxy Bonding Kit (1 Gallon)				

Penetrating Fitting Adhesive and Applicator

EP2A-6OZ	Penetration Fitting Adhesive (6oz Jar)				
EP2A-450*	Penetration Fitting Adhesive (450mL Cartridge)	25 Mins.	2 Hrs.	10 Mins.	45 Mins.
EQP-EP450	Adhesive Applicator for 450mL Cartridges				

Retro-Fit Kit Adhesives and Applicators

ADH-CM30G*	Clear Magic, Poly Adhesive, 30g Tube				
ADH-CM30G-K*	Clear Magic, Poly Adhesive, 30g Kit (Promoter / Accelerator)				
ADH-CM300G	Clear Magic, Poly Adhesive, 300g Tube	30 Sec.	24 Hrs.	30 Sec.	24 Hrs.
ADH-CM300G-K	Clear Magic, Poly Adhesive, 300g Kit (Promoter / Accelerator)				
EQP-AP30GSY	Applicator Gun (Required for ADH-CM30G Tube)				
ADH-FG50ML*	Petro-Weld Fiberglass Adhesive (2 - 50mL Cartridges)	10 Mins.	45 Mins.	10 Mins.	20 Mins.
ADH-FG490ML*	Petro-Weld Fiberglass Adhesive (490mL Cartridges)				

EQP-50ML11DMA	Adhesive Applicator for ADH-FG50ML				
EQP-490ML101	Adhesive Applicator for ADH-FG490ML				

**Cure times are approximate estimations and may vary based on humidity

*Requires Applicator

FIVE YEAR LIMITED WARRANTY PRODUCTS COVERED

- Fiberglass Tank Sumps
- Fiberglass Dispenser Sumps with Metal Frame Tops
- Fiberglass Twist-Lok Lid Retrofit Kits

I. EXPRESS WARRANTY

Petroleum Containment, Inc. (PCI) a Florida Corporation, warrants to the original purchaser that the products listed in this warranty will not fail due to internal or external corrosion for a period of (5) years from the date of the original purchase when used as intended for the approved fuels listed in this warranty, under conditions set forth in this warranty.

PCI also warrants to the original purchaser that products listed in this warranty will be free from defects in materials and manufacturing workmanship for a period of (5) years from the date of the original purchase when used as intended under the conditions set forth in this warranty.

A. CONDITIONS

The products covered under this warranty must be:

- Purchased directly from Petroleum Containment, Inc., or an authorized distributor.
- "Certified Installation Technician" (CIT) whose certification is valid at the time of product installation.
- Installed and used in accordance with all PCI written instructions.
- Installed using only PCI approved products for attachments and/or bonding.
- Installed and used in accordance with all local, state and federal regulations.

The products covered may only be used with the following approved fuels:

- Petroleum Products
- Alcohol
- Alcohol-Gasoline Mixture

Twist-Lok Lid Retrofit Kits shall only be covered under this warranty if installed on existing PCI tank sumps.

Any claims under this warranty must be submitted in writing within (30) days of the defect or failure occurrence.

Upon inspection by PCI authorized representative, if it is determined that the product has failed due to internal or external corrosion, a material defect or a manufacturing workmanship issue, PCI will either repair or replace the defective product, or refund the original purchase price, at the sole discretion of PCI. The original warranty shall remain in place for the remainder of the (5) years from the date of original purchase.

II. NOT COVERED UNDER WARRANTY

This warranty does not cover the installation of any PCI products either original or replacement. PCI will not be responsible for the installation of any product including those installed by or supervised by a PCI "Certified Installation Technician", PCI Employee, PCI representative or anyone or any entity associated with PCI.

This warranty does not cover the freight or shipping costs associated with the original purchase, the return of a defective product, or the replacement or repair of a defective product.

This warranty does not cover any parts that are not used as recommended or intended whether intentional or otherwise.

This warranty does not cover any parts damaged due to improper installation, storage, misuse, service, acts of God or terrorism.

PCI Twist-Lok Lid Retrofit Kits installed on an existing tank sump not manufactured PCI.

III. WARRANTY VOID

This warranty is void and no longer effective if the product is damaged, improperly installed, improperly stored, improperly used, or if the owner fails to report the defect within (30) days of failure.

This warranty is void if the customer continues to use the products after discovering a defect without the written consent of PCI.

This warranty is void if the customer refuses to allow PCI to inspect and examine the defective product to determine the reason or nature of the defect or failure.

This warranty may not be transferred or assigned to anyone other than the original purchaser without the prior written consent of PCI.

IV. DISCLAIMER OF WARRANTIES

THIS WARRANTY CONSTITUTES PCI'S EXCLUSIVE OBLIGATION AND PCI MAKES NO OTHER WARRANTY OR REPRESENTATION, WHETHER STATUTORY, EXPRESSED OR IMPLIED.

PCI SPECIFICALLY DISCLAIMS THE WARRANTY OF MERCHANTABILITY, THE WARRANTY OF FITNESS FOR A PARTICULAR PURPOSE AND WARRANTIES ARISING FROM COURSE OF DEALING OR USAGE OF TRADE.

V. NO CONSEQUENTIAL DAMAGES

UNDER NO CIRCUMSTANCES SHALL PCI HAVE ANY LIABILITY FOR ANY CONSEQUENTIAL, INCIDENTAL, SPECIAL OR INDIRECT DAMAGES, INCLUDING, BUT NOT LIMITED TO, LOST PROFITS, COST OF REMOVAL OR INSTALLATION OF DEFECTIVE OR REPLACEMENT GOODS, LOSS BY REASON OF SHUTDOWN OR NON-OPERATION, ENVIRONMENTAL CONTAMINATION, FIRES, EXPLOSIONS OR ANY OTHER CONSEQUENCES ALLEGEDLY ATTRIBUTABLE TO A BREACH OF WARRANTY, CONTRACT, NEGLIGENCE, STRICT LIABILITY, OR OTHER TORT.

VI. APPLICABLE LAW

This warranty and the disclaimers set forth herein are governed by the laws of the State of Florida.

VII. EFFECTIVE DATE

This warranty applies to and is effective on warranted products sold by PCI on or after May 17, 2010





NOTICE OF RIGHTS AND RESERVATIONS

All of the information contained in this literature is accurate and valid at the time this was printed. PCI reserves the right to change or modify any and all information including, but not limited to pricing, model numbers, availability and any other changes it sees fit without written notice. It is recommended to contact PCI or an authorized representative before quoting any of the products listed in this literature.

Rev 8/22



INSTAGRAM
@PCISumps



FACEBOOK
/PCISumps



LINKEDIN
/Petroleum-Containment-Inc

