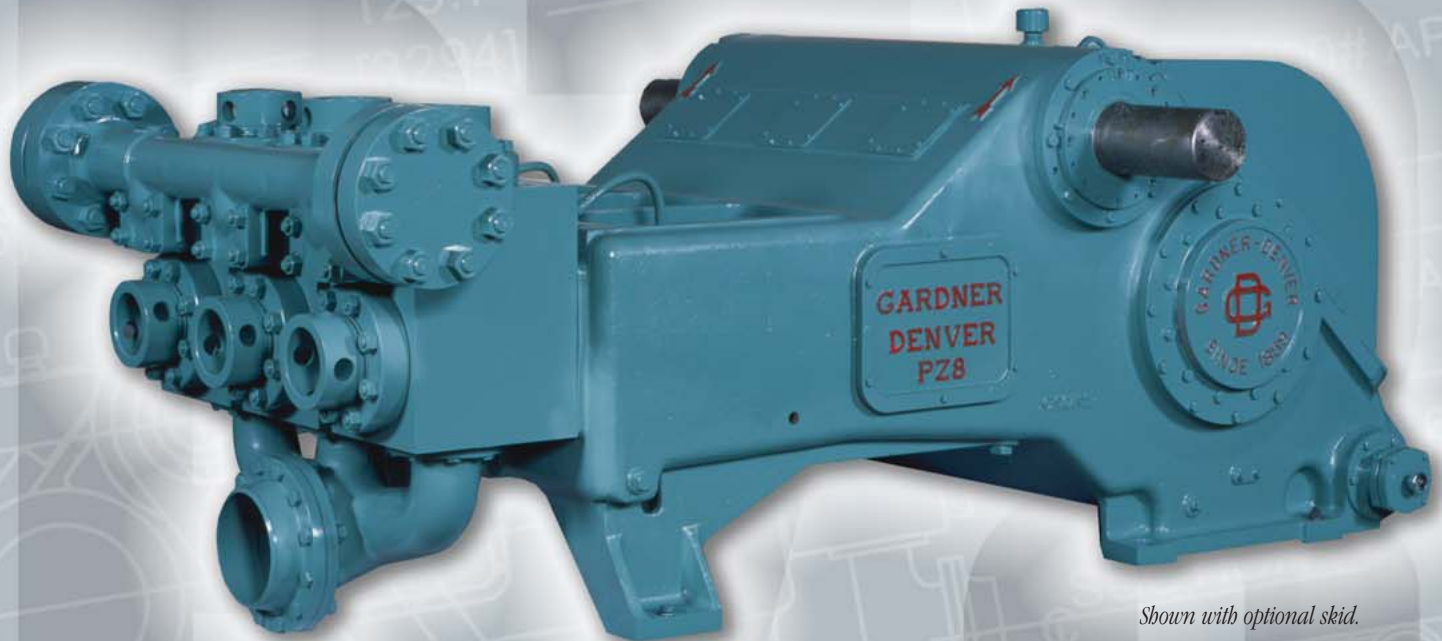


PZH (PZ-8) Triplex Drilling Mud Pump



Shown with optional skid.

Specifications	Drilling Service
Maximum Input	750 BHP (559 kw)
Maximum RPM	145 RPM
Stroke Length	8" (203 mm)
Piston Load	76,800 lbs. (34,836 kg)
Pump Weight	17,400 lbs. (7,900 kg) average
Gear Ratio	4.5:1

PZH (PZ-8) Drilling Service Ratings

Piston Cylinder		Displacement				Maximum		Pump RPM	JackShaft RPM
Diameter		Per Revolution		Per Minute		PSI			
Inch	mm	Gal.	Lit.	Gal.	Lit.	PSI	Kg/sq.cm2		
7	178	4.00	15.14	580	2,196	1,996	140	145	652
6.5	165	3.45	13.06	500	1,893	2,315	163		
6.25	159	3.19	12.08	462	1,749	2,504	176		
6	152	2.94	11.13	426	1,613	2,717	191		
5.5	140	2.47	9.35	358	1,355	3,233	227		
5	127	2.04	7.72	296	1,120	3,912	285		
4.5	114	1.65	6.25	240	908	4,830	340		
4	102	1.31	4.96	189	715	5,000	352		

*Weight: Complete pump with large steel skid – 21,650 pounds.
Ratings are based on 90% mechanical efficiency and 100% volumetric efficiency.*

PZH (PZ-8) Triplex Drilling Mud Pump

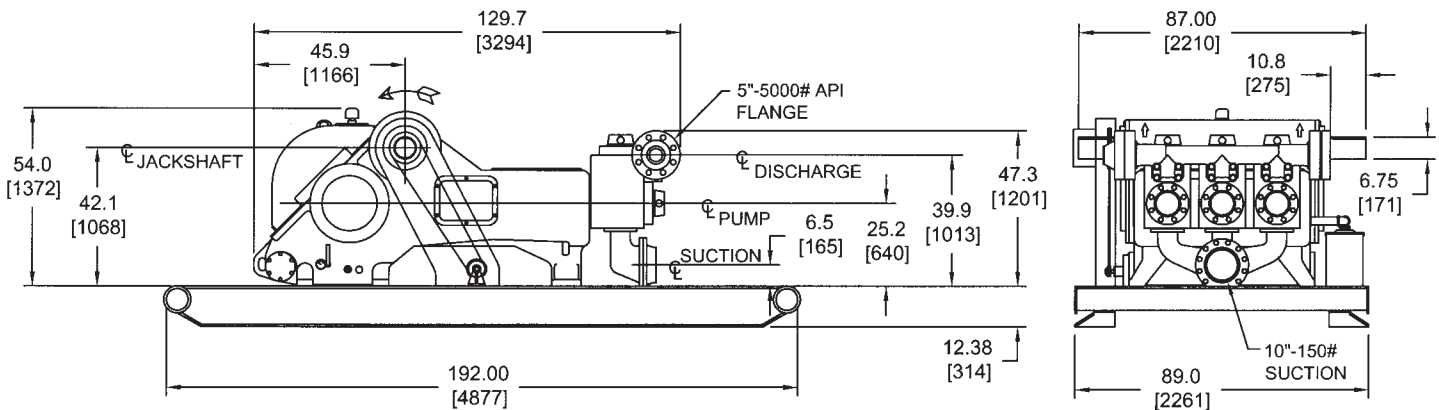


Standard Features

- Nodular iron power frame, eccentric, connection rods, and crossheads
- Double-row-spherical roller bearings carry eccentric
- Double extended Jackshaft carried on heavy-duty straight roller bearings
- Dual roller bearing connecting rod
- Heat-treated alloy steel main gears are bolted to the eccentric
- Replaceable bronze crosshead slides
- Full splash lubrication, with oil pump to feed working parts
- Heat-treated alloy steel, interchangeable fluid cylinders
- Three-rib API-7 urethane insert valves and seats
- Replaceable-type element oil filter and oil pressure gauge
- Threaded valve covers
- Plated piston rods
- Complete piston washing and lubrication system

Optional Equipment

- Steel skid under pump only
- Large steel skid with non-skid decking
- Centrifugal suction charging pump
- Rubber valve inserts
- Suction and/or discharge dampeners
- Oil heat exchanger
- External electric powered lube pump
- Fabricated suction manifold
- Custom packaging available
- Full open valves



Note: All installations must contain a pressure relief valve in the discharge line near the pump.

Gardner Denver

Drilling & Production Pumps
Gardner Denver Pump Division
1800 Gardner Expressway
Quincy, IL 62301
Phone: 217-224-8800
Fax: 217-224-7814

Drilling & Production After-Market
Gardner Denver Pump Division
2200 South Prospect
Oklahoma City, OK 73129
Phone: 405-677-5736
Fax: 405-677-5807

Well Service Pumps
Gardner Denver Pump Division
4747 South 83rd East Avenue
Tulsa, OK 74145
Phone: 918-828-7800
Fax: 918-447-6487

GEOQUIP SERVICE CENTER

After-Market & Repair Facility
Gardner Denver Pump Division
7533 Kathy Lane
Fort Worth, TX 76126
Phone: 817-249-6400
Fax: 817-249-6383

CHAPARRAL SERVICE CENTER

After-Market & Repair Facility
Gardner Denver Pump Division
2121 West 44th Street
Odessa, TX 79764
Phone: 432-366-5433
Fax: 432-363-9940

< www.gardnerdenver.com >