

PURE PRO

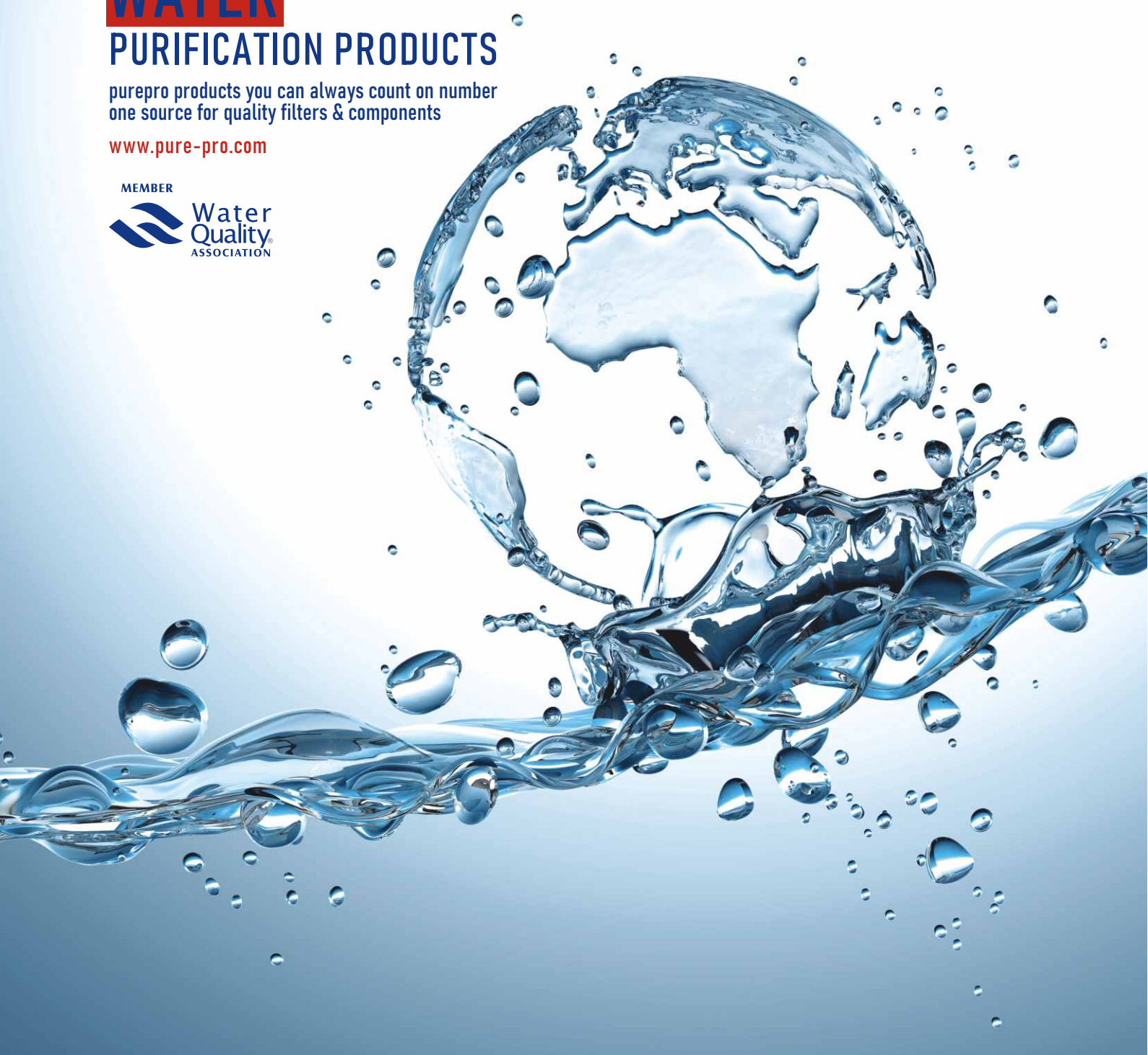
PUREPRO
DRINKING WATER SYSTEM



WATER PURIFICATION PRODUCTS

purepro products you can always count on number one source for quality filters & components

www.pure-pro.com





INTRODUCTION



About Us

PurePro Water Corporation was established to supply high quality water treatment systems and accessories.

We are specialized in manufacturing a variety of standard and customized Reverse Osmosis (RO) and water purification systems. Our systems are designed for residential and light commercial use. (Private label is welcome.)

We pride ourselves on service and provide our customers with the quality and durability of our products at competitive prices. We also, stock a full line of Reverse Osmosis and Water Treatment components for immediate delivery.

Some of them are: Pumps, Replacement Filter Cartridges (Standard, Slim Line and Big Blue), Membrane Elements, Membrane Housings, Filter Housings (Standard, Slim Line and Big Blue), Storage Tanks, Fittings, Flow Restrictors, Faucets, Shut-Off Valves, Tubing, Meter and Time Clock Valves, Resin and Brine Tanks, Media and Resin, UV Lights, Shower Filters, Water Testing Equipment, and many more items.

At PurePro Water Corp. our mission is to provide the highest quality of service and products in the water treatment industry. Therefore, through our commitment, our customers can be assured that their future filter requirements will be met with state-of-the-art solutions.

We hope that the few minutes you invested of your time to browse through our website, provided you with the information, comfort level, and guide to any long-term water solution needs that you may have.

Thank you!

Pure-Pro Water Corporation

PUREPRO
DRINKING WATER SYSTEM

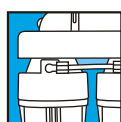


Quality *PUREPRO* Water for Quality Life.

DRINKING WATER SYSTEM



C · O · N · T · E · N · T · S



RO SYSTEMS

Economy RO	【04】
Typical RO	【06】
Pump RO	【06】
RO + UV System	【08】
S-Series	【10】
Espresso Pro	【10】
Easy-Change RO	【12】
Standard RO	【14】
ROYAL RO	【16】
X6	【18】
Bring The Mountain To You	【18】
Water Filtration System	【19】
Countertop System	【22】
G Series RO	【24】
Aquarium RO	【24】
Office RO	【26】
Direct Flow RO	【28】
Commercial RO	【28】
Industrial RO	【30】
RO Kit	【36】



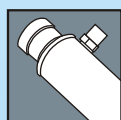
WATER SOFTENER

Water Softener	【34】
----------------	------



FILTERS

Sediment Filter	【40】
Carbon Filter	【41】
Inline Filter	【42】
Quick-Change Filter	【44】
RO Membrane	【64】



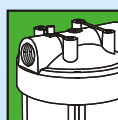
UV

UV Sterilizer	【46】
---------------	------



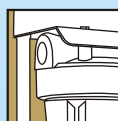
RO COMPONENTS

JACO	【47】
Quick Fitting	【48】
Ball Valve, Tank Valve	【50】
Mounting Clip	【50】
Housing Wrench	【51】
Pressure Switch	【51】
Auto Shut-Off Valve	【51】
Flow Restrictor	【51】
Check Valve	【51】
Solenoid Valve	【52】
Self Piercing Valve	【52】
Feed Water Connector	【52】
Deliver Valve	【53】
Micro Computer Controller	【53】
TDS Adjustment Valve	【54】
Pressure Reducer Valve	【54】
Leakage Detector	【54】
Pressure Gauge	【54】
Flow Meter	【54】
Tubing	【54】
Booster Pump	【55】
Bracket	【55】
Water Storage Tank	【57】
Faucet	【58】



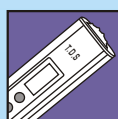
HOUSING

Membrane Housing	【64】
Stainless Steel Pressure Vessel	【64】
Filter Housing	【68】
Under Sink Water Filter	【70】



WHOLE HOUSE

Jumbo Filter	【71】
Whole House Filter	【71】
Countertop Water Filter	【72】



WATER TESTER

Water Tester	【74】
--------------	------

RO SYSTEM

::ECONOMY RO

EC105 / Economy Type RO System



EC105
System: 37 x 45 x 20 (cm)
Tank: 28 x 28 x 35 (cm)
Weight: 12 kgs
Membrane: TFC-50 GPD
Faucet: #108
Tank: 3.2G NSF Tank

※ The system includes a standard set of component parts.

EC105P / Economy Type RO System



EC105P
System: 37 x 45 x 20 (cm)
Tank: 28 x 28 x 35 (cm)
Weight: 16 kgs
Membrane: TFC-50 GPD
Faucet: #108
Tank: 3.2G NSF Tank

※ The system includes a standard set of component parts.

EC106M / New 6 Stages with Mineral Filter



EC106M
System: 37 x 48 x 20 (cm)
Tank: 28 x 28 x 35 (cm)
Weight: 13 kgs
Membrane: TFC-50 GPD
Faucet: #108
Tank: 3.2G NSF Tank

※ The system includes a standard set of component parts.

EC106M-P / New 6 Stages with Mineral Filter



EC106M-P
System: 37 x 48 x 20 (cm)
Tank: 28 x 28 x 35 (cm)
Weight: 16 kgs
Membrane: TFC-50 GPD
Faucet: #108
Tank: 3.2G NSF Tank

※ The system includes a standard set of component parts.

EC106R / New 6 Stages with Infra-Red Filter



EC106R
System: 37 x 48 x 20 (cm)
Tank: 28 x 28 x 35 (cm)
Weight: 13 kgs
Membrane: TFC-50 GPD
Faucet: #108
Tank: 3.2G NSF Tank

※ The system includes a standard set of component parts.

EC106R-P / New 6 Stages with Infra-Red Filter



EC106R-P
System: 37 x 48 x 20 (cm)
Tank: 28 x 28 x 35 (cm)
Weight: 16 kgs
Membrane: TFC-50 GPD
Faucet: #108
Tank: 3.2G NSF Tank

※ The system includes a standard set of component parts.

EC106-DI / New 6 Stages with Deionization (DI) Filter



EC106-DI
System: 37 x 48 x 20 (cm)
Tank: 28 x 28 x 35 (cm)
Weight: 13 kgs
Membrane: TFC-50 GPD
Faucet: #108
Tank: 3.2G NSF Tank

※ The system includes a standard set of component parts.

EC106-PH / New 6 Stages with Alkaline Filter



EC106-PH
System: 37 x 48 x 20 (cm)
Tank: 28 x 28 x 35 (cm)
Weight: 13 kgs
Membrane: TFC-50 GPD
Faucet: #108
Tank: 3.2G NSF Tank

※ The system includes a standard set of component parts.



Quality Water for Quality Life

Better water, clean refreshing taste

EC SERIES provides safe, pure water using reverse osmosis technology.



EC SERIES

You get quality & performance at prices that will surprise you!

The response of EC SERIES has been incredibly successful. Why pay more? Buy from the source and save money!



EC105P

5 stage with booster pump

EC105P-UV

6 stage with UV & booster pump

EC106M-P

6 stage with mineral filter & booster pump

RO SYSTEM

:: TYPICAL RO

RO105 / 5 Stage RO Water System



RO105
System: 37 x 45 x 20 (cm)
Tank: 28 x 28 x 35 (cm)
Weight: 12 kgs
Membrane: TFC-80 GPD
Faucet: #101
Tank: 3.2G NSF Tank

※ The system includes a standard set of component parts.

RO101 / Standard Type RO Water System



RO101
System: 47 x 42 x 20 (cm)
Tank: 28 x 28 x 35 (cm)
Weight: 16 kgs
Membrane: TFC-80 GPD
Faucet: #101
Tank: 3.2G NSF Tank

※ The system includes a standard set of component parts.

RO105UV / 5 Stage RO Water System with UV



RO105UV
System: 37 x 48 x 20 (cm)
Tank: 28 x 28 x 35 (cm)
Weight: 13 kgs
Membrane: TFC-80 GPD
Faucet: #101
Tank: 3.2G NSF Tank

※ The system includes a standard set of component parts.

RO102 / Manual Flushing Membrane System



RO102
System: 47 x 42 x 20 (cm)
Tank: 28 x 28 x 35 (cm)
Weight: 16 kgs
Membrane: TFC-80 GPD
Faucet: #101
Tank: 3.2G NSF Tank

※ The system includes a standard set of component parts.

RO105TDS / Water Quality Monitor



RO105TDS
System: 37 x 42 x 20 (cm)
Tank: 28 x 28 x 35 (cm)
Weight: 12 kgs
Membrane: TFC-80 GPD
Faucet: #101
Tank: 3.2G NSF Tank

※ The system includes a standard set of component parts.

RO103 / Auto Flushing Membrane System



RO103
System: 47 x 42 x 20 (cm)
Tank: 28 x 28 x 35 (cm)
Weight: 18 kgs
Membrane: TFC-80 GPD
Faucet: #101
Tank: 3.2G NSF Tank

※ The system includes a standard set of component parts.

:: PUMP RO

RO101SV / Saving Space RO Water System



RO101SV
System: 37 x 45 x 20 (cm)
Tank: 28 x 28 x 35 (cm)
Weight: 16 kgs
Membrane: TFC-80 GPD
Faucet: #101
Tank: 3.2G NSF Tank

※ The system includes a standard set of component parts.

RO103TDS / Auto-Flush with TDS Display



RO103TDS
System: 47 x 42 x 20 (cm)
Tank: 28 x 28 x 35 (cm)
Weight: 18 kgs
Membrane: TFC-80 GPD
Faucet: #101
Tank: 3.2G NSF Tank

※ The system includes a standard set of component parts.

NEW 6 STAGES with Mineral Filter and Booster Pump

Activates water molecules in our body
Improve oxygen level in our body



Mineral Filter

Plus

EC106M-P

New 6 Stage with Mineral Filter
and Booster Pump

The mineralized water after the mineralized filter has perfectly balanced proportions of minerals necessary for healthy development of the human body.



PurePro Reverse Osmosis

RO SYSTEM

:: RO + UV SYSTEM

EC105-UV / 5 Stage RO Water System with UV



EC105-UV
System: 37 x 45 x 20 (cm)
Tank: 28 x 28 x 35 (cm)
Weight: 13 kgs
Membrane: TFC-50 GPD
Faucet: #108
Tank: 3.2G NSF Tank

※ The system includes a standard set of component parts.

:: UV SYSTEM

3 Stage UV Filtration System



UV301
System: 37 x 45 x 20 (cm)
Weight: 6 kgs
UV Sterilizer: 1 GPM
Faucet: #108

※ The system includes a standard set of component parts.

EC106-MUV / 6 Stage RO Water System with UV



EC106-MUV
System: 37 x 482 x 20 (cm)
Tank: 28 x 28 x 35 (cm)
Weight: 14 kgs
Membrane: TFC-50 GPD
Faucet: #108
Tank: 3.2G NSF Tank

※ The system includes a standard set of component parts.

4 Stage UV Filtration System



UV401
System: 37 x 45 x 20 (cm)
Weight: 6.5 kgs
UV Sterilizer: 1 GPM
Faucet: #108

※ The system includes a standard set of component parts.

RO101SV-UV / 5 Stage RO Water System with UV



RO101SV-UV
System: 37 x 48 x 20 (cm)
Tank: 28 x 28 x 35 (cm)
Weight: 17 kgs
Membrane: TFC-80 GPD
Faucet: #101
Tank: 3.2G NSF Tank

※ The system includes a standard set of component parts.

5 Stage UV Filtration System with Infra-Red Filter



UV501-R
System: 37 x 45 x 20 (cm)
Weight: 8 kgs
UV Sterilizer: 1 GPM
Faucet: #108

※ The system includes a standard set of component parts.

RO103TDS-UV / 5 Stage RO Water System with UV



RO103TDS-UV
System: 47 x 42 x 20 (cm)
Tank: 28 x 28 x 35 (cm)
Weight: 19 kgs
Membrane: TFC-80 GPD
Faucet: #101
Tank: 3.2G NSF Tank

※ The system includes a standard set of component parts.

5 Stage UV Filtration System with Mineral Filter



UV501-M
System: 37 x 45 x 20 (cm)
Weight: 8 kgs
UV Sterilizer: 1 GPM
Faucet: #108

※ The system includes a standard set of component parts.



**M800P-MA (with booster pump)
New 7 Stage with Mineral Filter
& Alkaline Filter**

The world's most elegant reverse osmosis water systems are also the world's most attractive water systems. The clean lines and graceful contours of the bright white cabinet make it the most attractive reverse osmosis water system available.



Mineral Filter

The mineralized water after the mineralized filter has perfectly balanced proportions of minerals necessary for healthy development of the human body.



Alkaline Filter

The only filtration in the world today that will reduce acidity in the body and it will produce natural calcium, magnesium, sodium and potassium ions that can be absorbed 100% in the human body.



Enjoy
**Great
Tasting
Water**



Your clear choice in drinking water systems

RO SYSTEM

::RO + UV SYSTEM

M800-MUV / 6 Stage RO Water System with UV



M800-MUV
System: 29 x 41 x 25 (cm)
Tank: 28 x 28 x 35 (cm)
Weight: 11.5kgs
Membrane: TFC-50 GPD
Faucet: #108
Tank: 3.2G NSF Tank

※ The system includes a standard set of component parts.

::S-SERIES

S800 / The World's Most Elegant RO with Quick-Change Cartridge



S800
System: 47 x 40 x 27 (cm)
Weight: 11.5kgs
Membrane: TFC-50 GPD
Faucet: #108
Tank: 2.2G NSF Tank

※ The system includes a standard set of component parts.

S500-UV / 5 Stage RO Water System with UV



S500-UV
System: 27 x 39.8 x 22.5 (cm)
Tank: 28 x 28 x 35 (cm)
Weight: 9.5 kgs
Membrane: TFC-50 GPD
Faucet: #108
Tank: 3.2G NSF Tank

※ The system includes a standard set of component parts.

S500 / Quick-Change Cartridges RO units



S500
System: 27 x 39.8 x 22.5 (cm)
Tank: 28 x 28 x 35 (cm)
Weight: 8.5 kgs
Membrane: TFC-50 GPD
Faucet: #108
Tank: 3.2G NSF Tank

※ The system includes a standard set of component parts.

S500-MUV / 6 Stage RO Water System with UV



S500-MUV
System: 27 x 39.8 x 22.5 (cm)
Tank: 28 x 28 x 35 (cm)
Weight: 10 kgs
Membrane: TFC-50 GPD
Faucet: #108
Tank: 3.2G NSF Tank

※ The system includes a standard set of component parts.

S300 / World's Most Attractive Filters



S300 (A, B, C, D)
System: 16 x 31.8 x 19.5 (cm)
Weight: 3.5 kgs
A: Feed Water Connector
B: Faucet #101
C: Countertop Parts Drinking Faucet
D: Water Ionizer Faucet

※ The system includes a standard set of component parts.

S800-MUV / 6 Stage RO Water System with UV



S800-MUV
System: 47 x 40 x 27 (cm)
Weight: 13 kgs
Membrane: TFC-50 GPD
Faucet: #108
Tank: 2.2G NSF Tank

※ The system includes a standard set of component parts.

Espresso Pro 100 / 200 / 400



Espresso Pro 100/ 200 / 400
System: 47 x 40 x 27 (cm)
Weight: 11.5kgs
Membrane: Espresso Pro 100: NF-100 GPD Espresso Pro 200: NF-250 GPD Espresso Pro 400: NF-250 GPD x 2
Faucet: #181
Tank: 2.2G NSF Tank

※ The system includes a standard set of component parts.

Quality Reliability Support



S500

Drinking Water System

PurePro's new water filter not only looks better, but is also easier to maintain. Use twist and quick-change cartridge design makes filter changes fast and easy with no tools, spills or contamination.

It's Better Water Clean Refreshing Taste

S800

Drinking Water System

The world's most elegant reverse osmosis water systems are also the world's most attractive water systems. The clean lines and graceful contours of the bright white cabinet make it the most attractive reverse osmosis water system available.



PurePro Reverse Osmosis

RO SYSTEM

:: EASY-CHANGE RO SYSTEM

EZ-105 / 5-Stage RO System



EZ-105
System: 29 x 42.5 x 21 (cm)
Tank: 28 x 28 x 35 (cm)
Weight: 8 kgs
Membrane: TFC-50 GPD
Faucet: #108
Tank: 3.2G NSF Tank

※ The system includes a standard set of component parts.

EZ-105P / 5-Stage RO System



EZ-105P
System: 29 x 42.5 x 21 (cm)
Tank: 28 x 28 x 35 (cm)
Weight: 13.5 kgs
Membrane: TFC-50 GPD
Faucet: #108
Tank: 3.2G NSF Tank

※ The system includes a standard set of component parts.

EZ-105 Orange Series / 5-Stage RO System



EZ-105 Orange Series
System: 29 x 42.5 x 21 (cm)
Tank: 28 x 28 x 35 (cm)
Weight: 8 kgs
Membrane: TFC-50 GPD
Faucet: #108
Tank: 3.2G NSF Tank

※ The system includes a standard set of component parts.

EZ-105P Orange Series / 5-Stage RO System



EZ-105P Orange Series
System: 29 x 42.5 x 21 (cm)
Tank: 28 x 28 x 35 (cm)
Weight: 13.5 kgs
Membrane: TFC-50 GPD
Faucet: #108
Tank: 3.2G NSF Tank

※ The system includes a standard set of component parts.

EZ-105 Blue Series / 5-Stage RO System



EZ-105 Blue Series
System: 29 x 42.5 x 21 (cm)
Tank: 28 x 28 x 35 (cm)
Weight: 8 kgs
Membrane: TFC-50 GPD
Faucet: #108
Tank: 3.2G NSF Tank

※ The system includes a standard set of component parts.

EZ-105P Blue Series / 5-Stage RO System



EZ-105P Blue Series
System: 29 x 42.5 x 21 (cm)
Tank: 28 x 28 x 35 (cm)
Weight: 13.5 kgs
Membrane: TFC-50 GPD
Faucet: #108
Tank: 3.2G NSF Tank

※ The system includes a standard set of component parts.

EZ-105 Green Series / 5-Stage RO System



EZ-105 Green Series
System: 29 x 42.5 x 21 (cm)
Tank: 28 x 28 x 35 (cm)
Weight: 8 kgs
Membrane: TFC-50 GPD
Faucet: #108
Tank: 3.2G NSF Tank

※ The system includes a standard set of component parts.

EZ-105P Green Series / 5-Stage RO System



EZ-105P Green Series
System: 29 x 42.5 x 21 (cm)
Tank: 28 x 28 x 35 (cm)
Weight: 13.5 kgs
Membrane: TFC-50 GPD
Faucet: #108
Tank: 3.2G NSF Tank

※ The system includes a standard set of component parts.



Quick-Change Cartridge

Simply the **BEST**
of the **BEST** !!

Quick-Change RO systems
are so easy to service !!

EZ-105P
Quick-Change RO System

PurePro² Quick-Change RO Systems are designed for consumers that demand the BEST! Change filters with a single 1/4 turn twist! Much quicker than traditional systems!



**BEST
CHOICE**



PurePro Reverse Osmosis

RO SYSTEM

::STANDARD RO SYSTEM

QC-105 / 5-Stage RO System



QC-105
System: 37 x 45 x 20 (cm)
Tank: 28 x 28 x 35 (cm)
Weight: 8 kgs
Membrane: TFC-50 GPD
Faucet: #108
Tank: 3.2G NSF Tank

※ The system includes a standard set of component parts.

QC-105P / 5-Stage RO System



QC-105P
System: 37 x 45 x 20 (cm)
Tank: 28 x 28 x 35 (cm)
Weight: 9 kgs
Membrane: TFC-50 GPD
Faucet: #108
Tank: 3.2G NSF Tank

※ The system includes a standard set of component parts.

QC-105 Green Series / 5-Stage RO System



QC-105 Green Series
System: 37 x 45 x 20 (cm)
Tank: 28 x 28 x 35 (cm)
Weight: 8 kgs
Membrane: TFC-50 GPD
Faucet: #108
Tank: 3.2G NSF Tank

※ The system includes a standard set of component parts.

QC-105P Green Series / 5-Stage RO System



QC-105P Green Series
System: 37 x 45 x 20 (cm)
Tank: 28 x 28 x 35 (cm)
Weight: 9 kgs
Membrane: TFC-50 GPD
Faucet: #108
Tank: 3.2G NSF Tank

※ The system includes a standard set of component parts.

QC-105 Orange Series / 5-Stage RO System



QC-105 Orange Series
System: 37 x 45 x 20 (cm)
Tank: 28 x 28 x 35 (cm)
Weight: 8 kgs
Membrane: TFC-50 GPD
Faucet: #108
Tank: 3.2G NSF Tank

※ The system includes a standard set of component parts.

QC-105P Orange Series / 5-Stage RO System



QC-105P Orange Series
System: 37 x 45 x 20 (cm)
Tank: 28 x 28 x 35 (cm)
Weight: 9 kgs
Membrane: TFC-50 GPD
Faucet: #108
Tank: 3.2G NSF Tank

※ The system includes a standard set of component parts.

QC-105 Blue Series / 5-Stage RO System



QC-105 Blue Series
System: 37 x 45 x 20 (cm)
Tank: 28 x 28 x 35 (cm)
Weight: 8 kgs
Membrane: TFC-50 GPD
Faucet: #108
Tank: 3.2G NSF Tank

※ The system includes a standard set of component parts.

QC-105P Blue Series / 5-Stage RO System



QC-105P Blue Series
System: 37 x 45 x 20 (cm)
Tank: 28 x 28 x 35 (cm)
Weight: 9 kgs
Membrane: TFC-50 GPD
Faucet: #108
Tank: 3.2G NSF Tank

※ The system includes a standard set of component parts.

Enjoy ultra fresh, clean, great tasting water.

QC-105P Orange Series

PurePro Reverse Osmosis is recognized as one of the best available technologies for producing best quality drinking water. No other home water treatment system can offer you as much protection and reliability.



Features:

- * Standard Cartridges
- * Advanced Design
- * Superior Value
- * RO / NF Membrane

PurePro Reverse Osmosis

RO SYSTEM

:: ROYAL RO SYSTEM

RS-105 / 5-Stage RO System



RS-105
System: 27.5 x 44.5 x 26.5 (cm)
Tank: 28 x 28 x 35 (cm)
Weight: 8 kgs
Membrane: TFC-100 GPD
Faucet: #101
Tank: 3.2G NSF Tank

※ The system includes a standard set of component parts.

RS-106UV / 6-Stage with Ultraviolet Sterilizer



RS-106UV
System: 27.5 x 44.5 x 26.5 (cm)
Tank: 28 x 28 x 35 (cm)
Weight: 8 kgs
Membrane: TFC-100 GPD
Faucet: #101
Tank: 3.2G NSF Tank

※ The system includes a standard set of component parts.

RS-106M / 6-Stage with Mineral Filter



RS-106M
System: 27.5 x 44.5 x 26.5 (cm)
Tank: 28 x 28 x 35 (cm)
Weight: 8 kgs
Membrane: TFC-100 GPD
Faucet: #101
Tank: 3.2G NSF Tank

※ The system includes a standard set of component parts.

RS-103TDS / 5-Stage with TDS Monitor



RS-103TDS
System: 27.5 x 44.5 x 26.5 (cm)
Tank: 28 x 28 x 35 (cm)
Weight: 8 kgs
Membrane: TFC-100 GPD
Faucet: #101
Tank: 3.2G NSF Tank

※ The system includes a standard set of component parts.

RS-106R / 6-Stage with Far-Infrared Filter



RS-106R
System: 27.5 x 44.5 x 26.5 (cm)
Tank: 28 x 28 x 35 (cm)
Weight: 8 kgs
Membrane: TFC-100 GPD
Faucet: #101
Tank: 3.2G NSF Tank

※ The system includes a standard set of component parts.

RS-108 (MRA-P) / 8-Stage RO System



RS-108 (MRA-P)
System: 27.5 x 44.5 x 26.5 (cm)
Tank: 28 x 28 x 35 (cm)
Weight: 8 kgs
Membrane: TFC-100 GPD
Faucet: #101
Tank: 3.2G NSF Tank

※ The system includes a standard set of component parts.

RS-106A / 6-Stage with Alkaline Filter



RS-106A
System: 27.5 x 44.5 x 26.5 (cm)
Tank: 28 x 28 x 35 (cm)
Weight: 8 kgs
Membrane: TFC-100 GPD
Faucet: #101
Tank: 3.2G NSF Tank

※ The system includes a standard set of component parts.

R8 / 8-Stage RO System



R8
System: 45.5 x 43.2 x 25 (cm)
Weight: 13 kgs
Membrane: TFC-100 GPD
Faucet: #181
Tank: 1.8G NSF Tank

※ The system includes a standard set of component parts.

Royal Series

Quick-Change Cartridge



New 8 stage

with Mineral, Alkaline and Infra-Red Filters



Mineral Filter



Far-Infrared



Alkaline Filter

Plus



RS-108

8 stage with Mineral, Alkaline and Far-Infrared Filter

100GPD ROYAL RO system with European Style Faucet

Quick-change cartridge RO system
The newly designed ROYAL RO system is user friendly with design simplicity in mind. It requires no tools for filter changes. Use twist and quick-change cartridge design makes filter changes fast, clean and easy. This space saving allows maximum use of your under counter space. PurePro® ROYAL RO system uses 100GPD membrane which is powerful, fast and excellent efficiency.



RO SYSTEM

::PUREPRO X6

X6 / Red



X6 / Red
System: 30 x 41.5 x 18 (cm)
Tank: 28 x 28 x 35 (cm)
Weight: 8 kgs
Membrane: ECO-100 GPD
Faucet: #181
Tank: 3.2G NSF Tank

※ The system includes a standard set of component parts.

X6 / Blue



X6 / Blue
System: 30 x 41.5 x 18 (cm)
Tank: 28 x 28 x 35 (cm)
Weight: 8 kgs
Membrane: ECO-100 GPD
Faucet: #181
Tank: 3.2G NSF Tank

※ The system includes a standard set of component parts.

X6 / Orange



X6 / Orange
System: 30 x 41.5 x 18 (cm)
Tank: 28 x 28 x 35 (cm)
Weight: 8 kgs
Membrane: ECO-100 GPD
Faucet: #181
Tank: 3.2G NSF Tank

※ The system includes a standard set of component parts.

::BRING THE MOUNTAIN TO YOU

M1



M1
System: 38.5 x 38 x 10.5 (cm)

※ The system includes a standard set of component parts.

M2



M2
System: 34 x 14.5 x 14.6 (cm)

※ The system includes a standard set of component parts.
Cartridge filters:
Alkaline / Mineral / Far-infrared
Post carbon filter

M3



M3
System: 34 x 14 x 11 (cm)

※ The system includes a standard set of component parts.
Cartridge filters:
Alkaline / Mineral / Far-infrared
Post carbon filter

PurePro X6

- Advanced Eco RO Membrane Technology retains Calcium, Magnesium, Potassium and other nature minerals.
- Energy in a glass - Alkaline antioxidant water has up to 100% more oxygen than regular water.
- Advanced Eco RO + UV purification system, absolute purity-last stage last second UV purification.



Health PurePro RO, Happy Family!

Enjoy the incredible
health benefits.

RO SYSTEM

:: WATER FILTRATION SYSTEM

RS2000



RS2000
System: 17 x 33 x 9 (cm)
Weight: 4.5 kgs
Faucet: Optional
※ The system includes a standard set of component parts.

RS3000-UV



RS3000-UV
System: 34 x 36 x 9 (cm)
Weight: 5.5 kgs
Faucet: Optional
※ The system includes a standard set of component parts.

RS3000-M



RS3000-M
System: 34 x 36 x 9 (cm)
Weight: 5.5 kgs
Faucet: Optional
※ The system includes a standard set of component parts.

RS4000



RS4000
System: 33 x 33 x 9 (cm)
Weight: 6 kgs
Faucet: Optional
※ The system includes a standard set of component parts.

RS3000-A



RS3000-A
System: 34 x 36 x 9 (cm)
Weight: 5.5 kgs
Faucet: Optional
※ The system includes a standard set of component parts.

CT2000



CT2000
System: 17 x 31 x 9 (cm)
Weight: 3.5 kgs
※ The system includes a standard set of component parts.

RS3000-R



RS3000-R
System: 34 x 36 x 9 (cm)
Weight: 5.5 kgs
Faucet: Optional
※ The system includes a standard set of component parts.

CT3000



CT3000
System: 24 x 31 x 9 (cm)
Weight: 4.5 kgs
※ The system includes a standard set of component parts.



Water is life

Welcome to
A New World of Safe,
Clean Water!

PurePro® Water Filtration Systems
You get clean, safe, clear, healthy, great
tasting water at every tap in your home.
No electricity needed. No wasted water.

- * Slim Line Design
- * Designer Faucet
- * Easy-Change Filter
- * Sanitary Safe
- * 100% Factory Tested

Easy-Change
Cartridge

RS2000

RS3000

RS4000



Plus
ALKALINE FILTER
NATURAL ALKALINE IONIZED WATER!

RO SYSTEM

ASTROBOY / Countertop Smart RO System



ASTROBOY
System: 36 x 46 x 25 (cm)
Weight: 12.5 kgs
Membrane: TFC-80 GPD
Tank: 4.5G Portable Tank
※ The system includes a standard set of component parts.

JA-503 / Water Ionizer



JA-503
System: 31.5 x 27.5 x 14 (cm)
Weight: 3.5 kgs
Filtration Capacity: 12,000L
Electrolysis Chamber Area: 450cm²
※ The system includes a standard set of component parts.

MH943 / Water Distillers



MH943
System: 20 x 36 x 40 (cm)
Weight: 3.5 kgs
Stainless Steel Boiler: 4 Liters
Storage Bottle : 4 Liters
※ The system includes a standard set of component parts.

JA-303 / Water Ionizer



JA-303
System: 31.5 x 27.5 x 14 (cm)
Weight: 3.7 kgs
Filtration Capacity: 12,000L
Electrolysis Chamber Area: 450cm²
※ The system includes a standard set of component parts.

S3 / Water Distillers



S3
System: 20 x 36 x 40 (cm)
Weight: 3.5 kgs
Stainless Steel Boiler: 4 Liters
Storage Bottle : 4 Liters
※ The system includes a standard set of component parts.

JA-703 / Water Ionizer



JA-703
System: 31.5 x 25.5 x 13.5 (cm)
Weight: 3.5 kgs
Filtration Capacity: 12,000L
Electrolysis Chamber Area: 450cm²
※ The system includes a standard set of component parts.

JA-103 / Water Ionizer



JA-103
System: 31.5 x 27.5 x 14 (cm)
Weight: 3.5 kgs
Filtration Capacity: 12,000L
Electrolysis Chamber Area: 450cm²
※ The system includes a standard set of component parts.

JA-2000 / Water Ionizer



JA-2000
System: 31 x 22 x 12.5 (cm)
Weight: 5 kgs
Filtration Capacity: 12,000L
Electrolysis Chamber Area: 450cm²
※ The system includes a standard set of component parts.



Quality WATER for Quality LIFE

Water Ionizer JA-703

Drinking antioxidant water is the most important thing you can do for your health. 7 plates can help you flush excess toxins from your body.



RO SYSTEM

:: G SERIES RO

G-106M / New 6 Stage with Mineral Filter



G-106M
System: 36 x 47 x 21(cm)
Tank: 28 x 28 x 35 (cm)
Weight: 10 kgs
Membrane: TFC-50 GPD
Faucet: #108
Tank: 3.2G NSF Tank

※ The system includes a standard set of component parts.

:: AQUARIUM RO

FS201 / Mini Aquarium RO System



FS201
System: 30 x 16 x 12(cm)
Weight: 2.8 kgs
Membrane: TFC-50 GPD

※ The system includes a standard set of component parts.

G-106A / New 6 Stage with Alkaline Filter



G-106A
System: 36 x 47 x 21(cm)
Tank: 28 x 28 x 35 (cm)
Weight: 10 kgs
Membrane: TFC-50 GPD
Faucet: #108
Tank: 3.2G NSF Tank

※ The system includes a standard set of component parts.

FS301 / Aquarium RO System



FS301
System: 28 x 35 x 15(cm)
Weight: 4.8 kgs
Membrane: TFC-50 GPD

※ The system includes a standard set of component parts.

G-107MA / 7 Stage with Mineral & Alkaline Filter



G-107MA
System: 36 x 47 x 21 (cm)
Tank: 28 x 28 x 35 (cm)
Weight: 11 kgs
Membrane: TFC-50 GPD
Faucet: #108
Tank: 3.2G NSF Tank

※ The system includes a standard set of component parts.

FS401 / Aquarium RO System



FS401
System: 37 x 45 x 20(cm)
Weight: 6.5 kgs
Membrane: TFC-50 GPD

※ The system includes a standard set of component parts.

G-107RUV / 7 Stage with Infra-Red Filter & UV



G-107RUV
System: 36 x 47 x 21 (cm)
Tank: 28 x 28 x 35 (cm)
Weight: 11 kgs
Membrane: TFC-50 GPD
Faucet: #108
Tank: 3.2G NSF Tank

※ The system includes a standard set of component parts.

FS401P / Aquarium RO System



FS401P
System: 37 x 45 x 21 (cm)
Weight: 10 kgs
Membrane: TFC-50 GPD

※ The system includes a standard set of component parts.

Quality Reliability Support

The mineralized water after the mineralized filter has perfectly balanced proportions of minerals necessary for healthy development of the human body. The Alkaline filter changes the acidic RO water into a perfect alkaline water, balanced pH value of 8.0 ~9.5



Mineral Filter



Alkaline Filter

Plus

G-107MA-P (with booster pump) New 7 Stage with Mineral Filter & Alkaline Filter

This revolutionary new PurePro® 7 stage system uses Reverse Osmosis, Mineral Filter and Alkaline Filter to put refreshing, clean water at your fingertips. No other system available anywhere can give you all three kinds of purification in a system that is so simple.



PurePro Reverse Osmosis

RO SYSTEM

::OFFICE RO

Built-in 4 Stage RO System



Bonnie
System: 33 x 35 x 105 (cm)
Weight: 20 kgs
Hot Water Tank: 2.5 Liters
Cold Water Tank: 4 Liters
Filtration Stage: 4

- Touch switch interface for cold and hot water
- Safety lock for hot water
- Digital display for cold and hot temperature
- Invisible cup dispenser
- Direct chill system
- Leak detector
- Chilling capacity up to 20L perhour
- Heating capacity up to 10L perhour

Countertop Water Cooler (Auto Fill Up)



CW528
System: 32 x 35 x 49.5 (cm)
Instant hot and cool water

Water dispenser, very good combination with undersink RO system (Auto fill up with RO water)

Countertop Water Cooler (Auto Fill Up)



T1
System: 33 x 35 x 42 (cm)
Instant hot and cold water

Water dispenser, very good combination with undersink RO system (Auto fill up with RO water)

Built-in 4 Stage RO System



CW-929P-B
System: 42 x 37 x 110 (cm)
Weight: 22.5 kgs
Membrane: TFC-50 GPD
Hot Water Tank: 2.5 Liters
Cold Water Tank: 4 Liters
Room Water Tank: 8 Liters
Filtration Stage: 5

※ The system includes a standard set of component parts.

Countertop Water Cooler (Auto Fill Up)



T2
System: 23 x 35 x 45 (cm)
Instant hot and cold water

Water dispenser, very good combination with undersink RO system (Auto fill up with RO water)

Built-in 5 Stage RO System



A5
System: 26 x 40 x 115 (cm)
Hot Water Tank: 1.4 Liters
Cold Water Tank: 1.7 Liters
Room Water Tank: 3.5 Liters
Filtration Stage: 5

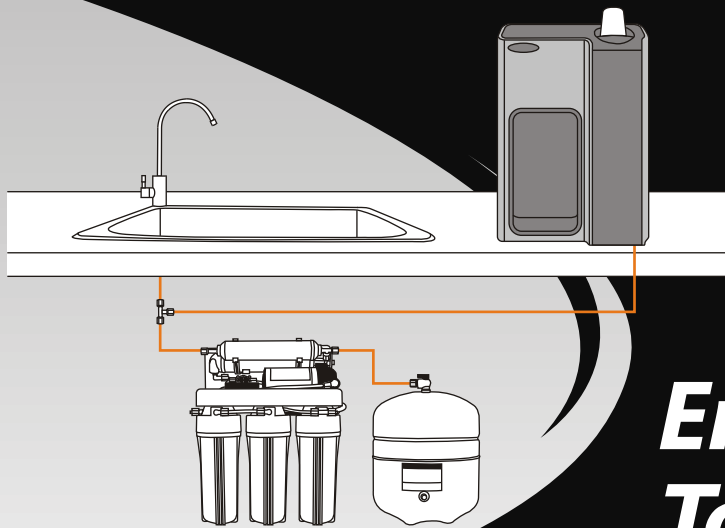
- Touch switch interface for cold and hot water
- Safety lock for hot water
- Digital display for cold and hot temperature
- Invisible cup dispenser
- Direct chill system
- Leak detector
- Chilling capacity up to 20L perhour
- Heating capacity up to 10L perhour

Countertop RO (Hot / Cold / Room)



C1
System: 26 x 52 x 58 (cm)
Cold Water Tank: 2.0 Liters
Room Water Tank: 2.2 Liters
Hot Water Tank: 2.8 Liters
Filtration Stage: 5

※ The system includes a standard set of component parts.



Enjoy Great Tasting Water

*Convenient, Clean, Plenty of Hot Water.
Connect to PurePro RS-108 system, Auto-Fill
with PurePro Mineral Water !*



TOP



FRONT



SIDE



PUREPRO TRUE HEALTH® T1

Instant Hot and Cold Pure Water

- Offering no-stop hot / cold water.
- Autofill with our alkaline mineral water.
- Touch switch interface for hot and cold water
- Safety lock for hot water
- Powerful chilling capacity up to 20 liters per hour
- Ideal for Hot Tea, Baby Milk, Noodle.

RO SYSTEM

::DIRECT FLOW RO

Super 380-Direct Flow



Super 380-Direct Flow
System: 38 x 25.5 x 46 (cm)
Weight: 18 kgs
Membrane: TFC-200 GPD x 2
Faucet: #181
※ The system includes a standard set of component parts.

::COMMERCIAL RO

RO400 / 400GPD Light Commercial RO System



RO400
System: 50 x 24 x 80 (cm)
Tank: 40 x 40 x 58 (cm)
Weigh(System & Tank): 45 kgs
Membrane: TFC-200 GPD x 2
Faucet: #108
Tank: 11G NSF Tank
※ The system includes a standard set of component parts.

M800-Direct Flow



M800-Direct Flow
System: 29 x 25 x 41 (cm)
Weight: 10 kgs
Membrane: TFC-200 GPD x 2
Faucet: #181
※ The system includes a standard set of component parts.

RO800 / 800GPD Light Commercial RO System



RO800
System: 50 x 24 x 80 (cm)
Tank: 56 x 56 x 88 (cm)
Weight(System & Tank): 60 kgs
Membrane: TFC-200 GPD x 4
Faucet: #108
Tank: 20G NSF Tank
※ The system includes a standard set of component parts.

S800-Direct Flow



S800-Direct Flow
System: 47 x 27 x 40 (cm)
Weight: 11.5 kgs
Membrane: TFC-200 GPD x 2
Faucet: #181
※ The system includes a standard set of component parts.

HRO-200 / 200GPD Light Commercial RO System



HRO-200
System: 38 x 25.5 x 46 (cm)
Weight: 17 kgs
Membrane: TFC-200 GPD x 1
Faucet: #101
※ The system includes a standard set of component parts.

A1



A1
System: 44.8 x 14 x 39.3 (cm)
Weight: 12 kgs
Membrane: 550 GPD
Faucet: #220
※ The system includes a standard set of component parts.

HRO-500 / 500GPD Light Commercial RO System



HRO-500
System: 38 x 25.5 x 46 (cm)
Weight: 20 kgs
Membrane: TFC-200 GPD x 3
Faucet: #101
※ The system includes a standard set of component parts.

PurePro® A1 Tankless RO

Refined. Elegant. Smart.



The PurePro® A1 Tankless RO is an innovative water filter system designed to help you enjoy a continuous flow of clean, filtered water, on-tap and on-demand. In addition to removing odors and reducing up to 98% of particulates in your water, its compact design makes it an ideal fit for nearly any home or lifestyle.

- * Tankless Design
- * 550G Direct Flow
- * 2:1 Pure to Drain
- * Compact Footprint
- * Slim and space saving
- * Easy change filter system



RO SYSTEM

::INDUSTRIAL RO

RO1500 / 1500GPD Industrial RO System



RO1500
System: 48 x 60 x 154 (cm)
Weight: 65 kgs
Membrane: 4040
※ The system is fully assembled, with 20" sediment filter x 1.

RO3000 / 3000GPD Industrial RO System



RO3000
System: 48 x 60 x 154 (cm)
Weight: 100 kgs
Membrane: 4040 x 2
※ The system is fully assembled, with 20" sediment filter x 2.

RO4500 / 4500GPD Industrial RO System



RO4500
System: 48 x 60 x 154 (cm)
Weight: 120 kgs
Membrane: 4040 x 3
※ The system is fully assembled, with 20" sediment filter x 2.

Portable Sea Water System



SWRO200G
System: 52 x 50 x 90 (cm)
Weight: 34 kgs
Membrane: 2521 x 1
※ The system is fully assembled, with 10" sediment filter x 1.



RO15000 / 15000GPD Industrial RO System

RO15000
System: 70 x 250 x 155 (cm)
Weight: 300 kgs
Membrane: 4040 x 10
※ Please contact PurePro to find out the best combination of your system.



Industrial RO System

Purification filter
for laboratory
and industrial using



RO800-IND



RO1500



RO3000



RO6000

Whole Home, Commercial and Industrial RO

As people become increasingly aware of the benefits of purified water, the demand for equipment capable of treating both municipal and well water supplies continues to grow. As a result, Whole House and Commercial Reverse Osmosis systems are becoming widely accepted. We carry a wide variety of RO systems, one of which will fit your application and your budget.

RO SYSTEM



RO24000 / 24000GPD Industrial RO System

RO24000

System: 70 x 250 x 155 (cm)

Weight: 350 kgs

Membrane: 8040 x 4

※ Please contact PurePro to find out the best combination of your system.

Specification

Part Number	RO1500	RO3000	RO4500	RO6000	RO12000	RO15000	RO24000
Capacity	1500 GPD	3000 GPD	4500 GPD	6000 GPD	12000 GPD	15000 GPD	24000 GPD
Working Pressure	150-250 PSI						
Booster Pump	0.75KW(1HP) PROCON 2507	2.2KW(2HP) Vertical Type Multistage Booster Pump	2.5KW(2HP) Vertical Type Multistage Booster Pump	2.8KW(4HP) Vertical Type Multistage Booster Pump	3.2KW(4HP) Vertical Type Multistage Booster Pump	3.2KW(4HP) Vertical Type Multistage Booster Pump	3.5KW(5.5HP) Vertical Type Multistage Booster Pump
Membrane Material	T.F.C with FRP outer wrap						
Membrane Size x Unit	4040 x 1	4040 x 2	4040 x 3	4040 x 4	4040 x 8	4040 x 10	8040 x 4
Membrane Housing Material	304 stainless steel with caps						
Membrane Housing	4040 x 1	4040 x 2	4040 x 3	4040 x 4	4080 x 4	4080 x 5	8080 x 2
Flow Meters	Purewater / Wastewater						
Pressure Gauges	Feed water pressure / Booster pump outlet pressure gauges						
Water quality indicator	TDS meter with LCD						
Electrical Controls	Micro-computer control, overload breakers, LED indicators						
Frames Parts	Stainless steel main frame						
Dimensions LxWxH(mm)	480 x 600 x 1540		550 x 800 x 1600		700 x 2550 x 1550		
Weight	≈ 65kg	≈ 100kg	≈ 120kg	≈ 150kg	≈ 300kg	≈ 300kg	≈ 350kg
Optional Components	Work Flow Process Control Panel						
Pre-Filtration	2 x 20" Filter Housing (20" PP Cartridges 5u + UDF)				TK207 (20" PP Cartridges 5u x 7)		
※ Feed Water Requirements:							
Feed Water Pressure > 40PSI		Feed Water Temp. : 20~45°C			Feed Water TDS < 1000PPM		
SDI < 3		turbidity < 1 NTU			iron < 0.1PPM		
PH : 3~11		oxidizer < 0 PPM			hardness < 5PPM		

24000GPD Industrial RO System

Purification filter
for laboratory
and industrial using



Whole Home, Commercial and Industrial RO

As people become increasingly aware of the benefits of purified water, the demand for equipment capable of treating both municipal and well water supplies continues to grow. As a result, Whole House and Commercial Reverse Osmosis systems are becoming widely accepted. We carry a wide variety of RO systems, one of which will fit your application and your budget.

WATER SOFTENER

PurePro whole house filters for Iron and Manganese reduction.

Iron is one of the most common elements found in nature, and most ground waters contain a measurable amount of iron. Iron stains bathtubs, toilets, sinks, driveways and it will even stain the side of your house in sufficient concentrations. Watts offers two media types to remove Iron in point-of-entry applications.

Two media types

FILOX™

A non-chemical oxidizing media to reduce Iron.

Greensand-Plus™

An enhanced version of the traditional medium to remove Iron from water.

Filox™ system advantages

- Highest flow rate of any Iron removal media.
- No oxidizing chemicals needed for regeneration.
- High efficiency with 80% Manganese dioxide for enhanced performance and capacity.
- Effective, from 5.0 to 9.0 pH.
- System is easy to program, with 10 pre-programmed regeneration cycles to optimize water treatment.

Greensand-Plus™ system advantage

- Lower backwash requirements.
- Known saturation capacity.
- Higher temperatures and differential pressures than traditional Manganese Greensand.
- Greensand-Plus is also used for radium reduction.
- User friendly, low maintenance electronic time clock valve.



Note:

The use of chemicals and oxidizers, such as chlorine, potassium permanganate and oxygen may be required for both systems to provide the optimal treatment for Iron, Hydrogen Sulfide and Manganese.

Specification

Part Number	Volume	Flow Rate	Turbidity	Controller	Thread	Dimension
YS-1035	30 Liters	27 GPM	NTU < 5	Timer	1"	10" x 35"
YS-1054	50 Liters	27 GPM	NTU < 5	Timer	1"	10" x 54"
YS-1354	80 Liters	27 GPM	NTU < 10	Timer	1"	13" x 54"
YS-1465	100 Liters	27 GPM	NTU < 10	Timer	1"	14" x 65"
YS-1665	120 Liters	27-50 GPM	NTU < 10	Timer	1"-1&1/2"	16" x 65"

WATER SOFTENER

:: WATER SOFTENER

Control Valve 263



Part Number
ST09

Water Softener 30L



Part Number
ST16

Control Valve 268



Part Number
ST10

Black Tank Head



Part Number
ST17
Inlet / Outlet
3/4", 1", 1.5"

Control Valve-Fileck 5600



Part Number
ST11

Manual Control Valve



Part Number
ST18

Control Valve 180



Part Number
ST12

Flow Meter



Part Number
ST18

Stainless Steel Filter System

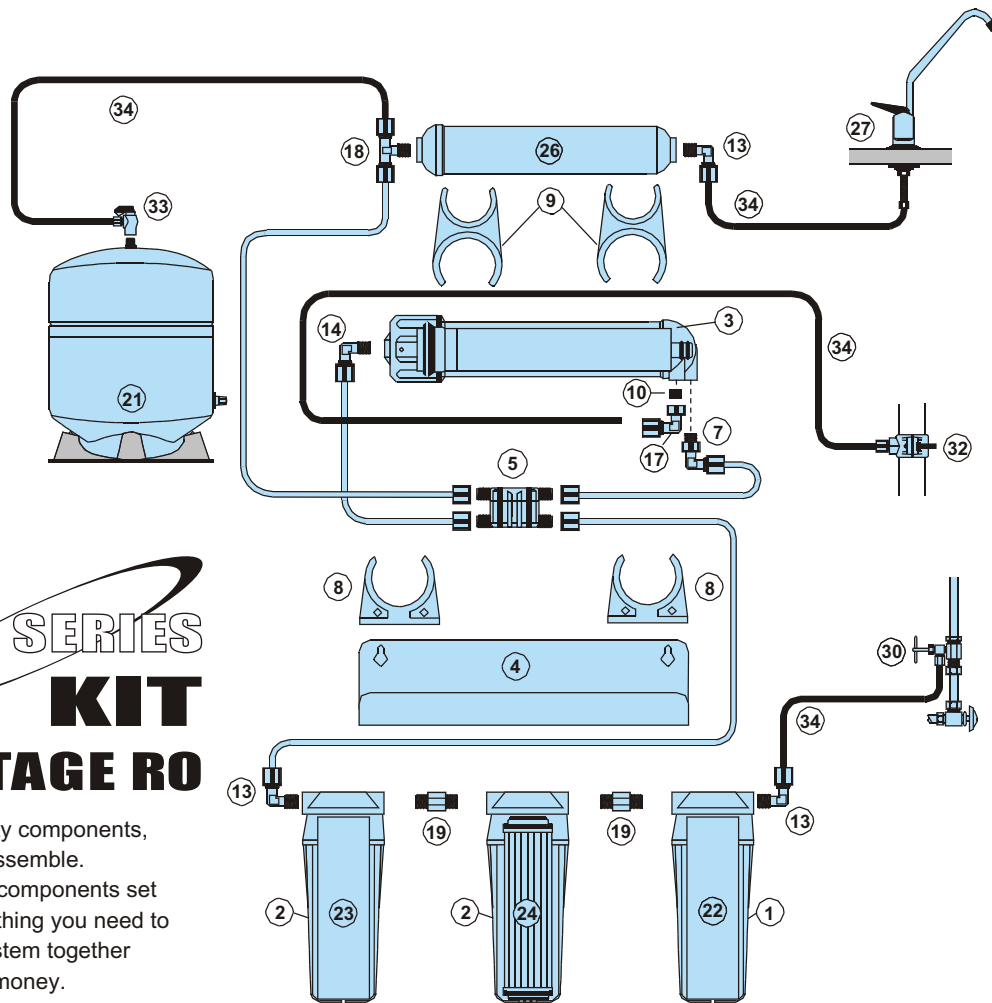


Part Number
ST13
Part Number
ST14
Part Number
ST15

RO KIT

ERO SERIES KIT 5 STAGE RO

High quality components,
ready to assemble.
Complete components set
with everything you need to
put the system together
and save money.

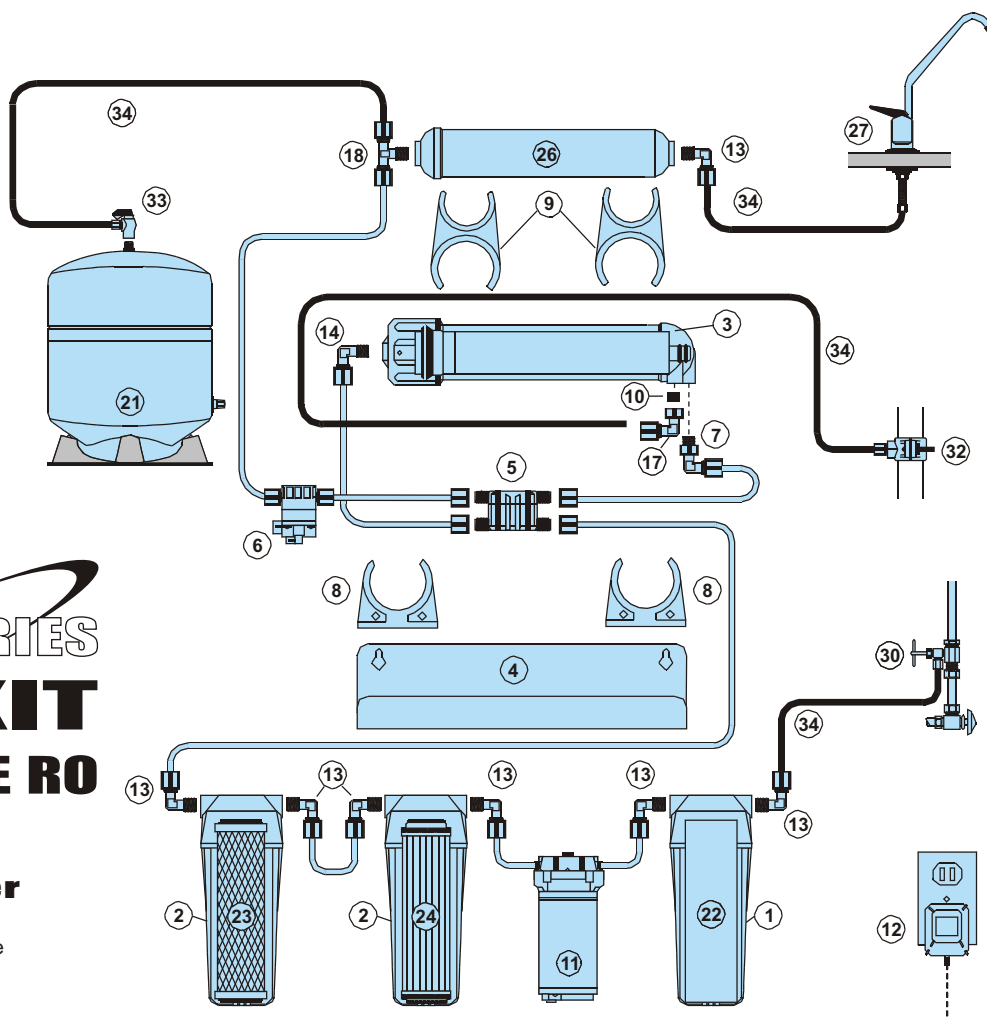


EC105 KIT (5 STAGE RO)

NO.	PART#	DESCRIPTION	QTY.	NO.	PART#	DESCRIPTION	QTY.
1	11011	10" housing 1/4"NPT Clear	1	21	02001	Water storage tank 3.2G Steel Made	1
2	11012	10" housing 1/4"NPT White / Opaque	2	22	03001	5 micron 10" spun sediment filter	1
3	11031	Membrane Housing White 1812	1	23	03002	1 micron 10" spun sediment filter	1
4	12001	Housing Bracket White	1	24	04008	10" activated carbon filter	1
5	08015	Auto Shut-Off Valve	1	25	05004	TFC type membrane 50GPD Made in USA	1
7	08017	Check Valve, Stainless Steel	1	26	04007	Post Carbon Filter	1
8	08006	Single Clip	2	27	108	Brass Type Faucet	1
9	08007	Double Clip	2	28	08037	1/2" Feed Water Connector (optional)	0
10	08023	Mini Flow Restrictor	1	29	08040	1/4" deliver valve (optional)	0
13	06021	4044 Jaco	3	30	08039	Needle Valve	1
14	06020	4042 Jaco	2	31	08032	Housing Wrench , Full Circle	1
18	06038	7544 Jaco	1	32	08027	Drain Water connector	1
19	06001	1042 Jaco	2	33	08001	Tank ball valve 90 degree 1/4"NPT	1
20	06041	Fitting nut	7	34	13001	Color Tubing (White, Black, Blue, Red)	1

**ERO SERIES
KIT
5 STAGE RO**

**Booster
Pump**
Low Pressure

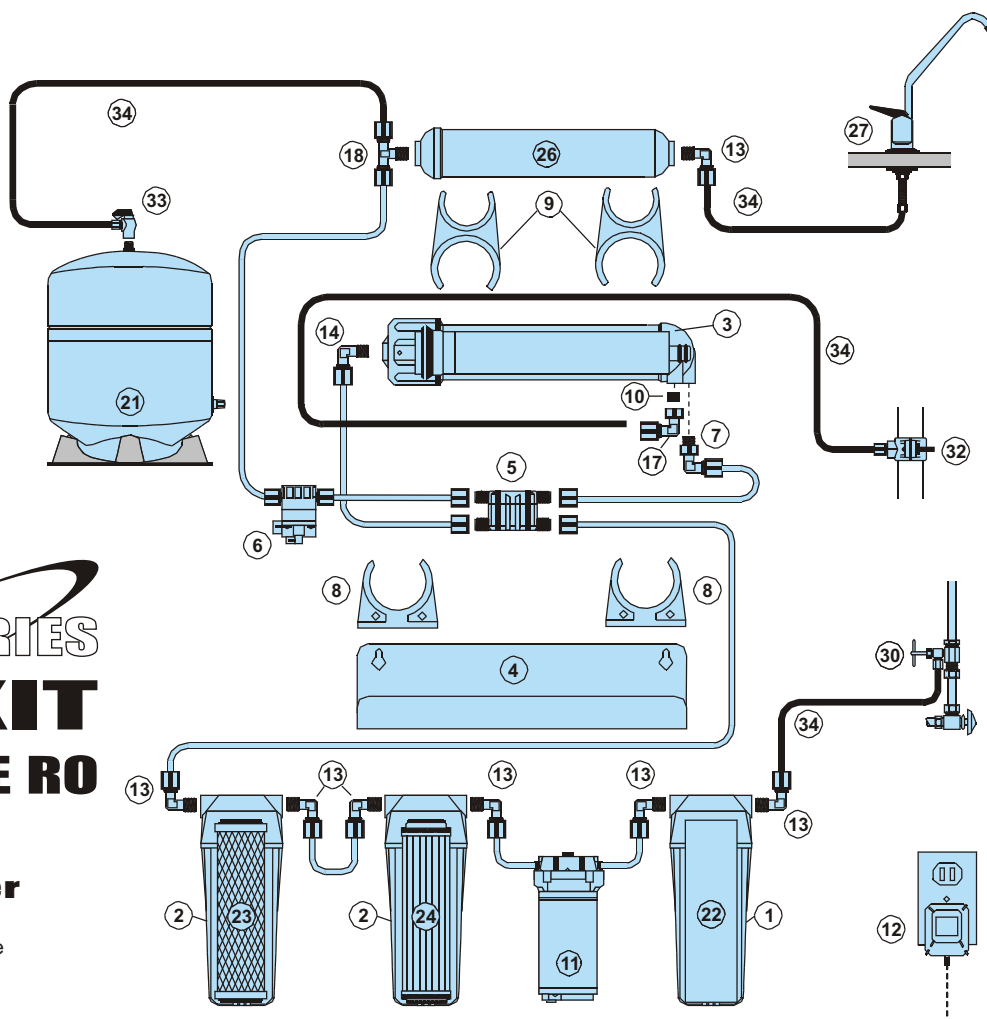


EC105P KIT (5 STAGE RO / BOOSTER PUMP)

NO.	PART#	DESCRIPTION	QTY.	NO.	PART#	DESCRIPTION	QTY.
1	11011	10" housing 1/4"NPT Clear	1	18	06038	7544 Jaco	1
2	11012	10" housing 1/4"NPT White / Opaque	2	19	06001	1042 Jaco	1
3	11031	Membrane Housing White 1812	1	20	06041	Fitting nut	16
4	12001	Housing Bracket White	1	21	02001	Water storage tank 3.2G Steel Made	1
5	08015	Auto Shut-Off Valve	1	22	03001	5 micron 10" spun sediment filter	1
6	08009	Tank Shut-of Switch	1	23	04010	Block carbon filter	1
7	08017	Check Valve, Stainless Steel	1	24	04008	10" activated carbon filter	1
8	08006	Single Clip	2	25	05004	TFC type membrane 50GPD Made in USA	1
9	08007	Double Clip	2	26	04007	Post Carbon Filter	1
10	08023	Mini Flow Restrictor	1	27	108	Brass Type Faucet	1
11	10011	Booster Pump	1	28	08037	1/2" Feed Water Connector (optional)	0
12	10003	Pump Transformer	1	29	08040	1/4" deliver valve (optional)	0
13	06021	4044 Jaco	7	30	08039	Needle Valve	1
14	06020	4042 Jaco	2	31	08032	Housing Wrench , Full Circle	1
15	06002	1044 Jaco	2	32	08027	Drain Water connector	1
16	06022	4046 Jaco	2	33	08001	Tank ball valve 90 degree 1/4"NPT	1
17	06027	4542 Jaco	1	34	13001	Color Tubing (White, Black, Blue, Red)	1

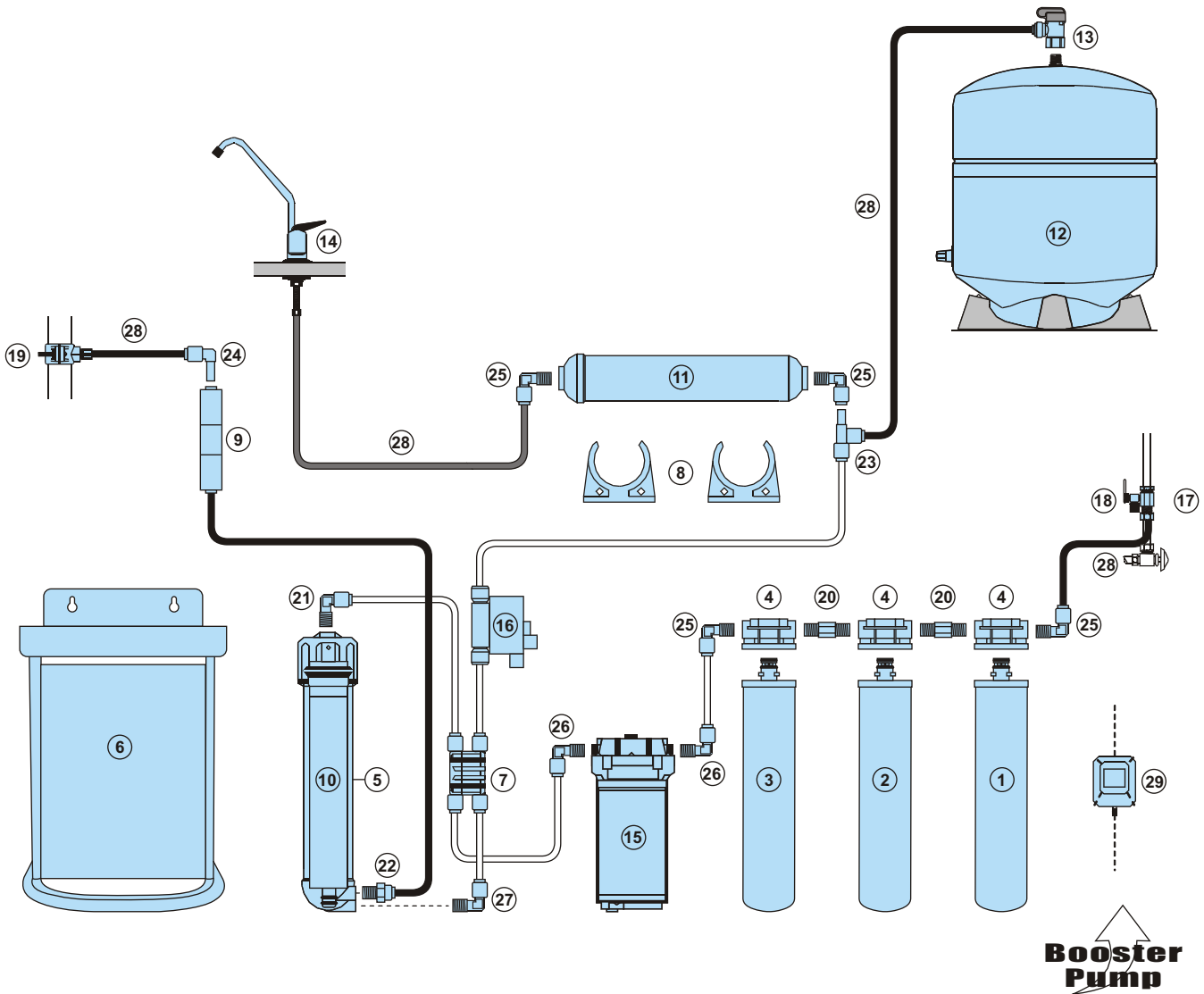
**ERO SERIES
KIT
5 STAGE RO**

**Booster
Pump**
Low Pressure



EC105P KIT (5 STAGE RO / BOOSTER PUMP)

NO.	PART#	DESCRIPTION	QTY.	NO.	PART#	DESCRIPTION	QTY.
1	11011	10" housing 1/4"NPT Clear	1	18	06038	7544 Jaco	1
2	11012	10" housing 1/4"NPT White / Opaque	2	19	06001	1042 Jaco	1
3	11031	Membrane Housing White 1812	1	20	06041	Fitting nut	16
4	12001	Housing Bracket White	1	21	02001	Water storage tank 3.2G Steel Made	1
5	08015	Auto Shut-Off Valve	1	22	03001	5 micron 10" spun sediment filter	1
6	08009	Tank Shut-of Switch	1	23	04010	Block carbon filter	1
7	08017	Check Valve, Stainless Steel	1	24	04008	10" activated carbon filter	1
8	08006	Single Clip	2	25	05004	TFC type membrane 50GPD Made in USA	1
9	08007	Double Clip	2	26	04007	Post Carbon Filter	1
10	08023	Mini Flow Restrictor	1	27	108	Brass Type Faucet	1
11	10011	Booster Pump	1	28	08037	1/2" Feed Water Connector (optional)	0
12	10003	Pump Transformer	1	29	08040	1/4" deliver valve (optional)	0
13	06021	4044 Jaco	7	30	08039	Needle Valve	1
14	06020	4042 Jaco	2	31	08032	Housing Wrench , Full Circle	1
15	06002	1044 Jaco	2	32	08027	Drain Water connector	1
16	06022	4046 Jaco	2	33	08001	Tank ball valve 90 degree 1/4"NPT	1
17	06027	4542 Jaco	1	34	13001	Color Tubing (White, Black, Blue, Red)	1



EZ-105P KIT (5 STAGE RO / BOOSTER PUMP)

NO.	PART#	DESCRIPTION	QTY.	NO.	PART#	DESCRIPTION	QTY.
1	RS300ST	5 micron sediment filter (1 Stage)	1	16	08009-1	Tank shut-of switch for quick fittings	1
2	RS300ND	Granular activated carbon (2 Stage)	1	17	08037	1/2" Feed water connector	1
3	RS300RD	Granular activated carbon (3 Stage)	1	18	08040	1/4" deliver valve	1
4	RS-CAP	RS CAP	3	19	08027	Drain water connector	1
5	11031	Membrane housing white 1812	1	20	06044	Jaco fitting nipple 1/4"	2
6	12018	Bracket for EZ	1	21	ME0402	Quick fitting ME0402	1
7	08016	Auto shut-off valve for quick fittings	1	22	MC0402	Quick fitting MC0402	1
8	08006	Single clip	2	23	SRT0404	Quick fitting SRT0404	1
9	08022	Flow restrictor (Quick fitting connector)	1	24	SE0404	Quick fitting SE0404	1
10	05001	TFC membrane 50GPD	1	25	ME0404	Quick fitting ME0404	4
11	04007	Post carbon filter	1	26	ME0406	Quick fitting ME0406	2
12	02001	Water storage tank 3.2G steel made	1	27	08017-2	Quick fitting check valve	1
13	08001-5	Elbow quick connector	1	28	13001	Color Tubing (White, Black, Blue, Red)	1
14	108	Brass type faucet	1	29	10003	Pump transformer	1
15	10011	Booster pump	1				

FILTER CARTRIDGE

:: SEDIMENT FILTER

Polypropylene Fiber Type Cartridges - remove: sand, rust & suspension solids



Part Number	Dimensions	Filtration	Capacity	Max. Working Temperature	Longevity*		Pressure Drop
	inch	µm	l / min	°C	liters	month	bar
03001	9 7/8 x 2 1/2	5	20	2 - 45(35.6°F - 113°F)	12000 (3170.1 gallons)	3 - 6	0.2 - 0.4
03002	9 7/8 x 2 1/2	1	20	2 - 45(35.6°F - 113°F)	12000 (3170.1 gallons)	3 - 6	0.2 - 0.4
03003	9 7/8 x 2 1/2	5	40	2 - 45(35.6°F - 113°F)	24000 (6340.1 gallons)	3 - 6	0.3 - 0.5
03004	20 x 2 1/2	5	30	2 - 45(35.6°F - 113°F)	16000 (4226.8 gallons)	3 - 6	0.2 - 0.4
03005	20 x 2 1/2	20	30	2 - 45(35.6°F - 113°F)	16000 (4226.8 gallons)	3 - 6	0.2 - 0.4
03006	20 x 4 1/2	5	60	2 - 45(35.6°F - 113°F)	24000 (6340.1 gallons)	3 - 6	0.3 - 0.5
03007	4 7/8 x 2 1/2	5	10	2 - 45(35.6°F - 113°F)	8000 (2113.4 gallons)	3 - 6	0.1 - 0.3
03008	30 x 2 1/2	5	60	2 - 45(35.6°F - 113°F)	36000 (9510.2 gallons)	3 - 6	0.2 - 0.4

Polypropylene String Type Cartridges - remove: sand, rust & suspension solids



Part Number	Dimensions	Filtration	Capacity	Max. Working Temperature	Longevity*		Pressure Drop
	inch	µm	l / min	°C	liters	month	bar
03023	9 7/8 x 2 1/2	1	20	2 - 45(35.6°F - 113°F)	12000 (3170.1 gallons)	3 - 6	0.2 - 0.4
03024	9 7/8 x 2 1/2	5	20	2 - 45(35.6°F - 113°F)	12000 (3170.1 gallons)	3 - 7	0.2 - 0.4
03025	9 7/8 x 2 1/2	10	20	2 - 45(35.6°F - 113°F)	12000 (3170.1 gallons)	3 - 8	0.2 - 0.4
03026	9 7/8 x 2 1/2	20	20	2 - 45(35.6°F - 113°F)	12000 (3170.1 gallons)	3 - 9	0.2 - 0.4
03027	9 7/8 x 2 1/2	50	20	2 - 45(35.6°F - 113°F)	12000 (3170.1 gallons)	3 - 10	0.2 - 0.4
03028	9 7/8 x 2 1/2	100	20	2 - 45(35.6°F - 113°F)	12000 (3170.1 gallons)	3 - 11	0.2 - 0.4
03029	9 7/8 x 4 1/2	5	60	2 - 45(35.6°F - 113°F)	18000 (4755.1 gallons)	3 - 12	0.3 - 0.5
03030	9 7/8 x 4 1/2	20	60	2 - 45(35.6°F - 113°F)	18000 (4755.1 gallons)	3 - 13	0.3 - 0.5
03031	20 x 4 1/2	5	60	2 - 45(35.6°F - 113°F)	24000 (6340.1 gallons)	3 - 14	0.3 - 0.5
03032	20 x 4 1/2	20	60	2 - 45(35.6°F - 113°F)	24000 (6340.1 gallons)	3 - 15	0.3 - 0.5

Reusable Polyester Type Cartridges - remove: sand, rust & suspension solids



Part Number	Dimensions	Filtration	Capacity	Max. Working Temperature	Longevity*		Pressure Drop
	inch	µm	l / min	°C	liters	month	bar
03033	9 7/8 x 2 1/2	10	20	2 - 45(35.6°F - 113°F)	10000 (2641.7 gallons)	3 - 6	0.2 - 0.4
03034	9 7/8 x 2 1/2	20	20	2 - 45(35.6°F - 113°F)	10000 (2641.7 gallons)	3 - 7	0.2 - 0.4
03035	20 x 2 1/2	5	20	2 - 45(35.6°F - 113°F)	12000 (3170.1 gallons)	3 - 8	0.2 - 0.4
03036	20 x 2 1/2	20	20	2 - 45(35.6°F - 113°F)	12000 (3170.1 gallons)	3 - 9	0.2 - 0.4
03037	9 7/8 x 4 1/2	5	30	2 - 45(35.6°F - 113°F)	14000 (3698.4 gallons)	3 - 10	0.2 - 0.4
03038	9 7/8 x 4 1/2	20	30	2 - 45(35.6°F - 113°F)	14000 (3698.4 gallons)	3 - 11	0.2 - 0.4
03039	9 7/8 x 4 1/2	30	30	2 - 45(35.6°F - 113°F)	14000 (3698.4 gallons)	3 - 12	0.2 - 0.4
03040	20 x 4 1/2	5	60	2 - 45(35.6°F - 113°F)	20000 (5283.4 gallons)	3 - 13	0.2 - 0.4
03041	20 x 4 1/2	20	60	2 - 45(35.6°F - 113°F)	20000 (5283.4 gallons)	3 - 14	0.2 - 0.4

※ Cartridge longevity and performance depend on water usage and level of contamination.

FILTER CARTRIDGE

:: UDF - GRANULAR ACTIVATED CARBON

Activated Carbon with UDF Type Cartridges - remove: bacteria, viruses, hydrogen sulphide, chlorine, lead, arsenic, cadmium, as well as lower iron concentration in water



Part Number	Dimensions	Capacity l / min	Max. Working Temperature °C	Longevity*		Pressure Drop bar
	inch			liters	month	
04007	UDF-5 5" x 2.5"	6	2 - 45 (35.6°F - 113°F)	3600 (951 gallons)	3 - 6	0.2 - 0.4
04008	UDF-10 10" x 2.5"	6	2 - 45 (35.6°F - 113°F)	7200 (1902 gallons)	3 - 6	0.3 - 0.5
04008-B	UDF-10 10" x 4.5"	12	2 - 45 (35.6°F - 113°F)	14600 (3856.9 gallons)	3 - 6	0.3 - 0.5
04009	UDF-20 20" x 2.5"	12	2 - 45 (35.6°F - 113°F)	10800 (2853.1 gallons)	3 - 6	0.3 - 0.5
04009-B	UDF-20 20" x 4.5"	18	2 - 45 (35.6°F - 113°F)	21600 (5706.1 gallons)	3 - 6	0.3 - 0.5

:: CARBON BLOCK FILTER

Carbon Block Type Cartridges - remove: organic compounds, chlorine, improve taste and aroma of water



Part Number	Dimensions	Capacity l / min	Max. Working Temperature °C	Longevity*		Pressure Drop bar
	inch			liters	month	
04010	CTO-10 10" x 2.5"	6	2 - 45 (35.6°F - 113°F)	8000 (2113.4 gallons)	3 - 6	0.2 - 0.4
04011	CTO-20 20" x 2.5"	12	2 - 45 (35.6°F - 113°F)	12000 (3170.1 gallons)	3 - 6	0.2 - 0.4
04012	CTO-10 10" x 4.5"	20	2 - 45 (35.6°F - 113°F)	16000 (4226.8 gallons)	3 - 6	0.2 - 0.3
04013	CTO-20 20" x 4.5"	30	2 - 45 (35.6°F - 113°F)	24000 (6340.1 gallons)	3 - 6	0.2 - 0.3

:: REFILLABLE CARTRIDGE FILTER

Dissolved Iron Removal Type Cartridges - eliminate: metallic taste & aroma of water



Part Number	Dimensions	Capacity l / min	Max. Working Temperature °C	Longevity*		Pressure Drop bar
	inch			liters	month	
04014	10" x 2.5" (Empty)	-	-	-	-	-
04015	10" x 4.5" (Empty)	-	-	-	-	-
04016	20" x 2.5" (Carbon inside)	5	2 - 45 (35.6°F - 113°F)	3000 (792.6 gallons)	3 - 6	0.2 - 0.4
04019	10" x 4.5" (Carbon inside)	12	2 - 45 (35.6°F - 113°F)	4000 (1056.7 gallons)	3 - 6	0.3 - 0.5
04020	20" x 4.5" (Carbon inside)	18	2 - 45 (35.6°F - 113°F)	8000 (2113.4 gallons)	3 - 6	0.3 - 0.5

※ Cartridge longevity and performance depend on water usage and level of contamination.

FILTER CARTRIDGE

:: IN-LINE FILTER

PF5 5 Micron Sediment Filter



Part Number	Dimensions	Female Type Thread	Capacity	Max. Working Temperature	Longevity*
	mm	inch	l / h	°C	liters
04027	254 x 52	1/4	283 / 24	2 - 45(35.6°F - 113°F)	5813 (1500 gallons)

Granular Activated Carbon Filter



Part Number	Dimensions	Female Type Thread	Capacity	Max. Working Temperature	Longevity*
	mm	inch	l / h	°C	liters
04028	254 x 52	1/4	283 / 24	2 - 45(35.6°F - 113°F)	5678 (1500 gallons)
04029	254 x 52	1/4	283 / 24	2 - 45(35.6°F - 113°F)	5678 (1500 gallons)

Post Carbon Filter



Part Number	Dimensions	Female Type Thread	Capacity	Max. Working Temperature	Longevity*
	mm	inch	l / h	°C	liters
04007	254 x 52	1/4	283 / 24	2 - 45(35.6°F - 113°F)	5678 (1500 gallons)

Far-Infrared Filter



Part Number	Dimensions	Female Type Thread	Capacity	Max. Working Temperature	Longevity*
	mm	inch	l / h	°C	liters
04031	254 x 52	1/4	250 / 24	2 - 45(35.6°F - 113°F)	5678 (1500 gallons)

Mineral Filter



Part Number	Dimensions	Female Type Thread	Capacity	Max. Working Temperature	Longevity*
	mm	inch	l / h	°C	liters
04032	254 x 52	1/4	283 / 24	2 - 45(35.6°F - 113°F)	5678 (1500 gallons)

Alkaline (PH) Filter



Part Number	Dimensions	Female Type Thread	Capacity	Max. Working Temperature	Longevity*
	mm	inch	l / h	°C	liters
04033	254 x 52	1/4	250 / 24	2 - 45(35.6°F - 113°F)	2839 (750 gallons)

Alkaline (PH) Plus Filter



Part Number	Dimensions	Female Type Thread	Capacity	Max. Working Temperature	Longevity*
	mm	inch	l / h	°C	liters
04034	254 x 52	1/4	250 / 24	2 - 45(35.6°F - 113°F)	2839 (750 gallons)

Deionization (DI) Filter



Part Number	Dimensions	Female Type Thread	Capacity	Max. Working Temperature	Longevity*
	mm	inch	l / h	°C	liters
03300	285 x 60	1/4	200 / 24	2 - 45(35.6°F - 113°F)	1893 (500 gallons)

※ Cartridge longevity and performance depend on water usage and level of contamination.

FILTER CARTRIDGE

:: IN-LINE FILTER

X6 5 Micron Sediment Filter



Part Number	Dimensions	Female Type Thread	Capacity	Max. Working Temperature	Longevity*
	mm	inch	l / h	°C	liters
04049	254 x 52	1/4	283 / 24	2 - 45(35.6°F - 113°F)	5813 (1500 gallons)

X6 Granular Activated Carbon Filter



Part Number	Dimensions	Female Type Thread	Capacity	Max. Working Temperature	Longevity*
	mm	inch	l / h	°C	liters
04050	254 x 52	1/4	283 / 24	2 - 45(35.6°F - 113°F)	5678 (1500 gallons)

KF5633 Sediment Filter



Part Number	Dimensions	Female Type Thread	Capacity	Max. Working Temperature	Longevity*
	mm	inch	l / h	°C	liters
04004(1M)	280 x 65	1/4	283 / 24	2 - 45(35.6°F - 113°F)	5678 (1500 gallons)
04005(5M)	280 x 65	1/4	283 / 24	2 - 45(35.6°F - 113°F)	5678 (1500 gallons)

KF5633 Granular Activated Carbon Filter



Part Number	Dimensions	Female Type Thread	Capacity	Max. Working Temperature	Longevity*
	mm	inch	l / h	°C	liters
04006	280 x 65	1/4	283 / 24	2 - 45(35.6°F - 113°F)	5678 (1500 gallons)

KF5633 CTO Carbon Filter



Part Number	Dimensions	Female Type Thread	Capacity	Max. Working Temperature	Longevity*
	mm	inch	l / h	°C	liters
04003	280 x 65	1/4	283 / 24	2 - 45(35.6°F - 113°F)	5678 (1500 gallons)

K5633-JJ Sediment Filter



Part Number	Dimensions	Female Type Thread	Capacity	Max. Working Temperature	Longevity*
	mm	inch	l / h	°C	liters
04051	280 x 65	1/4	283 / 24	2 - 45(35.6°F - 113°F)	5678 (1500 gallons)

K5633-JJ Granular Activated Carbon Filter



Part Number	Dimensions	Female Type Thread	Capacity	Max. Working Temperature	Longevity*
	mm	inch	l / h	°C	liters
04052	280 x 65	1/4	283 / 24	2 - 45(35.6°F - 113°F)	5678 (1500 gallons)

K2586-JJ Post Carbon Filter



Part Number	Dimensions	Female Type Thread	Capacity	Max. Working Temperature	Longevity*
	mm	inch	l / h	°C	liters
04053	254 x 52	1/4	283 / 24	2 - 45(35.6°F - 113°F)	5678 (1500 gallons)

FILTER CARTRIDGE

:: QUICK-CHANGE FILTER

S300 Series Filter



Part Number	Dimensions	Female Type Thread	Capacity	Max. Working Temperature	Longevity*
	mm	inch	l / h	°C	liters
04039(S300ST)	310 x 68	1/4	283 / 24	2 - 45(35.6°F - 113°F)	5813 (1500 gallons)
04040(S300ND)	310 x 68	1/4	283 / 24	2 - 45(35.6°F - 113°F)	5813 (1500 gallons)
04041(S300RD)	310 x 68	1/4	283 / 24	2 - 45(35.6°F - 113°F)	5813 (1500 gallons)

RS300 Series Filter



Part Number	Dimensions	Female Type Thread	Capacity	Max. Working Temperature	Longevity*
	mm	inch	l / h	°C	liters
04043(RS300ST)	296 x 65	1/4	283 / 24	2 - 45(35.6°F - 113°F)	5813 (1500 gallons)
04044(RS300ND)	296 x 65	1/4	283 / 24	2 - 45(35.6°F - 113°F)	5813 (1500 gallons)
04045(RS300RD)	296 x 65	1/4	283 / 24	2 - 45(35.6°F - 113°F)	5813 (1500 gallons)
04046(RS300PH)	296 x 65	1/4	283 / 24	2 - 45(35.6°F - 113°F)	5813 (1500 gallons)

CW698P Sediment Filter



Part Number	Dimensions	Female Type Thread	Capacity	Max. Working Temperature	Longevity*
	mm	inch	l / h	°C	liters
04037	310 x 68	1/4	283 / 24	2 - 45(35.6°F - 113°F)	5813 (1500 gallons)

CW698P Carbon Filter



Part Number	Dimensions	Female Type Thread	Capacity	Max. Working Temperature	Longevity*
	mm	inch	l / h	°C	liters
04038	310 x 68	1/4	283 / 24	2 - 45(35.6°F - 113°F)	5813 (1500 gallons)

PUREPRO

Your Complete Filter Cartridges Provider !

PurePro Offers a complete line of best-in-class water treatment components, including membrane elements, membrane housings, filter cartridges, filter housings, pressure gauges, flow meters and more.



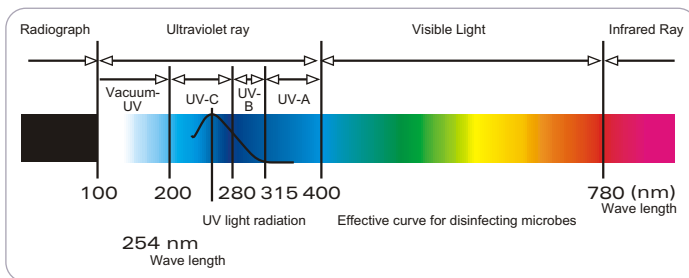
PUREPRO ULTRAVIOLET WATER STERILIZER

The knack of 1gpm PUREPRO UV system lies in applying the 254nm ultraviolet rays (UV-C) to cause immediate death for organisms or wipe out their ability to survive and reproduce.

How does the UV work for destroying the bacteria, virus and other micro-organisms

We all know sun light can be used in sterilizing, actually what functioned is Ultraviolet ray only. Ultraviolet was found about 200 years ago and through years of survey and experiment, science has proved it's effect in killing the virus and bacteria. ultraviolet is divided by A, B, C waves and 240~260nm out of C wave is the most effective ray with sterilizing ability and the strongest point is 253.7nm. The light wave is able to kill the DNA of virus and bacteria and make it unable to reproduce.

Electromagnetic wave drawing



Features of Ultraviolet Water Sterilizer :

1. Use high quality hard quartz material lamp and sleeve to keep high output of 253.7nm.
2. Quick and simple installation.
3. Long service life save your money.
4. Visual LED display indicator failure.
5. Polished stainless steel reactor chamber strengthen the UV reflection.
6. The most natural way to protect your water safely.
7. Easy lamp replacement and maintenance.
8. Wide application used in many water treatment areas.
9. Without adding any chemical complexes nor change the taste of odor of the water and does not remove any beneficial minerals in water.
10. Able to kill 99.9% destruction of bacteria and virus under standard water quality and flow.
11. Destroy bacteria and inactive various viruses.



Specification

Part Number	Flow Rate	Inlet / Outlet	Power	Electronic Ballast	Alarm	UV Lamp	Lamp Watts	Quartz Sleeve	Dimension(mm)
141501	1 GPM	1/4" NPT	120 V, 240 V(50 / 60 Hz)	6W	No	254 nm	6W	Yes	320(L) x 50.5(Dia.)
141502	2 GPM	1/4" NPT	120 V, 240 V(50 / 60 Hz)	16W	No	254 nm	16W	Yes	340(L) x 64(Dia.)
141503	6 GPM	1/2" NPT	120 V, 240 V(50 / 60 Hz)	32W	Yes	254 nm	32W	Yes	680(L) x 64(Dia.)
141504	12 GPM	3/4" NPT	120 V, 240 V(50 / 60 Hz)	40W	Yes	254 nm	40W	Yes	900(L) x 64(Dia.)
141505	24 GPM	1" NPT	120 V, 240 V(50 / 60 Hz)	40Wx2	Yes	254 nm	40W	Yes	900(L) x 100(Dia.)
141506	48 GPM	1 1/2" NPT	120 V, 240 V(50 / 60 Hz)	40Wx4	Yes	254 nm	40W	Yes	900(L) x 250(Dia.)

RO COMPONENTS

:: FITTING CONNECTOR

JACO Fitting



Part Number	06001 / JACO-1042
Description	Male Connector 1/4" x 1/8"
Part Number	06002 / JACO-1044
Description	Male Connector 1/4" x 1/4"
Part Number	06003 / JACO-1046
Description	Male Connector 1/4" x 3/8"
Part Number	06005 / JACO-1064
Description	Male Connector 3/8" x 1/4"
Part Number	06006 / JACO-1066
Description	Male Connector 3/8" x 3/8"

JACO Fitting



Part Number	06030 / JACO-6042
Description	Male Branch Tee 1/4" x 1/8"
Part Number	06031 / JACO-6044
Description	Male Branch Tee 1/4" x 1/4"
Part Number	06032 / JACO-6046
Description	Male Branch Tee 1/4" x 3/8"
Part Number	06033 / JACO-6066
Description	Male Branch Tee 3/8" x 3/8"

JACO Fitting



Part Number	06010 / JACO-1544
Description	Union & Reducing Union 1/4"
Part Number	06011 / JACO-1564
Description	Union & Reducing Union 1/4"
Part Number	06012 / JACO-1566
Description	Union & Reducing Union 3/8"

JACO Fitting



Part Number	06036 / JACO-7044
Description	Union Tee 1/4"
Part Number	06037 / JACO-7066
Description	Union Tee 3/8"

JACO Fitting



Part Number	06020 / JACO-4042
Description	Male Elbow 1/4" x 1/8"
Part Number	06021 / JACO-4044
Description	Male Elbow 1/4" x 1/4"
Part Number	06022 / JACO-4046
Description	Male Elbow 1/4" x 3/8"
Part Number	06023 / JACO-4064
Description	Male Elbow 3/8" x 1/4"
Part Number	06024 / JACO-4066
Description	Male Elbow 3/8" x 3/8"
Part Number	06027 / JACO-4542
Description	Female Elbow 1/4" x 1/8"

JACO Fitting



Part Number	06038 / JACO-7544
Description	Male Run Tee 1/4" x 1/4"
Part Number	06039 / JACO-7566
Description	Male Run Tee 3/8" x 3/8"
Part Number	06040 / JACO-7644
Description	Male Run Tee 1/4" x 3/8"

JACO Fitting Nut



Part Number	06041
Description	Fitting 1/4"
Part Number	06042
Description	Fitting 3/8"

JACO Fitting Nippon



Part Number	06044
Description	Nipple 1/4"
Part Number	06045
Description	Nipple 3/8"
Part Number	06046
Description	Nipple 1/2"
Part Number	06047
Description	Nipple 3/4"

Check Valve



08017

08017-1

08017-1-Q

Part Number	08017 (For Pump-Type)
Description	Stainless Steel
Part Number	08017-1
Description	Stainless Steel
Part Number	08017-1-Q (Quick Fitting)
Description	Stainless Steel

RO COMPONENTS

:: FITTING CONNECTOR

JACO Fitting



Part Number	06050 / 4046-Q
Description	Male Elbow 1/4" x 3/8"

JACO Fitting



Part Number	06051 / 4044-Q
Description	Male Elbow 1/4" x 1/4"

JACO Fitting



Part Number	06052 / 1044-Q
Description	Male Connector 1/4" x 1/4"

JACO Fitting



Part Number	06053 / 7544-Q
Description	Male Run Tee 1/4" x 1/4"

JACO Fitting



Part Number	06054 / 6044-Q
Description	Male Branch Tee 1/4" x 1/4"

Quick Fitting Male Connector



Part Number	06101 / MC0402
Description	1/4" Tube x 1/8" NPT Thread
Part Number	06102 / MC0404
Description	1/4" Tube x 1/4" NPT Thread
Part Number	06103 / MC0406
Description	1/4" Tube x 3/8" NPT Thread
Part Number	06104 / MC0604
Description	3/8" Tube x 1/4" NPT Thread
Part Number	06105 / MC0606
Description	3/8" Tube x 3/8" NPT Thread
Part Number	06106 / MC0607
Description	3/8" Tube x 1/2" NPT Thread

Quick Fitting Union Connector



Part Number	06120 / UC0404
Description	1/4" Tube x 1/4" Tube
Part Number	06121 / UC0604
Description	3/8" Tube x 1/4" Tub
Part Number	06122 / UC0606
Description	3/8" Tube x 3/8" Tub

Quick Fitting Femal



Part Number	06131 / FA04-716
Description	1/4" Tube x 7/16" Femal .17.5mm
Part Number	06132 / FA06-716
Description	3/8" Tube x 7/16" Femal .17.5mm
Part Number	06130 / FA0404
Description	1/4" Tube x 1/4" Femal . 20.5mm

Quick Fitting Male Elbow



Part Number	06140 / ME0402
Description	1/4" Tube x 1/8" NPT Thread
Part Number	06141 / ME0404
Description	1/4" Tube x 1/4" NPT Thread
Part Number	06142 / ME0406
Description	1/4" Tube x 3/8" NPT Thread
Part Number	06143 / ME0604
Description	3/8" Tube x 1/4" NPT Thread
Part Number	06144 / ME0606
Description	3/8" Tube x 3/8" NPT Thread

RO COMPONENTS

Quick Fitting



Part Number	06110 / BU0404
Description	Male Connector 1/4" x 1/4"
Part Number	BU0406
Description	Male Connector 1/4" x 3/8"
Part Number	06111 / BU0606
Description	Male Connector 3/8" x 3/8"

Quick Fitting



Part Number	06151 / SE0404
Description	Male Connector 1/4" x 1/4"
Part Number	06152 / SE0406
Description	Male Connector 1/4" x 3/8"
Part Number	06153 / SE0606
Description	Male Connector 3/8" x 3/8"

Quick Fitting Union Elbow



Part Number	06161 / UE0404
Description	1/4" Tube x 1/4" Tube
Part Number	06162 / UE0604
Description	3/8" Tube x 1/4" Tub
Part Number	06163 / UE0606
Description	3/8" Tube x 3/8" Tub

Quick Fitting



Part Number	06221 / SA0404
Description	Male Connector 1/4" x 1/4"
Part Number	06222 / SA0606
Description	Male Connector 3/8" x 3/8"

Quick Fitting Union



Part Number	06171 / UT0404
Description	1/4" Tube x 1/4" Tube x 1/4" Tube
Part Number	06172 / UT0604
Description	1/4" Tube x 1/4" Tube x 3/8" Tube
Part Number	06173 / UT0606
Description	3/8" Tube x 3/8" Tube x 3/8" Tube

Quick Fitting



Part Number	06250 / LC0004
Description	1/4" (Red / Black / White)
Part Number	06251 / LC0006
Description	3/8" (Red / Black / White)

Quick Fitting Connector



Part Number	06181 / TWD0404
Description	1/4" In x 1/4" Out x 1/4" Out
Part Number	06182 / TWD0604
Description	1/4" In x 1/4" Out x 3/8" Out
Part Number	06183 / TWD0606
Description	3/8" In x 3/8" Out x 3/8" Out

Quick Fitting



Part Number	06252 / AP0004G
Description	1/4" (Red / Black / White)
Part Number	06253 / AP0006G
Description	3/8" (Red / Black / White)

Quick Fitting Male Run Tee



Part Number	06191 / MRT0404
Description	1/4" Tube x 1/4" NPT Thread x 1/4" Tube
Part Number	06192 / MRT7644
Description	3/8" Tube x 3/8" NPT Thread x 3/8" Tube

Quick Fitting Male Branch Tee



Part Number	06201 / MBT0404
Description	1/4" Tube x 1/4" Tube x 1/4" NPT Thread
Part Number	06202 / MBT0606
Description	3/8" Tube x 3/8" Tube x 3/8" NPT Thread

RO COMPONENTS

:: BALL VALVE, TANK VALVE

Tank Ball Valve Elbow



Part Number	08001
Description	1/4" x 1/4" Elbow JACO Connector

Tank Ball Valve Elbow



Part Number	08002
Description	1/4" x 1/4" Elbow JACO Connector

Ball Valve - Union Quick Connector



Part Number	08001-4
Description	1/4" x 1/4" Quick Connector
Part Number	08001-4-1
Description	3/8" x 3/8" Quick Connector

Ball Valve - Elbow Quick Connector



Part Number	08001-5
Description	1/4" x 1/4" Elbow Quick Connector
Part Number	08001-6
Description	1/4" x 3/8" Elbow Quick Connector

Ball Valve - Femal Connector



Part Number	08003
Description	1/4" x 1/4" Straight Female Connector

Ball Valve



Part Number	08004
Description	1/4" x 1/4" Straight Connector

:: MOUNTING CLIP

Single Clip



Part Number	08005
Description	2" Inline Filter Clip (Small)

Single Clip



Part Number	08006
Description	2 1/2" Membrane Clip (Big)

Double Clip



Part Number	08007
Description	2 1/2" x 2" (Membrane / Inline Filter)

Double Clip



Part Number	08008
Description	2 1/2" x 2 1/2" Double Clips (Big)
Part Number	08008-1
Description	2" X 2" Double Clip (Small)

Drain Water Connector



Part Number	08027
Description	1/4" Elbow JACO Connector

Drain Water Connector



Part Number	08027-Q
Description	1/4" Elbow Quick Connector
Part Number	08027-Q3
Description	3/8" Elbow Quick Connector

Drain Water Connector



Part Number	08028
-------------	-------

RO COMPONENTS

:: HOUSING WRENCH

Housing Wrench Full Circle 10", 20"



Part Number	08032
Description	10"
Part Number	08033
Description	20"

Housing Wrench Double Side



Part Number	08032-A
-------------	---------

Housing Wrench For Big Blue 10", 20"



Part Number	08034
-------------	-------

:: PRESSURE SWITCH

High Pressure Switch



Part Number	08009
Description	Tank Shut-Off Switch
Part Number	08009-Q
Description	Tank Shut-Off Switch (Quick Fitting)

Low Pressure Switch



Part Number	08010
Description	Low Pressure Switch
Part Number	08010-Q
Description	Low Pressure Switch (Quick Fitting)

:: AUTO SHUT-OFF VALVE

Auto Shut-Off Valve (JACO)



Part Number	08015
Description	4 x 1/4" Tube

Auto Shut-Off Valve (Quick Fitting Connector)



Part Number	08016
Description	4 x 1/4" Tube
Part Number	08016-1
Description	4 x 3/8" Tube

:: FLOW RESTRICTOR

Flow Restrictor (JACO Type)



Part Number	08021
Description	Flow Restrictor 300ML

Flow Restrictor (Quick Fitting Connector)



Part Number	08022
Description	Flow Restrictor 300ML

Mini Flow Restrictor (EC-Series)



Part Number	08023
Description	Flow Restrictor 300ML

Flow Restrictor (With Manual Flushing Valve)



Part Number	08024
-------------	-------

:: CHECK VALVE

Check Valve



Part Number	08017-A
Description	1/4"
Part Number	08018
Description	3/8"
Part Number	08019 / 08020
Description	1/4" / 3/8"

RO COMPONENTS

:: SOLENOID VALVE

Solenoid Valve (Round Type)



Part Number	08057
Description	Solenoid Valve 1/4"

Solenoid Valve (Square Type)



Part Number	08058
Description	Solenoid Valve 1/4"
Part Number	08058-1
Description	Solenoid Valve 3/8"
Part Number	08059
Description	Solenoid Valve 1/2"

Solenoid Valve (Square Type)



Part Number	08060
Description	Solenoid Valve 1/2"

:: SELF PIERCING VALVE

Self Piercing Valve



Part Number	08039
Description	Self Piercing Valve 1/4"

Self Piercing Valve



Part Number	08039-1
Description	Self Piercing Valve 1/4"

:: FEED WATER CONNECTOR

Feed Water Connector



Part Number	08035
Description	Feed Water Connector 1/2"

Feed Water Connector



Part Number	08036
Description	Feed Water Connector 3/8"

Feed Water Connector



Part Number	08037
Description	Feed Water Connector 1/2"
Part Number	08037-1
Description	Feed Water Connector 3/8"

Feed Water Connector



Part Number	08038
Description	Feed Water Connector 3/4"

1/2" Feed Water Connector



Part Number	08052
Description	Garden Hose Adapter 1/4" Tube

1/2" Feed Water Connector



Part Number	08053
Description	Garden Hose Adapter 3/8" Tube

RO COMPONENTS

Feed Water Connector Kit



Part Number 08042

Feed Water Connector Kit



Part Number 08043

Feed Water Connector Kit



Part Number 08044

Feed Water Connector Kit



Part Number 08045

Feed Water Connector Kit



Part Number 08046

Feed Water Connector Kit



Part Number 08047

Countertop Parts Drinking Faucet



Part Number 08048

:: DELIVER VALVE

Deliver Valve



Part Number	08040
Description	Deliver Valve 1/4" Tube
Part Number	08041
Description	Deliver Valve 3/8" Tube

Deliver Valve



Part Number	08040-Q
Description	Deliver Valve 1/4" Tube (Quick Fitting)

Deliver Valve



Part Number	08082
Description	Deliver Valve 1/4" Tube
Part Number	08083
Description	Deliver Valve 3/8" Tube

:: MICRO COMPUTER CONTROLLER

103 Box Micro Processor



Part Number	08054
※ Available in 110~120V or 220~240V	

103TDS Box Micro Processor



Part Number	08055
※ Available in 110~120V or 220~240V	

RO1500~RO6000 Box Micro Processor



Part Number	08055-1
※ Available in 110~120V or 220~240V	

105TDS Box Light Indicator



Part Number	08056
-------------	-------

RO COMPONENTS

:: TDS ADJUSTMENT VALVE

TDS Adjustment Valve



Part Number	08061
Description	TDS Adjustment 1/4"

TDS Adjustment Valve



Part Number	08062
Description	TDS Adjustment 1/4"

:: PRESSURE REDUCER VALVE

Pressure Reducer Valve



Part Number	08080
Description	Self Piercing Valve 1/4"
Pressure	40 PSI
Part Number	08081
Description	Self Piercing Valve 3/8"
Pressure	40 PSI
Part Number	08082
Description	Self Piercing Valve 1/4"
Pressure	70 PSI
Part Number	08083
Description	Self Piercing Valve 3/8"
Pressure	70 PSI

:: LEAKAGE DETECTOR

Leakage Detector



Part Number	08083
Description	Self Piercing Valve 1/4"
Part Number	08084
Description	Self Piercing Valve 3/8"

:: DELIVER VALVE

Deliver Valve



Part Number	08101 / QKFA0408
Description	Self Piercing Valve 1/4"
Part Number	08102 / QKFA0608
Description	Self Piercing Valve 3/8"

:: PRESSURE GAUGE

Pressure Gauge



Part Number	08050
Description	Installed Before Membrane

Pressure Gauge 0-10 BAR



Part Number	08051
Description	Pressure Gauge 1/4"

:: FLOW METER

Flow Meter



Part Number	08071
Description	For RO1500
Part Number	08072
Description	For RO1500 (Drain)
Part Number	08073
Description	For RO3000
Part Number	08074
Description	For RO3000 (Drain)

:: TUBING

Tubing



Part Number	13001
Description	PE Tube white 1/4" 300m
Part Number	13002
Description	PE Tube blue 1/4" 300m
Part Number	13003
Description	PE Tube black 1/4" 300m
Part Number	13004
Description	PE Tube red 1/4" 300m
Part Number	13005
Description	PE Tube white 3/8" 150m
Part Number	13006
Description	PE Tube blue 3/8" 150m
Part Number	13007
Description	PE Tube red 3/8" 150m
Part Number	13008
Description	PE Tube black 3/8" 150m
Part Number	13009
Description	PE Tube white 1/2" 100m

RO COMPONENTS

:: BOOSTER PUMP

PurePro Booster Pump



Part Number	10011
Voltage	DC 24 V
Pressure	70~100 PSI
Inlet "0"	By Pass 80 PSI
Power	100 GPD
Ports	3/8" 18 NPT

Pump Transformer CE Approved



Part Number	10001
Voltage	DC 24 V

※ Available in 110~120V or 220~240V

High Flow Pump Transformer CE Approved



Part Number	10004
Voltage	DC 24 V

※ Available in 110~120V or 220~240V

High Flow Booster Pump With Transformer



Part Number	10005
Voltage	DC 24 V
Pressure	70~100 PSI
Inlet "0"	By Pass 110 PSI
Power	300 GPD
Ports	3/8" 18 NPT

Super Pump



Part Number	10007
Dimensions	280L x 120H x 120W (mm)
Water Inlet	1/4"
Fitting Type	Quick Fitting
Voltage	DC 24 V
Pressure	45 PSI

Pump Head



Part Number	10008
Description	Booster Pump
Part Number	10009
Description	High Flow Booster Pump

PurePro High Flow Booster Pump



Part Number	10012
Voltage	DC 30 V
Pressure	80~120 PSI
Inlet "0"	By Pass 100 PSI
Power	200 GPD
Ports	3/8" NPT

Pump Triangle Diaphragm



Part Number	10029
Description	For 10011
Part Number	10032
Description	For 10012 (High Flow)

Pump Seals & Pistons



Part Number	10030
Description	Pump Seals & Piston

Pump Spare Parts



Part Number	10031
Description	Pump Spare Parts

:: BRACKET

RO Bracket (Steel Made)



Part Number	12001
-------------	-------

Pump Bracket (Steel Made)



Part Number	12002
-------------	-------

RO Bracket (Aluminum Made)



Part Number	12003
-------------	-------

RO COMPONENTS

Pump Bracket (Aluminum Made)



Part Number 12004

Bracket For 3 x Filter Housing



Part Number 12005

Faucet Bracket For Faucets (plastic)



Part Number 12006

Faucet Bracket For Faucets (Steel)



Part Number 12007

Single Housing Bracket For 10' Filter Housing



Part Number 12008

Single Housing Bracket For 20" Filter Housing



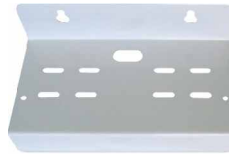
Part Number 12009

Housing Bracket For 10" / 20" Big Blue Filter Housing



Part Number 12010

Twin Housing Bracket For 2 Filter Housings



Part Number 12011

Three Housing Bracket For 3 Filter Housings



Part Number 12012

EC Housing Bracket For 3 Filter Housings



Part Number 12013

Bracket For WF-20 (Big Blue)



Part Number 12014

Bracket For RO600 Unit



Part Number 12015

Bracket For RO800 Unit



Part Number 12016

RO COMPONENTS

:: WATER STORAGE TANK

RO-132 Metal Water Storage Tank



Part Number	02001
Dimensions (mm)	279(Dia.) x 368(H)
Tank Capacity	3.2 Gallons
Connector	1/4" NPT

RO-2000 Metal Water Storage Tank



Part Number	02006
Dimensions (mm)	389(Dia.) x 790(H)
Tank Capacity	20 Gallons
Connector	1" BSP

RO-152 Metal Water Storage Tank



Part Number	02002
Dimensions (mm)	290(Dia.) x 390(H)
Tank Capacity	5.5 Gallons
Connector	1/4" NPT

TP-100 Metal Water Storage Tank



Part Number	02007
Dimensions (mm)	430(Dia.) x 804(H)
Tank Capacity	28 Gallons
Connector	1" BSP

RO-122 Metal Water Storage Tank



Part Number	02003
Dimensions (mm)	244(Dia.) x 366(H)
Tank Capacity	2.2 Gallons
Connector	1/4" NPT

RO-120 Metal Water Storage Tank



Part Number	02004
Dimensions (mm)	203(Dia.) x 317(H)
Tank Capacity	1.8 Gallons
Connector	1/4" NPT

TP-19P Plastic Water Storage Tank



Part Number	02009
Dimensions (mm)	280(Dia.) x 401(H)
Tank Capacity	4.0 Gallons
Connector	1/4" NPT

RO-1070 Metal Water Storage Tank



Part Number	02005
Dimensions (mm)	389(Dia.) x 626(H)
Tank Capacity	14 Gallons
Connector	3/8" NPT

SS-180 Stainless Steel Tank



Part Number	02008
Dimensions (mm)	279(Dia.) x 368(H)
Tank Capacity	4.4 Gallons
Connector	1/4" NPT

PRO4000W Plastic Water Storage Tank



Part Number	02010
Dimensions (mm)	280(Dia.) x 355(H)
Tank Capacity	3.2 Gallons
Connector	1/4" NPT

RO COMPONENTS

:: FAUCET



Specification				
Part Number	Description	Color	Tube	No. / Case
101	Long reach faucet with a ceramic disc valve	Chrome	1/4"	40 PCS
101-S	Long reach faucet with a ceramic disc valve	Stainless Steel	1/4"	40 PCS
103	Long reach faucet with a ceramic valve	Antique Brass	1/4"	40 PCS
105	Long reach faucet with a ceramic valve	White	1/4"	40 PCS
106	Long reach faucet with a ceramic valve	Champagne	1/4"	40 PCS



Specification				
Part Number	Description	Color	Tube	No. / Case
107	Long reach faucet with a ceramic disc valve	Chrome	1/4"	40 PCS
108	Press type faucet	Chrome	1/4"	40 PCS
109	Double faucet with a ceramic valve enabling water flow from two different sources	Chrome	1/4"	20 PCS
220	Double faucet with a ceramic valve enabling water flow from two different sources	Chrome	1/4"	20 PCS
111	Special faucet for ionized water systems	Chrome	1/4"	40 PCS
112	Long reach faucet with a ceramic disc valve	Chrome	1/4"	40 PCS



PUREPRO
DRINKING WATER SYSTEM

**EUROPEAN
DESIGN
FAUCET**

PUREPRO REVERSE OSMOSIS FAUCET #101

- Made of High Quality Material
- Professional Workmanship
- Ceramic Designer and Traditional Models Available



PurePro Reverse Osmosis

RO COMPONENTS

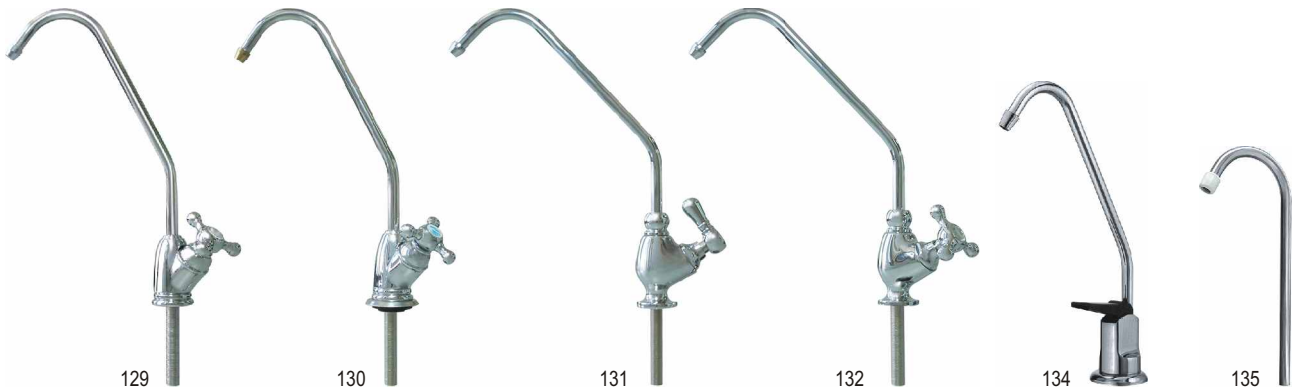


Specification				
Part Number	Description	Color	Tube	No. / Case
115	Long reach faucet with a ceramic disc valve	Chrome	1/4"	40 PCS
116	Long reach faucet with a ceramic disc valve	Chrome	1/4"	40 PCS
117	Long reach faucet with a ceramic disc valve	Chrome	1/4"	40 PCS
118	Long reach faucet with a ceramic disc valve	Gold	1/4"	50 PCS
121	Long reach faucet with a ceramic valve	2 Point Gold	1/4"	40 PCS



Specification				
Part Number	Description	Color	Tube	No. / Case
122	Long reach faucet with a ceramic valve (smaller handle)	Chrome	1/4"	40 PCS
123	Long reach faucet with a ceramic valve	Gold	1/4"	40 PCS
124	Long reach faucet with a ceramic valve quarter-turn handle	Champagne	1/4"	50 PCS
125	Long reach faucet with a ceramic disc valve	Chrome	1/4"	50 PCS
126	Long reach faucet with a ceramic disc valve	Chrome	1/4"	40 PCS
127	Long reach faucet with a ceramic disc valve	Chrome	1/4"	40 PCS
128	Long reach faucet with a ceramic disc valve	Chrome	1/4"	40 PCS

RO COMPONENTS



Specification

Part Number	Description	Color	Tube	No. / Case
129	Long reach faucet with a ceramic valve	Chrome	1/4"	50 PCS
130	Long reach faucet with a ceramic valve	Chrome	1/4"	50 PCS
131	Long reach faucet with a ceramic valve	Chrome	1/4"	40 PCS
132	Long reach faucet with a ceramic valve	Chrome	1/4"	40 PCS
134	Long reach faucet standard	Chrome	1/4"	50 PCS
135	Faucet parts	Chrome	1/4"	100 PCS



Specification

Part Number	Description	Color	Tube	No. / Case
181	Euro-Luxury Faucet (Lead free. NSF)	Chrome plated	1/4"	30 PCS
182	Euro-Luxury Faucet (Lead free. NSF)	Antique brass	1/4"	30 PCS
183	Euro-Luxury Faucet (Lead free. NSF)	Antique wine	1/4"	30 PCS
184	Euro-Luxury Faucet (Lead free. NSF)	Brushed nickel	1/4"	30 PCS
185	Euro-Luxury Faucet (Lead free. NSF)	Bright Golden	1/4"	30 PCS
186	Euro-Luxury Faucet (Lead free. NSF)	Stain Nickel	1/4"	30 PCS

RO COMPONENTS



Specification

Part Number	Description	Color	Tube	No. / Case
209	Long reach faucet with a ceramic valve quarter-turn handle	Chrome plated	1/4"	30 PCS
210	NSF Certificated Big one	Antique brass	1/4"	30 PCS
213	New design hot cold ro-water Three in one	Chrome	1/4"	8 PCS
214	New design hot cold ro-water Three in one	Chrome	1/4"	8 PCS
215	New design hot cold ro-water Three in one	Chrome	1/4"	8 PCS



Specification

Part Number	Description	Color	Tube	No. / Case
207	New design hot cold ro-water Three in one	Chrome	1/4"	8 PCS
208	New design hot cold ro-water Three in one	Chrome	1/4"	8 PCS
211	New design hot cold ro-water Three in one	Chrome	1/4"	8 PCS
212	New design hot cold ro-water Three in one	Chrome	1/4"	8 PCS

※ You don't need to drill the hole for RO faucet, just replace the old one.



KITCHEN & DRINKING FAUCET

HOT COLD RO-WATER / THREE IN ONE #208

You don't need to drill the hole for RO faucet,
just replace the old one.



PurePro Reverse Osmosis

MEMBRANE HOUSING & MEMBRANE

:: RO MEMBRANE



Specification

Part Number	Description	Maximum Operating Pressure	Max. Working Temperature
05001	TW30-1812-50 50 GPD	60 PSI	2°C - 45°C (35.6°F - 113°F)
05002	TW30-1812-80 80 GPD	60 PSI	2°C - 45°C (35.6°F - 113°F)
05003	TW30-1812-100 100 GPD	60 PSI	2°C - 45°C (35.6°F - 113°F)
05005	TW30-1812-200 200 GPD	100 PSI	2°C - 45°C (35.6°F - 113°F)
05006	TW30-2521 250 GPD	150 PSI	2°C - 45°C (35.6°F - 113°F)
05007	TW-4021 800 GPD	150 PSI	2°C - 45°C (35.6°F - 113°F)
05008	TW-4040 2200 GPD	150 PSI	2°C - 45°C (35.6°F - 113°F)
05009	BW-4040 2200 GPD	150 PSI	2°C - 45°C (35.6°F - 113°F)
05020	ECO-PRO-100 100 GPD	100 PSI	2°C - 45°C (35.6°F - 113°F)
05021	NF33-1812-80 80 GPD	100 PSI	2°C - 45°C (35.6°F - 113°F)
05022	NF33-1812-100 100 GPD	100 PSI	2°C - 45°C (35.6°F - 113°F)
05023	NF33-1812-250 250 GPD	100 PSI	2°C - 45°C (35.6°F - 113°F)
05024	NF33-1812-300 300 GPD	100 PSI	2°C - 45°C (35.6°F - 113°F)
05025	NF40-2521 300 GPD	150 PSI	2°C - 45°C (35.6°F - 113°F)
05026	NF40-4021 800 GPD	150 PSI	2°C - 45°C (35.6°F - 113°F)
05027	NF40-4040 2200 GPD	150 PSI	2°C - 45°C (35.6°F - 113°F)

:: MEMBRANE HOUSING

Membrane Housing White Color 1812



Part Number	11030
Female Type Thread	1/8" NPT
Max. Burst	500 PSI
Cycle Test	0-150 PSI, 100,000 Times
Max. Operating	125 PSI
Max. Temperature	2°C - 45°C (35.6°F - 113°F)

Stainless Steel Pressure Vessel Membrane Housing



Part Number	4021-12
	4040-12
	4040-34
	2521-38
	2540-38
Inlet / Outlet	1/2", 1/2" NPT
	1/2", 1/2" NPT
	3/4", 1/2" NPT
	3/8", 1/4" NPT
	3/8", 1/4" NPT
End cap	PA66+30% GF (plastic) /SS
Housing	304 SS / 316 SS
O-ring	EPDM
Clip	304 SS

Membrane Housing White Color 1812



Part Number	11031
Female Type Thread	1/8" NPT
Max. Burst	500 PSI
Cycle Test	0-150 PSI, 100,000 Times
Max. Operating	125 PSI
Max. Temperature	2°C - 45°C (35.6°F - 113°F)

PUREPRO Membranes

PUREPRO reverse osmosis membrane elements for home drinking water are the industry's most reliable. Advanced membrane technology and automated fabrication allow these elements to deliver consistent performance that equipment suppliers, water treatment dealers and residential customers can rely on. A thin film composite (TFC) high quality membrane that processes 50 gallons per day. It remove the following hard water contaminants that may be present in your water: lead, cooper, barium, chromium, mercury, sodium, cadmium, fluoride, nitrite, nitrate, and selenium.

PUREPRO home drinking water elements are rated at 50 psi and will purify about 20% more water than competitive elements rated at 60 psi (please see reference charts on back for more information).





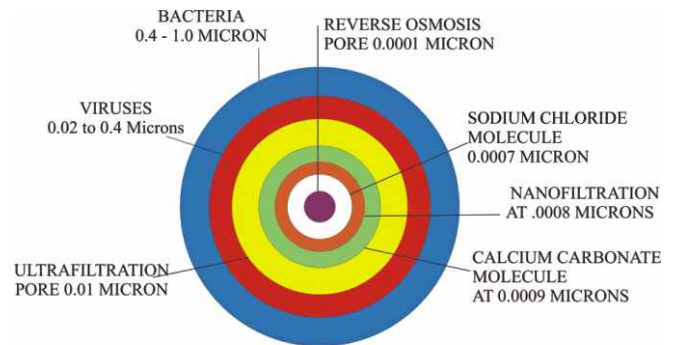
PUREPRO Nanofiltration (NF) Membranes

What is Nanofiltration (NF) membranes ?

Nanofiltration membrane has a slightly larger pore size than reverse osmosis membrane. Thus monovalent salts like sodium chloride (common table salt) molecules passes through the membrane but large divalent salts of Calcium, Magnesium and other metals like iron, heavy metals, etc. are all blocked.

Reverse Osmosis Pore Size vs Nanofiltration Pore Size

The RO pore size diagram below will help in understanding the relative pore sizes of Membranes and the sizes of the common impurities.



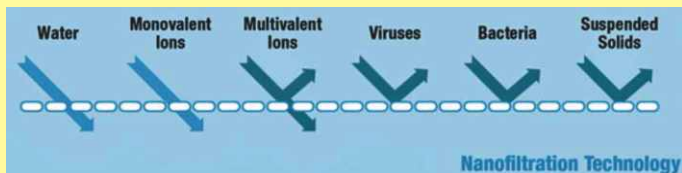
PORE SIZE COMPARED WITH MOLECULES, BACTERIA AND VIRUS APPROXIMATE VALUES AND FIGURE IS NOT TO SCALE

The pore size of RO membrane is 0.0001 microns which is smaller than the size of the Sodium Chloride Molecule which is 0.0007 micron and will not let it through. Nor will it let through germs and viruses, and organic molecules which are very much larger than the RO pore.

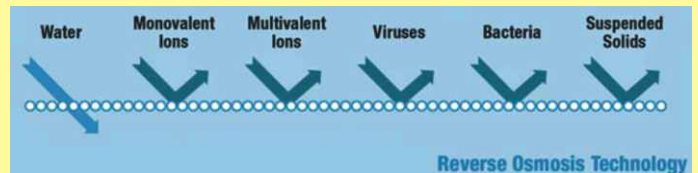
So an RO membrane will purify water from almost all chemicals. What can pass through the RO membrane is water and molecules smaller than the water molecule, like CO₂ gas. Smaller molecules than water is generally not harmful to health. The RO Water is very pure. Bottled water manufacturers usually use reverse osmosis water filters to purify their water.

The Nanofiltration pore size at 0.0008 microns, is only slightly larger than the RO pore (0.0001 microns) and also only very slightly larger than the size of the common salt (NaCl) molecule. So it allows monovalent common salt Sodium Chloride to pass through but will not allow divalent Calcium salts like Calcium Carbonate of dia 0.0009 microns to pass through. Nanofiltration and Reverse Osmosis RO membranes remove Mercury, Lead, Heavy Metals, Arsenic, all germs and viruses from water and makes Hard Water Soft.

The diagrams below from PurePro Membranes helps us to better understand the concept of Nanofiltration and Reverse Osmosis.



Nanofiltration Membrane allows only pure water, monovalent salts and lower molecular weight divalent salts to pass through.



RO membrane only allows pure water to pass through it. Everything else like monovalent and multivalent salts, bacteria and viruses, dirt, etc. are completely blocked.

PurePro RO systems (with NF membrane) are designed for the people who still want to keep the mineral element inside the water. It is also the premier pre-filtration system available for water ionizers today. The size of the pores on the NF membrane are 0.0008 microns allowing it to remove bacteria, viruses, heavy metals, viral contaminants, and other dangerous elements while still allowing valuable minerals through for the water ionizer to ionize, and your body to absorb.

A M E R I C A S E R I E S



QUALITY
WATER
FOR
QUALITY
LIFE



PurePro® America Series AS-316UV

It is suitable for manufacturing, restaurants, coffee shop, food processing industries, shopping centers, dental hospitals, schools and hotels.

PurePro Reverse Osmosis

FILTER HOUSING

:: FILTER HOUSING

10" White Filter Housing



Part Number	11001
Inlet / Outlet	1/4" NPT
Clear Housing	Acrylonitrile Styrene
Housing Head	Polyethylene
Double O-ring	BUNA-N
Max. Pressure	100 PSI
Max. Working Temperature	2°C - 45°C (35.6°F - 113°F)

10" Clear Filter Housing



Part Number	11005
Thread Size	3/8", 1/2", 3/4" NPT
Blue Housing	Polyethylene
Housing Head	Polyethylene
Double O-ring	BUNA-N
Max. Pressure	100 PSI
Max. Working Temperature	2°C - 45°C (35.6°F - 113°F)

10" White Filter Housing



Part Number	11002
Inlet / Outlet	1/2" NPT
White Housing	Polyethylene
Housing Head	Polyethylene
Double O-ring	BUNA-N
Max. Pressure	100 PSI
Max. Working Temperature	2°C - 45°C (35.6°F - 113°F)

20" Blue Filter Housing



Part Number	11006
Thread Size	3/8", 1/2", 3/4" NPT
Blue Housing	Polyethylene
Housing Head	Polyethylene
Double O-ring	BUNA-N
Max. Pressure	100 PSI
Max. Working Temperature	2°C - 45°C (35.6°F - 113°F)

10" White Filter Housing



Part Number	11003
Thread Size	1/2" NPT
White Housing	Polyethylene
Housing Head	Polyethylene
Double O-ring	BUNA-N
Max. Pressure	100 PSI
Max. Working Temperature	2°C - 45°C (35.6°F - 113°F)

5" Clear Filter Housing



Part Number	11008
Thread Size	1/4" NPT
Blue Housing	Polyethylene
Housing Head	Polyethylene
Filter O-ring	BUNA-N
Max. Pressure	100 PSI
Max. Working Temperature	2°C - 45°C (35.6°F - 113°F)

10" Blue Filter Housing



Part Number	11004
Thread Size	3/8", 1/2", 3/4" NPT
Blue Housing	Polyethylene
Housing Head	Polyethylene
Double O-ring	BUNA-N
Max. Pressure	100 PSI
Max. Working Temperature	2°C - 45°C (35.6°F - 113°F)

5" White Filter Housing



Part Number	11009
Thread Size	1/4" NPT
Blue Housing	Polyethylene
Housing Head	Polyethylene
Filter O-ring	BUNA-N
Max. Pressure	100 PSI
Max. Working Temperature	2°C - 45°C (35.6°F - 113°F)

FILTER HOUSING

:: FILTER HOUSING

10" Clear Filter Housing



Part Number	11011
Inlet / Outlet	1/4" NPT
Clear Housing	Acrylonitrile Styrene
Housing Head	Polyethylene
Double O-ring	BUNA-N
Max. Pressure	100 PSI
Max. Working Temperature	2°C - 45°C (35.6°F - 113°F)

10" Blue Filter Housing



Part Number	11021
Thread Size	3/8", 1/2", 3/4" NPT
Blue Housing	Polyethylene
Housing Head	Polyethylene
Filter O-ring	BUNA-N
Max. Pressure	100 PSI
Max. Working Temperature	2°C - 45°C (35.6°F - 113°F)

10" White Filter Housing



Part Number	11012
Inlet / Outlet	1/4" NPT
White Housing	Polyethylene
Housing Head	Polyethylene
Double O-ring	BUNA-N
Max. Pressure	100 PSI
Max. Working Temperature	2°C - 45°C (35.6°F - 113°F)

10" Big Blue Filter Housing



Part Number	11022
Thread Size	3/4", 1", 1 1/2" NPT
Blue Housing	Polyethylene
Housing Head	Polyethylene
Double O-ring	BUNA-N
Max. Pressure	100 PSI
Max. Working Temperature	2°C - 45°C (35.6°F - 113°F)

10" Clear Filter Housing



Part Number	11013
Inlet / Outlet	3/8", 1/2", 3/4" NPT
Clear Housing	Acrylonitrile Styrene
Housing Head	Polyethylene
Double O-ring	BUNA-N
Max. Pressure	100 PSI
Max. Working Temperature	2°C - 45°C (35.6°F - 113°F)

20" Big Blue Filter Housing



Part Number	11024
Thread Size	3/4", 1", 1 1/2" NPT
Blue Housing	Polyethylene
Housing Head	Polyethylene
Double O-ring	BUNA-N
Max. Pressure	100 PSI
Max. Working Temperature	2°C - 45°C (35.6°F - 113°F)

10" Clear Filter Housing



Part Number	11020
Thread Size	3/8", 1/2", 3/4" NPT
White Housing	Polyethylene
Housing Head	Polyethylene
Double O-ring	BUNA-N
Max. Pressure	100 PSI
Max. Working Temperature	2°C - 45°C (35.6°F - 113°F)

FILTER HOUSING

:: FILTER HOUSING

20" White Filter Housing



Part Number	11026
Thread Size	3/8", 1/2", 3/4" NPT
White Housing	Polyethylene
Housing Head	Polyethylene
Double O-ring	BUNA-N
Max. Pressure	100 PSI
Max. Working Temperature	2°C - 45°C (35.6°F - 113°F)

:: UNDER SINK WATER FILTER

2 Stage Water Filter



Part Number	F20
Dimensions (mm)	245(L) x 340(H) x 125(W)
Water Inlet	1/2"
Max. Pressure	80 PSI
Max. Working Temperature	2°C - 45°C (35.6°F - 113°F)
Cartridges Dimensions	10" x 2.5"
Cartridges Type	Optional

※ The system includes a standard set of component parts.

20" Blue Filter Housing



Part Number	11027
Thread Size	3/8", 1/2", 3/4" NPT
Blue Housing	Polyethylene
Housing Head	Polyethylene
Double O-ring	BUNA-N
Max. Pressure	100 PSI
Max. Working Temperature	2°C - 45°C (35.6°F - 113°F)

3 Stage Water Filter



Part Number	F30
Dimensions (mm)	350(L) x 360(H) x 130(W)
Water Inlet	1/2"
Max. Pressure	80 PSI
Max. Working Temperature	2°C - 45°C (35.6°F - 113°F)
Cartridges Dimensions	10" x 2.5"
Cartridges Type	Optional

※ The system includes a standard set of component parts.

3 Stage Water Filter



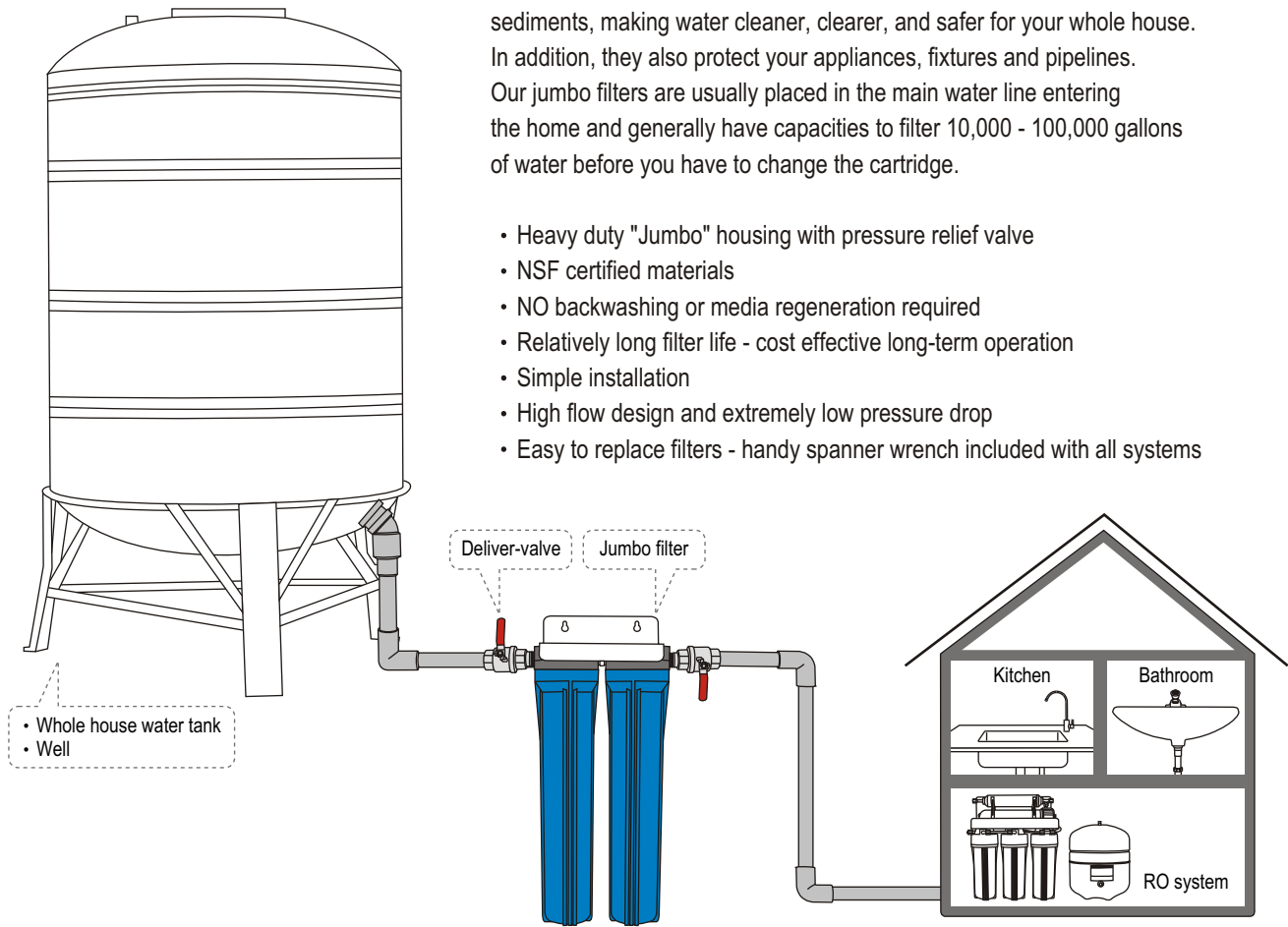
Part Number	F30W
Dimensions (mm)	350(L) x 360(H) x 130(W)
Water Inlet	1/2"
Max. Pressure	80 PSI
Max. Working Temperature	2°C - 45°C (35.6°F - 113°F)
Cartridges Dimensions	10" x 2.5"
Cartridges Type	Optional

※ The system includes a standard set of component parts.

WHOLE HOUSE FILTER

Jumbo filters remove chlorine and other chemical tastes, odors plus dirt, sediments, making water cleaner, clearer, and safer for your whole house. In addition, they also protect your appliances, fixtures and pipelines. Our jumbo filters are usually placed in the main water line entering the home and generally have capacities to filter 10,000 - 100,000 gallons of water before you have to change the cartridge.

- Heavy duty "Jumbo" housing with pressure relief valve
- NSF certified materials
- NO backwashing or media regeneration required
- Relatively long filter life - cost effective long-term operation
- Simple installation
- High flow design and extremely low pressure drop
- Easy to replace filters - handy spanner wrench included with all systems



BB20-01



BB20-02



BB20-03

Specification

Part Number	Inlet / Outlet	Bracket	Max. Pressure	Cartridges Dimensions	Max. Working Temperature	Dimension (mm)
BB20-01	1" NPT	Wall Bracket	125 PSI	20" x 4.5"	2°C - 45°C (35.6°F - 113°F)	550(L) x 750(H) x 188(W)
BB20-02	1" NPT	Wall Bracket	125 PSI	20" x 4.5"	2°C - 45°C (35.6°F - 113°F)	352(L) x 750(H) x 188(W)
BB20-03	1" NPT	Wall Bracket	125 PSI	20" x 4.5"	2°C - 45°C (35.6°F - 113°F)	188(L) x 770(H) x 200(W)

JUMBO FILTER

:: WHOLE HOUSE FILTER

WF-10 Whole House Filter (BIG BLUE)



Part Number	WF-10
Dimensions (mm)	195(L) x 680(H) x 250(W)
Pressure Release Valve	1" NPT input/output
Bracket	Wall Bracket
Max. Pressure	125 PSI
Max. Working Temperature	2°C - 45°C (35.6°F - 113°F)
Cartridges Dimensions	20" x 4.5"
Cartridges Type	Sediment

※ The system includes a standard set of component parts.

:: COUNTERTOP WATER FILTER

1 Stage Countertop Water Filter



Part Number	01037
Dimensions (mm)	150(L) x 320(H) x 135(W)
Water Inlet	1/4"
Max. Pressure	80 PSI
Max. Working Temperature	2°C - 45°C (35.6°F - 113°F)
Cartridges Dimensions	10" x 2.5"
Cartridges Type	Sediment

※ The system includes a standard set of component parts.

WF-20 Whole House Filter (BIG BLUE)



Part Number	WF-20
Dimensions (mm)	195(L) x 830(H) x 450(W)
Pressure Release Valve	1" NPT input/output
Bracket	Floor standing Bracket
Max. Pressure	125 PSI
Max. Working Temperature	2°C - 45°C (35.6°F - 113°F)
Cartridges Dimensions	20" x 4.5"
Cartridges Type	Sediment, Carbon

※ The system includes a standard set of component parts.

2 Stage Countertop Water Filter



Part Number	01038
Dimensions (mm)	270(L) x 320(H) x 135(W)
Water Inlet	1/4"
Max. Pressure	80 PSI
Max. Working Temperature	2°C - 45°C (35.6°F - 113°F)
Cartridges Dimensions	10" x 2.5"
Cartridges Type	Sediment, Carbon

※ The system includes a standard set of component parts.

WF-30 Whole House Filter (Slim Line)



Part Number	WF-30
Dimensions (mm)	195(L) x 660(H) x 460(W)
Pressure Release Valve	3/4" NPT input/output
Bracket	Wall Bracket
Max. Pressure	125 PSI
Max. Working Temperature	2°C - 45°C (35.6°F - 113°F)
Cartridges Dimensions	20" x 2.5"
Cartridges Type	Sediment, GAC Filter, Carbon

※ The system includes a standard set of component parts.

3 Stage Countertop Water Filter



Part Number	01039
Dimensions (mm)	385(L) x 320(H) x 135(W)
Water Inlet	1/4"
Max. Pressure	80 PSI
Max. Working Temperature	2°C - 45°C (35.6°F - 113°F)
Cartridges Dimensions	10" x 2.5"
Cartridges Type	Sediment, Carbon

※ The system includes a standard set of component parts.



A better design A better quality

20" Whole House Filters
High Flow (Big Blue) housings
with standing frame



WHF20-03



WHF20-02

Features :

- Pressure Release Valve
- Wall Bracket
- Easy Filter Changes
- Compact
- Available in 1/2", 3/4" or 1" NPT input/output
- All whole house filters include a standing frame and spanner.
(Not included cartridge filters)

Operating Data :

- Max. Pressure: 125 psi
- Max. Temperature: 120°F (50°C)

WATER TESTER

Electronic Color Tester



Part Number	161001
Dimensions (mm)	102(L) x 100(H) x 49(W)
QTY.	60 PCS / BOX

Pressure Gauge



Part Number	08050
Description	Installed before Membrane

TDS Meter



Part Number	161002
Dimensions (mm)	150(L) x 23(H) x 29(W)
QTY.	10 PCS / BOX

Pressure Gauge



Part Number	08051
Description	0-10 Bar

PurePro TDS Meter



Part Number	161002-1
Dimensions (mm)	150(L) x 16(H) x 27(W)
QTY.	50 PCS / BOX

Single Liquid pH Test Kit



Part Number	162808
Dimensions (mm)	50(L) x 50(H) x 60(W)
QTY.	50 PCS / BOX

pH Meter



Part Number	pH600
Dimensions (mm)	150(L) x 20(H) x 28(W)
QTY.	10 PCS / BOX

Demo Unit



Part Number	11120
Dimensions (mm)	600(L) x 750(H) x 250(W)

※ Portable design easily carries for demonstration.

Tyre Pressure Gauge



Part Number	162807
Dimensions (mm)	150(L) x 30(H) x 40(W)
QTY.	30 PCS / BOX

12000GPD Purification filter
for laboratory
and industrial using

Industrial RO System



Pure-Pro Reverse Osmosis (RO) Systems

Over ten years expertise in reverse osmosis drinking water systems, our unique design features make installation easier and operation more reliable, and our wide selection of colors and sizes allows you to solve virtually any RO application.

PurePro Reverse Osmosis



PUREPRO DRINKING WATER SYSTEM

Pure-Pro Water Corporation

14F-7, 232 Cheng Kung 1st Rd.,
80249 Kaohsiung, Taiwan
Tel: +886-7-3330597 Fax: +886-7-3306696
www.pure-pro.com

PurePro USA Corp.

9200W 191st Street, Unit 5 Mokena,
ILL 60448, USA
Tel: 1-708-479-4473 Fax: 1-708-479-4332
www.purepro.net

CONTACT

info@pure-pro.com
sales@pure-pro.com

© PUREPRO USA CORP., ILLINOIS, U.S.A.
TOLL FREE No.: 1-800-993-2933