

SCHOCK



SINKS & TAPS
2023

Product advantages

SCHOCK sinks consist predominantly of quartz. The finishes were specially developed by SCHOCK for the demands of the kitchen. The rigours of everyday use leave barely a trace on our proven material technology.



Who invented it?

SCHOCK is the inventor of the coloured, quartz composite sink and is the only manufacturer to offer CRISTADUR®, a premium, silky-smooth finish.



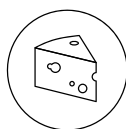
Carbon neutral and certified

We have achieved carbon neutrality for our company and all our kitchen sinks. The certification of our company and all sinks as climate-neutral refers to the 2022 reporting period (cp. climatepartner.com/16431-2208-1001). Various product quality features are regularly tested and certified by DEKRA.



Easy to clean

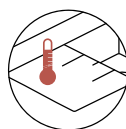
Poreless surface for an extremely easy-clean, hygienic finish



Odour free

Leaves the surface free of smells

DIN 10955



Heat resistant

Not temperature sensitive up to 180°C

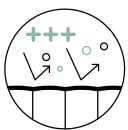
DIN EN 13310



Food safe

Absolutely safe material

DIN EN 1186



Dirt repellent effect

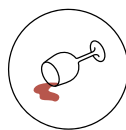
Dirt and water simply roll off



Impact resistant

Tough and hard-wearing material

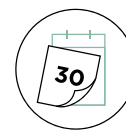
DIN EN 438-2



Stain resistant

Resistant to food stains

DIN EN 13310



Made to last

Extremely durable

DIN EN 13310



Contact & Content



Schock GmbH Tel.: +49 9921 600-0
 Hofbauerstraße 1 Fax: +49 9921 600-263
 94209 Regen Mail: info@schock.de
 www.schock.de/int_en



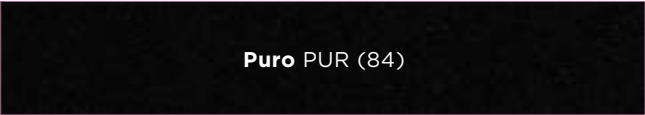
p. 02	CRISTADUR® Sinks
p. 03	CRISTADUR® Colours
p. 06	CRISTADUR® Overview
p. 08	CRISTADUR® Green Line
p. 09	CRISTADUR® Green Line Overview
p. 72	CRISTALITE® Sinks
p. 73	CRISTALITE® Colours
p. 74	CRISTALITE® Overview
p. 168	Mixer Taps
p. 170	Chrome Mixer Taps Overview
p. 172	Stainless Steel Mixer Taps Overview
p. 174	Special Feature Overview
p. 212	Soap dispenser
p. 216	Accessories
p. 224	Trim parts
p. 226	Overview Sinks
p. 230	Overview Mixer Taps
p. 232	Legend Mixer Taps Icons



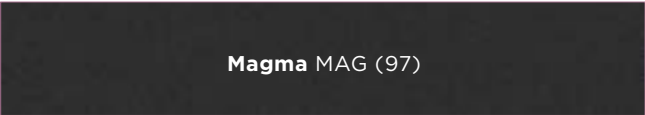
CRISTADUR® Sinks



CRISTADUR® Colours



Puro PUR (84)



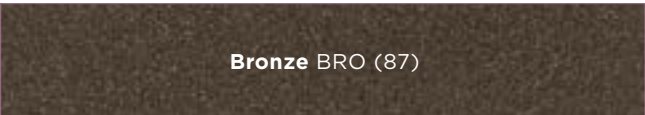
Magma MAG (97)



Carbonium CAR (90)



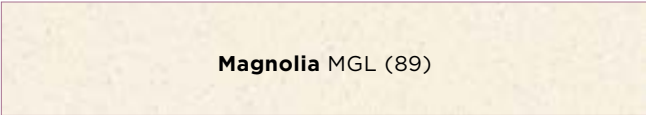
Stone STO (88)



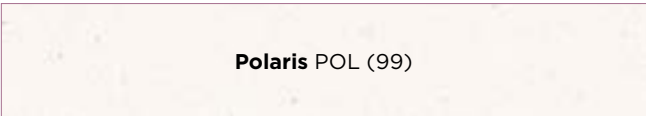
Bronze BRO (87)



Silverstone SIL (91)



Magnolia MGL (89)



Polaris POL (99)



Rouge ROU (81)



CRISTADUR® GREEN LINE

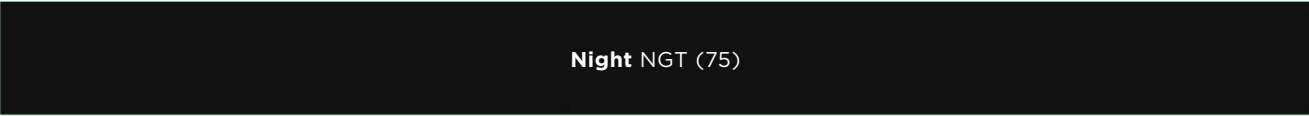
Discover our most sustainable quartz composite material!



Day DAY (74)



Dusk DSK (77)



Night NGT (75)



Twilight TWI (76)

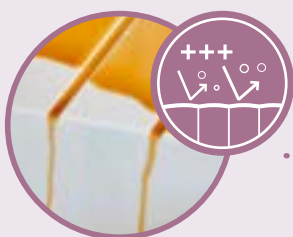
CRISTADUR® advantages

The premium material wins fans with its **patented, poreless structure** and beautifully shimmery finish, from which any dirt and water simply roll off. Being extremely easy to clean, it's not just the look of CRISTADUR® that makes it a luxury to befit any kitchen.



SILKY-SMOOTH FINISH

Feel the difference with the poreless structure.



DIRT REPELLENT EFFECT

Water and dirt simply roll off the surface, leaving nothing for germs and bacteria to grow on.



EASY TO CLEAN

The poreless finish and dirt repellent effect makes the sinks extremely easy to clean.



INTENSE COLOURS

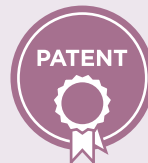
More than 13 intensely shimmering colours from pure white to jet black – and if you like it loud, you can even have red.



Tested with boiling water taps



Range of flush mount models available



Patented technology
Further patents pending



Information on
Climate neutrality

With resource-saving production in Germany, natural quartz and raw materials efficiency of 90%, all SCHOCK quartz composite sinks are made with a responsible approach to nature and the environment. The CRISTADUR® Green Line, which consists mostly of natural, renewable or recycled raw materials, is a further upgrade for the premium material.

CARBON NEUTRAL COMPANY ...▶



We have become a carbon neutral company by implementing a variety of measures and offsetting CO₂ in accordance with the Gold Standard.

CARBON NEUTRAL SINKS ...▶



All our sinks are also carbon neutral after a process of calculating, avoiding, reducing and offsetting carbon emissions. For more information, see the QR code.

GREEN LINE ...▶



The most sustainable product line from SCHOCK consisting mostly of natural, renewable or recycled raw materials.



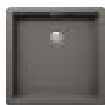
CRISTADUR® Sinks

45

GREENWICH N-100S

Ⓐ
Ⓤ
ⓕⓑ
p. 21

50

GREENWICH N-100

Ⓐ
Ⓤ
ⓕⓑ
p. 22

60

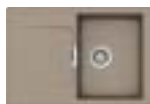
GALAXY N-100

Ⓐ
Ⓤ
p. 17

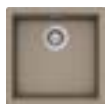
60

SIGNUS D-100L

Ⓐ
Ⓤ
ⓕⓑ
p. 50

MONO D-100S

Ⓐ
Ⓤ
ⓕⓑ
p. 36

KIRUNA N-100

Ⓐ
Ⓤ
ⓕⓑ
p. 29

GREENWICH N-100L

Ⓐ
Ⓤ
ⓕⓑ
p. 23

SIGNUS D-150

Ⓐ
Ⓤ
ⓕⓑ
p. 51

MONO R-100

Ⓐ
Ⓤ
p. 43

MONO D-100

Ⓐ
Ⓤ
ⓕⓑ
p. 37

KALLIO M-100

Ⓜ
Ⓤ
ⓕⓑ
p. 13

TIA D-100LS

Ⓐ
Ⓤ
p. 59

SIGNUS D-100

Ⓐ
Ⓤ
ⓕⓑ
p. 49

MONO N-100S

Ⓐ
Ⓤ
ⓕⓑ
p. 41

KIRUNA N-100L

Ⓐ
Ⓤ
ⓕⓑ
p. 29

TIA D-100L

Ⓐ
Ⓤ
p. 60

TOLEDO D-100XS

Ⓐ
Ⓤ
p. 63

TIA D-100

Ⓐ
Ⓤ
p. 59

MONO D-100XS

Ⓐ
Ⓤ
ⓕⓑ
p. 35

TOLEDO D-100L

Ⓐ
Ⓤ
p. 64

TOLEDO D-100

Ⓐ
Ⓤ
p. 63

MONO D-100L

Ⓐ
Ⓤ
ⓕⓑ
p. 38

TOLEDO D-150

Ⓐ
Ⓤ
p. 64

WATERFALL D-100

Ⓐ
Ⓤ
ⓕⓑ
p. 67

MONO D-150

Ⓐ
Ⓤ
ⓕⓑ
p. 39

WATERFALL D-150

Ⓐ
Ⓤ
ⓕⓑ
p. 68

WEMBLEY D-100

Ⓐ
Ⓤ
p. 70

MONO N-100

Ⓐ
Ⓤ
ⓕⓑ
p. 42

WEMBLEY D-100L

Ⓐ
Ⓤ
p. 70

Ⓐ = Topmount Ⓤ = Undermount ⓕⓑ = Flushmount Ⓜ = Module ● = Green Line ● = New Ⓤ = Update

Prepstation: Installation in two 60 cm base cabinets or one 120 cm base cabinet



PREPSTATION D-150



p. 47



KIRUNA N-100XL



p. 30



EDO N-175



p. 15



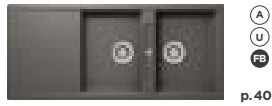
SIGNUS N-100XLY



p. 53



MONO D-200



p. 40

EDO N-175Y



p. 15

SUPRA N-175



p. 57

GALAXY N-100Y



p. 17

SIGNUS D-200



p. 52

GRANDO M-100



p. 11

GALAXY N-100L



p. 18

SIGNUS N-100XL



p. 53

HORIZONT N-200



p. 27



GALAXY N-100LY



p. 18

TOLEDO D-200



p. 65

KALLIO M-175



p. 13

LOTUS C-150



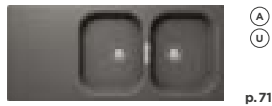
p. 33

GREENWICH N-100XL



p. 24

WEMBLEY D-200



p. 71

MONTANO N-100XL



p. 45

SIGNUS C-150



p. 54

GREENWICH N-200



p. 25

MONTANO N-100XLY



p. 45

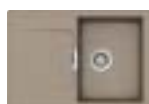
CRISTADUR® Green Line Sinks



CRISTADUR® GREEN LINE SINKS



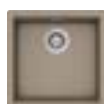
MONO D-100S



● (A)
● (U)
● (FB)
p. 36



KIRUNA N-100



● (A)
● (N)
● (U)
p. 29



KALLIO M-100



● (M)
● (N)
p. 13



PREPSTATION D-150



● (A)
● (U)
● (FB)
p. 47

MONO R-100



● (A)
● (U)
p. 43

MONO D-100



● (A)
● (U)
● (FB)
p. 37

KIRUNA N-100L



● (A)
● (N)
● (U)
p. 29



MONO N-100S



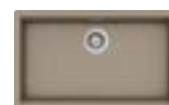
● (A)
● (U)
● (FB)
p. 41

MONO D-100XS



● (A)
● (U)
● (FB)
p. 35

KIRUNA N-100XL



● (A)
● (N)
● (U)
p. 30

MONO D-100L



● (A)
● (U)
● (FB)
p. 38



MONO D-150



● (A)
● (U)
● (FB)
p. 39

KALLIO M-175



● (M)
p. 13

MONO N-100



● (A)
● (U)
● (FB)
p. 42

(A) = Topmount (U) = Undermount (M) = Module ● = Green Line

(N) = New (U) = Update

Prepstation: Installation in two 60 cm base cabinets or one 120 cm base cabinet

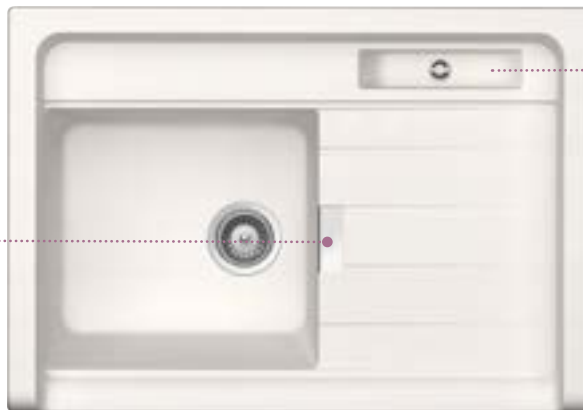


GRANDO

Tap model **Resi** in White Gold on sink model **Grando M-100** in Magnolia



M-100



Designer overflow



Recessed overflow area
e.g. for pouring away left-over liquids

More accessories on p. 216

Wastecap



Trim



Soap dispenser



Comfopush





GRANDO M-100

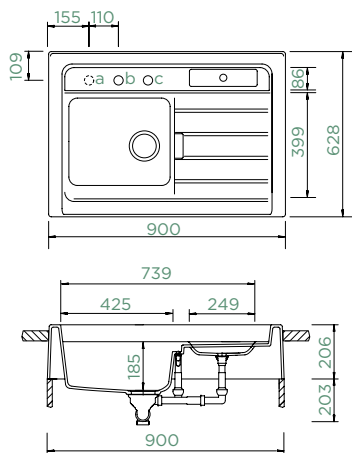
MODULE

Cabinet size: **90 cm**

Inner dimension of the bowl:

425 x 399 x 185 mm

Installation: **bowl left**



Accessories:

Automatic drain kit (629306PD)
Visible Parts in stainless steel (629306EDM)

Visible Parts in White Gold (629306WGO)

Visible Parts in Copper (629306COP)

Visible Parts in Gunmetal (629306GUM)

Visible Parts in Puro (629306PUR)

Amur (629014)

Ladon (629016)

Samo CHR (629169CHR)

Samo EDM (629169EDM)

Samo WGO (629169WGO)

Samo COP (629169COP)

Samo GUM (629169GUM)

Samo PUR (629169S)

Comfopush, CHR (629891CHR)

Comfopush, EDM (629891EDM)

Wastecap (628152)

MODULE

CRISTADUR® CLASSIC LINE

- GRAM100M **MAG**
- GRAM100M **MGL**
- GRAM100M **POL**



Note: When installing the Grando M-100 model, the worktop needs to be 5 mm longer on both sides because the sink is tapered. The tap holes in positions b and c are already knocked out. Position a is optional.



KALLIO

Tap model **Gota** in Black on sink model **Kallio M-175** in Day

Please note: For installation, the worktop must be **5 mm longer** on both sides as the sink is tapered. Because of the individual shape of this sink with its open back, we do not recommend installing it in kitchen islands or with worktops > 600 mm deep.



M-100

M-175



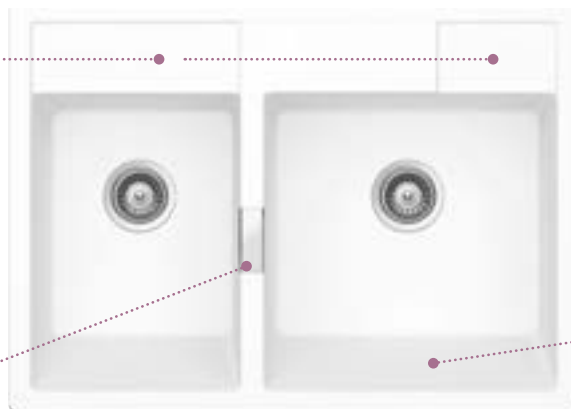
Closely spaced drainer grooves
emphasise the sleek look

Length-wise grooves
on the right as a place to put
dishwashing utensils

Width-wise grooves
on the left as a non-slip space
for standing up and draining chopping boards
or a place to put dishwashing utensils



Designer
overflow



Spacious bowl
with room for large cooking utensils



Pure CRISTADUR® Green
Line range



Slanted edge to the
front of the basin
for ergonomic cleaning
of baking trays and such

More accessories on p. 216

Trim



Soap dispenser



Comfopush



Wastecap



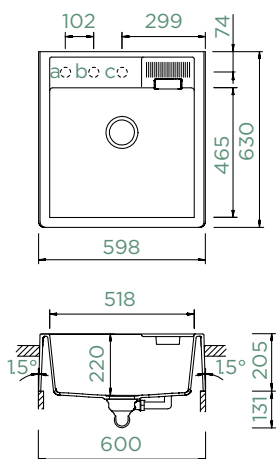


KALLIO M-100

MODULE



Cabinet size: **60 cm**
 Inner dimension of the bowl:
518 × 465 × 220 mm
 Installation: **fixed**



Accessories:

- Automatic drain kit (629915SG)
- Visible parts in stainless steel (629915EDM)
- Visible Parts in White Gold (629915WGO)
- Visible Parts in Copper (629915COP)
- Visible parts in Gunmetal (629915GUM)
- Visible Parts in Black - Puro (629915PUR)
- Manual drain kit (629916)
- Amur (629014)
- Ladon (629016)
- Comfopush, CHR (629891CHR)
- Comfopush, EDM (629891EDM)
- Wastecap (628152)

MODULE

CRISTADUR® GREEN LINE

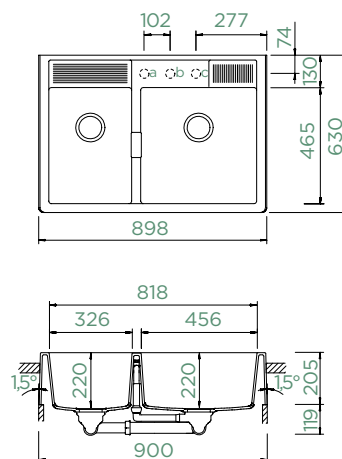
- KALM100M DAY
- KALM100M DSK
- KALM100M NGT
- KALM100M TWI



KALLIO M-175

MODULE

Cabinet size: **90 cm**
 Inner dimension of the bowl:
456 × 465 × 220 mm
 Installation: **fixed**



Accessories:

- Automatic drain kit (629373SG)
- Visible parts in stainless steel (629373EDM)
- Visible parts in White Gold (629373WGO)
- Visible parts in Copper (629373COP)
- Visible parts in Gunmetal (629373GUM)
- Visible parts in Black - Puro (629373PUR)
- Manual drain kit (629372)
- Amur (629014)
- Ladon (629016)
- Comfopush, CHR (629891CHR)
- Comfopush, EDM (629891EDM)
- Wastecap (628152)

MODULE

CRISTADUR® GREEN LINE

- KALM175M DAY
- KALM175M DSK
- KALM175M NGT
- KALM175M TWI

Note: When installing the Kallio M-100 model, the worktop needs to be 5 mm longer on both sides because the sink is tapered.

Note: When installing the Kallio M-175 model, the worktop needs to be 5 mm longer on both sides because the sink is tapered.



EDO

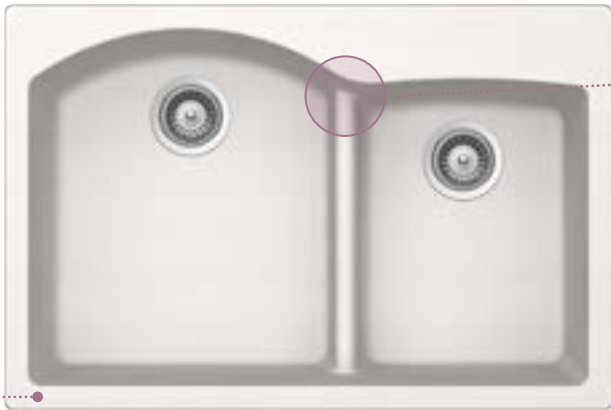
Tap model **Vitus** in Solid Stainless Steel on sink model **Edo N-175Y** in Magma



N-175



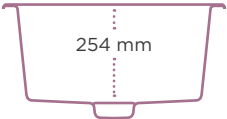
N-175Y



Recessed separator

Two installation options
Same base cabinet for inset and
undermount installation

Deep bowl
(e.g. for filling tall vases or pots & pans)



More accessories on p. 216

Silicone drain
mat



Wastecap



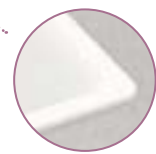
Corner
dish





GALAXY

Tap model **Hekate** in White on sink model **Galaxy N-100** in Polaris



Tight corners - modern look

Two installation options
Same base cabinet for inset and undermount installation

Deep bowl
(e.g. for filling tall vases or pots & pans)



More accessories on p. 216

Silicone drain mat



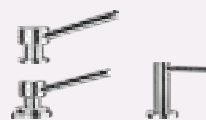
Wastecap



Trim



Soap dispenser



N-100
N-100L

Comfopush



Corner dish

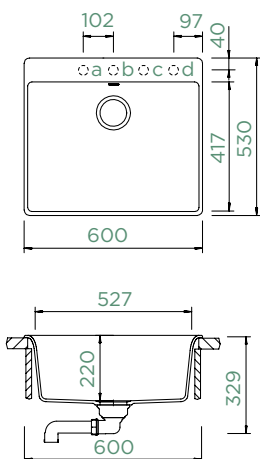




GALAXY N-100

TOPMOUNT/UNDERMOUNT

Cabinet size: **60 cm**
 Inner dimension of the bowl:
527 × 417 × 220 mm
 Installation: **fixed**
 Cut-out size topmount:
580 × 510 mm
 Cut-out size undermount:
584 × 514 mm



Accessories:

- Automatic drain kit (629324PD)
- Visible parts in stainless steel (629324EDM)
- Visible parts in White Gold (629324WGO)
- Visible parts in Copper (629324COP)
- Visible parts in Gunmetal (629324GUM)
- Visible parts in Black - Puro (629324PUR)
- Manual drain kit (629323)
- Silicone Drain Mat (629188)
- Silicone Drain Mat Short (629189)
- Corner bowl (629733)
- Amur (629014)
- Ladon (629016)

- Samo CHR (629169CHR)
- Samo EDM (629169EDM)
- Samo WGO (629169WGO)
- Samo COP (629169COP)
- Samo GUM (629169GUM)
- Samo PUR (629169S)
- Comfopush, CHR (629891CHR)
- Comfopush, EDM (629891EDM)
- Wastecap (628152)

TOPMOUNT

UNDERMOUNT

CRISTADUR® CLASSIC LINE

- GAXN100A PUR
- GAXN100A MAG
- GAXN100A CAR
- GAXN100A STO
- GAXN100A BRO
- GAXN100A SIL
- GAXN100A MGL
- GAXN100A POL

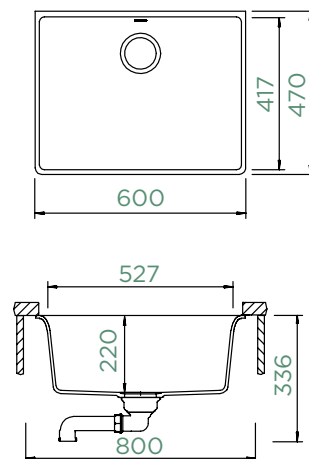
- GAXN100U PUR
- GAXN100U MAG
- GAXN100U CAR
- GAXN100U STO
- GAXN100U BRO
- GAXN100U SIL
- GAXN100U MGL
- GAXN100U POL



GALAXY N-100Y

UNDERMOUNT

Cabinet size: **80 cm**
 Inner dimension of the bowl:
527 × 417 × 220 mm
 Installation: **fixed**
 Cut-out size undermount:
584 × 446 mm



Accessories:

- Automatic drain kit (629324PD)
- Visible parts in stainless steel (629324EDM)
- Visible parts in White Gold (629324WGO)
- Visible parts in Copper (629324COP)
- Visible parts in Gunmetal (629324GUM)
- Visible parts in Black - Puro (629324PUR)
- Manual drain kit (629323)
- Silicone Drain Mat (629188)
- Silicone Drain Mat Short (629189)
- Corner bowl (629733)
- Amur (629014)
- Ladon (629016)

- Comfopush, EDM (629891EDM)
- Comfopush, CHR (629891CHR)
- Wastecap (628152)

UNDERMOUNT

CRISTADUR® CLASSIC LINE

- GAXN100YU PUR
- GAXN100YU MAG
- GAXN100YU CAR
- GAXN100YU STO
- GAXN100YU BRO
- GAXN100YU SIL
- GAXN100YU MGL
- GAXN100YU POL



GALAXY N-100L

TOPMOUNT/UNDERMOUNT

Cabinet size: **80 cm**

Inner dimension of the bowl:

636 × 413 × 220 mm

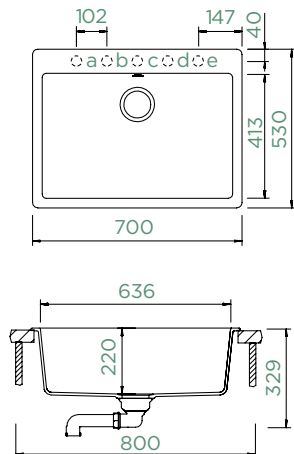
Installation: **fixed**

Cut-out size topmount:

680 × 510 mm

Cut-out size undermount:

684 × 514 mm



Accessories:

Automatic drain kit (629324PD)

Visible parts in stainless steel (629324EDM)

Visible parts in White Gold (629324WGO)

Visible parts in Copper (629324COP)

Visible parts in Gunmetal (629324GUM)

Visible parts in Black - Puro (629324PUR)

Manual drain kit (629323)

Silicone Drain Mat (629188)

Silicone Drain Mat Short (629189)

Corner bowl (629733)

Amur (629014)

Ladon (629016)

Samo CHR (629169CHR)

Samo EDM (629169EDM)

Samo WGO (629169WGO)

Samo COP (629169COP)

Samo GUM (629169GUM)

Samo PUR (629169S)

Comfopush, CHR (629891CHR)

Comfopush, EDM (629891EDM)

Wastecap (628152)



GALAXY N-100LY

UNDERMOUNT

Cabinet size: **80 cm**

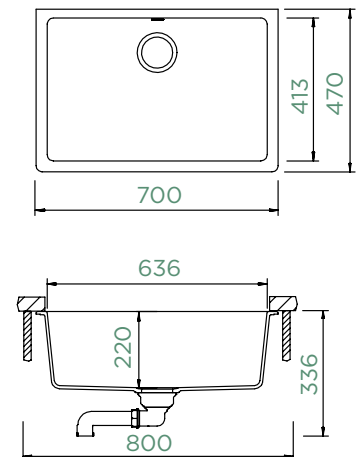
Inner dimension of the bowl:

636 × 413 × 220 mm

Installation: **fixed**

Cut-out size undermount:

656 × 433 mm



Accessories:

Automatic drain kit (629324PD)

Visible parts in stainless steel (629324EDM)

Visible parts in White Gold (629324WGO)

Visible parts in Copper (629324COP)

Visible parts in Gunmetal (629324GUM)

Visible parts in Black - Puro (629324PUR)

Manual drain kit (629323)

Silicone Drain Mat (629188)

Silicone Drain Mat Short (629189)

Corner bowl (629733)

Amur (629014)

Ladon (629016)

Comfopush, CHR (629891CHR)

Comfopush, EDM (629891EDM)

Wastecap (628152)

TOPMOUNT

UNDERMOUNT

CRISTADUR® CLASSIC LINE

- GAXN100LA PUR
- GAXN100LA MAG
- GAXN100LA CAR
- GAXN100LA STO
- GAXN100LA BRO
- GAXN100LA SIL
- GAXN100LA MGL
- GAXN100LA POL

- GAXN100LU PUR
- GAXN100LU MAG
- GAXN100LU CAR
- GAXN100LU STO
- GAXN100LU BRO
- GAXN100LU SIL
- GAXN100LU MGL
- GAXN100LU POL

UNDERMOUNT

CRISTADUR® CLASSIC LINE

- GAXN100LYU PUR
- GAXN100LYU MAG
- GAXN100LYU CAR
- GAXN100LYU STO
- GAXN100LYU BRO
- GAXN100LYU SIL
- GAXN100LYU MGL
- GAXN100LYU POL

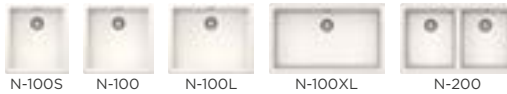




GREENWICH

Tap model **Sina** in Solid Stainless Steel on sink model **Greenwich N-100L** in Stone

Wide choice of designs



Patented Perfect Drain
for less places where dirt can linger and more colour in the sink

Tight corners - modern look

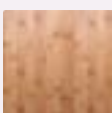
N-100XL and N-200 with lip
for hanging and laying multifunctional accessories

Deep bowl
e.g. for filling tall vases or pots & pans

200 mm

More accessories on p. 216

Chopping board



N-100XL
N-200

(629158)

Silicone drain mat



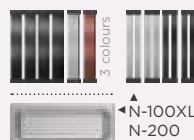
Functional bowl



N-100S
N-100
N-100L

(629111)

Drain rack, Gastronorm



N-100XL
N-200

Trim



Soap dispenser



Comfopush Corner dish

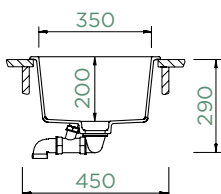
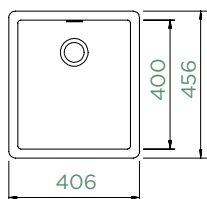




GREENWICH N-100S

TOPMOUNT/UNDERMOUNT

Cabinet size: **45 cm**
 Inner dimension of the bowl:
350 × 400 × 200 mm
 Installation: **fixed**
 Cut-out size topmount:
392 × 442 mm
 Cut-out size undermount:
350 × 400 mm



Accessories:

- Automatic drain kit (629392PD)
- Visible parts in stainless steel (629392EDM)
- Visible Parts in White Gold (629392WGO)
- Visible Parts in Copper (629392COP)
- Visible parts in Gunmetal (629392GUM)
- Visible parts in Black - Puro (629392PUR)
- Manual drain kit (629322)
- 2x2 Design Drip Rack (629724S)
- 2x2 Design Drip Rack (629724EDM)
- Strainer bowl (629111)
- Corner bowl (629733)
- Silicone Drain Mat (629188)

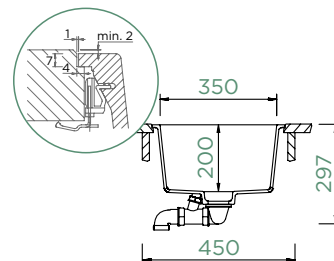
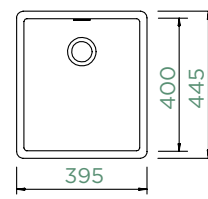
- Silicone Drain Mat Short (629189)
- Comfopush, CHR (629891CHR)
- Comfopush, EDM (629891EDM)



GREENWICH N-100S

FLUSHMOUNT

Cabinet size: **45 cm**
 Inner dimension of the bowl:
350 × 400 × 200 mm
 Installation: **fixed**
 Cut-out size flushmount:
397 × 447 mm



Accessories:

- Automatic drain kit (629392PD)
- Visible parts in stainless steel (629392EDM)
- Visible Parts in White Gold (629392WGO)
- Visible Parts in Copper (629392COP)
- Visible parts in Gunmetal (629392GUM)
- Visible parts in Black - Puro (629392PUR)
- Manual drain kit (629322)
- 2x2 Design Drip Rack (629724S)
- 2x2 Design Drip Rack (629724EDM)
- Strainer bowl (629111)
- Corner bowl (629733)
- Silicone Drain Mat (629188)

- Silicone Drain Mat Short (629189)
- Comfopush, CHR (629891CHR)
- Comfopush, EDM (629891EDM)

TOPMOUNT

UNDERMOUNT

CRISTADUR® CLASSIC LINE

- GREN100SA PUR
- GREN100SA MAG
- GREN100SA CAR
- GREN100SA STO
- GREN100SA BRO
- GREN100SA SIL
- GREN100SA MGL
- GREN100SA POL

- GREN100SU PUR
- GREN100SU MAG
- GREN100SU CAR
- GREN100SU STO
- GREN100SU BRO
- GREN100SU SIL
- GREN100SU MGL
- GREN100SU POL

FLUSHMOUNT

CRISTADUR® CLASSIC LINE

- GREN100SFB PUR
- GREN100SFB MAG
- GREN100SFB CAR
- GREN100SFB STO
- GREN100SFB BRO
- GREN100SFB SIL
- GREN100SFB MGL
- GREN100SFB POL



GREENWICH N-100

TOPMOUNT/UNDERMOUNT

Cabinet size: **50 cm**

Inner dimension of the bowl:

400 × 400 × 200 mm

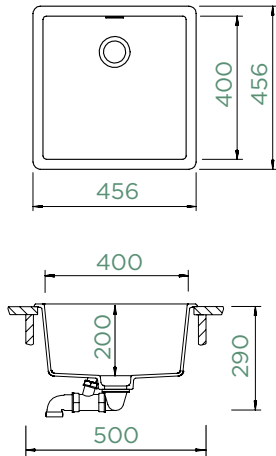
Installation: **fixed**

Cut-out size topmount:

442 × 442 mm

Cut-out size undermount:

400 × 400 mm



Accessories:

Automatic drain kit (629392PD)
 Visible parts in stainless steel (629392EDM)
 Visible Parts in White Gold (629392WGO)
 Visible Parts in Copper (629392COP)
 Visible parts in Gunmetal (629392GUM)
 Visible parts in Black - Puro (629392PUR)
 Manual drain kit (629322)
 2x2 Design Drip Rack (629724S)
 2x2 Design Drip Rack (629724EDM)
 Strainer bowl (629111)
 Corner bowl (629733)
 Silicone Drain Mat (629188)

Silicone Drain Mat Short (629189)
 Comfopush, CHR (629891CHR)
 Comfopush, EDM (629891EDM)

TOPMOUNT

UNDERMOUNT

CRISTADUR® CLASSIC LINE

● GREN100A PUR	GREN100U PUR
● GREN100A MAG	GREN100U MAG
● GREN100A CAR	GREN100U CAR
● GREN100A STO	GREN100U STO
● GREN100A BRO	GREN100U BRO
● GREN100A SIL	GREN100U SIL
○ GREN100A MGL	GREN100U MGL
○ GREN100A POL	GREN100U POL



GREENWICH N-100

FLUSHMOUNT

Cabinet size: **50 cm**

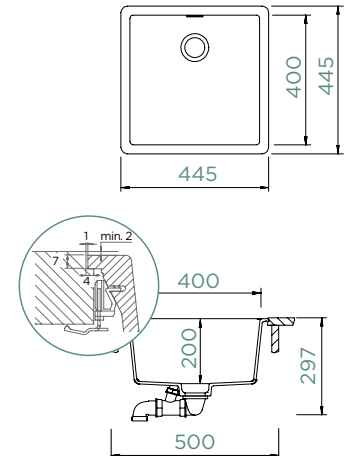
Inner dimension of the bowl:

400 × 400 × 200 mm

Installation: **fixed**

Cut-out size flushmount:

447 × 447 mm



Accessories:

Automatic drain kit (629392PD)
 Visible parts in stainless steel (629392EDM)
 Visible Parts in White Gold (629392WGO)
 Visible Parts in Copper (629392COP)
 Visible parts in Gunmetal (629392GUM)
 Visible parts in Black - Puro (629392PUR)
 Manual drain kit (629322)
 2x2 Design Drip Rack (629724S)
 2x2 Design Drip Rack (629724EDM)
 Strainer bowl (629111)
 Corner bowl (629733)
 Silicone Drain Mat (629188)

Silicone Drain Mat Short (629189)
 Comfopush, CHR (629891CHR)
 Comfopush, EDM (629891EDM)

FLUSHMOUNT

CRISTADUR® CLASSIC LINE

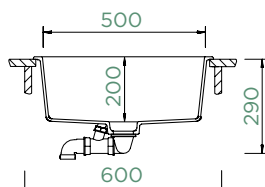
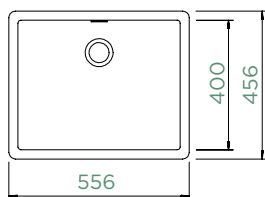
● GREN100FB PUR
● GREN100FB MAG
● GREN100FB CAR
● GREN100FB STO
● GREN100FB BRO
● GREN100FB SIL
○ GREN100FB MGL
○ GREN100FB POL



GREENWICH N-100L

TOPMOUNT/UNDERMOUNT

Cabinet size: **60 cm**
 Inner dimension of the bowl:
500 × 400 × 200 mm
 Installation: **fixed**
 Cut-out size topmount:
542 × 442 mm
 Cut-out size undermount:
500 × 400 mm



Accessories:

- Automatic drain kit (629392PD)
- Visible parts in stainless steel (629392EDM)
- Visible Parts in White Gold (629392WGO)
- Visible Parts in Copper (629392COP)
- Visible parts in Gunmetal (629392GUM)
- Visible parts in Black - Puro (629392PUR)
- Manual drain kit (629322)
- 2x2 Design Drip Rack (629724S)
- 2x2 Design Drip Rack (629724EDM)
- Strainer bowl (629111)
- Corner bowl (629733)
- Silicone Drain Mat (629188)

- Silicone Drain Mat Short (629189)
- Comfopush, CHR (629891CHR)
- Comfopush, EDM (629891EDM)

TOPMOUNT

UNDERMOUNT

CRISTADUR® CLASSIC LINE

- GREN100LA PUR
- GREN100LA MAG
- GREN100LA CAR
- GREN100LA STO
- GREN100LA BRO
- GREN100LA SIL
- GREN100LA MGL
- GREN100LA POL

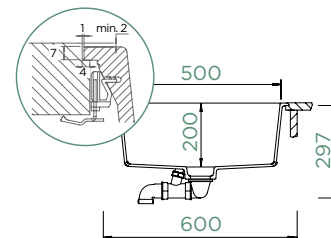
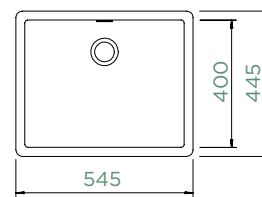
- GREN100LU PUR
- GREN100LU MAG
- GREN100LU CAR
- GREN100LU STO
- GREN100LU BRO
- GREN100LU SIL
- GREN100LU MGL
- GREN100LU POL



GREENWICH N-100L

FLUSHMOUNT

Cabinet size: **60 cm**
 Inner dimension of the bowl:
500 × 400 × 200 mm
 Installation: **fixed**
 Cut-out size flushmount:
547 × 447 mm



Accessories:

- Automatic drain kit (629392PD)
- Visible parts in stainless steel (629392EDM)
- Visible Parts in White Gold (629392WGO)
- Visible Parts in Copper (629392COP)
- Visible parts in Gunmetal (629392GUM)
- Visible parts in Black - Puro (629392PUR)
- Manual drain kit (629322)
- 2x2 Design Drip Rack (629724S)
- 2x2 Design Drip Rack (629724EDM)
- Strainer bowl (629111)
- Corner bowl (629733)
- Silicone Drain Mat (629188)

- Silicone Drain Mat Short (629189)
- Comfopush, CHR (629891CHR)
- Comfopush, EDM (629891EDM)

FLUSHMOUNT

CRISTADUR® CLASSIC LINE

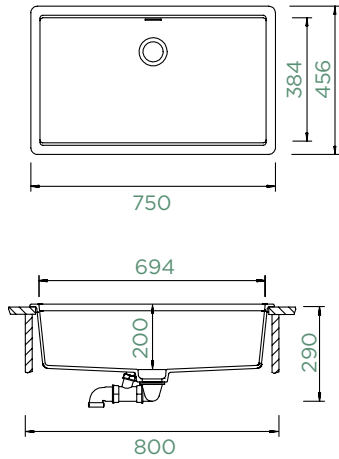
- GREN100LFB PUR
- GREN100LFB MAG
- GREN100LFB CAR
- GREN100LFB STO
- GREN100LFB BRO
- GREN100LFB SIL
- GREN100LFB MGL
- GREN100LFB POL



GREENWICH N-100XL

TOPMOUNT/UNDERMOUNT

Cabinet size: **80 cm**
 Inner dimension of the bowl:
694 × 384 × 200 mm
 Installation: **fixed**
 Cut-out size topmount:
736 × 442 mm
 Cut-out size undermount:
694 × 400 mm



Accessories:

- Automatic drain kit (629392PD)
- Visible parts in stainless steel (629392EDM)
- Visible Parts in White Gold (629392WGO)
- Visible Parts in Copper (629392COP)
- Visible parts in Gunmetal (629392GUM)
- Visible parts in Black - Puro (629392PUR)
- Manual drain kit (629322)
- Chopping board, wood (629158)
- Design Drip Rack (629726S)
- Design Drip Rack (629726EDM)
- Design Drip Rack (629726COP)
- 2x2 Design Drip Rack (629724S)

- 2x2 Design Drip Rack (629724EDM)
- Corner bowl (629733)
- Carrier (629146)
- Gastronorm Container GN 2/8 (629060)
- Gastronorm Container GN 2/8 (629061)
- Gastronorm Container GN 2/3 (629063)
- Silicone Drain Mat (629188)
- Silicone Drain Mat Short (629189)
- Comfopush, CHR (629891CHR)
- Comfopush, EDM (629891EDM)

TOPMOUNT

UNDERMOUNT

CRISTADUR® CLASSIC LINE

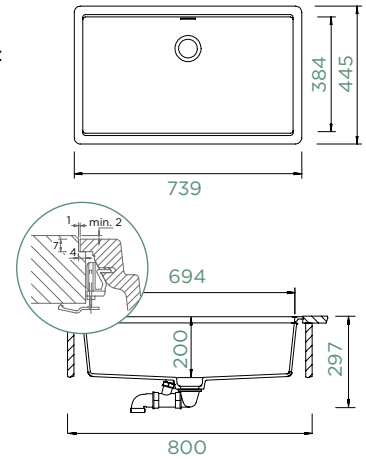
- | | |
|------------------|----------------|
| ● GREN100XLA PUR | GREN100XLU PUR |
| ● GREN100XLA MAG | GREN100XLU MAG |
| ● GREN100XLA CAR | GREN100XLU CAR |
| ● GREN100XLA STO | GREN100XLU STO |
| ● GREN100XLA BRO | GREN100XLU BRO |
| ● GREN100XLA SIL | GREN100XLU SIL |
| ○ GREN100XLA MGL | GREN100XLU MGL |
| ○ GREN100XLA POL | GREN100XLU POL |



GREENWICH N-100XL

FLUSHMOUNT

Cabinet size: **80 cm**
 Inner dimension of the bowl:
694 × 384 × 200 mm
 Installation: **fixed**
 Cut-out size flushmount:
741 × 447 mm



Accessories:

- Automatic drain kit (629392PD)
- Visible parts in stainless steel (629392EDM)
- Visible Parts in White Gold (629392WGO)
- Visible Parts in Copper (629392COP)
- Visible parts in Gunmetal (629392GUM)
- Visible parts in Black - Puro (629392PUR)
- Manual drain kit (629322)
- Chopping board, wood (629158)
- Design Drip Rack (629726S)
- Design Drip Rack (629726EDM)
- Design Drip Rack (629726COP)
- 2x2 Design Drip Rack (629724S)

- 2x2 Design Drip Rack (629724EDM)
- Corner bowl (629733)
- Carrier (629146)
- Gastronorm Container GN 2/8 (629060)
- Gastronorm Container GN 2/8 (629061)
- Gastronorm Container GN 2/3 (629063)
- Silicone Drain Mat (629188)
- Silicone Drain Mat Short (629189)
- Comfopush, CHR (629891CHR)
- Comfopush, EDM (629891EDM)

FLUSHMOUNT

CRISTADUR® CLASSIC LINE

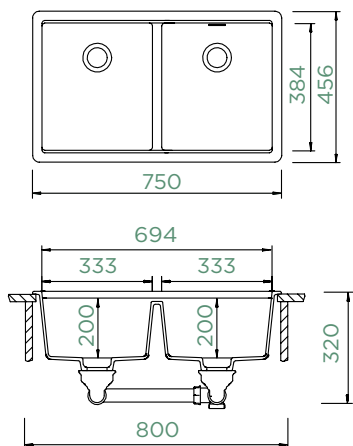
- | |
|-------------------|
| ● GREN100XLFB PUR |
| ● GREN100XLFB MAG |
| ● GREN100XLFB CAR |
| ● GREN100XLFB STO |
| ● GREN100XLFB BRO |
| ● GREN100XLFB SIL |
| ○ GREN100XLFB MGL |
| ○ GREN100XLFB POL |



GREENWICH N-200

TOPMOUNT/UNDERMOUNT

Cabinet size: **80 cm**
 Inner dimension of the bowl:
333 × 384 × 200 mm
 Installation: **fixed**
 Cut-out size topmount:
736 × 442 mm
 Cut-out size undermount:
694 × 400 mm



Accessories:

- Automatic drain kit (629897PD)
- Visible parts in stainless steel (629897EDM)
- Visible Parts in White Gold (629897WGO)
- Visible Parts in Copper (629897COP)
- Visible parts in Gunmetal (629897GUM)
- Visible Parts in Black - Puro (629897PUR)
- Manual drain kit (629896)
- Chopping board, wood (629158)
- Design Drip Rack (629726S)
- Design Drip Rack (629726EDM)
- Design Drip Rack (629726COP)
- 2x2 Design Drip Rack (629738S)

- 2x2 Design Drip Rack (629738EDM)
- Corner bowl (629733)
- Carrier (629146)
- Gastronorm Container GN 2/8 (629060)
- Gastronorm Container GN 2/3 (629063)
- Silicone Drain Mat (629188)
- Silicone Drain Mat Short (629189)
- Comfopush, CHR (629891CHR)
- Comfopush, EDM (629891EDM)

TOPMOUNT

UNDERMOUNT

CRISTADUR® CLASSIC LINE

- GREN200A PUR
- GREN200A MAG
- GREN200A CAR
- GREN200A STO
- GREN200A BRO
- GREN200A SIL
- GREN200A MGL
- GREN200A POL

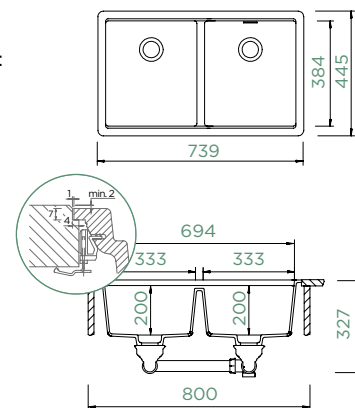
- GREN200U PUR
- GREN200U MAG
- GREN200U CAR
- GREN200U STO
- GREN200U BRO
- GREN200U SIL
- GREN200U MGL
- GREN200U POL



GREENWICH N-200

FLUSHMOUNT

Cabinet size: **80 cm**
 Inner dimension of the bowl:
333 × 384 × 200 mm
 Installation: **fixed**
 Cut-out size flushmount:
741 × 447 mm



Accessories:

- Automatic drain kit (629897PD)
- Visible parts in stainless steel (629897EDM)
- Visible Parts in White Gold (629897WGO)
- Visible Parts in Copper (629897COP)
- Visible parts in Gunmetal (629897GUM)
- Visible Parts in Black - Puro (629897PUR)
- Manual drain kit (629896)
- Chopping board, wood (629158)
- Design Drip Rack (629726S)
- Design Drip Rack (629726EDM)
- Design Drip Rack (629726COP)
- 2x2 Design Drip Rack (629738S)

- 2x2 Design Drip Rack (629738EDM)
- Corner bowl (629733)
- Carrier (629146)
- Gastronorm Container GN 2/8 (629060)
- Gastronorm Container GN 2/3 (629063)
- Silicone Drain Mat (629188)
- Silicone Drain Mat Short (629189)
- Comfopush, CHR (629891CHR)
- Comfopush, EDM (629891EDM)

FLUSHMOUNT

CRISTADUR® CLASSIC LINE

- GREN200FB PUR
- GREN200FB MAG
- GREN200FB CAR
- GREN200FB STO
- GREN200FB BRO
- GREN200FB SIL
- GREN200FB MGL
- GREN200FB POL



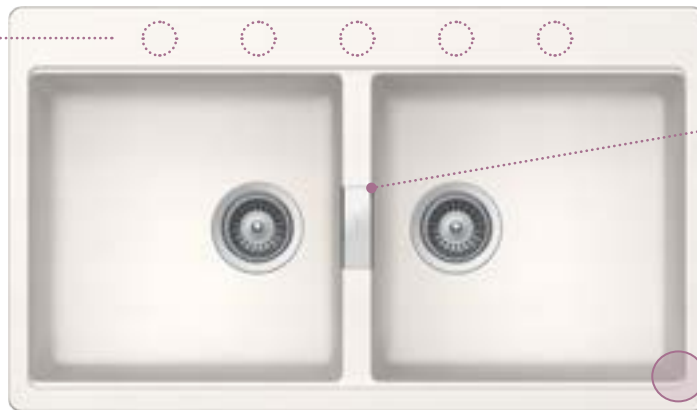
HORIZONT

Tap model **Papilio** in Puro in White on sink model **Horizont N-200** in Puro



N-200

Integrated tap ledge with additional holes for ergonomic positioning of tap, soap dispenser and pop-up control



Designer overflow



Integrated lip for hanging and laying multifunctional accessories

More accessories on p. 216

Fibre-Rock chopping board



(629184)

Chopping board



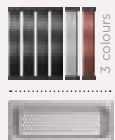
(629158)

Functional bowl



(629051SH)

Drain rack, Gastronorm



3 colours

2 colours

Trim



Soap dispenser



Comfopush Corner dish

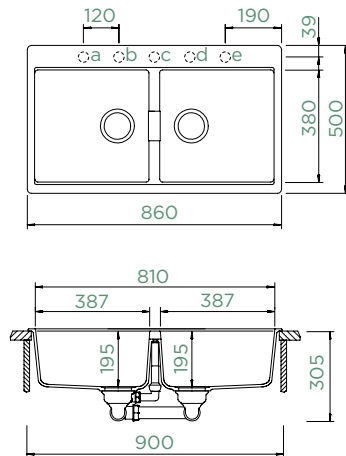




HORIZONT N-200

TOPMOUNT/UNDERMOUNT

Cabinet size: **90 cm**
 Inner dimension of the bowl:
387 × 380 × 195 mm
 Installation: **fixed**
 Cut-out size topmount:
840 × 480 mm
 Cut-out size undermount:
846 × 486 mm



Accessories:

- Automatic drain kit (629373PD)
- Visible parts in stainless steel (629373EDM)
- Visible parts in White Gold (629373WGO)
- Visible parts in Copper (629373COP)
- Visible parts in Gunmetal (629373GUM)
- Visible parts in Black - Puro (629373PUR)
- Manual drain kit (629372)
- Chopping board, wood (629158)
- Chopping board, bamboo (629044)
- Chopping board Fibre-Rock (629184)
- Design Drip Rack (629726S)
- Design Drip Rack (629726EDM)
- Design Drip Rack (629726COP)
- 2x2 Design Drip Rack (629738S)
- 2x2 Design Drip Rack (629738EDM)
- Strainer bowl (629051SH)
- Corner bowl (629733)
- Carrier (629146)

- Gastronorm Container GN 2/8 (629060)
- Gastronorm Container GN 2/8 (629061)
- Gastronorm Container GN 2/3 (629063)
- Amur (629014)
- Ladon (629016)
- Samo CHR (629169CHR)
- Samo EDM (629169EDM)
- Samo WGO (629169WGO)
- Samo COP (629169COP)
- Samo GUM (629169GUM)
- Samo PUR (629169S)
- Comfopush, CHR (629891CHR)
- Comfopush, EDM (629891EDM)
- Wastecap (628152)

TOPMOUNT

UNDERMOUNT

CRISTADUR® CLASSIC LINE

- HONN200A PUR
- HONN200A MAG
- HONN200A STO
- HONN200A BRO
- HONN200A SIL
- HONN200A POL

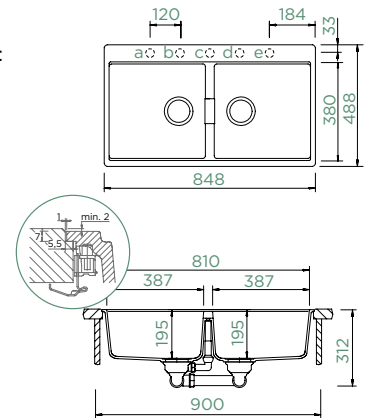
- HONN200U PUR
- HONN200U MAG
- HONN200U STO
- HONN200U BRO
- HONN200U SIL
- HONN200U POL



HORIZONT N-200

FLUSHMOUNT

Cabinet size: **90 cm**
 Inner dimension of the bowl:
387 × 380 × 195 mm
 Installation: **fixed**
 Cut-out size flushmount:
850 × 490 mm



Accessories:

- Automatic drain kit (629373PD)
- Visible parts in stainless steel (629373EDM)
- Visible parts in White Gold (629373WGO)
- Visible parts in Copper (629373COP)
- Visible parts in Gunmetal (629373GUM)
- Visible parts in Black - Puro (629373PUR)
- Manual drain kit (629372)
- Chopping board, wood (629158)
- Chopping board, bamboo (629044)
- Chopping board Fibre-Rock (629184)
- Design Drip Rack (629726S)
- Design Drip Rack (629726EDM)
- Design Drip Rack (629726COP)
- 2x2 Design Drip Rack (629738S)
- 2x2 Design Drip Rack (629738EDM)
- Strainer bowl (629051SH)
- Corner bowl (629733)
- Carrier (629146)

- Gastronorm Container GN 2/8 (629060)
- Gastronorm Container GN 2/8 (629061)
- Gastronorm Container GN 2/3 (629063)
- Amur (629014)
- Ladon (629016)
- Samo CHR (629169CHR)
- Samo EDM (629169EDM)
- Samo WGO (629169WGO)
- Samo COP (629169COP)
- Samo GUM (629169GUM)
- Samo PUR (629169S)
- Comfopush, CHR (629891CHR)
- Comfopush, EDM (629891EDM)
- Wastecap (628152)

FLUSHMOUNT

CRISTADUR® CLASSIC LINE

- HONN200FB PUR
- HONN200FB MAG
- HONN200FB STO
- HONN200FB BRO
- HONN200FB SIL
- HONN200FB POL



KIRUNA

Tap model **Kavus** in Solid Stainless Steel on sink model **Kiruna N-100L** in Dusk



Two installation options
Same base cabinet for inset and
undermount installation



Tight corners –
modern look



Integrated lip
for hanging and
laying multifunctional
accessories



Pure CRISTADUR® Green Line range

More accessories on p. 216

Chopping
board

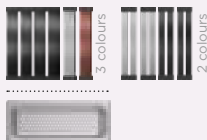


(629158)

Silicone drain
mat



Drain rack,
Gastronorm



Trim



Soap dispenser



Comfopush
Corner dish





KIRUNA N-100

TOPMOUNT/UNDERMOUNT

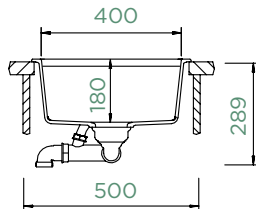
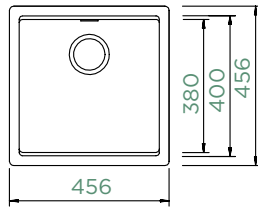


KIRUNA N-100L

TOPMOUNT/UNDERMOUNT



Cabinet size: **50 cm**
 Inner dimension of the bowl:
400 × 400 × 180 mm
 Installation: **fixed**
 Cut-out size topmount:
442 × 442 mm
 Cut-out size undermount:
406 × 406 mm

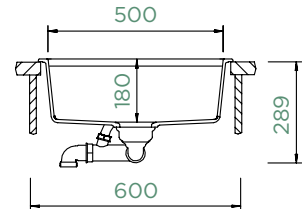
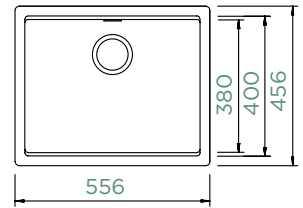


Accessories:

- Automatic drain kit (629307SG)
- Visible parts in stainless steel (629307EDM)
- Visible Parts in White Gold (629307WGO)
- Visible Parts in Copper (629307COP)
- Visible parts in Gunmetal (629307GUM)
- Visible Parts in Black - Puro (629307PUR)
- Manual drain kit (629309)
- Silicone Drain Mat (629188)
- Silicone Drain Mat Short (629189)
- Design Drip Rack (629726S)
- Design Drip Rack (629726EDM)
- Design Drip Rack (629726COP)
- 2x2 Design Drip Rack (629738S)

- 2x2 Design Drip Rack (629738EDM)
- Carrier (629146)
- Gastronorm Container GN 2/8 (629060)
- Gastronorm Container GN 2/8 (629061)
- Gastronorm Container GN 2/3 (629063)
- Corner bowl (629733)
- Amur (629014)
- Ladon (629016)
- Comfopush, CHR (629891CHR)
- Comfopush, EDM (629891EDM)
- Wastecap (628152)

Cabinet size: **60 cm**
 Inner dimension of the bowl:
500 × 400 × 180 mm
 Installation: **fixed**
 Cut-out size topmount:
542 × 442 mm
 Cut-out size undermount:
506 × 406 mm



Accessories:

- Automatic drain kit (629307SG)
- Visible parts in stainless steel (629307EDM)
- Visible Parts in White Gold (629307WGO)
- Visible Parts in Copper (629307COP)
- Visible parts in Gunmetal (629307GUM)
- Visible Parts in Black - Puro (629307PUR)
- Manual drain kit (629309)
- Chopping board, wood (629158)
- Silicone Drain Mat (629188)
- Silicone Drain Mat Short (629189)
- Design Drip Rack (629726S)
- Design Drip Rack (629726EDM)
- Design Drip Rack (629726COP)
- 2x2 Design Drip Rack (629738S)

- 2x2 Design Drip Rack (629738EDM)
- Carrier (629146)
- Gastronorm Container GN 2/8 (629060)
- Gastronorm Container GN 2/8 (629061)
- Gastronorm Container GN 2/3 (629063)
- Corner bowl (629733)
- Amur (629014)
- Ladon (629016)
- Comfopush, CHR (629891CHR)
- Comfopush, EDM (629891EDM)
- Wastecap (628152)

TOPMOUNT

UNDERMOUNT

CRISTADUR® GREEN LINE

- | | |
|----------------|--------------|
| ○ KIRN100A DAY | KIRN100U DAY |
| ● KIRN100A DSK | KIRN100U DSK |
| ● KIRN100A NGT | KIRN100U NGT |
| ● KIRN100A TWI | KIRN100U TWI |

TOPMOUNT

UNDERMOUNT

CRISTADUR® GREEN LINE

- | | |
|-----------------|---------------|
| ○ KIRN100LA DAY | KIRN100LU DAY |
| ● KIRN100LA DSK | KIRN100LU DSK |
| ● KIRN100LA NGT | KIRN100LU NGT |
| ● KIRN100LA TWI | KIRN100LU TWI |



KIRUNA N-100XL

TOPMOUNT/UNDERMOUNT

NEW

Cabinet size: **80 cm**

Inner dimension of the bowl:

700 × 400 × 180 mm

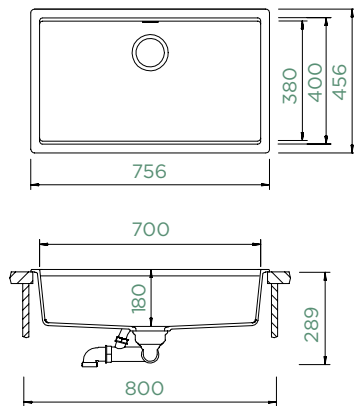
Installation: **fixed**

Cut-out size topmount:

742 × 442 mm

Cut-out size undermount:

706 × 406 mm



Accessories:

Automatic drain kit (629307SG)

Visible parts in stainless steel
(629307EDM)

Visible Parts in White Gold
(629307WGO)

Visible Parts in Copper (629307COP)

Visible parts in Gunmetal (629307GUM)

Visible Parts in Black - Puro (629307PUR)

Manual drain kit (629309)

Chopping board, wood (629158)

Silicone Drain Mat (629188)

Silicone Drain Mat Short (629189)

Design Drip Rack (629726S)

Design Drip Rack (629726EDM)

Design Drip Rack (629726COP)

2x2 Design Drip Rack (629738S)

2x2 Design Drip Rack (629738EDM)

Carrier (629146)

Gastronorm Container GN 2/8 (629060)

Gastronorm Container GN 2/8 (629061)

Gastronorm Container GN 2/3 (629063)

Corner bowl (629733)

Amur (629014)

Ladon (629016)

Comfopush, CHR (629891CHR)

Comfopush, EDM (629891EDM)

Wastecap (628152)

TOPMOUNT

UNDERMOUNT

CRISTADUR® GREEN LINE

- KIRN100XLA DAY
- KIRN100XLA DSK
- KIRN100XLA NGT
- KIRN100XLA TWI

- KIRN100XLU DAY
- KIRN100XLU DSK
- KIRN100XLU NGT
- KIRN100XLU TWI





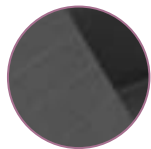


LOTUS

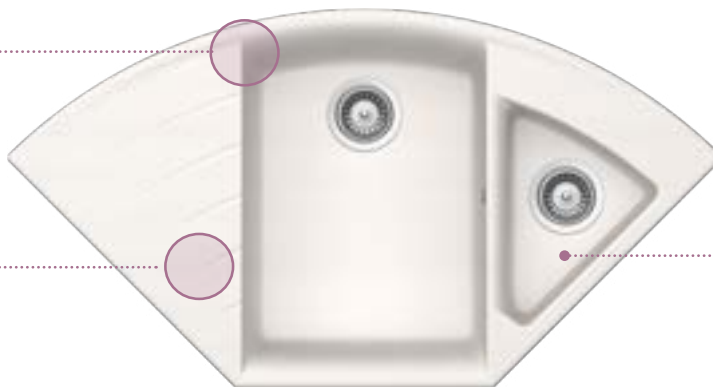
Tap model **Laios** in Solid Stainless Steel on sink model **Lotus C-150** in Polaris



Smooth contours that are even easier to clean



Narrow drainer grooves to help the water run off and make the sink easy to keep clean



Practical second bowl perfect for holding a multifunctional bowl or pouring away liquids

More accessories on p. 216

Functional bowl



Trim



Soap dispenser



Comfopush



Wastecap





LOTUS C-150

TOPMOUNT/UNDERMOUNT

Cabinet size: **90 x 90 cm**

Inner dimension of the bowl:

369 x 463 x 192 mm

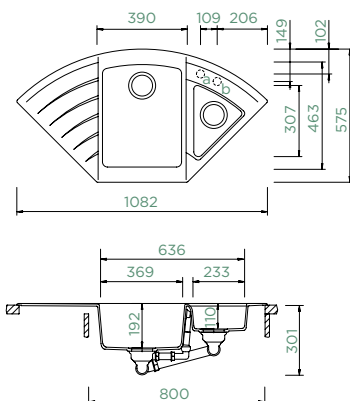
Installation: **bowl right**

Cut-out size topmount:

according to template

Cut-out size undermount:

Please use dxf data



Accessories:

Automatic drain kit (629349PD)

Visible parts in stainless steel

(629349EDM)

Visible parts in White Gold

(629349WGO)

Visible parts in Copper (629349COP)

Visible parts in Gunmetal (629349GUM)

Visible parts in Black - Puro (629349PUR)

Manual drain kit (629348)

Strainer bowl (629057)

Ladon (629016)

Comfopush, CHR (629891CHR)

Comfopush, EDM (629891EDM)

Wastecap (628152)

TOPMOUNT

UNDERMOUNT

CRISTADUR® CLASSIC LINE

- LOTC150A PUR
- LOTC150A MAG
- LOTC150A CAR
- LOTC150A STO
- LOTC150A BRO
- LOTC150A SIL
- LOTC150A MGL
- LOTC150A POL

- LOTC150U PUR
- LOTC150U MAG
- LOTC150U CAR
- LOTC150U STO
- LOTC150U BRO
- LOTC150U SIL
- LOTC150U MGL
- LOTC150U POL



MONO

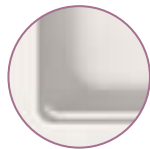
Tap model **Keto** in Copper on sink model **Mono D-100** in Carbonium

Wide choice of designs



With tap ledge on the side for under-window installation

As a round bowl



N-100S, N-100
Integrated lip for hanging and laying multifunctional accessories



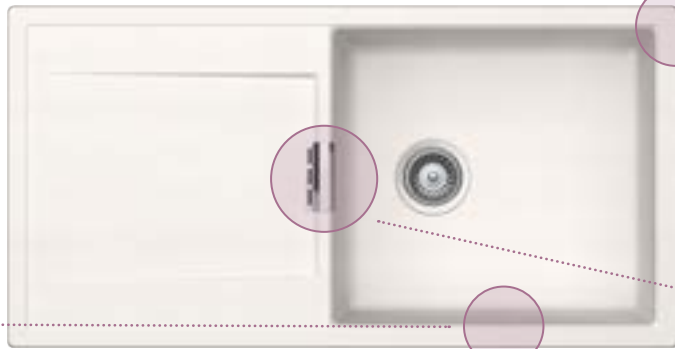
Tight corners – modern look



Purist design language with elegant bevels



Designer overflow



Also in **CRISTADUR®** Green Line

More accessories on p. 216

Chopping boards



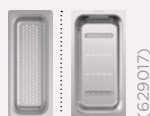
N-100S, N-100

Drain rack



D-100XS, D-100S, D-100, D-100L, D-150, D-200

Gastronorm Functional bowl

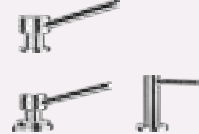


N-100S, N-100

Trim



Soap dispenser



Comfopush Corner dish



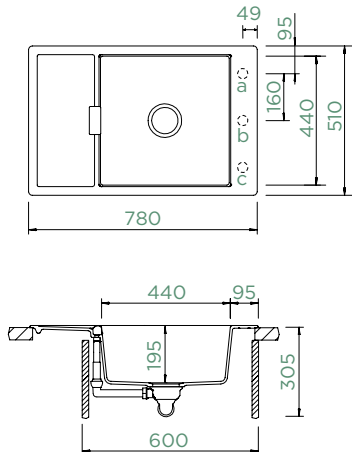
not for R-100



MONO D-100XS

TOPMOUNT/UNDERMOUNT

Cabinet size: **60 cm**
 Inner dimension of the bowl:
440 × 440 × 195 mm
 Installation: **reversible**
 Cut-out size topmount:
760 × 490 mm
 Cut-out size undermount:
764 × 494 mm
 Worktop for built-in
 dishwasher: **22 mm**



Accessories:

- Automatic drain kit (629385PD)
- Visible parts in stainless steel (629385EDM)
- Visible parts in White Gold (629385WGO)
- Visible parts in Copper (629385COP)
- Visible parts in Gunmetal (629385GUM)
- Visible parts in Black - Puro (629385PUR)
- Manual drain kit (629384)
- Chopping board, bamboo (629145)
- Carrier (629138)
- Design Drip Rack (629725S)
- Design Drip Rack (629725EDM)
- Design Drip Rack (629725COP)

- Corner bowl (629733)
- Amur (629014)
- Ladon (629016)
- Samo CHR (629169CHR)
- Samo EDM (629169EDM)
- Samo WGO (629169WGO)
- Samo COP (629169COP)
- Samo GUM (629169GUM)
- Samo PUR (629169S)
- Comfopush, CHR (629891CHR)
- Comfopush, EDM (629891EDM)
- Wastecap (628152)

TOPMOUNT

UNDERMOUNT

CRISTADUR® CLASSIC LINE

- MOND100XSA PUR
- MOND100XSA MAG
- MOND100XSA CAR
- MOND100XSA STO
- MOND100XSA BRO
- MOND100XSA SIL
- MOND100XSA MGL
- MOND100XSA POL
- MOND100XSA ROU

- MOND100XSU PUR
- MOND100XSU MAG
- MOND100XSU CAR
- MOND100XSU STO
- MOND100XSU BRO
- MOND100XSU SIL
- MOND100XSU MGL
- MOND100XSU POL
- MOND100XSU ROU

CRISTADUR® GREEN LINE

- MOND100XSA DAY
- MOND100XSA DSK
- MOND100XSA NGT
- MOND100XSA TWI

- MOND100XSU DAY
- MOND100XSU DSK
- MOND100XSU NGT
- MOND100XSU TWI

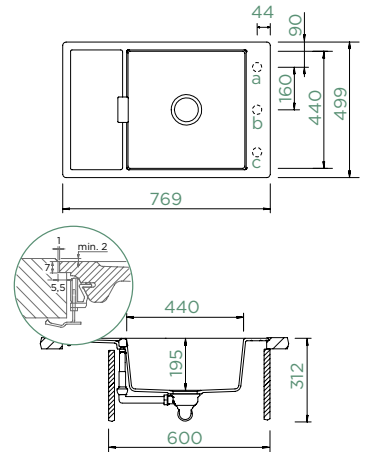
Note: The bamboo chopping board (629145) or the draining rack (629138) are best hung inside the sink parallel to the worktop.



MONO D-100XS

FLUSHMOUNT

Cabinet size: **60 cm**
 Inner dimension of the bowl:
440 × 440 × 195 mm
 Installation: **reversible**
 Cut-out size flushmount:
771 × 501 mm
 Worktop for built-in
 dishwasher: **30 mm**



Accessories:

- Automatic drain kit (629385PD)
- Visible parts in stainless steel (629385EDM)
- Visible parts in White Gold (629385WGO)
- Visible parts in Copper (629385COP)
- Visible parts in Gunmetal (629385GUM)
- Visible parts in Black - Puro (629385PUR)
- Manual drain kit (629384)
- Chopping board, bamboo (629145)
- Carrier (629138)
- Design Drip Rack (629725S)
- Design Drip Rack (629725EDM)
- Design Drip Rack (629725COP)

- Corner bowl (629733)
- Amur (629014)
- Ladon (629016)
- Samo CHR (629169CHR)
- Samo EDM (629169EDM)
- Samo WGO (629169WGO)
- Samo COP (629169COP)
- Samo GUM (629169GUM)
- Samo PUR (629169S)
- Comfopush, CHR (629891CHR)
- Comfopush, EDM (629891EDM)
- Wastecap (628152)

FLUSHMOUNT

CRISTADUR® CLASSIC LINE

- MOND100XSFB PUR
- MOND100XSFB MAG
- MOND100XSFB CAR
- MOND100XSFB STO
- MOND100XSFB BRO
- MOND100XSFB SIL
- MOND100XSFB MGL
- MOND100XSFB POL
- MOND100XSFB ROU

CRISTADUR® GREEN LINE

- MOND100XSFB DAY
- MOND100XSFB DSK
- MOND100XSFB NGT
- MOND100XSFB TWI

Note: The bamboo chopping board (629145) or the draining rack (629138) are best hung inside the sink parallel to the worktop.



MONO D-100S

TOPMOUNT/UNDERMOUNT

Cabinet size: **45 cm**

Inner dimension of the bowl:

340 × 440 × 195 mm

Installation: **reversible**

Cut-out size topmount:

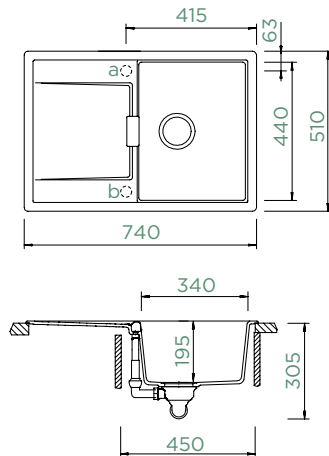
720 × 490 mm

Cut-out size undermount:

724 × 494 mm

Worktop for built-in

dishwasher: **27 mm**



Accessories:

Automatic drain kit (629385PD)

Visible parts in stainless steel
(629385EDM)

Visible parts in White Gold
(629385WGO)

Visible parts in Copper (629385COP)

Visible parts in Gunmetal (629385GUM)

Visible parts in Black - Puro (629385PUR)

Manual drain kit (629384)

Chopping board, bamboo (629145)

Design Drip Rack (629725S)

Design Drip Rack (629725EDM)

Design Drip Rack (629725COP)

Corner bowl (629733)

Ladon (629016)

Comfopush, CHR (629891CHR)

Comfopush, EDM (629891EDM)

Wastecap (628152)



MONO D-100S

FLUSHMOUNT

Cabinet size: **45 cm**

Inner dimension of the bowl:

340 × 440 × 195 mm

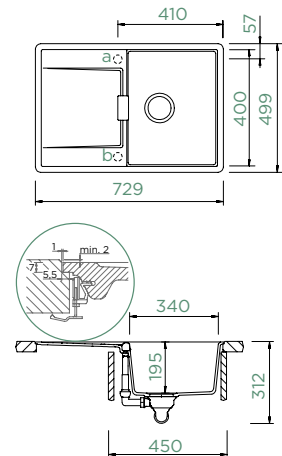
Installation: **reversible**

Cut-out size flushmount:

731 × 501 mm

Worktop for built-in

dishwasher: **35 mm**



Accessories:

Automatic drain kit (629385PD)

Visible parts in stainless steel
(629385EDM)

Visible parts in White Gold
(629385WGO)

Visible parts in Copper (629385COP)

Visible parts in Gunmetal (629385GUM)

Visible parts in Black - Puro (629385PUR)

Manual drain kit (629384)

Chopping board, bamboo (629145)

Design Drip Rack (629725S)

Design Drip Rack (629725EDM)

Design Drip Rack (629725COP)

Corner bowl (629733)

Ladon (629016)

Comfopush, CHR (629891CHR)

Comfopush, EDM (629891EDM)

Wastecap (628152)

TOPMOUNT

UNDERMOUNT

CRISTADUR® CLASSIC LINE

- MOND100SA PUR
- MOND100SA MAG
- MOND100SA CAR
- MOND100SA STO
- MOND100SA BRO
- MOND100SA SIL
- MOND100SA MGL
- MOND100SA POL
- MOND100SA ROU

- MOND100SU PUR
- MOND100SU MAG
- MOND100SU CAR
- MOND100SU STO
- MOND100SU BRO
- MOND100SU SIL
- MOND100SU MGL
- MOND100SU POL
- MOND100SU ROU

CRISTADUR® GREEN LINE

- MOND100SA DAY
- MOND100SA DSK
- MOND100SA NGT
- MOND100SA TWI

- MOND100SU DAY
- MOND100SU DSK
- MOND100SU NGT
- MOND100SU TWI

FLUSHMOUNT

CRISTADUR® CLASSIC LINE

- MOND100SFB PUR
- MOND100SFB MAG
- MOND100SFB CAR
- MOND100SFB STO
- MOND100SFB BRO
- MOND100SFB SIL
- MOND100SFB MGL
- MOND100SFB POL
- MOND100SFB ROU

CRISTADUR® GREEN LINE

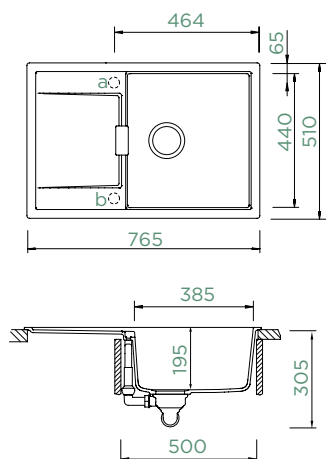
- MOND100SFB DAY
- MOND100SFB DSK
- MOND100SFB NGT
- MOND100SFB TWI



MONO D-100

TOPMOUNT/UNDERMOUNT

Cabinet size: **50 cm**
 Inner dimension of the bowl:
385 × 440 × 195 mm
 Installation: **reversible**
 Cut-out size topmount:
745 × 490 mm
 Cut-out size undermount:
749 × 494 mm
 Worktop for built-in
 dishwasher: **27 mm**



Accessories:

- Automatic drain kit (629385PD)
- Visible parts in stainless steel (629385EDM)
- Visible parts in White Gold (629385WGO)
- Visible parts in Copper (629385COP)
- Visible parts in Gunmetal (629385GUM)
- Visible parts in Black - Puro (629385PUR)
- Manual drain kit (629384)
- Chopping board, bamboo (629145)
- Design Drip Rack (629725S)
- Design Drip Rack (629725EDM)
- Design Drip Rack (629725COP)
- Corner bowl (629733)

- Ladon (629016)
- Comfopush, CHR (629891CHR)
- Comfopush, EDM (629891EDM)
- Indutherm (629100)
- Wastecap (628152)

TOPMOUNT

UNDERMOUNT

CRISTADUR® CLASSIC LINE

- | | |
|----------------|--------------|
| ● MOND100A PUR | MOND100U PUR |
| ● MOND100A MAG | MOND100U MAG |
| ● MOND100A CAR | MOND100U CAR |
| ● MOND100A STO | MOND100U STO |
| ● MOND100A BRO | MOND100U BRO |
| ● MOND100A SIL | MOND100U SIL |
| ○ MOND100A MGL | MOND100U MGL |
| ○ MOND100A POL | MOND100U POL |
| ● MOND100A ROU | MOND100U ROU |

CRISTADUR® GREEN LINE

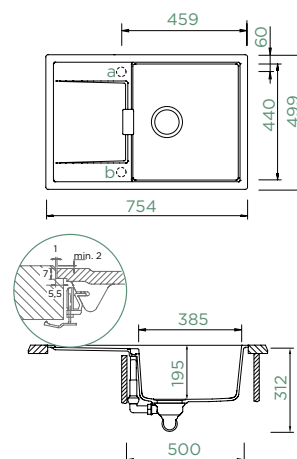
- | | |
|----------------|--------------|
| ○ MOND100A DAY | MOND100U DAY |
| ● MOND100A DSK | MOND100U DSK |
| ● MOND100A NGT | MOND100U NGT |
| ● MOND100A TWI | MOND100U TWI |



MONO D-100

FLUSHMOUNT

Cabinet size: **50 cm**
 Inner dimension of the bowl:
385 × 440 × 195 mm
 Installation: **reversible**
 Cut-out size flushmount:
756 × 501 mm
 Worktop for built-in
 dishwasher: **35 mm**



Accessories:

- Automatic drain kit (629385PD)
- Visible parts in stainless steel (629385EDM)
- Visible parts in White Gold (629385WGO)
- Visible parts in Copper (629385COP)
- Visible parts in Gunmetal (629385GUM)
- Visible parts in Black - Puro (629385PUR)
- Manual drain kit (629384)
- Chopping board, bamboo (629145)
- Design Drip Rack (629725S)
- Design Drip Rack (629725EDM)
- Design Drip Rack (629725COP)
- Corner bowl (629733)

- Ladon (629016)
- Comfopush, CHR (629891CHR)
- Comfopush, EDM (629891EDM)
- Indutherm (629100)
- Wastecap (628152)

FLUSHMOUNT

CRISTADUR® CLASSIC LINE

- | |
|-----------------|
| ● MOND100FB PUR |
| ● MOND100FB MAG |
| ● MOND100FB CAR |
| ● MOND100FB STO |
| ● MOND100FB BRO |
| ● MOND100FB SIL |
| ○ MOND100FB MGL |
| ○ MOND100FB POL |
| ● MOND100FB ROU |

CRISTADUR® GREEN LINE

- | |
|-----------------|
| ○ MOND100FB DAY |
| ● MOND100FB DSK |
| ● MOND100FB NGT |
| ● MOND100FB TWI |



MONO D-100L

TOPMOUNT/UNDERMOUNT

Cabinet size: **60 cm**

Inner dimension of the bowl:

480 × 440 × 195 mm

Installation: **reversible**

Cut-out size topmount:

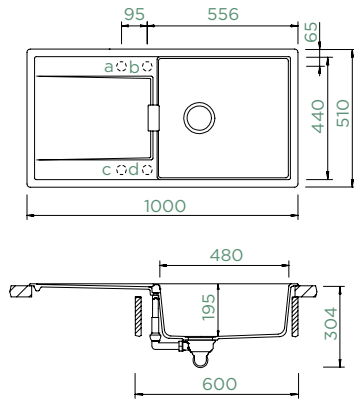
980 × 490 mm

Cut-out size undermount:

984 × 494 mm

Worktop for built-in

dishwasher: **22 mm**



Accessories:

Automatic drain kit (629385PD)

Visible parts in stainless steel (629385EDM)

Visible parts in White Gold (629385WGO)

Visible parts in Copper (629385COP)

Visible parts in Gunmetal (629385GUM)

Visible parts in Black - Puro (629385PUR)

Manual drain kit (629384)

Chopping board, bamboo (629145)

Design Drip Rack (629725S)

Design Drip Rack (629725EDM)

Design Drip Rack (629725COP)

Corner bowl (629733)

Amur (629014)

Ladon (629016)

Samo CHR (629169CHR)

Samo EDM (629169EDM)

Samo WGO (629169WGO)

Samo COP (629169COP)

Samo GUM (629169GUM)

Samo PUR (629169S)

Comfopush, CHR (629891CHR)

Comfopush, EDM (629891EDM)

Indutherm (629100)

Wastecap (628152)

TOPMOUNT

UNDERMOUNT

CRISTADUR® CLASSIC LINE

- MOND100LA PUR
- MOND100LA MAG
- MOND100LA CAR
- MOND100LA STO
- MOND100LA BRO
- MOND100LA SIL
- MOND100LA MGL
- MOND100LA POL
- MOND100LA ROU

- MOND100LU PUR
- MOND100LU MAG
- MOND100LU CAR
- MOND100LU STO
- MOND100LU BRO
- MOND100LU SIL
- MOND100LU MGL
- MOND100LU POL
- MOND100LU ROU

CRISTADUR® GREEN LINE

- MOND100LA DAY
- MOND100LA DSK
- MOND100LA NGT
- MOND100LA TWI

- MOND100LU DAY
- MOND100LU DSK
- MOND100LU NGT
- MOND100LU TWI

Note: An 80 cm cabinet is needed if you want to use two adjacent tap holes.



MONO D-100L

FLUSHMOUNT

Cabinet size: **60 cm**

Inner dimension of the bowl:

480 × 440 × 195 mm

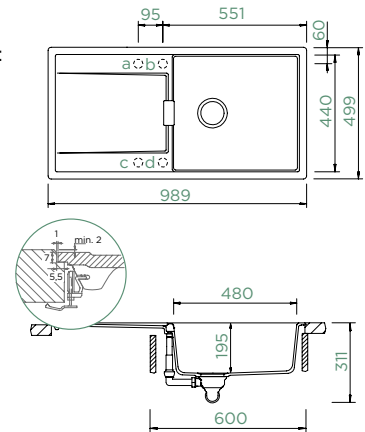
Installation: **reversible**

Cut-out size flushmount:

991 × 501 mm

Worktop for built-in

dishwasher: **30 mm**



Accessories:

Automatic drain kit (629385PD)

Visible parts in stainless steel (629385EDM)

Visible parts in White Gold (629385WGO)

Visible parts in Copper (629385COP)

Visible parts in Gunmetal (629385GUM)

Visible parts in Black - Puro (629385PUR)

Manual drain kit (629384)

Chopping board, bamboo (629145)

Design Drip Rack (629725S)

Design Drip Rack (629725EDM)

Design Drip Rack (629725COP)

Corner bowl (629733)

Amur (629014)

Ladon (629016)

Samo CHR (629169CHR)

Samo EDM (629169EDM)

Samo WGO (629169WGO)

Samo COP (629169COP)

Samo GUM (629169GUM)

Samo PUR (629169S)

Comfopush, CHR (629891CHR)

Comfopush, EDM (629891EDM)

Indutherm (629100)

Wastecap (628152)

FLUSHMOUNT

CRISTADUR® CLASSIC LINE

- MOND100LFB PUR
- MOND100LFB MAG
- MOND100LFB CAR
- MOND100LFB STO
- MOND100LFB BRO
- MOND100LFB SIL
- MOND100LFB MGL
- MOND100LFB POL
- MOND100LFB ROU

CRISTADUR® GREEN LINE

- MOND100LFB DAY
- MOND100LFB DSK
- MOND100LFB NGT
- MOND100LFB TWI

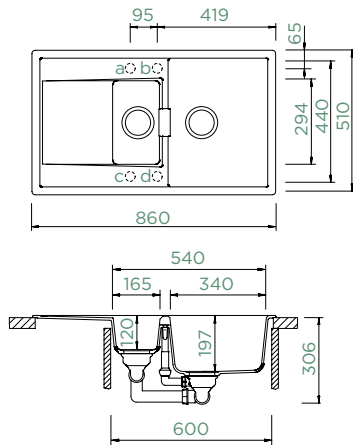
Note: An 80 cm cabinet is needed if you want to use two adjacent tap holes.



MONO D-150

TOPMOUNT/UNDERMOUNT

Cabinet size: **60 cm**
 Inner dimension of the bowl:
340 × 440 × 197 mm
 Installation: **reversible**
 Cut-out size topmount:
840 × 490 mm
 Cut-out size undermount:
844 × 494 mm
 Worktop for built-in
 dishwasher: **27 mm**



Accessories:

- Automatic drain kit (629388PD)
- Visible parts in stainless steel (629388EDM)
- Visible parts in White Gold (629388WGO)
- Visible parts in Copper (629388COP)
- Visible parts in Gunmetal (629388GUM)
- Visible parts in Black - Puro (629388PUR)
- Manual drain kit (629389)
- Chopping board, bamboo (629145)
- Design Drip Rack (629725S)
- Design Drip Rack (629725EDM)
- Design Drip Rack (629725COP)
- Corner bowl (629733)

- Amur (629014)
- Ladon (629016)
- Samo CHR (629169CHR)
- Samo EDM (629169EDM)
- Samo WGO (629169WGO)
- Samo COP (629169COP)
- Samo GUM (629169GUM)
- Samo PUR (629169S)
- Comfopush, CHR (629891CHR)
- Comfopush, EDM (629891EDM)
- Wastecap (628152)

TOPMOUNT

UNDERMOUNT

CRISTADUR® CLASSIC LINE

- MOND150A PUR
- MOND150A MAG
- MOND150A CAR
- MOND150A STO
- MOND150A BRO
- MOND150A SIL
- MOND150A MGL
- MOND150A POL
- MOND150A ROU

- MOND150U PUR
- MOND150U MAG
- MOND150U CAR
- MOND150U STO
- MOND150U BRO
- MOND150U SIL
- MOND150U MGL
- MOND150U POL
- MOND150U ROU

CRISTADUR® GREEN LINE

- MOND150A DAY
- MOND150A DSK
- MOND150A NGT
- MOND150A TWI

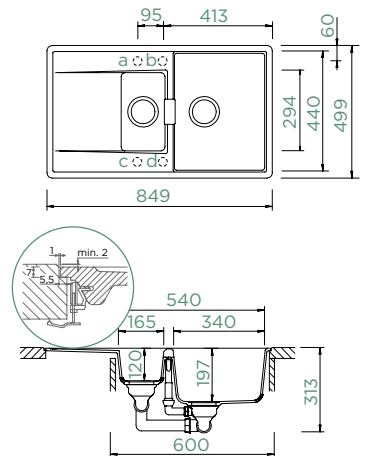
- MOND150U DAY
- MOND150U DSK
- MOND150U NGT
- MOND150U TWI



MONO D-150

FLUSHMOUNT

Cabinet size: **60 cm**
 Inner dimension of the bowl:
340 × 440 × 197 mm
 Installation: **reversible**
 Cut-out size flushmount:
851 × 501 mm
 Worktop for built-in
 dishwasher: **35 mm**



Accessories:

- Automatic drain kit (629388PD)
- Visible parts in stainless steel (629388EDM)
- Visible parts in White Gold (629388WGO)
- Visible parts in Copper (629388COP)
- Visible parts in Gunmetal (629388GUM)
- Visible parts in Black - Puro (629388PUR)
- Manual drain kit (629389)
- Chopping board, bamboo (629145)
- Design Drip Rack (629725S)
- Design Drip Rack (629725EDM)
- Design Drip Rack (629725COP)
- Corner bowl (629733)

- Amur (629014)
- Ladon (629016)
- Samo CHR (629169CHR)
- Samo EDM (629169EDM)
- Samo WGO (629169WGO)
- Samo COP (629169COP)
- Samo GUM (629169GUM)
- Samo PUR (629169S)
- Comfopush, CHR (629891CHR)
- Comfopush, EDM (629891EDM)
- Wastecap (628152)

FLUSHMOUNT

CRISTADUR® CLASSIC LINE

- MOND150FB PUR
- MOND150FB MAG
- MOND150FB CAR
- MOND150FB STO
- MOND150FB BRO
- MOND150FB SIL
- MOND150FB MGL
- MOND150FB POL
- MOND150FB ROU

CRISTADUR® GREEN LINE

- MOND150FB DAY
- MOND150FB DSK
- MOND150FB NGT
- MOND150FB TWI



MONO D-200

TOPMOUNT/UNDERMOUNT

Cabinet size: **80 cm**

Inner dimension of the bowl:

330 × 438 × 195 mm

Installation: **reversible**

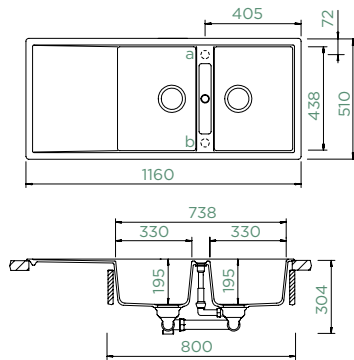
Cut-out size topmount:

1140 × 490 mm

Cut-out size undermount:

1144 × 494 mm

Worktop for built-in
dishwasher: **22 mm**



Accessories:

Automatic drain kit (629301)
Manual drain kit (629300)
Chopping board, bamboo (629145)
Design Drip Rack (629725S)
Design Drip Rack (629725EDM)
Design Drip Rack (629725COP)
Corner bowl (629733)
Indutherm (629100)
Wastecap (628152)

TOPMOUNT

UNDERMOUNT

CRISTADUR® CLASSIC LINE

● MOND200A PUR	MOND200U PUR
● MOND200A MAG	MOND200U MAG
● MOND200A CAR	MOND200U CAR
● MOND200A STO	MOND200U STO
● MOND200A BRO	MOND200U BRO
● MOND200A SIL	MOND200U SIL
○ MOND200A MGL	MOND200U MGL
○ MOND200A POL	MOND200U POL
● MOND200A ROU	MOND200U ROU



MONO D-200

FLUSHMOUNT

Cabinet size: **80 cm**

Inner dimension of the bowl:

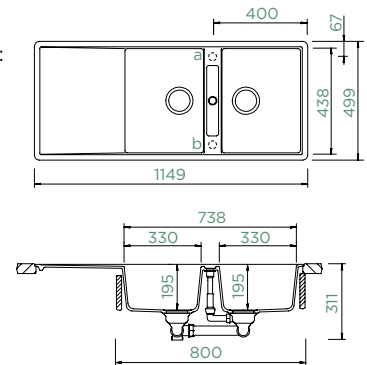
330 × 438 × 195 mm

Installation: **reversible**

Cut-out size flushmount:

1151 × 501 mm

Worktop for built-in
dishwasher: **30 mm**



Accessories:

Automatic drain kit (629301)
Manual drain kit (629300)
Chopping board, bamboo (629145)
Design Drip Rack (629725S)
Design Drip Rack (629725EDM)
Design Drip Rack (629725COP)
Corner bowl (629733)
Indutherm (629100)
Wastecap (628152)

FLUSHMOUNT

CRISTADUR® CLASSIC LINE

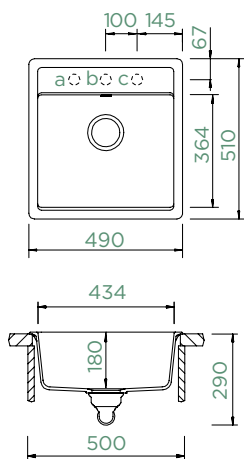
● MOND200FB PUR
● MOND200FB MAG
● MOND200FB CAR
● MOND200FB STO
● MOND200FB BRO
● MOND200FB SIL
○ MOND200FB MGL
○ MOND200FB POL
● MOND200FB ROU



MONO N-100S

TOPMOUNT/UNDERMOUNT

Cabinet size: **50 cm**
 Inner dimension of the bowl:
434 × 364 × 180 mm
 Installation: **fixed**
 Cut-out size topmount:
470 × 490 mm
 Cut-out size undermount:
434 × 454 mm



Accessories:

- Automatic drain kit (629313PD)
- Visible parts in stainless steel (629313EDM)
- Visible parts in White Gold (629313WGO)
- Visible parts in Copper (629313COP)
- Visible parts in Gunmetal (629313GUM)
- Visible parts in Black - Puro (629313PUR)
- Manual drain kit (629314)
- Chopping board, bamboo (629159)
- Strainer bowl (629017)
- Corner bowl (629733)
- Carrier (629151)
- Gastronorm Container GN 2/8 (629060)
- Gastronorm Container GN 2/8 (629061)
- Gastronorm Container GN 2/3 (629063)

- Silicone Drain Mat (629188)
- Silicone Drain Mat Short (629189)
- Amur (629014)
- Ladon (629016)
- Samo CHR (629169CHR)
- Samo EDM (629169EDM)
- Samo WGO (629169WGO)
- Samo COP (629169COP)
- Samo GUM (629169GUM)
- Samo PUR (629169S)
- Comfopush, CHR (629891CHR)
- Comfopush, EDM (629891EDM)
- Wastecap (628152)

TOPMOUNT

UNDERMOUNT

CRISTADUR® CLASSIC LINE

- MONN100SA PUR
- MONN100SA MAG
- MONN100SA CAR
- MONN100SA STO
- MONN100SA BRO
- MONN100SA SIL
- MONN100SA MGL
- MONN100SA POL
- MONN100SA ROU

- MONN100SU PUR
- MONN100SU MAG
- MONN100SU CAR
- MONN100SU STO
- MONN100SU BRO
- MONN100SU SIL
- MONN100SU MGL
- MONN100SU POL
- MONN100SU ROU

CRISTADUR® GREEN LINE

- MONN100SA DAY
- MONN100SA DSK
- MONN100SA NGT
- MONN100SA TWI

- MONN100SU DAY
- MONN100SU DSK
- MONN100SU NGT
- MONN100SU TWI

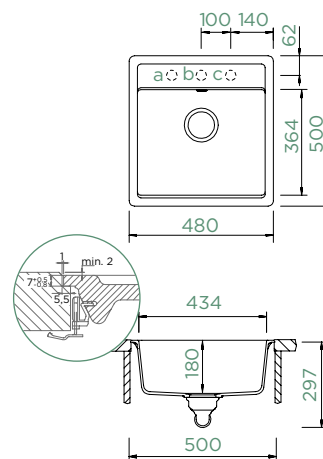
Note: Undermount installation in a 50 cm cabinet requires some adaptations.



MONO N-100S

FLUSHMOUNT

Cabinet size: **50 cm**
 Inner dimension of the bowl:
434 × 364 × 180 mm
 Installation: **fixed**
 Cut-out size flushmount:
482 × 502 mm



Accessories:

- Automatic drain kit (629313PD)
- Visible parts in stainless steel (629313EDM)
- Visible parts in White Gold (629313WGO)
- Visible parts in Copper (629313COP)
- Visible parts in Gunmetal (629313GUM)
- Visible parts in Black - Puro (629313PUR)
- Manual drain kit (629314)
- Chopping board, bamboo (629159)
- Strainer bowl (629017)
- Corner bowl (629733)
- Carrier (629151)
- Gastronorm Container GN 2/8 (629060)
- Gastronorm Container GN 2/8 (629061)
- Gastronorm Container GN 2/3 (629063)

- Silicone Drain Mat (629188)
- Silicone Drain Mat Short (629189)
- Amur (629014)
- Ladon (629016)
- Samo CHR (629169CHR)
- Samo EDM (629169EDM)
- Samo WGO (629169WGO)
- Samo COP (629169COP)
- Samo GUM (629169GUM)
- Samo PUR (629169S)
- Comfopush, CHR (629891CHR)
- Comfopush, EDM (629891EDM)
- Wastecap (628152)

FLUSHMOUNT

CRISTADUR® CLASSIC LINE

- MONN100SFB PUR
- MONN100SFB MAG
- MONN100SFB CAR
- MONN100SFB STO
- MONN100SFB BRO
- MONN100SFB SIL
- MONN100SFB MGL
- MONN100SFB POL
- MONN100SFB ROU

CRISTADUR® GREEN LINE

- MONN100SFB DAY
- MONN100SFB DSK
- MONN100SFB NGT
- MONN100SFB TWI

Note: Undermount installation in a 50 cm cabinet requires some adaptations.



MONO N-100

TOPMOUNT/UNDERMOUNT

Cabinet size: **60 cm**

Inner dimension of the bowl:

514 × 358 × 180 mm

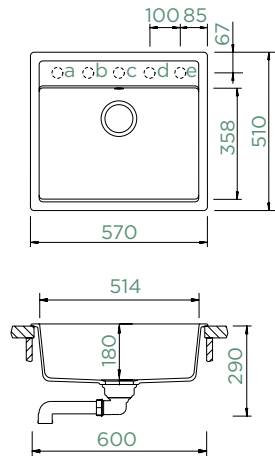
Installation: **fixed**

Cut-out size topmount:

552 × 490 mm

Cut-out size undermount:

521 × 461 mm



Accessories:

Automatic drain kit (629313PD)
Visible parts in stainless steel (629313EDM)
Visible parts in White Gold (629313WGO)
Visible parts in Copper (629313COP)
Visible parts in Gunmetal (629313GUM)
Visible parts in Black - Puro (629313PUR)
Manual drain kit (629314)
Chopping board, bamboo (629159)
Strainer bowl (629017)
Corner bowl (629733)
Carrier (629151)
Gastronorm Container GN 2/8 (629060)
Gastronorm Container GN 2/8 (629061)
Gastronorm Container GN 2/3 (629063)

Silicone Drain Mat (629188)
Silicone Drain Mat Short (629189)
Amur (629014)
Ladon (629016)
Samo CHR (629169CHR)
Samo EDM (629169EDM)
Samo WGO (629169WGO)
Samo COP (629169COP)
Samo GUM (629169GUM)
Samo PUR (629169S)
Comfopush, CHR (629891CHR)
Comfopush, EDM (629891EDM)
Wastecap (628152)

TOPMOUNT

UNDERMOUNT

CRISTADUR® CLASSIC LINE

- MONN100A PUR
- MONN100A MAG
- MONN100A CAR
- MONN100A STO
- MONN100A BRO
- MONN100A SIL
- MONN100A MGL
- MONN100A POL
- MONN100A ROU

- MONN100U PUR
- MONN100U MAG
- MONN100U CAR
- MONN100U STO
- MONN100U BRO
- MONN100U SIL
- MONN100U MGL
- MONN100U POL
- MONN100U ROU

CRISTADUR® GREEN LINE

- MONN100A DAY
- MONN100A DSK
- MONN100A NGT
- MONN100A TWI

- MONN100U DAY
- MONN100U DSK
- MONN100U NGT
- MONN100U TWI



MONO N-100

FLUSHMOUNT

Cabinet size: **60 cm**

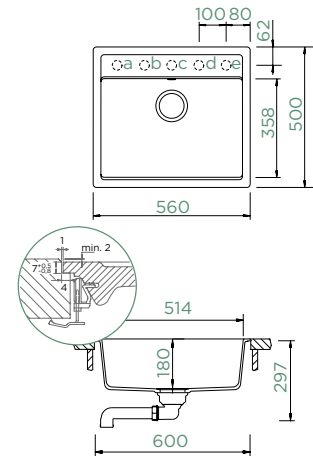
Inner dimension of the bowl:

514 × 358 × 180 mm

Installation: **fixed**

Cut-out size flushmount:

562 × 502 mm



Accessories:

Automatic drain kit (629313PD)
Visible parts in stainless steel (629313EDM)
Visible parts in White Gold (629313WGO)
Visible parts in Copper (629313COP)
Visible parts in Gunmetal (629313GUM)
Visible parts in Black - Puro (629313PUR)
Manual drain kit (629314)
Chopping board, bamboo (629159)
Strainer bowl (629017)
Corner bowl (629733)
Carrier (629151)
Gastronorm Container GN 2/8 (629060)
Gastronorm Container GN 2/8 (629061)
Gastronorm Container GN 2/3 (629063)

Silicone Drain Mat (629188)
Silicone Drain Mat Short (629189)
Amur (629014)
Ladon (629016)
Samo CHR (629169CHR)
Samo EDM (629169EDM)
Samo WGO (629169WGO)
Samo COP (629169COP)
Samo GUM (629169GUM)
Samo PUR (629169S)
Comfopush, CHR (629891CHR)
Comfopush, EDM (629891EDM)
Wastecap (628152)

FLUSHMOUNT

CRISTADUR® CLASSIC LINE

- MONN100FB PUR
- MONN100FB MAG
- MONN100FB CAR
- MONN100FB STO
- MONN100FB BRO
- MONN100FB SIL
- MONN100FB MGL
- MONN100FB POL
- MONN100FB ROU

CRISTADUR® GREEN LINE

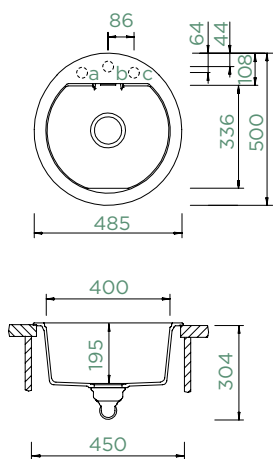
- MONN100FB DAY
- MONN100FB DSK
- MONN100FB NGT
- MONN100FB TWI



MONO R-100

TOPMOUNT/UNDERMOUNT

Cabinet size: **45 cm**
 Inner dimension of the bowl:
400 × 336 × 195 mm
 Installation: **fixed**
 Cut-out size topmount:
according to template
 Cut-out size undermount:
according to template



Accessories:

- Automatic drain kit (629329PD)
- Visible parts in Copper (629329COP)
- Manual drain kit (629327)
- Amur (629014)
- Ladon (629016)
- Samo CHR (629169CHR)
- Samo COP (629169COP)
- Comfopush, CHR (629891CHR)
- Comfopush, EDM (629891EDM)
- Wastecap (628152)

TOPMOUNT

UNDERMOUNT

CRISTADUR® CLASSIC LINE

- MONR100A PUR
- MONR100A MAG
- MONR100A CAR
- MONR100A STO
- MONR100A BRO
- MONR100A SIL
- MONR100A MGL
- MONR100A POL
- MONR100A ROU

- MONR100U PUR
- MONR100U MAG
- MONR100U CAR
- MONR100U STO
- MONR100U BRO
- MONR100U SIL
- MONR100U MGL
- MONR100U POL
- MONR100U ROU

CRISTADUR® GREEN LINE

- MONR100A DAY
- MONR100A DSK
- MONR100A NGT
- MONR100A TWI

- MONR100U DAY
- MONR100U DSK
- MONR100U NGT
- MONR100U TWI





MONTANO

Tap model **Tanos** in stainless steel look on sink model **Montano N-100XL** in Polaris



Tight corners - modern look

Spacious bowl
with room for large cooking utensils



More accessories on p. 216

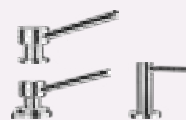
Silicone drain mat



Trim



Soap dispenser



Comfopush
Corner dish

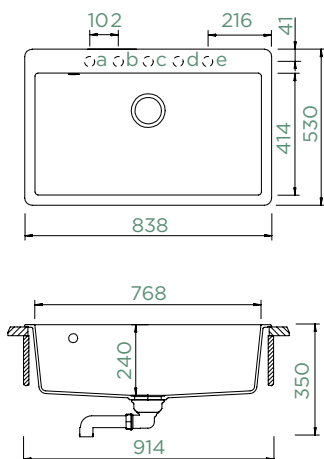




MONTANO N-100XL

TOPMOUNT/UNDERMOUNT

Cabinet size: **90 cm**
 Inner dimension of the bowl:
768 x 414 x 240 mm
 Installation: **fixed**
 Cut-out size topmount:
818 x 510 mm
 Cut-out size undermount:
782 x 428 mm



Accessories:

- Automatic drain kit (629324PD)
- Visible parts in stainless steel (629324EDM)
- Visible parts in White Gold (629324WGO)
- Visible parts in Copper (629324COP)
- Visible parts in Gunmetal (629324GUM)
- Visible parts in Black - Puro (629324PUR)
- Manual drain kit (629323)
- Silicone Drain Mat (629188)
- Silicone Drain Mat Short (629189)
- Corner bowl (629733)
- Amur (629014)
- Ladon (629016)

- Samo CHR (629169CHR)
- Samo EDM (629169EDM)
- Samo WGO (629169WGO)
- Samo COP (629169COP)
- Samo GUM (629169GUM)
- Samo PUR (629169S)
- Comfopush, CHR (629891CHR)
- Comfopush, EDM (629891EDM)
- Wastecap (628152)

TOPMOUNT

UNDERMOUNT

CRISTADUR® CLASSIC LINE

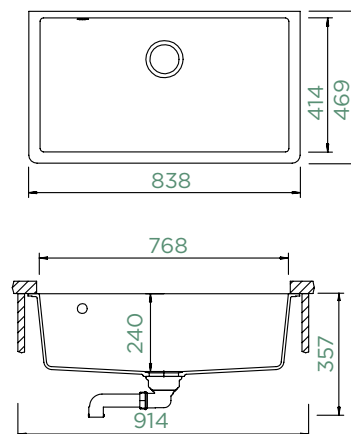
- | | |
|-------------------------|-----------------------|
| ● MOTN100XLA MAG | MOTN100XLU MAG |
| ● MOTN100XLA STO | MOTN100XLU STO |
| ● MOTN100XLA BRO | MOTN100XLU BRO |
| ● MOTN100XLA SIL | MOTN100XLU SIL |
| ○ MOTN100XLA MGL | MOTN100XLU MGL |
| ○ MOTN100XLA POL | MOTN100XLU POL |



MONTANO N-100XLY

UNDERMOUNT

Cabinet size: **90 cm**
 Inner dimension of the bowl:
768 x 414 x 240 mm
 Installation: **fixed**
 Cut-out size undermount:
782 x 428 mm



Accessories:

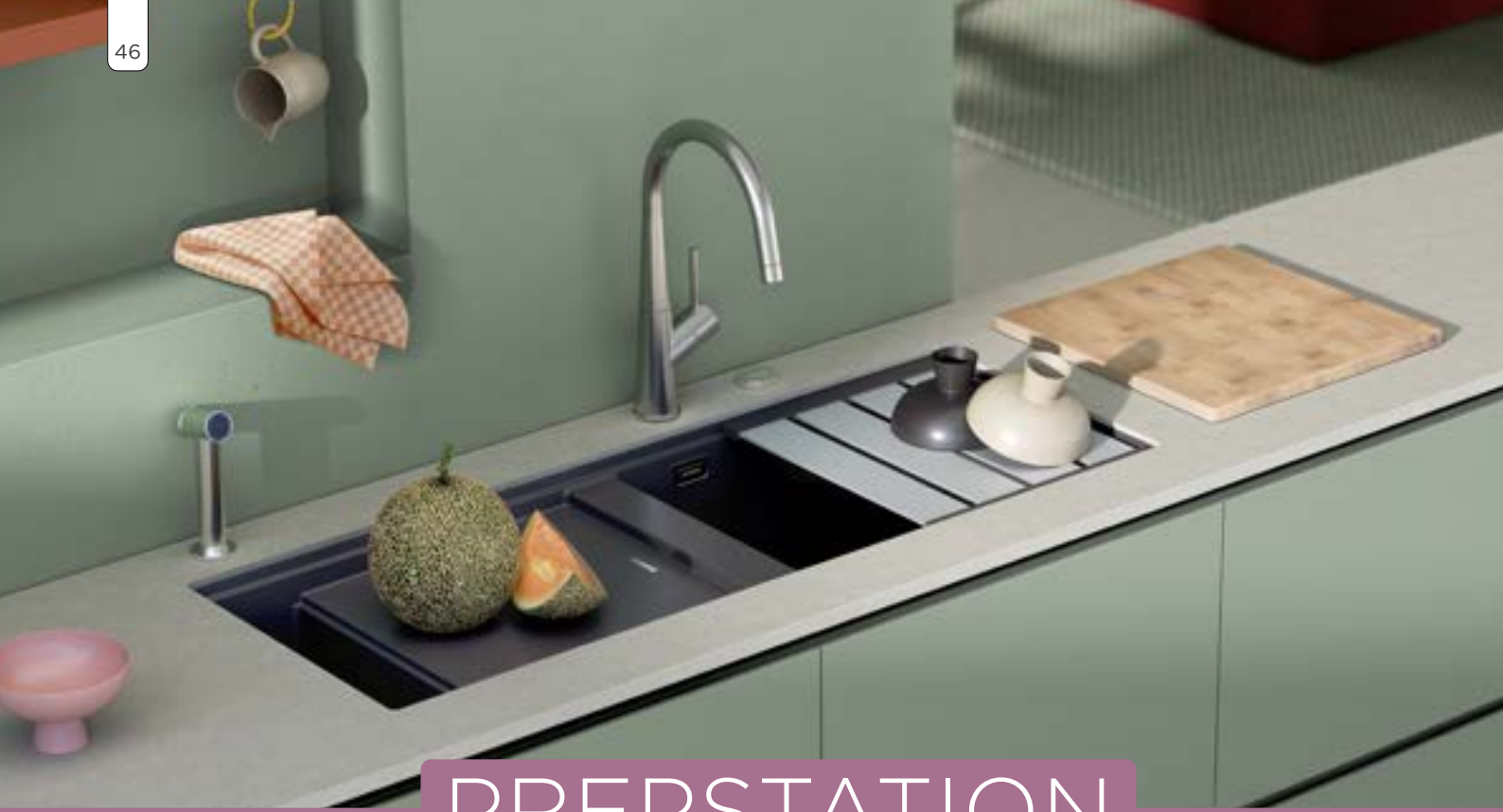
- Automatic drain kit (629324PD)
- Visible parts in stainless steel (629324EDM)
- Visible parts in White Gold (629324WGO)
- Visible parts in Copper (629324COP)
- Visible parts in Gunmetal (629324GUM)
- Visible parts in Black - Puro (629324PUR)
- Manual drain kit (629323)
- Silicone Drain Mat (629188)
- Silicone Drain Mat Short (629189)
- Corner bowl (629733)
- Amur (629014)
- Ladon (629016)

- Comfopush, CHR (629891CHR)
- Comfopush, EDM (629891EDM)
- Wastecap (628152)

UNDERMOUNT

CRISTADUR® CLASSIC LINE

- | |
|--------------------------|
| ● MOTN100XLYU MAG |
| ● MOTN100XLYU STO |
| ● MOTN100XLYU BRO |
| ● MOTN100XLYU SIL |
| ○ MOTN100XLYU MGL |
| ○ MOTN100XLYU POL |

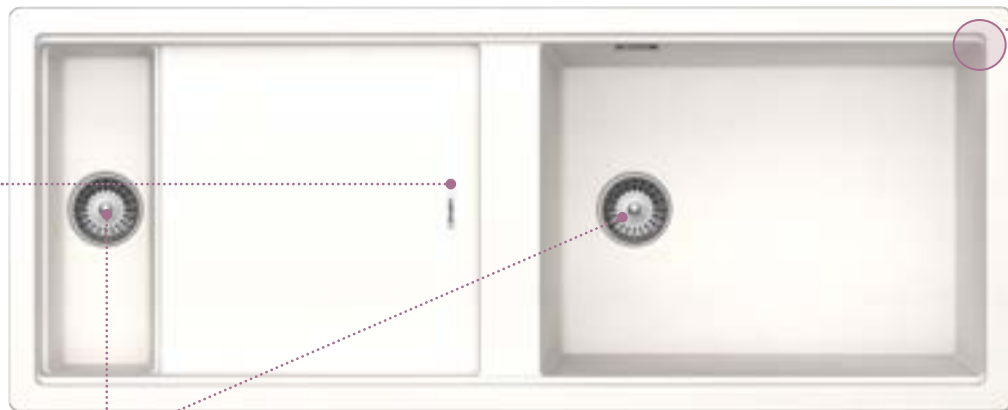


PREPSTATION

Tap model **Conos Pro** in Solid Stainless Steel on sink model **Prepstation** in Dusk



D-150



Integrated draining board



Integrated lip for hanging and laying multifunctional accessories



Patented Perfect Drain for less places where dirt can linger and more colour in the sink

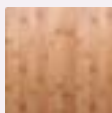
Spacious bowl with room for large cooking utensils



Pure CRISTADUR® Green Line model

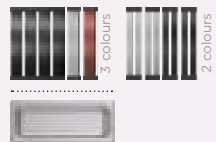
More accessories on p. 216

Chopping board



(629158)

Drain rack, Gastronorm



3 colours

2 colours

Trim



Soap dispenser



Comfopush Corner dish



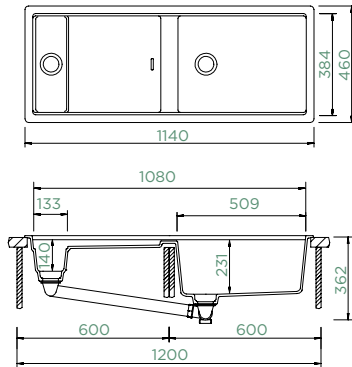


PREPSTATION D-150

TOPMOUNT/UNDERMOUNT



Cabinet size: **60 + 60 cm**
 Inner dimension of the bowl:
509 × 384 × 231 mm
 Installation: **fixed**
 Cut-out size topmount:
1120 × 440 mm
 Cut-out size undermount:
1080 × 400 mm



Accessories:

- Automatic drain kit (629620PD)
- Visible parts in stainless steel (629620EDM)
- Visible parts in White Gold (629620WGO)
- Visible parts in Copper (629620COP)
- Visible parts in Gunmetal (629620GUM)
- Visible parts in Black - Puro (629620PUR)
- Manual drain kit (629619)
- Chopping board, wood (629158)
- Silicone Drain Mat Short (629189)
- Design Drip Rack (629726S)
- Design Drip Rack (629726EDM)

- Design Drip Rack (629726COP)
- 2x2 Design Drip Rack (629738S)
- 2x2 Design Drip Rack (629738EDM)
- Carrier (629146)
- Gastronorm Container GN 2/8 (629060)
- Gastronorm Container GN 2/8 (629061)
- Gastronorm Container GN 2/3 (629063)
- Corner bowl (629733)
- Amur (629014)
- Ladon (629016)
- Comfopush, CHR (629891CHR)
- Comfopush, EDM (629891EDM)
- Indutherm (629100)

TOPMOUNT

UNDERMOUNT

CRISTADUR® GREEN LINE

- PRPD150A DAY
- PRPD150A DSK
- PRPD150A NGT
- PRPD150A TWI

- PRPD150U DAY
- PRPD150U DSK
- PRPD150U NGT
- PRPD150U TWI

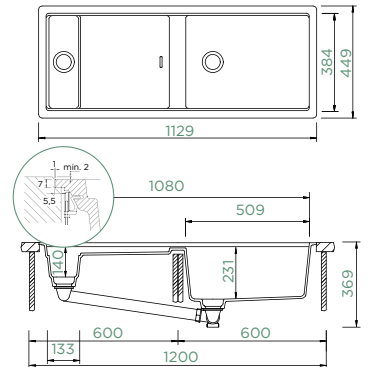


PREPSTATION D-150

FLUSHMOUNT



Cabinet size: **60 + 60 cm**
 Inner dimension of the bowl:
509 × 384 × 231 mm
 Installation: **fixed**
 Cut-out size flushmount:
1131 × 451 mm



Accessories:

- Automatic drain kit (629620PD)
- Visible parts in stainless steel (629620EDM)
- Visible parts in White Gold (629620WGO)
- Visible parts in Copper (629620COP)
- Visible parts in Gunmetal (629620GUM)
- Visible parts in Black - Puro (629620PUR)
- Manual drain kit (629619)
- Chopping board, wood (629158)
- Silicone Drain Mat Short (629189)
- Design Drip Rack (629726S)
- Design Drip Rack (629726EDM)

- Design Drip Rack (629726COP)
- 2x2 Design Drip Rack (629738S)
- 2x2 Design Drip Rack (629738EDM)
- Carrier (629146)
- Gastronorm Container GN 2/8 (629060)
- Gastronorm Container GN 2/8 (629061)
- Gastronorm Container GN 2/3 (629063)
- Corner bowl (629733)
- Amur (629014)
- Ladon (629016)
- Comfopush, CHR (629891CHR)
- Comfopush, EDM (629891EDM)
- Indutherm (629100)

FLUSHMOUNT

CRISTADUR® GREEN LINE

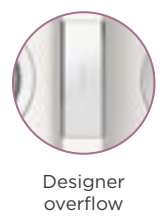
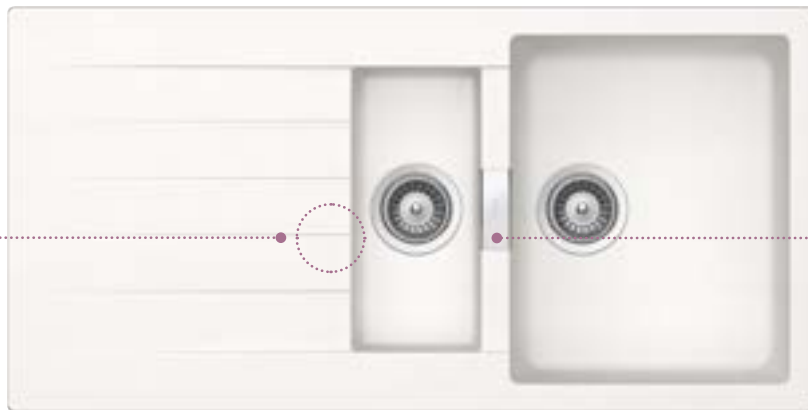
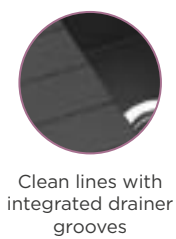
- PRPD150FB DAY
- PRPD150FB DSK
- PRPD150FB NGT
- PRPD150FB TWI



SIGNUS

Tap model **Epos** in Chrome on sink model **Signus D-100** in Magma

Wide choice of designs



Deep bowl
(e.g. for filling tall vases or pots & pans)



More accessories on p. 216

Fibre-Rock chopping board



(629184)

Wooden chopping board



(629044)

Drain rack



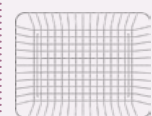
Trim



Soap dispenser



Crockery basket



(629171)

Comfopush Corner dish

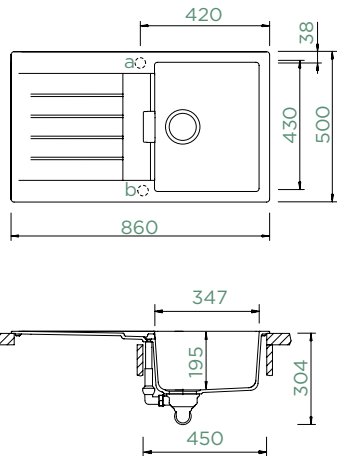




SIGNUS D-100

TOPMOUNT/UNDERMOUNT

Cabinet size: **45 cm**
 Inner dimension of the bowl:
347 × 430 × 195 mm
 Installation: **reversible**
 Cut-out size topmount:
840 × 480 mm
 Cut-out size undermount:
846 × 486 mm
 Worktop for built-in
 dishwasher: **23 mm**



Accessories:

- Automatic drain kit (629371PD)
- Visible parts in stainless steel (629371EDM)
- Visible parts in White Gold (629371WGO)
- Visible parts in Copper (629371COP)
- Visible parts in Gunmetal (629371GUM)
- Visible parts in Black - Puro (629371PUR)
- Manual drain kit (629370)
- Chopping board, bamboo (629044)
- Chopping board Fibre-Rock (629184)
- Design Drip Rack (629725S)
- Design Drip Rack (629725EDM)
- Design Drip Rack (629725COP)
- 2x2 Design Drip Rack (629724S)

- 2x2 Design Drip Rack (629724EDM)
- Corner bowl (629733)
- Wire basket (629171)
- Ladon (629016)
- Comfopush, CHR (629891CHR)
- Comfopush, EDM (629891EDM)
- Wastecap (628152)

TOPMOUNT

UNDERMOUNT

CRISTADUR® CLASSIC LINE

- SIGD100A PUR
- SIGD100A MAG
- SIGD100A CAR
- SIGD100A STO
- SIGD100A BRO
- SIGD100A SIL
- SIGD100A MGL
- SIGD100A POL

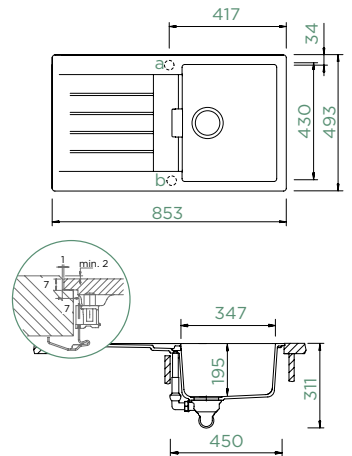
- SIGD100U PUR
- SIGD100U MAG
- SIGD100U CAR
- SIGD100U STO
- SIGD100U BRO
- SIGD100U SIL
- SIGD100U MGL
- SIGD100U POL



SIGNUS D-100

FLUSHMOUNT

Cabinet size: **45 cm**
 Inner dimension of the bowl:
347 × 430 × 195 mm
 Installation: **reversible**
 Cut-out size flushmount:
855 × 495 mm
 Worktop for built-in
 dishwasher: **31 mm**



Accessories:

- Automatic drain kit (629371PD)
- Visible parts in stainless steel (629371EDM)
- Visible parts in White Gold (629371WGO)
- Visible parts in Copper (629371COP)
- Visible parts in Gunmetal (629371GUM)
- Visible parts in Black - Puro (629371PUR)
- Manual drain kit (629370)
- Chopping board, bamboo (629044)
- Chopping board Fibre-Rock (629184)
- Design Drip Rack (629725S)
- Design Drip Rack (629725EDM)
- Design Drip Rack (629725COP)
- 2x2 Design Drip Rack (629724S)

- 2x2 Design Drip Rack (629724EDM)
- Corner bowl (629733)
- Wire basket (629171)
- Ladon (629016)
- Comfopush, CHR (629891CHR)
- Comfopush, EDM (629891EDM)
- Wastecap (628152)

FLUSHMOUNT

CRISTADUR® CLASSIC LINE

- SIGD100FB PUR
- SIGD100FB MAG
- SIGD100FB CAR
- SIGD100FB STO
- SIGD100FB BRO
- SIGD100FB SIL
- SIGD100FB MGL
- SIGD100FB POL



SIGNUS D-100L

TOPMOUNT/UNDERMOUNT

Cabinet size: **60 cm**

Inner dimension of the bowl:

478 × 430 × 195 mm

Installation: **reversible**

Cut-out size topmount:

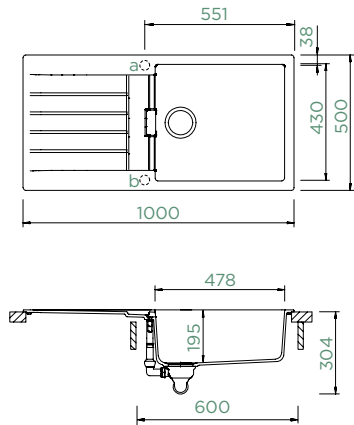
980 × 480 mm

Cut-out size undermount:

986 × 486 mm

Worktop for built-in

dishwasher: **22 mm**



Accessories:

Automatic drain kit (629371PD)

Visible parts in stainless steel
(629371EDM)

Visible parts in White Gold (629371WGO)

Visible parts in Copper (629371COP)

Visible parts in Gunmetal (629371GUM)

Visible parts in Black - Puro (629371PUR)

Manual drain kit (629370)

Chopping board, bamboo (629044)

Chopping board Fibre-Rock (629184)

Design Drip Rack (629725S)

Design Drip Rack (629725EDM)

Design Drip Rack (629725COP)

2x2 Design Drip Rack (629724S)

2x2 Design Drip Rack (629724EDM)

Corner bowl (629733)

Wire basket (629171)

Ladon (629016)

Comfopush, EDM (629891EDM)

Comfopush, CHR (629891CHR)

Wastecap (628152)

TOPMOUNT

UNDERMOUNT

CRISTADUR® CLASSIC LINE

● SIGD100LA PUR

● SIGD100LA MAG

● SIGD100LA CAR

● SIGD100LA STO

● SIGD100LA BRO

● SIGD100LA SIL

○ SIGD100LA MGL

○ SIGD100LA POL

SIGD100LU PUR

SIGD100LU MAG

SIGD100LU CAR

SIGD100LU STO

SIGD100LU BRO

SIGD100LU SIL

SIGD100LU MGL

SIGD100LU POL



SIGNUS D-100L

FLUSHMOUNT

Cabinet size: **60 cm**

Inner dimension of the bowl:

478 × 430 × 195 mm

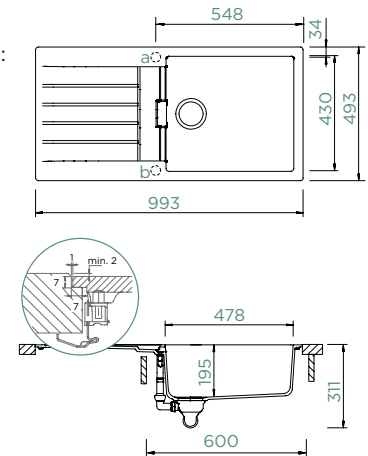
Installation: **reversible**

Cut-out size flushmount:

995 × 495 mm

Worktop for built-in

dishwasher: **30 mm**



Accessories:

Automatic drain kit (629371PD)

Visible parts in stainless steel
(629371EDM)

Visible parts in White Gold (629371WGO)

Visible parts in Copper (629371COP)

Visible parts in Gunmetal (629371GUM)

Visible parts in Black - Puro (629371PUR)

Manual drain kit (629370)

Chopping board, bamboo (629044)

Chopping board Fibre-Rock (629184)

Design Drip Rack (629725S)

Design Drip Rack (629725EDM)

Design Drip Rack (629725COP)

2x2 Design Drip Rack (629724S)

2x2 Design Drip Rack (629724EDM)

Corner bowl (629733)

Wire basket (629171)

Ladon (629016)

Comfopush, EDM (629891EDM)

Comfopush, CHR (629891CHR)

Wastecap (628152)

FLUSHMOUNT

CRISTADUR® CLASSIC LINE

● SIGD100LFB PUR

● SIGD100LFB MAG

● SIGD100LFB CAR

● SIGD100LFB STO

● SIGD100LFB BRO

● SIGD100LFB SIL

○ SIGD100LFB MGL

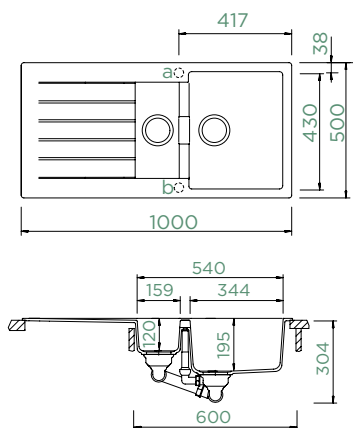
○ SIGD100LFB POL



SIGNUS D-150

TOPMOUNT/UNDERMOUNT

Cabinet size: **60 cm**
 Inner dimension of the bowl:
344 × 430 × 195 mm
 Installation: **reversible**
 Cut-out size topmount:
980 × 480 mm
 Cut-out size undermount:
986 × 486 mm
 Worktop for built-in
 dishwasher: **15 mm**



Accessories:

- Automatic drain kit (629373PD)
- Visible parts in stainless steel (629373EDM)
- Visible parts in White Gold (629373WGO)
- Visible parts in Copper (629373COP)
- Visible parts in Gunmetal (629373GUM)
- Visible parts in Black - Puro (629373PUR)
- Manual drain kit (629372)
- Chopping board, bamboo (629044)
- Chopping board Fibre-Rock (629184)
- Strainer bowl (629043)
- Corner bowl (629733)
- Design Drip Rack (629725S)

- Design Drip Rack (629725EDM)
- Design Drip Rack (629725COP)
- 2x2 Design Drip Rack (629724S)
- 2x2 Design Drip Rack (629724EDM)
- Wire basket (629171)
- Ladon (629016)
- Comfopush, CHR (629891CHR)
- Comfopush, EDM (629891EDM)
- Wastecap (628152)

TOPMOUNT

UNDERMOUNT

CRISTADUR® CLASSIC LINE

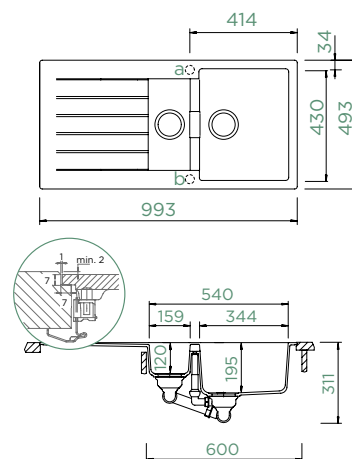
- | | |
|----------------|--------------|
| ● SIGD150A PUR | SIGD150U PUR |
| ● SIGD150A MAG | SIGD150U MAG |
| ● SIGD150A CAR | SIGD150U CAR |
| ● SIGD150A STO | SIGD150U STO |
| ● SIGD150A BRO | SIGD150U BRO |
| ● SIGD150A SIL | SIGD150U SIL |
| ○ SIGD150A MGL | SIGD150U MGL |
| ○ SIGD150A POL | SIGD150U POL |



SIGNUS D-150

FLUSHMOUNT

Cabinet size: **60 cm**
 Inner dimension of the bowl:
344 × 430 × 195 mm
 Installation: **reversible**
 Cut-out size flushmount:
995 × 495 mm
 Worktop for built-in
 dishwasher: **23 mm**



Accessories:

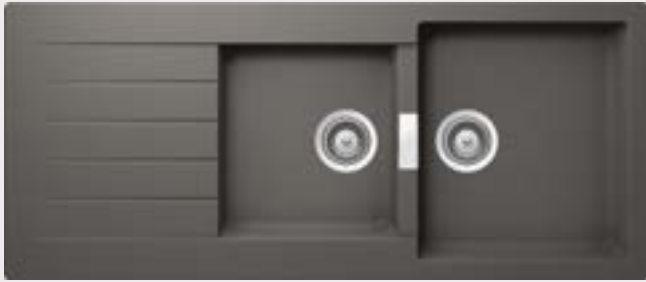
- Automatic drain kit (629373PD)
- Visible parts in stainless steel (629373EDM)
- Visible parts in White Gold (629373WGO)
- Visible parts in Copper (629373COP)
- Visible parts in Gunmetal (629373GUM)
- Visible parts in Black - Puro (629373PUR)
- Manual drain kit (629372)
- Chopping board, bamboo (629044)
- Chopping board Fibre-Rock (629184)
- Strainer bowl (629043)
- Corner bowl (629733)
- Design Drip Rack (629725S)

- Design Drip Rack (629725EDM)
- Design Drip Rack (629725COP)
- 2x2 Design Drip Rack (629724S)
- 2x2 Design Drip Rack (629724EDM)
- Wire basket (629171)
- Ladon (629016)
- Comfopush, CHR (629891CHR)
- Comfopush, EDM (629891EDM)
- Wastecap (628152)

FLUSHMOUNT

CRISTADUR® CLASSIC LINE

- | |
|-----------------|
| ● SIGD150FB PUR |
| ● SIGD150FB MAG |
| ● SIGD150FB CAR |
| ● SIGD150FB STO |
| ● SIGD150FB BRO |
| ● SIGD150FB SIL |
| ○ SIGD150FB MGL |
| ○ SIGD150FB POL |



SIGNUS D-200

TOPMOUNT/UNDERMOUNT

Cabinet size: **80 cm**

Inner dimension of the bowl:

378 × 430 × 195 mm

Installation: **reversible**

Cut-out size topmount:

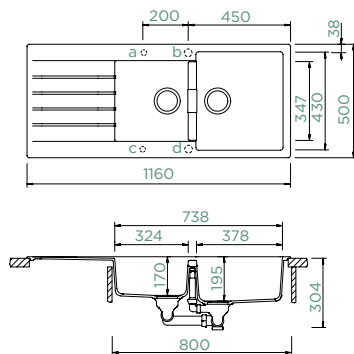
1140 × 480 mm

Cut-out size undermount:

1146 × 486 mm

Worktop for built-in

dishwasher: **15 mm**



Accessories:

Automatic drain kit (629373PD)

Visible parts in stainless steel
(629373EDM)

Visible parts in White Gold
(629373WGO)

Visible parts in Copper (629373COP)

Visible parts in Gunmetal (629373GUM)

Visible parts in Black - Puro (629373PUR)

Manual drain kit (629372)

Chopping board, bamboo (629044)

Chopping board Fibre-Rock (629184)

Design Drip Rack (629725S)

Design Drip Rack (629725EDM)

Design Drip Rack (629725COP)

2x2 Design Drip Rack (629724S)

2x2 Design Drip Rack (629724EDM)

Corner bowl (629733)

Wire basket (629171)

Amur (629014)

Ladon (629016)

Samo CHR (629169CHR)

Samo EDM (629169EDM)

Samo WGO (629169WGO)

Samo COP (629169COP)

Samo GUM (629169GUM)

Samo PUR (629169S)

Comfopush, CHR (629891CHR)

Comfopush, EDM (629891EDM)

Wastecap (628152)

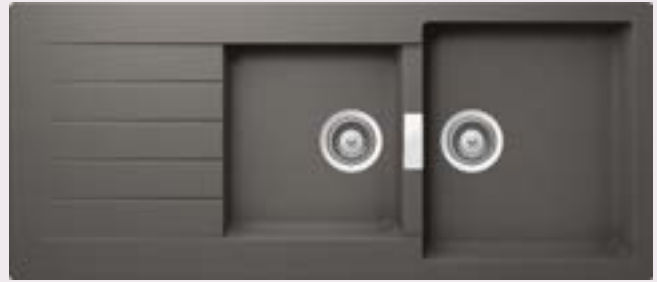
TOPMOUNT

UNDERMOUNT

CRISTADUR® CLASSIC LINE

- SIGD200A PUR
- SIGD200A MAG
- SIGD200A CAR
- SIGD200A STO
- SIGD200A BRO
- SIGD200A SIL
- SIGD200A MGL
- SIGD200A POL

- SIGD200U PUR
- SIGD200U MAG
- SIGD200U CAR
- SIGD200U STO
- SIGD200U BRO
- SIGD200U SIL
- SIGD200U MGL
- SIGD200U POL



SIGNUS D-200

FLUSHMOUNT

Cabinet size: **80 cm**

Inner dimension of the bowl:

378 × 430 × 195 mm

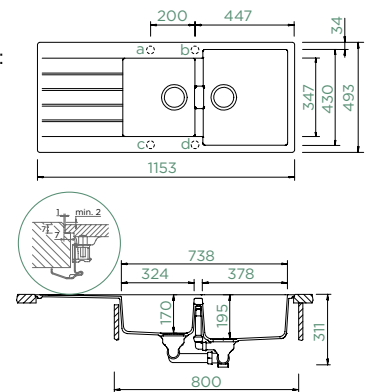
Installation: **reversible**

Cut-out size flushmount:

1155 × 495 mm

Worktop for built-in

dishwasher: **23 mm**



Accessories:

Automatic drain kit (629373PD)

Visible parts in stainless steel
(629373EDM)

Visible parts in White Gold
(629373WGO)

Visible parts in Copper (629373COP)

Visible parts in Gunmetal (629373GUM)

Visible parts in Black - Puro (629373PUR)

Manual drain kit (629372)

Chopping board, bamboo (629044)

Chopping board Fibre-Rock (629184)

Design Drip Rack (629725S)

Design Drip Rack (629725EDM)

Design Drip Rack (629725COP)

2x2 Design Drip Rack (629724S)

2x2 Design Drip Rack (629724EDM)

Corner bowl (629733)

Wire basket (629171)

Amur (629014)

Ladon (629016)

Samo CHR (629169CHR)

Samo EDM (629169EDM)

Samo WGO (629169WGO)

Samo COP (629169COP)

Samo GUM (629169GUM)

Samo PUR (629169S)

Comfopush, CHR (629891CHR)

Comfopush, EDM (629891EDM)

Wastecap (628152)

FLUSHMOUNT

CRISTADUR® CLASSIC LINE

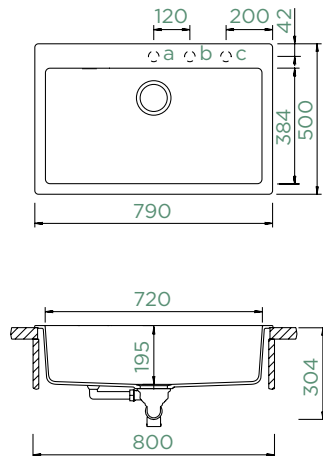
- SIGD200FB PUR
- SIGD200FB MAG
- SIGD200FB CAR
- SIGD200FB STO
- SIGD200FB BRO
- SIGD200FB SIL
- SIGD200FB MGL
- SIGD200FB POL



SIGNUS N-100XL

TOPMOUNT/UNDERMOUNT

Cabinet size: **80 cm**
 Inner dimension of the bowl:
720 × 384 × 195 mm
 Installation: **fixed**
 Cut-out size topmount:
770 × 480 mm
 Cut-out size undermount:
775 × 485 mm



Accessories:

- Automatic drain kit (629307PD)
- Visible parts in stainless steel (629307EDM)
- Visible Parts in White Gold (629307WGO)
- Visible Parts in Copper (629307COP)
- Visible parts in Gunmetal (629307GUM)
- Visible Parts in Black - Puro (629307PUR)
- Manual drain kit (629309)
- Chopping board, bamboo (629044)
- Chopping board Fibre-Rock (629184)
- Silicone Drain Mat (629188)
- Silicone Drain Mat Short (629189)
- Design Drip Rack (629725S)
- Design Drip Rack (629725EDM)
- Design Drip Rack (629725COP)

- 2x2 Design Drip Rack (629724S)
- 2x2 Design Drip Rack (629724EDM)
- Corner bowl (629733)
- Amur (629014)
- Ladon (629016)
- Samo CHR (629169CHR)
- Samo EDM (629169EDM)
- Samo WGO (629169WGO)
- Samo COP (629169COP)
- Samo GUM (629169GUM)
- Samo PUR (629169S)
- Comfopush, CHR (629891CHR)
- Comfopush, EDM (629891EDM)
- Wastecap (628152)

TOPMOUNT

UNDERMOUNT

CRISTADUR® CLASSIC LINE

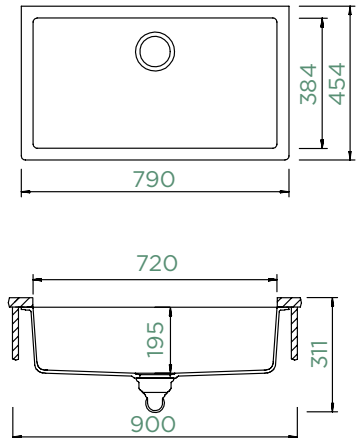
- SIGN100XLA PUR
- SIGN100XLA MAG
- SIGN100XLA CAR
- SIGN100XLA STO
- SIGN100XLA BRO
- SIGN100XLA SIL
- SIGN100XLA MGL
- SIGN100XLA POL

- SIGN100XLU PUR
- SIGN100XLU MAG
- SIGN100XLU CAR
- SIGN100XLU STO
- SIGN100XLU BRO
- SIGN100XLU SIL
- SIGN100XLU MGL
- SIGN100XLU POL



SIGNUS N-100XLY

Cabinet size: **90 cm**
 Inner dimension of the bowl:
720 × 384 × 195 mm
 Installation: **fixed**
 Cut-out size undermount:
720 × 384 mm



Accessories:

- Automatic drain kit (629307PD)
- Visible parts in stainless steel (629307EDM)
- Visible Parts in White Gold (629307WGO)
- Visible Parts in Copper (629307COP)
- Visible parts in Gunmetal (629307GUM)
- Visible Parts in Black - Puro (629307PUR)
- Manual drain kit (629309)

- Silicone Drain Mat (629188)
- Silicone Drain Mat Short (629189)
- Corner bowl (629733)
- Ladon (629016)
- Comfopush, CHR (629891CHR)
- Comfopush, EDM (629891EDM)
- Wastecap (628152)

UNDERMOUNT

CRISTADUR® CLASSIC LINE

- SIGN100XLYU PUR
- SIGN100XLYU MAG
- SIGN100XLYU CAR
- SIGN100XLYU STO
- SIGN100XLYU BRO
- SIGN100XLYU SIL
- SIGN100XLYU MGL
- SIGN100XLYU POL



SIGNUS C-150

TOPMOUNT/UNDERMOUNT

Cabinet size: **90 x 90 cm**

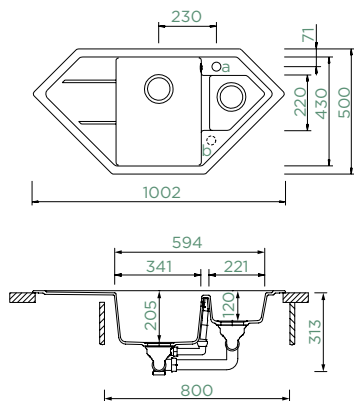
Inner dimension of the bowl:

341 x 430 x 205 mm

Installation: **bowl right**

Cut-out size topmount:
according to template

Cut-out size undermount:
according to template



Accessories:

Automatic drain kit (629305PD)

Visible parts in stainless steel
(629305EDM)

Visible parts in White Gold
(629305WGO)

Visible parts in Copper (629305COP)

Visible parts in Gunmetal (629305GUM)

Visible parts in Black - Puro
(629305PUR)

Manual drain kit (629304)

Chopping board, bamboo (629044)

Chopping board Fibre-Rock (629184)

Design Drip Rack (629725S)

Design Drip Rack (629725EDM)

Design Drip Rack (629725COP)

2x2 Design Drip Rack (629724S)

2x2 Design Drip Rack (629724EDM)

Wire basket (629171)

Ladon (629016)

Comfopush, CHR (629891CHR)

Comfopush, EDM (629891EDM)

Wastecap (628152)

TOPMOUNT

UNDERMOUNT

CRISTADUR® CLASSIC LINE

- SIGC150A PUR
- SIGC150A MAG
- SIGC150A CAR
- SIGC150A STO
- SIGC150A BRO
- SIGC150A SIL
- SIGC150A MGL
- SIGC150A POL

- SIGC150U PUR
- SIGC150U MAG
- SIGC150U CAR
- SIGC150U STO
- SIGC150U BRO
- SIGC150U SIL
- SIGC150U MGL
- SIGC150U POL



SIGNUS C-150

FLUSHMOUNT

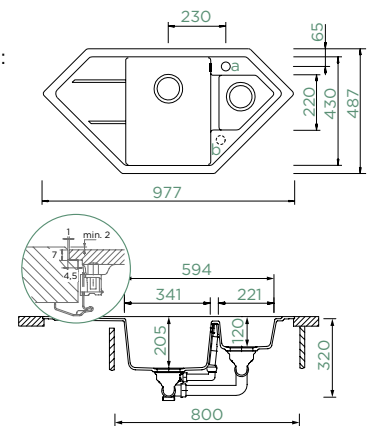
Cabinet size: **90 x 90 cm**

Inner dimension of the bowl:

341 x 430 x 205 mm

Installation: **bowl right**

Cut-out size flushmount:
according to template



Accessories:

Automatic drain kit (629305PD)

Visible parts in stainless steel
(629305EDM)

Visible parts in White Gold
(629305WGO)

Visible parts in Copper (629305COP)

Visible parts in Gunmetal (629305GUM)

Visible parts in Black - Puro
(629305PUR)

Manual drain kit (629304)

Chopping board, bamboo (629044)

Chopping board Fibre-Rock (629184)

Design Drip Rack (629725S)

Design Drip Rack (629725EDM)

Design Drip Rack (629725COP)

2x2 Design Drip Rack (629724S)

2x2 Design Drip Rack (629724EDM)

Wire basket (629171)

Ladon (629016)

Comfopush, CHR (629891CHR)

Comfopush, EDM (629891EDM)

Wastecap (628152)

FLUSHMOUNT

CRISTADUR® CLASSIC LINE

- SIGC150FB PUR
- SIGC150FB MAG
- SIGC150FB CAR
- SIGC150FB STO
- SIGC150FB BRO
- SIGC150FB SIL
- SIGC150FB MGL
- SIGC150FB POL





SUPRA

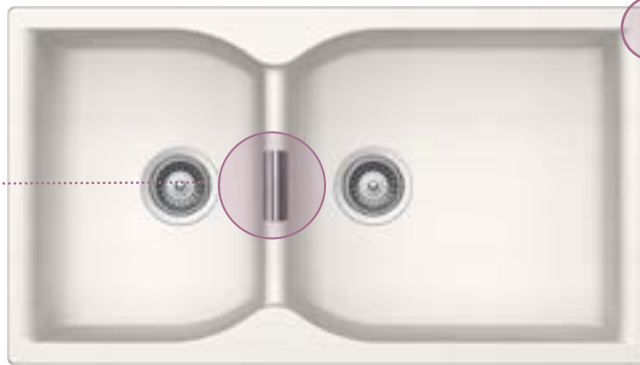
Tap model **Epos** in Chrome on sink model **Supra N-175** in Stone



N-175



Designer overflow



Smooth contours that are even easier to clean

Deep bowl
(e.g. for filling tall vases or pots & pans)



More accessories on p. 216

Silicone drain mat



Wastecap





SUPRA N-175

TOPMOUNT/UNDERMOUNT

Cabinet size: **90 cm**

Inner dimension of the bowl:

475 × 448 × 230 mm

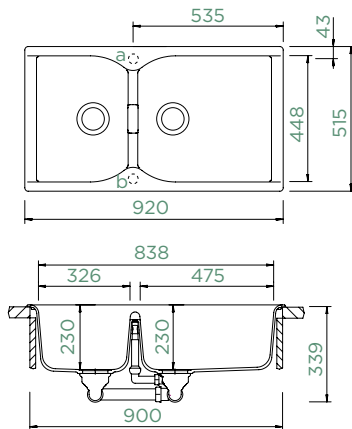
Installation: **reversible**

Cut-out size topmount:

900 × 495 mm

Cut-out size undermount:

906 × 501 mm



Accessories:

Automatic drain kit (629356PD)

Manual drain kit (629355)

Silicone Drain Mat (629188)

Silicone Drain Mat Short (629189)

Wastecap (628152)

TOPMOUNT

UNDERMOUNT

CRISTADUR® CLASSIC LINE

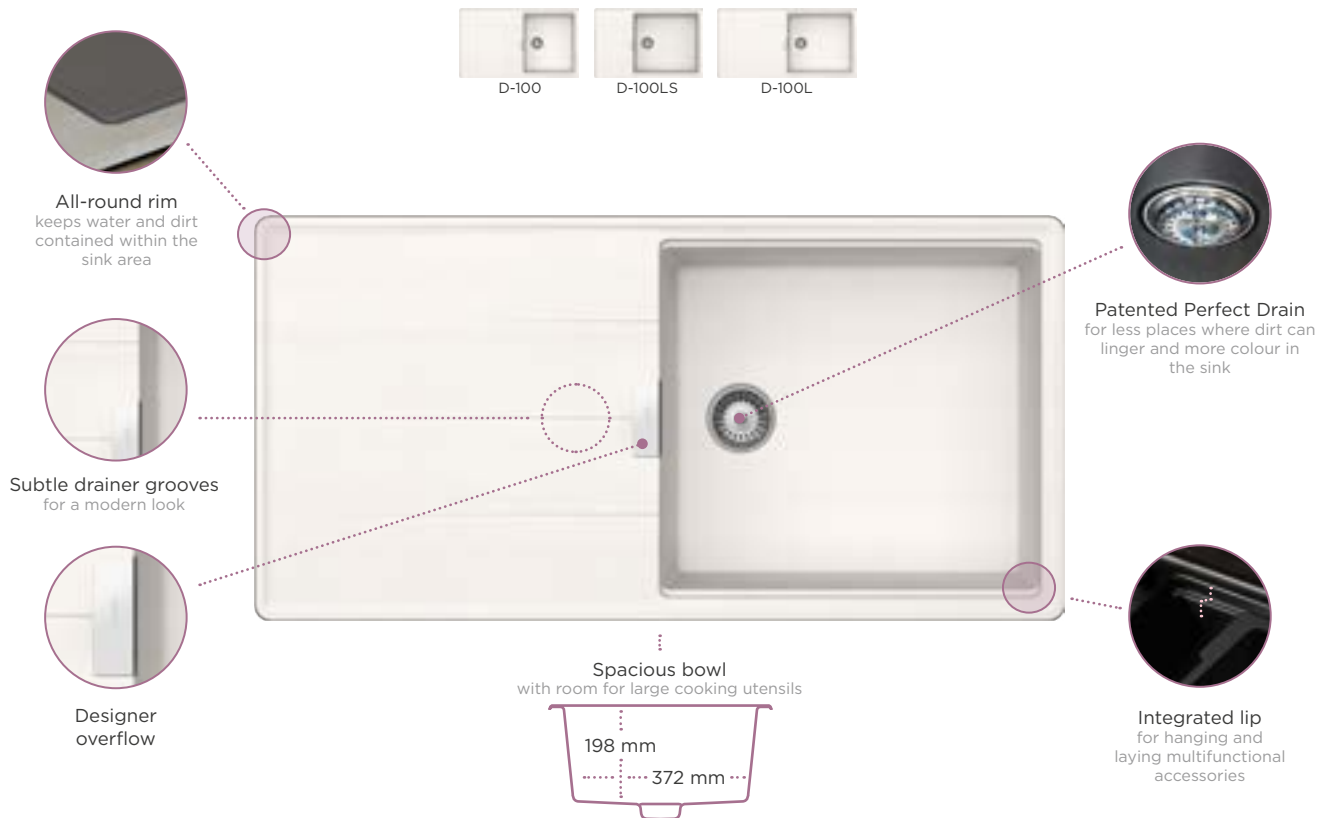
- SUPN175A PUR
- SUPN175A MAG
- SUPN175A CAR
- SUPN175A STO
- SUPN175A BRO
- SUPN175A SIL
- SUPN175A MGL
- SUPN175A POL

- SUPN175U PUR
- SUPN175U MAG
- SUPN175U CAR
- SUPN175U STO
- SUPN175U BRO
- SUPN175U SIL
- SUPN175U MGL
- SUPN175U POL



TIA

Tap model **Tanos** in Black on sink model **Tia D-100L** in Silverstone



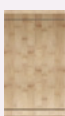
More accessories on p. 216

Fibre-Rock chopping board



(629184)

Wooden chopping board



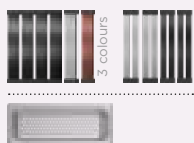
(629044)

Functional bowl set



7-piece
(629726)

Drain rack, Gastronorm



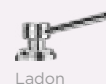
3 colours

2 colours

Trim



Soap dispenser



Ladon

Comfopush





TIA D-100

TOPMOUNT/UNDERMOUNT

Cabinet size: **50 cm**

Inner dimension of the bowl:

372 × 427 × 198 mm

Installation: **reversible**

Cut-out size topmount:

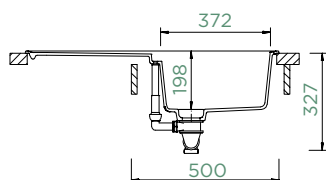
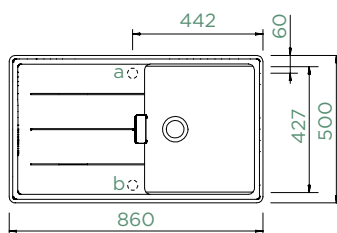
846 × 486 mm

Cut-out size undermount:

836 × 476 mm

Worktop for built-in

dishwasher: **20 mm**



Accessories:

Automatic drain kit (629675PD)

Visible parts in stainless steel (629675EDM)

Visible Parts in White Gold (629675WGO)

Visible Parts in Copper (629675COP)

Visible parts in Gunmetal (629675GUM)

Visible Parts in Black - Puro (629675PUR)

Manual drain kit (629674)

Multifunctional rack (629727)

Functional bowl set Tia (7 parts) (629728)

Gastronorm Container GN 2/8 (629060)

Gastronorm Container GN 2/8 (629061)

Chopping board, bamboo (629044)

Chopping board Fibre-Rock (629184)

Design Drip Rack (629725S)

Design Drip Rack (629725EDM)

Design Drip Rack (629725COP)

Ladon (629016)

Comfopush, CHR (629891CHR)

Comfopush, EDM (629891EDM)

Indutherm (629100)



TIA D-100LS

TOPMOUNT/UNDERMOUNT

Cabinet size: **60 cm**

Inner dimension of the bowl:

472 × 427 × 198 mm

Installation: **reversible**

Cut-out size topmount:

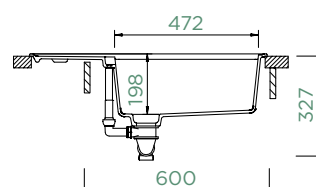
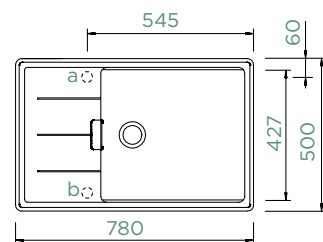
766 × 486 mm

Cut-out size undermount:

756 × 476 mm

Worktop for built-in

dishwasher: **20 mm**



Accessories:

Automatic drain kit (629675PD)

Visible parts in stainless steel (629675EDM)

Visible Parts in White Gold (629675WGO)

Visible Parts in Copper (629675COP)

Visible parts in Gunmetal (629675GUM)

Visible Parts in Black - Puro (629675PUR)

Manual drain kit (629674)

Multifunctional rack (629727)

Functional bowl set Tia (7 parts) (629728)

Gastronorm Container GN 2/8 (629060)

Gastronorm Container GN 2/8 (629061)

Chopping board, bamboo (629044)

Chopping board Fibre-Rock (629184)

Design Drip Rack (629725S)

Design Drip Rack (629725EDM)

Design Drip Rack (629725COP)

Ladon (629016)

Comfopush, CHR (629891CHR)

Comfopush, EDM (629891EDM)

TOPMOUNT

UNDERMOUNT

CRISTADUR® CLASSIC LINE

- TIAD100A PUR
- TIAD100A MAG
- TIAD100A CAR
- TIAD100A STO
- TIAD100A BRO
- TIAD100A SIL
- TIAD100A MGL
- TIAD100A POL

- TIAD100U PUR
- TIAD100U MAG
- TIAD100U CAR
- TIAD100U STO
- TIAD100U BRO
- TIAD100U SIL
- TIAD100U MGL
- TIAD100U POL

TOPMOUNT

UNDERMOUNT

CRISTADUR® CLASSIC LINE

- TIAD100LSA PUR
- TIAD100LSA MAG
- TIAD100LSA CAR
- TIAD100LSA STO
- TIAD100LSA BRO
- TIAD100LSA SIL
- TIAD100LSA MGL
- TIAD100LSA POL

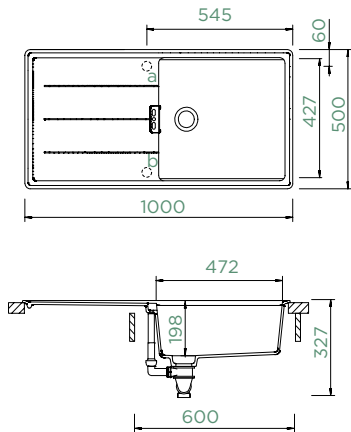
- TIAD100LSU PUR
- TIAD100LSU MAG
- TIAD100LSU CAR
- TIAD100LSU STO
- TIAD100LSU BRO
- TIAD100LSU SIL
- TIAD100LSU MGL
- TIAD100LSU POL



TIA D-100L

TOPMOUNT/UNDERMOUNT

Cabinet size: **60 cm**
 Inner dimension of the bowl:
472 × 427 × 198 mm
 Installation: **reversible**
 Cut-out size topmount:
986 × 486 mm
 Cut-out size undermount:
976 × 476 mm
 Worktop for built-in
 dishwasher: **20 mm**



Accessories:

Automatic drain kit (629675PD)

Visible parts in stainless steel
 (629675EDM)

Visible Parts in White Gold
 (629675WGO)

Visible Parts in Copper (629675COP)

Visible parts in Gunmetal (629675GUM)

Visible Parts in Black - Puro (629675PUR)

Manual drain kit (629674)

Multifunctional rack (629727)

Functional bowl set Tia (7 parts)
 (629728)

Gastronorm Container GN 2/8 (629060)

Gastronorm Container GN 2/8 (629061)

Chopping board, bamboo (629044)

Chopping board Fibre-Rock (629184)

Design Drip Rack (629725S)

Design Drip Rack (629725EDM)

Design Drip Rack (629725COP)

Ladon (629016)

Comfopush, CHR (629891CHR)

Comfopush, EDM (629891EDM)

Indutherm (629100)

TOPMOUNT

UNDERMOUNT

CRISTADUR® CLASSIC LINE

- TIAD100LA PUR
- TIAD100LA MAG
- TIAD100LA CAR
- TIAD100LA STO
- TIAD100LA BRO
- TIAD100LA SIL
- TIAD100LA MGL
- TIAD100LA POL

- TIAD100LU PUR
- TIAD100LU MAG
- TIAD100LU CAR
- TIAD100LU STO
- TIAD100LU BRO
- TIAD100LU SIL
- TIAD100LU MGL
- TIAD100LU POL







TOLEDO

Tap model **Kavus** in Gunmetal on sink model **Toledo D-100** in Stone

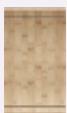
Wide choice of designs



- All-round rim**
keeps water and dirt contained within the sink area
- Smooth corners**
- Most space-saving model with draining board**
- Timeless and purist model**
- Narrow, integrated drainer grooves**

More accessories on p. 216

Wooden chopping board



(629044)

Fibre-Rock chopping board



(629184)

Drain rack, Gastronorm



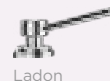
3 colours

2 colours

Trim



Soap dispenser



Ladon

Comfopush Corner dish





TOLEDO D-100XS

TOPMOUNT/UNDERMOUNT

Cabinet size: **45 cm**

Inner dimension of the bowl:

335 × 432 × 175 mm

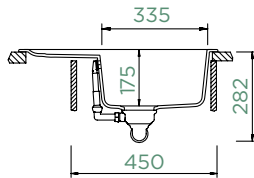
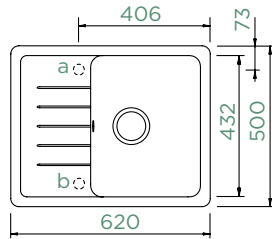
Installation: **reversible**

Cut-out size topmount:

600 × 480 mm

Cut-out size undermount:

606 × 486 mm



Accessories:

- Automatic drain kit (629313PD)
- Visible parts in White Gold (629313WGO)
- Visible parts in Copper (629313COP)
- Visible parts in stainless steel (629313EDM)
- Visible parts in Gunmetal (629313GUM)
- Visible parts in Black - Puro (629313PUR)
- Manual drain kit (629314)
- Chopping board, bamboo (629044)
- Chopping board Fibre-Rock (629184)
- Design Drip Rack (629725S)
- Design Drip Rack (629725EDM)
- Design Drip Rack (629725COP)
- 2x2 Design Drip Rack (629724S)

- 2x2 Design Drip Rack (629724EDM)
- Corner bowl (629733)
- Ladon (629016)
- Comfopush, CHR (629891CHR)
- Comfopush, EDM (629891EDM)
- Wastecap (628152)

TOPMOUNT

UNDERMOUNT

CRISTADUR® CLASSIC LINE

- | | |
|------------------|----------------|
| ● TOLD100XSA PUR | TOLD100XSU PUR |
| ● TOLD100XSA MAG | TOLD100XSU MAG |
| ● TOLD100XSA CAR | TOLD100XSU CAR |
| ● TOLD100XSA STO | TOLD100XSU STO |
| ● TOLD100XSA BRO | TOLD100XSU BRO |
| ● TOLD100XSA SIL | TOLD100XSU SIL |
| ○ TOLD100XSA MGL | TOLD100XSU MGL |
| ○ TOLD100XSA POL | TOLD100XSU POL |



TOLEDO D-100

TOPMOUNT/UNDERMOUNT

Cabinet size: **50 cm**

Inner dimension of the bowl:

385 × 432 × 175 mm

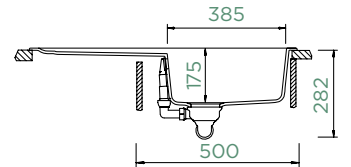
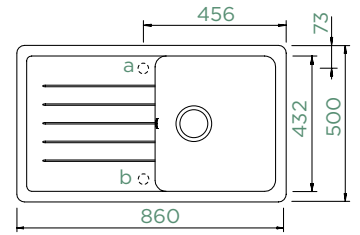
Installation: **reversible**

Cut-out size topmount:

840 × 480 mm

Cut-out size undermount:

846 × 486 mm



Accessories:

- Automatic drain kit (629313PD)
- Visible parts in stainless steel (629313EDM)
- Visible parts in White Gold (629313WGO)
- Visible parts in Copper (629313COP)
- Visible parts in Gunmetal (629313GUM)
- Visible parts in Black - Puro (629313PUR)
- Manual drain kit (629314)
- Chopping board, bamboo (629044)
- Chopping board Fibre-Rock (629184)
- Design Drip Rack (629725S)
- Design Drip Rack (629725EDM)
- Design Drip Rack (629725COP)
- 2x2 Design Drip Rack (629724S)

- 2x2 Design Drip Rack (629724EDM)
- Corner bowl (629733)
- Ladon (629016)
- Comfopush, CHR (629891CHR)
- Comfopush, EDM (629891EDM)
- Wastecap (628152)

TOPMOUNT

UNDERMOUNT

CRISTADUR® CLASSIC LINE

- | | |
|----------------|--------------|
| ● TOLD100A PUR | TOLD100U PUR |
| ● TOLD100A MAG | TOLD100U MAG |
| ● TOLD100A CAR | TOLD100U CAR |
| ● TOLD100A STO | TOLD100U STO |
| ● TOLD100A BRO | TOLD100U BRO |
| ● TOLD100A SIL | TOLD100U SIL |
| ○ TOLD100A MGL | TOLD100U MGL |
| ○ TOLD100A POL | TOLD100U POL |



TOLEDO D-100L

TOPMOUNT/UNDERMOUNT

Cabinet size: **60 cm**

Inner dimension of the bowl:

485 × 432 × 175 mm

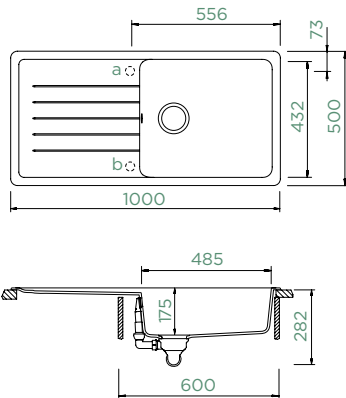
Installation: **reversible**

Cut-out size topmount:

980 × 480 mm

Cut-out size undermount:

986 × 486 mm



Accessories:

Automatic drain kit (629313PD)

Visible parts in stainless steel (629313EDM)

Visible parts in White Gold (629313WGO)

Visible parts in Copper (629313COP)

Visible parts in Gunmetal (629313GUM)

Visible parts in Black - Puro (629313PUR)

Manual drain kit (629314)

Chopping board, bamboo (629044)

Chopping board Fibre-Rock (629184)

Design Drip Rack (629725S)

Design Drip Rack (629725EDM)

Design Drip Rack (629725COP)

2x2 Design Drip Rack (629724S)

2x2 Design Drip Rack (629724EDM)

Corner bowl (629733)

Ladon (629016)

Comfopush, CHR (629891CHR)

Comfopush, EDM (629891EDM)

Wastecap (628152)

TOPMOUNT

UNDERMOUNT

CRISTADUR® CLASSIC LINE

- TOLD100LA PUR
- TOLD100LA MAG
- TOLD100LA CAR
- TOLD100LA STO
- TOLD100LA BRO
- TOLD100LA SIL
- TOLD100LA MGL
- TOLD100LA POL

- TOLD100LU PUR
- TOLD100LU MAG
- TOLD100LU CAR
- TOLD100LU STO
- TOLD100LU BRO
- TOLD100LU SIL
- TOLD100LU MGL
- TOLD100LU POL



TOLEDO D-150

TOPMOUNT/UNDERMOUNT

Cabinet size: **60 cm**

Inner dimension of the bowl:

350 × 432 × 175 mm

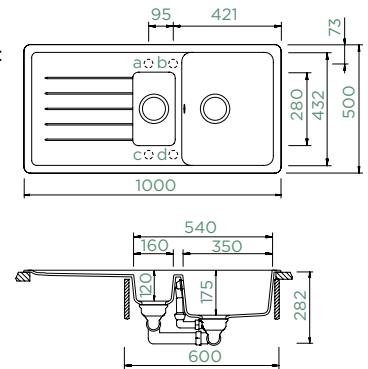
Installation: **reversible**

Cut-out size topmount:

980 × 480 mm

Cut-out size undermount:

986 × 486 mm



Accessories:

Automatic drain kit (629305PD)

Visible parts in stainless steel (629305EDM)

Visible parts in White Gold (629305WGO)

Visible parts in Copper (629305COP)

Visible parts in Gunmetal (629305GUM)

Visible parts in Black - Puro (629305PUR)

Manual drain kit (629304)

Chopping board, bamboo (629044)

Chopping board Fibre-Rock (629184)

Design Drip Rack (629725S)

Design Drip Rack (629725EDM)

Design Drip Rack (629725COP)

2x2 Design Drip Rack (629724S)

2x2 Design Drip Rack (629724EDM)

Corner bowl (629733)

Amur (629014)

Ladon (629016)

Samo CHR (629169CHR)

Samo EDM (629169EDM)

Samo WGO (629169WGO)

Samo COP (629169COP)

Samo GUM (629169GUM)

Samo PUR (629169S)

Comfopush, CHR (629891CHR)

Comfopush, EDM (629891EDM)

Wastecap (628152)

TOPMOUNT

UNDERMOUNT

CRISTADUR® CLASSIC LINE

- TOLD150A PUR
- TOLD150A MAG
- TOLD150A CAR
- TOLD150A STO
- TOLD150A BRO
- TOLD150A SIL
- TOLD150A MGL
- TOLD150A POL

- TOLD150U PUR
- TOLD150U MAG
- TOLD150U CAR
- TOLD150U STO
- TOLD150U BRO
- TOLD150U SIL
- TOLD150U MGL
- TOLD150U POL



TOLEDO D-200

TOPMOUNT/UNDERMOUNT

Cabinet size: **80 cm**

Inner dimension of the bowl:

337 × 432 × 175 mm

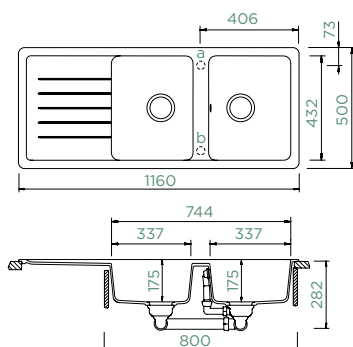
Installation: **reversible**

Cut-out size topmount:

1140 × 480 mm

Cut-out size undermount:

1146 × 486 mm



Accessories:

Automatic drain kit (629305PD)

Visible parts in stainless steel (629305EDM)

Visible parts in White Gold (629305WGO)

Visible parts in Copper (629305COP)

Visible parts in Gunmetal (629305GUM)

Visible parts in Black - Puro (629305PUR)

Manual drain kit (629304)

Chopping board, bamboo (629044)

Chopping board Fibre-Rock (629184)

Design Drip Rack (629725S)

Design Drip Rack (629725EDM)

Design Drip Rack (629725COP)

2x2 Design Drip Rack (629724EDM)

2x2 Design Drip Rack (629724S)

Corner bowl (629733)

Ladon (629016)

Comfopush, CHR (629891CHR)

Comfopush, EDM (629891EDM)

Wastecap (628152)

TOPMOUNT

UNDERMOUNT

CRISTADUR® CLASSIC LINE

- TOLD200A PUR
- TOLD200A MAG
- TOLD200A CAR
- TOLD200A STO
- TOLD200A BRO
- TOLD200A SIL
- TOLD200A MGL
- TOLD200A POL

- TOLD200U PUR
- TOLD200U MAG
- TOLD200U CAR
- TOLD200U STO
- TOLD200U BRO
- TOLD200U SIL
- TOLD200U MGL
- TOLD200U POL





WATERFALL

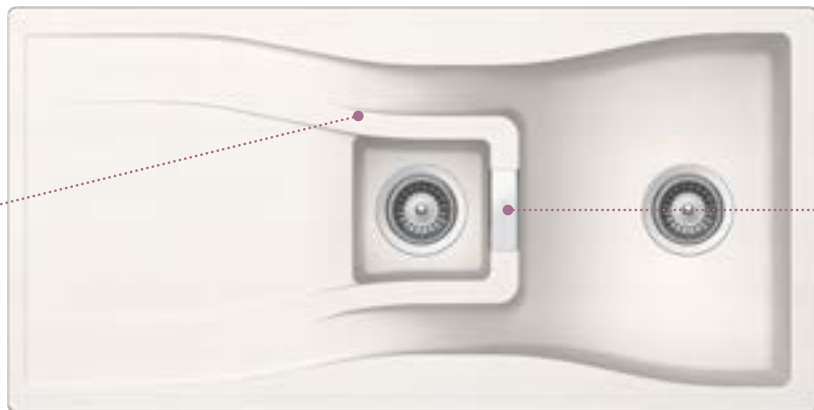
Tap model **SC-520** in Rouge on sink model **Waterfall D-100** in Rouge



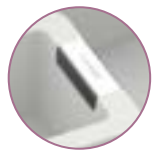
D-100



D-150



Clean design language



Designer overflow



Unique design

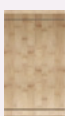
More accessories on p. 216

Fibre-Rock chopping board



(629184)

Wooden chopping board



(629044)

Drain rack, Gastronorm



3 colours

2 colours

Trim



Soap dispenser



Comfopush Corner dish

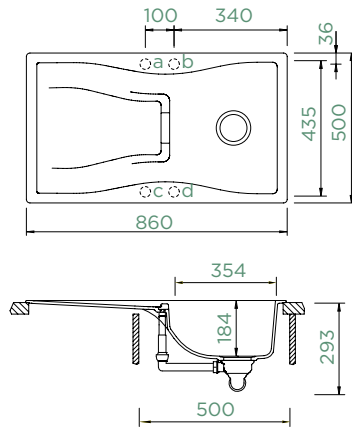




WATERFALL D-100

TOPMOUNT/UNDERMOUNT

Cabinet size: **50 cm**
 Inner dimension of the bowl:
354 × 435 × 184 mm
 Installation: **reversible**
 Cut-out size topmount:
840 × 480 mm
 Cut-out size undermount:
846 × 486 mm
 Worktop for built-in
 dishwasher: **25 mm**



Accessories:

- Automatic drain kit (629371PD)
- Visible parts in stainless steel (629371EDM)
- Visible parts in White Gold (629371WGO)
- Visible parts in Copper (629371COP)
- Visible parts in Gunmetal (629371GUM)
- Visible parts in Black - Puro (629371PUR)
- Manual drain kit (629370)
- Chopping board, bamboo (629044)
- Chopping board Fibre-Rock (629184)
- Design Drip Rack (629725S)
- Design Drip Rack (629725EDM)
- Design Drip Rack (629725COP)
- 2x2 Design Drip Rack (629724EDM)
- 2x2 Design Drip Rack (629724S)

- Corner bowl (629733)
- Amur (629014)
- Ladon (629016)
- Samo CHR (629169CHR)
- Samo EDM (629169EDM)
- Samo WGO (629169WGO)
- Samo COP (629169COP)
- Samo GUM (629169GUM)
- Samo PUR (629169S)
- Comfopush, CHR (629891CHR)
- Comfopush, EDM (629891EDM)
- Wastecap (628152)

TOPMOUNT

UNDERMOUNT

CRISTADUR® CLASSIC LINE

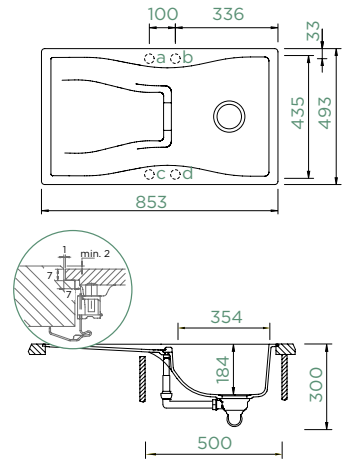
- WATD100A PUR
- WATD100A MAG
- WATD100A CAR
- WATD100A STO
- WATD100A BRO
- WATD100A SIL
- WATD100A MGL
- WATD100A POL
- WATD100A ROU

- WATD100U PUR
- WATD100U MAG
- WATD100U CAR
- WATD100U STO
- WATD100U BRO
- WATD100U SIL
- WATD100U MGL
- WATD100U POL
- WATD100U ROU

WATERFALL D-100

FLUSHMOUNT

Cabinet size: **50 cm**
 Inner dimension of the bowl:
354 × 435 × 184 mm
 Installation: **reversible**
 Cut-out size flushmount:
855 × 495 mm
 Worktop for built-in
 dishwasher: **33 mm**



Accessories:

- Automatic drain kit (629371PD)
- Visible parts in stainless steel (629371EDM)
- Visible parts in White Gold (629371WGO)
- Visible parts in Copper (629371COP)
- Visible parts in Gunmetal (629371GUM)
- Visible parts in Black - Puro (629371PUR)
- Manual drain kit (629370)
- Chopping board, bamboo (629044)
- Chopping board Fibre-Rock (629184)
- Design Drip Rack (629725S)
- Design Drip Rack (629725EDM)
- Design Drip Rack (629725COP)
- 2x2 Design Drip Rack (629724EDM)
- 2x2 Design Drip Rack (629724S)

- Corner bowl (629733)
- Amur (629014)
- Ladon (629016)
- Samo CHR (629169CHR)
- Samo EDM (629169EDM)
- Samo WGO (629169WGO)
- Samo COP (629169COP)
- Samo GUM (629169GUM)
- Samo PUR (629169S)
- Comfopush, CHR (629891CHR)
- Comfopush, EDM (629891EDM)
- Wastecap (628152)

FLUSHMOUNT

CRISTADUR® CLASSIC LINE

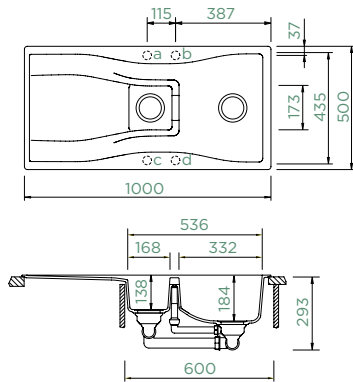
- WATD100FB PUR
- WATD100FB MAG
- WATD100FB CAR
- WATD100FB STO
- WATD100FB BRO
- WATD100FB SIL
- WATD100FB MGL
- WATD100FB POL
- WATD100FB ROU



WATERFALL D-150

TOPMOUNT/UNDERMOUNT

Cabinet size: **60 cm**
 Inner dimension of the bowl:
332 × 435 × 184 mm
 Installation: **reversible**
 Cut-out size topmount:
980 × 480 mm
 Cut-out size undermount:
986 × 486 mm
 Worktop for built-in
 dishwasher: **22 mm**



Accessories:

- Automatic drain kit (629366PD)
- Visible parts in stainless steel (629366EDM)
- Visible parts in White Gold (629366WGO)
- Visible parts in Copper (629366COP)
- Visible parts in Gunmetal (629366GUM)
- Visible parts in Black - Puro (629366PUR)
- Manual drain kit (629365)
- Chopping board, bamboo (629044)
- Chopping board Fibre-Rock (629184)
- Design Drip Rack (629725S)
- Design Drip Rack (629725EDM)
- Design Drip Rack (629725COP)

- 2x2 Design Drip Rack (629724S)
- 2x2 Design Drip Rack (629724EDM)
- Corner bowl (629733)
- Amur (629014)
- Ladon (629016)
- Samo CHR (629169CHR)
- Samo EDM (629169EDM)
- Samo WGO (629169WGO)
- Samo COP (629169COP)
- Samo GUM (629169GUM)
- Samo PUR (629169S)
- Comfopush, CHR (629891CHR)
- Comfopush, EDM (629891EDM)
- Wastecap (628152)

TOPMOUNT

UNDERMOUNT

CRISTADUR® CLASSIC LINE

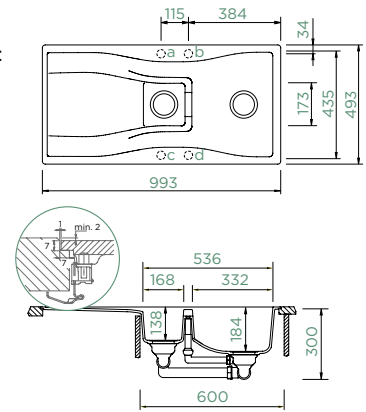
- | | |
|----------------|--------------|
| ● WATD150A PUR | WATD150U PUR |
| ● WATD150A MAG | WATD150U MAG |
| ● WATD150A CAR | WATD150U CAR |
| ● WATD150A STO | WATD150U STO |
| ● WATD150A BRO | WATD150U BRO |
| ● WATD150A SIL | WATD150U SIL |
| ○ WATD150A MGL | WATD150U MGL |
| ○ WATD150A POL | WATD150U POL |
| ● WATD150A ROU | WATD150U ROU |



WATERFALL D-150

FLUSHMOUNT

Cabinet size: **60 cm**
 Inner dimension of the bowl:
332 × 435 × 184 mm
 Installation: **reversible**
 Cut-out size flushmount:
995 × 495 mm
 Worktop for built-in
 dishwasher: **30 mm**



Accessories:

- Automatic drain kit (629366PD)
- Visible parts in stainless steel (629366EDM)
- Visible parts in White Gold (629366WGO)
- Visible parts in Copper (629366COP)
- Visible parts in Gunmetal (629366GUM)
- Visible parts in Black - Puro (629366PUR)
- Manual drain kit (629365)
- Chopping board, bamboo (629044)
- Chopping board Fibre-Rock (629184)
- Design Drip Rack (629725S)
- Design Drip Rack (629725EDM)
- Design Drip Rack (629725COP)

- 2x2 Design Drip Rack (629724S)
- 2x2 Design Drip Rack (629724EDM)
- Corner bowl (629733)
- Amur (629014)
- Ladon (629016)
- Samo CHR (629169CHR)
- Samo EDM (629169EDM)
- Samo WGO (629169WGO)
- Samo COP (629169COP)
- Samo GUM (629169GUM)
- Samo PUR (629169S)
- Comfopush, CHR (629891CHR)
- Comfopush, EDM (629891EDM)
- Wastecap (628152)

FLUSHMOUNT

CRISTADUR® CLASSIC LINE

- WATD150FB PUR
- WATD150FB MAG
- WATD150FB CAR
- WATD150FB STO
- WATD150FB BRO
- WATD150FB SIL
- WATD150FB MGL
- WATD150FB POL
- WATD150FB ROU



WEMBLEY

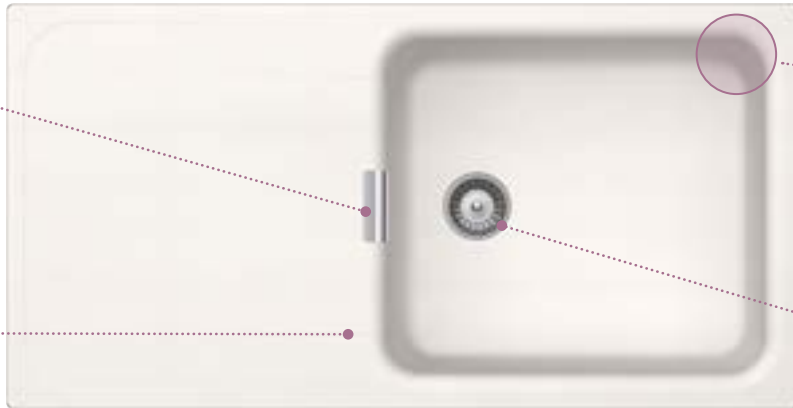
Tap model **Papilio** in Magma on sink model **Wembley D-100** in Magma



Designer overflow



Minimalist drainer grooves for easy cleaning



Smooth contours and smooth corners that are even easier to clean



Patented Perfect Drain for less dirt traps and more colour in the sink

Deep bowl e.g. for filling tall vases or pots & pans



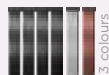
More accessories on p. 216

Wooden chopping board



(629134)

Drain rack, Gastronorm



Trim



Soap dispenser



Ladon

Comfopush





WEMBLEY D-100

TOPMOUNT/UNDERMOUNT

Cabinet size: **50 cm**

Inner dimension of the bowl:

372 × 424 × 200 mm

Installation: **reversible**

Cut-out size topmount:

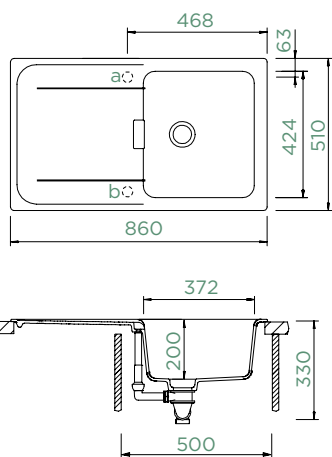
840 × 480 mm

Cut-out size undermount:

844 × 494 mm

Worktop for built-in

dishwasher: **22 mm**



Accessories:

Automatic drain kit (629614PD)

Visible parts in stainless steel
(629614EDM)

Visible parts in White Gold (629614WGO)

Visible parts in Copper (629614COP)

Visible parts in Gunmetal (629614GUM)

Visible parts in Black - Puro (629614PUR)

Manual drain kit (629613)

Chopping board, wood (629134)

Design Drip Rack (629725S)

Design Drip Rack (629725COP)

Design Drip Rack (629725EDM)

2x2 Design Drip Rack (629724EDM)

2x2 Design Drip Rack (629724S)

Ladon (629016)

Comfopush, CHR (629891CHR)

Comfopush, EDM (629891EDM)

Indutherm (629100)

TOPMOUNT

UNDERMOUNT

CRISTADUR® CLASSIC LINE

- WEMD100A MAG
- WEMD100A STO
- WEMD100A BRO
- WEMD100A SIL
- WEMD100A POL

- WEMD100U MAG
- WEMD100U STO
- WEMD100U BRO
- WEMD100U SIL
- WEMD100U POL



WEMBLEY D-100L

TOPMOUNT/UNDERMOUNT

Cabinet size: **60 cm**

Inner dimension of the bowl:

472 × 424 × 200 mm

Installation: **reversible**

Cut-out size topmount:

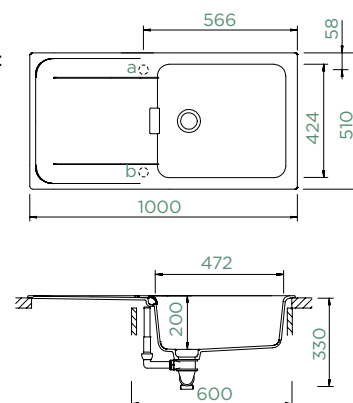
980 × 490 mm

Cut-out size undermount:

984 × 494 mm

Worktop for built-in

dishwasher: **22 mm**



Accessories:

Automatic drain kit (629614PD)

Visible parts in stainless steel
(629614EDM)

Visible parts in White Gold (629614WGO)

Visible parts in Copper (629614COP)

Visible parts in Gunmetal (629614GUM)

Visible parts in Black - Puro (629614PUR)

Manual drain kit (629613)

Chopping board, wood (629134)

Design Drip Rack (629725S)

Design Drip Rack (629725EDM)

Design Drip Rack (629725COP)

2x2 Design Drip Rack (629724EDM)

2x2 Design Drip Rack (629724S)

Ladon (629016)

Comfopush, CHR (629891CHR)

Comfopush, EDM (629891EDM)

Indutherm (629100)

TOPMOUNT

UNDERMOUNT

CRISTADUR® CLASSIC LINE

- WEMD100LA MAG
- WEMD100LA STO
- WEMD100LA BRO
- WEMD100LA SIL
- WEMD100LA POL

- WEMD100LU MAG
- WEMD100LU STO
- WEMD100LU BRO
- WEMD100LU SIL
- WEMD100LU POL



WEMBLEY D-200

TOPMOUNT/UNDERMOUNT

Cabinet size: **80 cm**

Inner dimension of the bowl:

347 × 424 × 200 mm

Installation: **reversible**

Cut-out size topmount:

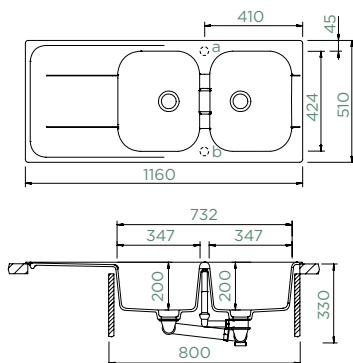
1140 × 480 mm

Cut-out size undermount:

1144 × 494 mm

Worktop for built-in

dishwasher: **22 mm**



Accessories:

Automatic drain kit (629618PD)
Visible parts in stainless steel
(629618EDM)

Visible parts in White Gold (629618WGO)

Visible parts in Copper (629618COP)

Visible parts in Gunmetal (629618GUM)

Visible parts in Black - Puro (629618PUR)

Manual drain kit (629617)

Chopping board, wood (629134)

Design Drip Rack (629725S)

Design Drip Rack (629725EDM)

Design Drip Rack (629725COP)

2x2 Design Drip Rack (629724S)

2x2 Design Drip Rack (629724EDM)

Ladon (629016)

Comfopush, CHR (629891CHR)

Comfopush, EDM (629891EDM)

Indutherm (629100)

TOPMOUNT

UNDERMOUNT

CRISTADUR® CLASSIC LINE

- WEMD200A **MAG**
- WEMD200A **STO**
- WEMD200A **BRO**
- WEMD200A **SIL**
- WEMD200A **POL**

- WEMD200U **MAG**
- WEMD200U **STO**
- WEMD200U **BRO**
- WEMD200U **SIL**
- WEMD200U **POL**



CRISTALITE®
Sinks



CRISTALITE® Colours

CRISTALITE® BASIC LINE

The multifaceted shades of CRISTALITE® can be combined with different material finishes and colours, allowing the sink to be the central dash of colour for a wide range of interior design styles.

Nero GNE (13)
Onyx GON (10)
Inox GIN (12)
Asphalt GAS (43)
Mocha GMC (63)
Inca INC (51)
Concrete GBT (42)
Croma GCR (49)
Sabbia GSA (58)
Terra GTE (38)
Moonstone GMS (08)
Everest GEV (26)
Alpina GDW (07)
Superwhite GSW (01)

CRISTALITE® Sinks

40

EURO N-100



Ⓐ
Ⓤ

p.101

MANHATTAN D-100XS



Ⓐ
Ⓤ

p.127

VIOLA D-100S



Ⓐ
Ⓤ

p.158

45

ELEMENT D-100S



Ⓐ
Ⓤ

p.97

FORMHAUS D-100S



Ⓐ
Ⓤ

p.103

FORMHAUS D-100



Ⓐ
Ⓤ

p.103

LITHOS D-100



Ⓐ
Ⓤ

p.120

MANHATTAN D-100S



Ⓐ
Ⓤ

p.127

MANHATTAN R-100



Ⓐ
Ⓤ

p.129

PRIMUS D-100



Ⓐ
Ⓤ

p.137

45

RONDA D-100



Ⓐ
Ⓤ

p.144

SIGNATURE N-100XS



Ⓐ
Ⓤ
N

p.147

TYPOS D-100S



Ⓐ
Ⓤ

p.153

TYPOS D-100



Ⓐ
Ⓤ

p.153

VIOLA D-100



Ⓐ
Ⓤ

p.158

VIRTUS N-100XS



Ⓐ
Ⓤ
N

p.163

50

BROOKLYN N-100



Ⓐ
Ⓤ

p.83

CITY D-100



Ⓐ
Ⓤ

p.91

LAHTI N-100



Ⓐ
Ⓤ
N

p.117

LIMA D-100S



Ⓐ
Ⓤ
N

p.115

NEMO N-100S



Ⓐ
Ⓤ

p.131

PINEDO D-100



Ⓐ
Ⓤ

p.133

QUADRO N-100S



Ⓐ
Ⓤ

p.141

RONDA D-100L



Ⓐ
Ⓤ

p.144


BROOKLYN N-100L

 (A)
(U)

p.83


FORMHAUS D-150L

 (A)
(U)

p.105


NEMO N-100

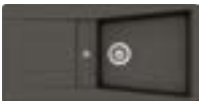
 (A)
(U)

p.131


RONDA D-100XL

 (A)
(U)

p.145

CITY D-100L

 (A)
(U)

p.91

GEMO N-100

 (A)
(U)

p.109

PINEDO D-100L

 (A)
(U)

p.133

TYPOS D-100L

 (A)
(U)

p.154

ELEMENT D-100L

 (A)
(U)

p.97

LAHTI N-100L

 (N)
(A)
(U)

p.117

PINEDO D-150

 (A)
(U)

p.134

TYPOS D-150S

 (A)
(U)

p.154

ELEMENT D-150

 (A)
(U)

p.98

LITHOS D-100L

 (A)
(U)

p.120

PRIMUS D-100L

 (A)
(U)

p.137

TYPOS D-150

 (A)
(U)

p.155

ELEMENT D-150L

 (A)
(U)

p.98

LITHOS D-150

 (A)
(U)

p.121

PRIMUS D-150

 (A)
(U)

p.138

VIOLA D-100L

 (A)
(U)

p.159

FORMHAUS D-100LS

 (N)
(A)
(U)

p.104

MANHATTAN D-100L

 (A)
(U)

p.128

QUADRO N-100

 (A)
(U)

p.141

VIOLA D-150

 (A)
(U)

p.159

FORMHAUS D-100L

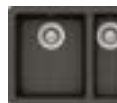
 (A)
(U)

p.104

MANHATTAN D-150S

 (A)
(U)

p.128

QUADRO N-150

 (A)
(U)

p.142

CRISTALITE®

Sinks



BROOKLYN N-100XL



p. 84



FORMHAUS N-200S



p. 106



SIGNATURE N-100S



p. 147



BROOKLYN N-175



p. 84

BROOKLYN N-200



p. 85

GEMO N-100Y



p. 109

TYPOS D-200



p. 155

CHARLOTTE N-200



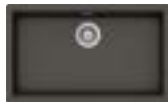
p. 87

CITY D-200



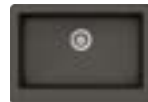
p. 92

LAHTI N-100XL



p. 118

VILLA M-100



p. 81

CHELSEA N-100XL



p. 89

ELEMENT D-200



p. 99

LITHOS D-200



p. 121

VIOLA D-200



p. 160

CHELSEA N-200



p. 89

FORMHAUS D-200



p. 105

LITHOS N-200S



p. 122

VIOLA N-200S



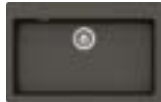
p. 160

CREST N-175



p. 94

PRIMUS N-100XL



p. 138

VIRTUS N-100S



p. 163

CREST N-175Y



p. 94

VIRTUS N-100

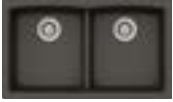


p. 164

CREST N-200



p. 95


CREST N-200Y


p. 95


MADISON N-175Y


p. 124


SIGNATURE N-200


p. 148


GENIUS C-150


p. 111

ELEMENT N-200


p. 99

MADISON N-200


p. 125

TRIBECA N-100XL


p. 151

FORMHAUS N-200


p. 106

MADISON N-200Y


p. 125

TYPOS N-200


p. 156

IMPULSE N-175


p. 113

MANSION M-100L


p. 79

VILLA M-100L


p. 81

IMPULSE N-200


p. 113

PRIMUS N-100XLY


p. 139

VIOLA N-200


p. 161

LITHOS N-200


p. 122

PRIMUS N-200


p. 139

VIRTUS N-100XL

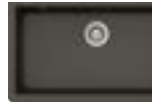

p. 164

MADISON N-175


p. 124

SIGNATURE N-100XL


p. 148

VIRTUS N-100XLY


p. 165



MANSION

Tap model **Sina** in Solid Stainless Steel on sink model **Mansion M-100L** in Nero



M-100L



Integrated lip
for hanging and
laying multifunctional
accessories



Single bowl apron sink
for a modern
farmhouse look

Spacious bowl
with room for large cooking utensils



More accessories on p. 216

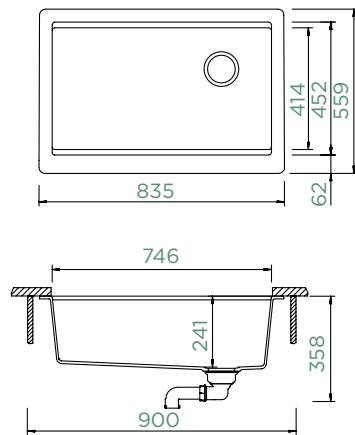


MANSION M-100L

MODULE



Cabinet size: **90 cm**
 Inner dimension of the bowl:
746 × 414 × 241 mm
 Installation: **fixed**
 Cut-out size undermount:
754 × 454 mm



UNDERMOUNT

CRISTALITE® BASIC LINE

- MNSM100LU GNE
- MNSM100LU GDW



VILLA

Tap model **Kavus** in Solid Stainless Steel on sink model **Villa M-100** in Inox



M-100



M-100L



Single bowl apron sink
for a modern
farmhouse look

Spacious bowl
with room for large cooking utensils



More accessories on p. 216

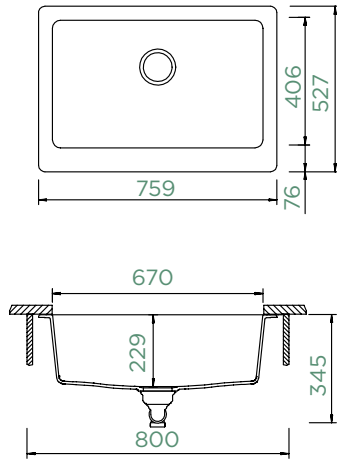


VILLA M-100

UNDERMOUNT



Cabinet size: **80 cm**
 Inner dimension of the bowl:
670 × 406 × 229 mm
 Installation: **fixed**
 Cut-out size undermount:
676 × 422 mm



UNDERMOUNT

CRISTALITE® BASIC LINE

- VILM100M GNE
- VILM100M GON
- VILM100M GIN
- VILM100M GMC
- VILM100M GBT
- VILM100M GCR
- VILM100M GDW

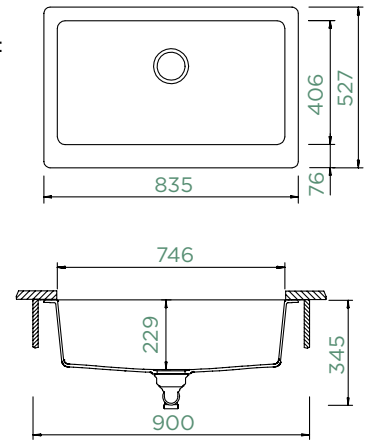


VILLA M-100L

UNDERMOUNT



Cabinet size: **90 cm**
 Inner dimension of the bowl:
746 × 406 × 229 mm
 Installation: **fixed**
 Cut-out size undermount:
754 × 422 mm
 Worktop for built-in
 dishwasher: **20 mm**



UNDERMOUNT

CRISTALITE® BASIC LINE

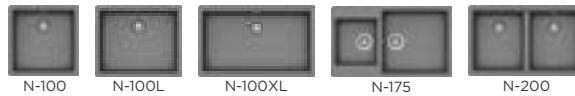
- VILM100LM GNE
- VILM100LM GON
- VILM100LM GIN
- VILM100LM GMC
- VILM100LM GBT
- VILM100LM GCR
- VILM100LM GDW



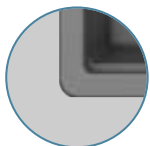
BROOKLYN

Tap model **Hekate** in White on sink model **Brooklyn N-100XL** in Alpina

Wide choice of designs



Patented Perfect Drain
for less dirt traps and more colour in the sink

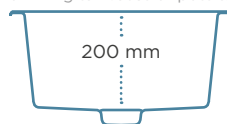


Tight corners - modern look



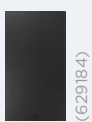
N-100XL, N-200
Integrated lip for hanging and laying multifunctional accessories

Deep bowl
e.g. for filling tall vases or pots & pans



More accessories on p. 216

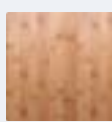
Fibre-Rock chopping board



N-175

(629184)

Chopping board



N-100XL, N-200

(629158)

Silicone drain mat



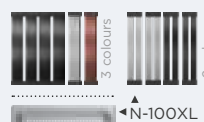
Functional bowl



N-100, N-100L

(629111)

Drain rack, Gastronorm



N-100XL, N-200

Comfopush Corner dish

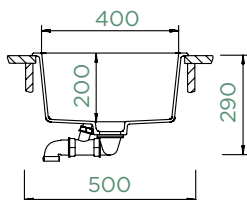
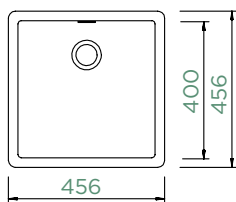




BROOKLYN N-100

TOPMOUNT/UNDERMOUNT

Cabinet size: **50 cm**
 Inner dimension of the bowl:
400 × 400 × 200 mm
 Installation: **fixed**
 Cut-out size topmount:
442 × 442 mm
 Cut-out size undermount:
400 × 400 mm



Accessories:

- Automatic drain kit (629392)
- Manual drain kit (629322)
- Strainer bowl (629111)
- Corner bowl (629733)
- Silicone Drain Mat (629188)
- Silicone Drain Mat Short (629189)
- Comfopush, CHR (629891CHR)
- Comfopush, EDM (629891EDM)

TOPMOUNT

UNDERMOUNT

CRISTALITE® BASIC LINE

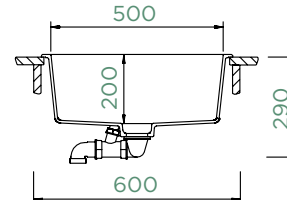
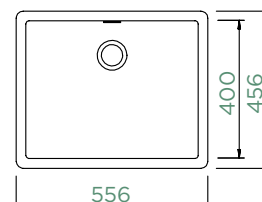
- | | |
|-----------------------|---------------------|
| ● BYKN100A GNE | BYKN100U GNE |
| ● BYKN100A GON | BYKN100U GON |
| ● BYKN100A GAS | BYKN100U GAS |
| ● BYKN100A GMC | BYKN100U GMC |
| ● BYKN100A GBT | BYKN100U GBT |
| ● BYKN100A GCR | BYKN100U GCR |
| ● BYKN100A GSA | BYKN100U GSA |
| ● BYKN100A GTE | BYKN100U GTE |
| ● BYKN100A GMS | BYKN100U GMS |
| ● BYKN100A GEV | BYKN100U GEV |
| ○ BYKN100A GDW | BYKN100U GDW |
| ○ BYKN100A GSW | BYKN100U GSW |



BROOKLYN N-100L

TOPMOUNT/UNDERMOUNT

Cabinet size: **60 cm**
 Inner dimension of the bowl:
500 × 400 × 200 mm
 Installation: **fixed**
 Cut-out size topmount:
542 × 442 mm
 Cut-out size undermount:
500 × 400 mm



Accessories:

- Automatic drain kit (629392)
- Manual drain kit (629322)
- Strainer bowl (629111)
- Corner bowl (629733)
- Silicone Drain Mat (629188)
- Silicone Drain Mat Short (629189)
- Comfopush, CHR (629891CHR)
- Comfopush, EDM (629891EDM)

TOPMOUNT

UNDERMOUNT

CRISTALITE® BASIC LINE

- | | |
|------------------------|----------------------|
| ● BYKN100LA GNE | BYKN100LU GNE |
| ● BYKN100LA GON | BYKN100LU GON |
| ● BYKN100LA GAS | BYKN100LU GAS |
| ● BYKN100LA GMC | BYKN100LU GMC |
| ● BYKN100LA GBT | BYKN100LU GBT |
| ● BYKN100LA GCR | BYKN100LU GCR |
| ● BYKN100LA GSA | BYKN100LU GSA |
| ● BYKN100LA GTE | BYKN100LU GTE |
| ● BYKN100LA GMS | BYKN100LU GMS |
| ● BYKN100LA GEV | BYKN100LU GEV |
| ○ BYKN100LA GDW | BYKN100LU GDW |
| ○ BYKN100LA GSW | BYKN100LU GSW |



BROOKLYN N-100XL

TOPMOUNT/UNDERMOUNT

Cabinet size: **80 cm**

Inner dimension of the bowl:

694 × 384 × 200 mm

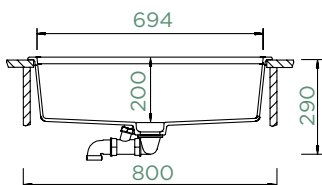
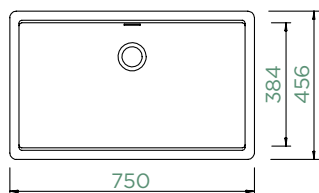
Installation: **fixed**

Cut-out size topmount:

736 × 442 mm

Cut-out size undermount:

694 × 400 mm



Accessories:

Automatic drain kit (629392)
 Manual drain kit (629322)
 Chopping board, wood (629158)
 Design Drip Rack (629726S)
 Design Drip Rack (629726COP)
 Design Drip Rack (629726EDM)
 2x2 Design Drip Rack (629738S)
 2x2 Design Drip Rack (629738EDM)
 Corner bowl (629733)
 Carrier (629146)
 Gastronorm Container GN 2/8 (629060)
 Gastronorm Container GN 2/8 (629061)
 Gastronorm Container GN 2/3 (629063)
 Silicone Drain Mat (629188)

Silicone Drain Mat Short (629189)
 Comfopush, CHR (629891CHR)
 Comfopush, EDM (629891EDM)

TOPMOUNT

UNDERMOUNT

CRISTALITE® BASIC LINE

● BYKN100XLA GNE	BYKN100XLU GNE
● BYKN100XLA GON	BYKN100XLU GON
● BYKN100XLA GAS	BYKN100XLU GAS
● BYKN100XLA GMC	BYKN100XLU GMC
● BYKN100XLA GBT	BYKN100XLU GBT
● BYKN100XLA GCR	BYKN100XLU GCR
● BYKN100XLA GSA	BYKN100XLU GSA
● BYKN100XLA GTE	BYKN100XLU GTE
● BYKN100XLA GMS	BYKN100XLU GMS
● BYKN100XLA GEV	BYKN100XLU GEV
○ BYKN100XLA GDW	BYKN100XLU GDW
○ BYKN100XLA GSW	BYKN100XLU GSW



BROOKLYN N-175

TOPMOUNT/UNDERMOUNT

Cabinet size: **90 cm**

Inner dimension of the bowl:

470 × 444 × 210 mm

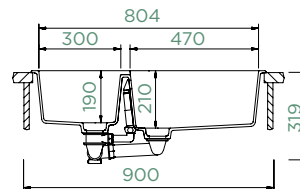
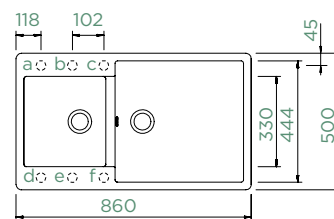
Installation: **reversible**

Cut-out size topmount:

846 × 486 mm

Cut-out size undermount:

844 × 484 mm



Accessories:

Automatic drain kit (629622)
 Manual drain kit (629621)
 Chopping board, bamboo (629044)
 Chopping board Fibre-Rock (629184)
 Silicone Drain Mat (629188)
 Silicone Drain Mat Short (629189)
 Corner bowl (629733)
 Comfopush, CHR (629891CHR)
 Comfopush, EDM (629891EDM)
 Wastecap (628152)

TOPMOUNT

UNDERMOUNT

CRISTALITE® BASIC LINE

● BYKN175A GNE	BYKN175U GNE
● BYKN175A GON	BYKN175U GON
● BYKN175A GAS	BYKN175U GAS
● BYKN175A GMC	BYKN175U GMC
● BYKN175A GBT	BYKN175U GBT
● BYKN175A GCR	BYKN175U GCR
● BYKN175A GSA	BYKN175U GSA
● BYKN175A GTE	BYKN175U GTE
● BYKN175A GMS	BYKN175U GMS
● BYKN175A GEV	BYKN175U GEV
○ BYKN175A GDW	BYKN175U GDW
○ BYKN175A GSW	BYKN175U GSW



BROOKLYN N-200

TOPMOUNT/UNDERMOUNT

Cabinet size: **80 cm**

Inner dimension of the bowl:

333 × 384 × 200 mm

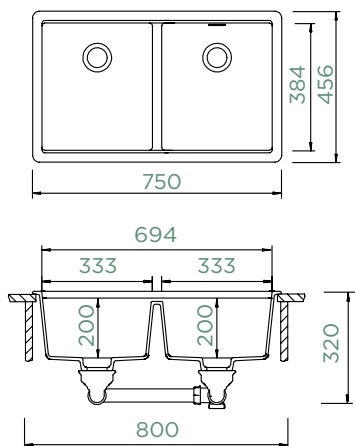
Installation: **fixed**

Cut-out size topmount:

736 × 442 mm

Cut-out size undermount:

694 × 400 mm



Accessories:

Automatic drain kit (629897PD)

Manual drain kit (629896)

Chopping board, wood (629158)

Design Drip Rack (629726S)

Design Drip Rack (629726EDM)

Design Drip Rack (629726COP)

2x2 Design Drip Rack (629738S)

2x2 Design Drip Rack (629738EDM)

Corner bowl (629733)

Carrier (629146)

Gastronorm Container GN 2/8 (629060)

Gastronorm Container GN 2/8 (629061)

Gastronorm Container GN 2/3 (629063)

Silicone Drain Mat (629188)

Silicone Drain Mat Short (629189)

Comfopush, CHR (629891CHR)

Comfopush, EDM (629891EDM)

TOPMOUNT

UNDERMOUNT

CRISTALITE® BASIC LINE

- BYKN200A **GNE**
- BYKN200A **GON**
- BYKN200A **GAS**
- BYKN200A **GMC**
- BYKN200A **GBT**
- BYKN200A **GCR**
- BYKN200A **GSA**
- BYKN200A **GTE**
- BYKN200A **GMS**
- BYKN200A **GEV**
- BYKN200A **GDW**
- BYKN200A **GSW**

- BYKN200U **GNE**
- BYKN200U **GON**
- BYKN200U **GAS**
- BYKN200U **GMC**
- BYKN200U **GBT**
- BYKN200U **GCR**
- BYKN200U **GSA**
- BYKN200U **GTE**
- BYKN200U **GMS**
- BYKN200U **GEV**
- BYKN200U **GDW**
- BYKN200U **GSW**

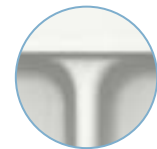
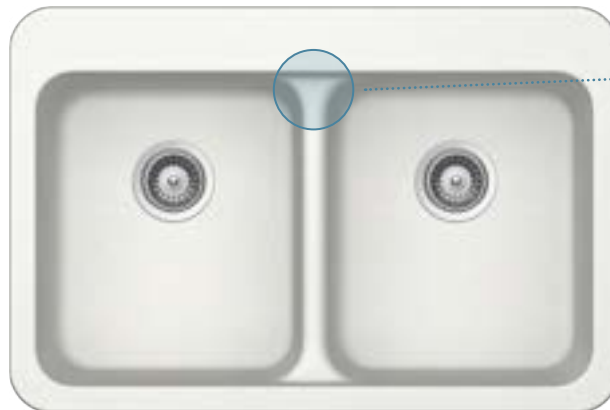


CHARLOTTE

Tap model **Sina** in Solid Stainless Steel on sink model **Charlotte N-200** in Nero



N-200



Smooth contours
and smooth corners
that are even easier to clean

Deep bowl
e.g. for filling tall vases or pots & pans



More accessories on p. 216

Silicone drain
mat



Wastecap





CHARLOTTE N-200

TOPMOUNT/UNDERMOUNT

Cabinet size: **90 cm**

Inner dimension of the bowl:

371 × 431 × 203 mm

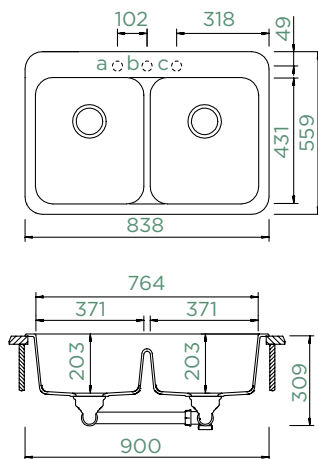
Installation: **fixed**

Cut-out size topmount:

818 × 539 mm

Cut-out size undermount:

773 × 441 mm



Accessories:

Silicone Drain Mat (629188)

Silicone Drain Mat Short (629189)

Wastecap (628152)

TOPMOUNT

UNDERMOUNT

CRISTALITE® BASIC LINE

● CLTN200A **GNE**

CLTN200U **GNE**

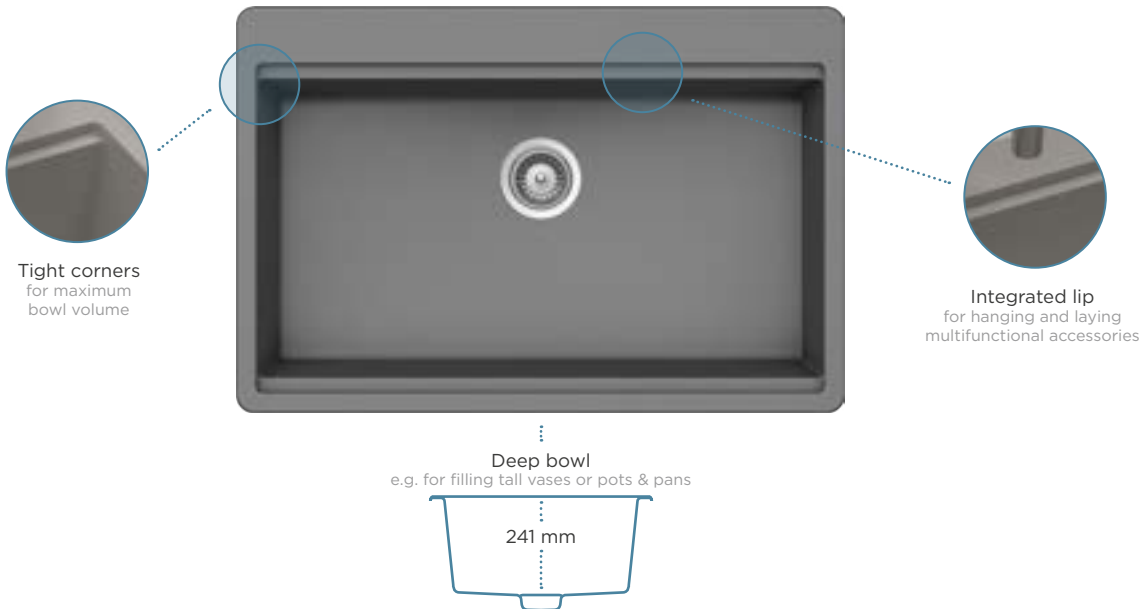
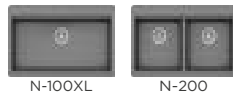
○ CLTN200A **GDW**

CLTN200U **GDW**



CHELSEA

Tap model **Sina** in Solid Stainless Steel on sink model **Chelsea N-100XL** in Concrete



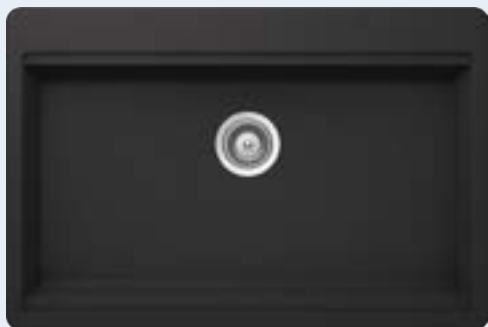
More accessories on p. 216

Silicone drain mat



Wastecap

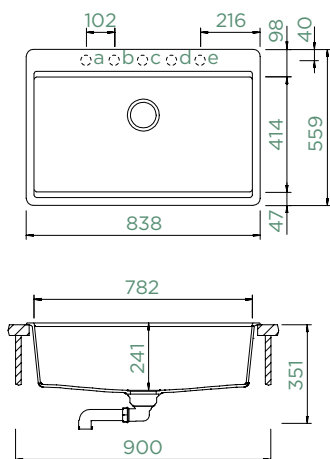




CHELSEA N-100XL

TOPMOUNT/UNDERMOUNT

Cabinet size: **90 cm**
 Inner dimension of the bowl:
782 × 414 × 241 mm
 Installation: **fixed**
 Cut-out size topmount:
824 × 545 mm
 Cut-out size undermount:
788 × 458 mm



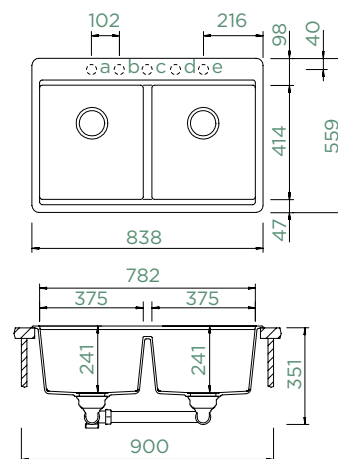
Accessories:
 Silicone Drain Mat (629188)
 Silicone Drain Mat Short (629189)
 Wastecap (628152)



CHELSEA N-200

TOPMOUNT/UNDERMOUNT

Cabinet size: **90 cm**
 Inner dimension of the bowl:
375 × 414 × 241 mm
 Installation: **fixed**
 Cut-out size topmount:
824 × 545 mm
 Cut-out size undermount:
788 × 458 mm



Accessories:
 Silicone Drain Mat (629188)
 Silicone Drain Mat Short (629189)
 Wastecap (628152)

TOPMOUNT

UNDERMOUNT

CRISTALITE® BASIC LINE

- CHEN100XLA GNE
- CHEN100XLA GON
- CHEN100XLA GIN
- CHEN100XLA GMC
- CHEN100XLA GBT
- CHEN100XLA GCR
- CHEN100XLA GDW

- CHEN100XLU GNE
- CHEN100XLU GON
- CHEN100XLU GIN
- CHEN100XLU GMC
- CHEN100XLU GBT
- CHEN100XLU GCR
- CHEN100XLU GDW

TOPMOUNT

UNDERMOUNT

CRISTALITE® BASIC LINE

- CHEN200A GNE
- CHEN200A GON
- CHEN200A GIN
- CHEN200A GMC
- CHEN200A GBT
- CHEN200A GCR
- CHEN200A GDW

- CHEN200U GNE
- CHEN200U GON
- CHEN200U GIN
- CHEN200U GMC
- CHEN200U GBT
- CHEN200U GCR
- CHEN200U GDW

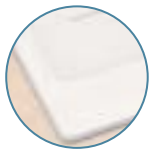


CITY

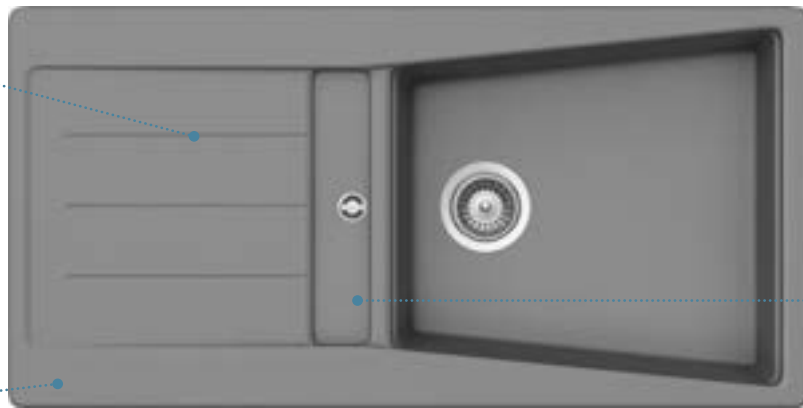
Tap model **SC-550** in Alpina on sink model **City D-100** in Alpina



Integrated
drainer
grooves



Elegant
all-round
bevel
keeps water and dirt
contained within the
sink area



Clean design
language



D-100L: Recessed
overflow
e.g. for pouring away
left-over liquids

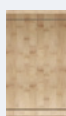
More accessories on p. 216

**Fibre-Rock
chopping board**



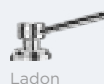
(629184)

**Wooden
chopping board**



(629044)

**Soap dis-
penser**



Ladon

Wastecap





CITY D-100

TOPMOUNT/UNDERMOUNT

Cabinet size: **50 cm**

Inner dimension of the bowl:

415 × 446 × 195 mm

Installation: **reversible**

Cut-out size topmount:

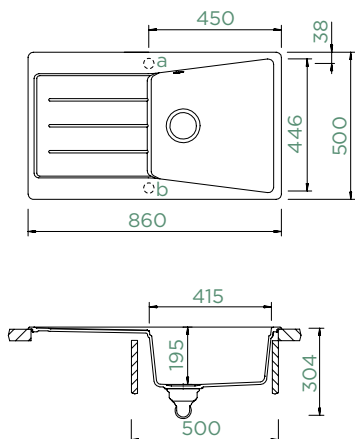
840 × 480 mm

Cut-out size undermount:

846 × 486 mm

Worktop for built-in

dishwasher: **16 mm**



Accessories:

Automatic drain kit (629352)

Manual drain kit (629353)

Chopping board, bamboo (629044)

Chopping board Fibre-Rock (629184)

Ladon (629016)

Wastecap (628152)

TOPMOUNT

UNDERMOUNT

CRISTALITE® BASIC LINE

- CITD100A GNE
- CITD100A GON
- CITD100A GBT
- CITD100A GCR
- CITD100A GMS
- CITD100A GDW

- CITD100U GNE
- CITD100U GON
- CITD100U GBT
- CITD100U GCR
- CITD100U GMS
- CITD100U GDW



CITY D-100L

TOPMOUNT/UNDERMOUNT

Cabinet size: **60 cm**

Inner dimension of the bowl:

484 × 443 × 195 mm

Installation: **reversible**

Cut-out size topmount:

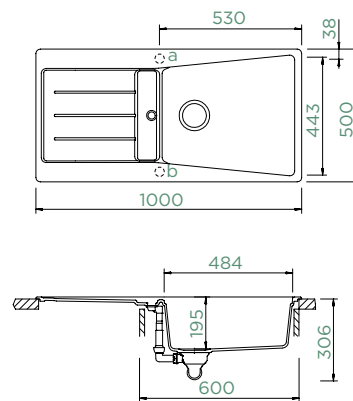
980 × 480 mm

Cut-out size undermount:

986 × 486 mm

Worktop for built-in

dishwasher: **26 mm**



Accessories:

Automatic drain kit (629383)

Manual drain kit (629382)

Chopping board, bamboo (629044)

Chopping board Fibre-Rock (629184)

Ladon (629016)

Wastecap (628152)

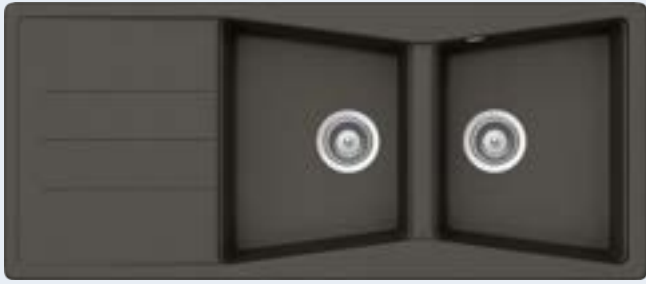
TOPMOUNT

UNDERMOUNT

CRISTALITE® BASIC LINE

- CITD100LA GNE
- CITD100LA GON
- CITD100LA GBT
- CITD100LA GCR
- CITD100LA GMS
- CITD100LA GDW

- CITD100LU GNE
- CITD100LU GON
- CITD100LU GBT
- CITD100LU GCR
- CITD100LU GMS
- CITD100LU GDW



CITY D-200

TOPMOUNT/UNDERMOUNT

Cabinet size: **80 cm**

Inner dimension of the bowl:

335 × 443 × 195 mm

Installation: **reversible**

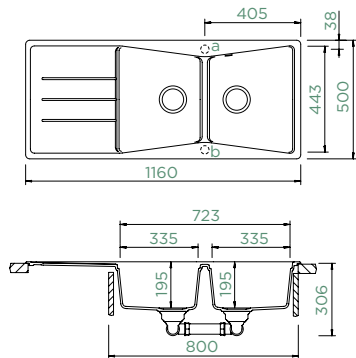
Cut-out size topmount:

1140 × 480 mm

Cut-out size undermount:

1146 × 486 mm

Worktop for built-in
dishwasher: **15 mm**



Accessories:

Automatic drain kit (629349)

Manual drain kit (629304)

Chopping board, bamboo (629044)

Chopping board Fibre-Rock (629184)

Ladon (629016)

Wastecap (628152)

TOPMOUNT

UNDERMOUNT

CRISTALITE® BASIC LINE

- CITD200A GNE
- CITD200A GON
- CITD200A GBT
- CITD200A GCR
- CITD200A GMS
- CITD200A GDW

- CITD200U GNE
- CITD200U GON
- CITD200U GBT
- CITD200U GCR
- CITD200U GMS
- CITD200U GDW



CREST

Tap model **Gota** in Chrome on sink model **Crest N-200** in Asphalt

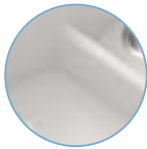


N-175

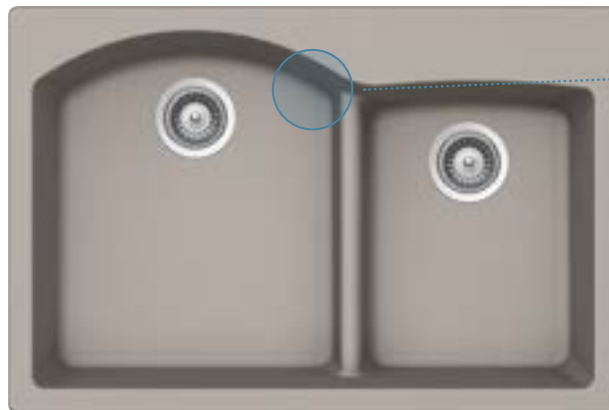
N-175Y

N-200

N-200Y



Recessed separator



Smooth contours and smooth corners that are even easier to clean

Deep bowl
e.g. for filling tall vases or pots & pans



More accessories on p. 216

Silicone drain mat



Wastecap





CREST N-175

TOPMOUNT/UNDERMOUNT

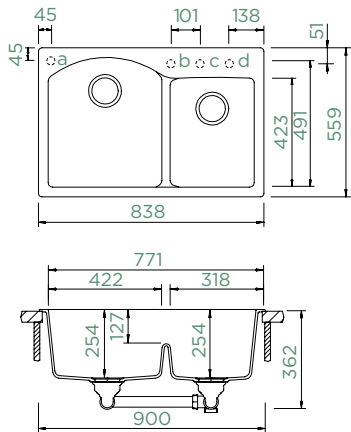
Cabinet size: **90 cm**

Inner dimension of the bowl: **422 × 491 × 254 mm**

Installation: **fixed**

Cut-out size topmount: **819 × 539 mm**

Cut-out size undermount: **according to template**



Accessories:

- Automatic drain kit (629326)
- Manual drain kit (629325)
- Silicone Drain Mat (629188)
- Silicone Drain Mat Short (629189)
- Wastecap (628152)



CREST N-175Y

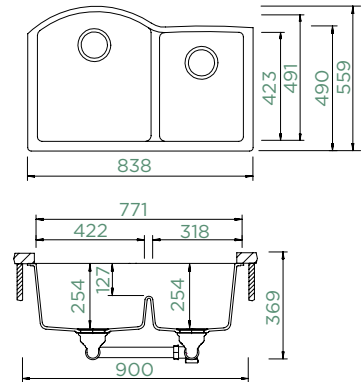
UNDERMOUNT

Cabinet size: **90 cm**

Inner dimension of the bowl: **422 × 491 × 254 mm**

Installation: **fixed**

Cut-out size undermount: **according to template**



Accessories:

- Automatic drain kit (629326)
- Manual drain kit (629325)
- Silicone Drain Mat (629188)
- Silicone Drain Mat Short (629189)
- Wastecap (628152)

TOPMOUNT

UNDERMOUNT

CRISTALITE® BASIC LINE

- EODN175A GNE
- EODN175A GON
- EODN175A GAS
- EODN175A GMC
- EODN175A GBT
- EODN175A GMS
- EODN175A GEV
- EODN175A GSW

- EODN175U GNE
- EODN175U GON
- EODN175U GAS
- EODN175U GMC
- EODN175U GBT
- EODN175U GMS
- EODN175U GEV
- EODN175U GSW

UNDERMOUNT

CRISTALITE® BASIC LINE

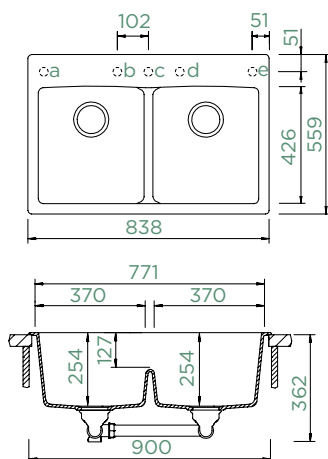
- EODN175YU GNE
- EODN175YU GON
- EODN175YU GAS
- EODN175YU GMC
- EODN175YU GBT
- EODN175YU GMS
- EODN175YU GEV
- EODN175YU GSW



CREST N-200

TOPMOUNT/UNDERMOUNT

Cabinet size: **90 cm**
 Inner dimension of the bowl:
370 × 426 × 254 mm
 Installation: **fixed**
 Cut-out size topmount:
819 × 539 mm
 Cut-out size undermount:
Please use dxf data



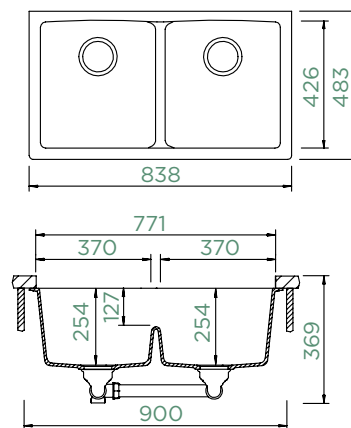
Accessories:
 Automatic drain kit (629326)
 Manual drain kit (629325)
 Silicone Drain Mat (629188)
 Silicone Drain Mat Short (629189)
 Wastecap (628152)



CREST N-200Y

UNDERMOUNT

Cabinet size: **90 cm**
 Inner dimension of the bowl:
370 × 426 × 254 mm
 Installation: **fixed**
 Cut-out size undermount:
Please use dxf data



Accessories:
 Automatic drain kit (629326)
 Manual drain kit (629325)
 Silicone Drain Mat (629188)
 Silicone Drain Mat Short (629189)
 Wastecap (628152)

TOPMOUNT

UNDERMOUNT

CRISTALITE® BASIC LINE

- EODN200A GNE
- EODN200A GON
- EODN200A GAS
- EODN200A GMC
- EODN200A GBT
- EODN200A GMS
- EODN200A GEV
- EODN200A GSW

- EODN200U GNE
- EODN200U GON
- EODN200U GAS
- EODN200U GMC
- EODN200U GBT
- EODN200U GMS
- EODN200U GEV
- EODN200U GSW

UNDERMOUNT

CRISTALITE® BASIC LINE

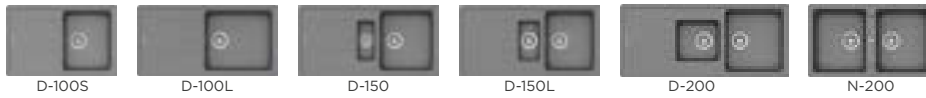
- EODN200YU GNE
- EODN200YU GON
- EODN200YU GAS
- EODN200YU GMC
- EODN200YU GBT
- EODN200YU GMS
- EODN200YU GEV
- EODN200YU GSW



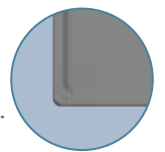
ELEMENT

Tap model **Laio**s in Solid Stainless Steel on sink model **Element D-150** in Nero

Wide choice of designs



Integrated drainer grooves



All-round rim keeps water and dirt contained within the sink area

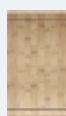
More accessories on p. 216

Fibre-Rock chopping board



(629184)

Wooden chopping board



(629044)

Wastecap



Corner dish



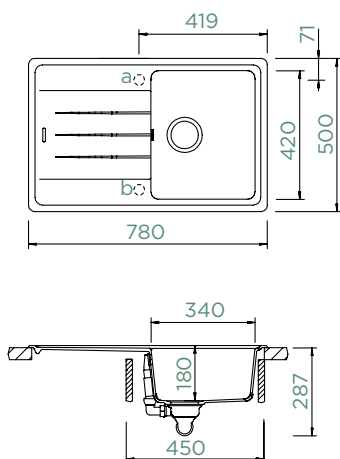
(629733)



ELEMENT D-100S

TOPMOUNT/UNDERMOUNT

Cabinet size: **45 cm**
 Inner dimension of the bowl:
340 × 420 × 180 mm
 Installation: **reversible**
 Cut-out size topmount:
760 × 480 mm
 Cut-out size undermount:
764 × 484 mm
 Worktop for built-in
 dishwasher: **22 mm**



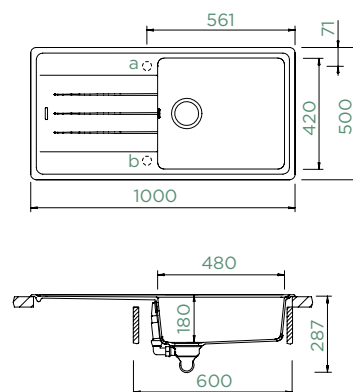
Accessories:
 Automatic drain kit (629871)
 Manual drain kit (629870)
 Chopping board, bamboo (629044)
 Chopping board Fibre-Rock (629184)
 Corner bowl (629733)
 Wastecap (628152)



ELEMENT D-100L

TOPMOUNT/UNDERMOUNT

Cabinet size: **60 cm**
 Inner dimension of the bowl:
480 × 420 × 180 mm
 Installation: **reversible**
 Cut-out size topmount:
980 × 480 mm
 Cut-out size undermount:
984 × 484 mm
 Worktop for built-in
 dishwasher: **22 mm**



Accessories:
 Automatic drain kit (629871)
 Manual drain kit (629870)
 Chopping board, bamboo (629044)
 Chopping board Fibre-Rock (629184)
 Corner bowl (629733)
 Wastecap (628152)

TOPMOUNT

UNDERMOUNT

CRISTALITE® BASIC LINE

- | | |
|-----------------|---------------|
| ● ELED100SA GNE | ELED100SU GNE |
| ● ELED100SA GON | ELED100SU GON |
| ● ELED100SA GCR | ELED100SU GCR |
| ● ELED100SA GSA | ELED100SU GSA |
| ● ELED100SA GMS | ELED100SU GMS |
| ○ ELED100SA GDW | ELED100SU GDW |

TOPMOUNT

UNDERMOUNT

CRISTALITE® BASIC LINE

- | | |
|-----------------|---------------|
| ● ELED100LA GNE | ELED100LU GNE |
| ● ELED100LA GON | ELED100LU GON |
| ● ELED100LA GCR | ELED100LU GCR |
| ● ELED100LA GSA | ELED100LU GSA |
| ● ELED100LA GMS | ELED100LU GMS |
| ○ ELED100LA GDW | ELED100LU GDW |



ELEMENT D-150

TOPMOUNT/UNDERMOUNT

Cabinet size: **60 cm**

Inner dimension of the bowl:

380 × 420 × 180 mm

Installation: **reversible**

Cut-out size topmount:

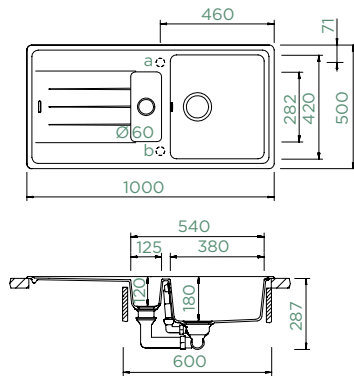
980 × 480 mm

Cut-out size undermount:

984 × 484 mm

Worktop for built-in

dishwasher: **22 mm**



Accessories:

Automatic drain kit (629881)

Manual drain kit (629880)

Chopping board, bamboo (629044)

Chopping board Fibre-Rock (629184)

Corner bowl (629733)

Wastecap (628152)

TOPMOUNT

UNDERMOUNT

CRISTALITE® BASIC LINE

- ELED150A GNE
- ELED150A GON
- ELED150A GCR
- ELED150A GSA
- ELED150A GMS
- ELED150A GDW

- ELED150U GNE
- ELED150U GON
- ELED150U GCR
- ELED150U GSA
- ELED150U GMS
- ELED150U GDW



ELEMENT D-150L

TOPMOUNT/UNDERMOUNT

Cabinet size: **60 cm**

Inner dimension of the bowl:

350 × 420 × 180 mm

Installation: **reversible**

Cut-out size topmount:

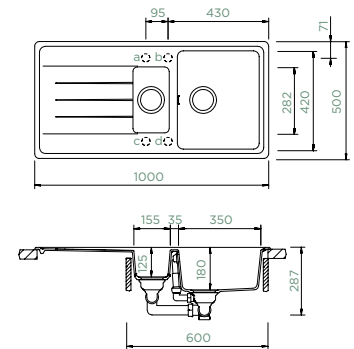
980 × 480 mm

Cut-out size undermount:

984 × 484 mm

Worktop for built-in

dishwasher: **22 mm**



Accessories:

Automatic drain kit (629875)

Manual drain kit (629874)

Chopping board, bamboo (629044)

Chopping board Fibre-Rock (629184)

Corner bowl (629733)

Wastecap (628152)

TOPMOUNT

UNDERMOUNT

CRISTALITE® BASIC LINE

- ELED150A GNE
- ELED150A GON
- ELED150A GCR
- ELED150A GSA
- ELED150A GMS
- ELED150A GDW

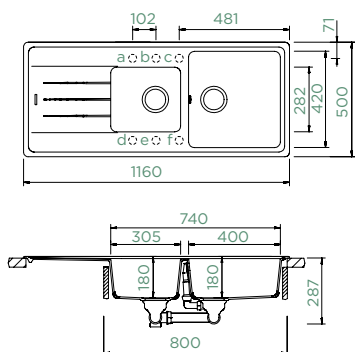
- ELED150U GNE
- ELED150U GON
- ELED150U GCR
- ELED150U GSA
- ELED150U GMS
- ELED150U GDW



ELEMENT D-200

TOPMOUNT/UNDERMOUNT

Cabinet size: **80 cm**
 Inner dimension of the bowl:
400 × 420 × 180 mm
 Installation: **reversible**
 Cut-out size topmount:
1140 × 480 mm
 Cut-out size undermount:
1144 × 484 mm
 Worktop for built-in
 dishwasher: **22 mm**



Accessories:

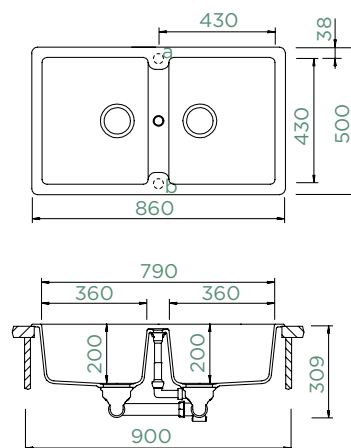
- Automatic drain kit (629875)
- Manual drain kit (629874)
- Chopping board, bamboo (629044)
- Chopping board Fibre-Rock (629184)
- Corner bowl (629733)
- Wastecap (628152)



ELEMENT N-200

TOPMOUNT/UNDERMOUNT

Cabinet size: **90 cm**
 Inner dimension of the bowl:
360 × 430 × 200 mm
 Installation: **reversible**
 Cut-out size topmount:
840 × 480 mm
 Cut-out size undermount:
846 × 486 mm



Accessories:

- Automatic drain kit (629879)
- Manual drain kit (629878)
- Chopping board, bamboo (629044)
- Chopping board Fibre-Rock (629184)
- Silicone Drain Mat (629188)
- Silicone Drain Mat Short (629189)
- Corner bowl (629733)
- Wire basket (629171)
- Wastecap (628152)

TOPMOUNT

UNDERMOUNT

CRISTALITE® BASIC LINE

- | | |
|----------------|--------------|
| ● ELED200A GNE | ELED200U GNE |
| ● ELED200A GON | ELED200U GON |
| ● ELED200A GCR | ELED200U GCR |
| ● ELED200A GSA | ELED200U GSA |
| ● ELED200A GMS | ELED200U GMS |
| ○ ELED200A GDW | ELED200U GDW |

TOPMOUNT

UNDERMOUNT

CRISTALITE® BASIC LINE

- | | |
|----------------|--------------|
| ● ELEN200A GNE | ELEN200U GNE |
| ● ELEN200A GON | ELEN200U GON |
| ● ELEN200A GCR | ELEN200U GCR |
| ● ELEN200A GSA | ELEN200U GSA |
| ● ELEN200A GMS | ELEN200U GMS |
| ○ ELEN200A GDW | ELEN200U GDW |



EURO

Tap model **Simi** in Alpina on sink model **Euro N-100** in Alpina



N-100



Smooth contours
and smooth corners
that are even easier to clean

Deep bowl
e.g. for filling tall vases or pots & pans



More accessories on p. 216

Silicone drain
mat



Wastecap





EURO N-100

TOPMOUNT/UNDERMOUNT

Cabinet size: **40 cm**

Inner dimension of the bowl:

331 × 331 × 205 mm

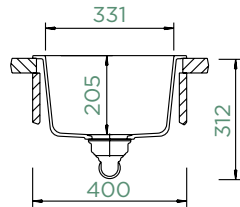
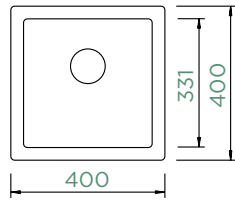
Installation: **fixed**

Cut-out size topmount:

380 × 380 mm

Cut-out size undermount:

376 × 376 mm



Accessories:

Automatic drain kit (629313)

Manual drain kit (629314)

Silicone Drain Mat (629188)

Silicone Drain Mat Short (629189)

Wastecap (628152)

TOPMOUNT

UNDERMOUNT

CRISTALITE® BASIC LINE

- EURN100A GNE
- EURN100A GON
- EURN100A GAS
- EURN100A GMC
- EURN100A GBT
- EURN100A GCR
- EURN100A GSA
- EURN100A GTE
- EURN100A GMS
- EURN100A GEV
- EURN100A GDW
- EURN100A GSW

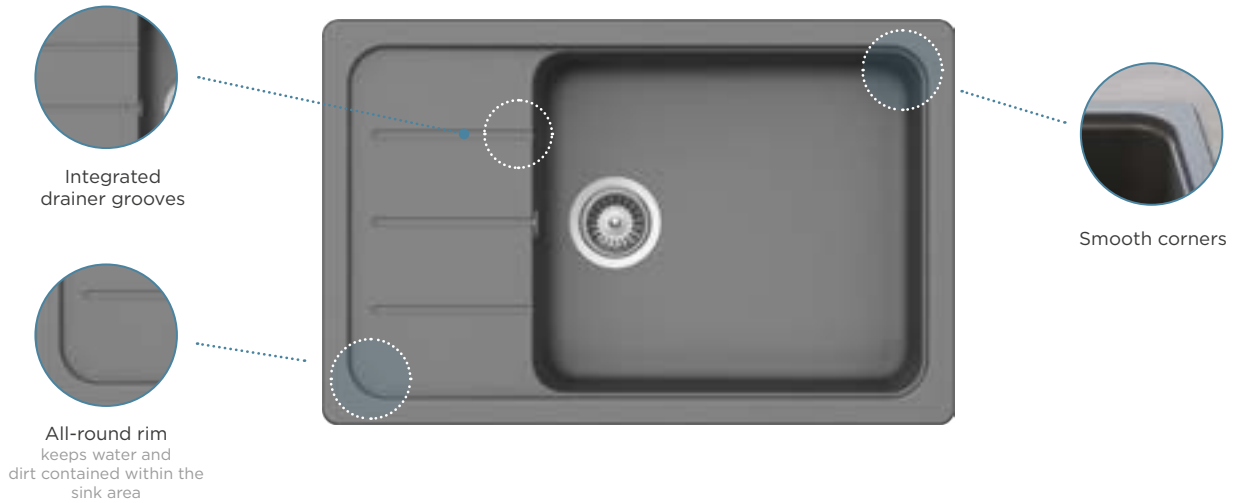
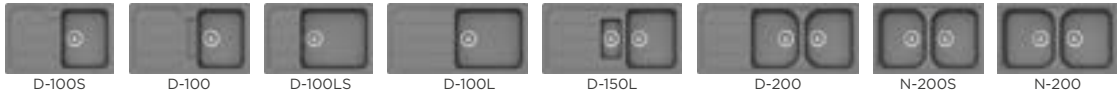
- EURN100U GNE
- EURN100U GON
- EURN100U GAS
- EURN100U GMC
- EURN100U GBT
- EURN100U GCR
- EURN100U GSA
- EURN100U GTE
- EURN100U GMS
- EURN100U GEV
- EURN100U GDW
- EURN100U GSW



FORMHAUS

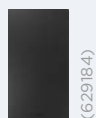
Tap model **Cosmo** in Chrome on sink model **Formhaus D-100** in Asphalt

Wide choice of designs



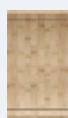
More accessories on p. 216

Fibre-Rock chopping board



(629184)

Wooden chopping board



(629044)

Wastecap

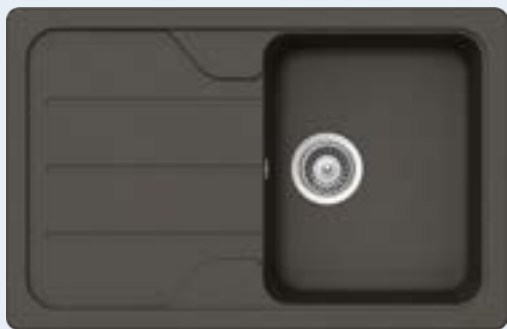


Corner dish



(629733)

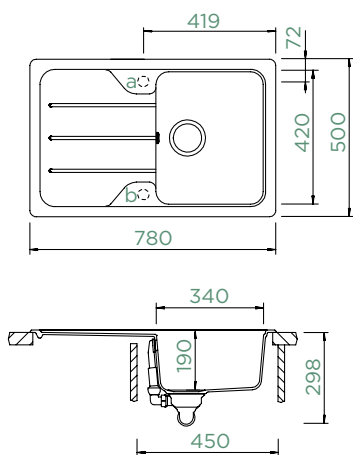
Not for D-200, N-200S, N-200



FORMHAUS D-100S

TOPMOUNT/UNDERMOUNT

Cabinet size: **45 cm**
 Inner dimension of the bowl:
340 × 420 × 190 mm
 Installation: **reversible**
 Cut-out size topmount:
760 × 480 mm
 Cut-out size undermount:
766 × 486 mm
 Worktop for built-in
 dishwasher: **21 mm**



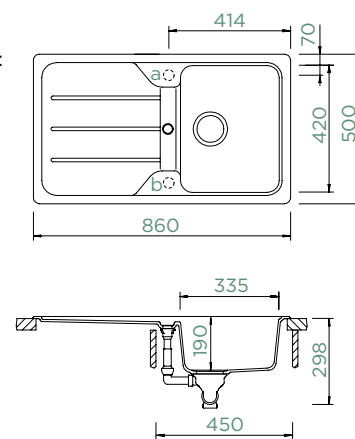
Accessories:
 Automatic drain kit (629871)
 Manual drain kit (629870)
 Chopping board, bamboo (629044)
 Chopping board Fibre-Rock (629184)
 Corner bowl (629733)
 Wastecap (628152)



FORMHAUS D-100

TOPMOUNT/UNDERMOUNT

Cabinet size: **45 cm**
 Inner dimension of the bowl:
335 × 420 × 190 mm
 Installation: **reversible**
 Cut-out size topmount:
840 × 480 mm
 Cut-out size undermount:
846 × 486 mm
 Worktop for built-in
 dishwasher: **28 mm**



Accessories:
 Automatic drain kit (629873)
 Manual drain kit (629872)
 Chopping board, bamboo (629044)
 Chopping board Fibre-Rock (629184)
 Corner bowl (629733)
 Wastecap (628152)

TOPMOUNT

UNDERMOUNT

CRISTALITE® BASIC LINE

- | | |
|-----------------|---------------|
| ● FOMD100SA GNE | FOMD100SU GNE |
| ● FOMD100SA GON | FOMD100SU GON |
| ● FOMD100SA GAS | FOMD100SU GAS |
| ● FOMD100SA GCR | FOMD100SU GCR |
| ● FOMD100SA GSA | FOMD100SU GSA |
| ● FOMD100SA GMS | FOMD100SU GMS |
| ○ FOMD100SA GDW | FOMD100SU GDW |

TOPMOUNT

UNDERMOUNT

CRISTALITE® BASIC LINE

- | | |
|----------------|--------------|
| ● FOMD100A GNE | FOMD100U GNE |
| ● FOMD100A GON | FOMD100U GON |
| ● FOMD100A GAS | FOMD100U GAS |
| ● FOMD100A GCR | FOMD100U GCR |
| ● FOMD100A GSA | FOMD100U GSA |
| ● FOMD100A GMS | FOMD100U GMS |
| ○ FOMD100A GDW | FOMD100U GDW |



FORMHAUS D-100LS

TOPMOUNT/UNDERMOUNT



Cabinet size: **60 cm**

Inner dimension of the bowl:

480 × 420 × 190 mm

Installation: **reversible**

Cut-out size topmount:

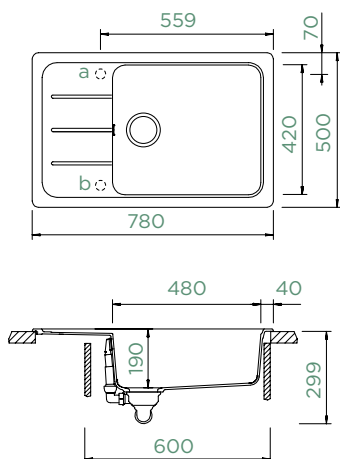
760 × 480 mm

Cut-out size undermount:

766 × 486 mm

Worktop for built-in

dishwasher: **21 mm**



Accessories:

Automatic drain kit (629871)

Manual drain kit (629870)

Chopping board, bamboo (629044)

Chopping board Fibre-Rock (629184)

Corner bowl (629733)

Wastecap (628152)

TOPMOUNT

UNDERMOUNT

CRISTALITE® BASIC LINE

- FOMD100LSA **GNE**
- FOMD100LSA **GON**
- FOMD100LSA **GAS**
- FOMD100LSA **GCR**
- FOMD100LSA **GSA**
- FOMD100LSA **GMS**
- FOMD100LSA **GDW**

- FOMD100LSU **GNE**
- FOMD100LSU **GON**
- FOMD100LSU **GAS**
- FOMD100LSU **GCR**
- FOMD100LSU **GSA**
- FOMD100LSU **GMS**
- FOMD100LSU **GDW**



FORMHAUS D-100L

TOPMOUNT/UNDERMOUNT

Cabinet size: **60 cm**

Inner dimension of the bowl:

480 × 420 × 190 mm

Installation: **reversible**

Cut-out size topmount:

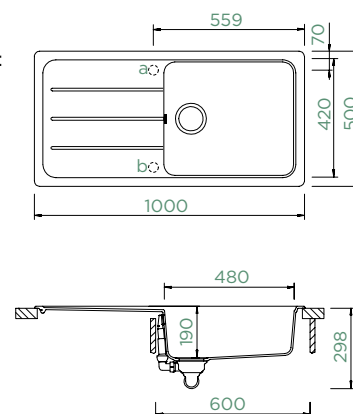
980 × 480 mm

Cut-out size undermount:

986 × 486 mm

Worktop for built-in

dishwasher: **21 mm**



Accessories:

Automatic drain kit (629871)

Manual drain kit (629870)

Chopping board, bamboo (629044)

Chopping board Fibre-Rock (629184)

Corner bowl (629733)

Wastecap (628152)

TOPMOUNT

UNDERMOUNT

CRISTALITE® BASIC LINE

- FOMD100LA **GNE**
- FOMD100LA **GON**
- FOMD100LA **GAS**
- FOMD100LA **GCR**
- FOMD100LA **GSA**
- FOMD100LA **GMS**
- FOMD100LA **GDW**

- FOMD100LU **GNE**
- FOMD100LU **GON**
- FOMD100LU **GAS**
- FOMD100LU **GCR**
- FOMD100LU **GSA**
- FOMD100LU **GMS**
- FOMD100LU **GDW**



FORMHAUS D-150L

TOPMOUNT/UNDERMOUNT

Cabinet size: **60 cm**

Inner dimension of the bowl:

360 × 420 × 190 mm

Installation: **reversible**

Cut-out size topmount:

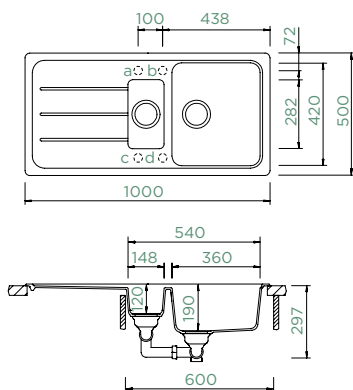
980 × 480 mm

Cut-out size undermount:

986 × 486 mm

Worktop for built-in

dishwasher: **22 mm**



Accessories:

Automatic drain kit (629877)

Manual drain kit (629876)

Chopping board, bamboo (629044)

Chopping board Fibre-Rock (629184)

Corner bowl (629733)

Wastecap (628152)



FORMHAUS D-200

TOPMOUNT/UNDERMOUNT

Cabinet size: **80 cm**

Inner dimension of the bowl:

350 × 420 × 190 mm

Installation: **reversible**

Cut-out size topmount:

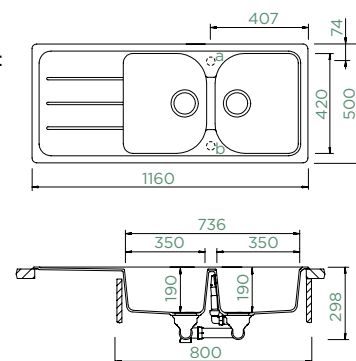
1140 × 480 mm

Cut-out size undermount:

1146 × 486 mm

Worktop for built-in

dishwasher: **21 mm**



Accessories:

Automatic drain kit (629875)

Manual drain kit (629874)

Chopping board, bamboo (629044)

Chopping board Fibre-Rock (629184)

Wastecap (628152)

TOPMOUNT

UNDERMOUNT

CRISTALITE® BASIC LINE

- FOMD150LA **GNE**
- FOMD150LA **GON**
- FOMD150LA **GAS**
- FOMD150LA **GCR**
- FOMD150LA **GSA**
- FOMD150LA **GMS**
- FOMD150LA **GDW**

- FOMD150LU **GNE**
- FOMD150LU **GON**
- FOMD150LU **GAS**
- FOMD150LU **GCR**
- FOMD150LU **GSA**
- FOMD150LU **GMS**
- FOMD150LU **GDW**

TOPMOUNT

UNDERMOUNT

CRISTALITE® BASIC LINE

- FOMD200A **GNE**
- FOMD200A **GON**
- FOMD200A **GCR**
- FOMD200A **GSA**
- FOMD200A **GMS**
- FOMD200A **GDW**

- FOMD200U **GNE**
- FOMD200U **GON**
- FOMD200U **GCR**
- FOMD200U **GSA**
- FOMD200U **GMS**
- FOMD200U **GDW**

Note: This sink has no overflow, as the small half-bowl serves as an overflow. The drain hole in the half-bowl cannot be closed.



FORMHAUS N-200S

TOPMOUNT/UNDERMOUNT

Cabinet size: **80 cm**

Inner dimension of the bowl:

338 × 421 × 205 mm

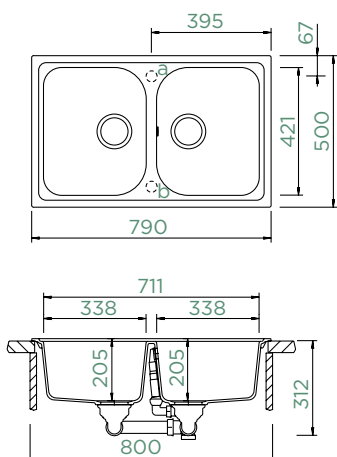
Installation: **reversible**

Cut-out size topmount:

770 × 480 mm

Cut-out size undermount:

775 × 485 mm



Accessories:

Automatic drain kit (629875)

Manual drain kit (629874)

Chopping board, bamboo (629044)

Chopping board Fibre-Rock (629184)

Wastecap (628152)

TOPMOUNT

UNDERMOUNT

CRISTALITE® BASIC LINE

● FOMN200SA GNE	FOMN200SU GNE
● FOMN200SA GON	FOMN200SU GON
● FOMN200SA GCR	FOMN200SU GCR
● FOMN200SA GSA	FOMN200SU GSA
● FOMN200SA GMS	FOMN200SU GMS
○ FOMN200SA GDW	FOMN200SU GDW



FORMHAUS N-200

TOPMOUNT/UNDERMOUNT

Cabinet size: **90 cm**

Inner dimension of the bowl:

373 × 421 × 205 mm

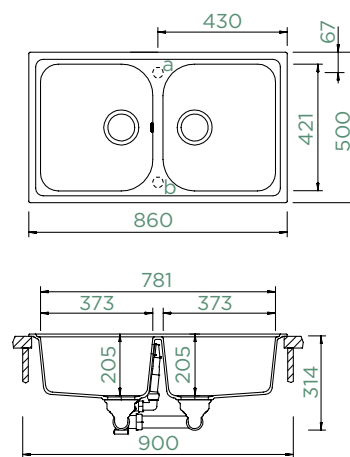
Installation: **reversible**

Cut-out size topmount:

840 × 480 mm

Cut-out size undermount:

845 × 485 mm



Accessories:

Automatic drain kit (629875)

Manual drain kit (629874)

Chopping board, bamboo (629044)

Chopping board Fibre-Rock (629184)

Wastecap (628152)

TOPMOUNT

UNDERMOUNT

CRISTALITE® BASIC LINE

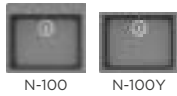
● FOMN200A GNE	FOMN200U GNE
● FOMN200A GON	FOMN200U GON
● FOMN200A GCR	FOMN200U GCR
● FOMN200A GSA	FOMN200U GSA
● FOMN200A GMS	FOMN200U GMS
○ FOMN200A GDW	FOMN200U GDW





GEMO

Tap model **Metis** in Chrome on sink model **Gemo N-100** in Nero

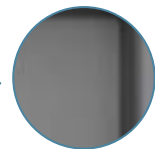


N-100

N-100Y



N-100
Integrated tap ledge
with additional holes for
ergonomic positioning of tap,
soap dispenser and
pop-up control



Soft transition
into the bowl
for easy cleaning

More accessories on p. 216

Silicone drain mat



Soap dispenser



N-100

Wastecap



Corner dish



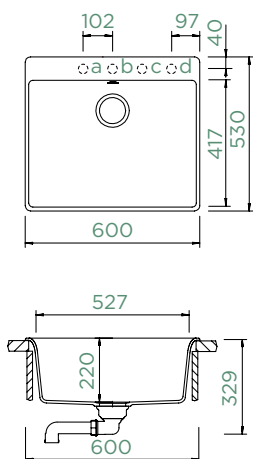
(629733)



GEMO N-100

TOPMOUNT/UNDERMOUNT

Cabinet size: **60 cm**
 Inner dimension of the bowl:
527 × 417 × 220 mm
 Installation: **fixed**
 Cut-out size topmount:
580 × 510 mm
 Cut-out size undermount:
584 × 514 mm



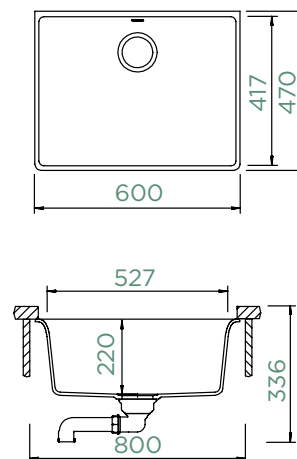
- Accessories:**
 Automatic drain kit (629324)
 Manual drain kit (629323)
 Silicone Drain Mat (629188)
 Silicone Drain Mat Short (629189)
 Corner bowl (629733)
 Amur (629014)
 Samo CHR (629169CHR)
 Wastecap (628152)



GEMO N-100Y

UNDERMOUNT

Cabinet size: **80 cm**
 Inner dimension of the bowl:
527 × 417 × 220 mm
 Installation: **fixed**
 Cut-out size undermount:
584 × 446 mm



- Accessories:**
 Manual drain kit (629323)
 Automatic drain kit (629324)
 Silicone Drain Mat (629188)
 Silicone Drain Mat Short (629189)
 Corner bowl (629733)
 Wastecap (628152)

TOPMOUNT

UNDERMOUNT

CRISTALITE® BASIC LINE

- GEMN100A GNE
- GEMN100A GON
- GEMN100A GAS
- GEMN100A GMC
- GEMN100A GBT
- GEMN100A GCR
- GEMN100A GSA
- GEMN100A GTE
- GEMN100A GMS
- GEMN100A GEV
- GEMN100A GDW
- GEMN100A GSW

- GEMN100U GNE
- GEMN100U GON
- GEMN100U GAS
- GEMN100U GMC
- GEMN100U GBT
- GEMN100U GCR
- GEMN100U GSA
- GEMN100U GTE
- GEMN100U GMS
- GEMN100U GEV
- GEMN100U GDW
- GEMN100U GSW

UNDERMOUNT

CRISTALITE® BASIC LINE

- GEMN100YU GNE
- GEMN100YU GON
- GEMN100YU GAS
- GEMN100YU GMC
- GEMN100YU GBT
- GEMN100YU GCR
- GEMN100YU GSA
- GEMN100YU GTE
- GEMN100YU GMS
- GEMN100YU GEV
- GEMN100YU GDW
- GEMN100YU GSW

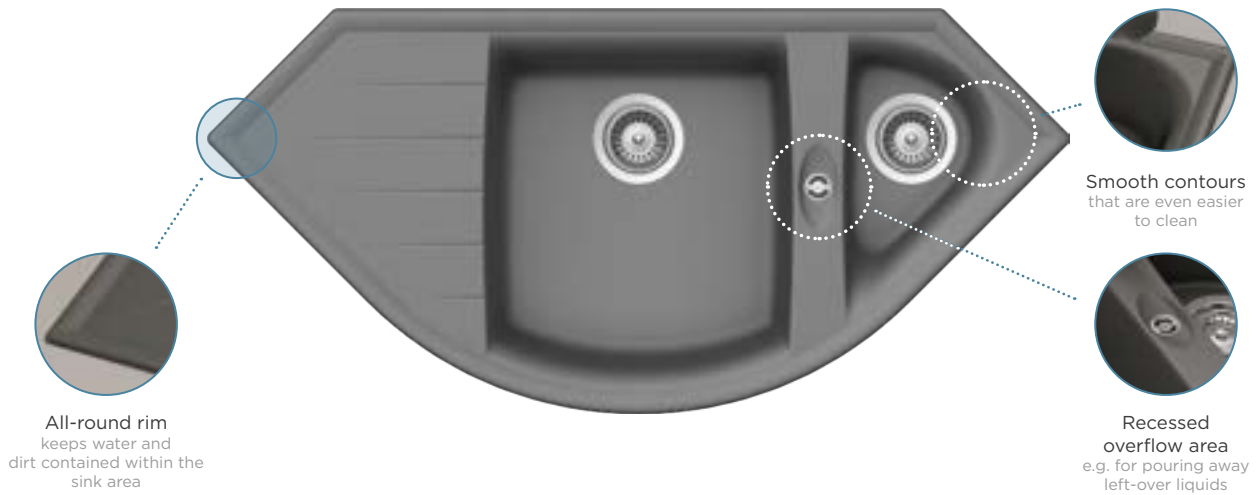


GENIUS

Tap model **Fonos** in Chrome on sink model **Genius C-150** in Cromia



C-150



More accessories on p. 216

Wastecap



Comfopush





GENIUS C-150

TOPMOUNT/UNDERMOUNT

Cabinet size: **90 x 90 cm**

Inner dimension of the bowl:

388 x 406 x 195 mm

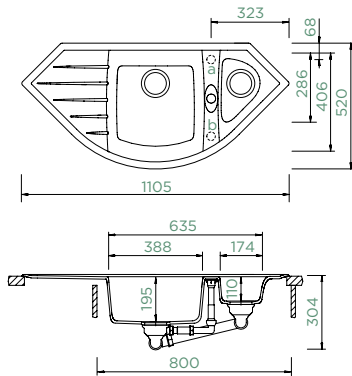
Installation: **bowl right**

Cut-out size topmount:

according to template

Cut-out size undermount:

according to template



Accessories:

Automatic drain kit (629351)

Manual drain kit (629350)

Comfopush, CHR (629891CHR)

Comfopush, EDM (629891EDM)

Wastecap (628152)

TOPMOUNT

UNDERMOUNT

CRISTALITE® BASIC LINE

- GENC150A GNE
- GENC150A GON
- GENC150A GAS
- GENC150A GCR

- GENC150U GNE
- GENC150U GON
- GENC150U GAS
- GENC150U GCR



Note: The indicated cabinet width is for installation in a corner cupboard. If the sink is not being installed in a corner cupboard, an 80 cm base cabinet is required.



IMPULSE

Tap model **Conos** in Solid Stainless Steel on sink model **Impulse N-200** in Alpina

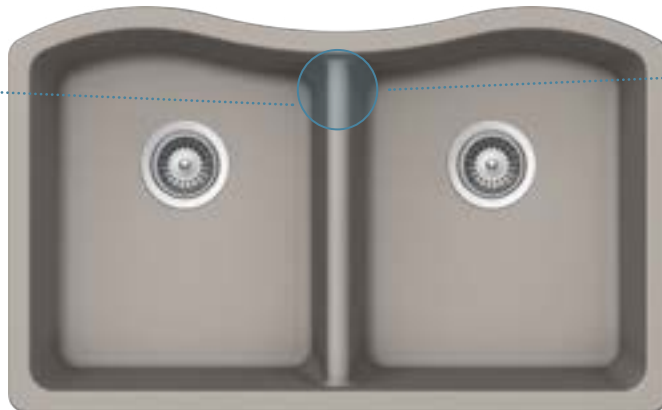


N-175

N-200



Recessed
separator



Smooth contours
and smooth corners
that are even easier to clean

Deep bowl
e.g. for filling tall vases or pots & pans



254 mm

More accessories on p. 216

Silicone drain
mat



Wastecap





IMPULSE N-175

UNDERMOUNT

Cabinet size: **90 cm**

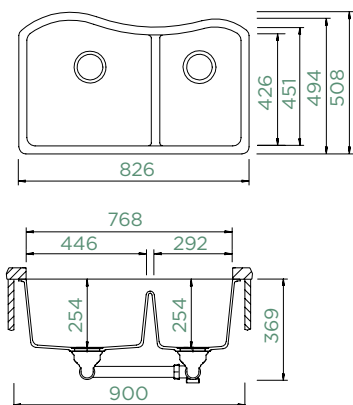
Inner dimension of the bowl:

446 × 451 × 254 mm

Installation: **fixed**

Cut-out size undermount:

768 × 451 mm



Accessories:

Automatic drain kit (629326)

Manual drain kit (629325)

Silicone Drain Mat (629188)

Silicone Drain Mat Short (629189)

Wastecap (628152)

UNDERMOUNT

CRISTALITE® BASIC LINE

- AHSN175U GNE
- AHSN175U GON
- AHSN175U GAS
- AHSN175U GMC
- AHSN175U GBT
- IMPN175U GMS
- AHSN175U GEV
- IMPN175U GDW
- IMPN175U GSW



IMPULSE N-200

UNDERMOUNT

Cabinet size: **90 cm**

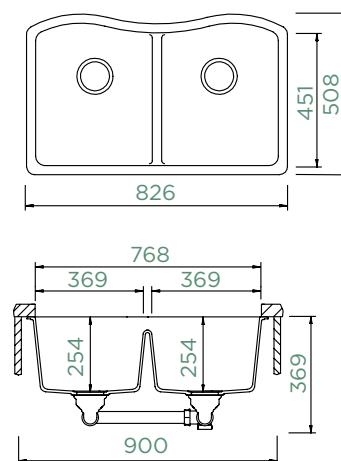
Inner dimension of the bowl:

369 × 451 × 254 mm

Installation: **fixed**

Cut-out size undermount:

768 × 451 mm



Accessories:

Automatic drain kit (629326)

Manual drain kit (629325)

Silicone Drain Mat (629188)

Silicone Drain Mat Short (629189)

Wastecap (628152)

UNDERMOUNT

CRISTALITE® BASIC LINE

- AHSN200U GNE
- AHSN200U GON
- AHSN200U GAS
- AHSN200U GMC
- AHSN200U GBT
- IMPN200U GMS
- AHSN200U GEV
- IMPN200U GDW
- IMPN200U GSW



LIMA

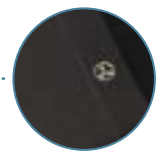
Tap model **Metis** in Chrome on sink model **Lima D-100S** in Onyx



D-100S



Very narrow
drainer grooves
for easy cleaning



Purist design
smooth finish meets
textured draining board

Two installation options
Same base cabinet for inset and
undermount installation

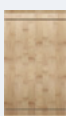
More accessories on p. 216

**Fibre-Rock
chopping board**



(629184)

**Wooden
chopping board**



(629044)

Wastecap



**Corner
dish**



(629733)



LIMA D-100S

TOPMOUNT/UNDERMOUNT



Cabinet size: **50 cm**

Inner dimension of the bowl:

380 × 428 × 165 mm

Installation: **reversible**

Cut-out size topmount:

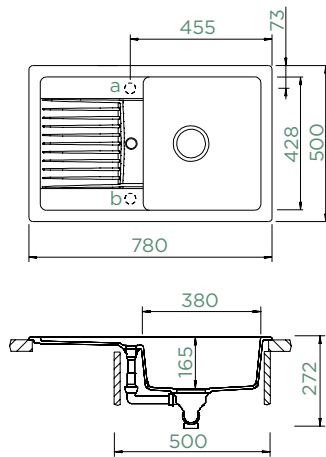
760 × 480 mm

Cut-out size undermount:

715 × 436 mm

Worktop for built-in

dishwasher: **27 mm**



Accessories:

Automatic drain kit (629873)

Manual drain kit (629872)

Chopping board, bamboo (629044)

Chopping board Fibre-Rock (629184)

Corner bowl (629733)

Wastecap (628152)

TOPMOUNT

UNDERMOUNT

CRISTALITE® BASIC LINE

- LIMD100SA **GNE**
- LIMD100SA **GON**
- LIMD100SA **GAS**
- LIMD100SA **GCR**
- LIMD100SA **GSA**
- LIMD100SA **GMS**
- LIMD100SA **GDW**

- LIMD100SU **GNE**
- LIMD100SU **GON**
- LIMD100SU **GAS**
- LIMD100SU **GCR**
- LIMD100SU **GSA**
- LIMD100SU **GMS**
- LIMD100SU **GDW**



LAHTI

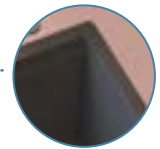
Tap model **Keto** in Solid Stainless Steel on sink model **Lahti N-100XL** in Asphalt



N-100 N-100L N-100XL



Tight corners - modern look



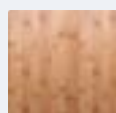
Integrated lip for hanging and laying multifunctional accessories



Two installation options
Same base cabinet for inset and undermount installation

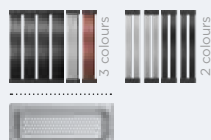
More accessories on p. 216

Chopping board



(629158)

Drain rack, Gastronorm



3 colours

2 colours

Wastecap



Corner dish



(629733)

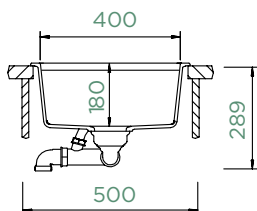
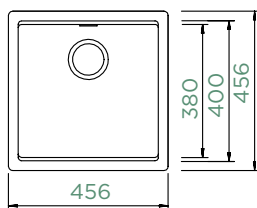


LAHTI N-100

TOPMOUNT/UNDERMOUNT

NEW

Cabinet size: **50 cm**
 Inner dimension of the bowl:
400 × 400 × 180 mm
 Installation: **fixed**
 Cut-out size topmount:
442 × 442 mm
 Cut-out size undermount:
406 × 406 mm



Corner bowl (629733)
 Wastecap (628152)

Accessories:

- Automatic drain kit (629307SET)
- Manual drain kit (629309)
- Chopping board, wood (629158)
- Silicone Drain Mat (629188)
- Silicone Drain Mat Short (629189)
- Design Drip Rack (629726S)
- Design Drip Rack (629726EDM)
- Design Drip Rack (629726COP)
- 2x2 Design Drip Rack (629738S)
- 2x2 Design Drip Rack (629738EDM)
- Carrier (629146)
- Gastronorm Container GN 2/8 (629060)
- Gastronorm Container GN 2/8 (629061)
- Gastronorm Container GN 2/3 (629063)

TOPMOUNT

UNDERMOUNT

CRISTALITE® BASIC LINE

- LATN100A GNE
- LATN100A GON
- LATN100A GAS
- LATN100A GCR
- LATN100A GDW

- LATN100U GNE
- LATN100U GON
- LATN100U GAS
- LATN100U GCR
- LATN100U GDW

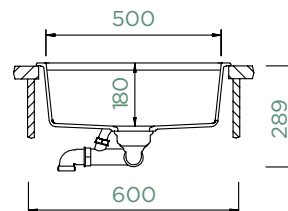
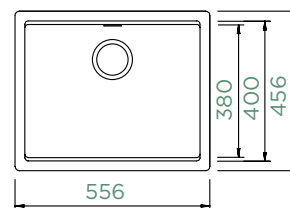


LAHTI N-100L

TOPMOUNT/UNDERMOUNT

NEW

Cabinet size: **60 cm**
 Inner dimension of the bowl:
500 × 400 × 180 mm
 Installation: **fixed**
 Cut-out size topmount:
542 × 442 mm
 Cut-out size undermount:
506 × 406 mm



Corner bowl (629733)
 Wastecap (628152)

Accessories:

- Automatic drain kit (629307SET)
- Manual drain kit (629309)
- Chopping board, wood (629158)
- Silicone Drain Mat (629188)
- Silicone Drain Mat Short (629189)
- Design Drip Rack (629726S)
- Design Drip Rack (629726EDM)
- Design Drip Rack (629726COP)
- 2x2 Design Drip Rack (629738S)
- 2x2 Design Drip Rack (629738EDM)
- Carrier (629146)
- Gastronorm Container GN 2/8 (629060)
- Gastronorm Container GN 2/8 (629061)
- Gastronorm Container GN 2/3 (629063)

TOPMOUNT

UNDERMOUNT

CRISTALITE® BASIC LINE

- LATN100LA GNE
- LATN100LA GON
- LATN100LA GAS
- LATN100LA GCR
- LATN100LA GDW

- LATN100LU GNE
- LATN100LU GON
- LATN100LU GAS
- LATN100LU GCR
- LATN100LU GDW



LAHTI N-100XL

TOPMOUNT/UNDERMOUNT

NEW

Cabinet size: **80 cm**

Inner dimension of the bowl:

700 × 400 × 180 mm

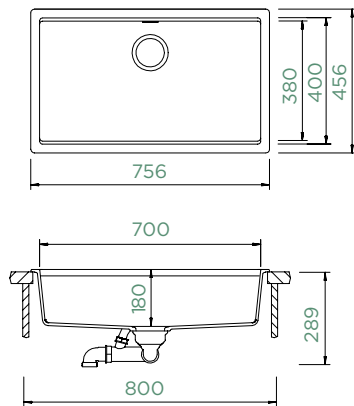
Installation: **fixed**

Cut-out size topmount:

742 × 442 mm

Cut-out size undermount:

706 × 406 mm



Accessories:

Automatic drain kit (629307SET)

Manual drain kit (629309)

Chopping board, wood (629158)

Silicone Drain Mat (629188)

Silicone Drain Mat Short (629189)

Design Drip Rack (629726S)

Design Drip Rack (629726EDM)

Design Drip Rack (629726COP)

2x2 Design Drip Rack (629738S)

2x2 Design Drip Rack (629738EDM)

Carrier (629146)

Gastronorm Container GN 2/8 (629060)

Gastronorm Container GN 2/8 (629061)

Gastronorm Container GN 2/3 (629063)

Corner bowl (629733)

Wastecap (628152)

TOPMOUNT

UNDERMOUNT

CRISTALITE® BASIC LINE

- LATN100XLA **GNE**
- LATN100XLA **GON**
- LATN100XLA **GAS**
- LATN100XLA **GCR**
- LATN100XLA **GDW**

- LATN100XLU **GNE**
- LATN100XLU **GON**
- LATN100XLU **GAS**
- LATN100XLU **GCR**
- LATN100XLU **GDW**



LITHOS

Tap model **Metis** in Chrome on sink model **Lithos D-100L** in Alpina

Wide choice of designs



Extra deep and wide drainer grooves

Smooth corners

All-round rim
keeps water and dirt contained within the sink area

Deep bowl
e.g. for filling tall vases or pots & pans

205 mm

More accessories on p. 216

Silicone drain mat



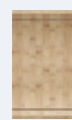
N-200S, N-200

Fibre-Rock chopping board



(629184)

Wooden chopping board



(629044)

Wastecap





LITHOS D-100

TOPMOUNT/UNDERMOUNT

Cabinet size: **45 cm**

Inner dimension of the bowl:

347 × 421 × 205 mm

Installation: **reversible**

Cut-out size topmount:

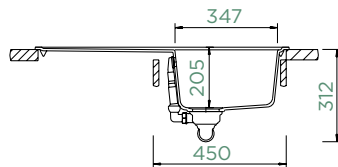
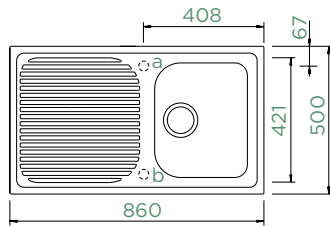
840 × 480 mm

Cut-out size undermount:

845 × 485 mm

Worktop for built-in

dishwasher: **27 mm**



Accessories:

Automatic drain kit (629871)

Manual drain kit (629870)

Chopping board, bamboo (629044)

Chopping board Fibre-Rock (629184)

Wastecap (628152)

TOPMOUNT

UNDERMOUNT

CRISTALITE® BASIC LINE

- LITD100A GNE
- LITD100A GON
- LITD100A GCR
- LITD100A GSA
- LITD100A GMS
- LITD100A GDW

- LITD100U GNE
- LITD100U GON
- LITD100U GCR
- LITD100U GSA
- LITD100U GMS
- LITD100U GDW



LITHOS D-100L

TOPMOUNT/UNDERMOUNT

Cabinet size: **60 cm**

Inner dimension of the bowl:

480 × 420 × 220 mm

Installation: **reversible**

Cut-out size topmount:

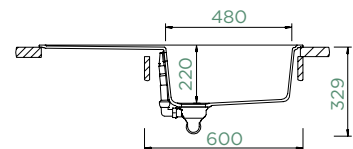
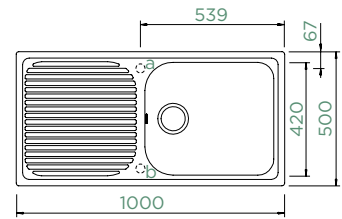
980 × 480 mm

Cut-out size undermount:

985 × 485 mm

Worktop for built-in

dishwasher: **12 mm**



Accessories:

Automatic drain kit (629871)

Manual drain kit (629870)

Chopping board, bamboo (629044)

Chopping board Fibre-Rock (629184)

Wastecap (628152)

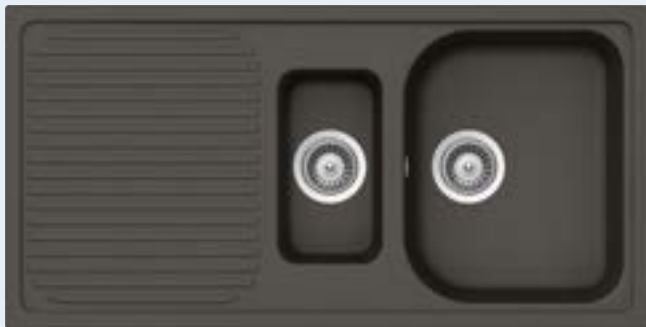
TOPMOUNT

UNDERMOUNT

CRISTALITE® BASIC LINE

- LITD100LA GNE
- LITD100LA GON
- LITD100LA GCR
- LITD100LA GSA
- LITD100LA GMS
- LITD100LA GDW

- LITD100LU GNE
- LITD100LU GON
- LITD100LU GCR
- LITD100LU GSA
- LITD100LU GMS
- LITD100LU GDW



LITHOS D-150

TOPMOUNT/UNDERMOUNT

Cabinet size: **60 cm**

Inner dimension of the bowl:

340 × 421 × 205 mm

Installation: **reversible**

Cut-out size topmount:

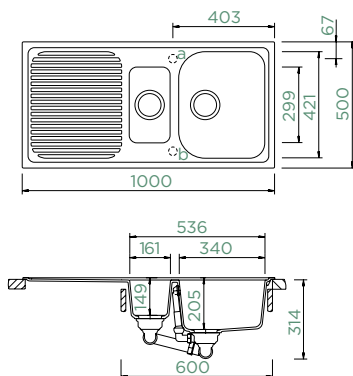
980 × 480 mm

Cut-out size undermount:

985 × 485 mm

Worktop for built-in

dishwasher: **27 mm**



Accessories:

Automatic drain kit (629875)

Manual drain kit (629874)

Chopping board, bamboo (629044)

Chopping board Fibre-Rock (629184)

Wastecap (628152)



LITHOS D-200

TOPMOUNT/UNDERMOUNT

Cabinet size: **80 cm**

Inner dimension of the bowl:

340 × 421 × 205 mm

Installation: **reversible**

Cut-out size topmount:

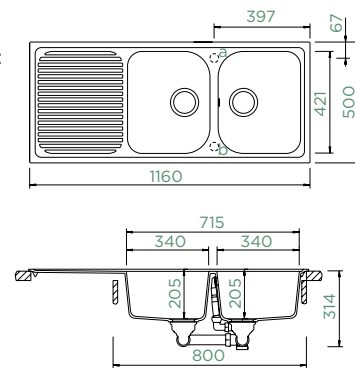
1140 × 480 mm

Cut-out size undermount:

1145 × 485 mm

Worktop for built-in

dishwasher: **27 mm**



Accessories:

Automatic drain kit (629875)

Manual drain kit (629874)

Chopping board, bamboo (629044)

Chopping board Fibre-Rock (629184)

Wastecap (628152)

TOPMOUNT

UNDERMOUNT

CRISTALITE® BASIC LINE

- LITD150A GNE
- LITD150A GON
- LITD150A GCR
- LITD150A GSA
- LITD150A GMS
- LITD150A GDW

- LITD150U GNE
- LITD150U GON
- LITD150U GCR
- LITD150U GSA
- LITD150U GMS
- LITD150U GDW

TOPMOUNT

UNDERMOUNT

CRISTALITE® BASIC LINE

- LITD200A GNE
- LITD200A GON
- LITD200A GCR
- LITD200A GSA
- LITD200A GMS
- LITD200A GDW

- LITD200U GNE
- LITD200U GON
- LITD200U GCR
- LITD200U GSA
- LITD200U GMS
- LITD200U GDW



LITHOS N-200S

TOPMOUNT/UNDERMOUNT

Cabinet size: **80 cm**

Inner dimension of the bowl:

338 × 421 × 205 mm

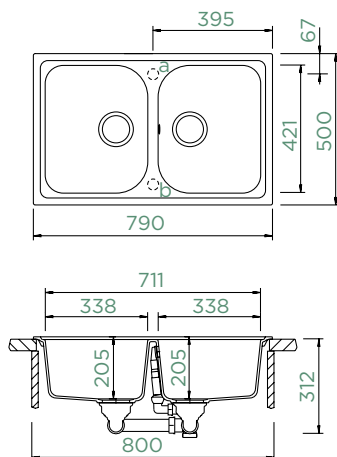
Installation: **reversible**

Cut-out size topmount:

770 × 480 mm

Cut-out size undermount:

775 × 485 mm



Accessories:

Automatic drain kit (629875)

Manual drain kit (629874)

Chopping board, bamboo (629044)

Chopping board Fibre-Rock (629184)

Wastecap (628152)

TOPMOUNT

UNDERMOUNT

CRISTALITE® BASIC LINE

- LITN200SA GNE
- LITN200SA GON
- LITN200SA GCR
- LITN200SA GSA
- LITN200SA GMS
- LITN200SA GDW

- LITN200SU GNE
- LITN200SU GON
- LITN200SU GCR
- LITN200SU GSA
- LITN200SU GMS
- LITN200SU GDW



LITHOS N-200

TOPMOUNT/UNDERMOUNT

Cabinet size: **90 cm**

Inner dimension of the bowl:

373 × 421 × 205 mm

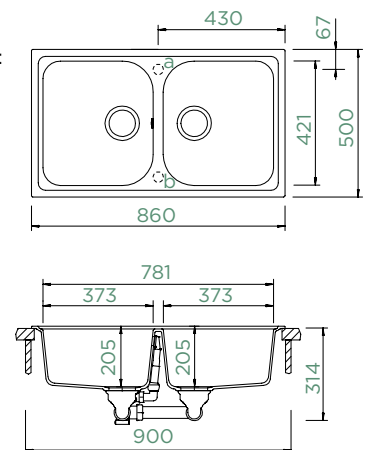
Installation: **reversible**

Cut-out size topmount:

840 × 480 mm

Cut-out size undermount:

845 × 485 mm



Accessories:

Automatic drain kit (629875)

Manual drain kit (629874)

Chopping board, bamboo (629044)

Chopping board Fibre-Rock (629184)

Wastecap (628152)

TOPMOUNT

UNDERMOUNT

CRISTALITE® BASIC LINE

- LITN200A GNE
- LITN200A GON
- LITN200A GCR
- LITN200A GSA
- LITN200A GMS
- LITN200A GDW

- LITN200U GNE
- LITN200U GON
- LITN200U GCR
- LITN200U GSA
- LITN200U GMS
- LITN200U GDW

MADISON

Tap model **Altos** in Solid Stainless Steel on sink model **Madison N-175** in Concrete



N-175

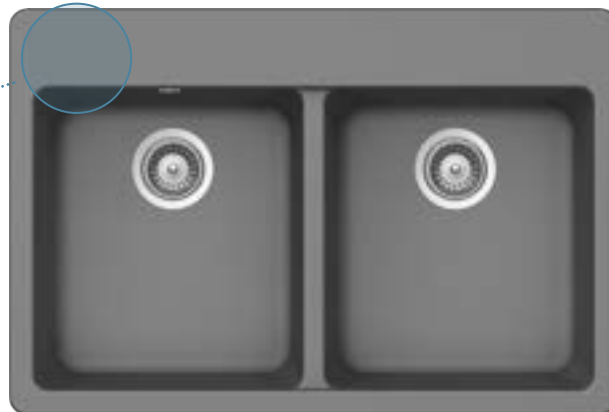
N-175Y

N-200

N-200Y



N-175, N-200
Integrated tap ledge
with additional holes
for ergonomic positioning of tap,
soap dispenser and
pop-up control



Deep bowl
e.g. for filling tall vases or pots & pans



More accessories on p. 216

Silicone drain
mat



Wastecap



Corner
dish



(629733)



MADISON N-175

TOPMOUNT/UNDERMOUNT

Cabinet size: **90 cm**

Inner dimension of the bowl:

370 × 461 × 241 mm

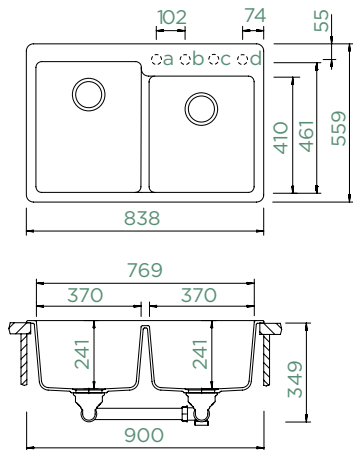
Installation: **fixed**

Cut-out size topmount:

818 × 539 mm

Cut-out size undermount:

Please use DXF data



Accessories:

Automatic drain kit (629326)

Manual drain kit (629325)

Silicone Drain Mat (629188)

Silicone Drain Mat Short (629189)

Corner bowl (629733)

Wastecap (628152)



MADISON N-175Y

UNDERMOUNT

Cabinet size: **90 cm**

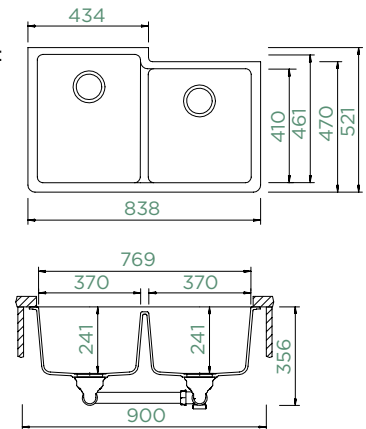
Inner dimension of the bowl:

370 × 461 × 241 mm

Installation: **fixed**

Cut-out size undermount:

Please use DXF data



Accessories:

Automatic drain kit (629326)

Manual drain kit (629325)

Silicone Drain Mat (629188)

Silicone Drain Mat Short (629189)

Corner bowl (629733)

Wastecap (628152)

TOPMOUNT	UNDERMOUNT
CRISTALITE® BASIC LINE	
● MDNN175A GNE	MDNN175U GNE
● MDNN175A GON	MDNN175U GON
● MDNN175A GAS	MDNN175U GAS
● MDNN175A GMC	MDNN175U GMC
● MDNN175A GBT	MDNN175U GBT
● MDNN175A GCR	MDNN175U GCR
● MDNN175A GSA	MDNN175U GSA
● MDNN175A GTE	MDNN175U GTE
● MDNN175A GMS	MDNN175U GMS
● MDNN175A GEV	MDNN175U GEV
○ MDNN175A GDW	MDNN175U GDW
○ MDNN175A GSW	MDNN175U GSW

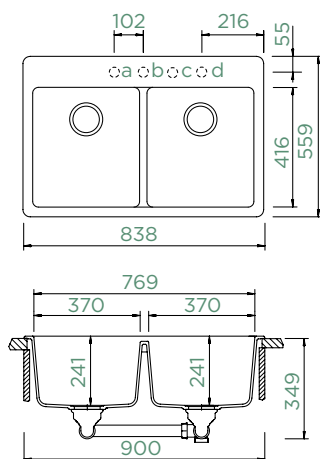
UNDERMOUNT	
CRISTALITE® BASIC LINE	
● MDNN175YU GNE	
● MDNN175YU GON	
● MDNN175YU GAS	
● MDNN175YU GMC	
● MDNN175YU GBT	
● MDNN175YU GCR	
● MDNN175YU GSA	
● MDNN175YU GTE	
● MDNN175YU GMS	
● MDNN175YU GEV	
○ MDNN175YU GDW	
○ MDNN175YU GSW	



MADISON N-200

TOPMOUNT/UNDERMOUNT

Cabinet size: **90 cm**
 Inner dimension of the bowl:
370 × 416 × 241 mm
 Installation: **fixed**
 Cut-out size topmount:
818 × 539 mm
 Cut-out size undermount:
Please use DXF data



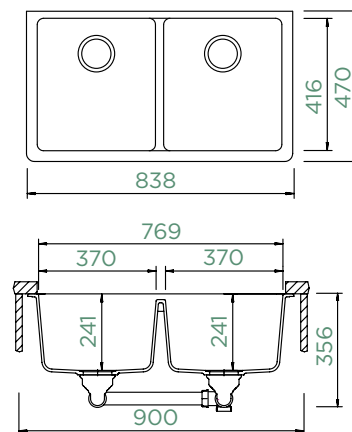
Accessories:
 Automatic drain kit (629326)
 Manual drain kit (629325)
 Silicone Drain Mat (629188)
 Silicone Drain Mat Short (629189)
 Corner bowl (629733)
 Wastecap (628152)



MADISON N-200Y

UNDERMOUNT

Cabinet size: **90 cm**
 Inner dimension of the bowl:
370 × 416 × 241 mm
 Installation: **fixed**
 Cut-out size undermount:
Please use DXF data



Accessories:
 Automatic drain kit (629326)
 Manual drain kit (629325)
 Silicone Drain Mat (629188)
 Silicone Drain Mat Short (629189)
 Corner bowl (629733)
 Wastecap (628152)

TOPMOUNT

UNDERMOUNT

CRISTALITE® BASIC LINE

- MDNN200A GNE
- MDNN200A GON
- MDNN200A GAS
- MDNN200A GMC
- MDNN200A GBT
- MDNN200A GCR
- MDNN200A GSA
- MDNN200A GTE
- MDNN200A GMS
- MDNN200A GEV
- MDNN200A GDW
- MDNN200A GSW

- MDNN200U GNE
- MDNN200U GON
- MDNN200U GAS
- MDNN200U GMC
- MDNN200U GBT
- MDNN200U GCR
- MDNN200U GSA
- MDNN200U GTE
- MDNN200U GMS
- MDNN200U GEV
- MDNN200U GDW
- MDNN200U GSW

UNDERMOUNT

CRISTALITE® BASIC LINE

- MDNN200YU GNE
- MDNN200YU GON
- MDNN200YU GAS
- MDNN200YU GMC
- MDNN200YU GBT
- MDNN200YU GCR
- MDNN200YU GSA
- MDNN200YU GTE
- MDNN200YU GMS
- MDNN200YU GEV
- MDNN200YU GDW
- MDNN200YU GSW



MANHATTAN

Tap model **SC-520** in Asphalt on sink model **Manhattan D-100S** in Asphalt

Wide choice of designs



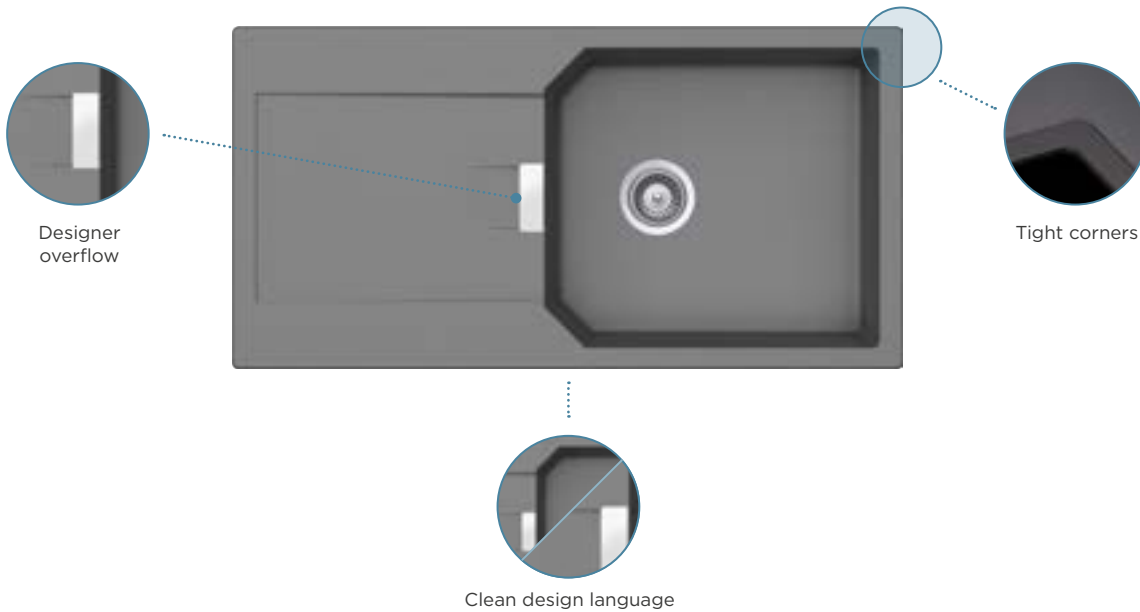
D-100XS

D-100S

D-100L

D-150S

R-100



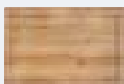
Designer overflow

Tight corners

Clean design language

More accessories on p. 216

Wooden chopping board



D-100XS, D-100S

Soap dispenser



Wastecap



Comfopush



Corner dish



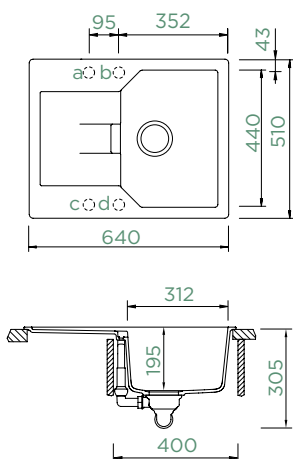
(629733)
Not R-100



MANHATTAN D-100XS

TOPMOUNT/UNDERMOUNT

Cabinet size: **40 cm**
 Inner dimension of the bowl:
312 × 440 × 195 mm
 Installation: **reversible**
 Cut-out size topmount:
620 × 490 mm
 Cut-out size undermount:
624 × 494 mm
 Worktop for built-in
 dishwasher: **26 mm**



Accessories:

- Automatic drain kit (629368)
- Manual drain kit (629395)
- Chopping board, bamboo (629052)
- Corner bowl (629733)
- Amur (629014)
- Ladon (629016)
- Samo CHR (629169CHR)
- Comfopush, EDM (629891EDM)
- Comfopush, CHR (629891CHR)
- Wastecap (628152)

TOPMOUNT

UNDERMOUNT

CRISTALITE® BASIC LINE

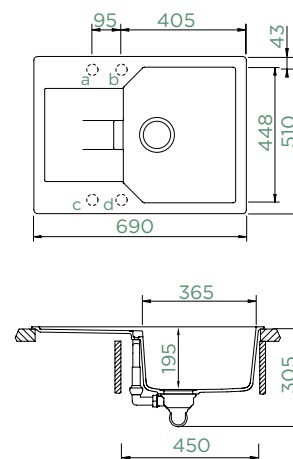
- | | |
|-------------------------|-----------------------|
| ● MAND100XSA GNE | MAND100XSU GNE |
| ● MAND100XSA GON | MAND100XSU GON |
| ● MAND100XSA GAS | MAND100XSU GAS |
| ● MAND100XSA GMC | MAND100XSU GMC |
| ● MAND100XSA INC | MAND100XSU INC |
| ● MAND100XSA GBT | MAND100XSU GBT |
| ● MAND100XSA GCR | MAND100XSU GCR |
| ● MAND100XSA GSA | MAND100XSU GSA |
| ● MAND100XSA GTE | MAND100XSU GTE |
| ● MAND100XSA GMS | MAND100XSU GMS |
| ● MAND100XSA GEV | MAND100XSU GEV |
| ○ MAND100XSA GDW | MAND100XSU GDW |
| ○ MAND100XSA GSW | MAND100XSU GSW |



MANHATTAN D-100S

TOPMOUNT/UNDERMOUNT

Cabinet size: **45 cm**
 Inner dimension of the bowl:
365 × 448 × 195 mm
 Installation: **reversible**
 Cut-out size topmount:
670 × 490 mm
 Cut-out size undermount:
674 × 494 mm
 Worktop for built-in
 dishwasher: **26 mm**



Accessories:

- Automatic drain kit (629368)
- Manual drain kit (629395)
- Chopping board, bamboo (629052)
- Corner bowl (629733)
- Amur (629014)
- Ladon (629016)
- Samo CHR (629169CHR)
- Comfopush, CHR (629891CHR)
- Comfopush, EDM (629891EDM)
- Wastecap (628152)

TOPMOUNT

UNDERMOUNT

CRISTALITE® BASIC LINE

- | | |
|------------------------|----------------------|
| ● MAND100SA GNE | MAND100SU GNE |
| ● MAND100SA GON | MAND100SU GON |
| ● MAND100SA GAS | MAND100SU GAS |
| ● MAND100SA GMC | MAND100SU GMC |
| ● MAND100SA INC | MAND100SU INC |
| ● MAND100SA GBT | MAND100SU GBT |
| ● MAND100SA GCR | MAND100SU GCR |
| ● MAND100SA GSA | MAND100SU GSA |
| ● MAND100SA GTE | MAND100SU GTE |
| ● MAND100SA GMS | MAND100SU GMS |
| ● MAND100SA GEV | MAND100SU GEV |
| ○ MAND100SA GDW | MAND100SU GDW |
| ○ MAND100SA GSW | MAND100SU GSW |



MANHATTAN D-100L

TOPMOUNT/UNDERMOUNT

Cabinet size: **60 cm**

Inner dimension of the bowl:

500 × 446 × 195 mm

Installation: **reversible**

Cut-out size topmount:

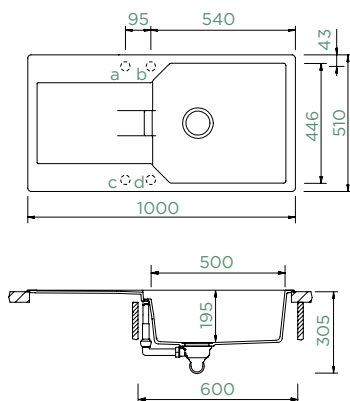
980 × 490 mm

Cut-out size undermount:

984 × 494 mm

Worktop for built-in

dishwasher: **21 mm**



Accessories:

Automatic drain kit (629368)

Manual drain kit (629395)

Corner bowl (629733)

Amur (629014)

Ladon (629016)

Samo CHR (629169CHR)

Comfopush, CHR (629891CHR)

Comfopush, EDM (629891EDM)

Wastecap (628152)

TOPMOUNT

UNDERMOUNT

CRISTALITE® BASIC LINE

● MAND100LA GNE	MAND100LU GNE
● MAND100LA GON	MAND100LU GON
● MAND100LA GAS	MAND100LU GAS
● MAND100LA GMC	MAND100LU GMC
● MAND100LA INC	MAND100LU INC
● MAND100LA GBT	MAND100LU GBT
● MAND100LA GCR	MAND100LU GCR
● MAND100LA GSA	MAND100LU GSA
● MAND100LA GTE	MAND100LU GTE
● MAND100LA GMS	MAND100LU GMS
● MAND100LA GEV	MAND100LU GEV
○ MAND100LA GDW	MAND100LU GDW
○ MAND100LA GSW	MAND100LU GSW



MANHATTAN D-150S

TOPMOUNT/UNDERMOUNT

Cabinet size: **60 cm**

Inner dimension of the bowl:

344 × 430 × 200 mm

Installation: **reversible**

Cut-out size topmount:

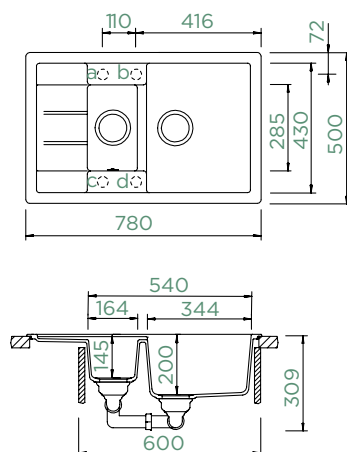
760 × 480 mm

Cut-out size undermount:

764 × 484 mm

Worktop for built-in

dishwasher: **21 mm**



Accessories:

Automatic drain kit (629305)

Manual drain kit (629304)

Chopping board, bamboo (629044)

Chopping board Fibre-Rock (629184)

Corner bowl (629733)

Amur (629014)

Ladon (629016)

Samo CHR (629169CHR)

Comfopush, CHR (629891CHR)

Comfopush, EDM (629891EDM)

Wastecap (628152)

TOPMOUNT

UNDERMOUNT

CRISTALITE® BASIC LINE

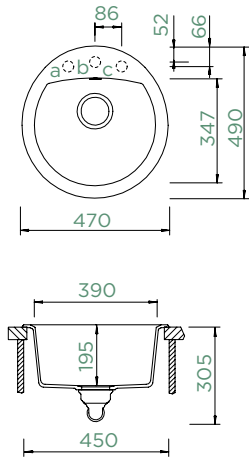
● MAND150SA GNE	MAND150SU GNE
● MAND150SA GON	MAND150SU GON
● MAND150SA GAS	MAND150SU GAS
● MAND150SA GMC	MAND150SU GMC
● MAND150SA GBT	MAND150SU GBT
● MAND150SA GCR	MAND150SU GCR
● MAND150SA GSA	MAND150SU GSA
● MAND150SA GTE	MAND150SU GTE
● MAND150SA GMS	MAND150SU GMS
● MAND150SA GEV	MAND150SU GEV
○ MAND150SA GDW	MAND150SU GDW
○ MAND150SA GSW	MAND150SU GSW



MANHATTAN R-100

TOPMOUNT/UNDERMOUNT

Cabinet size: **45 cm**
 Inner dimension of the bowl:
390 × 347 × 195 mm
 Installation: **fixed**
 Cut-out size topmount:
according to template
 Cut-out size undermount:
according to template



- Accessories:**
 Automatic drain kit (629313)
 Manual drain kit (629314)
 Amur (629014)
 Ladon (629016)
 Samo CHR (629169CHR)
 Comfopush, CHR (629891CHR)
 Comfopush, EDM (629891EDM)
 Wastecap (628152)

TOPMOUNT

UNDERMOUNT

CRISTALITE® BASIC LINE

- | | |
|----------------|--------------|
| ● MANR100A GNE | MANR100U GNE |
| ● MANR100A GON | MANR100U GON |
| ● MANR100A GAS | MANR100U GAS |
| ● MANR100A GMC | MANR100U GMC |
| ● MANR100A INC | MANR100U INC |
| ● MANR100A GBT | MANR100U GBT |
| ● MANR100A GCR | MANR100U GCR |
| ● MANR100A GSA | MANR100U GSA |
| ● MANR100A GTE | MANR100U GTE |
| ● MANR100A GMS | MANR100U GMS |
| ● MANR100A GEV | MANR100U GEV |
| ○ MANR100A GDW | MANR100U GDW |
| ○ MANR100A GSW | MANR100U GSW |





NEMO

Tap model **Daja** in Chrome on sink model **Nemo N-100S** in Onyx



N-100S

N-100



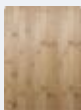
Integrated tap ledge
with additional holes
for ergonomic positioning of
tap, soap dispenser and pop-up
control



Integrated lip
for hanging and
laying multifunctional
accessories

More accessories on p. 216

Chopping board



(629159)

Functional bowl



(629017)

Gastronorm container



Soap dispenser



Wastecap



Comfopush



Corner dish



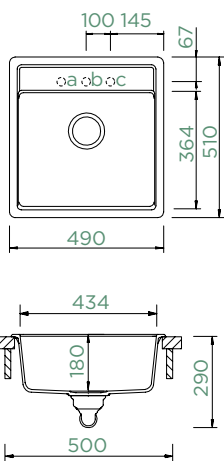
(629733)



NEMO N-100S

TOPMOUNT/UNDERMOUNT

Cabinet size: **50 cm**
 Inner dimension of the bowl:
434 × 364 × 180 mm
 Installation: **fixed**
 Cut-out size topmount:
470 × 490 mm
 Cut-out size undermount:
434 × 454 mm



Accessories:

- Automatic drain kit (629313)
- Manual drain kit (629314)
- Chopping board, bamboo (629159)
- Silicone Drain Mat (629188)
- Silicone Drain Mat Short (629189)
- Strainer bowl (629017)
- Corner bowl (629733)
- Carrier (629151)
- Gastronorm Container GN 2/8 (629060)
- Gastronorm Container GN 2/8 (629061)
- Gastronorm Container GN 2/3 (629063)
- Amur (629014)
- Ladon (629016)
- Samo CHR (629169CHR)

- Comfopush, CHR (629891CHR)
- Comfopush, EDM (629891EDM)
- Wastecap (628152)

TOPMOUNT

UNDERMOUNT

CRISTALITE® BASIC LINE

- NEMN100SA GNE
- NEMN100SA GON
- NEMN100SA GAS
- NEMN100SA GMC
- NEMN100SA INC
- NEMN100SA GBT
- NEMN100SA GCR
- NEMN100SA GSA
- NEMN100SA GTE
- NEMN100SA GMS
- NEMN100SA GEV
- NEMN100SA GDW
- NEMN100SA GSW

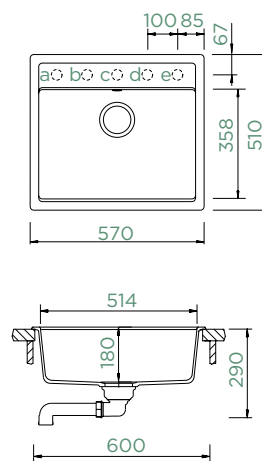
- NEMN100SU GNE
- NEMN100SU GON
- NEMN100SU GAS
- NEMN100SU GMC
- NEMN100SU INC
- NEMN100SU GBT
- NEMN100SU GCR
- NEMN100SU GSA
- NEMN100SU GTE
- NEMN100SU GMS
- NEMN100SU GEV
- NEMN100SU GDW
- NEMN100SU GSW



NEMO N-100

TOPMOUNT/UNDERMOUNT

Cabinet size: **60 cm**
 Inner dimension of the bowl:
514 × 358 × 180 mm
 Installation: **fixed**
 Cut-out size topmount:
552 × 490 mm
 Cut-out size undermount:
514 × 454 mm



Accessories:

- Automatic drain kit (629313)
- Manual drain kit (629314)
- Chopping board, bamboo (629159)
- Strainer bowl (629017)
- Corner bowl (629733)
- Carrier (629151)
- Gastronorm Container GN 2/8 (629060)
- Gastronorm Container GN 2/8 (629061)
- Gastronorm Container GN 2/3 (629063)
- Amur (629014)
- Ladon (629016)
- Samo CHR (629169CHR)
- Comfopush, CHR (629891CHR)
- Comfopush, EDM (629891EDM)

- Wastecap (628152)

TOPMOUNT

UNDERMOUNT

CRISTALITE® BASIC LINE

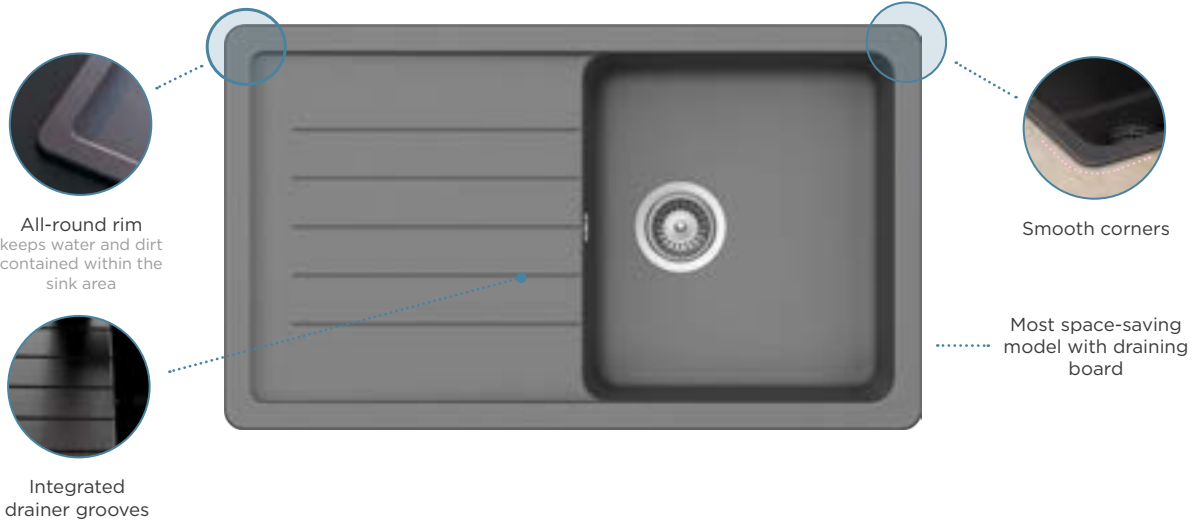
- NEMN100A GNE
- NEMN100A GON
- NEMN100A GAS
- NEMN100A GMC
- NEMN100A INC
- NEMN100A GBT
- NEMN100A GCR
- NEMN100A GSA
- NEMN100A GTE
- NEMN100A GMS
- NEMN100A GEV
- NEMN100A GDW
- NEMN100A GSW

- NEMN100U GNE
- NEMN100U GON
- NEMN100U GAS
- NEMN100U GMC
- NEMN100U INC
- NEMN100U GBT
- NEMN100U GCR
- NEMN100U GSA
- NEMN100U GTE
- NEMN100U GMS
- NEMN100U GEV
- NEMN100U GDW
- NEMN100U GSW



PINEDO

Tap model **Simi** in Onyx on sink model **Pinedo D-100** in Onyx



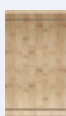
More accessories on p. 216

Fibre-Rock chopping board



(629184)

Wooden chopping board



(629044)

Wastecap



Comfopush



Corner dish



(629733)



PINEDO D-100

TOPMOUNT/UNDERMOUNT

Cabinet size: **50 cm**

Inner dimension of the bowl:

385 × 432 × 175 mm

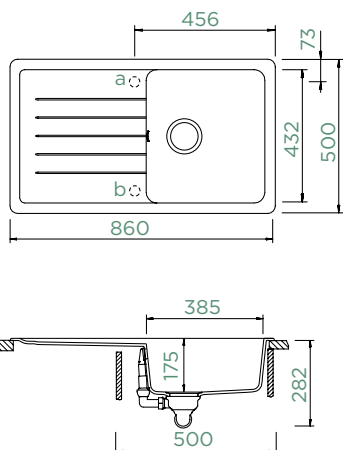
Installation: **reversible**

Cut-out size topmount:

840 × 480 mm

Cut-out size undermount:

846 × 486 mm



Accessories:

- Automatic drain kit (629313)
- Manual drain kit (629314)
- Chopping board, bamboo (629044)
- Chopping board Fibre-Rock (629184)
- Corner bowl (629733)
- Comfopush, CHR (629891CHR)
- Comfopush, EDM (629891EDM)
- Wastecap (628152)

TOPMOUNT

UNDERMOUNT

CRISTALITE® BASIC LINE

- PIND100A **GNE**
- PIND100A **GON**
- PIND100A **GAS**
- PIND100A **GCR**
- PIND100A **GDW**

- PIND100U **GNE**
- PIND100U **GON**
- PIND100U **GAS**
- PIND100U **GCR**
- PIND100U **GDW**



PINEDO D-100L

TOPMOUNT/UNDERMOUNT

Cabinet size: **60 cm**

Inner dimension of the bowl:

485 × 432 × 175 mm

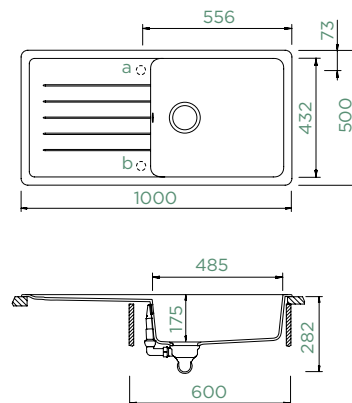
Installation: **reversible**

Cut-out size topmount:

980 × 480 mm

Cut-out size undermount:

986 × 486 mm



Accessories:

- Automatic drain kit (629313)
- Manual drain kit (629314)
- Chopping board, bamboo (629044)
- Chopping board Fibre-Rock (629184)
- Corner bowl (629733)
- Comfopush, CHR (629891CHR)
- Comfopush, EDM (629891EDM)
- Wastecap (628152)

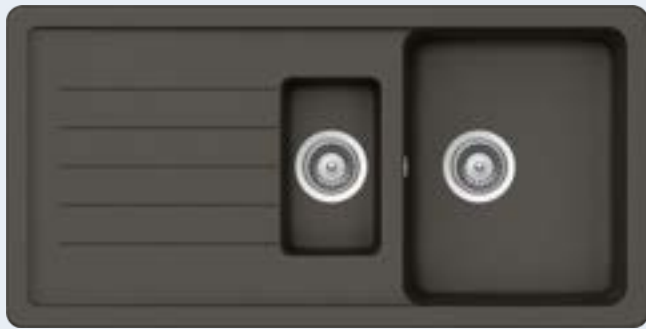
TOPMOUNT

UNDERMOUNT

CRISTALITE® BASIC LINE

- PIND100LA **GNE**
- PIND100LA **GON**
- PIND100LA **GAS**
- PIND100LA **GCR**
- PIND100LA **GDW**

- PIND100LU **GNE**
- PIND100LU **GON**
- PIND100LU **GAS**
- PIND100LU **GCR**
- PIND100LU **GDW**



PINEDO D-150

TOPMOUNT/UNDERMOUNT

Cabinet size: **60 cm**

Inner dimension of the bowl:

350 × 432 × 175 mm

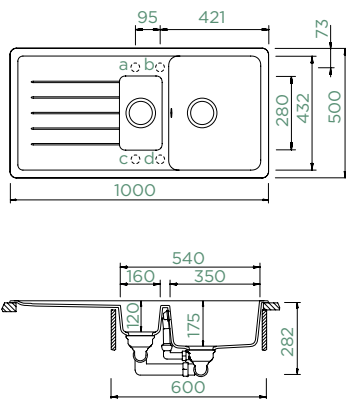
Installation: **reversible**

Cut-out size topmount:

980 × 480 mm

Cut-out size undermount:

986 × 486 mm



Accessories:

Automatic drain kit (629305)

Manual drain kit (629304)

Chopping board, bamboo (629044)

Chopping board Fibre-Rock (629184)

Corner bowl (629733)

Comfopush, CHR (629891CHR)

Comfopush, EDM (629891EDM)

Wastecap (628152)

TOPMOUNT

UNDERMOUNT

CRISTALITE® BASIC LINE

- PIND150A GNE
- PIND150A GON
- PIND150A GAS
- PIND150A GCR
- PIND150A GDW

- PIND150U GNE
- PIND150U GON
- PIND150U GAS
- PIND150U GCR
- PIND150U GDW

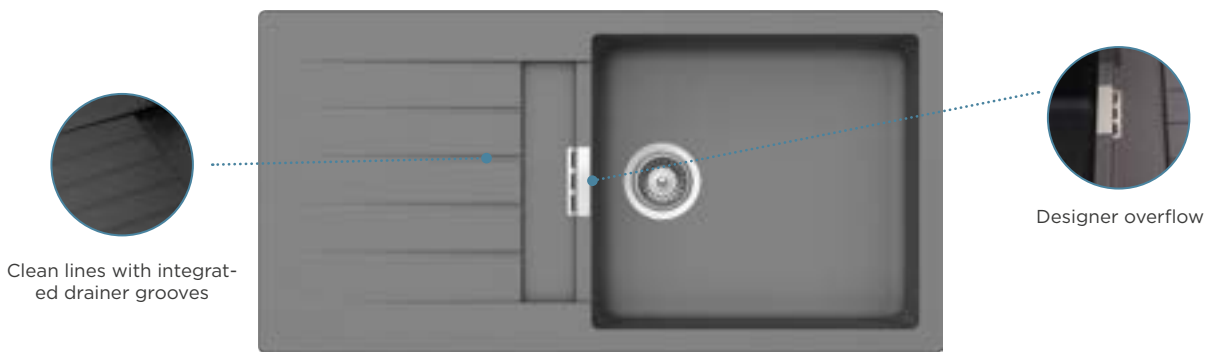




PRIMUS

Tap model **Epos** in Chrome on sink model **Primus D-100** in Nero

Wide choice of designs

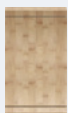


Deep bowl
e.g. for filling tall vases or pots & pans



More accessories on p. 216

Wooden chopping board



(629044)

Fibre-Rock chopping board



(629184)

Soap dispenser



Wastecap



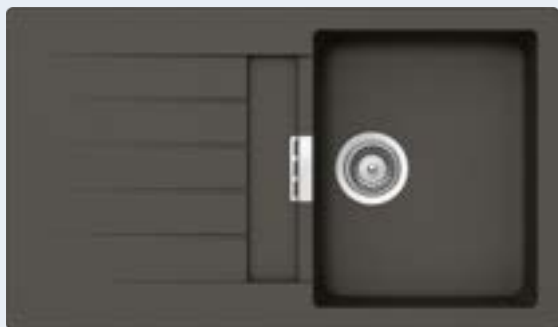
Comfopush



Corner dish



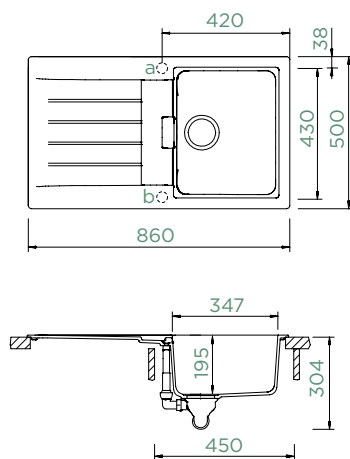
(629733)



PRIMUS D-100

TOPMOUNT/UNDERMOUNT

Cabinet size: **45 cm**
 Inner dimension of the bowl:
347 × 430 × 195 mm
 Installation: **reversible**
 Cut-out size topmount:
840 × 480 mm
 Cut-out size undermount:
846 × 486 mm
 Worktop for built-in
 dishwasher: **22 mm**



Accessories:

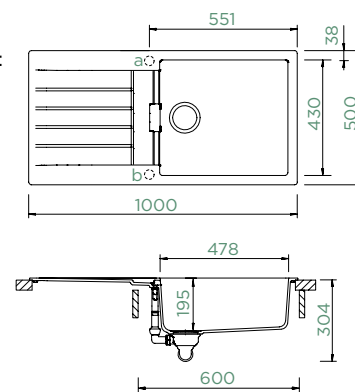
- Automatic drain kit (629371)
- Manual drain kit (629370)
- Chopping board, bamboo (629044)
- Chopping board Fibre-Rock (629184)
- Corner bowl (629733)
- Wire basket (629171)
- Ladon (629016)
- Comfopush, CHR (629891CHR)
- Comfopush, EDM (629891EDM)
- Wastecap (628152)



PRIMUS D-100L

TOPMOUNT/UNDERMOUNT

Cabinet size: **60 cm**
 Inner dimension of the bowl:
478 × 430 × 195 mm
 Installation: **reversible**
 Cut-out size topmount:
980 × 480 mm
 Cut-out size undermount:
986 × 486 mm
 Worktop for built-in
 dishwasher: **21 mm**



Accessories:

- Automatic drain kit (629371)
- Manual drain kit (629370)
- Chopping board, bamboo (629044)
- Chopping board Fibre-Rock (629184)
- Corner bowl (629733)
- Wire basket (629171)
- Ladon (629016)
- Comfopush, CHR (629891CHR)
- Comfopush, EDM (629891EDM)
- Wastecap (628152)

TOPMOUNT

UNDERMOUNT

CRISTALITE® BASIC LINE

- | | |
|----------------|--------------|
| ● PRID100A GNE | PRID100U GNE |
| ● PRID100A GON | PRID100U GON |
| ● PRID100A GAS | PRID100U GAS |
| ● PRID100A GMC | PRID100U GMC |
| ● PRID100A INC | PRID100U INC |
| ● PRID100A GBT | PRID100U GBT |
| ● PRID100A GCR | PRID100U GCR |
| ● PRID100A GSA | PRID100U GSA |
| ● PRID100A GTE | PRID100U GTE |
| ● PRID100A GMS | PRID100U GMS |
| ● PRID100A GEV | PRID100U GEV |
| ○ PRID100A GDW | PRID100U GDW |
| ○ PRID100A GSW | PRID100U GSW |

TOPMOUNT

UNDERMOUNT

CRISTALITE® BASIC LINE

- | | |
|-----------------|---------------|
| ● PRID100LA GNE | PRID100LU GNE |
| ● PRID100LA GON | PRID100LU GON |
| ● PRID100LA GAS | PRID100LU GAS |
| ● PRID100LA GMC | PRID100LU GMC |
| ● PRID100LA INC | PRID100LU INC |
| ● PRID100LA GBT | PRID100LU GBT |
| ● PRID100LA GCR | PRID100LU GCR |
| ● PRID100LA GSA | PRID100LU GSA |
| ● PRID100LA GTE | PRID100LU GTE |
| ● PRID100LA GMS | PRID100LU GMS |
| ● PRID100LA GEV | PRID100LU GEV |
| ○ PRID100LA GDW | PRID100LU GDW |
| ○ PRID100LA GSW | PRID100LU GSW |



PRIMUS D-150

TOPMOUNT/UNDERMOUNT

Cabinet size: **60 cm**

Inner dimension of the bowl:

344 × 430 × 195 mm

Installation: **reversible**

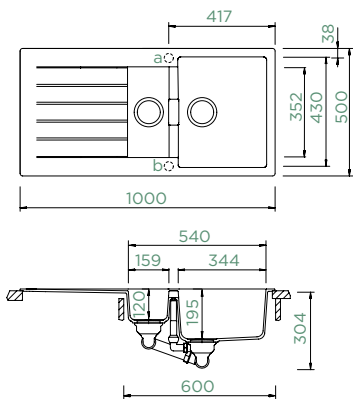
Cut-out size topmount:

980 × 480 mm

Cut-out size undermount:

986 × 486 mm

Worktop for built-in dishwasher: **14 mm**



Accessories:

- Automatic drain kit (629373)
- Manual drain kit (629372)
- Chopping board, bamboo (629044)
- Chopping board Fibre-Rock (629184)
- Strainer bowl (629043)
- Corner bowl (629733)
- Wire basket (629171)
- Ladon (629016)
- Comfopush, CHR (629891CHR)
- Comfopush, EDM (629891EDM)
- Wastecap (628152)



PRIMUS N-100XL

TOPMOUNT/UNDERMOUNT

Cabinet size: **80 cm**

Inner dimension of the bowl:

720 × 384 × 195 mm

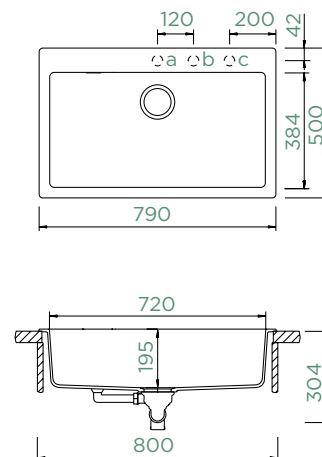
Installation: **fixed**

Cut-out size topmount:

770 × 480 mm

Cut-out size undermount:

775 × 485 mm



Accessories:

- Manual drain kit (629309)
- Automatic drain kit (629307)
- Chopping board, bamboo (629044)
- Silicone Drain Mat (629188)
- Silicone Drain Mat Short (629189)
- Corner bowl (629733)
- Amur (629014)
- Ladon (629016)
- Samo CHR (629169CHR)
- Comfopush, CHR (629891CHR)
- Comfopush, EDM (629891EDM)
- Wastecap (628152)

TOPMOUNT	UNDERMOUNT
CRISTALITE® BASIC LINE	
● PRID150A GNE	PRID150U GNE
● PRID150A GON	PRID150U GON
● PRID150A GAS	PRID150U GAS
● PRID150A GMC	PRID150U GMC
● PRID150A INC	PRID150U INC
● PRID150A GBT	PRID150U GBT
● PRID150A GCR	PRID150U GCR
● PRID150A GSA	PRID150U GSA
● PRID150A GTE	PRID150U GTE
● PRID150A GMS	PRID150U GMS
● PRID150A GEV	PRID150U GEV
○ PRID150A GDW	PRID150U GDW
○ PRID150A GSW	PRID150U GSW

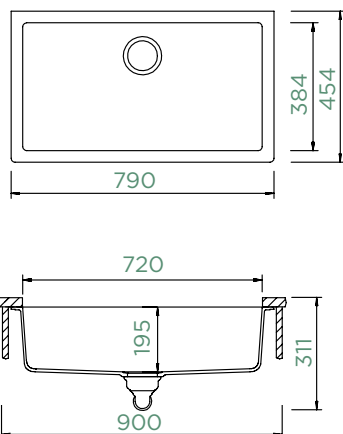
TOPMOUNT	UNDERMOUNT
CRISTALITE® BASIC LINE	
● PRIN100XLA GNE	PRIN100XLU GNE
● PRIN100XLA GON	PRIN100XLU GON
● PRIN100XLA GAS	PRIN100XLU GAS
● PRIN100XLA GMC	PRIN100XLU GMC
● PRIN100XLA INC	PRIN100XLU INC
● PRIN100XLA GBT	PRIN100XLU GBT
● PRIN100XLA GCR	PRIN100XLU GCR
● PRIN100XLA GSA	PRIN100XLU GSA
● PRIN100XLA GTE	PRIN100XLU GTE
● PRIN100XLA GMS	PRIN100XLU GMS
● PRIN100XLA GEV	PRIN100XLU GEV
○ PRIN100XLA GDW	PRIN100XLU GDW
○ PRIN100XLA GSW	PRIN100XLU GSW



PRIMUS N-100XLY

UNDERMOUNT

Cabinet size: **90 cm**
 Inner dimension of the bowl:
720 × 384 × 195 mm
 Installation: **fixed**
 Cut-out size undermount:
720 × 384 mm



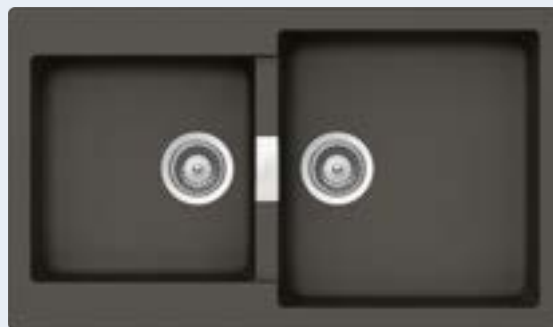
Accessories:

- Manual drain kit (629309)
- Automatic drain kit (629307)
- Silicone Drain Mat (629188)
- Silicone Drain Mat Short (629189)
- Corner bowl (629733)
- Ladon (629016)
- Comfopush, CHR (629891CHR)
- Comfopush, EDM (629891EDM)
- Wastecap (628152)

UNDERMOUNT

CRISTALITE® BASIC LINE

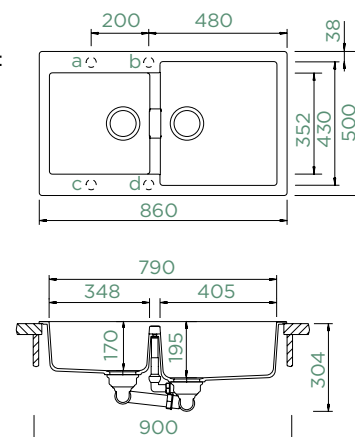
- PRIN100XLYU GNE
- PRIN100XLYU GON
- PRIN100XLYU GAS
- PRIN100XLYU GMC
- PRIN100XLYU INC
- PRIN100XLYU GBT
- PRIN100XLYU GCR
- PRIN100XLYU GSA
- PRIN100XLYU GTE
- PRIN100XLYU GMS
- PRIN100XLYU GEV
- PRIN100XLYU GDW
- PRIN100XLYU GSW



PRIMUS N-200

TOPMOUNT/UNDERMOUNT

Cabinet size: **90 cm**
 Inner dimension of the bowl:
405 × 430 × 195 mm
 Installation: **reversible**
 Cut-out size topmount:
840 × 480 mm
 Cut-out size undermount:
846 × 486 mm



Accessories:

- Automatic drain kit (629373)
- Manual drain kit (629372)
- Chopping board, bamboo (629044)
- Chopping board Fibre-Rock (629184)
- Silicone Drain Mat (629188)
- Silicone Drain Mat Short (629189)
- Corner bowl (629733)
- Wire basket (629171)
- Amur (629014)
- Ladon (629016)
- Samo CHR (629169CHR)
- Comfopush, CHR (629891CHR)
- Comfopush, EDM (629891EDM)
- Wastecap (628152)

TOPMOUNT

CRISTALITE® BASIC LINE

- PRIN200A GNE
- PRIN200A GON
- PRIN200A GAS
- PRIN200A GMC
- PRIN200A GBT
- PRIN200A GCR
- PRIN200A GSA
- PRIN200A GTE
- PRIN200A GMS
- PRIN200A GEV
- PRIN200A GDW
- PRIN200A GSW

UNDERMOUNT

- PRIN200U GNE
- PRIN200U GON
- PRIN200U GAS
- PRIN200U GMC
- PRIN200U GBT
- PRIN200U GCR
- PRIN200U GSA
- PRIN200U GTE
- PRIN200U GMS
- PRIN200U GEV
- PRIN200U GDW
- PRIN200U GSW



QUADRO

Tap model **Metis** in Chrome on sink model **Quadro N-150** in Concrete



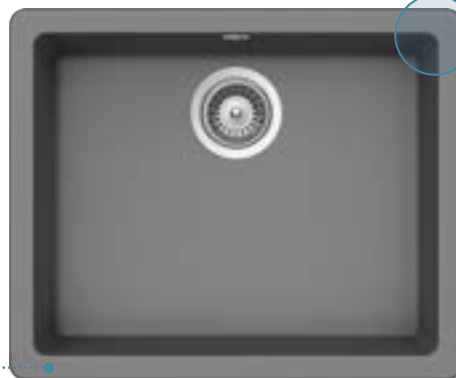
N-100S



N-100



N-150



Two installation options
Same base cabinet for inset and
undermount installation



Tight corners -
modern look

Deep bowl
e.g. for filling tall vases or pots & pans



More accessories on p. 216

**Functional
bowl**



(629051SH)
N-150

**Silicone drain
mat**



Wastecap



Comfopush



**Corner
dish**



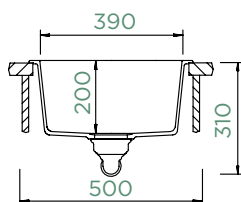
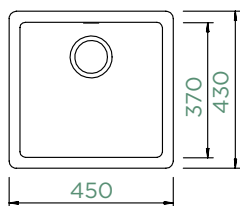
(629733)



QUADRO N-100S

TOPMOUNT/UNDERMOUNT

Cabinet size: **50 cm**
 Inner dimension of the bowl:
390 × 370 × 200 mm
 Installation: **fixed**
 Cut-out size topmount:
430 × 410 mm
 Cut-out size undermount:
390 × 370 mm



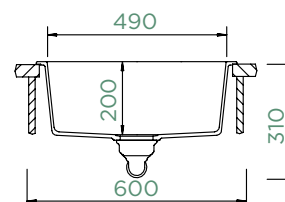
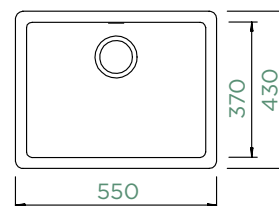
Accessories:
 Automatic drain kit (629313)
 Manual drain kit (629314)
 Strainer bowl (629051SH)
 Silicone Drain Mat (629188)
 Silicone Drain Mat Short (629189)
 Corner bowl (629733)
 Comfopush, CHR (629891CHR)
 Comfopush, EDM (629891EDM)
 Wastecap (628152)



QUADRO N-100

TOPMOUNT/UNDERMOUNT

Cabinet size: **60 cm**
 Inner dimension of the bowl:
490 × 370 × 200 mm
 Installation: **fixed**
 Cut-out size topmount:
530 × 410 mm
 Cut-out size undermount:
490 × 370 mm



Accessories:
 Automatic drain kit (629313)
 Manual drain kit (629314)
 Strainer bowl (629051SH)
 Silicone Drain Mat (629188)
 Silicone Drain Mat Short (629189)
 Corner bowl (629733)
 Comfopush, CHR (629891CHR)
 Comfopush, EDM (629891EDM)
 Wastecap (628152)

TOPMOUNT

UNDERMOUNT

CRISTALITE® BASIC LINE

- | | |
|-----------------|---------------|
| ● QUAN100SA GNE | QUAN100SU GNE |
| ● QUAN100SA GON | QUAN100SU GON |
| ● QUAN100SA GAS | QUAN100SU GAS |
| ● QUAN100SA GMC | QUAN100SU GMC |
| ● QUAN100SA GBT | QUAN100SU GBT |
| ● QUAN100SA GCR | QUAN100SU GCR |
| ● QUAN100SA GSA | QUAN100SU GSA |
| ● QUAN100SA GTE | QUAN100SU GTE |
| ● QUAN100SA GMS | QUAN100SU GMS |
| ● QUAN100SA GEV | QUAN100SU GEV |
| ○ QUAN100SA GDW | QUAN100SU GDW |
| ○ QUAN100SA GSW | QUAN100SU GSW |

TOPMOUNT

UNDERMOUNT

CRISTALITE® BASIC LINE

- | | |
|----------------|--------------|
| ● QUAN100A GNE | QUAN100U GNE |
| ● QUAN100A GON | QUAN100U GON |
| ● QUAN100A GAS | QUAN100U GAS |
| ● QUAN100A GMC | QUAN100U GMC |
| ● QUAN100A GBT | QUAN100U GBT |
| ● QUAN100A GCR | QUAN100U GCR |
| ● QUAN100A GSA | QUAN100U GSA |
| ● QUAN100A GTE | QUAN100U GTE |
| ● QUAN100A GMS | QUAN100U GMS |
| ● QUAN100A GEV | QUAN100U GEV |
| ○ QUAN100A GDW | QUAN100U GDW |
| ○ QUAN100A GSW | QUAN100U GSW |



QUADRO N-150

TOPMOUNT/UNDERMOUNT

Cabinet size: **60 cm**

Inner dimension of the bowl:

310 × 370 × 200 mm

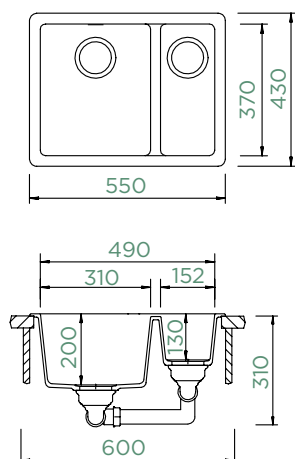
Installation: **fixed**

Cut-out size topmount:

530 × 410 mm

Cut-out size undermount:

490 × 370 mm



Accessories:

Automatic drain kit (629308)

Manual drain kit (629320)

Strainer bowl (629051SH)

Silicone Drain Mat (629188)

Silicone Drain Mat Short (629189)

Corner bowl (629733)

Comfopush, CHR (629891CHR)

Comfopush, EDM (629891EDM)

Wastecap (628152)

TOPMOUNT

UNDERMOUNT

CRISTALITE® BASIC LINE

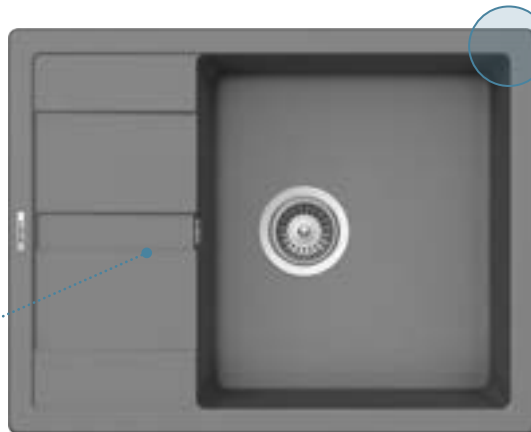
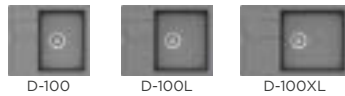
- QUAN150A GNE
- QUAN150A GON
- QUAN150A GAS
- QUAN150A GMC
- QUAN150A GBT
- QUAN150A GCR
- QUAN150A GSA
- QUAN150A GTE
- QUAN150A GMS
- QUAN150A GEV
- QUAN150A GDW
- QUAN150A GSW

- QUAN150U GNE
- QUAN150U GON
- QUAN150U GAS
- QUAN150U GMC
- QUAN150U GBT
- QUAN150U GCR
- QUAN150U GSA
- QUAN150U GTE
- QUAN150U GMS
- QUAN150U GEV
- QUAN150U GDW
- QUAN150U GSW

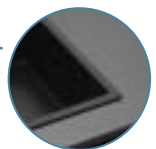


RONDA

Tap model **SC-90** in Onyx on sink model **Ronda D-100XL** in Nero



Extra deep and wide drainer grooves

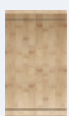


Tight corners

Most space-saving model with draining board

More accessories on p. 216

Wooden chopping board



(629044)

Fibre-Rock chopping board



(629184)

Soap dispenser



Wastecap



Comfopush



Corner dish



(629733)



RONDA D-100

TOPMOUNT/UNDERMOUNT

Cabinet size: **45 cm**

Inner dimension of the bowl:

336 × 436 × 195 mm

Installation: **reversible**

Cut-out size topmount:

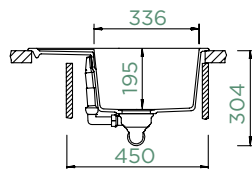
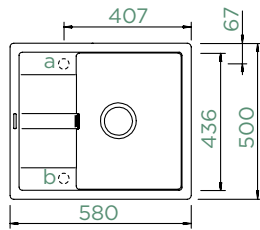
560 × 480 mm

Cut-out size undermount:

564 × 484 mm

Worktop for built-in

dishwasher: **26 mm**



Accessories:

Automatic drain kit (629313)

Manual drain kit (629314)

Chopping board, bamboo (629044)

Chopping board Fibre-Rock (629184)

Corner bowl (629733)

Ladon (629016)

Comfopush, CHR (629891CHR)

Comfopush, EDM (629891EDM)

Wastecap (628152)

TOPMOUNT

UNDERMOUNT

CRISTALITE® BASIC LINE

- ROND100A GNE
- ROND100A GON
- ROND100A INC
- ROND100A GCR
- ROND100A GSA
- ROND100A GMS
- ROND100A GDW

- ROND100U GNE
- ROND100U GON
- ROND100U INC
- ROND100U GCR
- ROND100U GSA
- ROND100U GMS
- ROND100U GDW



RONDA D-100L

TOPMOUNT/UNDERMOUNT

Cabinet size: **50 cm**

Inner dimension of the bowl:

386 × 436 × 195 mm

Installation: **reversible**

Cut-out size topmount:

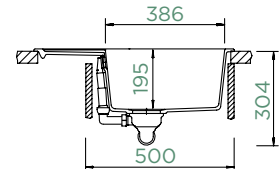
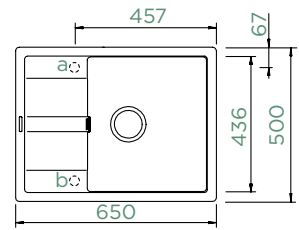
630 × 480 mm

Cut-out size undermount:

634 × 484 mm

Worktop for built-in

dishwasher: **26 mm**



Accessories:

Automatic drain kit (629313)

Manual drain kit (629314)

Chopping board, bamboo (629044)

Chopping board Fibre-Rock (629184)

Corner bowl (629733)

Ladon (629016)

Comfopush, CHR (629891CHR)

Comfopush, EDM (629891EDM)

Wastecap (628152)

TOPMOUNT

UNDERMOUNT

CRISTALITE® BASIC LINE

- ROND100LA GNE
- ROND100LA GON
- ROND100LA GAS
- ROND100LA GMC
- ROND100LA INC
- ROND100LA GBT
- ROND100LA GCR
- ROND100LA GSA
- ROND100LA GTE
- ROND100LA GMS
- ROND100LA GEV
- ROND100LA GDW
- ROND100LA GSW

- ROND100LU GNE
- ROND100LU GON
- ROND100LU GAS
- ROND100LU GMC
- ROND100LU INC
- ROND100LU GBT
- ROND100LU GCR
- ROND100LU GSA
- ROND100LU GTE
- ROND100LU GMS
- ROND100LU GEV
- ROND100LU GDW
- ROND100LU GSW



RONDA D-100XL

TOPMOUNT/UNDERMOUNT

Cabinet size: **60 cm**

Inner dimension of the bowl:

465 × 436 × 195 mm

Installation: **reversible**

Cut-out size topmount:

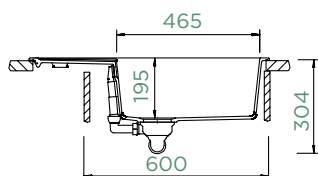
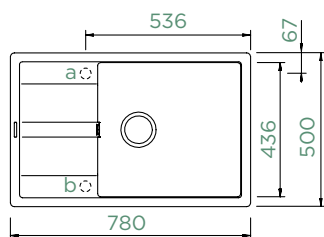
760 × 480 mm

Cut-out size undermount:

764 × 484 mm

Worktop for built-in

dishwasher: **26 mm**



Accessories:

Automatic drain kit (629313)

Manual drain kit (629314)

Chopping board, bamboo (629044)

Chopping board Fibre-Rock (629184)

Corner bowl (629733)

Ladon (629016)

Comfopush, CHR (629891CHR)

Comfopush, EDM (629891EDM)

Wastecap (628152)

TOPMOUNT

UNDERMOUNT

CRISTALITE® BASIC LINE

- ROND100XLA **GNE**
- ROND100XLA **GON**
- ROND100XLA **GAS**
- ROND100XLA **GMC**
- ROND100XLA **INC**
- ROND100XLA **GBT**
- ROND100XLA **GCR**
- ROND100XLA **GSA**
- ROND100XLA **GTE**
- ROND100XLA **GMS**
- ROND100XLA **GEV**
- ROND100XLA **GDW**
- ROND100XLA **GSW**

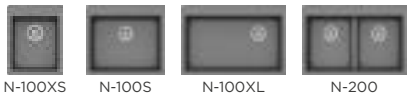
- ROND100XLU **GNE**
- ROND100XLU **GON**
- ROND100XLU **GAS**
- ROND100XLU **GMC**
- ROND100XLU **INC**
- ROND100XLU **GBT**
- ROND100XLU **GCR**
- ROND100XLU **GSA**
- ROND100XLU **GTE**
- ROND100XLU **GMS**
- ROND100XLU **GEV**
- ROND100XLU **GDW**
- ROND100XLU **GSW**



SIGNATURE

Tap model **Sina** in Solid Stainless Steel on sink model **Signature N-100XL** in Nero

Wide choice of designs



Narrower tap ledge
for greater depth of bowl



Tight corners -
modern look



Two installation options
Same base cabinet for inset and
undermount installation

Deep bowl
e.g. for filling tall vases or pots & pans



More accessories on p. 216

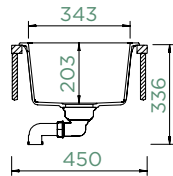
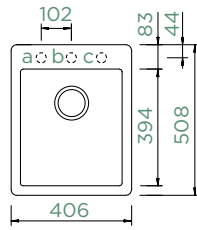


SIGNATURE N-100XS

TOPMOUNT/UNDERMOUNT



Cabinet size: **45 cm**
 Inner dimension of the bowl:
343 × 394 × 203 mm
 Installation: **fixed**
 Cut-out size topmount:
386 × 488 mm
 Cut-out size undermount:
350 × 401 mm

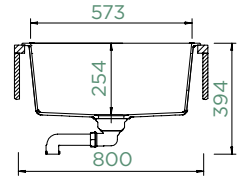
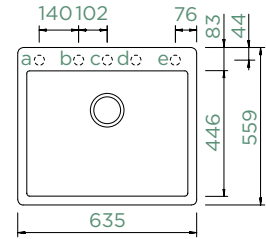


SIGNATURE N-100S

TOPMOUNT/UNDERMOUNT



Cabinet size: **80 cm**
 Inner dimension of the bowl:
573 × 446 × 254 mm
 Installation: **fixed**
 Cut-out size topmount:
615 × 539 mm
 Cut-out size undermount:
578 × 451 mm



TOPMOUNT

UNDERMOUNT

CRISTALITE® BASIC LINE

- SGTN100XSA **GNE**
- SGTN100XSA **GCR**
- SGTN100XSA **GDW**

- SGTN100XSU **GNE**
- SGTN100XSU **GCR**
- SGTN100XSU **GDW**

TOPMOUNT

UNDERMOUNT

CRISTALITE® BASIC LINE

- SGTN100SA **GNE**
- SGTN100SA **GCR**
- SGTN100SA **GDW**

- SGTN100SU **GNE**
- SGTN100SU **GCR**
- SGTN100SU **GDW**

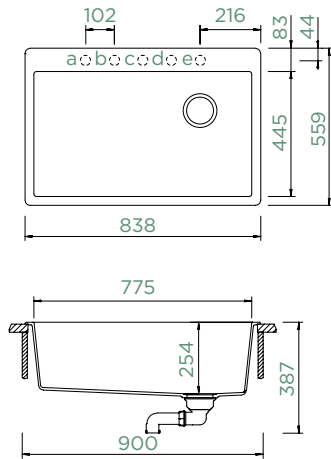


SIGNATURE N-100XL

TOPMOUNT/UNDERMOUNT



Cabinet size: **90 cm**
 Inner dimension of the bowl:
775 × 445 × 254 mm
 Installation: **fixed**
 Cut-out size topmount:
818 × 539 mm
 Cut-out size undermount:
782 × 451 mm

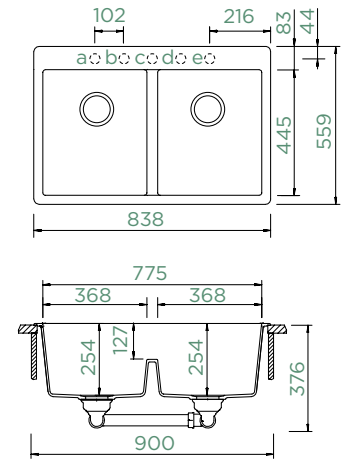


SIGNATURE N-200

TOPMOUNT/UNDERMOUNT



Cabinet size: **90 cm**
 Inner dimension of the bowl:
368 × 445 × 254 mm
 Installation: **fixed**
 Cut-out size topmount:
818 × 539 mm
 Cut-out size undermount:
782 × 451 mm



TOPMOUNT

UNDERMOUNT

CRISTALITE® BASIC LINE

- SGTN100XLA GNE
- SGTN100XLA GCR
- SGTN100XLA GDW

- SGTN100XLU GNE
- SGTN100XLU GCR
- SGTN100XLU GDW

TOPMOUNT

UNDERMOUNT

CRISTALITE® BASIC LINE

- SGTN200A GNE
- SGTN200A GCR
- SGTN200A GDW

- SGTN200U GNE
- SGTN200U GCR
- SGTN200U GDW





TRIBECA

Tap model **Conos** in Solid Stainless Steel on sink model **Tribeca N-100XL** in Alpina

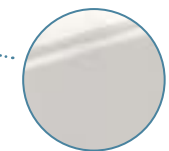


N-100XL



Integrated tap ledge
with additional holes for
ergonomic positioning of tap,
soap dispenser and
pop-up control

Two installation options
Same base cabinet for inset and
undermount installation



Integrated lip
for hanging and
laying multifunctional
accessories

Spacious bowl
with room for large cooking utensils



More accessories on p. 216



TRIBECA N-100XL

TOPMOUNT/UNDERMOUNT



Cabinet size: **90 cm**

Inner dimension of the bowl:

782 × 411 × 254 mm

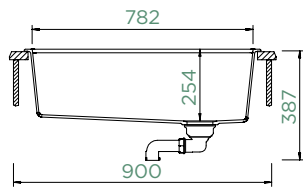
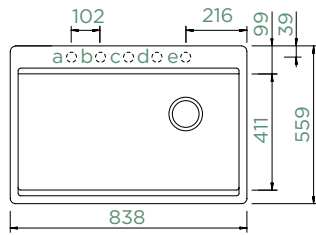
Installation: **fixed**

Cut-out size topmount:

824 × 545 mm

Cut-out size undermount:

789 × 459 mm



TOPMOUNT

UNDERMOUNT

CRISTALITE® BASIC LINE

- TRBN100XLA **GNE**
- TRBN100XLA **GCR**
- TRBN100XLA **GDW**

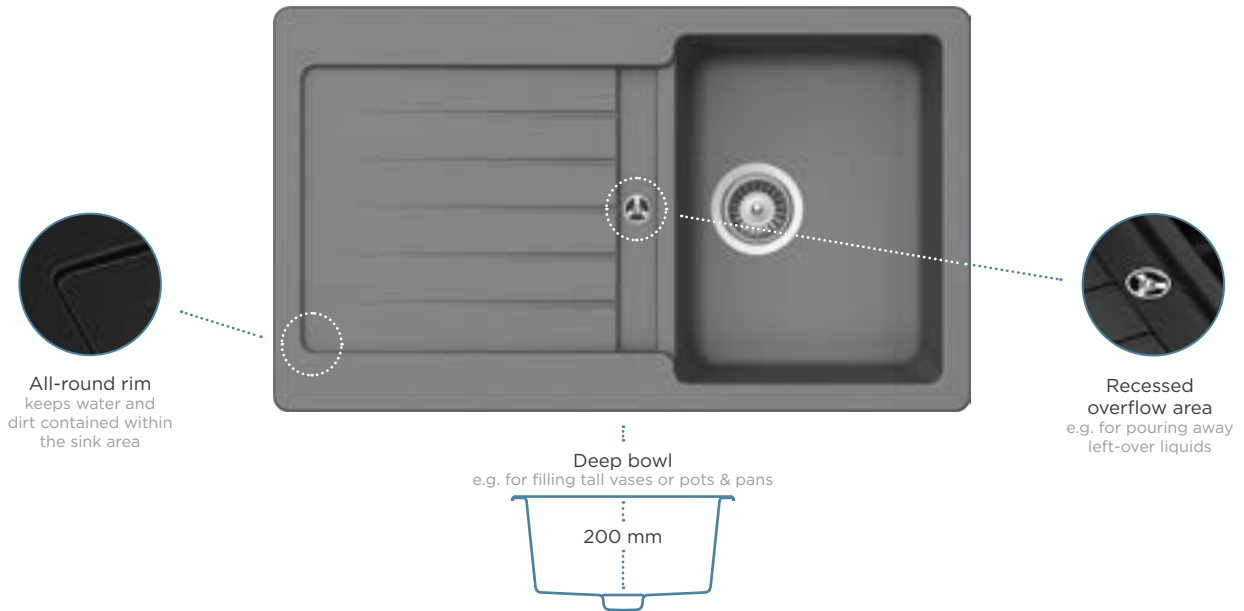
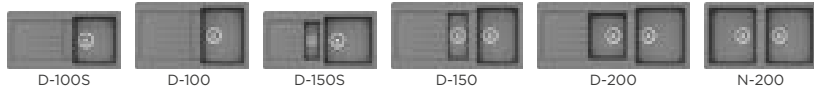
- TRBN100XLU **GNE**
- TRBN100XLU **GCR**
- TRBN100XLU **GDW**



TYPOS

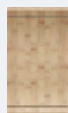
Tap model **Metis** in Chrome on sink model **Typos D-100S** in Nero

Wide choice of designs



More accessories on p. 216

Wooden/Fibre-Rock chopping board



(629044)



(629184)

Not for D-100S and D-150S

Wastecap



Corner dish



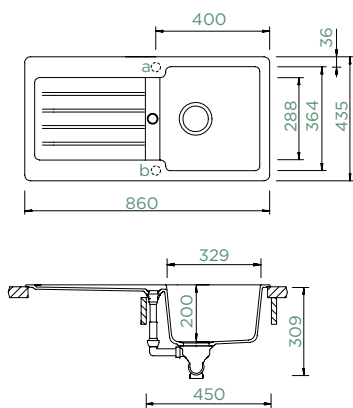
(629733)



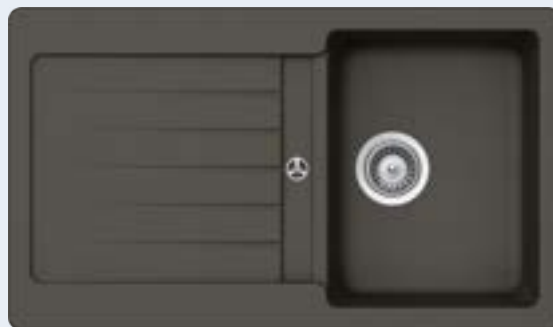
TYPOS D-100S

TOPMOUNT/UNDERMOUNT

Cabinet size: **45 cm**
 Inner dimension of the bowl:
329 × 364 × 200 mm
 Installation: **reversible**
 Cut-out size topmount:
840 × 415 mm
 Cut-out size undermount:
846 × 421 mm
 Worktop for built-in
 dishwasher: **26 mm**



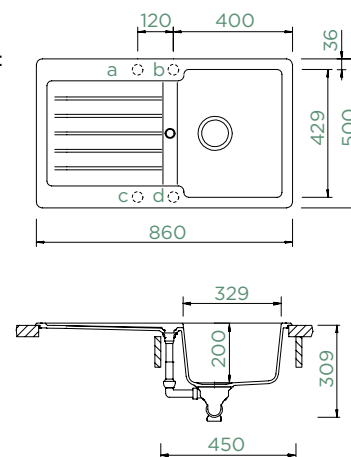
Accessories:
 Automatic drain kit (629873)
 Manual drain kit (629872)
 Corner bowl (629733)
 Wastecap (628152)



TYPOS D-100

TOPMOUNT/UNDERMOUNT

Cabinet size: **45 cm**
 Inner dimension of the bowl:
329 × 429 × 200 mm
 Installation: **reversible**
 Cut-out size topmount:
840 × 480 mm
 Cut-out size undermount:
846 × 486 mm
 Worktop for built-in
 dishwasher: **26 mm**



Accessories:
 Automatic drain kit (629873)
 Manual drain kit (629872)
 Chopping board, bamboo (629044)
 Chopping board Fibre-Rock (629184)
 Corner bowl (629733)
 Wire basket (629171)
 Wastecap (628152)

TOPMOUNT

UNDERMOUNT

CRISTALITE® BASIC LINE

- | | |
|-----------------|---------------|
| ● TYPD100SA GNE | TYPD100SU GNE |
| ● TYPD100SA GON | TYPD100SU GON |
| ● TYPD100SA GAS | TYPD100SU GAS |
| ● TYPD100SA GMC | TYPD100SU GMC |
| ● TYPD100SA GBT | TYPD100SU GBT |
| ● TYPD100SA GCR | TYPD100SU GCR |
| ● TYPD100SA GSA | TYPD100SU GSA |
| ● TYPD100SA GTE | TYPD100SU GTE |
| ● TYPD100SA GMS | TYPD100SU GMS |
| ● TYPD100SA GEV | TYPD100SU GEV |
| ○ TYPD100SA GDW | TYPD100SU GDW |
| ○ TYPD100SA GSW | TYPD100SU GSW |

TOPMOUNT

UNDERMOUNT

CRISTALITE® BASIC LINE

- | | |
|----------------|--------------|
| ● TYPD100A GNE | TYPD100U GNE |
| ● TYPD100A GON | TYPD100U GON |
| ● TYPD100A GAS | TYPD100U GAS |
| ● TYPD100A GMC | TYPD100U GMC |
| ● TYPD100A GBT | TYPD100U GBT |
| ● TYPD100A GCR | TYPD100U GCR |
| ● TYPD100A GSA | TYPD100U GSA |
| ● TYPD100A GTE | TYPD100U GTE |
| ● TYPD100A GMS | TYPD100U GMS |
| ● TYPD100A GEV | TYPD100U GEV |
| ○ TYPD100A GDW | TYPD100U GDW |
| ○ TYPD100A GSW | TYPD100U GSW |



TYPOS D-100L

TOPMOUNT/UNDERMOUNT

Cabinet size: **60 cm**

Inner dimension of the bowl:

478 × 430 × 200 mm

Installation: **reversible**

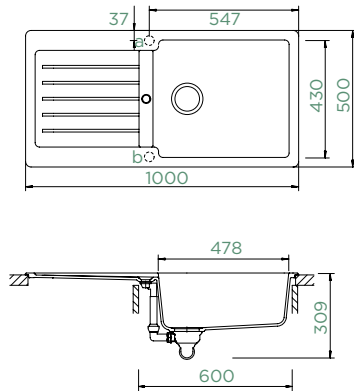
Cut-out size topmount:

980 × 480 mm

Cut-out size undermount:

986 × 486 mm

Worktop for built-in
dishwasher: **25 mm**



Accessories:

Automatic drain kit (629873)

Manual drain kit (629872)

Chopping board, bamboo (629044)

Chopping board Fibre-Rock (629184)

Corner bowl (629733)

Wire basket (629171)

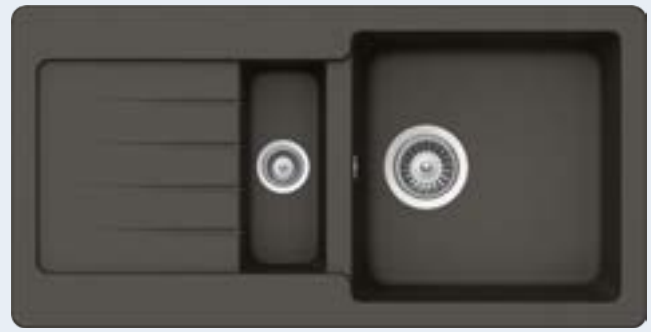
Wastecap (628152)

TOPMOUNT

UNDERMOUNT

CRISTALITE® BASIC LINE

● TYPD100LA GNE	TYPD100LU GNE
● TYPD100LA GON	TYPD100LU GON
● TYPD100LA GAS	TYPD100LU GAS
● TYPD100LA GMC	TYPD100LU GMC
● TYPD100LA GBT	TYPD100LU GBT
● TYPD100LA GCR	TYPD100LU GCR
● TYPD100LA GSA	TYPD100LU GSA
● TYPD100LA GTE	TYPD100LU GTE
● TYPD100LA GMS	TYPD100LU GMS
● TYPD100LA GEV	TYPD100LU GEV
○ TYPD100LA GDW	TYPD100LU GDW
○ TYPD100LA GSW	TYPD100LU GSW



TYPOS D-150S

TOPMOUNT/UNDERMOUNT

Cabinet size: **60 cm**

Inner dimension of the bowl:

363 × 364 × 200 mm

Installation: **reversible**

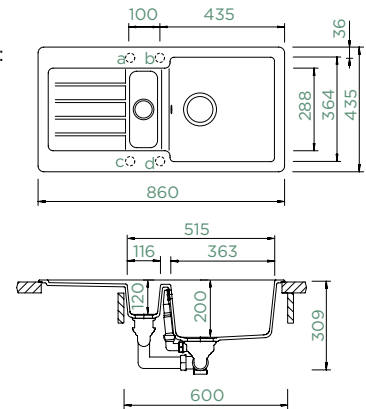
Cut-out size topmount:

840 × 415 mm

Cut-out size undermount:

846 × 421 mm

Worktop for built-in
dishwasher: **21 mm**



Accessories:

Automatic drain kit (629881)

Manual drain kit (629880)

Corner bowl (629733)

Wastecap (628152)

TOPMOUNT

UNDERMOUNT

CRISTALITE® BASIC LINE

● TYPD150SA GNE	TYPD150SU GNE
● TYPD150SA GON	TYPD150SU GON
● TYPD150SA GAS	TYPD150SU GAS
● TYPD150SA GMC	TYPD150SU GMC
● TYPD150SA GBT	TYPD150SU GBT
● TYPD150SA GCR	TYPD150SU GCR
● TYPD150SA GSA	TYPD150SU GSA
● TYPD150SA GTE	TYPD150SU GTE
● TYPD150SA GMS	TYPD150SU GMS
● TYPD150SA GEV	TYPD150SU GEV
○ TYPD150SA GDW	TYPD150SU GDW
○ TYPD150SA GSW	TYPD150SU GSW



TYPOS D-150

TOPMOUNT/UNDERMOUNT

Cabinet size: **60 cm**

Inner dimension of the bowl:

312 × 429 × 200 mm

Installation: **reversible**

Cut-out size topmount:

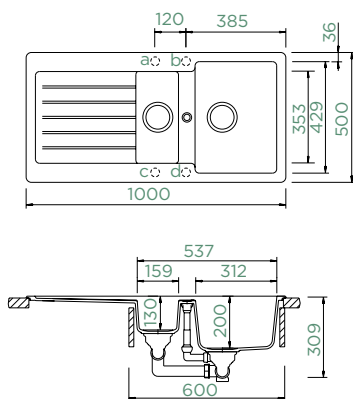
980 × 480 mm

Cut-out size undermount:

986 × 486 mm

Worktop for built-in

dishwasher: **22 mm**



Accessories:

Automatic drain kit (629879)

Manual drain kit (629878)

Chopping board, bamboo (629044)

Chopping board Fibre-Rock (629184)

Strainer bowl (629043)

Corner bowl (629733)

Wastecap (628152)

TOPMOUNT

UNDERMOUNT

CRISTALITE® BASIC LINE

- | | |
|----------------|--------------|
| ● TYPD150A GNE | TYPD150U GNE |
| ● TYPD150A GON | TYPD150U GON |
| ● TYPD150A GAS | TYPD150U GAS |
| ● TYPD150A GMC | TYPD150U GMC |
| ● TYPD150A GBT | TYPD150U GBT |
| ● TYPD150A GCR | TYPD150U GCR |
| ● TYPD150A GSA | TYPD150U GSA |
| ● TYPD150A GTE | TYPD150U GTE |
| ● TYPD150A GMS | TYPD150U GMS |
| ● TYPD150A GEV | TYPD150U GEV |
| ○ TYPD150A GDW | TYPD150U GDW |
| ○ TYPD150A GSW | TYPD150U GSW |



TYPOS D-200

TOPMOUNT/UNDERMOUNT

Cabinet size: **80 cm**

Inner dimension of the bowl:

377 × 429 × 200 mm

Installation: **reversible**

Cut-out size topmount:

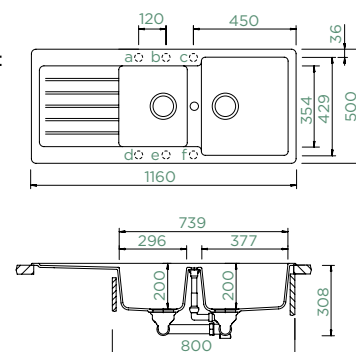
1140 × 480 mm

Cut-out size undermount:

1146 × 486 mm

Worktop for built-in

dishwasher: **22 mm**



Accessories:

Automatic drain kit (629879)

Manual drain kit (629878)

Chopping board, bamboo (629044)

Chopping board Fibre-Rock (629184)

Corner bowl (629733)

Wire basket (629171)

Wastecap (628152)

TOPMOUNT

UNDERMOUNT

CRISTALITE® BASIC LINE

- | | |
|----------------|--------------|
| ● TYPD200A GNE | TYPD200U GNE |
| ● TYPD200A GON | TYPD200U GON |
| ● TYPD200A GAS | TYPD200U GAS |
| ● TYPD200A GMC | TYPD200U GMC |
| ● TYPD200A GBT | TYPD200U GBT |
| ● TYPD200A GCR | TYPD200U GCR |
| ● TYPD200A GSA | TYPD200U GSA |
| ● TYPD200A GTE | TYPD200U GTE |
| ● TYPD200A GMS | TYPD200U GMS |
| ● TYPD200A GEV | TYPD200U GEV |
| ○ TYPD200A GDW | TYPD200U GDW |
| ○ TYPD200A GSW | TYPD200U GSW |



TYPOS N-200

TOPMOUNT/UNDERMOUNT

Cabinet size: **90 cm**

Inner dimension of the bowl:

360 × 430 × 200 mm

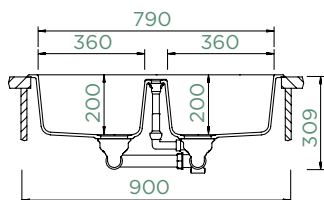
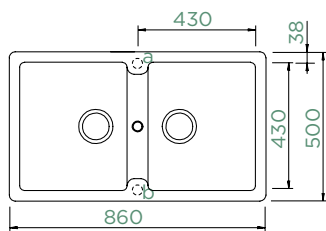
Installation: **reversible**

Cut-out size topmount:

840 × 480 mm

Cut-out size undermount:

846 × 486 mm



Accessories:

Automatic drain kit (629879)

Manual drain kit (629878)

Chopping board, bamboo (629044)

Chopping board Fibre-Rock (629184)

Corner bowl (629733)

Wire basket (629171)

Wastecap (628152)

TOPMOUNT

UNDERMOUNT

CRISTALITE® BASIC LINE

- TYPN200A GNE
- TYPN200A GON
- TYPN200A GBT
- TYPN200A GCR
- TYPN200A GSA
- TYPN200A GTE
- TYPN200A GMS
- TYPN200A GDW

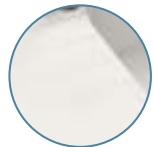
- TYPN200U GNE
- TYPN200U GON
- TYPN200U GBT
- TYPN200U GCR
- TYPN200U GSA
- TYPN200U GTE
- TYPN200U GMS
- TYPN200U GDW



VIOLA

Tap model **Maia** in Chrome on sink model **Viola D-100S** in Alpina

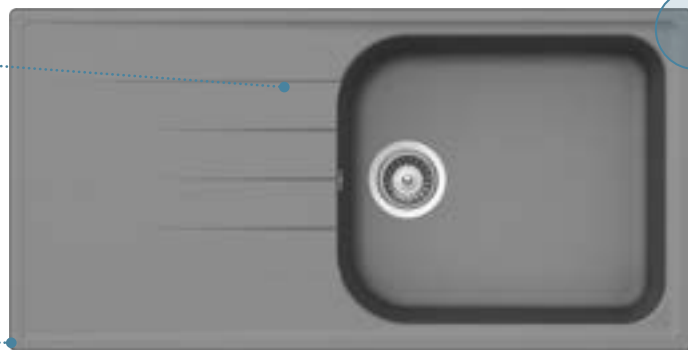
Wide choice of designs



Clean lines with integrated drainer grooves



All-round rim keeps water and dirt contained within the sink area



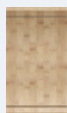
Smooth contours and smooth corners that are even easier to clean

Deep bowl
e.g. for filling tall vases or pots & pans



More accessories on p. 216

Wooden chopping board



(629044)

Fibre-Rock chopping board



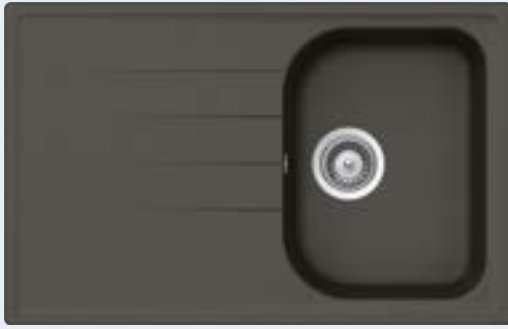
(629184)

Wastecap



Comfopush





VIOLA D-100S

TOPMOUNT/UNDERMOUNT

Cabinet size: **40 cm**

Inner dimension of the bowl:

318 × 422 × 205 mm

Installation: **reversible**

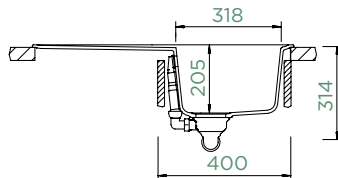
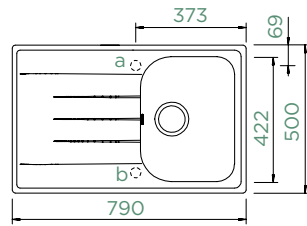
Cut-out size topmount:

770 × 480 mm

Cut-out size undermount:

775 × 485 mm

Worktop for built-in
dishwasher: **21 mm**



Accessories:

Automatic drain kit (629871)

Manual drain kit (629870)

Chopping board, bamboo (629044)

Chopping board Fibre-Rock (629184)

Wastecap (628152)



VIOLA D-100

TOPMOUNT/UNDERMOUNT

Cabinet size: **45 cm**

Inner dimension of the bowl:

348 × 422 × 204 mm

Installation: **reversible**

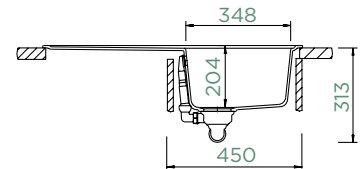
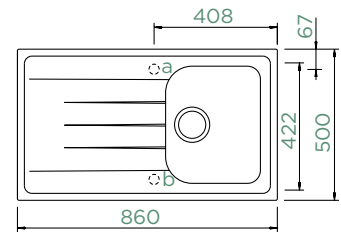
Cut-out size topmount:

840 × 480 mm

Cut-out size undermount:

845 × 481 mm

Worktop for built-in
dishwasher: **27 mm**



Accessories:

Automatic drain kit (629871)

Manual drain kit (629870)

Chopping board, bamboo (629044)

Chopping board Fibre-Rock (629184)

Wastecap (628152)

TOPMOUNT

UNDERMOUNT

CRISTALITE® BASIC LINE

● VIOD100SA GNE	VIOD100SU GNE
● VIOD100SA GON	VIOD100SU GON
● VIOD100SA GAS	VIOD100SU GAS
● VIOD100SA GMC	VIOD100SU GMC
● VIOD100SA GBT	VIOD100SU GBT
● VIOD100SA GCR	VIOD100SU GCR
● VIOD100SA GSA	VIOD100SU GSA
● VIOD100SA GTE	VIOD100SU GTE
● VIOD100SA GMS	VIOD100SU GMS
● VIOD100SA GEV	VIOD100SU GEV
○ VIOD100SA GDW	VIOD100SU GDW
○ VIOD100SA GSW	VIOD100SU GSW

TOPMOUNT

UNDERMOUNT

CRISTALITE® BASIC LINE

● VIOD100A GNE	VIOD100U GNE
● VIOD100A GON	VIOD100U GON
● VIOD100A GAS	VIOD100U GAS
● VIOD100A GMC	VIOD100U GMC
● VIOD100A GBT	VIOD100U GBT
● VIOD100A GCR	VIOD100U GCR
● VIOD100A GSA	VIOD100U GSA
● VIOD100A GTE	VIOD100U GTE
● VIOD100A GMS	VIOD100U GMS
● VIOD100A GEV	VIOD100U GEV
○ VIOD100A GDW	VIOD100U GDW
○ VIOD100A GSW	VIOD100U GSW



VIOLA D-100L

TOPMOUNT/UNDERMOUNT

Cabinet size: **60 cm**

Inner dimension of the bowl:

482 × 422 × 220 mm

Installation: **reversible**

Cut-out size topmount:

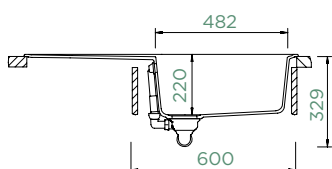
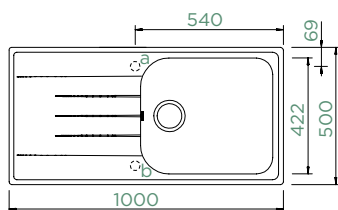
980 × 480 mm

Cut-out size undermount:

985 × 481 mm

Worktop for built-in

dishwasher: **21 mm**



Accessories:

Automatic drain kit (629871)

Manual drain kit (629870)

Chopping board, bamboo (629044)

Chopping board Fibre-Rock (629184)

Wastecap (628152)



VIOLA D-150

TOPMOUNT/UNDERMOUNT

Cabinet size: **60 cm**

Inner dimension of the bowl:

341 × 422 × 204 mm

Installation: **reversible**

Cut-out size topmount:

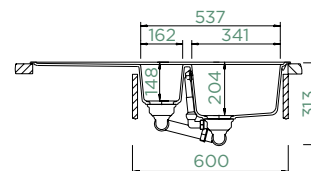
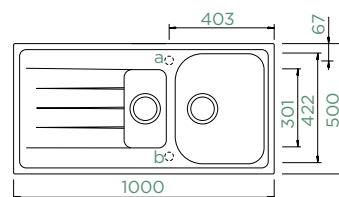
980 × 480 mm

Cut-out size undermount:

985 × 481 mm

Worktop for built-in

dishwasher: **27 mm**



Accessories:

Automatic drain kit (629875)

Manual drain kit (629874)

Chopping board, bamboo (629044)

Chopping board Fibre-Rock (629184)

Wastecap (628152)

TOPMOUNT

UNDERMOUNT

CRISTALITE® BASIC LINE

- VIOD100LA GNE
- VIOD100LA GON
- VIOD100LA GAS
- VIOD100LA GMC
- VIOD100LA GBT
- VIOD100LA GCR
- VIOD100LA GSA
- VIOD100LA GTE
- VIOD100LA GMS
- VIOD100LA GEV
- VIOD100LA GDW
- VIOD100LA GSW

- VIOD100LU GNE
- VIOD100LU GON
- VIOD100LU GAS
- VIOD100LU GMC
- VIOD100LU GBT
- VIOD100LU GCR
- VIOD100LU GSA
- VIOD100LU GTE
- VIOD100LU GMS
- VIOD100LU GEV
- VIOD100LU GDW
- VIOD100LU GSW

TOPMOUNT

UNDERMOUNT

CRISTALITE® BASIC LINE

- VIOD150A GNE
- VIOD150A GON
- VIOD150A GAS
- VIOD150A GMC
- VIOD150A GBT
- VIOD150A GCR
- VIOD150A GSA
- VIOD150A GTE
- VIOD150A GMS
- VIOD150A GEV
- VIOD150A GDW
- VIOD150A GSW

- VIOD150U GNE
- VIOD150U GON
- VIOD150U GAS
- VIOD150U GMC
- VIOD150U GBT
- VIOD150U GCR
- VIOD150U GSA
- VIOD150U GTE
- VIOD150U GMS
- VIOD150U GEV
- VIOD150U GDW
- VIOD150U GSW



VIOLA D-200

TOPMOUNT/UNDERMOUNT

Cabinet size: **80 cm**

Inner dimension of the bowl:

341 × 422 × 204 mm

Installation: **reversible**

Cut-out size topmount:

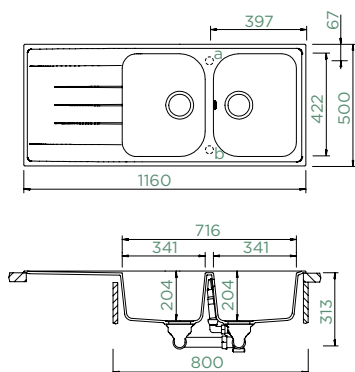
1140 × 480 mm

Cut-out size undermount:

1145 × 481 mm

Worktop for built-in

dishwasher: **27 mm**



Accessories:

Automatic drain kit (629875)

Manual drain kit (629874)

Chopping board, bamboo (629044)

Chopping board Fibre-Rock (629184)

Wastecap (628152)



VIOLA N-200S

TOPMOUNT/UNDERMOUNT

Cabinet size: **80 cm**

Inner dimension of the bowl:

338 × 421 × 205 mm

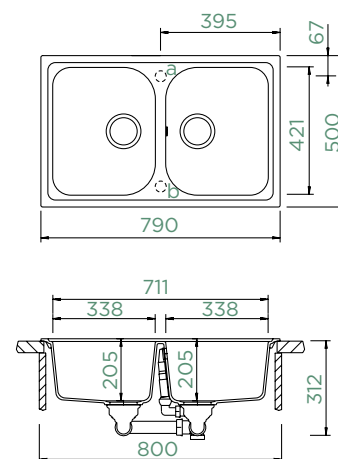
Installation: **reversible**

Cut-out size topmount:

770 × 480 mm

Cut-out size undermount:

775 × 485 mm



Accessories:

Automatic drain kit (629875)

Manual drain kit (629874)

Chopping board, bamboo (629044)

Chopping board Fibre-Rock (629184)

Wastecap (628152)

TOPMOUNT

UNDERMOUNT

CRISTALITE® BASIC LINE

● VIOD200A GNE	VIOD200U GNE
● VIOD200A GON	VIOD200U GON
● VIOD200A GAS	VIOD200U GAS
● VIOD200A GMC	VIOD200U GMC
● VIOD200A GBT	VIOD200U GBT
● VIOD200A GCR	VIOD200U GCR
● VIOD200A GSA	VIOD200U GSA
● VIOD200A GTE	VIOD200U GTE
● VIOD200A GMS	VIOD200U GMS
● VIOD200A GEV	VIOD200U GEV
○ VIOD200A GDW	VIOD200U GDW
○ VIOD200A GSW	VIOD200U GSW

TOPMOUNT

UNDERMOUNT

CRISTALITE® BASIC LINE

● VION200SA GNE	VION200SU GNE
● VION200SA GON	VION200SU GON
● VION200SA GAS	VION200SU GAS
● VION200SA GMC	VION200SU GMC
● VION200SA GBT	VION200SU GBT
● VION200SA GCR	VION200SU GCR
● VION200SA GSA	VION200SU GSA
● VION200SA GTE	VION200SU GTE
● VION200SA GMS	VION200SU GMS
● VION200SA GEV	VION200SU GEV
○ VION200SA GDW	VION200SU GDW
○ VION200SA GSW	VION200SU GSW



VIOLA N-200

TOPMOUNT/UNDERMOUNT

Cabinet size: **90 cm**

Inner dimension of the bowl:

373 × 421 × 205 mm

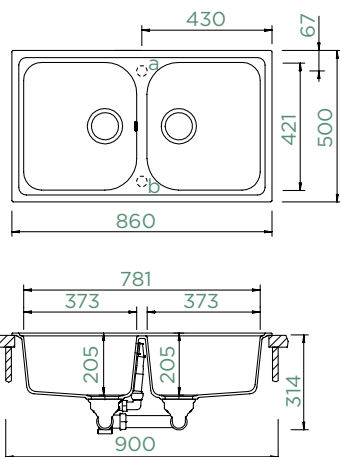
Installation: **reversible**

Cut-out size topmount:

840 × 480 mm

Cut-out size undermount:

845 × 485 mm



Accessories:

Automatic drain kit (629875)

Manual drain kit (629874)

Chopping board, bamboo (629044)

Chopping board Fibre-Rock (629184)

Wastecap (628152)

TOPMOUNT

UNDERMOUNT

CRISTALITE® BASIC LINE

- VION200A GNE
- VION200A GON
- VION200A GAS
- VION200A GMC
- VION200A GBT
- VION200A GCR
- VION200A GSA
- VION200A GTE
- VION200A GMS
- VION200A GEV
- VION200A GDW
- VION200A GSW

- VION200U GNE
- VION200U GON
- VION200U GAS
- VION200U GMC
- VION200U GBT
- VION200U GCR
- VION200U GSA
- VION200U GTE
- VION200U GMS
- VION200U GEV
- VION200U GDW
- VION200U GSW



VIRTUS

Tap model **Altos** in Solid Stainless Steel on sink model **Virtus N-100** in Concrete

Wide choice of designs



N-100XS, N-100S, N-100XL
Integrated tap ledge
with additional holes for
ergonomic positioning of tap,
soap dispenser and
pop-up control



Tight corners -
modern look



Two installation options
Same base cabinet for inset and
undermount installation

Deep bowl
e.g. for filling tall vases or pots & pans



More accessories on p. 216

**Silicone drain
mat**



Wastecap



**Corner
dish**



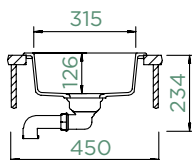
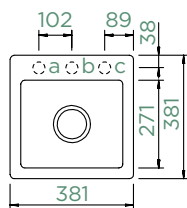


VIRTUS N-100XS

TOPMOUNT/UNDERMOUNT

NEW

Cabinet size: **45 cm**
 Inner dimension of the bowl:
315 × 271 × 126 mm
 Installation: **fixed**
 Cut-out size topmount:
367 × 367 mm
 Cut-out size undermount:
324 × 280 mm



Accessories:
 Automatic drain kit (629324)
 Manual drain kit (629323)
 Corner bowl (629733)
 Wastecap (628152)

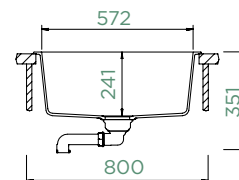
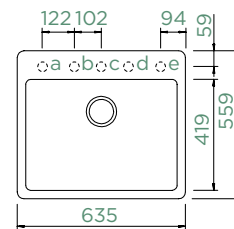


VIRTUS N-100S

TOPMOUNT/UNDERMOUNT

NEW

Cabinet size: **80 cm**
 Inner dimension of the bowl:
572 × 419 × 241 mm
 Installation: **fixed**
 Cut-out size topmount:
615 × 539 mm
 Cut-out size undermount:
578 × 426 mm



Accessories:
 Automatic drain kit (629324)
 Manual drain kit (629323)
 Corner bowl (629733)
 Wastecap (628152)

TOPMOUNT

UNDERMOUNT

CRISTALITE® BASIC LINE

- | | |
|-----------------|---------------|
| ● VITN100SA GNE | VITN100SU GNE |
| ● VITN100SA GON | VITN100SU GON |
| ● VITN100SA GIN | VITN100SU GIN |
| ● VITN100SA GAS | VITN100SU GAS |
| ● VITN100SA GMC | VITN100SU GMC |
| ● VITN100SA GBT | VITN100SU GBT |
| ● VITN100SA GCR | VITN100SU GCR |
| ● VITN100SA GSA | VITN100SU GSA |
| ● VITN100SA GTE | VITN100SU GTE |
| ● VITN100SA GMS | VITN100SU GMS |
| ● VITN100SA GEV | VITN100SU GEV |
| ○ VITN100SA GDW | VITN100SU GDW |
| ○ VITN100SA GSW | VITN100SU GSW |

TOPMOUNT

UNDERMOUNT

CRISTALITE® BASIC LINE

- | | |
|-----------------|---------------|
| ● VITN100SA GNE | VITN100SU GNE |
| ● VITN100SA GON | VITN100SU GON |
| ● VITN100SA GIN | VITN100SU GIN |
| ● VITN100SA GAS | VITN100SU GAS |
| ● VITN100SA GMC | VITN100SU GMC |
| ● VITN100SA GBT | VITN100SU GBT |
| ● VITN100SA GCR | VITN100SU GCR |
| ● VITN100SA GSA | VITN100SU GSA |
| ● VITN100SA GTE | VITN100SU GTE |
| ● VITN100SA GMS | VITN100SU GMS |
| ● VITN100SA GEV | VITN100SU GEV |
| ○ VITN100SA GDW | VITN100SU GDW |
| ○ VITN100SA GSW | VITN100SU GSW |

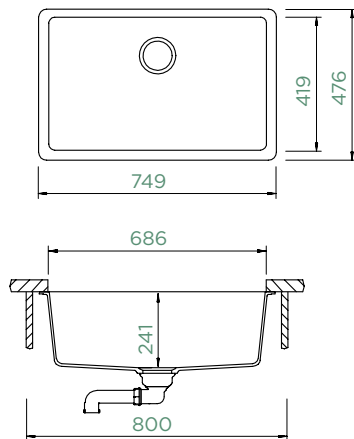


VIRTUS N-100

UNDERMOUNT



Cabinet size: **80 cm**
 Inner dimension of the bowl:
686 × 419 × 241 mm
 Installation: **fixed**
 Cut-out size undermount:
692 × 426 mm



Accessories:
 Automatic drain kit (629324)
 Manual drain kit (629323)
 Corner bowl (629733)
 Wastecap (628152)

UNDERMOUNT

CRISTALITE® BASIC LINE

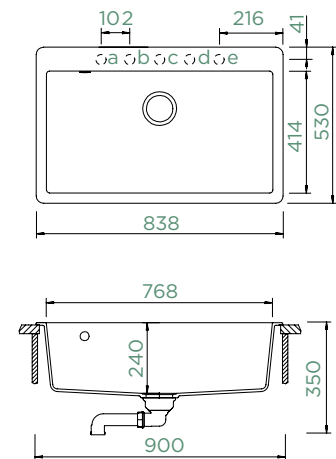
- VITN100U GNE
- VITN100U GON
- VITN100U GIN
- VITN100U GAS
- VITN100U GMC
- VITN100U GBT
- VITN100U GCR
- VITN100U GSA
- VITN100U GTE
- VITN100U GMS
- VITN100U GEV
- VITN100U GDW
- VITN100U GSW



VIRTUS N-100XL

TOPMOUNT/UNDERMOUNT

Cabinet size: **90 cm**
 Inner dimension of the bowl:
768 × 414 × 240 mm
 Installation: **fixed**
 Cut-out size topmount:
818 × 510 mm
 Cut-out size undermount:
782 × 428 mm



Accessories:
 Automatic drain kit (629324)
 Manual drain kit (629323)
 Corner bowl (629733)
 Wastecap (628152)

TOPMOUNT

CRISTALITE® BASIC LINE

- VITN100XLA GNE
- VITN100XLA GON
- VITN100XLA GIN
- VITN100XLA GAS
- VITN100XLA GMC
- VITN100XLA GBT
- VITN100XLA GCR
- VITN100XLA GSA
- VITN100XLA GTE
- VITN100XLA GMS
- VITN100XLA GEV
- VITN100XLA GDW
- VITN100XLA GSW

UNDERMOUNT

- VITN100XLU GNE
- VITN100XLU GON
- VITN100XLU GIN
- VITN100XLU GAS
- VITN100XLU GMC
- VITN100XLU GBT
- VITN100XLU GCR
- VITN100XLU GSA
- VITN100XLU GTE
- VITN100XLU GMS
- VITN100XLU GEV
- VITN100XLU GDW
- VITN100XLU GSW



VIRTUS N-100XLY

UNDERMOUNT

Cabinet size: **90 cm**

Inner dimension of the bowl:

768 × 414 × 240 mm

Installation: **fixed**

Cut-out size undermount:

782 × 428 mm

Accessories:

Automatic drain kit (629324)

Manual drain kit (629323)

Corner bowl (629733)

Wastecap (628152)

UNDERMOUNT

CRISTALITE® BASIC LINE

- VITN100XLYU GNE
- VITN100XLYU GON
- VITN100XLYU GIN
- VITN100XLYU GAS
- VITN100XLYU GMC
- VITN100XLYU GBT
- VITN100XLYU GCR
- VITN100XLYU GSA
- VITN100XLYU GTE
- VITN100XLYU GMS
- VITN100XLYU GEV
- VITN100XLYU GDW
- VITN100XLYU GSW



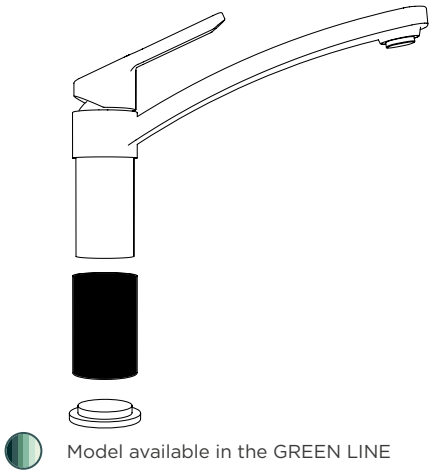


SCHOCK
Mixer Taps

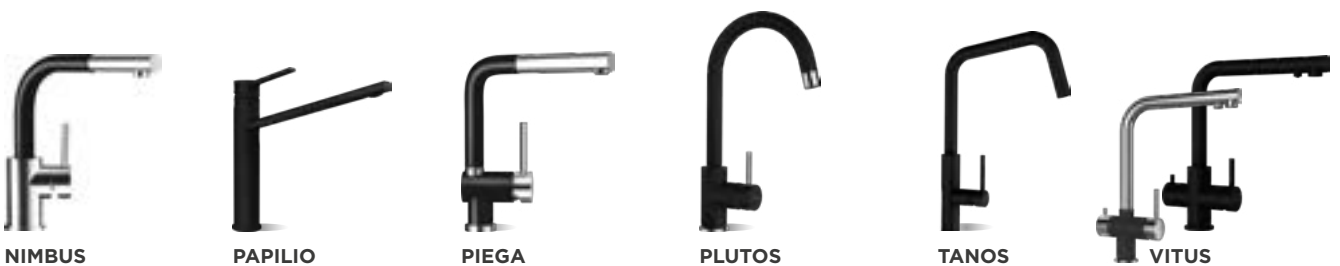


Coloured Mixer Taps

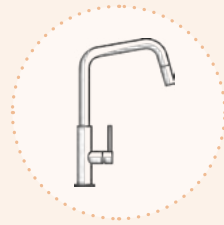
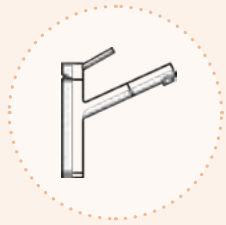
SLEEVE TECHNOLOGY



COLOUR COATED



CHROME MIXER TAPS



COSMO
p. 179

CT
CHR



PAPILIO
p. 197

CD
CHR



GOTA
p. 186

SW
CD
CHR



FONOS
p. 185

UPDATE
CT
CHR



DAJA
p. 180

CT
CHR



SC-90
p. 201

UPDATE
CD
CT
CHR



HEKATE
p. 187

SW
CHR



SC-530
p. 205

UPDATE
CD
CT
CHR



DION
p. 181

UPDATE
CD
CHR
GUM
COP
WGO



SC-510
p. 202

UPDATE
CD
CT
CHR



PLUTOS
p. 199

UPDATE
CD
CT
CHR



TANOS
p. 208

UPDATE
S
EDO



METIS
p. 195

EDO
CHR



SC-510 LP
p. 203

UPDATE
CD
CT
CHR



SC-520
p. 204

UPDATE
CD
CT
CHR

CHR
Chrome

EDO
Stainless steel look

EDM
Solid stainless steel

WGO
White Gold

COP
Copper

GUM
Gunmetal

SW
Black or white

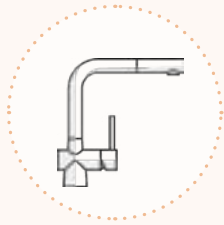
PUR
Puro

CT
CRISTALITE®

CD
CRISTADUR®

CD
Green Line

CHROME MIXER TAPS



EPOS
p. 182

UPDATE

⚡

CT CD

CHR

KARPO
p. 188

CHR

NIMBUS
p. 196

UPDATE

CD

CHR

SC-550
p. 207

UPDATE

CD CT CD

PIEGA
p. 198

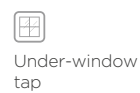
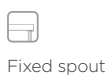
CD

CHR

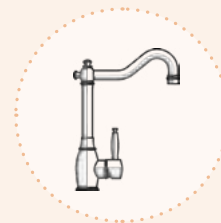
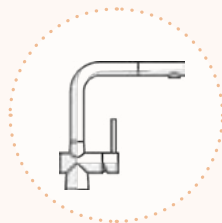
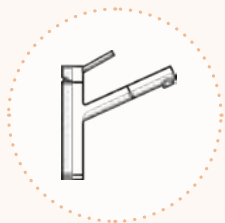
SC-540
p. 206

UPDATE

CD CT CD



STAINLESS STEEL MIXER TAPS



ALTOS
p. 174



PUR EDM



ARES
p. 177



CT CD EDM



KETO
p. 192



PUR EDM GUM COP WGO



RESI
p. 200



EDM WGO



ALTOS S
p. 175



PUR EDM



CONOS
p. 178



EDM



LAIOS
p. 193



CD EDM GUM COP WGO



ALTOS W
p. 176



EDM



CONOS PRO
p. 177



EDM



LAIOS W
p. 194



EDM



SINA
p. 207



EDM



EVINAS
p. 184



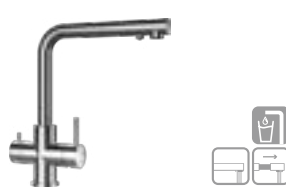
EDM



KAVUS
p. 191



CD CT EDM GUM COP WGO



VITUS
p. 210



CD CT PUR EDM

CHR

Chrome

EDO

Stainless steel look

EDM

Solid stainless steel

WGO

White Gold

COP

Copper

GUM

Gunmetal

SW

Black or white

PUR

Puro

CT

CRISTALITE®

CD

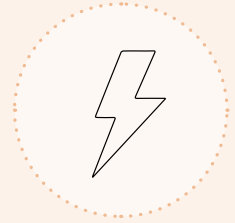
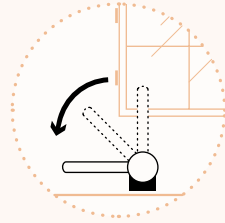
CRISTADUR®

Green Line

SPECIAL FEATURES

SLEEVE TECHNOLOGY

UNDER-WINDOW LOW PRESSURE



UPDATE




SC-90
p. 201

CT CD

UPDATE






SC-530
p. 205





CT CD



ALTOS W
p. 176

EDM

ALTOS LP
p. 174

EDM

UPDATE





SC-510
p. 202

CT CD

UPDATE





SC-540
p. 206

CT CD






LAIOS W
p. 194

EDM

UPDATE






SC-510 LP
p. 203

CT CD

UPDATE






SC-510 LP
p. 203

CT CD





UPDATE





SC-550
p. 207

CT CD

EPOS LP
p. 183

PUR
CHR

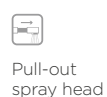
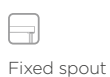
UPDATE





SC-520
p. 204

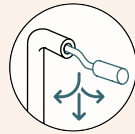
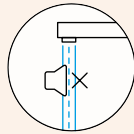
CT CD





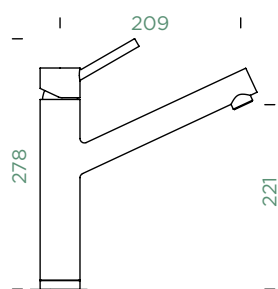
ALTOS

FIXED SPOUT



ALTOS

PULL-OUT

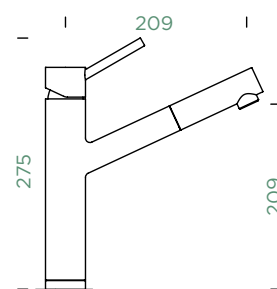


Connecting hose: **800 mm**

Swivel range: **360°**

Lever position: **at the top**

Features: **Ultra-quiet aerator, Colour lacquered**



Connecting hose: **800 mm**

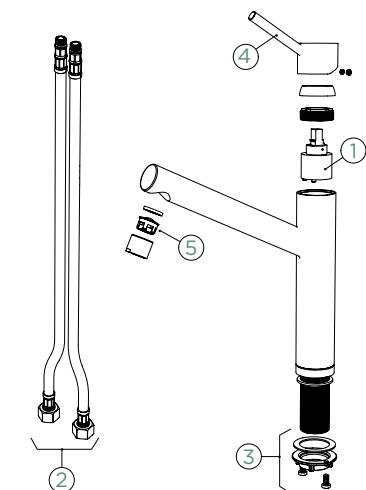
Swivel range: **120°**

Lever position: **at the top**

Usable shower hose length: **700 mm**
Features: **Backflow preventer, Ultra-quiet aerator, Colour lacquered**

	FIXED SPOUT	PULL-OUT
	METALLIC	
	● 529000 EDM	529120 EDM
LP	● 529003 EDM	529123 EDM
	CD CLASSIC LINE	
	● 529000 PUR	529120 PUR

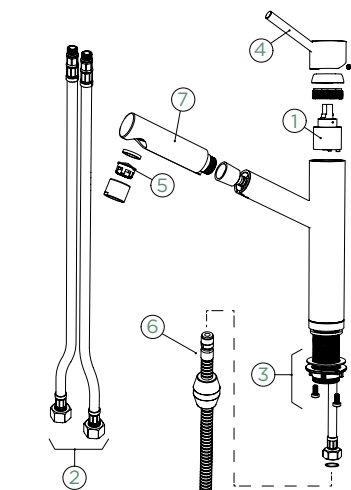
- 1 628740/1
- 2 628740/3
- 3 628740/2
- 4 628740XXX
- 5 628740/5



○ = on stock

Note: The explosion drawing shows high pressure tap (529000...) including the spare parts. For the low pressure tap (529003...) other spare parts are necessary.

- 1 628740/1
- 2 628740/3
- 3 628740/2
- 4 628740XXX
- 5 628740/5
- 6 628740/4
- 7 628741XXX

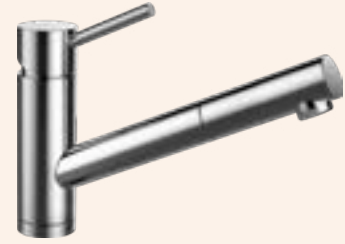
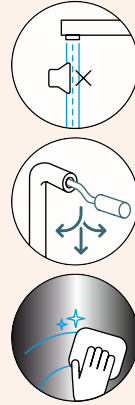
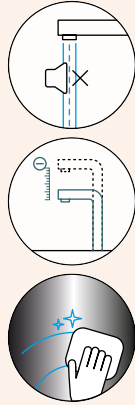


Note: The explosion drawing shows high pressure tap (529120...) including the spare parts. For the low pressure tap (529123...) other spare parts are necessary.



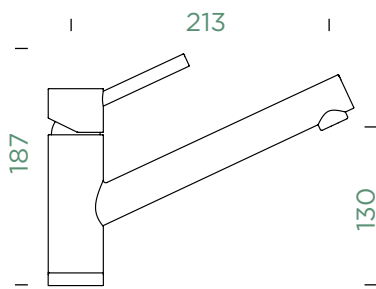
ALTOS S

FIXED SPOUT



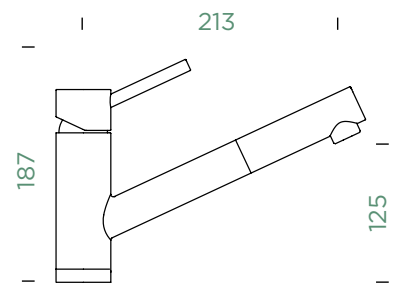
ALTOS S

PULL-OUT



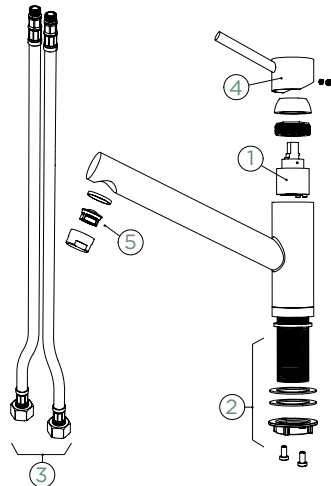
Connecting hose: **800 mm**
 Swivel range: **360°**
 Lever position: **at the top**
 Features: **Ultra-quiet aerator, Colour lacquered**

FIXED SPOUT	PULL-OUT
METALLIC	
530000 EDM	530120 EDM
CD CLASSIC LINE	
530000 PUR	530120 PUR

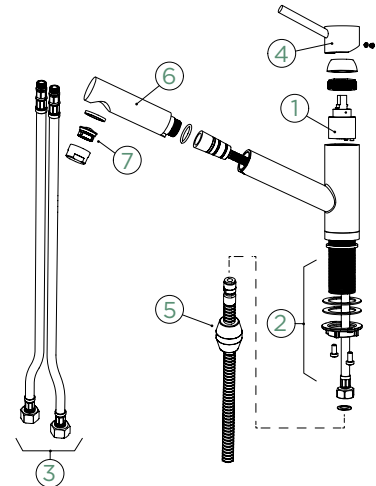


Connecting hose: **800 mm**
 Swivel range: **120°**
 Lever position: **at the top**
 Usable shower hose length: **750 mm**
 Features: **Backflow preventer, Ultra-quiet aerator, Colour lacquered**

- 1 628740/1
- 2 628740/2
- 3 628740/3
- 4 628740XXX
- 5 628740/5



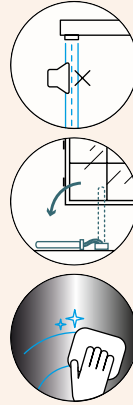
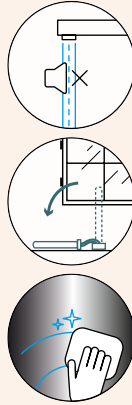
- 1 628740/1
- 2 628740/2
- 3 628740/3
- 4 628740XXX
- 5 628740/4
- 6 628741XXX
- 7 628740/5



○ = on stock

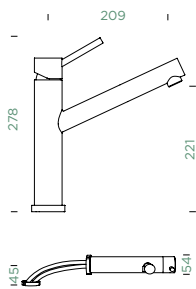


ALTOS W
FIXED SPOUT

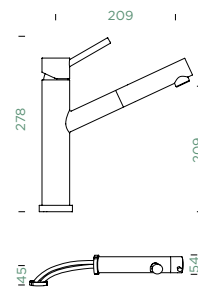


ALTOS W
PULL-OUT

FIXED SPOUT	PULL-OUT
METALLIC	
● 529005 EDM	● 529125 EDM



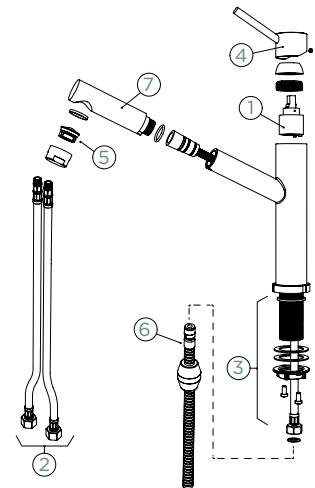
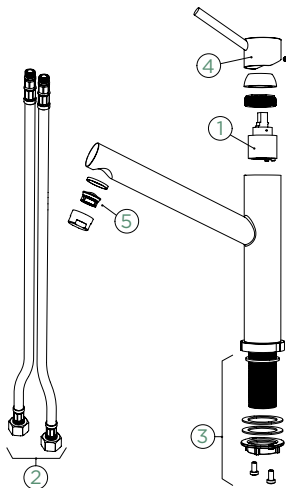
Connecting hose: **800 mm**
Swivel range: **120°**
Lever position: **at the top**
Features: **Window mixer tap, Ultra-quiet aerator**



Connecting hose: **800 mm**
Swivel range: **120°**
Lever position: **at the top**
Usable shower hose length: **700 mm**
Features: **Backflow preventer, Window mixer tap, Ultra-quiet aerator**

- 1 628740/1
- 2 628740/3
- 3 628740/2
- 4 628740EDM
- 5 628740/5

- 1 628740/1
- 2 628740/3
- 3 628740/2
- 4 628740EDM
- 5 628740/5
- 6 628786/4
- 7 628741EDM



○ = on stock

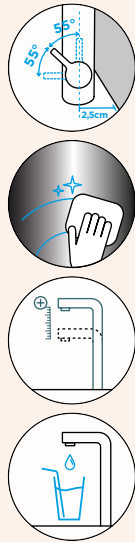
Note: The Altos W can be folded down with the help of a bayonet catch. Depending on the lever position, the height of the mixer tap in the lying position varies between 45 mm and 54 mm.

Note: The Altos W can be folded down with the help of a bayonet catch. Depending on the lever position, the height of the mixer tap in the lying position varies between 45 mm and 54 mm.



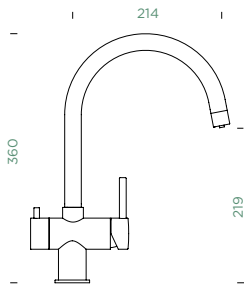
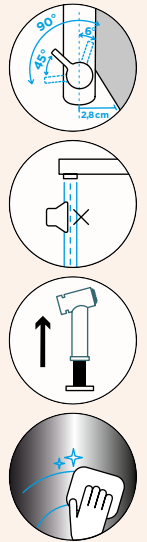
ARES

FIXED SPOUT



CONOS PRO

FIXED SPOUT



Connecting hose: **450 mm**
Swivel range: **360°**
Lever position: **on the right**
Features: **Drinking water function, Colour lacquered**

FIXED SPOUT

METALLIC

- 561000 EDM

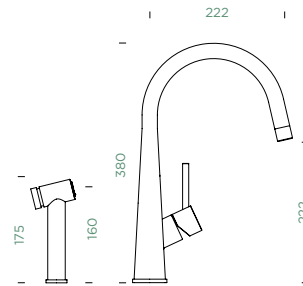
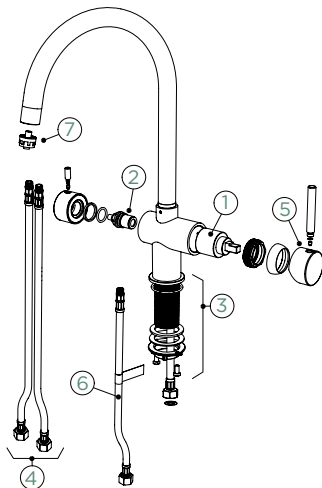
CD CLASSIC LINE

- 561000 PUR
- 561000 MAG
- 561000 CAR
- 561000 STO
- 561000 BRO
- 561000 SIL

CT BASIC LINE

- 561000 GNE
- 561000 GON
- 561000 GAS
- 561000 GMC
- 561000 GBT
- 561000 GCR
- 561000 GSA
- 561000 GMS
- 561000 GEV
- 561000 GDW

- 1 628748/1
- 2 628748/7
- 3 628748/3
- 4 628748/2
- 5 628748/4
- 6 628748/6
- 7 628748/5



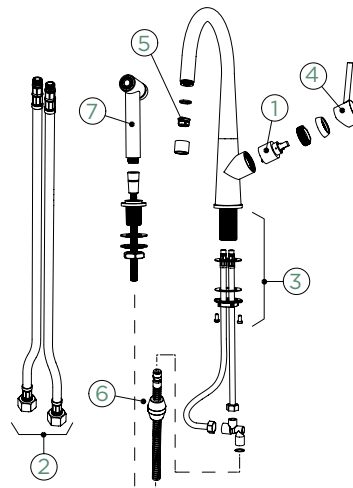
Connecting hose: **800 mm**
Swivel range: **360°**
Lever position: **on the right**
Features: **Backflow preventer, Ultra-quiet aerator, Jet-spray function**

FIXED SPOUT

METALLIC

- 528006 EDM

- 1 628741/1
- 2 628740/3
- 3 628740/2
- 4 628793EDM
- 5 628740/5
- 6 628740/4
- 7 628783/1EDM

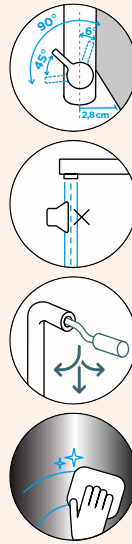
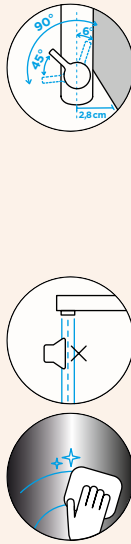


○ = on stock



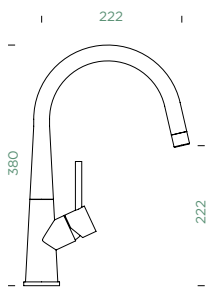
CONOS

FIXED SPOUT



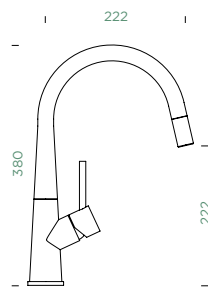
CONOS

PULL-OUT



Connecting hose: **800 mm**
 Swivel range: **360°**
 Lever position: **on the right**
 Features: **Ultra-quiet aerator**

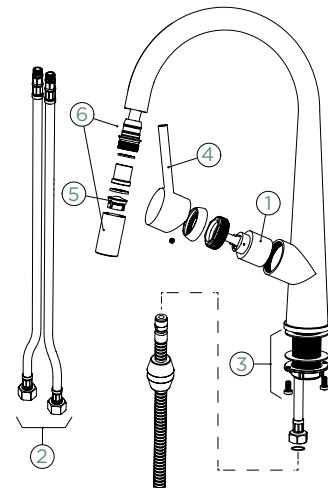
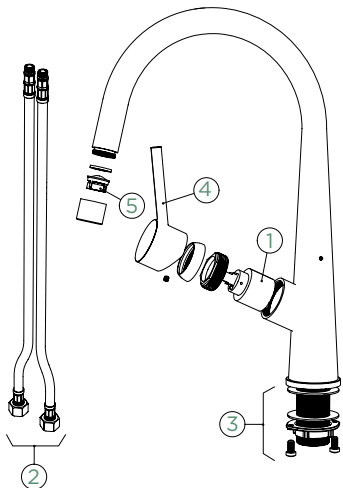
FIXED SPOUT	PULL-OUT
METALLIC	
528000 EDM	528120 EDM



Connecting hose: **800 mm**
 Swivel range: **130°**
 Lever position: **on the right**
 Usable shower hose length: **550 mm**
 Features: **Backflow preventer, Ultra-quiet aerator**

- 1 628741/1
- 2 628740/3
- 3 628740/2
- 4 628793EDM
- 5 628740/5

- 1 628741/1
- 2 628740/3
- 3 628740/2
- 4 628793EDM
- 5 628740/5
- 6 628742EDM

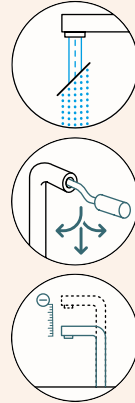
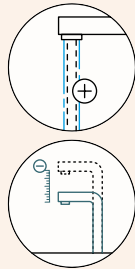


○ = on stock



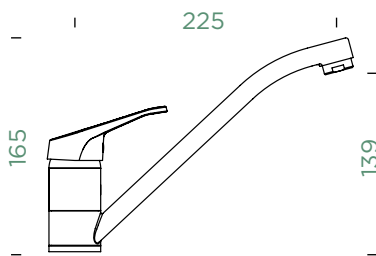
COSMO

FIXED SPOUT



COSMO

PULL-OUT



Connecting hose: **450 mm**
 Swivel range: **360°**
 Lever position: **at the top**
 Features: **Colour lacquered**

FIXED SPOUT

PULL-OUT

METALLIC

● 525001 CHR

525122 CHR

CT BASIC LINE

● 525001 GNE

525122 GNE

● 525001 GON

525122 GON

● 525001 GAS

525122 GAS

● 525001 GMC

525122 GMC

● 525001 GBT

525122 GBT

● 525001 GCR

525122 GCR

● 525001 GSA

525122 GSA

● 525001 GMS

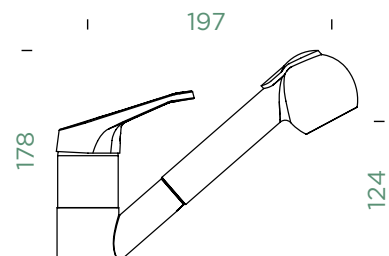
525122 GMS

○ 525001 GDW

525122 GDW

○ 525001 SUW

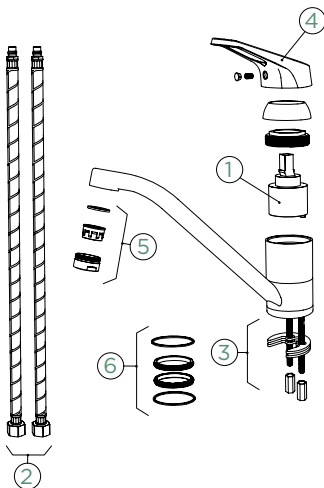
525122 SUW



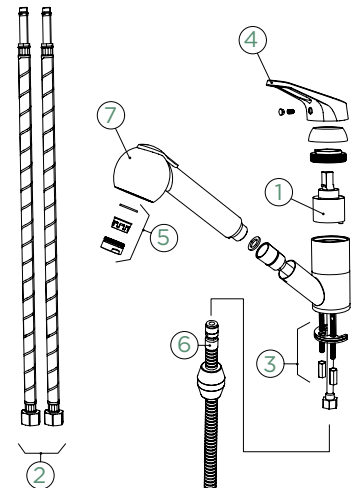
Connecting hose: **450 mm**
 Swivel range: **140°**
 Lever position: **at the top**
 Usable shower hose length: **600 mm**
 Features: **Jet-spray function, Colour lacquered**

- 1 628734/1
- 2 628804/2
- 3 628734/2
- 4 628734XXX
- 5 628734/5
- 6 628734/8

- 1 628734/1
- 2 628735/3
- 3 628735/2
- 4 628734XXX
- 5 628734/5
- 6 628735/4
- 7 628735/7XXX



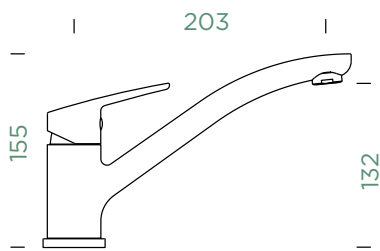
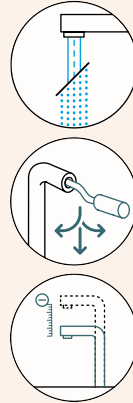
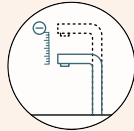
○ = on stock





DAJA

FIXED SPOUT



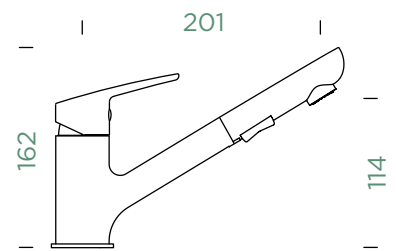
Connecting hose: **450 mm**
 Swivel range: **360°**
 Lever position: **at the top**
 Features: **Colour powder-coated**

FIXED SPOUT	PULL-OUT
METALLIC	
● 522000 CHR	522120 CHR
CT BASIC LINE	
● 522000 GNE	522120 GNE
● 522000 GON	522120 GON
● 522000 GAS	522120 GAS
● 522000 GCR	522120 GCR
● 522000 GMS	522120 GMS



DAJA

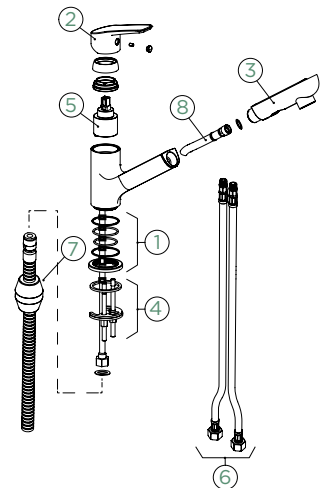
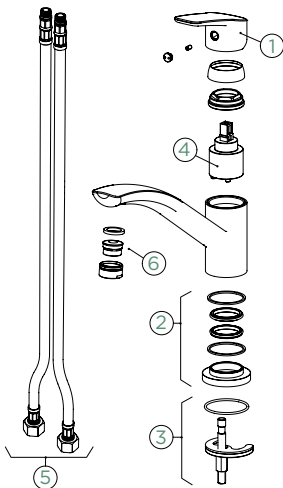
PULL-OUT



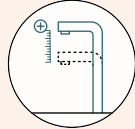
Connecting hose: **450 mm**
 Swivel range: **120°**
 Lever position: **at the top**
 Usable shower hose length: **700 mm**
 Features: **Backflow preventer, Jet-spray function, Colour powder-coated**

- 1 628790/XXX
- 2 628790/7
- 3 628790/2
- 4 628790/1
- 5 628790/3
- 6 628790/5

- 1 628791/7
- 2 628790/XXX
- 3 628791/CHR
- 4 628791/2
- 5 628790/1
- 6 628791/3
- 7 628791/4
- 8 628791/6

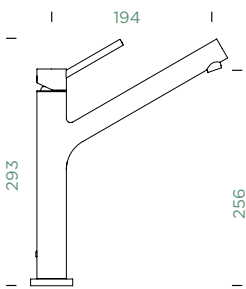


○ = on stock



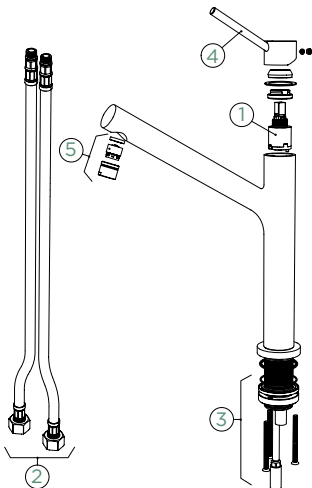
DION

FIXED SPOUT

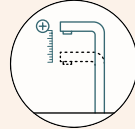
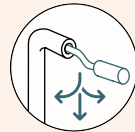


Connecting hose: **500 mm**
 Swivel range: **120°**
 Lever position: **at the top**
 Features: **Colours PVD, powder-coated**

- 1 628744/1
- 2 628743/2
- 3 628743/3
- 4 628774XXX
- 5 628743/4XXX

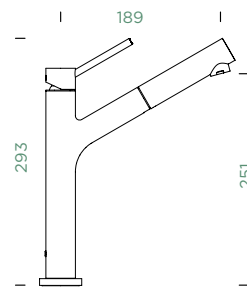


= on stock



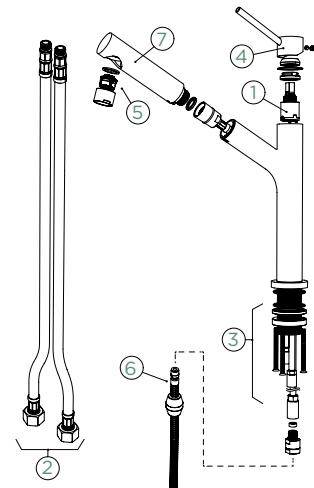
DION

PULL-OUT



Connecting hose: **500 mm**
 Swivel range: **120°**
 Lever position: **at the top**
 Usable shower hose length: **600 mm**
 Features: **Backflow preventer, Colour powder-coated**

- 1 628744/1
- 2 628743/2
- 3 628743/3
- 4 628774CHR
- 5 628774/4
- 6 628774/6
- 7 628774/5



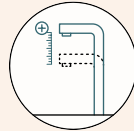
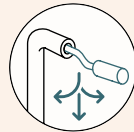
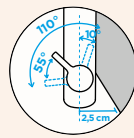
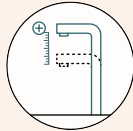
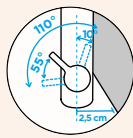
The taps in the colours WGO, COP and GUM will be delivered completely colored. For the colours PUR and MAG the socket, the handle and the shower head will be delivered in chrome colour.

For the colours PUR and MAG the socket, the handle and the shower head will be delivered in chrome colour.



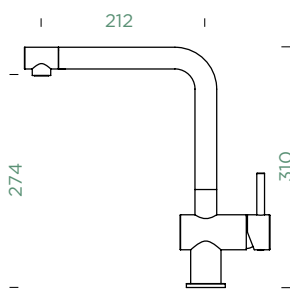
EPOS

FIXED SPOUT



EPOS

PULL-OUT



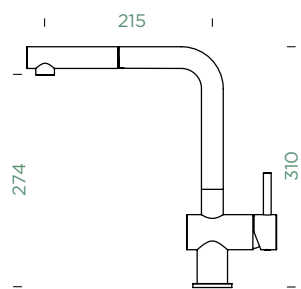
Connecting hose: **450 mm**
 Swivel range: **360°**
 Lever position: **on the right**
 Features: **Colour lacquered**

FIXED SPOUT

PULL-OUT

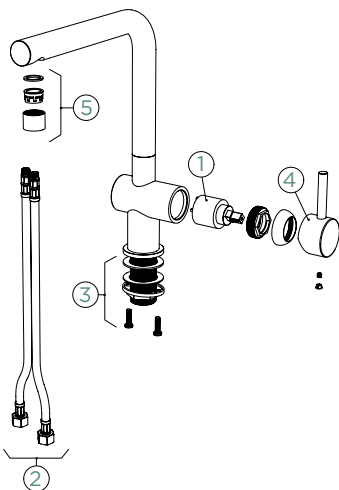
CT BASIC LINE

● 540000 GNE	540120 GNE
● 540000 GON	540120 GON
● 540000 GAS	540120 GAS
● 540000 GMC	540120 GMC
● 540000 GBT	540120 GBT
● 540000 GCR	540120 GCR
● 540000 GSA	540120 GSA
● 540000 GMS	540120 GMS
● 540000 GDW	540120 GDW
● 540000 SUW	540120 SUW

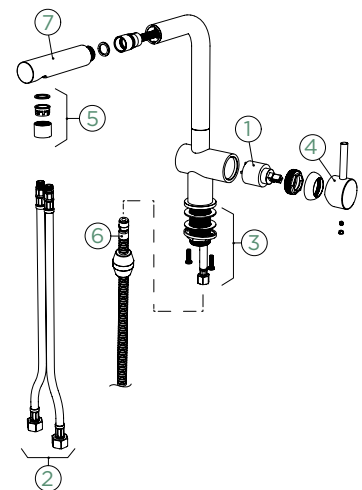


Connecting hose: **450 mm**
 Swivel range: **180°**
 Lever position: **on the right**
 Usable shower hose length: **350 mm**
 Features: **Backflow preventer, Colour lacquered**

- 1 628737/1
- 2 628804/2
- 3 628736/2
- 4 628736XXX
- 5 628741/5XXX



- 1 628737/1
- 2 628759/3
- 3 628736/2
- 4 628736XXX
- 5 628741/5XXX
- 6 628736/6
- 7 628739XXX



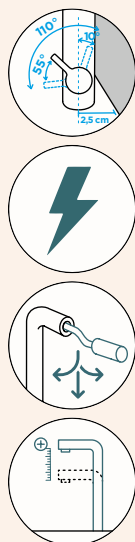
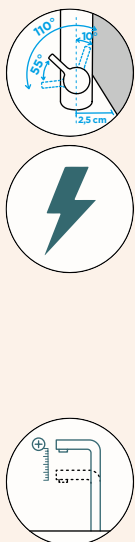
○ = on stock

SCHOCK



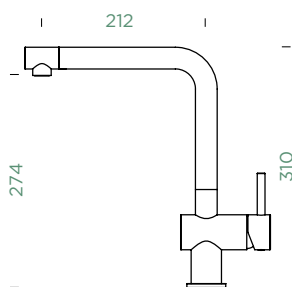
EPOS

FIXED SPOUT



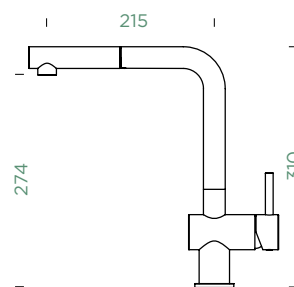
EPOS

PULL-OUT



Connecting hose: **450 mm**
 Swivel range: **360°**
 Lever position: **on the right**
 Features: **Colour lacquered**

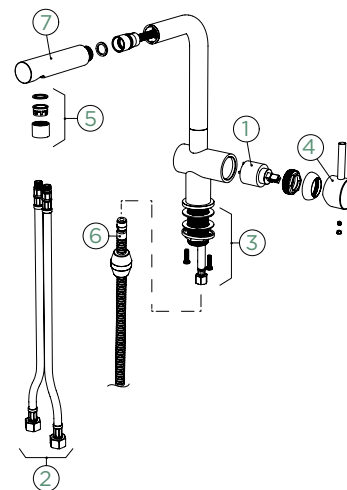
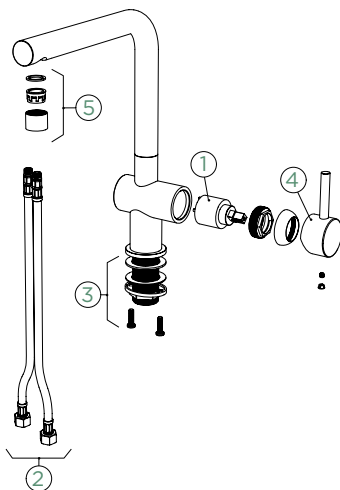
	FIXED SPOUT	PULL-OUT
	METALLIC	
LP	540000 CHR	540120 CHR
	540003 CHR	540123 CHR
	CD CLASSIC LINE	
LP	540003 PUR	540123 PUR
	540027 PUR	540127 PUR
	540027 MAG	540127 MAG
	540027 CAR	540127 CAR
	540027 STO	540127 STO
	540027 BRO	540127 BRO
	540027 SIL	540127 SIL
	540027 MGL	540127 MGL
	540027 POL	540127 POL



Connecting hose: **450 mm**
 Swivel range: **180°**
 Lever position: **on the right**
 Usable shower hose length: **350 mm**
 Features: **Backflow preventer, Colour lacquered**

- 1 628737/1
- 2 628804/2
- 3 628736/2
- 4 628736XXX
- 5 628741/5XXX

- 1 628737/1
- 2 628759/3
- 3 628736/2
- 4 628736XXX
- 5 628741/5XXX
- 6 628736/6
- 7 628739XXX



○ = on stock

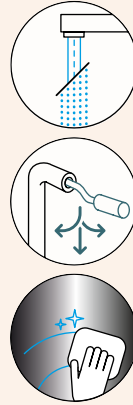
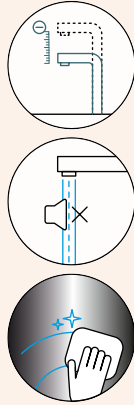
Note: The explosion drawing shows high pressure tap (540000.../540027...) including the spare parts. For the low pressure tap (540003...) other spare parts are necessary.

Note: The explosion drawing shows high pressure tap (540120.../540127...) including the spare parts. For the low pressure tap (540123...) other spare parts are necessary.



EVINAS

FIXED SPOUT



EVINAS

PULL-OUT

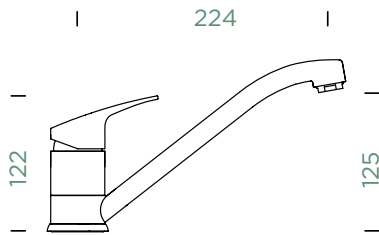
FIXED SPOUT

PULL-OUT

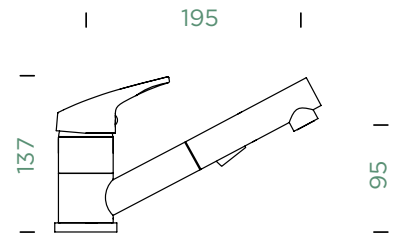
METALLIC

577000 EDM

577120 EDM



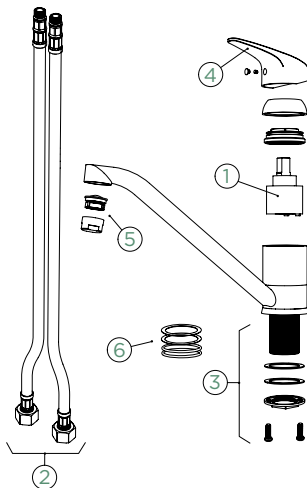
Connecting hose: **450 mm**
 Swivel range: **360°**
 Lever position: **at the top**
 Features: **Ultra-quiet aerator**



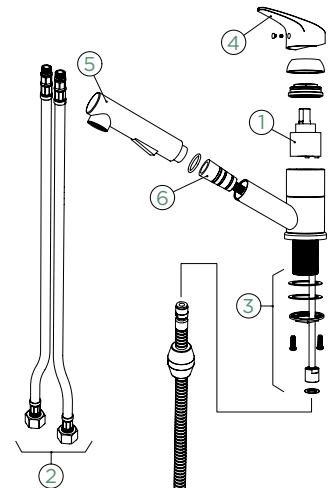
Connecting hose: **450 mm**
 Swivel range: **120°**
 Lever position: **at the top**
 Usable shower hose length: **600 mm**
 Features: **Backflow preventer, Jet-spray function**

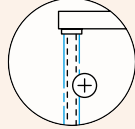
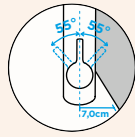
- 1 628794/1
- 2 628748/2
- 3 628778/2
- 4 628794EDM
- 5 628740/5
- 6 628794/8

- 1 628794/1
- 2 628748/2
- 3 628795/3
- 4 628795EDM
- 5 628795/7
- 6 628795/6



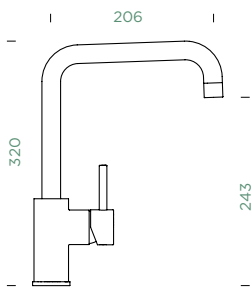
○ = on stock





FONOS

FIXED SPOUT



Connecting hose: **450 mm**
 Swivel range: **360°**
 Lever position: **reversible**
 Features: **Temperature limiter, Colour lacquered**

FIXED SPOUT

METALLIC

● 538000 CHR

CT BASIC LINE

● 538000 GNE

● 538000 GON

● 538000 GAS

● 538000 GMC

● 538000 GCR

● 538000 GSA

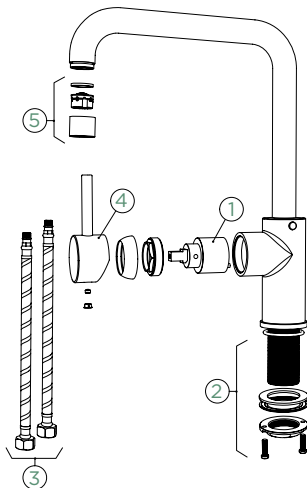
● 538000 GMS

● 538000 GEV

○ 538000 GDW

○ 538000 SUW

- 1 628736/1
- 2 628736/2
- 3 628734/3
- 4 628736XXX
- 5 628737/5



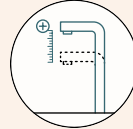
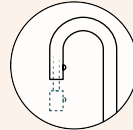
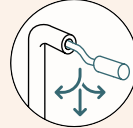
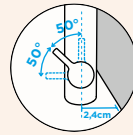
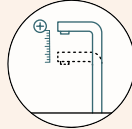
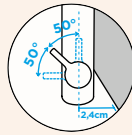
○ = on stock





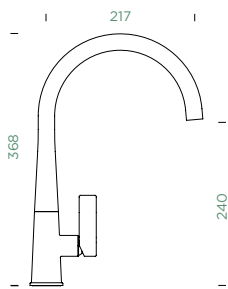
GOTA

FIXED SPOUT



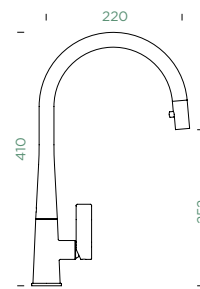
GOTA

PULL-OUT



Connecting hose: **450 mm**
 Swivel range: **360°**
 Lever position: **on the right**
 Features: **Colour lacquered**

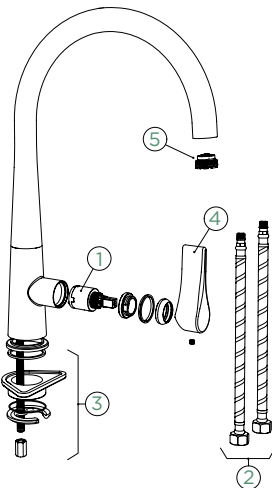
FIXED SPOUT	PULL-OUT
METALLIC	
● 521000 CHR	521120 CHR
● 521000 S	521120 S
○ 521000 W	521120 W
CD CLASSIC LINE	
● 521000 MAG	521120 MAG
● 521000 STO	521120 STO
● 521000 BRO	521120 BRO
● 521000 SIL	521120 SIL
○ 521000 MGL	521120 MGL



Connecting hose: **450 mm**
 Swivel range: **360°**
 Lever position: **on the right**
 Usable shower hose length: **450 mm**
 Features: **Backflow preventer, Colour lacquered**

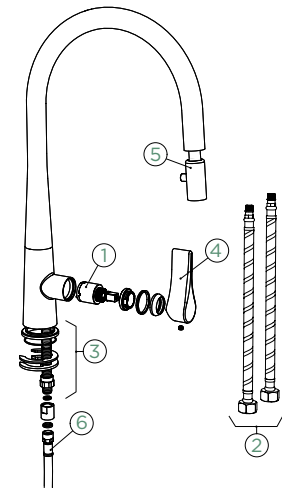
- 1 628745/1
- 2 628745/2
- 3 628745/3
- 4 628745/X
- 5 628745/5

- 1 628745/1
- 2 628746/2
- 3 628746/3
- 4 628745/X
- 5 628746/7
- 6 628746/6



○ = on stock

Note: The aerator is equipped with a coin slot and can be easily changed with a coin.



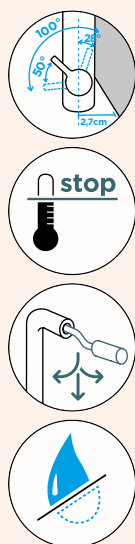
Note: The aerator is equipped with a coin slot and can be easily changed with a coin.

SCHOCK



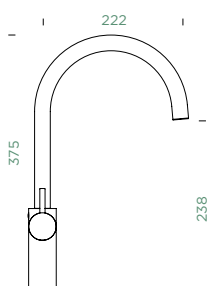
HEKATE

FIXED SPOUT



HEKATE

PULL-OUT



Connecting hose: **400 mm**
 Swivel range: **360°**
 Lever position: **on the right**
 Features: **Temperature limiter, Water saving function, Colour powder-coated**

- 1 628720/1
- 2 628663/3
- 3 628733/2
- 4 628677/CHR
- 5 628677/5

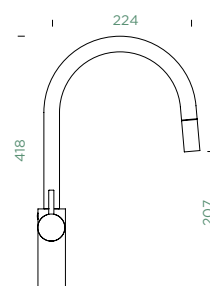
FIXED SPOUT

PULL-OUT

METALLIC

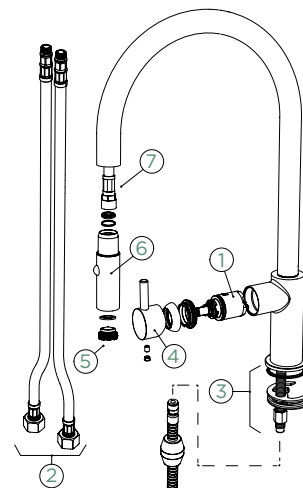
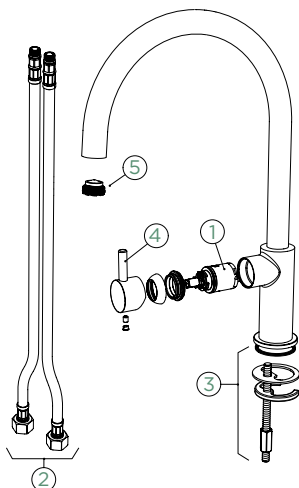
- 549000 CHR
- 549000 S
- 549000 W

- 549120 CHR
- 549120 S
- 549120 W



Connecting hose: **450 mm**
 Swivel range: **180°**
 Lever position: **on the right**
 Usable shower hose length: **550 mm**
 Features: **Backflow preventer, Jet-spray function, Temperature limiter, Water saving function, Colour powder-coated**

- 1 628720/1
- 2 628677/3
- 3 628733/2
- 4 628677/CHR
- 5 628677/5
- 6 628677/4CHR
- 7 628675/4



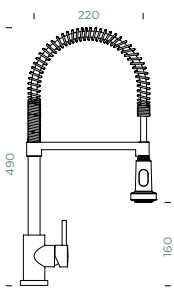
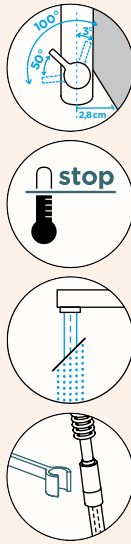
○ = on stock

Note: The aerator key is included in the scope of supply.



KARPO

FIXED SPOUT



FIXED SPOUT

METALLIC

593120 CHR

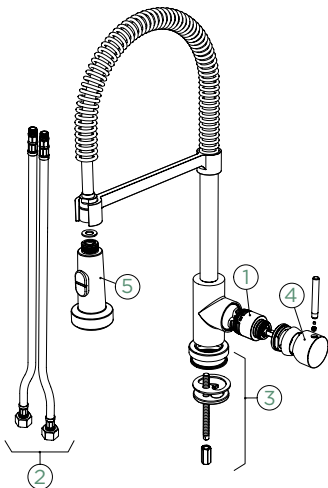
Connecting hose: **400 mm**

Swivel range: **360°**

Lever position: **on the right**

Features: **Backflow preventer, Jet-spray function, Temperature limiter**

- 1 628663/1
- 2 628663/3
- 3 628663/2
- 4 628663/CHR
- 5 628663/4CHR



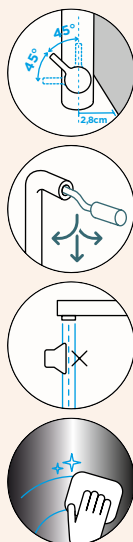
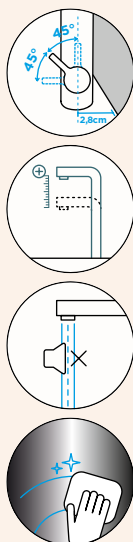
○ = on stock





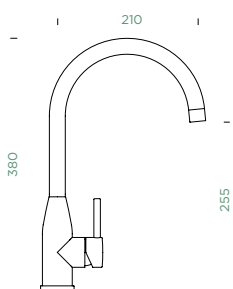
KAVUS

FIXED SPOUT



KAVUS

PULL-OUT



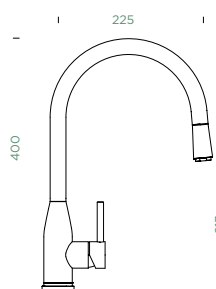
Connecting hose: **450 mm**
 Swivel range: **360°**
 Lever position: **on the right**
 Features: **Ultra-quiet aerator, Colour lacquered**

FIXED SPOUT

PULL-OUT

CT BASIC LINE

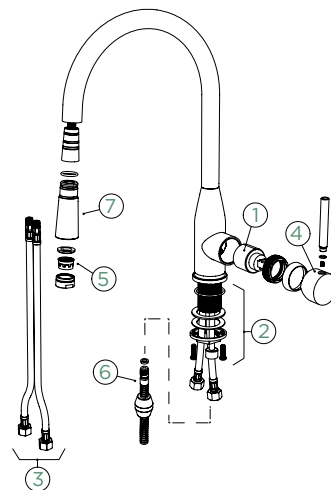
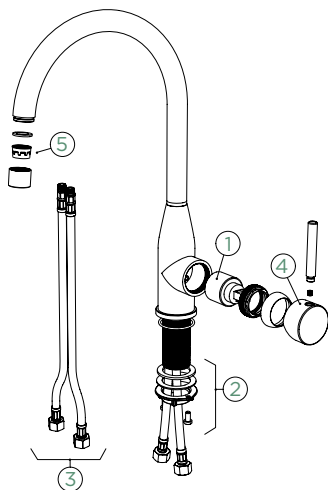
- | | |
|--------------|------------|
| ● 559000 GNE | 559120 GNE |
| ● 559000 GON | 559120 GON |
| ● 559000 GAS | 559120 GAS |
| ● 559000 GMC | 559120 GMC |
| ● 559000 GSA | 559120 GSA |
| ● 559000 GMS | 559120 GMS |
| ● 559000 GDW | 559120 GDW |



Connecting hose: **450 mm**
 Swivel range: **360°**
 Lever position: **on the right**
 Usable shower hose length: **350 mm**
 Features: **Backflow preventer, Ultra-quiet aerator, Colour lacquered**

- 1 628778/1
- 2 628778/2
- 3 628748/2
- 4 628748/XXX
- 5 628740/5

- 1 628778/1
- 2 628780/2
- 3 628749/2
- 4 628789/XXX
- 5 628740/5
- 6 628789/8
- 7 628789/1XXX



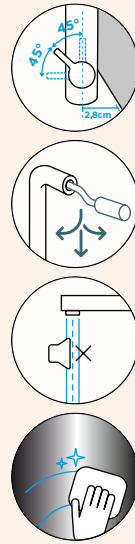
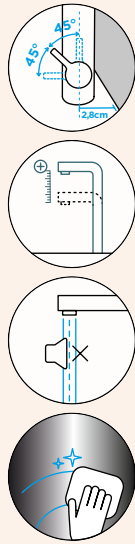
○ = on stock

SCHOCK



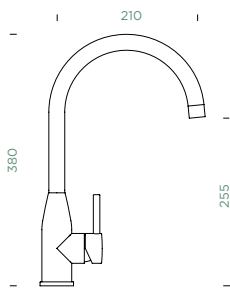
KAVUS

FIXED SPOUT



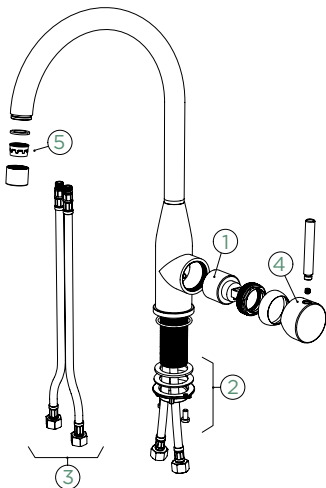
KAVUS

PULL-OUT



Connecting hose: **450 mm**
 Swivel range: **360°**
 Lever position: **on the right**
 Features: **Ultra-quiet aerator, Colour lacquered**

- 1 628778/1
- 2 628778/2
- 3 628748/2
- 4 628748/XXX
- 5 628740/5



○ = on stock

FIXED SPOUT

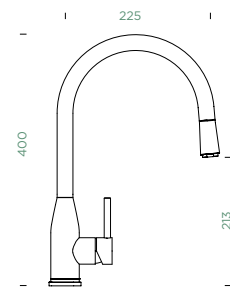
PULL-OUT

METALLIC

- | | |
|--------------|------------|
| ● 559000 EDM | 559120 EDM |
| ● 559000 WGO | 559120 WGO |
| ● 559000 COP | 559120 COP |
| ● 559000 GUM | 559120 GUM |

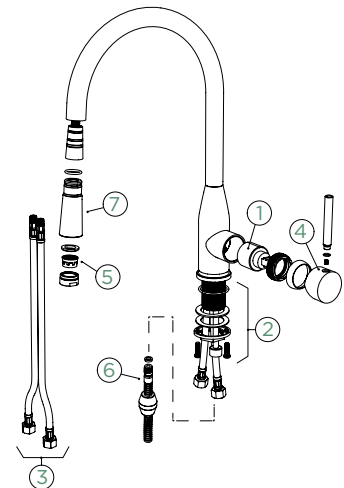
CD CLASSIC LINE

- | | |
|--------------|------------|
| ● 559027 PUR | 559127 PUR |
|--------------|------------|



Connecting hose: **450 mm**
 Swivel range: **360°**
 Lever position: **on the right**
 Usable shower hose length: **350 mm**
 Features: **Backflow preventer, Ultra-quiet aerator, Colour lacquered**

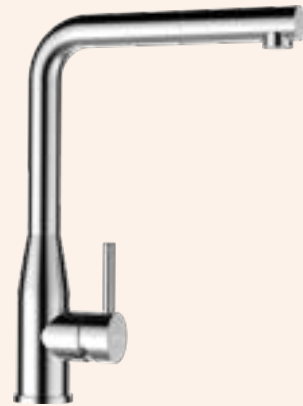
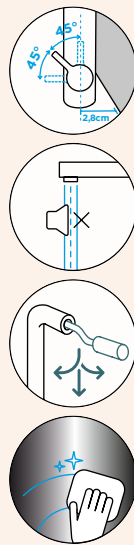
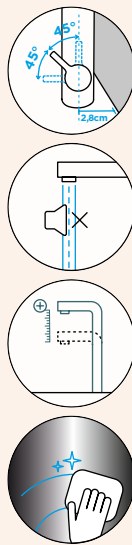
- 1 628778/1
- 2 628780/2
- 3 628749/2
- 4 628789/XXX
- 5 628740/5
- 6 628789/8
- 7 628789/1XXX





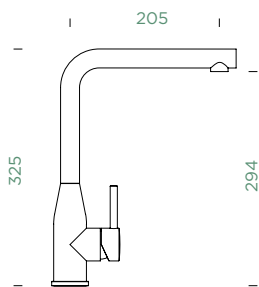
KETO

FIXED SPOUT



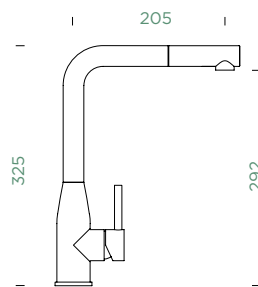
KETO

PULL-OUT



Connecting hose: **450 mm**
 Swivel range: **360°**
 Lever position: **on the right**
 Features: **Ultra-quiet aerator, Colours PVD, lacquered**

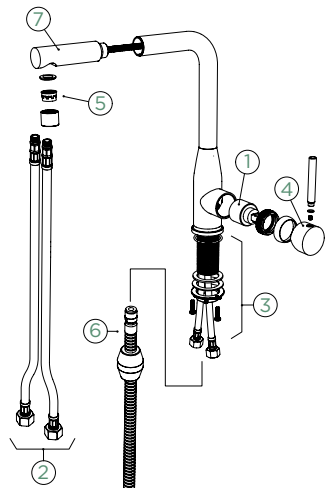
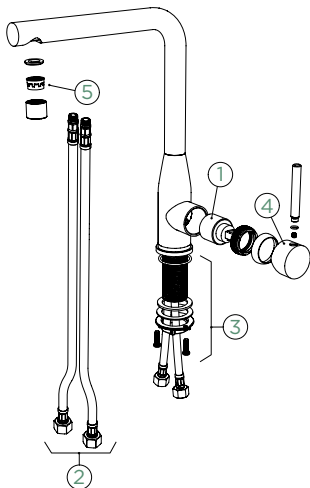
FIXED SPOUT	PULL-OUT
METALLIC	
518000 EDM	518120 EDM
518000 WGO	518120 WGO
518000 COP	518120 COP
518000 GUM	518120 GUM
CD CLASSIC LINE	
518027 PUR	518127 PUR



Connecting hose: **450 mm**
 Swivel range: **180°**
 Lever position: **on the right**
 Usable shower hose length: **350 mm**
 Features: **Backflow preventer, Ultra-quiet aerator, Colours PVD, lacquered**

- 1 628778/1
- 2 628748/2
- 3 628778/2
- 4 628748/XXX
- 5 628740/5

- 1 628778/1
- 2 628749/2
- 3 628780/2
- 4 628789/XXX
- 5 628740/5
- 6 628789/8
- 7 628778/7XXX



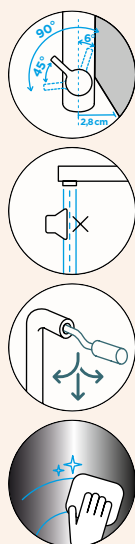
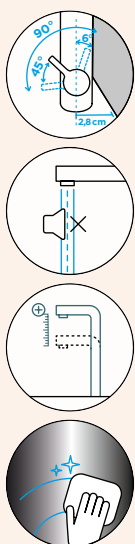
○ = on stock

SCHOCK



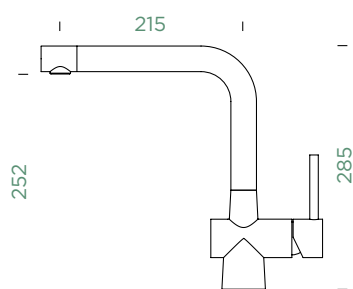
LAIOS

FIXED SPOUT



LAIOS

PULL-OUT



Connecting hose: **800 mm**
 Swivel range: **360°**
 Lever position: **on the right**
 Features: **Ultra-quiet aerator, Colours lacquered, PVD**

FIXED SPOUT

PULL-OUT

METALLIC

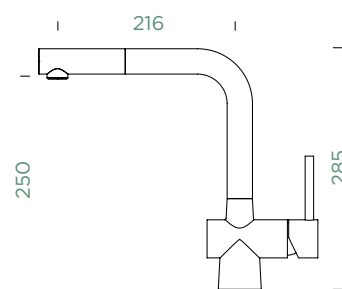
- 517000 EDM
- 517000 WGO
- 517000 COP
- 517000 GUM

- 517120 EDM
- 517120 WGO
- 517120 COP
- 517120 GUM

CD CLASSIC LINE

- 517000 PUR
- 517000 MAG
- 517000 CAR
- 517000 STO
- 517000 BRO
- 517000 SIL
- 517000 MGL
- 517000 POL

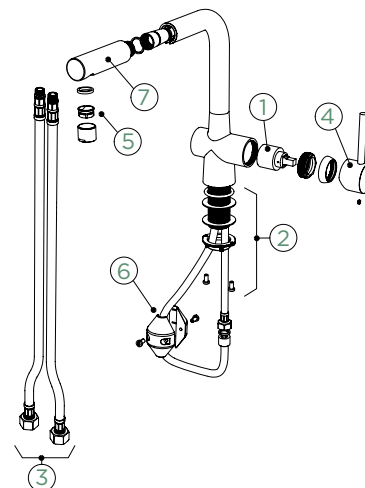
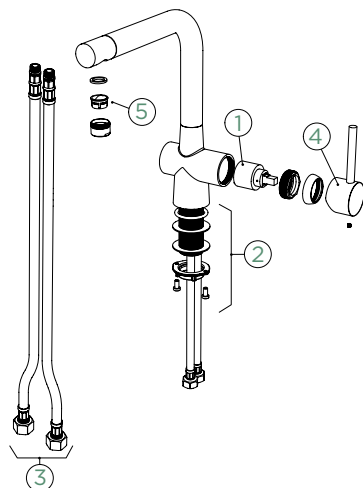
- 517120 PUR
- 517120 MAG
- 517120 CAR
- 517120 STO
- 517120 BRO
- 517120 SIL
- 517120 MGL
- 517120 POL



Connecting hose: **800 mm**
 Swivel range: **360°**
 Lever position: **on the right**
 Usable shower hose length: **700 mm**
 Features: **Backflow preventer, Ultra-quiet aerator, Colours lacquered, PVD**

- 1 628741/1
- 2 628740/2
- 3 628740/3
- 4 628781XXX
- 5 628740/5

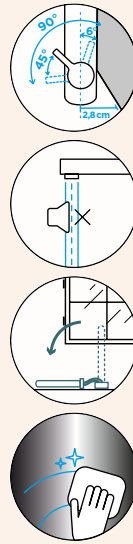
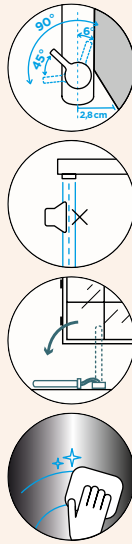
- 1 628741/1
- 2 628740/2
- 3 628740/3
- 4 628781XXX
- 5 628740/5
- 6 628740/4
- 7 628741XXX



○ = on stock



LAIOS W
FIXED SPOUT



LAIOS W
PULL-OUT

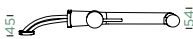
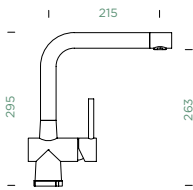
FIXED SPOUT

PULL-OUT

METALLIC

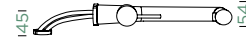
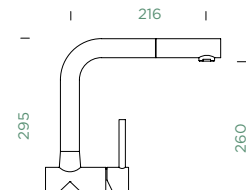
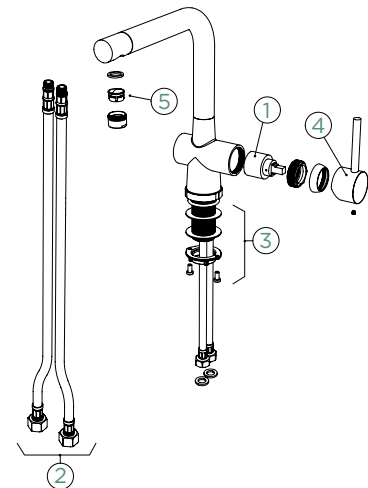
517005 EDM

517125 EDM



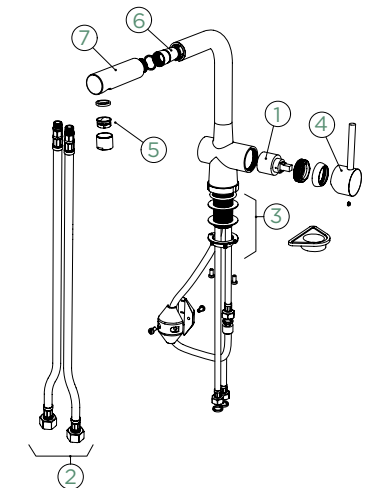
Connecting hose: **800 mm**
Swivel range: **360°**
Lever position: **on the right**
Features: **Window mixer tap, Ultra-quiet aerator**

- 1 628741/1
- 2 628740/3
- 3 628781/3
- 4 628781EDM
- 5 628740/5



Connecting hose: **800 mm**
Swivel range: **360°**
Lever position: **on the right**
Usable shower hose length: **750 mm**
Features: **Backflow preventer, Window mixer tap, Ultra-quiet aerator**

- 1 628741/1
- 2 628740/3
- 3 628781/3
- 4 628781EDM
- 5 628740/5
- 6 628740/4
- 7 628741EDM

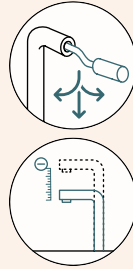
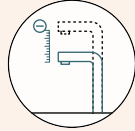


○ = on stock



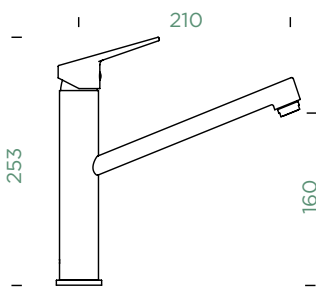
METIS

FIXED SPOUT



METIS

PULL-OUT



Connecting hose: **450 mm**
 Swivel range: **360°**
 Lever position: **at the top**

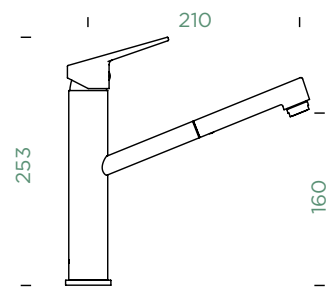
FIXED SPOUT

PULL-OUT

METALLIC

- 526000 CHR
- 526000 EDO

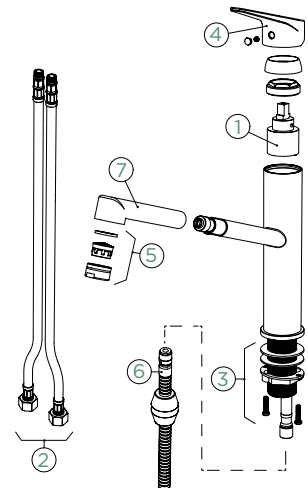
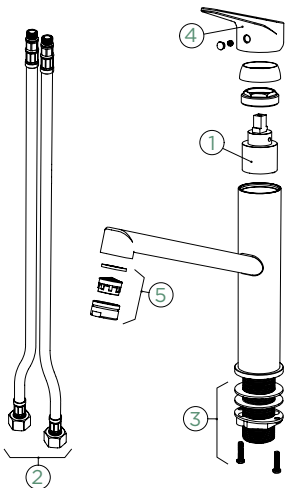
- 526120 CHR
- 526120 EDO



Connecting hose: **450 mm**
 Swivel range: **120°**
 Lever position: **at the top**
 Usable shower hose length: **400 mm**
 Features: **Backflow preventer**

- 1 628804/1
- 2 628804/2
- 3 628736/2
- 4 628804/XXX
- 5 628734/5XXX

- 1 628804/1
- 2 628759/3
- 3 628736/2
- 4 628804/XXX
- 5 628734/5XXX
- 6 628804/6
- 7 628804/7XXX

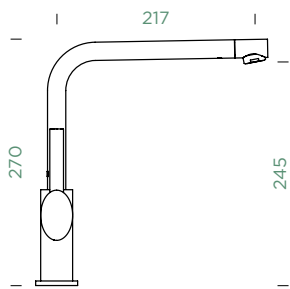
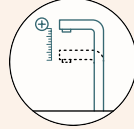
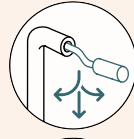
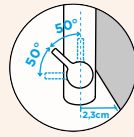
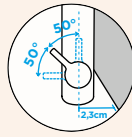


○ = on stock



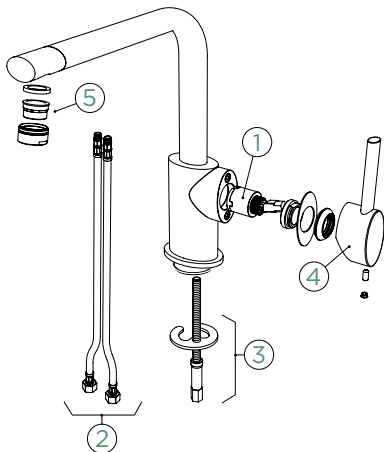
NIMBUS

FIXED SPOUT



Connecting hose: **470 mm**
 Swivel range: **360°**
 Lever position: **on the right**
 Features: **Colour powder-coated**

- 1 628660/1
- 2 628660/3
- 3 628660/2
- 4 628660/CHR
- 5 628660/5



= on stock

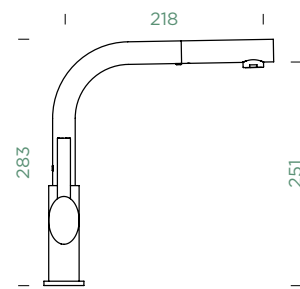


NIMBUS

PULL-OUT

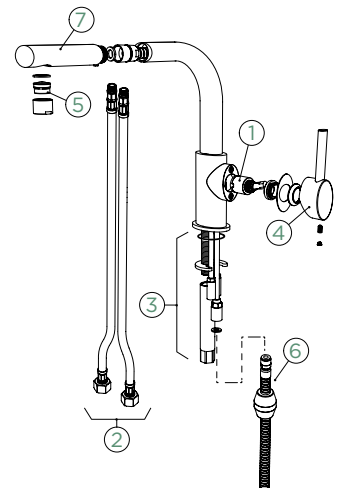


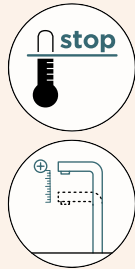
FIXED SPOUT	PULL-OUT
METALLIC	
523000 CHR	523120 CHR
CD CLASSIC LINE	
523000 PUR	523120 PUR
523000 MAG	523120 MAG



Connecting hose: **470 mm**
 Swivel range: **130°**
 Lever position: **on the right**
 Usable shower hose length: **550 mm**
 Features: **Backflow preventer, Colour powder-coated**

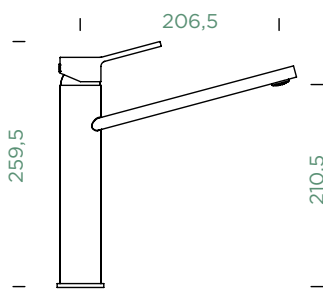
- 1 628660/1
- 2 628661/3
- 3 628661/2
- 4 628660/CHR
- 5 628661/5
- 6 628661/4
- 7 628661/CHR





PAPILIO

FIXED SPOUT



Connecting hose: **550 mm**
 Swivel range: **140°**
 Lever position: **at the top**
 Features: **Temperature limiter, Colour lacquered**

FIXED SPOUT

METALLIC

● 588000 CHR

CD CLASSIC LINE

● 588000 PUR

● 588000 MAG

● 588000 CAR

● 588000 STO

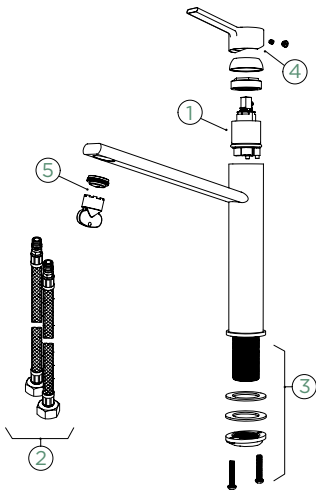
● 588000 BRO

● 588000 SIL

● 588000 MGL

● 588000 POL

- 1 628798/1
- 2 628798/2
- 3 628798/3
- 4 628798XXX
- 5 628798/5



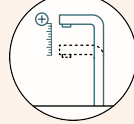
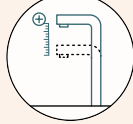
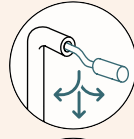
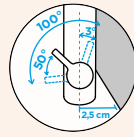
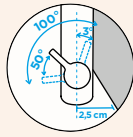
○ = on stock





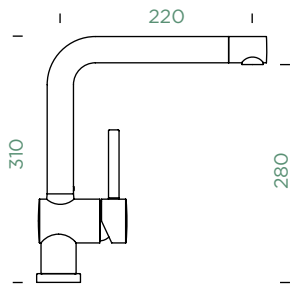
PIEGA

FIXED SPOUT

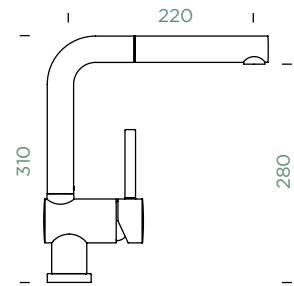


PIEGA

PULL-OUT



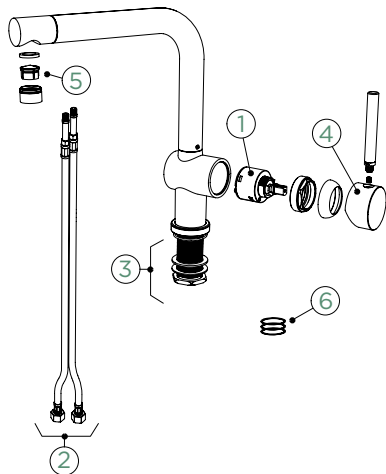
Connecting hose: **550 mm**
 Swivel range: **360°**
 Lever position: **on the right**
 Features: **Temperature limiter, Colour powder-coated**



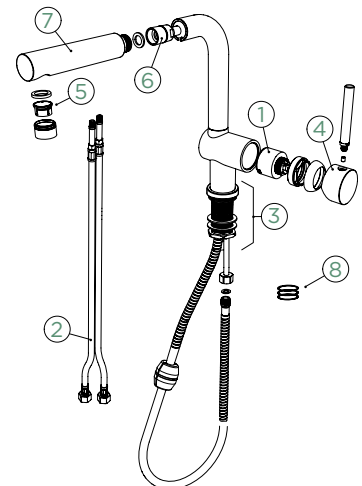
Connecting hose: **550 mm**
 Swivel range: **360°**
 Lever position: **on the right**
 Usable shower hose length: **500 mm**
 Features: **Backflow preventer, Temperature limiter, Colour powder-coated**

FIXED SPOUT	PULL-OUT
METALLIC	
● 547001 CHR	547121 CHR
CD CLASSIC LINE	
● 547001 PUR	547121 PUR
● 547001 MAG	547121 MAG
● 547001 CAR	547121 CAR
● 547001 STO	547121 STO
● 547001 BRO	547121 BRO
● 547001 SIL	547121 SIL
○ 547001 MGL	547121 MGL
○ 547001 POL	547121 POL

- 1 628801/1
- 2 628801/2
- 3 628801/3
- 4 628801/4
- 5 628604/2
- 6 628801/8



- 1 628801/1
- 2 628801/2
- 3 628801/3
- 4 628801/4
- 5 628739/5
- 6 628801/6
- 7 628801/7
- 8 628801/8

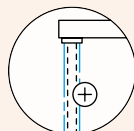
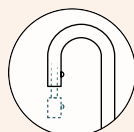
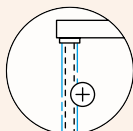
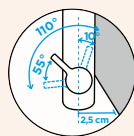
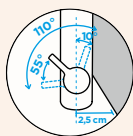


○ = on stock



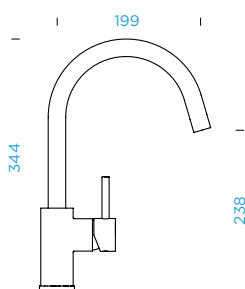
PLUTOS

FIXED SPOUT



PLUTOS

PULL-OUT



Connecting hose: **450 mm**
 Swivel range: **360°**
 Lever position: **on the right**
 Features: **Temperature limiter, Colour lacquered**

- 1 628737/1
- 2 628736/2
- 3 628734/3
- 4 628736XXX
- 5 628737/5

FIXED SPOUT

PULL-OUT

METALLIC

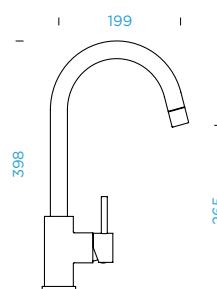
- 589000 CHR
- 589121 CHR

CD CLASSIC LINE

- 589000 PUR
- 589000 MAG
- 589121 PUR
- 589121 MAG

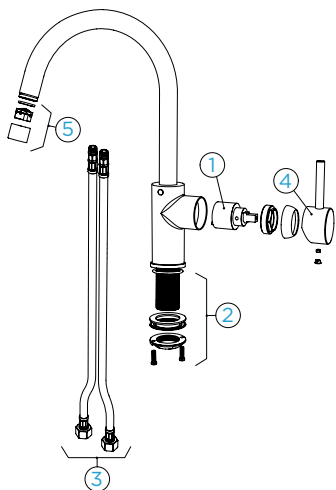
CT BASIC LINE

- 589000 GNE
- 589000 GON
- 589000 GAS
- 589000 GMC
- 589000 GCR
- 589000 GSA
- 589000 GMS
- 589000 GDW
- 589000 SUW
- 589121 GNE
- 589121 GON
- 589121 GAS
- 589121 GMC
- 589121 GCR
- 589121 GSA
- 589121 GMS
- 589121 GDW
- 589121 SUW

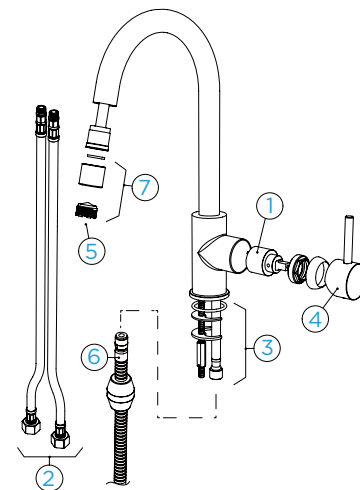


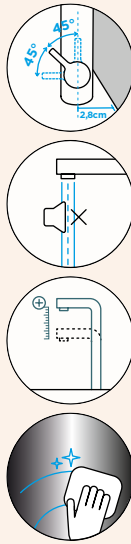
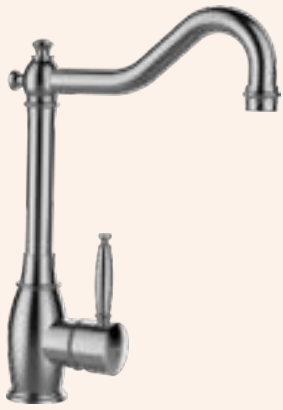
Connecting hose: **450 mm**
 Swivel range: **180°**
 Lever position: **on the right**
 Usable shower hose length: **400 mm**
 Features: **Backflow preventer, Temperature limiter, Colour lacquered**

- 1 628759/1
- 2 628738/3
- 3 628759/2
- 4 628736XXX
- 5 628759/5
- 6 628759/4
- 7 628759/7



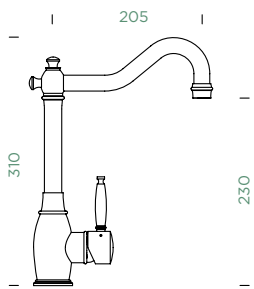
○ = on stock







RESI

FIXED SPOUT



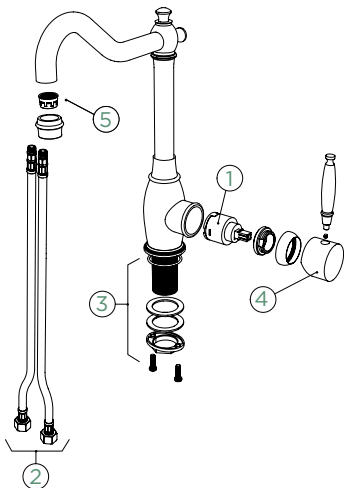
FIXED SPOUT

METALLIC

-  513000 EDM
-  513000 WGO

Connecting hose: **450 mm**
 Swivel range: **360°**
 Lever position: **on the right**
 Features: **Ultra-quiet aerator, Colour PVD**

- 1 628778/1
- 2 628748/2
- 3 628778/2
- 4 628796XXX
- 5 628740/5



 = on stock



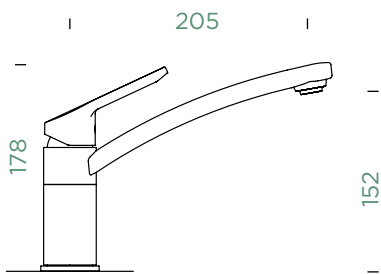


UPDATE



SC-90

FIXED SPOUT



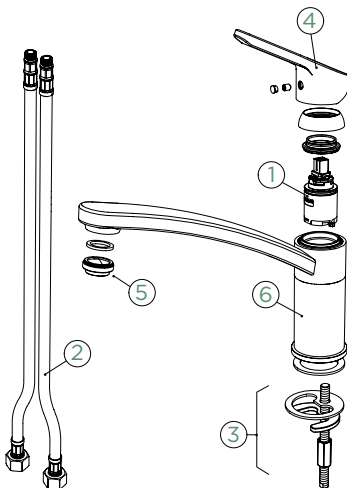
Connecting hose: **450 mm**

Swivel range: **360°**

Lever position: **at the top**

Features: **Temperature limiter, Water saving function, Version in chrome with sleeves**

- 1 628720/1
- 2 628677/3
- 3 628639/1
- 4 628720CHR
- 5 628720/2
- 6 5..22060XX



FIXED SPOUT

CD CLASSIC LINE

- 598000 PUR
- 598000 MAG
- 598000 CAR
- 598000 STO
- 598000 BRO
- 598000 SIL
- 598000 MGL
- 598000 POL
- 598000 ROU

CD GREEN LINE

- 598000 DAY
- 598000 DSK
- 598000 NGT
- 598000 TWI

CT BASIC LINE

- 598000 GNE
- 598000 GON
- 598000 GAS
- 598000 GMC
- 598000 GBT
- 598000 GCR
- 598000 GSA
- 598000 GMS
- 598000 GEV
- 598000 GDW

○ = on stock

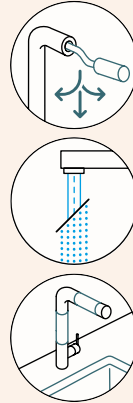
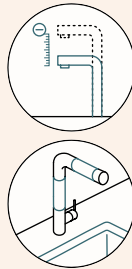




UPDATE

SC-510

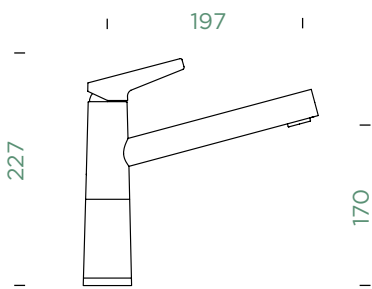
FIXED SPOUT



UPDATE

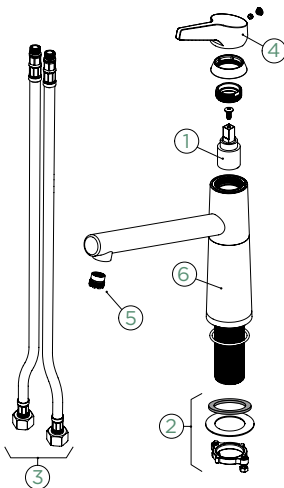
SC-510

PULL-OUT



Connecting hose: **600 mm**
 Swivel range: **360°**
 Lever position: **at the top**
 Features: **Version in chrome with sleeves**

- 1 628784/1
- 2 628784/2
- 3 628785/3
- 4 628784CHR
- 5 628785/5
- 6 5..22075XX



FIXED SPOUT	PULL-OUT
-------------	----------

CD CLASSIC LINE

● 554000 PUR	554120 PUR
● 554000 MAG	554120 MAG
● 554000 CAR	554120 CAR
● 554000 STO	554120 STO
● 554000 BRO	554120 BRO
● 554000 SIL	554120 SIL
○ 554000 MGL	554120 MGL
○ 554000 POL	554120 POL
● 554000 ROU	554120 ROU

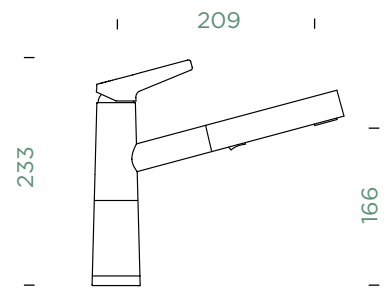
CD GREEN LINE

○ 554000 DAY	554120 DAY
● 554000 DSK	554120 DSK
● 554000 NGT	554120 NGT
● 554000 TWI	554120 TWI

CT BASIC LINE

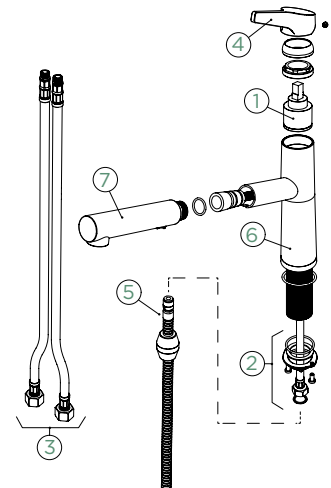
● 554000 GNE	554120 GNE
● 554000 GON	554120 GON
● 554000 GAS	554120 GAS
● 554000 GMC	554120 GMC
● 554000 GBT	554120 GBT
● 554000 GCR	554120 GCR
● 554000 GSA	554120 GSA
● 554000 GMS	554120 GMS
● 554000 GEV	554120 GEV
○ 554000 GDW	554120 GDW
○ 554000 SUW	554120 SUW

○ = on stock



Connecting hose: **600 mm**
 Swivel range: **120°**
 Lever position: **at the top**
 Usable shower hose length: **500 mm**
 Features: **Backflow preventer, Jet-spray function, Version in chrome with sleeves**

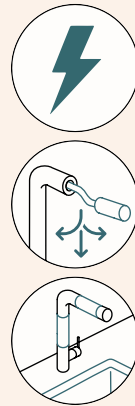
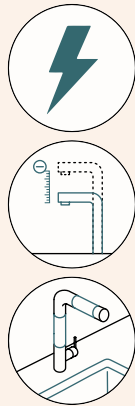
- 1 628784/1
- 2 628784/2
- 3 628785/3
- 4 628784CHR
- 5 628784/4
- 6 5..22075XX
- 7 628784/7





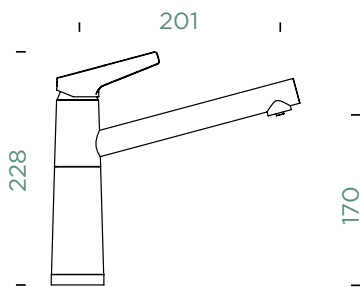
SC-510 LP

FIXED SPOUT



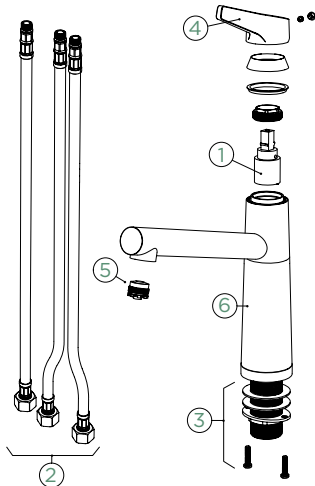
SC-510 LP

PULL-OUT



Connecting hose: **450 mm**
Swivel range: **360°**
Lever position: **at the top**
Features: **Version in chrome with sleeves**

- 1 628805/1
- 2 628805/2
- 3 628736/2
- 4 628805/4
- 5 628792/6
- 6 5..22075XX



FIXED SPOUT

CD CLASSIC LINE

- 554003 PUR
- 554003 MAG
- 554003 CAR
- 554003 STO
- 554003 BRO
- 554003 SIL
- 554003 MGL
- 554003 POL
- 554003 ROU

PULL-OUT

- 554123 PUR
- 554123 MAG
- 554123 CAR
- 554123 STO
- 554123 BRO
- 554123 SIL
- 554123 MGL
- 554123 POL
- 554123 ROU

CD GREEN LINE

- 554003 DAY
- 554003 DSK
- 554003 NGT
- 554003 TWI

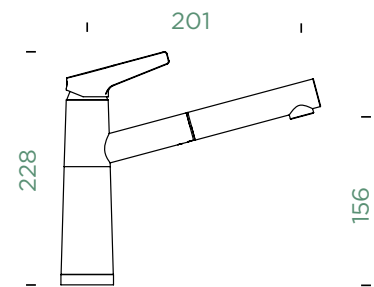
- 554123 DAY
- 554123 DSK
- 554123 NGT
- 554123 TWI

CT BASIC LINE

- 554003 GNE
- 554003 GON
- 554003 GAS
- 554003 GMC
- 554003 GBT
- 554003 GCR
- 554003 GSA
- 554003 GMS
- 554003 GEV
- 554003 GDW
- 554003 SUW

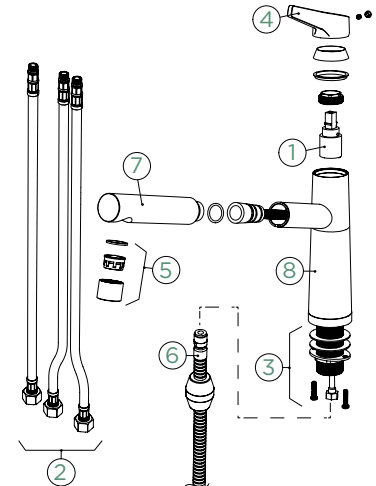
- 554123 GNE
- 554123 GON
- 554123 GAS
- 554123 GMC
- 554123 GBT
- 554123 GCR
- 554123 GSA
- 554123 GMS
- 554123 GEV
- 554123 GDW
- 554123 SUW

○ = on stock



Connecting hose: **450 mm**
Swivel range: **120°**
Lever position: **at the top**
Usable shower hose length: **350 mm**
Features: **Version in chrome with sleeves**

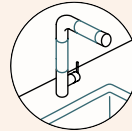
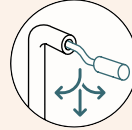
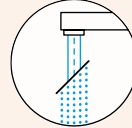
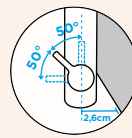
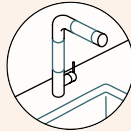
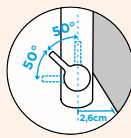
- 1 628805/1
- 2 628805/2
- 3 628793/3
- 4 628805/4
- 5 628791/5
- 6 628805/6
- 7 628792/5
- 8 5..22075XX





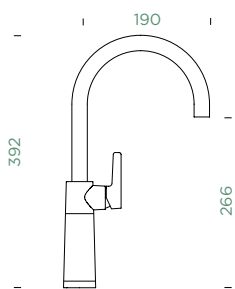
SC-520

FIXED SPOUT



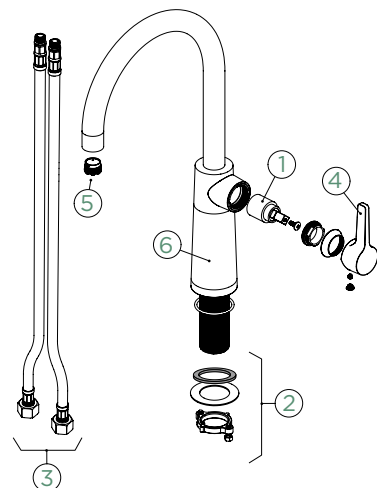
SC-520

PULL-OUT



Connecting hose: **600 mm**
 Swivel range: **360°**
 Lever position: **on the right**
 Features: **Version in chrome with sleeves**

- 1 628784/1
- 2 628784/2
- 3 628784/3
- 4 628785CHR
- 5 628784/5
- 6 5..22075XX



FIXED SPOUT

CD CLASSIC LINE

- 555000 PUR
- 555000 MAG
- 555000 CAR
- 555000 STO
- 555000 BRO
- 555000 SIL
- 555000 MGL
- 555000 POL
- 555000 ROU

PULL-OUT

- 555120 PUR
- 555120 MAG
- 555120 CAR
- 555120 STO
- 555120 BRO
- 555120 SIL
- 555120 MGL
- 555120 POL
- 555120 ROU

CD GREEN LINE

- 555000 DAY
- 555000 DSK
- 555000 NGT
- 555000 TWI

- 555120 DAY
- 555120 DSK
- 555120 NGT
- 555120 TWI

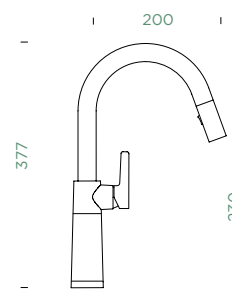
CT BASIC LINE

- 555000 GNE
- 555000 GON
- 555000 GAS
- 555000 GMC
- 555000 GBT
- 555000 GCR
- 555000 GSA
- 555000 GMS
- 555000 GEV
- 555000 GDW
- 555000 SUW

- 555120 GNE
- 555120 GON
- 555120 GAS
- 555120 GMC
- 555120 GBT
- 555120 GCR
- 555120 GSA
- 555120 GMS
- 555120 GEV
- 555120 GDW
- 555120 SUW

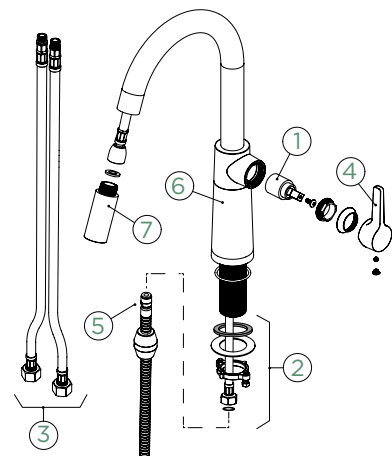
○ = on stock

Note: The aerator key is included in the scope of supply.



Connecting hose: **600 mm**
 Swivel range: **120°**
 Lever position: **on the right**
 Usable shower hose length: **400 mm**
 Features: **Backflow preventer, Jet-spray function, Version in chrome with sleeves**

- 1 628784/1
- 2 628784/2
- 3 628784/3
- 4 628785CHR
- 5 628788/4
- 6 5..22075XX
- 7 628785/7

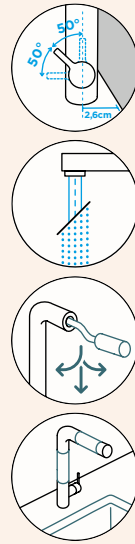
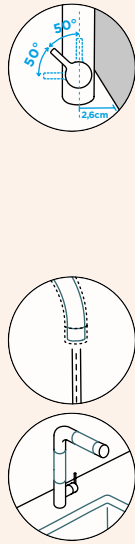


Note: The aerator key is not included in the scope of supply. It can be ordered with the Art.No. 628787/8.



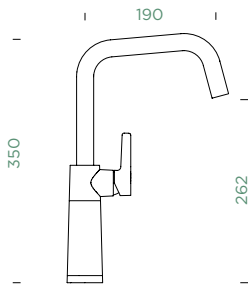
SC-530

FIXED SPOUT



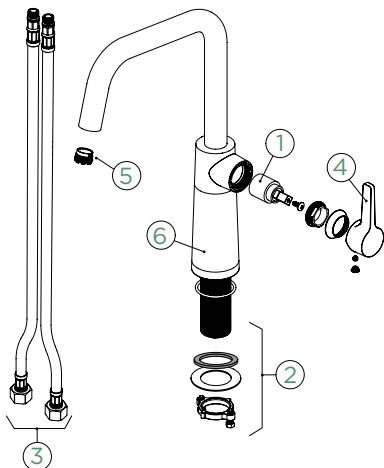
SC-530

PULL-OUT



Connecting hose: **600 mm**
 Swivel range: **360°**
 Lever position: **on the right**
 Features: **Version in chrome with sleeves**

- 1 628784/1
- 2 628784/2
- 3 628784/3
- 4 628785CHR
- 5 628784/5
- 6 5..22075XX



FIXED SPOUT

PULL-OUT

CD CLASSIC LINE

- | | |
|--------------|------------|
| ● 556000 PUR | 556120 PUR |
| ● 556000 MAG | 556120 MAG |
| ● 556000 CAR | 556120 CAR |
| ● 556000 STO | 556120 STO |
| ● 556000 BRO | 556120 BRO |
| ● 556000 SIL | 556120 SIL |
| ● 556000 MGL | 556120 MGL |
| ● 556000 POL | 556120 POL |
| ● 556000 ROU | 556120 ROU |

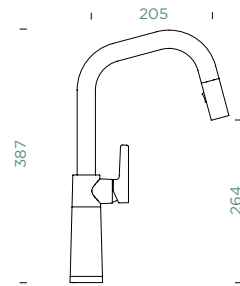
CD GREEN LINE

- | | |
|--------------|------------|
| ○ 556000 DAY | 556120 DAY |
| ● 556000 DSK | 556120 DSK |
| ● 556000 NGT | 556120 NGT |
| ● 556000 TWI | 556120 TWI |

CT BASIC LINE

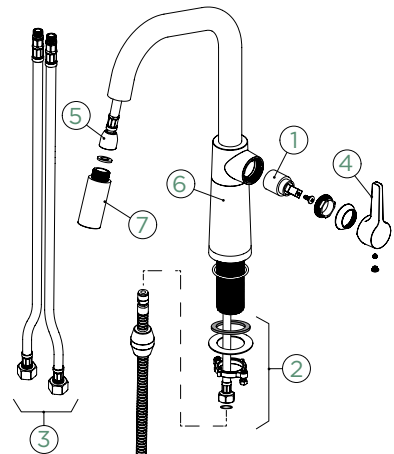
- | | |
|--------------|------------|
| ● 556000 GNE | 556120 GNE |
| ● 556000 GON | 556120 GON |
| ● 556000 GAS | 556120 GAS |
| ● 556000 GMC | 556120 GMC |
| ● 556000 GBT | 556120 GBT |
| ● 556000 GCR | 556120 GCR |
| ● 556000 GSA | 556120 GSA |
| ● 556000 GMS | 556120 GMS |
| ● 556000 GEV | 556120 GEV |
| ● 556000 GDW | 556120 GDW |
| ● 556000 SUW | 556120 SUW |

○ = on stock



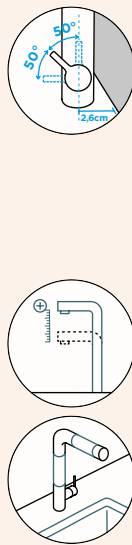
Connecting hose: **600 mm**
 Swivel range: **120°**
 Lever position: **on the right**
 Usable shower hose length: **400 mm**
 Features: **Backflow preventer, Jet-spray function, Version in chrome with sleeves**

- 1 628784/1
- 2 628784/2
- 3 628784/3
- 4 628785CHR
- 5 628788/4
- 6 5..22075XX
- 7 628785/7



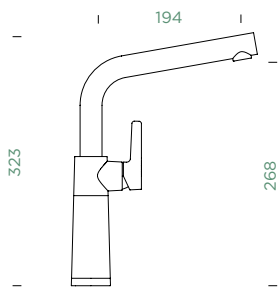
Note: The aerator key is included in the scope of supply.

Note: The aerator key is not included in the scope of supply. It can be ordered with the Art.No. 628787/8.



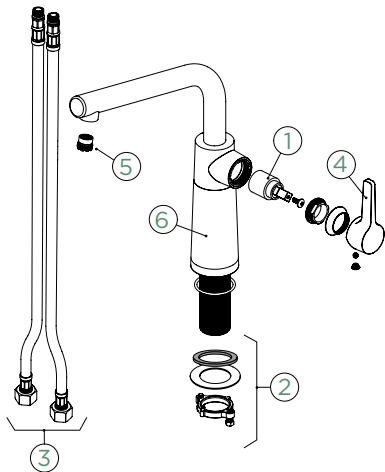
SC-540

FIXED SPOUT



Connecting hose: **600 mm**
 Swivel range: **360°**
 Lever position: **on the right**
 Features: **Version in chrome with sleeves**

- 1 628784/1
- 2 628784/2
- 3 628784/3
- 4 628785CHR
- 5 628785/5
- 6 5..22075XX



FIXED SPOUT	PULL-OUT
--------------------	-----------------

CD CLASSIC LINE

● 557000 PUR	557120 PUR
● 557000 MAG	557120 MAG
● 557000 CAR	557120 CAR
● 557000 STO	557120 STO
● 557000 BRO	557120 BRO
● 557000 SIL	557120 SIL
○ 557000 MGL	557120 MGL
○ 557000 POL	557120 POL
● 557000 ROU	557120 ROU

CD GREEN LINE

○ 557000 DAY	557120 DAY
● 557000 DSK	557120 DSK
● 557000 NGT	557120 NGT
● 557000 TWI	557120 TWI

CT BASIC LINE

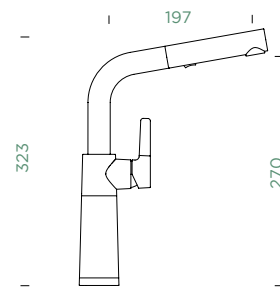
● 557000 GNE	557120 GNE
● 557000 GON	557120 GON
● 557000 GAS	557120 GAS
● 557000 GMC	557120 GMC
● 557000 GBT	557120 GBT
● 557000 GCR	557120 GCR
● 557000 GSA	557120 GSA
● 557000 GMS	557120 GMS
● 557000 GEV	557120 GEV
○ 557000 GDW	557120 GDW
○ 557000 SUW	557120 SUW

○ = on stock



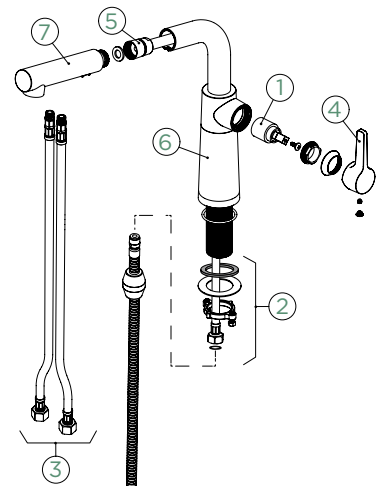
SC-540

PULL-OUT



Connecting hose: **600 mm**
 Swivel range: **120°**
 Lever position: **on the right**
 Usable shower hose length: **600 mm**
 Features: **Backflow preventer, Jet-spray function, Version in chrome with sleeves**

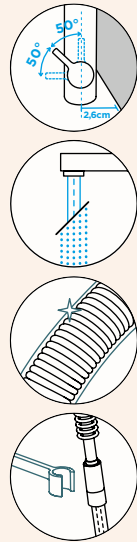
- 1 628784/1
- 2 628784/2
- 3 628784/3
- 4 628785CHR
- 5 628784/4
- 6 5..22075XX
- 7 628784/7





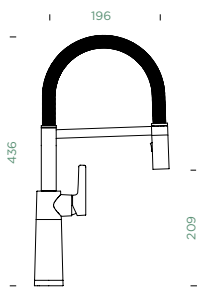
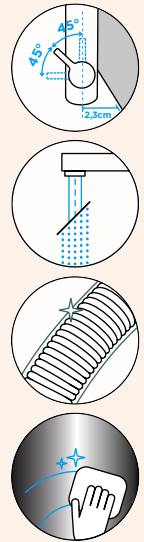
SC-550

FIXED SPOUT



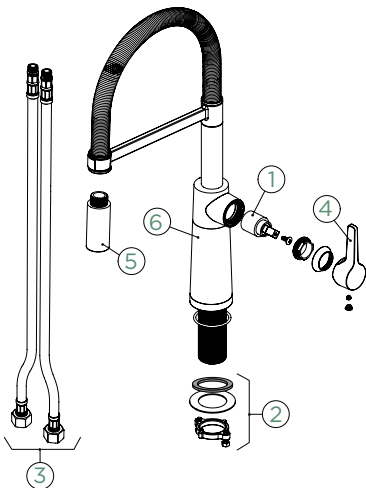
SINA

FIXED SPOUT



Connecting hose: **600 mm**
 Swivel range: **150°**
 Lever position: **on the right**
 Features: **Backflow preventer, Jet-spray function, Version in chrome with sleeves**

- 1 628784/1
- 2 628784/2
- 3 628784/3
- 4 628785CHR
- 5 628787/7
- 6 5..22075XX



FIXED SPOUT

CD CLASSIC LINE

- 558000 PUR
- 558000 MAG
- 558000 CAR
- 558000 STO
- 558000 BRO
- 558000 SIL
- 558000 MGL
- 558000 POL
- 558000 ROU

CD GREEN LINE

- 558000 DAY
- 558000 DSK
- 558000 NGT
- 558000 TWI

CT BASIC LINE

- 558000 GNE
- 558000 GON
- 558000 GAS
- 558000 GMC
- 558000 GBT
- 558000 GCR
- 558000 GSA
- 558000 GMS
- 558000 GEV
- 558000 GDW
- 558000 SUW

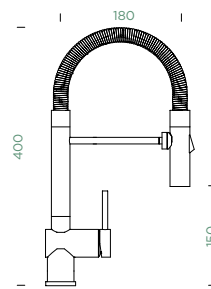
○ = on stock

Note: The aerator key is not included in the scope of supply. It can be ordered with the Art.No. 628787/8.

FIXED SPOUT

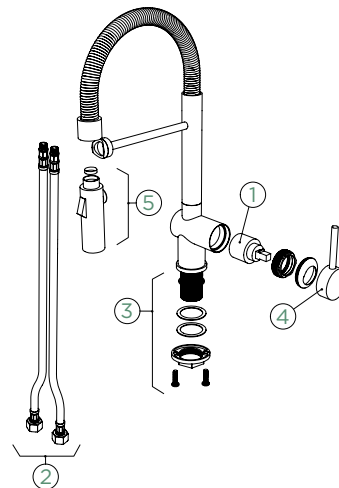
METALLIC

- 515000 EDM



Connecting hose: **450 mm**
 Swivel range: **360°**
 Lever position: **on the right**
 Features: **Backflow preventer, Jet-spray function**

- 1 628778/1
- 2 628749/2
- 3 628797/3
- 4 628797/EDM
- 5 628797/7

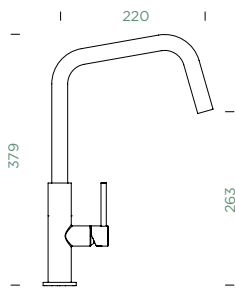
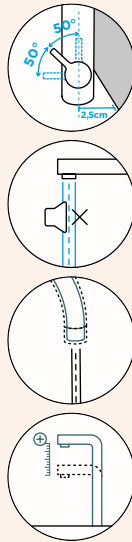


Note: The aerator key is included in the scope of supply.



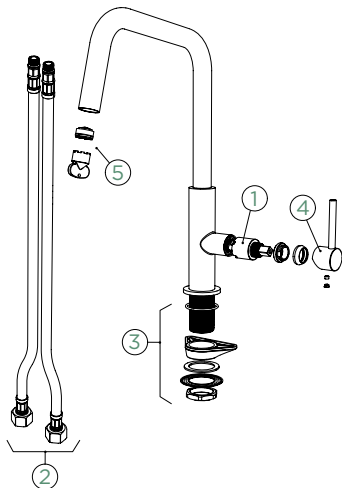
TANOS

FIXED SPOUT



Connecting hose: **500 mm**
 Swivel range: **360°**
 Lever position: **on the right**
 Features: **Ultra-quiet aerator, Colour powder-coated**

- 1 628802/1
- 2 628802/2
- 3 628802/3
- 4 628802/4X
- 5 628802/5



= on stock

Note: The aerator key is included in the scope of supply.

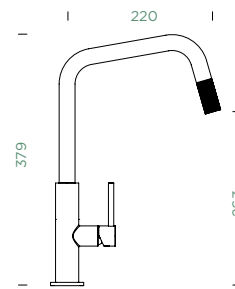


TANOS

PULL-OUT

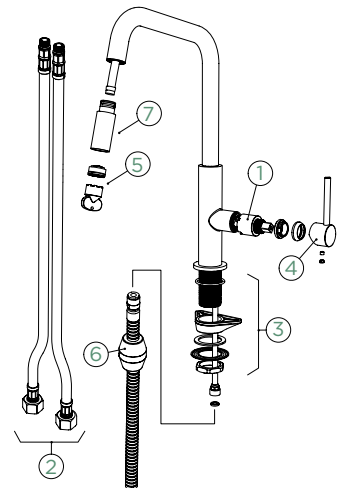


FIXED SPOUT	PULL-OUT
METALLIC	
516000 EDO	516120 EDO
516000 S	516120 S



Connecting hose: **500 mm**
 Swivel range: **360°**
 Lever position: **on the right**
 Usable shower hose length: **400 mm**
 Features: **Ultra-quiet aerator, Colour powder-coated**

- 1 628802/1
- 2 628803/2
- 3 628802/3
- 4 628802/4X
- 5 628802/5
- 6 628802/6
- 7 628802/7X



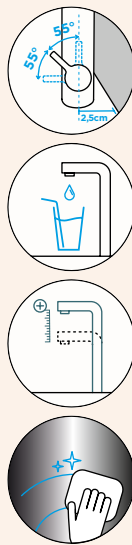
Note: The aerator key is included in the scope of supply.





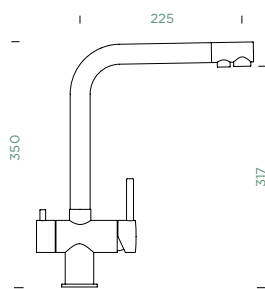
VITUS

FIXED SPOUT



VITUS

PULL-OUT



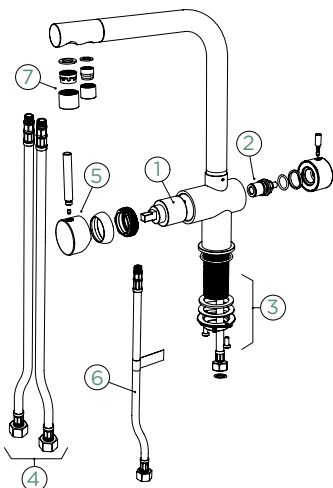
Connecting hose: **450 mm**

Swivel range: **360°**

Lever position: **on the right**

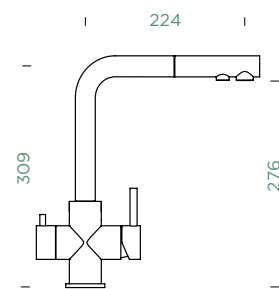
Features: **Drinking water function, Ultra-quiet aerator, Colour lacquered**

- 1 628748/1
- 2 628748/7
- 3 628748/3
- 4 628748/2
- 5 628748/XXX
- 6 628748/6
- 7 628778/5XXX



○ = on stock

FIXED SPOUT	PULL-OUT
METALLIC	
● 560000 EDM	560120 EDM
CD CLASSIC LINE	
● 560027 PUR	560127 PUR



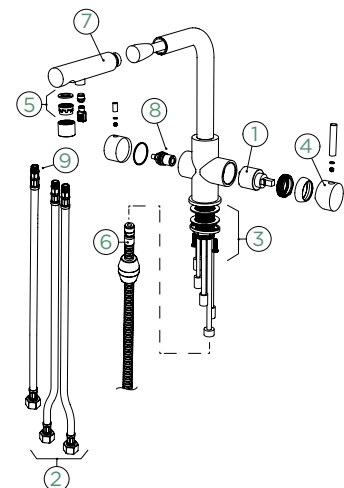
Connecting hose: **450 mm**

Swivel range: **180°**

Lever position: **on the right**

Usable shower hose length: **400 mm**
Features: **Drinking water function, Ultra-quiet aerator, Colour lacquered**

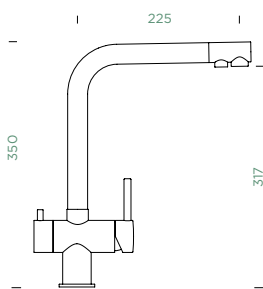
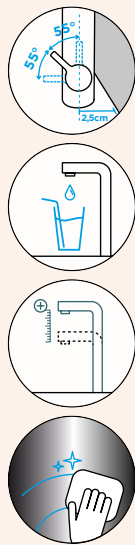
- 1 628778/1
- 2 628748/2
- 3 628779/9
- 4 628748/XXX
- 5 628779/8
- 6 628779/6
- 7 628779/7XXX
- 8 628748/7
- 9 628748/6





VITUS

FIXED SPOUT



Connecting hose: 450 mm

Swivel range: 360°

Lever position: **on the right**

Features: **Drinking water function, Ultra-quiet aerator, Colour lacquered**

- 1 628748/1
- 2 628748/7
- 3 628748/3
- 4 628748/2
- 5 628748/XXX
- 6 628748/6
- 7 628778/5XXX

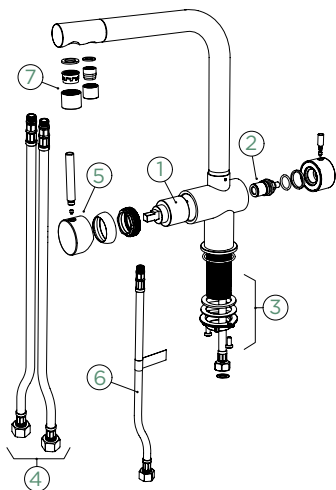
FIXED SPOUT

CD CLASSIC LINE

- 560000 PUR
- 560000 MAG
- 560000 BRO
- 560000 SIL
- 560000 MGL
- 560000 POL

CT BASIC LINE

- 560000 GNE
- 560000 GON
- 560000 GAS
- 560000 GMC
- 560000 GBT
- 560000 GCR
- 560000 GSA
- 560000 GMS
- 560000 GEV
- 560000 GDW



○ = on stock

Soap dispenser



Amur



Bela



Ladon



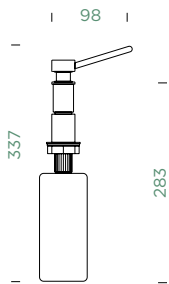
Samo



AMUR



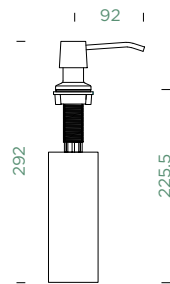
BELA



Spout length: **98 mm**
 Height: **337 mm**
 Spout height: **52 mm**
 Filling capacity: **480 ml**
 Needed cabinet space: **283 mm**

METALLIC

● 629014

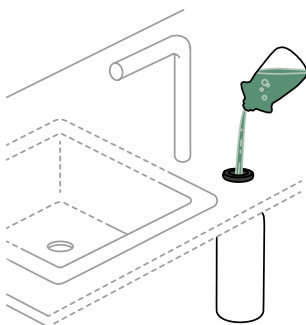


Spout length: **92 mm**
 Height: **292 mm**
 Spout height: **51 mm**
 Filling capacity: **500 ml**
 Needed cabinet space: **225,5 mm**

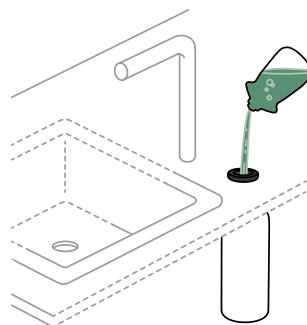
METALLIC

● 629180 PL

FILLING:
 Filling from top



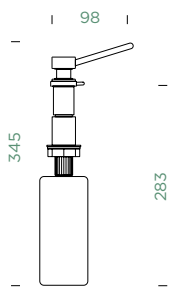
FILLING:
 Filling from top



○ = on stock



LADON

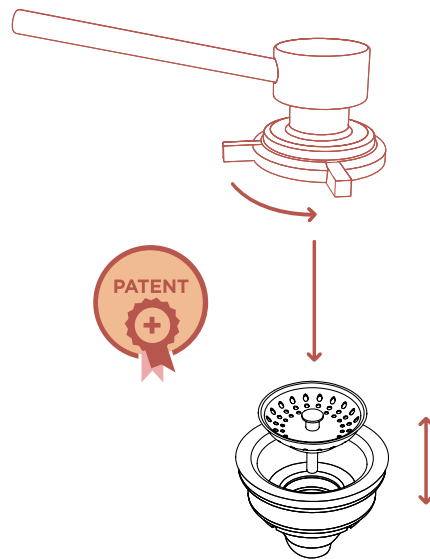


Spout length: **98 mm**
 Height: **345 mm**
 Spout height: **62 mm**
 Filling capacity: **270 ml**
 Needed cabinet space: **283 mm**

METALLIC

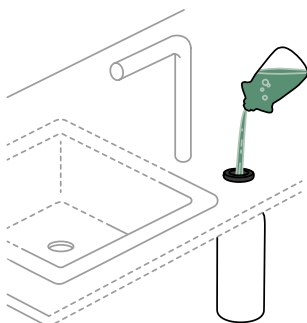
629016

2-IN-1 COMBINATION OF POP-UP CONTROL AND SOAP DISPENSER

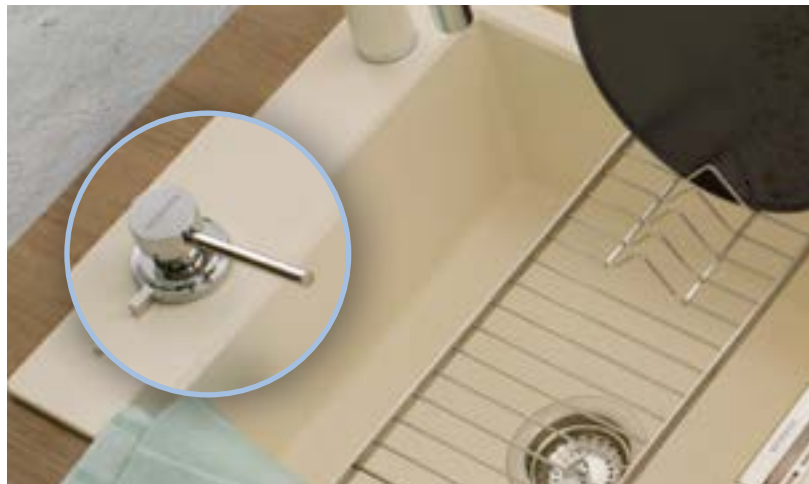


So practical: **only one tap hole needed!**
 No more washing-up liquid bottles in the way and easy to refill from the top.

FILLING:
 Filling from top

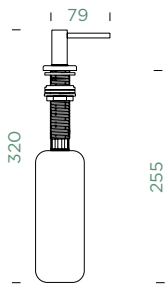


○ = on stock





SAMO

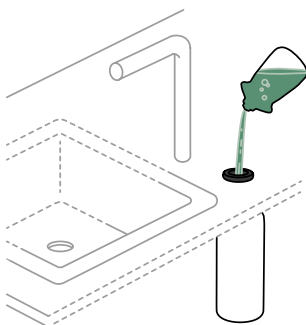


Spout length: **79 mm**
 Height: **320 mm**
 Spout height: **65 mm**
 Filling capacity: **500 ml**
 Needed cabinet space: **255 mm**

METALLIC

- 629169 CHR
- 629169 EDM
- 629169 WGO
- 629169 COP
- 629169 GUM
- 629169 S

FILLING:
 Filling from top



○ = on stock



SCHOCK

Accessories



CHOPPING BOARDS



Chopping board, bamboo

Article number: **629044**
540 × 300 × 25 mm



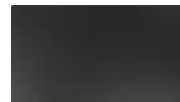
Chopping board, bamboo

Article number: **629052**
290 × 210 × 18 mm



Chopping board, wood

Article number: **629134**
300 × 530 × 23 mm



Chopping board Fibre-Rock

Article number: **629184**
300 × 542 × 19.3 mm

Brooklyn N-175
Campus D-100
Campus D-100L
Campus D-150
Campus D-200
Campus N-200
City D-100
City D-100L
City D-150
City D-200
City N-200
Classic N-150
Classic N-150Y
Element D-100L
Element D-100S
Element D-150
Element D-150L
Element D-200
Element N-200
Epure D-100
Epure D-100L
Epure D-150
Epure D-200
Formhaus D-100
Formhaus D-100L
Formhaus D-100LS
Formhaus D-100S
Formhaus D-150
Formhaus D-150L
Formhaus D-200
Formhaus N-200
Formhaus N-200S
Horizont N-200
Imago D-100
Imago D-100L
Imago D-150
Imago D-200
Kyoto D-100
Kyoto D-100L
Kyoto D-150
Kyoto D-200
Lima D-100S
Lithos D-100
Lithos D-100L
Lithos D-100S
Lithos D-150
Lithos N-200
Lithos N-200S
Lotus D-100
Lotus D-150
Manhattan D-100
Manhattan D-150S
Modena D-200
Opus D-100
Opus D-150
Opus D-200
Pinedo D-100
Pinedo D-100L
Pinedo D-100XS
Pinedo D-150
Primus C-200
Primus D-100
Primus D-100L
Primus D-150
Primus D-200
Primus N-100XL
Primus N-200
Ronda D-100
Ronda D-100L
Ronda D-100XL

Signus C-150
Signus D-100
Signus D-100L
Signus D-150
Signus D-175
Signus D-200
Signus N-100XL
Signus N-200
Tia D-100
Tia D-100L
Tia D-100LS
Toledo D-100
Toledo D-100L
Toledo D-100XS
Toledo D-150
Toledo D-200
Typos C-150
Typos D-100
Typos D-100L
Typos D-150
Typos D-200
Typos N-200
Viola D-100
Viola D-100L
Viola D-100S
Viola D-150
Viola D-200
Viola N-200
Viola N-200S
Waterfall D-100
Waterfall D-150
Waterfall D-200

Manhattan D-100S
Manhattan D-100XS

Wembley D-100
Wembley D-100L
Wembley D-150
Wembley D-200

Brooklyn N-175
Casa D-100
Casa D-125
City D-100
City D-100L
City D-200
Element D-100L
Element D-100S
Element D-150
Element D-150L
Element D-200
Element N-200
Formhaus D-100
Formhaus D-100L
Formhaus D-100LS
Formhaus D-100S
Formhaus D-150L
Formhaus D-200
Formhaus N-200
Formhaus N-200S
Horizont D-100
Horizont D-100S
Horizont D-150
Horizont N-200
Imago D-100
Imago D-100L
Imago D-150
Imago D-200
Kyoto D-100
Kyoto D-100L
Kyoto D-150
Kyoto D-200
Lima D-100S
Lithos D-100
Lithos D-100L
Lithos D-150
Lithos D-200
Lithos N-200
Lithos N-200S
Lotus D-100
Lotus D-150
Manhattan D-150S
Pinedo D-100
Pinedo D-100L
Pinedo D-100XS
Pinedo D-150
Primus D-100
Primus D-100L
Primus D-150
Primus D-200
Primus N-200
Ronda D-100
Ronda D-100L
Ronda D-100XL

Signus C-150
Signus D-100
Signus D-100L
Signus D-150
Signus D-175
Signus D-200
Signus N-100XL
Signus N-175
Signus N-200
Tia D-100
Tia D-100L
Tia D-100LS
Toledo D-100
Toledo D-100L
Toledo D-100S
Toledo D-100XS
Toledo D-150
Toledo D-200
Typos D-100
Typos D-100L
Typos D-150
Typos D-200
Typos N-200
Venus N-200
Viola D-100
Viola D-100L
Viola D-100S
Viola D-150
Viola D-200
Viola N-200
Viola N-200S
Waterfall D-100
Waterfall D-150
Waterfall D-200

NEW



Chopping board, bamboo

Article number: **629145**
480 × 240 × 23.5 mm



Chopping board, bamboo

Article number: **629159**
367 × 260 × 18 mm

Mono D-100
Mono D-100L
Mono D-100S
Mono D-100XS
Mono D-150
Mono D-175
Mono D-200

Mono N-100
Mono N-100S
Nemo N-100
Nemo N-100S

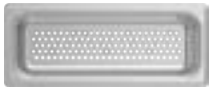


Chopping board, wood

Article number: **629158**
395 × 395 × 20 mm

Brooklyn N-100XL
Brooklyn N-200
Greenwich N-100XL
Greenwich N-200
Horizont D-100
Horizont D-100S
Horizont D-150
Horizont N-200
Kiruna N-100
Kiruna N-100L
Kiruna N-100XL
Lahti N-100
Lahti N-100L
Lahti N-100XL
Prepstation D-150

GASTRONORM



**Gastronorm Container
GN 2/8**

Article number: **629060**
325 × 132 × 65 mm

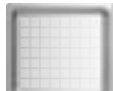
Brooklyn N-100XL
Brooklyn N-200
Greenwich N-100XL
Greenwich N-200
Horizont D-150
Horizont N-200
Imago D-100
Imago D-100L
Imago D-150
Imago D-200
Kiruna N-100
Kiruna N-100L
Kiruna N-100XL
Kyoto D-100
Kyoto D-100L
Kyoto D-150
Kyoto D-200
Lahti N-100
Lahti N-100L
Lahti N-100XL
Mono N-100
Mono N-100S
Nemo N-100
Nemo N-100S
Prepstation D-150
Tia D-100
Tia D-100L
Tia D-100LS



**Gastronorm Container
GN 2/8**

stainless steel
Article number: **629061**
325 × 132 × 65 mm

Brooklyn N-100XL
Brooklyn N-200
Greenwich N-100XL
Horizont D-150
Horizont N-200
Imago D-100
Imago D-100L
Imago D-150
Imago D-200
Kiruna N-100
Kiruna N-100L
Kiruna N-100XL
Kyoto D-100
Kyoto D-100L
Kyoto D-150
Kyoto D-200
Lahti N-100
Lahti N-100L
Lahti N-100XL
Mono N-100
Mono N-100S
Nemo N-100
Nemo N-100S
Prepstation D-150
Tia D-100
Tia D-100L
Tia D-100LS



**Gastronorm Container
GN 2/3**

stainless steel
Article number: **629063**
354 × 325 × 65 mm

Gastronorm GN
2/3Brooklyn N-100XL
Brooklyn N-200
Greenwich N-100XL
Greenwich N-200
Horizont D-150
Horizont N-200
Kiruna N-100
Kiruna N-100L
Kiruna N-100XL
Kyoto D-100
Kyoto D-100L
Kyoto D-150
Kyoto D-200
Lahti N-100
Lahti N-100L
Lahti N-100XL
Mono N-100
Mono N-100S
Nemo N-100
Nemo N-100S
Prepstation D-150



Carrier

Article number: **629146**
316 × 394 × 5 mm

Brooklyn N-100XL
Brooklyn N-200
Greenwich N-100XL
Greenwich N-200
Horizont D-150
Horizont N-200
Kiruna N-100
Kiruna N-100L
Kiruna N-100XL
Kyoto D-100
Kyoto D-100L
Kyoto D-150
Kyoto D-200
Lahti N-100
Lahti N-100L
Lahti N-100XL
Prepstation D-150



Carrier

Article number: **629151**
344 × 363 × 5 mm

Mono N-100
Mono N-100S
Nemo N-100
Nemo N-100S



Multifunctional rack

Article number: **629727**
126 × 438 × 5 mm

Tia D-100
Tia D-100L
Tia D-100LS

BOWL & CONTAINERS

NEW



Strainer bowl

Article number: **629017**
368 × 185 × 110 mm



Corner bowl

Article number: **629733**
368 × 135 × 102 mm

Mono N-100
Mono N-100S
Nemo N-100
Nemo N-100S

Brooklyn N-100
Brooklyn N-100L
Brooklyn N-100XL
Brooklyn N-175
Brooklyn N-200
Carbon N-100
Carbon N-100S
Carbon N-100XL
Edo N-175
Edo N-175Y
Element D-100L
Element D-100S
Element D-150
Element D-150L
Element D-200
Element N-200
Formhaus D-100
Formhaus D-100L
Formhaus D-100LS
Formhaus D-100S
Formhaus D-150L
Galaxy N-100
Galaxy N-100L
Galaxy N-100LY
Galaxy N-100Y
Gemo N-100
Gemo N-100Y
Greenwich N-100
Greenwich N-100L
Greenwich N-100S
Greenwich N-100XL
Greenwich N-200
Horizont D-100
Horizont D-100S
Horizont D-150
Horizont N-200
Kiruna N-100
Kiruna N-100L
Kiruna N-100XL
Lahti N-100
Lahti N-100L
Lahti N-100XL
Madison N-175
Madison N-200
Madison N-200Y
Manhattan D-100L
Manhattan D-100S
Manhattan D-100XS
Manhattan D-150S
Mono D-100
Mono D-100L
Mono D-100S
Mono D-100XS
Mono D-150
Mono D-200
Mono N-100
Mono N-100S
Montano N-100XL
Montano N-100XLY
Nemo N-100
Nemo N-100S

Pinedo D-100
Pinedo D-100L
Pinedo D-100XS
Pinedo D-150
Prepstation D-150
Primus D-100
Primus D-100L
Primus D-150
Primus D-200
Primus N-100XL
Primus N-100XLY
Quadro N-100
Quadro N-100S
Quadro N-150
Quadro N-150Y
Ronda D-100
Ronda D-100L
Ronda D-100XL
Signus D-100
Signus D-100L
Signus D-150
Signus D-175
Signus D-200
Signus N-100XL
Signus N-100XLY
Soho N-100
Soho N-100S
Soho N-150
Toledo D-100
Toledo D-100L
Toledo D-100XS
Toledo D-150
Toledo D-200
Typos D-100
Typos D-100L
Typos D-100S
Typos D-150
Typos D-150S
Typos D-200
Typos N-200
Virtus N-100
Virtus N-100S
Virtus N-100XL
Virtus N-100XLY
Virtus N-100XS
Waterfall D-100
Waterfall D-150



Strainer bowl

Article number: **629043**
345 × 188 × 110 mm

Primus D-150
Signus D-150
Typos D-150



Strainer bowl

Article number: **629057**
365 × 263 × 112 mm

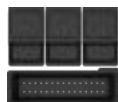
Lotus C-150



Strainer bowl

Article number: **629111**
425 × 153 × 125 mm

Brooklyn N-100
Brooklyn N-100L
Brooklyn N-100S
Greenwich N-100
Greenwich N-100L
Greenwich N-100S



Functional bowl set Tia (7 parts)

Article number: **629728**
131 × 437 × 115 mm

Tia D-100
Tia D-100L
Tia D-100LS

DRAINERS

NEW



Silicone Drain Mat

Article number: **629188**
400 × 415 × 9 mm



Silicone Drain Mat short

Article number: **629189**
408 × 303 × 12 mm



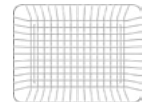
Carrier

Article number: **629138**
499 × 187 × 49 mm

Alive N-175Y
Alive N-200Y
Ash N-175
Ash N-200
Brooklyn N-100
Brooklyn N-100L
Brooklyn N-100S
Brooklyn N-100XL
Brooklyn N-175
Brooklyn N-200
Carbon N-100
Carbon N-100S
Carbon N-100XL
Carbon N-175
Charlotte N-200
Chelsea N-100XL
Chelsea N-200
Crest N-175
Crest N-175Y
Crest N-200
Crest N-200Y
Edo N-175
Edo N-175Y
Edo N-200Y
Element N-200
Euro N-100
Galaxy N-100
Galaxy N-100L
Galaxy N-100LY
Galaxy N-100Y
Gemo N-100
Gemo N-100Y
Greenwich N-100
Greenwich N-100L
Greenwich N-100S
Greenwich N-100XL
Greenwich N-150
Greenwich N-200
Impulse N-175
Impulse N-200
Inspiration N-175
Kiruna N-100
Kiruna N-100L
Kiruna N-100XL
Lahti N-100
Lahti N-100L
Lahti N-100XL
Madison N-175
Madison N-175Y
Madison N-200
Madison N-200Y
Manhattan N-150
Mono N-100
Mono N-100S
Montano N-100XL
Montano N-100XLY
Nemo N-100S
Prepstation D-150
Primus N-100XL
Primus N-100XLY
Primus N-200
Quadro N-100
Quadro N-100S
Quadro N-150
Quadro N-150Y
Signus N-100XL
Signus N-100XLY
Signus N-175
Signus N-200
Soho N-100
Soho N-100S
Soho N-150
Solido N-100
Solido N-175
Supra N-175

Alive N-175Y
Alive N-200Y
Ash N-175
Ash N-200
Brooklyn N-100
Brooklyn N-100L
Brooklyn N-100S
Brooklyn N-100XL
Brooklyn N-175
Brooklyn N-200
Carbon N-100
Carbon N-100S
Carbon N-100XL
Carbon N-175
Charlotte N-200
Chelsea N-100XL
Chelsea N-200
Crest N-175
Crest N-175Y
Crest N-200
Crest N-200Y
Edo N-175
Edo N-175Y
Edo N-200Y
Element N-200
Euro N-100
Galaxy N-100
Galaxy N-100L
Galaxy N-100LY
Galaxy N-100Y
Gemo N-100
Gemo N-100Y
Greenwich N-100
Greenwich N-100L
Greenwich N-100S
Greenwich N-100XL
Greenwich N-150
Greenwich N-200
Impulse N-175
Impulse N-200
Inspiration N-175
Kiruna N-100
Kiruna N-100L
Kiruna N-100XL
Lahti N-100
Lahti N-100L
Lahti N-100XL
Madison N-175
Madison N-175Y
Madison N-200
Madison N-200Y
Manhattan N-150
Mono N-100
Mono N-100S
Montano N-100XL
Montano N-100XLY
Nemo N-100S
Prepstation D-150
Primus N-100XL
Primus N-100XLY
Primus N-200
Quadro N-100
Quadro N-100S
Quadro N-150
Quadro N-150Y
Signus N-100XL
Signus N-100XLY
Signus N-175
Signus N-200
Soho N-100
Soho N-100S
Soho N-150
Solido N-100
Solido N-175
Supra N-175

Mono D-100XS



Wire basket

Article number: **629171**
415 × 320 × 155 mm

Element N-200
Primus C-150
Primus C-200
Primus D-100
Primus D-100L
Primus D-150
Primus D-200
Primus N-200
Quadro N-100
Signus C-150
Signus D-100
Signus D-100L
Signus D-150
Signus D-200
Soho N-100
Typos D-100
Typos D-100L
Typos D-200
Typos N-200

DRAINERS



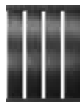
Design Drip Rack

Article number:
629725COP
336 × 480 × 12 mm



Design Drip Rack

Article number:
629725EDM
336 × 480 × 12 mm



Design Drip Rack

Article number:
629725S
336 × 480 × 12 mm



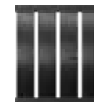
Design Drip Rack

Article number:
629726COP
336 × 392 × 12 mm



Design Drip Rack

Article number:
629726EDM
336 × 392 × 12 mm



Design Drip Rack

Article number:
629726S
336 × 392 × 12 mm

Alive N-175
Alive N-200
Kyoto D-100
Kyoto D-100L
Kyoto D-150
Kyoto D-200
Mono D-100
Mono D-100L
Mono D-100S
Mono D-100XS
Mono D-150
Mono D-175
Mono D-200
Pinedo D-100
Pinedo D-100L
Pinedo D-100XS
Pinedo D-150
Signus C-150
Signus D-100
Signus D-100L
Signus D-150
Signus D-175
Signus D-200
Signus N-100XL
Signus N-175
Signus N-200
Tia D-100
Tia D-100L
Tia D-100LS
Toledo D-100
Toledo D-100L
Toledo D-100S
Toledo D-100XS
Toledo D-150
Toledo D-200
Waterfall D-100
Waterfall D-150
Waterfall D-200
Wembley D-100
Wembley D-100L
Wembley D-150
Wembley D-200

Alive N-175
Alive N-200
Kyoto D-100
Kyoto D-100L
Kyoto D-150
Kyoto D-200
Mono D-100
Mono D-100L
Mono D-100S
Mono D-100XS
Mono D-150
Mono D-175
Mono D-200
Pinedo D-100
Pinedo D-100L
Pinedo D-100XS
Pinedo D-150
Signus C-150
Signus D-100
Signus D-100L
Signus D-150
Signus D-175
Signus D-200
Signus N-100XL
Signus N-175
Signus N-200
Tia D-100
Tia D-100L
Tia D-100LS
Toledo D-100
Toledo D-100L
Toledo D-100S
Toledo D-100XS
Toledo D-150
Toledo D-200
Waterfall D-100
Waterfall D-150
Waterfall D-200
Wembley D-100
Wembley D-100L
Wembley D-150
Wembley D-200

Alive N-175
Alive N-200
Kyoto D-100
Kyoto D-100L
Kyoto D-150
Kyoto D-200
Mono D-100
Mono D-100L
Mono D-100S
Mono D-100XS
Mono D-150
Mono D-175
Mono D-200
Pinedo D-100
Pinedo D-100L
Pinedo D-100XS
Pinedo D-150
Signus C-150
Signus D-100
Signus D-100L
Signus D-150
Signus D-175
Signus D-200
Signus N-100XL
Signus N-175
Signus N-200
Tia D-100
Tia D-100L
Tia D-100LS
Toledo D-100
Toledo D-100L
Toledo D-100S
Toledo D-100XS
Toledo D-150
Toledo D-200
Waterfall D-100
Waterfall D-150
Waterfall D-200
Wembley D-100
Wembley D-100L
Wembley D-150
Wembley D-200

Brooklyn N-100XL
Brooklyn N-200
Greenwich N-100XL
Greenwich N-200
Horizon D-100
Horizon D-100S
Horizon D-150
Horizon N-200
Kiruna N-100
Kiruna N-100L
Kiruna N-100XL
Lahti N-100
Lahti N-100L
Lahti N-100XL
Prepstation D-150

Brooklyn N-100XL
Brooklyn N-200
Greenwich N-100XL
Greenwich N-200
Horizon D-100
Horizon D-100S
Horizon D-150
Horizon N-200
Kiruna N-100
Kiruna N-100L
Kiruna N-100XL
Lahti N-100
Lahti N-100L
Lahti N-100XL
Prepstation D-150

Brooklyn N-100XL
Brooklyn N-200
Greenwich N-100XL
Greenwich N-200
Horizon D-100
Horizon D-100S
Horizon D-150
Horizon N-200
Kiruna N-100
Kiruna N-100L
Kiruna N-100XL
Lahti N-100
Lahti N-100L
Lahti N-100XL
Prepstation D-150

DRAINERS

NEW

NEW

NEW



2x2 Design Drip Rack

2x2 Design Drip Rack

2x2 Design Drip Rack

2x2 Design Drip Rack

Article number:

629724EDM

80 × 450 × 12 mm

Article number:

629724S

80 × 450 × 12 mm

Article number:

629738S

80 × 392 × 12 mm

Article number:

629738EDM

80 × 392 × 12 mm

Greenwich N-100
Greenwich N-100L
Greenwich N-100S
Greenwich N-100XL
Greenwich N-150
Kyoto D-100
Kyoto D-150
Signus C-150
Signus D-100
Signus D-100L
Signus D-150
Signus D-175
Signus D-200
Signus N-100XL
Signus N-175
Signus N-200
Toledo D-100
Toledo D-100L
Toledo D-100XS
Toledo D-150
Toledo D-200
Waterfall D-100
Waterfall D-150
Wembley D-100
Wembley D-100L
Wembley D-150
Wembley D-200

Greenwich N-100
Greenwich N-100L
Greenwich N-100S
Greenwich N-100XL
Greenwich N-150
Kyoto D-100
Kyoto D-150
Signus C-150
Signus D-100
Signus D-100L
Signus D-150
Signus D-175
Signus D-200
Signus N-100XL
Signus N-175
Signus N-200
Toledo D-100
Toledo D-100L
Toledo D-100XS
Toledo D-150
Toledo D-200
Waterfall D-100
Waterfall D-150
Wembley D-100
Wembley D-100L
Wembley D-150
Wembley D-200

Brooklyn N-100XL
Brooklyn N-200
Greenwich N-200
Horizont D-100
Horizont D-100S
Horizont D-150
Horizont N-200
Kiruna N-100
Kiruna N-100L
Kiruna N-100XL
Lahti N-100
Lahti N-100L
Lahti N-100XL
Prepstation D-150

Brooklyn N-100XL
Brooklyn N-200
Greenwich N-200
Horizont D-100
Horizont D-100S
Horizont D-150
Horizont N-200
Kiruna N-100
Kiruna N-100L
Kiruna N-100XL
Lahti N-100
Lahti N-100L
Lahti N-100XL
Prepstation D-150

DESIGN UPGRADES

**Wastecap**

Elegant trim in brushed stainless steel to cover the plughole

**Comfopush, CHR**

To automatically open and close the plughole at the push of a button - round shaped. Suitable for all SCHOCK sinks except models in the Formhaus, Typos and Element range

**Comfopush, EDM**

To automatically open and close the plughole at the push of a button - round shaped. Suitable for all SCHOCK sinks except models in the Formhaus, Typos and Element range

**LED light (set of 2)**

Modern, energy-efficient LED lighting as a direct light source in the sink

**LED for sink on the right**

Modern, energy-efficient LED lighting as a direct light source in the sink

**LED for sink on the left**

Modern, energy-efficient LED lighting as a direct light source in the sink

Order number: **628152**

Article number:
629891CHR

Article number:
629891EDM

Article number: **629024**

Article number: **629024/R**

Article number: **629024/L**

For all models except the Perfect Drain ranges Brooklyn, Greenwich, Prepstation, Tia and Wembley.
3 1/2 inch pop-up basket strainer waste required

For sink on the right

For sink on the left

FUNCTIONAL UPGRADES

**Diamond drill SB light****Pre-drilled hole****Coarse particle filter SF-100 2 pcs**

For long-term protection for cartridge and aerator

**Coarse particle filter SF-100**

Suitable for all SCHOCK taps. One SF filter needed per angle valve.

**Trap**

1 1/2 inch, with connector for dishwasher

**Indutherm**

Heat source for the draining board, can be combined with pop-up control 629843/CHR, 629843/COP, 629843/EDM or 629843/GUM
As a heat source for warming plates or drying the washing-up quickly

Article number: **629095**

Article number: **629004**

Bestellnr.: **629883**

Article number: **629883/1**

Article number: **629229**

Article number: **629100**

For pop-up control, tap and soap dispenser; see drawing for position
Order number: 629004
Specify hole position with your order: 629004/a, 629004/b, 629004/c, 629004/d, 629004/e

Suitable for all SCHOCK taps. One SF filter needed per angle valve.

Suitable for all SCHOCK taps. One SF filter needed per angle valve.

1 1/2 inch, with connector for dishwasher

Kyoto D-100
Kyoto D-100L
Kyoto D-150
Kyoto D-200
Mono D-100
Mono D-100L
Mono D-200
Prepstation D-150
Tia D-100
Tia D-100L
Tia D-100LS
Wembley D-100
Wembley D-100L
Wembley D-150
Wembley D-200

CLEAN & CARE



EasyCare Set - Update 2023

Article number: **629735**



Mini Care Set

Keeps all sinks clean and looking good - protects against scale build-up and residues

Article number: **629093**



Magic Sponge

To remove metal scuff marks easily

Article number: **629023**



Pro Care

Contents: ProCare Paste (1x30 ml), 2 soft cloths, instructions

Article number: **629099**

CLEAN & CARE

UPDATE

UPDATE



EasyCare Set - Update 2023

Keeps all sinks clean and looking good - protects against scale build-up and residues
Contents: EasyCare Descaler 250 ml, EasyCare Balm 250 ml, 3 Magic Sponges, instructions

Article number: **629735**



EasyCare Descaler - Update 2023

Keeps all sinks clean and looking good - protects against scale build-up and residues
Contents: EasyCare Descaler 250 ml
Ingredients: <5% non-ionic surfactants, fragrances

Article number: **629734**



EasyCare Balm 250 ml

Contents: Easy Care Balm 250 ml bottle

Article number: **629182**



CARE SCHOCK

Cardboard display for SCHOCK care products
Contents: 10x SCHOCK Easy Care Balm, 9x SCHOCK Easy Care Descaler plus a box of 16 Magic Sponges

Article number: **WE-0275**



WE-0271

100% cotton tea towel

Article number: **WE-0271**



Kitchen helpers set

3-piece set with sustainable kitchen accessories

Article number: **WE-0282**

USAGE: Active Cleaning Tab in Mini Care Set 629093

INGREDIENTS: <5% non-ionic surfactants, 5-15% oxygen-based bleaching agents, <5% polycarboxylates, enzymes, perfumes (allergenic fragrances: d-limonene (LIMONENE))

WARNING - SAFETY INSTRUCTIONS: If medical advice is needed, have product container or label at hand. - Keep out of the reach of children. Wear protective gloves/protective clothing/eye protection/face protection. - In case of contact with skin: Wash with plenty of water. - In case of skin irritation: Seek medical advice/attention. - In case of contact with eyes: Rinse cautiously with water for several minutes. Remove contact lenses if possible. Continue rinsing. - If eye irritation persists: Seek medical advice/attention.

NOTE ON USE: When using cleaning and care products, all usual precautionary measures such as skin protection or eye protection must be observed! Do not mix care and cleaning agents! No liability can be accepted in the event of improper use.

ATTENTION: Always keep cleaning and care products away from children!

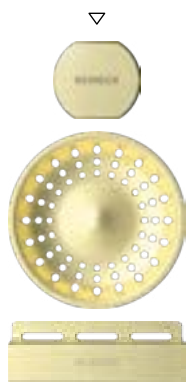
TRIM PARTS

Trim parts consisting of rotary handle for eccentric actuation, drainage cup and overflow cover(s) matching the sink model

Stainless steel

**EDM**

White Gold

**WGO**

Copper

**COP**

Gunmetal

**GUM**

Puro

**PUR**

Suitable for:
Pinedo D-150
Signus C-150
Toledo D-150
Toledo D-200

Solide Stainless Steel	629305EDM
White Gold	629305WGO
Copper	629305COP
Gunmetal	629305GUM
Puro	629305PUR

Suitable for:
Mono N-100
Mono N-100S
Pinedo D-100
Pinedo D-100L
Pinedo D-100XS
Toledo D-100
Toledo D-100L
Toledo D-100S
Toledo D-100XS

Solide Stainless Steel	629313EDM
White Gold	629313WGO
Copper	629313COP
Gunmetal	629313GUM
Puro	629313PUR

Suitable for:
Grando M-100

Solide Stainless Steel	629306EDM
White Gold	629306WGO
Copper	629306COP
Gunmetal	629306GUM
Black	629306PUR

Suitable for:
Kyoto D-100
Kyoto D-100L

Solide Stainless Steel	629338EDM
White Gold	629338WGO
Copper	629338COP
Gunmetal	629338GUM
Puro	629338PUR

Suitable for:
Carbon N-100
Carbon N-100S
Carbon N-100XL
Kiruna N-100
Kiruna N-100L
Kiruna N-100XL
Signus N-100XL
Signus N-100XLY
Soho N-100
Soho N-100S

Solide Stainless Steel	629307EDM
White Gold	629307WGO
Copper	629307COP
Gunmetal	629307GUM
Puro	629307PUR

Suitable for:
Kyoto D-150

Solide Stainless Steel	629340EDM
White Gold	629340WGO
Copper	629340COP
Gunmetal	629340GUM
Puro	629340PUR

Suitable for: Lotus C-150	Solide Stainless Steel	629349EDM
	White Gold	629349WGO
	Copper	629349COP
	Gunmetal	629349GUM
	Puro	629349PUR

Suitable for: Mono D-150 Mono D-175	Solide Stainless Steel	629388EDM
	White Gold	629388WGO
	Copper	629388COP
	Gunmetal	629388GUM
	Puro	629388PUR

Suitable for: Waterfall D-150 Waterfall D-200	Solide Stainless Steel	629366EDM
	White Gold	629366WGO
	Copper	629366COP
	Gunmetal	629366GUM
	Puro	629366PUR

Suitable for: Greenwich N-100 Greenwich N-100L Greenwich N-100S Greenwich N-100XL	Solide Stainless Steel	629392EDM
	White Gold	629392WGO
	Copper	629392COP
	Gunmetal	629392GUM
	Puro	629392PUR

Suitable for: Horizont D-100S	Solide Stainless Steel	629368EDM
	White Gold	629368WGO
	Copper	629368COP
	Gunmetal	629368GUM
	Puro	629368PUR

Suitable for: Wembley D-100 Wembley D-100L	Solide Stainless Steel	629614EDM
	White Gold	629614WGO
	Copper	629614COP
	Gunmetal	629614GUM
	Puro	629614PUR

Suitable for: Horizont D-100 Signus D-100 Signus D-100L Waterfall D-100	Solide Stainless Steel	629371EDM
	White Gold	629371WGO
	Copper	629371COP
	Gunmetal	629371GUM
	Puro	629371PUR

Suitable for: Wembley D-150 Wembley D-200	Solide Stainless Steel	629618EDM
	White Gold	629618WGO
	Copper	629618COP
	Gunmetal	629618GUM
	Puro	629618PUR

Suitable for: Horizont D-150 Horizont N-200 Kallio M-175 Signus D-150 Signus D-200 Signus N-200	Solide Stainless Steel	629373EDM
	White Gold	629373WGO
	Copper	629373COP
	Gunmetal	629373GUM
	Puro	629373PUR

Suitable for: Prepstation D-150	Solide Stainless Steel	629620EDM
	White Gold	629620WGO
	Copper	629620COP
	Gunmetal	629620GUM
	Puro	629620PUR

Suitable for: Lotus D-100 Modena D-100 Signus D-100S	Solide Stainless Steel	629383EDM
	White Gold	629383WGO
	Copper	629383COP
	Gunmetal	629383GUM
	Puro	629383PUR

Suitable for: Tia D-100 Tia D-100L Tia D-100LS	Solide Stainless Steel	629675EDM
	White Gold	629675WGO
	Copper	629675COP
	Gunmetal	629675GUM
	Puro	629675PUR

Suitable for: Mono D-100 Mono D-100L Mono D-100S Mono D-100XS	Solide Stainless Steel	629385EDM
	White Gold	629385WGO
	Copper	629385COP
	Gunmetal	629385GUM
	Puro	629385PUR

Suitable for: Greenwich N-200	Solide Stainless Steel	629897EDM
	White Gold	629897WGO
	Copper	629897COP
	Gunmetal	629897GUM
	Puro	629897PUR

Suitable for: Kallio M-100	Solide Stainless Steel	629915EDM
	White Gold	629915WGO
	Copper	629915COP
	Gunmetal	629915GUM
	Puro	629915PUR

SINKS CRISTADUR®

Sinks	Indutherm LED	Topmount Undermount Flushmount Modul	CLASSIC LINE									GREEN LINE						
			Puro	Magma	Carbonium	Stone	Bronze	Silverstone	Magnolia	Polaris	Rouge	Day	Dusk	Night	Twilight			
Edo N-175	● ●	● ● ● ●	●	●	●	●	●	●	●	●	●	●	●	●	●	●	●	●
Edo N-175Y	● ●	● ● ● ●	●	●	●	●	●	●	●	●	●	●	●	●	●	●	●	●
Galaxy N-100	● ●	● ● ● ●	●	●	●	●	●	●	●	●	●	●	●	●	●	●	●	●
Galaxy N-100Y	● ●	● ● ● ●	●	●	●	●	●	●	●	●	●	●	●	●	●	●	●	●
Galaxy N-100L	● ●	● ● ● ●	●	●	●	●	●	●	●	●	●	●	●	●	●	●	●	●
Galaxy N-100LY	● ●	● ● ● ●	●	●	●	●	●	●	●	●	●	●	●	●	●	●	●	●
Grando M-100	● ●	● ● ● ●	●	●	●	●	●	●	●	●	●	●	●	●	●	●	●	●
Greenwich N-100S	● ●	● ● ● ●	●	●	●	●	●	●	●	●	●	●	●	●	●	●	●	●
Greenwich N-100	● ●	● ● ● ●	●	●	●	●	●	●	●	●	●	●	●	●	●	●	●	●
Greenwich N-100L	● ●	● ● ● ●	●	●	●	●	●	●	●	●	●	●	●	●	●	●	●	●
Greenwich N-200	● ●	● ● ● ●	●	●	●	●	●	●	●	●	●	●	●	●	●	●	●	●
Horizont N-200	● ●	● ● ● ●	●	●	●	●	●	●	●	●	●	●	●	●	●	●	●	●
Kallio M-100	NEW ● ●	● ● ● ●	●	●	●	●	●	●	●	●	●	●	●	●	●	●	●	●
Kallio M-175	● ●	● ● ● ●	●	●	●	●	●	●	●	●	●	●	●	●	●	●	●	●
Kiruna N-100	NEW ● ●	● ● ● ●	●	●	●	●	●	●	●	●	●	●	●	●	●	●	●	●
Kiruna N-100L	NEW ● ●	● ● ● ●	●	●	●	●	●	●	●	●	●	●	●	●	●	●	●	●
Kiruna N-100XL	NEW ● ●	● ● ● ●	●	●	●	●	●	●	●	●	●	●	●	●	●	●	●	●
Lotus C-150	● ●	● ● ● ●	●	●	●	●	●	●	●	●	●	●	●	●	●	●	●	●
Mono D-100XS	● ●	● ● ● ●	●	●	●	●	●	●	●	●	●	●	●	●	●	●	●	●
Mono D-100S	● ●	● ● ● ●	●	●	●	●	●	●	●	●	●	●	●	●	●	●	●	●
Mono D-100	● ●	● ● ● ●	●	●	●	●	●	●	●	●	●	●	●	●	●	●	●	●
Mono D-100L	● ●	● ● ● ●	●	●	●	●	●	●	●	●	●	●	●	●	●	●	●	●
Mono D-150	● ●	● ● ● ●	●	●	●	●	●	●	●	●	●	●	●	●	●	●	●	●
Mono D-200	● ●	● ● ● ●	●	●	●	●	●	●	●	●	●	●	●	●	●	●	●	●
Mono N-100S	● ●	● ● ● ●	●	●	●	●	●	●	●	●	●	●	●	●	●	●	●	●
Mono N-100	● ●	● ● ● ●	●	●	●	●	●	●	●	●	●	●	●	●	●	●	●	●
Mono R-100	● ●	● ● ● ●	●	●	●	●	●	●	●	●	●	●	●	●	●	●	●	●
Montano N-100XL	● ●	● ● ● ●	●	●	●	●	●	●	●	●	●	●	●	●	●	●	●	●
Montano N-100XLY	● ●	● ● ● ●	●	●	●	●	●	●	●	●	●	●	●	●	●	●	●	●
Prepstation D-150	UPDATE ● ●	● ● ● ●	●	●	●	●	●	●	●	●	●	●	●	●	●	●	●	●
Signus D-100	● ●	● ● ● ●	●	●	●	●	●	●	●	●	●	●	●	●	●	●	●	●
Signus D-100L	● ●	● ● ● ●	●	●	●	●	●	●	●	●	●	●	●	●	●	●	●	●
Signus D-150	● ●	● ● ● ●	●	●	●	●	●	●	●	●	●	●	●	●	●	●	●	●
Signus D-200	● ●	● ● ● ●	●	●	●	●	●	●	●	●	●	●	●	●	●	●	●	●
Signus N-100XL	● ●	● ● ● ●	●	●	●	●	●	●	●	●	●	●	●	●	●	●	●	●
Signus N-100XLY	● ●	● ● ● ●	●	●	●	●	●	●	●	●	●	●	●	●	●	●	●	●
Signus C-150	● ●	● ● ● ●	●	●	●	●	●	●	●	●	●	●	●	●	●	●	●	●
Supra N-175	● ●	● ● ● ●	●	●	●	●	●	●	●	●	●	●	●	●	●	●	●	●
Tia D-100	● ●	● ● ● ●	●	●	●	●	●	●	●	●	●	●	●	●	●	●	●	●
Tia D-100LS	● ●	● ● ● ●	●	●	●	●	●	●	●	●	●	●	●	●	●	●	●	●

○ The flush-mount variant is only available for selected CRISTADUR® colors
Puro, Magma, Stone, Bronze and Silverstone.

SINKS CRISTADUR®

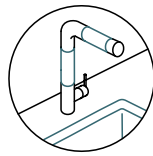
Sinks	Indutherm LED		Topmount Undermount Flushmount Modul				CLASSIC LINE										GREEN LINE			
	●	●	●	●	●	●	Puro	Magma	Carbonium	Stone	Bronze	Silverstone	Magnolia	Polaris	Rouge	Day	Dusk	Night	Twilight	
Tia D-100L	●	●	●	●	●	●	●	●	●	●	●	●	●	●	●	●	●	●	●	
Toledo D-100XS	●	●	●	●	●	●	●	●	●	●	●	●	●	●	●	●	●	●	●	
Toledo D-100	●	●	●	●	●	●	●	●	●	●	●	●	●	●	●	●	●	●	●	
Toledo D-100L	●	●	●	●	●	●	●	●	●	●	●	●	●	●	●	●	●	●	●	
Toledo D-150	●	●	●	●	●	●	●	●	●	●	●	●	●	●	●	●	●	●	●	
Toledo D-200	●	●	●	●	●	●	●	●	●	●	●	●	●	●	●	●	●	●	●	
Waterfall D-100	●	●	●	●	●	●	●	●	●	●	●	●	●	●	●	●	●	●	●	
Waterfall D-150	●	●	●	●	●	●	●	●	●	●	●	●	●	●	●	●	●	●	●	
Wembley D-100	●	●	●	●	●	●	●	●	●	●	●	●	●	●	●	●	●	●	●	
Wembley D-100L	●	●	●	●	●	●	●	●	●	●	●	●	●	●	●	●	●	●	●	

LEGEND

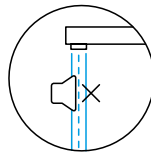
SPECIAL FEATURES TAPS & SOAP DISPENSER



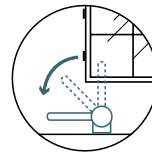
Stainless steel
Durable and
hygienic



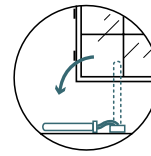
SCHOCK clad
Partially clad in quartz
composite



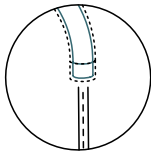
A whisper
Ultra-quiet
water jet



Makes room
Fold-down spout



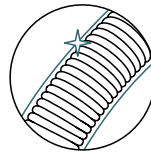
Versatile
Foldable
thanks to
bayonet catch



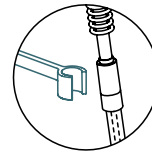
Charming
Graceful design



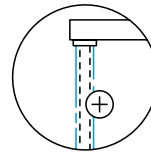
Low pressure
For connection
to boiler/flow
heater



Simply ingenious
Easy-clean spout
thanks to the clo-
sed coil hose



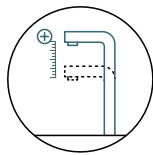
Freedom
Unhookable,
flexible hose



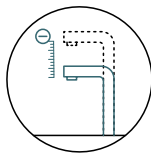
Time-saving
Extra-strong jet



**Every drop
counts**
Integrated water-
saving function



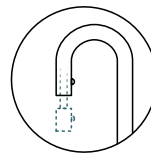
Highly popular
Tall spout



Compact
Space-saving
design



Filter water
Hot, cold and
filter water
Connection



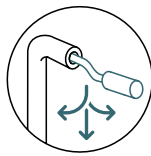
Hidden talent
Concealed
pull-out function



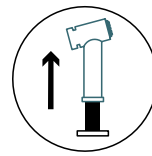
Choice
Switch between
beam and
shower jet



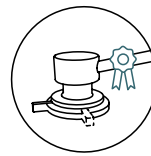
Safety first
Built-in tempera-
ture limiter



Get more done
Ergonomic
design



In action
Side spray for
more flexibility



Clever combination
Soap dispenser
and pop-up control
in one





Schock GmbH

Hofbauerstraße 1

94209 Regen

www.schock.de/int_en



WE-0238-INT/23