

CU0515GA Service Parts

This is the list of service parts for the CU515GA ice machine.

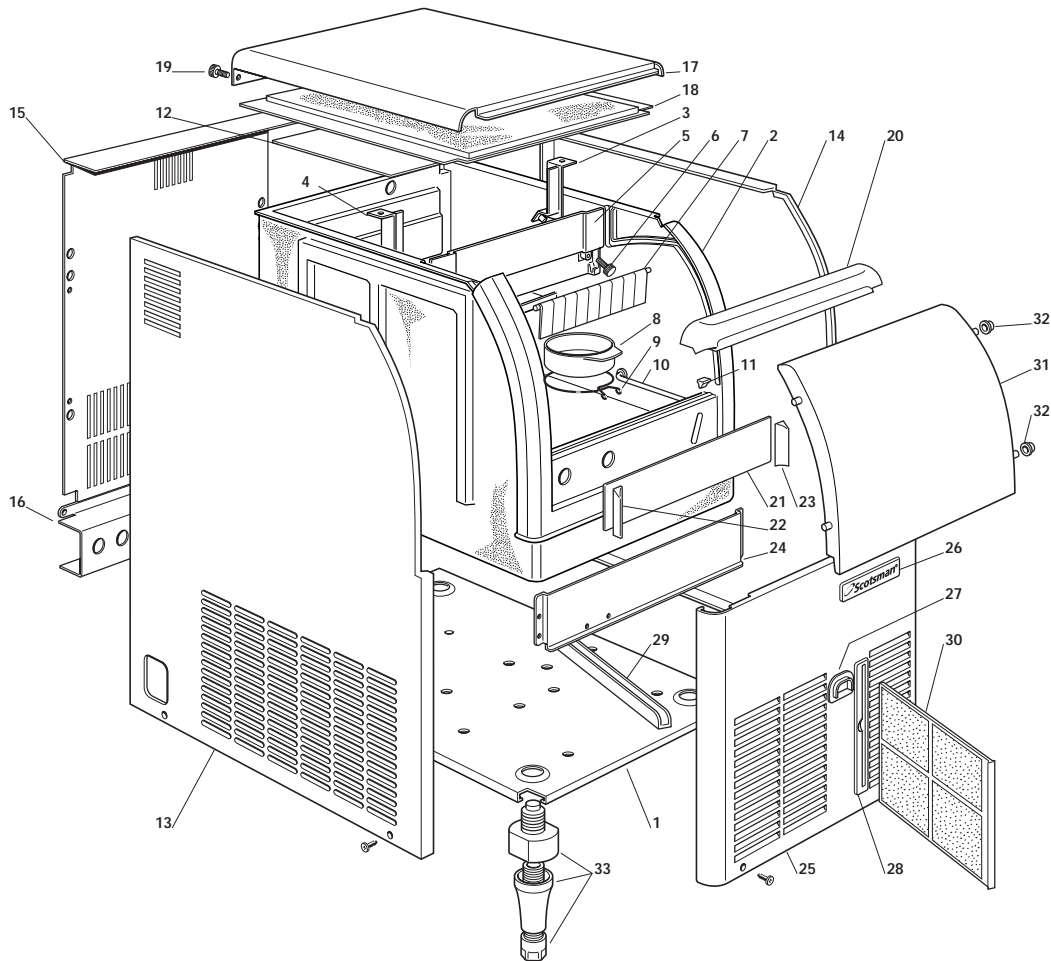
When ordering a part, be sure to confirm that the part is for the correct model.

Table of Contents

Cabinet	Page 2
Refrigeration System	Page 3
Water System	Page 4
Control System	Page 5

CU0515GA Service Parts

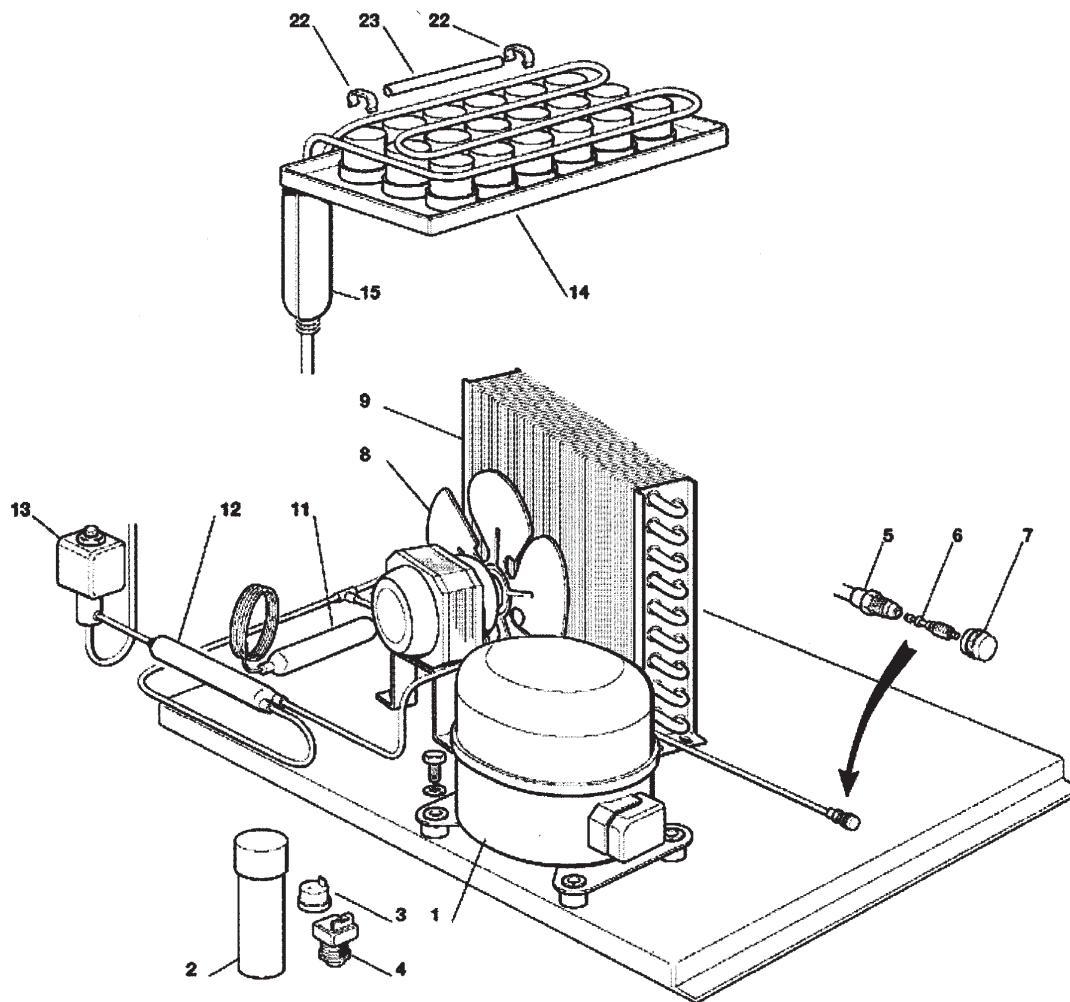
Cabinet



Item Number	Part Number	Description	Item Number	Part Number	Description
1	F702458-00	Unit Base	17	F781467-00	Insulated Top Panel
2	F782101-02R	Insulated Storage Bin	19	F650806-00	Thumb Screw
3	F660778-00	Curtain Bracket Right	20	F660776-00	Front Liner
4	F660778-01	Curtain Bracket Left	21	F721970-00	Front Plate
5	F660775-00	Curtain Bracket Upper	22	F660830-01	Corner Protection Left
6	F650806-05	Thumb Screw	23	F660830-00	Corner Protection Right
7	F784457-07R	Curtain assy	24	F702402-00	Bracket, Front
8	F660741-00	Plastic Plug	25	F722249-00	Panel, Front
9	F460047-00	Spring	26	F650850-00	Logo, Scotsman
10	F732017-00	Bulb Holder	27	F660829-00	Front Switch Plastic Protection
11	F660816-00	Shock Absorber	28	F660804-00	Air Filter Seat
12	F742033-00	Evaporator Cover	29	F660817-00	Slide, Air Filter
13	F722248-00	Panel, Left Side	30	F660805-00	Air Filter
14	F722247-00	Panel, Right Side	31	F660814-00	Bin Door
15	F702457-00	Panel, Rear	32	F660286-00	Bushing
16	F702462-00	Bracket	33	F650670-05	Legs, kit of 4

CU0515GA Service Parts

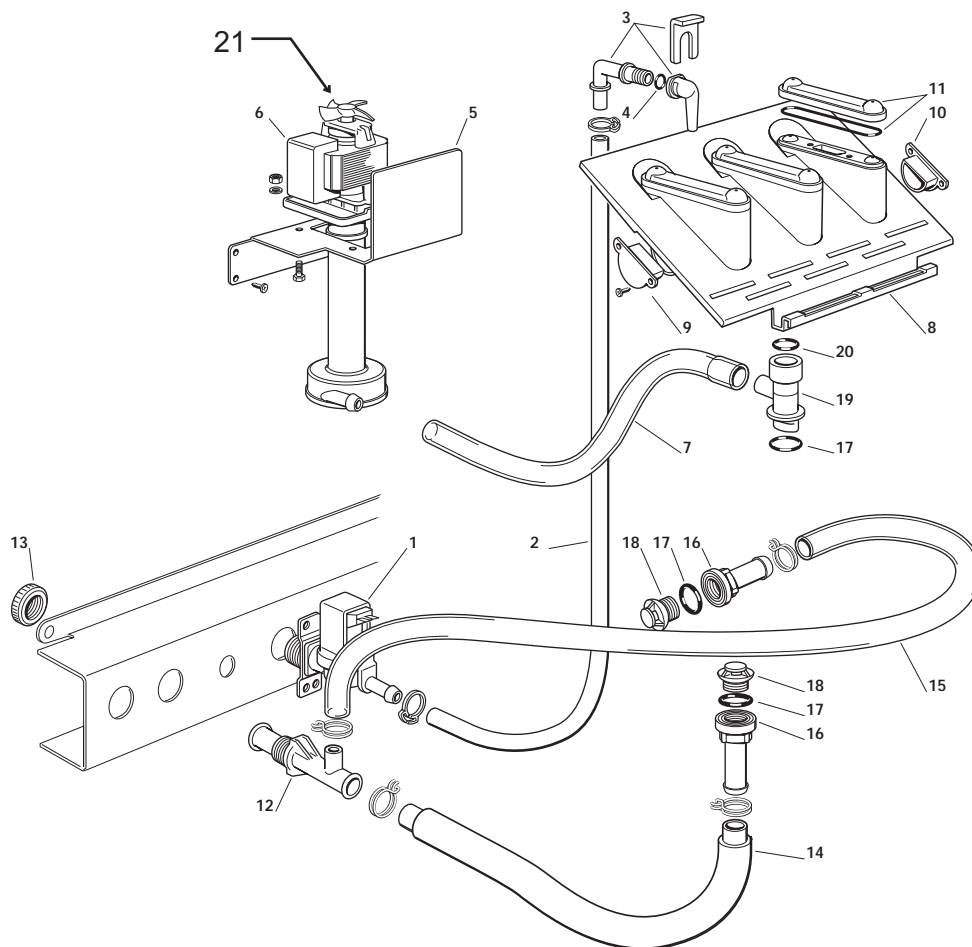
Refrigeration System



Item Number	Part Number	Description
1	F670105-01	Compressor, Embraco. Includes starting components. Embraco use began with SN 11111330010259 and replaces the prior Cubigel compressor.
2	F620167-56	Start Capacitor for Cubigel
	12-3070-01	Start capacitor for Embraco
3	F060712-00	Relay and overload kit for Cubigel
	12-3071-01	Overload for Embraco
4	12-3069-01	Relay for Embraco
5	F650109-00	Valve Body
6	F670012-00	Valve Core
7	F650106-00	Cap
8	F620419-03	Fan Motor
8a	F620419-32	Fan Blade
9	F620420-00	Condenser
11	F630003-05	Filter
12	F630137-00	Mechanical Filter
13	F620306-27	Hot Gas Valve Body
13a	F620306-51	Coil
14	F784615-01	Evaporator assy
15	F784632-01	Suction Line assy , includes cap tube and accumulator
22	F650475-02	Metal Clip
23	F741114-00R	Bulb Holder

CU0515GA Service Parts

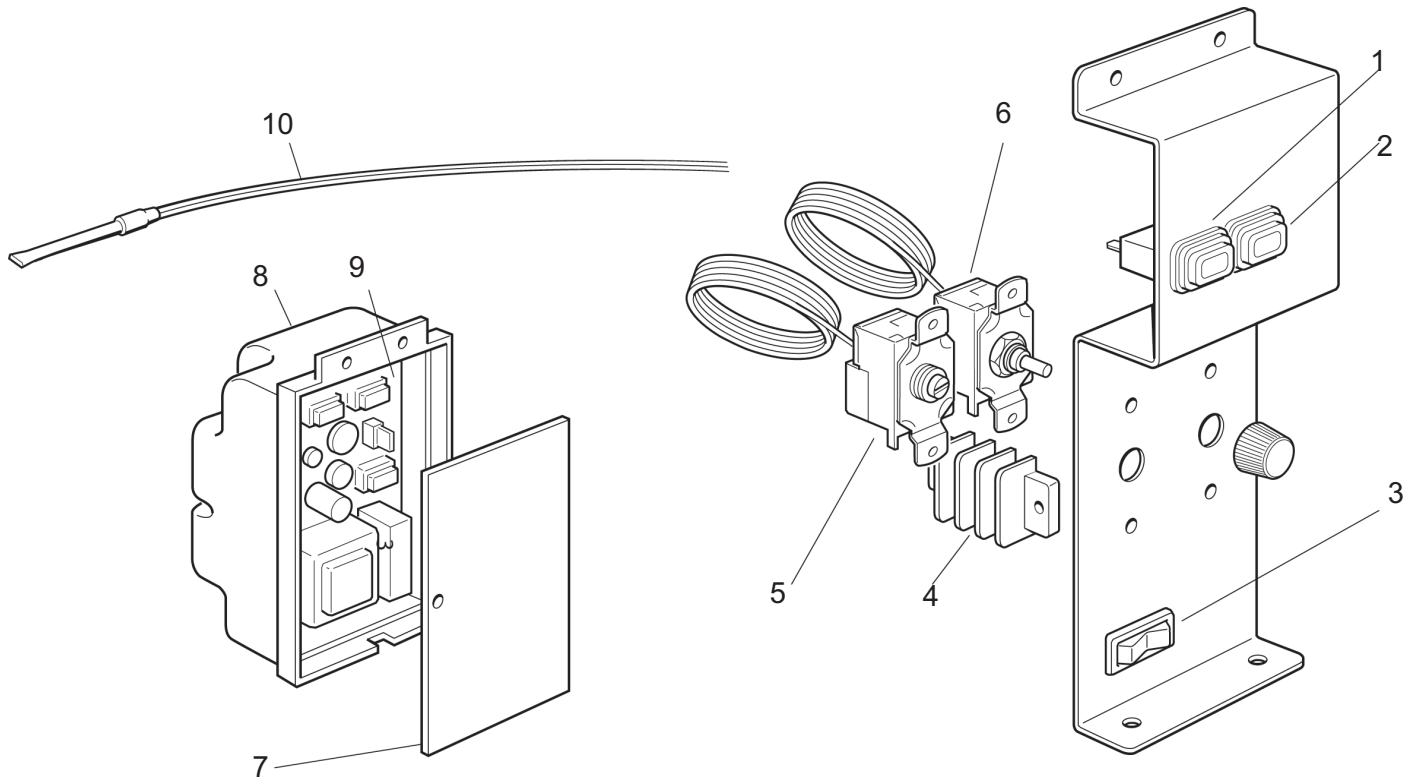
Water System



Item Number	Part Number	Description	Item Number	Part Number	Description
1	A32405-001	Water Inlet Valve	15	F610204-00	Tube
1a	F640022-06	Flow Control	16	F660219-02	Bin Drain
2	F281900-04	Tube, per meter	17	F640134-00	O Ring
3	F793172-00R	Water Inlet Elbow assy	18	F660211-01	Drain Filter
4	F640041-31	O Ring	19	F660777-00	Spray System Seat
5	F724417-00	Metal Bracket	20	F640041-32	O Ring
6	A32588-020	Water Pump	21	not available	Fan for pump - contact Scotsman Technical Service for assistance
7	F610150-04	Tube			
8	F793129-09	Spray System assy			
9	F660520-07	Plastic Plug			
10	F660520-06	Plastic Plug			
11	F060529-01	Spray Cover Kit			
12	F660224-00	Tee Tube			
13	F660535-00	Plastic Nut			
14	F610148-10	Tube			

CU0515GA Service Parts

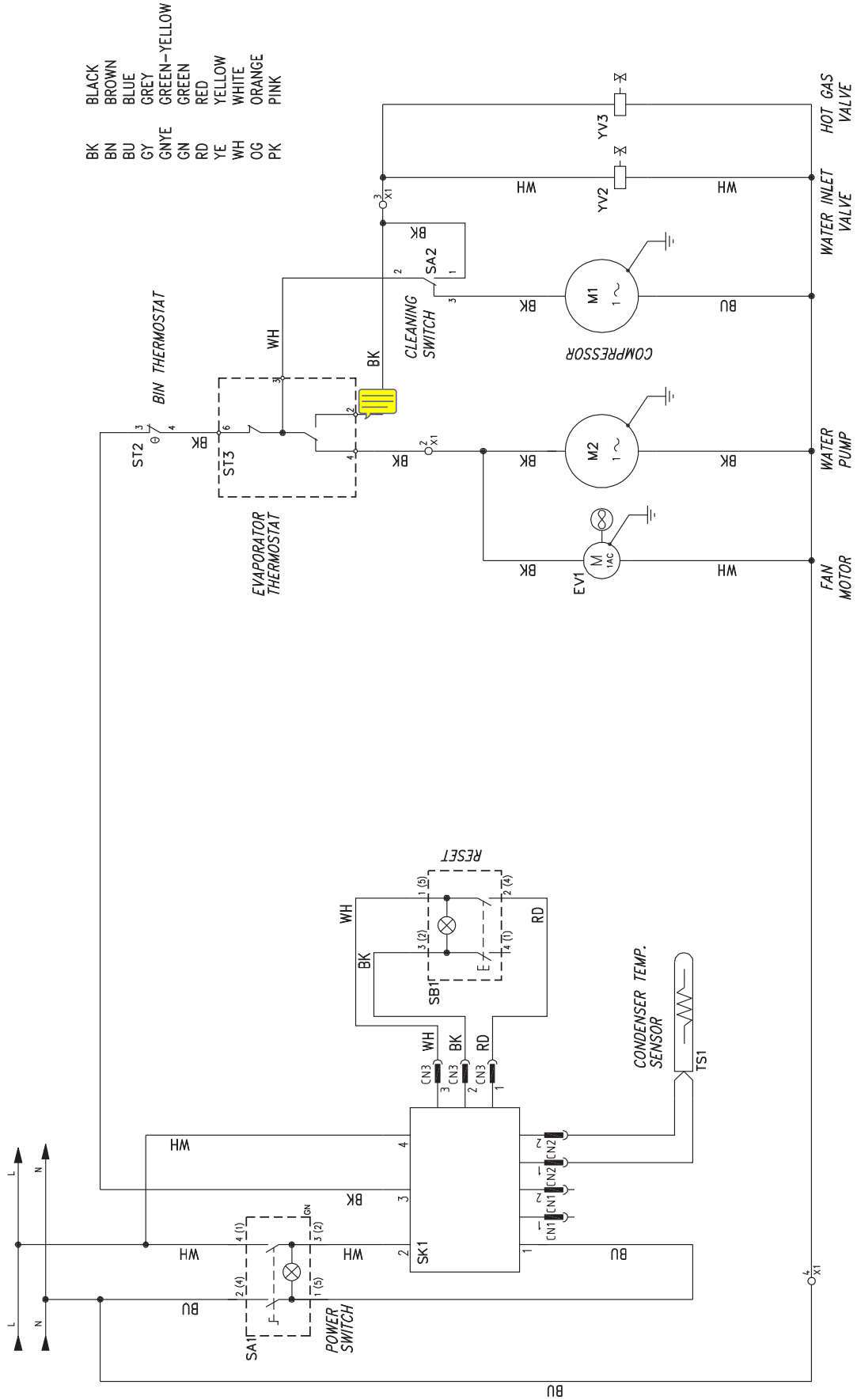
Control System



Item Number	Part Number	Description
1	F620487-01	Warning Light - Reset Button
2	F620487-00	Master Lighted Switch
3	F620442-01	Switch
4	F630114-01	Terminal Board
5	F630005-00	Bin Thermostat
6	F620264-11	Evap. Thermostat - does not include knob
7	F702464-00	Cover
8	F702463 00	Metal Control box
9	F060711-32	PC Board - Cleaning reminder. Kit includes item 10
10	F620404-11	Condenser Sensor, black plug
	F620519-00	Condenser sensor, white plug use began 2012.

CU0515GA Service Parts

Wiring Diagram



SERVICE BULLETIN

Subject: New Compressor for CU0515

The compressor used in CU0515 has been changed from Embraco to **Cubigel**. The new part numbers are:

Cubigel parts

F670100-06 Compressor - includes starting components.
F060712-00 Start relay / Overload
F620167-56 Start capacitor

The change began with serial number 16011330010100 .

If a start capacitor or relay is needed on a CU0515, **the brand of compressor must be identified** and the correct parts ordered, either for Embraco or Cubigel.

Embraco parts:

12-3069-01 Start relay
12-3070-01 Start capacitor
12-3071-01 Overload

SERVICE BULLETIN

Subject: New Compressor for CU0515

The compressor used in CU0515 has been changed from a Cubigel to an **Embraco**. The new part numbers are:

F670105-01 Compressor - includes starting components.
12-3069-01 Start relay
12-3070-01 Start capacitor
12-3071-01 Overload

The change began with serial number 11111330010259.

If a start capacitor or relay is needed on a CU0515, the brand of compressor must be identified and the correct parts ordered, either for Embraco or Cubigel. Embraco parts are listed above.

Cubigel parts:

F620167-56 Start capacitor
F060712-00 Relay and overload kit