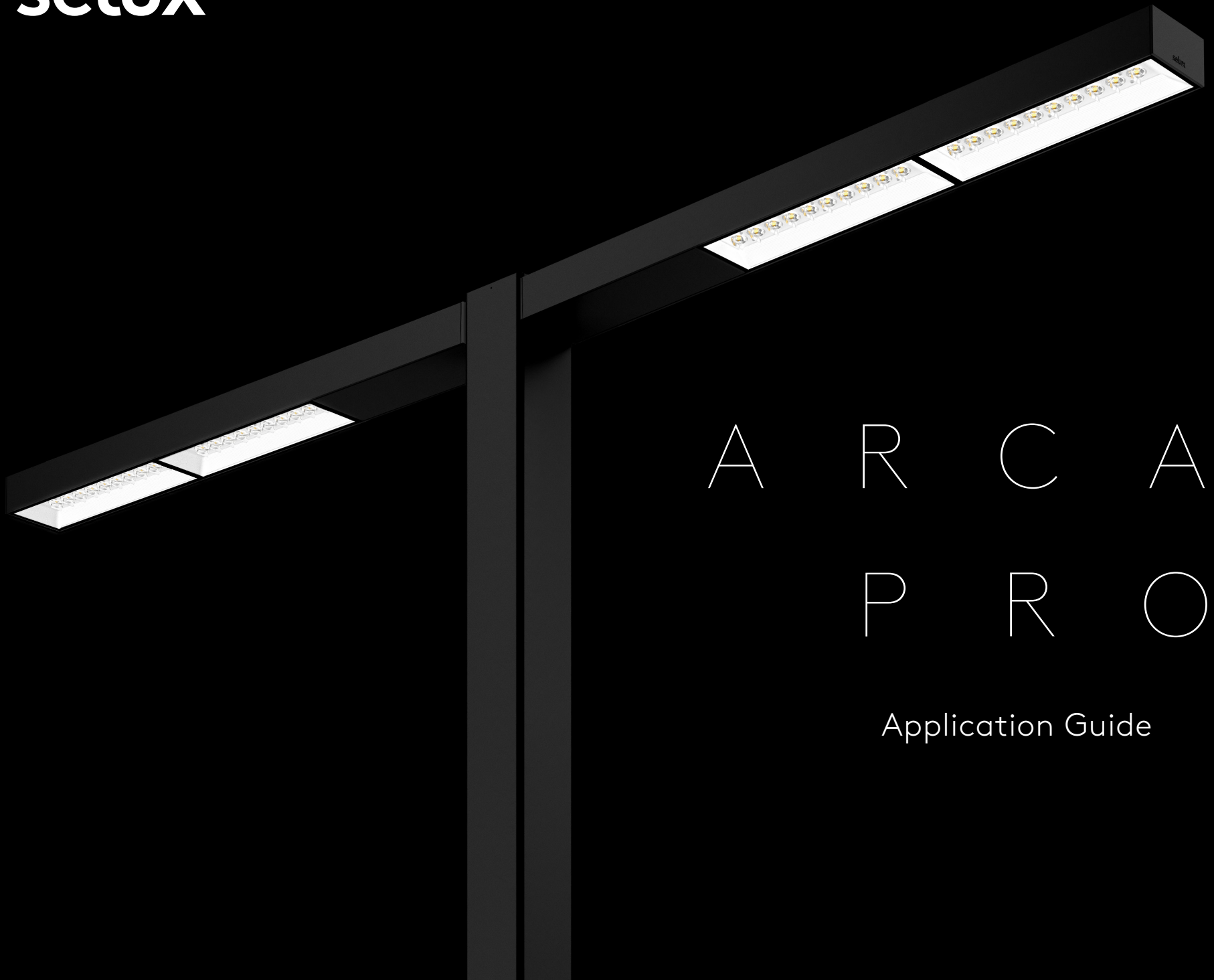


selux

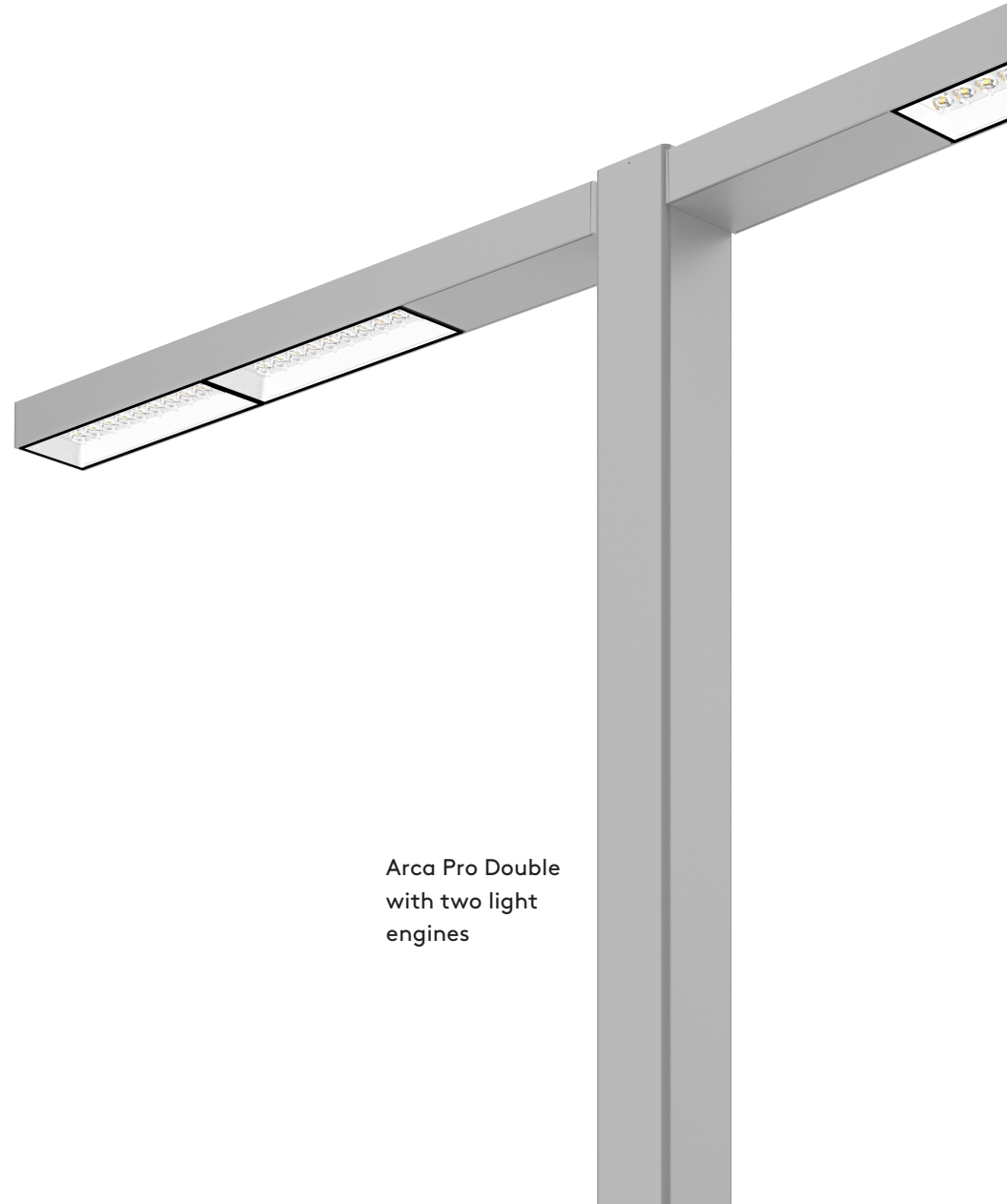


A R C A
P R O

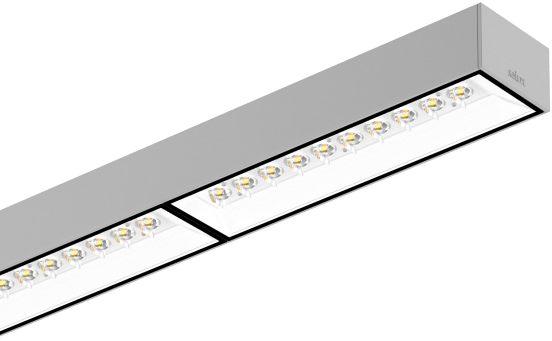
Application Guide

Product Specifications

Mounting:	Single · Double · Triple · Quad Arrangements
Light Engine:	Gen 5: Single or Double
Reflector	White baffled reflector
Optics	Type I · Type II · Type III · Type IV · Type V (round) · Type V (square)
Height:	10ft · 12ft · 14ft · 16ft · 18ft · 20ft · 25ft · 30ft
CCT:	Amber · 2700K · 3000K · 3500K · 4000K · 5000K
Options:	Dimming 0-10V · Decorative Collar · Integral Motion Sensor · House Side Shield



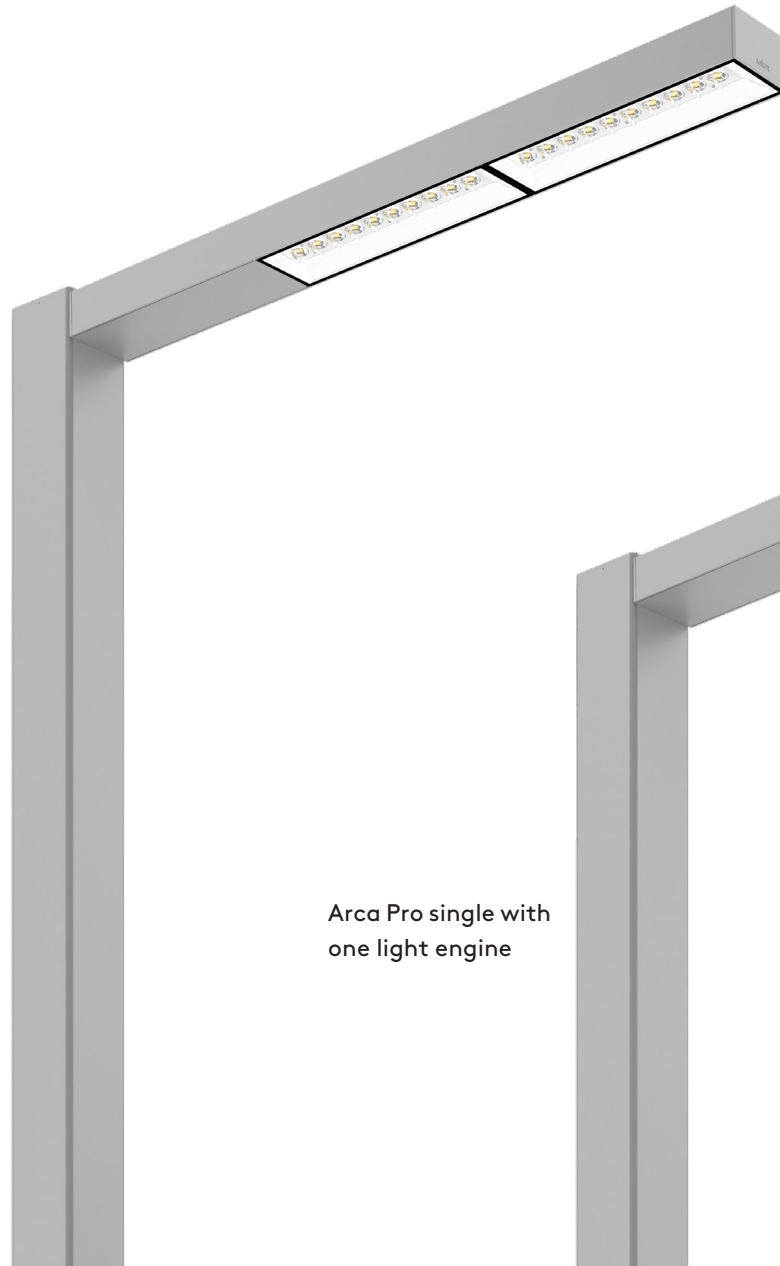
Arca Pro Double
with two light
engines



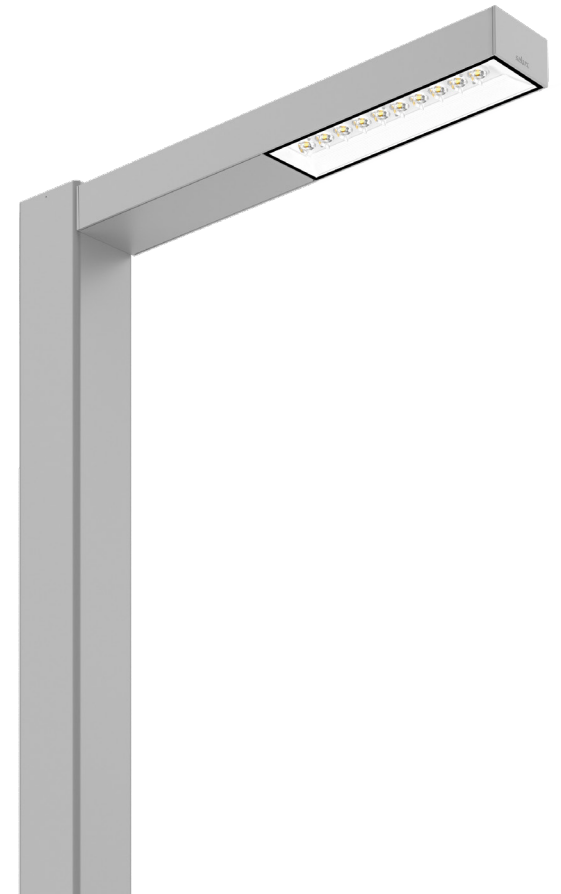
Flexibility

Arca Pro is available in single, double, triple, and quadruple pole configurations, with your choice of one or two light engines per luminaire. Two light engines provide maximum light output - up to 24,000 lumens - or use one light engine for intimate illumination. Mix and match quantity of light modules with mounting positions for truly customized lighting.

Arca Pro single with two light engines



Arca Pro single with one light engine







Arca Pro is an attractive product family
the form is able to blend harmoniously
into public spaces.

Arca Pro has a minimal form that doesn't take away from its surrounding environment. Premium quality and durable materials maintain a clean appearance over time.

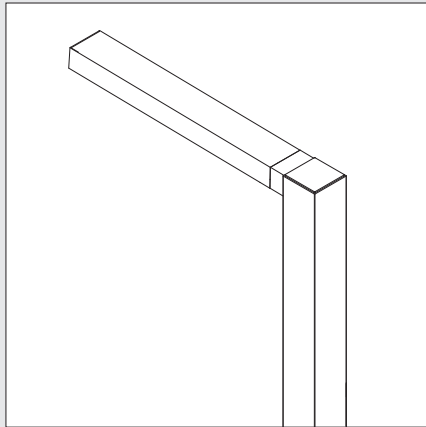
A choice of one or two light engines per arm, as well as freedom to configure the lighting such that it can be used for both street and pathway applications from the same luminaire. Arca Pro provides solutions for a wide range of exterior lighting tasks.

Arca Pro Family

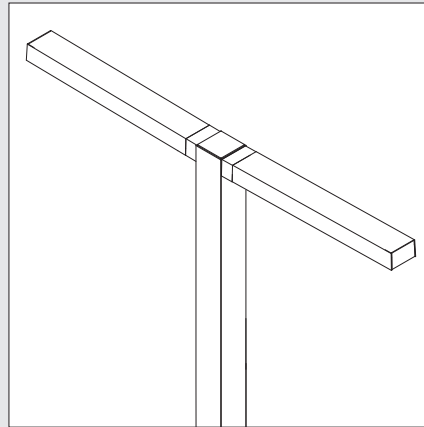


Versatile mounting options

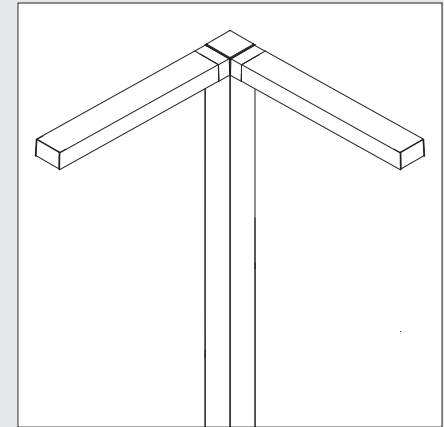
Arca Pro with Sistema configurations



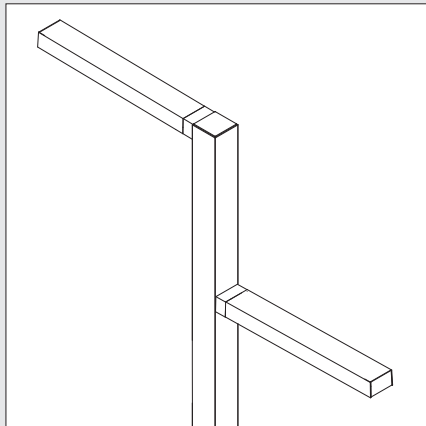
Arca Pro Single



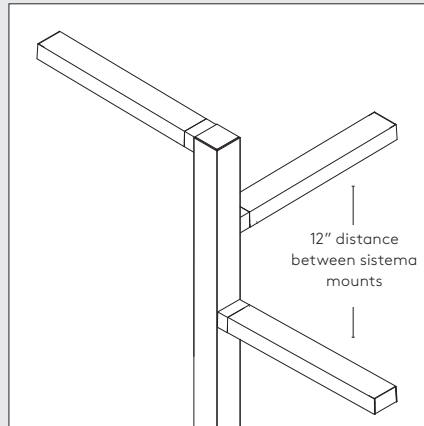
Arca Pro Double
(180°)



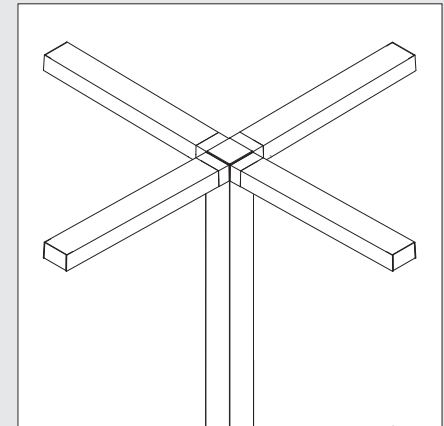
Arca Pro Double
(90°)



Arca Pro Double Sistema Mount



Arca Pro Triple Sistema Mount



Arca Pro Quadruple Sistema Mount

The versatility of the product family
makes it possible to achieve both practical and
atmospheric lighting scenarios

Arca Pro has a sleek, geometric form that is enhanced by a square pole, which gives it a modern feel. Options include one to four heads that can be mounted at varying levels with a 12 inch distance between each mount. This flexible arrangement of the luminaires gives the designer many different options. The simple contemporary lines will enhance any landscape design in locations such as pedestrian pathways, campuses, parking lots, side streets, or courtyards.

*Consult the factory for non-standard mounting configurations.



Among the stars

Arca Pro ensures that the dark sky is preserved

Arca Pro complies to IDA requirements, ensuring the dark sky is preserved. It has the Fixture Seal of Approval issued by the International Dark Sky Association. The luminaire is certified to minimize glare, reduce light trespass, and have zero uplight.

Unnecessary light scatter is avoided using Gen 5 optics recessed into the IP66 enclosure. This means that no direct light is emitted into the horizon or at shallow angles. Precise downward light increases application efficacy.

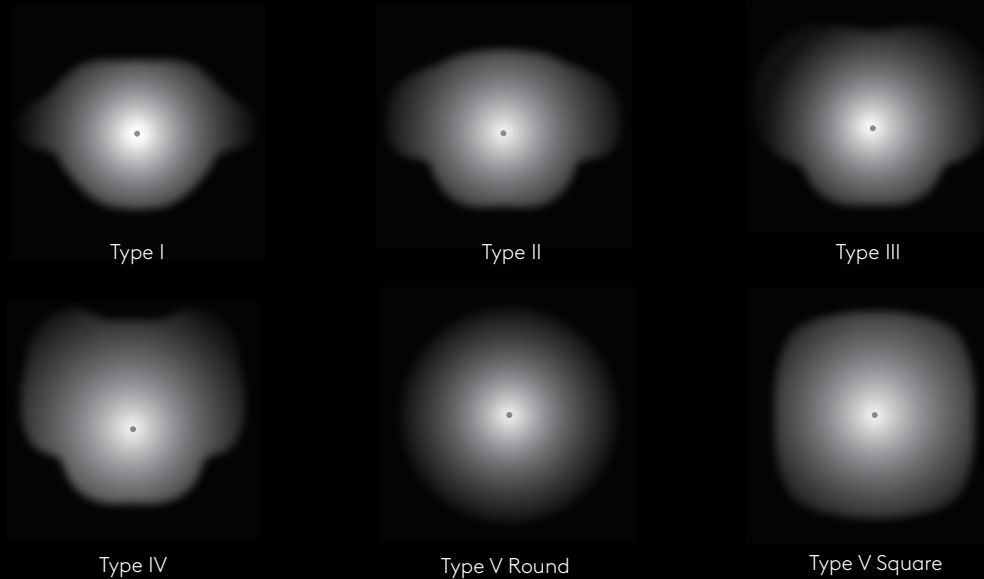


Masterful performance, premium quality lighting

The Selux Gen 5 lens is an optical advancement that allows for a full range of distributions with excellent visual comfort perfect for any designer needing improved visual guidance and precise placement of light. Unlike other optics, Gen5 is a proprietary design made of silicone, integrated into our existing and new exterior products to expand distribution options, increase lumen output, and provide a visual experience unique to

Selux. By keeping the vertical maximum intensity angle below 69° , Gen5 optics minimize brightness at critical viewing angles. In addition, Gen5 spreads brightness between LEDs which reduces contrast and increases the quality of the visual experience.

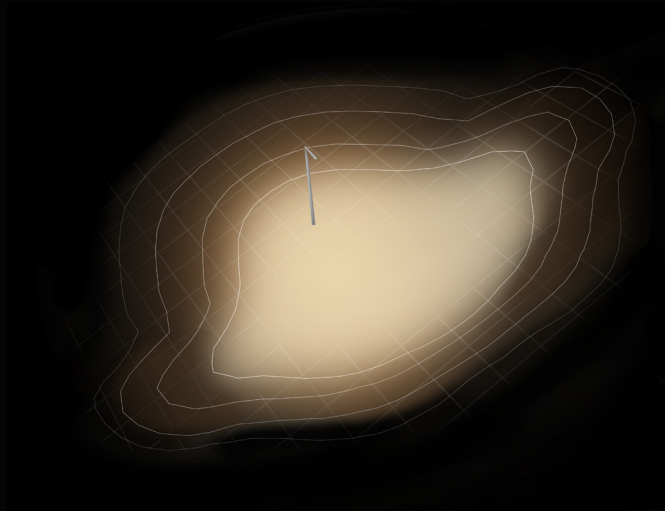
Standard Distributions





Arca Pro with House Side Shield

Helps reduce spill light behind the pole and directs the light only where it is needed (Type I shown).

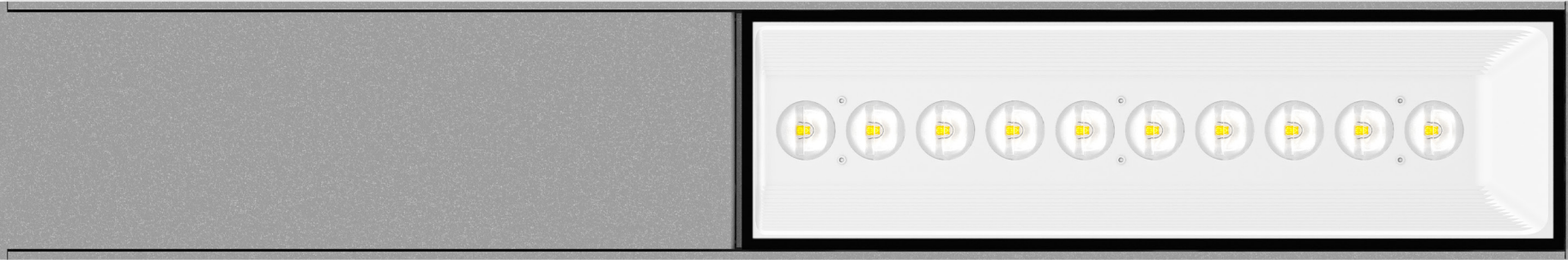


Arca Pro

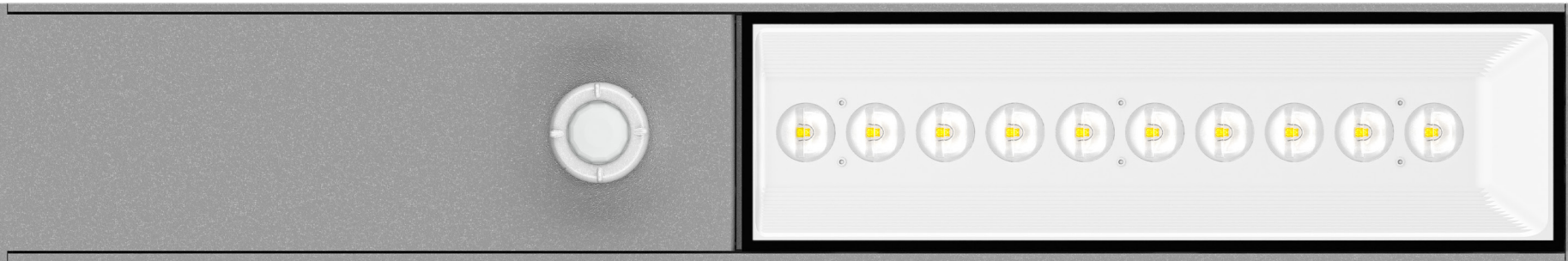
Great for lighting walkways, paths, and sidewalks (Type I shown).

Optics

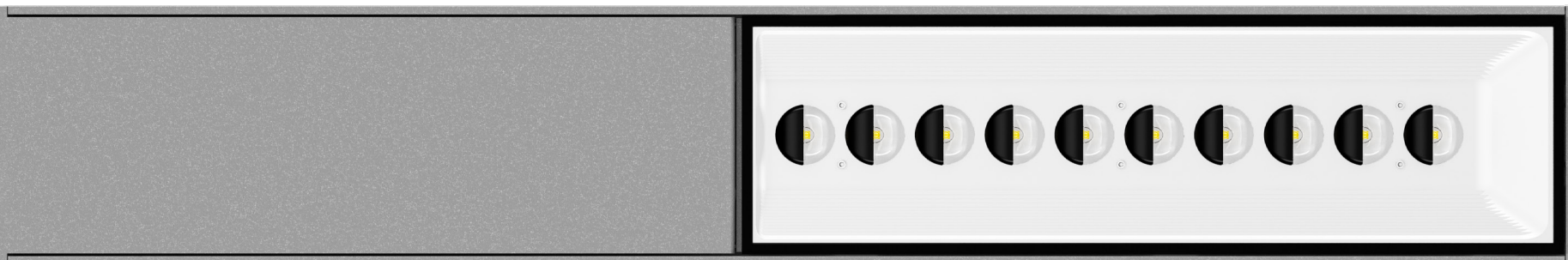
Gen 5 optics



Integral motion sensor



House side shield







Scientific evidence suggests
that artificial light at night has negative and
deadly effects on many creatures



While light pollution affects both nocturnal and diurnal animals, it poses a greater threat to animals that are active at night. Formerly dark nights are now just as bright as day thanks to irresponsible lighting installations, which leads to confusion and disorientation for nocturnal creatures.

Sea turtles, for example, use the position of the moon as they come ashore to lay their eggs. They avoid going to

beaches that are over lit due to parking lots, hotels, making it difficult to find a dark place to lay their eggs.

Selux works towards ensuring optics are as well-controlled as possible, to avoid glare and prevent light from traveling upward.

Light pollution causes many disruptions in wildlife

Protecting wildlife with true amber LED lighting

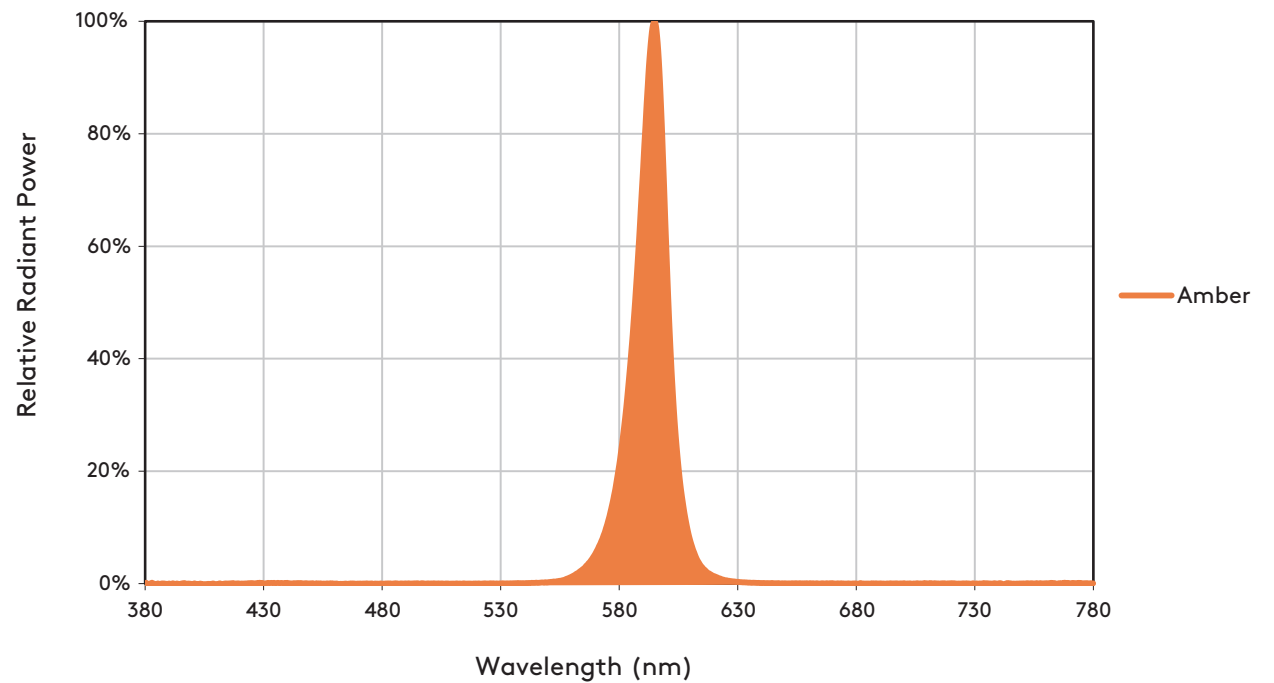
True Amber is recommended for use in areas where electric lighting is needed adjacent to ecologically sensitive areas, sea turtle nesting beaches, migratory corridors, and Dark Sky Friendly communities. Arca Pro with amber addresses lighting pollution issues in ecologically sensitive areas while ensuring human safety and security.

True amber LED, also known as limited-wavelength amber, is visible on an extremely narrow wavelength, so they have an extremely low environmental impact.

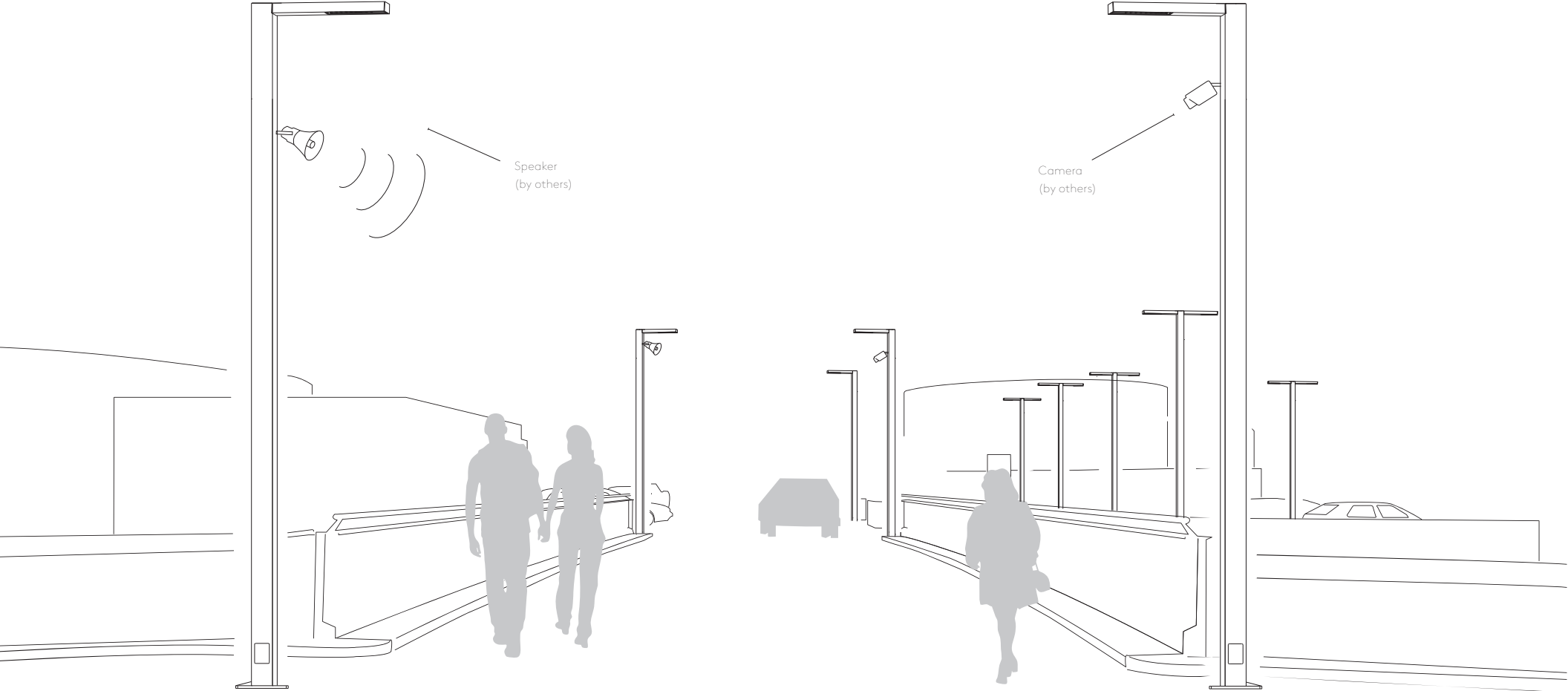
True amber

According to the Florida Fish and Wildlife Commission (FWC), turtle-friendly luminaires must limit short wavelength light under 560 nanometers (nm). True amber sources limit this short wavelength energy by producing more light above 560nm - a requirement for a long wavelength LED source. Using long wavelength light sources is less disruptive to marine turtles than white or multi-colored lights.

Amber Spectral Power Distribution



Typical application



More than lighting

More than just lighting

Encompassing sound and safety with ease

Consult the factory to integrate devices by others to Arca Pro poles. On a project-specific basis, Selux can accommodate devices like outdoor cameras, banner arms, and speakers, to be mounted externally to the pole.

Built to Last IP66 + IK10

Arca Pro is built to withstand the toughest conditions. It is IP66 rated and has an impact resistance rating of IK10. It is completely dust-tight. No amount of dust, objects, or airborne debris is able to get inside! Arca Pro is completely protected against any kind of water splashing, falling, or dripping. This luminaire is robust enough to stand up to any external abuse, including vandalism, making it an extremely reliable.



IP66



IK10



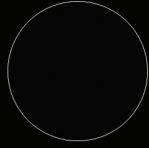
LIVING FUTURE
CORPORATE MEMBER



Selux Metal Finishes



white



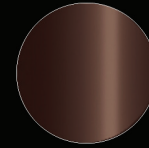
black
semi-
matte



black



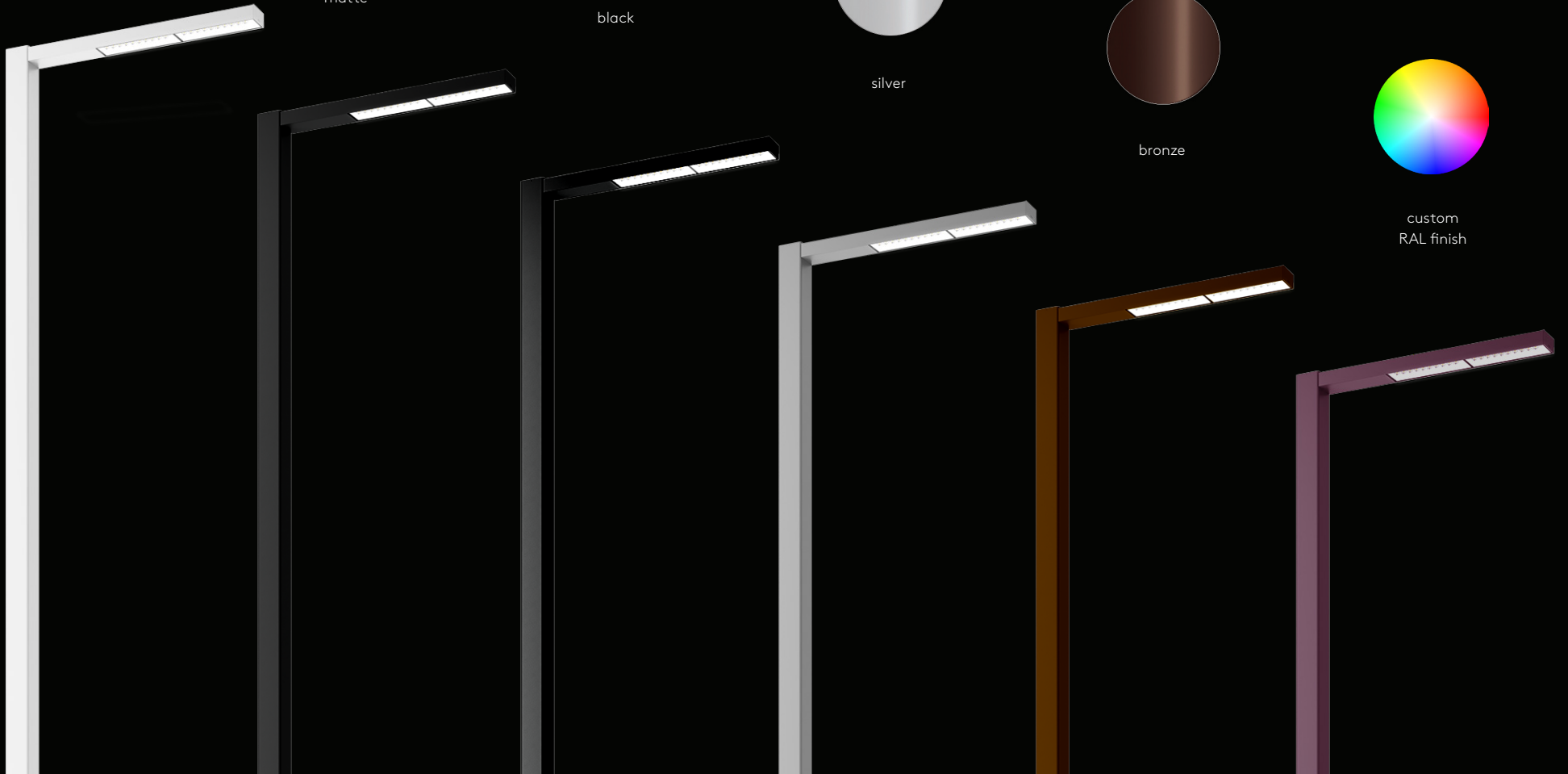
silver



bronze

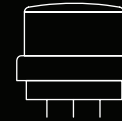


custom
RAL finish



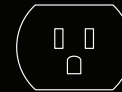
Photocell

The twist-lock photocell conserves energy and improves safety and security by automatically turning lights on when it gets dark or it detects motion. It also saves on energy by turning off at dawn or when extra light is unnecessary.



GFCI

The outdoor GFCI receptacle is located 3ft from the base of the pole, intended for portable tools and equipment when attended by personnel. The GFCI duplex receptacle is weatherproof with its self-closing cover - available with or without padlock.



USB & Duplex Receptacle

The outdoor GFCI receptacle with USB charging port is located 3ft from the base of the pole, intended for portable tools and equipment when attended by personnel.



Motion Sensors

Allowing the light to be controlled by a motion sensor cuts down on the amount of wasted electricity. With a motion sensor, the lights will only be on when someone is using the area. This makes sound economic sense, and is more environmentally friendly.



Declare.  ®

Arca Pro

The first to have a Declare label
for an exterior luminaire

Declare is a platform to share and find healthy building products. Manufacturers willingly disclose product information that can be found on the Declare labels. These labels are then accessible on a free and searchable database used by prominent designers, real estate owners and home owners, to specify products they know they can trust and that meet the requirements of leading green building standards, including Core Green Building, LBC, LEED, and WELL Certification.

Declare has positively changed the materials marketplace to enable the creation of buildings that support human and environmental health and has made it extremely easy to facilitate and simplify the exchange of information.

Selux is also proud to be Living Future Corporate Member. With this credential, Selux is recognized for its proficiency in the world's more ambitious, advanced, and holistic sustainable design standards.

You can trust that with these credentials, Selux and Arca Pro, is a brand to trust.



LIVING FUTURE
CORPORATE MEMBER

Declare.

Arca Pro
Selux Corporation

Final Assembly: Highland, New York, USA
Life Expectancy: 5+ Year(s)
End of Life Options: Recyclable (90%), Landfill (10%)

Ingredients:

LED Light Engine: Aluminum; PC945; Silicon; Stainless Steel; Rubber; **Housing:** Aluminum; Silicon; Stainless Steel; Terminal Block, Semiconductor, Lever Wire Nut¹; Copper; Nylon 6/6; Nylon 6; 3-Methyl-1-phenyl-5-pyrazolone; **Driver Enclosure:** Aluminum; Motion Sensor²; **Drivers and Surge Protectors:** LED Driver, Surge Protector²; Stainless Steel; **Decorative Collar:** Aluminum; Stainless Steel; **Optics:** Silicon; Propylene Carbonate; **LED PCB:** LED PCB³

¹LBC Temp Exception RL-002 - Small Electrical Components

Living Building Challenge Criteria: Compliant

I-13 Red List:

<input type="checkbox"/> LBC Red List Free	% Disclosed: 100% at 100ppm
<input checked="" type="checkbox"/> LBC Red List Approved	VOC Content: Not Applicable
<input type="checkbox"/> Declared	

I-10 Interior Performance: Not Applicable
I-14 Responsible Sourcing: Not Applicable

SLX-0001
EXP: 01 OCT 2023
Original Issue Date: 2022

INTERNATIONAL LIVING FUTURE INSTITUTE™ living-future.org/declare

Publisher

Selux Corporation
5 Lumen Lane
Highland, NY 12528
www.selux.us

Edited by (responsible)

Selux Corporation

Concept and Design

Selux Corporation
www.selux.us

Print

Selux Corporation
5 Lumen Lane
Highland, NY 12528

Selux is a registered trademark of the Selux Corporation.
Errors accepted and subject to change due
to technical modifications. For conditions of sale
and delivery please refer to www.selux.us.

The use of the text and images, even in part, is
in breach of copyright without the consent of
the Selux Corporation and punishable. This also applies to
copies, translations, microfilming and processing
with electronic systems.

09/2022



LIVING FUTURE
CORPORATE MEMBER