

2, 2-1/2, 3 TON COILS for Plenum Installation FEATURES

- Extra Length Refrigerant Tubing Stubs
- Copper Tube/ Lanced Aluminum Fin Coil
- Two Primary Condensate Drain Connections
- Polymer Thermoset Sloped Drain Pan
- Sweat Connect
- Dry Air Holding Charge
- Upflow Applications
- Coils Feature Orifice Pin Refrigerant Metering
- Thermostatic Expansion Valve Kit Available
- Made to fit inside ICP Furnace Plenum Flanges, (19-1/2" or wider furnace).



Rated in accordance with ARI Standards 210 & 240. Certification applies only when used with proper components as listed with ARI.

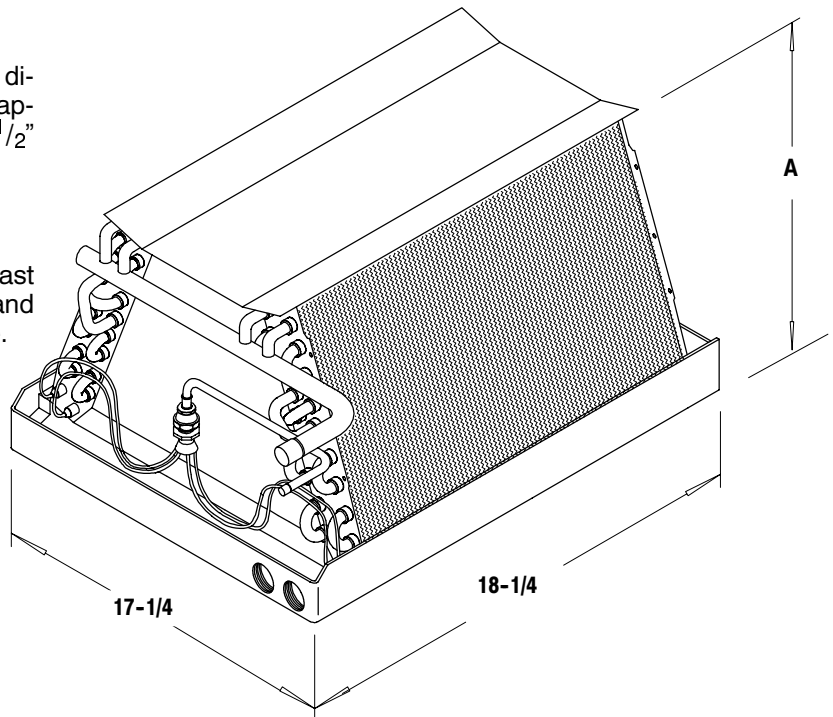
DIMENSIONS

Application Notes:

The plenum coils are designed to be installed directly into the furnace plenum on an upflow application **ONLY**. Minimum plenum size is 18^{-1/2}" deep by 17^{-5/8}" wide.

Minimum Clearances

Coils must be installed so the drain pan is at least 2" above the heat exchanger on a gas furnace and 5" above the heat exchanger for an oil furnace.



"A" COILS

Model No.	Height (inches)	Weights		Refrigerant Control	Connection Sweat	
	A	Net	Shpg.		Liq.	Suc.
EPP024D17A	10-3/4	15	19	.059	5/16	3/4
EPP030D17A	14-1/4	22	26	.065	5/16	3/4
EPP036D17A	16-1/4	26	30	.072	5/16	3/4

AIRFLOW PERFORMANCE DATA (CFM vs DRY/WET STATIC @ INCHES WATER COLUMN)

Model No.	500		600		700		800		900		1000		1100		1200	
	Dry	Wet	Dry	Wet	Dry	Wet	Dry	Wet	Dry	Wet	Dry	Wet	Dry	Wet	Dry	Wet
EPP024	.14	.17	.18	.21	.23	.25	.28	.31	.33	.37						
EPP030			.12	.13	.15	.16	.19	.20	.24	.24	.28	.30				
EPP036							.19	.23	.23	.28	.29	.34	.34	.40	.40	.47

CONDENSER ONLY MATCHES

OUTDOOR MODEL	INDOOR MODEL	COOLING							CFM	PIN	dBels
		BTUH	SEER	SEER w/TXV	EER	S/T	WATTS				
FBA024GC	EPP024 w/TD1	22,800	10.00	-	9.10	.75	2505	800	.061 #		
AG024GB	EPP024	22,800	10.00	10.40	9.10	.76	2505	800	.059 # / TXV	76	
FBA030GC	EPP030 w/TD1	27,800	10.00	-	9.00	.74	3088	1000	.066 #	76	
AG030GB	EPP030	28,800	10.00	10.40	9.50	.75	3031	1000	.065 # / TXV		
FBA036GC	EPP036 w/TD1	33,000	10.00	-	9.00	.76	3666	1200	.065 #	76	
AG036GB	EPP036	33,600	10.00	10.30	9.30	.75	3612	1200	.072 # / TXV		

ACCESSORIES

Model Number	Desc / Use With
AMF153TKA	TXV Kit, 2 - 3 TON
AMA001TDA	TD1 - Indoor Blower Time Delay Kit, (All)