

Remote Controlled R/F System

FLEXAVISION

SF package Cassette (CR) SFD system



Remote Controlled R/F System
FLEXAVISION™
SF package Cassette (CR) SFD system

The Multi-Purpose System

As examinations become increasingly diversified, R/F systems used typically for gastrointestinal examinations must now provide expanded functionality and improved performance to accommodate a wider range of examinations.

The “FLEX” in “FLEXAVISION” stands for “flexibility”.

True to its name, FLEXAVISION is an R/F system that meets the needs of the modern age by responding to the need for multi-purpose examinations.



Easy-to-Operate, High-Throughput System

4

Built-in Flexibility Expands the Scope of Examinations

7

Entire System Designed to Ensure High Image Quality

8

Digital Network Compatibility

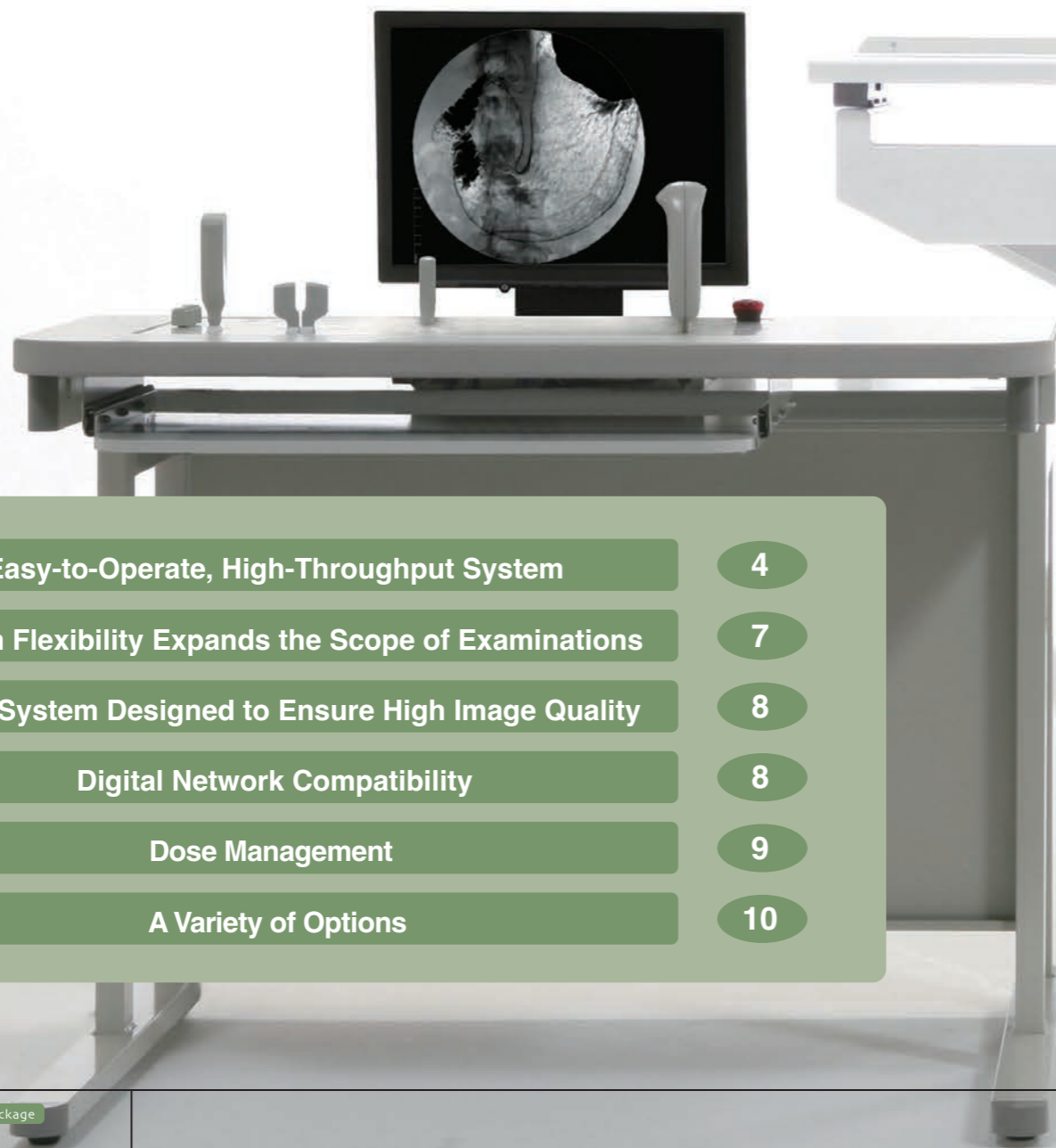
8

Dose Management

9

A Variety of Options

10



Easy to Operate, High-Throughput System

FLEXAVISION's wide range of functions supports chest imaging plus many other types of examinations, ensuring easy performance of cassette radiography.

System operation is designed to be as simple as possible and allows easy selection of the optimum conditions for each patient's body type. The functionality of this system consistently produces images of the high quality, regardless of the operator or patient.



Simple Setting of R/F Table



Simple Cassette Mounting

Imaging Chain Extension Function

Extending the imaging chain 150 cm for thoracic radiography expands the system's imaging capability to include low magnification chest radiography. The radiography conditions automatically change to compensate for the change in source to object distance.



Wide Selection of Cassette Sizes

A selection of cassette sizes, from 18 X 24 cm to 35 X 43 cm, can be used to perform a wide range of examinations, from thoracic to orthopedic. Also, a xenon-filled phototimer (option) with up to 4 spot fields and minimal radiation scattering ensure that X-ray efficiency is high and radiography is stable.



Front-Loading Design

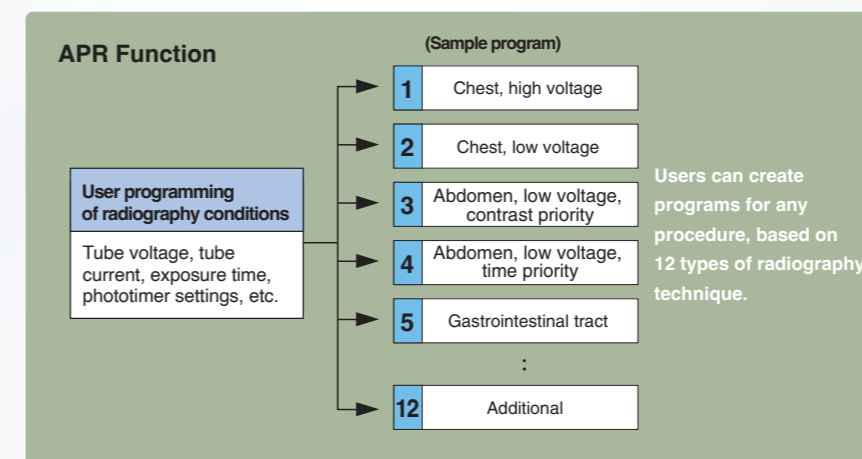
A simple cassette placement mechanism results in a quick and reliable cassette insertion and removal process at the SFD. The cassette automatically retracts out of the FOV allowing fluoroscopy to be performed.



Positioning and Setting of Radiography Conditions

"Memory Shot" Function Ensures Optimal Radiography Conditions

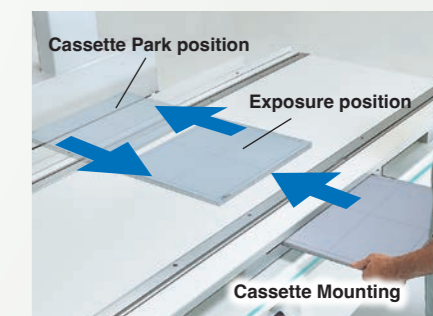
For spot film radiography performed during a fluoroscopy examination, the optimum radiography conditions for radiography of the region of interest, is instantly and automatically set from the required fluoroscopic exposure condition. Additionally, the systems APR function allows the presetting of up to 12 exposure conditions. This allows for quick and optimal imaging of common procedures.



Radiography under Optimum Conditions and Timing

Cassette Spot Filming Function

Advanced technology in the Spot Film Device gives precise radiography timing. Cassette movement from the "park" position to the "exposure" position is almost instantaneous, allowing capture of the region of interest.



Built-in Flexibility Expands Scope of Examinations

The key concept of FLEXAVISION is flexibility. FLEXAVISION can accommodate a wide range of radiology applications. These applications include chest imaging, general radiography, orthopaedic imaging, urology procedures and gastrointestinal examinations.

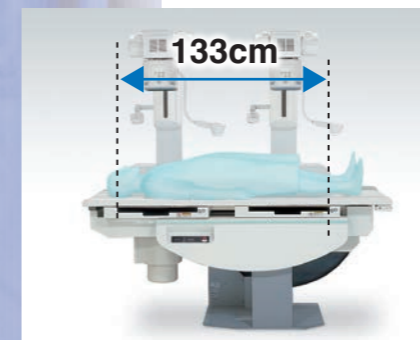
Advanced functions incorporated into the system design give the operator a system that is quick and easy to use for general radiography through to the more specialized procedures.

Spot Filming Function

During orthopaedic examinations, radiography can be performed immediately when fluoroscopy identifies the desired projection, region or anatomy. We recommend that this function, which illustrates the merits of an R/F system, is used for orthopedic examinations.



Examination range:
133 cm
(when using 35 x 43 cm cassette)



Wide coverage ensures a large examination area

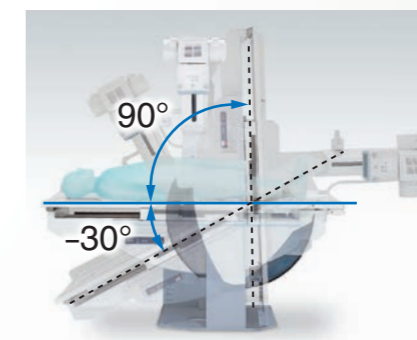
Multiple Cassette Sizes Facility

A selection of cassette sizes, from 18 X 24 cm to 35 X 43 cm, can be used to handle a broad range of examinations, from thoracic to orthopedic. This system's phototimer(option) ensures consistent radiography and use of the 35 X 43 cm cassette allows capture of a large field in a single image.

Sub-divisional Spot Filming

High-speed Sub-divisional spot filming function makes it easy to perform accurately timed left/right 2-frame radiography of the esophagus and other regions. (Top/bottom 2-frame imaging and 4-frame imaging are available as options.)

Table tilting range:
-30° to 90°
(trendelenburg position) (vertical position)



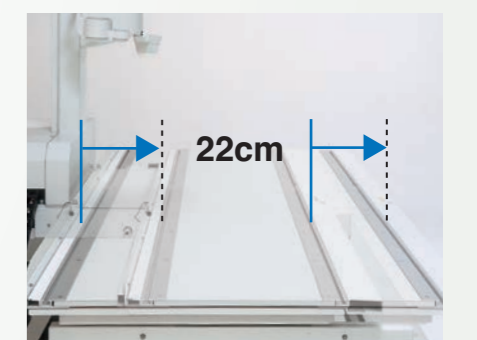
Allows control of contrast media flow and performance of orthopaedic examinations

Bedside Switches

Tabletop and imaging chain operation switches are provided on the tabletop to allow examinations and positioning while caring for the patient.



Lateral table movement:
22 cm



Allows easy imaging of peripheral anatomy without the need to shift the patient on the tabletop

Entire System Designed to Ensure High Image Quality

Since developing the world's first remote-control R/F system, Shimadzu has, with continued to provide cutting-edge technology FLEXAVISION has been packed with the functions and performance required by clinical facilities. Its components, including the R/F table, X-ray generator, X-ray tube, and image intensifier, were all developed in-house to create a unified system that produces high-quality images.

Easy-to-Use Operating Console

(Intercom is an option.)



Designed considering the space restrictions of an operating room, a tabletop-type console that fits on a standard work desk is also available.

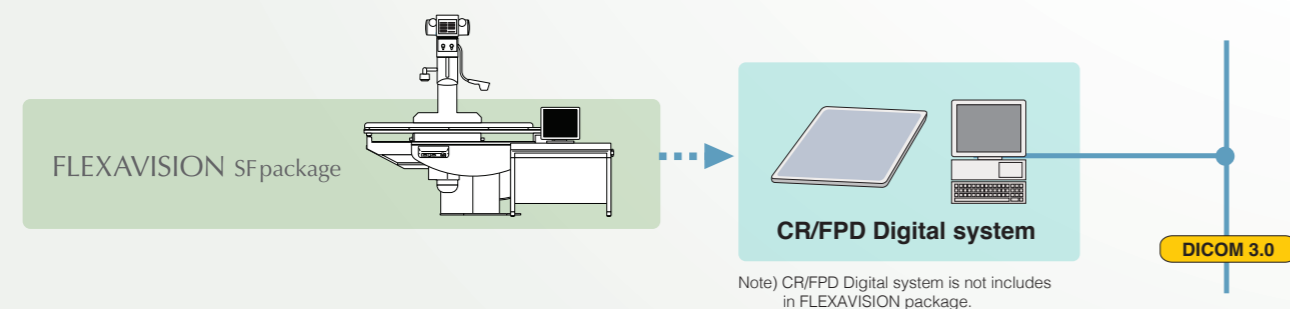


"Memory Shot" Function

Automatically and instantly set the optimum radiography conditions for the region of interest and operating procedure from the fluoroscopy conditions.

Digital Network Compatibility

Improve examination efficiency by storing digital images acquired via the CR system using an electronic patient record system equipped with an image filing function and use them for observation and creating reports.



Dose Management

FLEXAVISION not only provides high-definition images with the optimal image quality for each examination. It also effectively reduces the total exposure dose in pediatric, gynecological and other examinations where low dose exposures are required.

Lower Dose with a Removable Grid

The FLEXAVISION grid can be inserted or removed to suit the radiography application. The grid can easily be removed for pediatric, obstetrics and gynecological examinations when the radiation dose to the patient must be kept to a minimum.

Area Dosimeter *

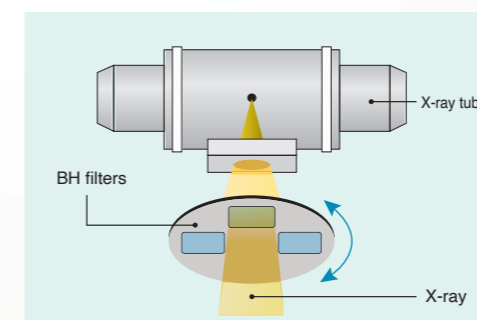
An integrated area dosimeter can be fitted within collimator. The exposure dose reading are displayed on the add-on console.



* Physical DAP meter is also available as an option.

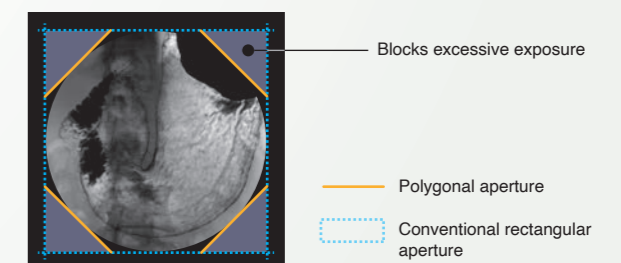
Automatic BH Filters Switch to Suit the Examination

Three beam hardening (BH) filters are provided as standard to efficiently remove unnecessary soft X-rays that do not contribute to image quality. The optimal BH filter is automatically selected to suit the examination, so image quality is increased while exposure dose to the patient is reduced.



Polygonal Aperture Reduces Excessive Exposure

FLEXAVISION has polygonal aperture feature. It reduces exposure levels by blocking the unnecessary X-rays at the four corners of the field of view.



A Variety of Options for Supporting Examinations

■ For General Radiographic / Gastro-intestinal studies

● X-ray tube 180° swing unit

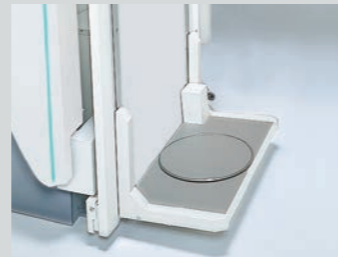
180° rotation of the X-ray tube/collimator easily and effectively accommodates chest examinations using a bucky stand.



● Rolling step

Rolling step has the left-and-right rotational function.

It helps an elderly person to rotate left and right smoothly, and helps a workflow at mass examination.



● X-ray tube swing-out unit

Allows rotating X-ray tube 37°/ 90° to perform chest radiography with a leader stand

● G.I. examination kit *

Compression cone & Barium cup holder



● Compression band

● Mattress

● Oblique projection unit *

● Table elevation function *, **

● Lateral cassette holder



Compression band

■ For Urogenital / Endoscopic studies

● Drain bag

It is for receiving excrement during the examination of the urethra.



● Leg supports

One pair is mounted on the tabletop to support legs.



● Auxiliary tabletop

The tabletop extension kit to mount at the head side .

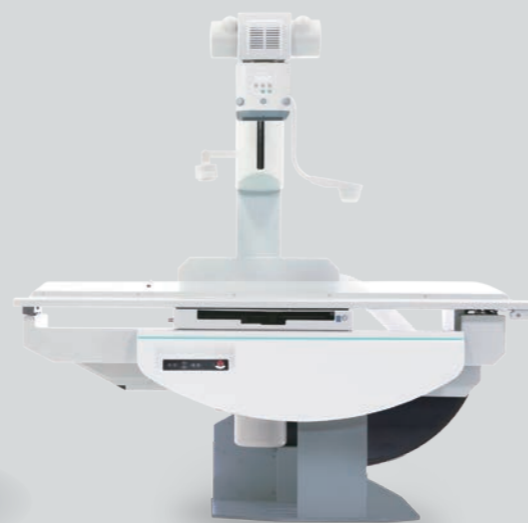
It is useful for flexible positioning in ERCP or lower extremities' studies etc.



● Endoscope support

● Elbow Rest for Operator in urologic procedures

Dimension : 65cmx50cm(WxL)



■ Other Options

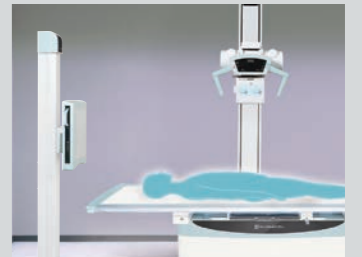
● 2nd -tube option with CH-200M

Combination with CH-200M allows general radiographic techniques such as lateral and decubitus radiography to be performed on the R/F table.



● 2nd -tube option with FH-series

Combination with FH-series and a radiography stand enables the simple and safe performance of a range of procedures from chest and abdomen radiography to general radiography.



● Foot switch

In examination room, it is possible to control radiography and fluoroscopy by foot.



● Local console

● Monitor cart

● Maximum allowable load UP kit

● Direct phototimer

● Intercom for Operation Console

● DAP meter



Local Console

*Indicates options installed at the factory.
** Indicates an option by upon inquiry

Note 1)
Some options cannot be compatible with some system configurations.
Please inquire for the details to our sales representative.



Label Description : REMOTE-CONTROLLED R/F SYSTEM FLEXAVISION

Founded in 1875, Shimadzu Corporation, a leader in the development of advanced technologies, has a distinguished history of innovation built on the foundation of contributing to society through science and technology. We maintain a global network of sales, service, technical support and applications centers on six continents, and have established long-term relationships with a host of highly trained distributors located in over 100 countries. For information about Shimadzu, and to contact your local office, please visit our website at www.shimadzu.com



Shimadzu Corporation

Headquarters

1, Nishinokyo-Kuwabara-cho, Nakagyo-ku, Kyoto 604-8511, Japan
<https://www.shimadzu.com/med/>



Shimadzu Corporation Medical Systems Division has been certified by TÜV Rheinland as a manufacturer of medical systems in compliance with ISO9001:2015 Quality Management Systems and ISO13485:2016 Medical Devices Quality Management Systems.

Remarks:

- Every value in this catalogue is a standard value, and it may vary a little from the actual at each site.
- The appearances and specifications are subject to change for reasons of improvement without notice.
- Items and components in the photos may include optional items. Please confirm with your sales representative for details.
- Certain configurations may not be available pending regulatory clearance. Contact your Shimadzu representative for information on specific configurations.
- Before operating this system, you should first thoroughly review the Instruction Manual.