

---

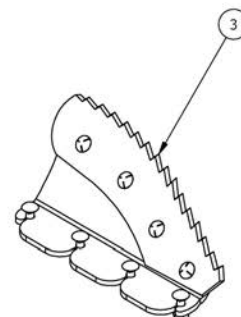
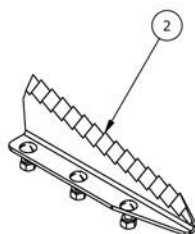
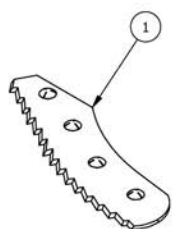
# 5000 stationary mixers

## Table of Contents

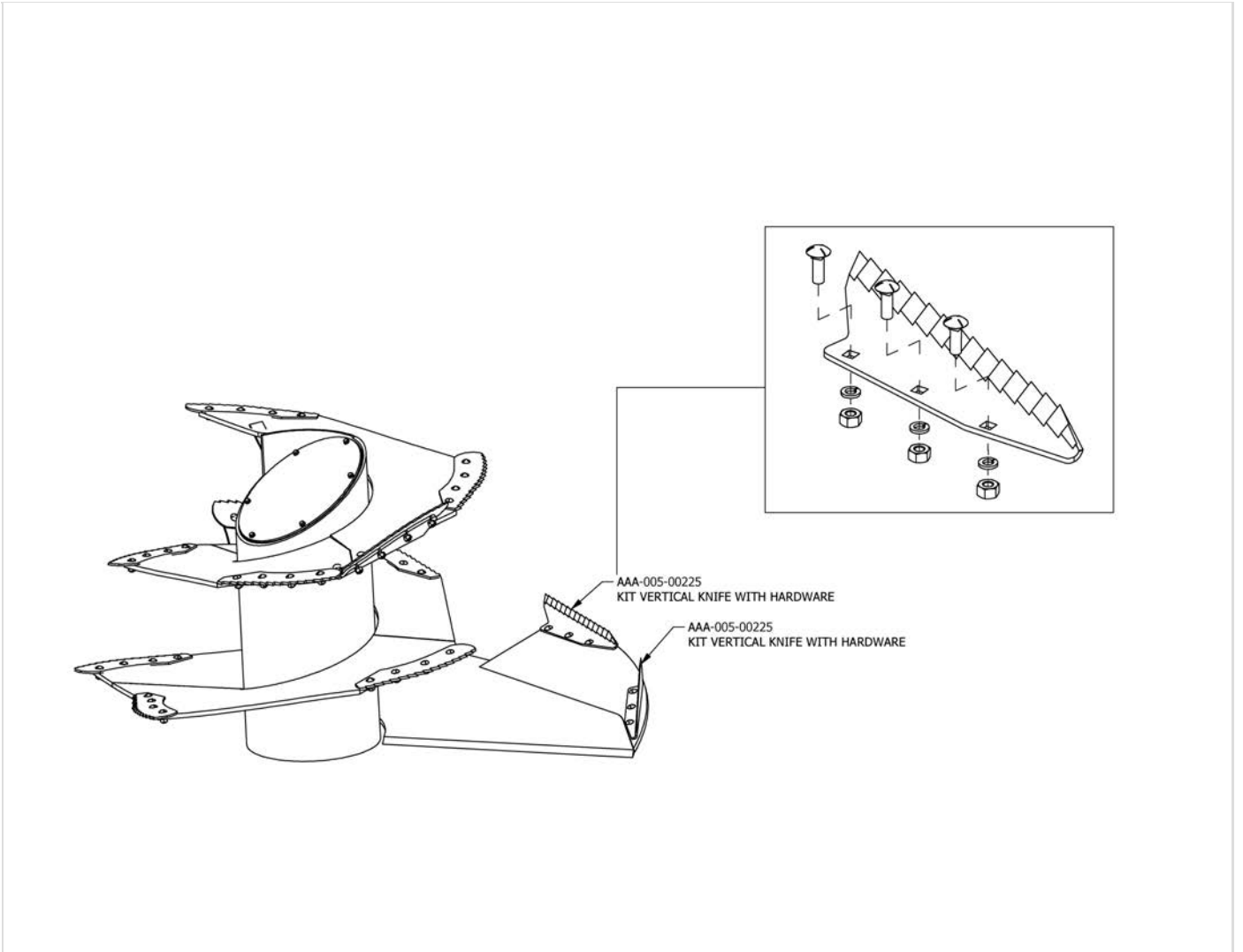
---

Book Page	Page Number
Auger	
Knife Options	3
Vertical Knife	4
Alexander Knife	5
Standard Knife	6
Slide Plate Auger	7
Angling Blade Auger	9
Driveline	
Gearbox Reference Chart	10
1602-1603 Bearing Kit	11
1602-1603 Input-Output Seals	12
1602-1603 Planetary Set	13
1602-1603 Lube System	14
ECS2013 Bevel Gear	15
ECS2013 Gearbox	17
ECS2013 Hardware	18
ECS2013 Lube System	19
ECS2013 Output Support	20
ECS2013 Reduction Stage E200	22
ECS2013 Reduction Stage EM1065	23
2-Speed Gearbox AP502	24
PTO 161	25
PTO 162	26
Single Auger Driveline	27
Twin Auger Driveline	28

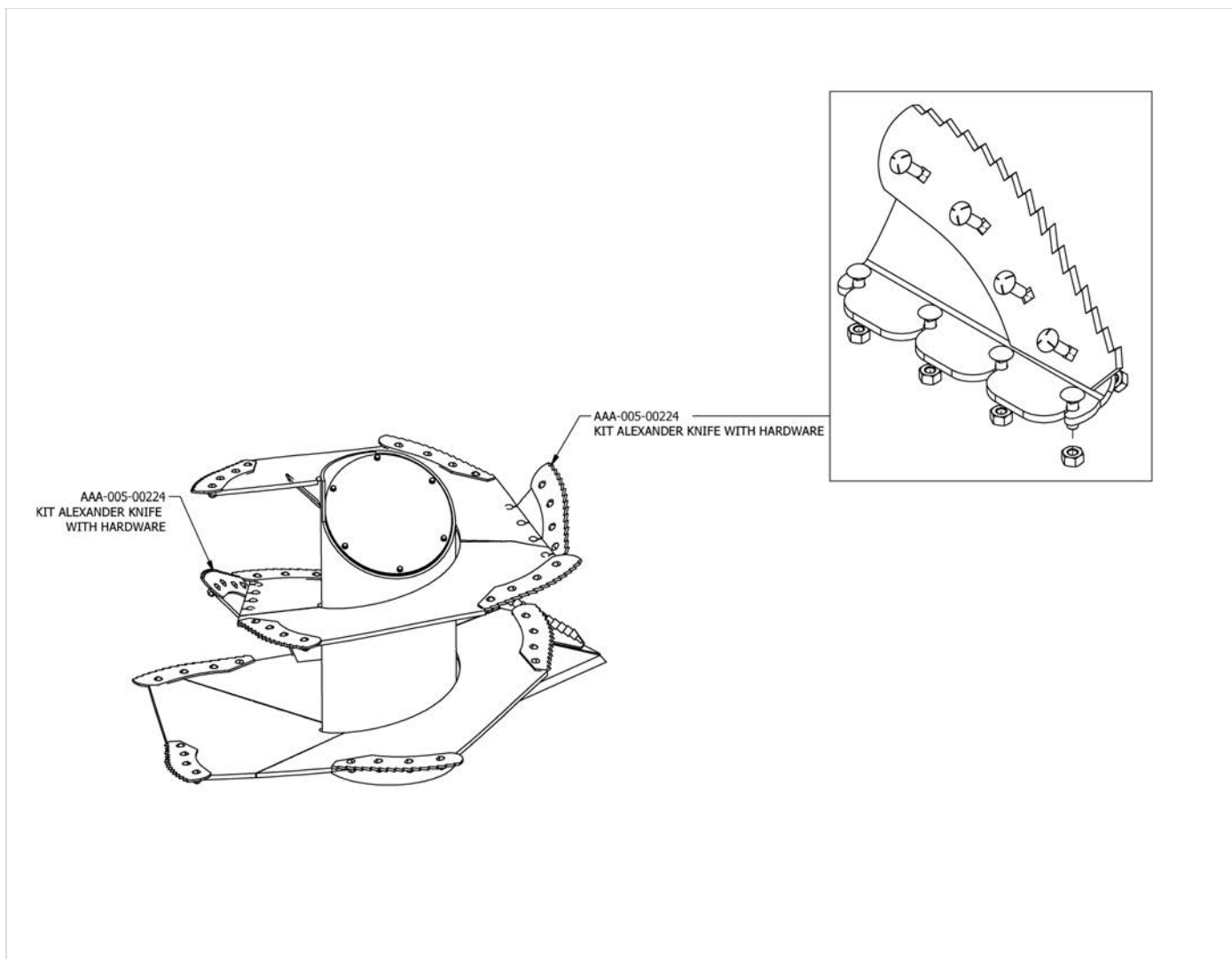
Single Auger Grease Line	29
Twin Auger Grease Lines	30
Drum	
Extensions	31
Hay Ring	32
Viewing Window	34
Restrictor Blade	35
Front Corner Door Hydraulics (Single & Twin Auger)	36
Rear Corner Door Hydraulics (Single Auger)	37
Rear Corner Door Hydraulics (Twin Auger)	38
Door Chutes	39
Corner Door (Single Auger)	40
Corner Door (Twin Auger)	42
C-Side Door (Twin Auger)	44
Front C-Side Door Hydraulics	45
Rear C-Side Door Hydraulics	47
Ladder Platform	49
Electrical	
Scale System (3-point)	50
Scale System (4-point)	51
Scale Accessories	52
Frame	
1-Phase Platform (Single Auger)	53
3-Phase Platform (Single Auger)	55
Twin Auger Platform	57
Drum Feet (Single Auger)	59
Drum Feet (Twin Auger)	60
Power-Pack	
1-Door Power Pack	61
2-Door Power Pack	62



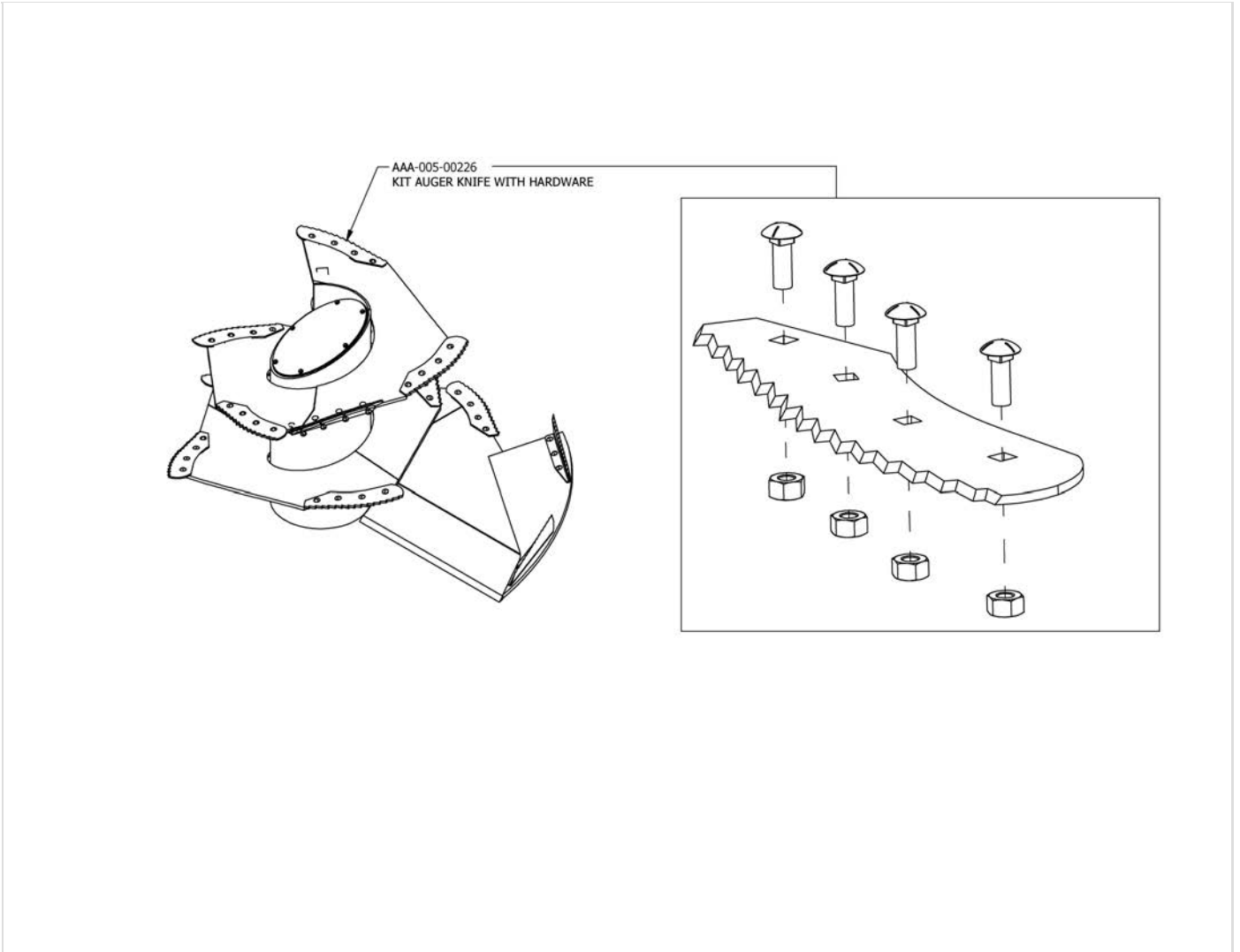
Pos	SKU	Description	Qty	Remark
1	AAA-005-00226	STANDARD KNIFE KIT (INCL HARDWARE)	10	
1	AAA-005-01028	STANDARD 10 KNIFE KIT (INCL HARDWARE)	1	
2	AAA-005-00225	VERTICAL KNIFE KIT (INCL HARDWARE)	3	
3	AAA-005-00224	ALEXANDER KNIFE KIT (INCL HARDWARE)	3	



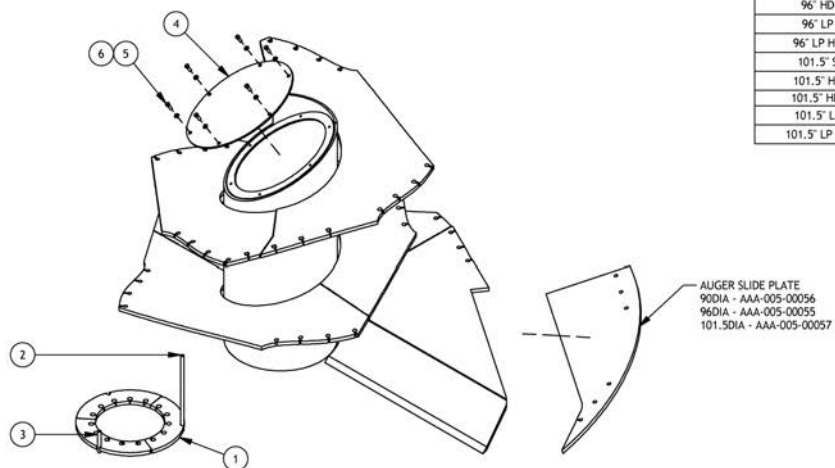
Pos	SKU	Description	Qty	Remark
1	AAA-005-00225	VERTICAL KNIFE KIT (INCL HARDWARE)	1	



Pos	SKU	Description	Qty	Remark
1	AAA-005-00224	ALEXANDER KNIFE KIT (INCL HARDWARE)	1	



Pos	SKU	Description	Qty	Remark
1	AAA-005-00226	STANDARD KNIFE KIT (INCL HARDWARE)	1	
1	AAA-005-01028	STANDARD 10 KNIFE KIT (INCL HARDWARE)	1	



AUGER PART NUMBERS	
AUGER SIZE	PART NUMBER
90" S	AAA-005-00060
90" HD	AAA-005-00265
96" S	AAA-005-00069
96" HD	AAA-005-00238
96" LP	AAA-005-00328
96" LP HD	AAA-005-00332
101.5" S	AAA-005-00063
101.5" HD	AAA-005-00251
101.5" HD*	AAA-005-00296
101.5" LP	AAA-005-00121
101.5" LP HD	AAA-005-00283

AUGER SIZE CHART			
MODEL	90"DIA	96"DIA	101.5"DIA
5350	S		
5400			LP
5425		S	
5575			S
5600		LP	
5650	S		
5750	S, HD		
5850		S, HD	
51000			HD
51250			HD*

S - STANDARD AUGER  
 HD - HEAVY DUTY AUGER  
 LP - LOW PROFILE AUGER

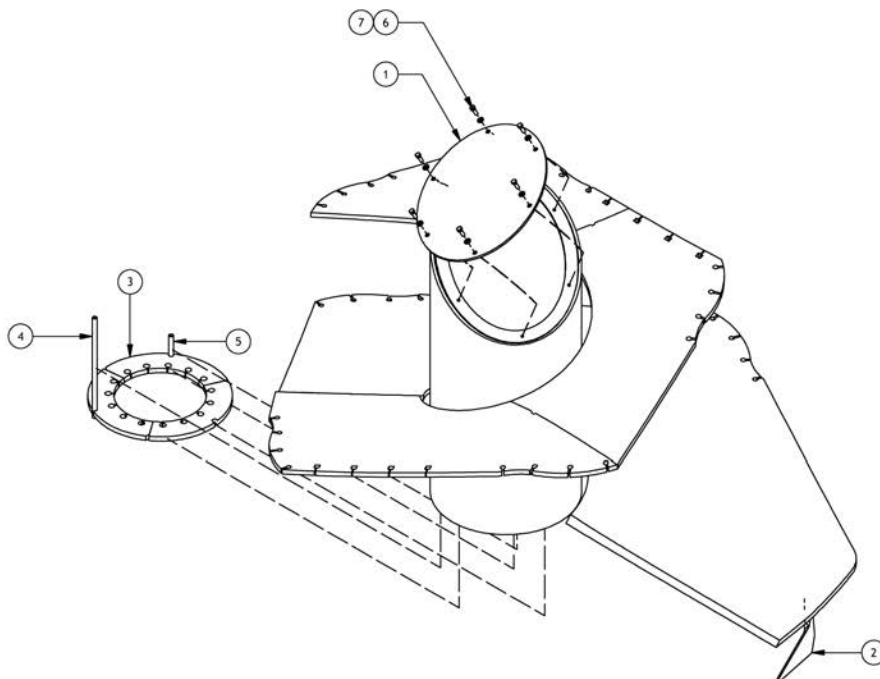
Pos	SKU	Description	Qty	Remark
1	AAA-005-00061	AUGER SUPT RING	1	
2	AAA-005-00978	AUGER PIPE SCH 40 1/4 IN PIPE 14-1/2 IN LONG	1	
3	AAA-005-00979	AUGER PIPE SCH 40 1/4 IN PIPE 4 IN LONG	1	
4	AAA-005-00066	4000 SERIES AUGER CAP	1	
5	AAB-015-10056	BOLT HEX 3/8 X 1 UNC GRD 2	1	
6	AAB-015-30017	WSHR LOCK 3/8	1	
7	AAA-005-00055	96DIA SLIDE PLATE	1	96DIA
7	AAA-005-00056	90DIA SLIDE PLATE 5/8T	1	90DIA
7	AAA-005-00057	101.5DIA SLIDE PLATE 5/8T	1	101.5DIA
8	AAA-005-00060	SLIDE PLATE AUGER ASSY 90DIA	1	90DIA STD
8	AAA-005-00063	SLIDE PLATE AUGER ASSY 101DIA	1	101.5DIA STD
8	AAA-005-00069	SLIDE PLATE AUGER ASSY 96DIA	1	96DIA STD
8	AAA-005-00121	4000 SERIES AUGER ASSY 101.5DIA LP	1	101.5DIA LP STD
8	AAA-005-00238	4000 SERIES AUGER ASSY 96DIA HD	1	96DIA HD
8	AAA-005-00251	4000 SERIES AUGER ASSY 101.5DIA HD	1	101.5DIA HD
8	AAA-005-00265	4000 SERIES AUGER ASSY 90DIA HD	1	90DIA HD

---

Pos	SKU	Description	Qty	Remark
8	AAA-005-00283	4000 SERIES AUGER ASSY 101.5DIA LP HD	1	101.5DIA LP HD
8	AAA-005-00296	4000 SERIES AUGER ASSY 101.5DIA 41250HD	1	101.5DIA HD *51250 ONLY
8	AAA-005-00328	4000 SERIES AUGER ASSY 96DIA LP	1	96DIA LP STD
8	AAA-005-00332	4000 SERIES AUGER ASSY 96DIA LP HD	1	96DIA LP HD

---



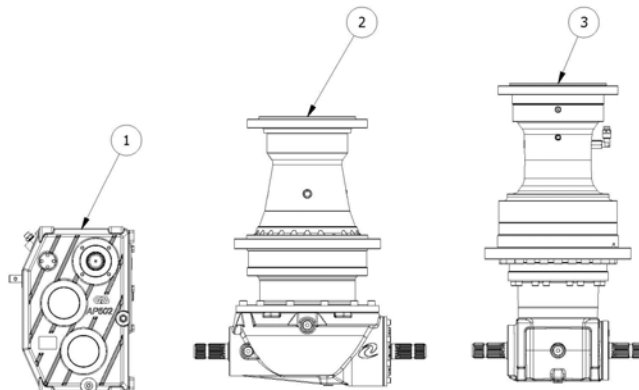


AUGER PART NUMBERS	
AUGER SIZE	PART NUMBER
90' S	AAA-005-00093
90' HD	AAA-005-00270
96' S	AAA-005-00094
96' HD	AAA-005-00246
101.5' S	AAA-005-00099
101.5' HD	AAA-005-00249
101.5' LP	AAA-005-00004
101.5' LP HD	AAA-005-00280

AUGER SIZE CHART			
MODEL	90'DIA	96'DIA	101.5'DIA
5350	S		
5400			LP
5425		S	
5575			S
5600		S	
5650	S		
5750	S, HD		
5850		S, HD	
51000			HD
51250			HD

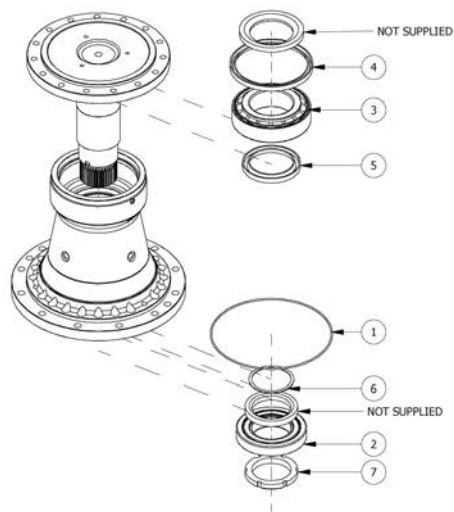
S - STANDARD AUGER  
 HD - HEAVY DUTY AUGER  
 LP - LOW PROFILE AUGER

Pos	SKU	Description	Qty	Remark
1	AAA-005-00086	3000 SERIES AUGER CAP	1	
2	AAA-005-00085	ANGLING BLADE 5/8T	1	
3	AAA-005-00061	AUGER SUPT RING	3	
4	AAA-005-00978	AUGER PIPE SCH 40 1/4 IN PIPE 14-1/2 IN LONG	1	
5	AAA-005-00979	AUGER PIPE SCH 40 1/4 IN PIPE 4 IN LONG	1	
6	AAB-015-10056	BOLT HEX 3/8 X 1 UNC GRD 2	6	
7	AAB-015-30017	WSHR LOCK 3/8	6	
8	AAA-005-00004	ANGLING BLADE AUGER ASSY 101DIA LP	1	101.5DIA LP STD
8	AAA-005-00093	ANGLING BLADE AUGER ASSY 90DIA	1	90DIA STD
8	AAA-005-00094	ANGLING BLADE AUGER ASSY 96DIA	1	96DIA STD
8	AAA-005-00099	ANGLING BLADE AUGER ASSY 101DIA	1	101.5DIA STD
8	AAA-005-00246	3000 SERIES AUGER ASSY 96DIA HD	1	96DIA HD
8	AAA-005-00249	3000 SERIES AUGER ASSY 101.5DIA HD	1	101.5DIA HD
8	AAA-005-00270	3000 SERIES AUGER ASSY 90DIA HD	1	90DIA HD
8	AAA-005-00280	3000 SERIES AUGER ASSY 101.5DIA LP HD	1	101.5DIA LP HD

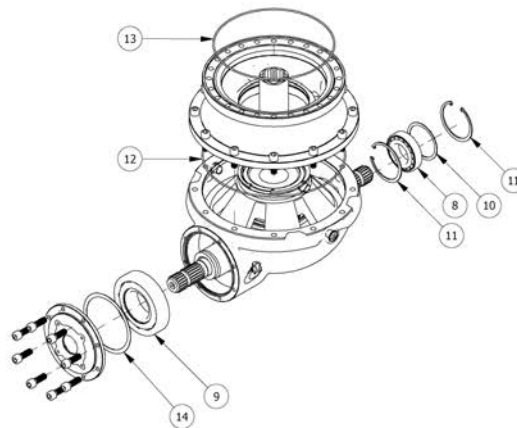


MODEL	AUGER GEARBOX	2-SPEED GEARBOX
5350ST	AAB-007-00671	AAA-007-00734-P3
5425ST	AAB-007-00671	AAA-007-00734-P3
5425ST-3PH	AAB-007-00671	AAA-007-00734-P3
5575ST-3PH	AAB-007-00671	AAA-007-00734-P3
5750ST	AAB-007-00795	NA
5850ST	AAB-007-00795	NA
51000ST	AAB-007-00795	NA

Pos	SKU	Description	Qty	Remark
1	AAA-007-00734-P3	GRBX 2 SPD AP 502 (1.8:1) & (2.7:1) PAINTED	1	
2	AAB-007-00671	GRBX PGA 1602/ 13.4:1/ 1-3/4 Z20/ TOP BREATHER	1	
3	AAB-007-00795	ECS2013 BREVINI 25KNM GRBX 24.3:1	1	



\*TO ORDER ALL PARTS AS A KIT, USE PART # AAA-007-00131\*

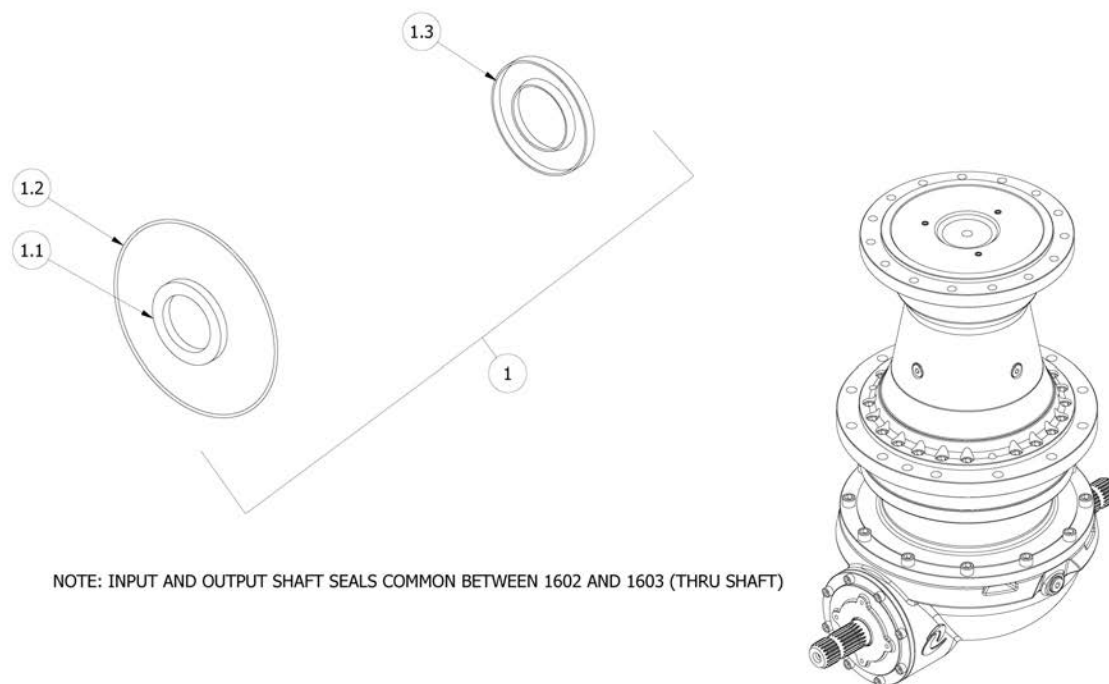


NOTE:  
KITS AVAILABLE FOR:

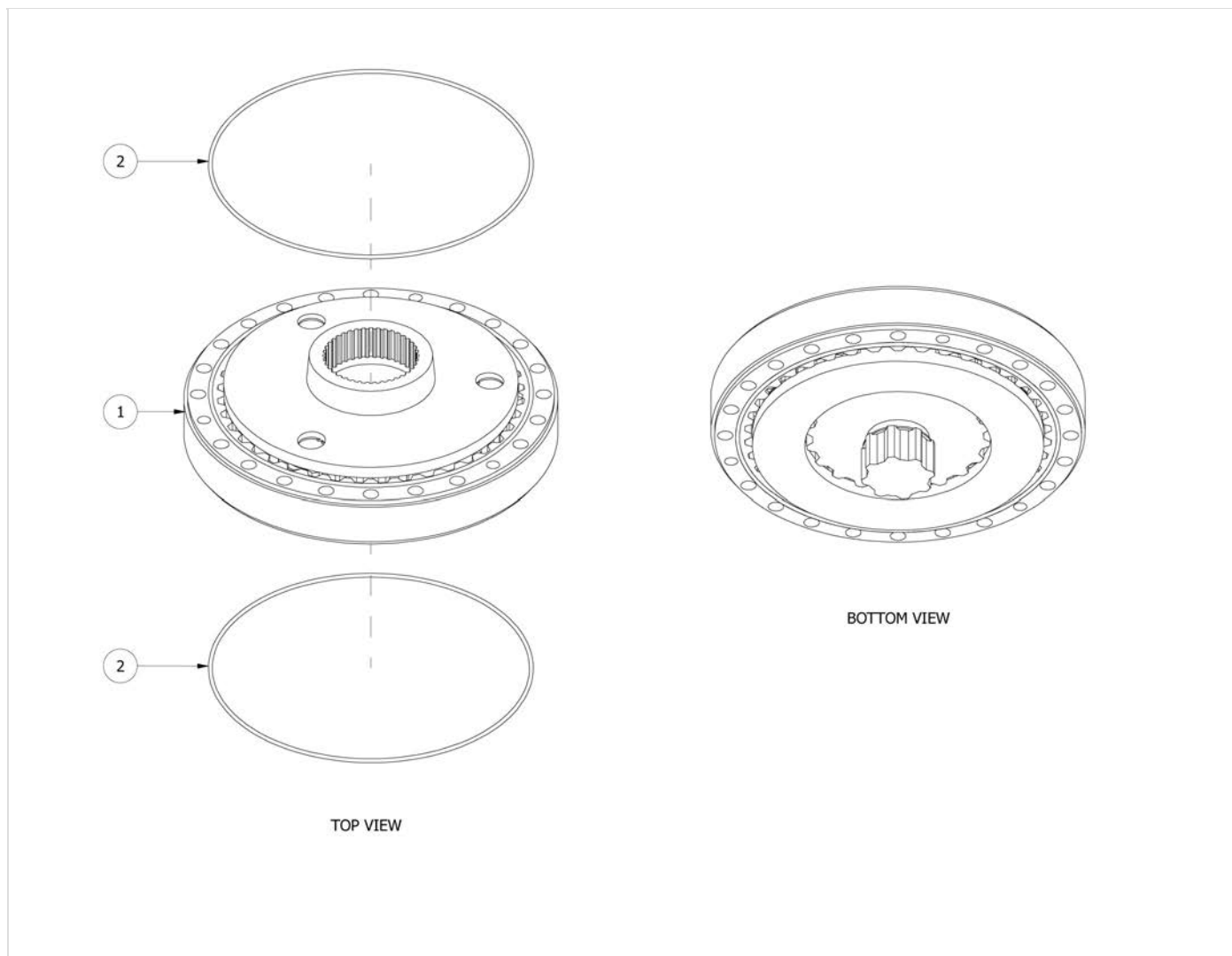
- 1. COMPLETE PLANETARY REDUCTION ASSEMBLY
- 2. INPUT AND OUTPUT SHAFT SEALS

ALL PARTS NOT IN KITS. PLEASE REFER TO MANUFACTURER'S PART LIST IN GEARBOX SECTION

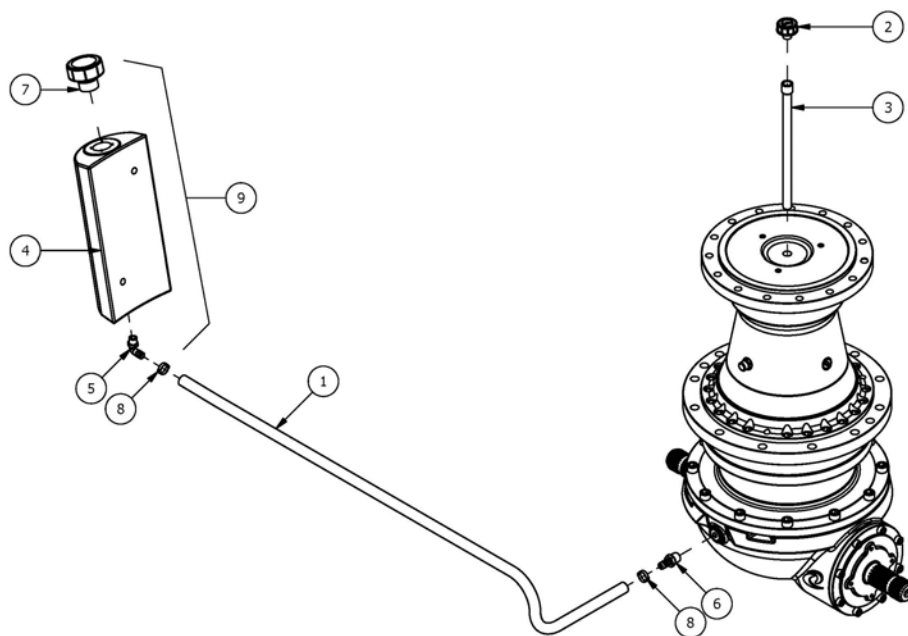
Pos	SKU	Description	Qty	Remark
1	AAB-007-00523	ORING 3.53MM X 291.69MM 41150	2	
2	AAB-007-00237	BRNG TAPER - 32221	1	
3	AAB-007-00238	BRNG TAPERED ROLLER 30219	1	
4	AAB-007-00239	SEAL OIL A 180X200X15 DIN 3750 - NB	1	
5	AAB-007-00242	SEAL OIL A 105X140X12 DIN 3760 - NB	1	
6	AAB-007-00404	KIT SHIM 95.2MM X 109.8MM	1	
7	AAB-007-00244	RING NUT KM19	1	
8	AAB-007-00251	TAPERED ROLLER BEARING 32211	1	
9	AAB-007-00250	TAPERED ROLLER BEARING 30315	1	
10	AAB-007-00645	KIT SHIM 85.3MM X 99.7MM (9479.085.100)	1	
11	AAB-007-00258	INTERNAL CIRCLIP 100MM	2	
12	AAB-007-00408	ORING 41300 3.53mm x 329.79mm	1	
13	AAB-007-00523	ORING 3.53MM X 291.69MM 41150	2	
14	AAB-007-00646	KIT SHIM 140.3MM X 159.6MM (9479.140.160)	1	
15	AAA-007-00131	KIT SEAL / BEARING 1602 / 1603	1	



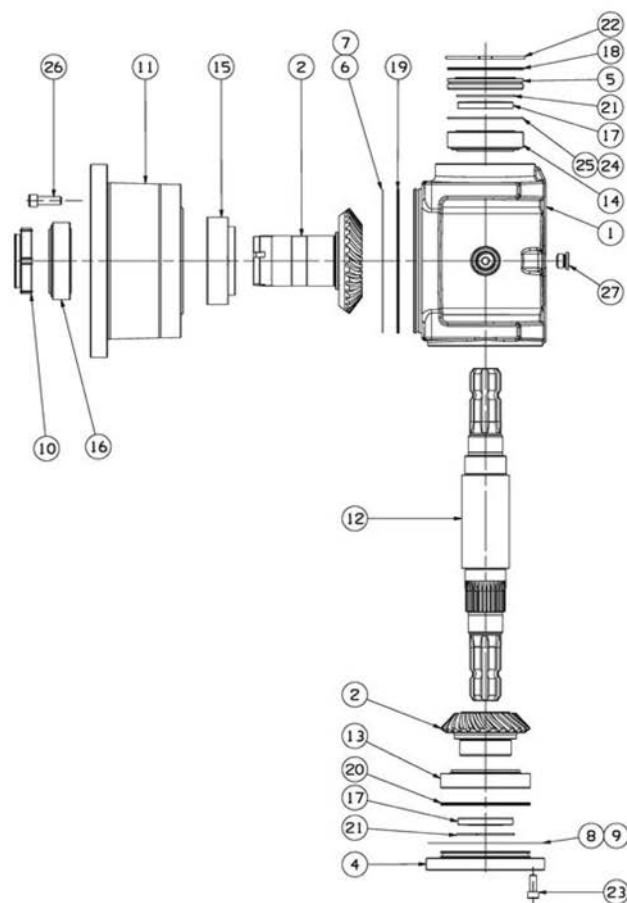
Pos	SKU	Description	Qty	Remark
1	AAA-007-00133	KIT INPUT / OUTPUT SEALS 1602/1603	1	
1.1	AAB-007-00255	OIL SEAL BASL 45 X 72 X 8 DIN 3760 - NB	1	
1.2	AAB-007-00256	O-RING 2.62 X 158.42	1	
1.3	AAB-007-00259	OIL SEAL BASL 55 X 100 X 10	1	



Pos	SKU	Description	Qty	Remark
1	AAB-007-00234	KIT PLANETARY SET PGA 1602VM AND PGA 1603 VM (UPPER PLANETARY SET)	1	
2	AAB-007-00523	ORING 3.53MM X 291.69MM 41150	2	



Pos	SKU	Description	Qty	Remark
1	AAA-008-00092	5000 SERIES OIL RESERVOIR HOSE 1/2" X 120"L	1	
2	AAB-008-00034	BREATHER OPEN 40 MICRON 3/8 NPT	1	
3	AAB-008-00124	STL BREATHER EXTENSION 12L (MALE 3/8G - 6 FNPT)	1	
4	AAB-008-00125	GRBX RESERVOIR 5000 SERIES	1	
5	AAB-008-00126	1/2" MPT X 1/2" BARB 90 DEGREE WHITE NYLON FITTING	1	
6	AAB-008-00127	FIT 8 MNPT X 1/2" BARB	1	
7	AAB-008-00137	BREATHER OPEN 40 MICRON 1-1/4 NPT	1	
8	AAB-015-40024	CLAMP TWO EAR SIZE 22 (FOR 1/2" HOSE)	2	
9	AAA-008-00091	GRBX RESERVOIR ASSEMBLY 5000 SERIES	1	



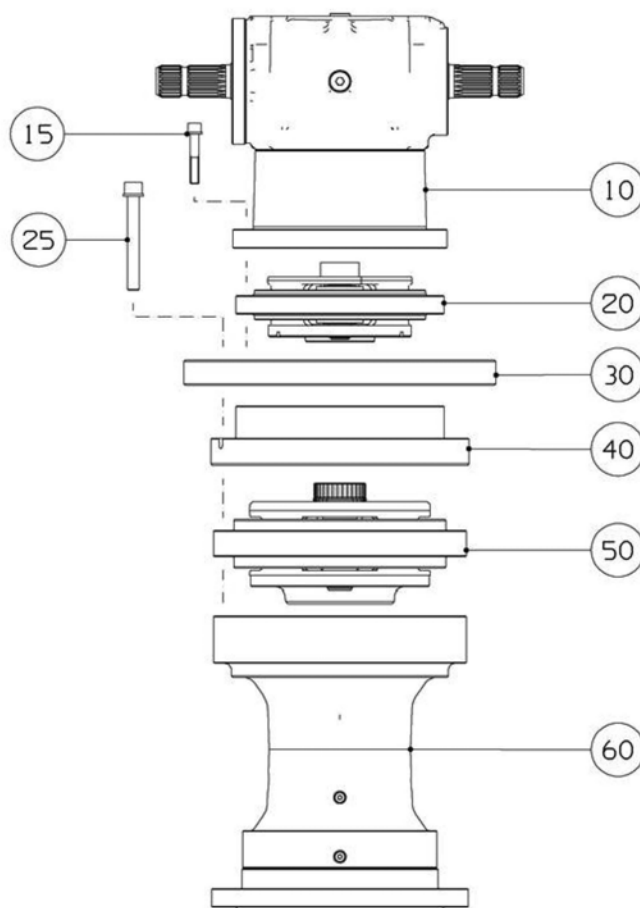
Pos	SKU	Description	Qty	Remark
1	AAB-007-00908	ECS2013 HOUSING C1M/./././..	1	
2	AAB-007-00909	ECS2013 PINION+RING-GEAR CQM/A27/A.27/..	1	
4	AAB-007-00910	ECS2013 COVER C1M/./././IF150	1	
5	AAB-007-00911	ECS2013 COVER C1M/./././IF96	1	
6	AAB-007-00912	ECS2013 SPACER C1M/214/160.4/0.1	1	
7	AAB-007-00913	ECS2013 SPACER C1M/214/160.5/0.15	1	
8	AAB-007-00914	ECS2013 SPACER C1M/167/130.5/0.1	1	
9	AAB-007-00915	ECS2013 SPACER C1M/167/130.5/0.15	1	
10	AAB-007-00916	ECS2013 LOCK NUT C1MM75x2/4T/..	1	
11	AAB-007-00917	ECS2013 INTERMEDIATE FLANGE EM1065/./././CM1	1	
12	AAB-007-00918	ECS2013 SHAFT C1M/1-3_4z20/././1-3_4z20	1	
13	AAB-007-00919	ECS2013 BEARING 30215 DIN720	1	
14	AAB-007-00920	ECS2013 BEARING 33212 DIN720	1	
15	AAB-007-00921	ECS2013 BEARING 33215 DIN720	1	
16	AAB-007-00922	ECS2013 BEARING 33015 DIN720	1	
17	AAB-007-00923	ECS2013 OIL SEAL BASL50x80x10 VITON	2	
18	AAB-007-00924	ECS2013 O-RING 2-155 101.27x2.62	1	

---

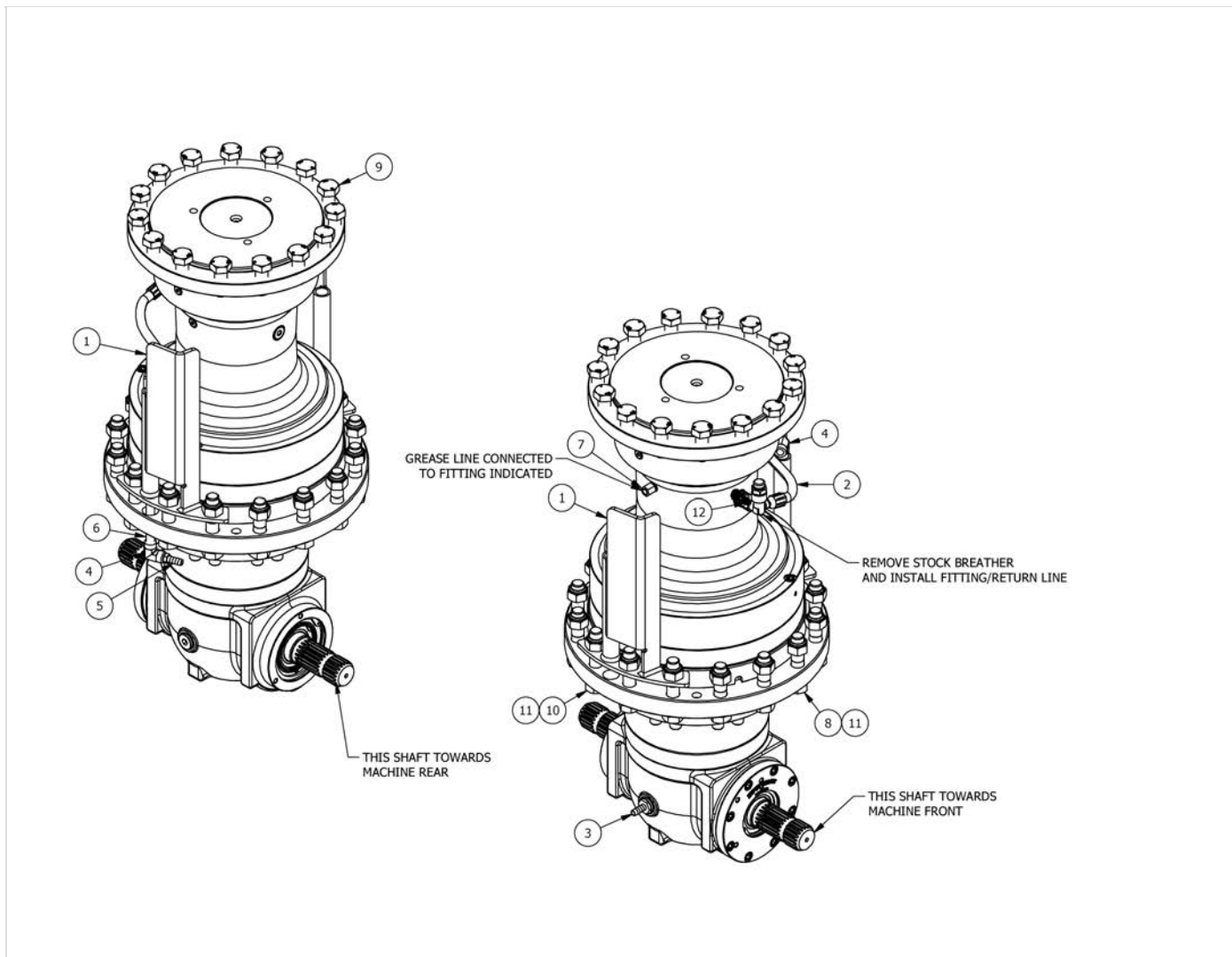
Pos	SKU	Description	Qty	Remark
19	AAB-007-00925	ECS2013 O-RING 2-172 209.22x2.62	1	
20	AAB-007-00926	ECS2013 O-RING 2-249 123.42x3.53	1	
21	AAB-007-00927	ECS2013 CIRCLIP INT. 80 UNI7437-75	2	
22	AAB-007-00928	ECS2013 CIRCLIP INT. 110 UNI7437-75	1	
23	AAB-007-00929	ECS2013 SCREW M10x25 UNI5931-67-8.8	8	
24	AAB-007-00930	ECS2013 SHIM PS90x110x0.1 DIN988	1	
25	AAB-007-00931	ECS2013 SHIM PS90x110x2 DIN988	1	
26	AAB-007-00932	ECS2013 SCREW M12x35 UNI5931-67-8.8	12	
27	AAB-007-00933	ECS2013 PLUG G1/2 DIN908 MAGN.INC_O- RING_LANTHANE	3	

---

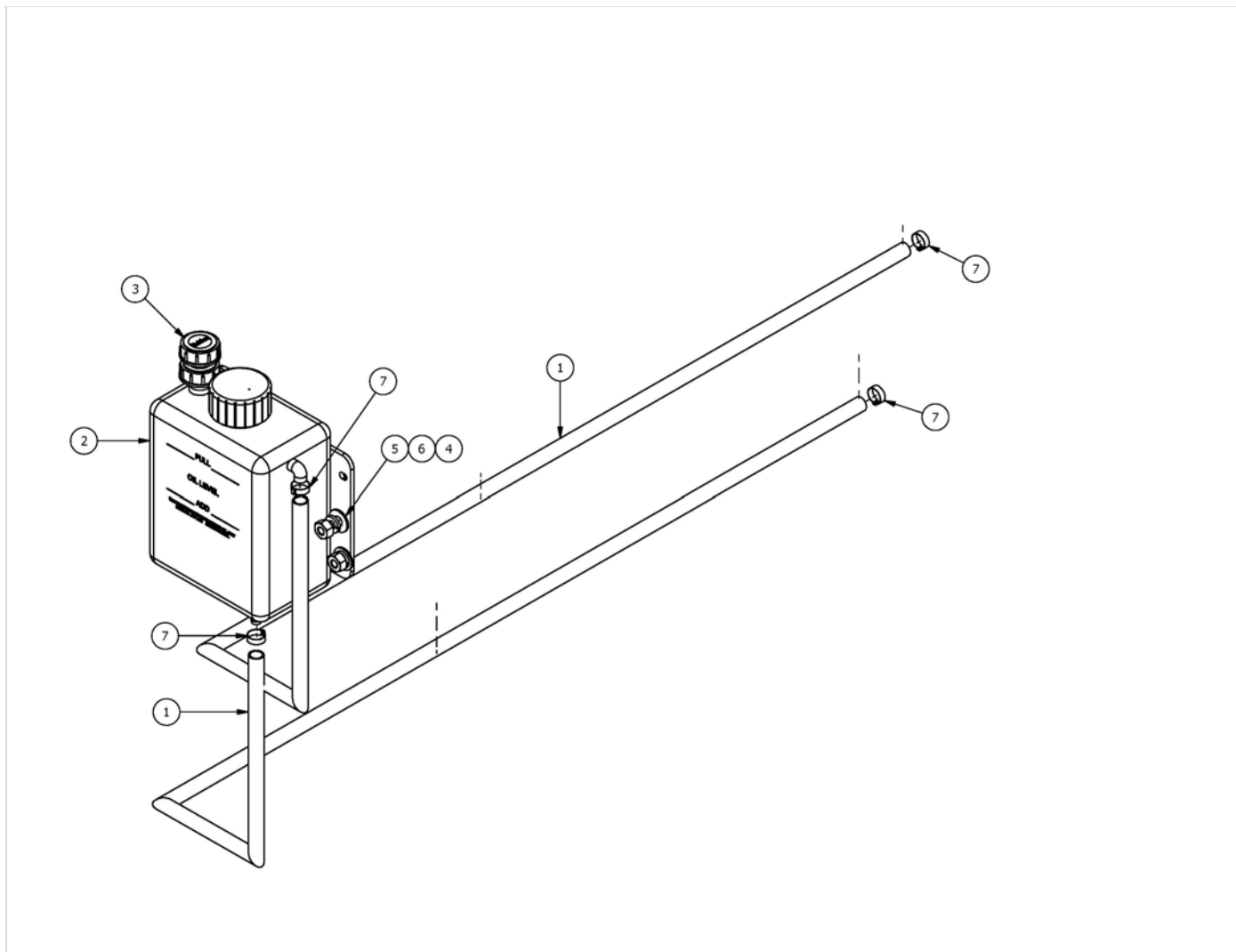




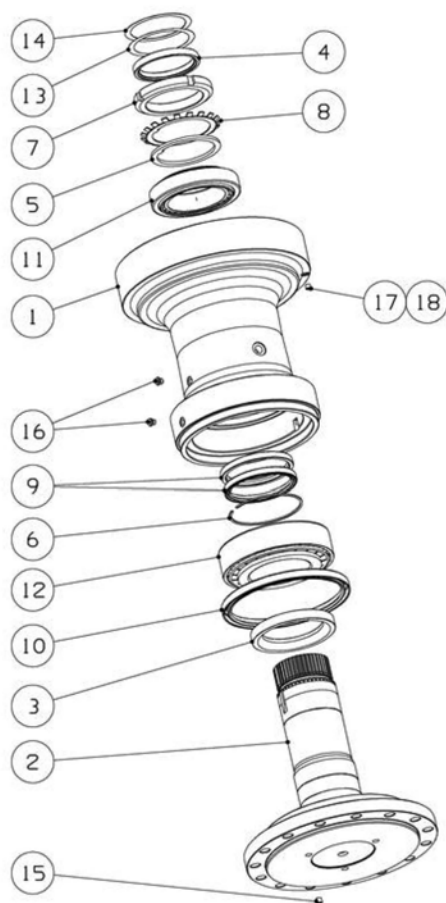
Pos	SKU	Description	Qty	Remark
10	AAB-007-00900	ECS2013 BEVEL GEAR C1M/065/1.27/1-3/4	1	
15	AAB-007-00901	ECS2013 SCREW SET VR 12x70UNI5931-10.9	16	
20	AAB-007-00902	ECS2013 REDUCTION STAGE EM1065/FEc /4.33/GC27	1	
25	AAB-007-00903	ECS2013 SCREW SET VR16x130UNI5931-12.9	24	
30	AAB-007-00904	ECS2013 FLANGE To16/IF385/H34/IF314	1	
40	AAB-007-00905	ECS2013 INTERMEDIATE FLANGE E200/E200_T24f /../065_24f	1	
50	AAB-007-00906	ECS2013 REDUCTION STAGE E200/FEc/4.42/GC32	1	
60	AAB-007-00907	ECS2013 OUTPUT SUPT ES200/FR/EO/E200T	1	



Pos	SKU	Description	Qty	Remark
1	AAA-008-00080	INTERNAL LINE PROTECTOR	4	
2	AAA-009-00149	HOSE HYD 1/4DIA 4 NPT X 4 JIC 90 DEG SWIVEL	2	
3	AAB-008-00002	FIT 8 MNPT X 3/8 BARB	2	
4	AAB-008-00004	FIT 90DEG 4 FNPT X 4 FNPT	2	
5	AAB-008-00006	FIT 4 MNPT X 3/8 BARB	4	
6	AAB-008-00021	PIPE BLACK 1/4DIA X 4MNPT X 4MNPT X 11L	2	
7	AAB-008-00120	9035-02-02 MALE BSPP X FEMALE NPT	2	
9	AAB-015-10152	M20-2.5 X 50MM CLASS 10.9 ZINC CAP SCREW	30	
10	AAB-015-10153	M20-2.5 X 100MM CLASS 10.9 ZINC CAP SCREW	12	
11	AAB-015-20044	M20-2.5 ZINC PLATED NYLON LOCK NUT	32	
12	AAB-008-00148	FIT ADPT 4 MJIC X 6 BSPP	2	



Pos	SKU	Description	Qty	Remark
1	AAA-008-00016	HOSE LWR OIL RSVR	2	
2	AAB-008-00022	OIL RSVR 3QT ASSY PLASTIC TNK (WITH BREATHER)	1	
3	AAB-008-00034	BREATHER OPEN 40 MICRON 3/8 NPT	1	
4	AAB-015-20017	NUT HEX 3/8 UNC GRD 2	4	
5	AAB-015-30012	WSHR FLAT 3/8 USS	4	
6	AAB-015-30017	WSHR LOCK 3/8	4	
7	AAB-015-40006	CLAMP ONE EAR 11/16	4	

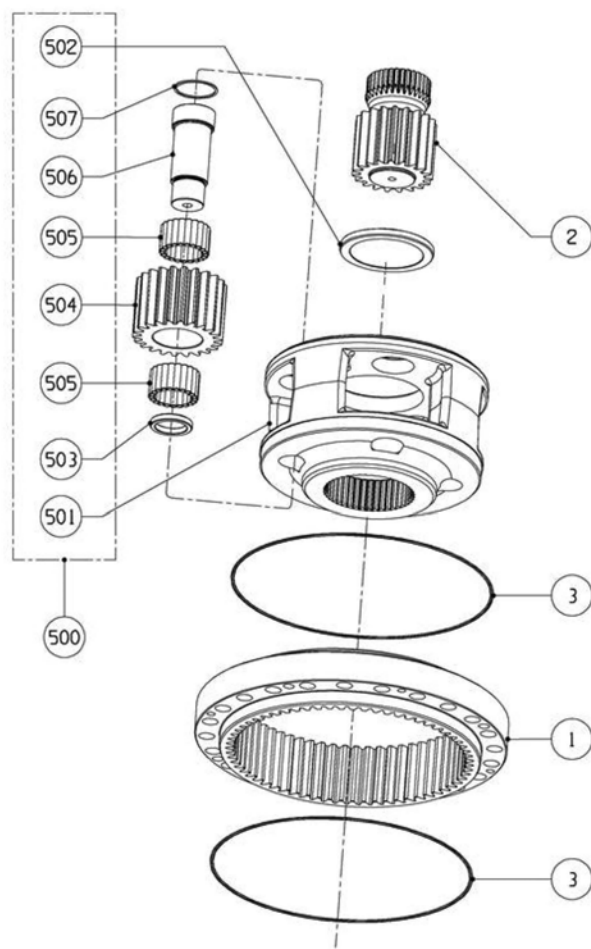


Pos	SKU	Description	Qty	Remark
1	AAB-007-00943	ECS2013 SUPPORT ES200/D261/EO/E200T_24fM16	1	
2	AAB-007-00944	ECS2013 DRIVING FLANGE ES200/IF314/././B44	1	
3	AAB-007-00945	ECS2013 SPACER ES200/150/110/18	1	
4	AAB-007-00946	ECS2013 SPACER ES200/118/99.3/13	1	
5	AAB-007-00947	ECS2013 WASHER ES150/125/105_1D/5	1	
6	AAB-007-00948	ECS2013 DISK INT. SB 130	1	
7	AAB-007-00949	ECS2013 LOCK NUT KM21 DIN981	1	
8	AAB-007-00950	ECS2013 TAB WASHER MB21 DIN5406	1	
9	AAB-007-00951	ECS2013 OIL SEAL A110x130x12 DIN3760-NB	2	
10	AAB-007-00952	ECS2013 OIL SEAL A200x230x15 DIN3760-NB	1	
11	AAB-007-00953	ECS2013 BEARING 32021 DIN720	1	
12	AAB-007-00954	ECS2013 BEARING 32222 DIN720	1	
13	AAB-007-00955	ECS2013 SHIM PS100x120x0.2 DIN988	2	
14	AAB-007-00956	ECS2013 SHIM PS100x120x0.5 DIN988	1	
15	AAB-007-00957	ECS2013 SCREW M10x10 UNI5923-67-12.9	3	
16	AAB-007-00958	ECS2013 PLUG G1/8 DIN908 MAGN.INC_O-RING_LANTHANE	4	

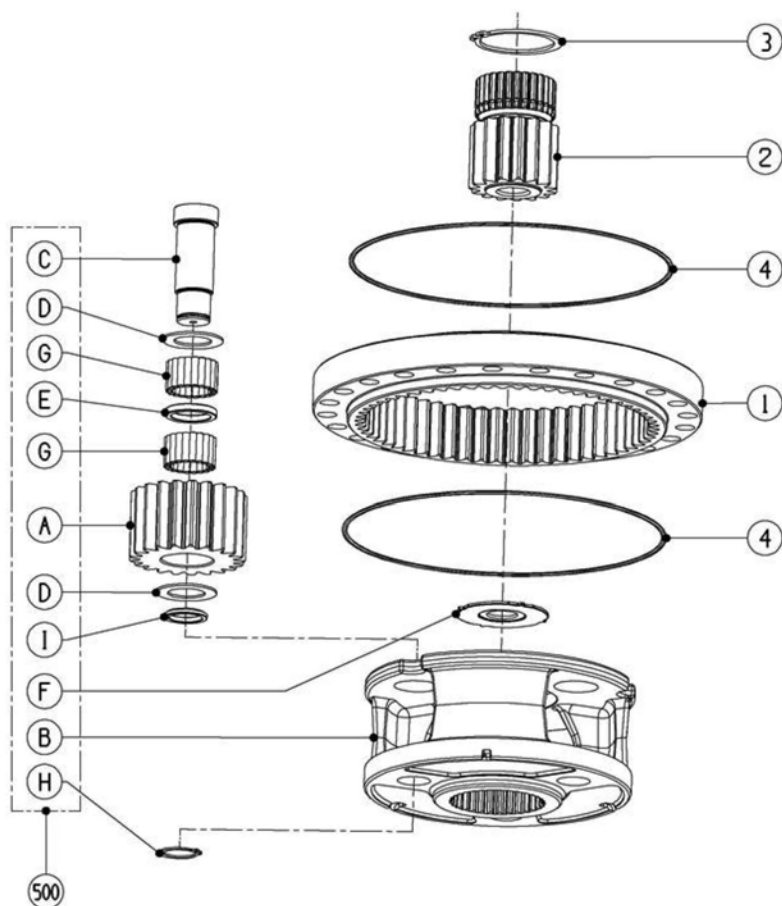
---

<b>Pos</b>	<b>SKU</b>	<b>Description</b>	<b>Qty</b>	<b>Remark</b>
17	AAB-007-00959	ECS2013 PLUG G1/8 DIN906	1	
18	AAB-007-00960	ECS2013 PLUG G1/4 DIN906	1	

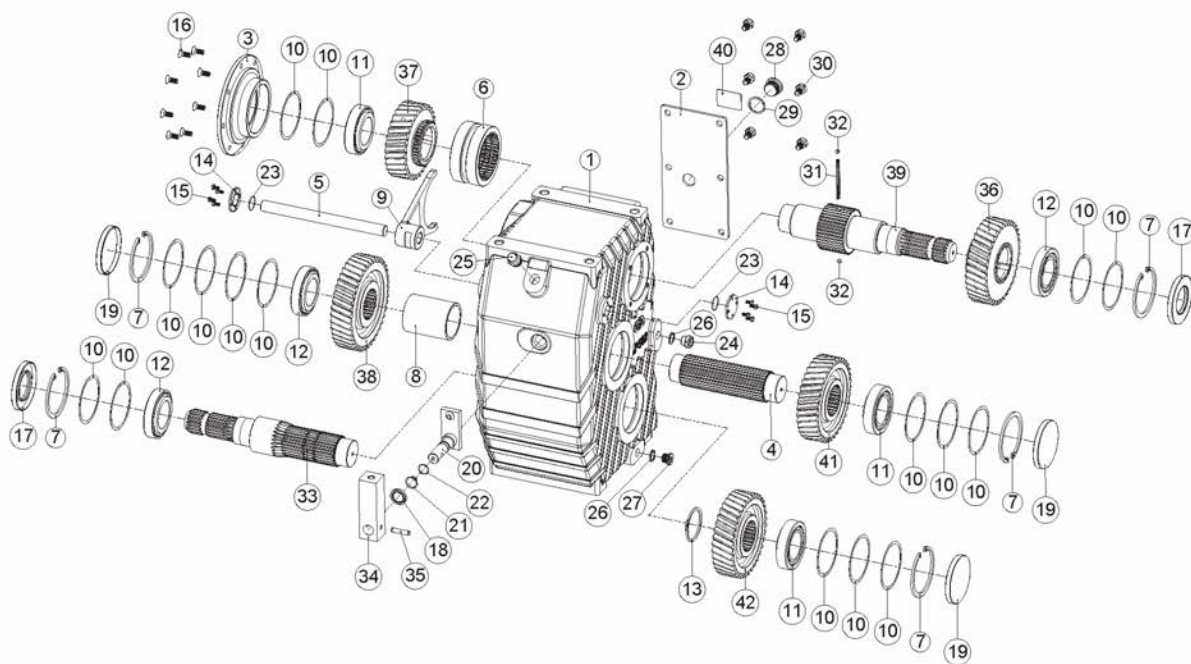
---



Pos	SKU	Description	Qty	Remark
1	AAB-007-00939	ECS2013 RING-GEAR E150/T24F../Z65M4	1	
2	AAB-007-00940	ECS2013 SUN PINION E200/Z19M4/4.42/B32	1	
3	AAB-007-00941	ECS2013 O-RING 281.3x2.62	2	
500	AAB-007-00942	ECS2013 REDUCTION STAGE E200/FEc/4.42/SGC	1	

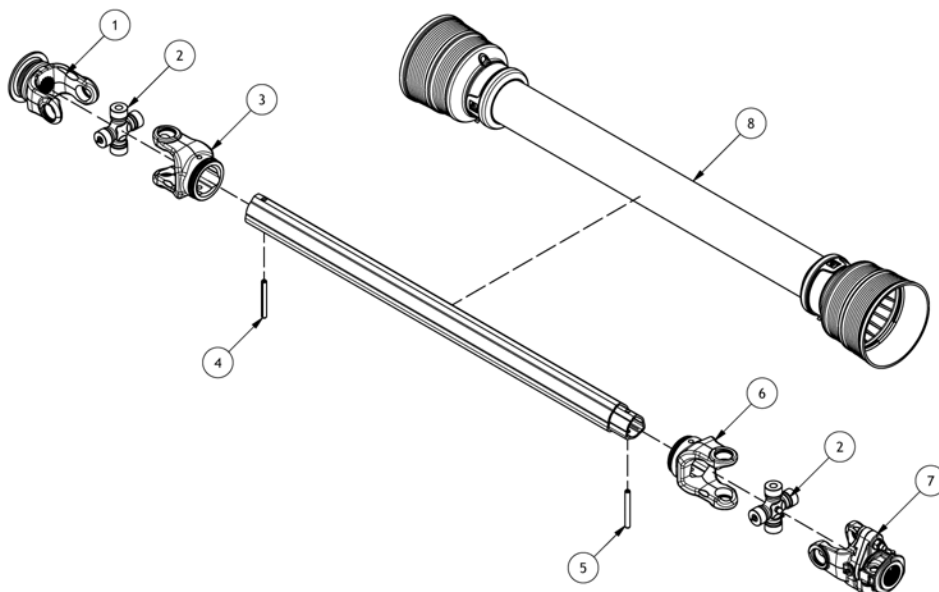


Pos	SKU	Description	Qty	Remark
1	AAB-007-00934	ECS2013 RING-GEAR EM1065/24F../Z60M3.5	1	
2	AAB-007-00935	ECS2013 SUN PINION EM1065/Z18M3.5/4.33/B27	1	
3	AAB-007-00936	ECS2013 CIRCLIP EST.57 UNI7435-75	1	
4	AAB-007-00937	ECS2013 O-RING 2-175 228x2.62	2	
500	AAB-007-00938	ECS2013 REDUCTION STAGE EM1065/FEc/4.33/SGC	1	



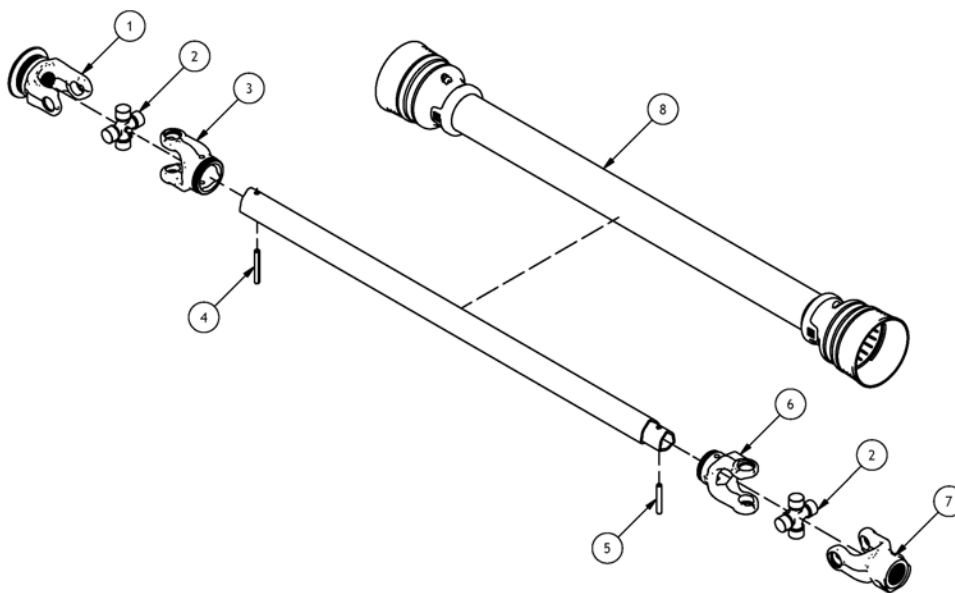
Pos	SKU	Description	Qty	Remark
7	AAB-007-00366	RETAINING RING 2 SPD OUTPUT SHAFT D901 DIN 472	5	
10	AAB-007-00482	SHIM KIT AP502 80MM X 90MM x 0.5MM	16	
11	AAB-007-00483	BRNG SHAFT AP502 (32210)	3	
12	AAB-007-00513	BRNG TAPER ROLLER (30210)	3	
13	AAB-007-00510	RETAINING RING INTERNALD.90 UNI 7437 SHAFT ASSY	1	
17	AAB-007-00365	SEAL 2 SPD OUTPUT SHAFT BACK 50MM X 90MM X 10MM	2	
18	AAB-007-00487	SEAL AP502	1	
19	AAB-007-00501	CAP 90MM X 10MM	3	
22	AAB-007-00620	ORING AP502 gearbox ANELLO OR METRICO Øint. 17 x Øcor. 1.5 1 07.OR.170-15	1	





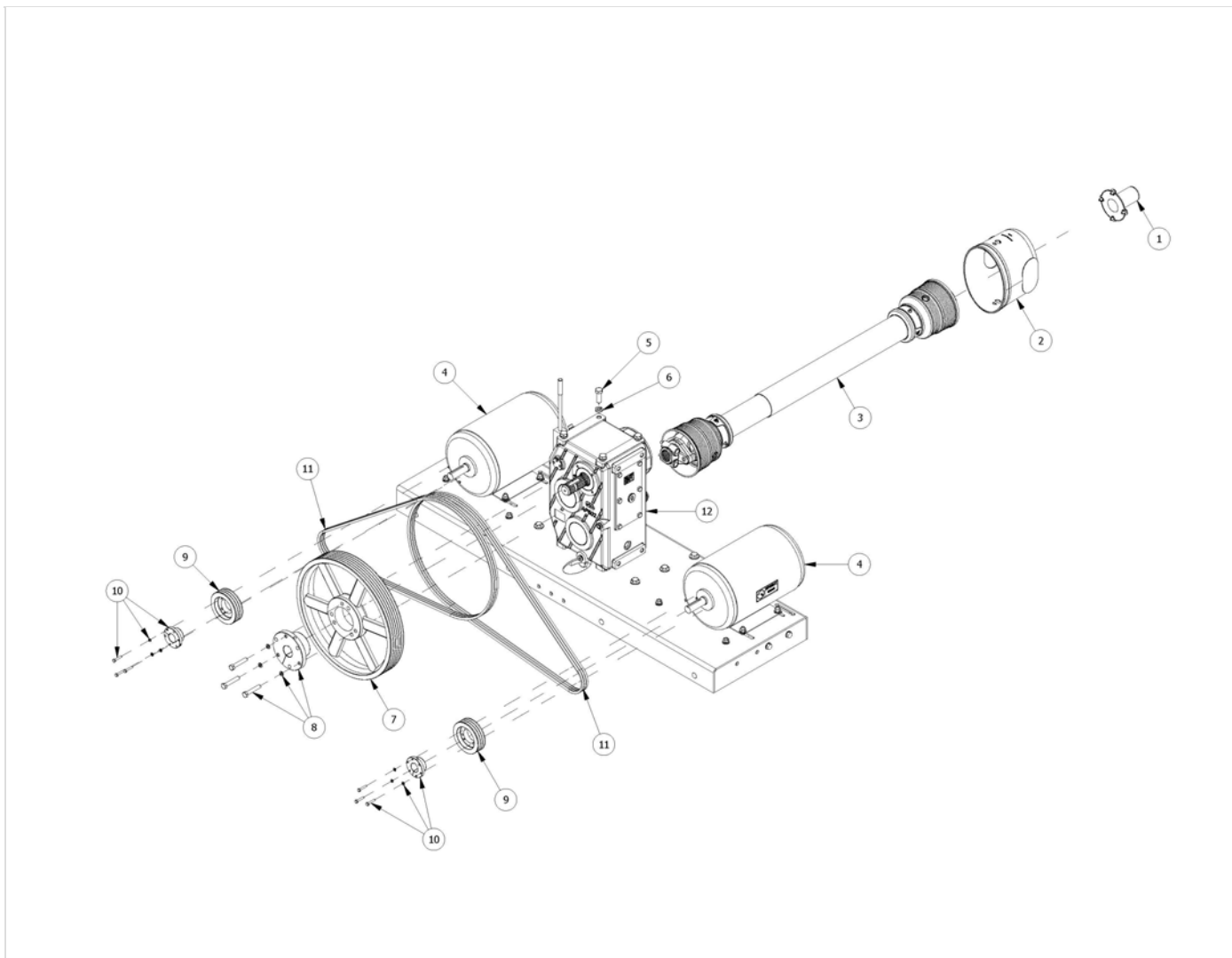
NOTE: TO ORDER ENTIRE DRIVESHAFT USE PART # AAB-007-00161

Pos	SKU	Description	Qty	Remark
1	AAB-007-01282	YOKE ASSEMBLY PULL COLLAR IMPLEMENT NUM 8 1-3/4 Z20 (1018028)	1	
2	AAB-007-00190	CROSS ASSEMBLY NUM 8 (106.4MM x 34.9MM) (1008020)	1	
3	AAB-007-00191	OUTER TUBE YOKE NUM 8 (1708027)	1	
4 & 5	AAB-007-00193	10X90 1485DIN ROLL PIN (6331090)	2	
6	AAB-007-00194	INNER TUBE YOKE NUM 8 (1708029)	1	
7	AAB-007-00196	YOKE ASSEMBLY NUM 8 1-3/4 Z20 W/ SHEAR BOLT (1498234)	1	
8	AAB-007-01349	COMPLETE PROTECTION NUM 8 (96SS8092)	1	
9	AAB-007-00161	PTO NUM 8 1-3/4F 20SP X 1-3/4F 20SP SB X 48.03/73.82	1	

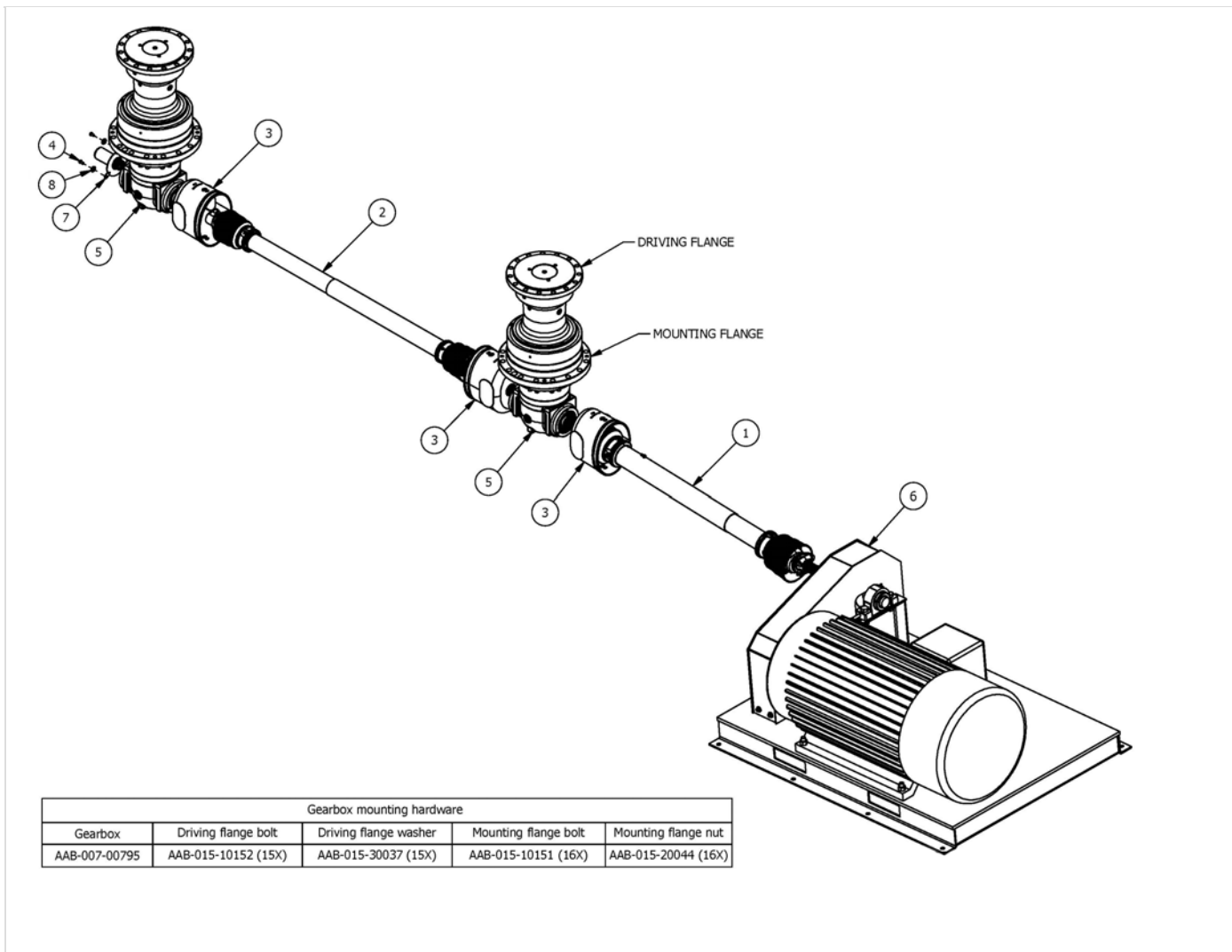


NOTE: TO ORDER ENTIRE DRIVESHAFT USE PART # AAB-007-00162

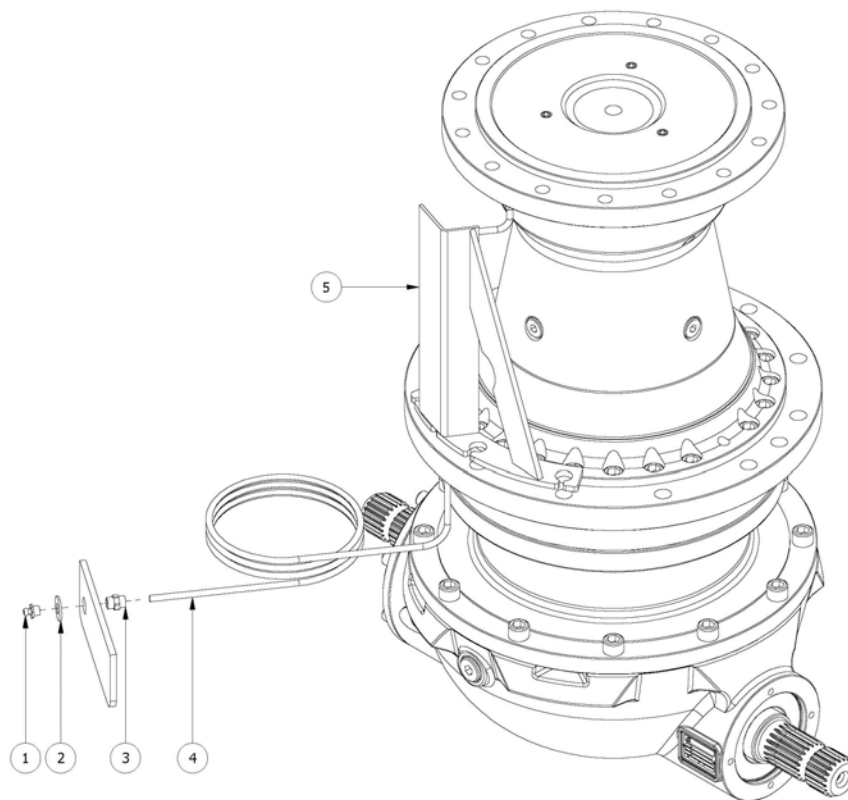
Pos	SKU	Description	Qty	Remark
1	AAB-007-01281	YOKE ASSEMBLY PULL COLLAR TRACTOR NUM 6 1-3/4 Z20 (1016028)	1	
2	AAB-007-00183	CROSS ASSEMBLY NUM 6 (1006020)	1	
3	AAB-007-00184	OUTER TUBE YOKE NUM 6 (1706027)	1	
4	AAB-007-00177	10X80 1485DIN ROLL PIN NUM 6 (6331080)	1	
5	AAB-007-01240	10X70 1485DIN ROLL PIN (6331070)	1	
6	AAB-007-00173	INNER TUBE YOKE NUM 6 (1706029)	1	
7	AAB-007-00185	YOKE ASSEMBLY PUSH PIN IMPLEMENT NUM 6 1-34 Z20 (1026025)	1	
8	AAB-007-01343	COMPLETE PROTECTION (90SS6104)	1	
9	AAB-007-01250	ANTIROTATION CHAIN (1006065)	1	
10	AAB-007-00162	PTO NUM 6 1-3/4F 20SP X 1-3/4F 20SP X 51.57/80.31	1	



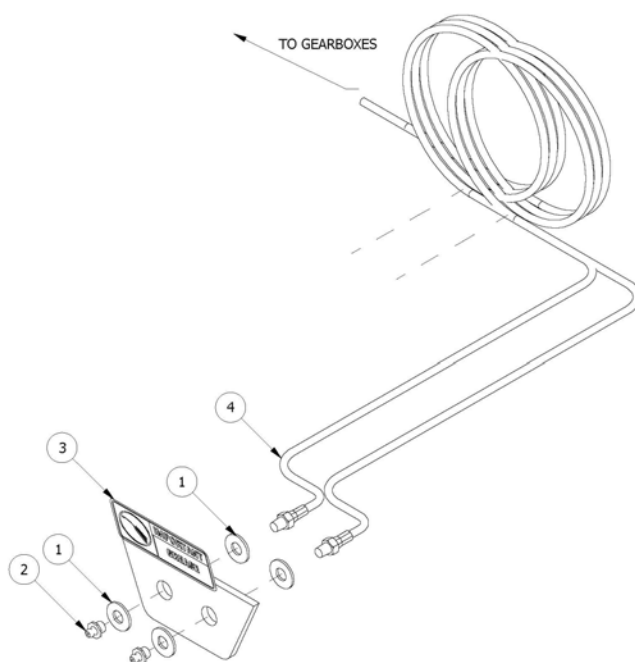
Pos	SKU	Description	Qty	Remark
1	AAB-007-00171	SHIELD FOR REAR SHAFT ON THROUGH SHAFT GRBX	1	
2	AAB-007-00323	PTO COVER BLACK FOR DRIVESHAFT 275MM X217MM X 180MM	1	
3	AAB-007-00161	PTO NUM 8 1-3/4F 20SP X 1-3/4F 20SP SB X 48.03/73.82	1	
4	AAB-007-00600	NEMA 215T MOTOR/ 10HP/ SINGLE PHASE 230V/ 1800RPM/ 1-3/8DIA SHAFT	2	
5	AAB-015-10073	BOLT HEX 16MM X 45MM GRD 10.9	8	
6	AAB-015-30019	WSHR LOCK 5/8	8	
7	AAB-007-00757	PULLEY 6/3V19	1	
8	AAB-007-00759	BUSHING EX 1-3/4	1	
9	AAB-007-00758	PULLEY 3/3V500SDS	2	
10	AAB-007-00760	BUSHING SDS x 1-3/8	2	
11	AAB-007-00676	V BELT 3-3V900	2	
12	AAA-007-00005	GRBX AP502 2-SPEED (1.8:1) (2.7:1) COMPLETE ASSY	1	



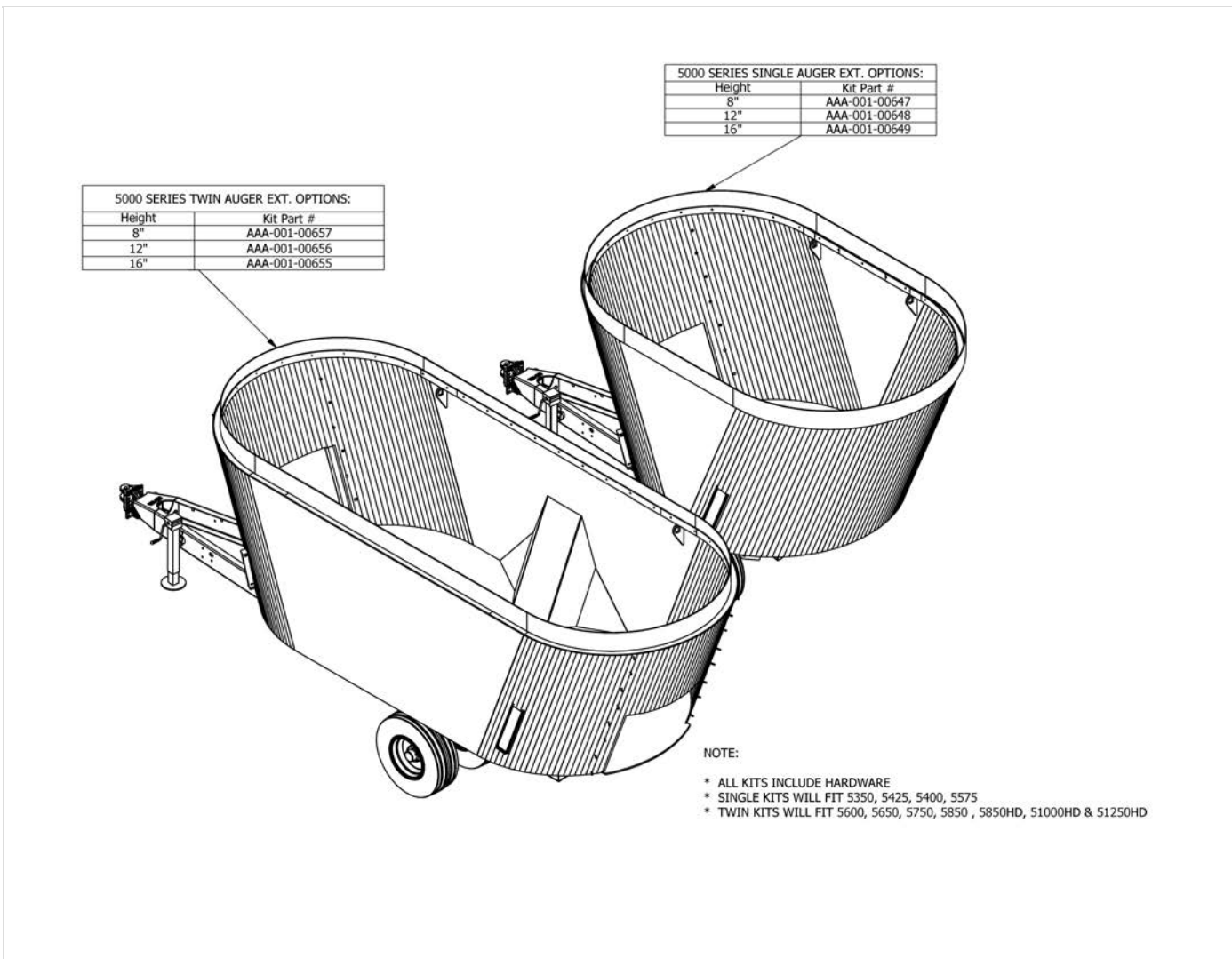
Pos	SKU	Description	Qty	Remark
1	AAB-007-00161	PTO NUM 8 1-3/4F 20SP X 1-3/4F 20SP SB X 48.03/73.82	1	
2	AAB-007-00162	PTO NUM 6 1-3/4F 20SP X 1-3/4F 20SP X 51.57/80.31	1	
3	AAB-007-00323	PTO COVER BLACK FOR DRIVESHAFT 275MM X217MM X 180MM	3	
4	AAB-015-10078	BOLT HEX 8MM X 16MM GRD 8.8	3	
5	AAB-007-00795	ECS2013 BREVINI 25KNM GRBX 24.3:1	2	
6	AAA-007-00816	STATIONARY NEMA 449T PLATFORM ASSY	1	
7	AAB-007-00819	PTO TAIL SHAFT COVER (BREVINI 25KNM GRBX)	1	
8	AAB-015-30012	WSHR FLAT 3/8 USS	3	
9	AAB-007-00795	ECS2013 BREVINI 25KNM GRBX 24.3:1	1	
10	AAB-015-10152	M20-2.5 X 50MM CLASS 10.9 ZINC CAP SCREW	15	
11	AAB-015-30037	WSHR LOCK M20	15	
12	AAB-015-10151	M20-2.5 X 90MM CLASS 10.9 ZINC CAP SCREW	16	
13	AAB-015-20044	M20-2.5 ZINC PLATED NYLON LOCK NUT	16	



Pos	SKU	Description	Qty	Remark
1	AAB-008-00031	FIT GREASE NIPPLE X 2 MNPT	1	
2	AAB-015-30012	WSHR FLAT 3/8 USS	1	
3	AAB-008-00030	FIT 2 FNPT X 2 FNPT	1	
4	AAA-008-00050	GREASE LINE 2 MNPT X 2 MNPT X 90L/ SAE100R7 THERMAL PLASTIC	1	
5	AAA-008-00007	INTERNAL GREASE LINE PROTECTOR ASSY	1	
6	AAA-007-00816	STATIONARY NEMA 449T PLATFORM ASSY	1	



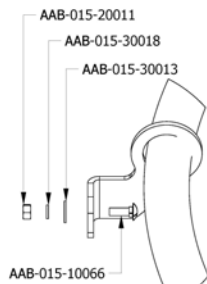
Pos	SKU	Description	Qty	Remark
1	AAB-015-30012	WSHR FLAT 3/8 USS	4	
2	AAB-008-00031	FIT GREASE NIPPLE X 2 MNPT	2	
3	AAB-012-00044	DECAL IMPORTANT GREASE	1	
4	AAA-008-00050	GREASE LINE 2 MNPT X 2 MNPT X 90L/ SAE100R7 THERMAL PLASTIC	2	



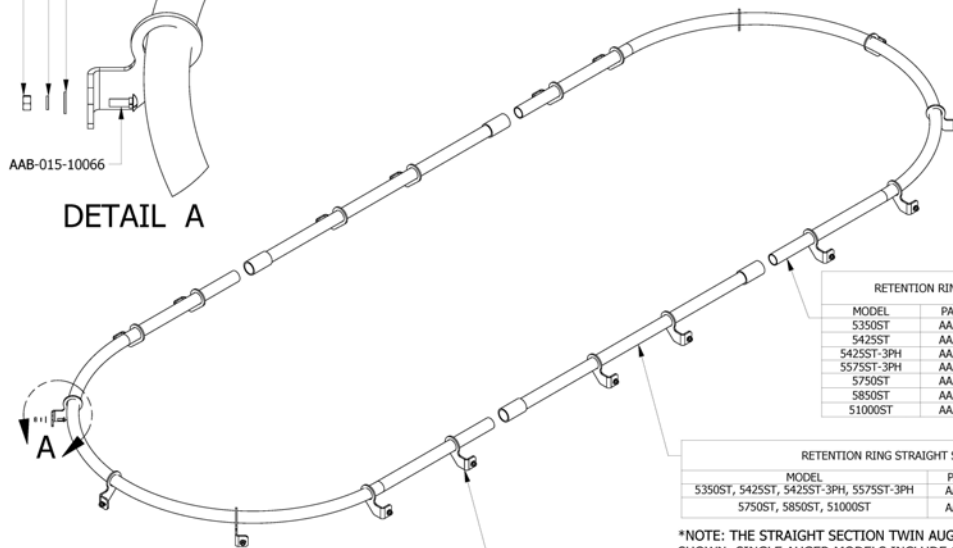
Pos	SKU	Description	Qty	Remark
1	AAA-001-00647	KIT SINGLE AUGER 8" DRUM EXT. UV STABILIZED HDPE BLACK	1	
1	AAA-001-00648	KIT SINGLE AUGER & 5275 TWIN 12" DRUM EXT. UV STABILIZED HDPE BLACK	1	
1	AAA-001-00649	KIT SINGLE AUGER 16" DRUM EXT. UV STABILIZED HDPE BLACK	1	
2	AAA-001-00655	KIT TWIN AUGER 16" DRUM EXT. UV STABILIZED HDPE BLACK	1	
2	AAA-001-00656	KIT TWIN AUGER 12" DRUM EXT. UV STABILIZED HDPE BLACK	1	
2	AAA-001-00657	KIT TWIN AUGER 8" DRUM EXT. UV STABILIZED HDPE BLACK	1	

BRACKET HARDWARE				
MODEL	PART NUMBER	DESCRIPTION	QTY (HD MODELS)	QTY (5350, 5425)
ALL	AAB-015-20011	HEX NUT 1/2" UNC GRD 5	18	12
ALL	AAB-015-30018	LOCK WASHER 1/2"	18	12
ALL	AAB-015-30013	FLAT WASHER 1/2" USS	18	12
ALL	AAB-015-10066	CARRIAGE BOLT 1/2 X 1-1/2 UNC GRD 5	18	12

RETENTION RING KITS 5000 SERIES STATIONARY		
MODEL	PART NUMBER	DESCRIPTION
5350ST	AAA-001-01703	RET. RING 5350 KIT
5425ST	AAA-001-01603	RET. RING 5425 KIT
5425ST-3PH	AAA-001-01603	RET. RING 5425 KIT
5575ST-3PH	AAA-001-01707	RET. RING 5575 KIT
5750ST	AAA-001-01507	RET. RING 5750 KIT
5850ST	AAA-001-01711	RET. RING 5850 KIT
51000ST	AAA-001-01713	RET. RING 51000 & 51250 KIT



DETAIL A



RETENTION RING CURVED SECTIONS 5000 SERIES STATIONARY				
MODEL	PART NUMBER	DESCRIPTION	QTY	
5350ST	AAA-001-01702	RET. RING 74" DIA.	2	
5425ST	AAA-001-01595	RET. RING 80" DIA.	2	
5425ST-3PH	AAA-001-01595	RET. RING 80" DIA.	2	
5575ST-3PH	AAA-001-01706	RET. RING 80.5" DIA.	2	
5750ST	AAA-001-01360	RET. RING 74" DIA.	2	
5850ST	AAA-001-01710	RET. RING 80" DIA.	2	
51000ST	AAA-001-01712	RET. RING 85.5" DIA.	2	

RETENTION RING STRAIGHT SECTIONS 5000 SERIES STATIONARY				
MODEL	PART NUMBER	DESCRIPTION	QTY	
5350ST, 5425ST, 5425ST-3PH, 5575ST-3PH	AAA-001-01602	RET. RING 30" WELDMENT*	2	
5750ST, 5850ST, 51000ST	AAA-001-01586	RET. RING 80" WELDMENT*	2	

\*NOTE: THE STRAIGHT SECTION TWIN AUGER WELDMENTS INCLUDE TWO BRACKETS AS SHOWN; SINGLE AUGER MODELS INCLUDE ONLY ONE BRACKET PER SECTION

RETENTION RING BRACKET 5000 SERIES STATIONARY				
MODEL	PART NUMBER	DESCRIPTION	QTY (TWIN MODELS)	QTY (SINGLE MODELS)
ALL	AAA-001-01359	RET. RING BRACKET 3/8"	18	12

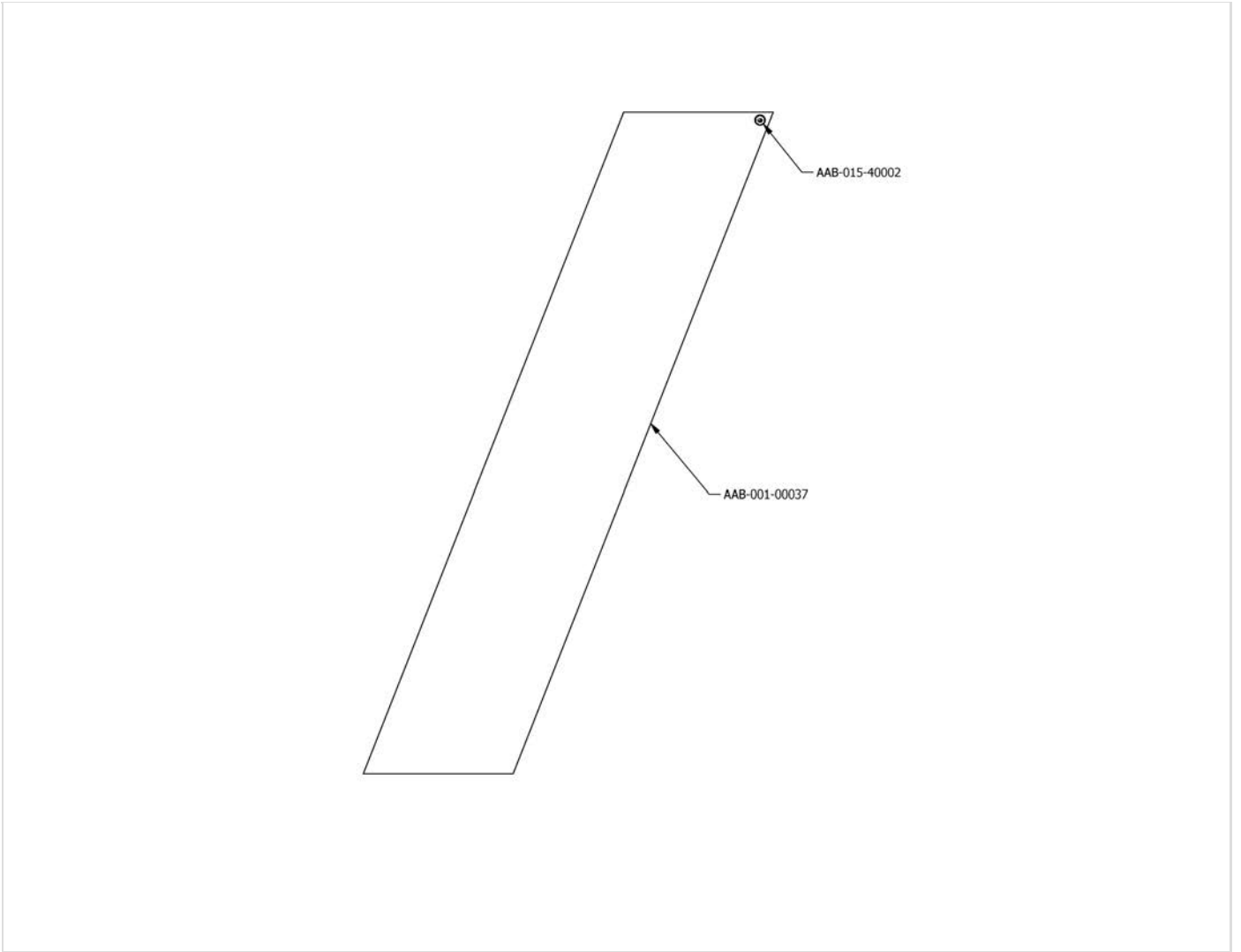
Pos	SKU	Description	Qty	Remark
1	AAA-001-01587	RET. RING 5650 & 5750 KIT	1	
1	AAA-001-01603	RET. RING 5425 KIT	1	
1	AAA-001-01703	RET. RING 5350 KIT	1	
1	AAA-001-01707	RET. RING 5575 KIT	1	
1	AAA-001-01711	RET. RING 5850 KIT	1	
1	AAA-001-01713	RET. RING 51000 & 51250 KIT	1	
2	AAA-001-01360	RET.RING 74" DIA TWIN (EXT.L 172.18") (5650 & 5750)	2	
2	AAA-001-01595	RET.RING 80" DIA SNGL (EXT.L 151.60") (5425)	2	
2	AAA-001-01702	RET. RING 74" DIA SNGL (EXT.L 132.18") (5350)	2	
2	AAA-001-01706	RET. RING 85.5" DIA SNGL (EXT. L 157.235) (5575)	2	
2	AAA-001-01710	RET. RING 80" DIA TWIN (EXT. L 197") (5850)	2	
2	AAA-001-01712	RET. RING 85.5" DIA TWIN (EXT.L 208.235) (51000 & 51250)	2	
3	AAA-001-01586	RET. RING 80" STRAIGHT W/ BRKTS WELDMENT	2	
3	AAA-001-01602	RET. RING 30" STRAIGHT W/BRKTS WELDMENT	2	
4	AAA-001-01359	RET. RING BRKT 3/8T	1	
5	AAB-015-10066	BOLT CARRIAGE 1/2 X 1-1/2 UNC GRD 5	1	



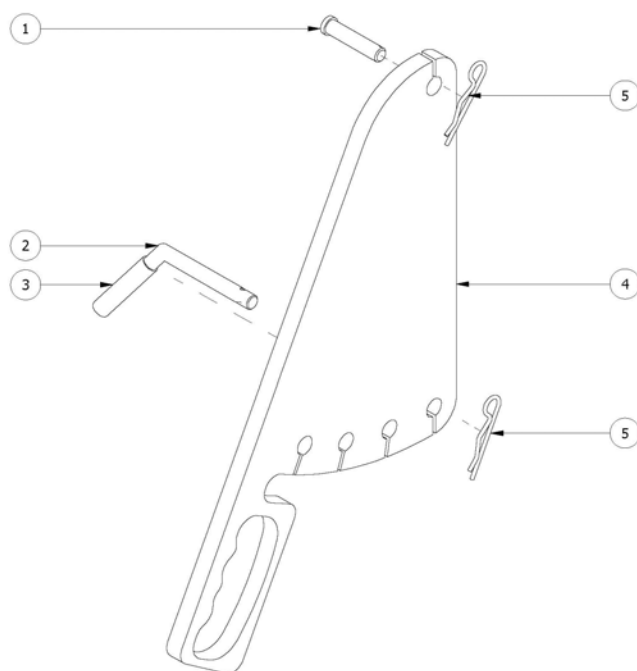
---

<b>Pos</b>	<b>SKU</b>	<b>Description</b>	<b>Qty</b>	<b>Remark</b>
5	AAB-015-20011	NUT HEX 1/2 UNC GRD 5	1	
5	AAB-015-30013	WSHR FLAT 1/2 USS	1	
5	AAB-015-30018	WSHR LOCK 1/2	1	

---

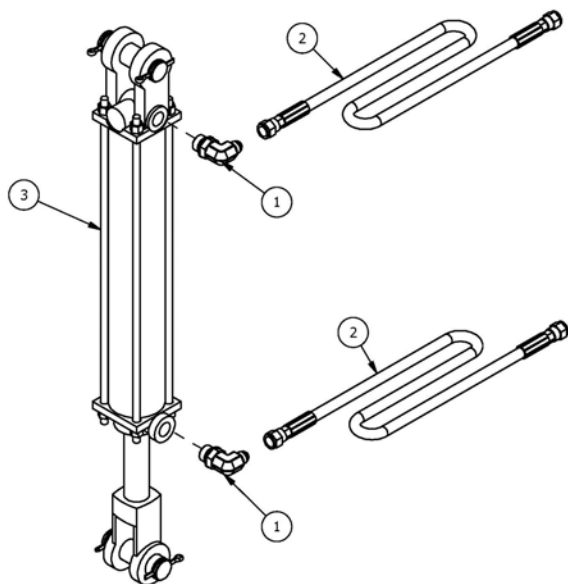


Pos	SKU	Description	Qty	Remark
1	AAB-015-40002	SCREW HEX #10-16 X 1/2	1	
2	AAB-001-00037	WNDW VIEWING	1	

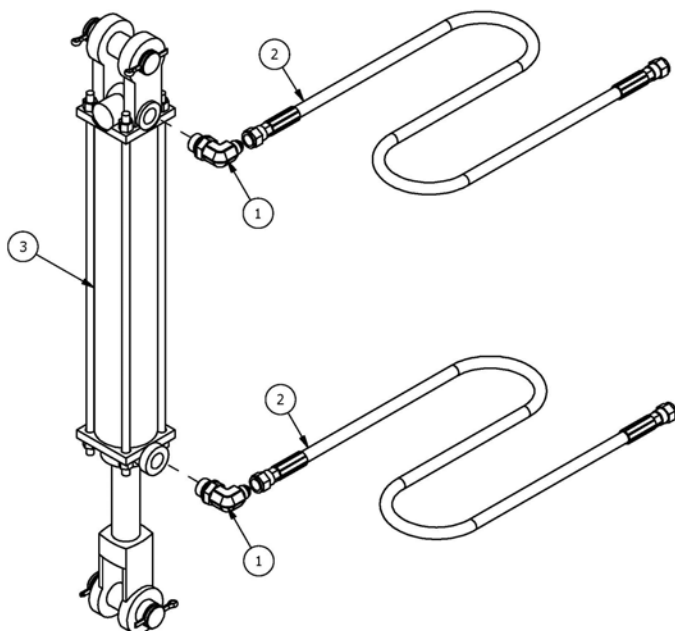


\*RESTRICTOR BLADE KIT AVAILABLE AS  
PART # AAA-001-01606

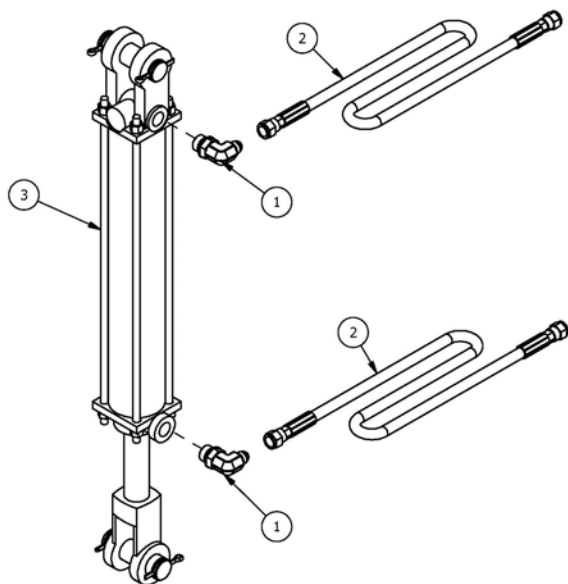
Pos	SKU	Description	Qty	Remark
1	AAB-001-00017	PIN PIVOT 1/2 X 2	1	
2	AAB-001-00020	PIN BENT ADJUSTMENT 1/2 X 3-5/8 FOR RB	1	
3	AAB-015-40009	GRIP ADJUSTMENT PIN VINYL 1/2 X 2-1/2	1	
4	AAA-001-01346-P3	RB 5000 SERIES (PAINTED)	1	
5	AAB-001-00019	PIN HTCH CLIP 1/8 X 2-9/16	2	
6	AAA-001-01606	RB ASSY 5000 SERIES	1	



Pos	SKU	Description	Qty	Remark
1	AAB-009-00352	FIT 90DEG 6 MJIC X 8 MORB ADJ	2	
2	AAB-009-00144	HOSE HYD 1/4DIA SNGL BRAID 6 FJIC SWIVEL X 6 FJIC SWIVEL 150L	2	
3	AAB-009-00330	CYL HYD 12IN STROKE X 2 IN BORE WITH PINS AND CLIPS	1	



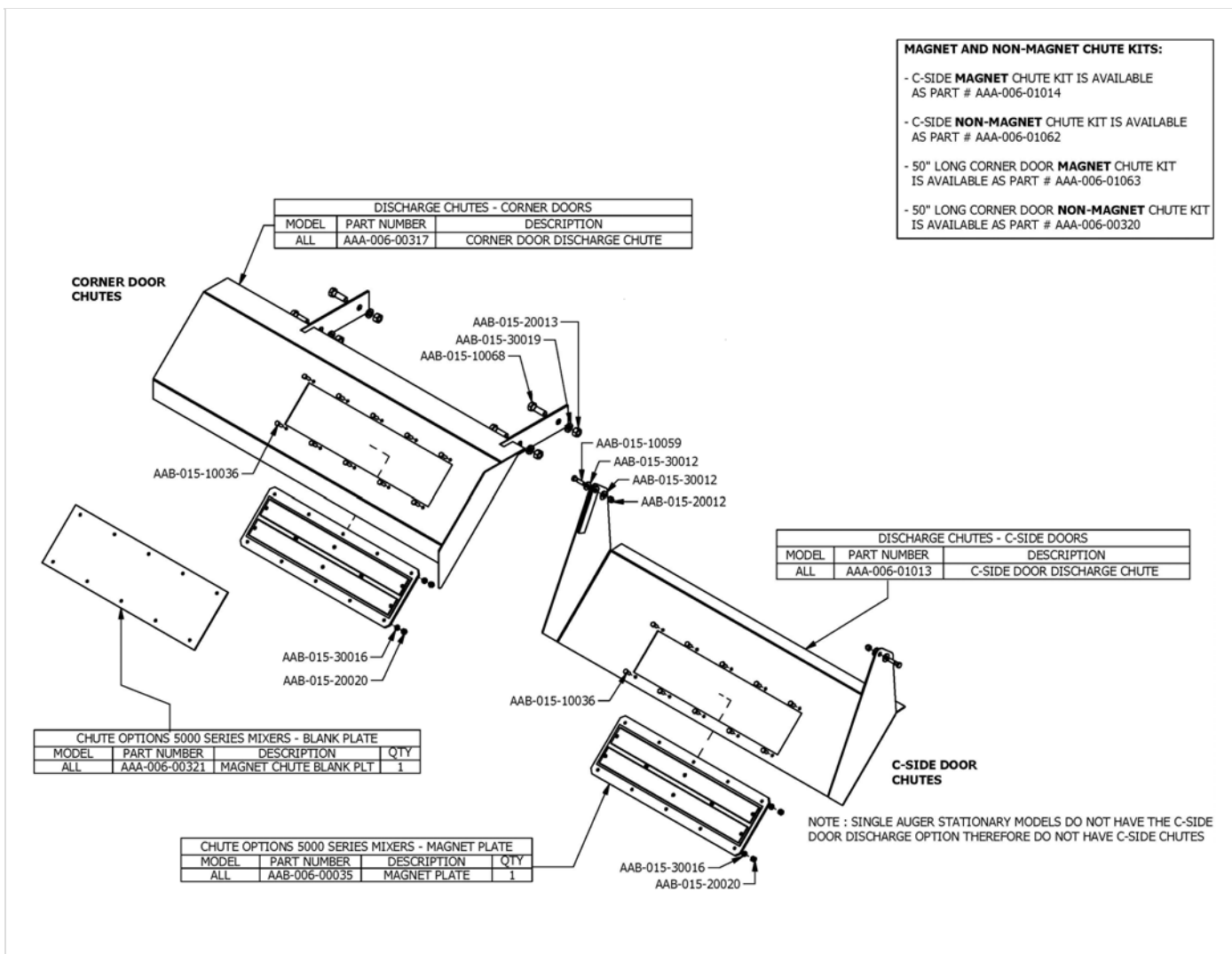
Pos	SKU	Description	Qty	Remark
1	AAB-009-00352	FIT 90DEG 6 MJIC X 8 MORB ADJ	2	
2	AAA-009-00254	HOSE HYD 1/4DIA SINGLE BRAID 6 FJIC SWIVEL X 6 FJIC SWIVEL 250L	2	
3	AAB-009-00330	CYL HYD 12IN STROKE X 2 IN BORE WITH PINS AND CLIPS	1	



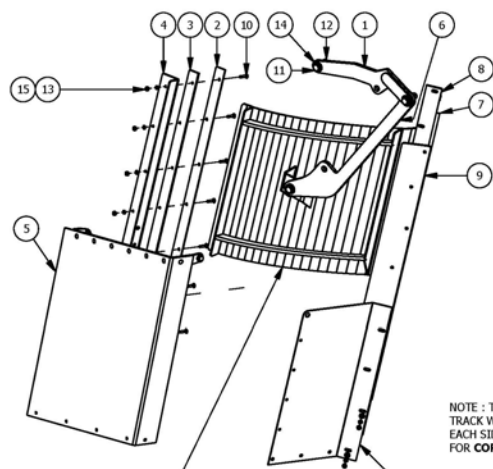
Pos	SKU	Description	Qty	Remark
1	AAB-009-00352	FIT 90DEG 6 MJIC X 8 MORB ADJ	2	
2	AAB-009-00144	HOSE HYD 1/4DIA SNGL BRAID 6 FJIC SWIVEL X 6 FJIC SWIVEL 150L	2	
3	AAB-009-00330	CYL HYD 12IN STROKE X 2 IN BORE WITH PINS AND CLIPS	1	

**MAGNET AND NON-MAGNET CHUTE KITS:**

- C-SIDE **MAGNET** CHUTE KIT IS AVAILABLE AS PART # AAA-006-01014
- C-SIDE **NON-MAGNET** CHUTE KIT IS AVAILABLE AS PART # AAA-006-01062
- 50" LONG CORNER DOOR **MAGNET** CHUTE KIT IS AVAILABLE AS PART # AAA-006-01063
- 50" LONG CORNER DOOR **NON-MAGNET** CHUTE KIT IS AVAILABLE AS PART # AAA-006-00320



Pos	SKU	Description	Qty	Remark
1	AAA-006-00317	DISCHARGE CHUTE 50L (PAINTED)	1	
2	AAA-006-01013-P1	C-SIDE MAGNET CHUTE WELDMENT (PAINTED RED)	1	
3	AAB-006-00035	MAGNET PLATE 25 X 8 X 1	1	
4	AAA-006-00321	PLT MAGNET CHUTE BLANK 1/8T	1	
6	AAB-015-20013	NUT HEX 5/8 UNC GRD 5	4	
7	AAB-015-30019	WSHR LOCK 5/8	4	
8	AAB-015-10068	BOLT HEX 5/8 X 2 UNC GRD 8	4	
9	AAB-015-30016	WSHR LOCK 5/16	10	
10	AAB-015-10036	BOLT HEX 5/16 X 1 UNC GRD 5	10	
11	AAB-015-20020	NUT HEX 5/16 UNC GRD 2	10	
12	AAB-015-10059	BOLT HEX 3/8 X 1-1/2 UNC GRD 2	2	
13	AAB-015-30012	WSHR FLAT 3/8 USS	4	
14	AAB-015-20012	NUT HEX 3/8 LOCK NYLON GRD 2	2	



NOTE : THE BOTTOM FOUR DOOR TRACK BOLTS ON THE FRONT DOOR TRACK WILL BE LONGER THAN THE UPPER DOOR TRACK BOLTS ON EACH SIDE OF THE MACHINE. THIS APPLIES TO SINGLE AUGER MIXERS FOR **CORNER DOORS ONLY**.

CORNER DOOR PART NUMBERS	
MODEL	PART #
5350ST	AAA-001-00334
5425ST	AAA-001-00272
5425ST-3PH	AAA-001-00272
5575ST-3PH	AAA-001-00330

CORNER DOOR COMPONENTS 5000 SERIES STATIONARY SINGLES			
MODEL	PART #	DESCRIPTION	QTY
5350ST	AAA-001-00328	DRUM SHIELD 90"	1
5425ST	AAA-001-00293	DRUM SHIELD 96"	1
5425ST-3PH	AAA-001-00293	DRUM SHIELD 96"	1
5575ST-3PH	AAA-001-00336	DRUM SHIELD 101.5"	1

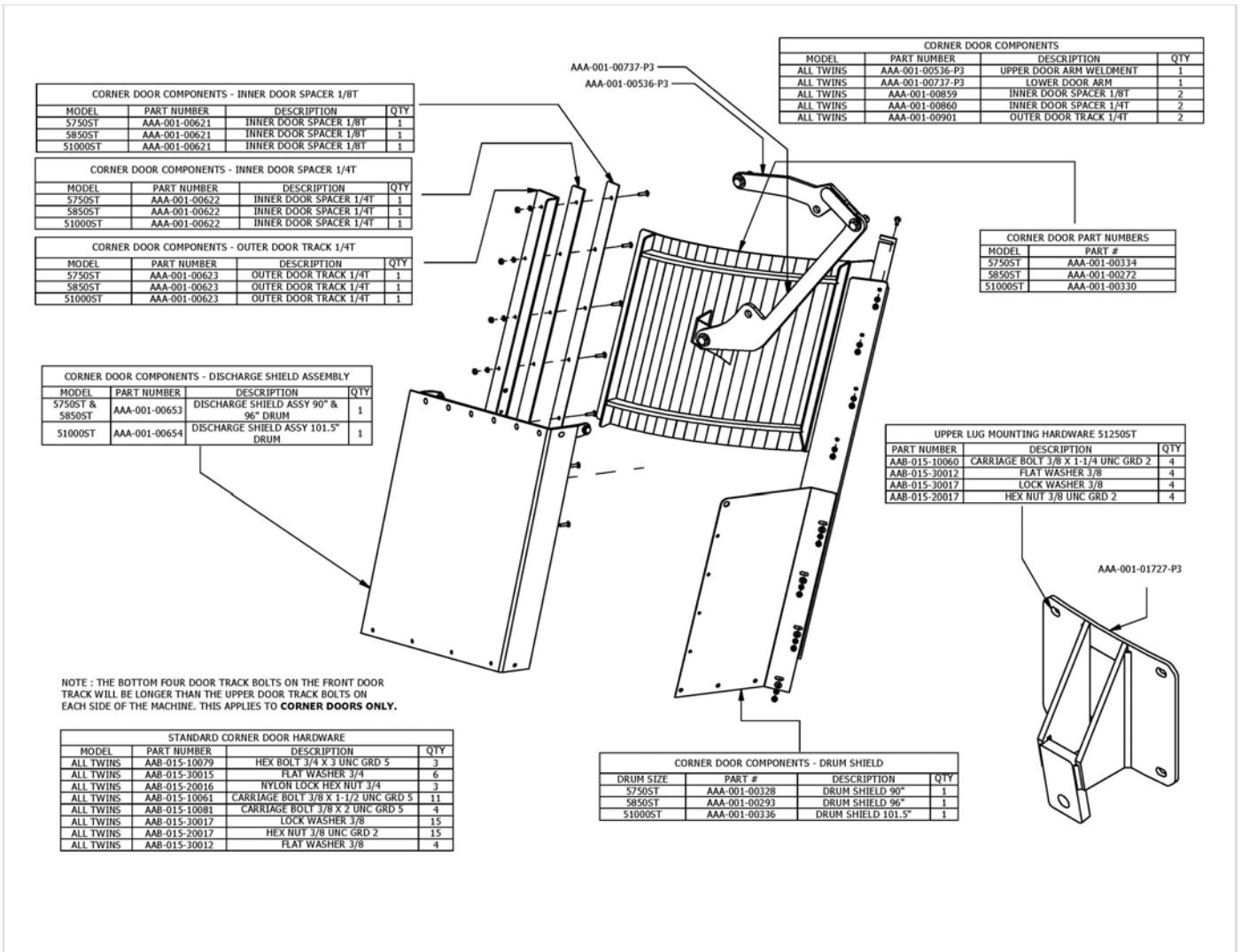
Pos	SKU	Description	Qty	Remark
1	AAA-001-00536-P3	DOOR CYL ARM WELDMENT SINGLE CYDR HOLE	1	
2	AAA-001-00621	SPCR INNER CORNER DOOR REAR 1/8T	1	
3	AAA-001-00622	SPCR INNER CORNER DOOR REAR 64-1/4H X 1/4T	1	
4	AAA-001-00623	TRACK OUTER CORNER DOOR REAR 64-1/4H X 1/4T	1	
5	AAA-001-00653	DISCHARGE SHIELD ASSY (90" & 96" DIA)	1	
6	AAA-001-00737-P3	ARM LONG FOR DOOR	1	
7	AAA-001-00859	INNER DOOR SPCR 1/8T X 67H	1	
8	AAA-001-00860	INNER DOOR SPCR 1/4T X 67H	1	
9	AAA-001-00901	OUTER DOOR TRACK 1/4T X 67-1/2H (CORNER DOORS)	1	
10	AAB-015-10061	BOLT CARRIAGE 3/8 X 1-1/2 UNC GRD 5	11	
11	AAB-015-10079	BOLT HEX 3/4 X 3 UNC GRD 5	3	
12	AAB-015-20016	NUT HEX LOCK NYLON 3/4 UNC GRD 8	3	
13	AAB-015-20017	NUT HEX 3/8 UNC GRD 2	15	
14	AAB-015-30015	WSHR FLAT 3/4 USS	6	
15	AAB-015-30017	WSHR LOCK 3/8	15	
16	AAA-001-00293	SHIELD DRUM 1/8T (96" DIA)	1	



---

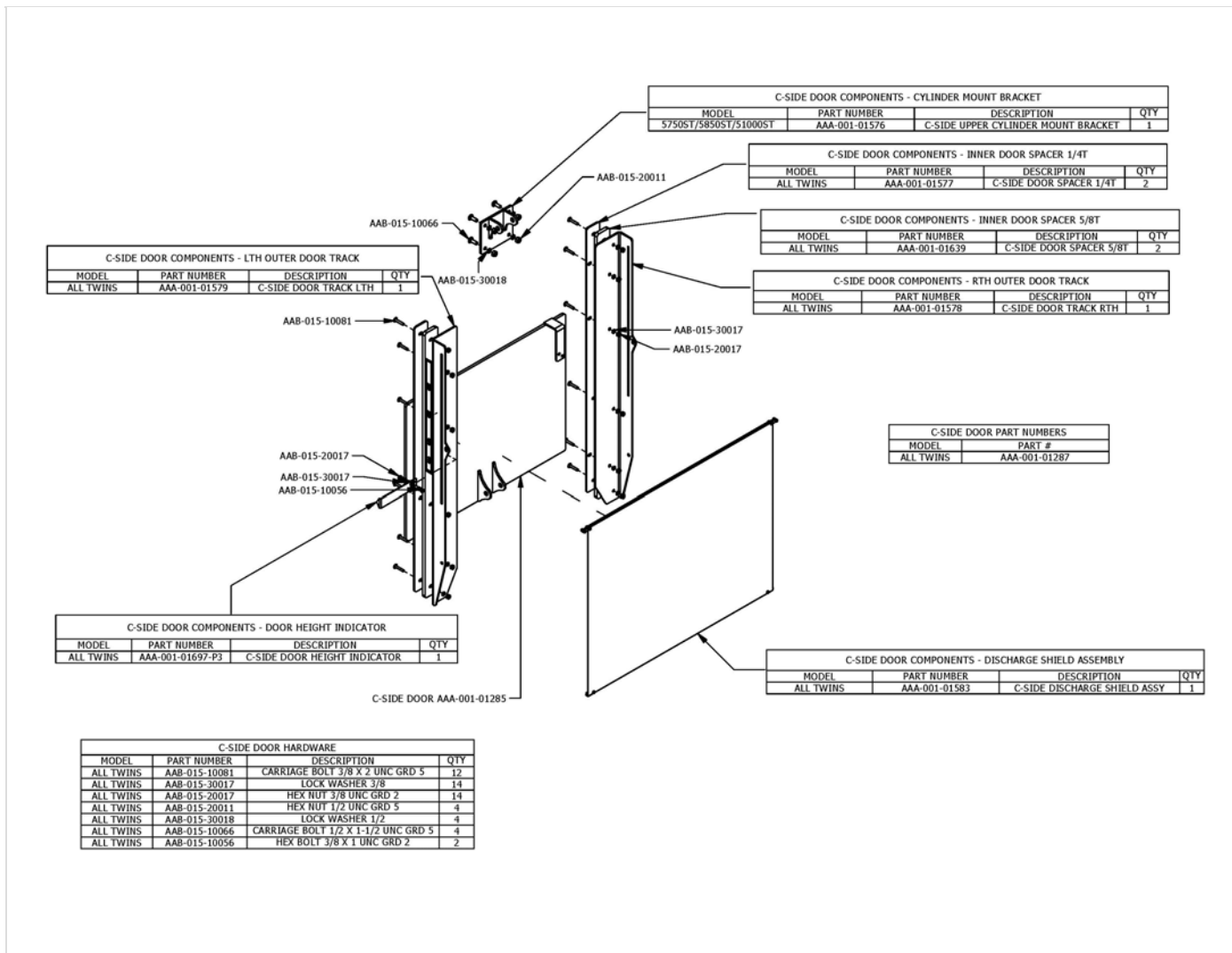
<b>Pos</b>	<b>SKU</b>	<b>Description</b>	<b>Qty</b>	<b>Remark</b>
16	AAA-001-00328	SHIELD DRUM 1/8T (90" DIA)	1	
16	AAA-001-00336	DOOR SIDE SHIELD 1/8T (101.5" DIA)	1	
17	AAA-001-00272	DRUM DOOR WELDMENT 525T	1	
17	AAA-001-00330	DRUM DOOR WELDMENT 610T	1	
17	AAA-001-00334	DRUM DOOR WELDMENT 445T	1	

---

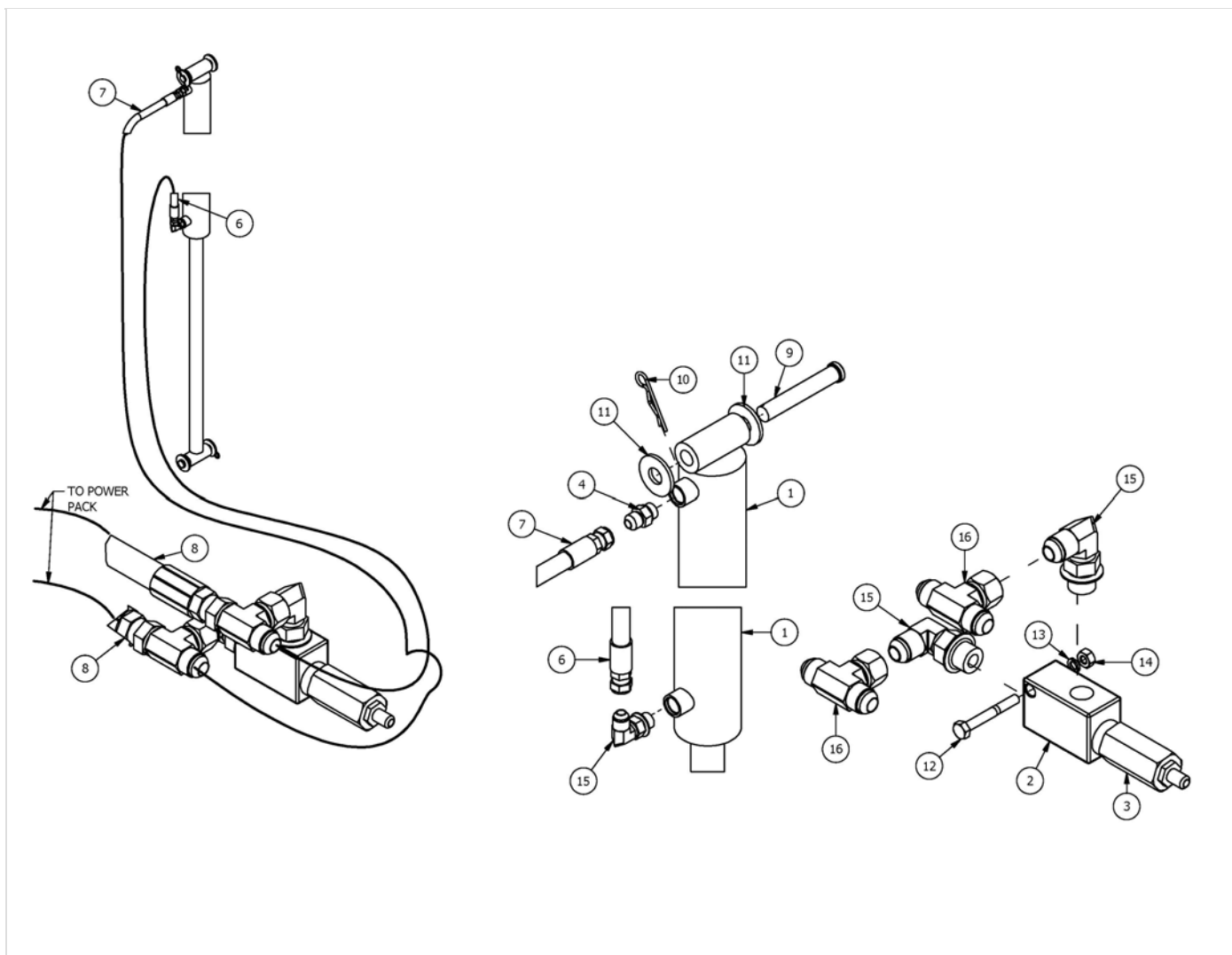


Pos	SKU	Description	Qty	Remark
1	AAA-001-00536-P3	DOOR CYL ARM WELDMENT SINGLE CYDR HOLE	1	
1	AAA-001-00737-P3	ARM LONG FOR DOOR	1	
1	AAA-001-00859	INNER DOOR SPCR 1/8T X 67H	2	
1	AAA-001-00860	INNER DOOR SPCR 1/4T X 67H	2	
1	AAA-001-00901	OUTER DOOR TRACK 1/4T X 67-1/2H (CORNER DOORS)	2	
2	AAA-001-00272	DRUM DOOR WELDMENT 525T	1	
2	AAA-001-00330	DRUM DOOR WELDMENT 610T	1	
2	AAA-001-00334	DRUM DOOR WELDMENT 445T	1	
3	AAB-015-10060	BOLT CARRIAGE 3/8 X 1-1/4 UNC GRD 2	4	
3	AAB-015-20017	NUT HEX 3/8 UNC GRD 2	4	
3	AAB-015-30012	WSHR FLAT 3/8 USS	4	
3	AAB-015-30017	WSHR LOCK 3/8	4	
4	AAA-001-01727-P3	TOP CYL MNT CRNR DOOR 51250 (PARTS ORDER)	1	
5	AAA-001-00293	SHIELD DRUM 1/8T (96" DIA)	1	
5	AAA-001-00328	SHIELD DRUM 1/8T (90" DIA)	1	
5	AAA-001-00336	DOOR SIDE SHIELD 1/8T (101.5" DIA)	1	

Pos	SKU	Description	Qty	Remark
6	AAB-015-10061	BOLT CARRIAGE 3/8 X 1-1/2 UNC GRD 5	11	
6	AAB-015-10079	BOLT HEX 3/4 X 3 UNC GRD 5	3	
6	AAB-015-10081	BOLT CARRIAGE 3/8 X 2 UNC GRD 5	4	
6	AAB-015-20016	NUT HEX LOCK NYLON 3/4 UNC GRD 8	3	
6	AAB-015-20017	NUT HEX 3/8 UNC GRD 2	15	
6	AAB-015-30012	WSHR FLAT 3/8 USS	4	
6	AAB-015-30015	WSHR FLAT 3/4 USS	6	
6	AAB-015-30017	WSHR LOCK 3/8	15	
7	AAA-001-00653	DISCHARGE SHIELD ASSY (90" & 96" DIA)	1	
7	AAA-001-00654	DISCHARGE SHIELD ASSY (101.5" DIA)	1	
8	AAA-001-00623	TRACK OUTER CORNER DOOR REAR 64-1/4H X 1/4T	1	
9	AAA-001-00622	SPCR INNER CORNER DOOR REAR 64-1/4H X 1/4T	1	
10	AAA-001-00621	SPCR INNER CORNER DOOR REAR 1/8T	1	
11	AAA-001-00737-P3	ARM LONG FOR DOOR	1	
12	AAA-001-00536-P3	DOOR CYL ARM WELDMENT SINGLE CYDR HOLE	1	

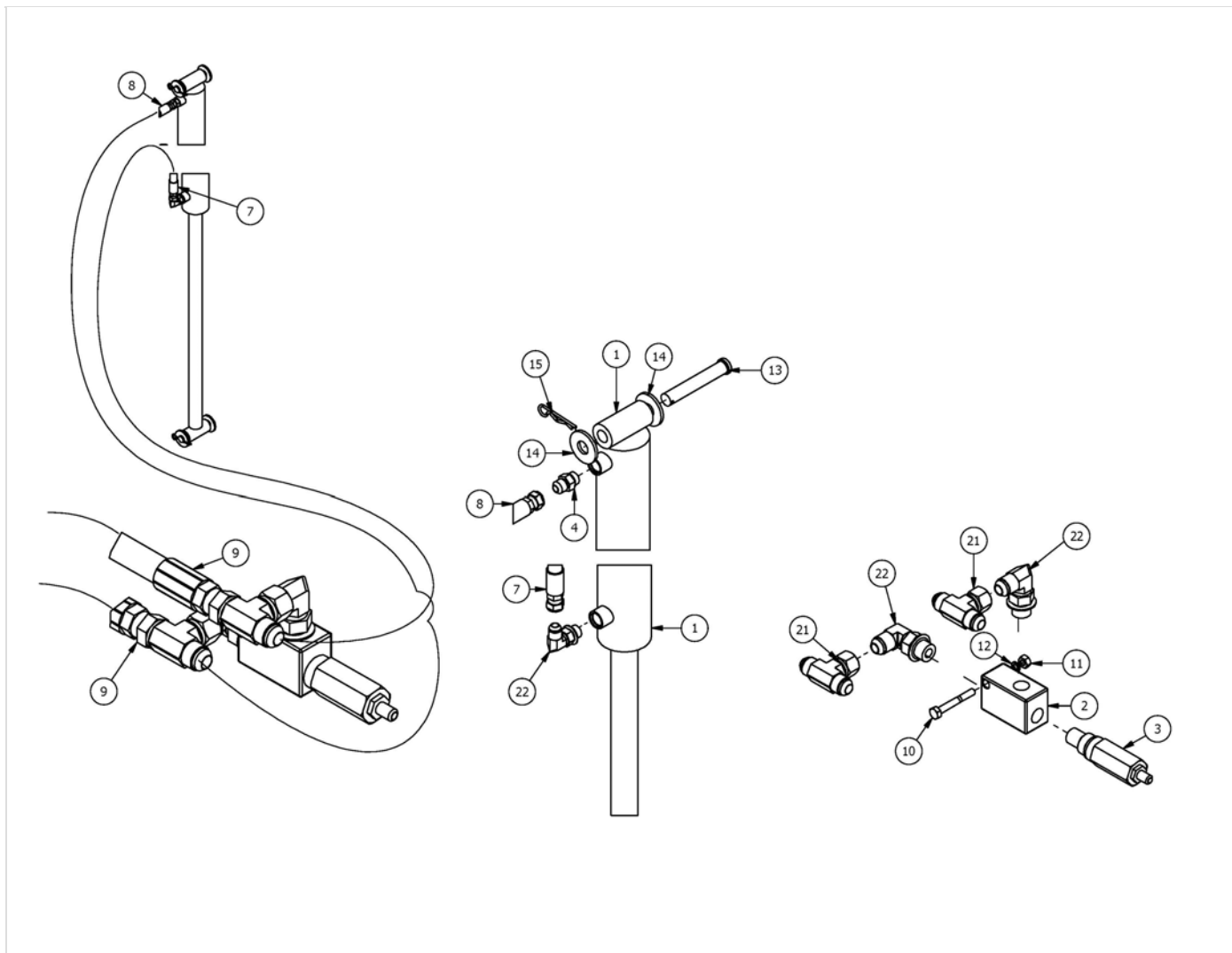


Pos	SKU	Description	Qty	Remark
1	AAA-001-01576	C-SIDE UPPER CYL LUG WELDMENT	1	
2	AAA-001-01577	C-SIDE DOOR SPCR 1/4T	2	
3	AAA-001-01639	C-SIDE DOOR SPCR 5/8T	2	
4	AAA-001-01578	C-SIDE DOOR TRACK RTH 1/4T	1	
5	AAA-001-01287	DOOR C-SIDE WELDMENT PAINTED (PARTS ORDER)	1	
6	AAA-001-01583	C-SIDE DISCHARGE SHIELD ASSY KIT	1	
7	AAA-001-01579	C-SIDE DOOR TRACK LTH 1/4T	1	
8	AAA-001-01697-P3	C-SIDE DOOR HEIGHT INDICATOR 1/8T (BLACK)	1	
9	AAB-015-10056	BOLT HEX 3/8 X 1 UNC GRD 2	2	
9	AAB-015-10066	BOLT CARRIAGE 1/2 X 1-1/2 UNC GRD 5	4	
9	AAB-015-10081	BOLT CARRIAGE 3/8 X 2 UNC GRD 5	12	
9	AAB-015-20011	NUT HEX 1/2 UNC GRD 5	4	
9	AAB-015-20012	NUT HEX 3/8 LOCK NYLON GRD 2	14	
9	AAB-015-30017	WSHR LOCK 3/8	14	
9	AAB-015-30018	WSHR LOCK 1/2	4	



Pos	SKU	Description	Qty	Remark
1	AAA-009-00214-P3	CYDR HYD 66 8 SAE PORTS	1	
2	AAB-009-00698	FAJ BODY SAE 8 VALVE BLOCK	1	
3	AAB-009-00697	RDDA LDN @ 300 PSI PRESS RELIEF	1	
4	AAB-009-00087	FIT ADPT 8 MJIC X 8 MORB	4	
6	AAB-009-00700	HOSE HYD 1/2 DIA SINGLE BRAID 8FJIC X 8FJIC 225L	1	
7	AAB-009-00699	HOSE HYD 1/2DIA SINGLE BRAID 8FJIC X 8FJIC 195L	1	
8	AAB-009-00701	HOSE HYD 1/2 DIA SINGLE BRAID 8 FJIC X 8MORB 235L	2	
9	AAB-015-00147	PIN PIVOT 3/4 X 4-1/2	2	
10	AAB-001-00019	PIN HTCH CLIP 1/8 X 2-9/16	2	
11	AAB-015-30015	WSHR FLAT 3/4 USS	4	
12	AAB-015-10126	BOLT HEX 1/4 X 2 UNC GRD 5	1	
13	AAB-015-30038	WSHR LOCK 1/4	1	
14	AAB-015-20036	NUT HEX 1/4 UNC GRD 5	1	
15	AAB-009-00076	FIT 90DEG 8 MJIC X ADJUST 8 MORB	3	
16	AAB-009-00506	FIT TEE 8 MJIC x 8 MJIC x 8 FJIC SWIVEL	2	





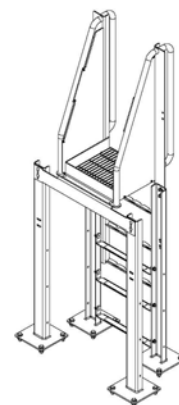
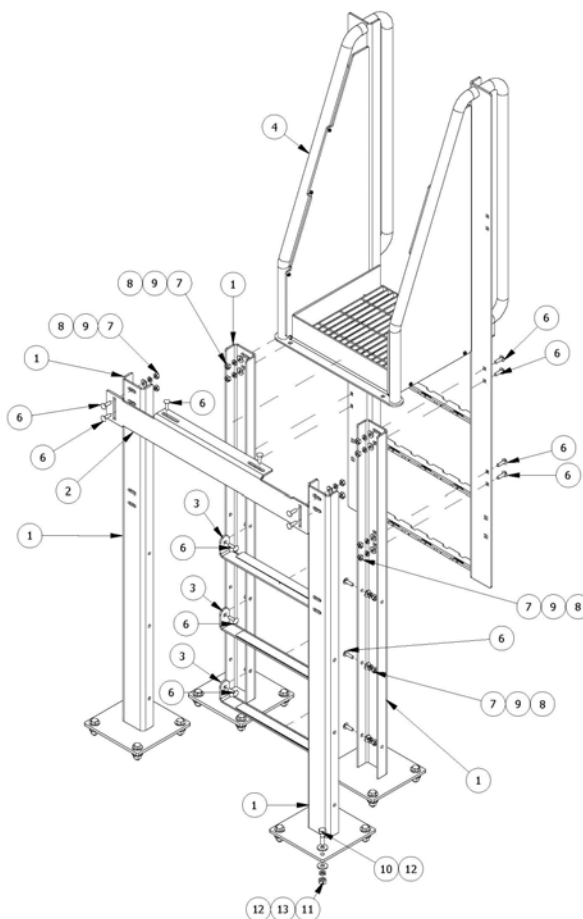
Pos	SKU	Description	Qty	Remark
1	AAA-009-00214-P3	CYDR HYD 66 8 SAE PORTS	1	
2	AAB-009-00698	FAJ BODY SAE 8 VALVE BLOCK	1	
3	AAB-009-00697	RDDA LDN @ 300 PSI PRESS RELIEF	1	
4	AAB-009-00087	FIT ADPT 8 MJIC X 8 MORB	4	
7	AAB-009-00700	HOSE HYD 1/2 DIA SINGLE BRAID 8FJIC X 8FJIC 225L	1	
8	AAB-009-00699	HOSE HYD 1/2DIA SINGLE BRAID 8FJIC X 8FJIC 195L	1	
9	AAB-009-00702	HOSE HYD 1/2 DIA SINGLE BRAID 8 FJIC X 8 MORB 320L	2	
10	AAB-015-10126	BOLT HEX 1/4 X 2 UNC GRD 5	1	
11	AAB-015-20036	NUT HEX 1/4 UNC GRD 5	1	
12	AAB-015-30038	WSHR LOCK 1/4	1	
13	AAB-015-00147	PIN PIVOT 3/4 X 4-1/2	2	
14	AAB-015-30015	WSHR FLAT 3/4 USS	4	
15	AAB-001-00019	PIN HTCH CLIP 1/8 X 2-9/16	2	
21	AAB-009-00506	FIT TEE 8 MJIC x 8 MJIC x 8 FJIC SWIVEL	2	
22	AAB-009-00076	FIT 90DEG 8 MJIC X ADJUST 8 MORB	3	





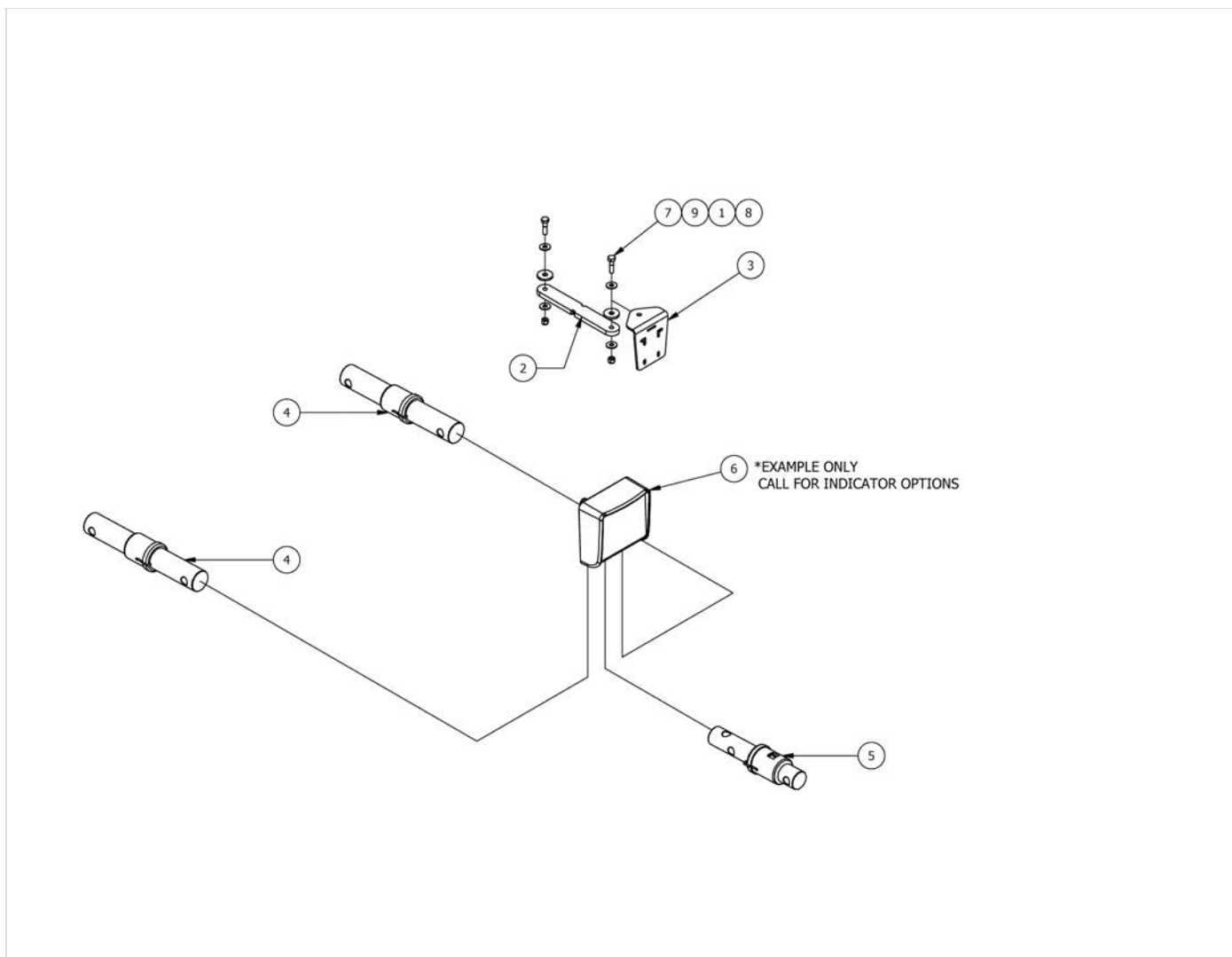
**WARNING!** : LADDER PLATFORM MUST BE SECURED TO GROUND USING LAG BOLTS OR SUPPLIED HARDWARE PRIOR TO USE.

LADDER PLATFORM MUST BE INSTALLED SO THAT THE PLATFORM IS WITHIN 1.2m (47-1/4") TO 1.6m (63") FROM THE UPPER MOST POINT ON MIXER DRUM

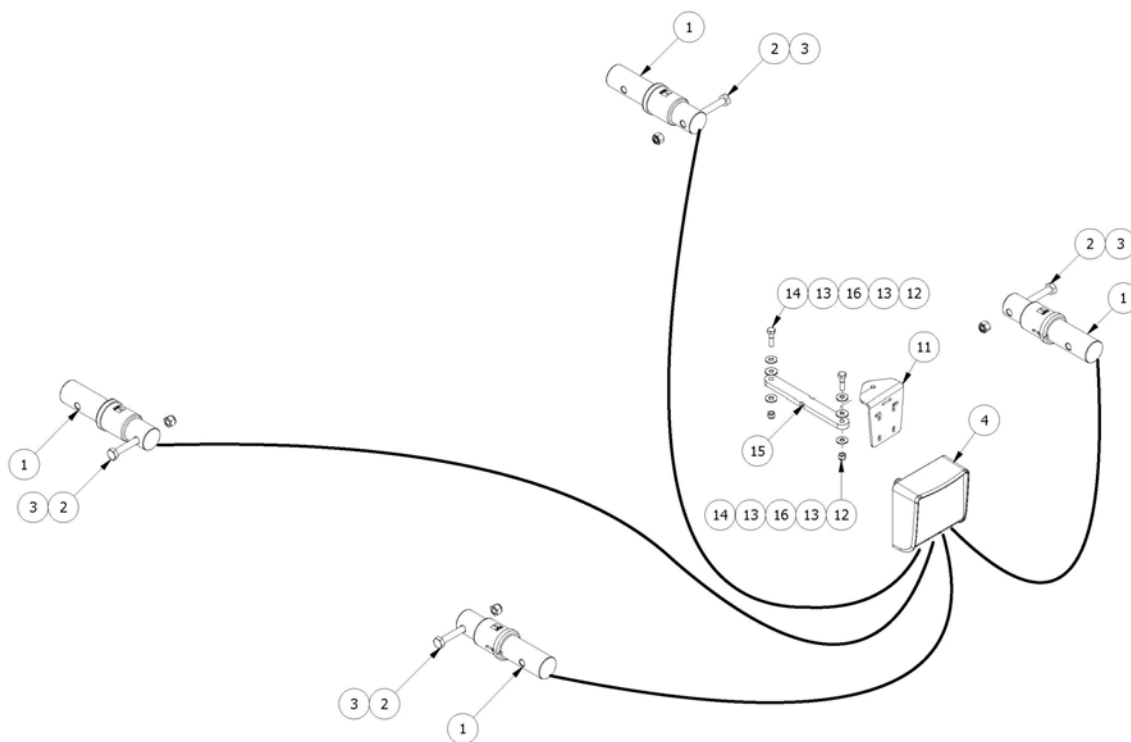


NOTE: ADDITIONAL BOLT ON LADDER RUNGS HAVE BEEN SUPPLIED WITH LADDER PLATFORM. DEPENDING UPON PLATFORM HEIGHT THESE ADDITIONAL RUNGS MAY OR MAY NOT BE NEEDED.

Pos	SKU	Description	Qty	Remark
1	AAA-003-00287	ST LDR PLATFORM UPRTH	4	
2	AAA-003-00284	ST LDR PLATFORM MNT BRKT 1/4T	1	
3	AAA-003-00289	ST LDR BOLT ON RUNG	3	
4	AAA-003-00296	STATIONARY LDR ASSY	1	
5	AAA-003-00294	ANTI SKID TAPE 1.5W X 15L	3	NOT PICTURED
6	AAB-015-10060	BOLT CARRIAGE 3/8 X 1-1/4 UNC GRD 2	20	
7	AAB-015-20017	NUT HEX 3/8 UNC GRD 2	20	
8	AAB-015-30012	WSHR FLAT 3/8 USS	20	
9	AAB-015-30017	WSHR LOCK 3/8	20	
10	AAB-015-10064	BOLT HEX 1/2 X 2 UNC GRD 5	16	
11	AAB-015-20011	NUT HEX 1/2 UNC GRD 5	16	
12	AAB-015-30013	WSHR FLAT 1/2 USS	32	
13	AAB-015-30018	WSHR LOCK 1/2	16	



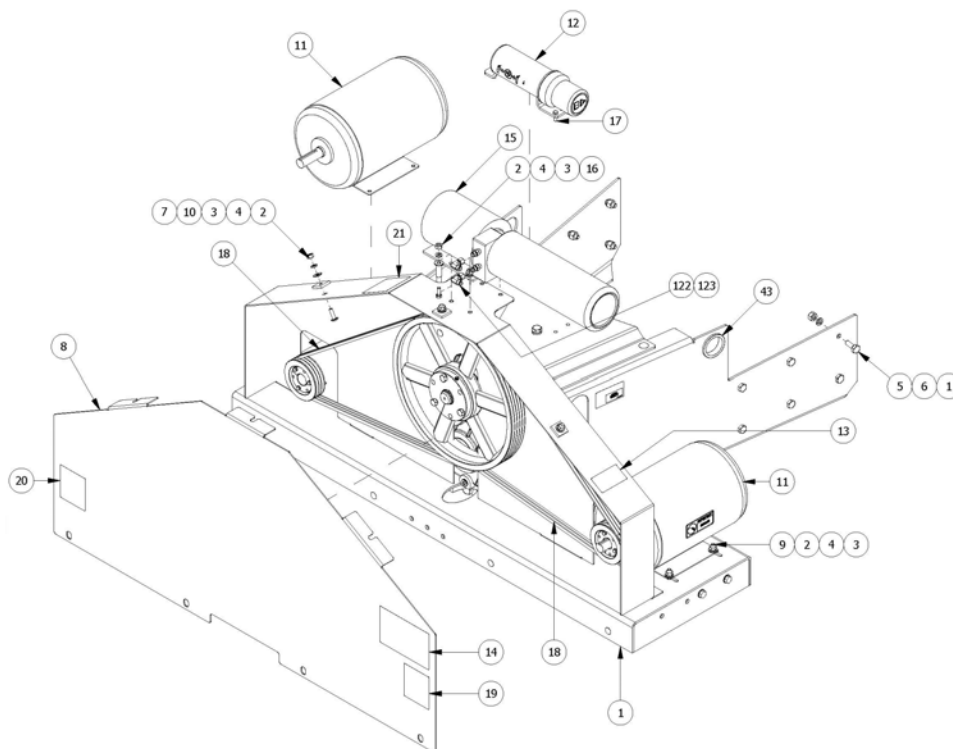
Pos	SKU	Description	Qty	Remark
1	AAA-000-00059	WSHR URETHANE 2DIA	2	
2	AAA-002-00995-P3	SCALE HEAD SWING ARM 5/8T (BLACK)	1	
3	AAA-010-00048	SCALE HEAD MNT BRKT (PAINTED)	1	
4	AAB-010-00193	DG WB 2-7/8DIA X 19-5/8L	2	
5	AAB-010-00194	DG WB 2-1/2DIA X 15-1/4L	1	
6	AAB-010-00197	DG INDICTR - STAD 04	1	
7	AAB-015-10064	BOLT HEX 1/2 X 2 UNC GRD 5	2	
8	AAB-015-20019	NUT NYLON LOCK 1/2 UNC GRD 5	2	
9	AAB-015-30013	WSHR FLAT 1/2 USS	4	



Pos	SKU	Description	Qty	Remark
1	AAB-010-00190	DG WB 2-7/8DIA X 14L TM 4 POINT	4	
2	AAB-015-10072	BOLT HEX 3/4 X 6 UNC GRD 8	4	
3	AAB-015-20016	NUT HEX LOCK NYLON 3/4 UNC GRD 8	4	
4	AAB-010-00197	DG INDICTR - STAD 04	1	
11	AAB-010-00048	AWT 640 INDICATOR 3X5 WITH RS-232 & RD PORT	1	
12	AAB-015-20019	NUT NYLON LOCK 1/2 UNC GRD 5	2	
13	AAB-015-30013	WSHR FLAT 1/2 USS	4	
14	AAB-015-10064	BOLT HEX 1/2 X 2 UNC GRD 5	2	
15	AAA-002-00995-P3	SCALE HEAD SWING ARM 5/8T (BLACK)	1	
16	AAB-000-00004	TPR RUBR WSHR 1-1/2OD X 1/2ID X 1/8T BLACK	2	



Pos	SKU	Description	Qty	Remark
1	AAB-010-00102	AWT 2-PIN POWER CORD 18' 12VDC (2-PIN MALE TRACTOR TO 2-PIN AWT)	1	
2	AAB-010-00103	AWT TRACTOR PLUG 10' 12VDC	1	
3	AAB-010-00106	AWT POWER SUPPLY WALL TRANSFORMER 115VAC TO 12VDC 1A	1	
4	AAB-010-00108	AWT V-MOUNT BRACKET, MACHINE END	1	
5	AAB-010-00115	AWT 4-WB, 5-PIN JUNCTION BOX	1	
6	AAB-010-00128	AWT 7-PIN 18' POWER CORD WITH AUXILIARY 4 PRONG PLUG	1	
7	AAB-010-00207	DG CABLE 33 FT FOR REMOTE DISPLAYS	1	
8	AAB-010-00209	DG REMOTE DISPLAY POWER CABLE 11FT6 FOR CAB DISPLAY & WEIGHT REPEATER	1	
9	AAB-010-00274	AWT ADAPTER CABLE 25' 5-PIN TO 5-PIN	1	
10	AAB-010-00285	DG CABLE FOR XL REMOTE DISPLAY & EXTRA DISPLAY (33 FT)	1	
11	AAB-010-00288	INDICATOR WB PORT CAP 14S-5 (17963-0062)	1	
12	AAB-010-00400	DG TRACTOR CABLE COBO AND FASTON CONNECTOR 3m L, P/N 989-0012	1	

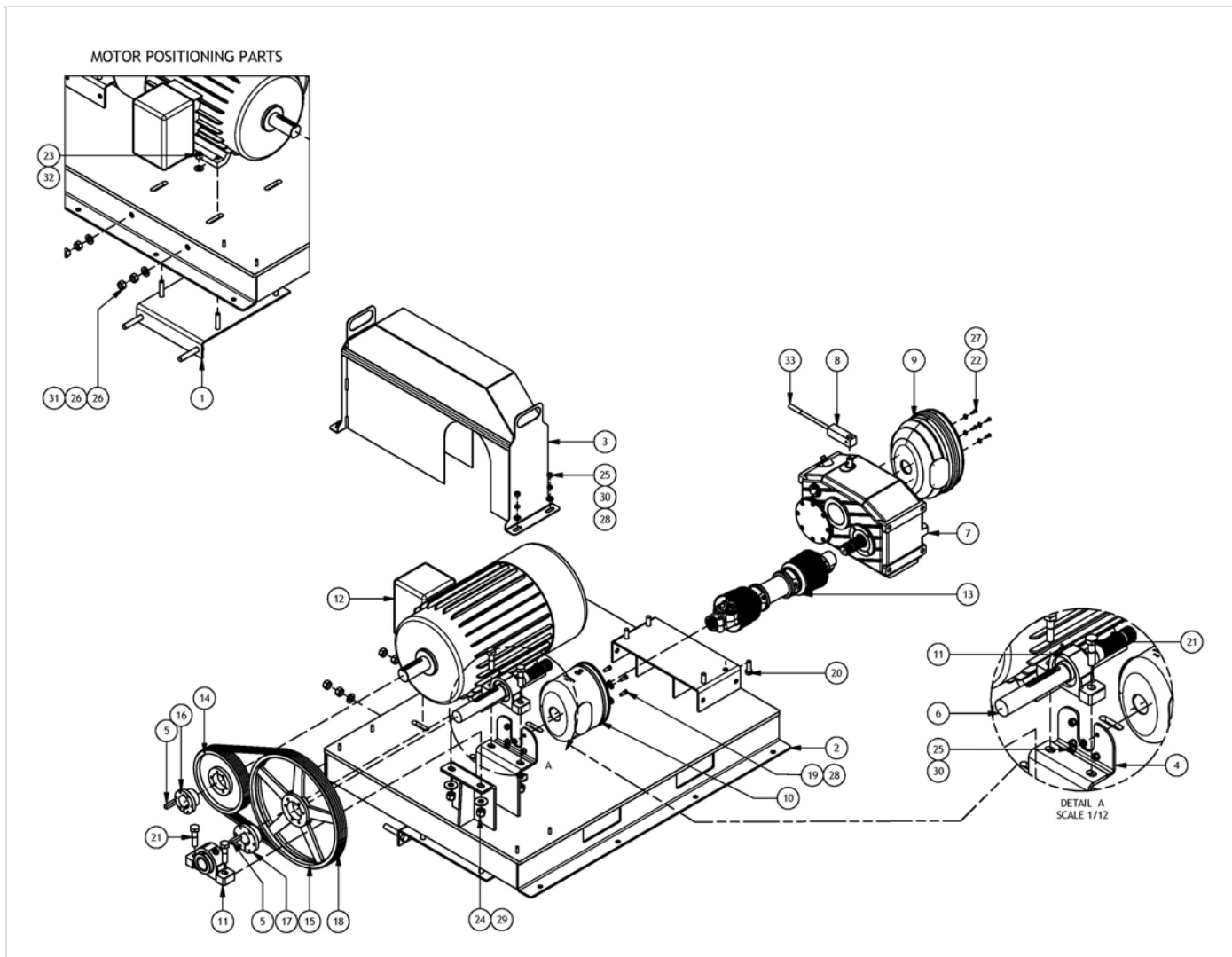


Pos	SKU	Description	Qty	Remark
1	AAA-002-00437	STATIONARY FRAME PLATFORM WELDMENT	1	
1	AAB-015-20011	NUT HEX 1/2 UNC GRD 5	26	
2	AAB-015-20017	NUT HEX 3/8 UNC GRD 2	25	
3	AAB-015-30012	WSHR FLAT 3/8 USS	33	
4	AAB-015-30017	WSHR LOCK 3/8	25	
5	AAB-015-10063	BOLT HEX 1/2 X 1-1/2 UNC GRD 5	18	
6	AAB-015-30018	WSHR LOCK 1/2	22	
7	AAA-002-01123	STATIONARY BELT SHROUD 5000 SERIES (PAINTED)	1	
8	AAA-002-00442	BELT DRIVE ACCESS COVER 1/8T (PAINTED)	1	
9	AAA-002-00455	MOTOR SLIDE	2	
10	AAA-006-00135	SPCR PLASTIC 1/4T	3	
11	AAB-007-00600	NEMA 215T MOTOR/ 10HP/ SINGLE PHASE 230V/ 1800RPM/ 1-3/8DIA SHAFT	2	
12	AAB-002-00001	MANUAL HOLDER	1	
13	AAB-012-00043	DECAL IMPORTANT USE PROPER SHEAR BOLTS	1	
14	AAB-012-00116	DECAL DANGER ROTATING AUGER PINCH POINT HAZARD	1	

---

Pos	SKU	Description	Qty	Remark
15	AAB-009-00378	HYD POWER PACK 2HP/ 0.91GPM/ 2850PSI RELIEF/ 3 POSITION DG17V38C60 TANDEM VALVE KMC17/P12/R42/N11/C08/B11/KH	1	
16	AAB-015-10056	BOLT HEX 3/8 X 1 UNC GRD 2	4	
17	AAB-015-10036	BOLT HEX 5/16 X 1 UNC GRD 5	3	
18	AAB-007-00676	V BELT 3-3V900	2	
19	AAB-015-50000	GROMMET 2-3/8ID	1	
20	AAB-012-00032	DECAL DANGER ROTATING DRVLN	1	
21	AAB-012-00035	WARNING ROTATING PART HAZARD	1	
43	AAB-012-00036	DECAL WARNING HIGH PRESSURE FLUID HAZARD	1	
122	AAB-009-00445	FIT 90DEG 6 FJIC X 6 MJIC	2	
123	AAB-009-00713	FIT ADPT 6 MORB X 6 MJIC	2	

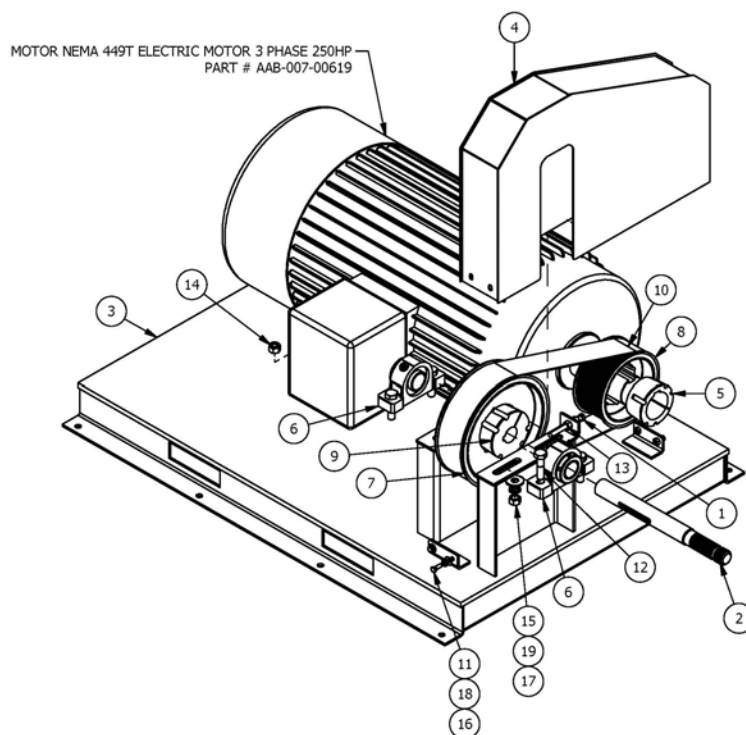
---



Pos	SKU	Description	Qty	Remark
1	AAA-002-02746	MOTOR SLIDE PAINTED	1	
2	AAA-003-00342	5425/5575 STATIONARY PLATFORM WELDMENT PAINTED	1	
3	AAA-003-00355	5425/5575 STATIONARY V-BELT SHIELD PAINTED	1	
4	AAA-003-00358	PTO CONE PLT W/ 1" SLOT 1/4T PAINTED	1	
5	AAA-005-00669	KEY STOCK 1/2 X 1/2 X 2L	2	
6	AAA-007-00070	DRIVE SHAFT 1-3/4 20 SP X 1-15/16DIA KEYED 19-3/4L	1	
7	AAA-007-00734-P3	GRBX 2 SPD AP 502 (1.8:1) & (2.7:1) PAINTED	1	
8	AAA-007-00840-P3	SHIFTER HANDLE WELDMENT AP502 (PAINTED)	1	
9	AAB-007-00322	PTO COVER YELLOW WITH RUBR EXT	1	
10	AAB-007-00323	PTO COVER BLACK FOR DRIVESHAFT 275MM X217MM X 180MM	1	
11	AAB-007-00618	DODGE PILLOWBLOCK BEARING 1-15/16DIA	2	
12	AAB-007-00637	ELECTRIC MOTOR 3PH / 50HP / 230/460V /1800RPM TEFC 326T	1	
13	AAB-007-01059	PTO NUM 6 1-3/4F 20SP X 1-3/4F 20SP X 16.472/20.472	1	

Pos	SKU	Description	Qty	Remark
14	AAB-007-01067	PULLEY 3V/4 GROOVE/10.60"OD/QD BUSHING (BALDOR 455183D)	1	
15	AAB-007-01068	PULLEY 3V/4 GROOVE/19.00"OD/QD BUSHING (BALDOR 455185D)	1	
16	AAB-007-01069	QD BUSHING SK/2-1/8" BORE/1/2" KEYWAY (BALDOR 120439)	1	
17	AAB-015-10070	BOLT HEX 5/8 X 4 UNC GRD 5	1	
18	AAB-007-01071	V-BELT 3V/1 RIB/80L (GATES 3V800)	4	
19	AAB-015-10056	BOLT HEX 3/8 X 1 UNC GRD 2	4	
20	AAB-015-10073	BOLT HEX 16MM X 45MM GRD 10.9	4	
21	AAB-015-10079	BOLT HEX 3/4 X 3 UNC GRD 5	4	
22	AAB-015-10089	BOLT HEX 1/4 X 3/4 GRD 5	4	
23	AAB-015-20015	NUT HEX NYLON LOCK 5/8	4	
24	AAB-015-20016	NUT HEX LOCK NYLON 3/4 UNC GRD 8	4	
25	AAB-015-20017	NUT HEX 3/8 UNC GRD 2	8	
26	AAB-015-20023	NUT HEX 3/4 UNC GRD 5	4	
27	AAB-015-30011	WSHR FLAT 5/16 USS	4	
28	AAB-015-30012	WSHR FLAT 3/8 USS	8	
29	AAB-015-30015	WSHR FLAT 3/4 USS	4	
30	AAB-015-30017	WSHR LOCK 3/8	8	
31	AAB-015-30026	WSHR FLAT 3/4 HARDENED	2	
32	AAB-015-30028	WSHR FLAT 5/8 SAE HARDENED	4	
33	AAB-015-40009	GRIP ADJUSTMENT PIN VINYL 1/2 X 2-1/2	1	



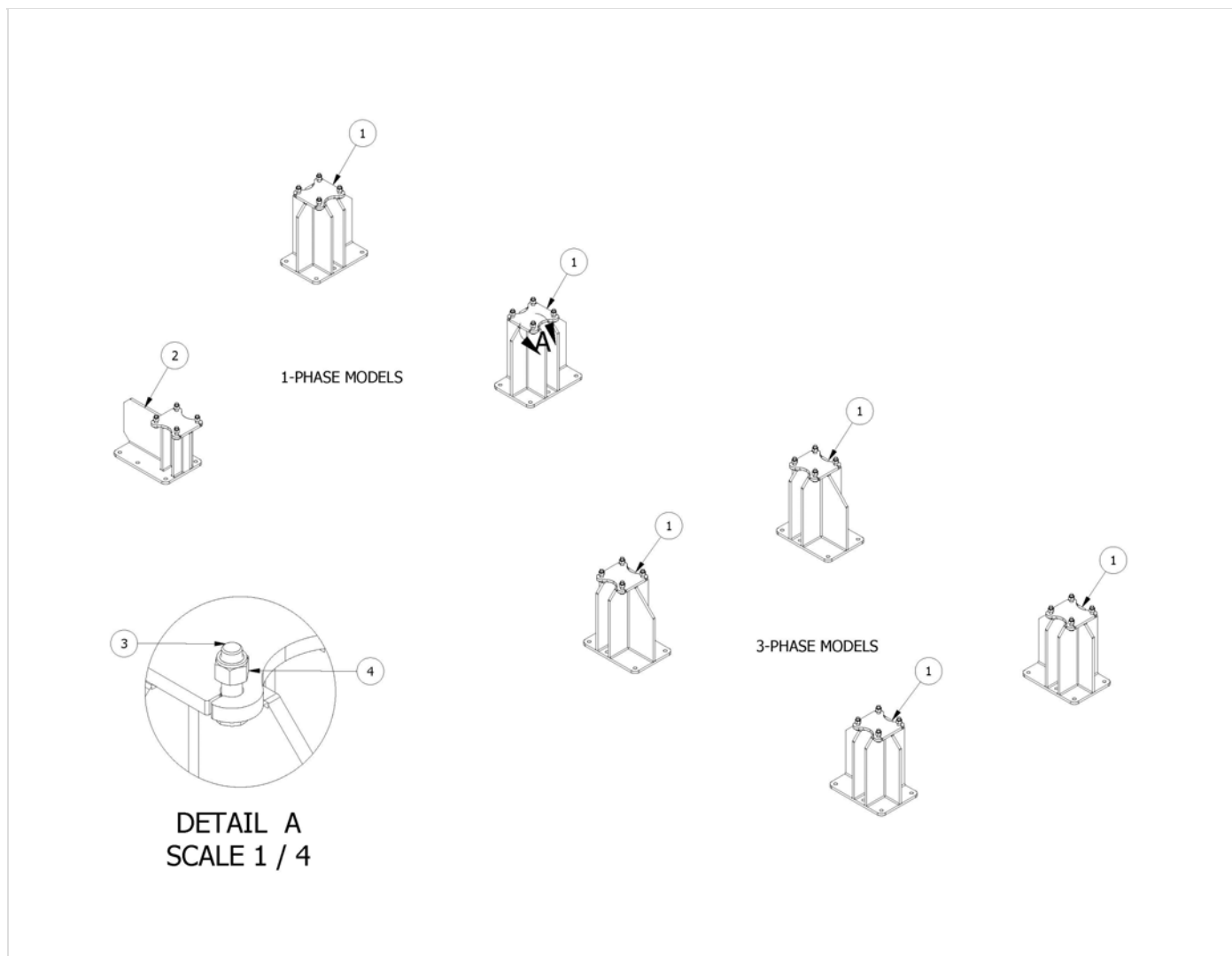


Pos	SKU	Description	Qty	Remark
1	AAA-006-00352	TIGHTENER ROD CNVR BRNG 1/2" x 5" (FULL THREAD)	2	
2	AAA-007-00070	DRIVE SHAFT 1-3/4 20 SP X 1-15/16DIA KEYED 19-3/4L	1	
3	AAA-007-00817	STATIONARY NEMA 449T PLATFORM WELDMENT	1	
4	AAA-007-00825	STATIONARY NEMA 449T BELT SHROUD WELDMENT	1	
5	AAB-007-00613	BUSHING GATES TAPER LOCK 3525 3-3/8	1	
6	AAB-007-00618	DODGE PILLOWBLOCK BEARING 1-15/16DIA	2	
7	AAB-007-00820	SPROCKET GATES POLY CHAIN 14MX-75S-90	1	
8	AAB-007-00821	SPROCKET GATES POLY CHAIN 14MX-50S-90	1	
9	AAB-007-00822	BUSHING GATES TAPER LOCK 4030 1 15/16	1	
10	AAB-007-00823	BELT GATES POLY CHAIN 14MGT-1890-90	1	
11	AAB-015-10056	BOLT HEX 3/8 X 1 UNC GRD 2	4	
12	AAB-015-10079	BOLT HEX 3/4 X 3 UNC GRD 5	4	
13	AAB-015-20011	NUT HEX 1/2 UNC GRD 5	4	
14	AAB-015-20016	NUT HEX LOCK NYLON 3/4 UNC GRD 8	4	
15	AAB-015-20023	NUT HEX 3/4 UNC GRD 5	4	
16	AAB-015-30012	WSHR FLAT 3/8 USS	4	

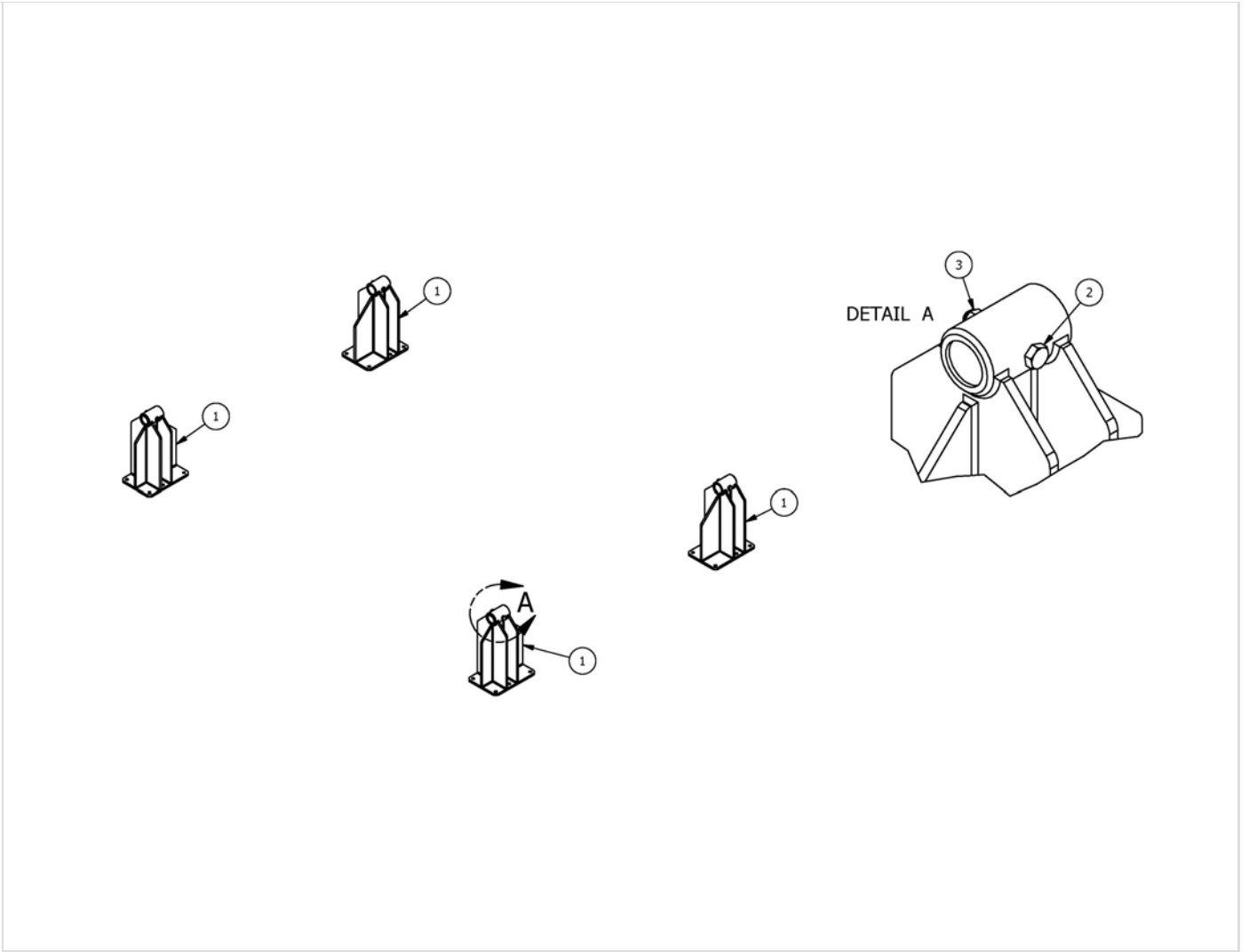
---

<b>Pos</b>	<b>SKU</b>	<b>Description</b>	<b>Qty</b>	<b>Remark</b>
17	AAB-015-30015	WSHR FLAT 3/4 USS	4	
18	AAB-015-30017	WSHR LOCK 3/8	4	
19	AAB-015-30022	WSHR LOCK 3/4	4	
20	AAB-007-00619	NEMA 449T ELECTRIC MOTOR 3 PHASE 250HP	1	

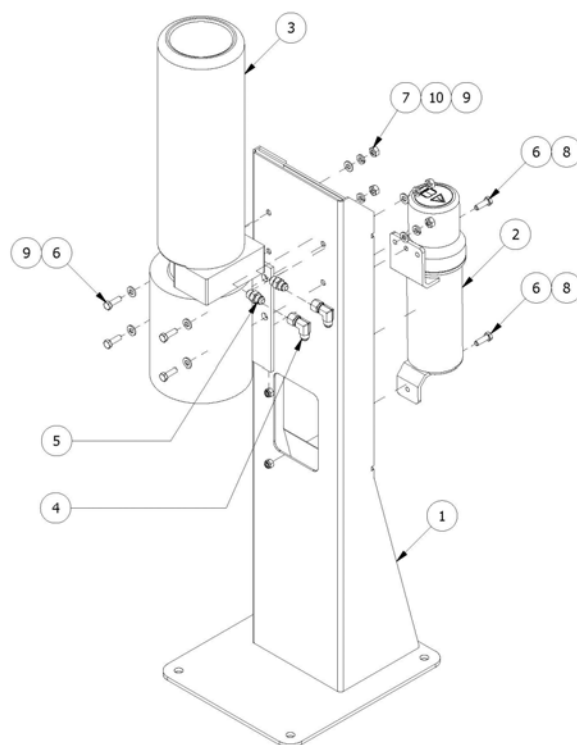
---



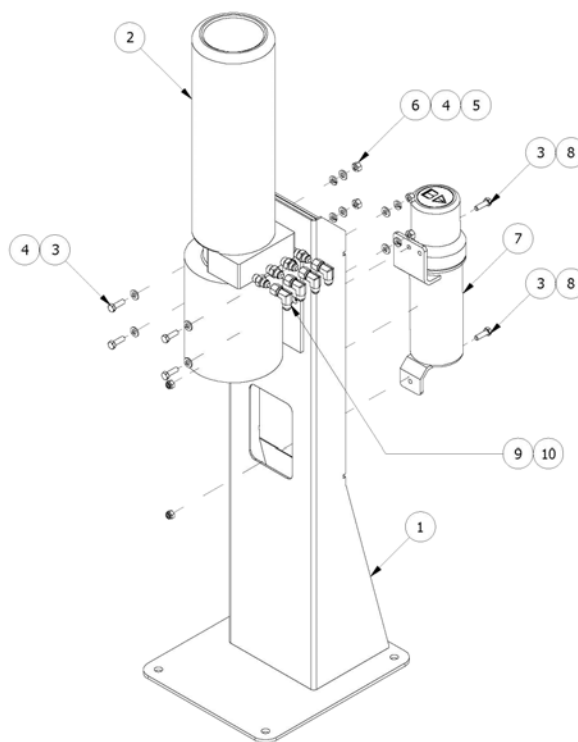
Pos	SKU	Description	Qty	Remark
1	AAA-002-01128-P3	5000 SERIES SNGL STATIONARY FOOT (PAINTED)	1	
2	AAA-002-01131-P3	5000 SERIES SNGL STATIONARY FRT FOOT (PAINTED)	1	
3	AAB-015-10134	BOLT HEX 3/4 X 2-1/2 UNC GRD 8	4	
4	AAB-015-20016	NUT HEX LOCK NYLON 3/4 UNC GRD 8	4	



Pos	SKU	Description	Qty	Remark
1	AAA-002-01105-P3	5000 SERIES TWIN STATIONARY FOOT WELDMENT	4	
2	AAB-015-10071	BOLT HEX 3/4 X 5 GRD 8	4	
3	AAB-015-20016	NUT HEX LOCK NYLON 3/4 UNC GRD 8	4	



Pos	SKU	Description	Qty	Remark
1	AAA-009-00472-P3	STATIONARY POWER PACK KMC16 MOTOR MNT WELDMENT	1	
2	AAB-002-00001	MANUAL HOLDER	1	
3	AAB-009-00378	HYD POWER PACK 2HP/ 0.91GPM/ 2850PSI RELIEF/ 3 POSITION DG17V38C60 TANDEM VALVE KMC17/P12/R42/N11/C08/B11/KH	1	
4	AAB-009-00445	FIT 90DEG 6 FJIC X 6 MJIC	2	
5	AAB-009-00713	FIT ADPT 6 MORB X 6 MJIC	2	
6	AAB-015-10036	BOLT HEX 5/16 X 1 UNC GRD 5	6	
7	AAB-015-20020	NUT HEX 5/16 UNC GRD 2	4	
8	AAB-015-20035	NUT HEX 5/16-18 LOCK NYLON	2	
9	AAB-015-30011	WSHR FLAT 5/16 USS	8	
10	AAB-015-30016	WSHR LOCK 5/16	4	



NOTE: FITTINGS AAB-009-00445 AND AAB-009-00713 ATTACH TO MANIFOLD AND LEVER VALVE NOT PICTURED  
 MANIFOLD / 2-SECTION SERIES / FOR HYD POWER PACK - PART # AAB-009-00718  
 LEVER VALVE / 3-POSITION MOMENTARY / FOR HYD POWER PACK - PART # AAB-009-00719

Pos	SKU	Description	Qty	Remark
1	AAA-009-00472-P3	STATIONARY POWER PACK KMC16 MOTOR MNT WELDMENT	1	
2	AAB-009-00378	HYD POWER PACK 2HP/ 0.91GPM/ 2850PSI RELIEF/ 3 POSITION DG17V38C60 TANDEM VALVE KMC17/P12/R42/N11/C08/B11/KH	1	
3	AAB-015-10036	BOLT HEX 5/16 X 1 UNC GRD 5	6	
4	AAB-015-30011	WSHR FLAT 5/16 USS	8	
5	AAB-015-30016	WSHR LOCK 5/16	4	
6	AAB-015-20020	NUT HEX 5/16 UNC GRD 2	4	
7	AAB-002-00001	MANUAL HOLDER	1	
8	AAB-015-20035	NUT HEX 5/16-18 LOCK NYLON	2	
9	AAB-009-00445	FIT 90DEG 6 FJIC X 6 MJIC	4	NOT PICTURED
10	AAB-009-00713	FIT ADPT 6 MORB X 6 MJIC	4	NOT PICTURED
11	AAA-009-01000	TWIN STATIONARY POWER PACK DUAL DOOR MNT PART SALE ASSY	1	
12	AAB-009-00718	MANIFOLD/ 2-SECTION SERIES/ FOR HYD POWER PACK	1	

---

Pos	SKU	Description	Qty	Remark
12	AAB-009-00719	LEVER VALVE/ 3-POSITION MOMENTARY/ FOR HYD POWER PACK	1	

---