
5000 twin auger mixers

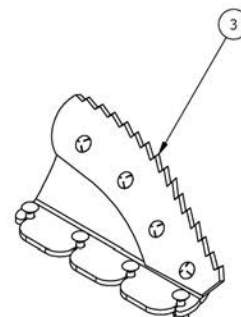
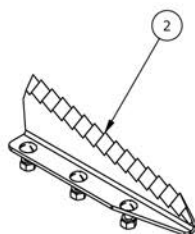
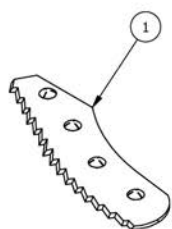
Table of Contents

Book Page	Page Number
Auger	
Knife Options	5
Slide Plate Auger	6
Angling Blade Auger	8
Axle	
Axle ID Chart	10
Axle Mounts (Std)	11
Axle Mounts (Opt)	13
Wheels	14
Hub 8-Bolt	16
Hub 10-Bolt	17
Fenders	19
Conveyor	
Conveyor Wing - 41in & 48in	21
Conveyor Wing - 60in & 72in	23
6ft Conveyor	25
6ft Conveyor with Wing	27
8ft & 9ft2in Conveyor (top view)	29
8ft & 9ft2in Conveyor (bottom view)	31
36in Conveyor (top view)	33
36in Conveyor (bottom view)	35
Conveyor Shields - 6ft	36
Conveyor Shields - Wings	38
Conveyor Shields - 8ft & 9ft2in part 1	40
Conveyor Shields - 8ft & 9ft2in part 2	42

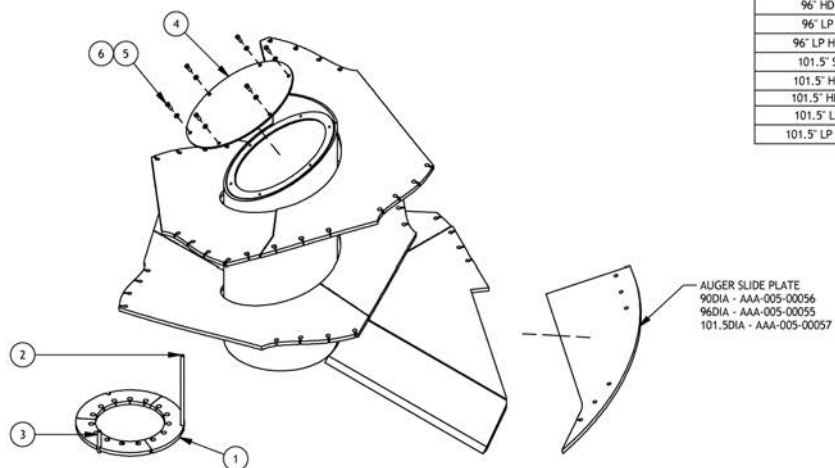
Conveyor Shields - 36in	44
Conveyor Magnet Chute	45
Conveyor Dual Drop Boot	46
Conveyor Drive Shaft	48
36in Conveyor Hydraulics	49
6ft41in Conveyor Hydraulics	50
6ft48in Conveyor Hydraulics	52
6ft60in Conveyor Hydraulics	54
6ft72in Conveyor Hydraulics	56
Dual Drop Boot Hydraulics	58
Dual Discharge Conveyor Hydraulics	59
Right Discharge Conveyor Hydraulics	60
Driveline	
1603 Lower Planetary	61
1602/1603 Upper Planetary	62
1602/1603 Input/Output Seals	63
1602/1603 Bearings	64
2-Speed Gearbox AP502 (1.3:1)(1:1)	65
2-Speed Gearbox AP502 (1.8:1)(1:1)	66
2-Speed Gearbox AP502 (1.8:1)(2.7:1)	67
2-Speed Gearbox AP602 (1.3:1)(1:1)	68
2-Speed Gearbox AP602 (1.8:1)(1:1)	70
2-Speed Gearbox ODG 1.3:1 & 1.8:1	72
2-Speed Remote Shifter AP502 & AP602	74
2-Speed Remote Shifter ODG	76
Standard Driveline Parts	78
2-Speed Driveline Parts	80
PTO AAB-007-00157	82
PTO AAB-007-00158	83
PTO AAB-007-00159	84
PTO AAB-007-00160	85

PTO AAB-007-00161	86
PTO AAB-007-00162	87
PTO AAB-007-00163	88
PTO AAB-007-00164	90
PTO AAB-007-00167	92
Lube System	94
Grease Lines	95
Drum	
Viewing Window	97
Extensions	98
Restrictor Blade	99
Hay Ring	100
Front Door Panel & Tracks	101
Rear Door Panel & Tracks	103
Corner Door Panel & Tracks	105
C-Side Door Panel & Tracks (std)	107
C-Side Door Panel & Tracks (LP)	109
Front Door Arm	110
Corner Door Arm	111
C-Side Door Arm	112
Rear Door Shield	114
Corner Door Shield	116
Corner Door w/ Drop Floor Shield	118
C-Side Door Shield	120
Corner Door Chute	121
C-Side Door Chute	122
Ladder (std)	123
Ladder (LP)	124
Front Door Hydraulics	125
Front Door Hydraulics (LP)	126
Front Corner Door Hydraulics	127

Front Corner Door Hydraulics (LP)	128
Front Corner Door w/ Drop Floor Hydraulics	130
Rear Corner Door Hydraulics	131
Rear Corner Door Hydraulics (LP)	132
Rear Door Hydraulics	133
Front C-Side Door Hydraulics	134
Rear C-Side Door Hydraulics	136
Electrical	
Scale System 5600, 5650, 5750	138
Scale System 5850	139
Scale Accessories	140
Safety Lighting	141
Front-End	
Hitch (std 5600, 5650, 5750)	142
Hitch (std 5850)	143
Ball Hitch	144
Front Frame Assy	145
Small Decals	147
Large Decals	149



Pos	SKU	Description	Qty	Remark
1	AAA-005-00226	STANDARD KNIFE KIT (INCL HARDWARE)	1	
1	AAA-005-01028	STANDARD 10 KNIFE KIT (INCL HARDWARE)	1	
2	AAA-005-00225	VERTICAL KNIFE KIT (INCL HARDWARE)	1	
3	AAA-005-00224	ALEXANDER KNIFE KIT (INCL HARDWARE)	1	



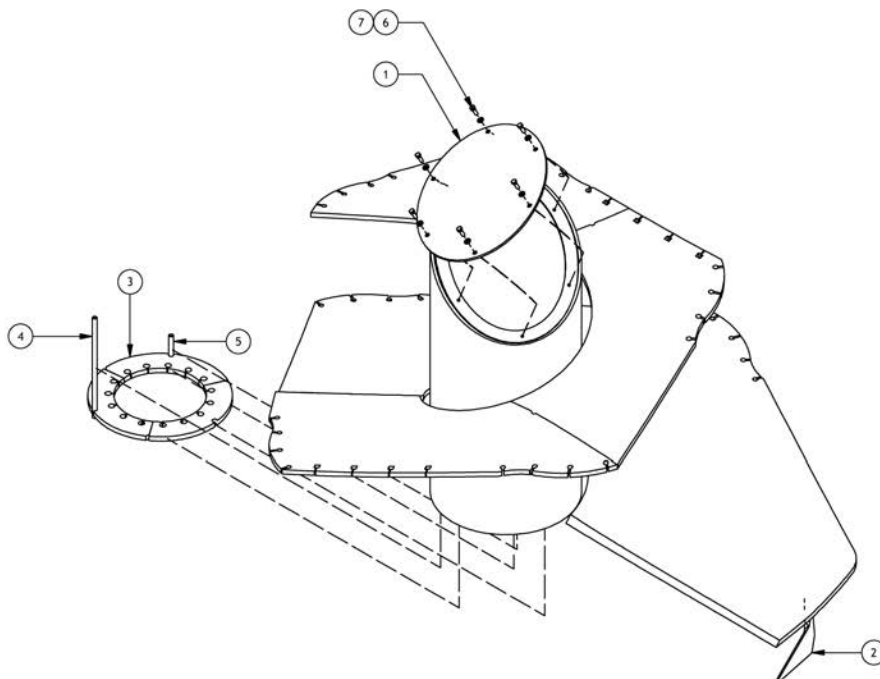
AUGER PART NUMBERS	
AUGER SIZE	PART NUMBER
90" S	AAA-005-00060
90" HD	AAA-005-00265
96" S	AAA-005-00069
96" HD	AAA-005-00238
96" LP	AAA-005-00328
96" LP HD	AAA-005-00332
101.5" S	AAA-005-00063
101.5" HD	AAA-005-00251
101.5" HD*	AAA-005-00296
101.5" LP	AAA-005-00121
101.5" LP HD	AAA-005-00283

AUGER SIZE CHART			
MODEL	90"DIA	96"DIA	101.5"DIA
5350	S		
5400			LP
5425		S	
5575			S
5600		LP	
5650	S		
5750	S, HD		
5850		S, HD	
51000			HD
51250			HD*

S - STANDARD AUGER
 HD - HEAVY DUTY AUGER
 LP - LOW PROFILE AUGER

Pos	SKU	Description	Qty	Remark
1	AAA-005-00061	AUGER SUPT RING	3	
2	AAA-005-00978	AUGER PIPE SCH 40 1/4 IN PIPE 14-1/2 IN LONG	1	
3	AAA-005-00979	AUGER PIPE SCH 40 1/4 IN PIPE 4 IN LONG	1	
4	AAA-005-00066	4000 SERIES AUGER CAP	1	
5	AAB-015-10056	BOLT HEX 3/8 X 1 UNC GRD 2	6	
6	AAB-015-30017	WSHR LOCK 3/8	6	
SLIDE PLATES	AAA-005-00060	SLIDE PLATE AUGER ASSY 90DIA	1	MODEL: 5350, 5650, 5750
SLIDE PLATES	AAA-005-00063	SLIDE PLATE AUGER ASSY 101DIA	1	MODEL: 5575
SLIDE PLATES	AAA-005-00069	SLIDE PLATE AUGER ASSY 96DIA	1	MODEL: 5425, 5850
SLIDE PLATES	AAA-005-00121	4000 SERIES AUGER ASSY 101.5DIA LP	1	MODEL: 5400
SLIDE PLATES	AAA-005-00238	4000 SERIES AUGER ASSY 96DIA HD	1	MODEL: 5425, 5850 - HD AUGER
SLIDE PLATES	AAA-005-00251	4000 SERIES AUGER ASSY 101.5DIA HD	1	MODEL: 5575, 51000 - HD AUGER

Pos	SKU	Description	Qty	Remark
SLIDE PLATES	AAA-005-00265	4000 SERIES AUGER ASSY 90DIA HD	1	MODEL: 5350, 5650, 5750 - HD AUGER
SLIDE PLATES	AAA-005-00283	4000 SERIES AUGER ASSY 101.5DIA LP HD	1	MODEL: 5400 - HD AUGER
SLIDE PLATES	AAA-005-00296	4000 SERIES AUGER ASSY 101.5DIA 41250HD	1	MODEL: 51250 - HD AUGER
SLIDE PLATES	AAA-005-00328	4000 SERIES AUGER ASSY 96DIA LP	1	MODEL: 5600
SLIDE PLATES	AAA-005-00332	4000 SERIES AUGER ASSY 96DIA LP HD	1	MODEL: 5600 - HD AUGER
AUGERS	AAA-005-00055	96DIA SLIDE PLATE	1	MODEL: 5425, 5600, 5850
AUGERS	AAA-005-00056	90DIA SLIDE PLATE 5/8T	1	MODEL: 5350, 5650, 5750
AUGERS	AAA-005-00057	101.5DIA SLIDE PLATE 5/8T	1	MODEL: 5400, 5575, 51000, 51250



AUGER PART NUMBERS	
AUGER SIZE	PART NUMBER
90" S	AAA-005-00093
90" HD	AAA-005-00270
96" S	AAA-005-00094
96" HD	AAA-005-00246
101.5" S	AAA-005-00099
101.5" HD	AAA-005-00249
101.5" LP	AAA-005-00004
101.5" LP HD	AAA-005-00280

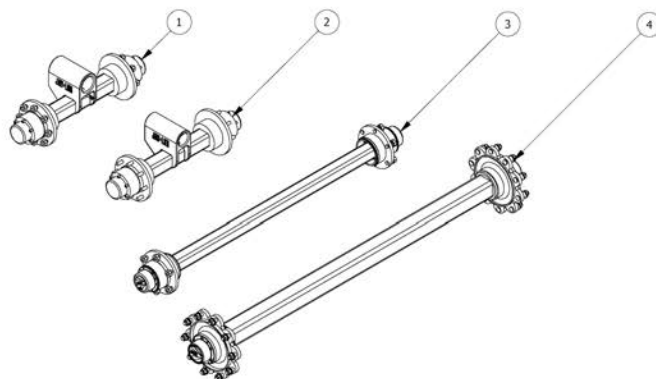
AUGER SIZE CHART			
MODEL	90" DIA	96" DIA	101.5" DIA
5350	S		
5400			LP
5425		S	
5575			S
5600		S	
5650	S		
5750	S, HD		
5850		S, HD	
51000			HD
51250			HD

S - STANDARD AUGER
 HD - HEAVY DUTY AUGER
 LP - LOW PROFILE AUGER

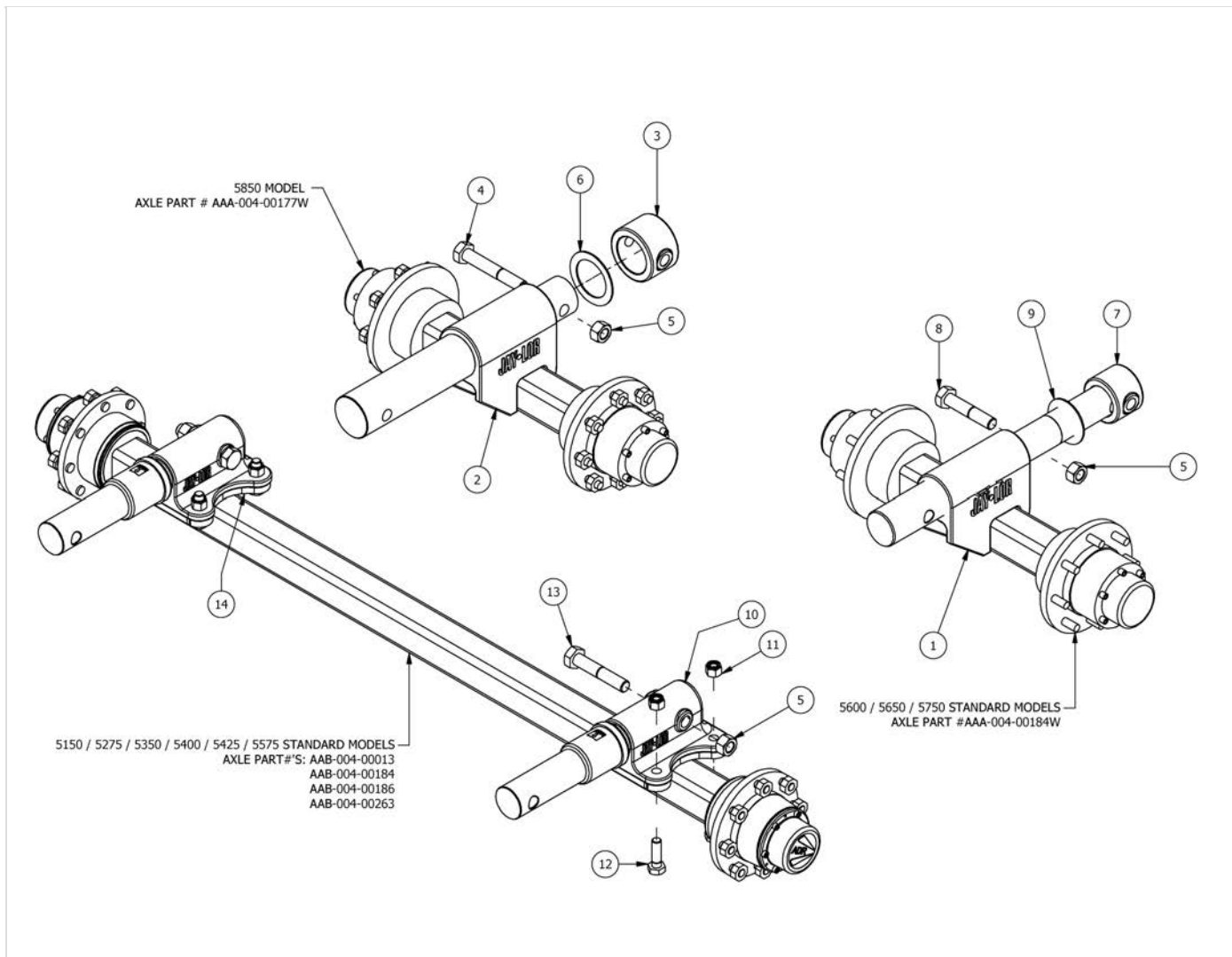
Pos	SKU	Description	Qty	Remark
1	AAA-005-00086	3000 SERIES AUGER CAP	1	
2	AAA-005-00085	ANGLING BLADE 5/8T	1	
3	AAA-005-00061	AUGER SUPT RING	3	
4	AAA-005-00978	AUGER PIPE SCH 40 1/4 IN PIPE 14-1/2 IN LONG	1	
5	AAA-005-00979	AUGER PIPE SCH 40 1/4 IN PIPE 4 IN LONG	1	
6	AAB-015-10056	BOLT HEX 3/8 X 1 UNC GRD 2	6	
7	AAB-015-30017	WSHR LOCK 3/8	6	
AUGERS	AAA-005-00004	ANGLING BLADE AUGER ASSY 101DIA LP	1	MODEL: 5400
AUGERS	AAA-005-00093	ANGLING BLADE AUGER ASSY 90DIA	1	MODEL: 5350, 5650, 5750
AUGERS	AAA-005-00094	ANGLING BLADE AUGER ASSY 96DIA	1	MODEL: 5425, 5600, 5850
AUGERS	AAA-005-00099	ANGLING BLADE AUGER ASSY 101DIA	1	MODEL: 5575, 51000, 51250
AUGERS	AAA-005-00246	3000 SERIES AUGER ASSY 96DIA HD	1	MODEL: 5425, 5600, 5850 - HD AUGERS
AUGERS	AAA-005-00249	3000 SERIES AUGER ASSY 101.5DIA HD	1	MODEL: 5575, 51000, 51250 - HD AUGERS

Pos	SKU	Description	Qty	Remark
AUGERS	AAA-005-00270	3000 SERIES AUGER ASSY 90DIA HD	1	MODEL: 5350, 5650, 5750 - HD AUGERS
AUGERS	AAA-005-00280	3000 SERIES AUGER ASSY 101.5DIA LP HD	1	MODEL: 5400 - HD AUGER

5000 SERIES AXLE PART NUMBER CHART				
MODEL	STANDARD AXLE	STD. AXLE PART #	OPTIONAL AXLE	OPT. AXLE PART #
5275	AXLE W/ GREASE FIT - 6 BOLT X 203 MM BC X 152 MM PILOT X 1550 MM F-F	AAB-004-00263	NA	NA
5600	AXLE OSCILLATING 23 F-F WELDMENT W/ 2.645ID CAST WB TUBE	AAA-004-00184W	AXLE 100MM X 100MM WITH 2030 MM F-F (TRACK)	AAB-004-00017
5650	AXLE OSCILLATING 23 F-F WELDMENT W/ 2.645ID CAST WB TUBE	AAA-004-00184W	AXLE 100MM X 100MM WITH 2030 MM F-F (TRACK)	AAB-004-00017
5750	AXLE OSCILLATING 23 F-F WELDMENT W/ 2.645ID CAST WB TUBE	AAA-004-00184W	AXLE 100MM X 100MM WITH 2030 MM F-F (TRACK)	AAB-004-00017
5850	AXLE OSCILLATING 23 F-F WELDMENT W/ 3.27ID CAST WB TUBE	AAA-004-00177W	NA	NA

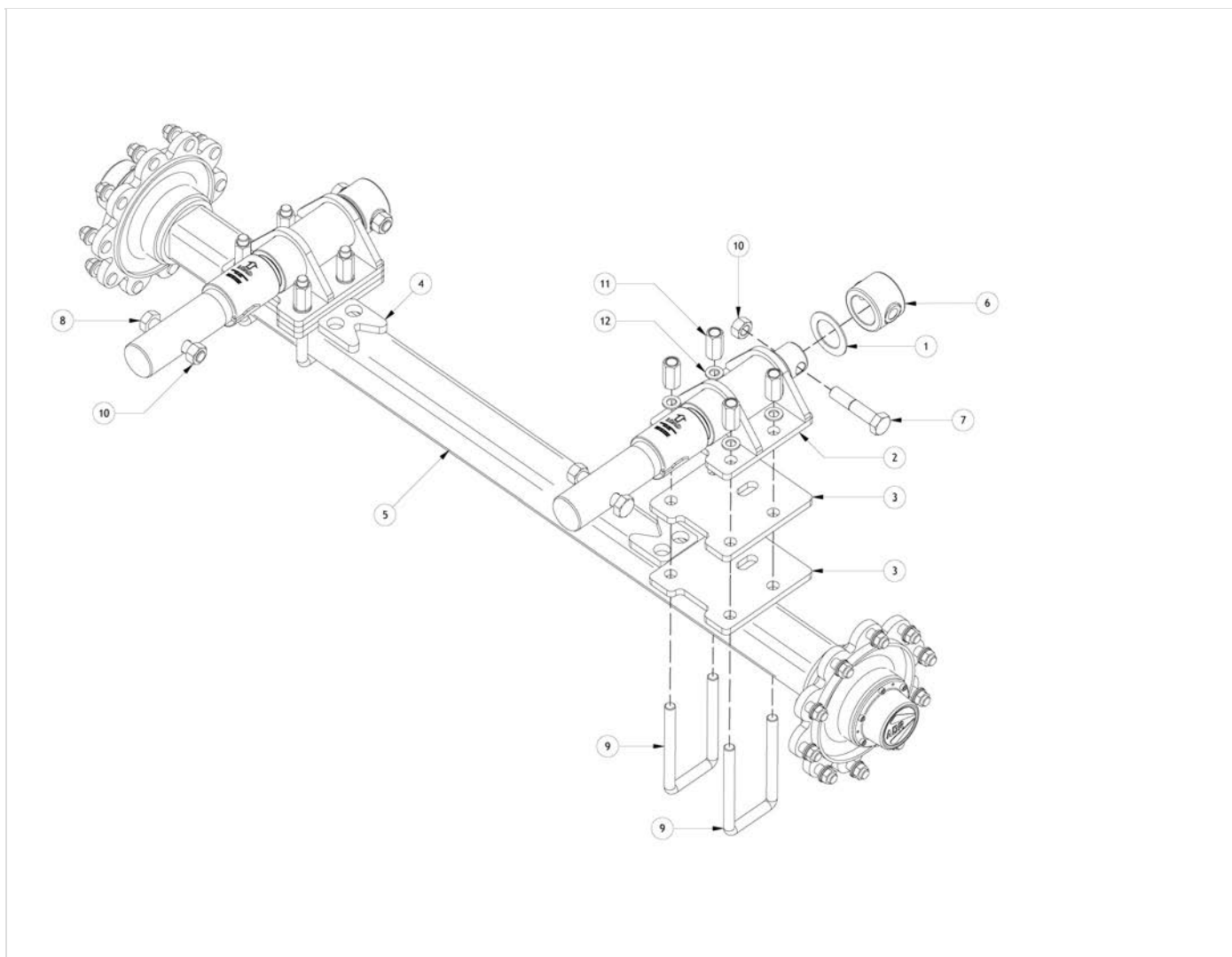


Pos	SKU	Description	Qty	Remark
1	AAA-004-00177W	AXLE OSCILLATING 23 F-F WELDMENT	1	
2	AAA-004-00184W	AXLE OSCILLATING 23 F-F WELDMENT W/ 2.645ID CAST WB TUBE	1	
3	AAB-004-00263	AXLE W/ GREASE FIT - 6 BOLT X 203 MM BC X 152 MM PILOT X 1550 MM F-F	1	
4	AAB-004-00017	AXLE 100MM X 100MM WITH 2030MM [80"] F-F (TRACK)	1	

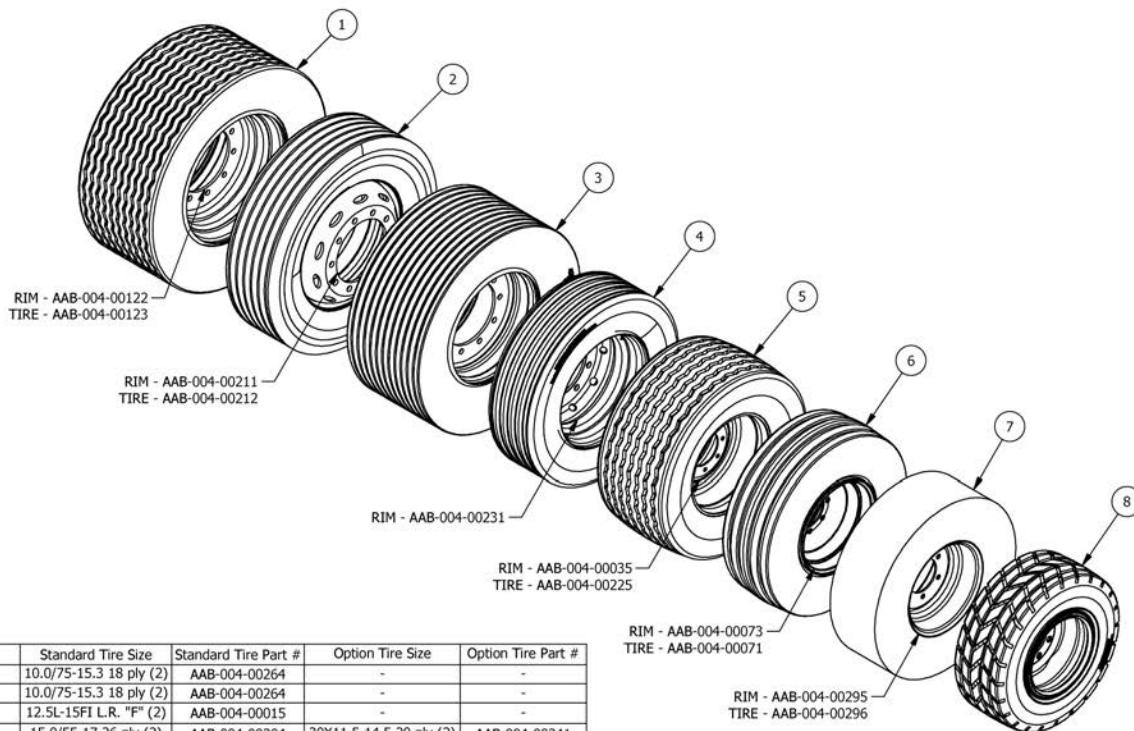


Pos	SKU	Description	Qty	Remark
1	AAA-004-00184	AXLE OSCILLATING 23 F-F PAINTED W/ 2.645ID CAST WB TUBE	1	
2	AAA-004-00177	AXLE OSCILLATING 23 F-F WELDMENT W/ 3.27ID WB TUBE	1	
3	AAB-004-00177	CAST WB TUBE 3.27ID X 4.75OD X 3.03L	1	
4	AAB-015-10083	BOLT HEX 1 X 6-1/2 UNC GRD 8	1	
5	AAB-015-20021	NUT HEX 1" UNC GRD 8	1	
6	AAA-000-00112	SPCR PLASTIC 3-3/8ID X 1/8T FOR OSCILLATING AXLE	1	
7	AAB-004-00176	CAST WB TUBE 2.645ID X 4OD X 2.86L	1	
8	AAB-015-10091	BOLT HEX 1 X 5 UNC GRD 8	1	
9	AAA-000-00113	SPCR NYLON 2-5/8ID X 1/8T FOR OSCILLATING AXLE	1	
10	AAB-004-00170	CAST AXLE WB SUPT 2.895ID X 9L (SINGLES)	1	
11	AAB-015-20016	NUT HEX LOCK NYLON 3/4 UNC GRD 8	1	
12	AAB-015-10134	BOLT HEX 3/4 X 2-1/2 UNC GRD 8	1	
13	AAB-015-10136	BOLT HEX 1 X 5 1/2 UNC GRD 8	1	
14	AAA-004-00190	5000 SERIES AXLE MNT PLT 5/8T	1	

Pos	SKU	Description	Qty	Remark
15	AAA-004-00177W	AXLE OSCILLATING 23 F-F WELDMENT	1	
16	AAA-004-00184W	AXLE OSCILLATING 23 F-F WELDMENT W/ 2.645ID CAST WB TUBE	1	



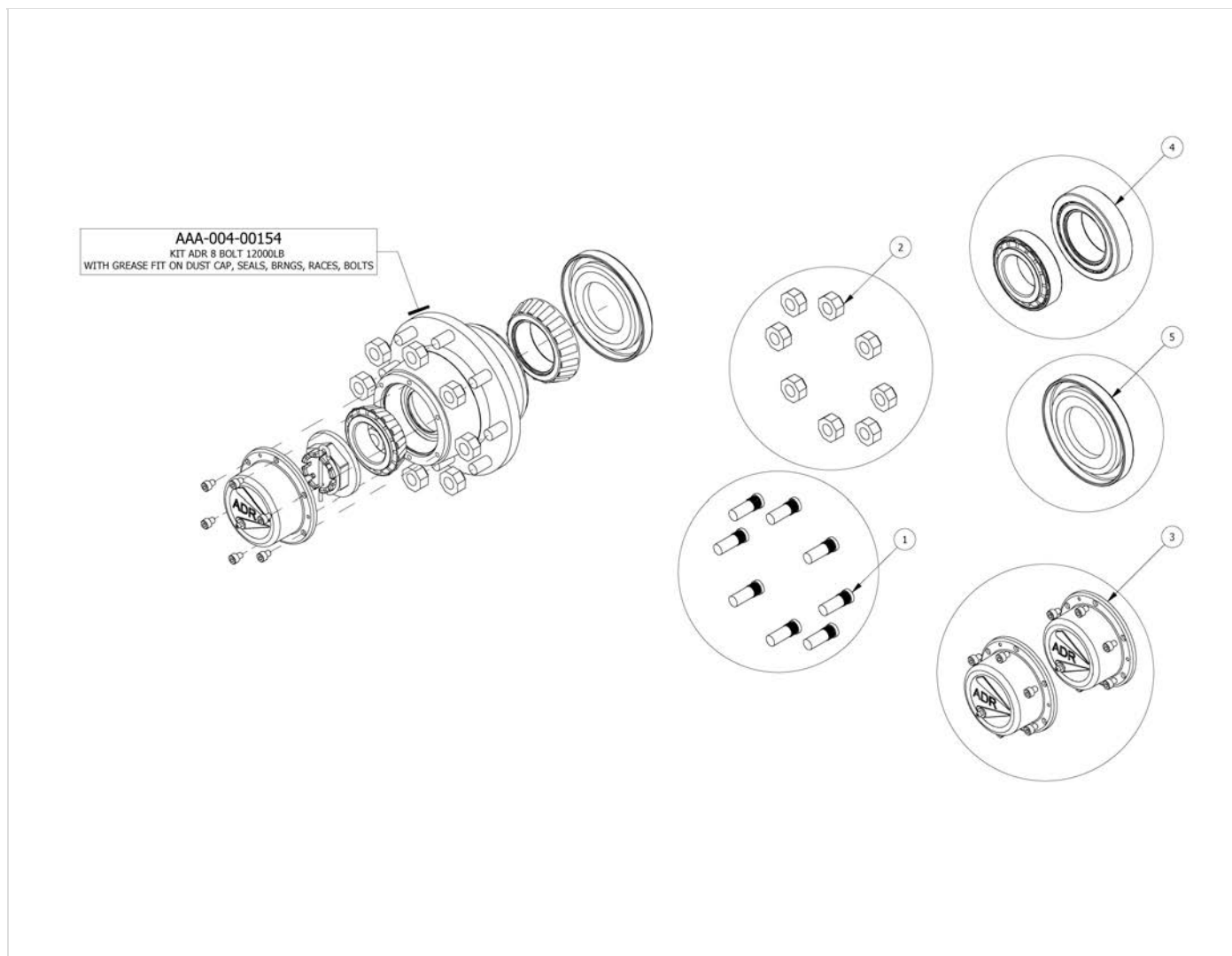
Pos	SKU	Description	Qty	Remark
1	AAA-000-00113	SPCR NYLON 2-5/8ID X 1/8T FOR OSCILLATING AXLE	2	
2	AAA-002-00588	AXLE WB WELDMENT (HD W/ 7/8 U-BOLTS)	2	
3	AAA-002-00589	AXLE PLT UBOLT 100MM AXLE 5/8T	4	
4	AAA-002-01142	AXLE BRACE 3/4T	2	
5	AAB-004-00017	AXLE 100MM X 100MM WITH 2030MM [80"] F-F (TRACK)	1	
6	AAB-004-00176	CAST WB TUBE 2.645ID X 4OD X 2.86L	2	
7	AAB-015-10091	BOLT HEX 1 X 5 UNC GRD 8	2	
8	AAB-015-10136	BOLT HEX 1 X 5 1/2 UNC GRD 8	2	
9	AAB-015-10204	U-BOLT SQ 7/8 X 4W X 9L UNF GRD 8	4	
10	AAB-015-20021	NUT HEX 1" UNC GRD 8	4	
11	AAB-015-20029	NUT HEX COUPLING 7/8 X 2-1/2LG -14 UNF	8	
12	AAB-015-30027	WSHR FLAT 7/8 HARDENED	8	



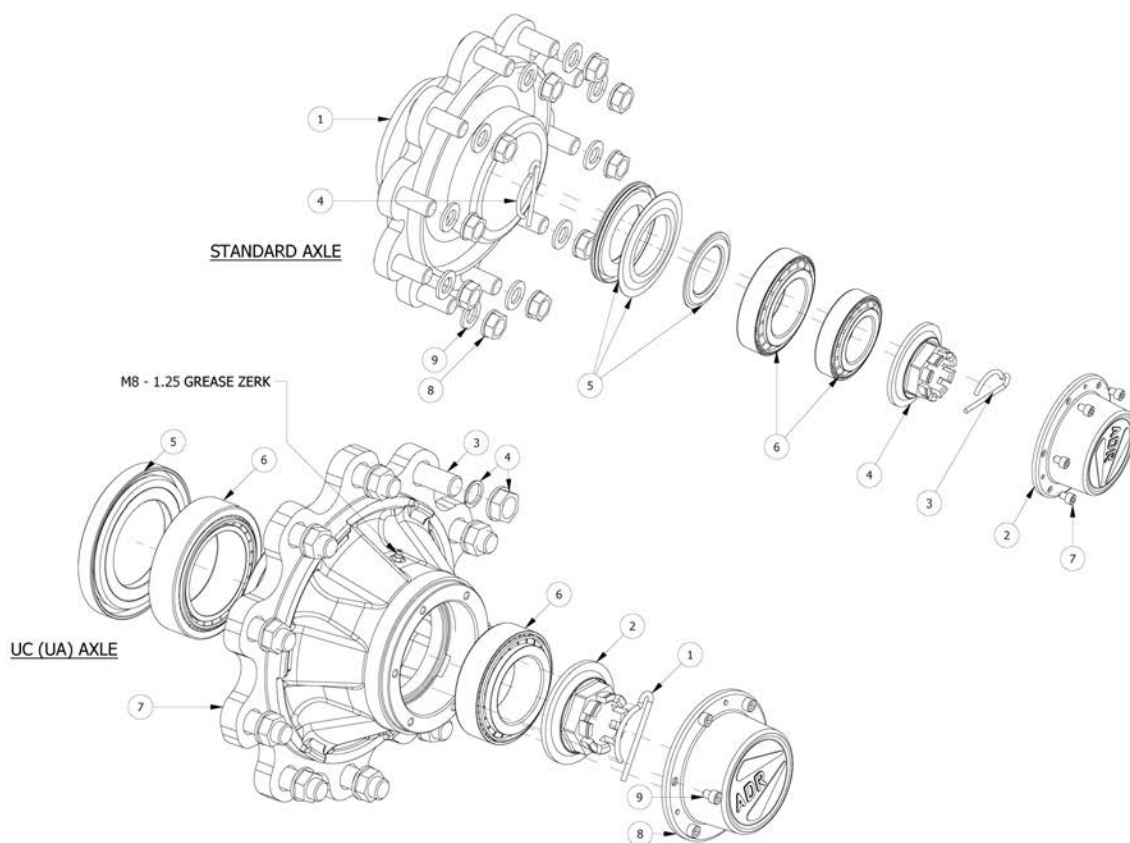
Model	Standard Tire Size	Standard Tire Part #	Option Tire Size	Option Tire Part #
5150	10.0/75-15.3 18 ply (2)	AAB-004-00264	-	-
5275	10.0/75-15.3 18 ply (2)	AAB-004-00264	-	-
5350	12.5L-15FI L.R. "F" (2)	AAB-004-00015	-	-
5400	15.0/55-17 26 ply (2)	AAB-004-00204	30X11.5-14.5 20 ply (2)	AAB-004-00241
5425	15.0/55-17 26 ply (2)	AAB-004-00204	245/70R19.5 (4)	AAB-004-00215
5575	15.0/55-17 26 ply (2)	AAB-004-00204	245/70R19.5 (4)	AAB-004-00215
5600	12.5L-15FI L.R. "F" (4)	AAB-004-00015	30X11.5-14.5 20 ply (4)	AAB-004-00241
5650	12.5L-15FI L.R. "F" (4)	AAB-004-00015	245/70R19.5 (4)	AAB-004-00215
5750	15.0/55-17 26 ply (4)	AAB-004-00204	435/50R 19.5 (2)	AAB-004-00242
5850 REG	15.0/55-17 26 ply (4)	AAB-004-00204	-	-
5850 HD	445/50R22.5 (4)	AAB-004-00124	-	-
51000 HD	275/70R22.5 (8)	AAB-004-00213	-	-
51250 HD	275/70R22.5 (8)	AAB-004-00213	-	-

Pos	SKU	Description	Qty	Remark
1	AAB-004-00124	TIRE AND RIM 445/50R22.5	1	
2	AAB-004-00213	275/70R22.5 TIRE & WHL	1	
3	AAB-004-00242	435/50R19.5 TIRE & WHL ASSEMBLY	1	
4	AAB-004-00215	245/70R19.5 TIRE & WHL	1	
5	AAB-004-00204	TIRE AND RIM RR EXPRESS 13 X 17 WITH 15.0/55-17 26 PLY	1	
6	AAB-004-00015	TIRE 12.5 X 15 - L.R. "F" ON 15 X 10, 8 Bolt 6000LB RIM WITH VALVE GUARD	1	
7	AAB-004-00264	TIRE AND RIM QINGDAO 9 X 15.3 WITH 10.0 / 75 - 15.3 18PLY	1	
8	AAB-004-00241	TIRE & WHL ASSY DELCORA GSP 30 X 11.5 - 14.5	1	
9	AAB-004-00122	RIM 13 X 22.5 11.070 / 13.1875 / 10 OFFSET -0.5"	1	
10	AAB-004-00123	TIRE ONLY 445/50R22.5	1	
11	AAB-004-00211	RIM 22.5 X 8.25"	1	
12	AAB-004-00212	275/70R22.5 TIRE	1	
13	AAB-004-00231	RIM 19.5 X 7.50" JANTSA	1	
14	AAB-004-00035	RIM ALLIANCE 15.0/55-17	1	
15	AAB-004-00225	TIRE RR EXPRESS 15.0/55-17 26 PLY	1	

Pos	SKU	Description	Qty	Remark
16	AAB-004-00073	RIM 15 X 10 8 BOLT WITH VALVE GUARD	1	
17	AAB-004-00071	TIRE 12.5 X 15 L.R. "F"	1	
18	AAB-004-00295	WHEEL 15.3X9.00	1	
19	AAB-004-00296	TIRE 10.0/75 - 15.3 18 PLY	1	



Pos	SKU	Description	Qty	Remark
1	AAB-004-00129	KIT ADR 10X M16 X 50MM WHL STUDS FOR 8-BOLT AXLE	1	
2	AAB-004-00128	KIT ADR 10X M16 WHEEL NUTS FOR 8-BOLT AXLE	1	
3	AAA-004-00155	ADR DUST CAP KIT (INCLUDES 2 DUST CAPS, GREASE FIT, SEALS AND BOLTS)	1	
4	AAB-004-00022	ADR BEARING & RACE KIT - INCLUDES INNER & OUTER BEARING & RACE (32215, 32212)	1	
5	AAB-004-00117	SEAL GREASE INDUSTRIAL NILOS FOR ADR 8 BOLT AXLE 5471301	1	
6	AAA-004-00154	ADR 8-BOLT HUB KIT (INCLUDES DUST CAP, SEAL, BEARINGS, RACES)	1	



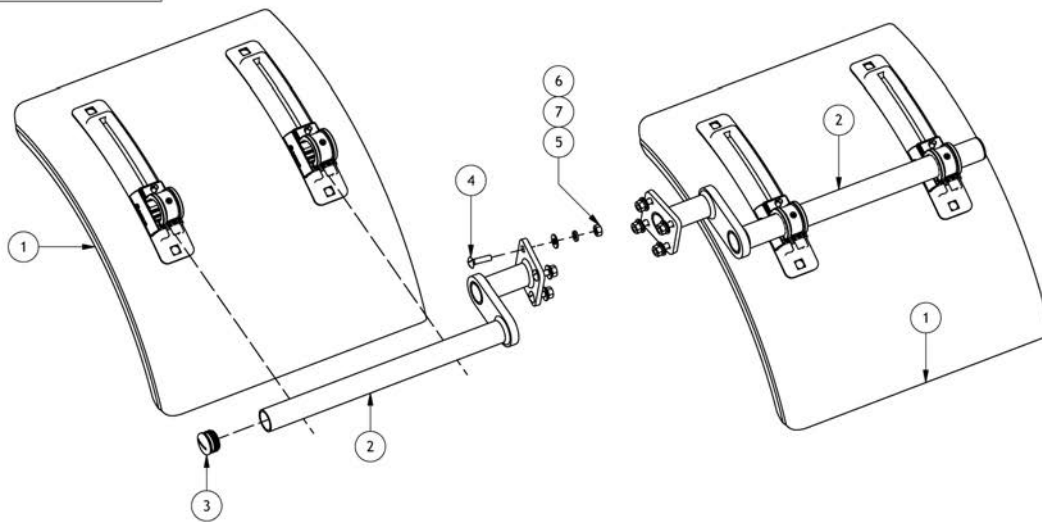
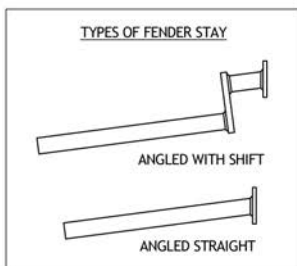
Pos	SKU	Description	Qty	Remark
1	AAA-004-00159	ADR 10-BOLT HUB W/ STUDS - UI - OLD STYLE W/O GREASE NIPPLE	1	
2	AAA-004-00160	PAINTED KIT ADR 10 BOLT HUB DUST CAP W/SEAL	1	
3	AAB-004-00030	PIN SPRING FOR ADR AXLE NUT	1	
4	AAB-004-00039	NUT AXLE SLOTTED FOR ADR 10 BOLT	1	
5	AAB-004-00046	ADR SEAL KIT FOR 10 BOLT AXLE	1	
6	AAB-004-00047	ADR BEARING KIT FOR 10 BOLT AXLE - 32214, 32217	1	
7	AAB-015-10037	BOLT SHCS 8MM X 10MM GRD 8.8	6	
8	AAB-015-20010	WHEEL NUT HEX M22 X 1.5	10	
9	AAB-015-30027	WSHR FLAT 7/8 HARDENED	10	
1-UC	AAB-004-00030	PIN SPRING FOR ADR AXLE NUT	1	
2-UC	AAB-004-00039	NUT AXLE SLOTTED FOR ADR 10 BOLT	1	
3-UC	AAB-004-00048	KIT STUDS 10 BOLT ADR HUB	1	
4-UC	AAB-004-00134	KIT ADR 10 BOLT M22 NUT AND SPHERICAL LOCK WASHER	1	
5-UC	AAB-004-00230	ADR INDUSTRIAL GREASE SEAL FOR 10-BOLT HUB (5471402)	1	
6-UC	AAB-004-00245	BRNG KIT UA/UC TYPE 10 BOLT AXLE (33114, 33018)	1	

Pos	SKU	Description	Qty	Remark
7-UC	AAB-004-00246	ADR 10-BOLT HUB W/O STUDS - UC / UA AXLE	1	
8-UC	AAA-004-00160-P3	PAINTED KIT ADR 10 BOLT HUB DUST CAP W/SEAL	1	
9-UC	AAB-015-10037	BOLT SHCS 8MM X 10MM GRD 8.8	6	

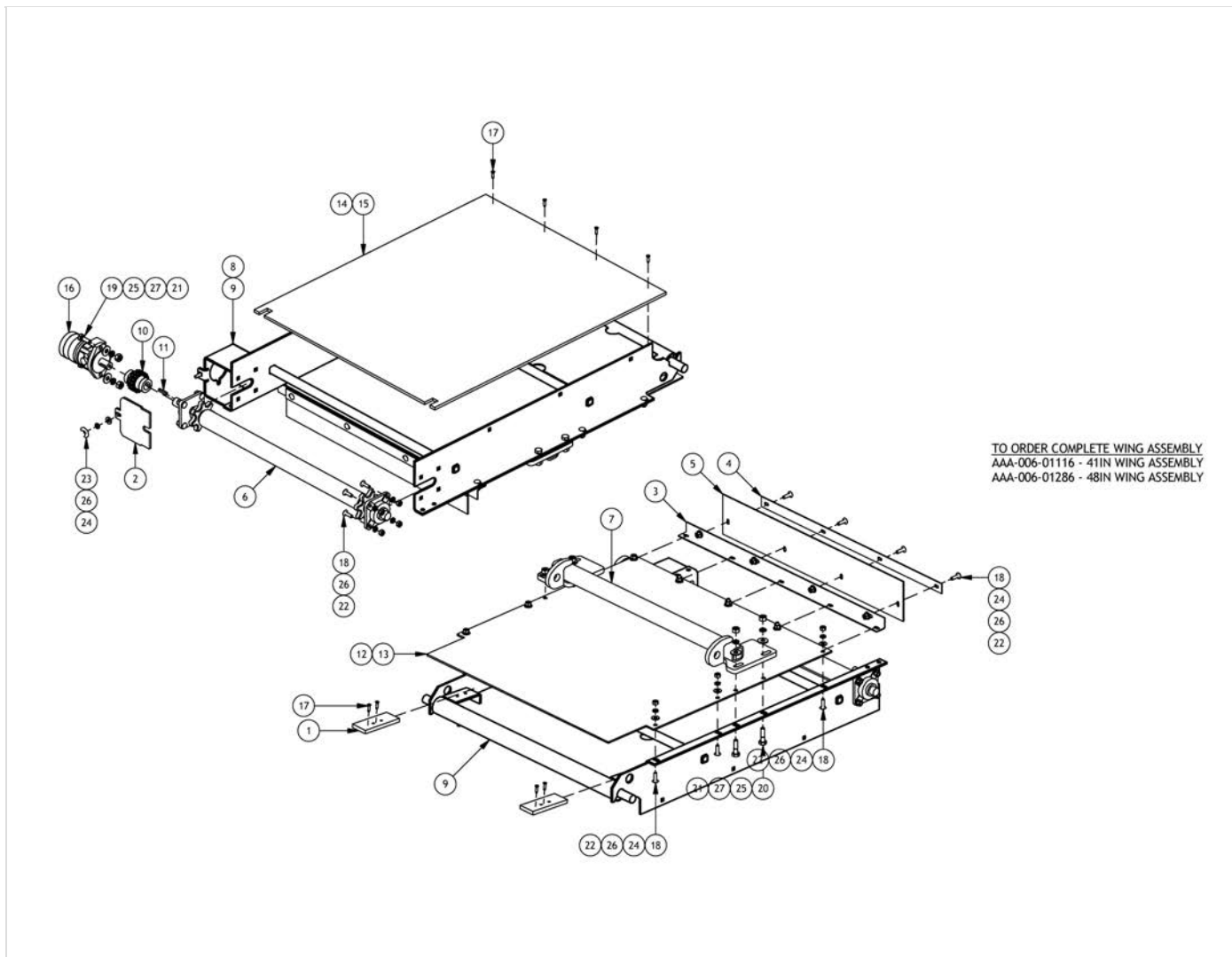
CHART I : KIT-DEPENDENT PARTS		
KIT #	PART 1	PART 2
J	AAB-004-00260	AAA-004-00237-P3
K	AAB-004-00257	AAA-004-00238-P3
L	AAB-004-00258	AAA-004-00238-P3
M	AAB-004-00259	AAA-004-00239-P3

CHART II : KIT SELECTION		
MODEL	TIRE	KIT #
5600	8 PLY	K
	26 PLY	K
	LOW PRO	K
	19.5 DUAL	M
	19.5 SUPER SINGLE	M
5650	8 PLY	K
	26 PLY	K
	19.5 DUAL	M
	19.5 SUPER SINGLE	M
	8 PLY	K
5750	8 PLY	K
	26 PLY	K
	19.5 DUAL	M
	19.5 SUPER SINGLE	M
	8 PLY	K
5850	ANY	K
	5750HD	L
	5850HD	L
	51000HD	J
	51250HD	J

CHART III : KIT PART NUMBERS		
KIT #	PART NUMBER	TITLE
J	AAA-004-00363	TMR FENDER KIT J
K	AAA-004-00364	TMR FENDER KIT K
L	AAA-004-00365	TMR FENDER KIT L
M	AAA-004-00366	TMR FENDER KIT M

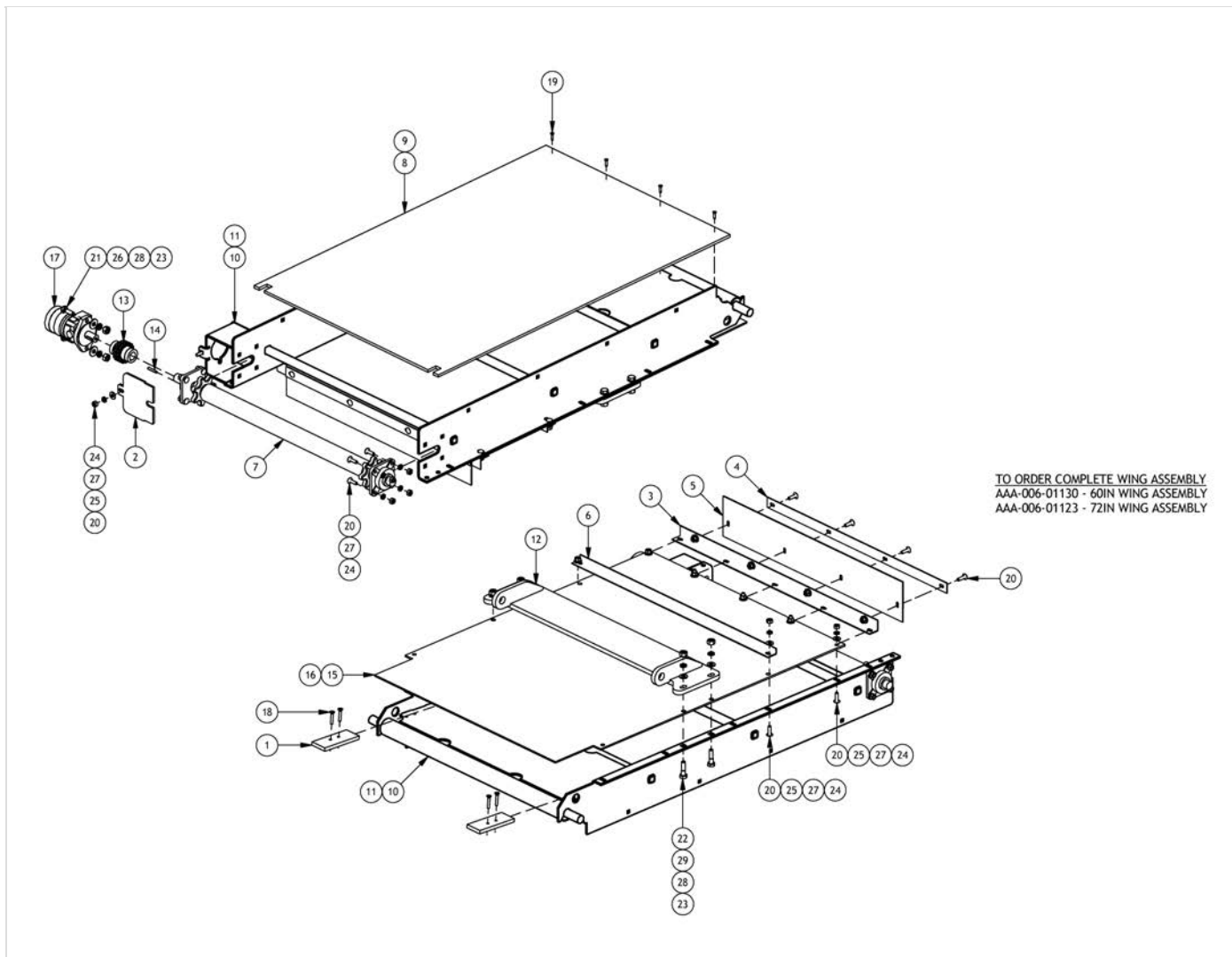


Pos	SKU	Description	Qty	Remark
1	AAB-004-00257	DK1010 QTR FNDR W/MOUNTING HARDWARE	2	KIT: K
1	AAB-004-00258	DK1015 QTR FNDR W/MOUNTING HARDWARE	2	KIT: L
1	AAB-004-00259	DK1020 QTR FNDR W/MOUNTING HARDWARE	2	KIT: M
1	AAB-004-00260	DK1025 QTR FNDR W/MOUNTING HARDWARE	2	KIT: J
2	AAA-004-00237-P3	STRAIGHT FENDER STAY 23-3/4 INCH OFFSET (BLACK)	2	KIT: J
2	AAA-004-00238-P3	STRAIGHT FENDER STAY 20-1/4 INCH OFFSET (BLACK)	2	KIT: K, L
2	AAA-004-00239-P3	STRAIGHT FENDER STAY 22 INCH OFFSET (BLACK)	2	KIT: M
3	AAB-004-00261	TUBE CAP DK8410	8	
4	AAB-015-10061	BOLT CARRIAGE 3/8 X 1-1/2 UNC GRD 5	8	
5	AAB-015-20017	NUT HEX 3/8 UNC GRD 2	8	
6	AAB-015-30012	WSHR FLAT 3/8 USS	8	
7	AAB-015-30017	WSHR LOCK 3/8	8	
8	AAA-004-00363	TMR FENDER KIT J	1	
8	AAA-004-00364	TMR FENDER KIT K	1	
8	AAA-004-00365	TMR FENDER KIT L	1	
8	AAA-004-00366	TMR FENDER KIT M	1	



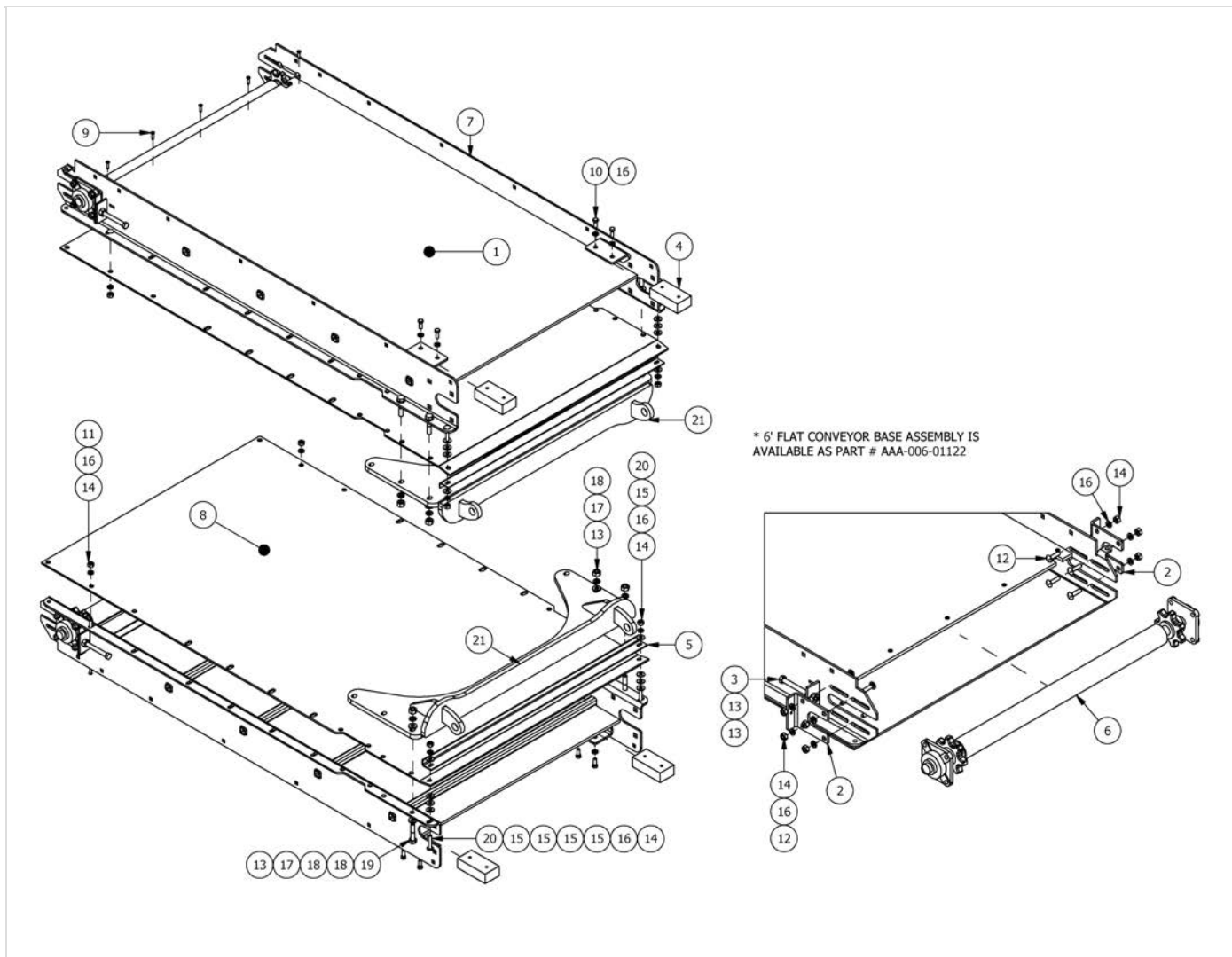
Pos	SKU	Description	Qty	Remark
1	AAA-006-00068	WEAR PLT POLY	2	
2	AAA-006-00272	MOTOR COVER PLT 1/4T	1	
3	AAA-006-00407	PLASTIC SUPT AND RUBR BRKT 38-1/2 FOR WING CNVR	1	
4	AAA-006-00409	RUBR FLAP RETAINER FB	1	
5	AAA-006-00410	RUBR FLAP FOR UNDERSIDE OF CNVR	1	
6	AAA-006-00617-P3	CNVR DRIVESHAFT ASSY	1	
7	AAA-006-01147-P3	CNVR 41 & 48 WING 2CYL MNT 5000 SERIES PAINTED	1	
8	AAA-006-01117	CNVR WING 41 WELDMNT 5000 SERIES	1	
9	AAA-006-01289	CNVR WING 48 GALVANIZED 5000 SERIES	1	
10	AAB-006-00026	COUPLER CNVR DRIVE ASSY WITH 1/4 KEYWAY	1	
11	AAB-006-00030	KEY 1/4 X 1 1/2	1	
12	AAB-006-00085	CNVR UNDERSHIELD 41 IN WING HDPE BLACK 0.22T	1	
13	AAB-006-00177	CNVR UNDERSHIELD 48 IN WING HDPE BLACK 0.22T	1	
14	AAA-006-00237	FLR 41 CNVR WING 3/8T HDPE	1	
15	AAB-006-00178	FLR 48 CNVR WING 3/8T HDPE	1	

Pos	SKU	Description	Qty	Remark
16	AAB-009-00284	MOTOR HYD 160CC 1 KEYED SHAFT 2 BOLT FLNG SAE 10	1	
17	AAB-015-10051	SCREW TORX FLRBOARD 1/4 X 1	8	
18	AAB-015-10060	BOLT CARRIAGE 3/8 X 1-1/4 UNC GRD 2	22	
19	AAB-015-10063	BOLT HEX 1/2 X 1-1/2 UNC GRD 5	2	
20	AAB-015-10064	BOLT HEX 1/2 X 2 UNC GRD 5	4	
21	AAB-015-20011	NUT HEX 1/2 UNC GRD 5	6	
22	AAB-015-20017	NUT HEX 3/8 UNC GRD 2	21	
23	AAB-015-20041	WING NUT FORGED 3/8-16	1	
24	AAB-015-30012	WSHR FLAT 3/8 USS	14	
25	AAB-015-30013	WSHR FLAT 1/2 USS	6	
26	AAB-015-30017	WSHR LOCK 3/8	22	
27	AAB-015-30018	WSHR LOCK 1/2	6	
28	AAA-006-01116	CNVR WING ASSY 41IN 5000 SERIES	1	
29	AAA-006-01286	CNVR WING ASSY 48IN 5000 SERIES	1	



Pos	SKU	Description	Qty	Remark
1	AAA-006-00068	WEAR PLT POLY	2	
2	AAA-006-00272	MOTOR COVER PLT 1/4T	1	
3	AAA-006-00407	PLASTIC SUPT AND RUBR BRKT 38-1/2 FOR WING CNVR	1	
4	AAA-006-00409	RUBR FLAP RETAINER FB	1	
5	AAA-006-00410	RUBR FLAP FOR UNDERSIDE OF CNVR	1	
6	AAA-006-00421	SUPT ANGLE CNVR BOTTOM SHIELD	1	
7	AAA-006-00617-P3	CNVR DRIVESHAFT ASSY	1	
8	AAA-006-00826	FLR 5FT CNVR WING 3/8T HDPE	1	
9	AAA-006-00238	FLR 6FT CNVR WING 3/8T HDPE	1	
10	AAA-006-01131	CNVR WING 60 WELDMNT 5000 SERIES	1	
11	AAA-006-01124	CNVR 72 IN WING WELDMNT 5000 SERIES	1	
12	AAA-006-01144-P3	CNVR 60/72 WING 2 CYL MNT WELDMNT 5000 SERIES (BLACK)	1	
13	AAB-006-00026	COUPLER CNVR DRIVE ASSY WITH 1/4 KEYWAY	1	
14	AAB-006-00030	KEY 1/4 X 1 1/2	1	
15	AAB-006-00092	CNVR UNDERSHIELD 60IN WING HDPE BLACK 0.22T	1	

Pos	SKU	Description	Qty	Remark
16	AAB-006-00082	CNVR UNDERSHIELD 72IN WING HDPE BLACK 0.22T	1	
17	AAB-009-00284	MOTOR HYD 160CC 1 KEYED SHAFT 2 BOLT FLNG SAE 10	1	
18	AAB-015-10031	BOLT TORX 5/16 X 1 3/4 UNC	4	
19	AAB-015-10051	SCREW TORX FLRBOARD 1/4 X 1	4	
20	AAB-015-10060	BOLT CARRIAGE 3/8 X 1-1/4 UNC GRD 2	20	
21	AAB-015-10063	BOLT HEX 1/2 X 1-1/2 UNC GRD 5	2	
22	AAB-015-10064	BOLT HEX 1/2 X 2 UNC GRD 5	4	
23	AAB-015-20011	NUT HEX 1/2 UNC GRD 5	6	
24	AAB-015-20017	NUT HEX 3/8 UNC GRD 2	20	
25	AAB-015-30012	WSHR FLAT 3/8 USS	12	
26	AAB-015-30013	WSHR FLAT 1/2 USS	2	
27	AAB-015-30017	WSHR LOCK 3/8	20	
28	AAB-015-30018	WSHR LOCK 1/2	6	
29	AAB-015-30035	WSHR FLAT HARDENED 1/2ID X 1-1/16OD X 1/8T	8	
30	AAA-006-01130	CNVR WING ASSY 60IN 5000 SERIES	1	
31	AAA-006-01123	CNVR WING ASSY 72IN 5000 SERIES	1	



Pos	SKU	Description	Qty	Remark
1	AAA-006-00239	FLR 6FT CNVR FLAT 3/8T HDPE	1	
2	AAA-006-00351	CNVR FLNG BRNG HOLDER	2	
3	AAA-006-00352	TIGHTENER ROD CNVR BRNG 1/2" x 5" (FULL THREAD)	2	
4	AAA-006-00363	UPPR UHMW BLOCK	2	
5	AAA-006-00406	SUPT ANGLE CNVR BOTTOM SHIELD	1	
6	AAA-006-00618-P3	CNVR IDLER SHAFT ASSY	1	
7	AAA-006-00929	CNVR 6 FT FLAT WELDMNT 5000 SERIES (1.5IN PIVOT)	1	
8	AAB-006-00084	CNVR UNDERSHIELD 6FT FLAT HDPE BLACK 0.22T	1	
9	AAB-015-10051	SCREW TORX FLRBOARD 1/4 X 1	5	
10	AAB-015-10056	BOLT HEX 3/8 X 1 UNC GRD 2	4	
11	AAB-015-10060	BOLT CARRIAGE 3/8 X 1-1/4 UNC GRD 2	2	
12	AAB-015-10061	BOLT CARRIAGE 3/8 X 1-1/2 UNC GRD 5	8	
13	AAB-015-20011	NUT HEX 1/2 UNC GRD 5	7	
14	AAB-015-20017	NUT HEX 3/8 UNC GRD 2	12	
15	AAB-015-30012	WSHR FLAT 3/8 USS	8	
16	AAB-015-30017	WSHR LOCK 3/8	16	

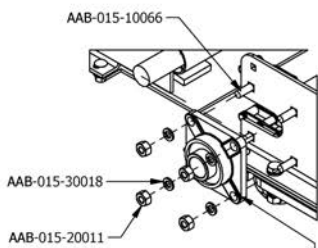
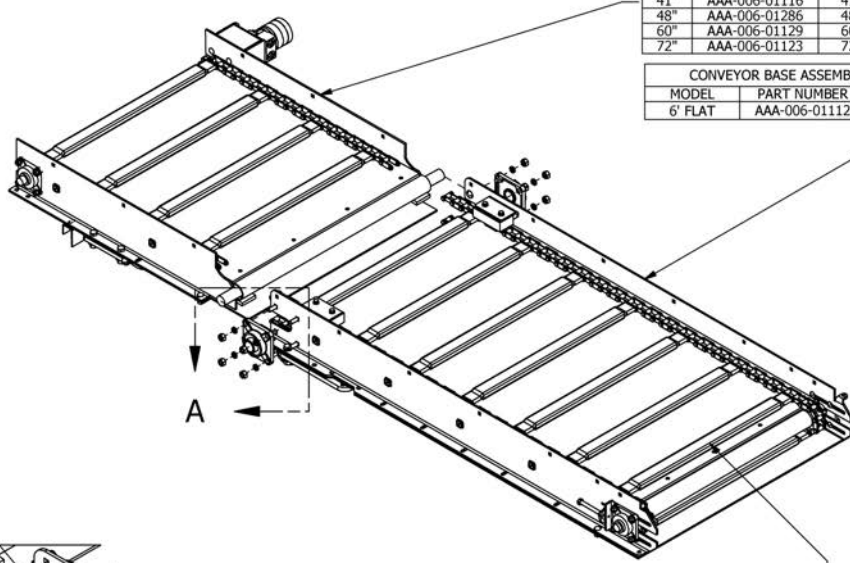
Pos	SKU	Description	Qty	Remark
17	AAB-015-30018	WSHR LOCK 1/2	3	
18	AAB-015-30035	WSHR FLAT HARDENED 1/2ID X 1-1/16OD X 1/8T	6	
19	AAB-015-10088	BOLT HEX 1/2 X 2-1/2 UNC GRD 5	3	
20	AAB-015-10081	BOLT CARRIAGE 3/8 X 2 UNC GRD 5	2	
21	AAA-006-01146-P3	CNVR 6 FLAT 2 CYL MNT WELDMENT 5000 SERIES	1	
22	AAA-006-01122	6FT 72IN BASE ASSY 5000 SERIES	1	

CONVEYOR BASE ASSEMBLY HARDWARE			
MODEL	PART NUMBER	DESCRIPTION	QTY
ALL	AAB-015-20011	HEX NUT 1/2 UNC GRD 5	8
ALL	AAB-015-30018	LOCK WASHER 1/2	8
ALL	AAB-015-10066	CARRIAGE BOLT 1/2 X 1-1/2 UNC GRD 5	8

CONVEYOR BASE ASSEMBLIES 5000 SERIES - ASSEMBLY PART NUMBERS			
MODEL	PART NUMBER	DESCRIPTION	QTY
6'41"	AAA-006-01111	6FT 41IN BASE ASSEMBLY	1
6' 60"	AAA-006-01129	6FT 60IN BASE ASSEMBLY	1
6' 72"	AAA-006-01122	6FT 72IN BASE ASSEMBLY	1

CONVEYOR BASE ASSEMBLIES 5000 SERIES - WING ASSEMBLIES			
MODEL	PART NUMBER	DESCRIPTION	QTY
41"	AAA-006-01116	41IN CONVEYOR WING ASSEMBLY	1
48"	AAA-006-01286	48IN CONVEYOR WING ASSEMBLY	1
60"	AAA-006-01129	60IN CONVEYOR WING ASSEMBLY	1
72"	AAA-006-01123	72IN CONVEYOR WING ASSEMBLY	1

CONVEYOR BASE ASSEMBLIES 5000 SERIES - BED ASSEMBLY			
MODEL	PART NUMBER	DESCRIPTION	QTY
6' FLAT	AAA-006-01112	6FT FLAT CONVEYOR ASSEMBLY	1



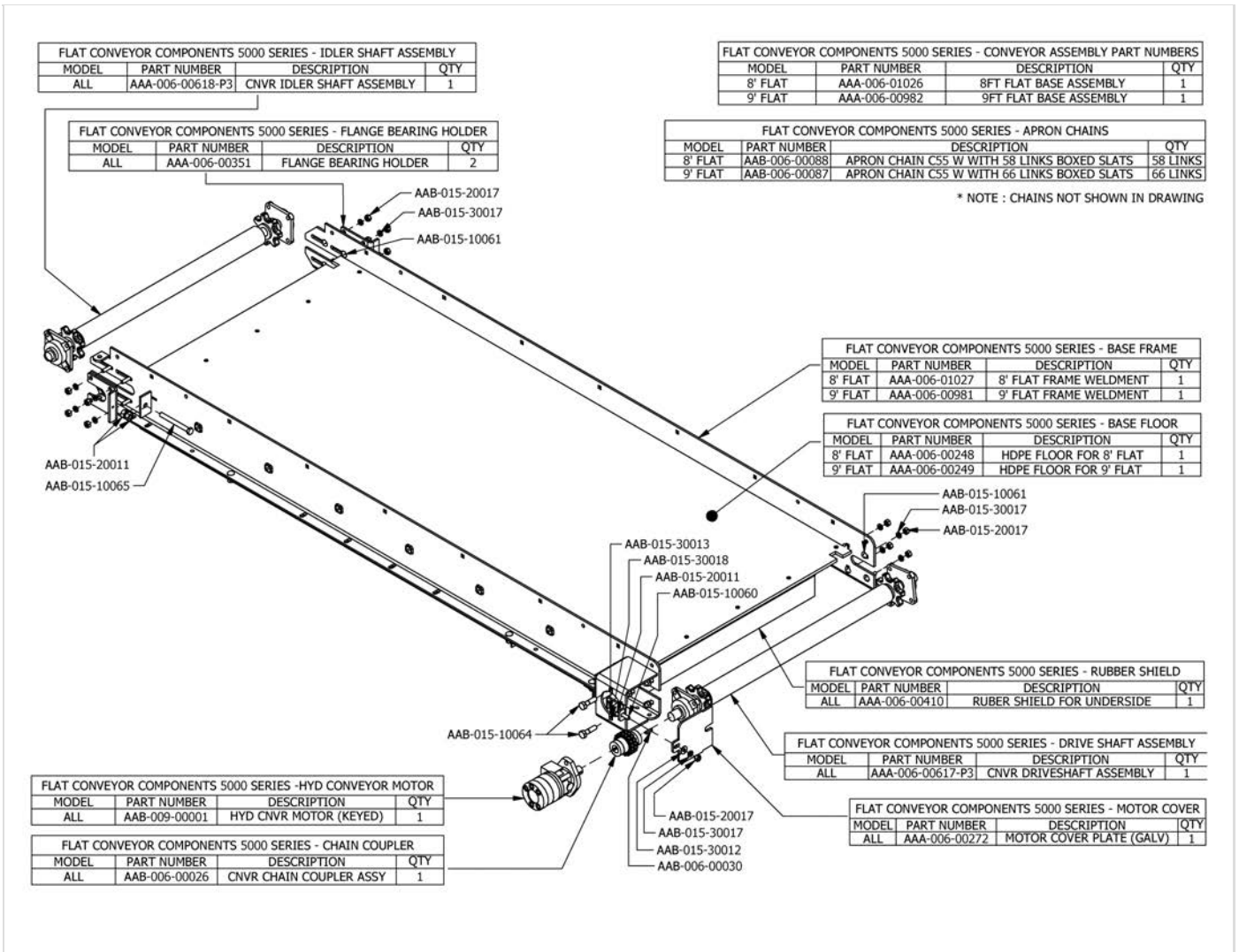
DETAIL A

CONVEYOR BASE ASSEMBLIES 5000 SERIES - APRON CHAINS			
MODEL	PART NUMBER	DESCRIPTION	QTY
6'41"	AAB-006-00087	APRON CHAIN C55 W WITH 66 LINKS BOXED SLATS	66 LINKS
6'48"	AAB-006-00179	APRON CHAIN C55 W WITH 72 LINKS BOXED SLATS	72 LINKS
6'60"	AAB-006-00089	APRON CHAIN C55 W WITH 79 LINKS BOXED SLATS	79 LINKS
6'72"	AAB-006-00090	APRON CHAIN C55 W WITH 86 LINKS BOXED SLATS	86 LINKS

CONVEYOR BASE ASSEMBLIES 5000 SERIES - FLANGE BEARINGS			
MODEL	PART NUMBER	DESCRIPTION	QTY
ALL	AAB-007-00661	FLANGE BEARING 1-1/2 UCF 208-24	1

Pos	SKU	Description	Qty	Remark
1	AAB-015-20011	NUT HEX 1/2 UNC GRD 5	8	
2	AAB-015-30018	WSHR LOCK 1/2	8	
3	AAB-015-10066	BOLT CARRIAGE 1/2 X 1-1/2 UNC GRD 5	8	
4	AAA-006-01111	6FT 41IN BASE ASSY 5000 SERIES	1	
5	AAA-006-01129	6FT 60IN BASE ASSY 5000 SERIES	1	
6	AAA-006-01122	6FT 72IN BASE ASSY 5000 SERIES	1	
7	AAA-006-01116	CNVR WING ASSY 41IN 5000 SERIES	1	
8	AAA-006-01286	CNVR WING ASSY 48IN 5000 SERIES	1	
9	AAA-006-01129	6FT 60IN BASE ASSY 5000 SERIES	1	
10	AAA-006-01123	CNVR WING ASSY 72IN 5000 SERIES	1	
11	AAA-006-01112	6FT FLAT CNVR ASSY 5000 SERIES	1	
12	AAB-006-00087	APRON CHAIN C55 W WITH 66 LINKS BOXED SLATS FOR 6 41 AND 9 2	1	
13	AAB-006-00179	APRON CHAIN C55 W WITH 72 LINKS BOXED SLATS FOR 6 48	1	
14	AAB-006-00089	APRON CHAIN C55 W WITH 79 LINKS BOXED SLATS FOR 6 60	1	
15	AAB-006-00090	APRON CHAIN C55 W WITH 86 LINKS BOXED SLATS FOR 6 72	1	

Pos	SKU	Description	Qty	Remark
16	AAB-007-00661	FLNG BRNG 1-1/2 UCF 208-24	2	
17	AAB-015-10066	BOLT CARRIAGE 1/2 X 1-1/2 UNC GRD 5	8	
18	AAB-015-30018	WSHR LOCK 1/2	8	
19	AAB-015-20011	NUT HEX 1/2 UNC GRD 5	8	



Pos	SKU	Description	Qty	Remark
1	AAA-006-00618-P3	CNVR IDLER SHAFT ASSY	1	
2	AAA-006-00351	CNVR FLNG BRNG HOLDER	2	
3	AAA-006-01026	8FT FLAT BASE ASSY 5000 SERIES	1	
4	AAA-006-00982	CNVR BASE ASSY 9FT 2IN FLAT 5000 SERIES	1	
5	AAB-006-00088	APRON CHAIN C55 W WITH 58 LINKS BOXED SLATS FOR 8FT	1	
6	AAB-006-00087	APRON CHAIN C55 W WITH 66 LINKS BOXED SLATS FOR 6 41 AND 9 2	1	
7	AAA-006-01027	CNVR 8FT FLAT WELDMENT 5000 SERIES	1	
8	AAA-006-00981	CNVR WELDMENT 9FT2IN	1	
9	AAA-006-00248	FLR 8FT CNVR 3/8T HDPE	1	
10	AAA-006-00249	FLR 9FT2 CNVR 3/8T HDPE	1	
11	AAA-006-00410	RUBR FLAP FOR UNDERSIDE OF CNVR	1	
12	AAA-006-00617-P3	CNVR DRIVESHAFT ASSY	1	
13	AAA-006-00272	MOTOR COVER PLT 1/4T	1	
14	AAB-006-00026	COUPLER CNVR DRIVE ASSY WITH 1/4 KEYWAY	1	
15	AAB-009-00001	MOTOR HYD 1 KEYED SHAFT 2 BOLT FLNG SAE 10	1	
16	AAB-006-00030	KEY 1/4 X 1 1/2	1	

Pos	SKU	Description	Qty	Remark
17	AAB-015-30012	WSHR FLAT 3/8 USS	1	
18	AAB-015-30017	WSHR LOCK 3/8	17	
19	AAB-015-20017	NUT HEX 3/8 UNC GRD 2	17	
20	AAB-015-10060	BOLT CARRIAGE 3/8 X 1-1/4 UNC GRD 2	1	
21	AAB-015-20011	NUT HEX 1/2 UNC GRD 5	4	
22	AAB-015-30018	WSHR LOCK 1/2	2	
23	AAB-015-30013	WSHR FLAT 1/2 USS	2	
24	AAB-015-10064	BOLT HEX 1/2 X 2 UNC GRD 5	2	
25	AAB-015-10065	BOLT HEX 1/2 X 5 FULL THREAD GRD 5	1	
26	AAB-015-20011	NUT HEX 1/2 UNC GRD 5	4	
27	AAB-015-10061	BOLT CARRIAGE 3/8 X 1-1/2 UNC GRD 5	17	
28	AAB-015-30017	WSHR LOCK 3/8	17	
29	AAB-015-20017	NUT HEX 3/8 UNC GRD 2	17	

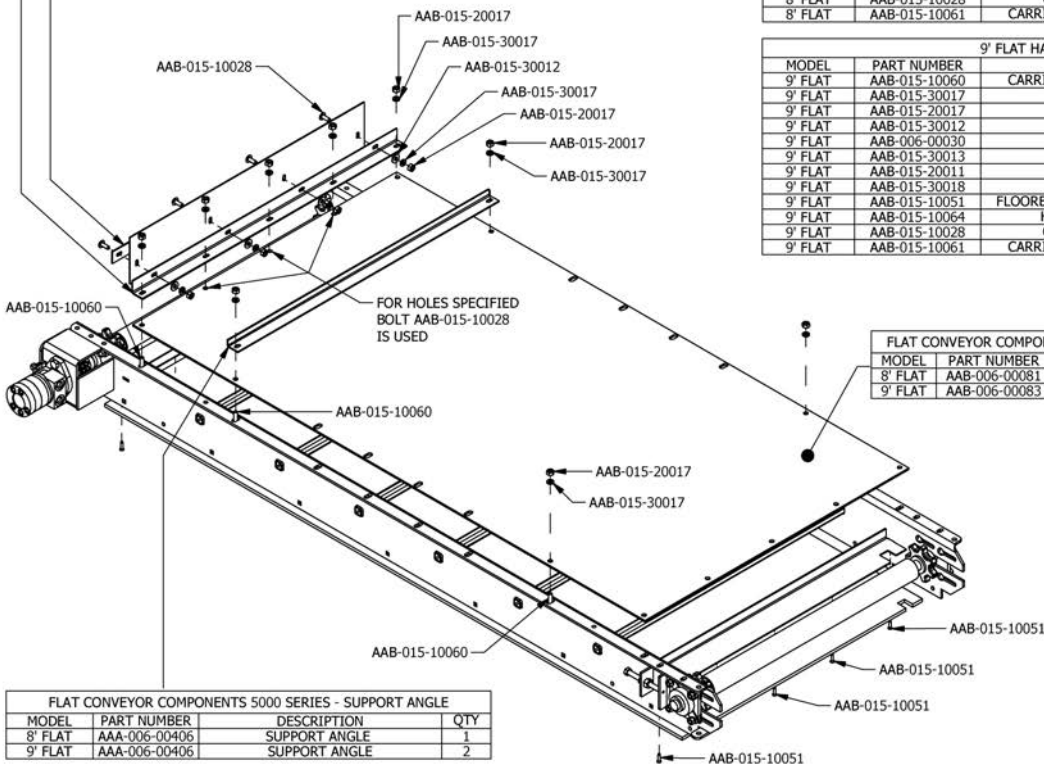
FLAT CONVEYOR COMPONENTS 5000 SERIES - SUPPORT ANGLE AND RUBBER SHIELD MOUNT			
MODEL	PART NUMBER	DESCRIPTION	QTY
ALL	AAA-006-00408	SUPPORT ANGLE AND RUBBER SHIELD MOUNT	1

FLAT CONVEYOR COMPONENTS 5000 SERIES - RETAINER PLATE			
MODEL	PART NUMBER	DESCRIPTION	QTY
ALL	AAA-006-00409	RUBER FLAP RETAINER	1

8' FLAT HARDWARE			
MODEL	PART NUMBER	DESCRIPTION	QTY
8' FLAT	AAB-015-10060	CARRIAGE BOLT 3/8 X 1-1/4 UNC GRD 2	7
8' FLAT	AAB-015-30017	LOCK WASHER 3/8	30
8' FLAT	AAB-015-20017	HEX NUT 3/8 UNC GRD 2	30
8' FLAT	AAB-015-30012	FLAT WASHER 3/8 USS	5
8' FLAT	AAB-006-00030	SHEAR KEY 1/4 X 1	1
8' FLAT	AAB-015-30013	FLAT WASHER 1/2 USS	2
8' FLAT	AAB-015-20011	HEX NUT 1/2 UNC GRD 5	6
8' FLAT	AAB-015-30018	LOCK WASHER 1/2	2
8' FLAT	AAB-015-10051	FLOORBOARD SCREW 1/2" X 1" TORX HEAD	10
8' FLAT	AAB-015-10064	HEX BOLT 1/2 X 2 UNC GRD 5	2
8' FLAT	AAB-015-10028	CARRIAGE BOLT 3/8 X 1 UNC	7
8' FLAT	AAB-015-10061	CARRIAGE BOLT 3/8 X 1-1/2 UNC GRD 5	16

9' FLAT HARDWARE			
MODEL	PART NUMBER	DESCRIPTION	QTY
9' FLAT	AAB-015-10060	CARRIAGE BOLT 3/8 X 1-1/4 UNC GRD 2	9
9' FLAT	AAB-015-30017	LOCK WASHER 3/8	32
9' FLAT	AAB-015-20017	HEX NUT 3/8 UNC GRD 2	32
9' FLAT	AAB-015-30012	FLAT WASHER 3/8 USS	5
9' FLAT	AAB-006-00030	SHEAR KEY 1/4 X 1	1
9' FLAT	AAB-015-30013	FLAT WASHER 1/2 USS	2
9' FLAT	AAB-015-20011	HEX NUT 1/2 UNC GRD 5	6
9' FLAT	AAB-015-30018	LOCK WASHER 1/2	2
9' FLAT	AAB-015-10051	FLOORBOARD SCREW 1/2" X 1" TORX HEAD	10
9' FLAT	AAB-015-10064	HEX BOLT 1/2 X 2 UNC GRD 5	2
9' FLAT	AAB-015-10028	CARRIAGE BOLT 3/8 X 1 UNC	7
9' FLAT	AAB-015-10061	CARRIAGE BOLT 3/8 X 1-1/2 UNC GRD 5	16

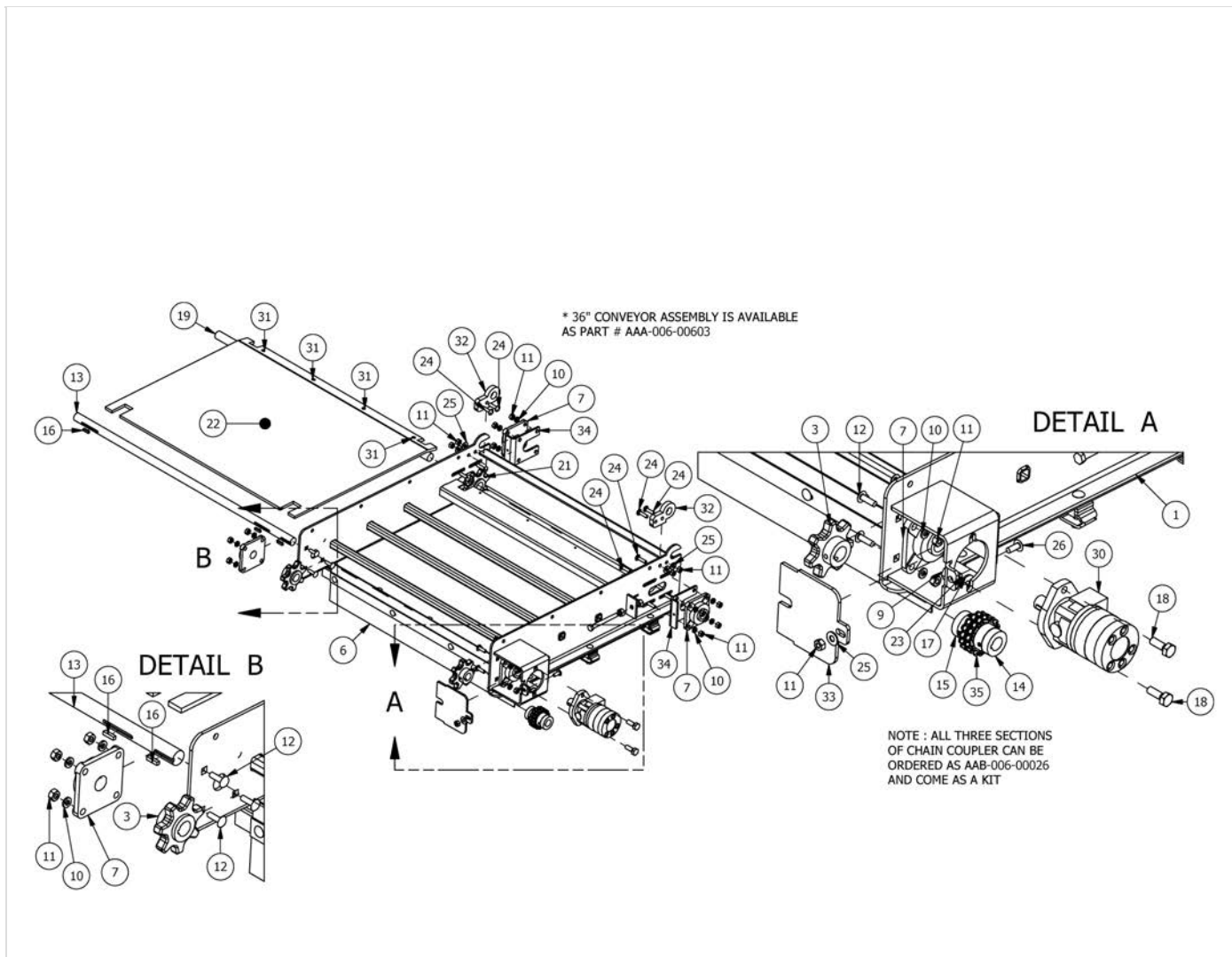
FLAT CONVEYOR COMPONENTS 5000 SERIES - BASE UNDERSHIELD			
MODEL	PART NUMBER	DESCRIPTION	QTY
8' FLAT	AAB-006-00081	HDPE UNDERSHIELD FOR 8' FLAT	1
9' FLAT	AAB-006-00083	HDPE UNDERSHIELD FOR 9' FLAT	1



FLAT CONVEYOR COMPONENTS 5000 SERIES - SUPPORT ANGLE			
MODEL	PART NUMBER	DESCRIPTION	QTY
8' FLAT	AAA-006-00406	SUPPORT ANGLE	1
9' FLAT	AAA-006-00406	SUPPORT ANGLE	2

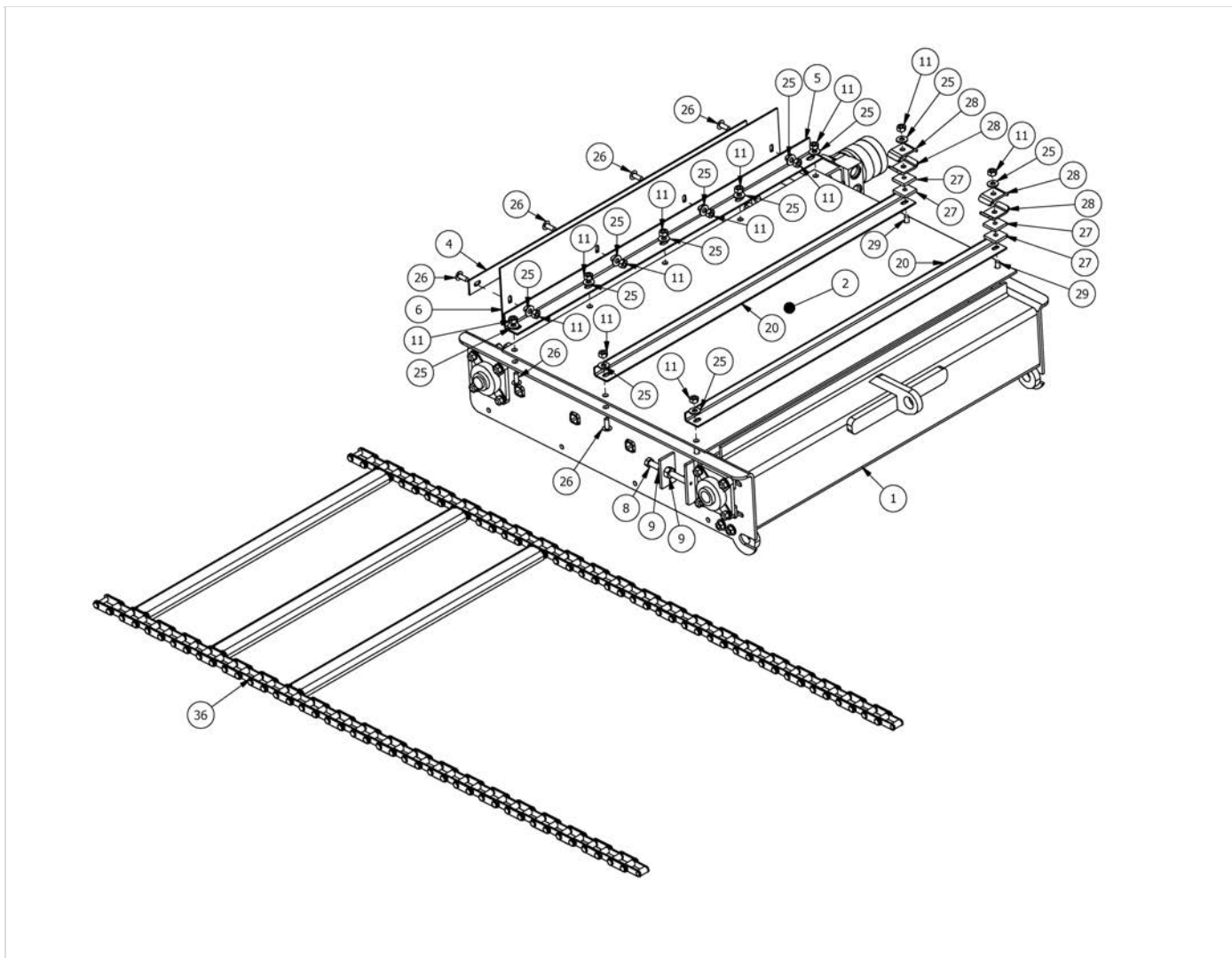
Pos	SKU	Description	Qty	Remark
1	AAA-006-00408	PLASTIC SUPT AND RUBR BRKT 39-1/2 FOR FLAT CNVR	1	
2	AAA-006-00409	RUBR FLAP RETAINER FB	1	
3	AAB-015-10060	BOLT CARRIAGE 3/8 X 1-1/4 UNC GRD 2	7	
4	AAB-015-30017	WSHR LOCK 3/8	30	
5	AAB-015-20017	NUT HEX 3/8 UNC GRD 2	30	
6	AAB-015-30012	WSHR FLAT 3/8 USS	5	
7	AAB-006-00030	KEY 1/4 X 1 1/2	1	
8	AAB-015-30013	WSHR FLAT 1/2 USS	2	
9	AAB-015-20011	NUT HEX 1/2 UNC GRD 5	6	
10	AAB-015-30018	WSHR LOCK 1/2	2	
11	AAB-015-10051	SCREW TORX FLRBOARD 1/4 X 1	10	
12	AAB-015-10064	BOLT HEX 1/2 X 2 UNC GRD 5	2	
13	AAB-015-10028	BOLT CARRIAGE 3/8-16 X 1 GRD 5	7	
14	AAB-015-10061	BOLT CARRIAGE 3/8 X 1-1/2 UNC GRD 5	16	
15	AAB-015-10060	BOLT CARRIAGE 3/8 X 1-1/4 UNC GRD 2	9	
16	AAB-015-30017	WSHR LOCK 3/8	32	

Pos	SKU	Description	Qty	Remark
17	AAB-015-20017	NUT HEX 3/8 UNC GRD 2	32	
18	AAB-015-30012	WSHR FLAT 3/8 USS	5	
19	AAB-006-00030	KEY 1/4 X 1 1/2	1	
20	AAB-015-30013	WSHR FLAT 1/2 USS	2	
21	AAB-015-20011	NUT HEX 1/2 UNC GRD 5	6	
22	AAB-015-30018	WSHR LOCK 1/2	2	
23	AAB-015-10051	SCREW TORX FLRBOARD 1/4 X 1	10	
24	AAB-015-10064	BOLT HEX 1/2 X 2 UNC GRD 5	2	
25	AAB-015-10028	BOLT CARRIAGE 3/8-16 X 1 GRD 5	7	
26	AAB-015-10061	BOLT CARRIAGE 3/8 X 1-1/2 UNC GRD 5	16	
27	AAB-006-00081	CNVR UNDERSHIELD 8FT HDPE BLACK 0.22T	1	
28	AAB-006-00083	CNVR UNDERSHIELD 9FT 2IN HDPE BLACK 0.22T	1	
29	AAA-006-00406	SUPT ANGLE CNVR BOTTOM SHIELD	1	

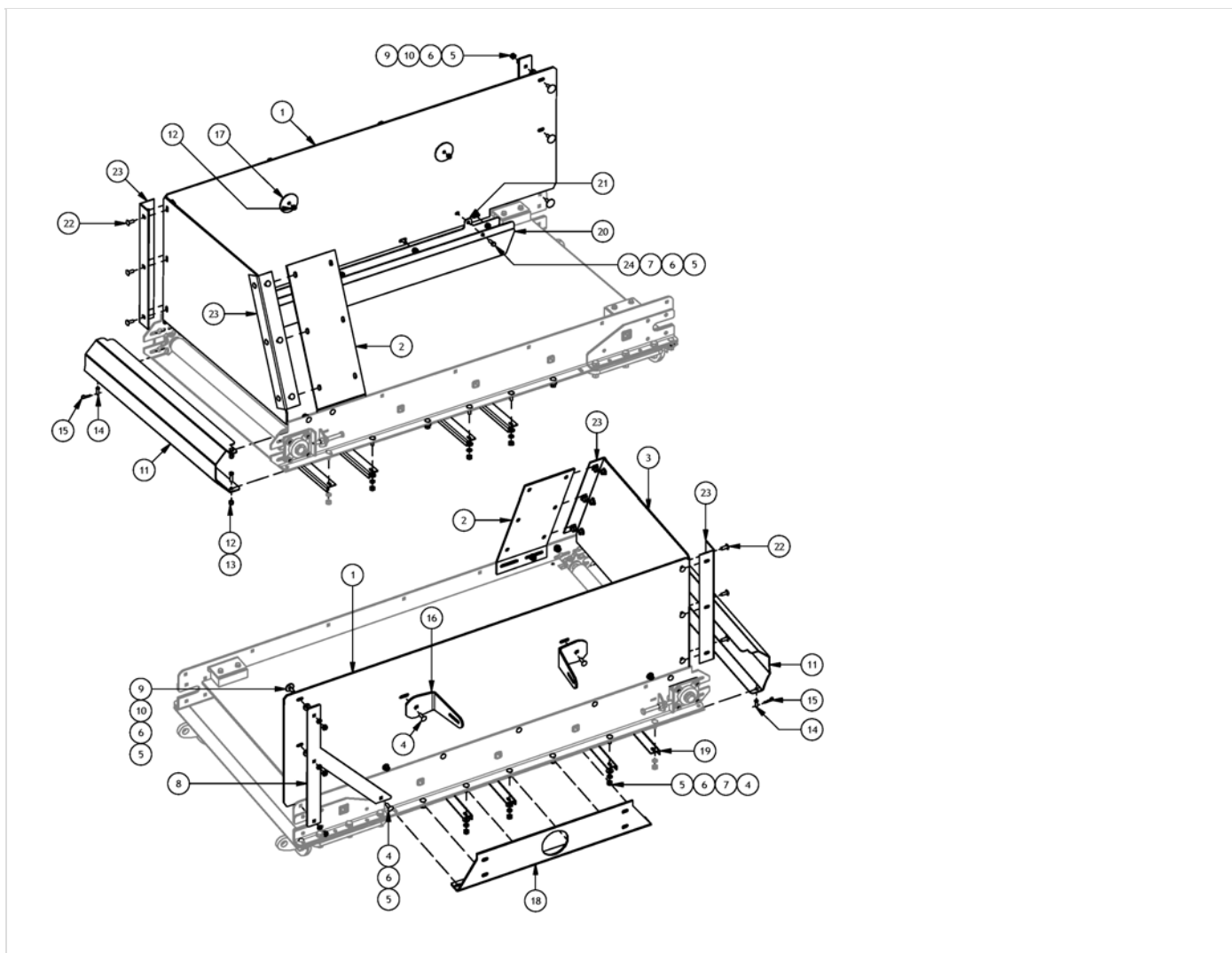


Pos	SKU	Description	Qty	Remark
1	AAA-006-00192	CNVR WING 3FT WELDMENT	1	
3	AAB-006-00013	SPROCKET CAST KEYED FOR DRIVE	2	
7	AAB-006-00009	BRNG 1-1/8 ID FLNG FOR CNVR DRIVE AND IDLER SHAFTS	4	
9	AAB-015-20011	NUT HEX 1/2 UNC GRD 5	6	
10	AAB-015-30017	WSHR LOCK 3/8	16	
11	AAB-015-20017	NUT HEX 3/8 UNC GRD 2	34	
12	AAB-015-10060	BOLT CARRIAGE 3/8 X 1-1/4 UNC GRD 2	8	
13	AAB-006-00012	DRIVE SHAFT 1-1/8DIA X 41L COLD RLD	1	
14	AAB-006-00028	SPROCKET 1 KEYED NUMBER 40 16 TOOTH	1	
15	AAB-006-00029	SPROCKET 1-1/8 KEYED NUMBER 40 16 TOOTH	1	
16	AAB-006-00030	KEY 1/4 X 1 1/2	3	
17	AAB-015-30013	WSHR FLAT 1/2 USS	2	
18	AAB-015-10063	BOLT HEX 1/2 X 1-1/2 UNC GRD 5	2	
19	AAA-006-00354	IDLER SHAFT 1-1/8DIA X 40-1/4L COLD RLD	1	
21	AAB-006-00011	SPROCKET CAST WITH SET SCREW FOR IDLER 0600027	2	
22	AAA-006-00207	FLR 36 CNVR 3/8T POLY	1	

Pos	SKU	Description	Qty	Remark
23	AAB-015-30018	WSHR LOCK 1/2	2	
24	AAB-015-10061	BOLT CARRIAGE 3/8 X 1-1/2 UNC GRD 5	12	
25	AAB-015-30012	WSHR FLAT 3/8 USS	18	
26	AAB-015-10028	BOLT CARRIAGE 3/8-16 X 1 GRD 5	12	
30	AAB-009-00001	MOTOR HYD 1 KEYED SHAFT 2 BOLT FLNG SAE 10	1	
31	AAB-015-10051	SCREW TORX FLRBOARD 1/4 X 1	4	
32	AAA-006-00196	HINGE REINFORCEMENT FOR 36 CNVR WALL 1/2T	2	
33	AAA-006-00272	MOTOR COVER PLT 1/4T	1	
34	AAA-006-00351	CNVR FLNG BRNG HOLDER	2	
35	AAB-006-00027	CONNECTING CHAIN DBL W NUMBER 40	1	
37	AAA-006-00603	3FT CNVR BASE ASSY	1	
38	AAB-006-00026	COUPLER CNVR DRIVE ASSY WITH 1/4 KEYWAY	1	

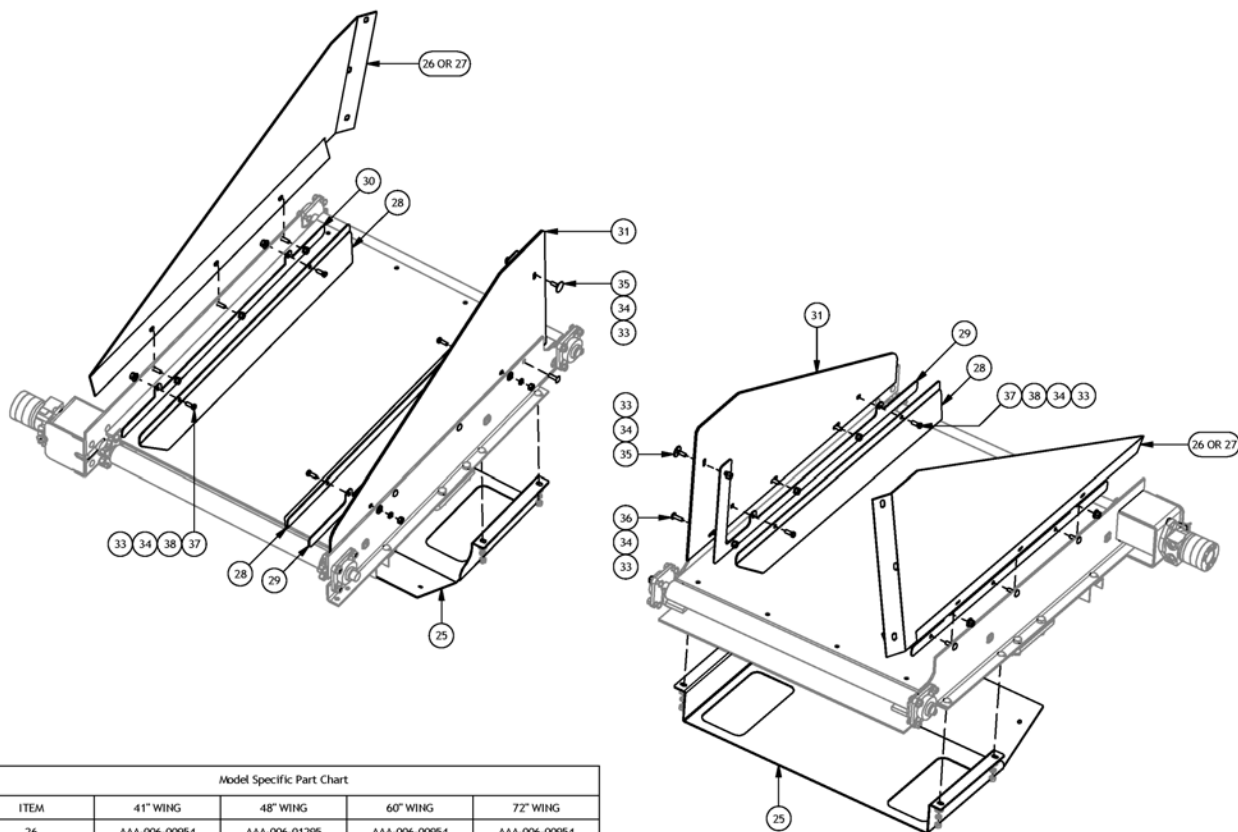


Pos	SKU	Description	Qty	Remark
2	AAA-006-00208	UNDERSHIELD 36 CNVR POLY	1	
4	AAA-006-00409	RUBR FLAP RETAINER FB	1	
5	AAA-006-00407	PLASTIC SUPT AND RUBR BRKT 38-1/2 FOR WING CNVR	1	
6	AAA-006-00410	RUBR FLAP FOR UNDERSIDE OF CNVR	1	
8	AAA-006-00352	TIGHTENER ROD CNVR BRNG 1/2" x 5" (FULL THREAD)	2	
9	AAB-015-20011	NUT HEX 1/2 UNC GRD 5	6	
11	AAB-015-20017	NUT HEX 3/8 UNC GRD 2	34	
20	AAA-006-00406	SUPT ANGLE CNVR BOTTOM SHIELD	2	
25	AAB-015-30012	WSHR FLAT 3/8 USS	18	
26	AAB-015-10028	BOLT CARRIAGE 3/8-16 X 1 GRD 5	12	
27	AAA-006-00135	SPCR PLASTIC 1/4T	4	
28	AAA-002-00343	CLIP HYD HOSE ZINC	4	
29	AAB-015-10081	BOLT CARRIAGE 3/8 X 2 UNC GRD 5	2	
36	AAA-006-00604	APRON CHAIN C55 3FT WING (20 LINKS)	1	
1	AAA-006-00192	CNVR WING 3FT WELDMENT	1	



Pos	SKU	Description	Qty	Remark
1	AAB-006-00071	CNVR SHIELD 6FT FRT HDPE BLACK 0.22T	1	
2	AAB-006-00073	CNVR SHIELD 6FT DRUM SIDE HDPE BLACK 0.22T	1	
3	AAB-006-00072	CNVR SHIELD 6FT END HDPE BLACK 0.22T	1	
4	AAB-015-10060	BOLT CARRIAGE 3/8 X 1-1/4 UNC GRD 2	11	
5	AAB-015-20017	NUT HEX 3/8 UNC GRD 2	25	
6	AAB-015-30017	WSHR LOCK 3/8	25	
7	AAB-015-30012	WSHR FLAT 3/8 USS	21	
8	AAA-006-00953	CNVR SHIELD STIFFENER 5000 SERIES	1	
9	AAB-015-10141	ELEVATOR BOLT 3/8 X 1-1/4 UNC	3	
10	AAB-015-30032	WASHER BLACK NYLON 3/8ID X 1OD X 1/4T	2	
11	AAA-006-00943	CNVR BOOT 5000 SERIES	1	
12	AAB-015-20012	NUT HEX 3/8 LOCK NYLON GRD 2	6	
13	AAB-015-10111	BOLT HEX 3/8 X 1-1/4 UNC GRD 5	2	
14	AAB-015-40007	PIN 3/8DIA X 7/8L	1	
15	AAB-015-40005	HTCH PIN CLIP 1/16DIA X 1-5/8L	1	
16	AAA-006-00922	BRKT CNVR SHLD SUPT MBR 1/4T (PAINTED)	2	

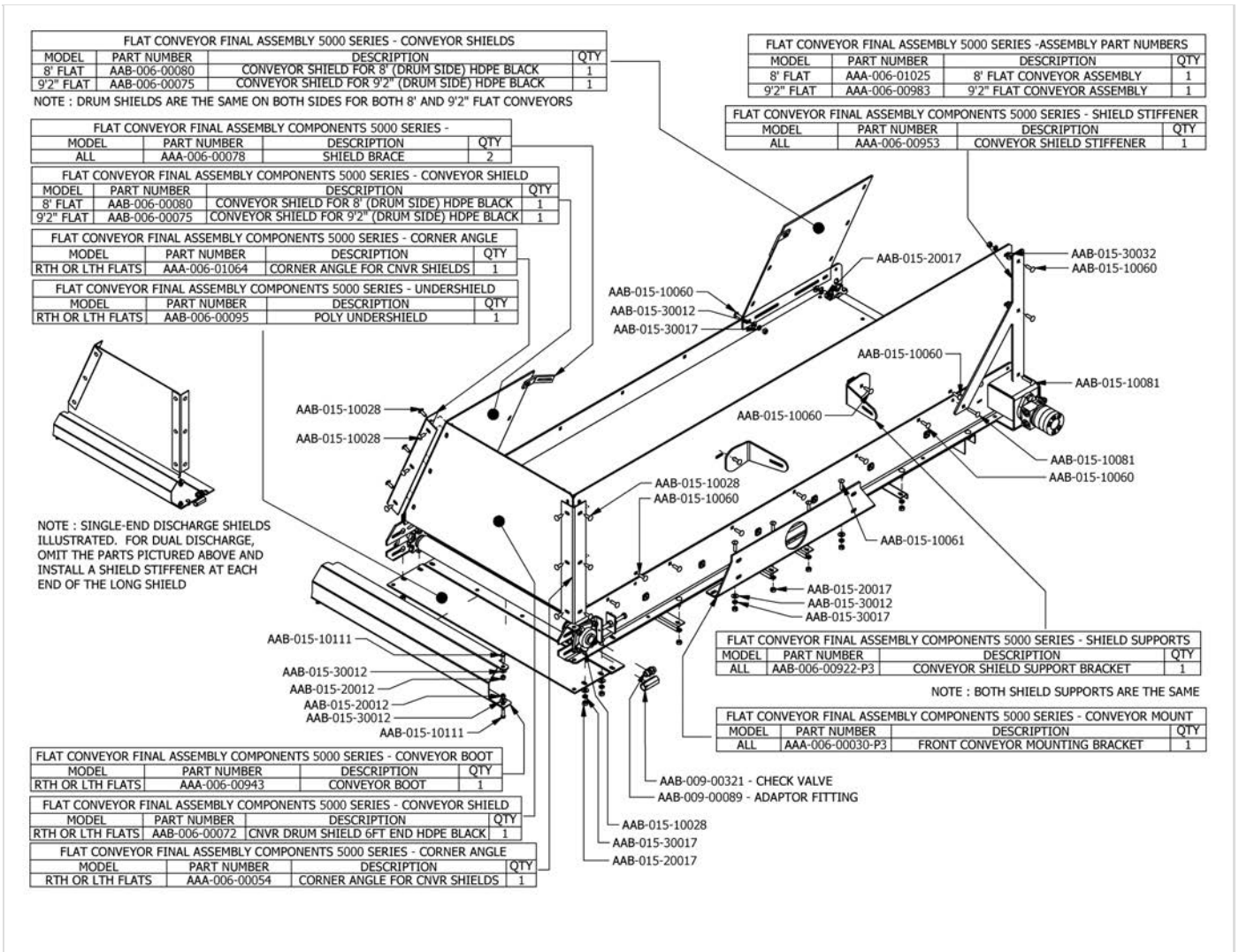
Pos	SKU	Description	Qty	Remark
17	AAB-015-30042	WSHR FLAT 2.375 OD X 0.4375 ID BLACK OXIDE COATING	1	
18	AAA-006-00030	SUPT FOR FRT CNVR MNT	1	
19	AAA-006-00406	SUPT ANGLE CNVR BOTTOM SHIELD	2	
20	AAA-006-01044	CNVR 6FT FLAT AND 5FT WING CHAIN COVER	1	
21	AAA-006-00945	CNVR 6FT FLAT CHAIN COVER BRKT 1/8T	1	
22	AAB-015-10028	BOLT CARRIAGE 3/8-16 X 1 GRD 5	12	
23	AAA-006-01064	CORNER ANGLE FOR CNVR SHIELDS 5000 SERIES	2	
24	AAB-015-10056	BOLT HEX 3/8 X 1 UNC GRD 2	2	



Model Specific Part Chart				
ITEM	41" WING	48" WING	60" WING	72" WING
26	AAA-006-00954	AAA-006-01295	AAA-006-00954	AAA-006-00954
27	AAA-006-01033	AAA-006-01297	AAA-006-01033	AAA-006-01033
28	AAA-006-01045	AAA-006-01669	AAA-006-01044	AAA-006-01048
29	AAA-006-00955	AAA-006-01670	AAA-006-01007	AAA-006-00999
30	AAA-006-00956	AAA-006-01671	AAA-006-01008	AAA-006-01000
31	AAB-006-00074	AAB-006-00180	AAB-006-00078	AAB-006-00077

Pos	SKU	Description	Qty	Remark
25	AAA-006-01149-P3	CNVR WING SKID PLT 2 CYL 5000 SERIES 1/8T	1	
26	AAA-006-00954	CNVR RUBR WING SHIELD FOR LTH DISCHARGE 5000 SERIES	1	WING: 41", 60", 72"
26	AAA-006-01295	48IN CNVR RUBR WING SHIELD FOR LTH DISCHARGE 5000 SERIES	1	WING: 48"
27	AAA-006-01033	CNVR RUBR WING SHIELD FOR RTH DISCHARGE 5000 SERIES	1	WING: 41", 60", 72"
27	AAA-006-01297	48IN CNVR RUBR WING SHIELD FOR RTH DISCHARGE 5000 SERIES	1	WING: 48"
28	AAA-006-01044	CNVR 6FT FLAT AND 5FT WING CHAIN COVER	2	WING: 60"
28	AAA-006-01045	CNVR 41IN WING CHAIN COVER	2	WING: 41"
28	AAA-006-01048	CNVR 72IN WING CHAIN COVER	2	WING: 72"
28	AAA-006-01669	CNVR 48IN WING CHAIN COVER GALV	2	WING: 48"
29	AAA-006-00955	CNVR 41IN WING CHAIN COVER BRKT AND SHIELD SUPT	1	WING: 41"
29	AAA-006-00999	CNVR 72IN WING CHAIN COVER BRKT AND SHIELD SUPT	1	WING: 72"
29	AAA-006-01007	CNVR 60IN WING CHAIN COVER BRKT AND SHIELD SUPT	1	WING: 60"

Pos	SKU	Description	Qty	Remark
29	AAA-006-01670	CNVR 48IN WING CHAIN COVER BRKT AND SHIELD SUPT ZINC	1	WING: 48"
30	AAA-006-00956	CNVR CHAIN GUARD MNT BRKT 41IN WING	1	WING: 41"
30	AAA-006-01000	CNVR CHAIN GUARD 72IN WING BRKT	1	WING: 72"
30	AAA-006-01008	CNVR 60IN WING CHAIN COVER BRKT	1	WING: 60"
30	AAA-006-01671	CNVR CHAIN GUARD 48IN WING BRKT ZINC	1	WING: 48"
31	AAB-006-00074	CNVR SHIELD 41IN WING HDPE BLACK 0.22T	1	WING: 41"
31	AAB-006-00077	CNVR SHIELD 72IN WING HDPE BLACK 0.22T	1	WING: 72"
31	AAB-006-00078	CNVR SHIELD 60IN WING HDPE BLACK 0.22T	1	WING: 60"
31	AAB-006-00180	CNVR SHIELD 48IN WING HDPE BLACK 0.22T	1	WING: 48"
32	AAB-015-10061	BOLT CARRIAGE 3/8 X 1-1/2 UNC GRD 5	4	
33	AAB-015-20017	NUT HEX 3/8 UNC GRD 2	10	
34	AAB-015-30017	WSHR LOCK 3/8	10	
35	AAB-015-10141	ELEVATOR BOLT 3/8 X 1-1/4 UNC	1	
36	AAB-015-10060	BOLT CARRIAGE 3/8 X 1-1/4 UNC GRD 2	6	
37	AAB-015-10056	BOLT HEX 3/8 X 1 UNC GRD 2	4	
38	AAB-015-30012	WSHR FLAT 3/8 USS	4	



Pos	SKU	Description	Qty	Remark
1	AAB-006-00075	CNVR SHIELD 9FT 2IN DRUM SIDE HDPE BLACK 0.22T	1	9FT2IN
1	AAB-006-00080	CNVR SHIELD 8FT DRUM SIDE HDPE BLACK 0.22T	1	8FT
2	AAA-006-00078	SHIELD SUPT	2	
3	AAB-006-00075	CNVR SHIELD 9FT 2IN DRUM SIDE HDPE BLACK 0.22T	1	9FT2IN
3	AAB-006-00080	CNVR SHIELD 8FT DRUM SIDE HDPE BLACK 0.22T	1	8FT
4	AAA-006-01064	CORNER ANGLE FOR CNVR SHIELDS 5000 SERIES	1	
5	AAB-006-00095	POLY UNDERSHIELD EXT. 5000 SERIES	1	
6	AAA-006-00943	CNVR BOOT 5000 SERIES	1	
7	AAB-006-00072	CNVR SHIELD 6FT END HDPE BLACK 0.22T	1	
8	AAA-006-00054	ANGLE CORNER SUPT FOR CNVR 1/8T	1	
9	AAA-006-00983	9FT 2IN FLAT ASSY 5000 SERIES	1	9FT2IN
9	AAA-006-01025	8FT FLAT ASSY 5000 SERIES	1	8FT
10	AAA-006-00953	CNVR SHIELD STIFFENER 5000 SERIES	1	
12	AAA-006-00030-P3	SUPT FOR FRT CNVR MNT (BLACK)	1	
13	AAB-009-00321	VALVE CHECK 10 FORB X 10 FORB	1	
14	AAB-009-00089	FIT ADPT 10 ADJUST MORB X 10 MORB	1	

Pos	SKU	Description	Qty	Remark
15	AAB-015-10028	BOLT CARRIAGE 3/8-16 X 1 GRD 5	1	
16	AAB-015-10111	BOLT HEX 3/8 X 1-1/4 UNC GRD 5	1	
17	AAB-015-20012	NUT HEX 3/8 LOCK NYLON GRD 2	1	
18	AAB-015-30012	WSHR FLAT 3/8 USS	1	
19	AAB-015-20017	NUT HEX 3/8 UNC GRD 2	1	
20	AAB-015-30017	WSHR LOCK 3/8	1	
21	AAB-015-10060	BOLT CARRIAGE 3/8 X 1-1/4 UNC GRD 2	1	
22	AAB-015-10061	BOLT CARRIAGE 3/8 X 1-1/2 UNC GRD 5	1	
23	AAB-015-10081	BOLT CARRIAGE 3/8 X 2 UNC GRD 5	1	
24	AAB-015-30032	WASHER BLACK NYLON 3/8ID X 1OD X 1/4T	1	
25	AAA-006-02055	CNVR BOOT KIT FOR 5000 SERIES FLAT CNVR (PARTS ORDER)	1	

FLAT CONVEYOR FINAL ASSEMBLY COMPONENTS 5000 SERIES - CONVEYOR SHIELD			
MODEL	PART NUMBER	DESCRIPTION	QTY
8' FLAT	AAB-006-00079	CNVR SHIELD 8FT FRT HDPE BLACK	1
9'2" FLAT	AAB-006-00076	CNVR SHIELD 9FT 2IN FRT HDPE BLACK	1

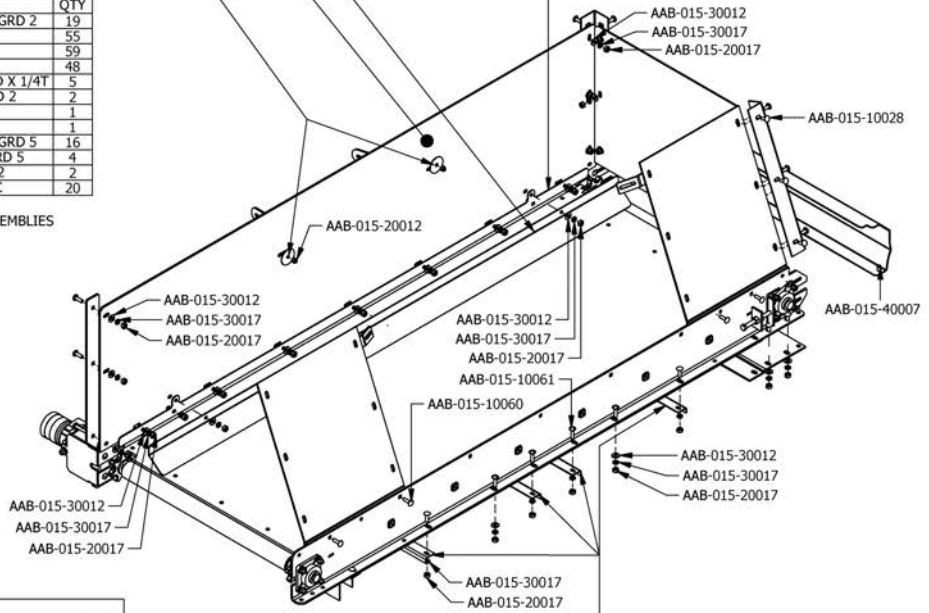
FLAT CONVEYOR FINAL ASSEMBLY COMPONENTS 5000 SERIES - SHIELD WASHER			
MODEL	PART NUMBER	DESCRIPTION	QTY
ALL	AAB-015-30042	CONVEYOR SHIELD WASHER	2

8' FLAT ASSEMBLY HARDWARE			
MODEL	PART NUMBER	DESCRIPTION	QTY
8' FLAT	AAB-015-10060	CARRIAGE BOLT 3/8 X 1-1/4 UNC GRD 2	19
8' FLAT	AAB-015-30017	LOCK WASHER 3/8	55
8' FLAT	AAB-015-20017	HEX NUT 3/8 UNC GRD 2	59
8' FLAT	AAB-015-30012	FLAT WASHER 3/8 USS	48
8' FLAT	AAB-015-30032	WASHER BLACK NYLON 3/8ID X 1OD X 1/4T	5
8' FLAT	AAB-015-20012	HEX NUT 3/8 LOCK NYLON GRD 2	2
8' FLAT	AAB-015-40007	PIN 3/8 X 7/8 PLT	1
8' FLAT	AAB-015-40005	PIN CLIP 1/16 X 1-5/8	1
8' FLAT	AAB-015-10061	CARRIAGE BOLT 3/8 X 1-1/2 UNC GRD 5	16
8' FLAT	AAB-015-10081	CARRIAGE BOLT 3/8 X 2 UNC GRD 5	4
8' FLAT	AAB-015-10056	HEX BOLT 3/8 X 1 UNC GRD 2	2
8' FLAT	AAB-015-10028	CARRIAGE BOLT 3/8 X 1 UNC	20

NOTE : SOME HARDWARE USED ON 9'2" FLAT CONVEYOR ASSEMBLIES MAY NOT MATCH WHAT IS SHOWN IN DRAWING

FLAT CONVEYOR FINAL ASSEMBLY COMPONENTS 5000 SERIES - CHAIN COVER / GUARD			
MODEL	PART NUMBER	DESCRIPTION	QTY
8' FLAT	AAA-006-01047	CONVEYOR 8FT FLAT CHAIN COVER	1
9'2" FLAT	AAA-006-01049	CONVEYOR 9FT 2IN FLAT CHAIN COVER	1

FLAT CONVEYOR FINAL ASSEMBLY COMPONENTS 5000 SERIES - CHAIN COVER			
MODEL	PART NUMBER	DESCRIPTION	QTY
8' FLAT	AAA-006-01030	CONVEYOR 8FT FLAT CHAIN COVER BRACKET	1
9'2" FLAT	AAA-006-00980	CONVEYOR 9FT 2IN FLAT CHAIN COVER BRACKET	1

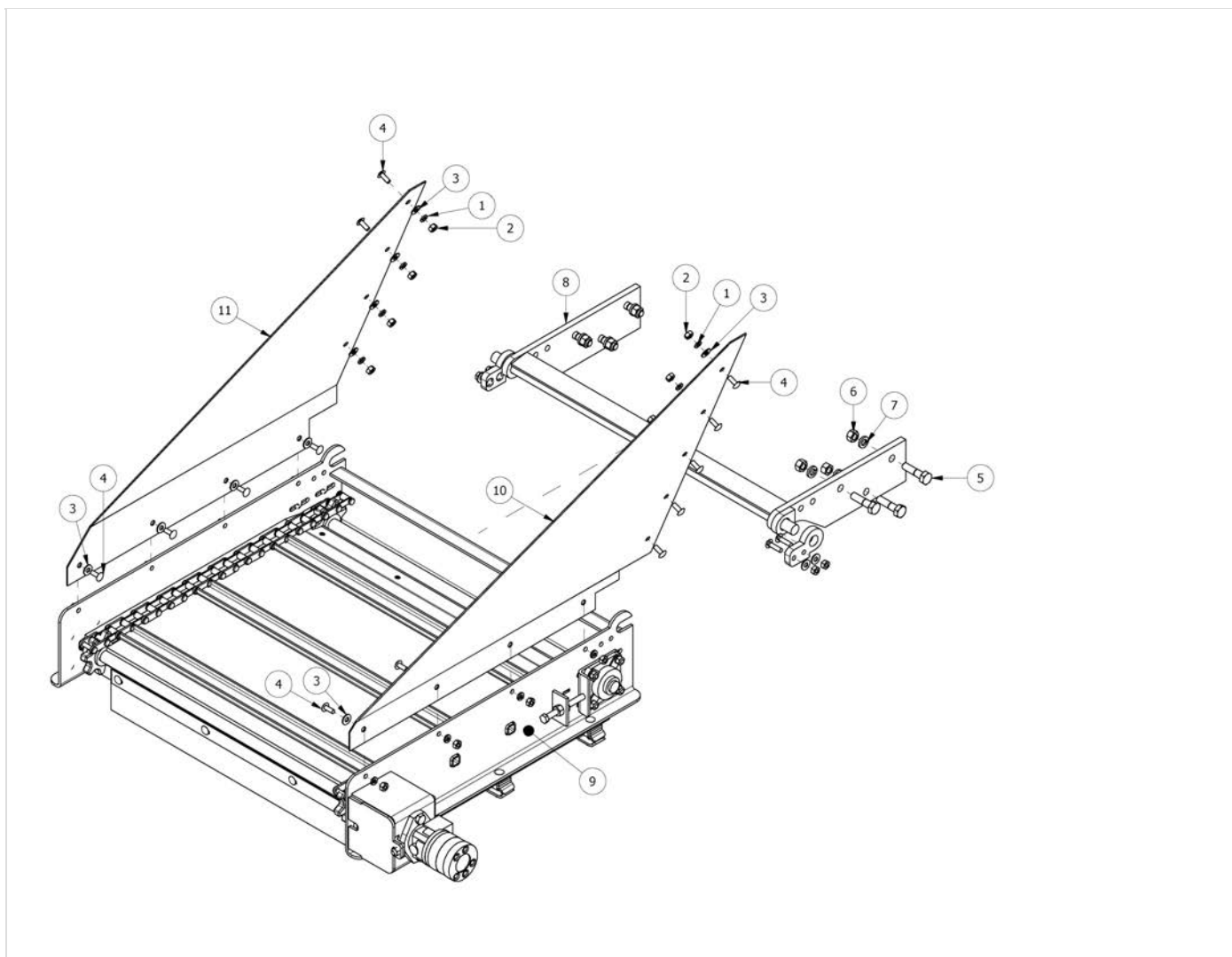


9'2" FLAT ASSEMBLY HARDWARE			
MODEL	PART NUMBER	DESCRIPTION	QTY
9'2" FLAT	AAB-015-10060	CARRIAGE BOLT 3/8 X 1-1/4 UNC GRD 2	20
9'2" FLAT	AAB-015-30017	LOCK WASHER 3/8	42
9'2" FLAT	AAB-015-20017	HEX NUT 3/8 UNC GRD 2	46
9'2" FLAT	AAB-015-30012	FLAT WASHER 3/8 USS	40
9'2" FLAT	AAB-015-30032	WASHER BLACK NYLON 3/8ID X 1OD X 1/4T	4
9'2" FLAT	AAB-015-20012	HEX NUT 3/8 LOCK NYLON GRD 2	4
9'2" FLAT	AAB-015-40007	PIN 3/8 X 7/8 PLT	1
9'2" FLAT	AAB-015-40005	PIN CLIP 1/16 X 1-5/8	1
9'2" FLAT	AAB-015-10061	CARRIAGE BOLT 3/8 X 1-1/2 UNC GRD 5	11
9'2" FLAT	AAB-015-10111	HEX BOLT 3/8 X 1-1/4 UNC GRD 5	2
9'2" FLAT	AAB-015-10028	BOLT CARRIAGE 3/8 X 1 UNC	17

FLAT CONVEYOR FINAL ASSEMBLY COMPONENTS 5000 SERIES - SUPPORT ANGLE			
MODEL	PART NUMBER	DESCRIPTION	QTY
ALL	AAA-006-00406	SUPPORT ANGLE FOR CNVR UNDERSIDE	4

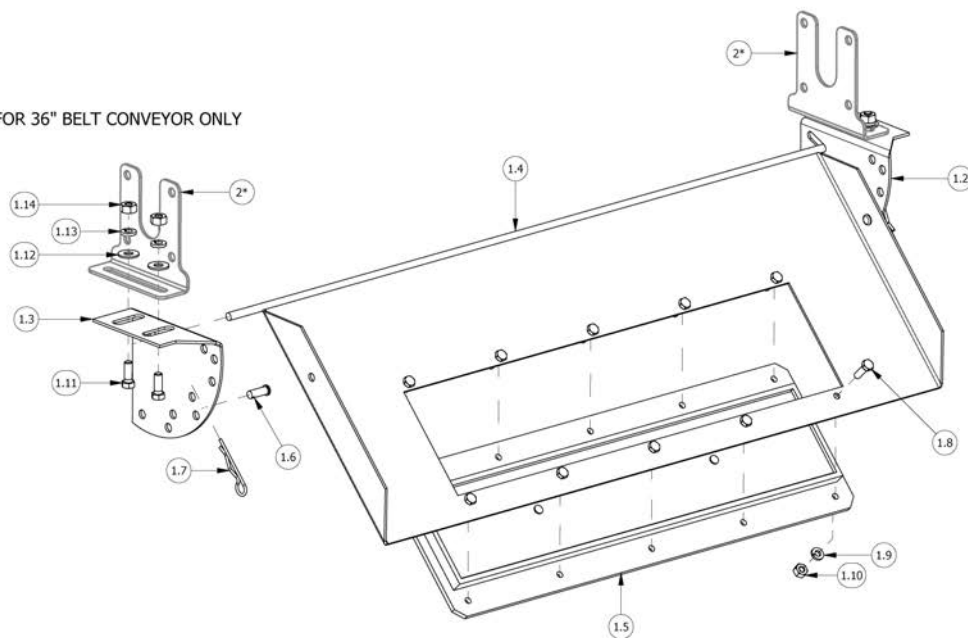
Pos	SKU	Description	Qty	Remark
1	AAB-006-00076	CNVR SHIELD 9FT 2IN FRT HDPE BLACK 0.22T	1	
1	AAB-006-00079	CNVR SHIELD 8FT FRT HDPE BLACK 0.22T	1	
2	AAB-015-30042	WSHR FLAT 2.375 OD X 0.4375 ID BLACK OXIDE COATING	2	
3	AAB-015-10060	BOLT CARRIAGE 3/8 X 1-1/4 UNC GRD 2	19	
4	AAB-015-30017	WSHR LOCK 3/8	55	
5	AAB-015-20017	NUT HEX 3/8 UNC GRD 2	59	
6	AAB-015-30012	WSHR FLAT 3/8 USS	48	
7	AAB-015-30032	WASHER BLACK NYLON 3/8ID X 1OD X 1/4T	5	
8	AAB-015-20012	NUT HEX 3/8 LOCK NYLON GRD 2	2	
9	AAB-015-40007	PIN 3/8DIA X 7/8L	1	
10	AAB-015-40005	HTCH PIN CLIP 1/16DIA X 1-5/8L	1	
11	AAB-015-10061	BOLT CARRIAGE 3/8 X 1-1/2 UNC GRD 5	16	
12	AAB-015-10081	BOLT CARRIAGE 3/8 X 2 UNC GRD 5	4	
13	AAB-015-10056	BOLT HEX 3/8 X 1 UNC GRD 2	2	
14	AAB-015-10028	BOLT CARRIAGE 3/8-16 X 1 GRD 5	20	
15	AAA-006-01047	CNVR 8FT FLAT CHAIN COVER	1	

Pos	SKU	Description	Qty	Remark
15	AAA-006-01049	CNVR 9FT 2IN FLAT CHAIN COVER	1	
16	AAA-006-00980	CNVR 9FT2IN CHAIN COVER BRKT	1	
16	AAA-006-01030	CNVR 8FT FLAT CHAIN COVER BRKT	1	
17	AAA-006-00406	SUPT ANGLE CNVR BOTTOM SHIELD	4	
18	AAB-015-10060	BOLT CARRIAGE 3/8 X 1-1/4 UNC GRD 2	20	
19	AAB-015-30017	WSHR LOCK 3/8	42	
20	AAB-015-20017	NUT HEX 3/8 UNC GRD 2	46	
21	AAB-015-30012	WSHR FLAT 3/8 USS	40	
22	AAB-015-30032	WASHER BLACK NYLON 3/8ID X 1OD X 1/4T	4	
23	AAB-015-20012	NUT HEX 3/8 LOCK NYLON GRD 2	4	
24	AAB-015-40007	PIN 3/8DIA X 7/8L	1	
25	AAB-015-40005	HTCH PIN CLIP 1/16DIA X 1-5/8L	1	
26	AAB-015-10061	BOLT CARRIAGE 3/8 X 1-1/2 UNC GRD 5	11	
27	AAB-015-10111	BOLT HEX 3/8 X 1-1/4 UNC GRD 5	2	
28	AAB-015-10028	BOLT CARRIAGE 3/8-16 X 1 GRD 5	17	



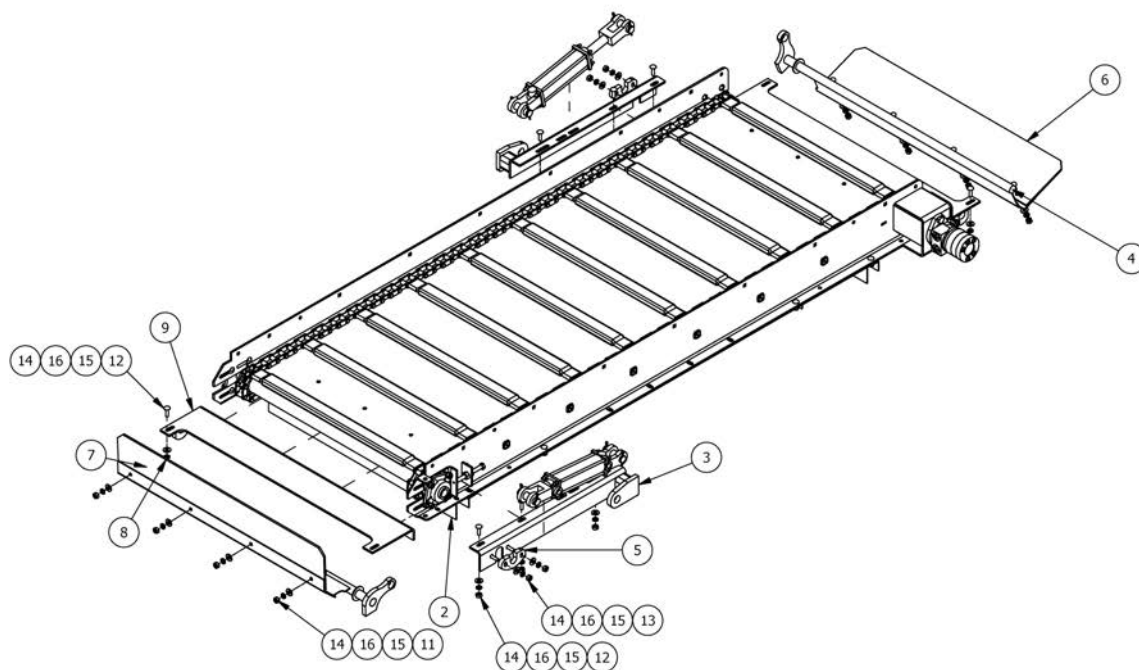
Pos	SKU	Description	Qty	Remark
1	AAB-015-30017	WSHR LOCK 3/8	17	
2	AAB-015-20017	NUT HEX 3/8 UNC GRD 2	17	
3	AAB-015-30012	WSHR FLAT 3/8 USS	17	
4	AAB-015-10028	BOLT CARRIAGE 3/8-16 X 1 GRD 5	17	
5	AAB-005-00005	BOLT HEX 5/8 X 2-1/2 UNC GRD 8 (USE AAB-015-10250)	6	
6	AAB-015-20013	NUT HEX 5/8 UNC GRD 5	6	
7	AAB-015-30019	WSHR LOCK 5/8	6	
8	AAA-006-00328	PIVOT PIN WELDMENT 3FT WING	1	
9	AAA-006-00603	3FT CNVR BASE ASSY	1	
10	AAA-006-00190	RUBBER SHIELD FOR 3FT CNVR WING MOTOR SIDE	1	
11	AAA-006-00187	RUBBER SHIELD FOR 3FT CNVR WING OPPOSITE MOTOR SIDE	1	

*ITEM 2 REQUIRED FOR 36" BELT CONVEYOR ONLY



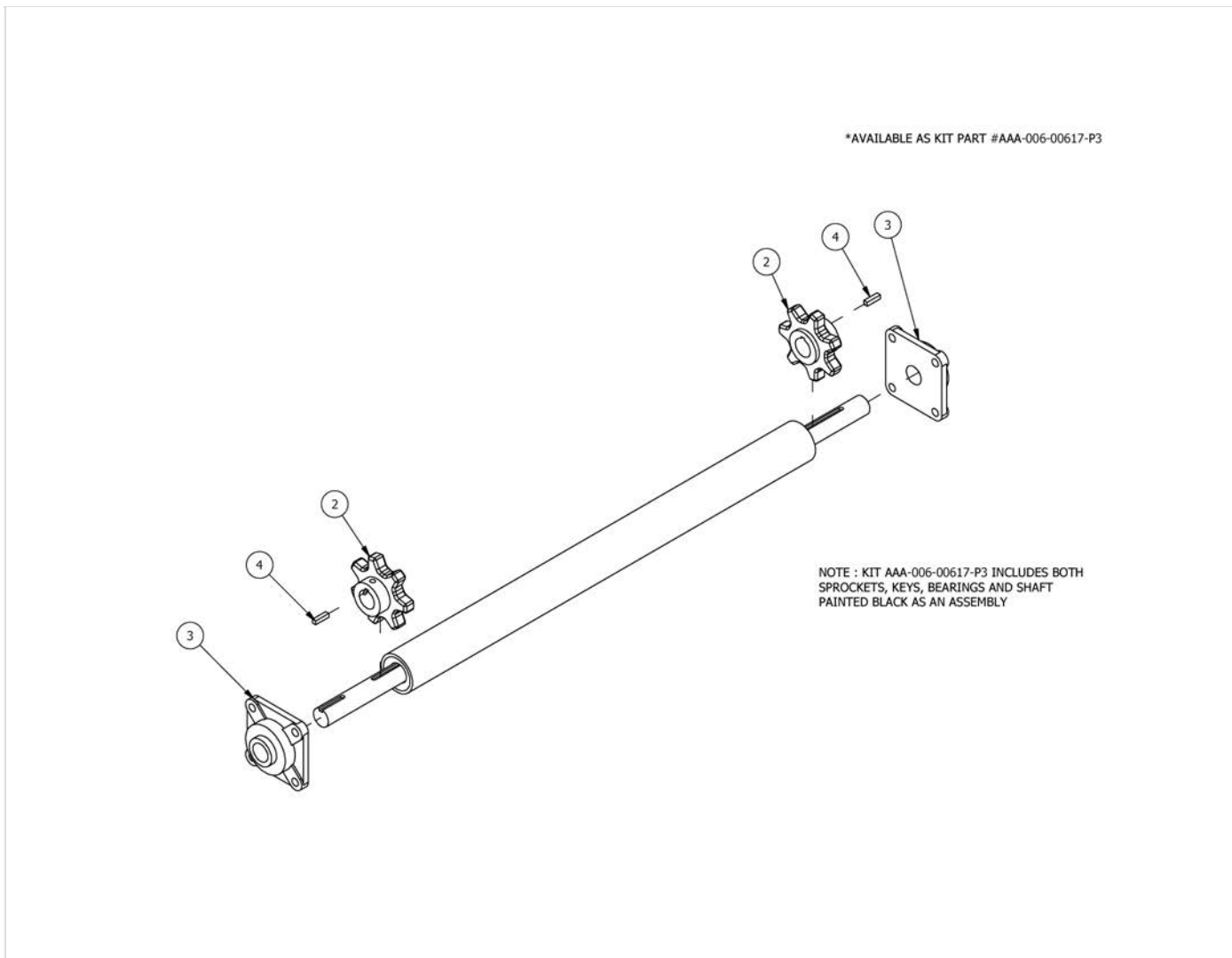
Pos	SKU	Description	Qty	Remark
1	AAA-006-00795	MAGNET CHUTE KIT (INCL BRACKETS AND HARDWARE)	1	
1.2	AAA-006-00224	MNT MAGNET CHUTE LTH	1	
1.3	AAA-006-00225	MNT MAGNET CHUTE RTH	1	
1.4	AAA-006-00015	MAGNET CHUTE WELDMENT	1	
1.5	AAB-006-00035	MAGNET PLATE 25 X 8 X 1	1	
1.6	AAB-015-40007	PIN 3/8DIA X 7/8L	2	
1.7	AAB-001-00019	PIN HTCH CLIP 1/8 X 2-9/16	2	
1.8	AAB-015-10036	BOLT HEX 5/16 X 1 UNC GRD 5	10	
1.9	AAB-015-30016	WSHR LOCK 5/16	10	
1.10	AAB-015-20020	NUT HEX 5/16 UNC GRD 2	10	
1.11	AAB-015-10056	BOLT HEX 3/8 X 1 UNC GRD 2	4	
1.12	AAB-015-30012	WSHR FLAT 3/8 USS	4	
1.13	AAB-015-30017	WSHR LOCK 3/8	4	
1.14	AAB-015-20017	NUT HEX 3/8 UNC GRD 2	4	
2	AAA-006-01795-P3	MAGNET CHUTE MNT BRKT PAINTED	2	

*Available as a kit, part #AAA-006-01058

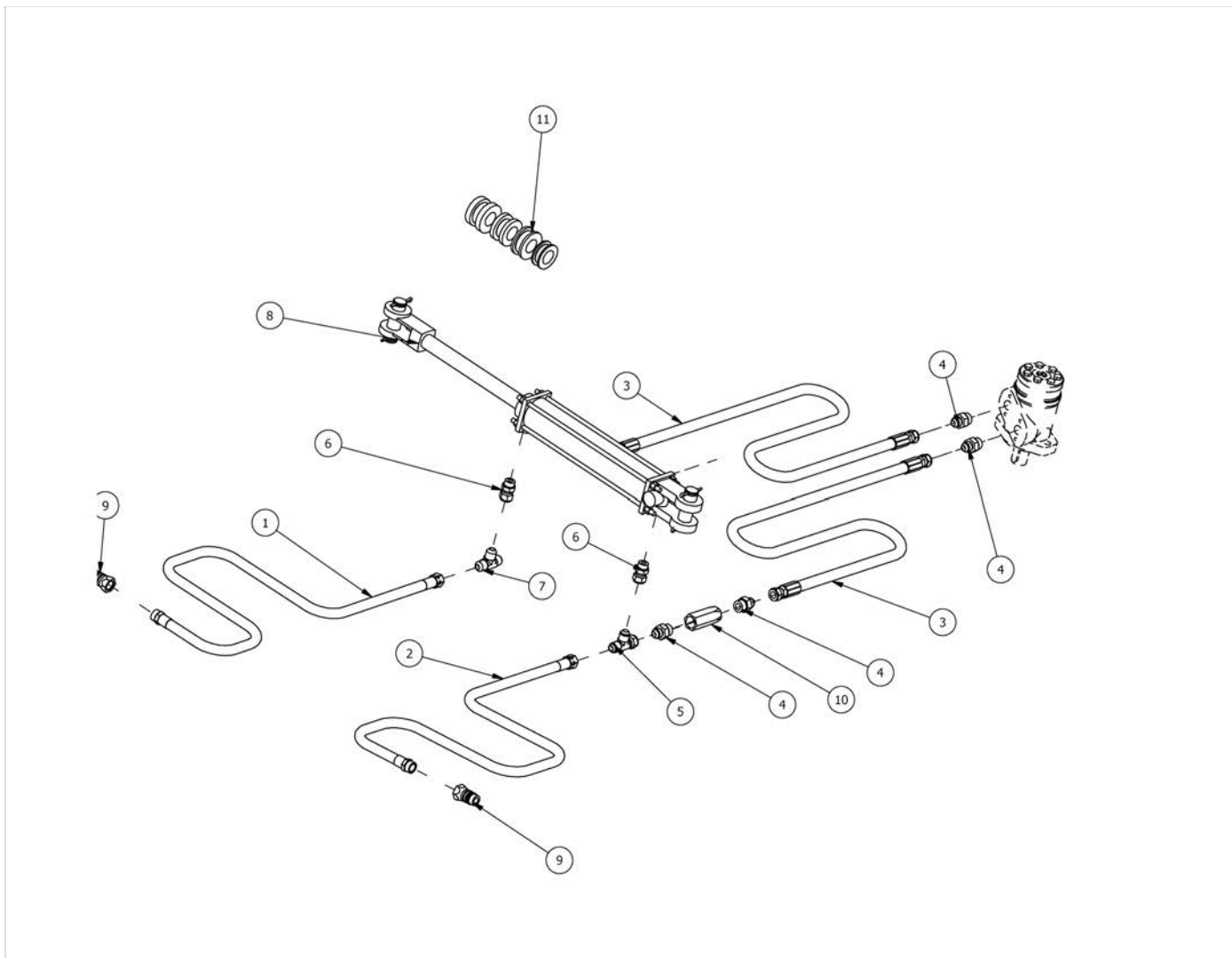


Pos	SKU	Description	Qty	Remark
1	AAA-006-00408	PLASTIC SUPT AND RUBR BRKT 39-1/2 FOR FLAT CNVR	1	
2	AAA-006-00410	RUBR FLAP FOR UNDERSIDE OF CNVR	1	
3	AAA-006-00485	DROP BOOT LOWER CYDR MNT WELDMENT	2	
4	AAA-006-00487	DROP BOOT WELDMENT	1	
5	AAA-006-00500	DROP BOOT LOCK PLT 5/8T	2	
6	AAA-006-00503	DROP BOOT END SHIELD HDPE 0.22T	1	
7	AAA-006-01054	DROP BOOT WELDMENT IDLER SHAFT SIDE 5000 SERIES	1	
8	AAA-006-01055	DROP BOOT END SHIELD HDPE IDLER SHAFT SIDE 0.22T 5000 SERIES	1	
9	AAA-006-01057	DROP BOOT LOWER SHIELD WELDMENT 5000 SERIES	2	
10	AAA-009-00161	KIT FIT AND HOSE DUAL CNVR DROP BOOT	1	
11	AAB-015-10028	BOLT CARRIAGE 3/8-16 X 1 GRD 5	12	
12	AAB-015-10060	BOLT CARRIAGE 3/8 X 1-1/4 UNC GRD 2	12	
13	AAB-015-10061	BOLT CARRIAGE 3/8 X 1-1/2 UNC GRD 5	4	
14	AAB-015-20017	NUT HEX 3/8 UNC GRD 2	28	
15	AAB-015-30012	WSHR FLAT 3/8 USS	28	

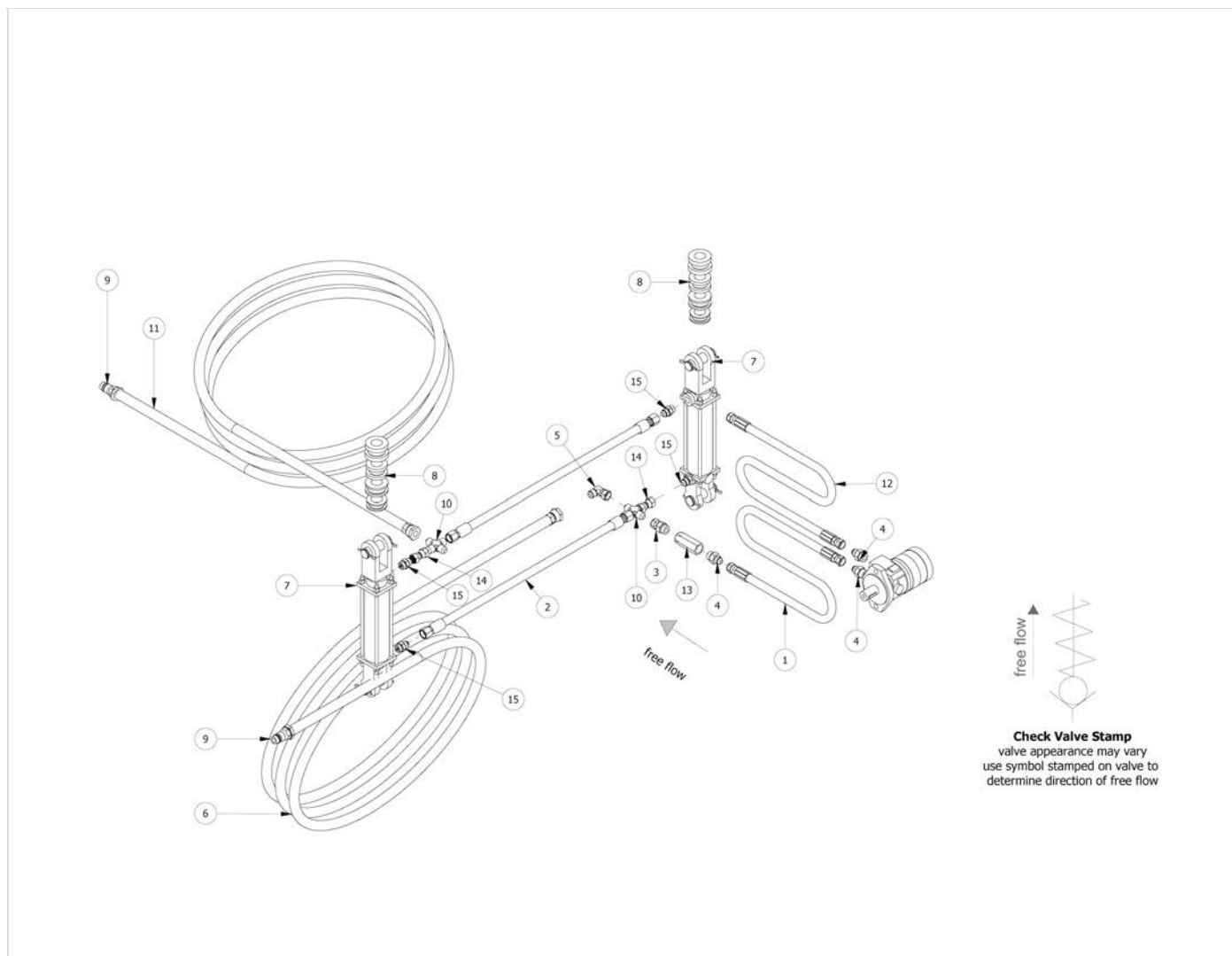
Pos	SKU	Description	Qty	Remark
16	AAB-015-30017	WSHR LOCK 3/8	28	
17	AAA-006-01058	DUAL CNVR DROP BOOT ASSY 5000 SERIES	1	



Pos	SKU	Description	Qty	Remark
1	AAA-006-00617-P3	CNVR DRIVESHAFT ASSY	1	
2	AAB-006-00013	SPROCKET CAST KEYED FOR DRIVE	2	
3	AAB-006-00009	BRNG 1-1/8 ID FLNG FOR CNVR DRIVE AND IDLER SHAFTS	2	
4	AAB-006-00030	KEY 1/4 X 1 1/2	2	

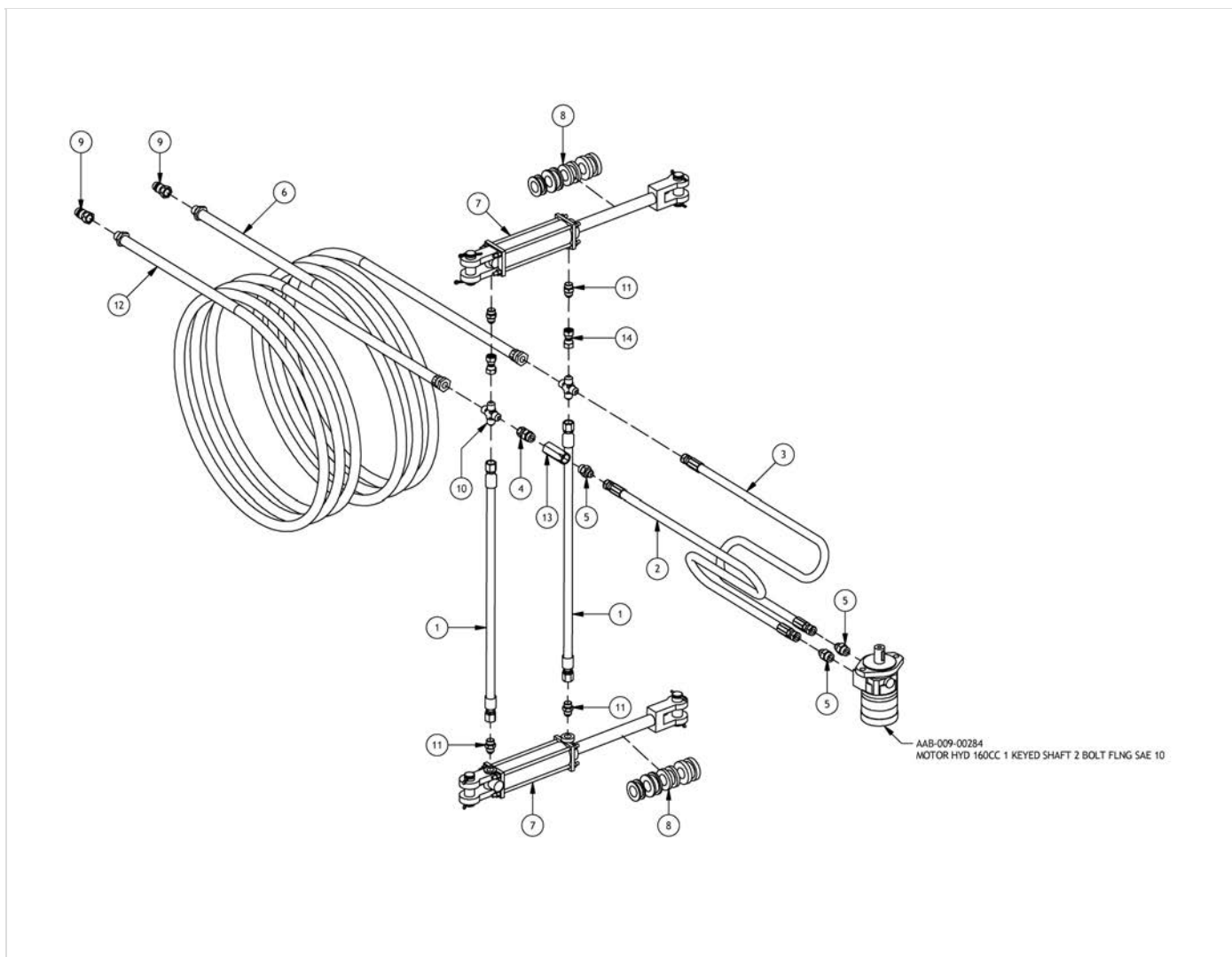


Pos	SKU	Description	Qty	Remark
1	AAA-009-00255	HOSE HYD 1/2DIA SINGLE BRAID 8 MORB X 8 FJIC 240L 3000PSI	1	
2	AAA-009-00259	HOSE HYD 1/2DIA SINGLE BRAID 8 MORB X 8 FJIC 224L 3000PSI	1	
3	AAB-009-00058	HOSE HYD 1/2DIA SNGL BRAID 8 FJIC SWIVEL X 8 FJIC SWIVEL X 63L	2	
4	AAB-009-00080	FIT ADPT 8 MJIC X 10 MORB	4	
5	AAB-009-00029	FIT TEE 8 MJIC X 8 FJIC SWIVEL X 8 MJIC	1	
6	AAB-009-00341	FIT ADPT 8 FJIC X 8 MORB	2	
7	AAB-009-00340	FIT TEE 8 MJIC X 8 MJIC X 8MJIC	1	
8	AAB-009-00237	HYD CYL 10" STROKE X 2" BORE	1	
9	AAB-009-00322	FIT ADPT 8 MQDC X 8 FORB BALL STYLE	2	
10	AAB-009-00321	VALVE CHECK 10 FORB X 10 FORB	1	
11	AAB-009-00314	KIT LOCK COLLARS 1-1/8 AND 1-1/4DIA WITH 3/4, 1, 1-1/4, 1-1/2	1	



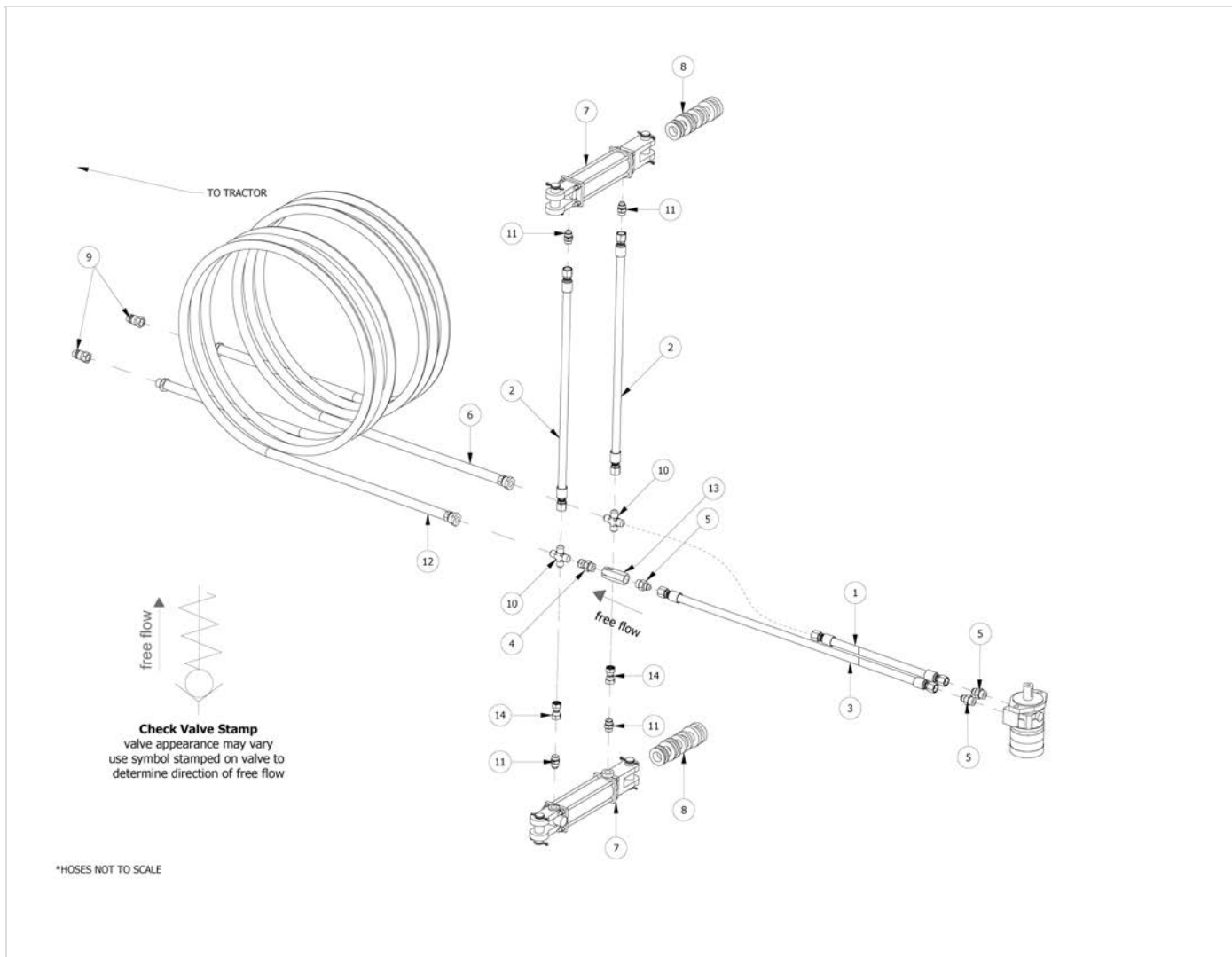
Pos	SKU	Description	Qty	Remark
1	AAA-009-00152	HOSE HYD 1/2DIA SNGL BRAID 8 FJIC SWIVEL X 8 FJIC SWIVEL 60L	1	
2	AAA-009-00404	HOSE HYD 1/2DIA SINGLE BRAID 8 FJIC X 8 FJIC 26L 3000PSI	2	
3	AAB-009-00079	FIT ADPT 10 MORB X 8 FJIC SWIVEL	1	
4	AAB-009-00080	FIT ADPT 8 MJIC X 10 MORB	3	
5	AAB-009-00088	FIT 90DEG 8 MJIC X 8 FJIC SWIVEL	1	
6	AAB-009-00133	HOSE HYD 1/2DIA SINGLE BRAID 8 MORB X 8 FJIC X 180L	1	
7	AAB-009-00230	HYD CYDR 6 STROKE X 2DIA	2	
8	AAB-009-00314	KIT LOCK COLLARS 1-1/8 AND 1-1/4DIA WITH 3/4, 1, 1-1/4, 1-1/2	2	
9	AAB-009-00322	FIT ADPT 8 MQDC X 8 FORB BALL STYLE	2	
10	AAB-009-00326	FIT CROSS 8 MJIC X 8 MJIC X 8 MJIC X 8 MJIC	2	
11	AAB-009-00508	HOSE HYD 1/2DIA SINGLE BRAID 8 MORB X 8 FJIC X 168L	1	
12	AAB-009-00509	HOSE HYD 1/2DIA SNGL BRAID 8 FJIC SWIVEL X 8 FJIC SWIVEL 40L	1	
13	AAB-009-00511	CHECK VALVE 10 FORB X 10 FORB 65/72 PSI CRACK PRESSURE	1	

Pos	SKU	Description	Qty	Remark
14	AAB-009-00725	FIT ADPT 8 FJIC X 8 FJIC	2	
15	AAB-009-00738	FIT RESTRICTOR 3/16DIA - 8 MORB X 8 MJIC	4	



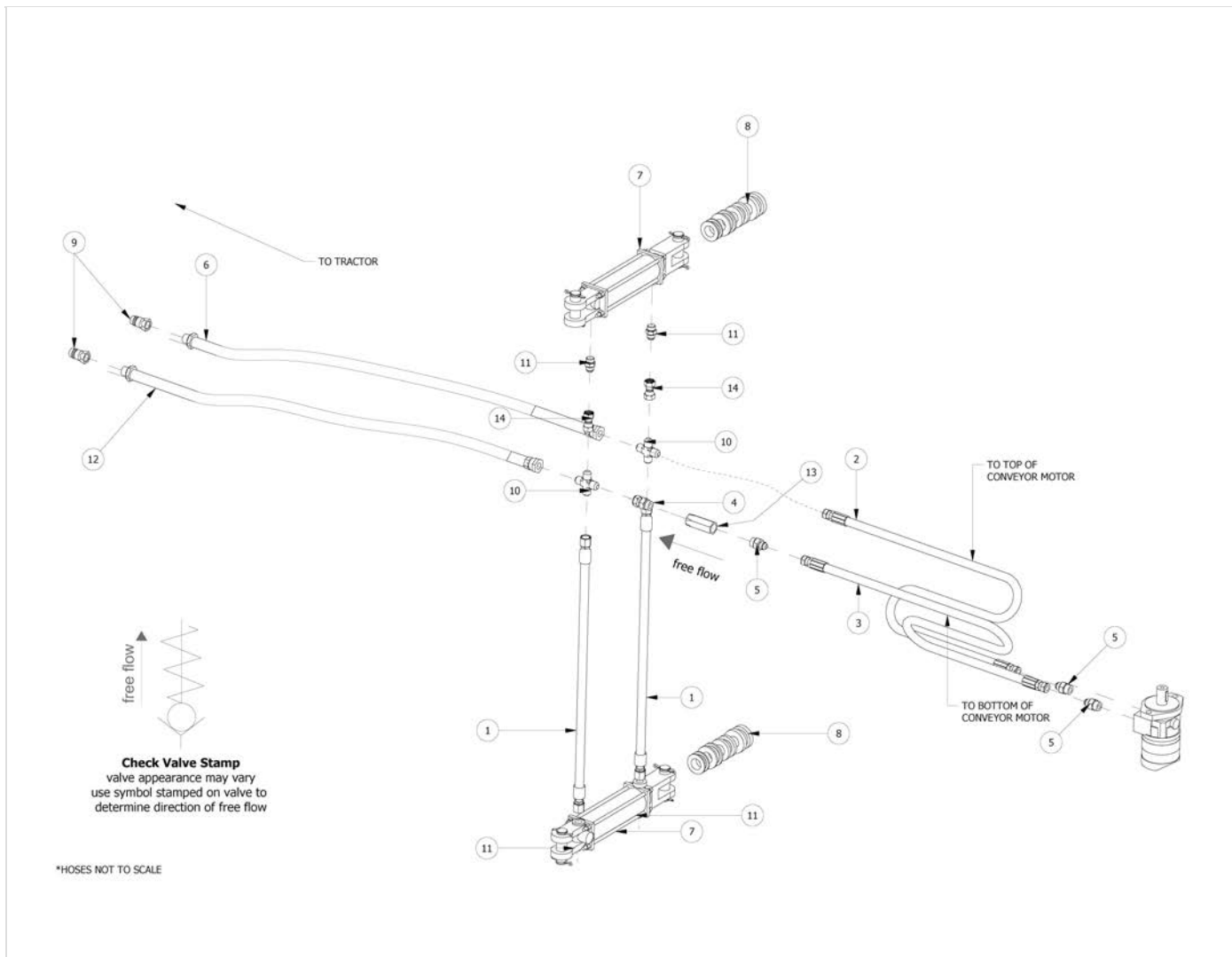
Pos	SKU	Description	Qty	Remark
1	AAA-009-00404	HOSE HYD 1/2DIA SINGLE BRAID 8 FJIC X 8 FJIC 26L 3000PSI	2	
2	AAA-009-00962	HOSE HYD 1/2DIA SNGL BRAID 8 FJIC SWIVEL X 8 FJIC SWIVEL X 54L	1	
3	AAA-009-00963	HOSE HYD 1/2DIA SNGL BRAID 8 FJIC SWIVEL X 8 FJIC SWIVEL X 42L	1	
4	AAB-009-00079	FIT ADPT 10 MORB X 8 FJIC SWIVEL	1	
5	AAB-009-00080	FIT ADPT 8 MJIC X 10 MORB	3	
6	AAB-009-00133	HOSE HYD 1/2DIA SINGLE BRAID 8 MORB X 8 FJIC X 180L	1	
7	AAB-009-00230	HYD CYDR 6 STROKE X 2DIA	2	
8	AAB-009-00314	KIT LOCK COLLARS 1-1/8 AND 1-1/4DIA WITH 3/4, 1, 1-1/4, 1-1/2	2	
9	AAB-009-00322	FIT ADPT 8 MQDC X 8 FORB BALL STYLE	2	
10	AAB-009-00326	FIT CROSS 8 MJIC X 8 MJIC X 8 MJIC X 8 MJIC	2	
11	AAB-009-00353	FIT RESTRICTOR 1/16DIA - 8 MORB X 8 MJIC	4	
12	AAB-009-00508	HOSE HYD 1/2DIA SINGLE BRAID 8 MORB X 8 FJIC X 168L	1	
13	AAB-009-00511	CHECK VALVE 10 FORB X 10 FORB 65/72 PSI CRACK PRESSURE	1	

Pos	SKU	Description	Qty	Remark
14	AAB-009-00725	FIT ADPT 8 FJIC X 8 FJIC	2	
15	AAB-009-00284	MOTOR HYD 160CC 1 KEYED SHAFT 2 BOLT FLNG SAE 10	1	



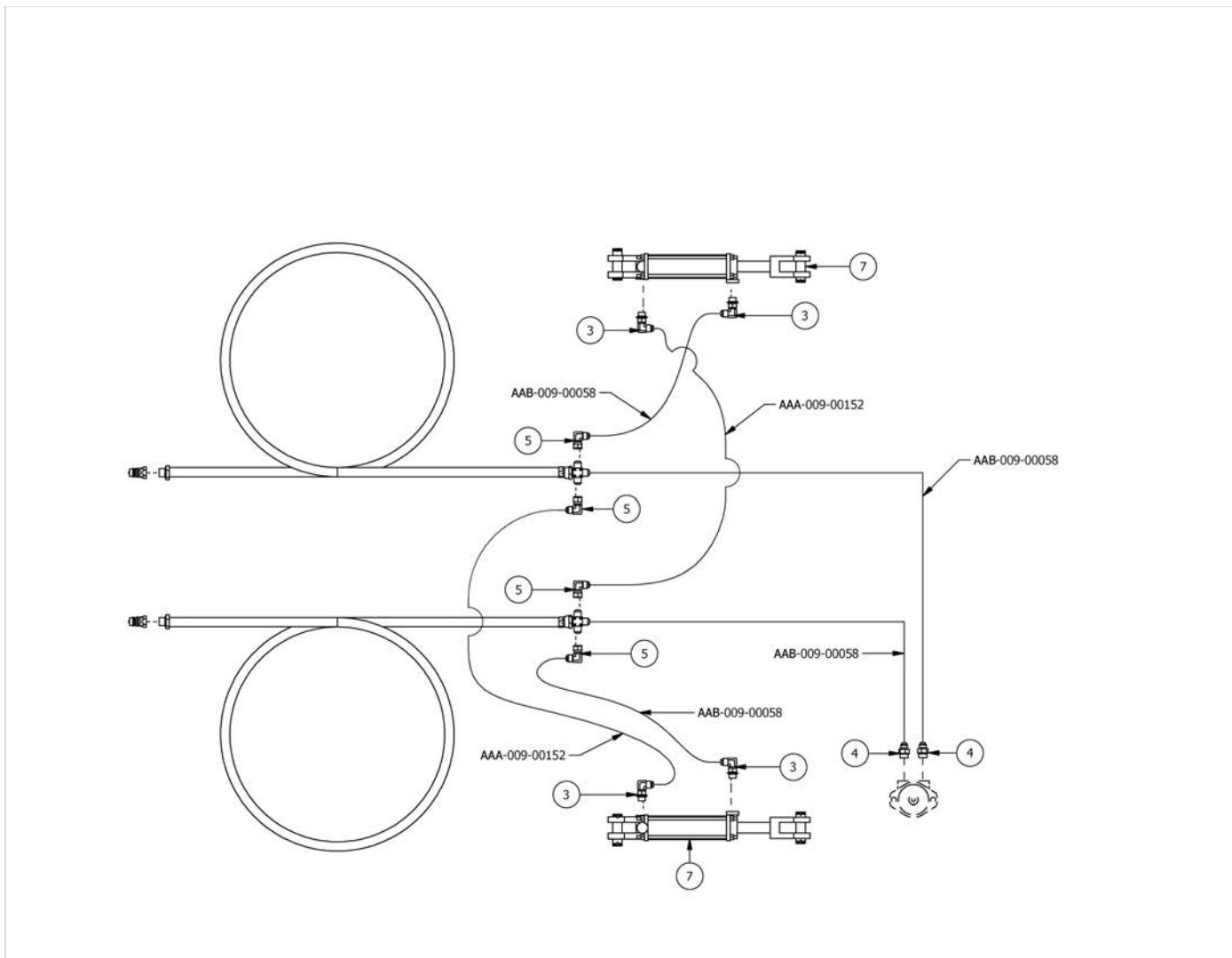
Pos	SKU	Description	Qty	Remark
1	AAA-009-00213	HOSE HYD 1/2DIA SINGLE BRAID 8 FJIC X 8 FJIC 48L 3000PSI	1	
2	AAA-009-00404	HOSE HYD 1/2DIA SINGLE BRAID 8 FJIC X 8 FJIC 26L 3000PSI	2	
3	AAA-009-00405	HOSE HYD 1/2DIA SINGLE BRAID 8 FJIC X 8 FJIC 67L 3000PSI	1	
4	AAB-009-00079	FIT ADPT 10 MORB X 8 FJIC SWIVEL	1	
5	AAB-009-00080	FIT ADPT 8 MJIC X 10 MORB	3	
6	AAB-009-00133	HOSE HYD 1/2DIA SINGLE BRAID 8 MORB X 8 FJIC X 180L	1	
7	AAB-009-00230	HYD CYDR 6 STROKE X 2DIA	2	
8	AAB-009-00314	KIT LOCK COLLARS 1-1/8 AND 1-1/4DIA WITH 3/4, 1, 1-1/4, 1-1/2	2	
9	AAB-009-00322	FIT ADPT 8 MQDC X 8 FORB BALL STYLE	2	
10	AAB-009-00326	FIT CROSS 8 MJIC X 8 MJIC X 8 MJIC X 8 MJIC	2	
11	AAB-009-00353	FIT RESTRICTOR 1/16DIA - 8 MORB X 8 MJIC	4	
12	AAB-009-00508	HOSE HYD 1/2DIA SINGLE BRAID 8 MORB X 8 FJIC X 168L	1	
13	AAB-009-00511	CHECK VALVE 10 FORB X 10 FORB 65/72 PSI CRACK PRESSURE	1	

Pos	SKU	Description	Qty	Remark
14	AAB-009-00725	FIT ADPT 8 FJIC X 8 FJIC	2	

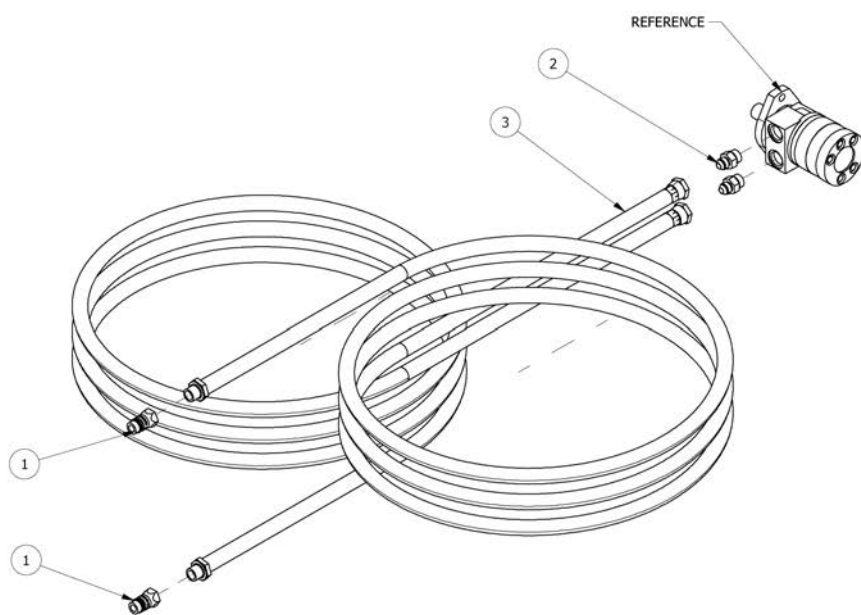


Pos	SKU	Description	Qty	Remark
1	AAA-009-00404	HOSE HYD 1/2DIA SINGLE BRAID 8 FJIC X 8 FJIC 26L 3000PSI	2	
2	AAA-009-00451	HOSE HYD 1/2DIA SINGLE BRAID 8 FJIC SWIVEL X 8 FJIC SWIVEL 65L	1	
3	AAA-009-00452	HOSE HYD 1/2DIA SNGL BRAID 8 FJIC SWIVEL X 8 FJIC SWIVEL X 80L	1	
4	AAB-009-00079	FIT ADPT 10 MORB X 8 FJIC SWIVEL	1	
5	AAB-009-00080	FIT ADPT 8 MJIC X 10 MORB	3	
6	AAB-009-00133	HOSE HYD 1/2DIA SINGLE BRAID 8 MORB X 8 FJIC X 180L	1	
7	AAB-009-00230	HYD CYDR 6 STROKE X 2DIA	2	
8	AAB-009-00314	KIT LOCK COLLARS 1-1/8 AND 1-1/4DIA WITH 3/4, 1, 1-1/4, 1-1/2	2	
9	AAB-009-00322	FIT ADPT 8 MQDC X 8 FORB BALL STYLE	2	
10	AAB-009-00326	FIT CROSS 8 MJIC X 8 MJIC X 8 MJIC X 8 MJIC	2	
11	AAB-009-00353	FIT RESTRICTOR 1/16DIA - 8 MORB X 8 MJIC	4	
12	AAB-009-00508	HOSE HYD 1/2DIA SINGLE BRAID 8 MORB X 8 FJIC X 168L	1	
13	AAB-009-00511	CHECK VALVE 10 FORB X 10 FORB 65/72 PSI CRACK PRESSURE	1	

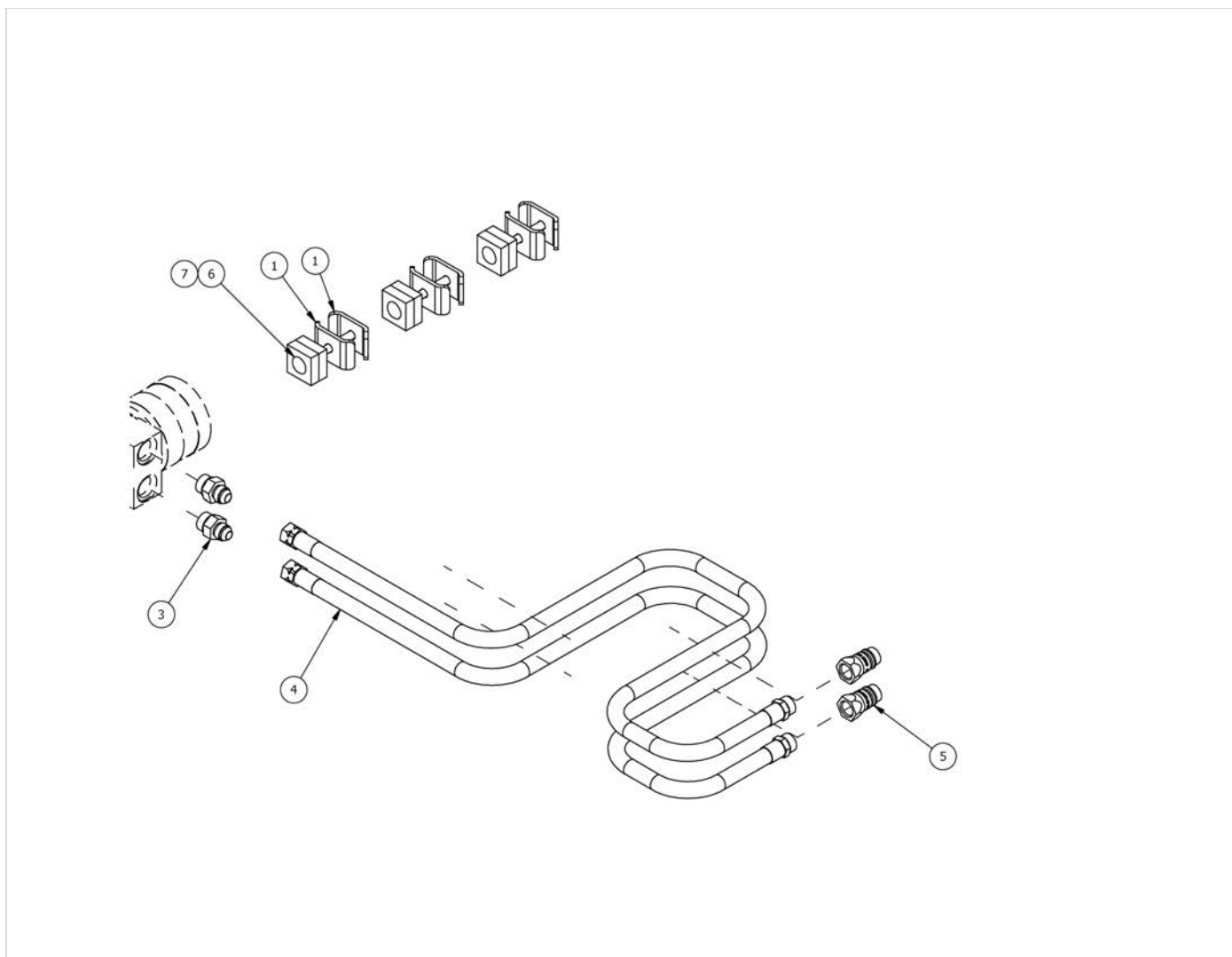
Pos	SKU	Description	Qty	Remark
14	AAB-009-00725	FIT ADPT 8 FJIC X 8 FJIC	2	



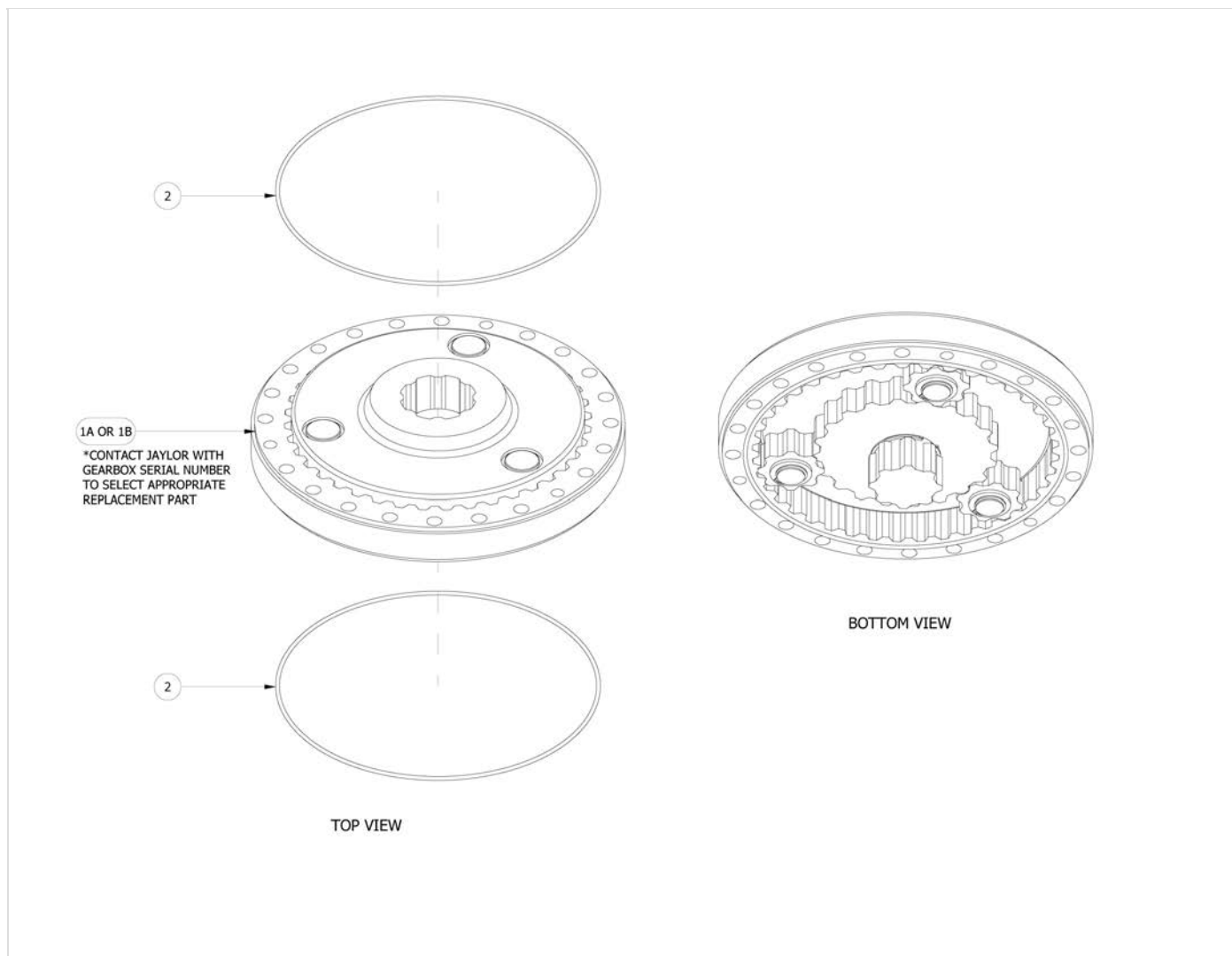
Pos	SKU	Description	Qty	Remark
1	AAA-009-00152	HOSE HYD 1/2DIA SNGL BRAID 8 FJIC SWIVEL X 8 FJIC SWIVEL 60L	2	
2	AAB-009-00058	HOSE HYD 1/2DIA SNGL BRAID 8 FJIC SWIVEL X 8 FJIC SWIVEL X 63L	4	
3	AAB-009-00076	FIT 90DEG 8 MJIC X ADJUST 8 MORB	4	
4	AAB-009-00080	FIT ADPT 8 MJIC X 10 MORB	2	
5	AAB-009-00088	FIT 90DEG 8 MJIC X 8 FJIC SWIVEL	4	
6	AAB-009-00133	HOSE HYD 1/2DIA SINGLE BRAID 8 MORB X 8 FJIC X 180L	2	
7	AAB-009-00230	HYD CYDR 6 STROKE X 2DIA	2	
8	AAB-009-00322	FIT ADPT 8 MQDC X 8 FORB BALL STYLE	2	
9	AAB-009-00326	FIT CROSS 8 MJIC X 8 MJIC X 8 MJIC X 8 MJIC	2	



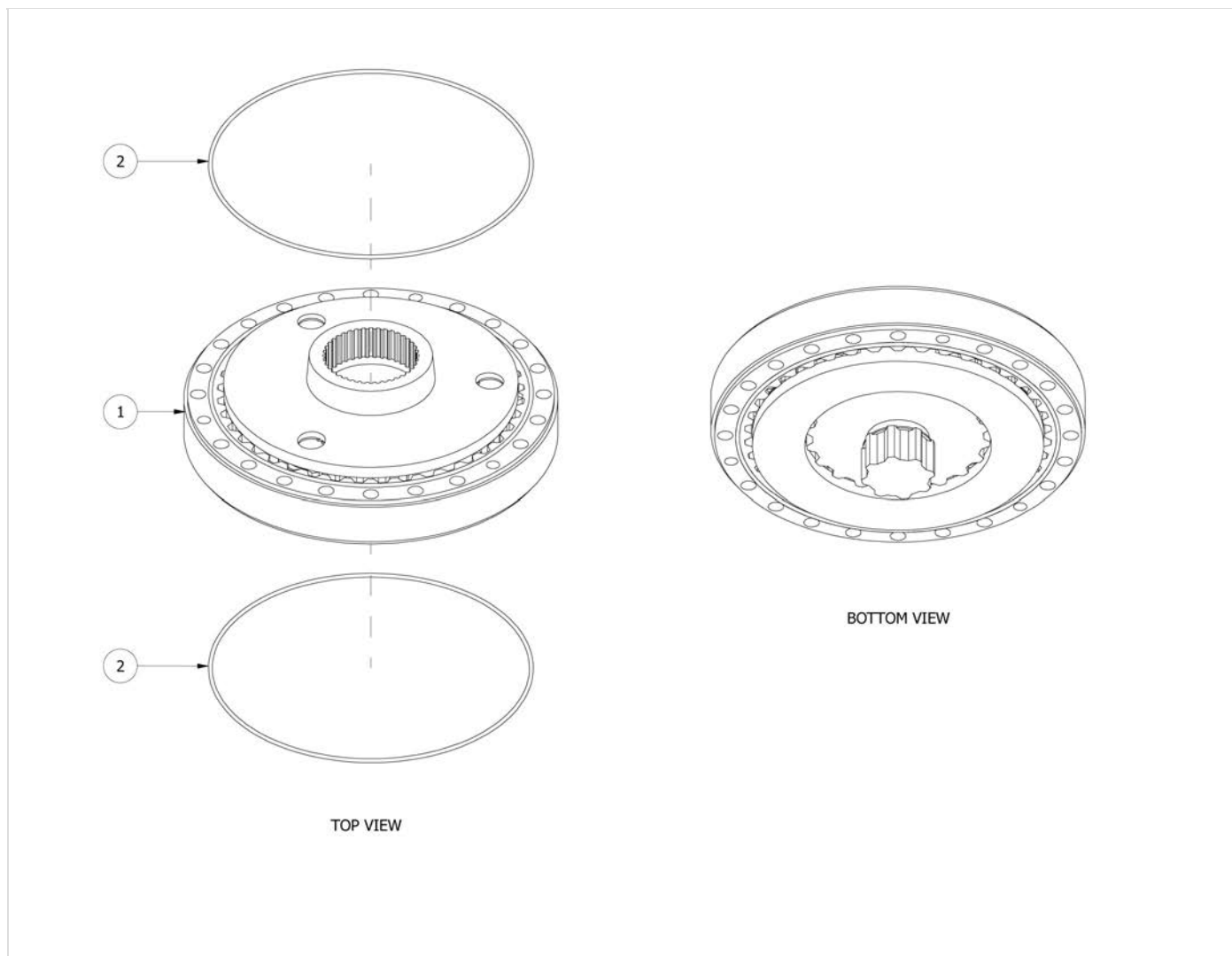
Pos	SKU	Description	Qty	Remark
1	AAB-009-00322	FIT ADPT 8 MQDC X 8 FORB BALL STYLE	2	
2	AAB-009-00080	FIT ADPT 8 MJIC X 10 MORB	2	
3	AAB-009-00133	HOSE HYD 1/2DIA SINGLE BRAID 8 MORB X 8 FJIC X 180L	2	



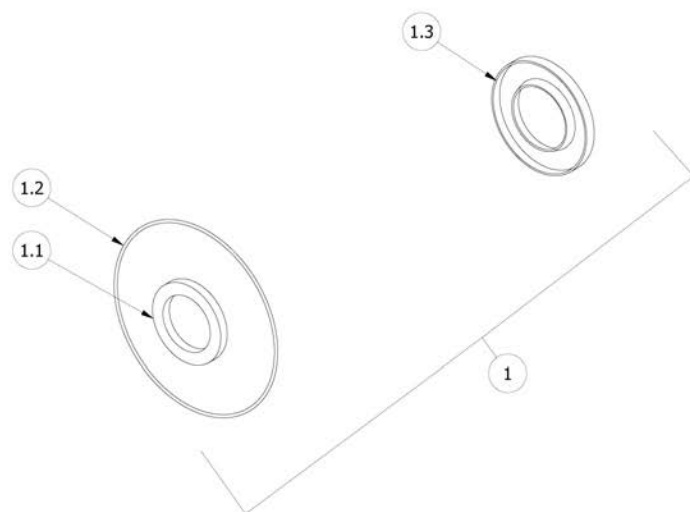
Pos	SKU	Description	Qty	Remark
1	AAA-002-00343	CLIP HYD HOSE ZINC	6	
2	AAA-006-00223	SPCR PLASTIC 1/2T 1-1/2SQ	6	
3	AAB-009-00080	FIT ADPT 8 MJIC X 10 MORB	2	
4	AAA-009-00255	HOSE HYD 1/2DIA SINGLE BRAID 8 MORB X 8 FJIC 240L 3000PSI	2	
5	AAB-009-00322	FIT ADPT 8 MQDC X 8 FORB BALL STYLE	2	
6	AAB-015-10062	BOLT CARRIAGE 3/8 X 4 GRD 2	3	
7	AAB-015-20017	NUT HEX 3/8 UNC GRD 2	3	



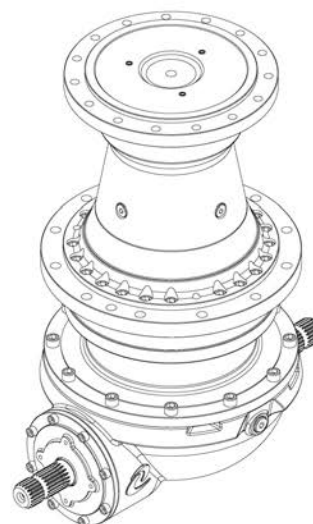
Pos	SKU	Description	Qty	Remark
1	AAB-007-00270	KIT PLANETARY SET PGA1603 VM (LOWER SET)	1	
1	AAB-007-01363	KIT PLANETARY SET PGA1603 VM (LOWER SET)	1	
2	AAB-007-00523	ORING 3.53MM X 291.69MM 41150	2	



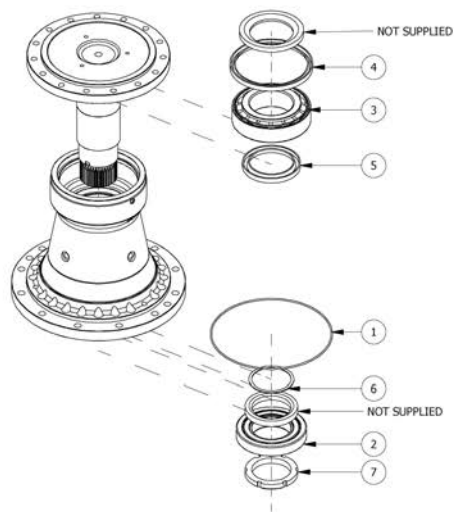
Pos	SKU	Description	Qty	Remark
1	AAB-007-00234	KIT PLANETARY SET PGA 1602VM AND PGA 1603 VM (UPPER PLANETARY SET)	1	
2	AAB-007-00523	ORING 3.53MM X 291.69MM 41150	2	



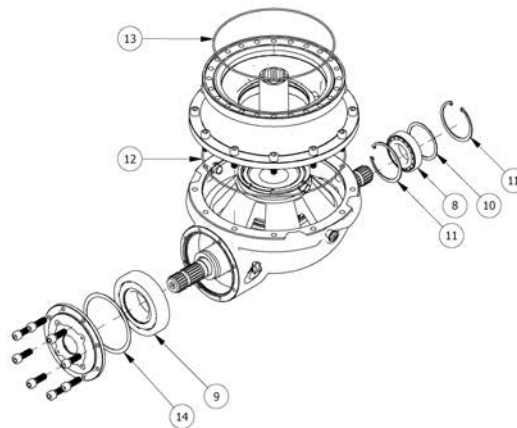
NOTE: INPUT AND OUTPUT SHAFT SEALS COMMON BETWEEN 1602 AND 1603 (THRU SHAFT)



Pos	SKU	Description	Qty	Remark
1	AAA-007-00133	KIT INPUT / OUTPUT SEALS 1602/1603	1	
1.1	AAB-007-00255	OIL SEAL BASL 45 X 72 X 8 DIN 3760 - NB	1	
1.2	AAB-007-00256	O-RING 2.62 X 158.42	1	
1.3	AAB-007-00259	OIL SEAL BASL 55 X 100 X 10	1	



TO ORDER ALL PARTS AS A KIT, USE PART # AAA-007-00131

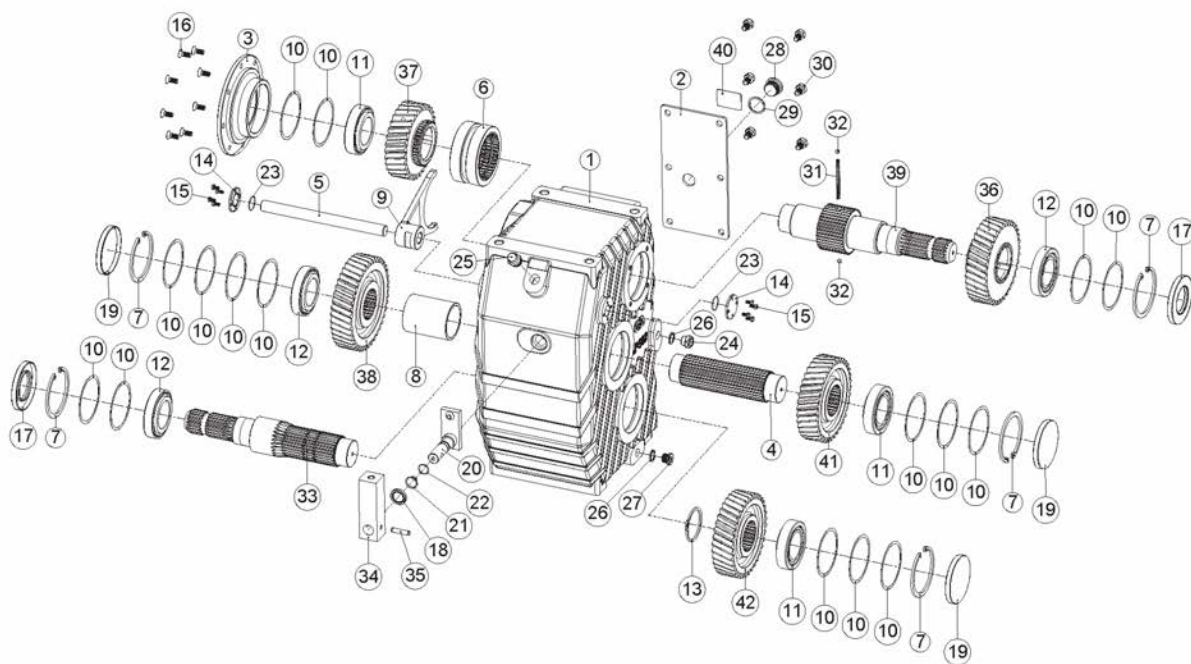


NOTE:
KITS AVAILABLE FOR:

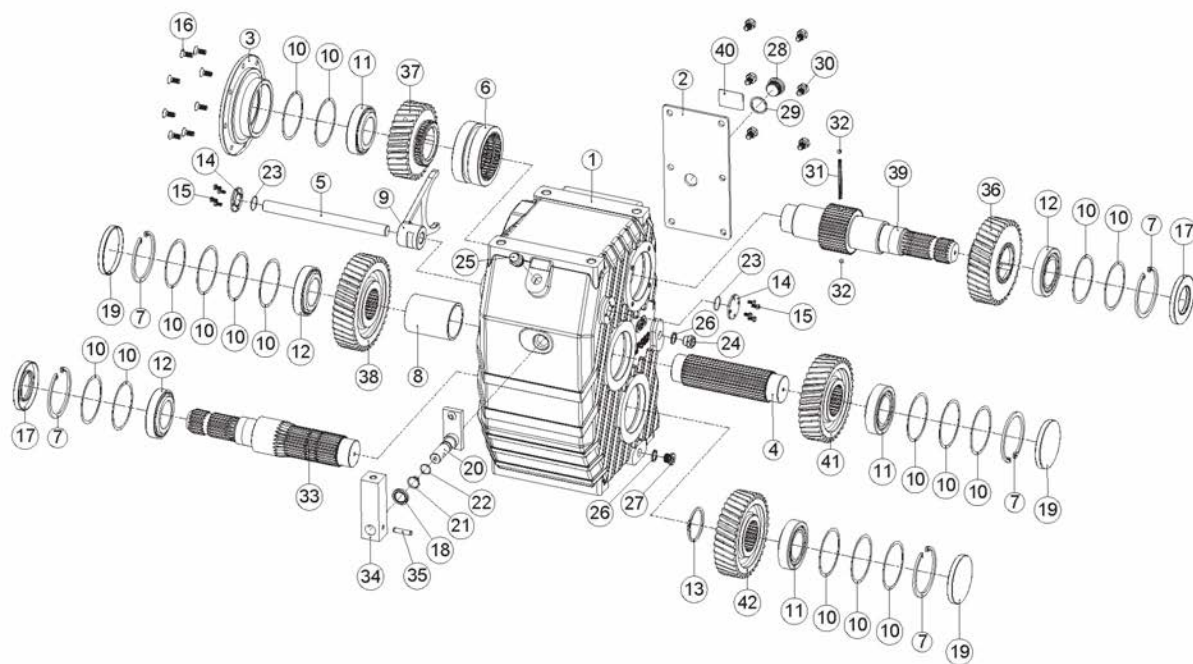
- 1. COMPLETE PLANETARY REDUCTION ASSEMBLY
- 2. INPUT AND OUTPUT SHAFT SEALS

ALL PARTS NOT IN KITS. PLEASE REFER TO
MANUFACTURER'S PART LIST IN GEARBOX SECTION

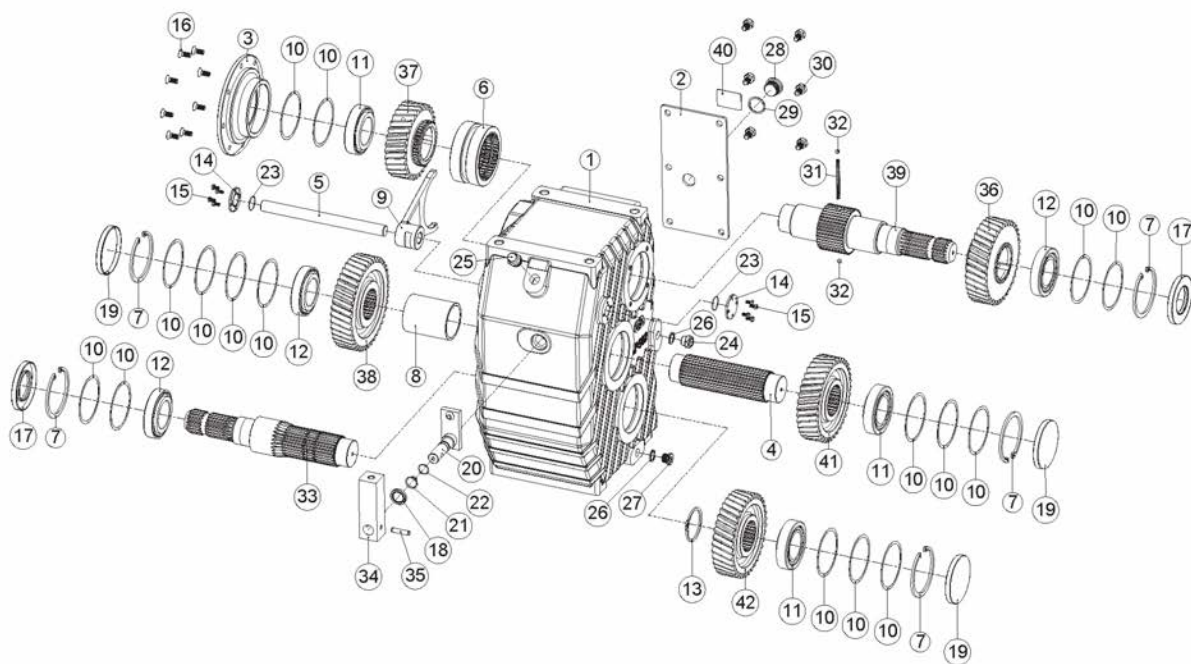
Pos	SKU	Description	Qty	Remark
1	AAB-007-00523	ORING 3.53MM X 291.69MM 41150	2	
2	AAB-007-00237	BRNG TAPER - 32221	1	
3	AAB-007-00238	BRNG TAPERED ROLLER 30219	1	
4	AAB-007-00239	SEAL OIL A 180X200X15 DIN 3750 - NB	1	
5	AAB-007-00242	SEAL OIL A 105X140X12 DIN 3760 - NB	1	
6	AAB-007-00404	KIT SHIM 95.2MM X 109.8MM	1	
7	AAB-007-00244	RING NUT KM19	1	
8	AAB-007-00251	TAPERED ROLLER BEARING 32211	1	
9	AAB-007-00250	TAPERED ROLLER BEARING 30315	1	
10	AAB-007-00645	KIT SHIM 85.3MM X 99.7MM (9479.085.100)	1	
11	AAB-007-00258	INTERNAL CIRCLIP 100MM	2	
12	AAB-007-00408	ORING 41300 3.53mm x 329.79mm	1	
13	AAB-007-00523	ORING 3.53MM X 291.69MM 41150	2	
14	AAB-007-00646	KIT SHIM 140.3MM X 159.6MM (9479.140.160)	1	
15	AAA-007-00131	KIT SEAL / BEARING 1602 / 1603	1	



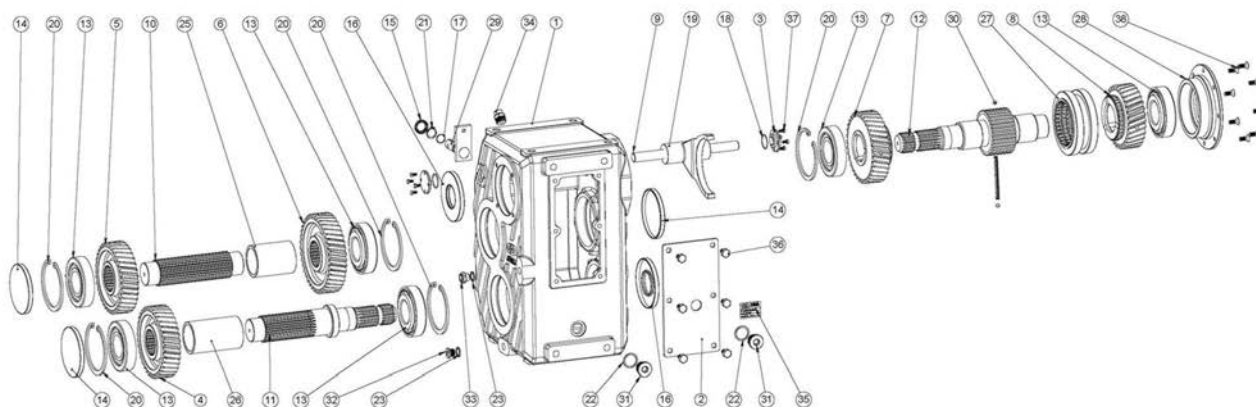
Pos	SKU	Description	Qty	Remark
7	AAB-007-00366	RETAINING RING 2 SPD OUTPUT SHAFT D901 DIN 472	5	
10	AAB-007-00482	SHIM KIT AP502 80MM X 90MM x 0.5MM	16	
11	AAB-007-00483	BRNG SHAFT AP502 (32210)	3	
12	AAB-007-00513	BRNG TAPER ROLLER (30210)	3	
13	AAB-007-00510	RETAINING RING INTERNALD.90 UNI 7437 SHAFT ASSY	1	
17	AAB-007-00365	SEAL 2 SPD OUTPUT SHAFT BACK 50MM X 90MM X 10MM	2	
18	AAB-007-00487	SEAL AP502	1	
19	AAB-007-00501	CAP 90MM X 10MM	3	
22	AAB-007-00620	ORING AP502 gearbox ANELLO OR METRICO Øint. 17 x Øcor. 1.5 1 07.OR.170-15	1	



Pos	SKU	Description	Qty	Remark
7	AAB-007-00366	RETAINING RING 2 SPD OUTPUT SHAFT D901 DIN 472	5	
10	AAB-007-00482	SHIM KIT AP502 80MM X 90MM x 0.5MM	16	
11	AAB-007-00483	BRNG SHAFT AP502 (32210)	3	
12	AAB-007-00513	BRNG TAPER ROLLER (30210)	3	
13	AAB-007-00510	RETAINING RING INTERNALD.90 UNI 7437 SHAFT ASSY	1	
17	AAB-007-00365	SEAL 2 SPD OUTPUT SHAFT BACK 50MM X 90MM X 10MM	2	
18	AAB-007-00487	SEAL AP502	1	
19	AAB-007-00501	CAP 90MM X 10MM	3	
22	AAB-007-00620	ORING AP502 gearbox ANELLO OR METRICO Øint. 17 x Øcor. 1.5 1 07.OR.170-15	1	



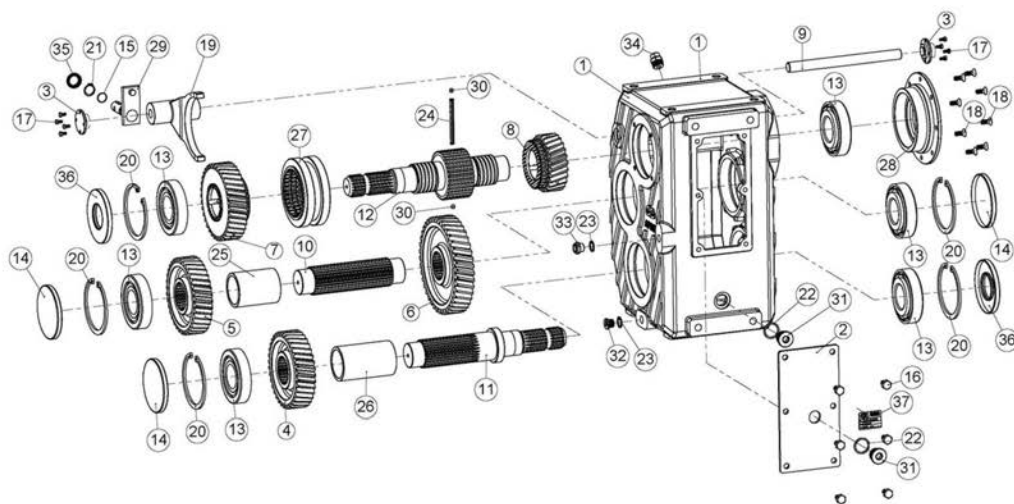
Pos	SKU	Description	Qty	Remark
7	AAB-007-00366	RETAINING RING 2 SPD OUTPUT SHAFT D901 DIN 472	5	
10	AAB-007-00482	SHIM KIT AP502 80MM X 90MM x 0.5MM	16	
11	AAB-007-00483	BRNG SHAFT AP502 (32210)	3	
12	AAB-007-00513	BRNG TAPER ROLLER (30210)	3	
13	AAB-007-00510	RETAINING RING INTERNALD.90 UNI 7437 SHAFT ASSY	1	
17	AAB-007-00365	SEAL 2 SPD OUTPUT SHAFT BACK 50MM X 90MM X 10MM	2	
18	AAB-007-00487	SEAL AP502	1	
19	AAB-007-00501	CAP 90MM X 10MM	3	
22	AAB-007-00620	ORING AP502 gearbox ANELLO OR METRICO Øint. 17 x Øcor. 1.5 1 07.OR.170-15	1	



PART # AAA-007-00832-P3
2-SPEED GEARBOX AP602, 1.3:1 RATIO

Pos	SKU	Description	Qty	Remark
1	AAB-007-00988	HOUSING AP602	1	
2	AAB-007-00989	HOUSING COVER AP502 Fe37 3/4 "(341)	1	
3	AAB-007-00990	LEVER COVER AP602	2	
4	AAB-007-00991	GEAR Z36 M4 R1 / 1 EL DX	1	
5	AAB-007-00992	GEAR Z36 M4 R1 / 1 EL SX	1	
6	AAB-007-01019	CROWN GEAR Z41 M4 R1/1 EL DX	1	
7	AAB-007-00994	GEAR RL Z36 M4 R1 / 1 EL DX	1	
8	AAB-007-01020	PINION GEAR RL Z31 M4 R1.32 EL SX	1	
9	AAB-007-00996	TRANSMISSION SHAFT	1	
10	AAB-007-00997	INTERMEDIATE SHAFT	1	
11	AAB-007-00998	OUTPUT SHAFT R	1	
12	AAB-007-00999	INPUT SHAFT R	1	
13	AAB-007-01021	TAPERED ROLLER BEARING	6	
14	AAB-007-01022	RCA CAP CLOSURE	3	
15	AAB-007-00487	SEAL AP502	1	
16	AAB-007-00777	SEAL OIL 50MM X 110MM X 10MM TC	2	
17	AAB-007-00620	ORING AP502 gearbox ANELLO OR METRICO Øint. 17 x Øcor. 1.5 1 07.OR.170-15	1	
18	AAB-007-01023	O-RING 2112 28.3MM ID X 1.78MM OD	2	
19	AAB-007-01003	FORK	1	
21	AAB-007-01004	CIRCLIP EXTERNAL 20MM UNI7435	1	

Pos	SKU	Description	Qty	Remark
22	AAB-007-01005	COPPER GASKET 3/4"	2	
23	AAB-007-01006	COPPER GASKET 3/8"	2	
24	AAB-007-01007	19MM SPRING (AP602)	1	
25	AAB-007-01008	SPACER 57.8ID x 70OD x 90.5H	1	
26	AAB-007-01009	SPACER 57.8ID x 70OD x 115.5H	1	
27	AAB-007-01010	COUPLING BUSHING	1	
28	AAB-007-01011	CLOSING FLANGE	1	
29	AAB-007-01012	LEVER WELDED WITH KEY	1	
30	AAB-007-01013	BALL BEARING 8MM OD	2	
31	AAB-007-01014	OIL CAP 3/4" DIN908 ZINC	2	
32	AAB-007-01015	OIL CAP 3/8" DIN908 ZINC	1	
33	AAB-007-01016	OIL CAP WITH WINDOW 3/8" ALUMINUM	1	
34	AAB-007-01017	VENT VALVE 1/2" BRASS	1	
35	AAB-007-01018	SERIAL NUMBER PLATE	1	
36	AAB-007-01000	SCREW HEX 10 X 16 MM	6	
37	AAB-007-01001	SCREW HEX 5 X 10 MM	8	
38	AAB-007-01002	SCREW COUNTERSUNK 8 X 20 MM	8	

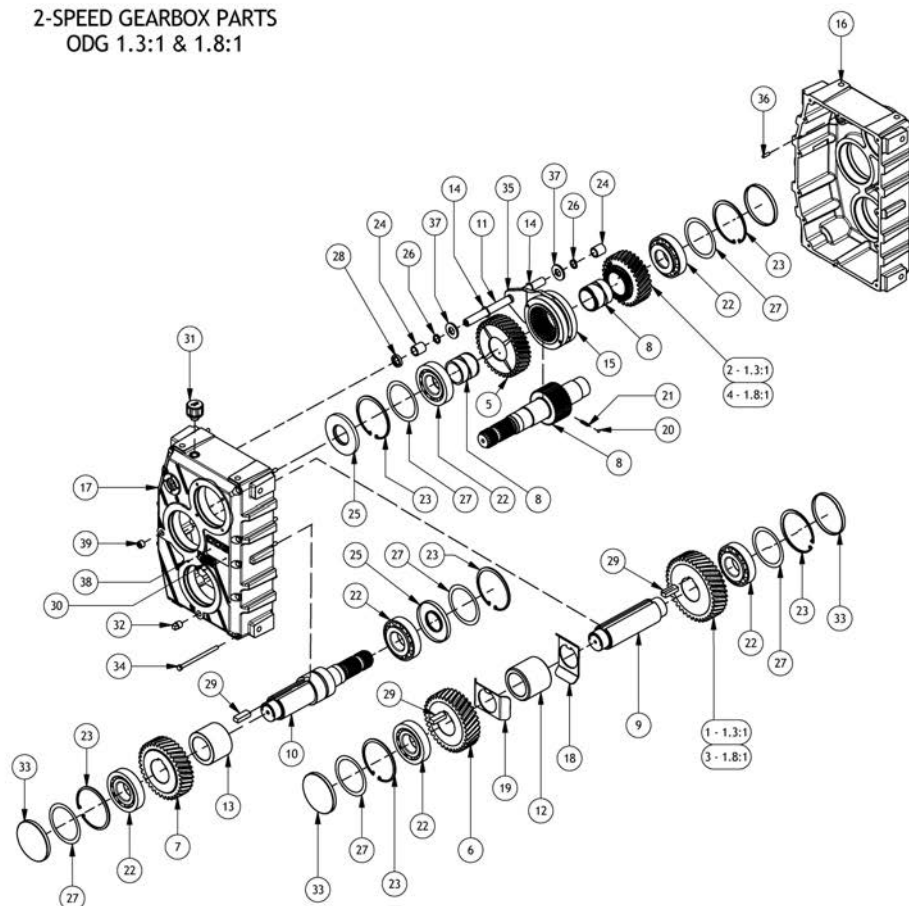


PART # AAA-007-00833-P3
2-SPEED GEARBOX AP602, 1.8:1 RATIO

Pos	SKU	Description	Qty	Remark
1	AAB-007-00988	HOUSING AP602	1	
2	AAB-007-00989	HOUSING COVER AP502 Fe37 3/4 "(341)	1	
3	AAB-007-00990	LEVER COVER AP602	2	
4	AAB-007-00991	GEAR Z36 M4 R1 / 1 EL DX	1	
5	AAB-007-00992	GEAR Z36 M4 R1 / 1 EL SX	1	
6	AAB-007-00993	CROWN GEAR Z46 M4 R1 / 1.84 EL DX	1	
7	AAB-007-00994	GEAR RL Z36 M4 R1 / 1 EL DX	1	
8	AAB-007-00995	PINION GEAR RL Z25 M4 R1 / 1.84 EL SX	1	
9	AAB-007-00996	TRANSMISSION SHAFT	1	
10	AAB-007-00997	INTERMEDIATE SHAFT	1	
11	AAB-007-00998	OUTPUT SHAFT R	1	
12	AAB-007-00999	INPUT SHAFT R	1	
13	AAB-007-00464	BRNG TAPERED ROLLER 30310	6	
14	AAB-007-00775	COVER RUBBER 110MM X 10MM RCA	3	
15	AAB-007-00620	ORING AP502 gearbox ANELLO OR METRICO Øint. 17 x Øcor. 1.5 1 07.OR.170-15	1	
16	AAB-007-01000	SCREW HEX 10 X 16 MM	6	
17	AAB-007-01001	SCREW HEX 5 X 10 MM	8	
18	AAB-007-01002	SCREW COUNTERSUNK 8 X 20 MM	8	
19	AAB-007-01003	FORK	1	
21	AAB-007-01004	CIRCLIP EXTERNAL 20MM UNI7435	1	

Pos	SKU	Description	Qty	Remark
22	AAB-007-01005	COPPER GASKET 3/4"	2	
23	AAB-007-01006	COPPER GASKET 3/8"	2	
24	AAB-007-01007	19MM SPRING (AP602)	1	
25	AAB-007-01008	SPACER 57.8ID x 70OD x 90.5H	1	
26	AAB-007-01009	SPACER 57.8ID x 70OD x 115.5H	1	
27	AAB-007-01010	COUPLING BUSHING	1	
28	AAB-007-01011	CLOSING FLANGE	1	
29	AAB-007-01012	LEVER WELDED WITH KEY	1	
30	AAB-007-01013	BALL BEARING 8MM OD	2	
31	AAB-007-01014	OIL CAP 3/4" DIN908 ZINC	2	
32	AAB-007-01015	OIL CAP 3/8" DIN908 ZINC	1	
33	AAB-007-01016	OIL CAP WITH WINDOW 3/8" ALUMINUM	1	
34	AAB-007-01017	VENT VALVE 1/2" BRASS	1	
35	AAB-007-00487	SEAL AP502	1	
36	AAB-007-00777	SEAL OIL 50MM X 110MM X 10MM TC	2	
37	AAB-007-01018	SERIAL NUMBER PLATE	1	

2-SPEED GEARBOX PARTS
ODG 1.3:1 & 1.8:1

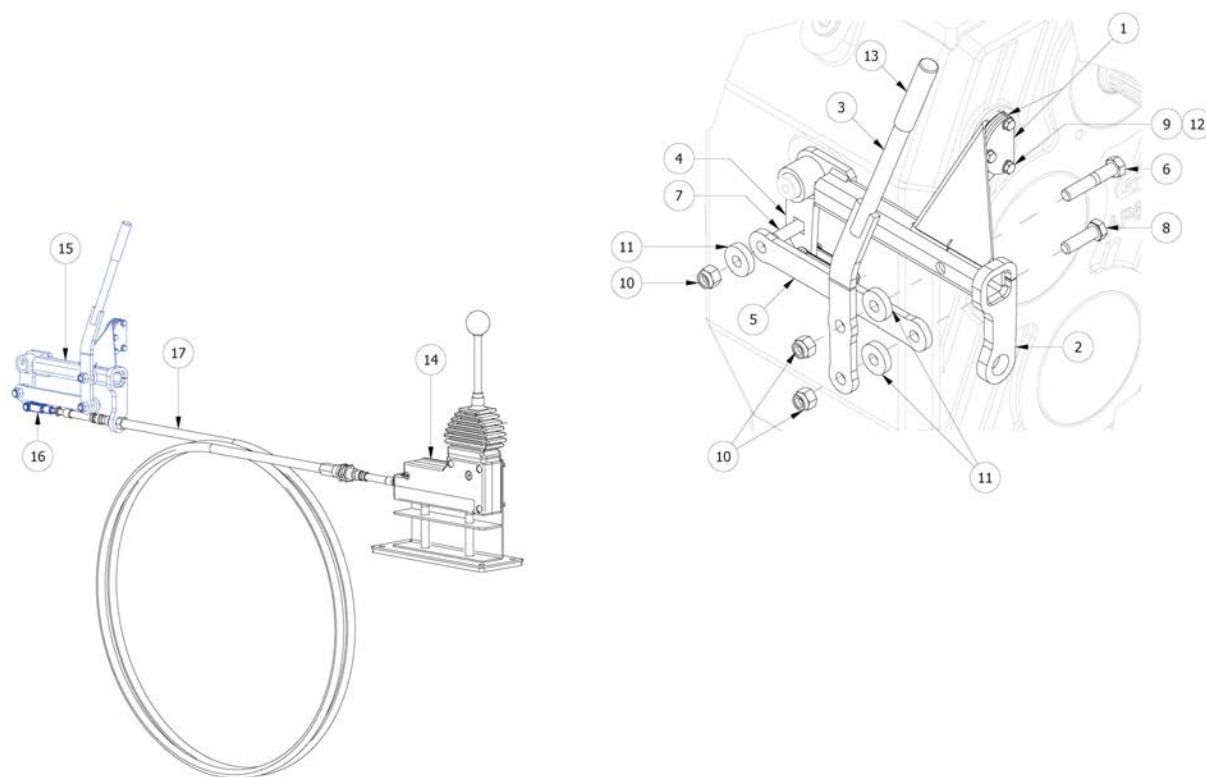


Pos	SKU	Description	Qty	Remark
1	AAB-007-01077	GEAR, 39T INTERMEDIATE	1	
2	AAB-007-01078	GEAR, 30T INPUT	1	
3	AAB-007-01079	GEAR, 45T INTERMEDIATE	1	
4	AAB-007-01080	GEAR, 25T INPUT	1	
5	AAB-007-01081	GEAR, 35T INPUT	1	
6	AAB-007-01082	GEAR, 35T INTERMEDIATE	1	
7	AAB-007-01083	GEAR, 35T OUTPUT	1	
8	AAB-007-01084	SHAFT, INPUT	1	
9	AAB-007-01085	SHAFT, INTERMEDIATE	1	
10	AAB-007-01086	SHAFT, OUTPUT	1	
11	AAB-007-01087	SHAFT, SHIFTER 0.750 STAINLESS	1	
12	AAB-007-01088	WASHER, INTERMEDIATE 3.2"	1	
13	AAB-007-01089	WASHER, OUTPUT - 2.555	1	
14	AAB-007-01090	WASHER, WAVE 0.752	2	
15	AAB-007-01091	CLUTCH, SHIFT COLLAR	1	
16	AAB-007-01092	HOUSING, OUTPUT SIDE	1	
17	AAB-007-01093	HOUSING, INPUT SIDE	1	

Pos	SKU	Description	Qty	Remark
18	AAB-007-01094	SLINGER, OIL (0 DEG.)	1	
19	AAB-007-01095	SLINGER, OIL (90 DEG.)	1	
20	AAB-007-01096	BALL, 6mm	2	
21	AAB-007-01097	SPRING, SHIFTER	2	
22	AAB-007-01098	BEARING, TAPER 110X50X29,25	6	
23	AAB-007-01099	RETAINING RING, WHM-450	6	
24	AAB-007-01100	BUSHING, OILITE AA1049-16	2	
25	AAB-007-01101	SEAL, OIL 110X50X10	2	
26	AAB-007-01102	RETAINING RING, 98585A115	2	
27	AAB-007-01103	SHIM, SET 90X110	6	
28	AAB-007-01104	SEAL, OIL	1	
29	AAB-007-01105	KEY, 5/8 X 7/16 X 11/16	3	
30	AAB-007-01106	PLATE, NAME-S/N WHITE	1	
31	AAB-007-01107	BREATHER, 3/8-16 BSPP, TMDV-DS/38	1	
32	AAB-007-01108	PLUG, MAGNETIC 3/8-18NPT SQ.HD	1	
33	AAB-007-01109	SEAL, END CAP 110X10	4	
34	AAB-007-01110	HHCS, M8X1.25 X 130 GRADE 8.8	11	
35	AAB-007-01111	FORK, SHIFTING	1	
36	AAB-007-01112	DOWEL, 1/4 X 7/8	2	
37	AAB-007-01113	WASHER, 0.781X1.625X0.161	2	
38	AAB-007-01114	TACK, NAME PLATE	2	
39	AAB-007-01115	3/8 NPT COUNTERSUNK HEX-HEAD PLUG	2	

2-SPEED REMOTE SHIFTER

AP502 & AP602 2-SPEED GEARBOXES

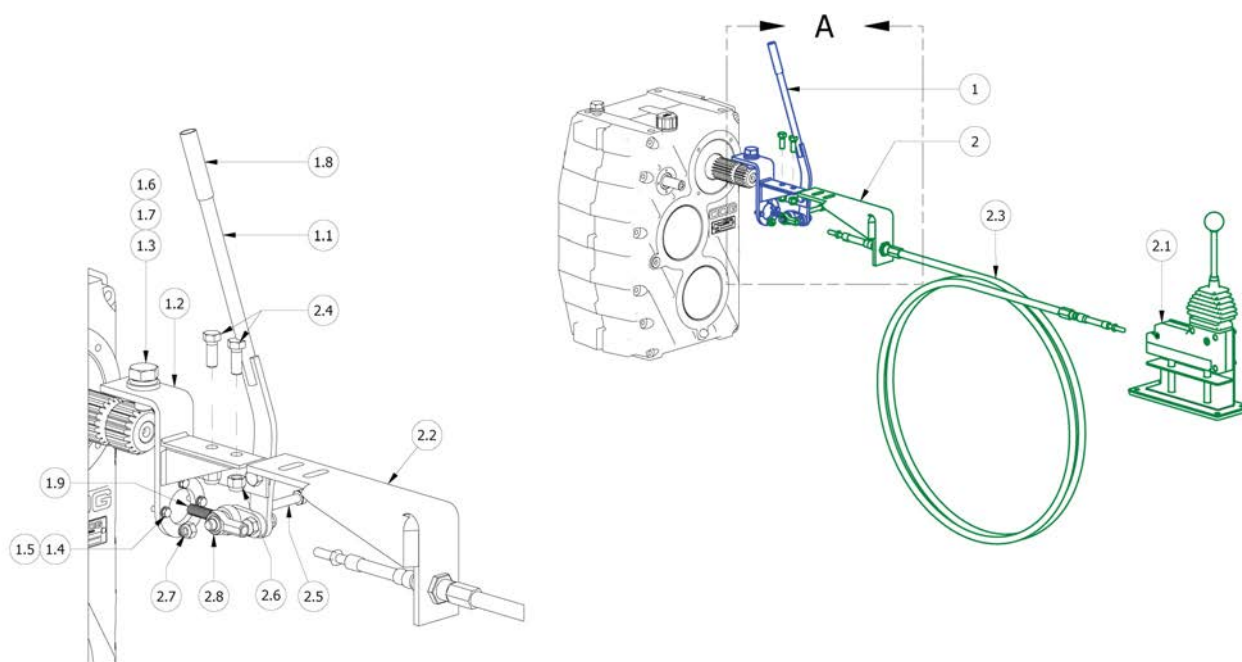


Pos	SKU	Description	Qty	Remark
1	AAA-007-00718	SS SPCR (REMOTE) SHIFTER AP502 & AP602 12GA	3	
2	AAA-007-00721-P3	2-SPD SHIFTER FRAME PAINTED	1	
3	AAA-007-00724-P3	SHIFTER HANDLE WELDMENT (PAINTED)	1	
4	AAA-007-00728-P3	2-SPD SHIFTER CRANK (PAINTED)	1	
5	AAA-007-00731-P3	CONNECTING ROD 2-SPD SHIFTER 1/4T (PAINTED)	1	
6	AAB-015-10057	BOLT HEX 3/8 X 2 GRD 2	1	
7	AAB-015-10060	BOLT CARRIAGE 3/8 X 1-1/4 UNC GRD 2	1	
8	AAB-015-10111	BOLT HEX 3/8 X 1-1/4 UNC GRD 5	1	
9	AAB-015-10165	M5-0.8 X 22MM DIN 933 CLASS 8.8 ZINC CAP SCREW (BOLT)	3	
10	AAB-015-20012	NUT HEX 3/8 LOCK NYLON GRD 2	3	
11	AAB-015-30032	WASHER BLACK NYLON 3/8ID X 1OD X 1/4T	3	
12	AAB-015-30040	M5 DIN 125 STL ZINC FLAT WSHR	3	
13	AAB-015-40009	GRIP ADJUSTMENT PIN VINYL 1/2 X 2-1/2	1	
14	AAA-007-00737	2 SPEED LEVER ASSEMBLY WITH MNT BRKT's	1	
15	AAA-007-00739	AP502/602 UPRIGHT/INVERTED SHIFTER KIT PARTS ORDER	1	

Pos	SKU	Description	Qty	Remark
16	AAB-007-00498	5/16 THREAD CLEVIS ASSY FOR TWO-SPEED SHIFTER KIT	1	
17	AAB-007-00738	CABLE ASSEMBLY FOR TWO-SPEED SHIFTER KIT	1	

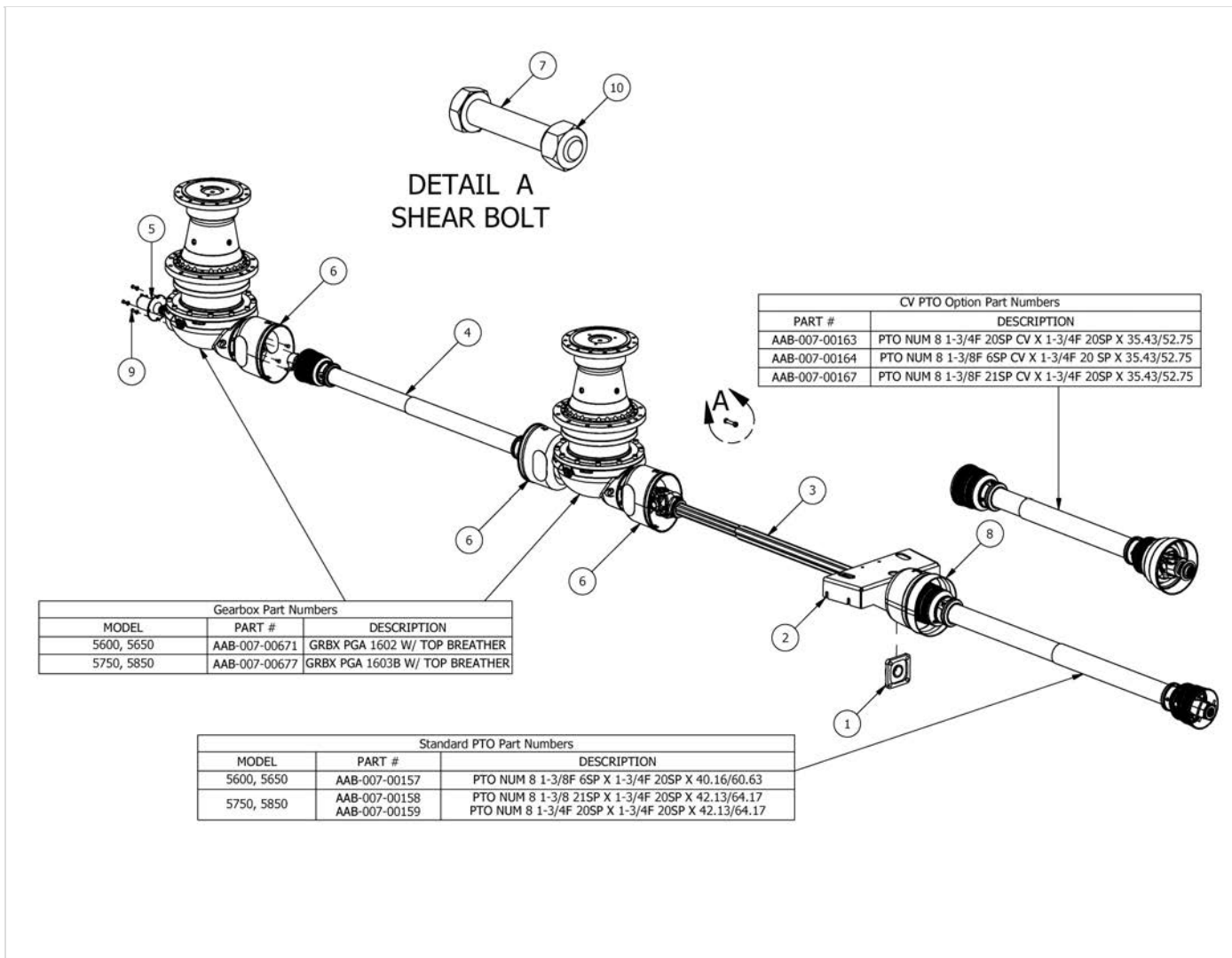
2-SPEED REMOTE SHIFTER

ODG 2-SPEED GEARBOXES



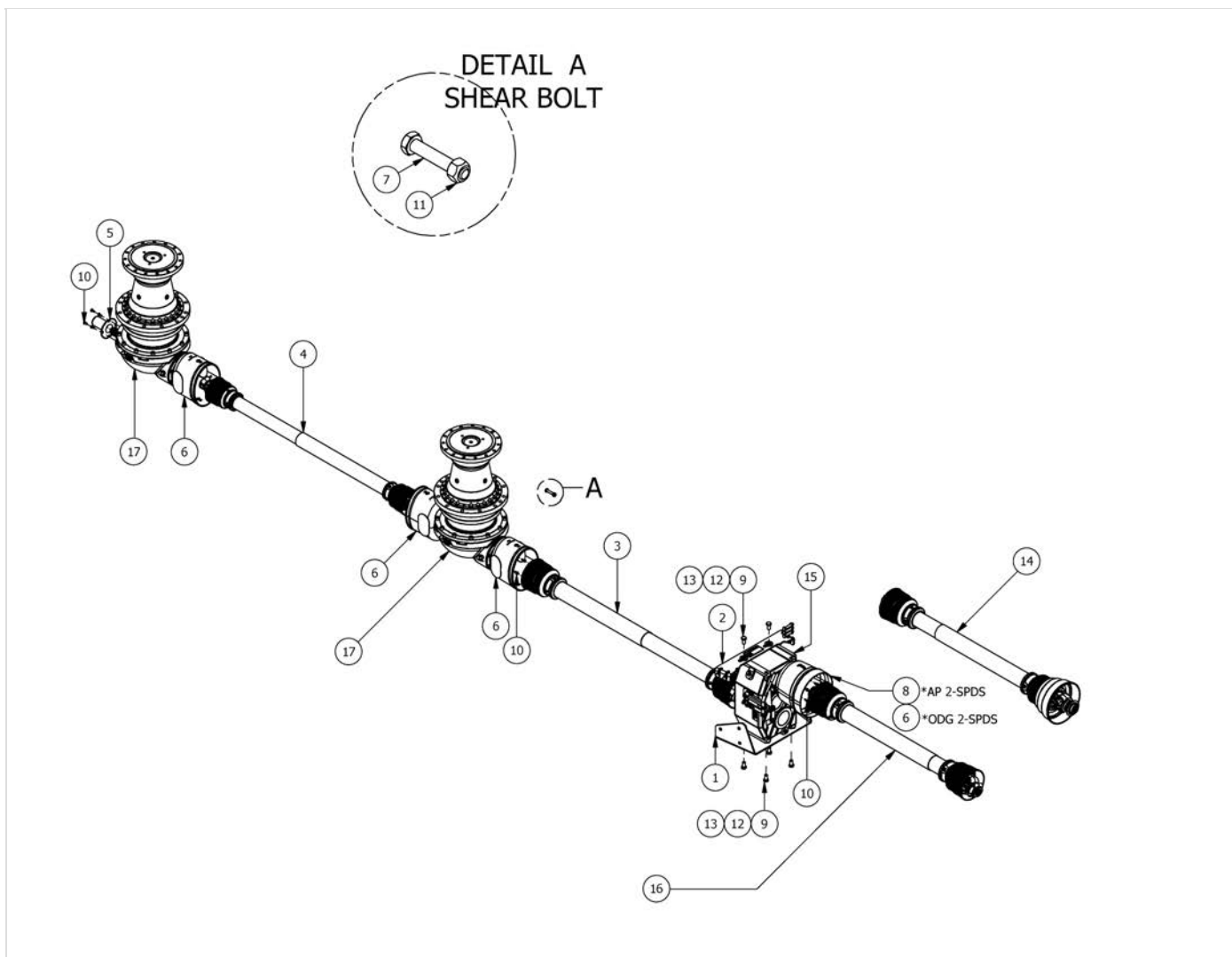
Pos	SKU	Description	Qty	Remark
1	AAA-007-00953	ODG 2-SPD SHIFTER KIT (PARTS ORDER)	1	
1.1	AAA-007-00724-P3	SHIFTER HANDLE WELDMENT (PAINTED)	1	
1.2	AAA-007-00915-P3	ODG 2 SPD SHIFTER MOUNT (PAINTED)	1	
1.3	AAB-015-10055	BOLT HEX 16MM X 30MM GRD 10.9	1	
1.4	AAB-015-10248	M5-0.8 X 16MM DIN 933 CLASS 8.8 ZINC CAP SCREW (BOLT)	4	
1.5	AAB-015-30040	M5 DIN 125 STL ZINC FLAT WSHR	4	
1.6	AAB-015-30043	WSHR FLAT HARDENED M16	1	
1.7	AAB-015-30053	WSHR LOCK M16	1	
1.8	AAB-015-40009	GRIP ADJUSTMENT PIN VINYL 1/2 X 2-1/2	1	
1.9	AAB-015-40041	MALE ROD END M10x1.5 RIGHT HAND	1	
2	AAA-007-00954	ODG 2-SPD REMOTE SHIFTER KIT (PARTS ORDER)	1	
2.1	AAA-007-00737	2 SPEED LEVER ASSEMBLY WITH MNT BRKT's	1	
2.2	AAA-007-00900-P3	2 SPD GRBX REMOTE SHIFTER MOUNT (PAINTED)	1	
2.3	AAB-007-00738	CABLE ASSEMBLY FOR TWO-SPEED SHIFTER KIT	1	
2.4	AAB-015-10056	BOLT HEX 3/8 X 1 UNC GRD 2	2	
2.5	AAB-015-10528	BOLT HEX 5/16 X 1-3/4 UNC GRD 5	1	

Pos	SKU	Description	Qty	Remark
2.6	AAB-015-20012	NUT HEX 3/8 LOCK NYLON GRD 2	2	
2.7	AAB-015-20035	NUT HEX 5/16-18 LOCK NYLON	1	
2.8	AAB-015-40014	FEMALE ROD END 5/16-24 UNF	1	



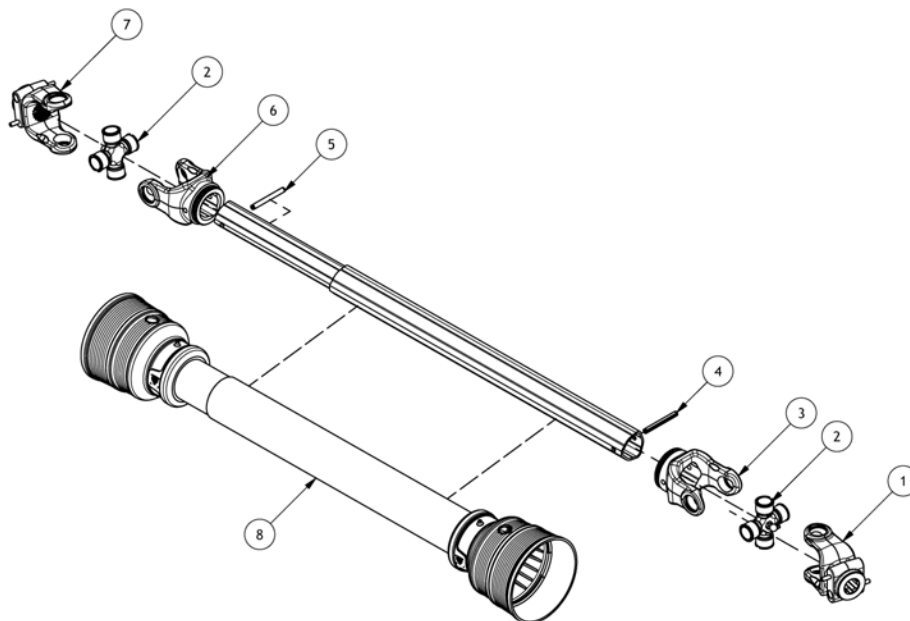
Pos	SKU	Description	Qty	Remark
1	AAB-007-00290	BRNG FLNG 1-3/4 UCF 20928	1	
2	AAA-002-01041-P3	MNT FLNG BRNG 5000 (BLACK)	1	
3	AAB-007-00160	PTO NUM 8 1-3/4M 20SP X 1-3/4F 20SP SB X 44.49/69.29	1	
4	AAB-007-00162	PTO NUM 6 1-3/4F 20SP X 1-3/4F 20SP X 51.57/80.31	1	
5	AAB-007-00171	SHIELD FOR REAR SHAFT ON THROUGH SHAFT GRBX	1	
6	AAB-007-00323	PTO COVER BLACK FOR DRIVESHAFT 275MM X217MM X 180MM	1	
7	AAB-007-00384	BOLT HEX 12MM X 65MM GRD 8.8	1	
8	AAB-007-00817	IICS/CONE BLACK WITH RUBR EXT (517000E03)	1	
9	AAB-015-10078	BOLT HEX 8MM X 16MM GRD 8.8	16	
10	AAB-015-20022	NUT ALL STL LOCK 12MM	1	
11	AAB-007-00163	PTO NUM 8 1-3/4 20SP CV X 1-3/4F 20SP X 35.43/52.75	1	
11	AAB-007-00164	PTO NUM 8 1-3/8F 6SP CV X 1-3/4F 20SP X 35.43/52.75	1	
11	AAB-007-00167	PTO NUM 8 1-3/8 21SP CV X 1-3/4F 20SP X 35.43/52.75	1	

Pos	SKU	Description	Qty	Remark
12	AAB-007-00671	GRBX PGA 1602/ 13.4:1/ 1-3/4 Z20/ TOP BREATHER	1	
12	AAB-007-00677	GRBX PGA 1603/ 25.89:1/ 1-3/4 Z20/ TOP BREATHER	1	
13	AAB-007-00157	PTO NUM 8 1-3/8F 6SP X 1-3/4F 20SP X 40.16/60.63	1	
13	AAB-007-00158	PTO NUM 8 1-3/8F 21SP X 1-3/4F 20SP X 42.13/64.17	1	
13	AAB-007-00159	PTO NUM 8 1-3/4F 20SP X 1-3/4F 20SP X 42.13/64.17	1	



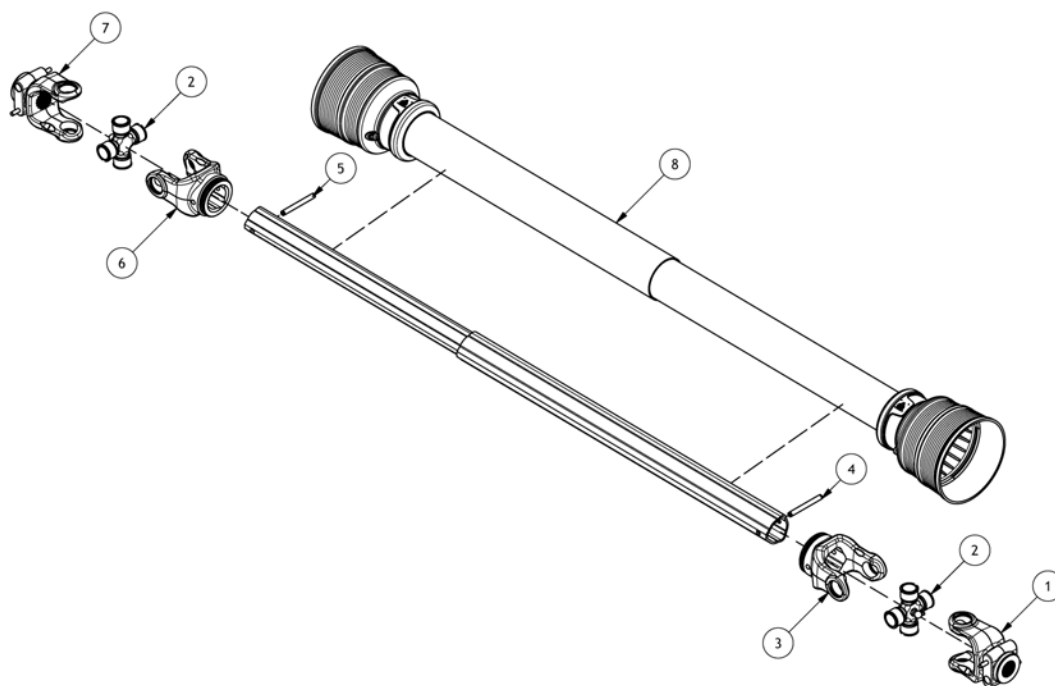
Pos	SKU	Description	Qty	Remark
1	AAA-007-00032-P3	MNT LWR 1/4T FOR 2 SPD (BLACK)	1	
2	AAA-007-00033-P3	MNT UPPR 1/4T FOR 2 SPD (BLACK)	1	
3	AAB-007-00161	PTO NUM 8 1-3/4F 20SP X 1-3/4F 20SP SB X 48.03/73.82	1	
5	AAB-007-00171	SHIELD FOR REAR SHAFT ON THROUGH SHAFT GRBX	1	
6	AAB-007-00323	PTO COVER BLACK FOR DRIVESHAFT 275MM X217MM X 180MM	3	ODG
7	AAB-007-00384	BOLT HEX 12MM X 65MM GRD 8.8	4	
4	AAB-007-00162	PTO NUM 6 1-3/4F 20SP X 1-3/4F 20SP X 51.57/80.31	1	
8	AAB-007-00817	IICS/CONE BLACK WITH RUBR EXT (517000E03)	1	AP502/AP602
9	AAB-015-10055	BOLT HEX 16MM X 30MM GRD 10.9	6	
10	AAB-015-10078	BOLT HEX 8MM X 16MM GRD 8.8	20	
11	AAB-015-20022	NUT ALL STL LOCK 12MM	4	
12	AAB-015-30019	WSHR LOCK 5/8	6	
13	AAB-015-30020	WSHR FLAT 5/8 USS	6	
14	AAB-007-00163	PTO NUM 8 1-3/4 20SP CV X 1-3/4F 20SP X 35.43/52.75	1	

Pos	SKU	Description	Qty	Remark
14	AAB-007-00164	PTO NUM 8 1-3/8F 6SP CV X 1-3/4F 20SP X 35.43/52.75	1	
14	AAB-007-00167	PTO NUM 8 1-3/8 21SP CV X 1-3/4F 20SP X 35.43/52.75	1	
15	AAA-007-00832-P3	GRBX 2 SPD AP 602 (1.3:1) PAINTED	1	
15	AAA-007-00833-P3	GRBX 2 SPD AP 602 (1.8:1) PAINTED	1	
15	AAA-007-00916-P3	GRBX 2 SPD 1.3:1 ODG (PAINTED)	1	
15	AAA-007-00917-P3	GRBX 2 SPD 1.8:1 ODG (PAINTED)	1	
16	AAB-007-00157	PTO NUM 8 1-3/8F 6SP X 1-3/4F 20SP X 40.16/60.63	1	MODEL: 5600, 5650
16	AAB-007-00158	PTO NUM 8 1-3/8F 21SP X 1-3/4F 20SP X 42.13/64.17	1	MODEL: 5750, 5850
16	AAB-007-00159	PTO NUM 8 1-3/4F 20SP X 1-3/4F 20SP X 42.13/64.17	1	MODEL: 5750, 5850
17	AAB-007-00671	GRBX PGA 1602/ 13.4:1/ 1-3/4 Z20/ TOP BREATHER	1	
17	AAB-007-00677	GRBX PGA 1603/ 25.89:1/ 1-3/4 Z20/ TOP BREATHER	1	



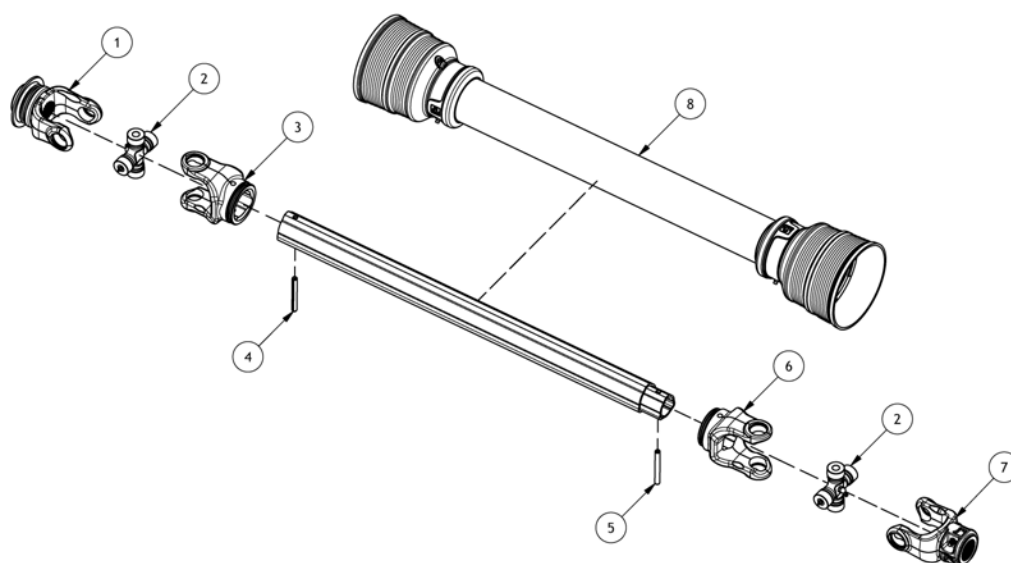
NOTE: TO ORDER ENTIRE DRIVESHAFT USE PART # AAB-007-00157

Pos	SKU	Description	Qty	Remark
1	AAB-007-00186	YOKE ASSEMBLY PUSH PIN TRACTOR NUM 8 1-3/8 Z6 (1028010)	1	
2	AAB-007-00190	CROSS ASSEMBLY NUM 8 (106.4MM x 34.9MM) (1008020)	2	
3	AAB-007-00191	OUTER TUBE YOKE NUM 8 (1708027)	1	
4	AAB-007-00193	10X90 1485DIN ROLL PIN (6331090)	1	
5	AAB-007-00193	10X90 1485DIN ROLL PIN (6331090)	1	
6	AAB-007-00194	INNER TUBE YOKE NUM 8 (1708029)	1	
7	AAB-007-00199	PTO YOKE NUM 8 1-3/4 Z20 (1028025)	1	
8	AAB-007-00286	COMPLETE PROTECTION NUM 8 (96SS8072)	1	
9	AAB-007-00157	PTO NUM 8 1-3/8F 6SP X 1-3/4F 20SP X 40.16/60.63	1	



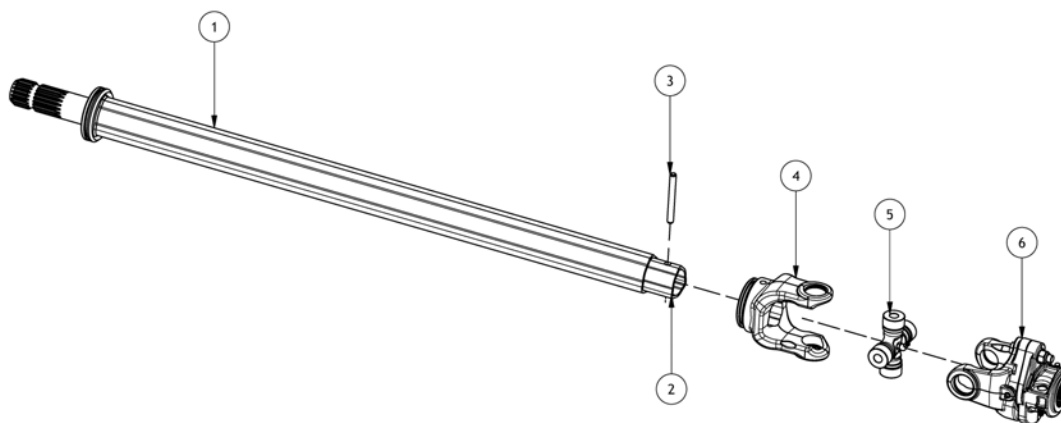
NOTE: TO ORDER ENTIRE DRIVESHAFT USE PART # AAB-007-00158

Pos	SKU	Description	Qty	Remark
1	AAB-007-00201	YOKE ASSEMBLY PUSH PIN TRACTOR NUM 8 1-3/8 Z21 (1028015)	1	
2	AAB-007-00190	CROSS ASSEMBLY NUM 8 (106.4MM x 34.9MM) (1008020)	2	
3	AAB-007-00191	OUTER TUBE YOKE NUM 8 (1708027)	1	
4	AAB-007-00193	10X90 1485DIN ROLL PIN (6331090)	1	
5	AAB-007-00193	10X90 1485DIN ROLL PIN (6331090)	1	
6	AAB-007-00194	INNER TUBE YOKE NUM 8 (1708029)	1	
7	AAB-007-00199	PTO YOKE NUM 8 1-3/4 Z20 (1028025)	1	
8	AAB-007-01348	COMPLETE PROTECTION NUM 8 (96SS8077)	1	
9	AAB-007-00158	PTO NUM 8 1-3/8F 21SP X 1-3/4F 20SP X 42.13/64.17	1	



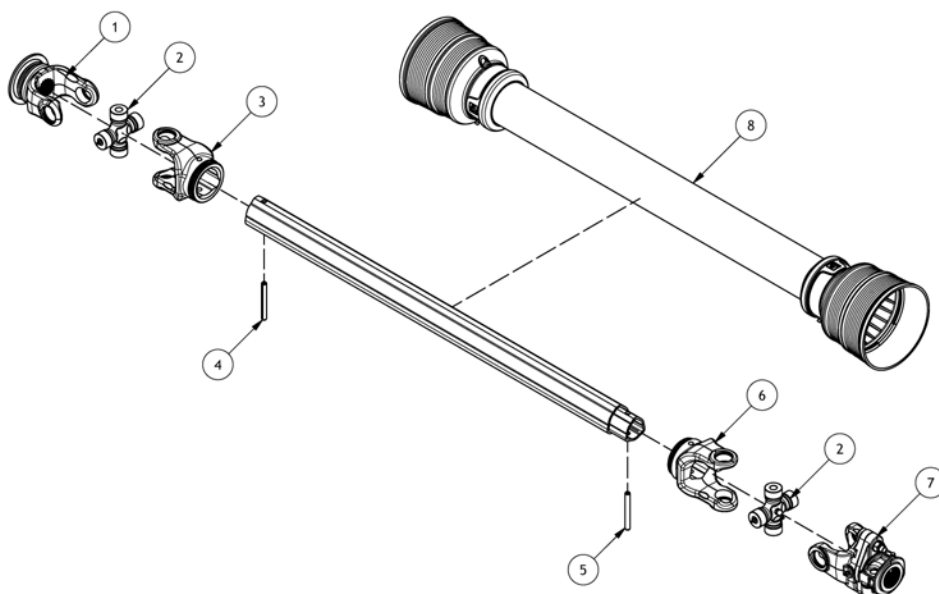
NOTE: TO ORDER ENTIRE DRIVESHAFT USE PART # AAB-007-00159

Pos	SKU	Description	Qty	Remark
1	AAB-007-01282	YOKE ASSEMBLY PULL COLLAR IMPLEMENT NUM 8 1-3/4 Z20 (1018028)	1	
2	AAB-007-00190	CROSS ASSEMBLY NUM 8 (106.4MM x 34.9MM) (1008020)	2	
3	AAB-007-00191	OUTER TUBE YOKE NUM 8 (1708027)	1	
4	AAB-007-00193	10X90 1485DIN ROLL PIN (6331090)	1	
5	AAB-007-00193	10X90 1485DIN ROLL PIN (6331090)	1	
6	AAB-007-00194	INNER TUBE YOKE NUM 8 (1708029)	1	
7	AAB-007-00199	PTO YOKE NUM 8 1-3/4 Z20 (1028025)	1	
8	AAB-007-01348	COMPLETE PROTECTION NUM 8 (96SS8077)	1	
9	AAB-007-00159	PTO NUM 8 1-3/4F 20SP X 1-3/4F 20SP X 42.13/64.17	1	



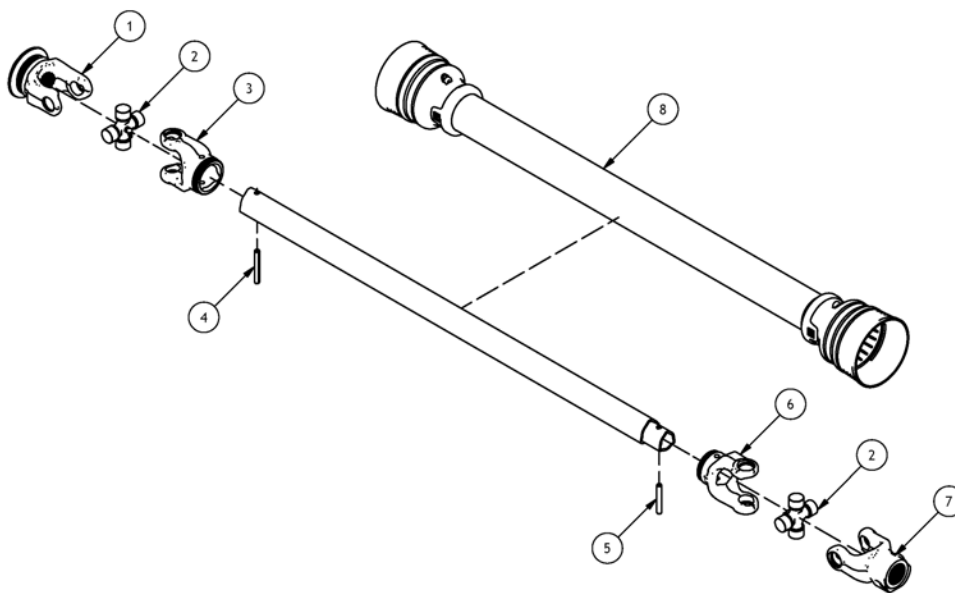
NOTE: TO ORDER ENTIRE DRIVESHAFT USE PART # AAB-007-00160

Pos	SKU	Description	Qty	Remark
1	AAB-007-01342	OUTER TUBE ASSEMBLY (1898098N320)	1	
2	AAB-007-01296	INNER TUBE (1528099)	1	
3	AAB-007-00177	10X80 1485DIN ROLL PIN NUM 6 (6331080)	1	
4	AAB-007-00194	INNER TUBE YOKE NUM 8 (1708029)	1	
5	AAB-007-00190	CROSS ASSEMBLY NUM 8 (106.4MM x 34.9MM) (1008020)	1	
6	AAB-007-00196	YOKE ASSEMBLY NUM 8 1-3/4 Z20 W/ SHEAR BOLT (1498234)	1	
7	AAB-007-00160	PTO NUM 8 1-3/4M 20SP X 1-3/4F 20SP SB X 44.49/69.29	1	



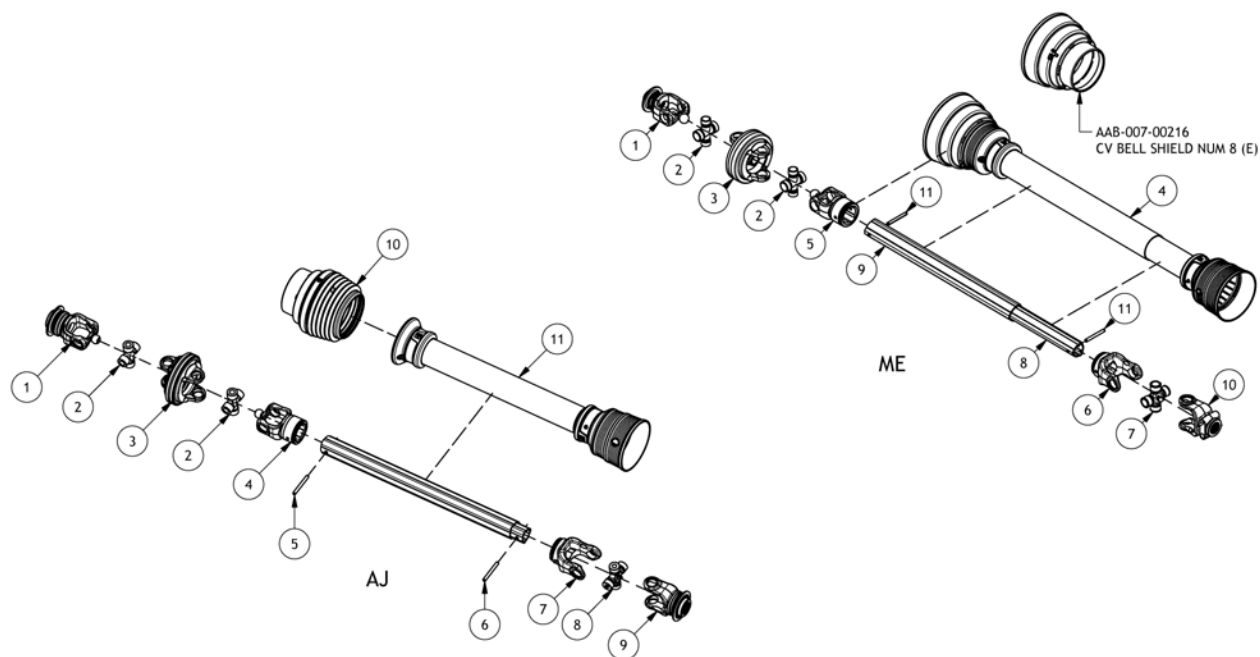
NOTE: TO ORDER ENTIRE DRIVESHAFT USE PART # AAB-007-00161

Pos	SKU	Description	Qty	Remark
1	AAB-007-01282	YOKE ASSEMBLY PULL COLLAR IMPLEMENT NUM 8 1-3/4 Z20 (1018028)	1	
2	AAB-007-00190	CROSS ASSEMBLY NUM 8 (106.4MM x 34.9MM) (1008020)	2	
3	AAB-007-00191	OUTER TUBE YOKE NUM 8 (1708027)	1	
4	AAB-007-00193	10X90 1485DIN ROLL PIN (6331090)	1	
5	AAB-007-00193	10X90 1485DIN ROLL PIN (6331090)	1	
6	AAB-007-00194	INNER TUBE YOKE NUM 8 (1708029)	1	
7	AAB-007-00196	YOKE ASSEMBLY NUM 8 1-3/4 Z20 W/ SHEAR BOLT (1498234)	1	
8	AAB-007-01349	COMPLETE PROTECTION NUM 8 (96SS8092)	1	
9	AAB-007-00161	PTO NUM 8 1-3/4F 20SP X 1-3/4F 20SP SB X 48.03/73.82	1	



NOTE: TO ORDER ENTIRE DRIVESHAFT USE PART # AAB-007-00162

Pos	SKU	Description	Qty	Remark
1	AAB-007-01281	YOKE ASSEMBLY PULL COLLAR TRACTOR NUM 6 1-3/4 Z20 (1016028)	1	
2	AAB-007-00183	CROSS ASSEMBLY NUM 6 (1006020)	2	
3	AAB-007-00184	OUTER TUBE YOKE NUM 6 (1706027)	1	
4	AAB-007-00177	10X80 1485DIN ROLL PIN NUM 6 (6331080)	1	
5	AAB-007-01240	10X70 1485DIN ROLL PIN (6331070)	1	
6	AAB-007-00173	INNER TUBE YOKE NUM 6 (1706029)	1	
7	AAB-007-00185	YOKE ASSEMBLY PUSH PIN IMPLEMENT NUM 6 1-3/4 Z20 (1026025)	1	
8	AAB-007-01343	COMPLETE PROTECTION (90SS6104)	1	
9	AAB-007-00162	PTO NUM 6 1-3/4F 20SP X 1-3/4F 20SP X 51.57/80.31	1	
10	AAB-007-01250	ANTIROTATION CHAIN (1006065)	1	NOT PICTURED

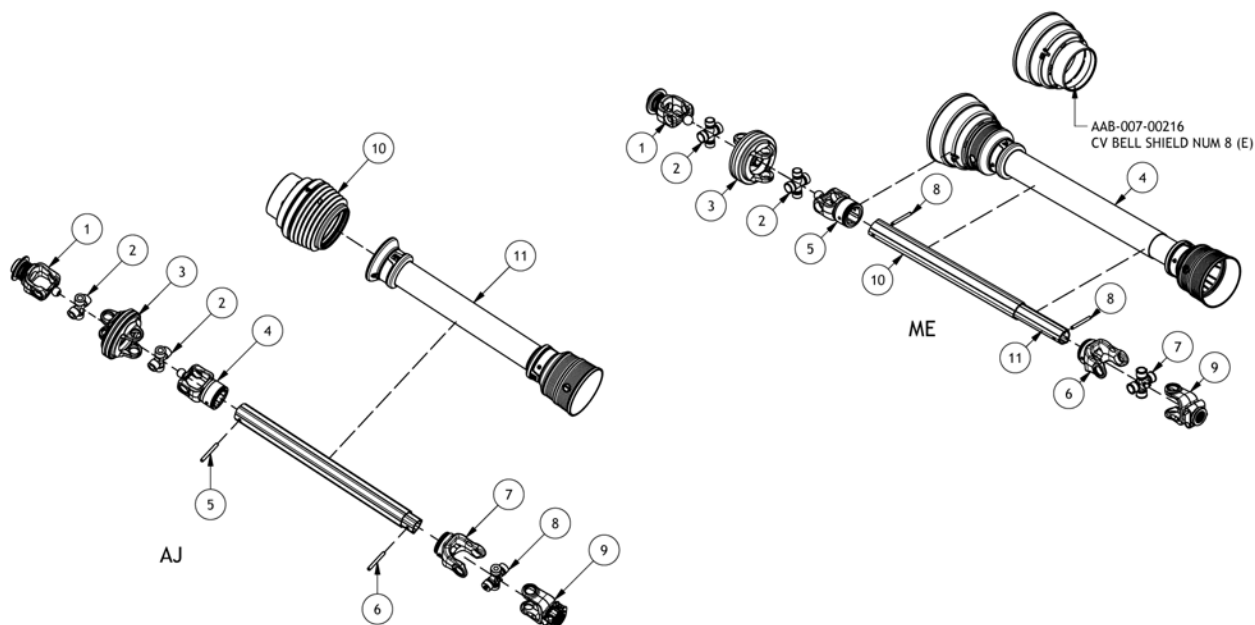


NOTE: TO ORDER ENTIRE DRIVESHAFT USE PART # AAB-007-00163

NOTE:
 FOR EUROCARDAN PTOs THE
 MANUFACTURER PART NUMBER ON THE
 PTO SHIELD MUST BE CHECKED.
 IF THE PART NUMBER BEGINS WITH ME,
 USE THE ME SERIES PARTS LIST.
 IF THE PART NUMBER BEGINS WITH AJ,
 USE THE AJ SERIES PARTS LIST.

Pos	SKU	Description	Qty	Remark
1-AJ	AAB-007-01135	OUTER G08 PULL COLLAR YOKE NUM 8 1-3/4 Z20 AJ (1018728)	1	
2-AJ	AAB-007-01176	G08 CROSS ASSEMBLY NUM 8 AJ (1008720)	2	
3-AJ	AAB-007-01178	HOMOKINETIC JOINT NUM 8 AJ (1008701)	1	
4-AJ	AAB-007-01177	OUTER TUBE HOMOKINETIC YOKE NUM 8 AJ (1008727)	1	
5-AJ, 6-AJ, 11-ME	AAB-007-00193	10X90 1485DIN ROLL PIN (6331090)	1	
7-AJ, 6-ME	AAB-007-00194	INNER TUBE YOKE NUM 8 (1708029)	1	
8-AJ, 7-ME	AAB-007-00190	CROSS ASSEMBLY NUM 8 (106.4MM x 34.9MM) (1008020)	1	
9-AJ, 10-ME	AAB-007-01282	YOKE ASSEMBLY PULL COLLAR IMPLEMENT NUM 8 1-3/4 Z20 (1018028)	1	
10-AJ	AAB-007-01341	WIDE ANGLE PROTECTION NUM 8 (9590801)	1	
11-AJ	AAB-007-01357	HALF OUTER PROTECTION NUM 8 AJ (97MS8065)	1	
1-ME	AAB-007-00215	CV YOKE NUM 8 1-3/4 Z20 (E) ()	1	
2-ME	aab-007-00212	CV CROSS KIT NUM 8 (E) ()	2	
3-ME	AAB-007-00288	CV PTO JOINT NUM 8 (E) (56661)	1	
4-ME	AAB-007-00436	CV SHIELD KIT NUM 8 (E) (65773)	1	
5-ME	AAB-007-00214	CV YOKE OUTER SHAFT NUM 8 (E) (56662)	1	

Pos	SKU	Description	Qty	Remark
8-ME	AAB-007-01306	INNER TUBE NUM 8 (1551076)	1	
9-ME	AAB-007-01303	OUTER TUBE NUM 8 (1550076)	1	
12-ME	AAB-007-00216	PTO CV BELL SHIELD NUM 8 (E)	1	
13	AAB-007-00163	PTO NUM 8 1-3/4 20SP CV X 1-3/4F 20SP X 35.43/52.75	1	

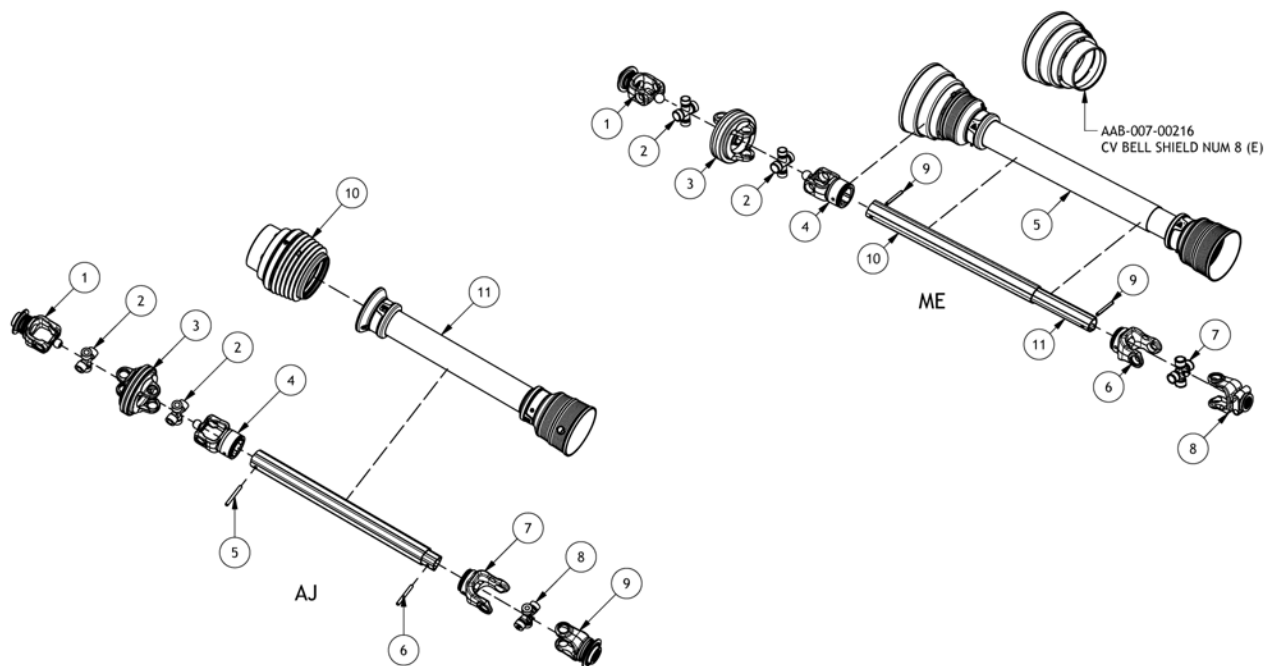


NOTE: TO ORDER ENTIRE DRIVESHAFT USE PART # AAB-007-00164

NOTE:
FOR EUROCARDAN PTOs THE
MANUFACTURER PART NUMBER ON THE
PTO SHIELD MUST BE CHECKED.
IF THE PART NUMBER BEGINS WITH ME,
USE THE ME SERIES PARTS LIST.
IF THE PART NUMBER BEGINS WITH AJ,
USE THE AJ SERIES PARTS LIST.

Pos	SKU	Description	Qty	Remark
1-AJ	AAB-007-01134	OUTER G08 PULL COLLAR YOKE NUM 8 1-3/8 Z6 AJ (1018713)	1	
2-AJ	AAB-007-01176	G08 CROSS ASSEMBLY NUM 8 AJ (1008720)	2	
3-AJ	AAB-007-01178	HOMOKINETIC JOINT NUM 8 AJ (1008701)	1	
4-AJ	AAB-007-01177	OUTER TUBE HOMOKINETIC YOKE NUM 8 AJ (1008727)	1	
5-AJ, 6-AJ, 8-ME	AAB-007-00193	10X90 1485DIN ROLL PIN (6331090)	1	
7-AJ, 6-ME	AAB-007-00194	INNER TUBE YOKE NUM 8 (1708029)	1	
8-AJ, 7-ME	AAB-007-00190	CROSS ASSEMBLY NUM 8 (106.4MM x 34.9MM) (1008020)	1	
9-AJ, 9-ME	AAB-007-00199	PTO YOKE NUM 8 1-3/4 Z20 (1028025)	1	
10-AJ	AAB-007-01341	WIDE ANGLE PROTECTION NUM 8 (9590801)	1	
11-AJ	AAB-007-01356	HALF OUTER PROTECTION NUM 8 AJ (97MS8060)	1	
1-ME	AAB-007-00213	CV YOKE NUM 8 1-3/8 Z6 (E) (1008875)	1	
2-ME	aab-007-00212	CV CROSS KIT NUM 8 (E) ()	2	
3-ME	AAB-007-00288	CV PTO JOINT NUM 8 (E) (56661)	1	
4-ME	AAB-007-00436	CV SHIELD KIT NUM 8 (E) (65773)	1	
5-ME	AAB-007-00214	CV YOKE OUTER SHAFT NUM 8 (E) (56662)	1	

Pos	SKU	Description	Qty	Remark
10-ME	AAB-007-01302	OUTER TUBE NUM 8 (1550071)	1	
11-ME	AAB-007-01305	INNER TUBE NUM 8 (1551071)	1	
12-ME	AAB-007-00216	PTO CV BELL SHIELD NUM 8 (E)	1	
13	AAB-007-00164	PTO NUM 8 1-3/8F 6SP CV X 1-3/4F 20SP X 35.43/52.75	1	

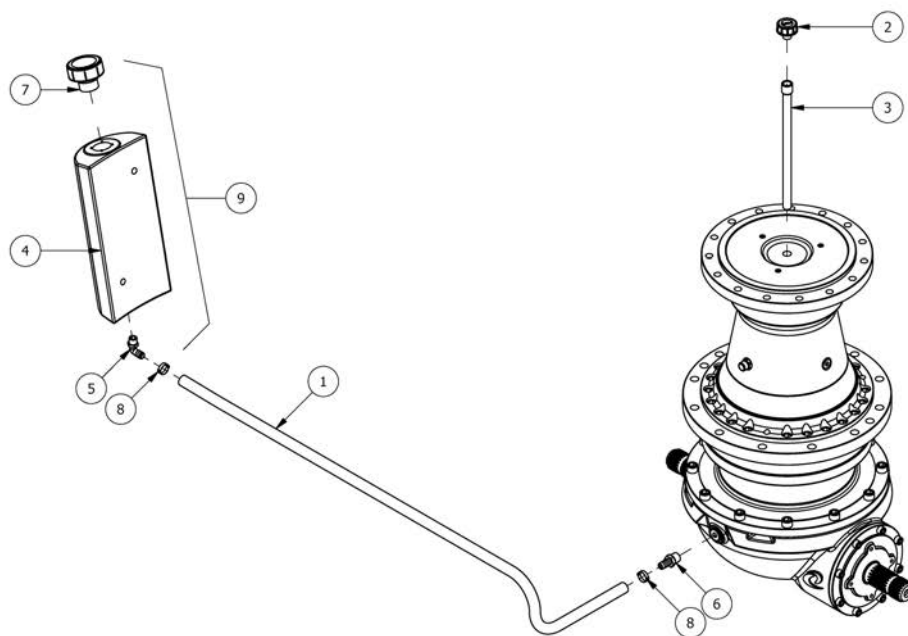


NOTE: TO ORDER ENTIRE DRIVESHAFT USE PART # AAB-007-00167

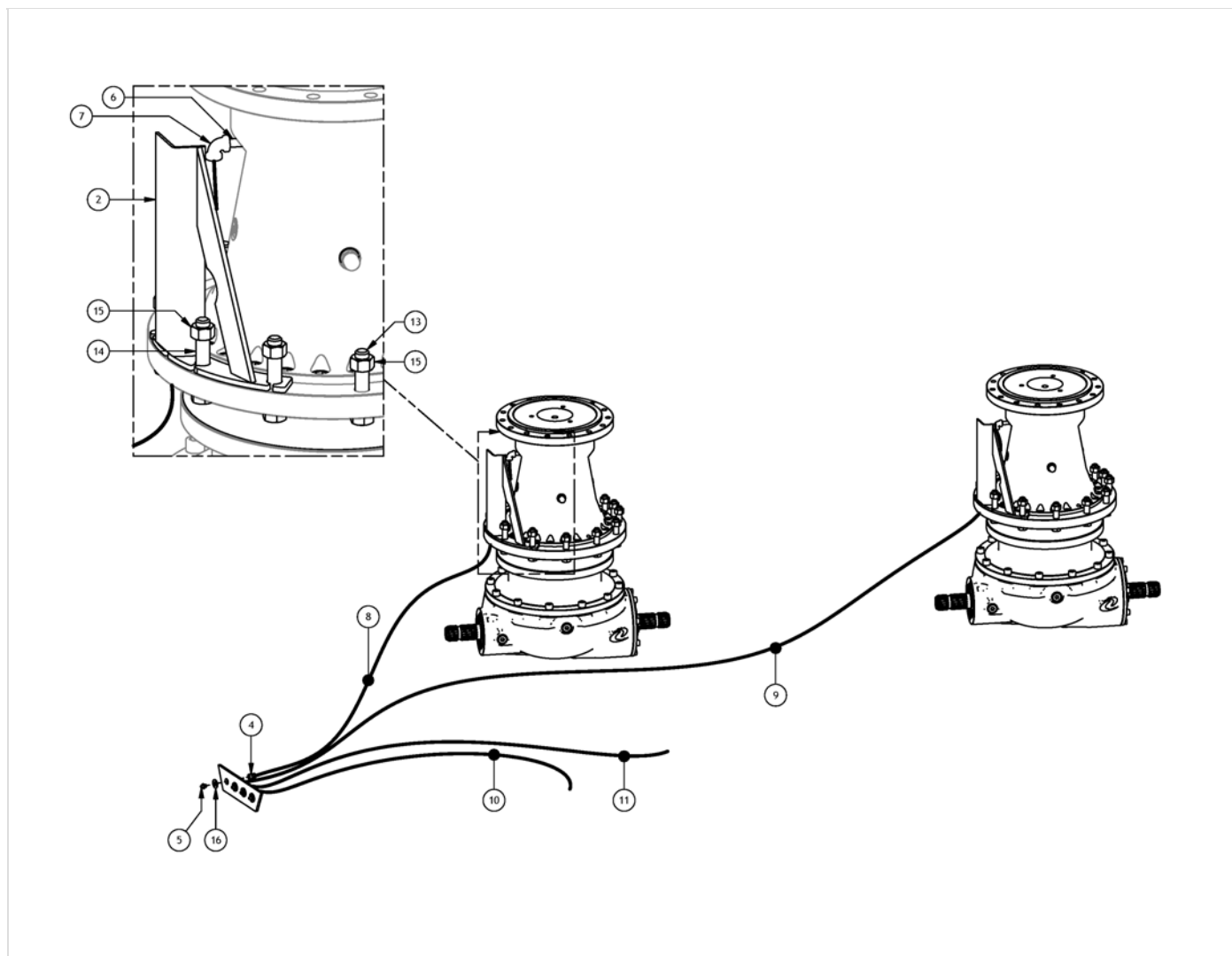
NOTE:
FOR EUROCARDAN PTOs THE
MANUFACTURER PART NUMBER ON THE
PTO SHIELD MUST BE CHECKED.
IF THE PART NUMBER BEGINS WITH ME,
USE THE ME SERIES PARTS LIST.
IF THE PART NUMBER BEGINS WITH AJ,
USE THE AJ SERIES PARTS LIST.

Pos	SKU	Description	Qty	Remark
1-AJ	AAB-007-01133	OUTER G08 PULL COLLAR YOKE NUM 8 1-3/8 Z21 AJ (1018718)	1	
2-AJ	AAB-007-01176	G08 CROSS ASSEMBLY NUM 8 AJ (1008720)	2	
3-AJ	AAB-007-01178	HOMOKINETIC JOINT NUM 8 AJ (1008701)	1	
4-AJ	AAB-007-01177	OUTER TUBE HOMOKINETIC YOKE NUM 8 AJ (1008727)	1	
5-AJ, 6-AJ, 9-ME	AAB-007-00193	10X90 1485DIN ROLL PIN (6331090)	1	AJ SERIES
7-AJ, 6-ME	AAB-007-00194	INNER TUBE YOKE NUM 8 (1708029)	1	
8-AJ, 7-ME	AAB-007-00190	CROSS ASSEMBLY NUM 8 (106.4MM x 34.9MM) (1008020)	1	
9-AJ, 8-ME	AAB-007-01282	YOKE ASSEMBLY PULL COLLAR IMPLEMENT NUM 8 1-3/4 Z20 (1018028)	1	
10-AJ	AAB-007-01341	WIDE ANGLE PROTECTION NUM 8 (9590801)	1	
11-AJ	AAB-007-01132	HALF OUTER PROTECTION NUM 8 AJ (97MS8059)	1	
1-ME	AAB-007-00386	CV YOKE NUM 8 1-3/8 Z21 (E) (56659)	1	
2-ME	aab-007-00212	CV CROSS KIT NUM 8 (E) ()	2	
3-ME	AAB-007-00288	CV PTO JOINT NUM 8 (E) (56661)	1	
4-ME	AAB-007-00214	CV YOKE OUTER SHAFT NUM 8 (E) (56662)	1	
5-ME	AAB-007-00436	CV SHIELD KIT NUM 8 (E) (65773)	1	

Pos	SKU	Description	Qty	Remark
10-ME	AAB-007-00217	OUTER TUBE NUM 8 (1550070)	1	
11-ME	AAB-007-01304	INNER TUBE NUM 8 (1551070)	1	
12-ME	AAB-007-00216	PTO CV BELL SHIELD NUM 8 (E)	1	
13	AAB-007-00167	PTO NUM 8 1-3/8 21SP CV X 1-3/4F 20SP X 35.43/52.75	1	

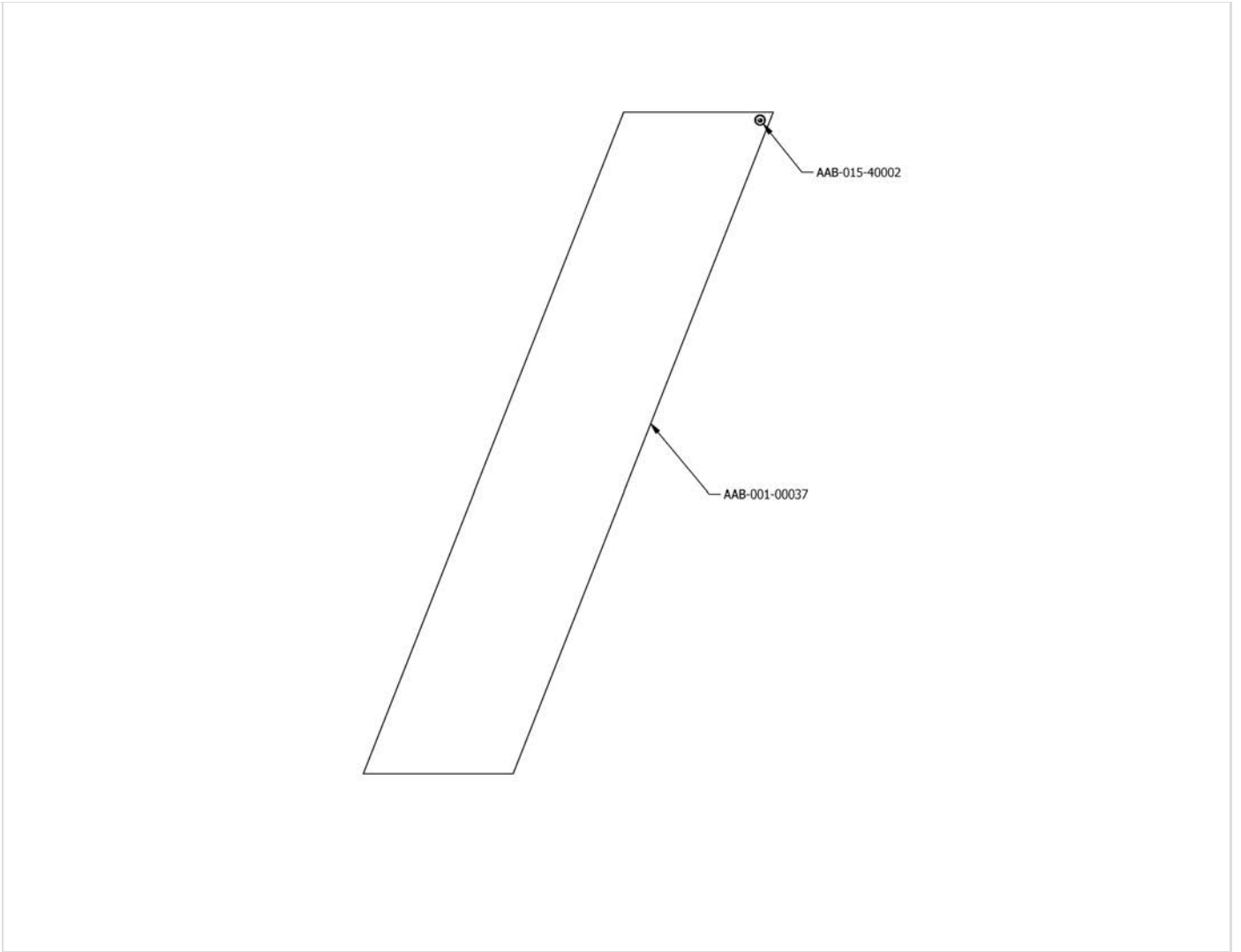


Pos	SKU	Description	Qty	Remark
1	AAA-008-00092	5000 SERIES OIL RESERVOIR HOSE 1/2" X 120"L	1	
2	AAB-008-00034	BREATHER OPEN 40 MICRON 3/8 NPT	1	
3	AAB-008-00124	STL BREATHER EXTENSION 12L (MALE 3/8G - 6 FNPT)	1	
4	AAB-008-00125	GRBX RESERVOIR 5000 SERIES	1	
5	AAB-008-00126	1/2" MPT X 1/2" BARB 90 DEGREE WHITE NYLON FITTING	1	
6	AAB-008-00127	FIT 8 MNPT X 1/2" BARB	1	
7	AAB-008-00137	BREATHER OPEN 40 MICRON 1-1/4 NPT	1	
8	AAB-015-40024	CLAMP TWO EAR SIZE 22 (FOR 1/2" HOSE)	2	
9	AAA-008-00091	GRBX RESERVOIR ASSEMBLY 5000 SERIES	1	

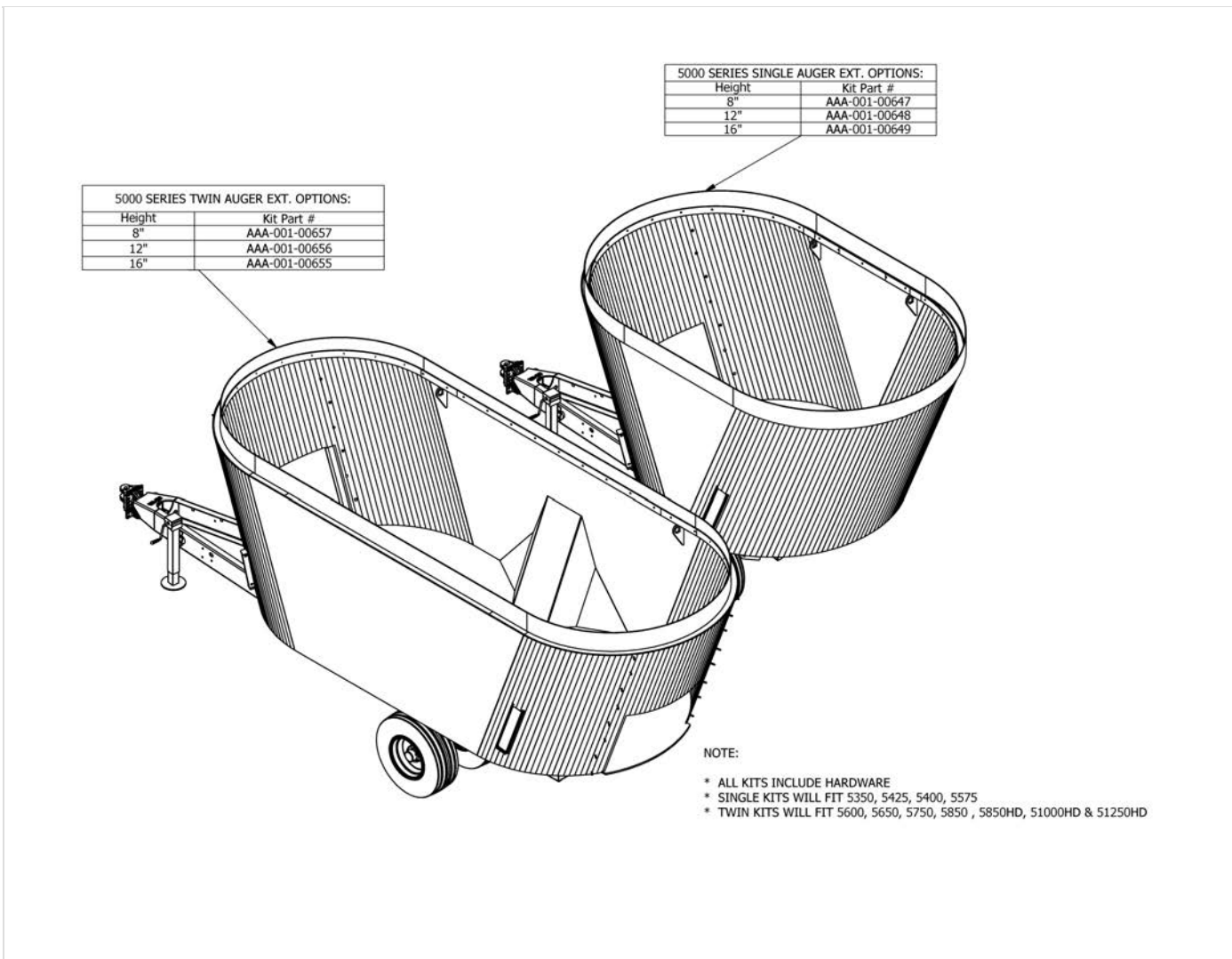


Pos	SKU	Description	Qty	Remark
1	AAA-001-01391	CENTRAL GREASE PLATE TWINS 1/4T	1	
2	AAA-008-00007	INTERNAL GREASE LINE PROTECTOR ASSY	2	
3	AAB-007-00146	GRBX PGA 1602VM - 13.4 - CC480 1 3/4-Z20-C	2	
4	AAB-008-00030	FIT 2 FNPT X 2 FNPT	4	
5	AAB-008-00031	FIT GREASE NIPPLE X 2 MNPT	4	
6	AAB-008-00108	PIPE NIPPLE 1/8 MNPT X 1-1/2	2	
7	AAB-008-00109	FIT 90DEG 1/8 FNPT X 1/8 FNPT	2	
8	AAB-008-00129	CTRL GREASE LINE FRT GRBX 2 MNPT X 2MNPT X 102L / SAE100R7 THERMAL PLASTIC	1	
9	AAB-008-00130	CTRL GREASE LINE REAR GRBX 2MNPT X 2MNPT X 220L / SAE100R7 THERMAL PLASTIC	1	
10	AAB-008-00131	CTRL GREASE LINE LTH WB 2MNPT X 2MNPT X 162L / SAE100R7 THERMAL PLASTIC	1	
11	AAB-008-00132	CTRL GREASE LINE RTH WB 2MNPT X 2MNPT X 198L SAE100R7 THERMAL PLASTIC	1	
12	AAB-012-00111	DECAL CENTRAL GREASE TWIN MODELS	1	
13	AAB-015-10040	BOLT HEX 5/8 X 3 UNC GRD 8	20	
14	AAB-015-10095	BOLT HEX 5/8 X 3-1/2 UNC GRD 8	6	
15	AAB-015-20013	NUT HEX 5/8 UNC GRD 5	26	

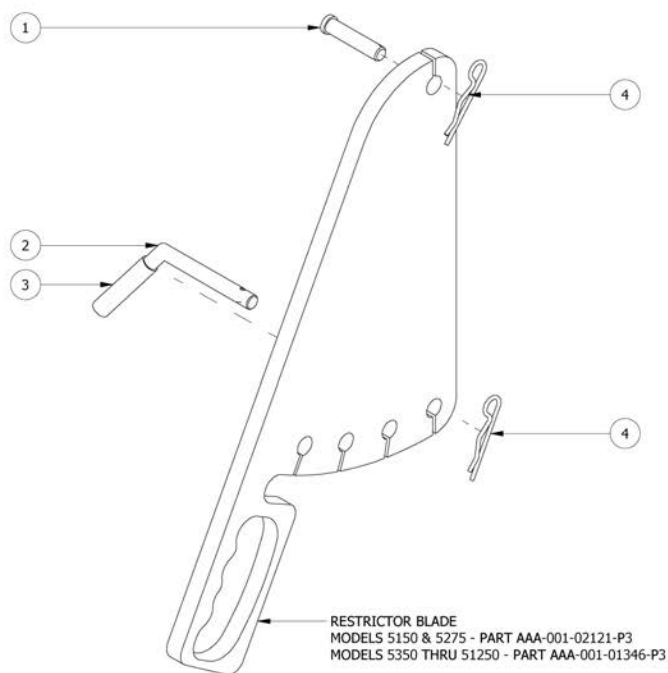
Pos	SKU	Description	Qty	Remark
16	AAB-015-30012	WSHR FLAT 3/8 USS	4	



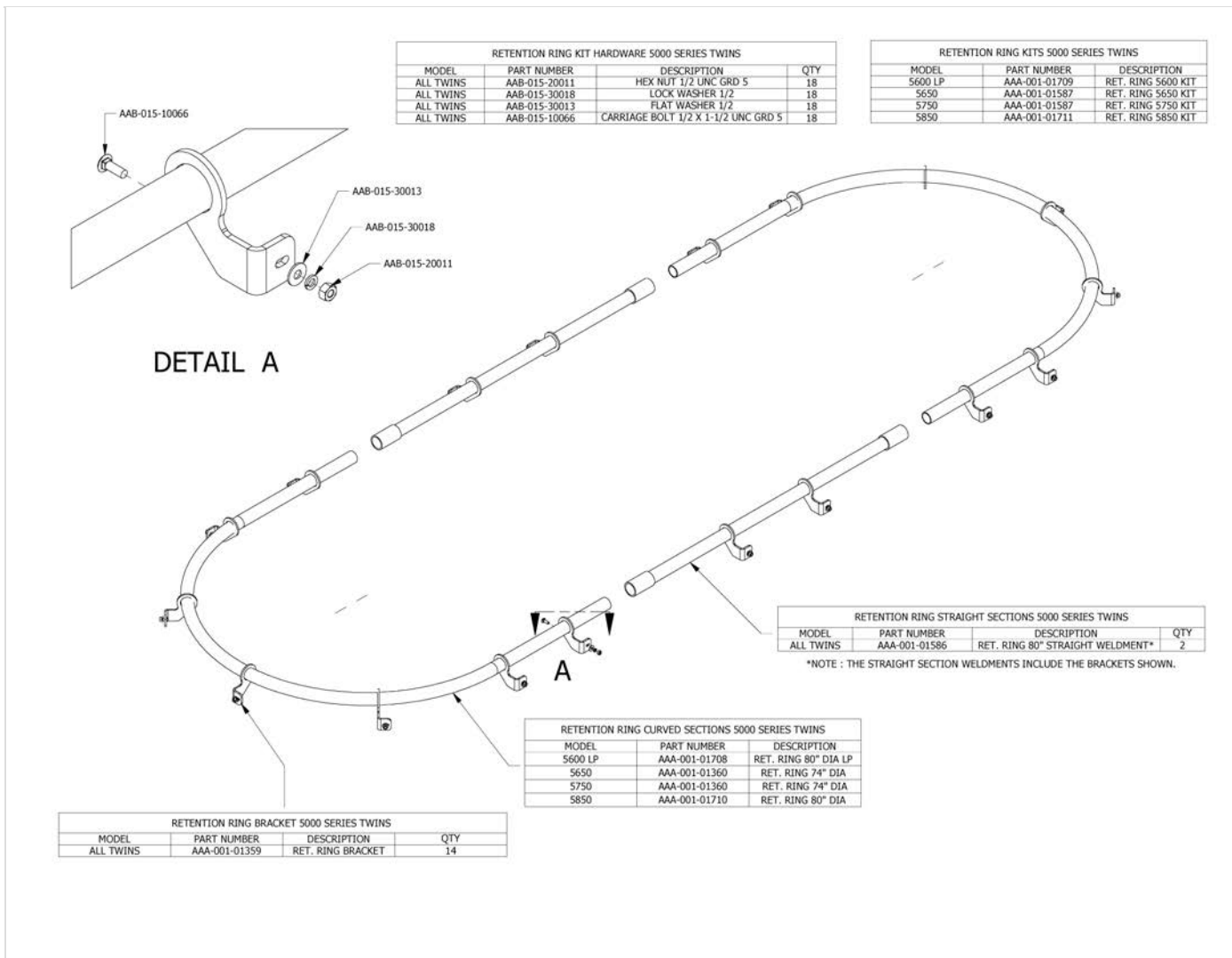
Pos	SKU	Description	Qty	Remark
1	AAB-015-40002	SCREW HEX #10-16 X 1/2	1	
2	AAB-001-00037	WNDW VIEWING	1	



Pos	SKU	Description	Qty	Remark
1	AAA-001-00655	KIT TWIN AUGER 16" DRUM EXT. UV STABILIZED HDPE BLACK	1	
1	AAA-001-00656	KIT TWIN AUGER 12" DRUM EXT. UV STABILIZED HDPE BLACK	1	
1	AAA-001-00657	KIT TWIN AUGER 8" DRUM EXT. UV STABILIZED HDPE BLACK	1	
2	AAA-001-00647	KIT SINGLE AUGER 8" DRUM EXT. UV STABILIZED HDPE BLACK	1	
2	AAA-001-00648	KIT SINGLE AUGER & 5275 TWIN 12" DRUM EXT. UV STABILIZED HDPE BLACK	1	
2	AAA-001-00649	KIT SINGLE AUGER 16" DRUM EXT. UV STABILIZED HDPE BLACK	1	



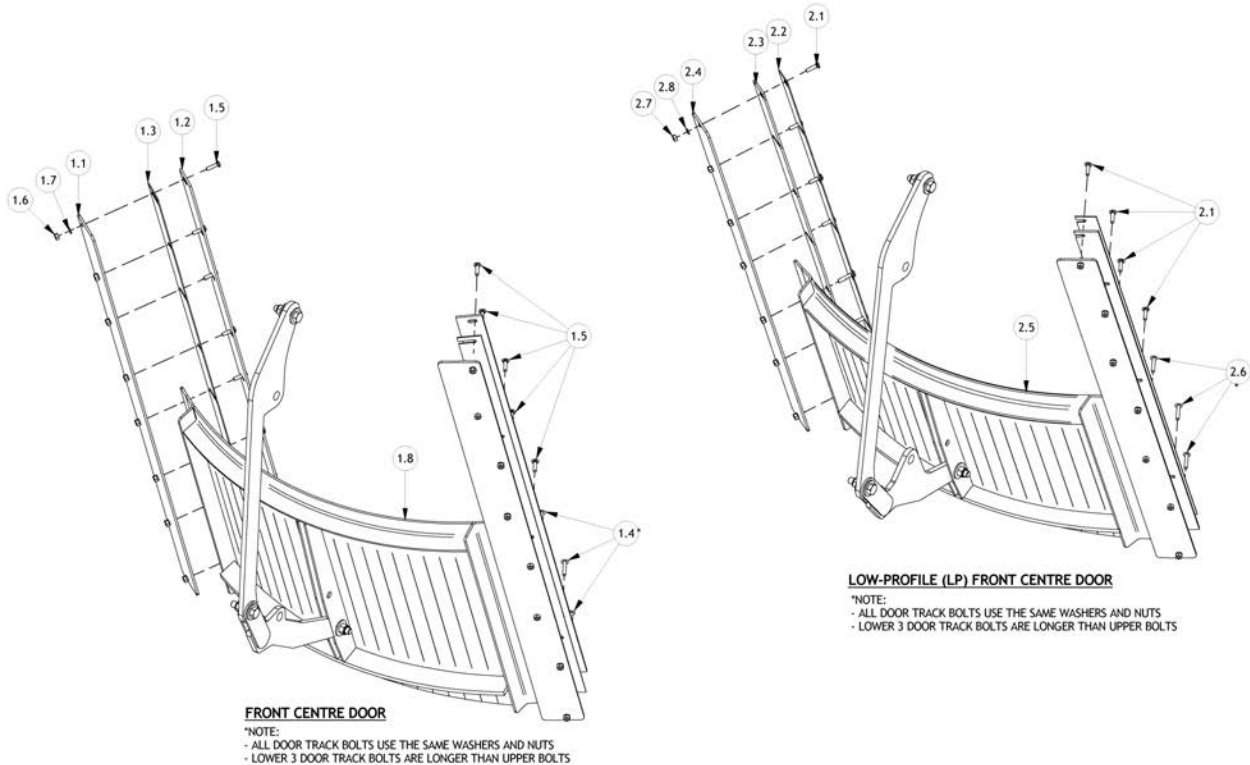
Pos	SKU	Description	Qty	Remark
1	AAB-001-00017	PIN PIVOT 1/2 X 2	1	
2	AAB-001-00020	PIN BENT ADJUSTMENT 1/2 X 3-5/8 FOR RB	1	
3	AAB-015-40009	GRIP ADJUSTMENT PIN VINYL 1/2 X 2-1/2	1	
4	AAB-001-00019	PIN HTCH CLIP 1/8 X 2-9/16	2	
5	AAA-001-01346-P3	RB 5000 SERIES (PAINTED)	1	MODEL: 5350 THRU 51250HD
5	AAA-001-02121-P3	RB (5150/5275) (PAINTED)	1	MODEL: 5150, 5275



Pos	SKU	Description	Qty	Remark
1	AAB-015-10066	BOLT CARRIAGE 1/2 X 1-1/2 UNC GRD 5	18	
1	AAB-015-20011	NUT HEX 1/2 UNC GRD 5	18	
1	AAB-015-30013	WSHR FLAT 1/2 USS	18	
1	AAB-015-30018	WSHR LOCK 1/2	18	
2	AAA-001-01587	RET. RING 5650 & 5750 KIT	1	
2	AAA-001-01709	RET. RING 5600 KIT	1	
2	AAA-001-01711	RET. RING 5850 KIT	1	
3	AAA-001-01586	RET. RING 80" STRAIGHT W/ BRKTS WELDMENT	2	
4	AAA-001-01360	RET.RING 74" DIA TWIN (EXT.L 172.18") (5650 & 5750)	2	
4	AAA-001-01708	RET. RING 80" DIA TWIN (EXT. L 185.5") (5600)	2	
4	AAA-001-01710	RET. RING 80" DIA TWIN (EXT. L 197") (5850)	2	
5	AAA-001-01359	RET. RING BRKT 3/8T	14	

REFERENCE TABLES

ITEM 1.8 - FRONT CENTRE DOOR PANEL		ITEM 2.5 - LP FRONT CENTRE DOOR PANEL	
MODEL	PART NUMBER	MODEL	PART NUMBER
5350	AAA-001-00813	5400	AAA-001-01660
5425	AAA-001-00767	5600	AAA-001-01676
5575	AAA-001-00814		
5650	AAA-001-00813		
5750	AAA-001-00813		
5850	AAA-001-00767		
5750HD	AAA-001-00813		
5850HD	AAA-001-00767		
51000HD	AAA-001-00814		
51250HD	AAA-001-00814		

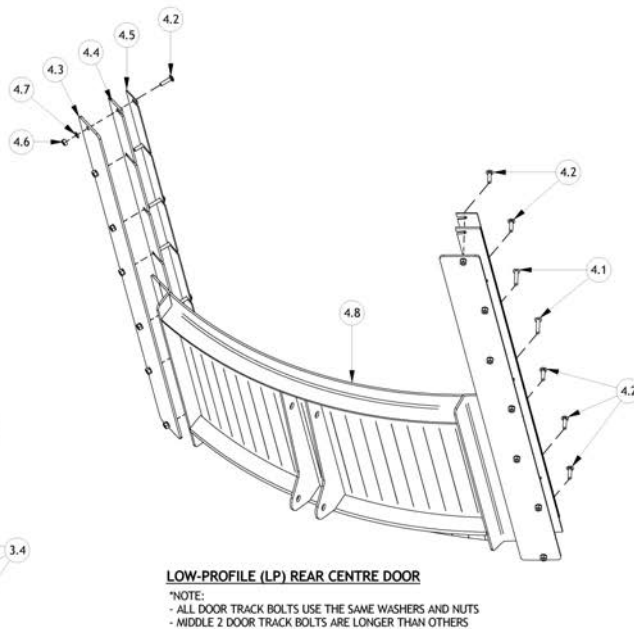
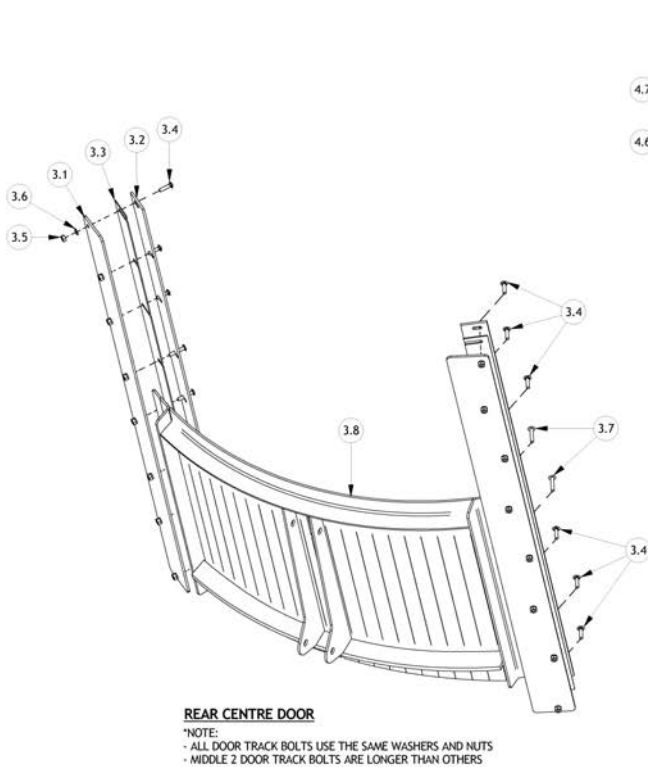


Pos	SKU	Description	Qty	Remark
1.1	AAA-001-00857	OUTER DOOR TRACK 1/4T X 67H	2	
1.2	AAA-001-00860	INNER DOOR SPCR 1/4T X 67H	2	
1.3	AAA-001-00859	INNER DOOR SPCR 1/8T X 67H	2	
1.4	AAB-015-10081	BOLT CARRIAGE 3/8 X 2 UNC GRD 5	6	
1.5	AAB-015-10061	BOLT CARRIAGE 3/8 X 1-1/2 UNC GRD 5	10	
1.6	AAB-015-20017	NUT HEX 3/8 UNC GRD 2	16	
1.7	AAB-015-30017	WSHR LOCK 3/8	16	
1.8	AAA-001-00767	DRUM DOOR FRT 96DIA (PARTS ORDER)	1	MODEL: 5425, 5850, 5850HD
1.8	AAA-001-00813	DRUM DOOR FRT 90DIA (PARTS ORDER)	1	MODEL: 5350, 5650, 5750, 5750HD
1.8	AAA-001-00814	DRUM DOOR FRT 102DIA (PARTS ORDER)	1	MODEL: 5575, 51000HD, 51250HD
2.1	AAB-015-10061	BOLT CARRIAGE 3/8 X 1-1/2 UNC GRD 5	8	
2.2	AAA-001-01377	INNER DOOR SPCR 1/8T X 58.5H	2	
2.3	AAA-001-01378	INNER DOOR SPCR 1/4T X 58.5	2	
2.4	AAA-001-01376	OUTER DOOR TRACK 1/4T X 58.5H	2	

Pos	SKU	Description	Qty	Remark
2.5	AAA-001-01660	DRUM DOOR WELDMENT LP FRT 101.5" DIA (PAINTED)	1	MODEL:5400
2.5	AAA-001-01676	96" LP FRONT DOOR (PARTS ORDER)	1	MODEL:5600
2.6	AAB-015-10081	BOLT CARRIAGE 3/8 X 2 UNC GRD 5	6	
2.7	AAB-015-20017	NUT HEX 3/8 UNC GRD 2	14	
2.8	AAB-015-30017	WSHR LOCK 3/8	14	

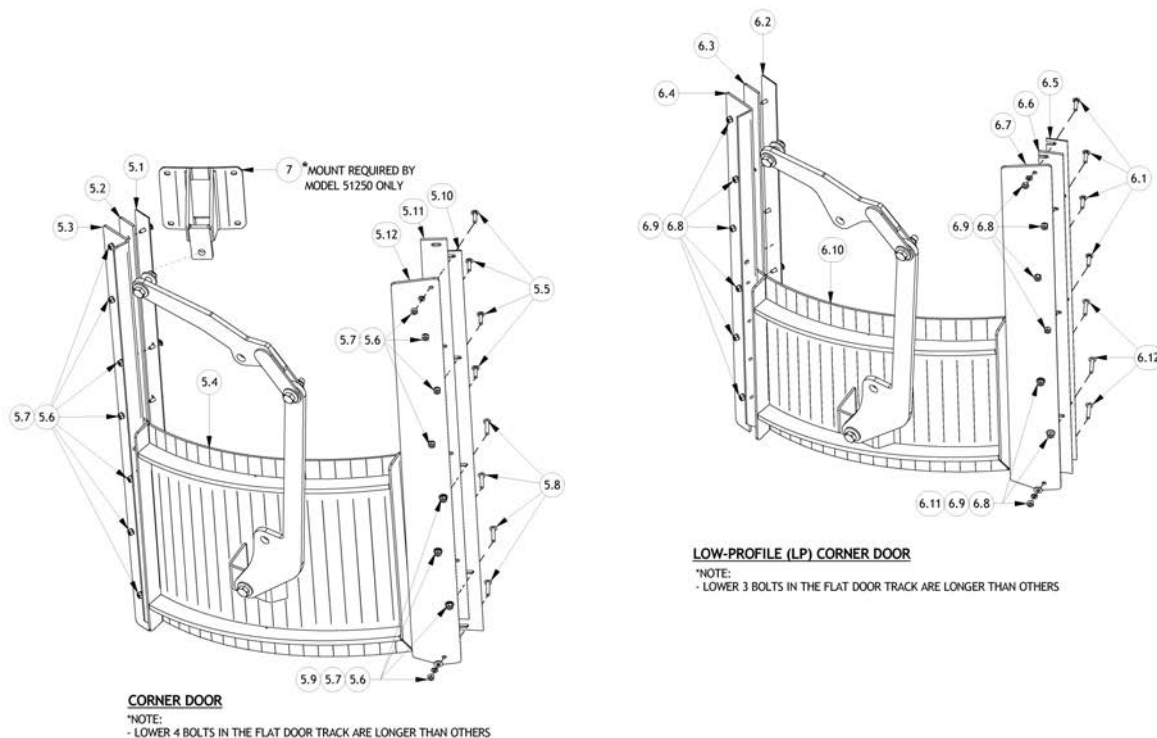
REFERENCE TABLES

ITEM 3.8 - REAR CENTRE DOOR PANEL		ITEM 4.8 - LP REAR CENTRE DOOR PANEL	
MODEL	PART NUMBER	MODEL	PART NUMBER
5350	AAA-001-00812	5400	AAA-001-01665
5425	AAA-001-00811	5600	AAA-001-01637
5575	AAA-001-00515		
5650	AAA-001-00812		
5750	AAA-001-00812		
5850	AAA-001-00811		
5750HD	AAA-001-00812		
5850HD	AAA-001-00811		
51000HD	AAA-001-00515		
51250HD	AAA-001-00515		



Pos	SKU	Description	Qty	Remark
3.1	AAA-001-00857	OUTER DOOR TRACK 1/4T X 67H	2	
3.2	AAA-001-00860	INNER DOOR SPCR 1/4T X 67H	2	
3.3	AAA-001-00859	INNER DOOR SPCR 1/8T X 67H	2	
3.4	AAB-015-10061	BOLT CARRIAGE 3/8 X 1-1/2 UNC GRD 5	12	
3.5	AAB-015-20017	NUT HEX 3/8 UNC GRD 2	16	
3.6	AAB-015-30017	WSHR LOCK 3/8	16	
3.7	AAB-015-10081	BOLT CARRIAGE 3/8 X 2 UNC GRD 5	4	
3.8	AAA-001-00515	DRUM DOOR WELDMENT REAR 102DIA (PARTS ORDER)	1	MODEL: 5575, 51000HD, 51250HD
3.8	AAA-001-00811	DRUM DOOR WELDMENT REAR 96DIA	1	MODEL: 5425, 5850, 5850HD
3.8	AAA-001-00812	DRUM DOOR REAR 90DIA (PAINTED PARTS ORDER)	1	MODEL: 5350, 5650, 5750, 5750HD
4.1	AAB-015-10081	BOLT CARRIAGE 3/8 X 2 UNC GRD 5	4	
4.2	AAB-015-10061	BOLT CARRIAGE 3/8 X 1-1/2 UNC GRD 5	10	
4.3	AAA-001-01376	OUTER DOOR TRACK 1/4T X 58.5H	2	
4.4	AAA-001-01378	INNER DOOR SPCR 1/4T X 58.5	2	

Pos	SKU	Description	Qty	Remark
4.5	AAA-001-01377	INNER DOOR SPCR 1/8T X 58.5H	2	
4.6	AAB-015-20017	NUT HEX 3/8 UNC GRD 2	14	
4.7	AAB-015-30017	WSHR LOCK 3/8	14	
4.8	AAA-001-01637	DRUM DOOR WELDMENT LP REAR 96 (PAINTED)	1	MODEL:5600
4.8	AAA-001-01665	DRUM DOOR WELDMENT LP REAR 101.5" DIA (PAINTED)	1	MODEL:5400

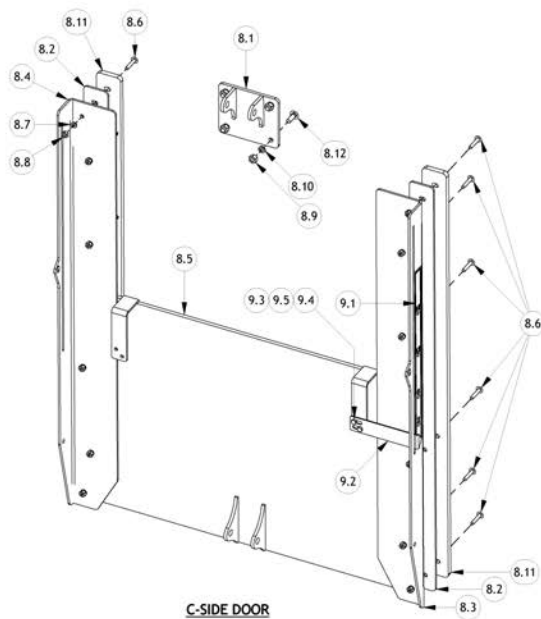


Pos	SKU	Description	Qty	Remark
5.1	AAA-001-00621C	SPCR INNER CORNER DOOR REAR 1/8T	1	
5.2	AAA-001-00622C	SPCR INNER CORNER DOOR REAR 64-1/4H X 1/4T	1	
5.3	AAA-001-00623	TRACK OUTER CORNER DOOR REAR 64-1/4H X 1/4T	1	
5.4	AAA-001-00272	DRUM DOOR WELDMENT 525T	1	MODEL: 5425, 5850, 5850HD
5.4	AAA-001-00330	DRUM DOOR WELDMENT 610T	1	MODEL: 5575, 51000HD, 51250HD
5.4	AAA-001-00334	DRUM DOOR WELDMENT 445T	1	MODEL: 5350, 5650, 5750, 5750HD
5.5	AAB-015-10061	BOLT CARRIAGE 3/8 X 1-1/2 UNC GRD 5	11	
5.6	AAB-015-20017	NUT HEX 3/8 UNC GRD 2	15	
5.7	AAB-015-30017	WSHR LOCK 3/8	15	
5.8	AAB-015-10081	BOLT CARRIAGE 3/8 X 2 UNC GRD 5	4	
5.9	AAB-015-30012	WSHR FLAT 3/8 USS	4	
5.10	AAA-001-00859	INNER DOOR SPCR 1/8T X 67H	1	
5.11	AAA-001-00860	INNER DOOR SPCR 1/4T X 67H	1	

Pos	SKU	Description	Qty	Remark
5.12	AAA-001-00901	OUTER DOOR TRACK 1/4T X 67-1/2H (CORNER DOORS)	1	
6.1	AAB-015-10061	BOLT CARRIAGE 3/8 X 1-1/2 UNC GRD 5	10	
6.2	AAA-001-01646	INNER CORNER DOOR SPCR REAR 1/8T LP	1	
6.3	AAA-001-01645	INNER CORNER DOOR SPCR REAR 1/4T	1	
6.4	AAA-001-01643	OUTER CORNER DOOR TRACK 1/4T LP	1	
6.5	AAA-001-01377	INNER DOOR SPCR 1/8T X 58.5H	1	
6.6	AAA-001-01378	INNER DOOR SPCR 1/4T X 58.5	1	
6.7	AAA-001-01644	OUTER DOOR TRACK 1/4T LP CORNER DOOR	1	
6.8	AAB-015-20017	NUT HEX 3/8 UNC GRD 2	13	
6.9	AAB-015-30017	WSHR LOCK 3/8	13	
6.10	AAA-001-01647	96" LP CORNER DOOR WELDMENT	1	MODEL:5600
6.10	AAA-001-01668	101.5" LP CORNER DOOR WELDMENT	1	MODEL:5400
6.11	AAB-015-30012	WSHR FLAT 3/8 USS	3	
6.12	AAB-015-10081	BOLT CARRIAGE 3/8 X 2 UNC GRD 5	3	
7	AAA-001-01727-P3	TOP CYL MNT CRNR DOOR 51250 (PARTS ORDER)	1	

REFERENCE TABLES

ITEM 8.1 - C-SIDE UPPER CYLINDER LUG	
MODEL	PART NUMBER
5350	AAA-001-01576
5425	AAA-001-01576
5575	AAA-001-01576
5650	AAA-001-01576
5750	AAA-001-01576
5850	AAA-001-01576
5750HD	AAA-001-01576
5850HD	AAA-001-01576
51000HD	AAA-001-01576
51250HD	AAA-001-01733-P3

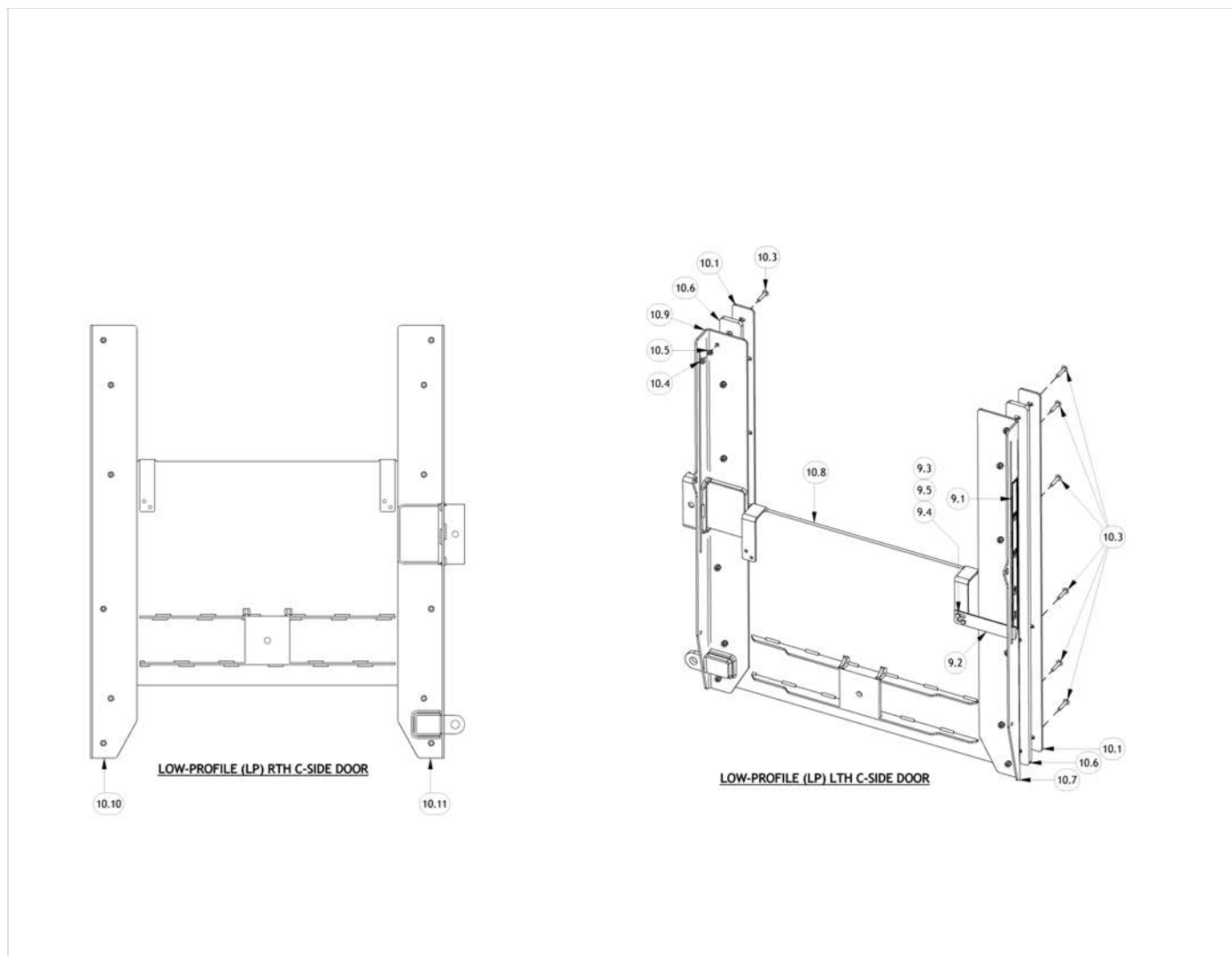


APPLICABLE MODELS:

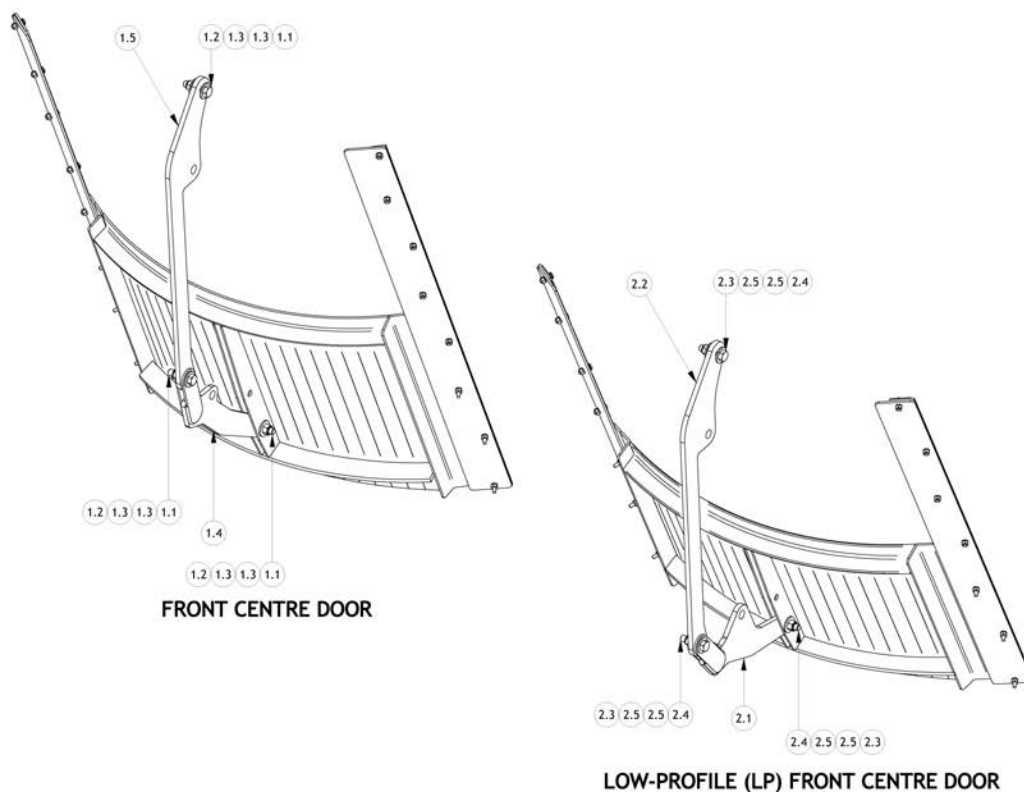
- 5350
- 5425
- 5575
- 5650
- 5750
- 5850
- 51000
- 51250

Pos	SKU	Description	Qty	Remark
8.1	AAA-001-01576	C-SIDE UPPER CYL LUG WELDMENT	1	MODEL:5350 through 51000HD
8.1	AAA-001-01733-P3	C-SIDE UPPER CYL LUG FOR 51250 (BLACK FOR PO)	1	MODEL:51250HD
8.2	AAA-001-01577	C-SIDE DOOR SPCR 1/4T	2	
8.3	AAA-001-01578	C-SIDE DOOR TRACK RTH 1/4T	1	
8.4	AAA-001-01579	C-SIDE DOOR TRACK LTH 1/4T	1	
8.5	AAA-001-01287	DOOR C-SIDE WELDMENT PAINTED (PARTS ORDER)	1	
8.6	AAB-015-10081	BOLT CARRIAGE 3/8 X 2 UNC GRD 5	12	
8.7	AAB-015-30017	WSHR LOCK 3/8	12	
8.8	AAB-015-20017	NUT HEX 3/8 UNC GRD 2	12	
8.9	AAB-015-20011	NUT HEX 1/2 UNC GRD 5	4	
8.10	AAB-015-30018	WSHR LOCK 1/2	4	
8.11	AAA-001-01639	C-SIDE DOOR SPCR 5/8T	2	
8.12	AAB-015-10066	BOLT CARRIAGE 1/2 X 1-1/2 UNC GRD 5	4	
9.1	AAB-012-00115	DECAL DOOR HEIGHT MARKER 5000 SERIES	6	
9.2	AAA-001-01697-P3	C-SIDE DOOR HEIGHT INDICATOR 1/8T (BLACK)	6	

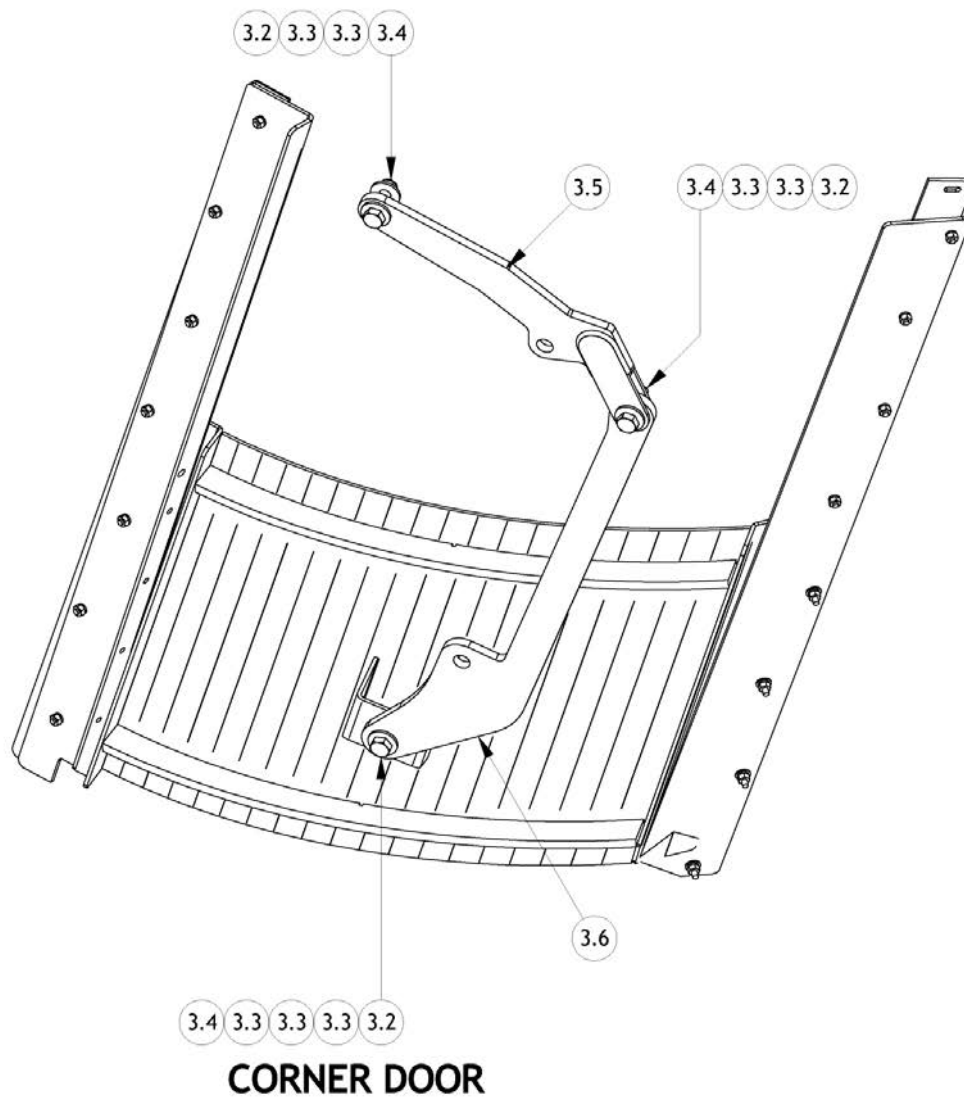
Pos	SKU	Description	Qty	Remark
9.3	AAB-015-20017	NUT HEX 3/8 UNC GRD 2	12	
9.4	AAB-015-10056	BOLT HEX 3/8 X 1 UNC GRD 2	12	
9.5	AAB-015-30017	WSHR LOCK 3/8	12	



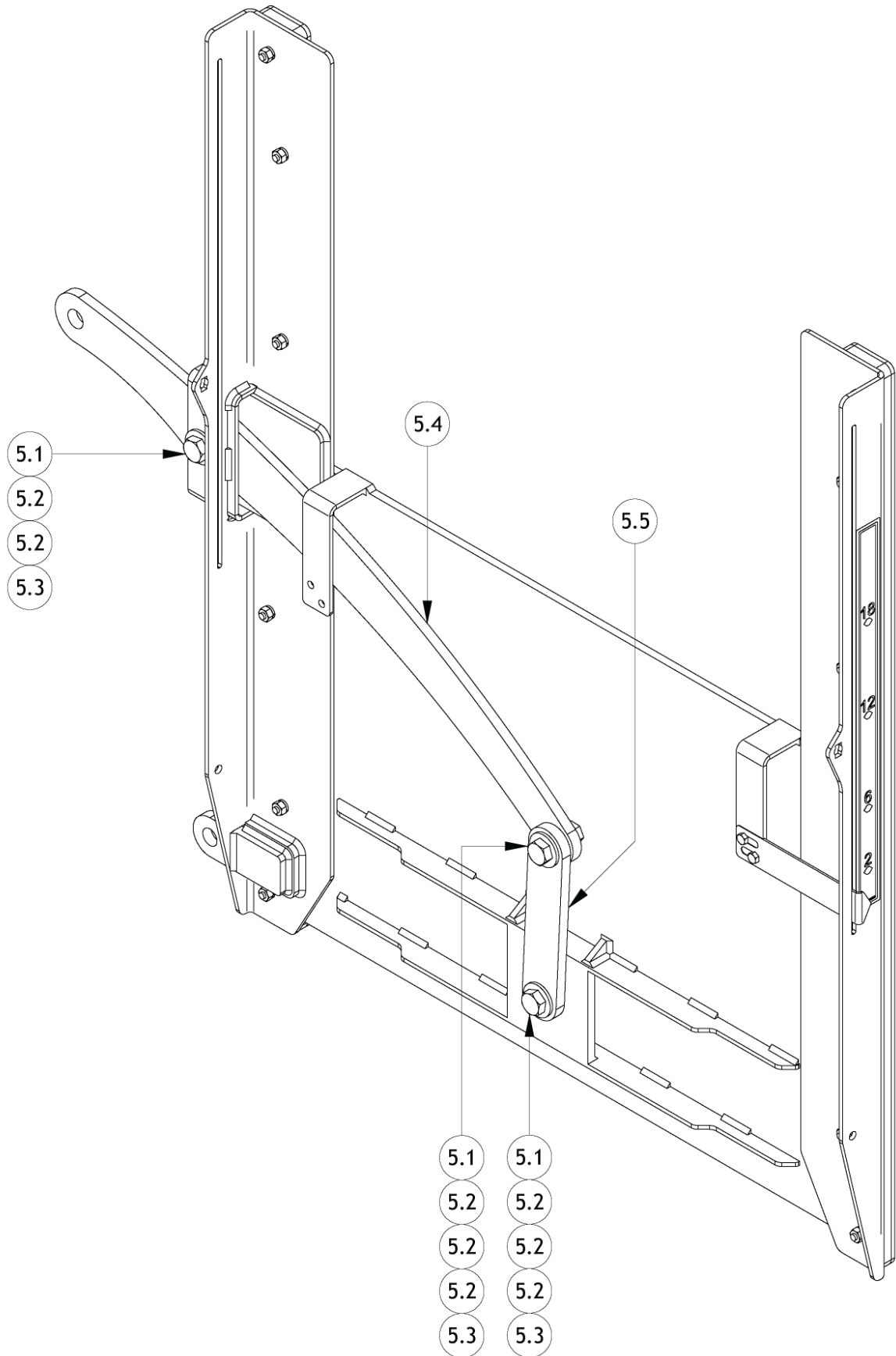
Pos	SKU	Description	Qty	Remark
9.1	AAB-012-00115	DECAL DOOR HEIGHT MARKER 5000 SERIES	6	
9.2	AAA-001-01697-P3	C-SIDE DOOR HEIGHT INDICATOR 1/8T (BLACK)	6	
9.3	AAB-015-20017	NUT HEX 3/8 UNC GRD 2	12	
9.4	AAB-015-10056	BOLT HEX 3/8 X 1 UNC GRD 2	12	
9.5	AAB-015-30017	WSHR LOCK 3/8	12	
10.1	AAA-001-01577	C-SIDE DOOR SPCR 1/4T	2	
10.3	AAB-015-10081	BOLT CARRIAGE 3/8 X 2 UNC GRD 5	12	
10.4	AAB-015-20017	NUT HEX 3/8 UNC GRD 2	12	
10.5	AAB-015-30017	WSHR LOCK 3/8	12	
10.6	AAA-001-01639	C-SIDE DOOR SPCR 5/8T	2	
10.7	AAA-001-01578	C-SIDE DOOR TRACK RTH 1/4T	1	
10.8	AAA-001-02829	LP C-SIDE DOOR PAINTED	1	
10.9	AAA-001-02826	LP RTH C-SIDE DOOR TRACK PAINTED	1	
10.10	AAA-001-01579	C-SIDE DOOR TRACK LTH 1/4T	1	
10.11	AAA-001-02825	LP LTH C-SIDE DOOR TRACK PAINTED	1	



Pos	SKU	Description	Qty	Remark
1.1	AAB-015-20016	NUT HEX LOCK NYLON 3/4 UNC GRD 8	3	
1.2	AAB-015-10079	BOLT HEX 3/4 X 3 UNC GRD 5	3	
1.3	AAB-015-30015	WSHR FLAT 3/4 USS	6	
1.4	AAA-001-00536-P3	DOOR CYL ARM WELDMENT SINGLE CYDR HOLE	1	
1.5	AAA-001-00737-P3	ARM LONG FOR DOOR	1	
2.1	AAA-001-01349-P3	LWR DOOR ARM WELDMENT LP CYDR HOLE (PAINTED)	1	
2.2	AAA-001-00737-P3	ARM LONG FOR DOOR	1	
2.3	AAB-015-10079	BOLT HEX 3/4 X 3 UNC GRD 5	3	
2.4	AAB-015-20016	NUT HEX LOCK NYLON 3/4 UNC GRD 8	3	
2.5	AAB-015-30015	WSHR FLAT 3/4 USS	6	

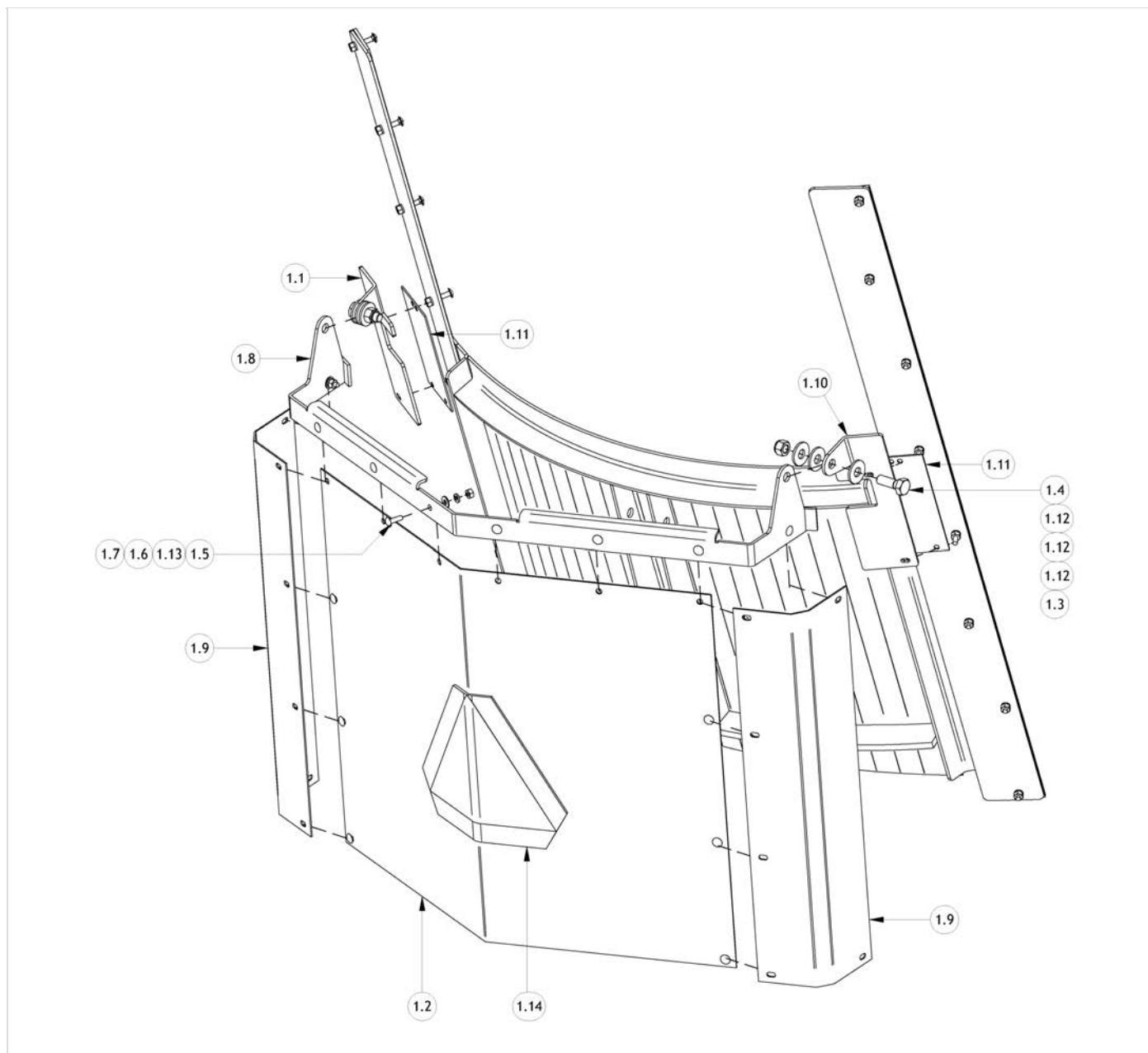


Pos	SKU	Description	Qty	Remark
3.2	AAB-015-10079	BOLT HEX 3/4 X 3 UNC GRD 5	3	
3.3	AAB-015-30015	WSHR FLAT 3/4 USS	8	
3.4	AAB-015-20016	NUT HEX LOCK NYLON 3/4 UNC GRD 8	3	
3.5	AAA-001-00536-P3	DOOR CYL ARM WELDMENT SINGLE CYDR HOLE	1	MODEL: ALL EXCEPT 5400, 5600
3.5	AAA-001-01349-P3	LWR DOOR ARM WELDMENT LP CYDR HOLE (PAINTED)	1	MODEL: 5400, 5600
3.6	AAA-001-00737-P3	ARM LONG FOR DOOR	1	



LOW PROFILE (LP) C-SIDE DOOR

Pos	SKU	Description	Qty	Remark
5.1	AAB-015-10079	BOLT HEX 3/4 X 3 UNC GRD 5	3	
5.2	AAB-015-30015	WSHR FLAT 3/4 USS	8	
5.3	AAB-015-20016	NUT HEX LOCK NYLON 3/4 UNC GRD 8	3	
5.4	AAA-001-02831-P3	LP C-SIDE DOOR ARM LINKAGE (PAINTED)	1	
5.5	AAA-001-02832-P3	LP C-SIDE DOOR LINKAGE (PAINTED)	1	

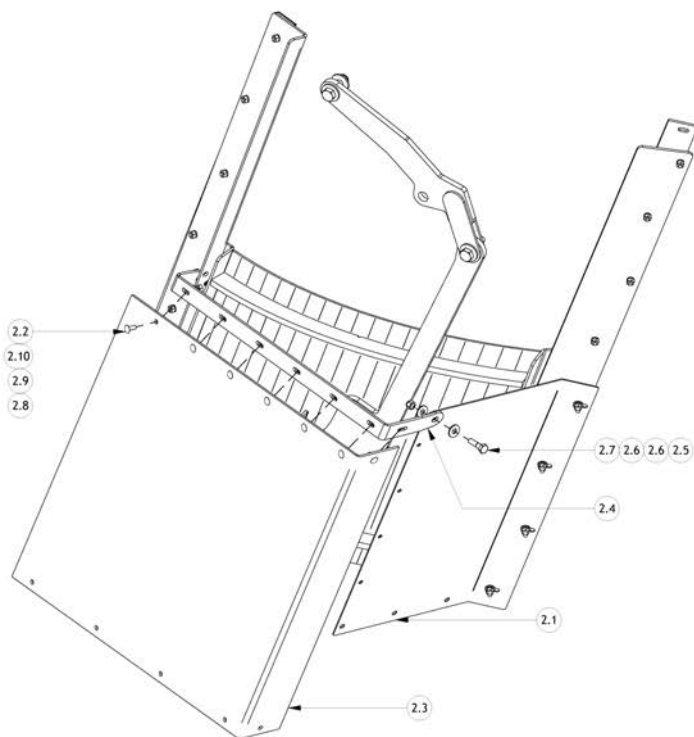


Pos	SKU	Description	Qty	Remark
1.1	AAA-006-00444	REAR DOOR SHIELD PIVOT BRKT LTH 1/4T	1	
1.2	AAA-006-00445	REAR DOOR RUBR SHIELD 1/8T	1	
1.3	AAB-015-20016	NUT HEX LOCK NYLON 3/4 UNC GRD 8	2	
1.4	AAB-015-10025	BOLT HEX 3/4 X 2-1/4 UNC GRD 8	2	
1.5	AAB-015-10060	BOLT CARRIAGE 3/8 X 1-1/4 UNC GRD 2	14	
1.6	AAB-015-30017	WSHR LOCK 3/8	14	
1.7	AAB-015-20017	NUT HEX 3/8 UNC GRD 2	14	
1.8	AAA-001-00832	REAR DOOR SHIELD HINGE BRKT WELDMENT	1	
1.9	AAA-006-00440	REAR DOOR SHIELD SIDE SUPT 1/8T	2	
1.10	AAA-006-00533	REAR DOOR SHIELD PIVOT BRKT RTH 1/4T	1	
1.11	AAA-006-00532	REAR DOOR SHIELD RUBR SPCR 1/8T	2	
1.12	AAB-015-30015	WSHR FLAT 3/4 USS	6	
1.13	AAB-015-30012	WSHR FLAT 3/8 USS	14	

Pos	SKU	Description	Qty	Remark
1.14	AAB-012-00074	DECAL SMV PLASTIC BOLT ON	1	

REFERENCE TABLE

PART NUMBERS FOR REGULAR CORNER DOOR SHIELDS		
MODEL	ITEM 2.1	ITEM 2.4
5350	AAA-001-00328	AAA-001-00646
5400	AAA-001-00365	AAA-001-00652
5425	AAA-001-00293	AAA-001-00646
5575	AAA-001-00336	AAA-001-00652
5600	AAA-001-01692	AAA-001-00646
5650	AAA-001-00328	AAA-001-00646
5750	AAA-001-00328	AAA-001-00646
5850	AAA-001-00293	AAA-001-00646
5750HD	AAA-001-00328	AAA-001-00646
5850HD	AAA-001-00293	AAA-001-00646
51000HD	AAA-001-00336	AAA-001-00652
51250HD	AAA-001-00336	AAA-001-00652

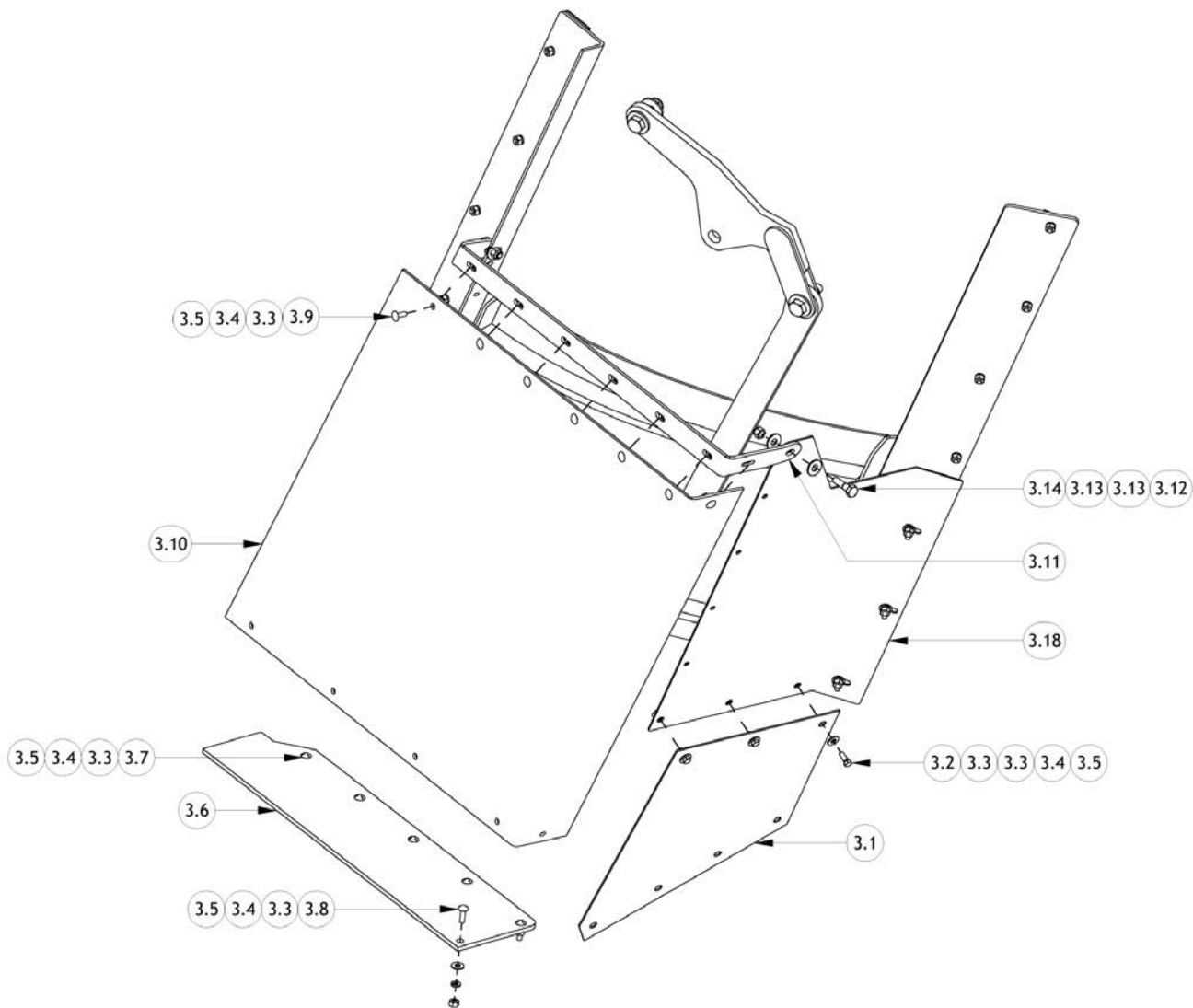


Pos	SKU	Description	Qty	Remark
2.1	AAA-001-00293	SHIELD DRUM 1/8T (96" DIA)	1	MODEL: 5425, 5850, 5850HD
2.1	AAA-001-00328	SHIELD DRUM 1/8T (90" DIA)	1	MODEL: 5350, 5650, 5750, 5750HD
2.1	AAA-001-00336	DOOR SIDE SHIELD 1/8T (101.5" DIA)	1	MODEL: 5575, 51000HD, 51250HD
2.1	AAA-001-00365	SHIELD DRUM 1/8T LP (101.5" DIA)	1	MODEL:5400
2.1	AAA-001-01692	DRUM SHIELD LP 1/8T (96" DIA)	1	MODEL:5600
2.2	AAB-015-10028	BOLT CARRIAGE 3/8-16 X 1 GRD 5	7	
2.3	AAA-001-00651	DISCHARGE SHIELD W/ LWR SUPT 1/4T	1	
2.4	AAA-001-00646	DISCHARGE SHIELD HINGE 1/4T (90" & 96" DIA)	1	MODEL: 5350, 5425, 5575, 5650, 5750, 5850, 5750HD, 5850HD
2.4	AAA-001-00652	DISCHARGE SHIELD HINGE 1/4T (101.5" DIA)	1	MODEL: 5400, 5600, 51000HD, 51250HD
2.5	AAB-015-20019	NUT NYLON LOCK 1/2 UNC GRD 5	2	

Pos	SKU	Description	Qty	Remark
2.6	AAB-015-30013	WSHR FLAT 1/2 USS	4	
2.7	AAB-015-10064	BOLT HEX 1/2 X 2 UNC GRD 5	2	
2.8	AAB-015-20017	NUT HEX 3/8 UNC GRD 2	7	
2.9	AAB-015-30017	WSHR LOCK 3/8	7	
2.10	AAB-015-30012	WSHR FLAT 3/8 USS	7	

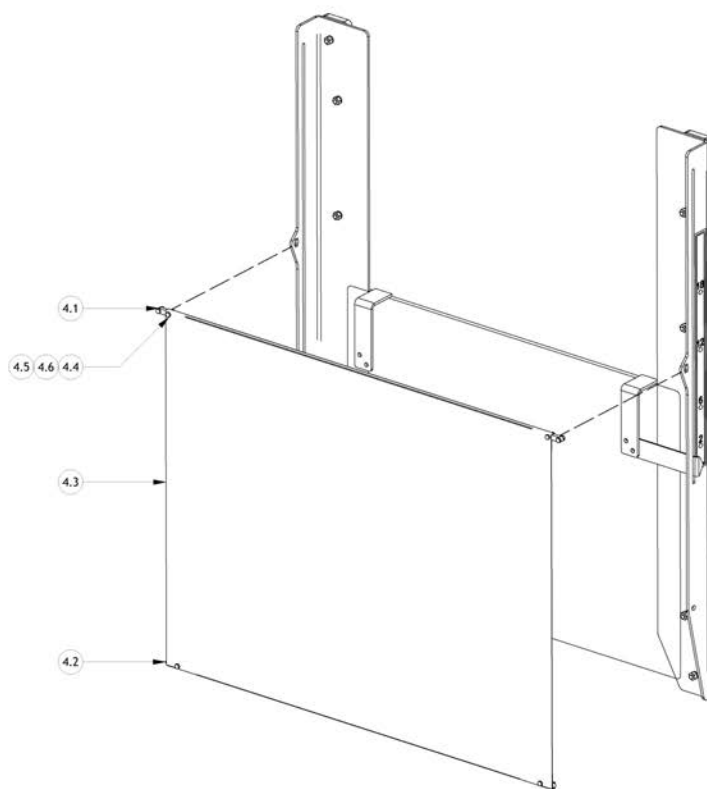
REFERENCE TABLE

PART NUMBERS FOR DROP-FLOOR CORNER DOOR SHIELDS			
MODEL	ITEM 3.6	ITEM 3.11	ITEM 3.18
5350	AAA-001-00540	AAA-001-00646	AAA-001-00328
5400	AAA-001-00549	AAA-001-00652	AAA-001-00365
5425	AAA-001-00540	AAA-001-00646	AAA-001-00293
5575	AAA-001-00549	AAA-001-00652	AAA-001-00336
5600	AAA-001-00540	AAA-001-00646	AAA-001-01692
5650	AAA-001-00540	AAA-001-00646	AAA-001-00328
5750	AAA-001-00540	AAA-001-00646	AAA-001-00328
5850	AAA-001-00540	AAA-001-00646	AAA-001-00293

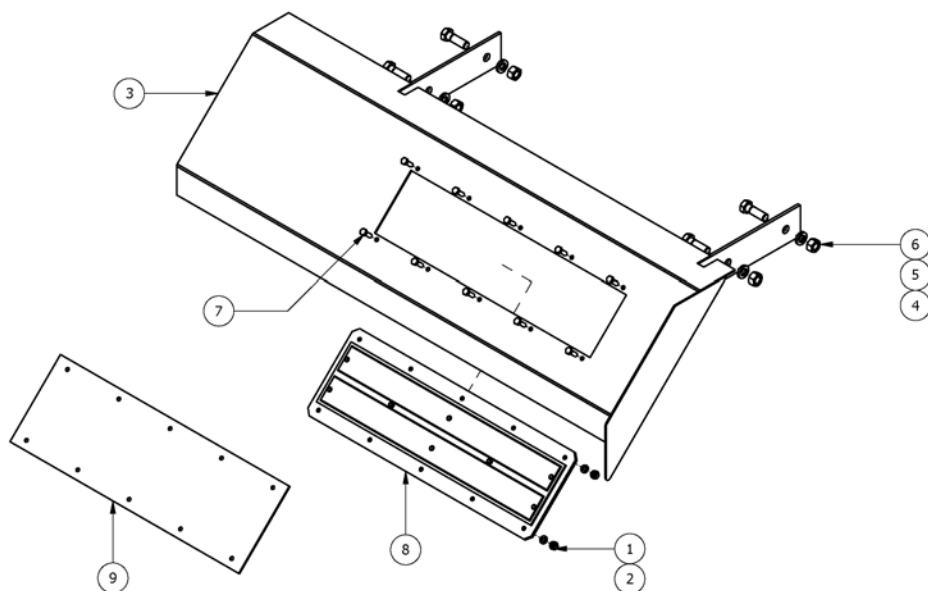


Pos	SKU	Description	Qty	Remark
3.1	AAA-001-00693	LWR DRUM RUBR SHIELD 1/8T (90" & 96" DIA)	1	
3.2	AAB-015-10056	BOLT HEX 3/8 X 1 UNC GRD 2	3	
3.3	AAB-015-30012	WSHR FLAT 3/8 USS	19	
3.4	AAB-015-30017	WSHR LOCK 3/8	16	
3.5	AAB-015-20017	NUT HEX 3/8 UNC GRD 2	16	
3.6	AAA-001-00540	FLR EXT HDPE 3/8T FOR 90 TO 96 DIA DROP FLR MIXERS	1	MODEL: 5350, 5425, 5575, 5650, 5750, 5850

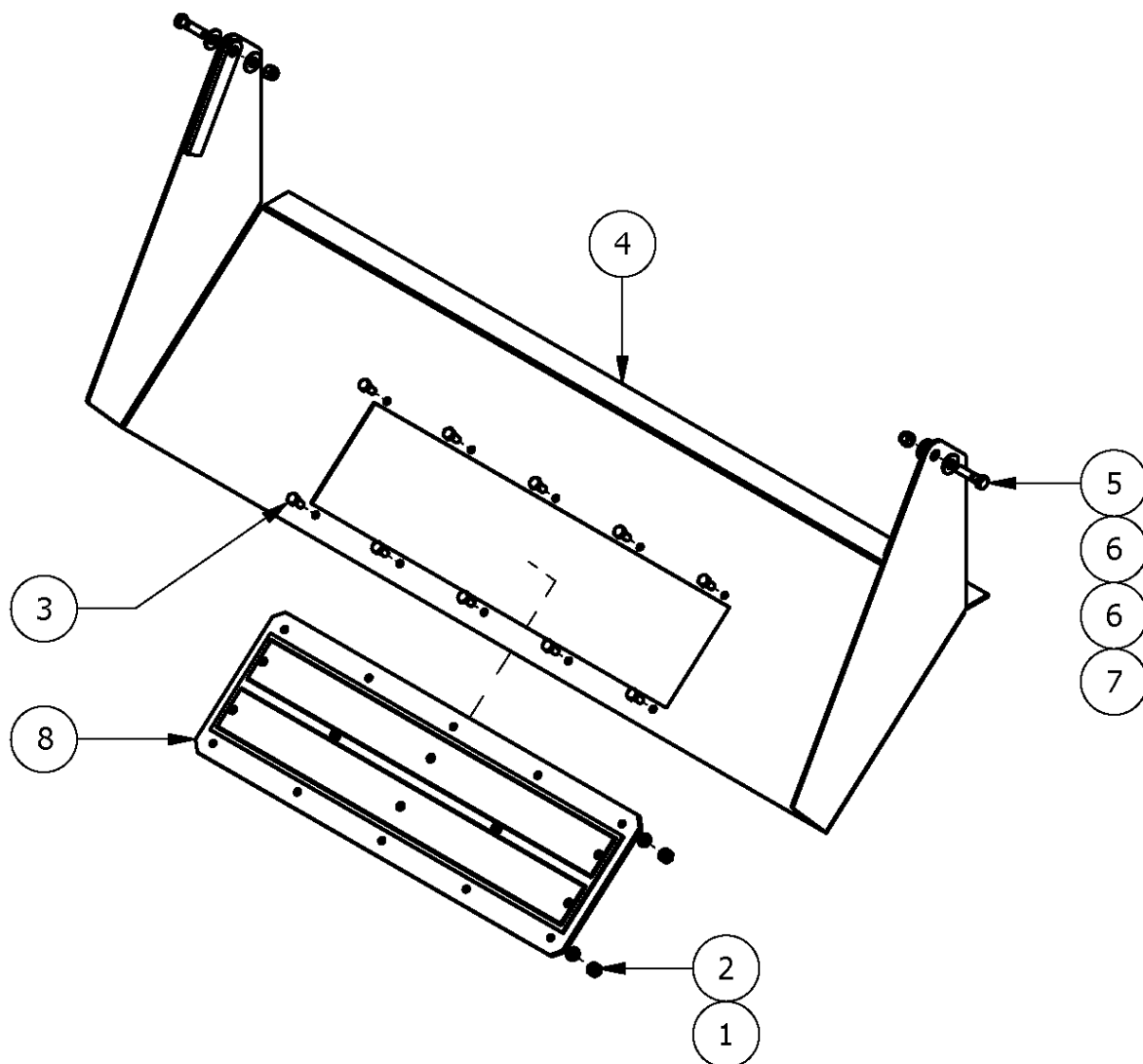
Pos	SKU	Description	Qty	Remark
3.6	AAA-001-00549	FLR EXT HDPE 3/8T FOR 101.5" DIA DROP FLR MIXERS	1	MODEL: 5400, 5600
3.7	AAB-015-10061	BOLT CARRIAGE 3/8 X 1-1/2 UNC GRD 5	5	
3.8	AAB-015-10060	BOLT CARRIAGE 3/8 X 1-1/4 UNC GRD 2	1	
3.9	AAB-015-10028	BOLT CARRIAGE 3/8-16 X 1 GRD 5	7	
3.10	AAA-001-00651	DISCHARGE SHIELD W/ LWR SUPT 1/4T	1	
3.11	AAA-001-00646	DISCHARGE SHIELD HINGE 1/4T (90" & 96" DIA)	1	MODEL: 5350, 5425, 5575, 5650, 5750, 5850
3.11	AAA-001-00652	DISCHARGE SHIELD HINGE 1/4T (101.5" DIA)	1	MODEL: 5400, 5600
3.12	AAB-015-20019	NUT NYLON LOCK 1/2 UNC GRD 5	2	
3.13	AAB-015-30013	WSHR FLAT 1/2 USS	4	
3.14	AAB-015-10064	BOLT HEX 1/2 X 2 UNC GRD 5	2	
3.18	AAA-001-00293	SHIELD DRUM 1/8T (96" DIA)	1	MODEL: 5425, 5850
3.18	AAA-001-00328	SHIELD DRUM 1/8T (90" DIA)	1	MODEL: 5350, 5650, 5750
3.18	AAA-001-00336	DOOR SIDE SHIELD 1/8T (101.5" DIA)	1	MODEL:5575
3.18	AAA-001-00365	SHIELD DRUM 1/8T LP (101.5" DIA)	1	MODEL:5400
3.18	AAA-001-01692	DRUM SHIELD LP 1/8T (96" DIA)	1	MODEL:5600



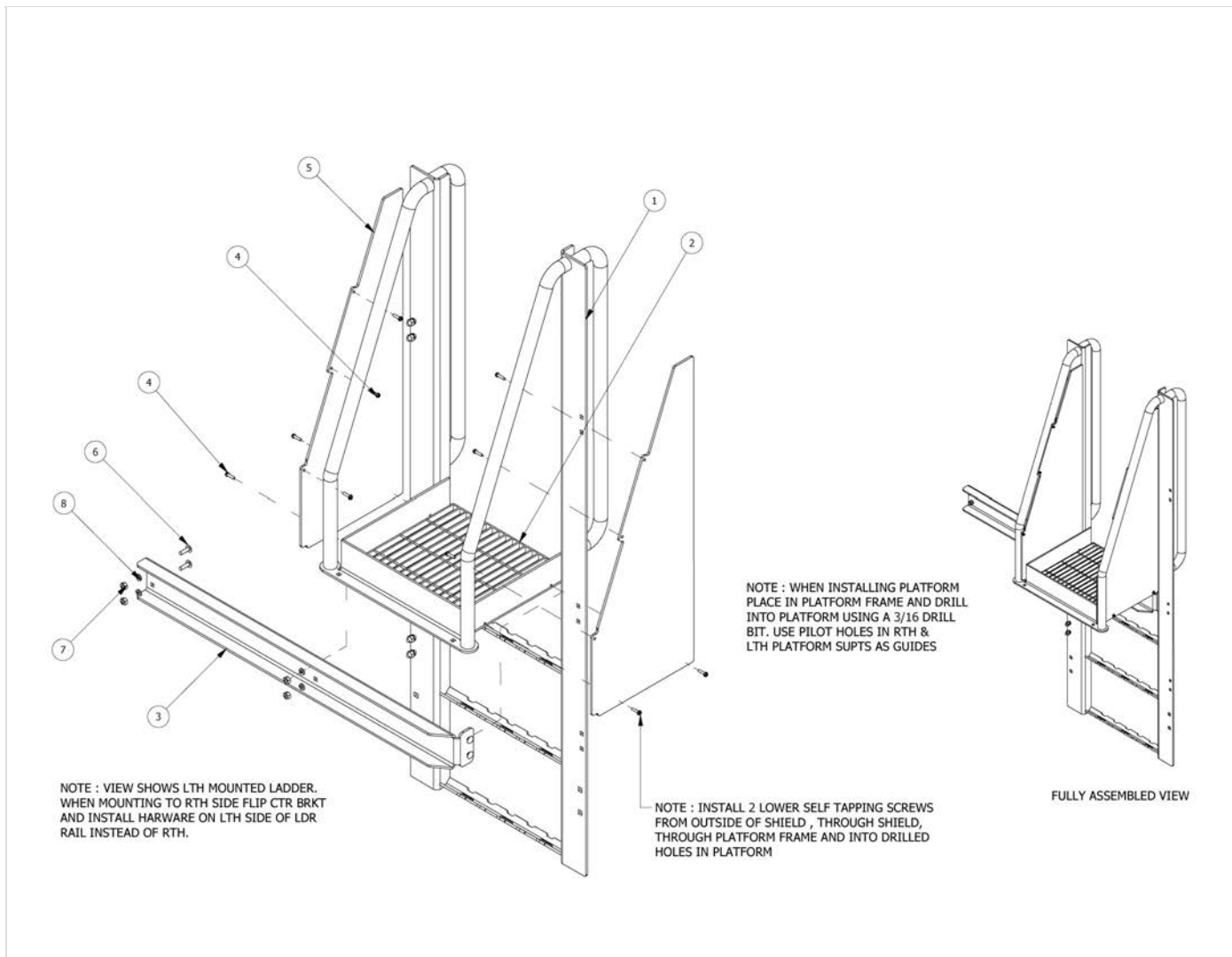
Pos	SKU	Description	Qty	Remark
4.1	AAA-001-01581-P1	C-SIDE SHIELD UPPR CROSS BAR 3/8T (PAINTED RED)	1	
4.2	AAA-001-01582-P1	C-SIDE SHIELD LWR CROSS BAR 3/8T (PAINTED RED)	1	
4.3	AAB-001-00047	C-SIDE TARP DISCHARGE SHIELD 40 OZ	1	
4.4	AAB-015-10089	BOLT HEX 1/4 X 3/4 GRD 5	4	
4.5	AAB-015-20036	NUT HEX 1/4 UNC GRD 5	4	
4.6	AAB-015-30025	WSHR FLAT 1/4 USS	4	



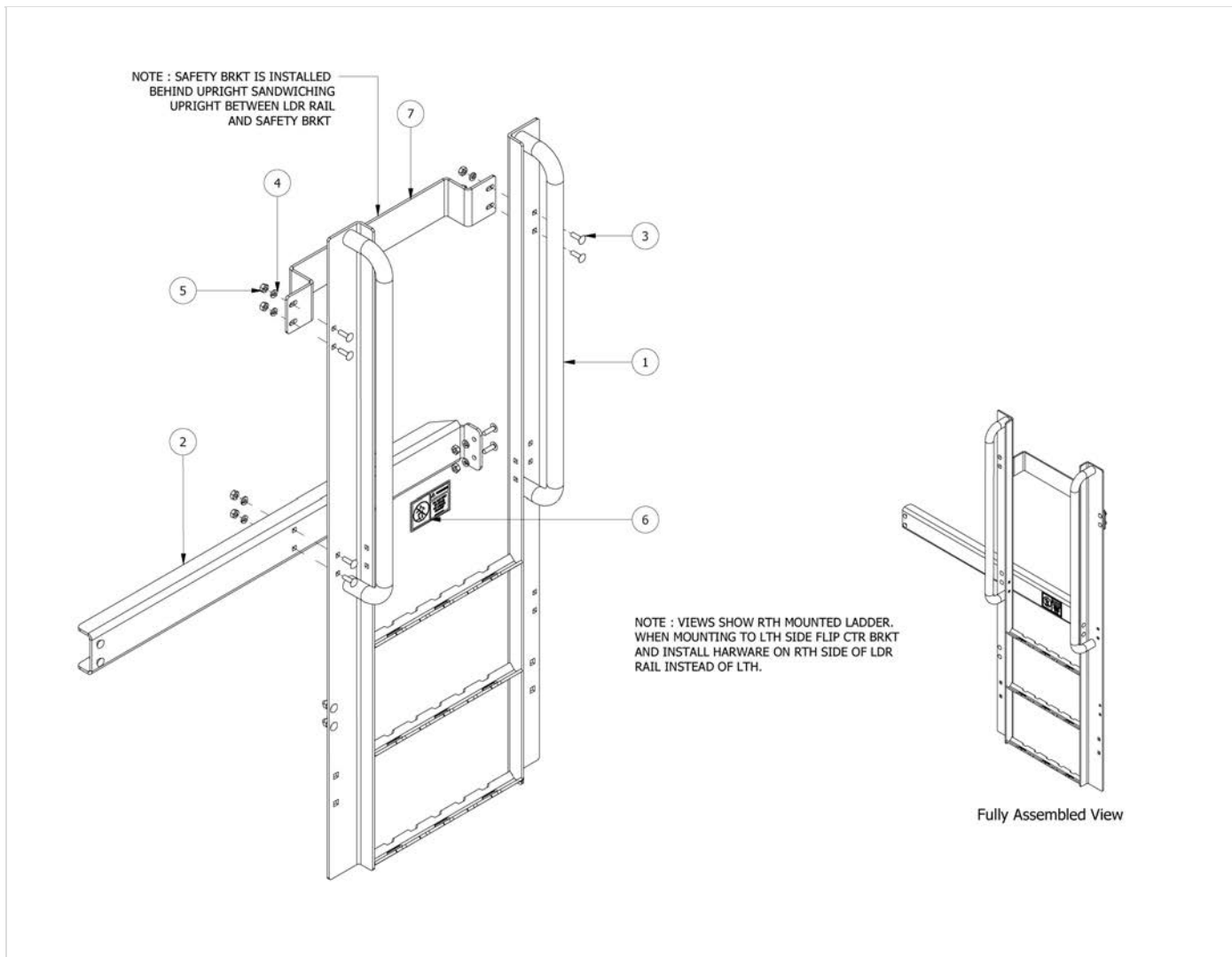
Pos	SKU	Description	Qty	Remark
1	AAB-015-20020	NUT HEX 5/16 UNC GRD 2	10	
2	AAB-015-30016	WSHR LOCK 5/16	10	
3	AAA-006-00317	DISCHARGE CHUTE 50L (PAINTED)	1	
4	AAB-015-10068	BOLT HEX 5/8 X 2 UNC GRD 8	4	
5	AAB-015-30019	WSHR LOCK 5/8	4	
6	AAB-015-20013	NUT HEX 5/8 UNC GRD 5	4	
7	AAB-015-10036	BOLT HEX 5/16 X 1 UNC GRD 5	10	
8	AAB-006-00035	MAGNET PLATE 25 X 8 X 1	1	
9	AAA-006-00321	PLT MAGNET CHUTE BLANK 1/8T	1	



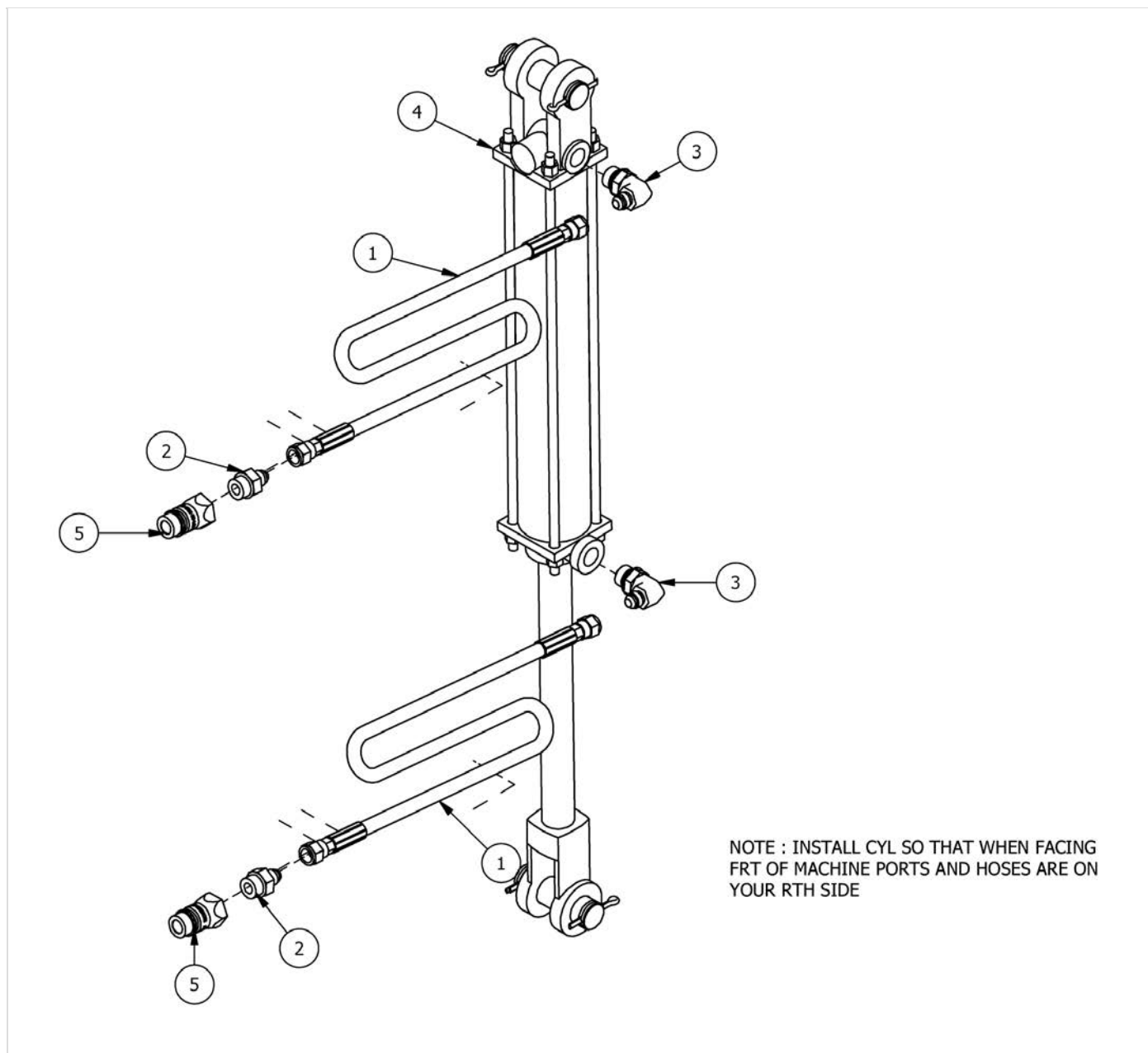
Pos	SKU	Description	Qty	Remark
1	AAB-015-30016	WSHR LOCK 5/16	10	
2	AAB-015-20020	NUT HEX 5/16 UNC GRD 2	10	
3	AAB-015-10054	BOLT HEX 5/16 X 3/4 UNC GRD 5	10	
4	AAA-006-01013-P1	C-SIDE MAGNET CHUTE WELDMENT (PAINTED RED)	1	
5	AAB-015-10059	BOLT HEX 3/8 X 1-1/2 UNC GRD 2	2	
6	AAB-015-30012	WSHR FLAT 3/8 USS	4	
7	AAB-015-20012	NUT HEX 3/8 LOCK NYLON GRD 2	2	
8	AAA-006-00321	PLT MAGNET CHUTE BLANK 1/8T	1	
8	AAB-006-00035	MAGNET PLATE 25 X 8 X 1	1	



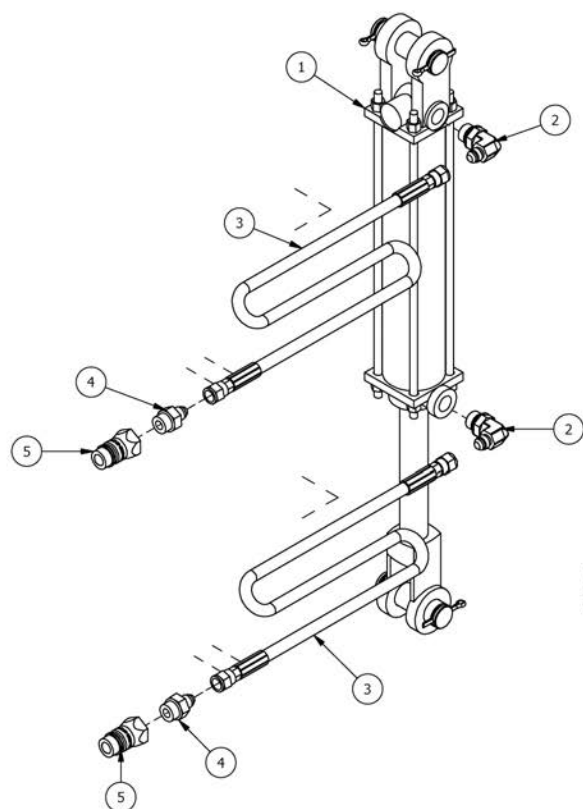
Pos	SKU	Description	Qty	Remark
1	AAA-003-00228	LDR WELDMENT 5000	1	
2	AAB-003-00006	LDR PLATFORM	1	
3	AAA-003-00241	CTR UPRTH LDR SUPT BRKT 1/4T	2	
4	AAB-015-10158	BOLT HEX THREAD CUTTING & SELF-TAPPING 1/4-20 X 1L GRD 5	10	
5	AAB-003-00004	LDR SIDE SHIELD (HDPE BLACK)	2	
6	AAB-015-10060	BOLT CARRIAGE 3/8 X 1-1/4 UNC GRD 2	10	
7	AAB-015-20017	NUT HEX 3/8 UNC GRD 2	10	
8	AAB-015-30017	WSHR LOCK 3/8	10	



Pos	SKU	Description	Qty	Remark
1	AAA-003-00253	LP LDR 5000	1	
2	AAA-003-00241	CTR UPRTH LDR SUPT BRKT 1/4T	2	
3	AAB-015-10060	BOLT CARRIAGE 3/8 X 1-1/4 UNC GRD 2	12	
4	AAB-015-30017	WSHR LOCK 3/8	12	
5	AAB-015-20017	NUT HEX 3/8 UNC GRD 2	12	
6	AAB-012-00148	DECAL DO NOT STEP	1	
7	AAA-003-00258	LP LDR SAFETY BRKT	1	

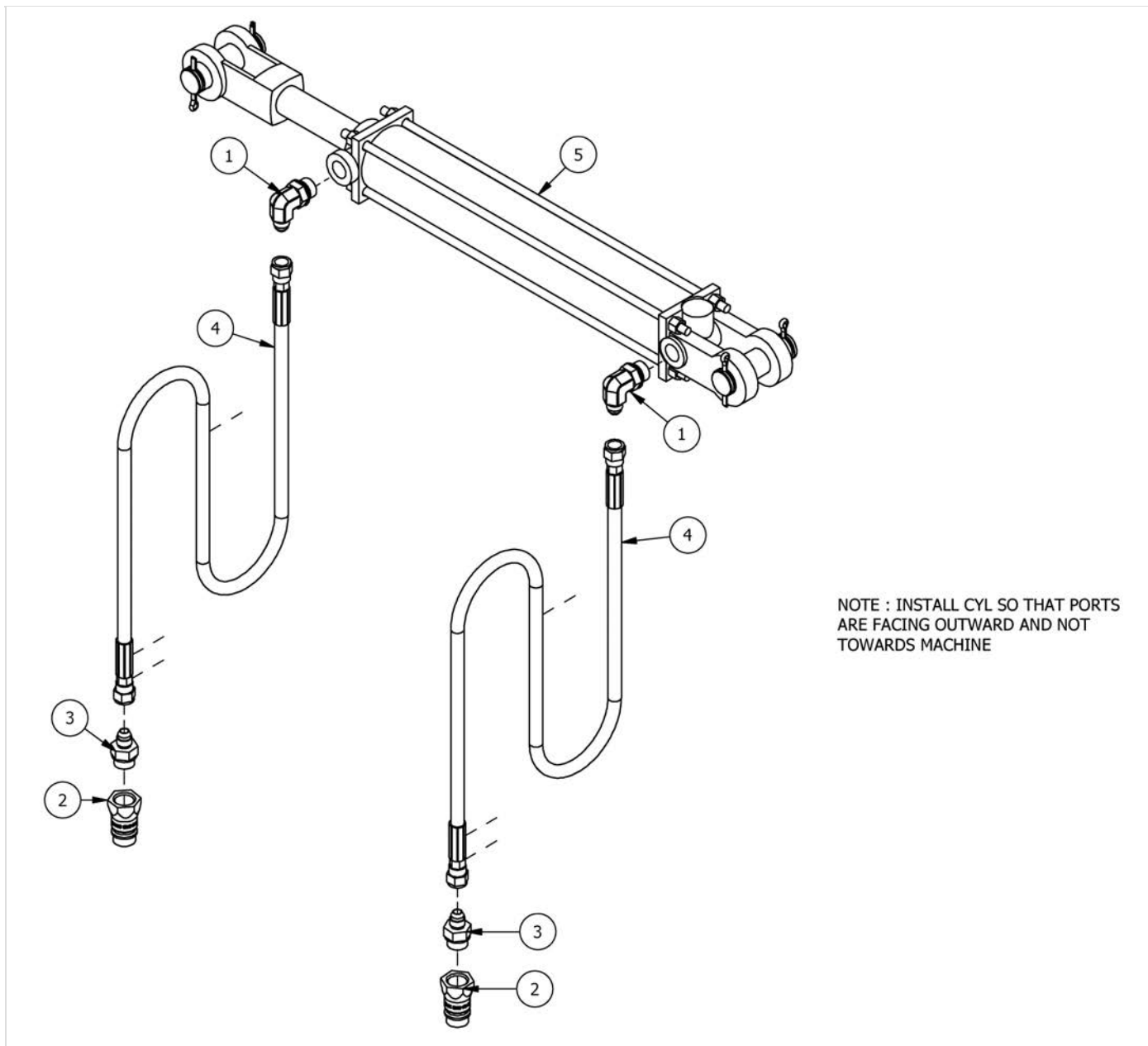


Pos	SKU	Description	Qty	Remark
1	AAB-009-00144	HOSE HYD 1/4DIA SNGL BRAID 6 FJIC SWIVEL X 6 FJIC SWIVEL 150L	2	
2	AAB-009-00074	FIT ADPT 6 MJIC X 8 MORB	2	
3	AAB-009-00352	FIT 90DEG 6 MJIC X 8 MORB ADJ	2	
4	AAB-009-00330	CYL HYD 12IN STROKE X 2 IN BORE WITH PINS AND CLIPS	1	
5	AAB-009-00322	FIT ADPT 8 MQDC X 8 FORB BALL STYLE	2	

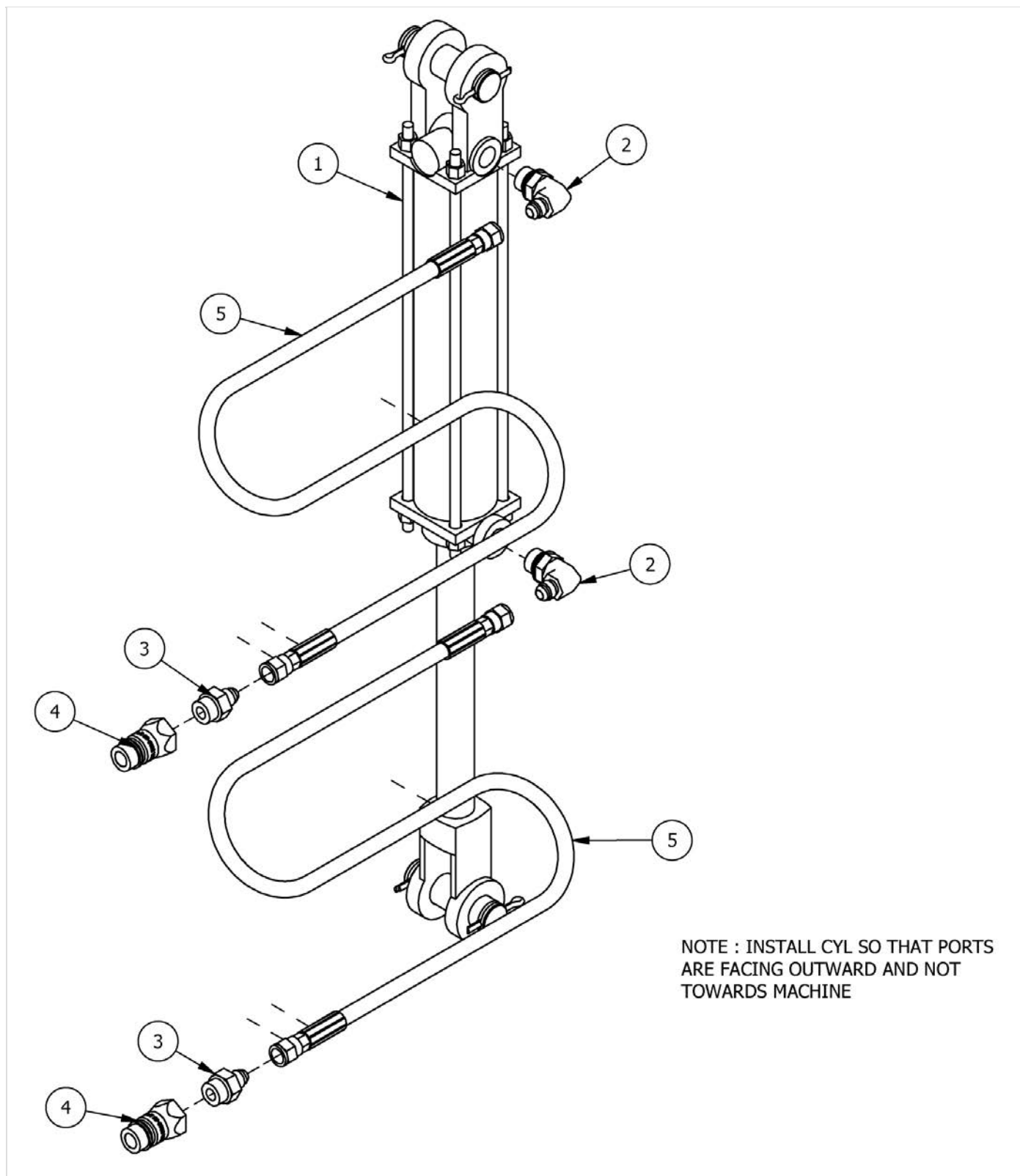


NOTE: INSTALL CYL SO THAT WHEN FACING
FRONT OF MACHINE PORTS AND HOSES ARE
ON YOUR RIGHT SIDE

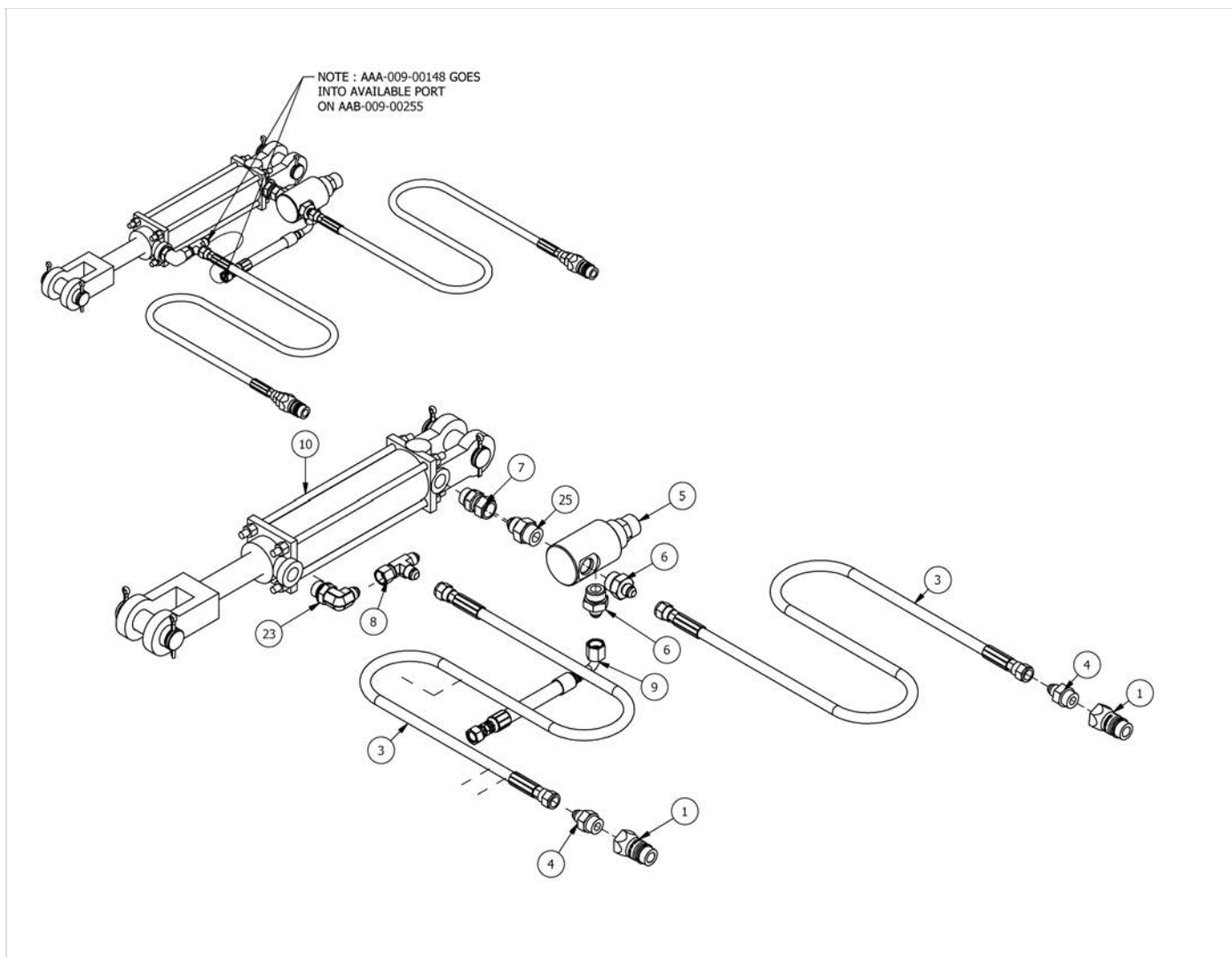
Pos	SKU	Description	Qty	Remark
1	AAB-009-00237	HYD CYL 10" STROKE X 2" BORE	1	
2	AAB-009-00352	FIT 90DEG 6 MJIC X 8 MORB ADJ	2	
3	AAB-009-00144	HOSE HYD 1/4DIA SNGL BRAID 6 FJIC SWIVEL X 6 FJIC SWIVEL 150L	2	
4	AAB-009-00074	FIT ADPT 6 MJIC X 8 MORB	2	
5	AAB-009-00322	FIT ADPT 8 MQDC X 8 FORB BALL STYLE	2	



Pos	SKU	Description	Qty	Remark
1	AAB-009-00352	FIT 90DEG 6 MJIC X 8 MORB ADJ	2	
2	AAB-009-00322	FIT ADPT 8 MQDC X 8 FORB BALL STYLE	2	
3	AAB-009-00074	FIT ADPT 6 MJIC X 8 MORB	2	
4	AAA-009-00155	HOSE HYD 1/4DIA DOUBLE BRAID 6 FJIC SWIVEL X 6 FJIC SWIVEL 300L 3000PSI	2	
5	AAB-009-00330	CYL HYD 12IN STROKE X 2 IN BORE WITH PINS AND CLIPS	1	

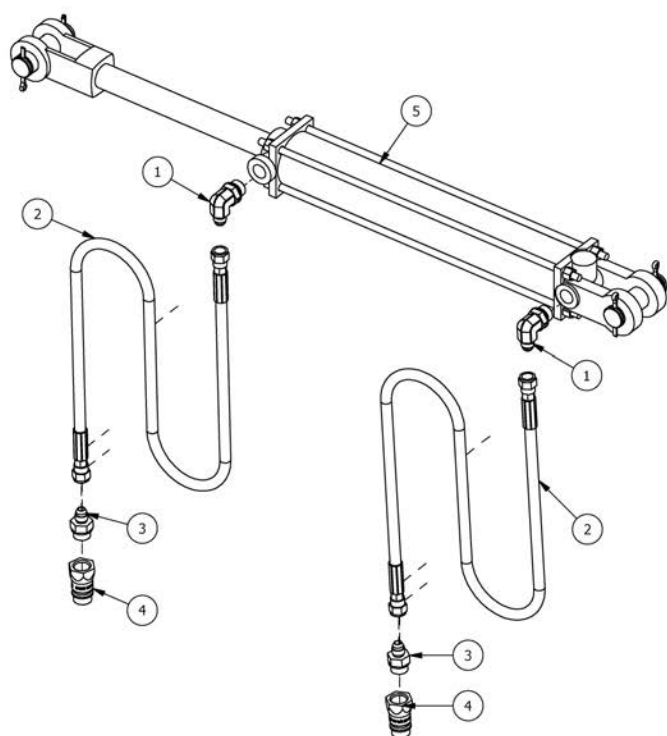


Pos	SKU	Description	Qty	Remark
1	AAB-009-00237	HYD CYL 10" STROKE X 2" BORE	1	
2	AAB-009-00352	FIT 90DEG 6 MJIC X 8 MORB ADJ	2	
3	AAB-009-00074	FIT ADPT 6 MJIC X 8 MORB	2	
4	AAB-009-00322	FIT ADPT 8 MQDC X 8 FORB BALL STYLE	2	
5	AAA-009-00155	HOSE HYD 1/4DIA DOUBLE BRAID 6 FJIC SWIVEL X 6 FJIC SWIVEL 300L 3000PSI	2	

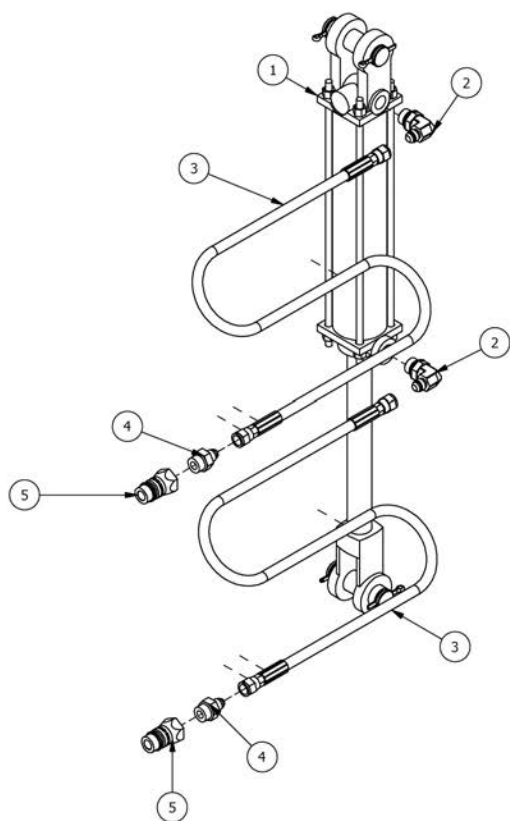


Pos	SKU	Description	Qty	Remark
1	AAB-009-00322	FIT ADPT 8 MQDC X 8 FORB BALL STYLE	2	
3	AAA-009-00256	HOSE HYD 1/4DIA SINGLE BRAID 6 FJIC SWIVEL X 6 FJIC SWIVEL 230L	2	
4	AAB-009-00074	FIT ADPT 6 MJIC X 8 MORB	2	
5	AAB-009-00110	VALVE PRESSURE RELIEF 400 PSI - #10 SAE THREAD	1	
6	AAB-009-00253	FIT ADPT 6 MJIC X 10 MORB	2	
7	AAB-009-00341	FIT ADPT 8 FJIC X 8 MORB	1	
8	AAB-009-00255	FIT TEE 6 MJIC X 6 MJIC X 6 FJIC	1	
9	AAA-009-00148	HOSE HYD 1/4DIA SINGLE BRAID 6 FJIC X 90DEG 6 FJIC 7L 3000PSI	1	
10	AAB-009-00230	HYD CYDR 6 STROKE X 2DIA	1	
23	AAB-009-00352	FIT 90DEG 6 MJIC X 8 MORB ADJ	1	
25	AAB-009-00080	FIT ADPT 8 MJIC X 10 MORB	1	

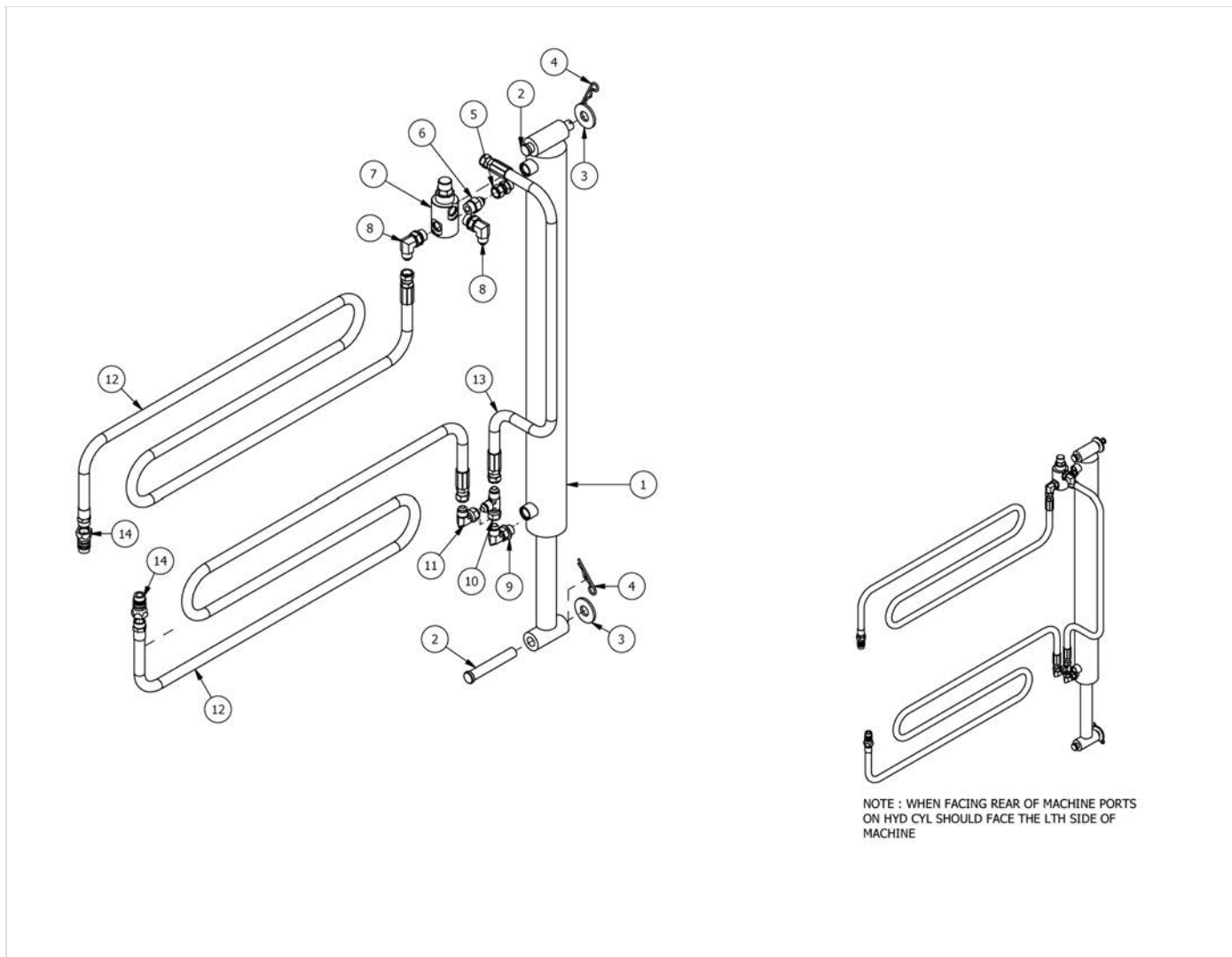
NOTE : INSTALL CYL SO THAT PORTS
ARE FACING OUTWARD AND NOT
TOWARDS MACHINE



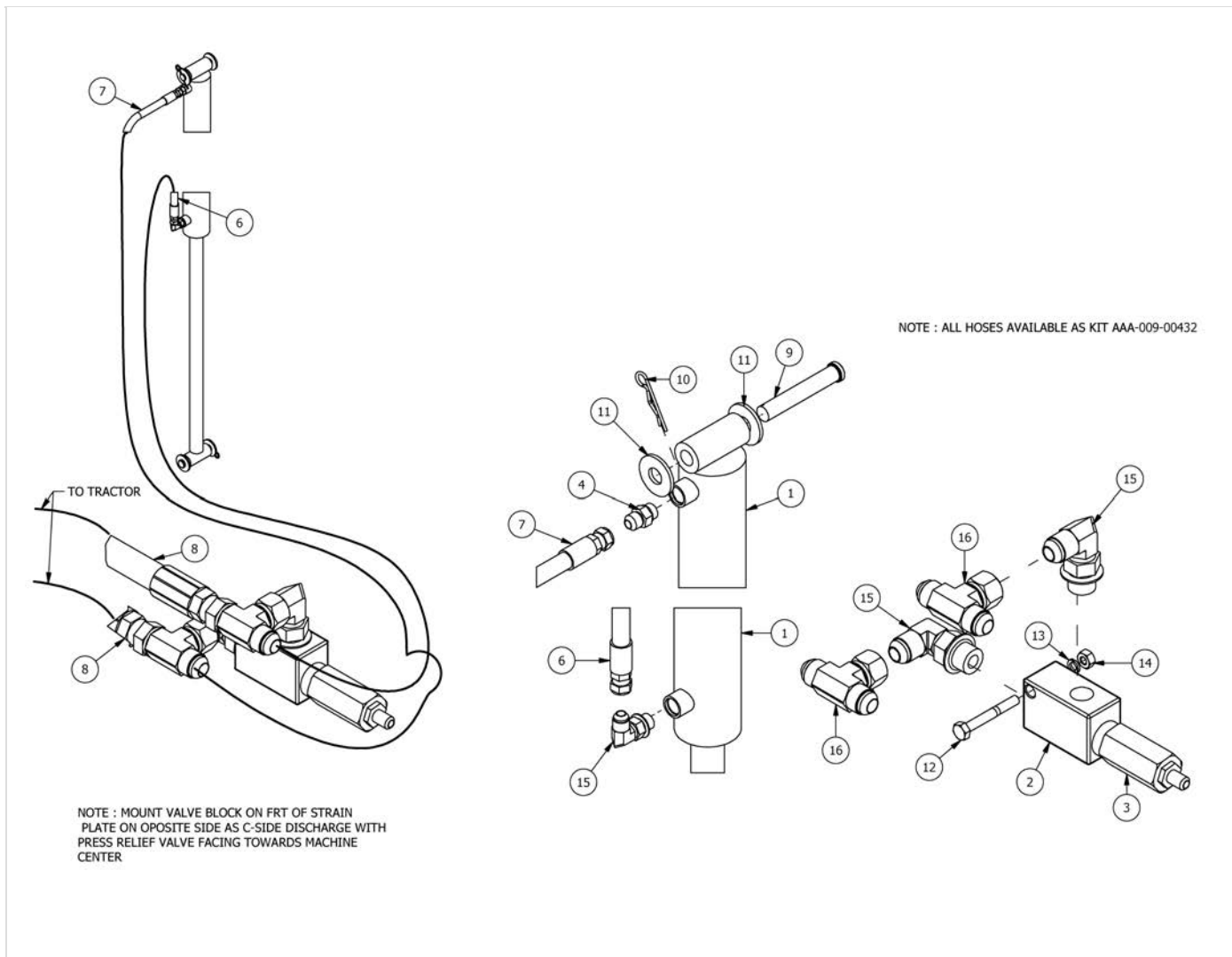
Pos	SKU	Description	Qty	Remark
1	AAB-009-00352	FIT 90DEG 6 MJIC X 8 MORB ADJ	2	
2	AAA-009-00257	HOSE HYD 1/4DIA DOUBLE BRAID 6 FJIC SWIVEL X 6 FJIC SWIVEL 540L	2	
3	AAB-009-00074	FIT ADPT 6 MJIC X 8 MORB	2	
4	AAB-009-00322	FIT ADPT 8 MQDC X 8 FORB BALL STYLE	2	
5	AAB-009-00330	CYL HYD 12IN STROKE X 2 IN BORE WITH PINS AND CLIPS	1	



Pos	SKU	Description	Qty	Remark
1	AAB-009-00237	HYD CYL 10" STROKE X 2" BORE	1	
2	AAB-009-00352	FIT 90DEG 6 MJIC X 8 MORB ADJ	2	
3	AAA-009-00257	HOSE HYD 1/4DIA DOUBLE BRAID 6 FJIC SWIVEL X 6 FJIC SWIVEL 540L	2	
4	AAB-009-00074	FIT ADPT 6 MJIC X 8 MORB	2	
5	AAB-009-00322	FIT ADPT 8 MQDC X 8 FORB BALL STYLE	2	

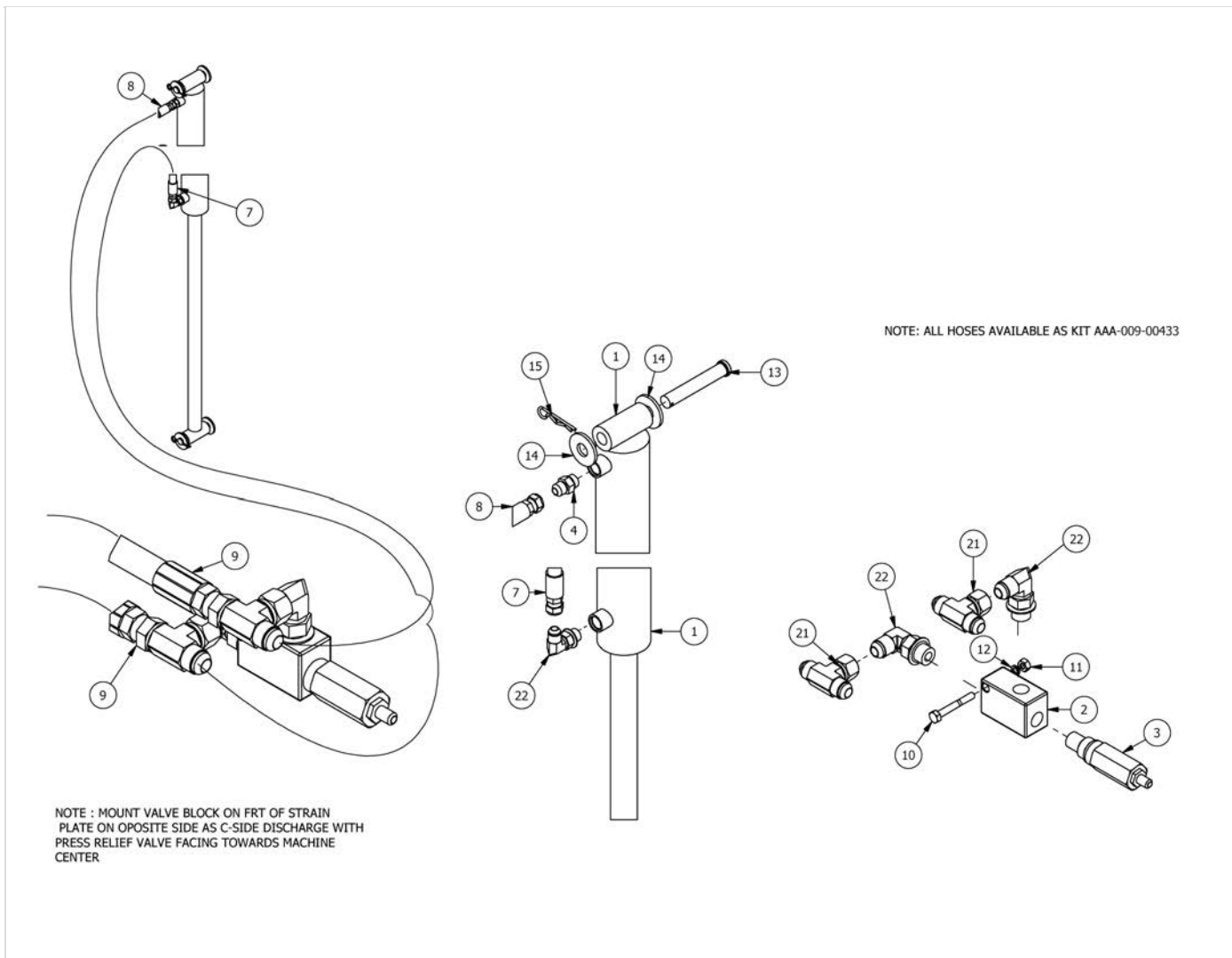


Pos	SKU	Description	Qty	Remark
1	AAB-009-00320	CYDR HYD 66 8 SAE PORTS	1	
2	AAB-015-00147	PIN PIVOT 3/4 X 4-1/2	2	
3	AAB-015-30015	WSHR FLAT 3/4 USS	2	
4	AAB-001-00019	PIN HTCH CLIP 1/8 X 2-9/16	2	
5	AAB-009-00341	FIT ADPT 8 FJIC X 8 MORB	1	
6	AAB-009-00080	FIT ADPT 8 MJIC X 10 MORB	1	
7	AAB-009-00110	VALVE PRESSURE RELIEF 400 PSI - #10 SAE THREAD	1	
8	AAB-009-00099	FIT 90DEG 8 MJIC X 10 MORB ADJ	2	
9	AAB-009-00076	FIT 90DEG 8 MJIC X ADJUST 8 MORB	1	
10	AAB-009-00029	FIT TEE 8 MJIC X 8 FJIC SWIVEL X 8 MJIC	1	
11	AAB-009-00088	FIT 90DEG 8 MJIC X 8 FJIC SWIVEL	1	
12	AAB-009-00175	HOSE HYD 1/2DIA SINGLE BRAID 8 FJIC X 8 MORB 540L 3000PSI	2	
13	AAA-009-00486	HOSE HYD 1/2DIA SINGLE BRAID 8 FJIC X 8 FJIC 24L 3000PSI	1	
14	AAB-009-00322	FIT ADPT 8 MQDC X 8 FORB BALL STYLE	2	



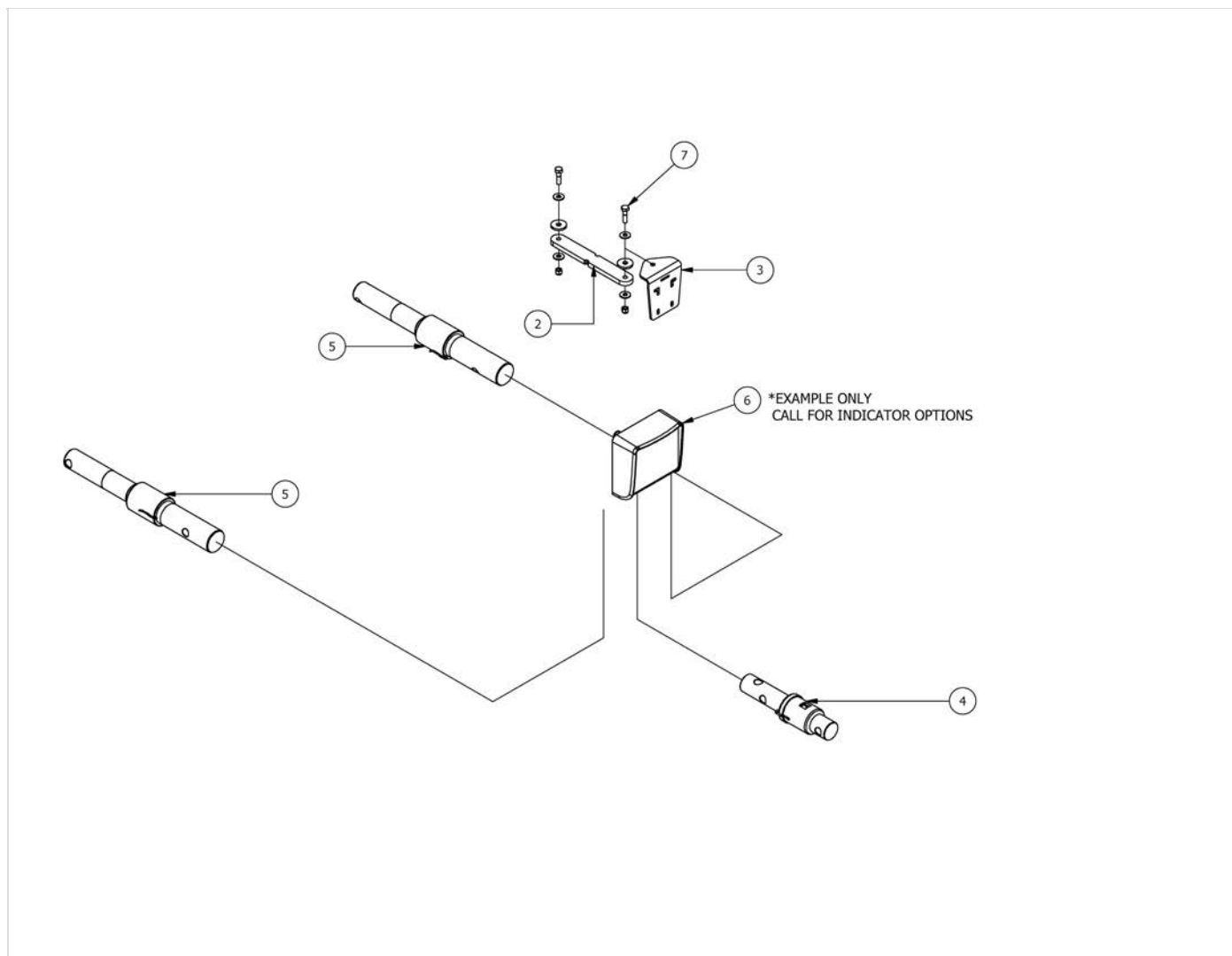
Pos	SKU	Description	Qty	Remark
1	AAA-009-00214-P3	CYDR HYD 66 8 SAE PORTS	1	
2	AAB-009-00698	FAJ BODY SAE 8 VALVE BLOCK	1	
3	AAB-009-00697	RDDA LDN @ 300 PSI PRESS RELIEF	1	
4	AAB-009-00087	FIT ADPT 8 MJIC X 8 MORB	4	
6	AAB-009-00700	HOSE HYD 1/2 DIA SINGLE BRAID 8FJIC X 8FJIC 225L	1	
7	AAB-009-00699	HOSE HYD 1/2DIA SINGLE BRAID 8FJIC X 8FJIC 195L	1	
8	AAB-009-00701	HOSE HYD 1/2 DIA SINGLE BRAID 8 FJIC X 8MORB 235L	2	
9	AAB-015-00147	PIN PIVOT 3/4 X 4-1/2	2	
10	AAB-001-00019	PIN HTCH CLIP 1/8 X 2-9/16	2	
11	AAB-015-30015	WSHR FLAT 3/4 USS	4	
12	AAB-015-10126	BOLT HEX 1/4 X 2 UNC GRD 5	1	
13	AAB-015-30038	WSHR LOCK 1/4	1	
14	AAB-015-20036	NUT HEX 1/4 UNC GRD 5	1	
15	AAB-009-00076	FIT 90DEG 8 MJIC X ADJUST 8 MORB	3	
16	AAB-009-00506	FIT TEE 8 MJIC x 8 MJIC x 8 FJIC SWIVEL	2	

Pos	SKU	Description	Qty	Remark
17	AAA-009-00432	KIT HOSE AND FIT FOR SINGLE & FRT TWIN C-SIDE	1	

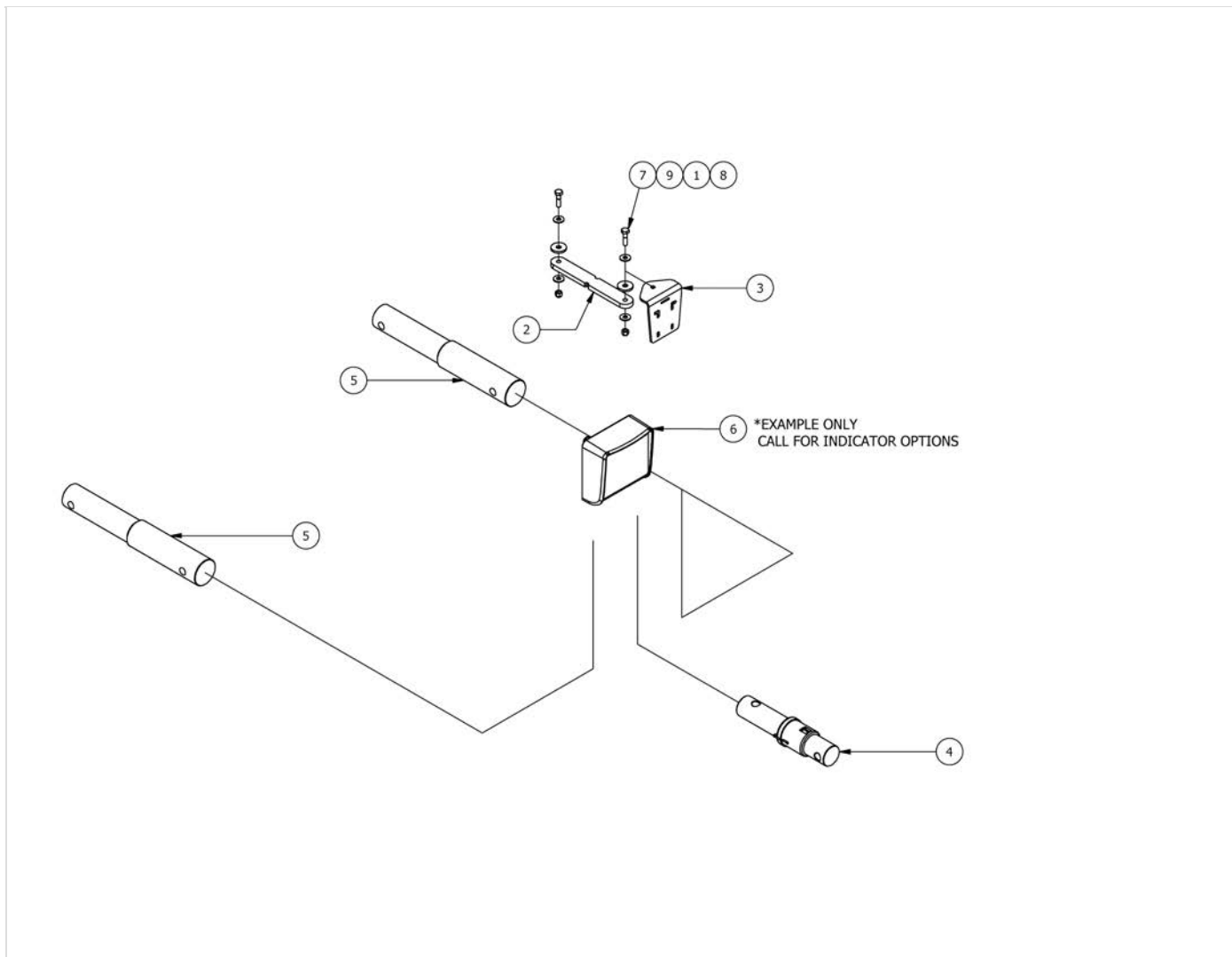


Pos	SKU	Description	Qty	Remark
1	AAA-009-00214-P3	CYDR HYD 66 8 SAE PORTS	1	
2	AAB-009-00698	FAJ BODY SAE 8 VALVE BLOCK	1	
3	AAB-009-00697	RDDA LDN @ 300 PSI PRESS RELIEF	1	
4	AAB-009-00087	FIT ADPT 8 MJIC X 8 MORB	4	
7	AAB-009-00700	HOSE HYD 1/2 DIA SINGLE BRAID 8FJIC X 8FJIC 225L	1	
8	AAB-009-00699	HOSE HYD 1/2DIA SINGLE BRAID 8FJIC X 8FJIC 195L	1	
9	AAB-009-00702	HOSE HYD 1/2 DIA SINGLE BRAID 8 FJIC X 8 MORB 320L	2	
10	AAB-015-10126	BOLT HEX 1/4 X 2 UNC GRD 5	1	
11	AAB-015-20036	NUT HEX 1/4 UNC GRD 5	1	
12	AAB-015-30038	WSHR LOCK 1/4	1	
13	AAB-015-00147	PIN PIVOT 3/4 X 4-1/2	2	
14	AAB-015-30015	WSHR FLAT 3/4 USS	4	
15	AAB-001-00019	PIN HTCH CLIP 1/8 X 2-9/16	2	
21	AAB-009-00506	FIT TEE 8 MJIC x 8 MJIC x 8 FJIC SWIVEL	2	
22	AAB-009-00076	FIT 90DEG 8 MJIC X ADJUST 8 MORB	3	

Pos	SKU	Description	Qty	Remark
23	AAA-009-00433	KIT HOSE AND FIT FOR REAR TWIN C-SIDE	1	



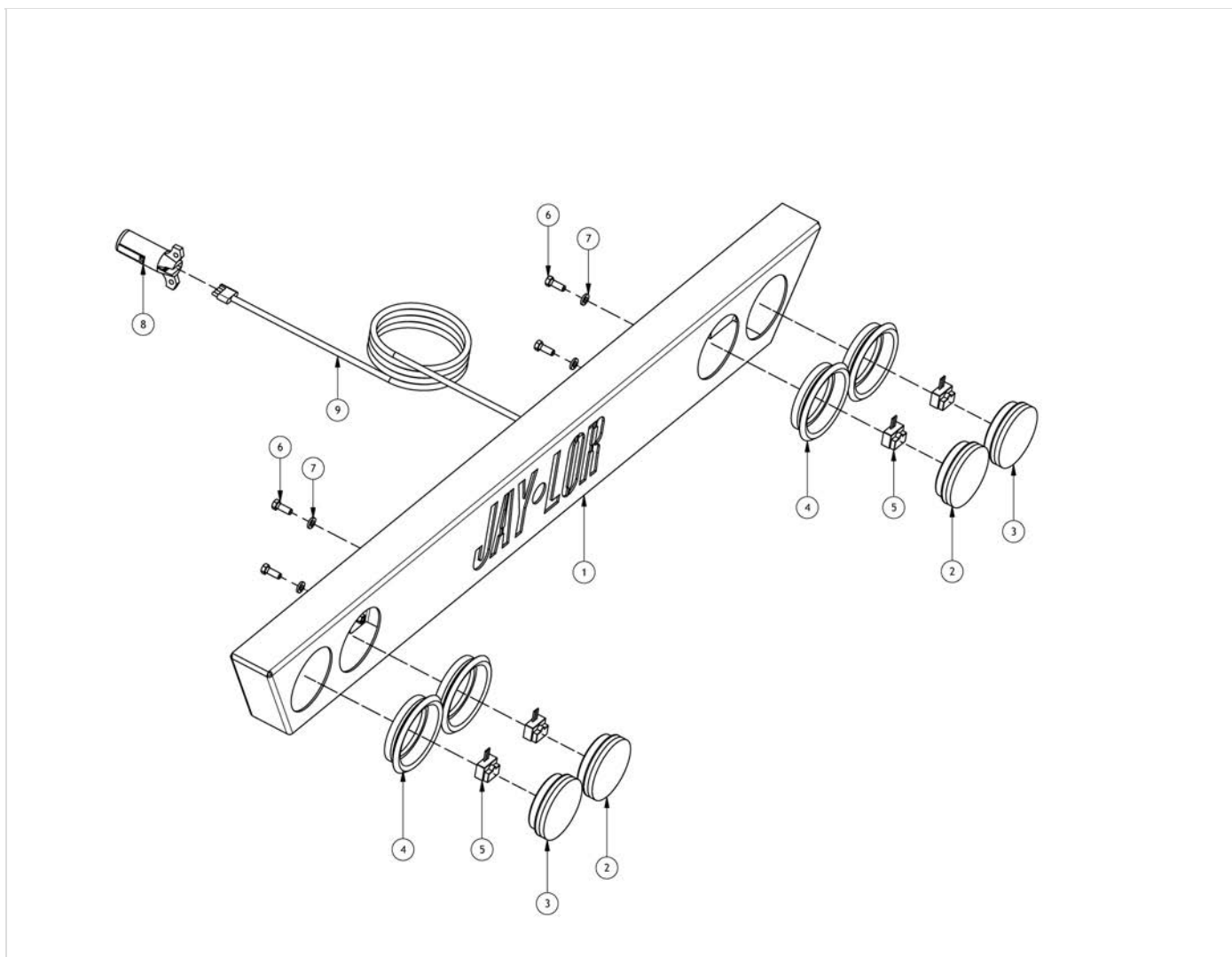
Pos	SKU	Description	Qty	Remark
1	AAA-000-00059	WSHR URETHANE 2DIA	2	
2	AAA-002-00995-P3	SCALE HEAD SWING ARM 5/8T (BLACK)	1	
3	AAA-010-00048	SCALE HEAD MNT BRKT (PAINTED)	1	
4	AAB-010-00194	DG WB 2-1/2DIA X 15-1/4L	1	
5	AAB-010-00195	DG WB 2-5/8DIA 3-1/8DIA X 26-1/4L	2	
6	AAB-010-00197	DG INDICTR - STAD 04	1	
7	AAB-015-10064	BOLT HEX 1/2 X 2 UNC GRD 5	2	
8	AAB-015-20019	NUT NYLON LOCK 1/2 UNC GRD 5	2	
9	AAB-015-30013	WSHR FLAT 1/2 USS	4	



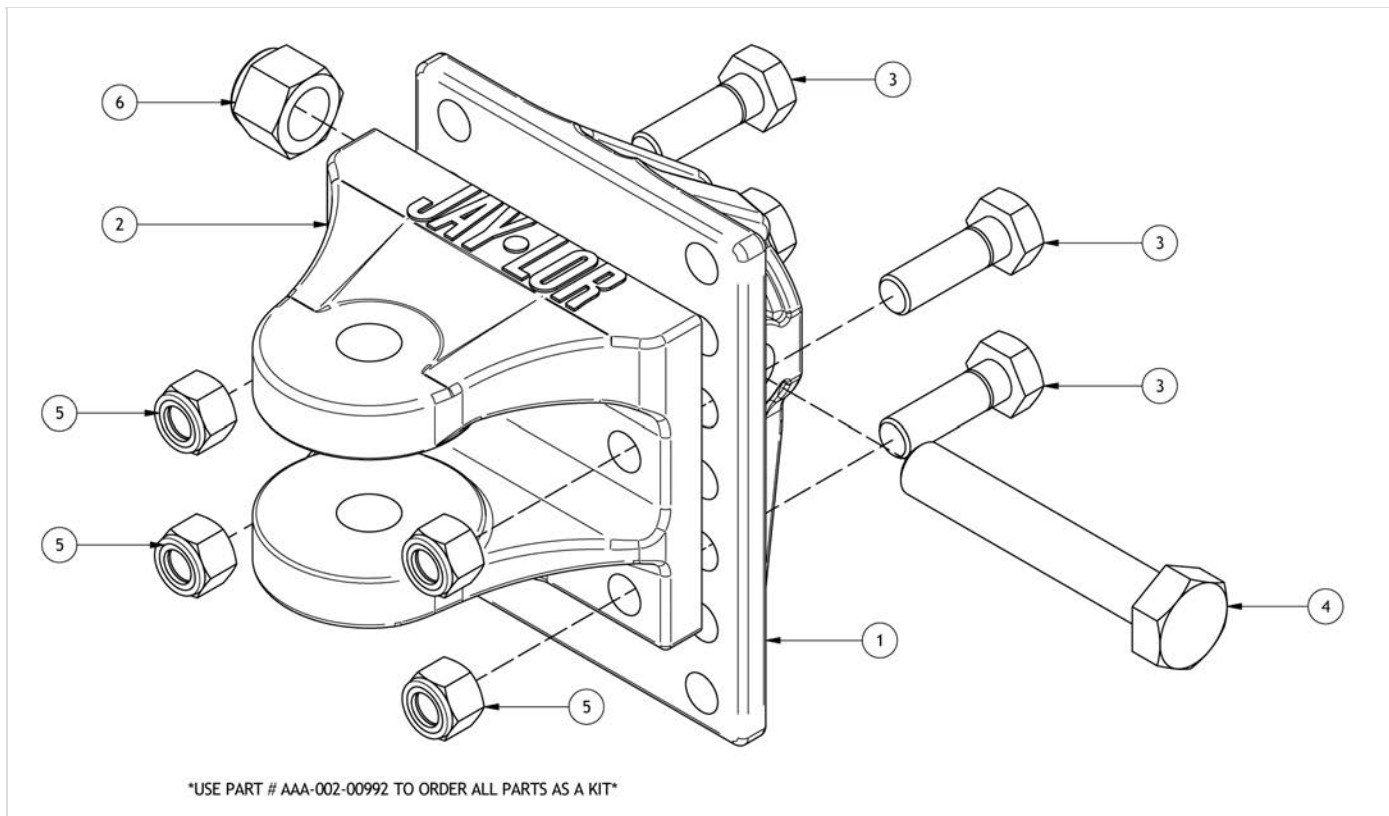
Pos	SKU	Description	Qty	Remark
1	AAA-000-00059	WSHR URETHANE 2DIA	2	
2	AAA-002-00995-P3	SCALE HEAD SWING ARM 5/8T (BLACK)	1	
3	AAA-010-00048	SCALE HEAD MNT BRKT (PAINTED)	1	
4	AAB-010-00191	DG WB 2-7/8DIA X 15-3/4L	1	
5	AAB-010-00192	DG WB 3-1/4DIA X 3-73/100DIA X 24-1/4L	2	
6	AAB-010-00197	DG INDICTR - STAD 04	1	
7	AAB-015-10064	BOLT HEX 1/2 X 2 UNC GRD 5	2	
8	AAB-015-20019	NUT NYLON LOCK 1/2 UNC GRD 5	2	
9	AAB-015-30013	WSHR FLAT 1/2 USS	4	



Pos	SKU	Description	Qty	Remark
1	AAB-010-00102	AWT 2-PIN POWER CORD 18' 12VDC (2-PIN MALE TRACTOR TO 2-PIN AWT)	1	
2	AAB-010-00103	AWT TRACTOR PLUG 10' 12VDC	1	
3	AAB-010-00106	AWT POWER SUPPLY WALL TRANSFORMER 115VAC TO 12VDC 1A	1	
4	AAB-010-00108	AWT V-MOUNT BRACKET, MACHINE END	1	
5	AAB-010-00115	AWT 4-WB, 5-PIN JUNCTION BOX	1	
6	AAB-010-00128	AWT 7-PIN 18' POWER CORD WITH AUXILIARY 4 PRONG PLUG	1	
7	AAB-010-00207	DG CABLE 33 FT FOR REMOTE DISPLAYS	1	
8	AAB-010-00209	DG REMOTE DISPLAY POWER CABLE 11FT6 FOR CAB DISPLAY & WEIGHT REPEATER	1	
9	AAB-010-00274	AWT ADAPTER CABLE 25' 5-PIN TO 5-PIN	1	
10	AAB-010-00285	DG CABLE FOR XL REMOTE DISPLAY & EXTRA DISPLAY (33 FT)	1	
11	AAB-010-00288	INDICATOR WB PORT CAP 14S-5 (17963-0062)	1	
12	AAB-010-00400	DG TRACTOR CABLE COBO AND FASTON CONNECTOR 3m L, P/N 989-0012	1	

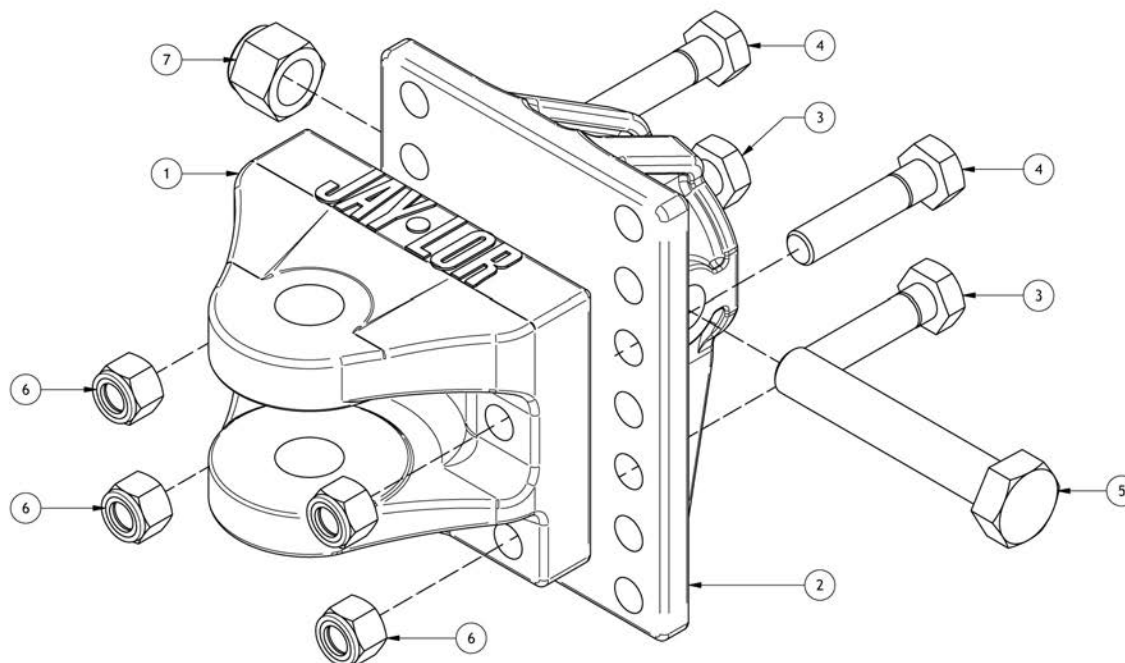


Pos	SKU	Description	Qty	Remark
1	AAA-018-00037-P3	LIGHTBAR RETRO PAINTED	1	
2	AAB-018-00131	4" SEALED STOP/TAIL/MARKER LAMP (GLOLIGHT)	2	
3	AAB-018-00132	4" SEALED PARKING/TURN SIGNAL (GLOLIGHT)	2	
4	AAB-018-00147	4" SIGNAL/BRAKE LIGHT GROMMET(GROTE 91740)	4	
5	AAB-018-00148	4" SIGNAL/BRAKE LIGHT PIGTAIL (66811)	4	
6	AAB-015-10056	BOLT HEX 3/8 X 1 UNC GRD 2	4	
7	AAB-015-30017	WSHR LOCK 3/8	4	
8	AAB-018-00002	PLUG ADPT RETRO 7-RND FOR LIGHT PACKAGES	1	
9	AAB-018-00146	30 FT 14/4 TRAILER CABLE W/ TRAILER 4 PRONG PLUG	1	



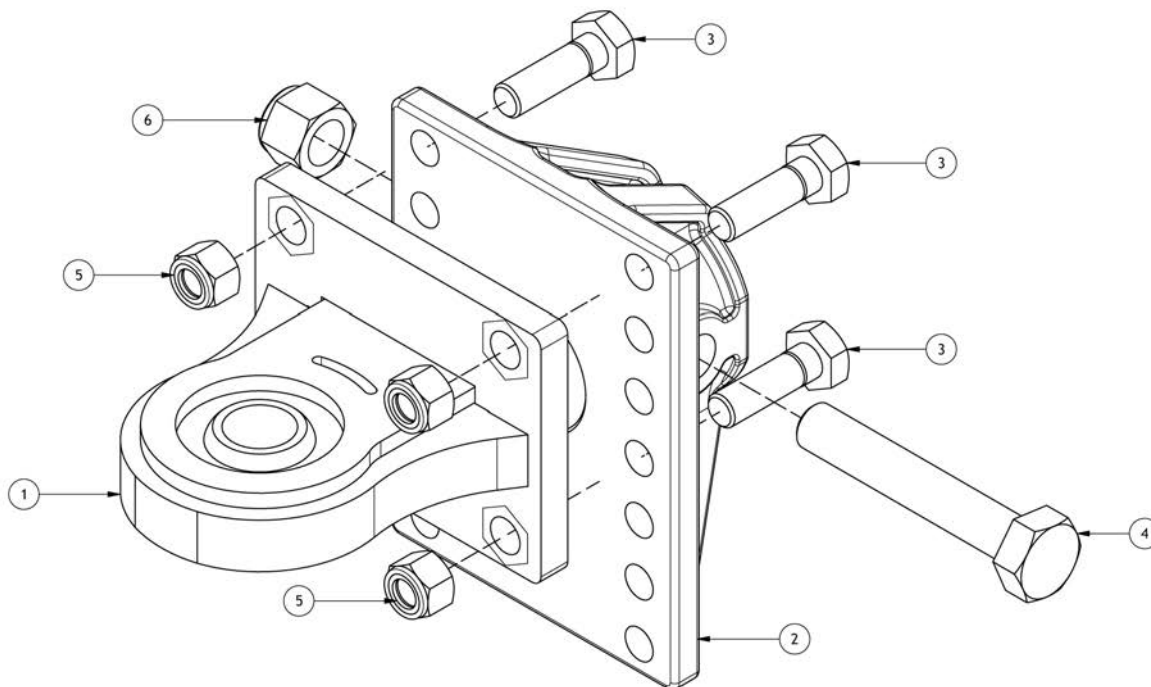
Pos	SKU	Description	Qty	Remark
1	AAB-002-00232-P3	CAST HTCH ADJUSTMENT PLATE 2.5DIA X 3.5OD X 3L (BLACK)	1	
2	AAB-002-00237-P3	CAST HTCH CLEVIS 7/8T (BLACK)	1	
3	AAB-015-10134	BOLT HEX 3/4 X 2-1/2 UNC GRD 8	4	
4	AAB-015-10215	HEX BOLT 1 X 6 UNC GRD 8	1	
5	AAB-015-20016	NUT HEX LOCK NYLON 3/4 UNC GRD 8	4	
6	AAB-015-20026	NUT HEX NYLOCK 1 UNC GRD 8	1	
7	AAA-002-00992	ADJUSTABLE CAST HITCH ASSY (4000/5000 SINGLES, 4650/4750, 5650/5750 & T-SERIES)	1	

USE PART # AAA-002-00993 TO ORDER ALL PARTS AS A KIT

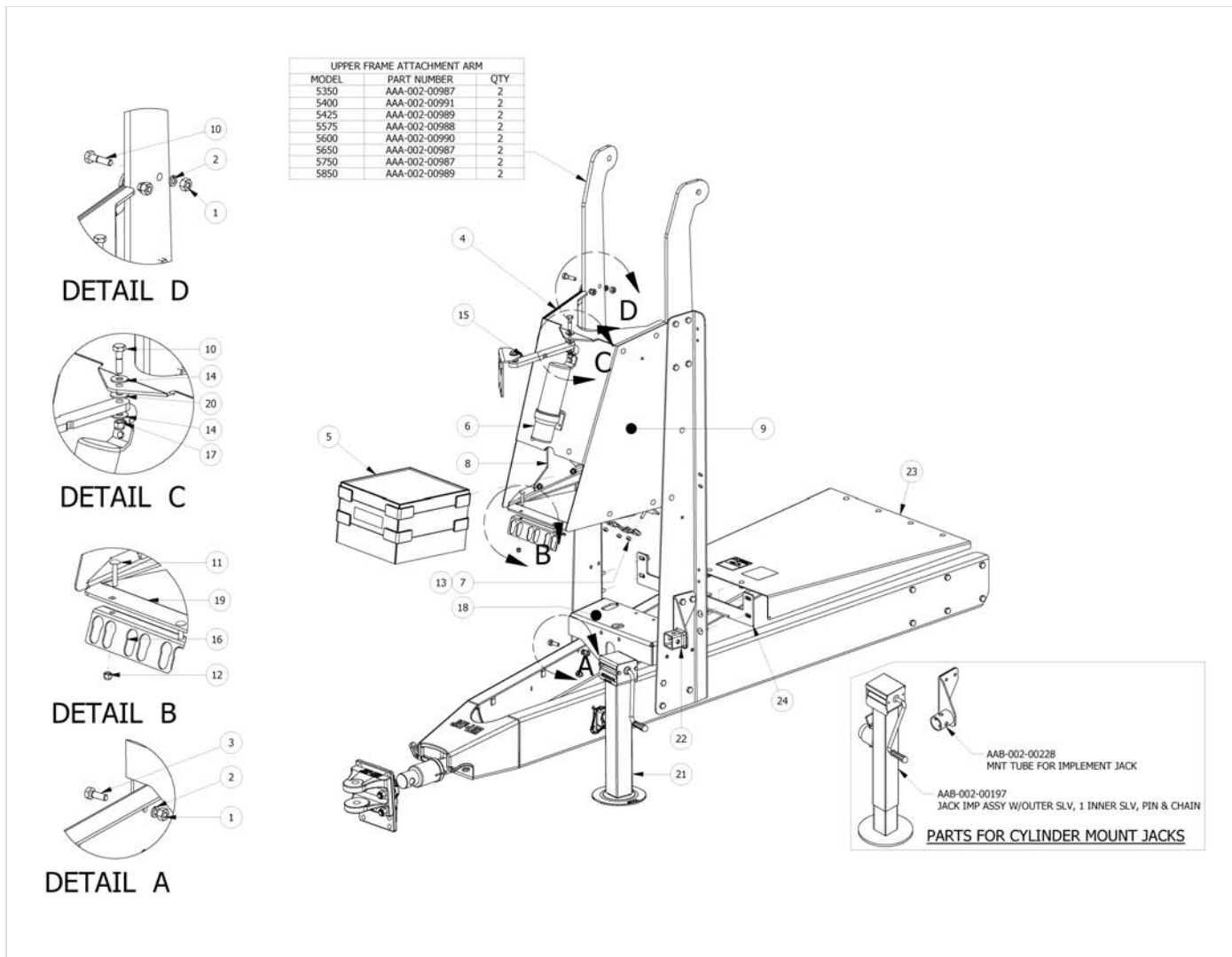


Pos	SKU	Description	Qty	Remark
1	AAB-002-00232-P3	CAST HTCH ADJUSTMENT PLATE 2.5DIA X 3.5OD X 3L (BLACK)	1	
2	AAB-002-00234-P3	CAST HTCH FRT WB TUBE 2.895DIA X 4OD X 3.25L (4850,4990) (BLACK)	1	
3	AAB-015-10135	BOLT HEX 3/4 X 3-1/4 UNC GRD 8	2	
4	AAB-015-10145	BOLT HEX 3/4 X 3-1/2 UNC GRD 8	2	
6	AAB-015-20016	NUT HEX LOCK NYLON 3/4 UNC GRD 8	4	
7	AAB-015-20026	NUT HEX NYLOCK 1 UNC GRD 8	1	
8	AAA-002-00993	ADJUSTABLE CAST HITCH ASSY (4850/4990 & HD SERIES)	1	
5	AAB-015-10215	HEX BOLT 1 X 6 UNC GRD 8	1	

USE PART # AAA-002-01202 TO ORDER ALL PARTS AS A KIT

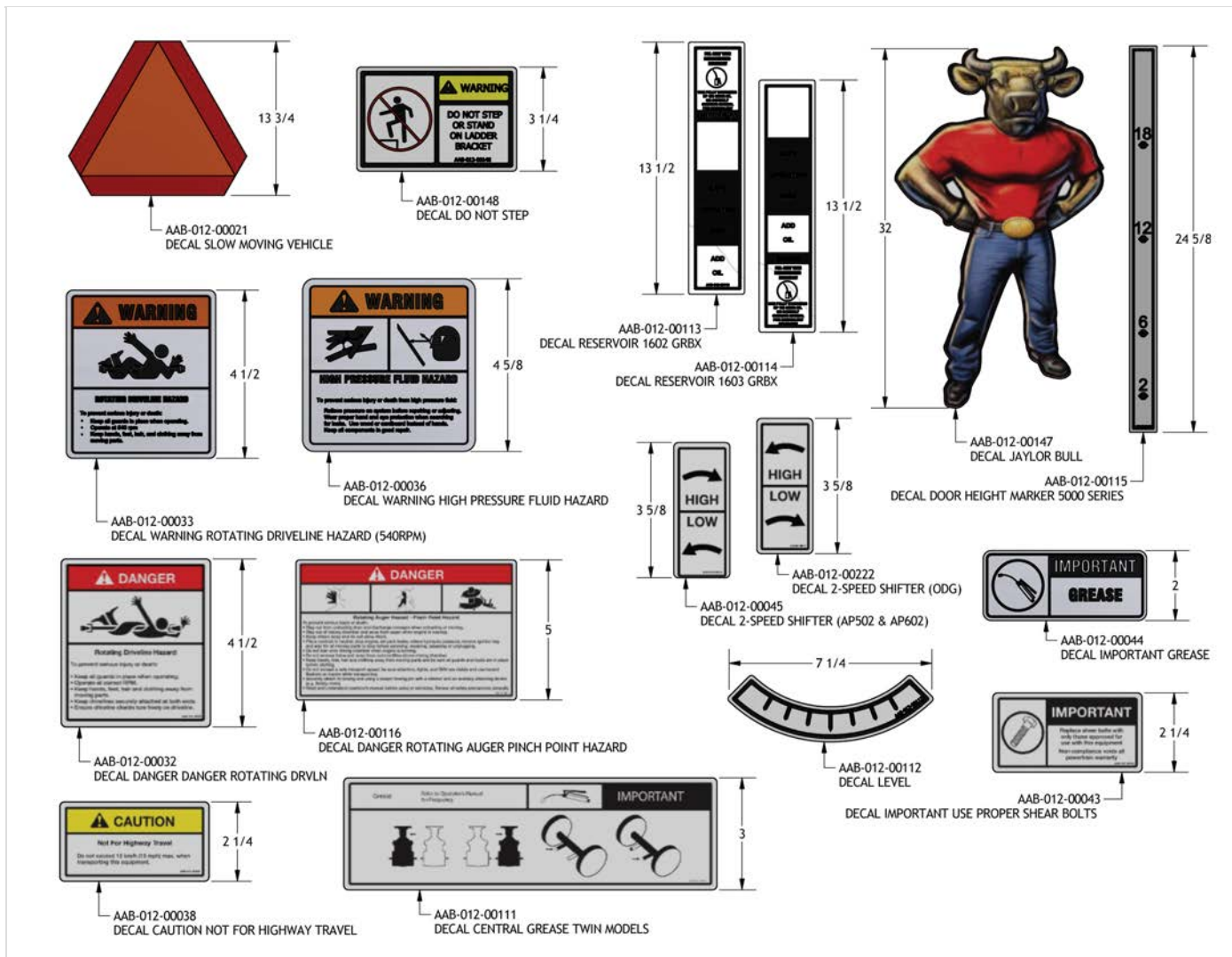


Pos	SKU	Description	Qty	Remark
1	AAA-002-00899	TOWING EYE HITCH FOR B6690 (INTENDED FOR CAT III)	1	
2	AAB-002-00234-P3	CAST HTCH FRT WB TUBE 2.895DIA X 4OD X 3.25L (4850,4990) (BLACK)	1	
3	AAB-015-10134	BOLT HEX 3/4 X 2-1/2 UNC GRD 8	4	
4	AAB-015-10215	HEX BOLT 1 X 6 UNC GRD 8	1	
5	AAB-015-20016	NUT HEX LOCK NYLON 3/4 UNC GRD 8	4	
6	AAB-015-20026	NUT HEX NYLOCK 1 UNC GRD 8	1	
7	AAA-002-01202	BALL HITCH ASSY KIT	1	



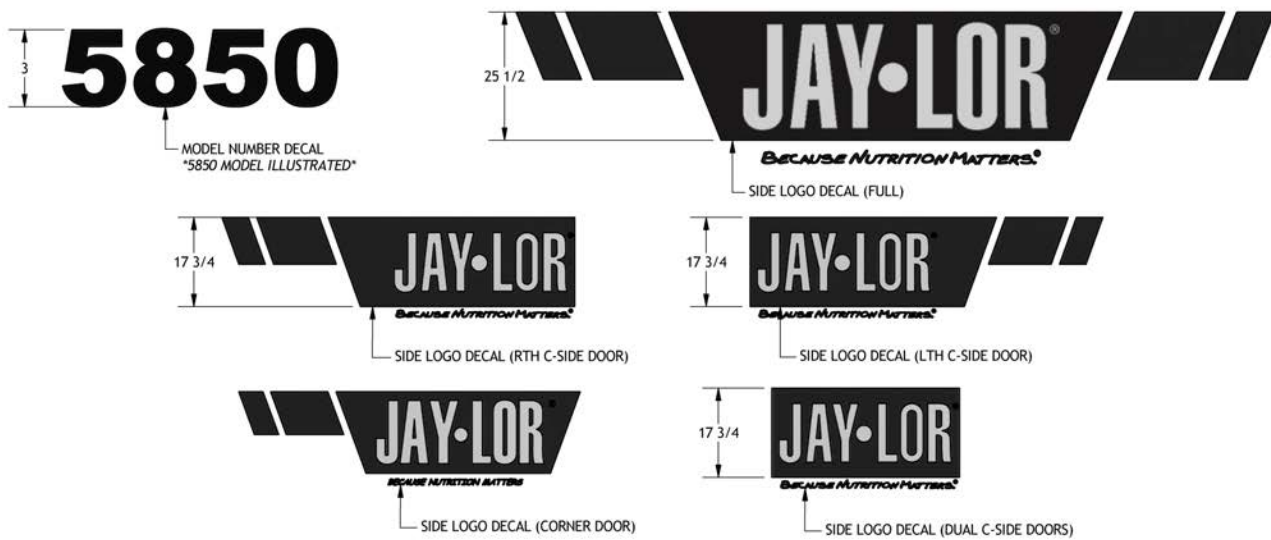
Pos	SKU	Description	Qty	Remark
1	AAB-015-20011	NUT HEX 1/2 UNC GRD 5	18	
2	AAB-015-30018	WSHR LOCK 1/2	18	
3	AAB-015-10063	BOLT HEX 1/2 X 1-1/2 UNC GRD 5	8	
4	AAA-002-00975	5000 SERIES FRT HOOD CAP 1/4T	1	
5	AAA-000-00171	JAYLOR PARTICLE SEPARATOR (3 TIER / 2 SIEVE - AUG22-2012)	1	
6	AAB-002-00001	MANUAL HOLDER	1	
7	AAB-015-20017	NUT HEX 3/8 UNC GRD 2	18	
8	AAA-002-00981	BATTERY MNT PLT 1/4T (PAINTED)	1	
9	AAA-002-00982	5000 SERIES HOOD 1/8T	1	
10	AAB-015-10064	BOLT HEX 1/2 X 2 UNC GRD 5	10	
11	AAB-015-10081	BOLT CARRIAGE 3/8 X 2 UNC GRD 5	5	
12	AAB-015-20012	NUT HEX 3/8 LOCK NYLON GRD 2	3	
13	AAA-002-00343	CLIP HYD HOSE ZINC	4	
14	AAB-015-30013	WSHR FLAT 1/2 USS	4	
15	AAA-002-00995-P3	SCALE HEAD SWING ARM 5/8T (BLACK)	1	
16	AAA-002-00994-P3	HOSE CLAMP 1/8T (PAINTED)	1	

Pos	SKU	Description	Qty	Remark
17	AAB-015-20019	NUT NYLON LOCK 1/2 UNC GRD 5	2	
18	AAA-002-01041	MNT FLNG BRNG 5000 (PAINTED)	1	
19	AAA-002-00983	BOTTOM CAP HOOD 1/4T (PAINTED)	1	
20	AAB-000-00004	TPR RUBR WSHR 1-1/2OD X 1/2ID X 1/8T BLACK	2	
21	AAB-002-00663	SIMOL 4T JACK IMP ASSY W/OUTER SLV, PIN & CHAIN	1	
22	AAA-002-02065-P3	SQR TUBE JACK HOLDER (BLACK)	1	
23	AAA-002-01089	PTO SHIELD 1/8T (CORNER DOOR, C-SIDES AND NON CNVR 5000)	1	
24	AAA-002-01090	PTO SHIELD MNT BRKT 1/4T	1	
26	AAB-002-00228	MNT TUBE FOR IMPLEMENT JACK	1	
27	AAB-002-00197	JACK IMP ASSY W/OUTER SLV, 1 INNER SLV, PIN & CHAIN	1	
25	AAA-002-00987	UPPR FRAME ATTCH ARM 5/8T (5350 & 5650 / 5750)	1	
25	AAA-002-00988	UPPR FRAME ATTCH ARM 5/8T (5575)	1	
25	AAA-002-00989	UPPR FRAME ATTCH ARM 5/8T (5425, 5850,5990)	1	
25	AAA-002-00990	UPPR FRAME ATTCH ARM 5/8T (600 LP)	1	MODEL: 5600
25	AAA-002-00991	UPPR FRAME ATTCH ARM 5/8T (400 LP)	1	MODEL: 5400



Pos	SKU	Description	Qty	Remark
1	AAB-012-00021	DECAL SLOW MOVING VEHICLE	1	
2	AAB-012-00148	DECAL DO NOT STEP	1	
3	AAB-012-00113	DECAL RESERVOIR 1602 GRBX	1	
4	AAB-012-00114	DECAL RESERVOIR 1603 GRBX	1	
5	AAB-012-00147	DECAL JAYLOR BULL	1	
6	AAB-012-00033	DECAL WARNING ROTATING DRVLN HAZARD 540 RPM	1	
7	AAB-012-00036	DECAL WARNING HIGH PRESSURE FLUID HAZARD	1	
8	AAB-012-00045	DECAL 2-SPD SHIFTER	1	
9	AAB-012-00222	DECAL ODG 2-SPEED SHIFTER	1	
10	AAB-012-00115	DECAL DOOR HEIGHT MARKER 5000 SERIES	1	
11	AAB-012-00044	DECAL IMPORTANT GREASE	1	
12	AAB-012-00032	DECAL DANGER ROTATING DRVLN	1	
13	AAB-012-00116	DECAL DANGER ROTATING AUGER PINCH POINT HAZARD	1	
14	AAB-012-00112	DECAL LEVEL	1	
15	AAB-012-00043	DECAL IMPORTANT USE PROPER SHEAR BOLTS	1	
16	AAB-012-00038	DECAL CAUTION NOT FOR HIGHWAY TRAVEL	1	

Pos	SKU	Description	Qty	Remark
17	AAB-012-00111	DECAL CENTRAL GREASE TWIN MODELS	1	



NOTE: LENGTH & WIDTH OF SIDE LOGO DECAL VARRIES WITH MODEL

Parts List - Single Auger Mixers					
DECAL	5150	5350	5400	5425	5575
MODEL NUMBER DECAL	AAB-012-00171	AAB-012-00129	AAB-012-00136	AAB-012-00130	AAB-012-00131
SIDE LOGO DECAL (FULL)	AAB-012-00172	AAB-012-00121	AAB-012-00122	AAB-012-00123	AAB-012-00124
SIDE LOGO DECAL (CORNER DOOR)	N/A	AAB-012-00151	AAB-012-00154	AAB-012-00152	AAB-012-00153

Parts List - Twin Auger Mixers									
DECAL	5275	5600	5650	5750	5850	5750HD	5850HD	51000HD	51250HD
MODEL NUMBER DECAL	AAB-012-00159	AAB-012-00135	AAB-012-00133	AAB-012-00134	AAB-012-00132	AAB-012-00150	AAB-012-00137	AAB-012-00138	AAB-012-00139
SIDE LOGO DECAL (FULL)	AAB-012-00161	AAB-012-00125	AAB-012-00126	AAB-012-00126	AAB-012-00127	AAB-012-00126	AAB-012-00127	AAB-012-00128	AAB-012-00128
SIDE LOGO DECAL (RTH C-SIDE DOOR)	AAB-012-00162	N/A	N/A	N/A	N/A	N/A	N/A	N/A	N/A
SIDE LOGO DECAL (LTH C-SIDE DOOR)	AAB-012-00163	N/A	N/A	N/A	N/A	N/A	N/A	N/A	N/A
SIDE LOGO DECAL (DUAL C-SIDE DOORS)	AAB-012-00164	N/A	N/A	N/A	N/A	N/A	N/A	N/A	N/A

Pos	SKU	Description	Qty	Remark
1	AAB-012-00171	MODEL DECAL 5150	1	
1	AAB-012-00172	DECAL 5150 SIDE	1	
2	AAB-012-00121	DECAL 5350 SIDE	1	
2	AAB-012-00129	MODEL DECAL 5350	1	
2	AAB-012-00151	DECAL 5350 SIDE CORNER DOOR	1	
3	AAB-012-00122	DECAL 5400 SIDE	1	
3	AAB-012-00136	MODEL DECAL 5400	1	
3	AAB-012-00154	DECAL 5400 SIDE CORNER DOOR	1	
4	AAB-012-00123	DECAL 5425 SIDE	1	
4	AAB-012-00130	MODEL DECAL 5425	1	
4	AAB-012-00152	DECAL 5425 SIDE CORNER DOOR	1	
5	AAB-012-00124	DECAL 5575 SIDE	1	
5	AAB-012-00131	MODEL DECAL 5575	1	
5	AAB-012-00153	DECAL 5575 SIDE CORNER DOOR	1	
6	AAB-012-00159	MODEL DECAL 5275	1	
6	AAB-012-00161	DECAL 5275 SIDE	1	
6	AAB-012-00162	DECAL 5275 SIDE (C-SIDE LTH)	1	

Pos	SKU	Description	Qty	Remark
6	AAB-012-00163	DECAL 5275 SIDE (C-SIDE RTH)	1	
6	AAB-012-00164	DECAL 5275 SIDE (DUAL C-SIDE)	1	
7	AAB-012-00125	DECAL 5600 SIDE	1	
7	AAB-012-00135	MODEL DECAL 5600	1	
8	AAB-012-00126	DECAL 5650 & 5750 SIDE	1	
8	AAB-012-00133	MODEL DECAL 5650	1	
9	AAB-012-00126	DECAL 5650 & 5750 SIDE	1	
9	AAB-012-00134	MODEL DECAL 5750	1	
10	AAB-012-00127	DECAL 5850 SIDE	1	
10	AAB-012-00132	MODEL DECAL 5850	1	
11	AAB-012-00126	DECAL 5650 & 5750 SIDE	1	
11	AAB-012-00150	MODEL DECAL 5750HD	1	
12	AAB-012-00127	DECAL 5850 SIDE	1	
12	AAB-012-00137	MODEL DECAL 5850HD	1	
13	AAB-012-00128	DECAL 51000 & 51250 SIDE	1	
13	AAB-012-00138	MODEL DECAL 51000HD	1	
14	AAB-012-00128	DECAL 51000 & 51250 SIDE	1	
14	AAB-012-00139	MODEL DECAL 51250HD	1	