



Lumec **SoleCity** family, going beyond decorative functional outdoor lighting to help you create a unique, stunning and harmonious look for any public space.

Project: _____
 Location: _____
 Cat.No: _____
 Type: _____
 Lamps: _____ Qty: _____
 Notes: _____

Ordering guide

example: ULS100-110W64LED4K-G2-LE3-120-DMG-UBS100-1A-UPS100-12-BKTX

Series	LED Module	Board Gen	Optical System	Volts	Driver Options	Luminaire Options	Bracket	Config.	Pole Type	Height	Finish
ULS100		G2									
ULS100 SoleCity (small)	3000K	G2	LE2 Type II (ASYM) LE3 Type III (ASYM) LE4 Type IV (ASYM) UNV	120	AST ¹	HS	UBS100	1A	UPS100 UPS100S	8	Textured
	35W32LED3K			208	Pre-set driver for progressive start-up	House Side Shield		2 ³		9	BE2TX
	55W32LED3K			240	8 hrs. 25% reduction	Dynadimmer				10	Midnight Blue
	55W48LED3K			277	8 hrs. 50% reduction	Photoelectric Cell				11	BE6TX
	80W48LED3K			347	8 hrs. 75% reduction	Twist-lock Photoelectric Cell				12	Ocean Blue
	70W64LED3K			480	6 hrs. 25% reduction	Shorting cap					BE8TX
	110W64LED3K			UNV	6 hrs. 50% reduction	Twist-lock Photoelectric Cell, extended life					Royal Blue
	90W80LED3K				6 hrs. 75% reduction	Receptacle for twist-lock photocell or shorting cap, 3-pin					BG2TX
	135W80LED3K				4 hrs. 25% reduction	Receptacle					Sandstone
					4 hrs. 50% reduction	for twist-lock photocell or shorting cap, 3-pin					BKTX
	4000K				4 hrs. 75% reduction	Receptacle					Black
	35W32LED4K				Dimming level determined by user	7-pin					BRTX
	55W32LED4K				CLO ¹	Pre-set driver to manage lumen depreciation					Bronze
	55W48LED4K				DALI ¹	Pre-set, compatible with the DALI control system					GN4TX
	80W48LED4K				DMG	0-10V					Blue Green
	70W64LED4K				OTL ¹	Pre-set driver to signal end of life of the lamp					GN6TX
	110W64LED4K										Forest Green
	90W80LED4K										GN8TX
	135W80LED4K										Dark Forest Green
											GNTX
											Green
											GY3TX
											Medium Grey
											RD2TX
						Burgundy					
						RD4TX					
						Scarlet					
						WHTX					
						White					
						Non-Textured					
						GR					
						Gray Sandtex					
						NP					
						Natural Aluminum					
						TG					
						Hammertone Gold					

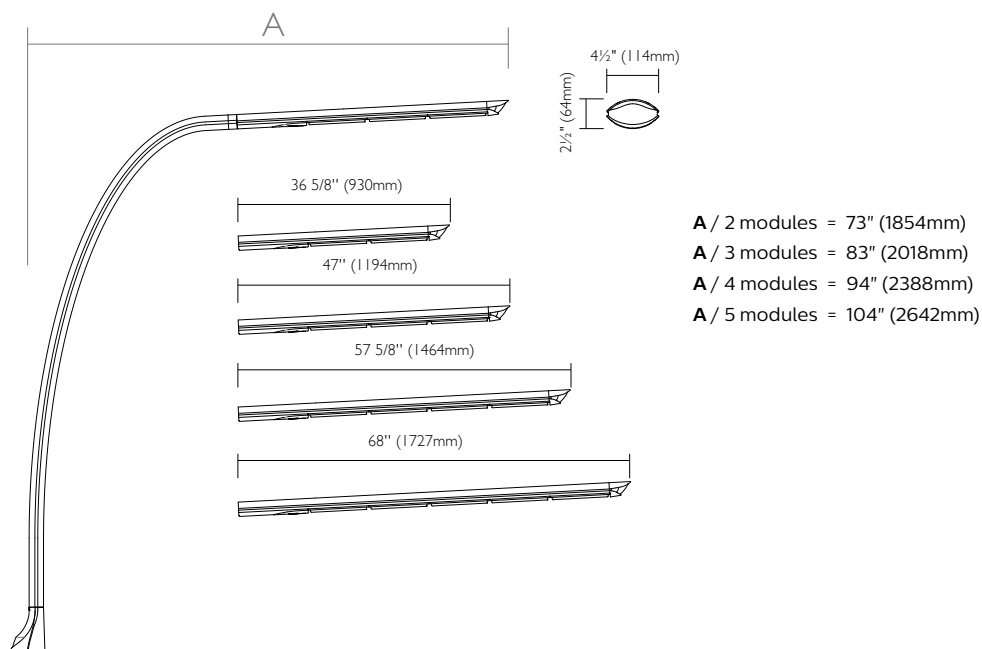
1. Not available 347-480 volt.
 2. Use of photoelectric cell or shorting cap is required to ensure proper illumination.
 3. Mid-pole Luminaire Not Available with this configuration.
 4. The RCD7 is located on top of the luminaire. In case of 2 luminaires configuration, only one 7-pin receptacle is installed.
 Note: If 7 pin receptacle is required contact factory.



ULS100 SoleCity LED Street & Area (small)

Urban Luminaire

Dimensions



LED Module	Total LEDs	LED Current (mA)	Average System Wattas (W)	LE2			LE3			LE4		
				Delivered Lumens (LM)	Efficacy (LPW)	BUG rating	Delivered Lumens (LM)	Efficacy (LPW)	BUG rating	Delivered Lumens (LM)	Efficacy (LPW)	BUG rating
3000K												
35W32LED3K-G2	32	350	37	3704	101	B1-U2-G1	3672	100	B1-U2-G2	3582	98	B1-U2-G2
55W32LED3K-G2	32	350	55	5313	97	B1-U2-G2	5267	96	B1-U3-G2	5138	93	B1-U3-G3
55W48LED3K-G2	48	350	54	5556	103	B1-U2-G2	5508	102	B1-U3-G2	5373	99	B1-U3-G3
80W48LED3K-G2	48	530	82	7969	97	B2-U3-G2	7901	96	B1-U3-G3	7707	94	B1-U3-G3
70W64LED3K-G2	64	350	69	7408	107	B2-U3-G2	7344	106	B1-U3-G3	7164	104	B1-U3-G3
110W64LED3K-G2	64	530	105	10626	101	B2-U3-G3	10534	100	B2-U3-G3	10276	98	B1-U3-G4
90W80LED3K-G2	80	350	85	9260	109	B2-U3-G2	9180	108	B2-U3-G3	8955	105	B1-U3-G3
135W80LED3K-G2	80	530	131	13282	101	B2-U3-G3	13168	101	B2-U3-G3	12845	98	B1-U3-G4
4000K												
35W32LED4K-G2	32	350	37	4399	120	B1-U2-G1	4361	119	B1-U2-G2	4255	116	B1-U2-G2
55W32LED4K-G2	32	350	55	6310	115	B1-U2-G2	6256	114	B1-U3-G2	6103	111	B1-U3-G3
55W48LED4K-G2	48	350	54	6599	122	B1-U3-G2	6542	121	B1-U3-G2	6382	118	B1-U3-G3
80W48LED4K-G2	48	530	82	9466	115	B2-U3-G2	9384	114	B2-U3-G3	9154	112	B1-U3-G3
70W64LED4K-G2	64	350	69	8799	128	B2-U3-G2	8723	126	B1-U3-G3	8509	123	B1-U3-G3
110W64LED4K-G2	64	530	105	12621	120	B2-U3-G3	12512	119	B2-U3-G3	12205	116	B2-U3-G4
90W80LED4K-G2	80	350	85	10999	129	B2-U3-G3	10904	128	B2-U3-G3	10636	125	B2-U3-G4
135W80LED4K-G2	80	530	131	15776	120	B3-U3-G3	15640	119	B2-U3-G4	15256	116	B2-U3-G5

Values from photometric tests performed in accordance with IESNA LM-79 and are representative of the configurations shown. Actual performance may vary due to installation and environmental variables, LED and driver tolerances, and field measurement considerations. It is highly recommended to confirm performance with a photometric layout. Note: Some data may be scaled based on tests of similar (but not identical) luminaires. Contact factory for configurations not shown.

ULS100 SoleCity LED Street & Area (small)

Urban Luminaire

Specifications

Housing

Exclusive shape made of extruded 6061-T6 Aluminum alloy 0.188 (4.8mm) minimum thickness. Mechanically assembled on a rectangular tenon having 1" x 1 1/2" (25mm x 38mm) by 7 1/4" (184mm) long. Comes with 2 hexagonal bolts 1/2 13 UNC for ease of maintenance and installation. The housing is complete with a secured door avoiding accidental dropping giving access to the quick disconnect wiring connection.

End Cap: Made of cast A356 Aluminum alloy 0.188 (4.8mm) minimum thickness, mechanically assembled to the housing.

Light engine

LED engine composed of 5 main components: Heat Sink / Lens / LED lamp / Driver / Optical System. Electrical components are RoHS compliant.

LED engine

Composed of high-performance white LEDs. Color temperature as per ANSI/NEMA bin Neutral White, 4000 Kelvin nominal (3985K +/- 275K or 3710K to 4260K) or Warm white, 3000 Kelvin nominal (3045K +/- 175K or 2870K to 3220K), CRI 70 Min. 75 Typical.

Lens

Made of clear polycarbonate curved lens, permanently assembled and sealed onto the lower part of the heat sink.

Heat sink

Made of cast aluminum optimizing the LEDs efficiency and life. Product does not use any cooling device with moving parts (only passive cooling device).

Optical system

Composed of high performance optical grade PMMA acrylic refractor lenses to achieve desired distribution optimized to get maximum spacing, target lumens and a superior lighting uniformity. Optical system is rated IP66. Performance shall be tested per LM 63, LM 79 and TM 15 (IESNA) certifying its photometric performance. Street side indicated.

LE2: Type II (ASYM)

LE3: Type III (ASYM)

LE4: Type IV (ASYM)

Driver

Driver comes standard with dimming compatible 0-10V. High power factor of 90% minimum. Electronic driver, operating range 50/60 Hz. Auto adjusting universal voltage input from 120 to 277 or 347 to 480 VAC rated for both application line to line or line to neutral, Class I, THD of 20% max. Maximum ambient operating temperature from 40°F (40°C) to 130°F (55°C). Certified in compliance to UL1310 cULus requirement. Dry and damp location. Assembled on a unitized removable tray with Tyco quick disconnect plug resisting to 221°F (105°C). The current supplying the LEDs will be reduced by the driver if the driver experiences internal overheating as a protection to the LEDs and the electrical components. Output is protected from short circuits, voltage overload and current overload. Automatic recovery after correction. Standard built in driver surge protection of 2.5kV (min).

Surge protector

Surge protector tested in accordance with ANSI/IEEE C62.45 per ANSI/IEEE C62.41.2 Scenario I Category C High Exposure 10kV/10kA waveforms for Line Ground, Line Neutral and Neutral Ground, and in accordance with U.S. DOE (Department of Energy) MSSLC (Municipal Solid State Street Lighting Consortium) model specification for LED roadway luminaires electrical immunity requirements for High Test Level 10kV / 10kA.

Driver options

AST: Pre-set driver for progressive start-up of the LED module(s) to optimize energy management and enhance visual comfort at start-up.

CLO: Pre-set driver to manage the lumen depreciation by adjusting the power given to the LEDs offering the same lighting intensity during the entire lifespan of the LED module.

OTL: Pre-set driver to signal end of life of the LED module(s) for better fixture management.

DALI: Pre-set driver compatible with the DALI control system.

DMG: Dimmable driver 0-10V.

CDMG: Dynadimmer standard dimming functionalities including pre-programmed scenarios to suit many applications and needs from safety to maximum energy savings.

Ordering Code	Dimming		
	Scenario	Time	Level
CDMGS25	Safety	4 hours	25% power
CDMGS50	Safety	4 hours	50% power
CDMGS75	Safety	4 hours	75% power
CDMGM25	Median	6 hours	25% power
CDMGM50	Median	6 hours	50% power
CDMGM75	Median	6 hours	75% power
CDMGE25	Economy	8 hours	25% power
CDMGE50	Economy	8 hours	50% power
CDMGE75	Economy	8 hours	75% power

ULS Luminaire Options

HS: House Side Shield

OVR: Dynadimmer override function offering the possibility to go back to full power at any time via an electrical signal of 120VAC to 277VAC from a motion sensor, a switch, a relay or else.

PH8: Twist-lock Photoelectric Cell

PH9: Shorting cap

PHXL: Twist-lock Photoelectric Cell, extended life

UD: (only available for ULR100) - upright deflector option

RC: Receptacle for twist-lock photocell or shorting cap, 3-pin

RCD7: Receptacle for twist-lock photocell or shorting cap, 7-pin

Finish

In accordance with the AAMA 2603 standard. Application of polyester powder coat paint (4 mils/100 microns) with +/- 1 mils/24 microns of tolerance. The Thermosetting resins provides a discoloration resistant finish in accordance with the ASTM D2244 standard, as well as luster retention in keeping with the ASTM D523 standard and humidity proof in accordance with the ASTM D2247 standard. The surface treatment achieves a minimum of 2000 hours for salt spray resistant finish in accordance with testing performed and per ASTM B117 standard.

Textured Finish Options:

BE2TX: Midnight Blue
BE6TX: Ocean Blue
BE8TX: Royal Blue
BG2TX: Sandstone
BKTX: Black
BRTX: Bronze
GN4TX: Blue Green
GN6TX: Forest Green
GN8TX: Dark Forest Green
GNTX: Green
GY3TX: Medium Grey
RD2TX: Burgundy
RD4TX: Scarlet
WHTX: White

Non-Textured Finish Options:

GR: Gray Sandtex
NP: Natural Aluminum
TG: Hammer-tone Gold

Luminaire useful life

Refer to IES files for energy consumption and delivered lumens for each option. Based on ISTMT in situ thermal testing in accordance with UL1598 and UL8750, using LM-80 data from LED manufacturers and engineering prediction methods, the luminaire useful life is expected to reach 100,000+ hours with >L70 lumen maintenance @ 25°C. Luminaire Useful Life accounts for LED lumen maintenance AND all of these additional factors including: LED life, driver life, PCB substrate, solder joints, on/off cycles, burning hours and corrosion. Entire luminaire is rated for operation in ambient temperature of -40°C / -40°F up to +35°C / +95°F.

ULS100 SoleCity LED Street & Area (small)

Urban Luminaire

Specifications (continued)

Hardware

All exposed screws shall be complete with Ceramic primer-seal base coat to reduce seizing of the parts and offers a high resistance to corrosion. All seals and sealing devices are made and/or lined with EPDM and/or silicone and/or rubber.

Wiring

Wiring completely included with connector. Length supplied is from luminaire to the pole base with 6" (152mm) minimum exceeding from maintenance opening. If ULR100 Mid Pole Option or ULFL100 Flood Light option is included, wiring will be shipped in a separate box and will be installed by others, only the bracket is pre wired for ease of installation.

Quality control

Manufactured to ISO 9001 2008 standards and ISO 14001-2004 International Quality Standards Certification.

LED products (manufacturing standard)

The electronic components sensitive to electrostatic discharge (ESD) such as light emitting diodes (LEDs) are assembled in compliance with IEC61340 5 1 and ANSI/ ESD S20.20 standards so as to eliminate ESD events that could decrease the useful life of the product.

Certifications and Compliance

Vibration Resistance: The ULS100 meets the ANSI C136.31 2001, American National Standard for Roadway Luminaire Vibration specifications for normal applications. (Tested for 1.5G over 100 000 cycles)

CSA, cULus Listed for Canada and USA. Luminaires are DesignLights Consortium qualified

LED Performance

Predicted lumen depreciation data ¹				
Ambient Temperature (°C)	Driver mA	Calculated L ₇₀ hours ^{1,2}	L ₇₀ per TM-21 ^{2,3}	Lumen Maintenance % @ 60,000 hours
25°C	530 mA	>100,000	>60,000	88%

1. Predicted performance derived from LED manufacturer's data and engineering design estimates, based on IESNA LM-80 methodology. Actual experience may vary due to field application conditions.

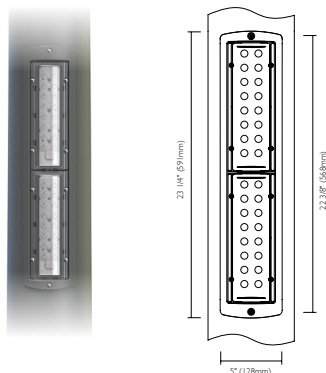
2. L₇₀ is the predicted time when LED performance depreciates to 70% of initial lumen output.

3. Calculated per IESNA TM21-11. Published L₇₀ hours limited to 6 times actual LED test hours.

ULS100 SoleCity LED Street & Area (small)

Urban Luminaire

ULR100 SoleCity – LED mid-pole light option dimensions



Street & Area luminaires	Height of Pole	Height of Mid-Pole
ULS100	12	10

Ordering guide

example: ULS100-90W80LED4K-G2-LE3-120-DMG-UBS100-1A
ULR100-35W32LED4K-G2-LEV3-120-DMG-CS-UPS100-12-MPL-10-BKTX

Series	Lamp	Board Gen	Optical System	Volts	Driver Options	Luminaire Options	Finish			
ULR100		G2	LEV3							
ULR100 Mid-Pole Luminaire	3000K 35W32LED3K	G2	LEV3	120	AST	CDMGE25	CS Clear Satin Lens OVR Dynadimmer UD Uplight Deflector	Textured	Non-Textured	
	4000K 35W32LED4K			208	CDMGP	CDMGE50		BE2TX	GN6TX	GR
				240	CLO	CDMGE75		BE6TX	GN8TX	NP
				277	DMG	CDMGM25		BE8TX	GNTX	TG
				UNV	OTL	CDMGM50		BG2TX	GY3TX	
						CDMGM75		BKTX	RD2TX	
						CDMGS25		BRTX	RD4TX	
						CDMGS50		GN4TX	WHTX	
						CDMGS75				

LED Module	Total LEDs	LED Current (mA)	Average System Wattas (W)	LEV3		
				Delivered Lumens (LM)	Efficacy (LPW)	BUG rating
Clear Lens 3000K						
ULR100-35W32LED3K-G2	32	350	37	3499	95	B0-U4-G3
Clear Lens 4000K						
ULR100-35W32LED4K-G2	32	350	37	4238	115	B0-U4-G3
Satin Lens 3000K						
ULR100-35W32LED3K-G2	32	350	37	2835	77	B0-U4-G3
Satin Lens 4000K						
ULR100-35W32LED4K-G2	32	350	37	3727	102	B0-U4-G3

Specifications

See pages 3-4 for complete listing

See the lumen table notes on the bottom of page 2.

LED Performance

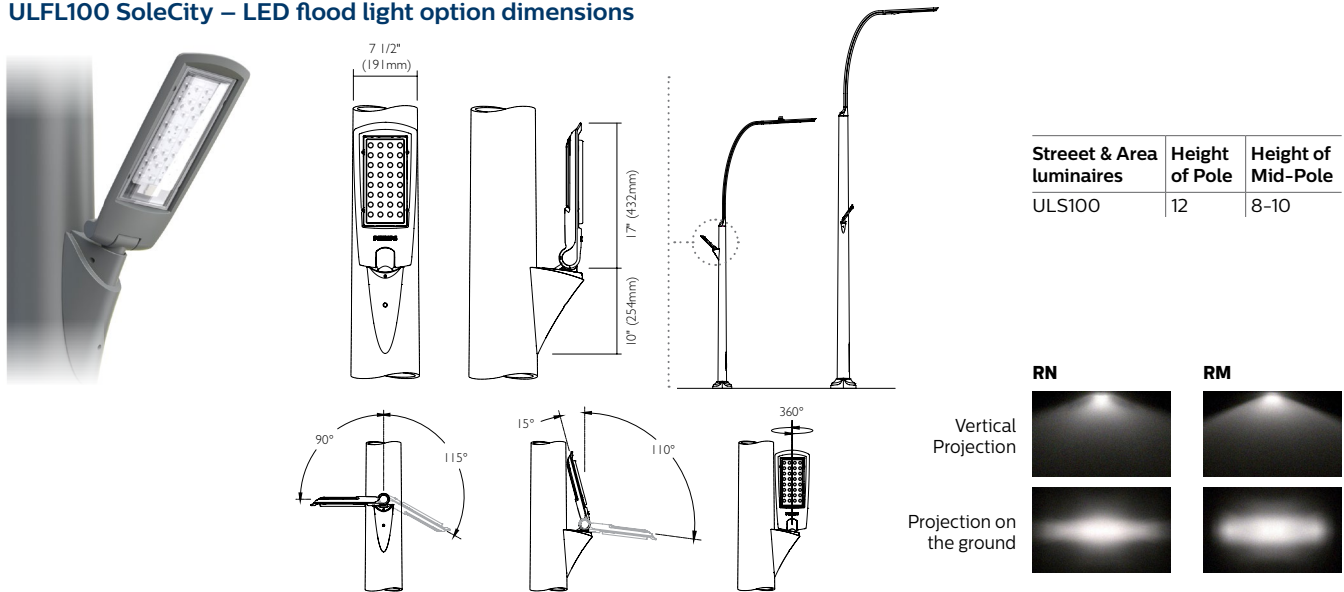
Predicted lumen depreciation data ¹				
Ambient Temperature (°C)	Driver mA	Calculated L ₇₀ hours ^{1,2}	L ₇₀ per TM-21 ^{2,3}	Lumen Maintenance % @ 60,000 hours
25°C	350 mA	>100,000	>60,000	88%

1. Predicted performance derived from LED manufacturer's data and engineering design estimates, based on IESNA LM-80 methodology. Actual experience may vary due to field application conditions.
2. L₇₀ is the predicted time when LED performance depreciates to 70% of initial lumen output.
3. Calculated per IESNA TM21-11. Published L₇₀ hours limited to 6 times actual LED test hours.

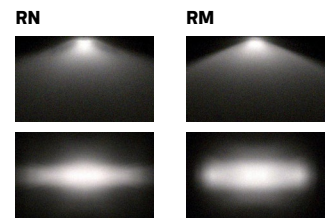
ULS100 SoleCity LED Street & Area (small)

Urban Luminaire

ULFL100 SoleCity – LED flood light option dimensions



Street & Area luminaires	Height of Pole	Height of Mid-Pole
ULS100	12	8-10



Ordering guide

example: ULFL100-90W80LED4K-G2-LE3-120-DMG-UBS100-1A
 ULFL100-70W64LED4K-G2-RM-120-DMG-UBFL100-F-UPS100-12-MPL-8-180deg-BKTX

Series	Lamp	Board Gen	Optical System	Volts	Driver Options	Luminaire Options	Mid-Pole Bracket	Mid-Pole Config	Finish
ULFL100		G2							
ULFL100 Mid-Pole Luminaire	3000K 35W32LED3K 55W32LED3K 4000K 35W32LED4K 55W32LED4K	G2	RM RN	120 208 240 277 UNV	AST CDMGP CLO DMG OTL	CDMGE25 CDMGE50 CDMGE75 CDMGM25 CDMGM50 CDMGM75 CDMGS25 CDMGS50 CDMGS75	OVR UBFL100	F 2F	<u>Textured</u> BE2TX GN6TX BE6TX GN8TX BE8TX GNTX BG2TX GY3TX BKTX RD2TX BRTX RD4TX GN4TX WHTX <u>Non-Textured</u> GR NP TG

Additional Specifications

See pages 3-4 for complete listing

Housing: Exclusive shape, the housing is made of cast aluminum 356 and is equipped with a double swivel mechanism offering a full orientation on the horizontal axis and of 180 degrees on the vertical axis. Vertical orientation is locked with two 3/8 16 UNC set screws. The flood light is mechanically assembled on the bracket and the horizontal orientation is locked thereon by means of a 3/8 16 UNC set screw.

Arm: (UBFL100) Made of cast A356 aluminum, mechanically assembled to the pole. Fastened with one 1/2" 13 Bolt.

Optical System: (RN), NEMA type 7H x 5V or (RM), NEMA type 7H x 4V, composed of high-performance acrylic refractor lenses to achieve horizontal spot distribution (symmetrical), rectangular narrow. System is rated IP54. Performance shall be tested per LM-63 and LM-79 (IESNA) certifying its photometric performance.

Bracket Weight: 3 lbs (1.4 kg)

LED Module	Total LEDs	LED Current (mA)	Average System Wattas (W)	RM		RN	
				Delivered Lumens (LM)	Efficacy (LPW)	Delivered Lumens (LM)	Efficacy (LPW)
3000K							
ULFL100-35W32LED3K-G2	32	350	37	3752	102	3801	104
ULFL100-55W32LED3K-G2	32	530	55	5382	99	5452	100
4000K							
ULFL100-35W32LED4K-G2	32	350	37	4516	123	4560	124
ULFL100-55W32LED4K-G2	32	530	55	6478	119	6541	120

See the lumen table notes on the bottom of page 2.

LED Performance

Predicted lumen depreciation data ¹				
Ambient Temperature (°C)	Driver mA	Calculated L ₇₀ hours ^{1,2}	L ₇₀ per TM-21 ^{2,3}	Lumen Maintenance % @ 60,000 hours
25°C	530 mA	>100,000	>60,000	89%

1. Predicted performance derived from LED manufacturer's data and engineering design estimates, based on IESNA LM-80 methodology. Actual experience may vary due to field application conditions.
2. L₇₀ is the predicted time when LED performance depreciates to 70% of initial lumen output.
3. Calculated per IESNA TM21-11. Published L₇₀ hours limited to 6 times actual LED test hours.

ULS100 SoleCity LED Street & Area (small)

Urban Luminaire

UBS100 SoleCity – Bracket option dimensions

Ordering guide (see ULS ordering guide on page 1 for ordering options)

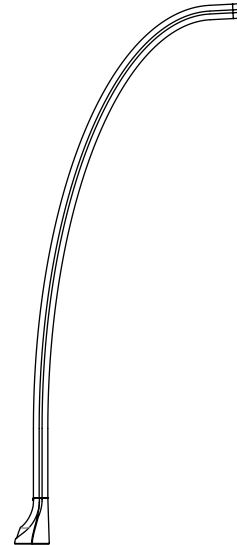
Additional Specifications

Arm: Shall be made from bent extruded aluminum 6061-T6 alloy 0.188 (4.8mm) minimum thickness with exclusive shape, mechanically assembled to the pole tenon and secured with 4 socket head allen screws 1/2 13 UNC.

Decorative Element: Decorative cover made of two-piece cast 356 aluminum components, mechanically assembled to the pole tenon without any apparent hardware.

Bracket Weight: 64 lbs (29.1 kg)

Note: See ULS100 ordering guide on first page for ordering options.



UPS100 & UPS100S SoleCity – Pole option dimensions

Ordering guide (see ULS100 ordering guide on page 1 for ordering options)

Additional Specifications

Pole Shaft: (UPS100) Shall be made from spun aluminum 6063 T4, tempered to T6 after welding, having a base diameter of 8" (203mm) with 4'-0"(1219mm) straight and top diameter of 6" (152mm) with 10"(254mm) straight, wall thickness 0.250" (6.4mm) welded to both the bottom and top of the anchor plate.

Maintenance Opening: The pole shall have a 4 1/8" x 18" (105mm x 457mm) maintenance opening centered 36" (914mm) from the bottom of the anchor plate, complete with a weatherproof aluminum cover and a copper ground lug.

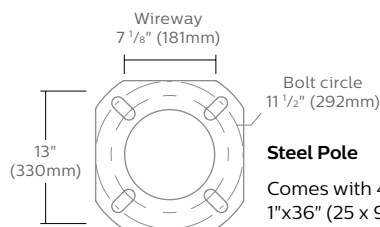
Base Cover: Two piece round base cover made from cast 356 aluminum, mechanically fastened with two stainless steel screws discreetly concealed.

Pole Options: (MPL) Mid Pole Luminaire.

Important: strongly recommends the installation of the complete lighting assembly with all of its accessories upon the anchoring of the pole. This will ensure that the structural integrity of the product is maintained throughout its lifetime.

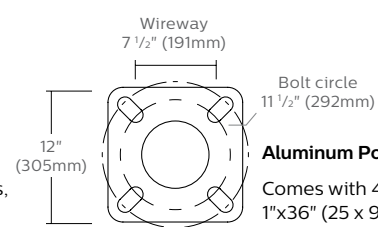
Anchor Bolts: Anchor bolts made of ASTM F1554 99 grade A36 or better steel having a minimum yield strength of 55,000 PSI. Nuts made of ASTM A563 grade A steel or better. The thread fit is ANSI class 2B regardless of bolt diameter. Washers are made of ASTM grade F 844 or better steel. All galvanized parts are hot dip galvanized per ACNOR G 164 minimum.

Note: See ULS100 ordering guide on first page for ordering options.



Steel Pole

Comes with 4 anchor bolts, 1"x36" (25 x 914 mm) 8 nuts and 8 washers. B.C. from: 11" to 13" (279 to 330 mm)



Aluminum Pole

Comes with 4 anchor bolts, 1"x36" (25 x 914 mm) 8 nuts and 8 washers. B.C. from: 11" to 12" (279 to 305 mm)

ULS100 SoleCity LED Street & Area (small)

Urban Luminaire

Assembly

