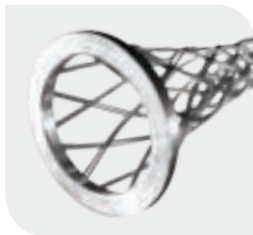




CABLE & CONDUCTOR
INSTALLATION/PULLING.
CABLE & HOSE SUPPORT.
CABLE PROTECTION
& WELL COMPLETION.

**MADE EASIER, SAFER
AND MORE DEPENDABLE**

PRODUCT CATALOGUE 2019

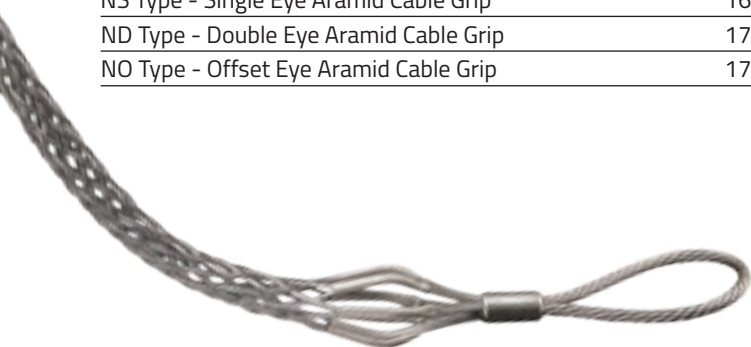


CABLE PULLING GRIPS

SE Type - Single Eye Grip	6
DE Type - Double Eye Grip	7
OS Type - Offset Eye Grip	7
LU Type - Lace Up Grip	8
ST Type - Single Eye Double Weave Grip	8
Flexible & Thimble Eye Grip - Single Eye	9
Flexible & Thimble Eye Grip - Double Eye	9
HD Type - Heavy Duty Pulling Grips (colour coded)	10
HD Type - Heavy Duty Pulling Grips (non colour coded)	10
MD Type - Medium Duty Pulling Grip	10
LD Type - Light Duty Pulling Grip	10
A Type - High Strength Cable Grip	11
Feed Tube	11
MU Type - High Strength Cable Grip	11
Sub-Sea and Marine Grips	12
R Type - Rotating Multi-Weave Grip	13
RT Type - Rotating Eye Double Weave Grip	13
Splicing Grip - Rotating Swivel Link	14
Splicing Grip - Rotating Barrel	14
Tri & Quad Pulling Sling	14
Open Ended Grip	15
Fibre Optic Cable Grip	15
NS Type - Single Eye Aramid Cable Grip	16
ND Type - Double Eye Aramid Cable Grip	17
NO Type - Offset Eye Aramid Cable Grip	17

CABLE SUPPORT GRIPS

Wind Turbine Cable Grip - Heavy Duty Thimble Offset Eye	18
Extended Thimble Eye Heavy Duty Stainless Steel Cable Grip	18
Single Eye Closed Mesh Cable Support Grip	19
Single Eye Split Mesh Lace Closing Support Grip	19
Single Eye Split Mesh Rod Closing Cable Support Grip	19
Double Eye Closed Mesh Cable Support Grip	20
Double Eye Split Mesh Lace Closing Support Grip	20
Double Eye Split Mesh Rod Closing Cable Support Grip	20
Offset Eye Closed Mesh Cable Support Grip	21
Offset Eye Split Mesh Lace Closing Support Grip	21
Offset Eye Split Mesh Rod Closing Cable Support Grip	21
Universal Eye Closed Mesh Cable Support Grip	22
Universal Eye Split Mesh Lace Closing Support Grip	22
Universal Eye Split Mesh Rod Closing Cable Support Grip	22
Heavy Duty Support Grips - Single Eye	23
Heavy Duty Support Grips - Double Eye	23
Heavy Duty Support Grips - Single Eye Lace-Up	23
Heavy Duty Support Grips - Double Eye Lace-Up	23
Heavy Duty Support Grips - Single Eye Rod Closing	23
Heavy Duty Support Grips - Double Eye Rod Closing	23
Bus Drop Grips	24
Service Drop Grips	24
Nylon Support Grips For Fibre	24
Deluxe Cord Grips	25-26
Dust-Tight Cord Grips	26
Hooked Eye Conduit Support Cable Support Grip	27
Conduit Riser Cable Grip - Stainless Steel	27
Stainless Steel Connector/Box Grip	28
Heavy Duty Hose Restraint Grips / Whipssocks	29
Speciality Hose Restraint Grips / Whipssocks	29
Hose Whip Restraint	30





HARDWARE & ACCESSORIES

Anti Rotational Device	31
Line Pulling Swivels	32
Bridge Type Cable Roller	33
Edge Mount Manhole Lead-in Cable Roller	33
Cable Drum Rotator	33
Heavy Duty 214mm Straight Line Cable Roller	34
Heavy Duty Triple Corner Cable Roller	34
Edge Mount Manhole Lead-in Cable Roller	34
Compact 90mm Bridge Type Cable Roller	35
Feed Tube	35
C Connectors	35
Figure of 8 'Swing Link' Connector	36
90° Connector and Rope to Rope Connector	36
Rope to Swivel Connector	37
Swivel Tester	37
Fast Banding Tool	38-39
Light Duty Banding Tool	38-39
Heavy Duty Banding Tool	38-39
Single Sheave Running Blocks	40
Adjustable Array Roller	40
Reel Lifter	41
Hand Line Tools	41
60 Ton Hydraulic Crimping Tools	42
Mechanical Crimping Tools	42
Standard Cable Protectors	43
Mid-Joint Cable Protectors	43
Banded Cable Protectors	43
Centralising Cable Protectors	44
Bow Spring Centralisers	44
Rigid Centralisers	44
Pole Line Suspension Clamps	45

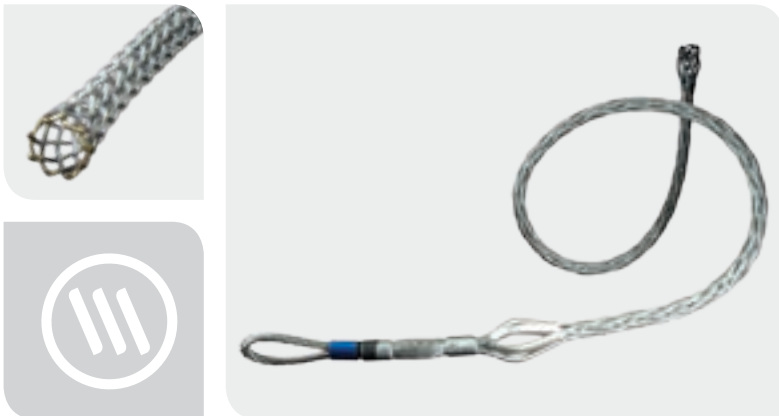
GENERAL ASSEMBLIES

Galvanised Wire Rope	46
Stainless Steel Wire Rope	46
Galvanised Heart Shaped Thimble to BS464/1	47
Electro Galvanised Commercial Pattern Thimble	47
Stainless Steel Wire Rope Thimble	47
Electro Galvanized Wire Rope Grip Din 741	48
Electro Galvanized Heavy Pattern Wire Rope Grip Din 1142	48
Stainless Steel Wire Rope Grip Din 741	48
Zinc Plated Simplex Wire Rope Grip	49
Stainless Steel Duplex Wire Rope Grip	49
Aluminium Ferrules To Din Specification	49
Copper Ferrules To Din Specification	49
Green Pin Standard Bow Shackles G-4161	50
Green Pin Standard Bow Shackles G-4163	50
Green Pin Standard Dee Shackles G-4151	51
Green Pin Standard Dee Shackles G-4153	51
Lifting Loops	52
Lifting Loop - Standard Iso Metric Coarse Thread	52
Lifting Loop - Metric Coarse (Round Form) Knuckle Thread	52
Webbing Slings	53
Round Slings	53
Polyplait Slings	54
Wire Rope Slings	54
Cable Assemblies	55

IMPORTANT TECHNICAL INFORMATION

Single and Double Eye Cable Grip Instructions	56
Lace Up Cable Grip Instructions	57
Cable Pulling Grips and Cable Support Grips	58

A GLOBAL BUSINESS BUILT ON QUALITY, INNOVATION, SERVICE ...AND REAL FAMILY TIES



Welcome to Slingco, a world-leading supplier of cable grips and wire rope. Founded by our father, Chris Dykins, more than 40 years ago, Slingco remains a family-owned business but has evolved into an expert design and manufacturing operation, producing high quality cable grips, wire rope assemblies and more - products that are renowned for high performance in quality-critical applications.

Slingco operates out of regional bases in the UK and USA, but you'll find our products around the world, making heavy-duty cable and conductor installation and support a whole lot easier for people working in industries as varied as oil and gas, marine and offshore, public utilities, civil engineering, aerospace, transport, the military, performing arts, vehicle building, construction and more.

You can't make mistakes when you're dealing with products like ours. Too much depends on them. That's why we're obsessive about quality and innovation in design and manufacturing, and why nothing leaves our hands that isn't 100% dependable.

Because we understand exactly what your operation needs, we also know cost is a factor. We keep our prices realistic and hold a vast range of stock for fast - even same day - delivery.

We're brothers, partners and the driving force behind Slingco, but we're only a small part of the whole picture. We've got a fantastic team of skilled people who share our obsession with quality and great service. We're proud of every one of them.

Together, we're going to carry on developing outstanding products. We're going to carry on getting them out to you in record time. And we're going to carry on being the sort of company it's a pleasure to deal with.

NICK DYKINS
CEO, SLINGCO LIMITED

MATT DYKINS
PRESIDENT, SLINGCO AMERICA






INSTALLATION PRODUCTS



QUALITY, SAFETY AND TESTING

Cables, conductors, hoses and their associated supports are by definition, safety-critical components and we recognize that this places us in a real position of responsibility. Hence all our products are designed, manufactured and tested to exacting standards to ensure safe and dependable operation under even the most challenging conditions. We operate a quality management system and are accredited to ISO 9001.

Our aim is to be your preferred supply partner, not just to sell you a product

IN-HOUSE DESIGN

An integral part of our manufacturing facility is our dedicated in-house design engineering team. As well as being focused on our own design and development projects, our engineering team's skills - employing cutting-edge 3D modeling and finite element analysis software - are available to our customers.

From initial product design and manufacture to technical support and customer service, the strength of our business lies in the skills and commitment of our people. They're here to serve you and we're confident that this shows in everything we do.

ALL SLINGCO PRODUCTS ARE DESIGNED, MANUFACTURED AND TESTED TO EXACTING STANDARDS

ENSURING SAFE AND DEPENDABLE OPERATION UNDER EVEN THE MOST CHALLENGING CONDITIONS

If you've a specific requirement you think we could help with, or would just like to make contact for a general discussion, please call us on **+44 [0]1706 855558** or email **sales@slingco.com**.

CABLE PULLING GRIPS

Choose from a comprehensive range of cable and conductor pulling products, each designed and engineered to deliver reliable performance for the installation of cables or pipes through ducts, conduits and trenches. The cable grip adds little to the overall diameter of the cable and 'free passage' is normally available through sheave blocks and pipes.

- Light-medium and heavy duty options
- Precise, hand-woven construction
- Ideal on 'new for old' cable installations
- Swivel links for reduced torque build-up
- Growing range of pulling accessories

SE TYPE - SINGLE EYE GRIP



Ideal for pulling light to medium loads; typical application - 'standard pull' of single or group of cables, where additional support is unnecessary, or if used in conjunction with other cable grips.

Range		Lattice Weave	Lattice Length		Overall Length		Approx. Break Load		Slingco Part No.
in	mm		in	mm	in	mm	lb	kg	
SINGLE EYE STANDARD GRIP - GALVANISED									
0.25 - 0.50	6-13	Single	9	230	12	305	1,680	760	ZCS0320
0.50 - 0.75	13-19	Single	14	355	17	430	2,240	1,015	ZCS0321
0.75 - 1.00	19-25	Single	16	405	20	510	5,600	2,540	ZCS0322
1.00 - 1.50	25-38	Single	18	455	24	610	7,840	3,555	ZCS0323
1.50 - 2.00	38-50	Double	21	535	29	735	11,200	5,080	ZCS0324
2.00 - 2.50	50-63	Double	24	610	34	865	11,200	5,080	ZCS0325
2.50 - 3.50	63-89	Double	27	685	39	990	13,440	6,095	ZCS0326
3.50 - 4.50	89-115	Double	27	685	39	990	15,680	7,110	ZCS0327
4.50 - 5.50	115-140	Double	27	685	39	990	15,680	7,110	ZCS0821
5.31 - 6.30	135-160	Single	35.43	900	54.33	1,380	44,800	20,000	ZCS3574
6.33 - 7.48	161-190	Single	59.05	1,500	78.74	2,000	44,800	20,000	ZCS3575
7.51 - 8.66	191-220	Single	59.05	1,500	78.74	2,000	44,800	20,000	ZCS3576
8.70 - 9.84	221-250	Single	59.05	1,500	78.74	2,000	44,800	20,000	ZCS3577
9.88 - 11.81	251-300	Single	78.74	2,000	102.36	2,600	44,800	20,000	ZCS3578
SINGLE EYE STANDARD GRIP - 316 STAINLESS STEEL									
0.25 - 0.50	6-13	Single	9	230	12	305	1,344	610	ZCS1380
0.50 - 0.75	13-19	Single	14	355	17	430	1,792	810	ZCS1523
0.75 - 1.00	19-25	Single	16	405	20	510	4,480	2,030	ZCS1373
1.00 - 1.50	25-38	Single	18	455	24	610	6,272	2,845	ZCS1952
1.50 - 2.00	38-50	Double	21	535	29	735	8,960	4,065	ZCS1381
2.00 - 2.50	50-63	Double	24	610	34	865	8,960	4,065	ZCS1977
2.50 - 3.50	63-89	Double	27	685	39	990	10,752	4,875	ZCS1979
3.50 - 4.50	89-115	Double	27	685	39	990	12,544	5,690	ZCS1980
4.50 - 5.50	115-140	Double	27	685	39	990	12,544	5,690	ZCS1981

DE TYPE - DOUBLE EYE GRIP



Ideal for pulling light to medium loads; the main advantage over the single eye cable grip is the cable being pulled can be passed through the grip, several cable grips can be used to support over a calculated distance.

Range		Lattice Weave	Lattice Length		Overall Length		Approx. Break Load		Slingco Part No.
in	mm		in	mm	in	mm	lb	kg	
DOUBLE EYE STANDARD GRIP - GALVANISED									
0.25 - 0.50	6-13	Single	9	230	12	305	1,680	760	ZCS0305
0.50 - 0.75	13-19	Single	14	355	17	430	2,240	1,015	ZCS0306
0.75 - 1.00	19-25	Single	16	405	20	510	5,600	2,540	ZCS0307
1.00 - 1.50	25-38	Single	18	455	24	610	7,840	3,555	ZCS0308
1.50 - 2.00	38-50	Double	21	535	29	735	11,200	5,080	ZCS0309
2.00 - 2.50	50-63	Double	24	610	34	865	11,200	5,080	ZCS0310
2.50 - 3.50	63-89	Double	27	685	39	990	13,440	6,095	ZCS0311
3.50 - 4.50	89-115	Double	27	685	39	990	15,680	7,110	ZCS0312
4.50 - 5.50	115-140	Double	27	685	39	990	15,680	7,110	ZCS0878
5.31 - 6.30	135-160	Double	39.37	1,000	63	1,600	44,800	20,000	ZCS3579
6.33 - 7.48	161-190	Double	59.05	1,500	82.67	2,100	60,480	27,000	ZCS3580
7.51 - 8.66	191-220	Double	59.05	1,500	82.67	2,100	60,480	27,000	ZCS3581
8.70 - 9.84	221-250	Double	59.05	1,500	82.67	2,100	60,480	27,000	ZCS3582
9.88 - 11.81	251-300	Double	78.75	2,000	106.29	2,700	60,480	27,000	ZCS3583
DOUBLE EYE STANDARD GRIP - 316 STAINLESS STEEL									
0.25 - 0.50	6-13	Single	9	230	12	305	1,344	610	ZCS0823
0.50 - 0.75	13-19	Single	14	355	17	430	1,792	810	ZCS1007
0.75 - 1.00	19-25	Single	16	405	20	510	4,480	2,030	ZCS0931
1.00 - 1.50	25-38	Single	18	455	24	610	6,272	2,845	ZCS1265
1.14 - 1.57	29-40	Double	50	1,270	62	1,575	35,000	15,625	ZCS3995
1.50 - 2.00	38-50	Double	21	535	29	735	8,960	4,065	ZCS1252
2.00 - 2.50	50-63	Double	24	610	34	865	8,960	4,065	ZCS0319
2.50 - 3.50	63-89	Double	27	685	39	990	10,752	4,875	ZCS0213
2.50 - 3.50	63-89	Double	70	1,778	80	2,032	13,500	6,027	ZCS4873
2.50 - 3.50	63-89	Triple	56	1,422	152	3,860	16,138	7,204	ZCS4596
3.50 - 4.50	89-115	Double	27	685	39	990	12,544	5,690	ZCS0332
4.50 - 5.50	115-140	Double	27	685	39	990	12,544	5,690	ZCS1982
4.50 - 5.50	115-140	Double	70	1,778	80	2,032	13,500	6,027	ZCS4869

OS TYPE - OFFSET EYE GRIP



Similar to the SE Type single eye cable grip, but for when offset positioning is required. Excellent for pulling slack out of lines that have been pulled. May also be used for removing underground cables when end of cable is available.

Range		Lattice Weave	Lattice Length		Overall Length		Approx. Break Load		Slingco Part No.
in	mm		in	mm	in	mm	lb	kg	
OFFSET EYE STANDARD GRIP - GALVANISED									
0.25 - 0.50	6-13	Single	9	230	12	305	1,680	760	ZCS1860
0.50 - 0.75	13-19	Single	14	355	17	430	2,240	1,015	ZCS1861
0.75 - 1.00	19-25	Single	16	405	20	510	5,600	2,540	ZCS1862
1.00 - 1.50	25-38	Single	18	455	24	610	7,840	3,555	ZCS1863
1.50 - 2.00	38-50	Double	21	535	29	735	11,200	5,080	ZCS1864
2.00 - 2.50	50-63	Double	24	610	34	865	11,200	5,080	ZCS1865
2.50 - 3.50	63-89	Double	27	685	39	990	13,440	6,095	ZCS1866
3.50 - 4.50	89-115	Double	27	685	39	990	15,680	7,110	ZCS1867
4.50 - 5.50	115-140	Double	27	685	39	990	15,680	7,110	ZCS1974
OFFSET EYE STANDARD GRIP - 316 STAINLESS STEEL									
0.25 - 0.50	6-13	Single	9	230	12	305	1,344	610	ZCS1986
0.50 - 0.75	13-19	Single	14	355	17	430	1,792	810	ZCS1987
0.75 - 1.00	19-25	Single	16	405	20	510	4,480	2,030	ZCS1988
1.00 - 1.50	25-38	Single	18	455	24	610	6,272	2,845	ZCS1989
1.50 - 2.00	38-50	Double	21	535	29	735	8,960	4,065	ZCS1990
2.00 - 2.50	50-63	Double	24	610	34	865	8,960	4,065	ZCS1991
2.50 - 3.50	63-89	Double	27	685	39	990	10,752	4,875	ZCS1992
3.50 - 4.50	89-115	Double	27	685	39	990	12,544	5,690	ZCS1993
4.50 - 5.50	115-140	Double	27	685	39	990	12,544	5,690	ZCS1994
5.50 - 7.00	140-180	Double	24	610	39	990	4,500	2,009	ZCS3994
8.0 - 9.0	203-229	Double	59	1,500	74	1,880	20,000	8,928	ZCS4069

LU TYPE - LACE UP GRIP



Ideal for pulling light to medium loads; the LU-type is fitted to the cable being pulled by stitching it together, like a football. Mainly used where a 'typical' cable grip can't be fitted over a connector at the end of a cable. For use in pulling when the end is not accessible. The LU Type is wrapped around the cable, then closed with the wire lace provided. See Lace Up instructions on page 57.

Range		Lattice Weave	Lattice Length		Overall Length		Approx. Break Load		Slingco Part No.
in	mm		in	mm	in	mm	lb	kg	
LACE UP STANDARD GRIP - GALVANISED									
0.25 - 0.50	6-13	Single	9	230	12	305	1,680	760	ZCS1157
0.50 - 0.75	13-19	Single	14	355	17	430	2,240	1,015	ZCS0872
0.75 - 1.00	19-25	Single	16	405	20	510	5,600	2,540	ZCS0871
1.00 - 1.50	25-38	Single	18	455	24	610	7,840	3,555	ZCS0328
1.50 - 2.00	38-50	Double	21	535	29	735	11,200	5,080	ZCS0329
2.00 - 2.50	50-63	Double	24	610	34	865	11,200	5,080	ZCS0330
2.50 - 3.50	63-89	Double	27	685	39	990	13,440	6,095	ZCS0331
3.50 - 4.50	89-115	Double	27	685	39	990	15,680	7,110	ZCS0853
4.50 - 5.50	115-140	Double	27	685	39	990	15,680	7,110	ZCS1109
4.72 - 5.90	120-150	Triple	59	1,500	102	2,600	32,928	14,700	ZCS4463
7.90 - 8.70	200-220	Triple	78	2,000	102	2,600	71,680	32,000	ZCS3270
5.31 - 6.30	135-160	Double	39.37	1,000	63	1,600	38,080	17,000	ZCS3584
6.33 - 7.48	161-190	Double	59.05	1,500	82.67	2,100	38,080	17,000	ZCS3585
7.51 - 8.66	191-220	Double	59.05	1,500	82.67	2,100	38,080	17,000	ZCS3586
8.70 - 9.84	221-250	Double	59.05	1,500	82.67	2,100	38,080	17,000	ZCS3587
9.88 - 11.81	251-300	Double	78.74	2,000	106.29	2,700	38,080	17,000	ZCS3588
LACE UP STANDARD GRIP - 316 STAINLESS STEEL									
0.25 - 0.50	6-13	Single	9	230	12	305	1,344	610	ZCS1983
0.50 - 0.75	13-19	Single	14	355	17	430	1,792	810	ZCS1796
0.75 - 1.00	19-25	Single	16	405	20	510	4,480	2,030	ZCS1789
1.00 - 1.50	25-38	Single	18	455	24	610	6,272	2,845	ZCS1797
1.50 - 2.00	38-50	Double	21	535	29	735	8,960	4,065	ZCS1984
2.00 - 2.50	50-63	Double	24	610	34	865	8,960	4,065	ZCS2466
2.50 - 3.50	63-89	Double	27	685	39	990	10,752	4,875	ZCS0816
2.75 - 3.44	69-87	Multiple	55	1,390	81	2,063	40,000	17,857	ZCS5094
3.50 - 4.50	89-115	Double	27	685	39	990	12,544	5,690	ZCS1356
3.50 - 4.50	89-115	Triple	27	685	39	990	14,012	6,300	ZCS2832
4.50 - 5.50	115-140	Double	27	685	39	990	12,544	5,690	ZCS1355
4.50 - 5.50	115-140	Triple	27	685	39	990	16,128	7,315	ZCS2833

ST TYPE - SINGLE EYE DOUBLE WEAVE GRIP



This Slingco grip features a double weave construction for medium to heavy pulling applications in underground installations.

Range		Lattice Length		Approx. Break Load		Slingco Part No.
in	mm	in	mm	lb	kg	
SHORT LENGTH - GALVANISED STEEL						
0.50 - 0.62	13-16	21	534	4,500	2,040	ZCS2511
0.62 - 0.75	16-19	24	610	5,600	2,540	ZCS2512
0.75 - 1.00	19-25	24	610	6,800	3,085	ZCS2513
1.00 - 1.50	25-38	24	610	9,600	4,355	ZCS2514
1.50 - 2.00	38-50	24	610	16,400	7,441	ZCS2515
2.00 - 2.50	50-63	24	610	18,500	8,390	ZCS2516
2.50 - 3.00	63-76	24	610	24,500	11,115	ZCS2517
3.00 - 3.50	76-89	24	610	24,500	11,115	ZCS2518
3.50 - 4.00	89-102	26	660	31,000	14,065	ZCS2519
LONGER LENGTH - GALVANISED STEEL						
0.75 - 1.00	19-25	36	914	6,800	3,085	ZCS2520
1.00 - 1.50	25-38	36	914	9,600	4,355	ZCS2521
1.50 - 2.00	38-50	36	914	16,400	7,440	ZCS2522
2.00 - 2.50	50-63	36	914	18,500	8,390	ZCS2523
2.50 - 3.00	63-76	36	914	24,500	11,115	ZCS2524
3.00 - 3.50	76-89	36	914	24,500	11,115	ZCS2777
3.50 - 4.00	89-102	40	1,010	31,000	14,065	ZCS2778

FLEXIBLE & THIMBLE EYE GRIP - SINGLE EYE

Designed to fit the typical European range of cables, and with a longer lattice length, these grips are ideal for pulling medium to heavy loads. Made of galvanised steel, this grip has a flexible eye construction – and is also available with a reinforced thimble eye.



	Range		Lattice Length		Overall Length		Approx. Break Load		Flexible Eye	Thimble Eye
	mm	in	mm	in	mm	in	kg	lb		
Single	15-20	0.59-0.79	1,220	48	1,358	53.5	1,240	2,730	ZCS0824	ZCS3133
Single	20-30	0.79-1.18	1,250	49	1,358	53.5	1,530	3,370	ZCS0825	ZCS3134
Double	20-30	0.79-1.18	1,250	49	1,393	55	1,990	4,380	ZCS0826	ZCS3135
Single	30-40	1.18-1.57	1,250	49	1,393	55	2,550	5,620	ZCS0827	ZCS3136
Double	30-40	1.18-1.57	1,250	49	1,652	65	3,060	6,740	ZCS0828	ZCS3137
Double	40-50	1.57-1.97	1,500	59	1,661	65.5	5,930	13,060	ZCS0829	ZCS3138
Double	50-60	1.97-2.36	1,500	59	1,750	69	6,630	14,610	ZCS0830	ZCS3139
Double	60-70	2.36-2.76	1,500	59	1,750	69	7,790	17,160	ZCS0831	ZCS3140
Double	70-90	2.76-3.54	1,500	59	1,750	69	8,110	17,870	ZCS0832	ZCS3141
Double	90-110	3.54-4.33	1,500	59	1,750	69	11,830	26,070	ZCS0833	ZCS3142
Double	110-130	4.33-5.12	1,500	59	1,750	69	11,830	26,070	ZCS0834	ZCS3143
Double	120-150	4.72-5.91	1,500	59	1,750	69	12,750	28,100	ZCS0835	ZCS3144
Double	140-180	5.51-7.09	1,500	59	1,750	69	12,750	28,100	ZCS0836	ZCS3145



	Range		Lattice Length		Approx. Break Load		Slingco Part No.
	in	mm	in	mm	lb	kg	
SHORTER LENGTH							
	2.36 - 2.75	60 - 70	43	1,096	17,450	7,790	ZCS4783
	2.75 - 3.54	70 - 90	43	1,096	18,166	8,110	ZCS4784
	3.54 - 4.33	90 - 110	43	1,096	26,500	11,830	ZCS4785
	4.33 - 5.11	110 - 130	43	1,096	26,500	11,830	ZCS4786
	4.72 - 5.90	120 - 150	43	1,096	28,560	12,750	ZCS4787

FLEXIBLE & THIMBLE EYE GRIP - DOUBLE EYE

This grip has a double eye construction allowing the cables being pulled to pass through the grip. Available with flexible eye or reinforced thimble eye.



	Range		Lattice Length		Overall Length		Approx. Break Load		Flexible Eye	Thimble Eye
	mm	in	mm	in	mm	in	kg	lb		
Single	15-20	0.59-0.79	1,250	49	1,500	59	1,240	2,730	ZCS0837	ZCS3146
Single	20-30	0.79-1.18	1,250	49	1,500	59	1,530	3,370	ZCS0838	ZCS3147
Double	20-30	0.79-1.18	1,250	49	1,500	59	1,990	4,380	ZCS0839	ZCS3148
Single	30-40	1.18-1.57	1,250	49	1,500	59	2,550	5,620	ZCS0840	ZCS3149
Double	30-40	1.18-1.57	1,250	49	1,500	59	3,060	6,740	ZCS0841	ZCS3150
Double	40-50	1.57-1.97	1,500	59	1,750	69	5,930	13,060	ZCS0842	ZCS3151
Double	50-60	1.97-2.36	1,500	59	1,750	69	6,630	14,610	ZCS0843	ZCS3152
Double	60-70	2.36-2.76	1,500	59	1,750	69	7,790	17,160	ZCS0844	ZCS3153
Double	70-90	2.76-3.54	1,500	59	1,750	69	8,110	17,870	ZCS0845	ZCS3154
Double	90-110	3.54-4.33	1,500	59	1,750	69	11,830	26,070	ZCS0847	ZCS3155
Double	110-130	4.33-5.12	1,500	59	1,750	69	11,830	26,070	ZCS0848	ZCS3156
Double	120-150	4.72-5.91	1,500	59	1,750	69	12,750	28,100	ZCS0849	ZCS3157
Double	140-180	5.51-7.09	1,500	59	1,750	69	12,750	28,100	ZCS0850	ZCS3158

The HD, MD and LD type form a range of conductor grips that are quick and easy to attach and remove, in sizes from 8mm to 48mm, with MBL up to 24,000kgs and WLL 8,000kg. They are suitable for all common conductors, e.g. Horse, Lynx, Upas, Zebra and Araucaria plus earth wires OPGW. The flexible eye connects with Slingco line pulling swivels for trouble-free pulling applications. Made of galvanised steel.

HD TYPE - HEAVY DUTY PULLING GRIPS (COLOUR CODED)



HD
275kV - 400kV

Range		Shoulder Colour	Eye wire		Overall Length		Lattice Length		Min Break Load		Slingco Part No.
in	mm		in	mm	in	mm	in	mm	lb	kg	
0.47-0.75	12-19	Green	0.39	10	64.80	1,647	54.00	1,372	18,739	8,500	ZCS7042
0.75-0.98	19-25	Red	0.51	13	70.50	1,790	54.36	1,379	29,762	13,500	ZCS6580
0.98-1.26	25-32	Blue	0.51	13	87.40	2,220	70.70	1,795	33,069	15,000	ZCS6413
1.26-1.50	32-38	Gold	0.51	13	88.40	2,245	71.10	1,807	39,683	18,000	ZCS6414
1.50-1.89	38-48	Black	0.55	14	93.70	2,288	73.80	1,838	48,501	24,000	ZCS10164

HD TYPE - HEAVY DUTY PULLING GRIPS (NON COLOUR CODED)



HD
275kV - 400kV

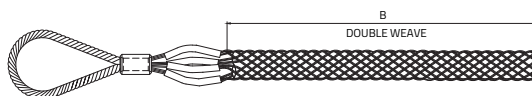
Range		Eye wire		Overall Length		Lattice Length		Min Break Load		Slingco Part No.
in	mm	in	mm	in	mm	in	mm	lb	kg	
0.47-0.75	12-19	0.39	10	64.8	1,647	54	1,372	18,739	8,500	ZCS10368
0.75-0.98	19-25	0.51	13	70.5	1,790	54.36	1,379	29,762	13,500	ZCS10369
0.98-1.26	25-32	0.51	13	87.4	2,220	70.7	1,795	33,069	15,000	ZCS10370
1.26-1.50	32-38	0.51	13	88.4	2,245	71.1	1,807	39,683	18,000	ZCS10371
1.50-1.89	38-48	0.55	14	93.7	2,288	73.8	1,838	48,501	24,000	ZCS10372

MD TYPE - MEDIUM DUTY PULLING GRIP



MD
132kV

Range		Lattice Length		Min Break Load		WLL		Slingco Part No.
in	mm	in	mm	lb	kg	lb	kg	
0.31-0.51	8-13	24	610	4,960	2,250	1,653	750	ZCS7229
0.47-0.75	12-19	24	610	7,452	3,380	2,484	1,127	ZCS7230
0.75-0.98	19-25	24	610	12,214	5,540	4,071	1,847	ZCS7231
0.98-1.26	25-32	24	610	21,054	9,550	7,018	3,183	ZCS7232

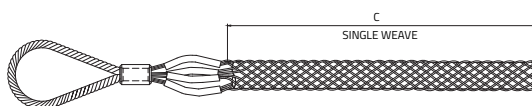


LD TYPE - LIGHT DUTY PULLING GRIP



LD
LV to 33kV

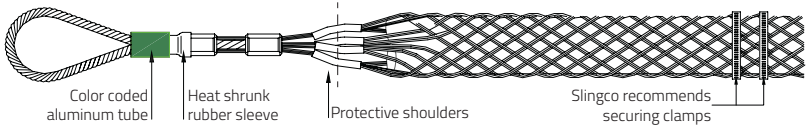
Range		Lattice Length		Min Break Load		WLL		Slingco Part No.
in	mm	in	mm	lb	kg	lb	kg	
0.40-0.51	10-13	24	610	2,469	1,120	823	373	ZCS7233
0.51-0.75	13-19	24	610	3,704	1,680	1,235	560	ZCS7234
0.75-0.98	19-25	24	610	4,938	2,240	1,646	747	ZCS7235
0.98-1.50	25-38	24	610	9,877	4,480	3,292	1,493	ZCS7236



A TYPE - HIGH STRENGTH CABLE GRIP



The strongest grip we produce; can be used for metal wire and synthetic rope pulls. Perfect for overhead transmission and distribution line pulling or any applications with heavy load ratings, e.g. gas, electric railroad, rigging lines and construction pulls. When pulling synthetic rope use a Slingco Feed Tube (see below) to make rope insertion a breeze. To avoid the effects of torsion a line pulling swivel that rotates under load should be used. Galvanised Steel and colour coded for ease of identification.



Color Code	Rope Diameter Range		Conductor Diameter Range		Overall length		Lattice Length		Approx. Break Load		Slingco Part No.
	in	mm	in	mm	in	mm	in	mm	lb	kg	
Black	0.25 - 0.65	6-16	0.19 - 0.40	5-10	38	965	28	710	7,000	3,180	ZCS1799
Purple	0.30 - 0.40	7.5-10	0.25 - 0.40	6-10	42	1,067	30	760	10,000	4,530	ZCS3020
Dark Green	0.50 - 0.90	13-23	0.38 - 0.63	9.7-16	51	1,300	37	940	14,000	6,360	ZCS1800
Grey	0.44 - 0.90	11-23	0.44 - 0.63	11-16	110	2,800	97	2,470	20,000	9,072	ZCS3522
Red	0.75 - 1.10	19-28	0.63 - 0.88	16-22	74	1,880	58	1,473	20,000	9,072	ZCS1801
Blue	1.00 - 1.50	25-38	0.88 - 1.12	22-29	80	2,032	61	1,549	30,700	13,955	ZCS1802
Yellow	1.25 - 1.70	32-43	1.13 - 1.38	29-35	112	2,845	90	2,299	47,000	21,360	ZCS1803
Aluminium	1.50 - 2.10	38-53	1.38 - 1.90	35-50	119	3,020	92	2,336	67,000	30,455	ZCS1804
-	-	-	2.00 - 2.60	50.8 - 66.0	109.25	2775	100	2557	70,528	32,000	ZCS6712
-	-	-	2.50 - 3.00	63.5-76.2	109.25	2775	100	2557	70,528	32,000	ZCS7852

FEED TUBE

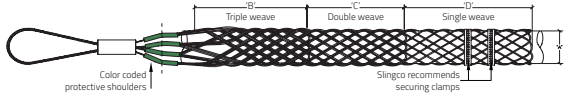
Due to the tight construction of the A Type cable grip, we recommend using the Slingco Feed Tube when inserting cable or rope into the grips. For ease of use, our feed tubes are color-coded to match the A Type Cable grip.



Tube to fit rope diameter inches (mm)	Feed tube length inches (mm)	Matches Slingco Cable Grip Part No.	Cable grip color	Slingco Part No.
0.25 - 0.65 (6 - 16)	28 (713)	ZCS1799, ZCS3020	Black	FTU1890
0.50 - 0.90 (13 - 23)	40 (1,018)	ZCS1800, ZCS3522	Dark green	FTU1891
0.75 - 1.10 (19 - 28)	52 (1,324)	ZCS1801	Red	FTU1892
1.00 - 1.50 (25 - 38)	67 (1,706)	ZCS1802	Blue	FTU1893
1.25 - 1.70 (32 - 43)	83 (2,113)	ZCS1803	Yellow	FTU1894
1.50 - 2.10 (38 - 53)	96 (2,444)	ZCS1804	Aluminum	FTU1895

MU TYPE - HIGH STRENGTH CABLE GRIP

This grip's triple weave construction is ideal for heavy loads. MU cable grips are color coded for ease of identification. Perfect for stringing overhead transmission and distribution lines and heavy-load pulls of any kind. Use with bare or insulated cable, conductor or wire. The flexible eye connects with Slingco line pulling swivels for trouble free pulling applications. Made of Galvanized Steel.



Color Code	Range		Lattice Length		Approx. Break Load		Slingco Part No.
	in	mm	in	mm	lb	kg	
Dark Green	0.25 - 0.50	6-12	31	787	7,000	3,170	ZCS1710
Brown	0.50 - 0.75	12-19	45	1,143	10,500	4,760	ZCS1711
Light Blue	0.75 - 1.00	19-25	43	1,092	14,100	6,395	ZCS1712
Gold	1.00 - 1.25	25-32	65	1,651	25,000	11,340	ZCS1713
Black	1.25 - 1.50	32-38	59	1,499	31,000	14,065	ZCS1714
Red	1.50 - 1.75	38-44	82	2,083	31,000	14,065	ZCS1715
Dark Blue	1.75 - 2.25	44-57	82	2,083	49,000	22,230	ZCS1716
Yellow	2.00 - 2.50	50-63	72	1,829	49,000	22,230	ZCS1750
Orange	2.50 - 3.00	63-76	72	1,829	49,000	22,230	ZCS1751
Aluminium	3.00 - 3.50	76-89	74	1,880	49,000	22,230	ZCS1752
Light Green	3.50 - 4.00	89-102	76	1,930	49,000	22,230	ZCS1753

SUB-SEA AND MARINE GRIPS



These speciality grips are extremely heavy duty and suitable for large underwater pulls, plus other applications in the oil and gas industries. Galvanised steel construction for heavy duty large diameter pulls. Applications include underwater cable installation. Available in single eye, double eye lace closing and double eye. Sizes range from 4 inches to over 20 inches. Manufactured to order.

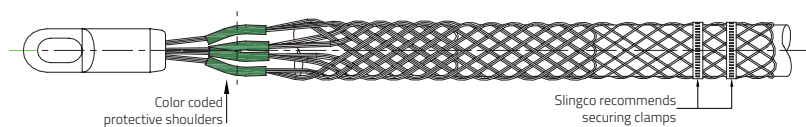
Range		Lattice length		Approx. Break Load		Slingco Part No.
in	mm	in	mm	lb	kg	
SINGLE EYE						
4 - 5	102-127	94	2,360	100,000	45,370	ZCS3525
5 - 6	127-152	94	2,360	105,000	47,640	ZCS3526
6 - 8	152-203	94	2,360	112,000	50,815	ZCS3527
8 - 10	203-255	94	2,360	138,000	62,600	ZCS3528
10 - 12	255-305	94	2,360	138,000	62,600	ZCS3529
12 - 14	305-355	94	2,360	138,000+	62,600+	ZCS3530
14 - 16	355-406	118.11	2,950	138,000+	62,600+	ZCS3531
16 - 18	406-457	131.79	3,290	138,000+	62,600+	ZCS3532
18 - 20	457-508	157.48	3,940	138,000+	62,600+	ZCS3533
20 - 23	508-584	196.85	4,920	138,000+	62,600+	ZCS3534
DOUBLE EYE						
4 - 5	102-127	94	2,360	123,000	55,800	ZCS3535
5 - 6	127-152	94	2,360	123,000	55,800	ZCS3536
6 - 8	152-203	94	2,360	127,500	57,850	ZCS3537
8 - 10	203-255	94	2,360	156,500	71,000	ZCS3538
10 - 12	255-305	94	2,360	156,500	71,000	ZCS3539
12 - 14	305-355	94	2,360	156,500+	71,000	ZCS3540
14 - 16	355-406	118.11	2,950	156,000+	71,000+	ZCS3541
16 - 18	406-457	131.79	3,290	156,500+	71,000+	ZCS3542
18 - 20	457-508	157.48	3,940	156,500+	71,000+	ZCS3543
20 - 23	508-584	196.85	4,920	156,500+	71,000+	ZCS3544
DOUBLE EYE LACE UP						
4 - 5	102-127	94	2,360	123,000	55,800	ZCS3545
5 - 6	127-152	94	2,360	123,000	55,800	ZCS3546
6 - 8	152-203	94	2,360	127,500	57,850	ZCS3547
8 - 10	203-255	94	2,360	156,500	71,000	ZCS3548
10 - 12	255-305	94	2,360	156,500	71,000	ZCS3549
12 - 14	305-355	94	2,360	156,500+	71,000	ZCS3550
14 - 16	355-406	118.11	2,950	156,000+	71,000+	ZCS3551
16 - 18	406-457	131.79	3,290	156,500+	71,000+	ZCS3552
18 - 20	457-508	157.48	3,940	156,500+	71,000+	ZCS3553
20 - 23	508-584	196.85	4,920	156,500+	71,000+	ZCS3554

R TYPE - ROTATING MULTI-WEAVE GRIP

Like the MU type, the rotating eye grip has a triple weave construction and is colour coded for ease of identification. The steel forged revolving head is ideal for connecting to Slingco swivels. Warning: The Slingco rotating eye does not revolve under load and does not replace the use of a line swivel. Please see page 32 for swivel and grip match-up and safety and technical information. Made of galvanised steel.



Colour Code	Range		Lattice Length		Approx. Break Load		Slingco Part No.
	in	mm	in	mm	lb	kg	
Dark Green	0.25 - 0.50	6-12	31	787	7,000	3,170	ZCS2177
Brown	0.50 - 0.75	12-19	45	1,143	10,500	4,760	ZCS2178
Light Blue	0.75 - 1.00	19-25	43	1,092	14,100	6,395	ZCS2179
Gold	1.00 - 1.25	25-32	65	1,651	25,000	11,340	ZCS2180
Black	1.25 - 1.50	32-38	59	1,499	31,000	14,065	ZCS2181
Red	1.50 - 1.75	38-44	82	2,083	31,000	14,065	ZCS2182
Dark blue	1.75 - 2.25	44-57	82	2,083	43,000	19,510	ZCS2183
Yellow	2.00 - 2.50	50-63	72	1,829	43,000	19,510	ZCS2779
Orange	2.50 - 3.00	63-76	72	1,829	43,000	19,510	ZCS2780
Aluminium	3.00 - 3.50	76-89	74	1,880	43,000	19,510	ZCS2781
Light Green	3.50 - 4.00	89-102	76	1,930	43,000	19,510	ZCS2782



RT TYPE - ROTATING EYE DOUBLE WEAVE GRIP



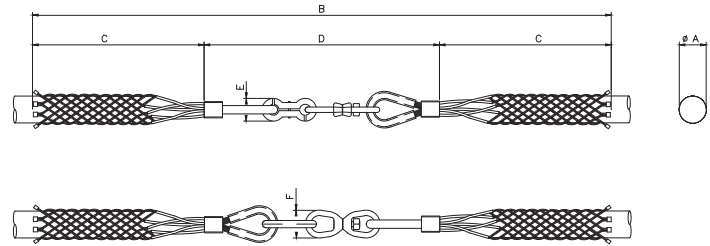
	Range		Lattice Length		Approx. Break Load		Slingco Part No.
	in	mm	in	mm	lb	kg	
SHORT LENGTH - GALVANISED STEEL							
	0.50 - 0.62	13-16	11	280	5,600	2,540	ZCS2734
	0.62 - 0.75	16-19	11	280	6,800	3,085	ZCS2735
	0.75 - 1.00	19-25	20	508	6,800	3,085	ZCS2736
	1.00 - 1.50	25-38	21	533	12,800	5,805	ZCS2738
	1.50 - 2.00	38-50	25	635	16,400	7,440	ZCS2739
	2.00 - 2.50	50-63	26	660	27,200	12,340	ZCS2740
	2.50 - 3.00	63-76	28	711	33,000	14,970	ZCS2741
	3.00 - 3.50	76-89	30	762	41,000	18,600	ZCS2742
	3.50 - 4.00	89-102	32	813	43,000	19,510	ZCS2743
	4.00 - 4.50	102-115	33	838	43,000	19,510	ZCS2744
STANDARD - LONGER LENGTH - GALVANISED STEEL							
	0.50 - 0.62	13-16	16	406	5,600	2,540	ZCS2745
	0.62 - 0.75	16-19	16	406	6,800	3,355	ZCS2746
	0.75 - 1.00	19-25	32	812	9,600	3,085	ZCS2747
	1.25 - 1.50	25-38	33	838	16,400	5,805	ZCS2748
	1.50 - 2.00	38-50	34	863	16,400	7,440	ZCS2749
	2.00 - 2.50	50-63	36	914	27,300	12,340	ZCS2750
	2.50 - 3.00	63-76	38	965	33,000	14,970	ZCS2751
	3.00 - 3.50	76-89	39	990	41,000	18,600	ZCS2752
	3.50 - 4.00	89-102	41	1,041	43,000	19,510	ZCS2753
	4.00 - 4.50	102-115	42	1,066	43,000	19,510	ZCS2754
	4.50 - 5.00	115-127	58	1,473	43,000	19,510	ZCS2755
	5.00 - 6.00	127-153	60	1,524	43,000	19,510	ZCS2756
	6.00 - 7.00	153-178	66	1,676	43,000	19,510	ZCS2757

Double weave construction for medium to heavy pulling applications in underground installations. Additionally its steel forged revolving head is ideal for connecting to Slingco swivels. Warning: The Slingco RT Type Rotating Eye Grip does not revolve under load. The rotating eye does not replace the need for a swivel. Please see page 32 for swivel and grip match-up and safety and technical information.

SPLICING GRIP - ROTATING SWIVEL LINK



Slingco Rotating Swivel Link Grips are perfect for stringing replacement wire and cable on equipment and in drilling or rigging systems. Not recommended for use in overhead stringing applications. Use the existing cable as a pull wire to string the replacement cable. These grips are available with differently sized grips for each side. Call for assistance in selecting the proper grip. Link opens for easy installation and adjustment. Made of galvanized steel.

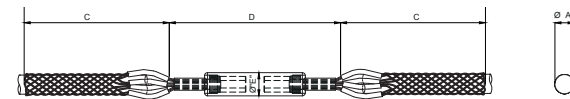


Range		Ø A Nominal		B Length		C Length		D Length		E Length		F Length		Approx. Break Load		Slingco Part No.
in	mm	in	mm	in	mm	in	mm	in	mm	in	mm	in	mm	lb	kg	
0.25 - 0.50	6-13	0.37	9.5	100.0	2,542	44.3	1,127	11.3	288	0.87	22	1.25	32	2,400	1,089	ZCS3493
0.50 - 1.00	13-25	0.75	19	103.2	2,621	45.7	1,160	11.8	301	1.38	35	1.25	32	3,526	1,599	ZCS3494
1.00 - 1.50	25-38	1.25	32	104.5	2,654	45.7	1,160	13.1	334	1.61	41	1.61	41	5,070	2,300	ZCS3495
1.50 - 2.00	38-51	1.75	44.5	105.2	2,673	45.7	1,160	13.9	353	1.61	41	2.0	51	8,000	3,629	ZCS3496
2.00 - 2.75	51-70	2.38	60.5	105.2	2,673	45.7	1,160	13.9	353	1.61	41	2.0	51	10,000	4,537	ZCS3497
2.75 - 3.50	70-90	3.15	80	105.2	2,673	45.7	1,160	13.9	353	1.61	41	2.0	51	10,000	4,537	ZCS3498
3.50 - 4.25	89-108	3.87	98.5	108.4	2,753	45.7	1,200	13.9	353	1.61	41	2.0	51	10,000	4,537	ZCS3499

SPLICING GRIP - ROTATING BARREL



Slingco Rotating Barrel Swivel grips have a high capacity swivel that travels smoothly when being strung in straight line pulling.



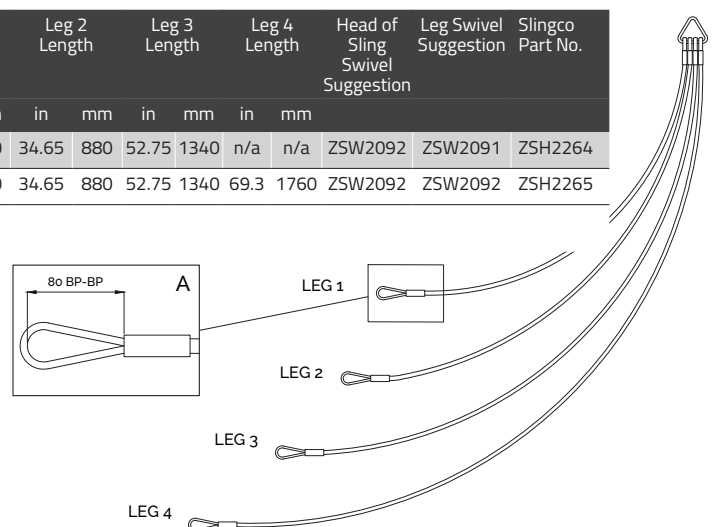
Range		Ø A Nominal		B Length		C Length		D Length		Ø E		Approx. Break Load		Slingco Part No.
in	mm	in	mm	in	mm	in	mm	in	mm	in	mm	lb	kg	
0.25-0.50	6-13	0.37	9.5	66.1	1,680	29.7	755	6.7	170	0.9	23	4,400	1,964	ZCS3505
0.50-1.00	13-25	0.75	19	87.8	2,230	40.0	1,015	7.9	200	1.0	25.4	7,400	3,304	ZCS3506
1.00-1.50	25-38	1.25	32	79.9	2,030	35.2	895	9.5	240	1.4	36	10,000	4,530	ZCS3507
1.50-2.00	38-51	1.75	44.5	72.0	1,830	31.3	795	9.5	240	1.4	36	12,000	5,357	ZCS3508
2.00-2.75	51-70	2.38	60.5	85.8	2,180	37.0	940	11.8	300	1.6	41	16,000	7,142	ZCS3509
2.75-3.50	70-90	3.15	80	107.5	2,730	47.0	1,195	13.3	340	1.9	48.5	20,000	8,928	ZCS3510
3.50-4.25	89-108	3.87	98.5	104.3	2,650	44.5	1,130	15.3	390	1.9	48.5	24,000	10,714	ZCS3511

TRI & QUAD PULLING SLING

This staggered pulling sling is designed to allow the pulling of multiple conductors at the same time while minimizing the overall diameter of your pulling bundle. These pulling slings come in a three leg or four leg versions. One should use a swivel for each leg and at the head of the sling to release torsion and allow the conductors to rotate freely. The suggested swivels are listed with each model.



Leg 1 Length		Leg 2 Length		Leg 3 Length		Leg 4 Length		Head of Sling Swivel Suggestion	Leg Swivel Suggestion	Slingco Part No.
in	mm	in	mm	in	mm	in	mm			
20.5	520	34.65	880	52.75	1340	n/a	n/a	ZSW2092	ZSW2091	ZSH2264
20.5	520	34.65	880	52.75	1340	69.3	1760	ZSW2092	ZSW2092	ZSH2265



OPEN ENDED GRIP



Range		Lattice Weave	Lattice Length		Approx. Break Load		Slingco Part No.
in	mm		in	mm	lb	kg	
OPEN ENDED STANDARD GRIP - GALVANIZED							
0.25 - 0.50	10-13	Single	15	380	1,680	760	ZCS0313
0.25 - 0.50	10-13	Double	22	559	3,500	1,588	ZCS6420
0.50 - 0.75	13-19	Single	24	610	2,240	1,015	ZCS0314
0.50 - 0.75	13-19	Double	30	762	4,500	2,040	ZCS6421
0.50 - 0.75	13-19	Multi	70	1,779	7,500	3,400	ZCS6425
0.75 - 1.00	19-25	Single	28	710	5,600	2,540	ZCS0315
0.75 - 1.00	19-25	Double	30	762	8,000	3,630	ZCS6422
0.75 - 1.00	19-25	Multi	80	2,032	11,800	5,352	ZCS6426
1.00 - 1.50	25-38	Single	32	815	7,840	3,555	ZCS0316
1.00 - 1.50	25-38	Double	36	915	10,000	4,537	ZCS6423
1.00 - 1.50	25-38	Multi	90	2,285	20,000	9,070	ZCS6427
1.50 - 2.00	38-50	Double	36	915	11,200	5,080	ZCS0317
2.00 - 2.50	50-63	Double	42	1,065	11,200	5,080	ZCS0318
2.50 - 3.50	63-89	Double	48	1,220	13,440	6,095	ZCS1158
3.50 - 4.50	89-115	Double	54	1,370	15,680	7,110	ZCS1159
4.25 - 4.88	108-124	Triple	55	1,400	19,500	8,847	ZCS6424
4.50 - 5.50	115-140	Double	54	1,370	15,680	7,110	ZCS1975
OPEN ENDED STANDARD GRIP - 316 STAINLESS STEEL							
0.25 - 0.50	10-13	Single	15	380	1,344	610	ZCS1995
0.50 - 0.75	13-19	Single	24	610	1,792	810	ZCS1996
0.75 - 1.00	19-25	Single	28	710	4,480	2,030	ZCS1997
1.00 - 1.50	25-38	Single	32	815	6,272	2,845	ZCS1998
1.50 - 2.00	38-50	Double	36	915	8,960	4,065	ZCS1999
2.00 - 2.50	50-63	Double	42	1,065	8,960	4,065	ZCS2000
2.50 - 3.50	63-89	Double	48	1,220	10,752	4,875	ZCS2001
3.50 - 4.50	89-115	Double	54	1,370	12,544	5,690	ZCS2002
4.50 - 5.50	115-140	Double	54	1,370	12,544	5,690	ZCS2003

Ideal for joining two cables to form a continuous loop. Typical application: replacement of lift cables, where the old cable would be attached to the new one, and the cable then fed around with ease. Also used to temporarily splice cable and conductor where torsion forces are NOT an issue. Torsion should be released prior to splicing. Where torsion is present a swivel and two grips should be used.

FIBRE OPTIC CABLE GRIP



Range		Lattice Length		Overall Length		Approx. Break Load		Slingco Part No.
in	mm	in	mm	in	mm	lb	kg	
0.11 - 0.23	2.5 - 5.6	11	265	18	455	950	431	ZCS2008
0.21 - 0.36	5.3 - 9.2	15	370	22	560	1,650	748	ZCS2009
0.32 - 0.49	8.1 - 12.5	19	470	27	690	2,200	998	ZCS2010
0.42 - 0.62	10.7 - 15.8	20	515	29	735	2,750	1,247	ZCS2011
0.53 - 0.75	13.5 - 19.1	23	595	32	815	3,700	1,678	ZCS2012
0.64 - 0.88	16.3 - 22.4	25	645	34	865	4,250	1,928	ZCS2013
0.75 - 1.00	19.1 - 25.5	27	720	37	940	4,250	1,928	ZCS2014

Dual weave design from galvanised wire rope. Used for the installation of fibre optic cables for either overhead or underground applications. Made of galvanised steel.

SLINGCO NON-METALLIC ARAMID CABLE GRIPS

FOR PULLING CABLE IN MANY INDUSTRIAL & COMMERCIAL PROJECTS



Slingco's Non-Metallic Aramid Cable Grip Features:

- Break loads similar to steel cable grips
- Lightweight
- No more frayed grip wires
- UV Resistant and strong enough to last in salt water, pollutants, and underground
- We can create custom grips to meet your specifications

Slingco's line of Non-Metallic Aramid Cable Grips are ideal for use in fiber optic cable installation operations, offshore applications, or for a multitude of uses in the utilities industry.

These grips are made of a high-strength, non-metallic aramid fiber, with UV protective coating, and now feature an improved weight to break ratio. They are suitable for pulling both single cable and multiple cable bundles.

Thanks to the non-metallic material, these grips are easy to work with even without gloves. The woven mesh material also offers

a non-metallic, non-conductive alternative to steel grips.

We have many different styles of Non-Metallic Aramid Cable Grips for your project, such as Single Eye, Double Eye, Offset Eye, Lace Up, Mining Grips, and our new Single Eye Double Weave Grips made of ultra flex aramid material. We can also work with you to customize an Aramid Cable Grip to match any particular project specifications.

Call your Slingco Account Manager today and they will help you select the right grip for your project!

NS TYPE - SINGLE EYE ARAMID CABLE GRIP



Single Eye Single Weave Non-Metallic Cable Grip



Single Eye Double Weave Non-Metallic Cable Grip

Range		Lattice Length		Approx. Break Load		Slingco Part No.
in	mm	in	mm	lb	kg	
SINGLE EYE SINGLE WEAVE NON-METALLIC CABLE GRIP						
0.38 - 0.75	10 - 20	24	600	2,460	1,115	ZCS1040
0.75 - 1.25	20 - 30	24	600	3,580	1,620	ZCS1022
1.00 - 1.50	25 - 36	24	600	3,580	1,620	ZCS2923
1.25 - 1.50	30 - 40	24	600	4,920	2,230	ZCS1041
1.50 - 2.00	40 - 50	24	600	5,820	2,640	ZCS1042
SINGLE EYE DOUBLE WEAVE NON-METALLIC CABLE GRIP						
1.25 - 1.50	30 - 40	24	600	9,860	4,470	ZCS1023
1.50 - 2.00	40 - 50	24	600	11,880	5,390	ZCS1024
2.00 - 2.50	50 - 65	24	600	15,900	7,210	ZCS1179
2.50 - 3.00	65 - 76	24	600	15,900	7,210	ZCS1180
3.00 - 4.00	76 - 100	24	600	15,900	7,210	ZCS1181
4.00 - 5.00	102 - 127	120	3,048	15,900	7,210	ZCS4079
Range		Color code		Approx. Break Load		Slingco Part No.
in	mm			lb	kg	
ULTRA-FLEX SINGLE EYE DOUBLE WEAVE NON-METALLIC CABLE GRIP						
0.63 - 0.75	16 - 19	Yellow		5,000	2,267	ZCS09336
0.75 - 1.00	19 - 25	Red		6,000	2,721	ZCS09337
1.00 - 1.25	25 - 31	Blue		6,000	2,721	ZCS09338
1.25 - 1.50	31 - 38	White		6,000	2,721	ZCS09339

ND TYPE - DOUBLE EYE ARAMID CABLE GRIP



Range		Lattice Length		Approx. Break Load		Slingco Part No.
in	mm	in	mm	lb	kg	
DOUBLE EYE SINGLE WEAVE NON-METALLIC GRIP						
0.38 - 0.75	10 - 20	24	600	2,460	1,115	ZCS1148
0.75 - 1.25	20 - 30	24	600	3,580	1,620	ZCS1176
1.00 - 1.50	25 - 36	24	600	3,580	1,620	ZCS2922
1.25 - 1.50	30 - 40	24	600	4,920	2,230	ZCS1177
1.50 - 2.00	40 - 50	24	600	5,820	2,640	ZCS1178
DOUBLE EYE DOUBLE WEAVE NON-METALLIC GRIP						
1.25 - 1.50	30 - 40	24	600	9,860	4,470	ZCS1182
1.50 - 2.00	40 - 50	24	600	11,880	5,390	ZCS1183
2.00 - 2.50	50 - 65	24	600	15,900	7,210	ZCS1184
2.50 - 3.00	65 - 76	24	600	15,900	7,210	ZCS1185
3.00 - 4.00	76 - 100	24	600	15,900	7,210	ZCS1186
4.00 - 5.00	102 - 127	60.6	1,540	15,900	7,210	ZCS3813

NO TYPE - OFFSET EYE ARAMID CABLE GRIP



Single Offset Eye Single Weave Non-Metallic Grip

Range		Lattice Length		Approx. Break Load		Slingco Part No.
in	mm	in	mm	lb	kg	
SINGLE OFFSET EYE SINGLE WEAVE NON-METALLIC GRIP						
0.38 - 0.75	10 - 20	24	600	2,460	1,115	ZCS2810
0.75 - 1.25	20 - 30	24	600	3,580	1,620	ZCS2811
1.00 - 1.50	25 - 36	24	600	3,580	1,620	ZCS2921
1.25 - 1.50	30 - 40	24	600	4,920	2,230	ZCS2812
1.50 - 2.00	40 - 50	24	600	5,820	2,640	ZCS2813
SINGLE OFFSET EYE DOUBLE WEAVE NON-METALLIC GRIP						
0.50 - 1.00	13 - 25	39	990	8,093	3,671	ZCS09342
1.25 - 1.50	30 - 40	24	600	9,860	4,470	ZCS2814
1.50 - 2.00	40 - 50	24	600	11,880	5,390	ZCS2815
2.00 - 2.50	50 - 65	24	600	15,900	7,210	ZCS2816
2.50 - 3.00	64 - 76	39	990	15,000	6,696	ZCS6005
2.50 - 3.00	64 - 76	30	762	5,000	2,268	ZCS9000
2.50 - 3.00	64 - 76	24	600	15,900	7,210	ZCS2817
3.00 - 4.00	76 - 100	24	600	15,900	7,210	ZCS2818
3.00 - 4.00	76 - 100	24	610	15,000	6,696	ZCS6006
4.00 - 5.00	102 - 127	24	610	15,000	6,696	ZCS6007
SINGLE OFFSET EYE LACE UP NON-METALLIC CABLE GRIP						
0.62 - 1.00	15 - 25	59	1498	13,000	5,896	ZCS09323
DOUBLE OFFSET EYE NON-METALLIC CABLE GRIP						
2.50 - 3.00	64 - 76	39	990	8,000	3,629	ZCS8176
2.50 - 3.50	64 - 89	36	914	9,000	4,083	ZCS09959
3.00 - 4.00	76 - 101	33	838	9,000	4,082	ZCS6823



Single Offset Eye Lace Up Non-Metallic Cable Grip



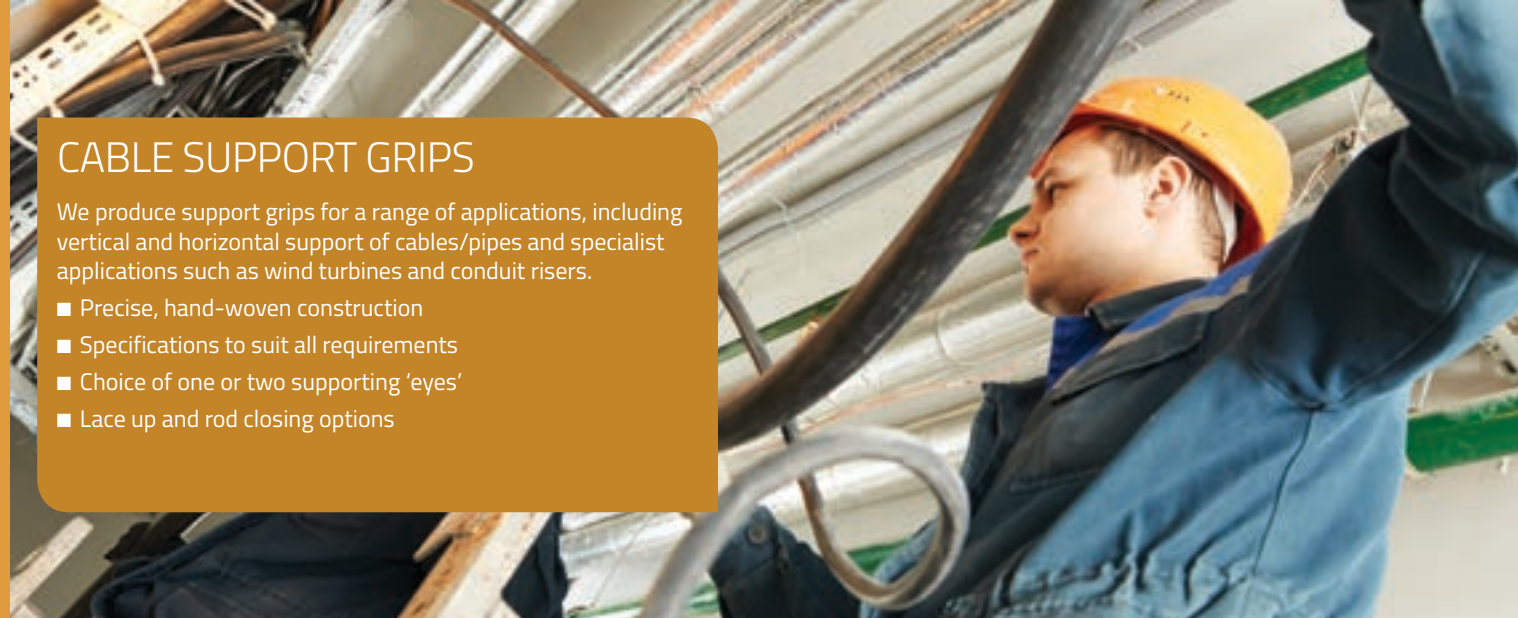
Double Offset Eye Non-Metallic Cable Grip



CABLE SUPPORT GRIPS

We produce support grips for a range of applications, including vertical and horizontal support of cables/pipes and specialist applications such as wind turbines and conduit risers.

- Precise, hand-woven construction
- Specifications to suit all requirements
- Choice of one or two supporting 'eyes'
- Lace up and rod closing options



WIND TURBINE SUPPORT GRIP - HEAVY DUTY THIMBLE OFFSET EYE

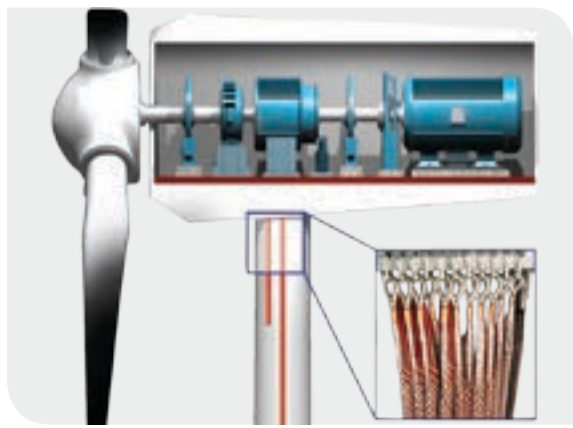


Slingco has developed a range of cable grips tailored for the renewable energy sector for use in:

- Cable installation – on-shore and off-shore
- Cable support inside wind turbines
- Cable management

For wind turbines, special features have been adapted to allow for minimal contact with the actual cable while still allowing excellent working loads and cable support.

The Slingco Wind Turbine Support Grip is manufactured from 316 Stainless Steel and provides cable support and control inside the wind turbine. It features rounded copper ferrules and offers reduced cable contact for high vibration environments. Custom grips can be adapted to meet any requirement.



Range		Lattice Length		Approx. Break Load		Slingco Part No.
in	mm	in	mm	lb	kg	
0.31 - 0.40	8 - 10	25	635	1,485	670	ZCS2844
0.40 - 0.60	10 - 15	26	660	2,295	1,040	ZCS2845
0.60 - 0.80	15 - 20	28	711	2,900	1,315	ZCS2846
0.80 - 0.99	20 - 25	29	736	4,550	2,080	ZCS2847
1.0 - 1.19	25 - 30	29	736	5,450	2,475	ZCS2848
1.20 - 1.58	30 - 40	31	787	7,800	3,575	ZCS2849
1.58 - 1.98	40 - 50	39	990	10,750	4,890	ZCS2850
1.98 - 2.37	50 - 60	39	990	10,750	4,890	ZCS2851
2.38 - 2.77	60 - 70	47	1194	14,000	6,420	ZCS2852
2.77 - 3.55	70 - 90	47	1194	14,000	6,420	ZCS2853
3.55 - 4.33	90 - 110	47	1194	18,000	8,165	ZCS2854

EXTENDED THIMBLE EYE HEAVY DUTY DOUBLE WEAVE STAINLESS STEEL CABLE GRIP



Range		Lattice Length		Eye Extension Length		Approx. Break Load		Slingco Part No.
in	mm	in	mm	in	mm	lb	kg	
0.39 - 0.60	10 - 15	20	500	20	350	2,295	1,040	ZCS2870
0.60 - 0.80	15 - 20	20	500	20	350	2,903	1,315	ZCS2871
0.80 - 0.99	20 - 25	20	500	20	350	4,590	2,082	ZCS2872
1.0 - 1.19	25 - 30	20	500	20	350	5,468	2,480	ZCS2873
1.20 - 1.58	30 - 40	20	500	20	350	7,898	3,582	ZCS2874

SINGLE EYE CLOSED MESH CABLE SUPPORT GRIP

Slingco closed mesh support grip in Stainless Steel. Closed mesh for when end of cable is available.



Range		Lattice Length		Approx. Break Load		Slingco Part No.
in	mm	in	mm	lb	kg	
0.50 - 0.63	12 - 16	9.7	247	567	255	ZCS1893
0.63 - 0.75	16 - 19	9.7	247	890	400	ZCS1894
0.75 - 1.00	19 - 25	13	331	1,040	470	ZCS1895
1.00 - 1.25	25 - 31	13.5	344	1,700	770	ZCS1896
1.25 - 1.50	31 - 38	15	382	1,700	770	ZCS1897
1.50 - 1.75	38 - 44	16.5	420	1,700	770	ZCS1898
1.75 - 2.00	44 - 50	20	509	2,300	1,040	ZCS1899
2.00 - 2.50	50 - 63	21	535	3,400	1,540	ZCS1900
2.50 - 3.00	63 - 76	24	611	3,400	1,540	ZCS1901
3.00 - 3.50	76 - 89	26	662	5,000	2,265	ZCS1902
3.50 - 4.00	89 - 102	29	738	5,000	2,265	ZCS1903
3.50 - 4.50	89 - 114	46	1,168	5,000	2,265	ZCS5032

SINGLE EYE SPLIT MESH LACE CLOSING CABLE SUPPORT GRIP

In Stainless Steel. Split mesh is for when end of cable is not available.



Range		Lattice Length		Approx. Break Load		Slingco Part No.
in	mm	in	mm	lb	kg	
0.50 - 0.63	12 - 16	9.7	247	567	255	ZCS1904
0.63 - 0.75	16 - 19	9.7	247	890	400	ZCS1905
0.75 - 1.00	19 - 25	13	331	1,040	470	ZCS1906
1.00 - 1.25	25 - 31	13.5	344	1,700	770	ZCS1907
1.25 - 1.50	31 - 38	15	382	1,700	770	ZCS1908
1.50 - 1.75	38 - 44	16.5	420	1,700	770	ZCS1909
1.75 - 2.00	44 - 50	20	509	2,300	1,040	ZCS1910
2.00 - 2.50	50 - 63	21	535	3,400	1,540	ZCS1911
2.50 - 3.00	63 - 76	24	611	3,400	1,540	ZCS1912
3.00 - 3.50	76 - 89	26	662	5,000	2,265	ZCS1913
3.50 - 4.00	89 - 102	29	738	5,000	2,265	ZCS1914

SINGLE EYE SPLIT MESH ROD CLOSING CABLE SUPPORT GRIP

Similar to the lace up grip, in Stainless Steel, but in this design it is closed by inserting a metal rod down the length of the grip. For when end of cable is not available.



Range		Lattice Length		Approx. Break Load		Slingco Part No.
in	mm	in	mm	lb	kg	
0.50 - 0.63	12 - 16	9.7	247	567	255	ZCS2362
0.63 - 0.75	16 - 19	9.7	247	890	400	ZCS2363
0.75 - 1.00	19 - 25	13	331	1,040	470	ZCS2162
1.00 - 1.25	25 - 31	13.5	344	1,700	770	ZCS2163
1.25 - 1.50	31 - 38	15	382	1,700	770	ZCS2164
1.50 - 1.75	38 - 44	16.5	420	1,700	770	ZCS2165
1.75 - 2.00	44 - 50	20	509	2,300	1,040	ZCS2166
2.00 - 2.50	50 - 63	21	535	3,400	1,540	ZCS2167
2.50 - 3.00	63 - 76	24	611	3,400	1,540	ZCS2168
3.00 - 3.50	76 - 89	26	662	5,000	2,265	ZCS2169
3.50 - 4.00	89 - 102	29	738	5,000	2,265	ZCS2372

DOUBLE EYE CLOSED MESH CABLE SUPPORT GRIP

Double eye closed mesh support grip in stainless steel. Two eyes for two connect/support points. Closed mesh for when end of cable is available.



Range		Lattice Length		Approx. Break Load		Slingco Part No.
in	mm	in	mm	lb	kg	
0.50 - 0.63	12 - 16	9.7	247	512	230	ZCS2038
0.63 - .0.75	16 - 19	9.7	247	740	335	ZCS2039
0.75 - 1.00	19 - 25	13	331	1,000	450	ZCS2040
1.00 - 1.25	25 - 31	15	344	1,540	695	ZCS2041
1.25 - 1.50	31 - 38	16.5	382	1,540	695	ZCS2042
1.50 - 1.75	38 - -44	20	420	2,010	910	ZCS2043
1.75 - 2.00	44 - 50	21	509	3,230	1,465	ZCS2044
2.00 - 2.50	50 - 63	24	535	3,230	1,465	ZCS2045
2.50 - 3.00	63 - 76	26	611	4,000	1,815	ZCS2046
3.00 - 3.50	76 - 89	29	662	4,000	1,815	ZCS2047
3.50 - 4.00	89 - 102	29	738	4,001	1,815	ZCS2048
4.00 - 4.50	102-114	30	762	4,000	1,815	ZCS6404
4.50 - 5.00	114-127	30	762	4,000	1,815	ZCS6405
5.00 - 5.50	127-140	30	762	4,000	1,815	ZCS6406

DOUBLE EYE SPLIT MESH LACE CLOSING CABLE SUPPORT GRIP

Double eye split mesh lace closing, in Stainless Steel, for secure attachment and support where the cable end is not accessible.



Range		Lattice Length		Approx. Break Load		Slingco Part No.
in	mm	in	mm	lb	kg	
0.50 - 0.63	12 - 16	10	254	530	240	ZCS2998
0.63 - .0.75	16 - 19	10	254	790	360	ZCS2999
0.75 - 1.00	19 - 25	13	330	1,020	460	ZCS3000
1.00 - 1.25	25 - 31	14	355	1,610	730	ZCS3001
1.25 - 1.50	31 - 38	15	381	1,610	730	ZCS3002
1.50 - 1.75	38 - -44	17	432	1,610	730	ZCS3003
1.75 - 2.00	44 - 50	19	482	2,150	975	ZCS3004
2.00 - 2.50	50 - 63	21	533	3,260	1,480	ZCS3005
2.50 - 3.00	63 - 76	23	584	3,260	1,480	ZCS3006
3.00 - 3.50	76 - 89	25	635	4,900	2,222	ZCS3007
3.50 - 4.00	89 - 102	27	685	4,900	2,222	ZCS3008

DOUBLE EYE SPLIT MESH ROD CLOSING CABLE SUPPORT GRIP

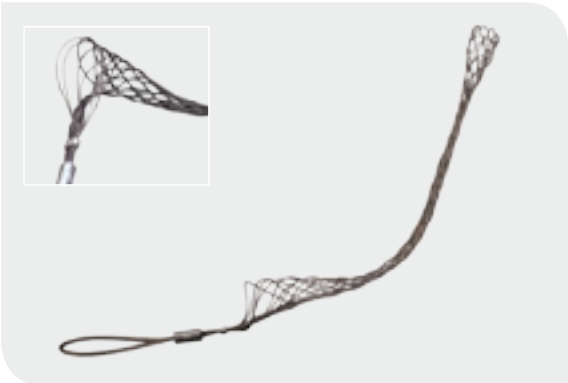
Double eye split mesh rod closing, in Stainless Steel, for secure attachment and support where the cable end is not accessible.



Range		Lattice Length		Approx. Break Load		Slingco Part No.
in	mm	in	mm	lb	kg	
0.50 - 0.63	12 - 16	8.5	216	790	355	ZCS3009
0.63 - .0.75	16 - 19	8.5	216	790	355	ZCS3010
0.75 - 1.00	19 - 25	10.5	266	1,020	460	ZCS3011
1.00 - 1.25	25 - 31	12.5	317	1,610	730	ZCS3012
1.25 - 1.50	31 - 38	14.5	368	1,610	730	ZCS3013
1.50 - 1.75	38 - -44	15.5	394	1,610	730	ZCS3014
1.75 - 2.00	44 - 50	16.5	419	2,150	975	ZCS3015
2.00 - 2.50	50 - 63	19.5	495	3,260	1,475	ZCS3016
2.50 - 3.00	63 - 76	21.5	546	3,260	1,475	ZCS3017
3.00 - 3.50	76 - 89	23.5	597	5,750	2,600	ZCS3018
3.50 - 4.00	89 - 102	25.5	648	5,750	2,600	ZCS3019

OFFSET EYE CLOSED MESH CABLE SUPPORT GRIP

The offset eye grip is designed to support the cable weight as it hangs vertically or horizontally. Closed mesh for when end of cable is available.



Range		Lattice Length		Approx. Break Load		Slingco Part No.
in	mm	in	mm	lb	kg	
0.50 - 0.63	12 - 16	9.7	247	512	230	ZCS1915
0.63 - .0.75	16 - 19	9.7	247	740	335	ZCS1916
0.75 - 1.00	19 - 25	13	331	1,000	450	ZCS1917
1.00 - 1.25	25 - 31	13.5	344	1,540	695	ZCS1918
1.25 - 1.50	31 - 38	15	382	1,540	695	ZCS1919
1.50 - 1.75	38 - 44	16.5	420	1,540	910	ZCS1920
1.75 - 2.00	44 - 50	20	509	2,010	1,465	ZCS1921
2.00 - 2.50	50 - 63	21	535	3,230	1,465	ZCS1922
2.50 - 3.00	63 - 76	24	611	3,230	1,815	ZCS1923
3.00 - 3.50	76 - 89	26	662	4,000	1,815	ZCS1924
3.50 - 4.00	89 - 102	29	738	4,000	1,815	ZCS1925
4.00 - 4.50	102-114	28	711	4,000	1,815	ZCS6408
4.50 - 5.00	114-127	28	711	4,000	1,815	ZCS6409
5.00 - 5.50	127-140	28	711	4,000	1,815	ZCS6410

OFFSET EYE SPLIT MESH LACE CLOSING CABLE SUPPORT GRIP

This grip, in Stainless Steel, is ideal for several support points along the same cable when the cable ends are not accessible.



Range		Lattice Length		Approx. Break Load		Slingco Part No.
in	mm	in	mm	lb	kg	
0.50 - 0.63	12 - 16	10	254	500	225	ZCS1926
0.63 - .0.75	16 - 19	10	254	750	340	ZCS1927
0.75 - 1.00	19 - 25	13	330	950	430	ZCS1928
1.00 - 1.25	25 - 31	14	355	1,500	680	ZCS1929
1.25 - 1.50	31 - 38	15	381	1,500	680	ZCS1930
1.50 - 1.75	38 - 44	17	432	1,500	680	ZCS1931
1.75 - 2.00	44 - 50	19	482	2,000	905	ZCS1932
2.00 - 2.50	50 - 63	21	533	2,150	975	ZCS1933
2.50 - 3.00	63 - 76	23	584	2,150	975	ZCS1934
3.00 - 3.50	76 - 89	25	635	3,800	1,720	ZCS1935
3.50 - 4.00	89 - 102	27	685	3,800	1,720	ZCS1936

OFFSET EYE SPLIT MESH ROD CLOSING CABLE SUPPORT GRIP

Ideal for several support points along the same cable when the cable ends are not accessible. Made from Stainless Steel.



Range		Lattice Length		Approx. Break Load		Slingco Part No.
in	mm	in	mm	lb	kg	
0.50 - 0.63	12 - 16	7	178	500	225	ZCS3031
0.63 - .0.75	16 - 19	9	229	750	340	ZCS3032
0.75 - 1.00	19 - 25	10	254	950	430	ZCS3033
1.00 - 1.25	25 - 31	12	305	1,500	680	ZCS3034
1.25 - 1.50	31 - 38	14	359	1,500	680	ZCS3035
1.50 - 1.75	38 - 44	15	381	1,500	680	ZCS3036
1.75 - 2.00	44 - 50	16	406	2,000	905	ZCS3037
2.00 - 2.50	50 - 63	19	483	3,100	975	ZCS3038
2.50 - 3.00	63 - 76	20	508	3,100	975	ZCS3039
3.00 - 3.50	76 - 89	21	533	4,300	1,720	ZCS3040
3.50 - 4.00	89 - 102	21	533	4,900	1,720	ZCS3041



For swivels see page 32 in the Hardware & Accessories section.

UNIVERSAL EYE CLOSED MESH CABLE SUPPORT GRIP

Fitted with an adjustable eye for easy and secure attachment, where the end of the cable can be inserted in to the support grip. Made from Stainless Steel.



Range		Lattice Length		Approx. Break Load		Slingco Part No.
in	mm	in	mm	lb	kg	
0.50 - 0.63	12 - 16	10	254	530	240	ZCS2664
0.63 - .0.75	16 - 19	10	254	790	360	ZCS2665
0.75 - 1.00	19 - 25	13	330	1,020	460	ZCS2666
1.00 - 1.25	25 - 31	14	355	1,610	730	ZCS2667
1.25 - 1.50	31 - 38	15	381	1,610	730	ZCS2324
1.50 - 1.75	38 - 44	17	432	1,610	730	ZCS2668
1.75 - 2.00	44 - 50	19	483	2,150	975	ZCS2669
2.00 - 2.50	50 - 63	21	533	3,260	1,480	ZCS2670
2.50 - 3.00	63 - 76	23	584	3,260	1,480	ZCS2671

UNIVERSAL EYE SPLIT MESH LACE CLOSING CABLE SUPPORT GRIP

Fitted with an adjustable eye for easy and secure attachment, where the end of the cable is not accessible. Made from Stainless Steel.



Range		Lattice Length		Approx. Break Load		Slingco Part No.
in	mm	in	mm	lb	kg	
0.50 - 0.63	12 - 16	10	254	530	240	ZCS2672
0.63 - .0.75	16 - 19	10	254	790	360	ZCS2673
0.75 - 1.00	19 - 25	13	330	1,020	460	ZCS2674
1.00 - 1.25	25 - 31	14	355	1,610	730	ZCS2675
1.25 - 1.50	31 - 38	15	381	1,610	730	ZCS2676
1.50 - 1.75	38 - 44	17	432	1,610	730	ZCS2677
1.75 - 2.00	44 - 50	19	483	2,150	975	ZCS2678
2.00 - 2.50	50 - 63	21	533	3,260	1,480	ZCS2679
2.50 - 3.00	63 - 76	23	584	3,280	1,480	ZCS2680
3.00 - 3.50	76 - 89	25	635	4,900	2,222	ZCS2681
3.50 - 4.00	89 - 102	27	686	4,900	2,222	ZCS2682

UNIVERSAL EYE SPLIT MESH ROD CLOSING CABLE SUPPORT GRIP

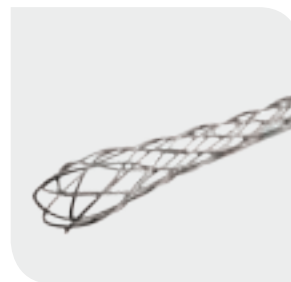
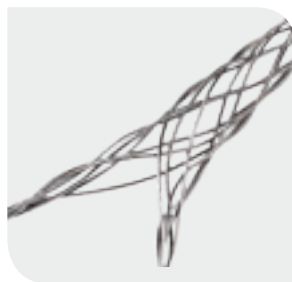
Fitted with an adjustable eye for easy and secure attachment, where the end of the cable is not accessible. Made from Stainless Steel.



Range		Lattice Length		Approx. Break Load		Slingco Part No.
in	mm	in	mm	lbs	kg	
0.50 - 0.63	12 - 16	8.5	216	530	240	ZCS2683
0.63 - .0.75	16 - 19	8.5	216	790	360	ZCS2684
0.75 - 1.00	19 - 25	10.5	267	1,020	460	ZCS2685
1.00 - 1.25	25 - 31	12.5	317	1,610	730	ZCS2686
1.25 - 1.50	31 - 38	14.5	368	1,610	730	ZCS2687
1.50 - 1.75	38 - 44	15.5	394	1,610	730	ZCS2688

HEAVY DUTY CABLE SUPPORT GRIPS

Heavy Duty support grips made from stainless steel are perfect for supporting heavier cable, conduit or any other cylindrical object. Often used by Utilities and Contractors to support cables transitioning from overhead to underground. One may support multiple cables in one grip. The overall diameter of the cable bundle should fit within the listed range.



HEAVY DUTY SUPPORT GRIPS - SINGLE EYE

Range		Approx. Break Load		Slingco Part No.
in	mm	lb	kg	
0.50 - 0.63	13 - 16	1,370	621	ZCS7065
0.63 - 0.75	16 - 19	2,060	944	ZCS7066
0.75 - 1.00	19 - 25	2,060	944	ZCS7067
1.00 - 1.25	25 - 32	2,678	1,216	ZCS7068
1.25 - 1.50	32 - 38	4,490	2,037	ZCS7069
1.50 - 1.75	38 - 44	4,490	2,037	ZCS7070
1.75 - 2.00	44 - 51	5,000	2,269	ZCS7071
2.00 - 2.50	51 - 63	8,940	4,056	ZCS7072
2.50 - 3.00	63 - 76	8,940	4,056	ZCS7073
3.00 - 3.50	76 - 87	13,420	6,089	ZCS7074
3.50 - 4.00	87 - 102	13,420	6,089	ZCS7075

HEAVY DUTY SUPPORT GRIPS - DOUBLE EYE

Range		Approx. Break Load		Slingco Part No.
in	mm	lb	kg	
0.50 - 0.63	13 - 16	1,370	621	ZCS3057
0.63 - 0.75	16 - 19	2,080	944	ZCS3058
0.75 - 1.00	19 - 25	2,080	944	ZCS3059
1.00 - 1.25	25 - 31	2,870	1,302	ZCS3060
1.25 - 1.50	31 - 38	4,490	2,037	ZCS3061
1.50 - 1.75	38 - 44	4,490	2,037	ZCS3062
1.75 - 2.00	44 - 50	5,000	2,268	ZCS3063
2.00 - 2.50	50 - 63	8,940	4,056	ZCS3064
2.50 - 3.00	63 - 76	8,940	4,056	ZCS3065
3.00 - 3.50	76 - 89	12,000	5,445	ZCS3066
3.50 - 4.00	89 - 102	12,000	5,445	ZCS3067

HEAVY DUTY SUPPORT GRIPS - SINGLE EYE LACE-UP

Range		Approx. Break Load		Slingco Part No.
in	mm	lb	kg	
0.50 - 0.63	13 - 16	1,370	621	ZCS6907
0.63 - 0.75	16 - 19	2,080	944	ZCS6908
0.75 - 1.00	19 - 25	2,080	944	ZCS6909
1.00 - 1.25	25 - 32	2,670	1,211	ZCS6910
1.25 - 1.50	32 - 38	4,490	2,037	ZCS6911
1.50 - 1.75	38 - 44	4,490	2,037	ZCS6912
1.75 - 2.00	44 - 51	5,000	2,269	ZCS6913
2.00 - 2.50	51 - 63	8,940	4,056	ZCS6914
2.50 - 3.00	63 - 76	8,940	4,056	ZCS6915
3.00 - 3.50	76 - 87	13,420	6,089	ZCS6916
3.50 - 4.00	87 - 102	13,420	6,089	ZCS6917

HEAVY DUTY SUPPORT GRIPS - DOUBLE EYE LACE-UP

Range		Approx. Break Load		Slingco Part No.
in	mm	lb	kg	
0.50 - 0.63	13 - 16	1,370	621	ZCS7087
0.63 - 0.75	16 - 19	2,080	944	ZCS7088
0.75 - 1.00	19 - 25	2,080	944	ZCS7089
1.00 - 1.25	25 - 32	2,670	1,211	ZCS7090
1.25 - 1.50	32 - 38	4,490	2,037	ZCS7091
1.50 - 1.75	38 - 44	4,490	2,037	ZCS7092
1.75 - 2.00	44 - 51	5,000	2,269	ZCS7093
2.00 - 2.50	51 - 63	8,940	4,056	ZCS7094
2.50 - 3.00	63 - 76	8,940	4,056	ZCS7095
3.00 - 3.50	76 - 87	13,420	6,089	ZCS7096
3.50 - 4.00	87 - 102	13,420	6,089	ZCS7097

HEAVY DUTY SUPPORT GRIPS - SINGLE EYE ROD CLOSING

Range		Approx. Break Load		Slingco Part No.
in	mm	lb	kg	
0.50 - 0.63	13 - 16	1370	621	ZCS7076
0.63 - 0.75	16 - 19	2080	944	ZCS7077
0.75 - 1.00	19 - 25	2080	944	ZCS7078
1.00 - 1.25	25 - 32	2670	1211	ZCS7079
1.25 - 1.50	32 - 38	4490	2037	ZCS7080
1.50 - 1.75	38 - 44	4490	2037	ZCS7081
1.75 - 2.00	44 - 51	5000	2269	ZCS7082
2.00 - 2.50	51 - 63	8940	4056	ZCS7083
2.50 - 3.00	63 - 76	8940	4056	ZCS7084
3.00 - 3.50	76 - 87	13420	6089	ZCS7085
3.50 - 4.00	87 - 102	13420	6089	ZCS7086

HEAVY DUTY SUPPORT GRIPS - DOUBLE EYE ROD CLOSING

Range		Approx. Break Load		Slingco Part No.
in	mm	lb	kg	
0.50 - 0.63	13 - 16	1,370	621	ZCS7098
0.63 - 0.75	16 - 19	2,080	944	ZCS7099
0.75 - 1.00	19 - 25	2,080	944	ZCS7100
1.00 - 1.25	25 - 32	2,670	1,211	ZCS7101
1.25 - 1.50	32 - 38	4,490	2,037	ZCS7102
1.50 - 1.75	38 - 44	4,490	2,037	ZCS7103
1.75 - 2.00	44 - 51	5,000	2,269	ZCS7104
2.00 - 2.50	51 - 63	8,940	4,056	ZCS7105
2.50 - 3.00	63 - 76	8,940	4,056	ZCS7106
3.00 - 3.50	76 - 87	13,420	6,089	ZCS7107
3.50 - 4.00	87 - 102	13,420	6,089	ZCS7108

BUS DROP GRIPS



Lightweight easy to use Bus Drop Grips are perfect for supporting cables in such applications as Data Centers, Control Centers and other wiring to rack applications.

Slingco Part No	Range		Eye length		Approx. Break Load	
	in	mm	in	mm	lb	kg
ZCS6969	0.24 - 0.32	6.1 - 8.1	3.5	88.9	350	158
ZCS6970	0.32 - 0.43	8.1 - 10.9	4	101.6	450	204
ZCS6971	0.43 - 0.56	10.9 - 14.2	4.75	120.6	550	249
ZCS6972	0.56 - 0.73	14.2 - 18.5	6	152.4	1,000	453
ZCS6973	0.73 - 0.85	18.5 - 21.6	6.75	171.4	1,400	635
ZCS6974	0.85 - 1.00	21.6 - 25.4	8	203.2	1,400	635
ZCS6975	1.00 - 1.25	25.4 - 31.7	9.5	241.3	1,500	680

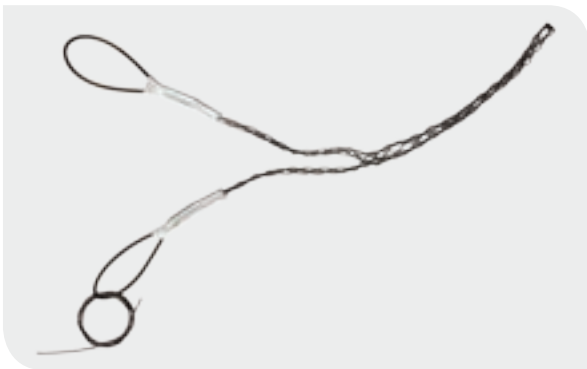
SERVICE DROP GRIPS



Use these grips to support cables in manufacturing, industrial and open space environments. The extended eye allows for easy installation and hanging from conveniently placed connection points. Also great for Control room and wire to rack applications.

Range	Eye length		Approx. Break Load		Slingco Part No.	
	in	mm	in	mm		lb
0.22 - 0.32	5.6 - 8.1	9	229	1,100	499	ZCS7684
0.30 - 0.43	7.6 - 10.9	9	229	1,100	499	ZCS7685
0.41 - 0.56	10.4 - 14.2	9	229	1,100	499	ZCS7686
0.53 - 0.73	13.5 - 18.5	9	229	1,100	499	ZCS7687
0.70 - 0.85	17.8 - 21.6	9	229	1,900	861	ZCS7688
0.82 - 1.00	20.8 - 25.4	9	229	1,900	861	ZCS7689
0.96 - 1.25	24.4 - 31.7	7	178	1,900	861	ZCS7690

NYLON SUPPORT GRIPS FOR FIBRE



These nylon support grips hold common cable sizes from 1" to 2". The nylon material ensures that there is no interference or damage caused to cables being supported. Best used for supporting light weight cables and for positioning purposes. Perfect for supporting Fiber cables.

Range	Eye length		Approx. Break Load		Slingco Part No.		
	in	mm	in	mm	lb	kg	OFFSET EYE
0.40 - 0.47	10.2 - 12	6	152.4	200	91	ZCS7789	ZCS7790
0.45 - 0.63	7.6 - 10.9	7	177.8	200	91	ZCS8191	ZCS8197
0.84 - 0.89	10.4 - 14.2	8	203	300	136	ZCS8192	ZCS8198
1.08 - 1.20	27.4 - 30.5	13	330	300	136	ZCS8193	ZCS8199
1.54 - 1.67	39 - 42.4	8	203	550	249	ZCS8194	ZCS8200
1.98 - 2.04	50.3 - 51.8	12	305	550	249	ZCS8195	ZCS8201
2.35 - 2.36	59.6 - 60	14	356	650	295	ZCS8196	ZCS8202

DELUXE CORD GRIPS

Deluxe Cord Grips provide strain relief and bend support for cables running into machinery and connection boxes. Select the deluxe grip that fits the NPT size being connected to. Available with Straight Male, 90 degree Male, 45 degree Male and Straight Female connections. The wire mesh grip is sized to provide bend support and pull out resistance for the cable range listed.



Range		Straight Male	90° Male	45° Male	Straight Female
in	mm	Slingco Part No.	Slingco Part No.	Slingco Part No.	Slingco Part No.
3/8" NPT					
0.19 - 0.25	4.8 - 6.4	ZCS7713	ZCS7717		
0.25 - 0.31	6.4 - 7.9	ZCS7714	ZCS7718		
0.31 - 0.38	7.9 - 9.7	ZCS7715	ZCS7719		
0.38 - 0.50	9.7 - 12.7	ZCS7716	ZCS7720		
1/2" NPT					
0.19 - 0.25	4.8 - 6.4	ZCS7721	ZCS7727	ZCS7731	ZCS7735
0.25 - 0.38	6.4 - 9.6	ZCS7722	ZCS7728	ZCS7732	ZCS7736
0.38 - 0.50	9.7 - 12.7	ZCS7723	ZCS7729	ZCS7733	ZCS7737
0.50 - 0.63	12.7 - 16.0	ZCS7724	ZCS7730	ZCS7734	ZCS7738
0.63 - 0.75	16.0 - 19.1	ZCS7725			
0.75 - 0.88	19.1 - 22.4	ZCS7726			
3/4" NPT					
0.25 - 0.38	6.4 - 9.7	ZCS7739	ZCS7744	ZCS7748	ZCS7752
0.38 - 0.50	9.7 - 12.7	ZCS7740	ZCS7745	ZCS7749	ZCS7753
0.50 - 0.63	12.7 - 16.0	ZCS7741	ZCS7746	ZCS7750	ZCS7754
0.63 - 0.75	16.0 - 19.1	ZCS7742	ZCS7747	ZCS7751	ZCS7755
0.75 - 0.88	19.1 - 22.4	ZCS7743			
1" NPT					
0.44 - 0.56	11.2 - 14	ZCS7887	ZCS7894	ZCS7899	ZCS7904
0.56 - 0.69	14 - 17.5	ZCS7888	ZCS7895	ZCS7900	ZCS7905
0.63 - 0.75	16 - 19.1	ZCS7889	ZCS7896	ZCS7901	ZCS7906
0.75 - 0.88	19.1 - 22.4	ZCS7890	ZCS7897	ZCS7902	ZCS7907
0.88 - 1.00	22.4 - 25.4	ZCS7891	ZCS7898	ZCS7903	ZCS7908
1.00 - 1.13	25.4 - 28.7	ZCS7892			
1.13 - 1.25	28.7 - 31.8	ZCS7893			
1.25" NPT					
0.75 - 0.88	19.1 - 22.4	ZCS7909	ZCS7914		
0.88 - 1.00	22.4 - 25.4	ZCS7910	ZCS7915		
1.00 - 1.13	25.4 - 28.7	ZCS7911	ZCS7916		
1.13 - 1.25	28.7 - 31.8	ZCS7912	ZCS7917		
1.25 - 1.38	31.8 - 35.1	ZCS7913	ZCS7918		
1.5" NPT					
0.75 - 0.88	19.1 - 22.4	ZCS7919	ZCS7929		
0.88 - 1.00	22.4 - 25.4	ZCS7920	ZCS7930		
1.00 - 1.13	25.4 - 28.7	ZCS7921	ZCS7931		
1.13 - 1.25	28.7 - 31.8	ZCS7922	ZCS7932		
1.25 - 1.38	31.8 - 35.1	ZCS7923	ZCS7933		
1.31 - 1.44	33.3 - 36.6	ZCS7924			
1.44 - 1.56	36.6 - 39.6	ZCS7925			
1.56 - 1.69	39.6 - 43.0	ZCS7926			
1.69 - 1.81	43.0 - 46.0	ZCS7927			
1.75 - 1.88	44.5 - 47.8	ZCS7928			
2" NPT					
1.25 - 1.38	31.8 - 35.1	ZCS7934	ZCS7945		
1.31 - 1.44	33.3 - 36.6	ZCS7935	ZCS7946		
1.44 - 1.56	36.6 - 39.6	ZCS7936	ZCS7947		
1.56 - 1.69	39.6 - 43.0	ZCS7937	ZCS7948		
1.69 - 1.81	43.0 - 46.0	ZCS7938	ZCS7949		
1.75 - 1.88	44.5 - 47.8	ZCS7939	ZCS7950		
1.81 - 1.94	45.9 - 49.3	ZCS7940			
1.94 - 2.06	49.3 - 52.3	ZCS7941			
2.06 - 2.19	52.3 - 55.5	ZCS7942			
2.19 - 2.31	55.5 - 58.7	ZCS7943			
2.31 - 2.44	58.7 - 31.9	ZCS7944			

DELUXE CORD GRIPS (CONTINUED)



Range in	Range mm	Straight Male	90° Male	45° Male	Straight Female
		Slingco Part No.	Slingco Part No.	Slingco Part No.	Slingco Part No.
2.5" NPT					
1.69 - 1.81	43.0 - 46.0	ZCS7951			
1.81 - 1.94	45.9 - 49.3	ZCS7952			
1.94 - 2.06	49.3 - 52.3	ZCS7953			
2.06 - 2.19	52.3 - 55.5	ZCS7954			
2.19 - 2.31	55.5 - 58.7	ZCS7955			
2.31 - 2.44	58.7 - 31.9	ZCS7956			
3.0" NPT					
1.69 - 1.81	43.0 - 46.0	ZCS7957			
1.81 - 1.94	45.9 - 49.3	ZCS7958			
1.94 - 2.06	49.3 - 52.3	ZCS7959			
2.06 - 2.19	52.3 - 55.5	ZCS7960			
2.19 - 2.31	55.5 - 58.7	ZCS7961			
2.31 - 2.44	58.7 - 31.9	ZCS7962			
2.44 - 2.63	62.0 - 66.5	ZCS7963			
2.63 - 2.81	66.5 - 71.4	ZCS7964			
2.81 - 3.00	71.4 - 76.2	ZCS7965			
3.00 - 3.25	76.2 - 82.6	ZCS7966			

DUST-TIGHT CORD GRIPS



Dust-Tight Cord Grips provide strain relief and bend support for cables running into machinery and connection boxes. Select the deluxe grip that fits the NPT size being connected to. Available with Straight Male, 90 degree Male, 45 degree Male and Straight Female connections. The wire mesh grip is sized to provide bend support and pull out resistance for the cable range listed.

Range in	Range mm	NPT	Insulated	Non-insulated
		Size	Slingco Part No.	Slingco Part No.
0.22 - 0.32	5.6 - 8.1	1/2"	ZCS7674	ZCS7756
0.30 - 0.43	7.6 - 10.9	1/2"	ZCS7675	ZCS7757
0.40 - 0.54	10.1 - 13.7	1/2"	ZCS7676	ZCS7758
0.52 - 0.73	13.2 - 18.5	3/4"	ZCS7677	ZCS7759
0.70 - 0.97	17.8 - 24.6	1"	ZCS7678	ZCS7760
0.94 - 1.25	23.8 - 31.8	1.25"	ZCS7679	ZCS7761
1.20 - 1.50	30.5 - 38.1	1.5"	ZCS7680	
1.40 - 1.75	38.1 - 44.5	2"	ZCS7681	
1.62 - 2.00	41.1 - 50.8	2.5"	ZCS7682	
2.00 - 2.45	50.8 - 62.2	2.5"	ZCS7683	

CAN'T FIND THE SPECIFICATION YOU NEED?

Call or email for full ranges plus custom manufacture options

01706 855558

sales@slingco.com

CONDUIT RISER CABLE GRIP - STAINLESS STEEL



A single weave grip, with a support ring, designed for the support of electrical cabling in standard rigid conduit.

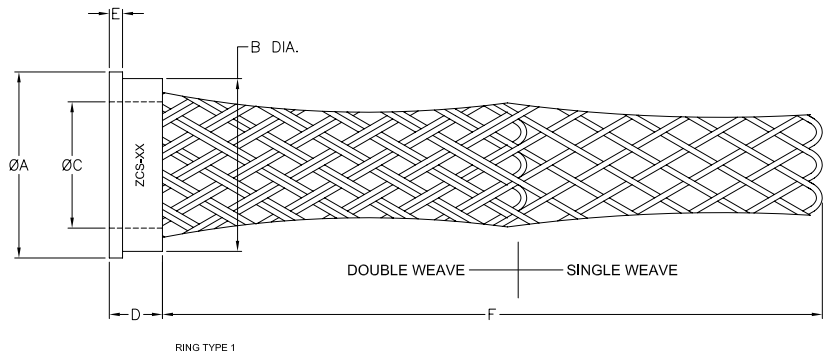
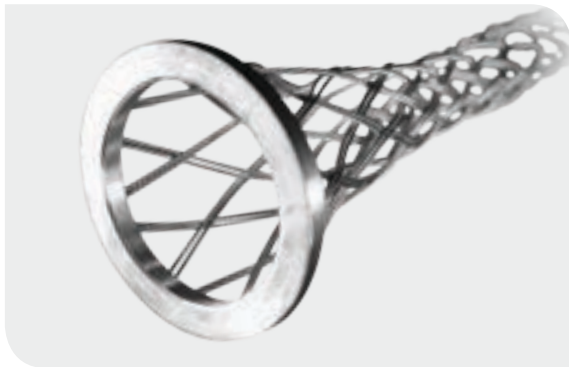


Slingco comparison reference numbers and Approximate breaking strengths (lbs)

Conduit size inches	Cable sizes diameter inches																	
	0.50-0.63	0.63-0.75	0.75-1.00	1.00-1.25	1.25-1.50	1.50-1.75	1.75-2.00	2.0-2.5	2.0-3.0	2.5-3.0	3.5-4.0	3.0-3.5	3.5-4.5	3.5-4.0	4.0-4.5	4.5-5.0	4.5-5.0	
	Length inches																	
0.75	ZCS2690 530																	
1	ZCS2691 490	ZCS2694 790																
1.25	ZCS2692 450	ZCS2695 740	ZCS2698 1,030															
1.5		ZCS2696 690	ZCS2699 970	ZCS2701 1,610														
2	ZCS2693 370	ZCS2697 640	ZCS2700 920	ZCS2702 1,520	ZCS2704 1,610													
2.5					ZCS2705 1,510	ZCS2707 1,610	ZCS2708 2,150											
3				ZCS2703 1,340	ZCS2706 1,400	ZCS2709 1,490	ZCS2710 1,990	ZCS2711 3,260										
3.5								ZCS2714 2,970		ZCS2716 3,260								
4							ZCS2712 1,670	ZCS2713 2,680		ZCS2715 2,890		ZCS2717 4,080						
5									ZCS5645* 2,150	ZCS2719 2,150	ZCS5646* 3,130	ZCS2721 2,860		ZCS2723 3,130				
6												ZCS2722 2,240	ZCS5647 2,240	ZCS2724 2,240	ZCS4755 2,240	ZCS3259 4,995	ZCS4284 4,995	

STAINLESS STEEL CONNECTOR/BOX GRIP

Dual Weave – these grips are designed with a ring to support electric cabling from termination point to reduce strain on the connections.
304 stainless steel.



Cable dia min inches (mm)	Cable dia max inches (mm)	Ø A inches (mm)	B inches (mm)	Ø C inches (mm)	D inches (mm)	E inches (mm)	F inches (mm)	Approx. breaking strength lb (kg)	Slingco Part No.
0.2 (5.1)	0.25 (6.4)	1.25 (31.8)	1.12 (28.4)	0.31 (7.9)	0.281 (7.1)	0.125 (3.2)	3 (76)	500 (225)	ZCS2208
0.31 (7.9)	0.375 (9.5)	1.25 (31.8)	1.12 (28.4)	0.437 (11.1)	0.281 (7.1)	0.125 (3.2)	4 (102)	750 (340)	ZCS2209
0.41 (10.4)	0.5 (12.7)	1.25 (31.8)	1.12 (28.4)	0.562 (14.3)	0.281 (7.1)	0.125 (3.2)	5 (127)	750 (340)	ZCS2210
0.5 (12.7)	0.625 (15.9)	1.25 (31.8)	1.12 (28.4)	0.687 (17.4)	0.281 (7.1)	0.125 (3.2)	6 (152)	1,200 (540)	ZCS2211
0.61 (15.5)	0.75 (19.1)	1.25 (31.8)	1.12 (28.4)	0.812 (20.6)	0.281 (7.1)	0.125 (3.2)	7 (178)	1,200 (540)	ZCS2212
0.71 (18.0)	0.875 (22.2)	1.25 (31.8)	1.12 (28.4)	0.937 (23.8)	0.281 (7.1)	0.125 (3.2)	7½ (178)	1,000 (450)	ZCS2213
0.77 (19.6)	0.937 (23.8)	1.25 (31.8)	1.12 (28.4)	0.948 (24.1)	0.219 (5.6)	-	8 (203)	800 (360)	ZCS2214
0.31 (7.9)	0.375 (9.5)	1.75 (44.5)	1.62 (41.1)	0.437 (11.1)	0.281 (7.1)	0.125 (3.2)	4 (102)	500 (225)	ZCS2215
0.41 (10.4)	0.5 (12.7)	1.75 (44.5)	1.62 (41.1)	0.562 (14.3)	0.281 (7.1)	0.125 (3.2)	5 (127)	750 (340)	ZCS2216
0.5 (12.7)	0.625 (15.9)	1.75 (44.5)	1.62 (41.1)	0.687 (17.4)	0.281 (7.1)	0.125 (3.2)	6 (152)	1,000 (450)	ZCS2217
0.61 (15.5)	0.75 (19.1)	1.75 (44.5)	1.62 (41.1)	0.812 (20.6)	0.281 (7.1)	0.125 (3.2)	7 (178)	1,000 (450)	ZCS2218
0.71 (18.0)	0.875 (22.2)	1.75 (44.5)	1.62 (41.1)	0.937 (23.8)	0.281 (7.1)	0.125 (3.2)	7½ (190)	1,000 (450)	ZCS2219
0.82 (20.8)	1 (25.4)	1.75 (44.5)	1.62 (41.1)	1.062 (27.0)	0.281 (7.1)	0.125 (3.2)	8½ (215)	1,000 (450)	ZCS2220
0.915 (23.2)	1.125 (28.6)	1.75 (44.5)	1.62 (41.1)	1.187 (30.1)	0.281 (7.1)	0.125 (3.2)	9 (229)	1,500 (680)	ZCS2221
1.02(25.9)	1.25 (31.8)	1.75 (44.5)	1.62 (41.1)	1.312 (33.3)	0.281 (7.1)	0.125 (3.2)	10 (254)	1,000 (450)	ZCS2222
1.18 (30.0)	1.437 (36.5)	1.75 (44.5)	1.62 (41.1)	1.448 (36.8)	0.219 (5.6)	-	10½ (265)	500 (225)	ZCS2223
0.5 (12.7)	0.625 (15.9)	2.25 (57.2)	2.12 (53.8)	0.687 (17.4)	0.281 (7.1)	0.125 (3.2)	6 (152)	1,000 (450)	ZCS2224
0.71 (18.0)	0.875 (22.2)	2.25 (57.2)	2.12 (53.8)	0.937 (23.8)	0.281 (7.1)	0.125 (3.2)	7½ (178)	1,000 (450)	ZCS2225
0.915 (23.2)	1.125 (28.6)	2.25 (57.2)	2.12 (53.8)	1.187 (30.1)	0.281 (7.1)	0.125 (3.2)	9 (229)	1,500 (680)	ZCS2226
1.02 (25.9)	1.25 (31.8)	2.25 (57.2)	2.12 (53.8)	1.312 (33.3)	0.281 (7.1)	0.125 (3.2)	10 (254)	1,800 (815)	ZCS2227
1.22 (31.0)	1.5 (38.1)	2.25 (57.2)	2.12 (53.8)	1.562 (39.7)	0.281 (7.1)	0.125 (3.2)	11 (279)	1,800 (815)	ZCS2228
1.43 (36.3)	1.75 (44.5)	2.25 (57.2)	2.12 (53.8)	1.812 (46.0)	0.281 (7.1)	0.125 (3.2)	13 (330)	700 (315)	ZCS2229
1.18 (30.0)	1.937 (49.2)	2.25 (57.2)	2.12 (53.8)	1.948 (49.5)	0.219 (5.6)	-	14½ (365)	350 (155)	ZCS2230
0.82 (20.8)	1 (25.4)	2.75 (69.9)	2.62 (66.5)	1.062 (27.0)	0.281 (7.1)	0.125 (3.2)	8½ (215)	1,000 (450)	ZCS2231
1.02 (25.9)	1.25 (31.8)	2.75 (69.9)	2.62 (66.5)	1.312 (33.3)	0.281 (7.1)	0.125 (3.2)	10 (254)	1,500 (680)	ZCS2232
1.22 (31.0)	1.5 (38.1)	2.75 (69.9)	2.62 (66.5)	1.562 (39.7)	0.281 (7.1)	0.125 (3.2)	11 (279)	1,500 (680)	ZCS2233
1.43 (36.3)	1.75 (44.5)	2.75 (69.9)	2.62 (66.5)	1.812 (46.0)	0.281 (7.1)	0.125 (3.2)	13 (330)	1,800 (815)	ZCS2234
1.64 (41.7)	2 (50.8)	2.75 (69.9)	2.62 (66.5)	2.062 (52.4)	0.281 (7.1)	0.125 (3.2)	15 (381)	1,800 (815)	ZCS2235
1.84 (46.7)	2.25 (57.2)	2.75 (69.9)	2.62 (66.5)	2.312 (58.7)	0.281 (7.1)	0.125 (3.2)	16 (406)	1,500 (680)	ZCS2236
2.062 (52.4)	2.469 (62.7)	2.75 (69.9)	2.62 (66.5)	2.489 (63.2)	0.219 (5.6)	-	17½ (444)	1,500 (680)	ZCS2237
1.375 (34.9)	1.75 (44.5)	3.25 (82.6)	3.12 (79.2)	1.812 (46.0)	0.281 (7.1)	0.125 (3.2)	13 (330)	2,000 (905)	ZCS2238
1.75 (44.5)	2 (50.8)	3.25 (82.6)	3.12 (79.2)	2.062 (52.4)	0.281 (7.1)	0.125 (3.2)	15 (381)	2,000 (905)	ZCS2239
1.84 (46.7)	2.25 (57.2)	3.25 (82.6)	3.12 (79.2)	2.312 (58.7)	0.281 (7.1)	0.125 (3.2)	16 (406)	2,000 (905)	ZCS2240
2.125 (54.0)	2.5 (63.5)	3.25 (82.6)	3.12 (79.2)	2.562 (65.1)	0.281 (7.1)	0.125 (3.2)	17½ (444)	2,000 (905)	ZCS2241
2.5 (63.5)	2.875 (73.0)	3.25 (82.6)	3.12 (79.2)	2.918 (74.1)	0.219 (5.6)	-	19 (483)	2,000 (905)	ZCS2242

HEAVY DUTY HOSE RESTRAINT GRIPS / WHIPSOCKS



Safety restraining system designed to prevent whipping in the event of a pressurised hose becoming detached from its fitting.

	Range		Lattice Length		Lattice Weave	Approx. Break Load		Slingco Part No.
	in	mm	in	mm		lb	kg	
DOUBLE THIMBLE EYE - GALVANISED STEEL								
Thimble eye	1.0 - 1.5	25 - 38	26	660	Double	11,000	4,911	ZCS5363
Thimble eye	1.5 - 2.5	38 - 63	40	1,016	Double	20,000	8,928	ZCS5364
Thimble eye	2.5 - 3.5	63 - 89	42	1,067	Double	22,000	9,821	ZCS5365
Thimble eye	3.5 - 4.5	89 - 114	44	1,118	Double	27,000	12,053	ZCS5366
Thimble eye	4.5 - 5.5	114 - 140	48	1,219	Double	31,000	13,839	ZCS5367
Thimble eye	5.5 - 7.0	140 - 180	60	1,524	Double	50,000	22,685	ZCS6012
Thimble eye	7.0 - 9.25	180 - 240	78	2,000	Triple	66,000	30,000	ZCS5529
DOUBLE THIMBLE EYE - STAINLESS STEEL								
Thimble eye	1.0 - 1.5	25 - 38	26	660	Double	7,700	3,437	ZCS5650
Thimble eye	1.5 - 2.5	38 - 63	40	1,016	Double	14,000	6,250	ZCS5651
Thimble eye	2.5 - 3.5	63 - 89	42	1,067	Double	15,400	6,874	ZCS5652
Thimble eye	3.5 - 4.5	89 - 114	44	1,118	Double	18,900	8,437	ZCS5653
Thimble eye	4.5 - 5.5	114 - 140	48	1,219	Double	21,700	9,687	ZCS5654
Thimble eye	5.5 - 7.0	140 - 180	60	1,524	Double	35,000	15,880	ZCS6000
DOUBLE EYE MULTIWEAVE - MAX STRENGTH - STAINLESS STEEL								
Thimble eye	1.14 - 1.57	29 - 40	50	1,270	Double	35,000	15,625	ZCS3995
Flex eye	2.75 - 3.44	70 - 87	58	1,460	Multiple	49,000	22,230	ZCS3295
Flex eye	3.00 - 3.50	76 - 89	58	1,460	Multiple	39,200	17,785	ZCS3254
Flex eye	3.50 - 4.75	89 - 120	58	1,460	Multiple	50,000	22,320	ZCS6004
Flex eye	4.75 - 5.10	120 - 130	78	1,981	Multiple	106,000	48,095	ZCS3414

SPECIALITY HOSE RESTRAINT GRIPS / WHIPSOCKS

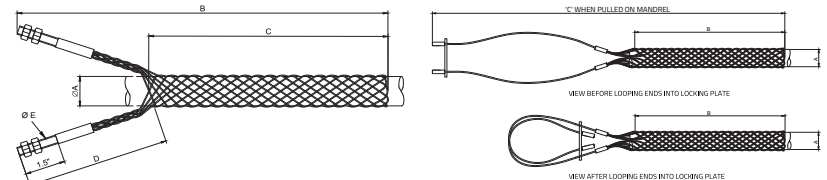


Y Type Threaded Bolt Hose Grip - Stainless Steel

Size range inches (mm)	Ø A mean inches (mm)	Ø B inches (mm)	C inches (mm)	D inches (mm)	Ø E inches (mm)	Approx. Break Load lb (kg)	Slingco Part No.
0.25 - 0.5 (6 - 13)	0.37 (9.5)	41.0 (1,041)	29.0 (737)	12.0 (305)	5/16 BSW (18 TPI)	2,600 (1,161)	ZCS5422
0.5 - 0.75 (13 - 19)	0.62 (16)	39.0 (991)	27.0 (686)	12.0 (305)	5/16 BSW (18 TPI)	3,500 (1,562)	ZCS5423
1.0 - 1.5 (25 - 38)	1.25 (32)	43.0 (1,092)	31.0 (787)	12.0 (305)	1/2 BSW (12 TPI)	12,000 (5,357)	ZCS5424

U Type Universal Eye Hose Grip - Stainless Steel

Size range inches (mm)	Ø A mean inches (mm)	Ø B inches (mm)	C inches (mm)	Approx. Break Load lb (kg)	Slingco Part No.
0.25 - 0.5 (6 - 13)	0.37 (9.5)	29.0 (737)	29.0 (737)	2,600 (1,161)	ZCS5431
0.5 - 0.75 (13 - 19)	0.62 (16)	27.0 (686)	27.0 (686)	3,500 (1,562)	ZCS5432
1.0 - 1.5 (25 - 38)	1.25 (32)	31.0 (787)	31.0 (787)	12,000 (5,357)	ZCS5433



HOSE WHIP RESTRAINT



The strong steel cable prevents hose-whip accidents in the event of hose or coupling failure.

Easily fitted spring loaded loops grip the hose firmly.

Diameter		Length		Suitable for hose diameter		Break load		Slingco Part No.
mm	inches	mm	inches	mm	inches	kg	lb	
3	0.12	533	21	12 - 32	½" - 1¼"	540 kg	1190	ZWR0553
6	0.24	914	35	38 - 76	1½" - 3"	2160 kg	4762	ZWR0555



CAN'T FIND THE SPECIFICATION YOU NEED?
 Call or email for full ranges plus custom manufacture options

01706 855558
 sales@slingco.com

HARDWARE & ACCESSORIES

We have a range of hardware and accessories used in cable pulling, overhead line stringing, oil and gas, and general cable handling and protection.

- Swivels
- Connectors
- Guide Rollers
- Transmission Stringing Blocks
- Tools and Equipment
- Well Boring Protection

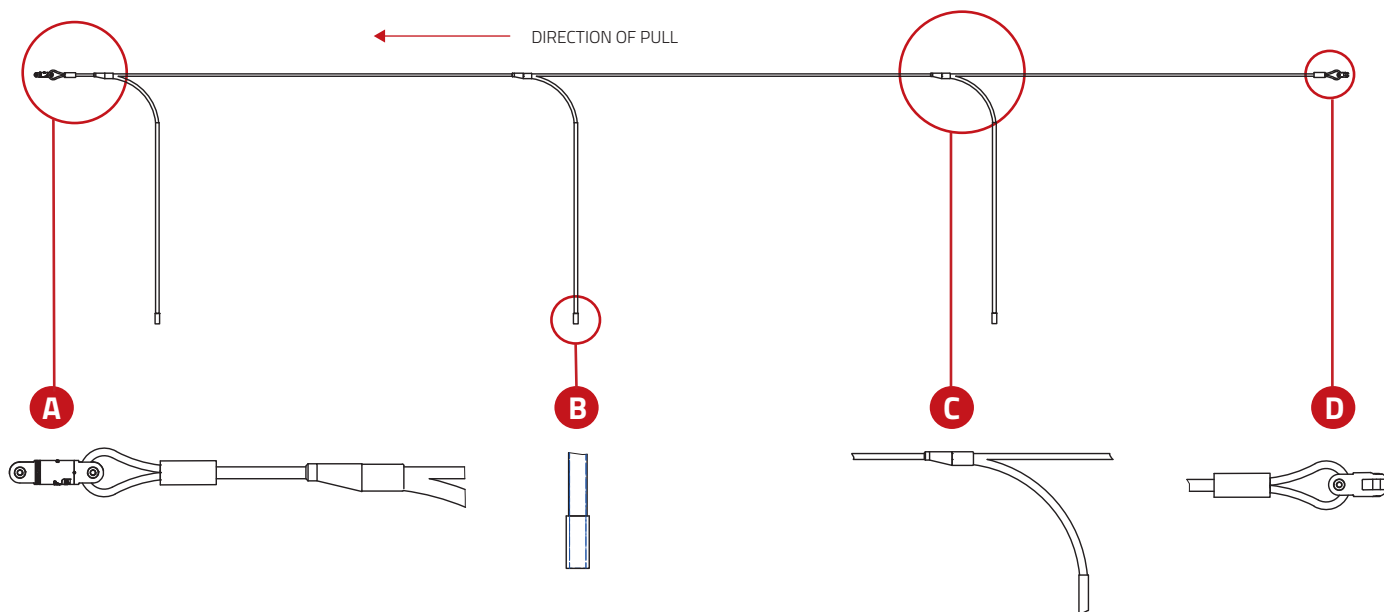
ANTI ROTATIONAL DEVICE



The device prevents the cable from twisting as it travels over pulling blocks. Left uncontrolled, the optical cable's delicate glass fibres could be permanently damaged during installation.

- Stops cables from twisting as they pass over pulling blocks
- For use with fibre optic and OPGW cable
- Prevents irreparable damage to delicate fibre optics caused by cable twists during installation
- The ARD has weighted attachments that hang down while stringing, keeping the ARD vertical to stop cable rotation
- ARD attachments collapse in line, enabling them to travel easily over pulling blocks

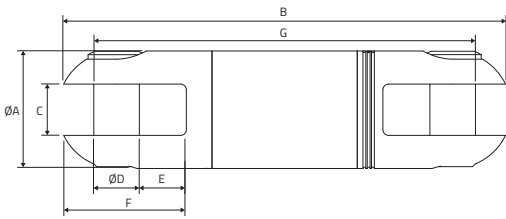
Specification	
Slingco Part No.	ZAD3799
Overall Length	8839mm (29') approx.
Working load (@3:1 Safety Factor)	2268 kg (5,000 lbs)
Length of Attachments	2438mm (8') Approx.
Weight of Attachment	14 lbs each Approx.



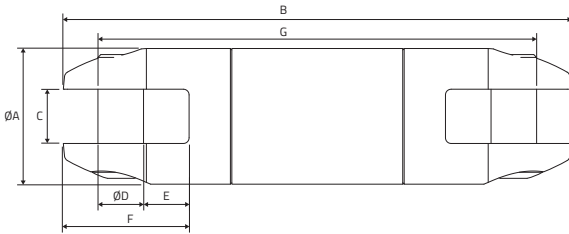
LINE PULLING SWIVELS

Swivels designed for use in stringing high tension wires for electrical transmission and distribution.

LINE PULLING SWIVEL – STANDARD ENDS



LINE PULLING SWIVEL – BULL NOSE



Swivels are important in pulling when the lines develop torsion during the installation. This torsion must be released. Use of a swivel will release torque and prevent it from reaching dangerous levels, which can cause damage to the cable or grip.

Slingco also offers a 'bull nose' style swivel designed for underground and overhead applications.

All swivels are stringently quality tested and inspected to ensure optimum performance and reliability.

LINE PULLING SWIVEL
STANDARD ENDS



LINE PULLING SWIVEL
BULL NOSE



Safe working load lb (kN)	Ø A in (mm)	B Length in (mm)	C Slot width in (mm)	D Pin Ø in (mm)	Ø E Recess in (mm)	F Clevis depth in (mm)	G Pin-to-Pin in (mm)	Slingco Part No.	
									Underground
LINE PULLING SWIVEL – STANDARD ENDS									
2,250 (10)	1,350 (6)	0.87 (22)	3.37 (85.6)	0.39 (10)	0.31 (8)	0.39 (10)	0.92 (23.4)	2.96 (75.2)	ZSW2091
3,500 (15.5)	2,100 (9.3)	0.98 (25)	3.98 (101.1)	0.43 (11)	0.39 (10)	0.43 (11)	1.08 (27.5)	3.44 (87.5)	ZSW2092
5,000 (22)	3,000 (13.2)	1.26 (32)	4.96 (126)	0.55 (14)	0.39 (10)	0.55 (14)	1.30 (33.1)	4.23 (107.5)	ZSW2093
7,000 (31.1)	4,200 (18.7)	1.38 (35)	5.22 (132.7)	0.55 (14)	0.49 (12.5)	0.54 (13.8)	1.41 (35.7)	4.47 (113.5)	ZSW2094
10,000 (44.5)	6,000 (26.7)	1.62 (41.25)	6.11 (155.1)	0.71 (18)	0.63 (16)	0.65 (16.5)	1.70 (43.1)	5.28 (134)	ZSW2096
15,000 (66)	9,000 (39.6)	2.09 (53)	7.34 (186.4)	0.79 (20)	0.71 (18)	0.83 (21)	2.15 (54.5)	6.13 (155.6)	ZSW2097
LINE PULLING SWIVEL – BULL NOSE									
4,000 (17.8)	2,400 (10.7)	1.26 (32)	4.74 (120.5)	0.61 (15.5)	0.37 (9.5)	0.52 (13.25)	1.18 (30)	4.17 (106)	ZSW2649
8,000 (35.5)	4,800 (21.4)	1.50 (38)	5.38 (136.6)	0.63 (16)	0.43 (11)	0.61 (15.5)	1.38 (35)	4.71 (119.6)	ZSW2929
10,000 (44.5)	6,000 (26.7)	1.87 (47.6)	7.02 (178.3)	0.75 (19.05)	0.63 (16)	0.63 (16)	1.74 (44.1)	6.06 (154)	ZSW6122
16,000 (71.2)	9,600 (42.7)	2.44 (62)	10.15 (257.7)	1.00 (25.4)	0.87 (22)	1.12 (28.5)	2.69 (68.4)	8.74 (222)	ZSW6123
30,000 (134)	18,000 (80)	2.50 (63.5)	11.13 (282.6)	1.00 (25.4)	0.87 (22.2)	1.13 (28.6)	2.75 (69.9)	9.63 (244.5)	ZSW2857

Swivel and Cable Grip match-up

Approx. breaking strength of cable grip lb (kN)	Cable grip colour code	Size range O.D. inches (mm)	Recommended swivel	Safe working load of swivel lb (kN)	Revolving Eye	Flexible Eye MU
LINE PULLING SWIVEL – STANDARD ENDS						
7,000 (31.1)	Dark green	0.25 - 0.50 (6 - 12)	ZSW2092	3,500 (15.6)	ZCS2177	ZCS1710
10,500 (46.7)	Brown	0.50 - 0.75 (12 - 19)	ZSW2093	5,000 (22.2)	ZCS2178	ZCS1711
14,100 (62.7)	Light blue	0.75 - 1.00 (19 - 25)	ZSW2093	5,000 (22.2)	ZCS2179	ZCS1712
25,000 (111.2)	Gold	1.00 - 1.25 (25 - 32)	ZSW2096	10,000 (44.5)	ZCS2180	ZCS1713
31,000 (137.9)	Black	1.25 - 1.50 (32 - 38)	ZSW2096	10,000 (44.5)	ZCS2181	ZCS1714
31,000 (137.9)	Red	1.50 - 1.75 (38 - 44)	ZSW2096	10,000 (44.5)	ZCS2182	ZCS1715
43,000-49,000 (191.3 - 218)	Dark blue	1.75 - 2.25 (44 - 57)	ZSW2097	15,000 (66.7)	ZSC2183*	ZCS1716 ¹
LINE PULLING SWIVEL – BULL NOSE						
7,000 (31.1)	Dark green	0.25 - 0.50 (6 - 12)	ZSW2649	4,000 (17.8)	ZCS2177	ZCS1710
10,500 (46.7)	Brown	0.50 - 0.75 (12 - 19)	ZSW2929	5,000 (22.2)	ZCS2178	ZCS1711
14,100 (62.7)	Light blue	0.75 - 1.00 (19 - 25)	ZSW2929	5,000 (22.2)	ZCS2179	ZCS1712
25,000 (111.2)	Gold	1.00 - 1.25 (25 - 32)	ZSW6122	10000 (44.5)	ZCS2180	ZCS1713
31,000 (137.9)	Black	1.25 - 1.50 (32 - 38)	ZSW6122	10000 (44.5)	ZCS2181	ZCS1714
31,000 (137.9)	Red	1.50 - 1.75 (38 - 44)	ZSW6122	10000 (44.5)	ZCS2182	ZCS1715
43,000*-49,000 ¹ (191.3 - 218)	Dark blue	1.75 - 2.25 (44 - 57)	ZSW6123	16,000 (71.2)	ZSC2183*	ZCS1716 ¹

The above is intended as a rough guide. The recommended working load should be determined by the competent person(s) using the cable grip and/or Slingco swivel.

Swivel or Connector Model	ZSW2091	ZSW2092	ZSW2093	ZSW2094	ZSW2096 ZSW6122	ZSW2097	ZSW2929	ZSW2649	ZSW2857	ZSW6123	ZSW6554	ZSW6555	ZSW6556	ZSW6557 ZSW6558 ZSW6559 ZSW6560
Replacement Pin (HEX)	SWI2858	SWI2810	SWI2340	SWI2341	SWI2343	SWI2344	SWI2801	SWI2648	SWI2748	SWI5184	SWI2859	SWI2339	SWI5309	SWI5310

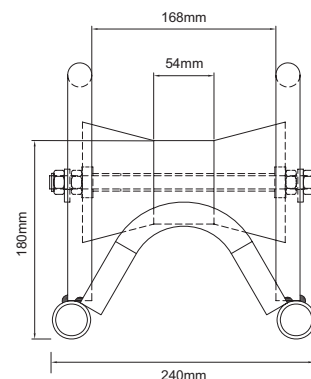
SAFETY NOTE: All Slingco Line Pulling Swivels are designed for straight line pulling and will not support side loads as would be encountered traveling over a bull wheel. Swivel selection should be based on pulling line diameter, grip size, opening dimensions, pin sizes, working load, and sheave groove diameter. Swivels are not designed for general lifting

BRIDGE TYPE CABLE ROLLER



They are of steel construction with zinc plating for general purpose cable installation work in trenches. They are suitable for power, telecoms and utility installations, and can bridge existing cables in trenches or ducts.

Base footprint in (mm)	Height to top of roller in (mm)	Handle height in (mm)	Slingco Part No.
12 x 9 1/2 (305 x 240)	7 1/8 (180)	10 (255)	ZGP2395



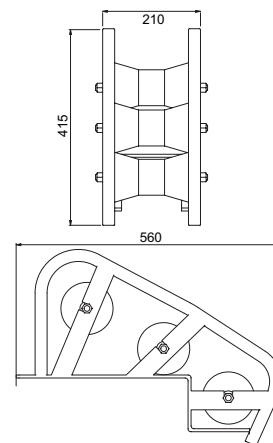
EDGE MOUNT MANHOLE LEAD-IN CABLE ROLLER (HEAVY DUTY)



The manhole cable roller leads the cable from the drum into the jointbox/manhole or the winch bond out of the manhole.

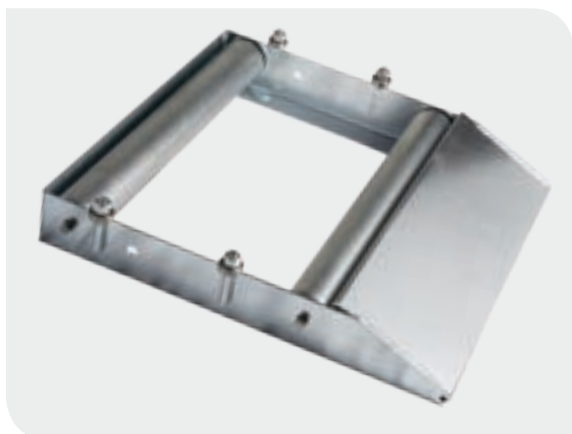
- Heavy duty tubular steel construction
- Suitable for cables up to 130mm
- 3 x 110mm diameter steel roller* fitted with sealed precision roller bearings
- Zinc plated
- Weight: 10 Kg

* The Diablo Rollers can be substituted with a heavy gauge 89mm tubular Steel Roller fitted with oil impregnated maintenance free bushes for use with the heavier cables.



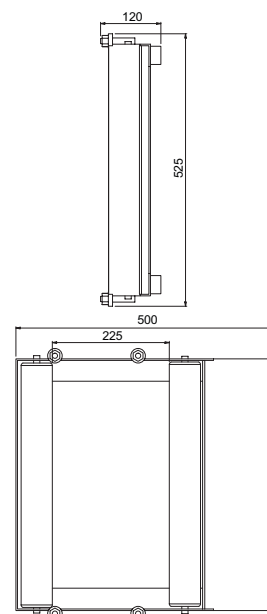
Base Footprint (mm)	Height (mm)	Slingco Part No.
560 x 210	415	ZGP8209

CABLE DRUM ROTATOR



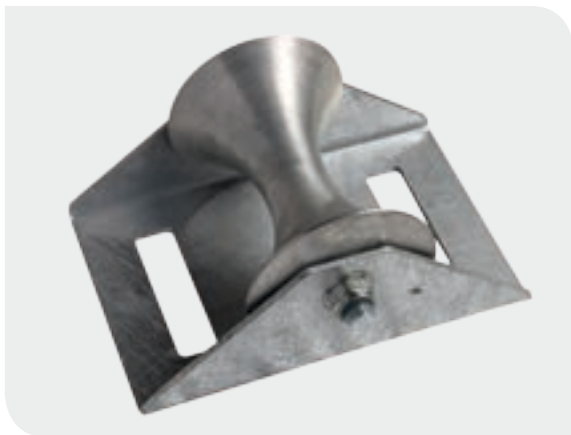
This is a compact light weight Cable Drum Rotator. Drums are simply rolled up the ramp on to the adjustable rollers to allow it to spin freely.

- Pressed steel construction
- Ideal for where space is limited.
- 60 mm diameter zinc plated rollers
- Sealed roller bearings fitted
- Spring loaded shafts for easy replacement/ adjustment
- Capacity 200 Kg
- Max / min drum size 800 / 300 mm
- Drum Width 450 mm
- Zinc plated finish
- Weight: 10.5 Kg



Base Footprint (mm)	Height (mm)	Slingco Part No.
500 x 525	120	ZGP8267

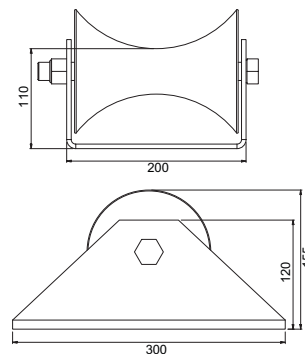
HEAVY DUTY 214MM STRAIGHT LINE CABLE ROLLER



The diablo is machined with a 107mm radius giving a maximum capacity of 214mm diameter.

- Heavy duty folded frame straight line roller
- Aluminium diablo roller with 78mm radius
- Sealed roller bearing and 20mm shaft
- Galvanised finish
- Weight : 7Kg

Base Footprint (mm)	Height (mm)	Slingco Part No.
300 x 200	155	ZGP8268



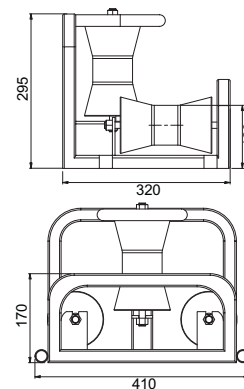
HEAVY DUTY TRIPLE CORNER CABLE ROLLER



This is a heavy duty corner cable roller for use in most cable laying applications. They can be used singularly or linked together using link pins to form a full bend. All products in the bend roller range have the same link points to facilitate various bend/roller configurations.

- Heavy duty corner roller made from tubular sections
- 3 x 110mm diameter large waisted steel rollers*
- Sealed roller bearing fitted
- Zinc plated finish
- Universal link pin mount positions
- Weight 8.5Kg

Base Footprint (mm)	Height (mm)	Slingco Part No.
410 x 320	295	ZGP8269



* The diablo rollers can be substituted with a heavy gauge 89mm tubular steel roller fitted with oil impregnated maintenance free bushes.

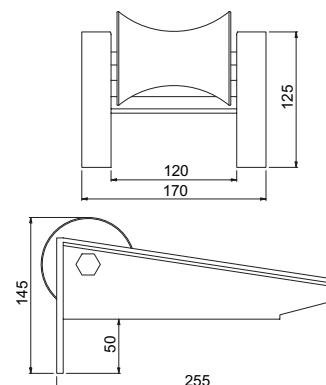
EDGE MOUNT MANHOLE LEAD-IN CABLE ROLLER (LIGHT DUTY)



The manhole cable roller leads the cable from the drum into the jointbox/manhole or the winch bond out of the manhole. The roller has 2 hooks for location on the edge of the manhole.

- Heavy steel section construction
- 76mm diameter aluminium roller*
- Fitted with oil-impregnated maintenance-free bushes
- Sealed precision roller bearings
- Zinc plated or powder coated finish
- Weight 3Kg

Base Footprint (mm)	Height (mm)	Slingco Part No.
255 x 170	145	ZGP8210



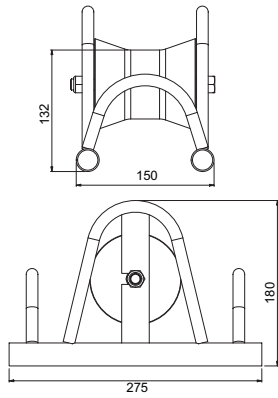
*The aluminium roller can be substituted with a solid steel roller when using wire winch bond thus preventing damage.

COMPACT 90MM BRIDGE TYPE CABLE ROLLER



This is a compact cable roller for use in narrow trenches and/or in confined areas

- Heavy duty tubular frame straight line bridge roller
- Fitted with hoops to fit over previously laid cables
- 76mm diameter aluminium roller
- Oil impregnated maintenance free bushes fitted
- Bright zinc plated finish
- 90mm diameter cable capacity
- Weight 2.5Kg



* The specification can be adjusted, if required, to suit your individual requirements.

Base Footprint (mm)	Height (mm)	Slingco Part No.
275 x 150	180	ZGP8270

FEED TUBE



Due to the tight construction of the cable grip, we recommend using the Slingco Feed Tube when inserting cable or rope into the A Type Cable grips. For ease of use, our feed tubes are colour-coded to match the A Type Cable grip.

Tube to fit rope diameter in (mm)	Feed tube length in (mm)	Matches Slingco Cable Grip part no.	Cable grip colour	Slingco Part No.
0.25 - 0.65 (6 - 16)	28 (713)	ZCS1799	Black	FTU1890
0.50 - 0.90 (13 - 23)	40 (1,018)	ZCS1800	Dark green	FTU1891
0.75 - 1.10 (19 - 28)	52 (1,324)	ZCS1801	Red	FTU1892
1.00 - 1.50 (25 - 38)	67 (1,706)	ZCS1802	Dark blue	FTU1893
1.25 - 1.70 (32 - 43)	83 (2,113)	ZCS1803	Yellow	FTU1894
1.50 - 2.10 (38 - 53)	96 (2,444)	ZCS1804	Aluminium	FTU1895

C CONNECTORS



Use to connect rope, swivels and other objects.

No.	Model	A (mm)	B (mm)	C (mm)	D (mm)	E (mm)	d (Pin dia) (mm)	Working load (KN)	Weight (kg)
1	SLU-1	36	68	18	14	29	10	10	0.2
2	SLU-3	37	76	20	17	31	12	30K	0.23
3	SLU-5	50	96	23	19	42	18	50	0.6
4	SLU-8	56	110	28	22	50	20	80	0.8
5	SLU-10	59	126	30	26	54	22	100	1.2
6	SLU-13	61	134	32	27	56	24	130	1.3
7	SLU-25	80	178	44	35	72	30	250	3.0

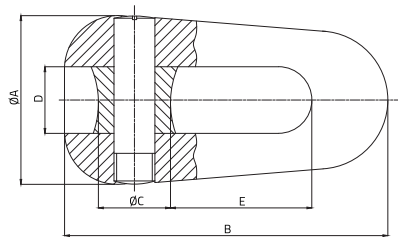
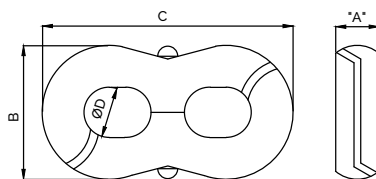


FIGURE OF 8 'SWING LINK' CONNECTOR

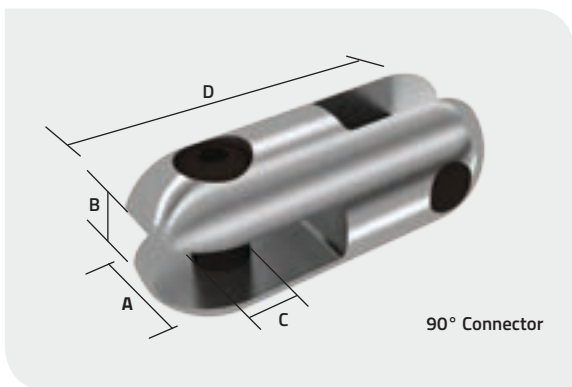


A		B		C		Ø D		Approx. Break Load		Slingco Part No.
in	mm	in	mm	in	mm	in	mm	lb	kg	
0.50	13	1.62	41	3.25	83	0.62	16	10000	4537	SWI4281
0.75	19	2.43	62	5.00	127	0.93	24	18000	8167	SWI4282



90° SWIVEL CONNECTOR

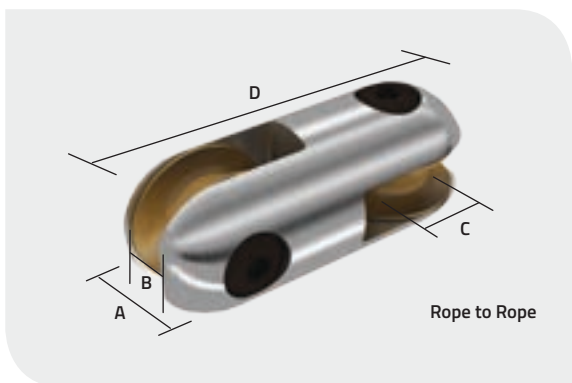
Use to connect rope, swivels and other objects. With high strength pins and smooth rollers you can safely connect rope without fear of fraying or damage. Use the convenient 90° connectors to link and other non-rope items. Connectors have high strength hex pins. The Rope to Rope connector has two rollers to protect rope from becoming frayed.



Safe working load lb (kg)	A in (mm)	B in (mm)	C in (mm)	D in (mm)	Weight lb (kg)	Slingco Part No.
2,500 (1,134)	7/8 (22)	3/8 (9.6)	5/16 (8)	2 1/8 (54.0)	0.17 (0.08)	ZSW6554
5,000 (2,240)	1 1/4 (31.8)	17/32 (13.5)	13/32 (10)	2 7/8 (73.0)	0.46 (0.21)	ZSW6555
9,000 (4,030)	1 1/2 (38.1)	19/32 (15)	1/2 (12.5)	3 3/8 (86)	0.73 (0.33)	ZSW6556
15,000 (6,800)	2 (50.8)	25/32 (20)	11/16 (18.0)	4 9/16 (116)	2.00 (0.91)	ZSW6557

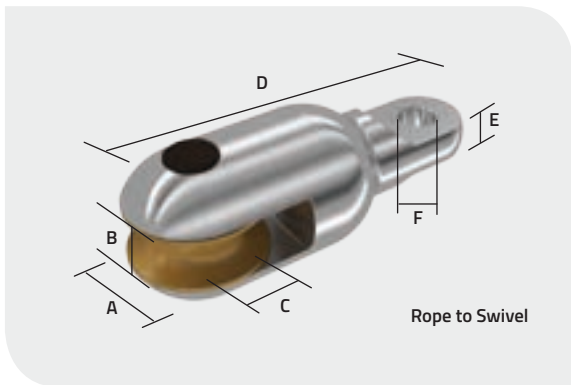
ROPE TO ROPE CONNECTOR

The Rope to Rope connector has two rollers to protect rope from becoming frayed.



Safe working load lb (kg)	Max rope dia. in (mm)	A in (mm)	B in (mm)	C in (mm)	D in (mm)	Weight lb (kg)	Slingco Part No.
15,000 (6,800)	7/8 (22.2)	2 (50.8)	15/16 (24)	11/16 (18)	5 1/2 (140)	2.70 (1.23)	ZSW6558

ROPE TO SWIVEL CONNECTOR



Safe working load lb (kg)	Max rope dia. in (mm)	A in (mm)	B in (mm)	C in (mm)	D in (mm)	E in (mm)	F in (mm)	Weight lb (kg)	Slingco Part No.
7,000 (3,170)	$7/8$ (22.2)	2 (50.8)	$15/16$ (24)	$11/16$ (18)	$5 5/16$ (135)	$1/2$ (12.7)	$17/32$ (13.5)	2.70 (1.23)	ZSW6559
15,000 (6,800)	$7/8$ (22.2)	2 (50.8)	$15/16$ (24)	$11/16$ (18)	$5 3/8$ (137)	$21/32$ (16.7)	$3/4$ (18)	2.00 (0.91)	ZSW6560

SWIVEL TESTER



Evaluates new swivels and checks the integrity of existing swivels during their operational life.

Unlike many tools used in electrical transmission work, it's difficult to see the wear and tear that occurs inside a line swivel. The ability to perform testing on a batch of swivels that have been used previously allows you to proof load them prior to use.

- Simulates working load operational conditions
- Tests swivels up to 30,000 lb load
- Accurate to +/- 1%
- Simple to operate

TOOLS, BUCKLES AND BANDS FOR QUICK AND EFFICIENT BANDING OF CABLE GRIPS, HOSES AND MORE

Slingco Banding Tools deliver a fast and easy way to install banding clamps. Designed for fast and efficient installation of steel bands for cable grips, hoses and many other applications, their drop-forged construction and comfortable design makes them quick and easy to use and guarantee a long and useful tool life.

We offer three different tool options, with bands and buckles available for each (order separately). See opposite for the bands and buckles suited to each tool type.

In addition to our range of steel bands available from stock we can also manufacture custom sizes if required. Please call with your requirements.

Slingco Fast Banding Tool



WITH PRE-LOOPED BANDS FOR QUICKLY SECURING GRIPS AND OTHER SIMPLE BANDING APPLICATIONS

Our Fast Banding Tool uses pre-looped punch-style bands for quick and secure banding of cable grips, hoses and other cylindrical items.

Slingco Light Duty Banding Tool



FOR UTILITY POLE AND OTHER LIGHT DUTY POLE BANDING APPLICATIONS

Featuring a built-in cutter with PVC coated handle for comfort, and a sliding block assembly with spring loaded lever. Operates on band widths 3/8" to 3/4" and thicknesses up to 0.030".

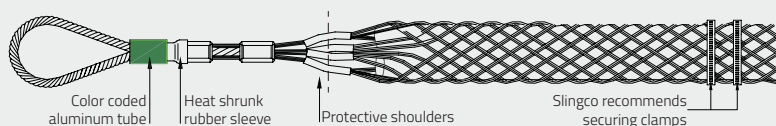
Slingco Heavy Duty Banding Tool



FOR UTILITY POLE AND OTHER HEAVY DUTY BANDING APPLICATIONS

Featuring a built-in cutter and a sliding block assembly. Operates on band widths 3/4", 1", and 1-1/4" and thickness of 0.044".

Note: Slingco recommends double banding the ends of cable grips.



FAST BANDING: PRE-LOOPED BANDS FOR QUICKLY



CPC2875

LIGHT DUTY BANDING: UTILITY POLE AND OTHER



CPC8748

HEAVY DUTY BANDING: UTILITY POLE AND OTHER



CPC8780

SECURING GRIPS AND OTHER SIMPLE BANDING APPLICATIONS

Use pre-looped punch style bands to quickly and securely band cable grips, hoses or other cylindrical items.

The bands are pre-looped through the buckle to slide over the end of the item being banded. Just tighten the band using the Slingco Punch Banding Tool then, when the band is tight, just punch the head of the tool and snip off the extra banding. Simple!

The sizes opposite refer to the inner loop diameter of the band. Select the size that will comfortably fit over the item being banded.

Open End Band – non pre-looped 201 SS 5/8" wide band with attached buckle. Includes punch style buckle. Use as single loop for larger diameter or double looped for smaller diameters and added strength. Maximum diameter for single or double loops is listed.

Banding tool					
Description					Slingco Part No.
Standard punch-style banding tool.					CPC2875
Bands Pre-Looped					
Width	Thickness	Loop diameter	Pack quantity	Slingco Part No.	
3/8"	0.025"	13/16"	100/box	CPC2876	
5/8"	0.030"	1"	100/box	CPC2880	
5/8"	0.030"	1.5"	100/box	CPC2879	
5/8"	0.030"	2.0"	100/box	CPC2878	
5/8"	0.030"	2.5"	50/box	CPC2877	
5/8"	0.030"	3.0"	50/box	CPC8532	
Open End Band – 201 SS					
Width	Thickness	Length	Loop diameter	Pack quantity	Slingco Part No.
5/8"	0.030"	24"	6" Single Wrap 3" Double Wrap	50/box	CPC08596

LIGHT DUTY POLE BANDING APPLICATIONS

Use Slingco 3/4" wide 201 Stainless Steel, or the 1/2" wide 316 Stainless Steel, banding system to secure cables and other items to Utility poles, Light stands or other structures. The Light Duty Banding Tool allows you to easily tighten and secure any length band loop.

Slingco offers rolls of 3/4" and 1/2" wide banding material in 100 foot lengths. These 100 foot band rolls come in two convenient packages – standard stack-and-store cardboard packaging, or an easy to carry red plastic tote for the 3/4" and a blue plastic tote for the 1/2".

The buckles used to secure these bands are made of 201 Stainless Steel and designed for 3/4" width bands, and 316 Stainless Steel designed for 1/2" bands.



Banding tool					
Description					Slingco Part No.
Operates on band widths 3/8" to 3/4" and thickness up to 0.030". Tool has a built in cutter with PVC coated handle for comfort and sliding block assembly with spring loaded lever.					CPC8748
Bands					
Width	Thickness	Avg break strength	Pack quantity	Weight	Slingco Part No.
3/4"	0.030"	2250 lb	100' roll - Cardboard Box	7.7 lb	CPC8743
3/4"	0.030"	2250 lb	100' roll - Red Plastic Tote	7.7 lb	CPC8744
1/2"	0.030"	1200 lb	100' roll - Cardboard Box	5.1 lb	CPC08325
1/2"	0.030"	1200 lb	100' roll - Blue Plastic Tote	5.9 lb	CPC08326
Buckles					
Width	Pack quantity	Weight		Slingco Part No.	
3/4"	100/Box	3.7 lb		CPC8746	
1/2"	100/Box	2.5 lb		CPC08327	

HEAVY DUTY BANDING APPLICATIONS

Use the Slingco 1-1/4" 201 Stainless Steel Banding system to secure cables and other items to structures and poles where extra strength hold is required. The Heavy Duty Banding Tool allows you to easily tighten and secure any length band loop.

Perfect for use with concrete utility poles. The extra width of this band provides stronger tensile strength than the 3/4" band as well as a wider holding surface. Useful in many application environments including Utility, Marine and manufacturing where securely attaching cables, hoses or tubes onto a cylindrical object is needed. 100 ft. band roll comes in easy to stack and store cardboard box.

Giant buckles are made of 201 Stainless Steel and designed for use with 1-1/4" wide bands.

Banding tool					
Description					Slingco Part No.
Operates on bands widths 3/4", 1", and 1-1/4" and thickness of 0.044". Featuring a built-in cutter and a sliding block assembly.					CPC8780
Bands					
Width	Thickness	Average break strength	Pack quantity	Weight	Slingco Part No.
1-1/4"	0.044"	5500 lb	100' roll in CARDBOARD BOX PACKAGING	17.2 lb	CPC8745
Buckles					
Width	Pack quantity	Weight		Slingco Part No.	
1-1/4"	25/Box	3.2 lb		CPC8747	

TRANSMISSION LINE STRINGING

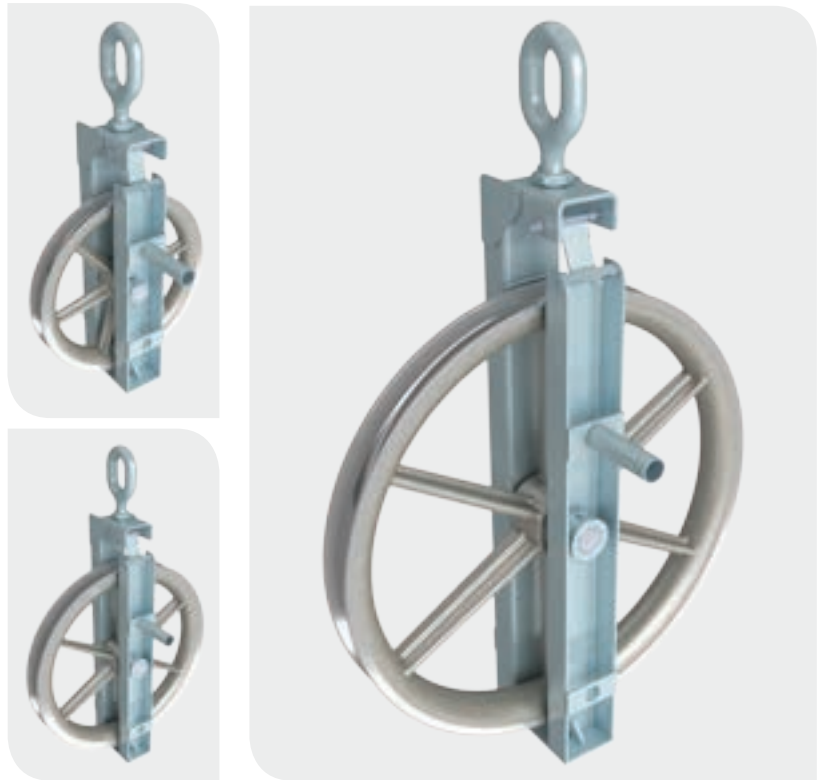
These single sheave running blocks are designed predominantly for use on the 132kV network for DNOs, enabling smooth handling of both new construction and refurbishment projects.

On the external layer of a standard specification Aluminium Conductor Steel Reinforced (ACSR) cable, the strands are relatively soft and easily marked, especially if the sheave is in poor condition and of the incorrect profile. Slingco-designed running blocks - built to IEEE524 - incorporate a number of key features to protect the conductor and avoid unnecessary damage.

The specification stated in IEEE524 is to observe a minimum sheave diameter equal to 20D hence we recommend sheaves of 12", 18" and 21" diameters.

In addition to our range of standard diameters, bespoke configurations can be produced via our Design Engineering Department, with fully customised blocks designed from scratch to suit your application.

- Structural aluminium frame to reduce overall weight
- Customised gate opening feature for ease of installation
- Symmetrical design ensures balance through the pull
- Sheaves are evenly spaced through the block
- Independently type tested to ensure compliance with Slingco specifications



Conductor name	Nominal aluminium area (mm)	Material code	Stranding	Strand diameter (mm)	Actual area (mm ²)	Conductor diameter (mm)	Non-breaking load
Horse	70	ACSR	12/7	2.79	116.2	13.95	61.2
Keziah	160	AACSR	30/7	2/79	226.2	19.53	102
Lynx	175	ACSR	30/7	2.79	226.2	19.53	79.8
Upas	300	AAAC	37	3.53	362.2	24.71	101.5



UNFORTUNATELY, THIS PRODUCT IS NOT AVAILABLE IN THE USA

ADJUSTABLE ARRAY ROLLER

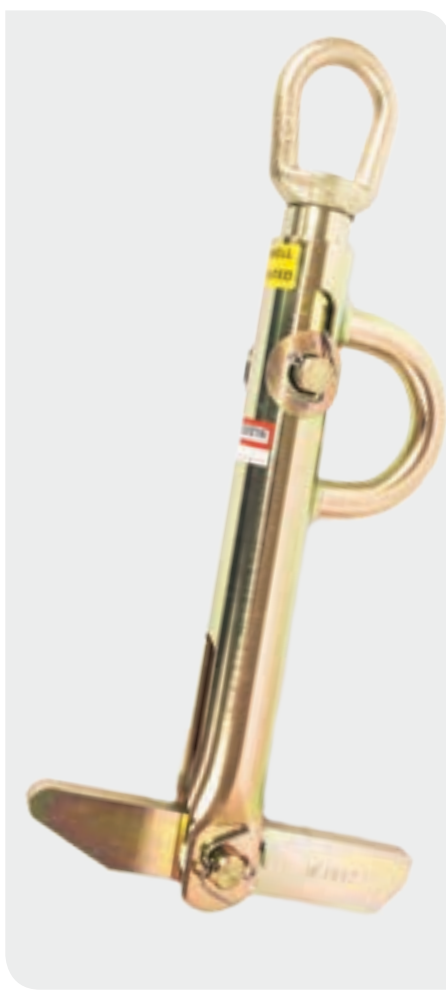
This new device eliminates the need for a lifting system and replaces standard running blocks with a new type of proven roller featuring an adjustment that allows the conductor to be raised and lowered directly into the suspension shoe. Consequently, operation times and the need for large amounts of equipment are substantially reduced.

The use of the Array Roller has already been proved on the National Grid network, delivering substantial efficiencies when removing or replacing suspension fittings on standard suspension arrangements.

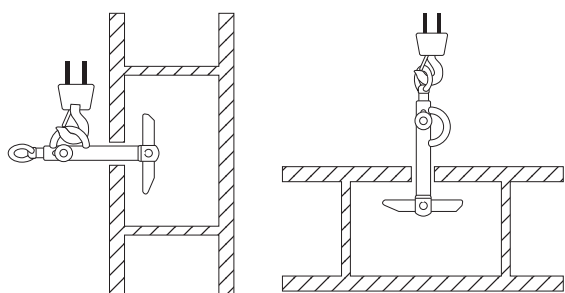
Use of this technological development on the National Grid trial site demonstrated an 80% time saving, hence roll-out across the network could see huge benefits in reducing overall project timescales.



REEL LIFTER



The Slingco Reel Lifter is a high capacity, compact unit that allows users in the utility construction industry to safely load, transport, and dispense wire and/or cable on-site. It is also used in many industrial applications to make moving and relocating reels in a warehouse easy. Now a task that normally used a team of three or four people can be done with just one, allowing the crew to operate more efficiently!

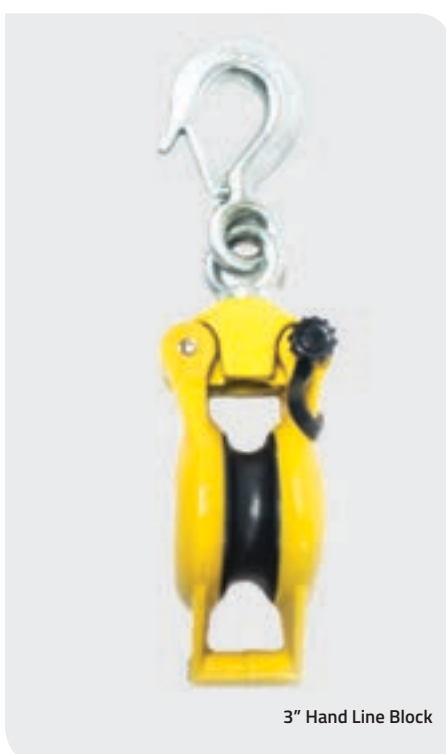


- Makes handling large cable reels quick and easy, on-site or in warehouses.
- Rugged construction to lift and upend reels
 - Easy rotation to unroll cable
 - Counterweighted bottom arm for easy insertion in reel
 - Side lifting eye allows reels to be put into a rolling or non-rolling position
 - Repair kits available

Reel Lifter					
Arbor Hole Min. (ins)	Arbor Hole Max. (ins)	Capacity (lb)	Weight (lb)	Length (ins)	Slingco Part No.
2	4	3,000	6.50	16 1/8	ZLD08729
3	6	5,000	14.50	21 1/8	ZLD09186
3	6	12,000	32.5	30 1/2	ZLD10807

Reel Lifter Repair Kit	
3,000lb factory repair kit with extension springs, cable assemblies and all necessary pins for replacement of the interior cable system. Suitable for ZLD08729.	ZLD09708
5,000lb factory repair kit with extension springs, cable assemblies and all necessary pins for replacement of the interior cable system. Suitable for ZLD09186.	ZLD09707
12,000lb factory repair kit with extension springs, cable assemblies and all necessary pins for replacement of the interior cable system. Suitable for ZLD08729.	ZLD11126

HAND LINE TOOLS

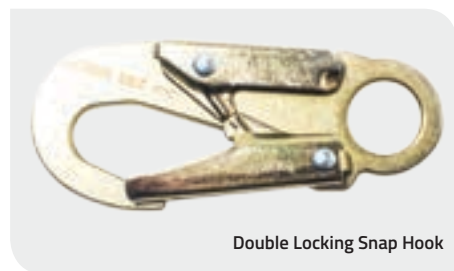


3" Hand Line Block

Slingco's Hand Line Tools feature a 3" nylon fiberglass block, with a safe working load limit of 1,000 lb, and a double locking snap with a safe working load limit of 5,000 lb.

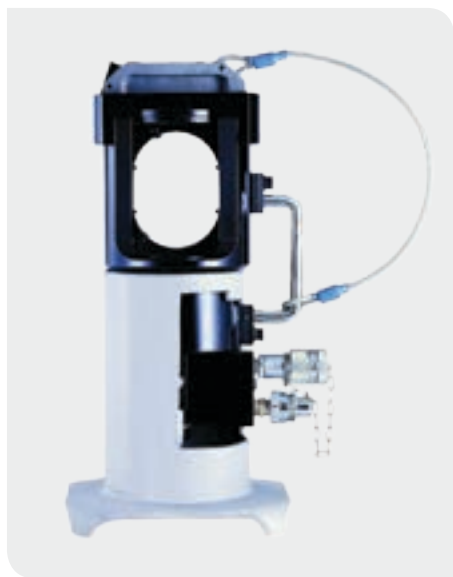
Our 3" Hand Line Block's sheave can accommodate a 5/8" diameter rope, and operates smoothly on the 1/2" diameter axle and swivel bearings. The side opening feature allows quick access to remove the hand line.

Description	Working Load Limit (lb)	Slingco Part No.
3" Hand Line Block	1,000	ZAB8725
Double Locking Snap	5,000	HMI8556



Double Locking Snap Hook

60 TON HYDRAULIC CRIMPING TOOLS



Slingco's Hydraulic Crimping Tools are designed to crimp sleeves and lugs on ACSR and ACAR transmission & distribution cables using dies that meet the standards of the utility industry. Our crimping tools are ideal for use in constructing substations and transmission lines.

The Single-Acting Crimping Tool uses hydraulic pressure to advance the ram into position, and an internal spring to return the ram to the original position. The Double-Acting Crimping Tool advances and returns the ram using hydraulic pressure alone, eliminating the possibility of the ram sticking or becoming jammed.

Our Hydraulic Crimping Tools come in a steel carrying case, and are lightweight and portable. Our crimping tools accept Slingco S60 Dies, or any shell-type dies used with Alcoa or Burndy 60-ton crimping tools.

- Accepts Burndy L and Alcoa 6000 Series dies
- Steel Carrying Case Includes Ground Stand
- Lifting eye for hoist work
- For Crimping ACSR and ACAR transmission and distribution cables

Slingco Part No.	Tool Type	Crimp Force (Tons)	Operating Pressure
TCR7003	Single Action	60	10,000 psi (700 bar)
TCR7018	Double Action	60	10,000 psi (700 bar)

Slingco Ref.	Alcoa Equiv.	Slingco Part No.
S60-10SH	6010SH	TCR7067
S60-12SH	6012SH	TCR7068
S60-14SH	6014SH	TCR7069
S60-16SH	6016SH	TCR7070
S60-18SH	6018SH	TCR7071
S60-20SH	6020SH	TCR7072
S60-24SH	6024SH	TCR7073
S60-27SH	6027SH	TCR7074

Slingco Ref.	Alcoa Equiv.	Slingco Part No.
S60-26SH	6026SH	TCR7075
S60-28SH	6028SH	TCR7076
S60-30SH	6030SH	TCR7077
S60-32SH	6032SH	TCR7078
S60-34SH	6034SH	TCR7079
S60-36SH	6036SH	TCR7080
S60-38SH	6038SH	TCR7081
S60-40SH	6040SH	TCR7082

Slingco Ref.	Alcoa Equiv.	Slingco Part No.
S60-42SH	6042SH	TCR7083
S60-44SH	6044SH	TCR7084
S60-46SH	6046SH	TCR7085
S60-48SH	6048SH	TCR7086
S60-50SH	6050SH	TCR7087
S60-52SH	6052SH	TCR7088
S60-54SH	6054SH	TCR7089
S60-56SH	6056SH	TCR7090

Slingco Ref.	Alcoa Equiv.	Slingco Part No.
S60-11CD	6011CD	TCR7091
S60-12CD	6012CD	TCR7092
S60-13CD	6013CD	TCR7093
S60-14CD	6014CD	TCR7094
S60-15CD	6015CD	TCR7095
S60-16CD	6016CD	TCR7096
S60-17CD	6017CD	TCR7097

MECHANICAL CRIMPING TOOLS



Slingco's Mechanical Crimping Tools have been created to complete the variety of utility distribution service connections that need to be made on the line, pole, and home. Our crimping tools have been designed to provide reliable crimps installing full-tension or non-tension connectors.

Slingco's Mechanical Crimping Tool's 'D3' groove allows 'W' style die inserts for installing taps, splices, and terminal connectors. The 'W' die inserts lock securely and easily into place with the positive lock, spring-loaded die buttons. Slingco also offers a Mechanical Crimping Tool that accepts Kearney type dies.

Our Mechanical Crimping Tools also have ergonomic handles for comfortable use and maximum leverage when making critical connections.

Tool Type	Crimp Force (lb)	Length (in)	Weight (lb)	Slingco Part No.
O&D	9,000	25.75	7	TCR7002
BG&D	9,000	25.75	7	TCR7004
5/8 Nose Die & Kearney Seat (Accepts 'Kearney' type)	9,000	25.75	7	TCR08732

Slingco W-Die Sets (D3 Insert)

Slingco Ref.	Burndy Equiv.	Slingco Part No.
S6-K840	WK840	TCR7020
S6-BG	WBG	TCR7021
S6-O	WO	TCR7022

Slingco Ref.	Burndy Equiv.	Slingco Part No.
S6-247	W247	TCR7023
S6-249	W249	TCR7024

STANDARD CABLE PROTECTORS



The Slingco Cable Protector has been purpose-designed for use on the wide range of cables, lines and umbilicals that have to be conveyed in and out of well-bores. Its innovative, streamlined form minimises the risk of downhole hang-ups to ensure maximum operational productivity. Each protector features an eight-point friction pad gripping system that provides a secure, reliable grip to enable the safe, quick and effective conveying and securing of ESP cables, control lines, umbilicals and encapsulated bundles.

MID-JOINT CABLE PROTECTORS



The Mid-Joint Cable Protector is installed between joints of down-hole tubing strings, and is often used in conjunction with other cable protectors to further secure and protect cables or lines from damage.

BANDED CABLE PROTECTORS



These lightweight, stamped steel protective cable guards offer a compact, low-cost alternative to our standard Cable Protectors. Designed for use in shallow wells with little to no deviation, the protectors are situated across the coupling and attached to the tubing string with steel bands.

CENTRALISING CABLE PROTECTORS



This versatile 'hybrid' product is designed to fulfil the dual role of cable protection and centralisation, ensuring both can be achieved as quickly and efficiently as possible. As with the other cable protectors in our range, the Centralising Cable Protector is available in standard and specialized configurations.

BOW SPRING CENTRALISERS

Specially designed for vertical wells where low principal forces and high restoring forces are required, this one-piece design simplifies installation onto casings. The Bow Spring Centraliser is available in multiple sizes and blade configurations.

Standard Bow Spring Centraliser



High Performance Bow Spring Centraliser



RIGID CENTRALISERS

Designed to ensure concentricity and standoff in deviated and horizontal wells, this one-piece Centraliser minimises differential sticking. As with other Centralisers in our range the Rigid Centraliser is available in multiple sizes and blade configurations.

One Piece Rigid Centraliser



Welded Rigid Centraliser

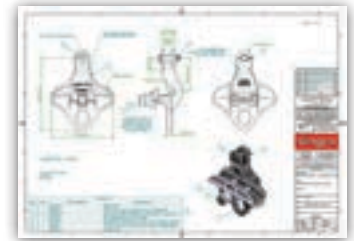




Slingco suspension conductor clamps provide safe and quick installation and removal of the conductor when attached to the insulator. A single fastener fully opens and closes the jaw. The clamps come in a variety of sizes to accommodate conductors from 0.16 to 1.50 inch diameter, and loadings of up to 18,000 lbs. To prevent loss, all moving parts of the clamps are captive.



Depending on size, the clamps are either made from heat treated aluminum alloy 356-T6 or ductile iron 60-45-15 and hot dip galvanized for corrosion resistance.



THE SOLUTION APPROACH

HOW WE ARE DIFFERENT

We work with Utilities and Contractors through distributors to provide a cost-saving approach to Pole Line Hardware.

Instead of simply offering a range that's similar to what's already in use, we offer an equivalent to standards-compliant products, manufactured to the exact specifications you need.

This makes transition to the Slingco brand easy, but also gives standards engineers the opportunity to

work with us on new projects and designs.

Once the Pole Line hardware is approved, we keep the product in stock for immediate shipping whenever needed.

This is a new approach, already successfully introduced into other industries by Slingco, that we're now delighted to bring to the OHL and related markets.

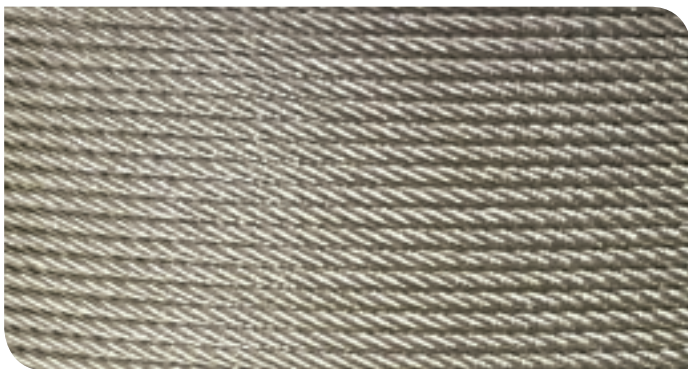
GENERAL ASSEMBLIES

Whatever your industry, whether you're looking for a simple wire rope sling or a complete rigging system, we offer literally thousands of products - off-the-shelf or custom made to order - for fast delivery. We can also supply component parts, such as wire rope, wire grips or ferrules.

All have the same common qualities: exceptional raw materials, cutting edge design and the industry's best people. The result is a product that - whatever the application - you can trust to perform.



GALVANISED WIRE ROPE



Galvanized wire rope supplied with a 7x7 wire strand core and 7x19 wire strand core construction. The 7 x7, although quite flexible and versatile is not as flexible as the 7 x 19, but benefits from slightly better strength characteristics. Supplied in a range of diameters wound on individual drums in 50m or 100m lengths.

Diameter (mm)	50 m	100 m
7 X 7 CONSTRUCTION		
1.0	WRS08981	WRS08982
1.5	WRS08983	WRS08984
2.0	WRS08985	WRS08986
2.5	WRS08987	WRS08988
3.0	WRS08989	WRS08990
4.0	WRS08991	WRS08992
5.0	WRS08993	WRS08994
6.0	WRS08995	WRS08996
7 X 19 CONSTRUCTION		
3.0	WRS08997	WRS08998
4.0	WRS08999	WRS09000
5.0	WRS09001	WRS09002
6.0	WRS09003	WRS09004
8.0	WRS09005	WRS09006
10.0	WRS09007	WRS09008
12.0	WRS09009	WRS09010

STAINLESS STEEL WIRE ROPE



Stainless steel wire rope supplied with a 7x7 wire strand core and 7x19 wire strand core construction. The 7 x7, although quite flexible and versatile is not as flexible as the 7 x 19, but benefits from slightly better strength characteristics. The 1 x19 has a strand construction and has the highest strength of the three stainless steel wires, although it is slightly less flexible than the other two. Supplied in a range of diameters wound on individual drums in 50m or 100m lengths.

Diameter	50 m	100 m
7 X 7 CONSTRUCTION		
1.5	WSS09011	WSS09012
2.0	WSS09013	WSS09014
3.0	WSS09015	WSS09016
4.0	WSS09017	WSS09018
5.0	WSS09019	WSS09020
6.0	WSS09021	WSS09022
1 X 19 CONSTRUCTION		
2.0	WSS09023	WSS09024
3.0	WSS09025	WSS09026
4.0	WSS09027	WSS09028
5.0	WSS09029	WSS09030
6.0	WSS09031	WSS09032
7 X 19 CONSTRUCTION		
2.0	WSS09033	WSS09034
3.0	WSS09035	WSS09036
4.0	WSS09037	WSS09038
5.0	WSS09039	WSS09040
6.0	WSS09041	WSS09042

GALVANISED HEART SHAPED THIMBLE TO BS464/1

Available to suit wire diameters from 6 – 24mm.

Wire dia (mm)	L (mm)	W (mm)	Slingco Part No.
6	27	16	THI2673
8	33	22	THI1996
10	38	25	THI0656
12	44	31	THI00843
16	58	41	THI2080
20	73	50	THI2638
22	82	56	THI08882
24	108	69	THI08883

ELECTRO GALVANISED COMMERCIAL PATTERN THIMBLE

Available to suit wire diameters from 3 – 26mm.

Wire dia (mm)	L (mm)	W (mm)	Slingco Part No.
3-4	21	13	THI0334
5	23	14	THI0335
6	25	16	THI0336
8	31	20m,m	THI0337
10	39	23	THI0338
12	44	28	THI0339
14	53	32	THI08884
16	58	36	THI08885
18	64	40	THI08886
20-22	78	48	THI08887
24-26	99	60	THI08888

STAINLESS STEEL WIRE ROPE THIMBLE

Available to suit wire diameters from 2 – 24mm.

Wire dia (mm)	L (mm)	W (mm)	Slingco Part No.
2	12	7	THS08889
3	17	10	THS08890
4	18	11	THS08891
5	20	13	THS08892
6	26	15	THS3249
8	33	18	THS2775
10	43	23	THS08893
12	48	27	THS08894
16	57	38	THS08895
20	75	45	THS08896
22	84	52	THS08897
24	96	56	THS08898

ELECTRO GALVANIZED WIRE ROPE GRIP DIN 741



Available to suit wire diameters from 3 – 25mm.

Wire dia (mm)	D (mm)	H (mm)	W (mm)	Slingco Part No.
3	M4	10	21	BDG0001
4/5	M5	10	24	BDG0008
6	M5	11	26	BDG0002
8	M6	15	30	BDG0004
10	M8	19	37	BDG0005
12	M10	23	44	BDG0006
16	M12	28	52	BDG0010
19	M12	34	58	BDG0007
22	M14	35	64	BDG0011
25	M14	38	68	BDG0009

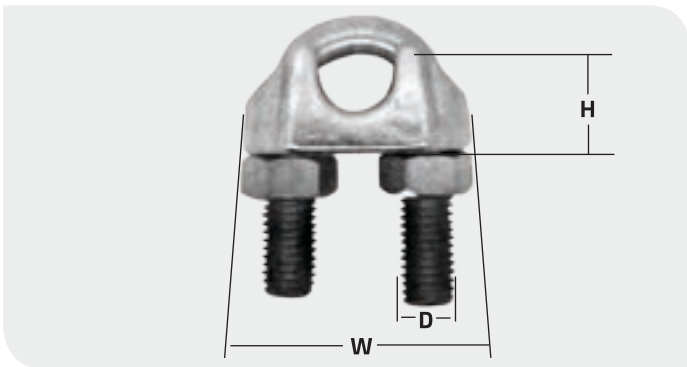
ELECTRO GALVANIZED HEAVY PATTERN WIRE ROPE GRIP DIN 1142



Available to suit wire diameters from 5 – 16mm.

Wire dia (mm)	D (mm)	H (mm)	W (mm)	Slingco Part No.
5	M5	13	25	BDG3093
6	M6	14	30	BDG3689
8	M8	18	39	BDG08899
10	M8	21	40	BDG6911
13	M10	25,	50	BDG08900
16	M14	35	64	BDG08901

STAINLESS STEEL WIRE ROPE GRIP DIN 741

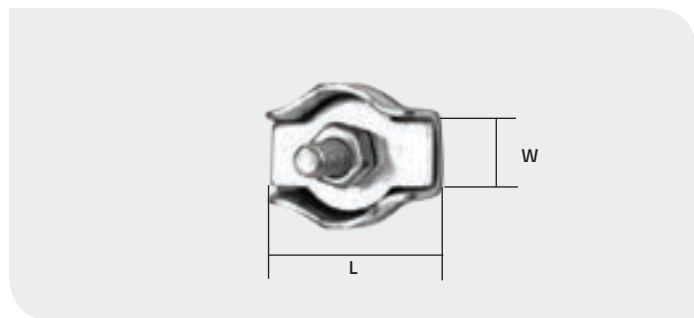


Available to suit wire diameters from 2 – 25mm.

Wire dia (mm)	D (mm)	H (mm)	W (mm)	Slingco Part No.
2	M3	9	16	BDS0623
3	M4	10	21	BDS0526
4	M4	10	21	BDS4778
5	M5	10	23	BDS0525
6	M5	11	26	BDS1934
8	M6	15	15	BDS3210
10	M8	17	17	BDS09131
13	M10	21	21	BDS09132
16	M12	26	26	BDS09133
19	M12	30	30	BDS09134
25	M14	37	37	BDS09135

SIMPLEX WIRE ROPE GRIP

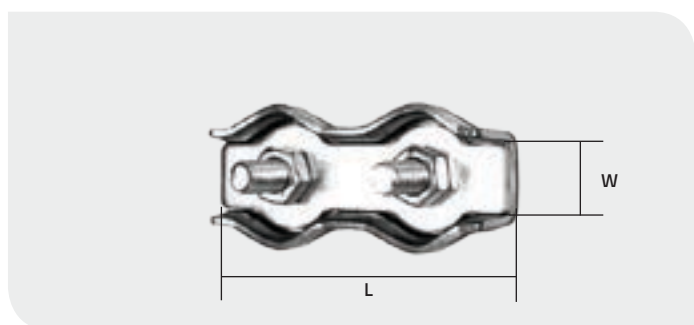
Available to suit wire diameters from 2 – 6mm.



Wire dia (mm)	L (mm)	W (mm)	Slingco Part No.
ZINC PLATED			
2	17.5	7.5	XWC01044
3	17.5	10	XWC01045
4	22	12	XWC01046
5	24	14	XWC01047
6	30	17	XWC01048
STAINLESS STEEL AISI 316			
2	15	12	XWC01049
3	18	14	XWC01050
4	20	18	XWC01051
5	25	20	XWC0148
6	30	24	XWC01052

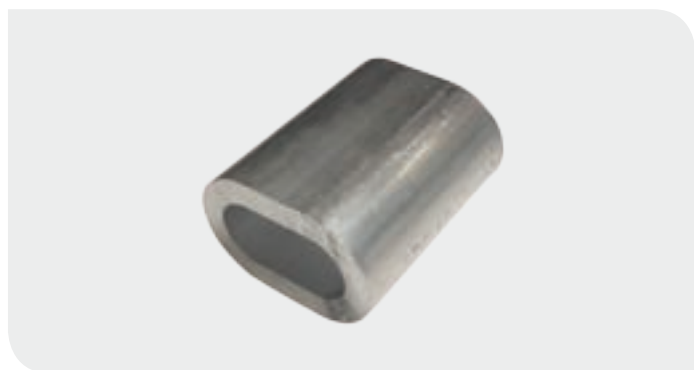
DUPLEX WIRE ROPE GRIP

Available to suit wire diameters from 2 – 6mm.



Wire dia (mm)	L (mm)	W (mm)	Slingco Part No.
ZINC PLATED			
2 mm	38 mm	7.5 mm	XDC01053
3 mm	38 mm	10 mm	XDC01054
4 mm	47 mm	12 mm	XDC0655
5 mm	51 mm	14 mm	XDC01055
6 mm	63 mm	17 mm	XDC0336
STAINLESS STEEL AISI 316			
2 mm	30 mm	12 mm	XWC01056
3 mm	36 mm	14 mm	XWC01057
4 mm	40 mm	18 mm	XWC01058
5 mm	50 mm	20 mm	XWC0404
6 mm	60 mm	24 mm	XWC01059

ALUMINIUM FERRULES TO DIN SPECIFICATION



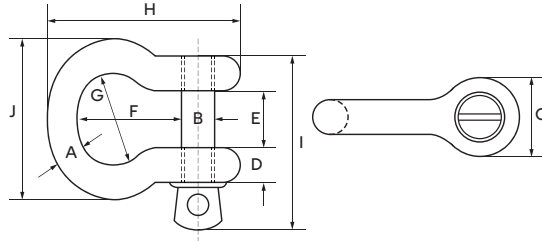
DIN	To suit IWRC	To Suit FC	Slingco Part No.
1.0	1.0 mm		FCA1349
1.5	1.5 mm		FCA0115
2.0	1.5 mm	2.0 mm	FCA0116
2.5	2.0 mm	2.5 mm	FCA0117
3.0	2.5 mm	3.0 mm	FCA0118
3.5	3.0 mm		FCA0130
4.0		4.0 mm	FCA0119
4.5	4.0 mm		FCA0773
5.0	4.5 mm	5.0 mm	FCA0120
6.0	5.0 mm	6.0 mm	FCA0121
6.5	6.0 mm		FCA08871
7.0		7.0 mm	FCA0132
8.0	7.0 mm	8.0 mm	FCA0122
9.0	8.0 mm	9.0 mm	FCA0123
10.0	9.0 mm	10.0 mm	FCA0124
11.0	10.0 mm	11.0 mm	FCA0125
12.0	11.0 mm	12.0 mm	FCA0133

COPPER FERRULES TO DIN SPECIFICATION



DIN	To suit IWRC	Slingco Part No.
1.0	1.0 mm	FCU08872
1.5	1.5 mm	FCU08873
2.0	1.5 mm	FCU08874
2.5	2.0 mm	FCU3122
3.0	2.5 mm	FCU08875
3.5	3.0 mm	FCU0113
4.5	4.0 mm	FCU08876
6.0	5.0 mm	FCU08877
6.5	6.0 mm	FCU08878

GREEN PIN STANDARD BOW SHACKLES G-4161



With screw collar pin.

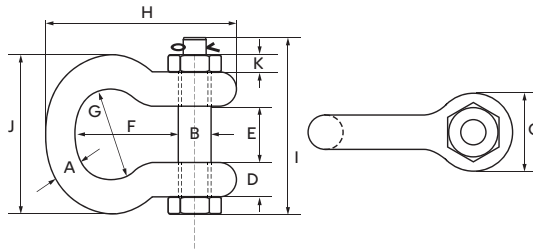
Material: Body and pin high tensile steel. Grade 6, quenched and tempered

Finish: Hot dipped galvanised

Safety factor: MBL equals 6 x WLL

WLL (tons)	Bow dia A (mm)	Pin dia B (mm)	Eye dia C (mm)	Eye width D (mm)	Inside width E (mm)	Inside length F (mm)	Bow width G (mm)	Length H (mm)	Bow length I (mm)	Bow width J (mm)	Slingco Part No.
0.33	5	6	12	5	9.5	22	16	36	29.5	26	SHD08915
0.5	7	8	16.5	7	12	29	20	48.5	38	34	SHD08916
0.75	9	10	20	9	13.5	32	22	56	46.5	40	SHD08917
1	10	11	22.5	10	17	36.5	26	63.5	54	46	SHD08918
1.5	11	13	26.5	11	19	43	29	74	59.5	51	SHD08919
2	13.5	16	34	13	22	51	32	89	73	58	SHD08920
3.25	16	19	40	16	27	64	43	110	89	75	SHD08921
4.75	19	22	46	19	31	76	51	129	103	89	SHD08922
6.5	22	25	52	22	36	83	58	144	119	102	SHD08923
8.5	25	28	59	25	43	95	68	164	137	118	SHD08924
9.5	28	32	66	28	47	108	75	185	153	131	SHD08925
12	32	35	72	32	51	115	83	201	170	147	SHD08926
13.5	35	38	80	35	57	133	92	227	186	162	SHD08927
17	38	42	88	38	60	146	99	249	203	175	SHD08928
25	45	50	103	45	74	178	126	300	243	216	SHD08929
35	50	57	111	50	83	197	138	331	272	238	SHD08930
42.5	57	65	130	57	95	222	160	377	310	274	SHD08931
55	65	70	145	65	105	260	185	433	344	310	SHD08932

GREEN PIN STANDARD BOW SHACKLES G-4163



With safety bolt.

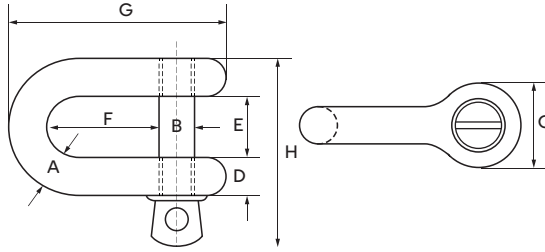
Material: Body and pin high tensile steel. Grade 6, quenched and tempered

Finish: Hot dipped galvanised

Safety Factor: MBL equals 6 x WLL

WLL (tons)	Bow dia A (mm)	Pin dia B (mm)	Eye dia C (mm)	Eye width D (mm)	Inside width E (mm)	Inside length F (mm)	Bow width G (mm)	Length H (mm)	Bow length I (mm)	Bow width J (mm)	Width K (mm)	Slingco Part No.
0.5	7	8	16.5	7	12	29	20	48.5	42	34	4	SHD08933
0.75	9	10	20	9	13.5	32	22	56	50	40	5	SHD08934
1	10	11	22.5	10	17	36.5	26	63.5	60	46	8	SHD08935
1.5	11	13	26.5	11	19	43	29	74	67	51	11	SHD08936
2	13.5	16	34	13	22	51	32	89	82	58	13	SHD08937
3.25	16	19	40	16	27	64	43	110	98	75	17	SHD08938
4.75	19	22	46	19	31	76	51	129	114	89	19	SHD08939
6.5	22	25	52	22	36	83	58	144	130	102	22	SHD08940
8.5	25	28	59	25	43	95	68	164	150	118	25	SHD08941
9.5	28	32	66	28	47	108	75	185	166	131	27	SHD08942
12	32	35	72	32	51	115	83	201	178	147	30	SHD08943
13.5	35	38	80	35	57	133	92	227	197	162	33	SHD08944
17	38	42	88	38	60	146	99	249	202	175	19	SHD08945
25	45	50	103	45	74	178	126	300	249	216	23	SHD08946
35	50	57	111	50	83	197	138	331	269	238	26	SHD08947
42.5	57	65	130	57	95	222	160	377	301	274	29	SHD08948
55	65	70	145	65	105	260	185	433	330	310	32	SHD08949
85	75	83	162	73	127	329	190	527	380	340	39	SHD11266

GREEN PIN STANDARD DEE SHACKLES G-4151



With screw collar pin.

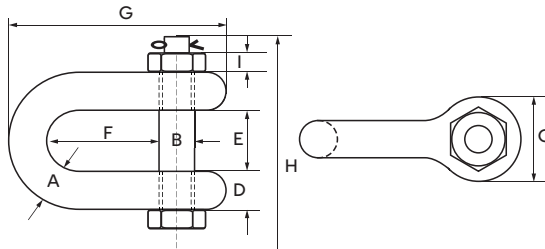
Material: Body and pin high tensile steel. Grade 6, quenched and tempered

Finish: Hot dipped galvanised

Safety Factor: MBL equals 6 x WLL

WLL (tons)	Bow dia A (mm)	Pin dia B (mm)	Eye dia C (mm)	Eye width D (mm)	Inside width E (mm)	Inside length F (mm)	Length G (mm)	Bolt length H (mm)	Slingco Part No.
0.33	5	6	12	5	9.5	19	33	29.5	SHD11267
0.5	7	8	16.5	7	12	22	41.5	38	SHD08951
0.75	9	10	20	9	13.5	26	50	46.5	SHD08952
1	10	11	22.5	10	17	32	59	54	SHD08953
1.5	11	13	26.5	11	19	37	68	59.35	SHD08954
2	13.5	16	34	13	22	43	81	73	SHD08955
3.25	16	19	40	16	27	51	97	89	SHD08956
4.75	19	22	46	19	31	59	112	103	SHD08957
6.5	22	25	52	22	36	73	134	119	SHD08958
8.5	25	28	59	25	43	85	154	137	SHD08959
9.5	28	32	66	28	47	90	167	153	SHD08960
12	32	35	72	32	51	94	180	170	SHD08961
13.5	35	38	80	35	57	115	209	186	SHD08962
17	38	42	88	38	60	127	230	203	SHD08963
25	45	50	103	45	74	149	271	243	SHD08964
35	50	57	111	50	83	171	305	272	SHD08965
42.5	57	65	130	57	95	190	345	310	SHD08966
55	65	70	145	65	105	203	376	344	SHD11268

GREEN PIN STANDARD DEE SHACKLES G-4153



With safety bolt.

Material: Body and pin high tensile steel. Grade 6, quenched and tempered

Finish: Hot dipped galvanised

Safety Factor: MBL equals 6 x WLL

WLL (tons)	Bow dia A (mm)	Pin dia B (mm)	Eye dia C (mm)	Eye width D (mm)	Inside width E (mm)	Inside length F (mm)	Length G (mm)	Bolt length H (mm)	Nut width I (mm)	Slingco Part No.
2	13.5	16	34	13	22	43	81	82	13	SHD11269
3.25	16	19	40	16	27	51	97	98	17	SHD08968
4.75	19	22	46	19	31	59	112	114	19	SHD08969
6.5	22	25	52	22	36	73	134	130	22	SHD08970
8.5	25	28	59	25	43	85	154	150	25	SHD08971
9.5	28	32	66	28	47	90	167	166	27	SHD08972
12	32	35	72	32	51	94	180	178	30	SHD08973
13.5	35	38	80	35	57	115	209	197	33	SHD08974
17	38	42	88	38	60	127	230	202	19	SHD08975
25	45	50	103	45	74	149	271	249	23	SHD08976
35	50	57	111	50	83	171	305	269	26	SHD08977
42.5	57	65	130	57	95	190	345	301	29	SHD08978
55	65	70	145	65	105	203	376	330	32	SHD08979
85	75	83	162	73	127	229	427	380	39	SHD08980

LIFTING LOOPS

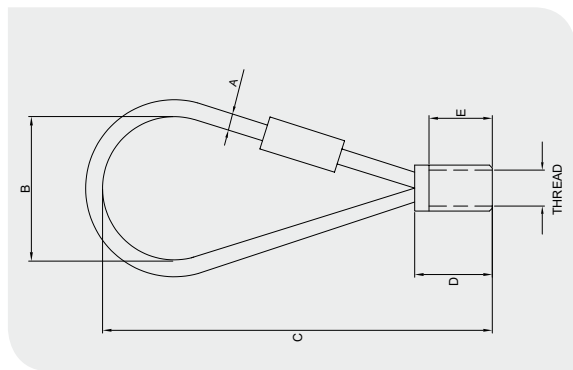
Lifting loops and sockets are interrelated lifting components which are used in the pre-cast concrete structure manufacturing and building industries to aid transportation and placement of structural components conveniently and safely.

Designed for long life, Slingco lifting loops are manufactured from wire rope clinched firmly into an externally threaded (standard ISO/DIN metric or metric round form thread) steel ferrule which mates on application with a permanently inserted steel socket of the same thread form and size.

The recommended safe working load (SWL) is normally based on a 5 to 1 factor of safety of the wire rope minimum break loading, as per BS1290:1983. By arrangement, a 6 to 1 factor of safety can be offered on metric round form (Rd) type loops.

Proof loading to 2 x (SWL) for the application is the normal practice. A test certificate is issued which can be easily referenced by an attached identification tag.

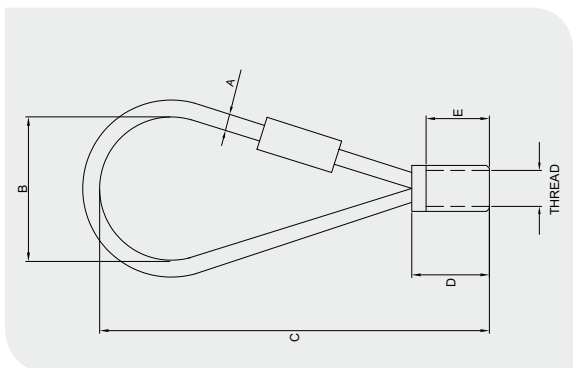
LIFTING LOOP - STANDARD ISO METRIC COARSE THREAD



Safety factor 5/1.

Size (mm)	Pitch (mm)	Safe working load (kN)	Rope dia A (mm)	Loop dia B (mm)	Overall length C (mm)	Ferrule length D (mm)	Thread length E (mm)	Slingco Part No.
M12	1.75	5	6	50	155	27	22	ZLL0777
M16	2.00	12	8	50	155	36	27	ZLL0778
M20	2.50	20	10	70	215	45	35	ZLL0779
M24	3.00	25	11	95	255	54	43	ZLL0780
M30	3.50	40	14	130	303	68	56	ZLL0781
M36	4.00	63	16	150	340	81	68	ZLL0782
M42	4.50	80	20	180	425	95	80	ZLL0783

LIFTING LOOP - METRIC COARSE (ROUND FORM) KNUCKLE THREAD



Safety factor 6/1.

Size (mm)	Pitch (mm)	Safe working load (kN)	Rope dia A (mm)	Loop dia B (mm)	Overall length C (mm)	Ferrule length D (mm)	Thread length E (mm)	Slingco Part No.
M12	1.75	5	6	50	156	27	22	ZLL3363
M16	2.00	12	8	50	156	36	27	ZLL3364
M20	2.50	20	10	70	216	45	35	ZLL3365
M24	3.00	25	12	95	256	54	43	ZLL3366
M30	3.50	40	14	130	302	68	56	ZLL3367
M36	4.00	63	18	150	342	81	68	ZLL3368
M42	4.50	80	20	180	426	95	80	ZLL3369

WEBBING SLINGS





We supply a wide range of web slings that range from 30mm to 300mm wide.

We can also manufacture to your specifications: for example, multi leg web slings, basket slings and slings with metal end fittings.

They can lift from 500 kg up to 12,000 kg . We can also create specials to suit your requirements which can lift up to 24,000 kg.

The slings are made to suit your length requirements and are mostly used for general lifting purposes, and are manufactured to BSEN 1492-1:2000.



Width	Colour	 Vertical Tonnes	 Choked x 0.8 Tonnes	 Basket x 2 tonnes	 Basket x 1.4 (0-90) Tonnes
30mm	White	0.5	0.4	1	0.7
30/50mm	Violet	1	0.8	2	1.4
75mm	White	1.5	1.2	3	2.1
60/100mm	Green	2	1.6	4	2.8
90/150mm	Yellow	3	2.4	6	4.2
100/200mm	Grey	4	3.2	8	5.6
125/250mm	Red	5	4	10	7
150/300mm	Brown	6	4.8	12	8.4
200mm	Blue	8	6.4	16	11.2
250mm	Orange	10	8	20	14
300mm	Orange	12	9.6	24	16.8





ROUND SLINGS

The Round Slings are made from 1 tonne to 12 tonne from 0.5 metre to 15 metre effective working length, and are manufactured to BSEN 1492-2:2000.

Higher tonnages are available on request.

All slings are coloured coded to European Standard. They also with have line indents on the sleeving to indicate capacity.



Colour	 Vertical Tonnes	 Choked x 0.8 Tonnes	 Basket x 2 tonnes	 Basket x 1.4 (0-90) Tonnes
Green	2	1.6	4	2.8
Yellow	3	2.4	6	4.2
Grey	4	3.2	8	5.6
Red	5	4	10	7
Brown	6	4.8	12	8.4
Blue	5	4	10	7
Orange	10	8	20	14
Orange	12	9.6	24	16.8

POLYPLAIT SLINGS

The combination of steel wire rope interlaced with a specially manufactured polypropylene rope cord provides the Slingco polyplait wire rope sling with its unique qualities.

- No other wire rope sling is as flexible as the polyplait - 5x more flexible than conventional wire rope slings
- Should the poly rope become cut, this in no way weakens the sling as it's the steel wire rope that provides the strength

Polyplait slings can be fitted with a special polyester cover which provides further protection to the sling and the item being lifted. This prolongs the durability - and hence lifespan - of the sling even when used in the most arduous conditions.

Polyplait slings are a premium product, but with considered application in problem areas users can achieve remarkable savings over time.

Strength is achieved by the interlaced wire rope construction. the ends of the wires terminate inside the FSE splice, leaving no protruding wires to tear hands or damage cargoes.

Cushioning is the special feature of this versatile sling. Polypropylene rope is interwoven into the wire mesh in such a way that the polypropylene stands proud of the wires.

Flexibility is guaranteed by the wire rope weave of the sling.

Cost savings If and when the polypropylene rope wears, slings can be returned to Slingco for 're-ropeing', avoiding the need to purchase completely new slings.



Chole Lift (single suspension) (kg)	Basket Lift SWL at 0° -90° (kg)	Slingco Part No.
PP1	1000	1380
PP2	2000	2780

WIRE ROPE SLINGS

We manufacture wire rope slings to customer specifications, with soft eye or thimble eye fittings.

Our slings are made to BS464, in diameters from 1mm to 32mm in either galvanised or stainless steel wire rope, with lifting capacity ranging from 1,000kg to 30,000kg depending on requirement.





From lifting hardware, blocks and tools to lifting loops and sockets, from tail lift spares to winch ropes, from control cables to canopy supports, Slingco really does have it all.

Whatever your industry, whether you're looking for a simple wire rope sling or a complete rigging system, we offer literally thousands of products for fast delivery.

Our cables are found in everything from the humblest of Jib cranes to brand new military fighter aircraft. All have the same common qualities: exceptional raw materials, cutting edge design and the industry's best people. The result is a product that - whatever the application - you can trust to perform.



IMPORTANT TECHNICAL INFORMATION

SINGLE AND DOUBLE EYE CABLE GRIP INSTRUCTIONS

PLEASE NOTE: The condition of the cable grip should always be checked prior to use. The correct size of grip should always be used for the intended application. The rated capacity of the grip should never be exceeded. Grips that are worn, bent or otherwise damaged should not be used.



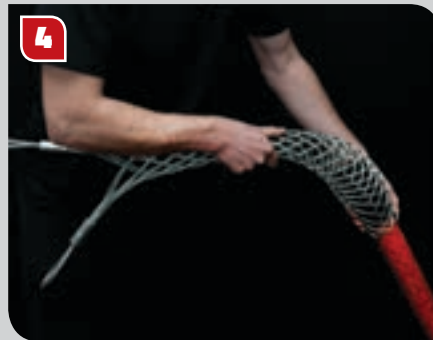
1 Select the correct grip for the diameter of the conductor.



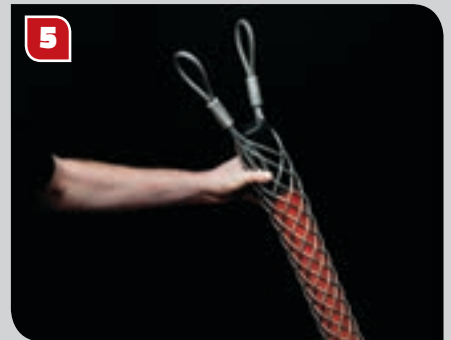
2 Prior to use, the lattice at the end of the grip needs to be widened. This can be easily achieved by pressing the end of the grip against a hard surface, which causes the lattice to expand.



3 The grip should then be placed over the end of the conductor...



4 ...and pushed over the conductor.



5 The grip then needs to be pushed along so that all the lattice is in contact with the conductor.



6 Once the cable grip is in place on the conductor, two clamps should be fitted to the end of the grip (as shown). We recommend between 1 ¼" (30mm) and 2 ¼" (55mm) away from the end of the cable grip.



7 Tape should then be wound around the end of the cable grip furthest away from the eye ends.



8 This will prevent the cable grip from snagging when in use.

LACE UP CABLE GRIP INSTRUCTIONS

PLEASE NOTE: The images shown here use double weave cable grips. When lacing single weave cable grips please use single wire lace; use double-laced for double weave cable grips; and use triple-laced for triple weave cable grips.



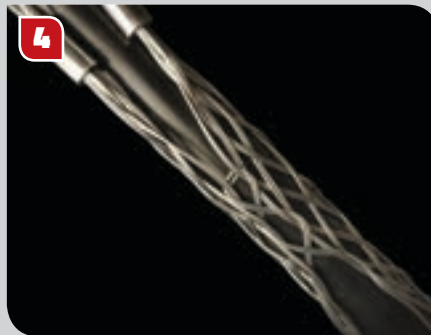
1 Start the lacing from the 'eye' end or anchoring end of the cable grip.



2 Thread the lace through the first two loops of the split and pull through until the laces are centered at this point.



3 Don't pull the lace too tight at this stage. Leave a space between adjoining loops roughly equal to the width of one diamond of the mesh.



4 Continue down the length of the cable grip. Try to maintain equal tension and equal spacing throughout as this leads to a more stable and equal grip.



5 As you continue down the length, pull the open sides of the grip as wide apart as required.



6 Try to achieve an even and neat lace-up as this assists with the strength of the grip when pulling.



7 Finally, tie the ends of the lace once or twice round the end of the cable grip twisting the ends together securely. Excess lace can be cut off.



8 Add any additional support as required – banding is recommended. The Slingco cable grip is now ready to use.

CABLE PULLING GRIPS AND CABLE SUPPORT GRIPS

ASSESSMENT OF SUITABILITY

There are many factors that must be taken into account when assessing the suitability of a cable grip for a proposed application and trying to calculate a safe working load. These include:

- Size of cable grip in relation to size/ shape of gripped object(s)
- Stability of object(s) when gripped
- Grip surface of object(s)
- Resistive force of object(s)
- Anticipated path of movement, including possible obstructions
- Approximate breaking strength of the cable grip
- Condition of cable grip
- Suitability and compatibility of any attachments used
- Environment / operating conditions
- Persons at risk

If you have any questions regarding suitability for any particular application please call the distributor who supplied the cable grip or our in-house Technical Department.

Please note: Slingco cable grips must be double steel banded securely before being pulled.

LATTICE DIMENSIONS

Lattice dimensions shown are as fitted to a nominal diameter of cable and prior 'free length' may be slightly longer than stated.

APPROXIMATE BREAK LOAD

This is the calculated average based on actual testing done by Slingco. Approximate break loads are quoted as a guide only.

SAFE WORKING LOAD

Application load is normally calculated to be reduced by at least a factor of 5x the Approximate break load. Due to the wide variety of application parameters, the end user must apply a sensible safety factor to suit the safety requirements for the conditions of use.

The Safe Working Load (SWL) of a Slingco cable grip will depend on the Factor of Safety (FOS) applied to the Minimum Breaking Load.

FACTOR OF SAFETY (FOS)

Where the operational risk is considered to be normal, it is recommended that a FOS of 5 be applied, for a high risk operation a FOS of at least 10 should be considered. It is impossible to catalogue or guarantee a safety factor that will apply for all applications.

Approximate Break Loads stated on any certification, the recommended Factors of Safety, and any implied or stated fitness for purpose, are all only applicable when the cable grip is as new and unused.

A 20% variance in break loads must be allowed for when selecting a cable grip; a suitable swivel must be used if there is 'twist' in the cable.

Torsional stress must be dealt with when using grips for line pulls and wire splices. When twisting forces are present use a swivel that rotates under load to release torsional stress.

Cable Grip Safety Information

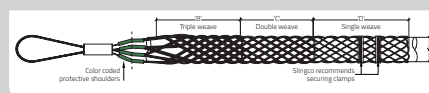
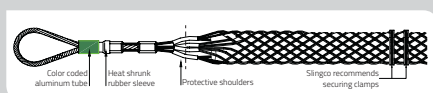
- Ensure that the cable grip mesh fits conductor correctly
- Ensure that the conductor fits up to the mid-point of the protective shoulder
- Clamp the ends of the cable grip when attaching the conductor. We recommend between 1¼" and 2¼" from the end of the cable grips
- SECURE CLAMPING MUST BE USED ON SLINGCO CABLE GRIPS
- Never modify or attempt to repair any grip
- Ensure proper maintenance of the cable grip. If in doubt call 01706 855558
- Check the condition of the cable grip, and that it is the correct size for the intended application - do not exceed the rated capacity
- Grips that are worn, bent or otherwise damaged should not be used
- Grips are only to be used for temporary installations
- Pulling devices should only be attached via the pulling eye
- Cable grips must only be fitted and used by trained competent person(s)



SLINGCO CABLE GRIPS MUST NOT BE USED TO THEIR APPROXIMATE BREAKING STRENGTH. A SENSIBLE SAFETY FACTOR MUST ALWAYS BE USED. IF IN DOUBT CONTACT THE MANUFACTURER OR THE DISTRIBUTOR THAT SUPPLIED THE GRIP!

If you have any questions regarding suitability for any particular application please call 01706 855558

TYPICAL CONFIGURATIONS







Slingco Limited

Station Road, Facit, Whitworth,
Lancashire, OL12 8LJ, England
Tel: +44 [0]1706 855558
Fax: +44 [0]1706 855559
sales@slingco.com

Slingco America, Inc.

130 Celtic Blvd, Tyrone,
Georgia, 30290, USA
TOLL FREE: 888 685 9478
Fax: 888 728 4047
sales@slingcoamerica.com

FOR ANY ENQUIRIES CALL TODAY ON
+44 [0]1706 855558



www.slingco.com