

SPXFLOW

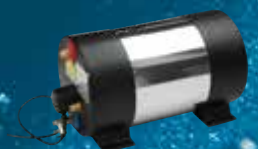
> Johnson Pump®



Marine Catalog

Pumps & Accessories
for Marine Applications

Johnson Pump - Marine Catalog | Version US v.5 | www.spxflow.com





SPX[®]FLOW

SPX FLOW, Inc. (NYSE:FLOW) is a leading manufacturer of innovative flow technologies, many of which help define the industry standard in the market segments they serve. From its headquarters in Charlotte, North Carolina, it operates a sales and support network, centers of manufacturing excellence, and advanced engineering facilities, throughout the world. Its cutting-edge flow components and process equipment portfolio includes a wide range of pumps, valves, heat exchangers, mixers, homogenizers, separators, filters, UHT, and drying technology that meet many application needs. Its expert engineering capability also makes it a premium supplier of customized solutions and complete, turn-key packages to meet the most exacting of installation demands.

Incorporating many leading brands, SPX FLOW has a long history of serving the food and beverage, power and energy, and industrial market sectors. Its designs and engineered solutions help customers drive efficiency and productivity, increase quality and reliability, and meet the latest regulatory demands. In-depth understanding of applications and processes, state-of-the-art Innovation Centers, and advanced pilot/testing technology further assist in optimizing processes and reducing timescales to reliably meet production targets.

To learn more about SPX FLOW capabilities, its latest technology innovations and complete service offerings, please visit www.spxflow.com.



CONTENTS

Water Pressure Systems & Wash Down Pumps.....	5	
Submersible Bilge Pumps & Switches.....	12	
Fishing Livewell Pumps and Accessories.....	21	
Flexible Impeller Pumps DC (FIP)	25	
Circulation Pumps	28	
Waste Water Handling & Marine Toilets	31	
Radial Blowers & Marine Water Heaters	38	
Impeller Pumps	42	
Engine Cooling	48	
Impeller Identification Guide.....	51	
Key to Pump Type Specification System.....	55	
Index	56	



➤ Johnson Pump®



SPX FLOW Johnson Pump marine brand is one of the world's leading manufacturers of pumps for marine use. With 50 years of pump experience, we know the industry well.

No matter whether you are an experienced boater looking for a replacement pump or a manufacturer specifying pumps for your marine application, we are prepared to provide you with the support you need. And no matter where you work or live, access to our products, services, spare parts and support are never far away. In fact, you will find SPX FLOW's Johnson Pump marine brand represented in every major industrial country of the world today and in more than sixty nations altogether.

RELIABILITY ON BOARD

-SINCE 1968-



Water Pressure Systems & Wash Down Pumps

Photo: Hallberg Rassy



The Aqua Jet five chamber diaphragm pump provides the perfect water pressure or deck wash solution for both small and medium sized leisure and commercial boats as well as for mobile homes, campers and summer homes.

Quiet and pulsation-free even at low speeds. Efficient and compact, Aqua Jet pumps are particularly suitable where low amperage and sound levels in relation to water flow are placed at a premium - such as in shower and galley applications. Integrated pressure switch turns pump on and off automatically when tap is opened and closed.

Operates in fresh or sea water. Self-priming.



CE

EN55014-1
ISO8846
ISO10133

Johnson Pump®

Aqua Jet Water Pressure Systems

The five chamber Aqua Jet WPS-series provides a reliable heart for small boat and recreational vehicle water pressure systems.

Compared to conventional three or four-chamber diaphragm pumps, the Aqua Jet demonstrates dramatically lower noise and water pulsation characteristics. It is recommended to install the WPS-pumps with an accumulator tank. Always use a PUMProtector inlet strainer before the pump intake.



AQUA JET WPS 2.4

Diaphragm	Santoprene
Valves	EPDM
Body	PP/PPA
Motor	85W
Weight	1.6 kg/3.5 lbs
Length	204 mm/8.02"
Width	197 mm/7.76"
Height	110 mm/4.33"

Part No.	Description	Capacity
10-24604-103	Aqua Jet WPS 2.4 12V	9 l/min – 2.4 GPM
10-24604-104	Aqua Jet WPS 2.4 24V	9 l/min – 2.4 GPM
Pressure Cut Off*	Fuse Size	Connection**
2.8 bar – 41 psi	10 A	3/8" NPT / hose 1/2"; 1/2" NPT, 3/4" hose
2.8 bar – 41 psi	5 A	3/8" NPT / hose 1/2"; 1/2" NPT, 3/4" hose



AQUA JET WPS 2.9

Diaphragm	Santoprene
Valves	EPDM
Body	PP/PPA
Motor	85W
Weight	1.6 kg/3.5 lbs
Length	204 mm/8.02"
Width	197 mm/7.76"
Height	110 mm/4.33"

Part No.	Description	Capacity
10-13405-103	Aqua Jet WPS 2.9 12V	11 l/min – 2.9 GPM
10-13405-104	Aqua Jet WPS 2.9 24V	11 l/min – 2.9 GPM
Pressure Cut Off*	Fuse Size	Connection**
2.8 bar – 41 psi	10 A	3/8" NPT / hose 1/2"; 1/2" NPT, 3/4" hose
2.8 bar – 41 psi	5 A	3/8" NPT / hose 1/2"; 1/2" NPT, 3/4" hose



AQUA JET WPS 3.5

Diaphragm	Santoprene
Valves	EPDM
Body	PP/PPA
Motor	85W
Weight	2 kg/4.5 lbs
Length	236,5 mm/9.31"
Width	210 mm/8,25"
Height	116 mm/4.575"

Part No.	Description	Capacity
10-13395-103	Aqua Jet WPS 3.5 12V	13L/min / 3.5 GPM
10-13395-104	Aqua Jet WPS 3.5 24V	13L/min / 3.5 GPM
Pressure Cut Off*	Fuse Size	Connection**
2.8 bar – 41 psi	10 A	3/8" NPT / hose 1/2"; 1/2" NPT, 3/4" hose, 1/2" NPT, 3/4" hose
2.8 bar – 41 psi	5 A	3/8" NPT / hose 1/2"; 1/2" NPT, 3/4" hose, 1/2" NPT, 3/4" hose



AQUA JET WPS 4.0

Diaphragm	Santoprene
Valves	EPDM
Body	PP
Motor	100W
Weight	2 kg/4.5 lbs
Length	240 mm/9.46"
Width	214 mm/8,42"
Height	110 mm/4.33"

Part No.	Description	Capacity
10-13406-103	Aqua Jet WPS 4.0 12V	15L/min / 4.0 GPM
10-13406-104	Aqua Jet WPS 4.0 24V	15L/min / 4.0 GPM
Pressure Cut Off*	Fuse Size	Connection**
2.8 bar – 41 psi	10 A	3/8" NPT / hose 1/2"; 1/2" NPT, 3/4" hose, 1/2" NPT, 3/4" hose
2.8 bar – 41 psi	5 A	3/8" NPT / hose 1/2"; 1/2" NPT, 3/4" hose, 1/2" NPT, 3/4" hose



AQUA JET WPS 5.2

Diaphragm	Santoprene
Valves	EPDM
Body	PP
Motor	150W
Weight	2 kg/4.5 lbs
Length	240 mm/9.46"
Width	214 mm/8,42"
Height	110 mm/4.33"

Part No.	Description	Capacity
10-13406-107	Aqua Jet WPS 5.2 12V	20L/min/ 5.2 GPM
10-13406-108	Aqua Jet WPS 5.2 24V	20L/min/ 5.2 GPM
Pressure Cut Off*	Fuse Size	Connection**
2.8 bar – 41 psi	15 A	3/8" NPT / hose 1/2"; 1/2" NPT, 3/4" hose, 1/2" NPT, 3/4" hose
2.8 bar – 41 psi	8 A	3/8" NPT / hose 1/2"; 1/2" NPT, 3/4" hose, 1/2" NPT, 3/4" hose

*Cut off pressure 2.1 bar/30 psi and 1.4 bar/20 psi available on request

** BSP-connection available on request

ADDITIONAL ADD-ON'S FOR AQUA JET WPS



-INLET STRAINER

Part No. 09-24653-01
For more information see page 10.



-ACCUMULATOR TANK

Part No. 09-46839-01 & 09-46839-02
For more information see page 11.

AQUA JET FLOW MASTER WPS 5.0 – VARIABLE FLOW

The whisper quiet self-priming Aqua Jet Flow Master WPS 5.0 pump incorporates state-of-the-art electronics to automatically control pump speed. The digital controller adjusts water flow as the demand is increased and decreased while maintaining a very smooth flow. The unique variable flow feature of the Aqua Jet Flow Master WPS 5.0 pump makes it a smart choice for better flow, lower noise and less amp draw. PUMProtector Inlet Strainer included. Recommended to install with an accumulator tank.



Lenght	239 mm/9.4"	Motor	WPS 5.0 – 150 W, 12/24V DC (with built-in thermal protection)
Width	209 mm/8.22"	Body	Nylon/Polypropylene
Height	113 mm/4.49"	Valves	Santoprene/EPDM
Weight	2 kg/4.5 lbs	Diaphragm	Santoprene

Part No.	Description	Capacity	Pressure Cut Off*	Fuse Size	Connection**
10-13329-103	Aqua Jet Flow Master WPS 5.0 12V	19 l/min – 5 GPM	3.5 bar – 50 psi	15 A	3/8" NPT / hose 1/2"; 1/2" NPT / hose 3/4"; 1/2" NPT 3/4" hose 1/2 CTS
10-13329-104	Aqua Jet Flow Master WPS 5.0 24V	19 l/min – 5 GPM	3.5 bar – 50 psi	8 A	3/8" NPT / hose 1/2"; 1/2" NPT / hose 3/4"; 1/2" NPT 3/4" hose 1/2 CTS

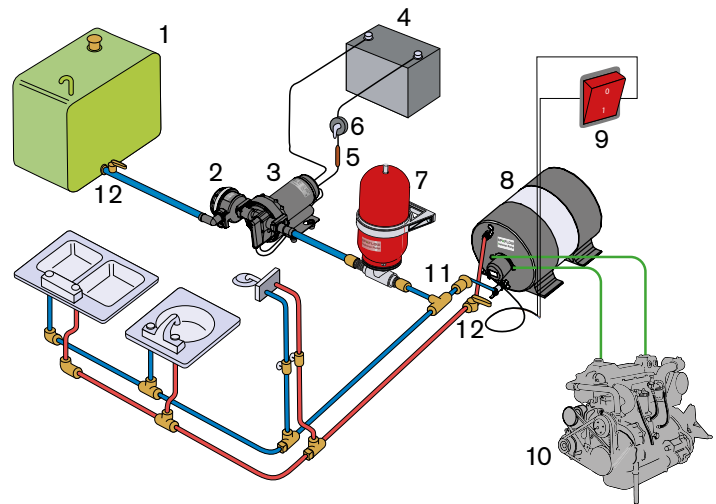
*Cut off pressure 2.1 bar/30 psi and 1.4 bar/20 psi available on request

** BSP-connection available on request

FRESH WATER HANDLING

Components included in a complete Water Pressure Systems:

- | | |
|---------------------------------|--------------------------|
| 1. Water tank | 7. Accumulator tank |
| 2. PUMProtector inlet strainer | 8. Water heater |
| 3. Aqua Jet Water Pressure Pump | 9. ON/OFF bipolar switch |
| 4. Battery | 10. Motor |
| 5. Fuse | 11. Check valve |
| 6. Switch | 12. Shut-off valve |



AQUA JET UNO WPS 3.5 & 5.2 – COMPACT ALL IN ONE UNIT

Medium capacity unit with a single Aqua Jet WPS capacity 13 l/min or 20 l/min fixed on a base with PUMProtector inlet strainer and a 2 litres pre-pressurized accumulator tank.

Part No.	Description	Capacity	Pressure Cut Off*	Fuse Size	Connection**
10-13408-01	Aqua Jet Uno WPS 3.5 GPM 12V	13 l/min – 3.5 GPM	2.8 bar – 41 psi	10 A	3/4" hose
10-13408-02	Aqua Jet Uno WPS 3.5 GPM 24V	13 l/min – 3.5 GPM	2.8 bar – 41 psi	5 A	3/4" hose
10-13408-03	Aqua Jet Uno WPS 5.2, GPM 12V	20 l/min – 5.2 GPM	2.8 bar – 41 psi	15 A	3/4" hose
10-13408-04	Aqua Jet Uno WPS 5.2 GPM 24V	20 l/min – 5.2 GPM	2.8 bar – 41 psi	8 A	3/4" hose
09-46781-01	Switch Complete WPS 41 psi		41 psi		



AQUA JET DUO WPS 10.4 – COMPACT ALL IN ONE UNIT

High capacity unit with two parallel-connected Aqua Jet WPS capacity 40 l/min fixed on a base with PUMProtector inlet strainers and a 2 litres pre-pressurized accumulator tank.

Part No.	Description	Capacity	Pressure Cut Off*	Fuse Size	Connection**
10-13409-01	Aqua Jet Duo WPS 10.4 GPM 12V	40 l/min – 10.4 GPM	2.8 bar – 41 psi	25 A	3/4" hose
10-13409-02	Aqua Jet Duo WPS 10.4 GPM 24V	40 l/min – 10.4 GPM	2.8 bar – 41 psi	15 A	3/4" hose
09-46781-01	Switch Complete WPS 41 psi		41 psi		
09-46781-03	Switch Complete WPS 30 psi		30 psi		





AQUA JET UNO MAX WPS 2.9 & 3.5 – COMPACT ALL IN ONE UNIT

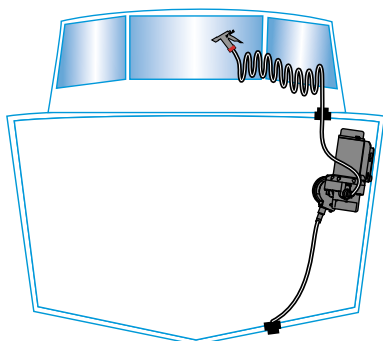
Medium capacity unit with a single Aqua Jet WPS with capacity 11 or 13 l/min fixed on a wooden panel for easy and efficient installation. The unit includes a PUMProtector inlet strainer and a 2 litres pre-pressurized accumulator tank.

Part No.	Description	Capacity	Pressure Cut Off*	Fuse Size	Connection**
10-13410-01	Aqua Jet Uno Max WPS 2.9 GPM 12V	11 l/min – 2.9 GPM	2.8 bar – 41 psi	10 A	3/4" hose
10-13410-02	Aqua Jet Uno Max WPS 2.9 GPM 24V	11 l/min – 2.9 GPM	2.8 bar – 41 psi	5 A	3/4" hose
10-13411-01	Aqua Jet Uno Max WPS 3.5 GPM 12V	13 l/min – 3.5 GPM	2.8 bar – 41 psi	10 A	3/4" hose
10-13411-02	Aqua Jet Uno Max WPS 3.5 GPM 24V	13 l/min – 3.5 GPM	2.8 bar – 41 psi	5 A	3/4" hose

*Cut off pressure 2.1 bar/30 psi and 1.4 bar/20 psi available on request

** BSP-connection available on request

Aqua Jet Wash Down Pump Systems



The quiet and pulsation-free Aqua Jet five-chamber diaphragm wash down pumps provide the perfect wash down solution for cleaning recreational equipment. With a higher pressure of up to 5 bar, clean-up is faster and easier than ever before. Complete with spray pistol, PUMProtector inlet strainer and hose connections for 1/2" hose. Both BSP and NPT connections included.

AQUA JET WASH DOWN PUMP 2.9, 3.5 & 5.2 GPM

Complete with spray pistol, PUMProtector inlet strainer and hose connections for 1/2" hose. Both BSP and NPT connections included in package.

Dimensions	See Aqua Jet WPS 2.9, WPS 3.5 and WPS 5.2	Body	PA/PPA
Motor	Aqua Jet WD 2.9 - 90 W, 12/24V DC	Valves	Nitrile
	Aqua Jet WD 3.5 - 120 W, 12/24V DC	Diaphragm	Santoprene
	Aqua Jet WD 5.2 - 185 W, 12/24V DC (with built-in thermal protection)		



Part No.	Description	Capacity	Pressure Cut Off	Fuse Size	Connection
10-24728-03	Aqua Jet WD 2.9 12V	11 l/min – 2.9 GPM	2.8 bar – 41 psi	10 A	3/8" BSP x 1/2" barb / 1/2" NPT x 3/4" barb
10-24728-04	Aqua Jet WD 2.9 24V	11 l/min – 2.9 GPM	2.8 bar – 41 psi	5 A	3/8" BSP x 1/2" barb / 1/2" NPT x 3/4" barb
10-13399-03	Aqua Jet WD 3.5 12V	13 l/min – 3.5 GPM	5 bar – 70 psi	15 A	1/2" NPT / hose 3/4", GHT 3/4"; 3/8" BSP x 1/2" barb
10-13399-04	Aqua Jet WD 3.5 24V	13 l/min – 3.5 GPM	5 bar – 70 psi	8 A	1/2" NPT / hose 3/4", GHT 3/4"; 3/8" BSP x 1/2" barb
10-13407-07	Aqua Jet WD 5.2 12V	20 l/min – 5.2 GPM	5 bar – 70 psi	20 A	1/2" NPT / hose 3/4", GHT 3/4"; 3/8" BSP x 1/2" barb
10-13407-08	Aqua Jet WD 5.2 24V	20 l/min – 5.2 GPM	5 bar – 70 psi	10 A	1/2" NPT / hose 3/4", GHT 3/4"; 3/8" BSP x 1/2" barb

AQUA JET WASH DOWN 3.5 GPM PORTABLE KIT

Kit includes everything you need to washdown your boat, RV, water craft and more. Use any water available, fresh or salt water. Complete with collapsing hose, spray pistol, input hose with filter, 3.5 wash down pump, dual power option 12V cigarette lighter power cord, and battery clips to power from battery terminals. 70 psi pressure. Fully ingition protected and CE approved wash down pump.



Part No.	Description
64736-00	Aqua Jet WD 3.5 GPM 12V Portable Kit
09-60616	Portable WD flexible hose



09-60616

Discover the different wash down kits from SPX FLOW Johnson Pump. Always includes a high capacity Aqua Jet Wash Down Pump 3.5 or 5.2, PUMProtector inlet strainer, spray nozzle and the relevant connections – all in one package.

AQUA JET WASH DOWN 3.5 GPM PUMP KIT

Part No.	Description	Connection	Kit Includes
JP-64535	Aqua Jet 3.5 Wash Down Pump Kit, 12V	3/8" BSP x 1/2" barb	Aqua Jet WD 3.5, inlet strainer, spray pistol, hose and connectors, barb port fittings, panel switch
10-13399-0311	Aqua Jet 3.5 Wash Down Pump Kit, 12V, Clamshell	1/2" NPT / hose 3/4", 3/4" GHT	Aqua Jet WD 3.5, inlet strainer, spray pistol, connectors, barb port fittings
10-13399-0411	Aqua Jet 3.5 Wash Down Pump Kit, 24V, Clamshell	1/2" NPT / hose 3/4", 3/4" GHT	Aqua Jet WD 3.5, inlet strainer, spray pistol, connectors, barb port fittings



AQUA JET WASH DOWN 5.2 GPM PUMP KIT

Part No.	Description	Connection	Kit Includes
64534	Aqua Jet 5.2 Wash Down Pump Kit, 12V	1/2" NPT / hose 3/4", 3/4" GHT, Hose 3/4" GHT Bulkhead fitting – Inlet 3/4" hose, outlet 3/4" GHT	Aqua Jet WD 5.2, inlet strainer, spray pistol, hose, bulkhead fitting, hose connectors, barb port fittings, panel switch
64534-24	Aqua Jet 5.2 Wash Down Pump Kit, 24V		
64534CL	Aqua Jet 5.2 Wash Down Pump Kit, 12V, Clamshell	1/2" NPT / hose 3/4", 3/4" GHT, Hose 3/4" GHT	Aqua Jet WD 5.2, inlet strainer, spray pistol, hose and connectors



AQUA JET WASH DOWN 5.2 GPM/ 500 GPH LIVEWELL PUMP KIT

A wash down kit including Aqua Jet Wash Down/Livewell Pump kit that makes it easy to add a wash down and livewell pump to any boat.

Part No.	Description	Connection	Kit Includes
64634	Aqua Jet WD 5.2 GPM/ 500 GPH 12V Livewell	3/8" BSP, 1/2" hose (Ø 13 mm) US 1/2" NPT, 3/4" hose (Ø 19 mm) 3/4" GHT	Aqua Jet WD 5.2, inlet strainer, spray pistol, hose and connectors, 500 GPH Twin Port Live Well Pump, Dura-Port fittings, Two 2-way panel switches



Accessories for Water Pressure Systems & Wash Down Pumps on page 11

1.1 PUMP/FAUCET COMBINATION

Powerful 1.1 GPM pump and faucet combination. Self priming diaphragm style demand pump. Can be mounted above water tank. Easy access, low maintenance. Sleek faucet included.

Part No.	Description
61123	1.1 GPM Pump & 15" Faucet 12V
09-CD65582	15" Chrome Plated Faucet
10-22020-101	1.1 GPM WPS Pump FL2202



PUMPROTECTOR™ STRAINER

The PUMProtector™ Universal and Inlet strainers prevent debris and other particles from damaging the pump or passing through the system to the final outlet. Both of these strainers feature transparent covers for simple inspection, a wide variety of KlickTite™ port connectors for simple installation and removal, and high quality materials for simple maintenance.

The design and connectors make it possible to remove the entire unit for thorough cleaning wherever it is most convenient. We recommend 40 mesh for water pressure and wash down pumps and 20 mesh for general purpose pumps.



UNIVERSAL STRAINER

Materials	Strainer – Polyamide 66, black Cover – Acrylic, clear, 01-36012 P02 Screen – Stainless steel, 20 and 40 mesh O-rings – Silicone and EPDM	Diameter	80 mm / 3.15"
		Height	60 mm / 2.35"
		Weight	0.15 kg / 0.33 lbs
		Mesh size	20 or 40

Part No.	Description	Mesh	Max Liquid Temp.	Max Temp. for Drinking Water	KlickTite™ Connector
09-24652-02-CN	Universal Strainer	40	+50°C – +120°F	+30°C – +85°F	2 x 1/2" hose / 3/8" NPT, 2 x 3/4" hose / 1/2" NPT
09-24652-04-CN	Universal Strainer	20	+50°C – +120°F	+30°C – +85°F	2 x 1/2" hose / 3/8" NPT, 2 x 3/4" hose / 1/2" NPT
01-36012 P02	Strainer Cover (O-ring not included)				

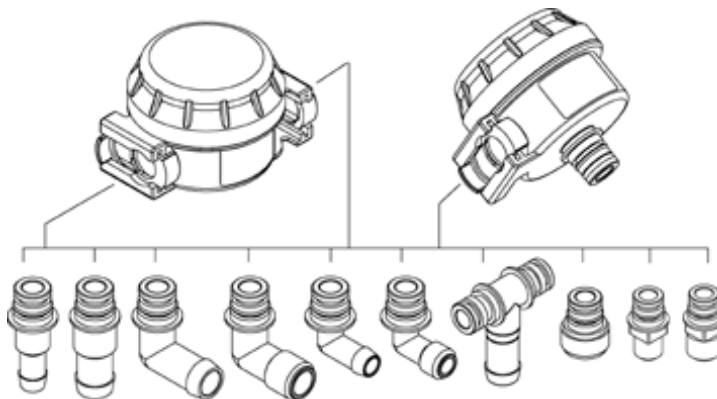
INLET STRAINER

Materials	Strainer – Polyamide 66, black Cover – Acrylic, clear, 01-36012 P02 Screen – Stainless steel, 20 and 40 mesh O-rings – Silicone and EPDM	Diameter	80 mm / 3.15"
		Height	60 mm / 2.35"
		Weight	0.15 kg / 0.33 lbs
		Mesh size	20 or 40

Part No.	Description	Mesh	Max Liquid Temp.	Max Temp. for Drinking Water	KlickTite™ Connector
09-24653-02-CN	Inlet Strainer	40	+50°C – +120°F	+30°C – +85°F	Built-in KlickTite™ 1 x 1/2" hose / 3/8" NPT, 1 x 3/4" hose / 1/2" NPT
09-24653-03-CN	Inlet Strainer	40	+50°C – +120°F	+30°C – +85°F	Built-in KlickTite™, Bulk pack without connectors
01-36012 P02	Strainer Cover (O-ring not included)				

KLICKTITE™ - PORT CONNECTORS

KlickTite™ port connectors are available for virtually any hose diameter and make it possible to remove the entire unit for thorough cleaning wherever it's most convenient. They also make it possible to drain the system quickly for effortless winterizing without the use of any tools.



Part No.	Pcs/Package	KlickTite™ Connector
09-46957	2	2 x 1/2" Hose and 3/8" NPT
09-46958	2	2 x 3/4" Hose and 1/2" NPT
09-46939	2	2 x 90°, 3/4" Hose
09-47088	2	2 x 90°, 1/2" NPT
09-46938	2	2 x 90°, 1/2" Hose
09-47089	2	2 x 90°, 3/8" NPT
09-47092	1	1 x T-connection, 3/4" Barb
09-47094	2	2 x Garden Hose Adapter
09-47087	2	2 x 90° 1/2" BSP / 3/4" Hose
09-47098	2	2 x 1/2" BSP / 1/2"-14 NPSM

Accessories - Water Pressure Systems & Wash Down Pumps

ACCUMULATOR TANK

The use of an accumulator tank is recommended to ensure effective and reliable system function. With an accumulator tank incorporated in the system, the intervals between cut-in and cut-out will be longer when only small amounts of water are drawn off. Less wear and tear on the pump with fewer starts and stops. Pre-pressurized at 0.8 bar / 12 psi.



Part No.	Description	Connection
09-46839-01	Accumulator Tank 2 lit 15 mm.	1/2" hose connection
09-46839-02	Accumulator Tank 2 lit 19 mm	3/4" hose connection

Volume 2 l / 0.5 gal.
Height 315 mm / 12.4"
Diameter 160 mm / 6.3"
Weight 1,2 kg / 2.7 lbs

ACCESSORIES

Part No.	Description
40057	Water Pressure Regulator
61104-00	Hose Connector
61127A	90 ° Wash Down Bulkhead Fitting
61155	Spray Pistol with hose connector
69103PK	Garden Hose Thread
82024	Wash Down Control 12V 2-way ON OFF
09-10616	Bulk head fitting 3/4" hose
10615-00	Black hose Bulk 25ft (7.5m)
09-24653-02-CN	Inlet Strainer 40 mesh NPT
01-36012 PO2	Strainer Cover
09-46780	Rubber Feet (4 pcs)
01-36099-1	Red Slide clip (bulk)
09-46781-01	Switch Complete 2.8 bar (40.6 psi)
09-46781-02	Switch Complete 5.0 bar (72.5 psi)
09-46781-03	Switch Complete 2.1 bar (30 psi)



82024



61155



61104-00



40057



69103PK



09-10616



10615-00



01-36099-1



09-46781-01



61127A

DECK WASH - QUICK CONNECT FITTING

Single & Double Flush Mount

- Connects and disconnects under full pressure
- Positive lock bayonet connector
- Double viton o-ring seals
- Large flow capacity
- 316 stainless steel
- Nylon 66 connections
- Two connector versions:
American standard garden hose (blue)

Part No.	Description
JP-61121	Deck Wash- single outlet, single flush
61122	Deck Wash- double outlet, 2-way flush



JP-61121



61122

TANK MONITORING

Monitors 3 holding tanks with digital accuracy. "Field Effect" sensors mount on the outside of any polyethylene or polypropylene tank up to 10 mm thick. Great for fresh, gray or black water tanks. Monitor panel reads level for each tank.

Part No.	Description
200600032	Sensa Tank Marine Monitoring





Submersible Bilge Pumps

Photo: Volvo Penta Next Generation 6.2L Engine



The submersible pumps from SPX FLOW Johnson Pump Marine can handle most bilge pump applications. Heavy duty motors with stainless steel (SS2343) shaft and tough thermoplastic bodies provide for a long pump life.

With an automatic switch installed, the pump automatically starts on when there is water in the bilge and shuts off when it is dry.

Salt Water Tested - Salt Water Tough.



EN55014-1
ISO8846
ISO8849
ISO10133

Heavy Duty Bilge Pumps

Designed to meet and exceed the tough demands of commercial and recreational duty. These pumps has a liquid cooled, 12-pole motor with double ball bearings for extended service life.

The 2200 GPH motor is sealed off by a mechanical seal design, while the 1600 GPH model has lipseal. The impeller is carefully designed and tested to maximize head and flow. The 4000 GPH features a robust motor design, mechanical shaft seal, high impact ABS plastic and unique threaded port design. Universal base plate and choice of two different ports makes for a simple installation. Removable check valve included.



1600 GPH



2200 GPH



4000 GPH

1600 GPH

Shaft SS2343
Wire Size 1.3 mm² – 16 GA
Wire length 1.8 m – 6 ft
Max Ø 108 mm – 4.25"
Max Height 149 mm – 5.86"
Weight 1.3 kg – 2.75 lbs

2200 GPH

Shaft SS2343
Wire Size 1.3 mm² – 16 GA
Wire Length 1.8 m – 6 ft
Max Ø 108 mm – 4.25"
Max Height 177 mm – 7"
Weight 2.25 kg – 4.96 lbs

4000 GPH

Shaft SS2343
Wire Size 2 mm² – 14 GA
Wire Length 1.8 m – 6 ft
Max Ø 121 mm – 4.8"
Max Height 216 mm – 8.5"
Weight 2.45 kg – 5.40 lbs

HEAVY DUTY BILGE PUMP 1600-4000 GPH - SUBMERSIBLE BILGE PUMP

Part No.	Description	Capacity 1.0 m head (13.6V/27.2V)	Capacity straight (13.6V/27.2V)	Amperage	Fuse Size	Connection
16004-00	Heavy Duty Bilge Pump 1600 GPH, 12V	98 l/min – 1550 GPH	100 l/min – 1600 GPH	7 A	10 A	1 1/8" & 1 1/4"
16084-00	Heavy Duty Bilge Pump 1600 GPH, 24V	98 l/min – 1550 GPH	100 l/min – 1600 GPH	3.5 A	6 A	1 1/8" & 1 1/4"
22004	Heavy Duty Bilge Pump 2200 GPH, 12V	120 l/min – 1900 GPH	130 l/min – 2060 GPH	7.5 A	12 A	1 1/8" & 1 1/4"
22084	Heavy Duty Bilge Pump 2200 GPH, 24V	120 l/min – 1900 GPH	130 l/min – 2060 GPH	4.5 A	6 A	1 1/8" & 1 1/4"
40004	Heavy Duty Bilge Pump 4000 GPH, 12V	164 l/min – 2600 GPH	252 l/min – 4000 GPH	15 A	25 A	1 1/2" & 2"
40084	Heavy Duty Bilge Pump 4000 GPH, 24V	164 l/min – 2600 GPH	252 l/min – 4000 GPH	7.5 A	15 A	1 1/2" & 2"

HEAVY DUTY BILGE PUMP 1600-2200 GPH- AUTOMATIC SUBMERSIBLE BILGE PUMP

Part No.	Description	Capacity 3ft (1.0 m) head (13.6V/27.2V)	Capacity straight (13.6V/27.2V)	Amperage	Fuse Size	Connection
01604-00	Heavy Duty Bilge Pump 1600 GPH, Combo 12V (with Electro-Magnetic Switch)	98 l/min – 1550 GPH	100 l/min – 1600 GPH	7 A	10 A	1 1/8" & 1 1/4"
01604-002	Heavy Duty Bilge Pump 1600 GPH, Combo 24V (with Electro-Magnetic Switch)	98 l/min – 1550 GPH	100 l/min – 1600 GPH	3.5 A	6 A	1 1/8" & 1 1/4"
01674-001	Heavy Duty Bilge Pump 1600 GPH, Ultima 12V (with Ultima Switch)	98 l/min – 1550 GPH	100 l/min – 1600 GPH	7 A	10 A	1 1/8" & 1 1/4"
01674-002	Heavy Duty Bilge Pump 1600 GPH, Ultima 24V (with Ultima Switch)	98 l/min – 1550 GPH	100 l/min – 1600 GPH	3.5 A	6 A	1 1/8" & 1 1/4"
02204-00	Heavy Duty Bilge Pump 2200 GPH, Combo 12V (with Electro-Magnetic Switch)	120 l/min – 1900 GPH	130 l/min – 2060 GPH	7.5 A	12 A	1 1/8" & 1 1/4"
02204-002	Heavy Duty Bilge Pump 2200 GPH, Combo 24V (with Electro-Magnetic Switch)	120 l/min – 1900 GPH	130 l/min – 2060 GPH	4.5 A	6 A	1 1/8" & 1 1/4"
02274-001	Heavy Duty Bilge Pump 2200 GPH, Ultima 12V (with Ultima Switch)	120 l/min – 1900 GPH	130 l/min – 2060 GPH	7.5 A	12 A	1 1/8" & 1 1/4"
02274-002	Heavy Duty Bilge Pump 2200 GPH, Ultima 24V (with Ultima Switch)	120 l/min – 1900 GPH	130 l/min – 2060 GPH	4.5 A	6 A	1 1/8" & 1 1/4"



01604-00 (12V),
01604-002 (24V)



01674-001 (12V),
01674-002 (24V)



02204-00 (12V),
02204-002 (24V)



02274-001 (12V),
02274-002 (24V)

ACCESSORIES 1600-4000 GPH

Part No.	Description
10606-00	1 1/8" Threaded Discharge Port 1600 GPH/2200 GPH
10607-00	1 1/4" Threaded Discharge Port 1600 GPH/2200 GPH
54061-24PK	1" Port, 1600 GPH/2200 GPH
54264PK	Black basket, 1600 GPH/2200 GPH
54274PK	Black basket, 4000 GPH



10606-00



10607-00



54264PK

Check Valve Flapper and Check Valve Washer available upon request.

DISCOVER OUR RANGE OF HEAVY DUTY BILGE PUMPS



VIKING POWER 16

Part No. 10-13350-03
For more information see page 32



F3B-19

Part No. 10-24516-01
For more information see page 26

Bilge Pumps

Cartridge Bilge Pumps

encompass four compact pumps, each for a different capacity need. All of them use remarkably little electricity for the amount of water they pump.

Their motors also provide increased service life, thanks in part to an ingenious solution which circulates the discharge water around the motor for cooling.



500 - 1000 GPH



1250 GPH*

Cartridge Bilge Pumps

Bilge pump cleaning and maintenance no longer call for complete disassembly. You can now leave the pump casing attached to both the boat and the hoses. The cartridge bilge pumps can be removed for cleaning or replacement without the use of a single tool. Lift a tab on the top, give the cartridge a twist and pull it out; that's all there is to it. The cartridge contains an all-in-one motor/impeller unit with no loose parts.

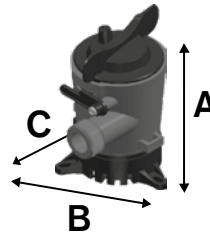
CARTRIDGE - SUBMERSIBLE BILGE PUMP

Our Cartridge Pumps incorporate some of the most advanced features in the industry, features developed from service in a wide variety of uses including racing, cruising, sport fishing, and demanding commercial duties. The 500 GPH, 750 GPH, and 1000 GPH has easy-to-install Dura-Port discharge ports to eliminate stress cracking caused by over-tightened hose clamps. The pumps are delivered including both a straight and a 90° smooth elbow Dura-Port as well as a removable check valve.

Part No.	Description	Capacity 3 ft (0.9 m) head (13.6V/27.2V)	Capacity straight (13.6V/27.2V)	Amperage	Fuse Size	Connection
32503	Cartridge Bilge Pump 500 GPH 12V	33 l/min - 525 GPH	40 l/min - 630 GPH	2.5 A	5 A	3/4"
32703	Cartridge Bilge Pump 750 GPH 12V	44 l/min - 700 GPH	50 l/min - 800 GPH	3 A	5 A	3/4"
32903	Cartridge Bilge Pump 1000 GPH 12V	50 l/min - 800 GPH	63 l/min - 1000 GPH	3.2 A	5 A	3/4"
32903-24V	Cartridge Bilge Pump 1000 GPH 24V	50 l/min - 800 GPH	63 l/min - 1000 GPH	2 A	3 A	3/4"
42123*	Cartridge Bilge Pump 1250 GPH 12V	60 l/min - 952 GPH	73 l/min - 1150 GPH	3 A	5 A	1 1/8"
42123-24*	Cartridge Bilge Pump 1250 GPH 24V	60 l/min - 952 GPH	73 l/min - 1150 GPH	2 A	3 A	1 1/8"

* Does not include Dura-Port connection

Body Thermoplastic
Shaft seal Lip seal
Motor Shaft Stainless steel
Wire size 16 GA (1.3mm²)
Height (A) 4.41" (112 mm)
Width (B) 3.46" (88 mm)
Width (C) 3.15" (80 mm)



500 GPH - 1000 GPH

Weight 0.27 kg - 9.6 oz.

1250 GPH

Weight 0.32 kg - 10.4 oz.

ULTIMA COMBO - AUTOMATIC SUBMERSIBLE BILGE PUMP

Ultima Combo bilge pump is equipped with the non-clogging electronic switch *Ultima Switch* for automatic operation. The 500 GPH -1000 GPH pumps has easy-to-install Dura-Port discharge ports to eliminate stress cracking caused by overtightened hose clamps. The pumps will be delivered including both a straight and a 90° smooth elbow Dura-Port as well as a removable check valve. Voltage 12V DC as well as 24V DC for 1000 GPH and 1250 GPH.

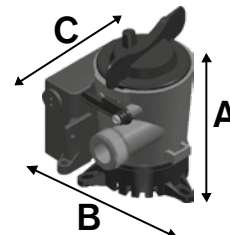


500- 1000 GPH



1250 GPH*

Body Thermoplastic
Shaft seal Lip seal
Motor Shaft Stainless steel
Wire size 16 GA (1.3 mm²)
Height (A) 4.41" (112 mm)
Width (B) 4.25" (108 mm)
Width (C) 3.35" (85 mm)



500 GPH - 1000 GPH

Weight 0.40 kg - 14.4 oz.

1250 GPH

Weight 0.45 kg - 16 oz.

Part No.	Description	Capacity 3 ft (0.9 m) head (13.6V/27.2)	Capacity straight (13.6V/27.2V)	Amperage	Fuse Size	Connection
07503-00	Ultima Combo 500 GPH 12V	33 l/min - 525 GPH	40 l/min - 630 GPH	2.5 A	5 A	3/4"
07703-00	Ultima Combo 750 GPH 12V	44 l/min - 700 GPH	50 l/min - 800 GPH	3 A	5 A	3/4"
07903-00	Ultima Combo 1000 GPH 12V	50 l/min - 800 GPH	63 l/min - 1000 GPH	3.2 A	5 A	3/4"
07904-24VRCE	Ultima Combo 1000 GPH 24V	50 l/min - 800 GPH	63 l/min - 1000 GPH	2 A	3 A	3/4"
08203-00*	Ultima Combo 1250 GPH 12V	60 l/min - 952 GPH	73 l/min - 1150 GPH	3 A	5 A	1 1/8"
08203-24*	Ultima Combo 1250 GPH 24V	60 l/min - 952 GPH	73 l/min - 1150 GPH	2 A	3 A	1 1/8"

* Does not include Dura-Port connection

CARTRIDGE COMBO - AUTOMATIC SUBMERSIBLE BILGE PUMP

Cartridge Combo bilge pump is equipped with a non-clogging electro-magnetic float switch for automatic operation. The 500 GPH - 1000 GPH pumps has easy-to-install Dura-Port discharge ports to eliminate stress cracking caused by overtightened hose clamps. The pumps will be delivered including both a straight and a 90° smooth elbow Dura-Port as well as a removable check valve.

Part No.	Description	Capacity 3 ft (0.9 m) head (13.6V)	Capacity straight (13.6V)	Amperage	Fuse Size	Connection
05503-00	Cartridge Combo 500 GPH 12V	33 l/min - 525 GPH	40 l/min - 630 GPH	2.5 A	5 A	3/4"
05703-00	Cartridge Combo 750 GPH 12V	44 l/min - 700 GPH	50 l/min - 800 GPH	3 A	5 A	3/4"
05903-00	Cartridge Combo 1000 GPH 12V	50 l/min - 800 GPH	63 l/min - 1000 GPH	3.2 A	5 A	3/4"
06203-00*	Cartridge Combo 1250 GPH 12V	60 l/min - 952 GPH	73 l/min - 1150 GPH	3 A	5 A	1 1/8"

* Does not include Dura-Port connection

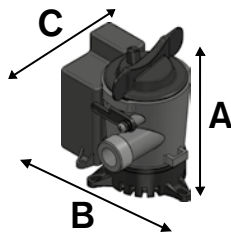


500- 1000 GPH



1250 GPH*

- Body** Thermoplastic
- Shaft seal** Lip seal
- Motor Shaft** Stainless steel
- Wire size** 16 GA (1.3mm²)
- Height (A)** 4.41" (112 mm)
- Width (B)** 4.72" (120 mm)
- Width (C)** 3.3" (84 mm)



500 GPH - 1000 GPH

Weight 0.40 kg - 14.4 oz.

1250 GPH

Weight 0.45 kg - 16 oz.

LOW BOY - SUBMERSIBLE BILGE PUMP

Low Profile pump design for ease of mounting and removal in tight bilge areas. Perfect for vessels with bilge pumps mounted beneath inboard or I/O engines. Removable cartridge style. The 750 GPH Low Boy Bilge pumps has easy-to-install Dura-Port discharge ports to eliminate stress cracking caused by over-tightened hose clamps. The pumps will be delivered including both a straight and a 90° smooth elbow. Use 36152 magnetic switch only.

- Max Length** 146 mm - 5.75"
- Width** 81 mm - 3.2"
- Height** 72 mm - 2.82"
- Wire Size** 1.3 mm² - 16 GA

Part No.	Description	Capacity 3 ft (0.9 m) head (13.6V)	Capacity straight (13.6V)	Amperage	Fuse Size	Connection
33703	Low Boy Bilge Pump 750 GPH 12V	44 l/min - 700 GPH	50 l/min - 800 GPH	3 A	5 A	3/4"
33103*	Low Boy Bilge Pump 1250 GPH 12V	60 l/min - 952 GPH	73 l/min - 1150 GPH	3 A	5 A	1 1/8"

* Does not include Dura-Port connection



750 GPH



1250 GPH*

SHOWER SUMP MULTIPOINTS

This compact shower sump system is designed to meet the higher demands from today's boating industry where more equipment is used. Includes the fresh water system onboard and involves showers, dishwashing machines, galley sinks, etc. The shower sump turns on/off automatically using our Ultima switch technology and has multiple inlet ports for handling waste water from more than one tapping point. The check valve on the outlet stops water from flowing back into the tank. The tank has a tight-fitting lid to minimize splashing and odors. To further aid in cleaning, the system includes an easily removable mesh filter.



Part No.	Description	Capacity 1.0 m head (13.6V/27.2V)	Capacity straight (13.6V/27.2V)	Amperage	Fuse Size	Intake connection	Discharge connection
57151	Shower Sump Multipoints 1000 GPH 12V	53 l/min - 844 GPH	61 l/min - 972 GPH	3.4 A	5 A	1x 3/4", 1x 3/4" or 1x1"	3/4"
57151-24	Shower Sump Multipoints 1000 GPH 24V	53 l/min - 844 GPH	61 l/min - 972 GPH	2 A	3 A	1x1 1/8" or 1x1 1/2"	3/4"

- Length x Width** 280x210 mm - 11.42x8.26"
- Max height** 140 mm - 5.7"
- Weight** 0.9 kg - 2 lbs

Part No.	Spare Parts Shower Sump
54304PK	Clear Sump Cover
28512	Cartridge Motor 1000 GPH 12V
28512-24V	Cartridge Motor 1000 GPH 24V
36303	Electronic Automatic Switch - Ultima Switch, 12/24V

ULTIMA BILGE – AUTOMATIC SUBMERSIBLE BILGE PUMP WITH INTEGRATED SWITCH



600-1000 GPH



1250 GPH*
Exl. Duraports

Sleek, reliable and compact unit with integrated switch ready to install and run for years and years of unerring service. Available in 600, 800, 1000 and 1250 GPH versions. For Ultima Bilge™ 600 GPH to 1000 GPH, we have easy-to-install Dura-Port discharge ports to eliminate stress cracking caused by over-tightened hose clamps. The pumps are delivered including both a straight and a 90° smooth elbow Dura-Port and a removable check valve.

Part No.	Description	Capacity 3 ft (0.9 m) head (13.6V)	Capacity straight (13.6V)	Amperage	Fuse Size	Connection
32-47258-003	Ultima Bilge 600 GPH 12V with integrated switch	32 l/min - 500 GPH	38 l/min - 600 GPH	2.5 A	5 A	3/4"
32-47259-003	Ultima Bilge 800 GPH 12V with integrated switch	38 l/min - 600 GPH	51 l/min - 800 GPH	3 A	5 A	3/4"
32-47260-003	Ultima Bilge 1000 GPH 12V with integrated switch	44 l/min - 700 GPH	64 l/min - 1000 GPH	3.2 A	5 A	3/4"
32-47261-002*	Ultima Bilge 1250 GPH 12 V with integrated switch	51 l/min - 800 GPH	79 l/min - 1250 GPH	3 A	5 A	1 1/8" and 1 1/4"

*) Does not include 1250 GPH Dura-Port connection

600, 800 & 1000 GPH

Length 142 mm – 6"
Width 82 mm – 3.2"
Height 105 mm – 4.1"
Weight 0.66 kg – 23.3 oz.

1250 GPH

Length 142 mm – 6"
Width 82 mm – 3.2"
Height 117 mm – 4.6"
Weight 0.66 kg – 23.3 oz.

ACCESSORIES

Part No.	Description
54315PK	Low basket 600-1250 GPH Ultima Bilge Pump

PROLINE - SUBMERSIBLE BILGE PUMP



Features an efficient, water-cooled motor with greater torque and less power consumption; a tough resin housing which resists shock, detergents, fuel and corrosives; a rugged impeller and a quick release bracket.

Part No.	Description	Capacity 3 ft (0.9 m) head (13.6V)	Capacity straight (13.6V)	Amperage	Fuse Size	Connection
22502	Proline Bilge Pump 500 GPH 12V	33 l/min - 525 GPH	40 l/min - 630 GPH	2.5 A	5 A	3/4"
22702	Proline Bilge Pump 750 GPH 12V	44 l/min - 700 GPH	50 l/min - 800 GPH	3 A	5 A	3/4"
22102	Proline Bilge Pump 1000 GPH 12V	60 l/min - 952 GPH	73 l/min - 1150 GPH	3.2 A	5 A	3/4"

FIRST MATE HIGH PERFORMANCE- SUBMERSIBLE BILGE PUMP



Designed specifically for Pontoon livewell and PWC Bilge applications. Where space is at a premium and ease of maintenance is desired. Easy to plumb 90 degree Dura port makes short work of challenging hose routing.

Part No.	Description	Capacity straight (13.6V)	Amperage	Fuse Size	Connection
21405HP	First Mate HP 400 GPH 12V	30 l/min - 400 GPH	2.5 A	5 A	3/4"

FIRST MATE - SUBMERSIBLE BILGE PUMP



A low budget alternative designed for long life and high performance capacity. The low cost choice for boat owners who still look for quality.

Part No.	Description	Capacity straight (13.6V)	Amperage	Fuse Size	Connection
JP-21405	First Mate 400 GPH 12V	30 l/min - 400 GPH	2.5 A	5 A	3/4"

Max Ø 115 mm – 4.5"
Max height 100 mm – 4"
Weight 0.35 kg – 12 oz.

Manual Bilge Pumps

VIKING COMPACT - MANUAL HAND-POWERED BILGE PUMP

Full-capacity, hand-powered bilge pump perfect for installation in tight spaces. This rugged, yet sleekly designed, single-chamber diaphragm pump provides first-rate performance and is a snap to install. It can be fitted in minutes from one side of the bulkhead with just four screws, self-sealing against the surface with a durable, watertight gasket. With the pump house recessed behind the bulkhead, only the handle is visible from the cabin or cockpit.

The Viking Compact's inlet and outlet ports can be swiveled 360° and are delivered in two sizes with every pump, Ø 25mm (1") and Ø 38mm (1½"). Naturally, the Viking Compact has KlickTite™ connectors fitted as standard, literally making hose connections a snap!

Part No.	Description	Connection
10-24800-01	Viking Compact Manual Bilge Pump	Ø 25 mm (1") and Ø 38 mm (1½") ports

Body	Polypropylene	Maximum head	1.2 meters (4 feet)
Cover	ABS	Combined head/lift	3.3 meters (10.8 feet)
Diaphragm	Nitrile rubber	Connections included	KlickTite™ connectors for 1" (25 mm) or 1½" (38 mm) hose
Valves	Nitrile rubber (1 leaf and 1 tricuspid valve)	Max. liquid temp	+60°C (140°F)
Wetted parts	Polypropylene, PA66GF30 plastics and nitrile rubber	Weight	0.675 kg (1.5 pounds)
Maximum lift	2.1 meters (7 feet)		

Viking Compact - Flow at 10 kPa head and 45 strokes/min

Ø 25 mm connections	34,5 liters/minute (9.1 US gallons/minute)
Ø 38 mm connections	45 liters/minute (11.9 US gallons/minute)



VIKING UNIVERSAL - MANUAL HAND-POWERED BILGE PUMP

Heavy duty, self-priming, hand-powered bilge pump for nearly any type of installation. Viking Universal's mounting bracket allows for vertical or horizontal surface mounting. With the optional Through Deck kit the pump can be installed behind bulkheads or below the deck.

To minimize required space the Viking Universal excels at adaption. The simple switching of the valves together with the connections allows you to choose flow direction. The included KlickTite™ straight and 90° hose connections can be used in combination. The hose connections and even the pump housing can easily be rotated for optimal positioning.

While designed as a powerful bilge pump, the Viking Universal's large Ø 38 mm (1½") valves enable the pump to also be used for pumping toilet waste. Fasteners are included for stowing the handle and the safety clasp ensures that the handle cannot be lost while not in use or during an emergency situation.

Part No.	Description	Connection
10-13530-01	Viking Universal Manual Bilge Pump	Ø 38 mm (1½")
09-36250	Viking Universal, Through Deck Kit	

Body and cover	Polypropylene plastic reinforced with 30% fiberglass
Diaphragm and valves	Nitrile rubber
Wetted parts	PP30GF, PA66 GF30, POM, stainless steel, nitrile rubber
Maximum suction	3 meters (10')
Maximum head	4 meters (13')
Combined suction/head	7 meters (23')
Connection	KlickTite™ connectors 38 mm (1½") hose. Both straight and 90° bends are included
Max. liquid temp	+60°C (140°F)
Weight	1.5 kg (3.3 lbs)

Viking Universal

At 45 strokes/min and a 1 m (3.28') head (10 kPa (1.45 psi) pressure). The Viking Universal has a flow of 60 l/min - 16 GPM.



09-36250



VIKING HAND PUMP THRUDECK AND BULKHEAD - HAND POWERED DIAPHRAGM BILGE PUMP

When the power is out you can always depend on the hand operated diaphragm bilge pump. The pump is available in two models for various installation alternatives. It can be mounted behind walls, through deck and under bulkheads. Viking Thru Deck for installation behind vertical wall or under deck with sealing boot, complete with a cover plate. Viking Bulkhead for surface installation with horizontal lever. The Viking pump can also be used for pumping toilet waste due to the large valve openings.

Part No.	Description	Diameter Ø	Capacity data
70-50005	Viking Hand Pump Thru Deck 1 1/2"	164 mm – 6.45"	(At 1 m/3.28' suction height: 0.9 l/stroke)
70-50025	Viking Hand Pump Thru Deck 1"	Handle length 285 mm – 11.22"	60 strokes/min 54 l/min – 14.5 GPM
70-50007	Viking Hand Pump Bulkhead 1 1/2"	Width 253 mm – 9.96"	80 strokes/min 72 l/min – 19 GPM
70-50027	Viking Hand Pump Bulkhead 1"	Height 133 mm – 5.23"	100 strokes/min 90 l/min – 24 GPM
		Weight 2 kg – 4.5 lbs	Max suction height 4 m – 13 ft



HAND PUMP

Light tough durable easy handling, extra fast pumping hand pumps are ideal stow aboard. Comfortable handle grip and extra large capacity makes manual pumping somewhat less of a chore. Ideal for emergency pumping and where electrical current is not available.

Part No.	Description
20195	Hand Pump 18" (46 mm) 8 strokes per gallon
20255	Hand Pump 25" (63,5 mm) 6 strokes per gallon
20375	Hand Pump 36" (91 mm) 4 strokes per gallon

Accessories & Spare Parts - Bilge Pumps

BILGE PUMP CONTROL

Switch panel that gives full control of your equipment. Just push the button for manual or automatic bilge pumping. The automatic feature operates in combination with the automatic bilge switches or the electronic float switch. The three-position switch panel in matt black finish has an integrated fuse holder and operating light. **Fuses are not included.**

Part No.	Description
82004	Bilge Pump Control 12V 2-Way ON OFF
82004-24V	Bilge Pump Control 24V 2-Way ON OFF
82044	Bilge Pump Control 12V 3-Way ON AUTO OFF
82044-24V	Bilge Pump Control 24V 3-Way ON AUTO OFF

Size:
73 mm/2.99" x 60 mm/2.17" 40 mm/ 1.57" depth



2 Way Bilge Pump Control



3 Way Bilge Pump Control

BILGE ALERT™ - HIGH WATER ALARM WITH ULTIMA SWITCH

High water alarm with Ultima Switch featuring digital technology using the patented Mirus field effect. Totally sealed fluid detector are never in contact with water, will not corrode and are not affected by oil or debris. Bilge Alert detects water and sends a signal (3 seconds delay) to the alarm and switch conveniently mounted on a panel. Three way rocker switch allows alarm to be tested, turned off and armed (Test-Off-Armed).

Part No.	Description
72303-001	Bilge Alert, High Water Alarm with Ultima Switch 12V
72303-002	Bilge Alert, High Water Alarm with Ultima Switch 24V



Bilge Alert w/ Ultima Switch

12V: 72303-001 / 24V: 72303-002

BILGE ALERT™ - HIGH WATER ALARM WITH SENSOR

The Bilge Alert high water detection alarm utilizes field effect technology to detect presence of liquid. The detector is highly reliable, durable and takes advantage of advanced sensor technology. The detector activates an alarm of 100 db after a delay of 8 seconds after being exposed to water.

Part No.	Description
72303	Bilge Alert, High Water Alarm with sensor 12V



Bilge Alert w/ sensor

BILGE PUMP COUNTER

Easy to read and resettable bilge pump counter. Check frequency of bilge pump operation to head off potential issues down the road.

Part No.	Description
JP-83000	Bilge Pump Counter



SIDE MOUNT BRACKET

Part No.	Description
10605-00	90° Side Mount Bracket

10605-00



SPARE PARTS FOR 500-1000 GPH

Part No.	Description
92105	DuraPort Straight, assembled port fitting
92205	DuraPort 90°, assembled port fitting
51123PK	Flow Rite, Straight, Quick Connect, male
51124PK	Flow Rite, 90°, Quick Connect, male

SPARE PARTS FOR 1250, 1600, 2200 GPH

Part No.	Description
10606-00	1 1/8" Threaded Discharge Port 1600/2200
10607-00	1 1/4" Threaded Discharge Port 1600/2200
54061-24PK	1" Threaded Discharge Port 1600/2200

CHECK VALVES FOR 600-1250 GPH

Check Valve Flapper and Check Valve Washer available on request.

CARTRIDGE MOTOR - REPLACEMENT PUMP

Upgrade the output of your bilge pump in a matter of a few minutes by replacing the cartridge. Cleaning debris from the impeller has never been simpler or easier.

Part No.	Description
28552	Cartridge Motor 500 GPH 12V
28572	Cartridge Motor 750 GPH 12V
28512	Cartridge Motor 1000 GPH 12V
JP-42522	Cartridge Motor 1250 GPH 12V



STRAINER/ VALVE/ Y-CONNECTION

IN-LINE NON-RETURN VALVE

Part No.	Description	Connection
09-24792	In-Line Non-Return Valve	25/38 mm (1" / 1 1/2")
09-24818	In-Line Non-Return Valve	19/32 mm (3/4" / 1 1/4")

- Designed to install in-line
- Maintains prime in a suction or discharge line
- Easy to maintain and clean without any tools
- Designed to prevent bilge debris blocking the inlet suction line
- Reduce the risk of debris entering and blocking the pump
- Maintain prime in the suction line
- Easy to maintain and clean without any tools



BILGE STRAINER WITH NON-RETURN VALVE

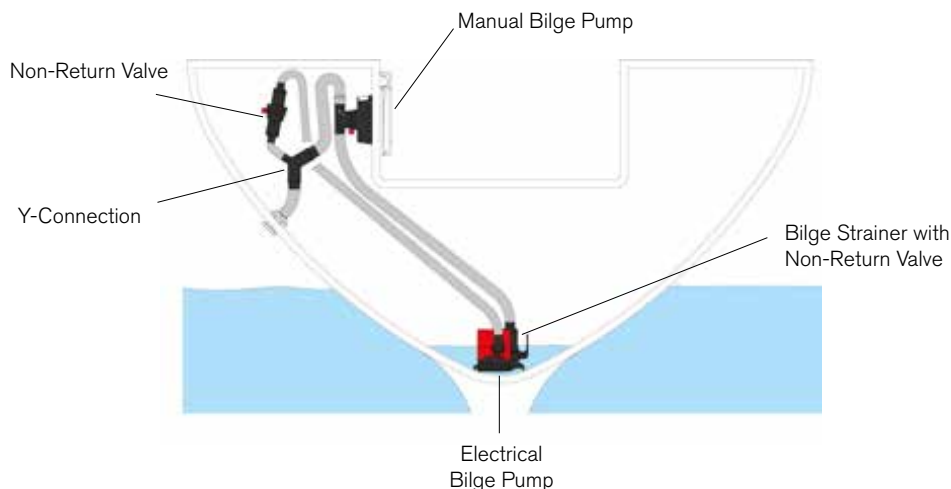
Part No.	Description	Connection
09-24794	Strainer	19/32 mm (3/4" / 1 1/4"), 25/38 mm (1" / 1 1/2")

Y-CONNECTION

Part No.	Description
01-24814	Y-connection 38X38X25
01-24815	Y-connection 29/32X29/32X19

- Y-connections enable two pumps to discharge through a single line.
- Diverter valve is not required.

Bilge Pump Systems - Manual and Electrical Bilge Pumps in Combination



Bilge Pump Switches



ULTIMA SWITCH™ - ELECTRONIC AUTOMATIC SWITCH

The electronic automatic switch Ultima Switch™ uses the patented Mirus field effect detector cells producing micro-electrical fields that detect disruptions caused by water and fluids. Detector cells are totally sealed and are never in contact with the water, will not corrode and are not affected by oil or foreign debris.

No moving parts, totally sealed solid state electronics and field detectors, no mercury and no exposed sensors eliminate corrosion possibilities and makes the Ultima Switch™ environmentally sensitive.

Ultima Switch™ activates at a 50 mm (2") fluid level and deactivates at a 20 mm (¾") fluid level. A three second delay prevents false starts.

Ultima Switch™ is rated to handle pumps up to 20A at 12V or 24V.

Part No.	Description	Max Amp.
36303	Ultima Switch™ Electronic Automatic Switch 12/24V (incl. base)	20 A
54239	Base, for Ultima Switch™	



ELECTRO-MAGNETIC FLOAT SWITCH

Compact mechanical switch offers a combination of reliable solid state electronics and a sealed float switch. False start prevention, no mercury, high impact plastic and encapsulated electronics adds up to dependability.

Activates pump at 2" water level, deactivates pump at ¾" water level.

The switch is designed to attach to the SPX FLOW Johnson Pump Cartridge bilge pumps. When attaching to other SPX FLOW Johnson Pump bilge pumps, use the adapter provided.

Part No.	Description	Max Amp.
36152	Electro-Magnetic Float Switch, 12V	15 A
36252	Electro-Magnetic Float Switch, 24V	8 A



AS888 - AUTOMATIC FLOAT SWITCH

The AS888 automatic switch has a time-proven micro switch without mercury.

When water exceeds the acceptable level, the pump is turned on by a rolling steel ball, which changes the pressure on the micro switch. For full automatic bilge pumping operation, connect the automatic switch to your bilge pump.

The AS888 attaches to any SPX FLOW Johnson Pump bilge pump through the clip on "T-slot" and can be used with 6, 12, 24 or 32V systems.

Part No.	Description	Max Amp.
26014	AS888 Automatic Float Switch	15 A



Fishing Livewell Pumps and Accessories

Photo: Carolina Skiff



Leading the way, SPX FLOW Johnson Pump has a full assortment of Livewell and Aerator pumps to meet the demanding needs of recreational and professional fisherman worldwide. Easy to clean and maintain replaceable motor cartridges. Pump styles in straight, 90 degree and sea cock installations available in flow rates from 500 GPH to 1600 GPH.

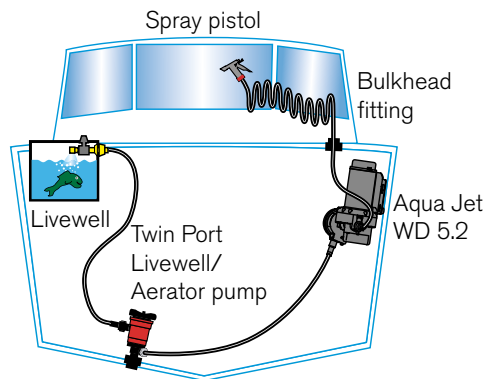
A variety of accessories to complete that livewell installation including wash down kits, ice chest aerators, spary bars, and thru hull fittings.

When you think livewell pumps - think SPX FLOW Johnson Pump.



EN55014
ISO8849
ISO10133

Fishing Livewell Pumps and Accessories



TWIN PORT - AERATOR PUMP

Offer the convenience of using only one intake for both the livewell and raw water wash down pump. The 3/4" tapered inlet connects directly to the sea cock and the upper outlet port provides a continuous flow of water through the 3/4" discharge to the livewell while the lower outlet port connects to the wash down pump through either a 1/2" or 3/4" ports. High pressure inlet seal easily handles the higher pressures created by high speed pickups commonly used.

Part No.	Description
48503	Twin Port Aerator Pump 500 GPH 12V
48703	Twin Port Aerator Pump 750 GPH 12V
48903	Twin Port Aerator Pump 1000 GPH 12V
48103	Twin Port Aerator Pump 1250 GPH 12V*

*1 1/8" discharge to livewell. Does not include Dura-Port.

CARTRIDGE - AERATOR PUMP

Livewell pumps in 500, 750, 1000 and 1250 GPH capacities with two different intake configurations of straight and 90°. Smaller profiles to fit in more confined spaces. Easy to change motor cartridge.



Part No.	Description
28503	Cartridge Aerator Pump 500 GPH 12V Straight
38503	Cartridge Aerator Pump 500 GPH 12V 90°
28703	Cartridge Aerator Pump 750 GPH 12V Straight
38703	Cartridge Aerator Pump 750 GPH 12V 90°
28103-00	Cartridge Aerator Pump 1000 GPH 12V Straight
38103	Cartridge Aerator Pump 1000 GPH 12V 90°
28123*	Cartridge Aerator Pump 1250 GPH straight
38123*	Cartridge Aerator Pump 1250 GPH 12V 90°

* 1 1/8" outlet. Does not include Dura-Port.

Part No.	Description
54033	Thru hull nut for Cartridge Aerator Pumps 3800/2800 Straight and 90°

Part No.	Description
61125	Variable Livewell Timer
82054	Livewell Control Panel 12V



AQUA JET WASH DOWN/LIVEWELL PUMP KIT 5.2

A wash down kit including a high capacity Aqua Jet WD 5.2, 5 bar (70 psi) pump, a 500 GPH Twin Port Livewell Pump, PUMProtector inlet strainer, spray pistol, bulk head fitting with valve, 7.5 meters (25') of coiled wash down hose and two illuminated panel switches all in one package. The Aqua Jet Wash Down/Livewell Pump kit makes it easy to add a wash down and livewell pump to any boat.



Part No.	Description
64634	Aqua Jet WD 5.2 500 GPH 12V Livewell

PRO SERIES LIVWELL/BAITWELL - AERATOR PUMP

Features heavy duty bronze bottom inlet, 1600 GPH of pumping power, dual port capability, mega torque motor, double ball bearings, quiet running design, 1" NPT female intake. Built for the serious fisherman.



Part No.	Description	Capacity straight (13.6V/27.2V)	Capacity 3 ft (0.9 m) head (13.6V/27.2V)	Amperage	Fuse Size	Connection
16004B	Pro Series Aerator Pump 1600 GPH 12 V	1600 GPH	1550 GPH	7 A	10 A	1 1/8" and 1 1/4"
16004B-24	Pro Series Aerator Pump 1600 GPH 24 V	1600 GPH	1550 GPH	3.5 A	6 A	1 1/8" and 1 1/4"

* Replacement for Pro Series (not including bronze base) 16004-00 12V Heavy Duty Bilge Pump, 16084-00 24V Heavy Duty Bilge Pump

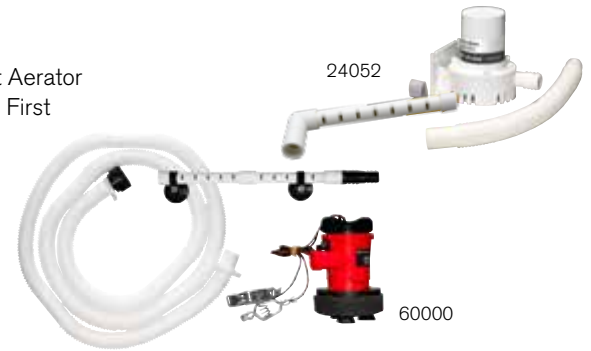
SPARE PARTS

Part No.	Description
10606-00	1 1/8" Threaded Discharge Port 1600 GPH/2200 GPH
10607-00	1 1/4" Threaded Discharge Port 1600 GPH/2200 GPH

ICE CHEST - AERATOR KIT

Converts any good sized ice chest (Esky) into your own portable live bait tank. The Ice Chest Aerator will keep your live bait alive, or catch fresh, even during the heat of the day. Includes a sturdy First Mate bilge pump, hose, spray bar, press on clamp, battery clamps and clear-cut instructions. Since there are no holes to drill the chest can always be returned to its original purpose.

Part No.	Description
24052	Ice Chest Aerator kit
60000	Cartridge style Aerator kit, complete with Batt. clips, Head, Mounting Feet



IN-WELL - AERATOR KIT

The easiest way to add oxygen to your live bait well. Use it as your primary aerator, or to recirculate while you are making a long run across the bay, or if you are trailing the boat, you can stop for fuel and be aerating your catch while the boat is on the trailer. A dependable 500 GPH Cartridge pump forces water through the aerating head to provide vital oxygen for respiration ensuring your bait stays fresh longer. To empty the well at the end of the day, merely open the valve, activate the pump and water passes through a discharge fitting.

Part No.	Description
34024	In-well Aerator kit



BASSPIRATOR LIVWELL - AERATOR KIT

Basspirator pumps are designed for serious fishermen who need frequent circulation of fresh water into their livewells and baitwells. As clean water is pumped into the livewell, water and debris pass through the overflow fitting. The kit includes cartridge, 500 GPH Cartridge pump, 7 ft. of 3/4" hose, aerating head, two 1-1/2" overflow fittings and hose, illuminated fuse switch and hose clamps.

Part No.	Description
34014	Basspirator Livewell Aerating kit



AQUA JET WPS - BAITWELL PUMP

Designed for self priming water transfer to keep bait alive and active. Quiet five chamber design.

Part No.	Description	Capacity	Pressure Cut Off	Fuse Size	Connection
10-24677-03	Aqua Jet WPS 2.4 GPM 12V Baitwell Pump	9 l/min - 2.4 GPM	N/A	10 A	3/8" NPT / hose 1/2"; 1/2" - 14 NPSM
10-13252-103-BW	Aqua Jet WPS 4.0 GPM 12V Baitwell Pump	13L/min / 3.5 GPM	N/A	10 A	3/8" NPT / hose 1/2", 1/2" NPT / hose 3/4"; 1/2" NPT, 3/4" hose
10-13252-107-BW	Aqua Jet WPS 5.2 GPM 12V Baitwell Pump	20L/min / 5.2 GPM	N/A	15 A	GHT, 1/2" NPT x 3/4" hose



AERATOR HEADS

Spray head assemblies can be custom made to required fit, size and flow capacity.

A variety of shapes, configuration and options allow us to build these aerating heads to your specifications. Prototyping kits available. Shown here are some of the more popular sizes and configurations.

Part No.	Description
70195	Valve Assembly – overall length 5¾", two ¾" barbs, shut off valve
90061	Aerator Head – overall length 9"
90191-00	Aerator Head – overall length 13¾" thru-hull, one shut off valve
90261	Aerator head – 2 piece assembly, 8" spray bar with ¾" barb and 6" shut off assembly with ¾" barb and ¾" thru-hull
90331	Aerator Head – overall length 12¾", ¾" thru-hull, one shut off valve
90511	Aerator head – overall length 9¾", ¾" thru-hull, one shut off valve
90681-00	Aerator head – overall length 10½", ¾" barb, shut off valve w/bracket
90791	Aerator head – overall length 6¾", ¾" thru-hull, shut off valve

THRU-HULLS

Super tough and durable molded UV stabilized glass coupled polypropylene thru-hulls will not corrode or discolor and are not susceptible to electrolysis.

Part No.	Description
75035-00	Thru-hull ¾" 90° white
75095	Thru-hull ¾" white
75125	Thru-hull 1 ⅛" white

ACCESSORIES

Part No.	Description
71245	Transom Shims

Part No.	Description
74105-00	Strainer Filter

Part No.	Description
77125	Intake Filter





FIP DC Pumps for Bilge, Deckwash & Refueling

CRANCHI
Boatbuilder since 1870

Photo: Cranchi



With their high level of flexibility, these pumps are ideally suited for use in boats as bilge and deckwash pumps, fresh water pumps, refuelling pumps for oil and diesel. These pumps may be combined with a vacuum switch for automatic operation.

Capacities vary from max 15 l/min to 55 l/min, allowing the proper matching of the pump to the application.

All motors are heavy duty to provide long service life even under heavy use. Available in 12 or 24 volts.



F2P10-19, F3B-19, F4B-19, F4B-11

EN50082-1

EN55014-1

IEC801-2

IEC801-3

ISO8846

ISO8849

ISO10133

F5B-19 12/24 V

EN55014

ISO8846

Johnson Pump®

DC driven Flexible Impeller Pumps



F2P10-19 – CAPACITY 15 L/MIN 4 GPM

Fully equipped, self-priming multipurpose pump operating on a simple and uncomplicated principle. Ideal for pumping water, oils and chemicals.

Part No.	Description	Body	Impeller	Seal	Connection	Length	Width	Height	Weight
10-24886-01	F2P10-19, 12V	PA	09-1077B-9	Lip seal	½" hose	172 mm – 6.8"	117 mm – 4.6"	78 mm	1,6 kg – 3.5 lbs
10-24886-02	F2P10-19, 24V	PA	09-1077B-9	Lip seal	½" hose	172 mm – 6.8"	117 mm – 4.6"	78 mm	1,6 kg – 3.5 lbs



F3B-19 – CAPACITY 21 L/MIN 5.5 GPM

Perfect for bilge pumping, deckwash, water circulation, oil and diesel refuelling at dockside service, etc.

Part No.	Description	Body	Impeller	Seal	Connection	Length	Width	Height	Weight
10-24516-03	F3B-19, 12V	Bronze	09-843S-9	Lip seal	¾" NPT	170 mm – 6.7"	113 mm – 4.4"	82 mm – 3.22"	2 kg – 4.5 lbs
10-24516-04	F3B-19, 24V	Bronze	09-843S-9	Lip seal	¾" NPT	170 mm – 6.7"	113 mm – 4.4"	82 mm – 3.22"	2 kg – 4.5 lbs



F3B-19 OIL CHANGE – CAPACITY 21 L/MIN 5.5 GPM

Reversible rubber impeller pump with integrated quick reversing switch. Designed to remove old oil from the engine/fill new oil back into the engine.

Part No.	Description	Body	Impeller	Seal	Connection	Length	Width	Height	Weight
10-24760-03	F3B-19 Oil change, 12V	Bronze	09-843S-9	Lip seal	¾" NPT	70 mm – 6.7"	113 mm – 4.4"	115 mm – 4.5"	2,1 kg – 4.5 lbs
10-24760-04	F3B-19 Oil change, 24V	Bronze	09-843S-9	Lip seal	¾" NPT	70 mm – 6.7"	113 mm – 4.4"	115 mm – 4.5"	2,1 kg – 4.5 lbs



F38B-19 – CAPACITY 35 L/MIN 9 GPM

Perfect for bilge pumping, deckwash, water circulation, oil and diesel refuelling at dockside service, etc.

Part No.	Description	Body	Impeller	Seal	Connection	Length	Width	Height	Weight
10-24727-03	F38B-19, 12V	Bronze	09-824P-9	Lip seal	Hose 1" / ½" NPT	180 mm – 7"	120 mm – 4.72"	90 mm – 3.54"	3 kg – 6.6 lbs
10-24727-04	F38B-19, 24V	Bronze	09-824P-9	Lip seal	Hose 1" / ½" NPT	180 mm – 7"	120 mm – 4.72"	90 mm – 3.54"	3 kg – 6.6 lbs



F4B-19 – CAPACITY 48 L/MIN 12.5 GPM

Perfect for bilge pumping, deckwash, water circulation, oil and diesel refuelling at dockside service, etc.

Part No.	Description	Body	Impeller	Seal	Connection	Length	Width	Height	Weight
10-24689-03	F4B-19, 12V	Bronze	09-824P-9	Lip seal	Hose 1" / ½" NPT	202 mm – 8"	120 mm – 4.72"	90 mm – 3.54"	3 kg – 6.6 lbs
10-24689-04	F4B-19, 24V	Bronze	09-824P-9	Lip seal	Hose 1" / ½" NPT	202 mm – 8"	120 mm – 4.72"	90 mm – 3.54"	3 kg – 6.6 lbs



F4B-11 ULTRA BALLAST – CAPACITY 52 L/MIN 13.5 GPM SKI/WAKEBOARD

Designed to quickly fill or, when reversed, drain a ballast tank at a rate of more than 45 l/min (12 GPM). Capable of pumping fresh or sea water the pump's robust design can handle the rigors of continuous duty usage, is reversible, and has a built in thermal overload for added protection. Polarity reversing switch kit (Part No. 09-47196) available as accessory. *Note! Only for waterhandling.*

Part No.	Description	Body	Impeller	Seal	Connection	Length	Width	Height	Weight
10-24690-03EZ	F4B-11 Ultra Ballast, 12 V	Bronze	09-824P-1EZ	Lip seal	Hose 1" / ½" NPT	202 mm – 8"	120 mm – 4.72"	90 mm – 3.54"	3 kg – 6.6 lbs
10-24690-04EZ	F4B-11 Ultra Ballast, 24 V	Bronze	09-824P-1EZ	Lip seal	Hose 1" / ½" NPT	202 mm – 8"	120 mm – 4.72"	90 mm – 3.54"	3 kg – 6.6 lbs
09-824P-1EZ	Impeller kit F4 EZ Polyurethane Ballast Pump (EU- Part no. 09-824P-2)								



F5B-19 – CAPACITY 55 L/MIN 14.5 GPM

For bilge pumping, deckwash, water circulation, oil and diesel refuelling at dockside service, etc.



Part No.	Description	Body	Impeller	Seal	Connection	Length	Width	Height	Weight
10-24188-4	F5B-1907 12 V	Bronze	09-1027B-9	Mechanical seal	¾" NPT	258 mm – 10.15"	131 mm – 5.15"	120 mm – 4.72"	8kg/17.5lbs
10-24188-5	F5B-1907 24 V	Bronze	09-1027B-9	Mechanical seal	¾" NPT	258 mm – 10.15"	131 mm – 5.15"	120 mm – 4.72"	8kg/17.5lbs

PRESSURE AND CAPACITY DATA (BASED ON WATER AT 20 °C/68 ° F)

F2P10-19						Ampere Draw	
Bar	kPa	psi	l/min	GPM		12 V	24 V
Count. Duty							
0	0	0	15.0	4.0		5.6	4.0
0.1	10	1.45	14.5	3.8		5.7	4.0
0.2	20	2.90	14.0	3.7		5.8	4.1
0.3	30	4.35	13.5	3.6		5.9	4.1
0.6	60	8.7	11.0	2.9		6.1	4.2
Intermittent Duty							
0.75	75	10.8	9.6	2.5		6.5	4.3
0.9	90	13.0	7.0	1.8		6.5	4.8
Fuse Required						15 A	8 A

F3B-19						Ampere Draw	
Bar	kPa	psi	l/min	GPM		12 V	24 V
Count. Duty							
0	0	0	21.0	5.5		8.4	4.0
0.1	10	1.45	20.5	5.4		8.5	4.0
0.2	20	2.9	20.0	5.3		8.6	4.1
0.3	30	4.35	19.5	5.2		8.8	4.1
0.6	60	8.7	17.8	4.7		9.0	4.2
Intermittent Duty							
0.9	90	13.0	15.6	4.1		9.6	4.3
1.2	120	17.4	12	3.2		10.3	4.8
Fuse Required						15 A	8 A

F3B-19						Ampere Draw	
Bar	kPa	psi	l/min	GPM		12 V	24 V
Count. Duty							
0	0	0	35.0	9.2		10.9	5.0
0.1	10	1.45	33.8	8.9		11.0	5.1
0.2	20	2.9	32.2	8.5		11.0	5.1
0.3	30	4.35	31.0	8.2		11.1	5.2
0.6	60	8.7	25.5	6.7		11.9	5.4
Intermittent Duty							
0.9	90	13.0	15.3	4.0		13.6	6.0
1.2	120	17.4	2.0	0.5		15.8	7.1
Fuse Required						15 A	8 A

F4B-19						Ampere Draw	
Bar	kPa	psi	l/min	GPM		12 V	24 V
Count. Duty							
0	0	0	48.0	12.7		12.2	6.5
0.1	10	1.45	45.0	11.9		12.3	6.7
0.2	20	2.9	44.5	11.7		12.2	6.8
0.3	30	4.35	41.0	10.8		13.1	7.1
0.6	60	8.7	34.0	9.0		14.9	7.5
Intermittent Duty							
0.9	90	13.0	25.0	6.6		16.5	7.8
1.2	120	17.4	11.0	2.9		18.3	8.8
Fuse Required						15 A	8 A

F5B-19						Ampere Draw	
Bar	kPa	psi	l/min	GPM		12 V	24 V
Count. Duty							
0	0	0	55.0	14.5		23.2	11.9
0.3	30	1.45	49.4	13.1		24.2	12.8
0.6	60	8.7	39.9	10.5		25.1	13.3
0.9	90	13.0	30.1	8.0		26.2	14.0
1.2	120	17.4	19.3	5.1		28.0	14.7
1.5	150	21.76	9.3	2.4		29.8	15.3
Fuse Required						50 A	25 A
Recommended wire size						16 mm ²	6 mm ²

GEAR PUMP WITH OIL CHANGE KIT

Light and compact oil change pump with pump body and gears made of PTFE. Complete with oil dip stick extraction tube 6 and 8 mm (0.236" and 0.315"). 180 cm (70.9") connection wires with battery clamps.

Port connection: Outlet: 14 mm (0.551") hose Inlet: 8 mm (0.315") hose
 Self priming: Up to 1 m (3.28 feet)
 Capacity: 8 l/min (2.11 GPM)
 Dimension: 140 x 80 mm (5.51" x 3.15")
 Weight: 1.1 kg
 Fuse size 12V: 8 A
 Fuse size 24V: 6 A



Part No.	Description
80-47508-01	Gear Pump with Oil Change Kit 12V
80-47508-02	Gear Pump with Oil Change Kit 24V
65000	Oil Change Kit with pail gear pump 12V

ACCESSORIES

POLARITY REVERSING SWITCH KIT FOR ULTRA BALLAST PUMP F4B-11

Part No.	Description
09-47196	Polarity Reversing Switch Kit



VACUUM SWITCH

Part No.	Description
09-45053	Vacuum Switch



DECKWASH KIT

Part No.	Description
09-46553	Deckwash Kit for F4B-19 (incl. pressure switch, check valve and trigger nozzle)





Circulation Pumps

Photo: Nord West

Discover the Circulation Pumps from Johnson Pump to meet the demands for heating and cooling systems on boats, trains, buses, commercial vehicles, recreational vehicles and motorhomes.



Contact us for information about latest standards for Circulation pumps.

Type	Key Features	Benefits and Advantages
CM100, CM90BL	Brushless Motor	<ul style="list-style-type: none"> Offers long life expectancy of 20 000+ hours. Potted electronics (electronics submerged in compound) Conformal coating on electric components
CM100, CM90BL, CM90, CM30, CM10	Magnetically driven	<ul style="list-style-type: none"> No leakage, which is common from mechanical seal pumps Long life expectancy Withstands dry running for up to 30 minutes (25 minutes CM100)
CM100	Higher IP classification (IP6K9K)	<ul style="list-style-type: none"> Reliable function in toughest environments Water-proof as well as dust-proof Withstands high pressure/steam jet cleaning
CM90BL, CM90, CM30, CM10	Higher IP classification (IP67)	<ul style="list-style-type: none"> Reliable function in toughest environments Water-proof as well as dust-proof Withstands powerful water jets used during maintenance and even submersion up to 30 minutes
CM100, CM90BL, CM90, CM30, CM10	UN R10 - EMC	<ul style="list-style-type: none"> Reliable function in toughest environments Complies with relevant EMC regulations and directive(s) Increased reliability, reduced warranty issues and service costs
CM100, CM90BL, CM90, CM30, CM10	Superior permanently lubricated bearings	<ul style="list-style-type: none"> Allows continual operation of 20 000+ hours (CM100, CM90BL) Allows continual operation up to 10 000 hours (CM90) Allows continual operation up to 5 000 hours (CM10/CM30)
CM30, CM10	Small footprint	<ul style="list-style-type: none"> Direct replacement for OE intercooler circulation pump Perfect for Turbocharged or Supercharged Intercooler applications

DC driven Circulation Pumps

Johnson Pump offers a high quality range of circulation pumps to meet the demands for heating and cooling systems on boats, trains, buses, commercial vehicles, recreational vehicles and motorhomes.

CM100HP - CIRCULATION PUMP HIGH PRESSURE WITH BRUSHLESS MOTOR

Pump Body	Aluminium, black anodized	System pressure	Max 2,5 bar
Impeller	PPS GF	Port size	Ø 25 and Ø 38
Shaft	Stainless Steel, hardened	Dry running	Max. 25 minutes
Motor	Permanent magnet brushless motor with ball bearings and electronics included (IP6K9K)	Input Power	Max. 475W
Liquid	Water/glycol mixture; max. 60% glycol, fresh water	Mounting	Separate universal bracket for flat surfaces
Liquid temp.	Min. -40°C to Max. +102°C (Min. -40°F to Max. +216°F)		



Ø 25 mm

Ø 25 mm (1")

Part No.	Description	Capacity 1 bar (33.5 ftH ₂ O)*
10-13576-02	CM100HP AL-1BL 27.2V D25	85 l/min at 1 bar (22.5 GPM)

Ø 38 mm (1 1/2")

Part No.	Description	Capacity 1 bar (33.5 ftH ₂ O)*
10-13577-02	CM100HP AL-1BL 27.2V D38	85 l/min at 1 bar (22.5 GPM)

Length	Ø 25 mm 186 mm - 7.3"	Ø 38 mm 191 mm - 7.5"
Width	135 mm - 5.3"	135 mm - 5.3"
Height	179 mm - 7"	179 mm - 7"
Weight	3.9 kg (8.6 lbs)	3.9 kg (8.6 lbs)

*Further information on flow and capacities are available upon on request.

CM100HF - CIRCULATION PUMP HIGH FLOW WITH BRUSHLESS MOTOR

Pump Body	Aluminium, black anodized	System Pressure	Max 2.5 bar
Impeller	PPS GF	Port Size	Ø 38
Shaft	Stainless Steel, hardened	Dry running	Max. 25 minutes
Motor	Permanent magnet brushless motor with ball bearings and electronics included	Input Power	Max. 410W
Liquid	Water/glycol mixture; max. 60% glycol, fresh water	Mounting	Separate universal bracket for flat surfaces
Liquid temp.	Min. -40°C to Max. +102°C (Min. -40°F to Max. +216°F)		



Ø 38 mm

Ø 38 mm (1 1/2")

Part No.	Description	Capacity 0.4 bar (13.38 ftH ₂ O)*
10-13578-02	CM100HF AL-1BL 27.2V D38	135 l/min at 0.4 bar (35.6 GPM)

Length	Ø 38 mm 191 mm - 7.5"
Width	135 mm - 5.3"
Height	176 mm - 6.9"
Weight	3.9 kg (8.6 lbs)

*Further information on flow and capacities are available upon on request.

CM90BL - CIRCULATION PUMP WITH BRUSHLESS MOTOR

Pump Body	PPA	System pressure	Max. 2,5 bar
Impeller	PA12	Port size	Ø20 mm (3/4") and Ø 38 mm (1 1/4")
Shaft	Stainless Steel	Dry running	Max. 30 minutes
Motor	Brushless 12/24 V DC enclosed (as per IP67) permanent magnet, ball bearing mounted motor	Input Power	Max. 125W
Liquid	Water/glycol mixture; max. 60% glycol, fresh water	Mounting	Separate universal bracket for flat surfaces
Liquid temp.	Min. -40°C to Max. +100°C (Min. -40°F to Max. +212°F)		



Ø 38 mm

Ø 20 mm (3/4")

Part No.	Description	Capacity 0,1 bar (3.4 ftH ₂ O)	Capacity 0.25 bar (8.4 ftH ₂ O)
10-24901-01	CM90P7-1 BL 13.6V D20	55 l/min at 0.1 bar (14.5 GPM)	50 l/min at 0.25 bar (13.2 GPM)
10-24901-02	CM90P7-1 BL 27.2V D20	55 l/min at 0.1 bar (14.5 GPM)	50 l/min at 0.25 bar (13.2 GPM)

Ø 38 mm (1 1/2")

Part No.	Description	Capacity 0,1 bar (3.4 ftH ₂ O)	Capacity 0.25 bar (8.4 ftH ₂ O)
10-24898-01	CM90P7-1 BL 13.6V D38	115 l/min at 0.1 bar (30.4 GPM)	90 l/min at 0.25 bar (23.8 GPM)
10-24898-02	CM90P7-1 BL 27.2V D38	115 l/min at 0.1 bar (30.4 GPM)	90 l/min at 0.25 bar (23.8 GPM)

Length	Ø 20 mm 273.5 mm - 10.8"	Ø 38 mm 272 mm - 10.7"
Width	121 mm - 4.8"	121 mm - 4.8"
Height	141 mm - 5.6"	150 mm - 5.9"
Weight	3.0 kg (6.6 lbs)	3.0 kg (6.6 lbs)

CM90 - CIRCULATION PUMP



Ø 38 mm

Length 244 mm – 9.6"
Width 120 mm – 4.7"
Height 150 mm – 5.9"
Weight 3.0 kg (6.6 pounds)

Pump Body PPA, glass-fiber reinforced
Impeller PA12
Shaft Stainless steel
Motor 12/24 V DC enclosed (as per IP67) permanent magnet, ball bearing mounted motor, designed for continuous operation
Liquid Water/glycol mixture; max. 60% glycol, fresh
Liquid temp. Min. -40°C to Max. +100°C (Min. -40°F to Max. + 212°F)

System pressure Max 2,5 bar
Port Size Ø20 mm and Ø38 mm
Dry running 30 minutes
Input power Max. 125W
Mounting Separate universal bracket for flat surfaces

Ø20 mm (¾")

Part No.	Description	Capacity 0,1 bar (3.4 ftH ₂ O)	Capacity 0.25 bar (8.4 ftH ₂ O)
10-24750-09	CM90P7-1 13.6V D20	65 l/min (17.2 GPM)	50 l/min (13.2 GPM)
10-24750-10	CM90P7-1 27.2V D20	65 l/min (17.2 GPM)	50 l/min (13.2 GPM)

Ø38 mm (1½")

Part No.	Description	Capacity 0,1 bar (3.4 ftH ₂ O)	Capacity 0.25 bar (8.4 ftH ₂ O)
10-24664-09	CM90P7-1 13.6V D38	90 l/min (23.7 GPM)	65 l/min (17.2 GPM)
10-24664-10	CM90P7-1 27.2V D38	90 l/min (23.7 GPM)	65 l/min (17.2 GPM)



Length 211 mm – 8.3"
Width 117 mm – 4.6"
Height 110 mm – 4.56" from baseplate (totally 116 mm – 4.8")
Weight 1.75 kg – 3.8 lbs

C090 - CIRCULATION PUMP WITH MECHANICAL SEAL

Pump Body PA66 thermoplastic
Impeller PA66 thermoplastic
Motor 12/24 V DC enclosed (as per IP31) permanent magnet, ball bearing mounted motor, designed for continuous operation
Shaft Stainless steel

Shaft seal Mechanical seal
Liquid Water/glycol mixture; max. 60% glycol, fresh water
Liquid temp. Min. -30°C, Max. +100°C
System Pressure Max 2,0 bar
Port size Ø38 mm (1.½") hose

Ø 38 mm (1½")

Part No.	Description	Capacity 0.1 bar (3.4 ftH ₂ O)
10-24190-1	C090P5-1 12V	100 l/min at 0.1 bar (26.4 GPM)
10-24190-2	C090P5-1 24V	100 l/min at 0.1 bar (26.4 GPM)



CM10 & CM30

Pump Body PPA, Thermoplastic
Impeller PPA, Thermoplastic
Shaft Stainless Steel
Motor 12/24V DC enclosed (as per IP67) permanent magnet, ball bearing mounted motor, designed for continuous operation
Liquid Water/glycol mixture; max. 60% glycol, fresh water
Liquid temp. Min. -40°C Max. +100°C
System pressure 2,5 bar max

Port size Ø 16 mm (5/8") or 20 mm (¾") hose
Dry running Max. 30 minutes
Input Power Max. 14W (CM10) 27W (CM30)
Mounting Separate universal bracket for flat surfaces

Length	CM10P7-1 177 mm – 6.97"	CM30P7-1 177 mm – 6.97"
Width	68 mm – 2.68"	68 mm – 2.68"
Height	85 mm – 3.35"	85 mm – 3.35"
Weight	0.53 kg – 1.2 lbs	0.6 kg – 1.3 lbs

CM10 - CIRCULATION PUMP

Part No.	Voltage	Description	Port Size	Capacity 0.1 bar (3.4 ftH ₂ O)	Flexible Cord
10-24501-03	12V	CM10P7-1	Ø 16 mm (5/8")	15 l/min (4 GPM)	
10-24501-04	24V	CM10P7-1	Ø 16 mm (5/8")	15 l/min (4 GPM)	
10-24502-03	12V	CM10P7-1	Ø 20 mm (¾")	18,5 l/min (5 GPM)	
10-24502-04	24V	CM10P7-1	Ø 20 mm (¾")	18,5 l/min (5 GPM)	
10-24486-03	12V	CM10P7-1 with flexible cord	Ø 16 mm (5/8")	15 l/min (4 GPM)	04-36245-01
10-24486-04	24V	CM10P7-1 with flexible cord	Ø 16 mm (5/8")	15 l/min (4 GPM)	04-36245-01
10-24487-03	12V	CM10P7-1 with flexible cord	Ø 20 mm (¾")	18,5 l/min (5 GPM)	04-36245-01
10-24487-04	24V	CM10P7-1 with flexible cord	Ø 20 mm (¾")	18,5 l/min (5 GPM)	04-36245-01

CM30 - CIRCULATION PUMP

Part No.	Voltage	Description	Port Size	Capacity 0.1 bar (3.4 ftH ₂ O)	Flexible Cord
10-24503-03	12V	CM30P7-1	Ø 16 mm (5/8")	20 l/min (5.3 GPM)	
10-24503-04	24V	CM30P7-1	Ø 16 mm (5/8")	20 l/min (5.3 GPM)	
10-24504-03	12V	CM30P7-1	Ø 20 mm (¾")	26 l/min (6.9 GPM)	
10-24504-04	24V	CM30P7-1	Ø 20 mm (¾")	26 l/min (6.9 GPM)	
10-24488-03	12V	CM30P7-1 with flexible cord	Ø 16 mm (5/8")	20 l/min (5.3 GPM)	04-46249-01 12V
10-24488-04	24V	CM30P7-1 with flexible cord	Ø 16 mm (5/8")	20 l/min (5.3 GPM)	04-46249-01 12V
10-24489-03	12V	CM30P7-1 with flexible cord	Ø 20 mm (¾")	26 l/min (6.9 GPM)	04-46249-01 12V
10-24489-04	24V	CM30P7-1 with flexible cord	Ø 20 mm (¾")	26 l/min (6.9 GPM)	04-46249-01 12V



CM10 & CM30 REBUILD KIT

Part No.	Description
09-46551	Impeller cpl. CM10/CM30
36-503-023	Clamp Bracket



Waste Water Handling & Marine Toilets

Photos: Delta



From a name you can trust, the AquaT™ toilet provides the comfort and convenience of a land-based lavatory at sea — a marine toilet that flushes as quietly as a toilet on land.

Equip your boat with the combination Viking Power 16 and a Grey Water Tank for or complete waste water handling system.

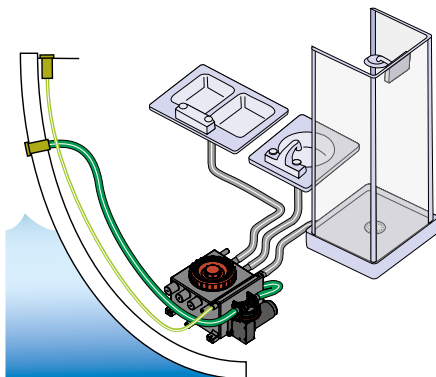


Viking Power
ISO8846
ISO10133
ISO8849
EN55014

AquaT Silent Electric & Standard Electric
ISO8846
EN55014



Waste Water Pumps Solutions



Gray Water Tank with Viking Power 16

SPX FLOW Johnson Pump offers waste water pump solution, designed to meet the rigorous demands of the leading manufacturers of boats, recreational vehicles and buses.

VIKING POWER 16 - COMPACT SHOWER DRAIN, BILGE AND WASTE WATER PUMP

A modern, single-chamber, self-priming diaphragm pump that can be set up in several different pump/motor configurations. It is easy to install anywhere after the drain outlet in the wastewater system or as a bilge pump in any leisure craft – new or used.

The Viking Power 16 is self-priming up to a height of three meters. With its low pulse and muffled rubber bracket, this pump offers quiet operation. Specifically designed to pump waste water, with double check valves for improved pumping action, the Viking Power 16 has been built to last, and engineered for easy maintenance. When it comes time to replace the premium grade reinforced nitrile rubber diaphragm, you can put in a spare without even removing the pump from the system.

Its non-choke valves mean that no in-line filters are necessary. The pump can be run dry, and it can also handle a mixture of air and water without difficulty. Delivered with 1" hose and 3/4" hose 1/2" BSP KlickTite™ XL connectors. 90° KlickTite™ XL connectors available as extra accessory.

Motor	2.3 amp (12V), 1.2 amp (24V) at 0.1 bar 12/24V DC (with built-in thermal protection)	Length	186 mm – 7.3"
Body	Nylon, glass-fiber reinforced	Width	235/181 mm – 9.3"/7.1"
Valves	Nitrile rubber	Height	118/204 mm – 4.6/8"
Diaphragm	Reinforced nitrile rubber	Weight	2.6 kg – 5.7 lbs



Double check valves for improved pumping action

Part No.	Description	Capacity, open flow	Capacity at 0.1 bar	Max lift	Max head	Connection
10-13350-03	Viking Power 16 12V	16 l/min – 4.2 GPM	15 l/min – 4.0 GPM	3 m – 9.8 ft	3 m – 9.8 ft	KlickTite™ XL connectors for 1" hose or 3/4" hose and 1/2" BSP threads; straight and 90° (optional)
10-13350-04	Viking Power 16 24V	16 l/min – 4.2 GPM	15 l/min – 4.0 GPM	3 m – 9.8 ft	3 m – 9.8 ft	
09-47148	Diaphragm kit					
09-47149	Body kit					
01-36035	Slide Retainer Clip					
01-36192	Check Valve					

VIKING POWER 32 - COMPACT SHOWER DRAIN, BILGE & WASTE WATER PUMP

This pump has been engineered with a ball-bearing supported transmission for long service life. The pump cannot only be run dry, it can also handle a mixture of air and water without difficulty. The Viking Power 32 provides maximum flow of 32 l/min and is self-priming up to a height of 2.5 m. Although powered by an electric motor, this pump can also be cranked by hand in case of an emergency. Naturally, pumping ordinary shower or sink drain water or bilge water is no problem for this pump.

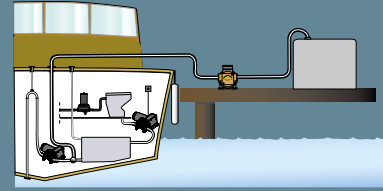
Motor	3.3 amp (12V), 1.6 amp (24V) at 0.1 bar 12/24V DC (with built-in thermal protection)	Length	277 mm – 10.9"
Body	Nylon	Width	264 mm – 10.4"
Valves	Nitrile rubber	Height	192 mm – 7.6"
Diaphragm	Reinforced nitrile rubber	Weight	5.0 kg – 11.0 lbs



Crank for manual handling

Part No.	Description	Capacity, open flow	Capacity at 0.1 bar	Max lift	Max head	Connection
10-13373-03	Viking Power 32 12V	32 l/min – 8.5 GPM	30 l/min – 7.9 GPM	2.5 m – 8.2 ft	4 m – 13.1 ft	38 mm / 1 1/2"
10-13373-04	Viking Power 32 24V	32 l/min – 8.5 GPM	30 l/min – 7.9 GPM	2.5 m – 8.2 ft	4 m – 13.1 ft	38 mm / 1 1/2"
01-36051	Rubber valve					

The Viking Power 32 and Viking Power Vacuum diaphragm pumps have been designed to meet the rigorous demands of the world's leading manufacturers of boats, recreational vehicles and buses. Thanks to its single-chamber design and non-choke valves, the Viking Power 32 can be used to pump un-macerated sewage to a holding tank or transfer it onwards to a septic tank.



VIKING POWER VACUUM

Engineered with a ball-bearing supported transmission for long service life. The Viking Power Vacuum pump cannot only be run dry, it can also handle a mixture of air and water without difficulty.

The Viking Power Vacuum provides maximum flow of 32 l/min and is self-priming up to a height of 5 m. Although powered by an electric motor, this pump can also be cranked by hand in case of an emergency. The Viking Power Vacuum has double check-valves and can therefore also be used in vacuum toilet systems. Naturally, pumping ordinary shower or sink drain water or bilge water is no problem for this pump.

Motor	3.3 amp (12V), 1.6 amp (24V) at 0.1 bar 12/24V DC (with built-in thermal protection)	Length	357 mm – 14"
Body	Nylon	Width	271 mm – 10.7"
Valves	Nitrile rubber	Height	192 mm – 7.6"
Diaphragm	Reinforced nitrile rubber	Weight	5.1 kg – 11.2 lbs



Crank for manual handling

Part No.	Description	Capacity, open flow	Capacity at 0.1 bar	Max lift	Max head	Connection
10-13373-07	Viking Power Vacuum 12V	24 l/min – 6.3 GPM	22 l/min – 5.8 GPM	5 m – 16.4 ft	4 m – 13.1 ft	38 mm / 1 1/2"
10-13373-08	Viking Power Vacuum 24V	24 l/min – 6.3 GPM	22 l/min – 5.8 GPM	5 m – 16.4 ft	4 m – 13.1 ft	38 mm / 1 1/2"

GRAY WATER TANK

The Gray Water Tank is designed to be used as collection tank for waste water from showers, sinks, dishwashing machines, etc with 19 mm, 25 mm and 38 mm inlet ports, and 19 mm and 25 mm outlet ports. The tank includes an Ultima Switch, for automatic operation and is easy to connect to any 12V/24V pump up to 20 amp. The tank is prepared for Viking Power 16, with pre-drilled holes for the pump.

The Viking Power 16 pump is to be ordered separately.

Part No.	Description
09-13384	Gray Water Tank (excl. Viking Power 16)
10-13350-03-003	Gray Water Tank and Viking Power 16 12V Combo

Dimensions 185 x 280 x 340 mm

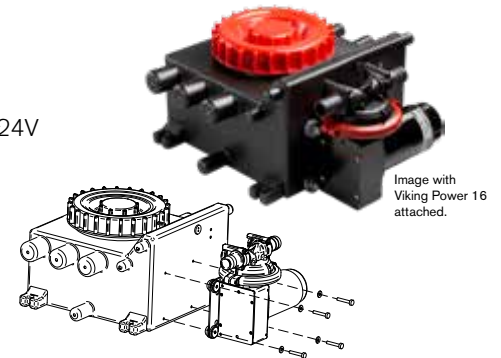


Image with Viking Power 16 attached.

TA3P10-19 - MACERATOR PUMP

The TA3P10-19 macerator pump takes care of toilet waste. A rotary cutter shreds waste before it is pumped into or out from the holding tank. The pump should be connected as close as possible to the holding tank discharge outlet or the bowl discharge outlet. *Note! Use unbleached lavatory paper only.*

Motor	12/24V DC (with built-in thermal protection)	Length	230 mm – 9.06"
Body	Phenol Plastic (PF)	Width	108 mm – 4.25"
Impeller	Nitrile 09-1052S-9	Height	82 mm – 3.23"
Housing	Thermoplastic Polyester (PET)	Weight	1.9 kg – 4.2 lbs
Shaft	Stainless Steel		
Seal	Lip Seal		

SPARE PARTS

Part No.	Description
09-45595	Rebuild kit

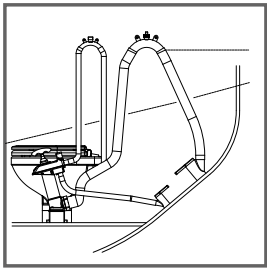


Part No.	Description	Capacity at 0.2 bar (6.7 ft)	Inlet Connection	Amperage	Fuse size	Outlet Connection
10-24453-01	TA3P10-19 12V Macerator	37 l/min – 10 GPM	1 1/2" (Ø 38 mm) hose or 1 1/2"NPT	15 A	20 A	1" (25.4 mm) hose
10-24453-02	TA3P10-19 24V Macerator	37 l/min – 10 GPM	1 1/2" (Ø 38 mm) hose or 1 1/2"NPT	7 A	12 A	1" (25.4 mm) hose

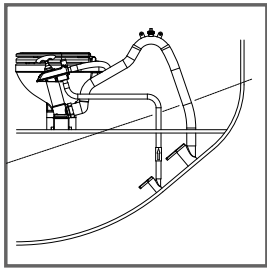


09-1052S-9

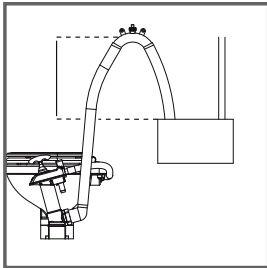
AquaT™ - Marine Toilets



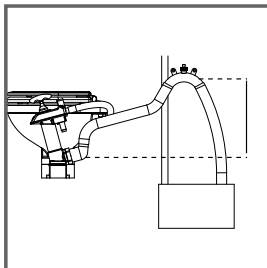
Toilet mounted below the waterline and discharging overboard.



Toilet mounted above the waterline and discharging overboard.



Toilet waste discharging into holding tank, discharging elbow below top of the holding tank at any time.



Toilet waste discharging into holding tank, discharging elbow always above top of the holding tank.

Available in a selected variety of versions marketed under three basic models — manual, standard electric and silent electric - with the choice of electric powered or manual - the AquaT™ marine toilet has been designed to meet virtually every conceivable lavatory installation situation onboard.

Priced competitively, the fine finish and well thought-through design of these toilets is remarkable. Made from white vitreous porcelain, and with corrosion resistant parts out, the AquaT™ marine toilet is quiet, robust and easy to clean.

It is probably fair to think of most toilets as commonplace products, but look at the features and you are sure to see that the AquaT™ is far from ordinary.

Quiet, hygienic and reliable, the AquaT™ marine toilet is perfect for almost any marine toilet room.

- The AquaT™ bowls are available in three executions:
 - Comfort bowl with a larger comfortable oval seat
 - Compact bowl with a round seat - when installation space is limited
 - Super Compact bowl - smaller and lighter bowl, requiring even less packaging space
- All models of AquaT™ toilets are equipped with soft closing, durable and hygienic plastic seats



AquaT™ Manual Super Compact
80-47625-01



AquaT™ Manual Compact
80-47229-01



AquaT™ Manual Comfort
80-47230-01

AquaT™ Manual

Incorporates an ergonomically designed, hand-powered piston pump that can be mounted for either left-hand or right-hand use. Available in three models: Super Compact, Compact and Comfort.



AquaT™ Standard Electric Super Compact
80-47626-01, 12V



AquaT™ Standard Electric Compact
80-47435-01, 12V
80-47435-02, 24V



AquaT™ Standard Electric Comfort
80-47436-01, 12V
80-47436-02, 24V

AquaT™ Standard Electric

Equipped with a combined pump, 12V or 24V, unit for disposal and flushing. Centrifugal pump with macerator function for disposal and an impeller pump for filling water. Available in three models: Super Compact, Compact and Comfort.



AquaT™ Silent Electric Compact
80-47231-01, 12V
80-47231-02, 24V



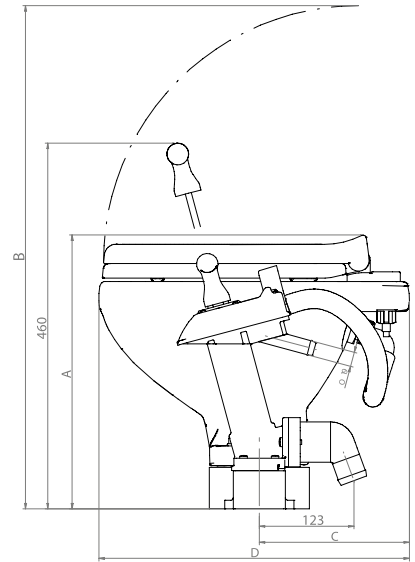
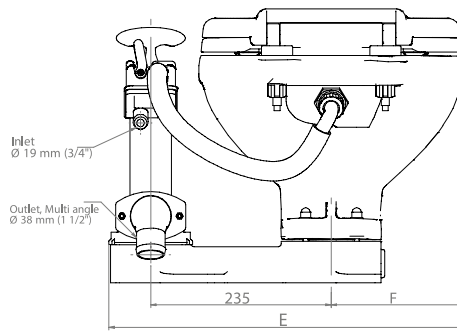
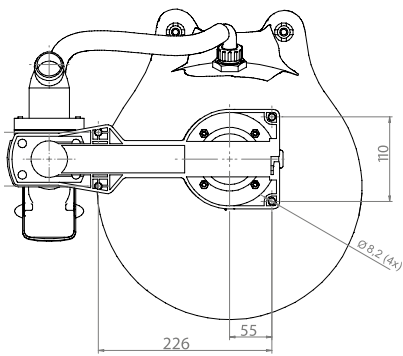
AquaT™ Silent Electric Comfort
80-47232-01, 12V
80-47232-02, 24V

AquaT™ Silent Electric

Designed for silent flush and built-in pump for disposal. Centrifugal pump with macerator function and a well-proven diaphragm pump. Controlled with a three-way control panel. Available in 12V/24V and two models: Compact and Comfort.

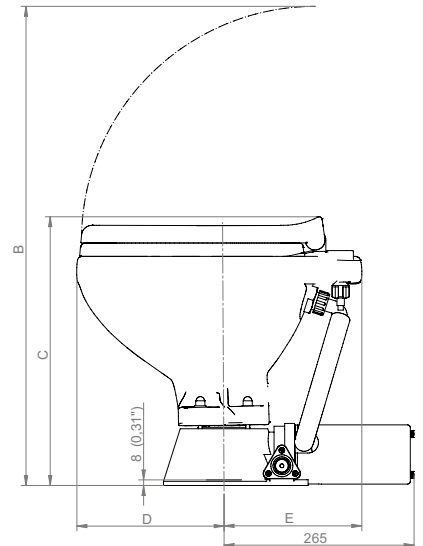
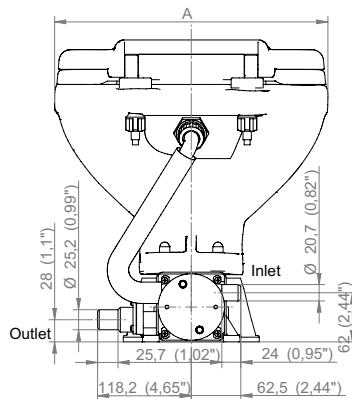
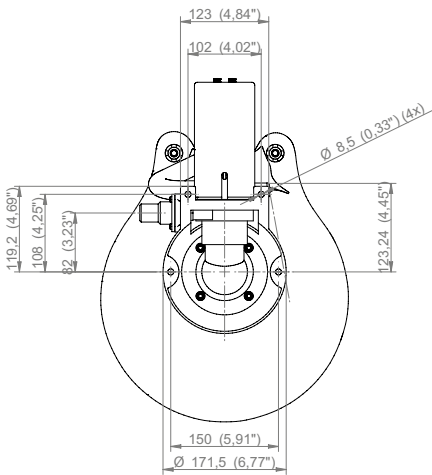
AquaT™ MANUAL - TOILET

Part. nr.	Description	Net weight		A	B	C	D	E	F	mm/ inch
		kg	lbs							
80-47625-01	AquaT™ Toilet Manual Super Compact	8,5	19	310	610	215	410	460	170	mm inch
				12,2	24,0	8,5	16,1	18,1	6,7	
80-47229-01	AquaT™ Toilet Manual Compact	8,3	18	355	650	215	410	455	170	mm inch
				14,0	25,6	8,5	16,1	17,9	6,7	
80-47230-01	AquaT™ Toilet Manual Comfort	11	24	345	730	250	470	465	175	mm inch
				13,6	28,7	9,8	18,5	18,3	6,9	



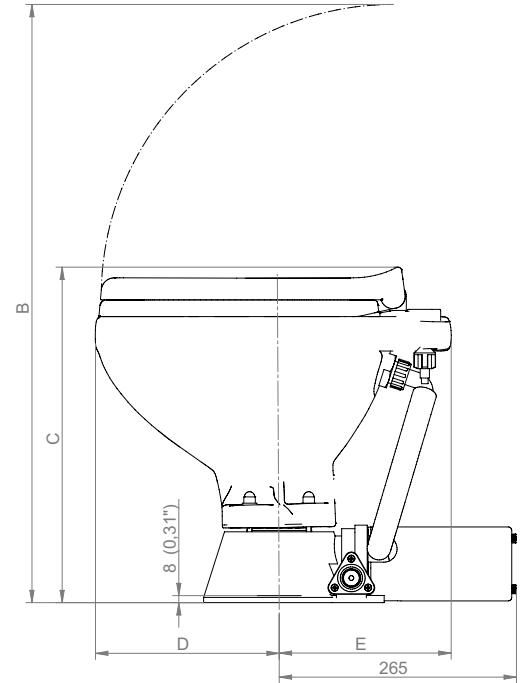
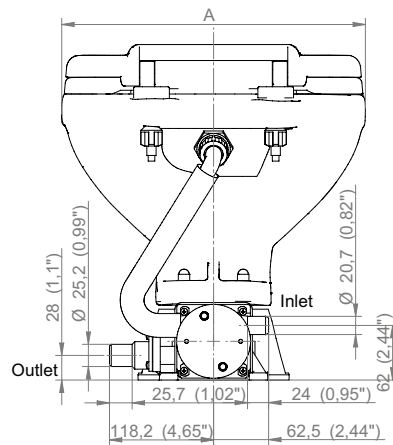
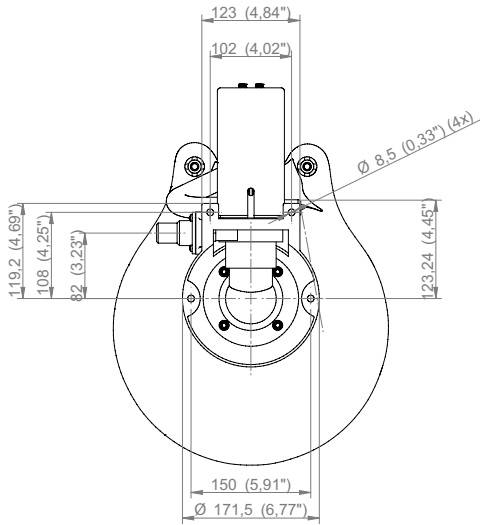
AquaT™ STANDARD ELECTRIC - TOILET

Part No.	Description	Net weight		A	B	C	D	E	mm/ inch
		kg	lbs						
80-47626-01	AquaT™ Standard Electric Super Compact, 12V	9,2	20	345	645	340	215	215	mm inch
				13,6	25,4	13,4	8,5	8,5	
80-47435-01	AquaT™ Standard Electric Compact, 12V	9,5	21	345	690	390	215	215	mm inch
80-47435-02	AquaT™ Standard Electric Compact, 24V			13,6	27,2	15,4	8,5	8,5	inch
80-47436-01	AquaT™ Standard Electric Comfort, 12V	11	24	370	765	375	235	265	mm inch
80-47436-02	AquaT™ Standard Electric Comfort, 24V			14,6	30,1	14,8	9,3	10,4	inch



AquaT™ SILENT ELECTRIC - TOILET

Part. nr.	Description	Weight		A	B	C	D	E	F	mm/
										inch
80-47231-01	AquaT™ Silent Electric Compact, 12V	9,2	kg	130	400	340	450	205	695	mm
80-47231-02	AquaT™ Silent Electric Compact, 24V	20	lbs	5,1	15,7	13,4	17,7	8,1	27,4	inch
80-47232-01	AquaT™ Silent Electric Comfort, 12V	10,8	kg	145	400	370	480	250	780	mm
80-47232-02	AquaT™ Silent Electric Comfort, 24V	24	lbs	5,7	15,7	14,6	18,9	9,8	30,7	inch



Spare Parts - AquaT™ Toilets

Part No.	Description
81-47241-04	Soft Close Plastic Seat Compact Toilet
81-47241-07	Soft Close Plastic Seat Comfort Toilet
81-47242-01	Gasket Kit (all gaskets for Manual)
81-47243-01	Plastic Base with Tap and Ring (Manual)
81-47244-01	Plastic handle kit (Manual)
81-47246-01	Intake elbow - inlet pipe complete (Manual and Silent Electric)
81-47246-02	Outlet elbow - outlet pipe complete (Manual and Silent Electric)
81-47247-01	Base group (Silent Electric)
81-47248-01	Motor group 12V (Silent Electric)

Part No.	Description
81-47248-02	Motor group 24V (Silent Electric)
81-47268-01	Base Gasket Kit (Manual)
81-47269-01	Flush Handle kit (Manual)
81-47273-01	Outlet elbow (Silent Electric)
81-47274-01	Bowl gasket (Silent Electric)
81-47519	Impeller kit (Silent Electric)



81-47246-02



81-47248-01



81-47268-01

Accessories - Waste Water Handling and Marine Toilets

VENTED LOOP

Part No.	Description
81-47237-01	Vented Loop, ¾" (19,05 mm)
81-47237-02	Vented Loop, 1" (25,4 mm)
81-47237-03	Vented Loop, 1½" (38,1 mm)

The vented loop is available in different sizes and with its inverted U-shape with a vent at the top it allows the air to escape. Vented loops are to prevent back siphoning and are found in toilet discharge lines or in systems which are mounted below the waterline.



Y-VALVE

Part No.	Description
81-47238-01	Y-valve 1½" Inner diameter, 1" Straight

Designed for installation in waste discharge and bilge pump-out systems. Allows waste to be pumped directly into holding tank or diverted to another discharge.



CONVERSION KIT - AquaT SILENT ELECTRIC

Part No.	Description
81-47240-01	Conversion kit AquaT Assembly 12V (Silent Electric)
81-47240-02	Conversion kit AquaT Assembly 24V (Silent Electric)

AquaT Silent Electric conversion kit/spare kit for Compact or Comfort sized bowls. For separate external flush system with flush pump or by existing centralized fresh water system using solenoid. Controls the rinse and discharge with two separate buttons on the control panel. Includes discharge pump, base, connectors and two-switch control panel.



CONVERSION KIT - AquaT STANDARD ELECTRIC

Part No.	Description
81-47442-01	Conversion Kit 12V (Standard Electric)
81-47442-02	Conversion Kit 24V (Standard Electric)

Standard Electric conversion kit/spare kit for Compact or Comfort sized bowls. To convert a manual model to electric, or to replace an existing electrical system with a "one-push" flush and discharge system. Includes pump, base, hose, fittings and the one-push control panel. Fits with all AquaT™ Standard Electric models.



CONVERSION KIT - AquaT MANUAL

Part No.	Description
81-47239-01	Conversion kit AquaT (Manual)

This manual toilet pump assembly pairs with any AquaT Manual Marine Toilet. It incorporates an ergonomically designed, hand-powered piston pump that can be mounted for either left handed or right handed use.



CONTROL PANEL - AquaT SILENT ELECTRIC 12V/24V

Part No.	Description
81-36105-01	Control Panel - AquaT Silent Electric Toilets 12V/24V

Two switch control panel to allow for separate rinse and discharge when using an external flush pump or solenoid.



CONTROL PANEL - AquaT STANDARD ELECTRIC 12V/24V

Part No.	Description
81-47520-01	Control Panel - AquaT Standard Electric and Super Compact Toilets 12V/24V

One push button on the control panel for combined rinse and discharge pump.



FLUSH PUMP 3.5

Part No.	Description
10-13399-05	Flush Pump 3.5 GPM w strainer 12V
10-13399-06	Flush Pump 3.5 GPM with strainer 24V

An efficient and robust flush pump to be used with on-off switch for any marine 12V/24V toilet with external flushing pump system. Fits with all Silent Electric models. Delivers 13l/min/3.5 GPM.



VIKING POWER VACUUM

Part No.	Description
10-13373-07	Viking Power Vacuum, 12V
10-13373-08	Viking Power Vacuum, 24V

Electrical 12V/24V diaphragm pump to manage all types of wastewater. Can pump un-macerated sewage to a holding tank or transfer it onwards to a septic tank. Equipped with double check valves to secure operation at all times. To be used also with vacuum toilet systems.



VIKING UNIVERSAL

Part No.	Description
10-13530-01	Viking Universal with connection Ø 38 mm (1½")
09-36250	Viking Universal Through Deck Kit

Heavy duty manual bilge pump to fill and discharge waste water holding tanks. Compact to minimize required space, can be installed bulkhead or through. Equipped with large 38 mm connectors to manage all kinds of waste water.



SOLENOID

Part No.	Description
81-47301-01	Solenoid valve 12V
81-47301-02	Solenoid valve 24V

Electric valve to be used with centralized fresh water system.





Radial Blowers & Marine Water Heaters

Photo: Brunswick



AirV – Extra Heavy Duty Radial Blowers

ISO 9097
ISO 8846
ISO 10133
EN 55014-1

AquaH - Marine Water Heaters

EN 60335-1
EN 60335-2-21 + A1 + EC
EN 55014-1 + A1 + A2
EN 55014-2 + A1

AquaH is an innovative series of AISI 316 stainless steel water heaters, with a storage capacity of 22 up to 80 litres (5.3 to 19.3 gal.).

Dual heating as standard - electrical heating and indirect heating based on a second heat source, for example the cooling system from the Marine engine or generator set.

AirV extra heavy duty radial blowers for marine engine compartment ventilation prior to start up. The blowers can be used for air intake or extraction in bilges, galleys, accommodation and other compartments.



Extra Heavy Duty Radial Blowers

Marine radial blowers designed for engine compartment ventilation prior to start up. Is suitable for air intake or extraction in bilges, galleys, accommodation and other compartments.

Flange Mount and Flex Mount design with double ball bearing motor, high-impact anti-shock ABS body and shaft and screws in stainless steel.



80-47616-01



80-47420-01

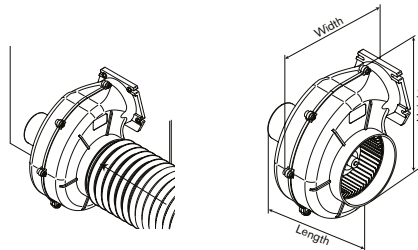


80-47417-01

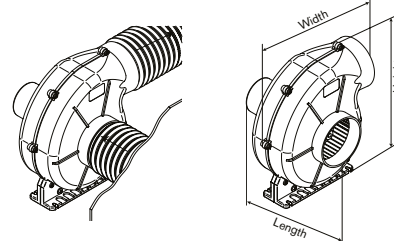
AirV – MARINE RADIAL BLOWERS

Part No.	Description	Capacity	Dimensions H x W x L	Port Connections		Current [Amp]
				Inlet	Outlet	
80-47416-01	AirV 3-280 Flange Mount, 12V	280 m³/h, 163 CFM	198 x 171 x 195 mm / 6.89 x 6.3 x 7.68"	Ø 75 mm / Ø 3"	92 x 80 / 3,62 x 3,15"	3.9
80-47416-02	AirV 3-280 Flange Mount, 24V	280 m³/h, 163 CFM	197 x 173 x 195 mm / 6.89 x 6.3 x 7.68"	Ø 75 mm / Ø 3"	92 x 80 / 3,62 x 3,15"	2.5
80-47417-01	AirV 4-550 Flange Mount, 12V	550 m³/h, 324 CFM	277 x 259 x 160 mm / 10.91 x 10.08 x 6.61"	Ø 100 mm / Ø 4"	146 x 118 / 5,75 x 4,65"	12.5
80-47417-02	AirV 4-550 Flange Mount, 24V	550 m³/h, 324 CFM	277 x 259 x 160 mm / 10.91 x 10.08 x 6.61"	Ø 100 mm / Ø 4"	146 x 118 / 5,75 x 4,65"	7
80-47418-01	AirV 4-750 Flange Mount, 12V	750 m³/h, 441 CFM	277 x 257 x 181 mm / 10.91 x 10.08 x 6.73"	Ø 150 mm / Ø 6"	146 x 118 / 5,75 x 4,65"	14.5
80-47418-02	AirV 4-750 Flange Mount, 24V	750 m³/h, 441 CFM	277 x 257 x 181 mm / 10.91 x 10.08 x 6.73"	Ø 150 mm / Ø 6"	146 x 118 / 5,75 x 4,65"	8.5
80-47419-02	AirV 4-1000 Flange Mount, 24V	1000 m³/h, 589 CFM	278 x 258 x 203 mm / 10.91 x 10.08 x 8.19"	Ø 150 mm / Ø 6"	146 x 118 / 5,75 x 4,65"	15.5
80-47420-01	AirV 4-550 Flex Mount, 12V	550 m³/h, 324 CFM	296 x 257 x 161 mm / 11.61 x 10.08 x 6.61"	Ø 100 mm / Ø 4"	Ø110 mm / Ø4,33"	12.5
80-47420-02	AirV 4-550 Flex Mount, 24V	550 m³/h, 324 CFM	296 x 257 x 161 mm / 11.61 x 10.08 x 6.61"	Ø 100 mm / Ø 4"	Ø110 mm / Ø4,33"	7
80-47421-01	AirV 4-750 Flex Mount, 12V	750 m³/h, 441 CFM	297 x 257 x 182 mm / 11.61 x 10.08 x 6.61"	Ø 150 mm / Ø 6"	Ø110 mm / Ø4,33"	14.5
80-47421-02	AirV 4-750 Flex Mount, 24V	750 m³/h, 441 CFM	297 x 257 x 182 mm / 11.61 x 10.08 x 6.61"	Ø 150 mm / Ø 6"	Ø110 mm / Ø4,33"	8.5
80-47422-02	AirV 4-1000 Flex Mount, 24V	1000 m³/h, 589 CFM	296 x 257 x 201 mm / 11.61 x 10.08 x 8.19"	Ø 150 mm / Ø 6"	Ø110 mm / Ø4,33"	15.5
66302	3" Inline Blower 12V	158 CFM		3"	3"	3,5
66402	4" Inline Blower 12V	240 CFM		4"	4"	3,5
54124	Blower, Flange Mounted	112 CFM		3"	3"	5
54154	Blower, Remote Mount	112 CFM		3"	3"	5

Flange Mount



Flex Mount



66302

66402



54124



54154

Marine Water Heaters

Stainless steel water heaters with dual heating as standard - electrical heating and indirect heating based on an second heat source, for example based on the cooling system from the Marine engine or generator set.



56-47456-01



56-47457-01



AquaH – MARINE WATER HEATER

AquaH is an innovative series of AISI 316 stainless steel water heaters, with a storage capacity of 22 up to 80 litres (5.3 to 19.3 gal.). The heaters are cased in AISI 304 stainless steel and is provided with a sturdy compact plastic end cover which also includes the mounting brackets.

Electrical heating elements are available in Incoloy at 500W & 1200W allowing hot water production when engine heat is not available but when 230V or 120V AC is. Delivered with an adjustable safety thermostat for temperature adjustment while on electrical heating.

Part no	Description
56-47455-01	AquaH Marine Water Heater 1200W / 6 GAL 22L 220V BSP
56-47455-02	AquaH Marine Water Heater 1200W / 6 GAL 22L 120V NPT
56-47455-03	AquaH Marine Water Heater 500W / 6 GAL 22L 220V BSP
56-47455-04	AquaH Marine Water Heater 500W / 6 GAL 22L 120V NPT
56-47456-01	AquaH Marine Water Heater 1200W / 8 GAL 30L 220V BSP
56-47456-02	AquaH Marine Water Heater 1200W / 8 GAL 30L 120V NPT
56-47456-03	AquaH Marine Water Heater 500W / 8 GAL 30L 220V BSP
56-47456-04	AquaH Marine Water Heater 500W / 8 GAL 30L 120V NPT
56-47457-01	AquaH Marine Water Heater 1200W / 11 GAL 45L 220V BSP
56-47457-02	AquaH Marine Water Heater 1200W / 11 GAL 45L 120V NPT
56-47457-03	AquaH Marine Water Heater 500W / 11 GAL 45L 220V BSP
56-47457-04	AquaH Marine Water Heater 500W / 11 GAL 45L 120V NPT
56-47458-01	AquaH Marine Water Heater 1200W / 15 GAL 60L 220V BSP
56-47458-02	AquaH Marine Water Heater 1200W / 15 GAL 60L 120V NPT
56-47458-03	AquaH Marine Water Heater 500W / 15 GAL 60L 220V BSP
56-47458-04	AquaH Marine Water Heater 500W / 15 GAL 60L 120V NPT
56-47459-01	AquaH Marine Water Heater 1200W / 20 GAL 80L 220V BSP
56-47459-02	AquaH Marine Water Heater 1200W / 20 GAL 80L 120V NPT
56-47459-03	AquaH Marine Water Heater 500W / 20 GAL 80L 220V BSP
56-47459-04	AquaH Marine Water Heater 500W / 20 GAL 80L 120V NPT

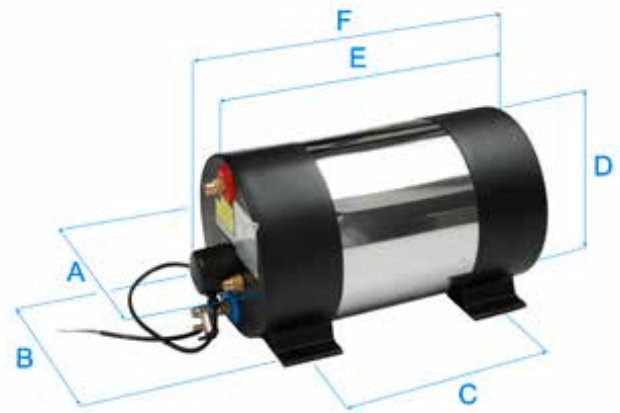
ACCESSORIES

Part No.	Description
56-47464-01	AquaH Thermostat Water Mixer Kit KIT 1/2" BSP
56-47464-02	AquaH Thermostat Water Mixer Kit KIT 1/2" NPT

AquaH - DIMENSIONS

Part no	Electrical supply	Storage capacity	Weight empty	A	B	C	D	E	F
	w	lt (gallons)	kg (lbs)	mm	mm	mm	mm	mm	mm
56-47455-01/02	1200	22	10	322	290	235	325	410	485
56-47455-03/04	500	(5.81)	(22)	12.7"	11.4"	9.25"	12.8"	16.1"	19.1"
56-47456-01/02	1200	30	11.5	322	290	370	325	545	620
56-47456-03/04	500	(7.93)	(25.4)	12.7"	11.4"	14.6"	12.8"	21.5"	24.4"
56-47457-01/02	1200	45	15	322	290	625	325	805	880
56-47457-03/04	500	(11.9)	(33.1)	12.7"	11.4"	24.6"	12.8"	31.7"	34.6"
56-47458-01/02	1200	60	17.3	322	290	810	325	990	1065
56-47458-03/04	500	(15.9)	(38.1)	12.7"	11.4"	31.9"	12.8"	39"	41.9"
56-47459-01/02	1200	80	20	322	290	1090	325	1270	1345
56-47459-03/04	500	(21.1)	(44.1)	12.7"	11.4"	42.9"	12.8"	50"	53"

Electric supply 220-240 V ~ 50 Hz or 120 V - 60 Hz
 Water connections 1/2"



AquaH - HEATING TIME

1200W

Part no	Electrical supply	Storage capacity	Water temperature in °C (°F)							
			20 (68)	25 (77)	30 (86)	35 (95)	40 (104)	45 (113)	50 (122)	55 (131)
56-47455-01/02	1200	22 (5.81)	6	12	19	25	31	38	44	51
56-47456-01/02	1200	30 (7.93)	8	17	26	34	43	52	61	69
56-47457-01/02	1200	45 (11.9)	13	26	39	52	65	78	91	104
56-47458-01/02	1200	60 (15.9)	17	34	52	69	87	104	122	139
56-47459-01/02	1200	80 (21.1)	23	46	69	93	116	139	162	186

Initial temperature 15°C

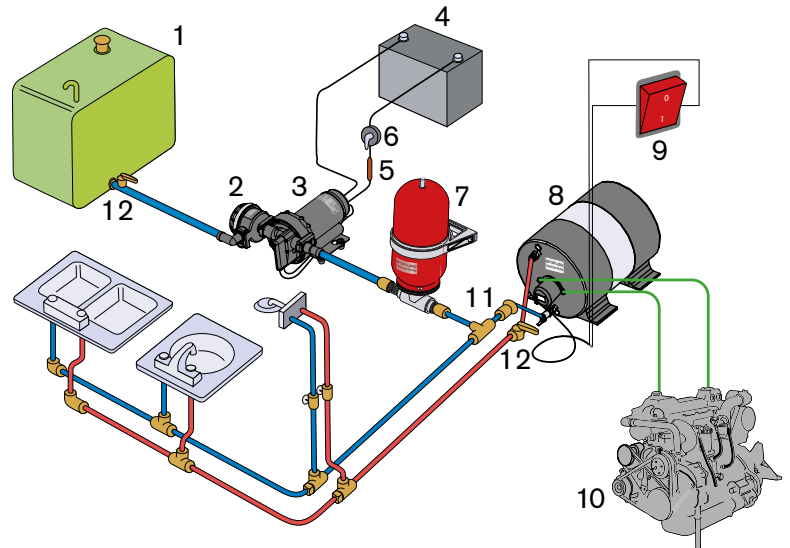
500W

Part no	Electrical supply	Storage capacity	Water temperature in °C (°F)							
			20 (68)	25 (77)	30 (86)	35 (95)	40 (104)	45 (113)	50 (122)	55 (131)
56-47455-03/04	500	22 (5.81)	15	30	46	61	76	92	107	122
56-47456-03/04	500	30 (7.93)	20	41	62	83	104	125	146	167
56-47457-03/04	500	45 (11.9)	31	62	94	125	156	188	219	251
56-47458-03/04	500	60 (15.9)	41	83	125	167	209	251	293	334
56-47459-03/04	500	80 (21.1)	55	111	167	223	279	334	390	446

Initial temperature 15°C

Typical Water Heater Application

1. Water tank
2. PUMProtector inlet strainer
3. Aqua Jet water pressure pump
4. Battery
5. Fuse
6. Switch
7. Accumulator tank
8. Water heater
9. ON/OFF bipolar switch
10. Motor
11. Check valve
12. Shut-off valve





Impeller Pumps & Impellers

Photo: Swedish Coast Guard



Flexible impeller pumps provide an efficient solution to most raw water pumping needs. The pumps are self-priming and can pass fairly large solids without clogging or damaging the pumps. Our engine cooling pumps are designed to the demands of engine manufacturers and are built to take rough treatment.

We supply engine cooling pumps to the world's leading marine motor manufacturers, not just because of our renowned pumps; but also because of the heart of an engine cooling pump: the impeller.

With SPX FLOW Johnson Pump Marine Original Impellers you get:

- Ensures correct cooling flow
- Stable pressure delivery over time
- Significantly longer service life
- Excellent self-priming capability
- Ensures sufficient cooling directly at start up
- Our impellers are manufactured to strict tolerances for optimal functionality unique MC97 rubber compound in many of our impellers
- Correct impeller dimensions
- Optimized to provide maximum life, especially for applications where the end user doesn't run the engine on a regular basis:
 - Stable pressure delivery over time
 - Minimized failures due to fatigue
 - Minimized swelling

Self-Priming Flexible Impeller Pumps

Heavy Duty Impeller Pumps

A range of multipurpose bronze pumps. Compact design, raw water resistant pumps at an attractive price – with the renowned SPX FLOW Johnson Pump quality. These pumps are designed for a number of applications on board.

With excellent self-priming capability, these pumps are ideal as cooling water pumps for marine engines, bilge pumps, deckwash pumps, fresh water pumps, fuel transfer pumps and other applications. Also ideally suited on shore to empty septic tanks, to flush clean and to fill water tanks.

Available in sizes from 3/8" to 1 1/2" (4 l/min to 279 l/min).

Vacuum switch (see page 44) as extra accessory for F8B-8007 only.

Pump Body Bronze
Shaft Stainless steel
 The shaft is mounted with permanently lubricated double ball bearings

Seal Mechanical seal
Cam Full or reduced
Connection BSP or NPT



F35B-8007

HEAVY DUTY IMPELLER PUMPS

Part No.	Description**	Impeller	Connection	Length	Width	Height	Weight	Drive Shaft Ø
10-24569-51	F35B-8007	09-808B-1	3/8" NPT	109 mm – 4.29"	80 mm – 3.14"	30 mm – 1.18"	0.5 kg – 1.2 lbs	3/8"
10-24570-51	F4B-8007	09-810B-1 09-810B-9***	3/8" NPT	111 mm – 4.37"	80 mm – 3.15"	50 mm – 1.97"	0.8 kg – 1.8 lbs	3/8"
10-24571-51	F5B-8007	09-1027B-1 09-1027B-9***	3/4" NPT	151 mm – 5.95"	106 mm – 4.17"	50 mm – 1.97"	1.6 kg – 3.5 lbs	5/8"
10-24572-51	F7B-8007	09-1028BT-1 09-1028B-9***	1" NPT	170 mm – 6.69"	120 mm – 4.72"	50 mm – 1.97"	1.9 kg – 4 lbs	5/8"
10-13021-95	F8B-8007*	09-819B-00 09-819B-9***	1 1/4" NPT	217 mm – 8.54"	160 mm – 6.3"	65 mm – 2.56"	5.9 kg – 13 lbs	1"
10-13021-96	F8B-8007*	09-819B-00 09-819B-9***	1 1/2" NPT	217 mm – 8.54"	160 mm – 6.3"	65 mm – 2.56"	5.9 kg – 13 lbs	1"

*1" shaft keyed

**See page 55 for pump type specification system

***Pump with nitrile impeller available on request



10-24569-51
F35B-8007



10-24572-51
F7B-8007



10-13021-95
F8B-8007



10-13021-96
F8B-8007

FLEXIBLE IMPELLERS - OPERATING PRINCIPLE

- A vacuum is created as the flexible impeller vanes straighten upon leaving the cam, drawing liquid into the pump.
- The rotating impeller carries liquid from the inlet to the outlet port. As a consequence of their design, flexible impeller pumps can pass fairly large solids.
- When the flexible impeller vanes regain contact with the cam, they bend and the liquid is discharged from the pump in a uniform flow. Liquids can be pumped in the opposite direction by reversing the rotation of the pump.





10-24210-5
F5B-3007



10-24209-7
F7B-3007



10-13024-1
F8B-3000 VF



10-13026-7
F9B-3007



10-13175-01
F8B-3000 TSS



10-13225-01
F9B-3000 VF



10-13177-01
F9B-3000 TSS



10-13121-04
F95B-3007



EXTRA HEAVY DUTY IMPELLER PUMPS

Whenever you need greater strength or service from a pump, use an extra heavy duty flexible impeller pump with separate bearing housing and mechanical seal for less wear and longer life. These pumps cover the entire range of marine applications and may be used as cooling water pumps, bilge pumps, deckwash pumps, emergency and fire fighting pumps, etc.

Available in sizes from 3/4" to 2 1/2" (13 l/min to 625 l/min). Wearing parts are easily replaceable and service kits are available for all standard models. **Vacuum switch as extra accessory, see below.**

Part No.	Description*	Impeller	Connection	Length	Width	Height	Weight	Drive Shaft Ø
10-24210-5	F5B-3007	09-1027B-1 09-1027B-9-00**	3/4" NPT	195 mm – 7.68"	106 mm – 4.17"	88 mm – 3.46"	2,9 kg – 6.5 lbs	17 mm
10-24209-7	F7B-3007	09-1028BT-1 09-1028B-9**	1" NPT	213 mm – 8.38"	120 mm – 4.72"	93 mm – 3.66"	3,1 kg – 6.9 lbs	17 mm
10-13024-1	F8B-3000 VF	09-819B-00 09-819B-9**	Port Adaptor Kit	255 mm – 10.04"	152 mm – 5.98"	154 mm – 6.06"	7,6 kg – 16.5 lbs	1"
10-13026-7	F9B-3007	09-802B 09-814B***	2" NPT	282 mm – 11.1"	192 mm – 7.56"	157 mm – 6.18"	9,3 kg – 21 lbs	1"
10-13175-01	F8B-3000 TSS	09-819B-00 09-819B-9**	Port Adaptor Kit	255 mm – 10.04"	198 mm – 7.79"	151 mm – 5.94"	7,6 kg – 16.5 lbs	1"
10-13225-01	F9B-3000 VF	09-802B 09-814B***	Port Adaptor Kit	282 mm – 11.1"	152 mm – 5.98"	175 mm – 6.89"	9,3 kg – 21 lbs	1"
10-13177-01	F9B-3000 TSS	09-802B 09-814B***	Port Adaptor Kit	282 mm – 11.1"	200 mm – 7.87"	151 mm – 5.94"	9,3 kg – 21 lbs	1"

*See page 55 for pump type specification system

**Pump with nitrile impeller available on request

***Pump with alternative impeller available on request

EXTRA HEAVY DUTY, HIGH FLOW, IMPELLER PUMPS

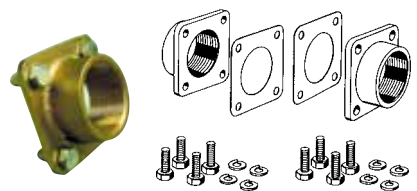
Part No.	Description**	Impeller	Connection	Length	Width	Height	Weight	Drive Shaft Ø
10-13121-04	F95B-3007	09-820B	2 1/2" NPT	354 mm – 13.93"	246/ 295 mm 9.68"/11.61"	226/ 201 mm 8.89"/7.91"	17,2 kg – 38 lbs	24 mm

**See page 55 for pump type specification system

PORT ADAPTOR KIT

Part No.	Description*
09-43112	1 1/2" BSP for F8B-3000/5000-VF, F8B-3000/5000-TSS
09-46557-01	2" BSP for F9B-3000/5600-VF and F9B-3000/5600-TSS
09-45562	1 1/2" NPT for F8B-3000/5000-VF, F8B-3000/5000-TSS
09-46557-02	2" NPT for F9B-3000/5600-VF and F9B-3000/5600-TSS

*See page 55 for pump type specification system



VACUUM SWITCH

For automatic shut off operation to prevent pump damage. The vacuum switch works with all self-priming impeller pumps and should be used for e.g. bilge pumping/emptying of tanks to prevent the pump from dry running. The vacuum switch automatically shuts the pump off when the bilge/tank is dry. With the switch fitted, you can start the pump by remote push button or manually by depressing lever on the switch.

Part No.	Description
09-45053	Vacuum Switch

HEAVY DUTY ELECTRO-MAGNETIC CLUTCH PUMPS

With an electro-magnetic clutch you will have pumping power whenever needed, at a push of a button, without being at the pump. Combined with a vacuum switch (recommended for bilge pump application), the clutch will automatically disengage whenever the pump starts priming air, thereby preventing dry running and pump damage. Automatically controlled pumps are available in sizes from 1" to 2½" (20 l/min to 625 l/min), with clutches in 12 or 24 volts. Wearing parts are easily replaceable and service kits are available for all standard models. Vacuum Switch as extra accessory, see page 44. **Clutch to be ordered separately.**



10-24577-98



10-13022-95



10-13022-96

Part No.	Description**	Impeller	Connection	Length	Width	Height	Weight
10-24577-98	F7B-50017	09-1028B	1" NPT	156 mm – .14"	120 mm – 4.72"	93 mm – 3.66"	5.8 kg – 12.7 lbs
10-13022-98	F8B-50017*	09-819B-00	1½" NPT	225 mm – 8.85"	160 mm – 6.29"	124 mm – 4.88"	9.9 kg – 22 lbs
10-13022-95	F8B-50017	09-819B-00	1¼" NPT	225 mm – 8.85"	160 mm – 6.29"	124 mm – 4.88"	9.9 kg – 22 lbs
10-13022-96	F8B-50017*	09-819B-00	1½" NPT	225 mm – 8.85"	160 mm – 6.29"	124 mm – 4.88"	9.9 kg – 22 lbs

* Same thread on -96 and -98. Footprint for -96 US version.
 ** See page 55 for pump type specification system

CHOICE OF CLUTCH

Part No.	Description
0.3454.001	Electro-Magnetic Clutch, 12V 2xA 7" Pulley
0.3454.002	Electro-Magnetic Clutch, 24V 2xA 7" Pulley
0.3454.003	Electro-Magnetic Clutch, 12V 1xB 7" Pulley
0.3454.004	Electro-Magnetic Clutch, 24V 1xB 7" Pulley
0.3454.050	Coil 12V
0.3454.051	Coil 24V



10-24116-98



10-13027-98



10-13176-99



10-13025-99



10-13226-99



10-13178-99

Note! Clutch to be ordered separately.

EXTRA HEAVY DUTY ELECTRO-MAGNETIC CLUTCH PUMPS

Part No.	Description*	Impeller	Connection	Length	Width	Height	Weight
10-24116-98	F7B-5007	09-1028B	1" NPT	226 mm – 8.9"	120 mm – 4.72"	93 mm – 3.66"	6.9 kg – 15 lbs
10-13025-99	F8B-5000 VF	09-819B-00	Port Adaptor Kit	265 mm – 10.43"	152 mm – 5.98"	154 mm – 6"	11.9 kg – 26 lbs
10-13176-99	F8B-5000 TSS	09-819B-00	Port Adaptor Kit	265 mm – 10.43"	198 mm – 7.79"	151 mm – 5.94"	11.9 kg – 26 lbs
10-13027-98	F9B-5607	09-802B 09-814B**	2" NPT	290 mm – 11.42"	192 mm – 7.56"	157 mm – 6.18"	13.2 kg – 29 lbs
10-13226-99	F9B-5600 VF	09-802B 09-814B**	Port Adaptor Kit	290 mm – 11.4"	152 mm – 5.98"	175 mm – 6.88"	13.2 kg – 27 lbs
10-13178-99	F9B-5600 TSS	09-802B 09-814B**	Port Adaptor Kit	290 mm – 11.4"	200 mm – 7.87"	151 mm – 5.94"	13.2 kg – 27 lbs

*See page 55 for pump type specification system
 **Pump with alternative impeller available on request



10-13143-98
F95B-5007

EXTRA HEAVY DUTY, HIGH FLOW ELECTRO-MAGNETIC CLUTCH PUMP

Part No.	Description**	Impeller	Connection	Length	Width	Height	Weight
10-13143-98	F95B-5007	09-820B	2½" NPT	358 mm 14.09"	246/295 mm 9.68"/11.61"	226/201 mm 8.89"/7.91"	21 kg – 46 lbs

The Port Adaptors can be fitted either vertically or horizontally.

**See page 55 for pump type specification system

Pump Body	Bronze Connection for vacuum switch	Cam	Full or reduced
Shaft	Stainless steel The shaft is mounted with permanently lubricated double ball bearings	Connection	BSP or NPT
Seal	Mechanical seal	Clutch	Electro-Magnetic 12/24V DC
		Pulley	2xA or 1xB-groove
		Pulley Ø	Ø 178 mm / 7"



10-24398-01
F7B-9

F7B-9 FLANGE MOUNT

John Deere flange mount PTO drive style cooling pump. Fits RE47016, 4039D and 4045T flange mount engines.

Part No.	Description**	Impeller
10-24398-01	F7B-9	09-1028BT-1
10-24398-02	F7B-9	09-1028BT-1

**See page 55 for pump type specification system



10-24907-01
F7B-9

F7B-9 FLANGE MOUNT

John Deere, Kohler Flange mount PTO drive style cooling pump. Fits John Deere powertech GBL6068TFM75/TFM Engines. Fits Kohler 40E02/33EF02, 65E02/55EF02, 30E02/20EF02, 99E02/80LF02.

Part No.	Description**	Impeller
10-24907-01	F7B-9	09-1028BT-1

**See page 55 for pump type specification system



10-35038-5
F35B-8027

F35B PEDESTAL STYLE

Gen set Engine cooling pump - pedestal style. Fits Onan engine and MAJB style engines. Fits universal 1.400000001, engine. Fits Arona, Nanni, Farymann, Fischer Panda and many more.

Part No.	Description**	Impeller
10-35038-5	F35B-8027	09-808B-1
10-35038-5E	F35B-8027	09-808B-1

**See page 55 for pump type specification system



10-13143-98
F95B-5007

F5B-9 CRANKSHAFT

Crankshaft style cooling pump featured on older style small block GM marine engines. Easy to access impeller design.

Part No.	Description**	Impeller
10-24228-1	F5B-9	09-1027B-10

**See page 55 for pump type specification system



10-24930-01
F6B-9

F6B-9 CRANKSHAFT

Crankshaft style cooling pump featured on Indmar, Marine Power, Volvo, PCM engines. 15% more flow. Industry standard.

Part No.	Description**	Impeller
*10-24930-01	F6B-9	09-812B-1

* Replaces 10-24805-01 + 10-24915-01

**See page 55 for pump type specification system



10-24428-01
F7B-9

F7B-9 CRANKSHAFT

John Deere Crankshaft style pump. Featured on John Deere 4039D, 4045T and RE49556 Engines. Mounts to crankshaft pulley.

Part No.	Description**	Impeller
10-24428-01	F7B-9	09-1028BT-1

**See page 55 for pump type specification system

Engine Cooling – Raw Water Handling

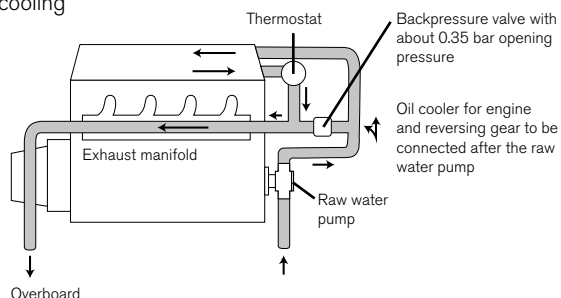
Flexible impeller pumps, F-series, provide an efficient solution to most raw water pumping needs. The primary advantage of a flexible impeller pump is its self-priming ability. As the vanes of the impeller are depressed and rebound, they create their own vacuum drawing fluid into the pump. A dry pump can lift water up to as much as 3 meters. Thus a flexible impeller pump being used for engine cooling needs not be located below the water line or manually primed. An added feature of flexible impeller pumps is that they can pass fairly large solids without clogging or damaging the pump. This reduces the need for filtering the incoming fluid.

For general raw or fresh water applications, the standard long lasting neoprene rubber impeller is used.

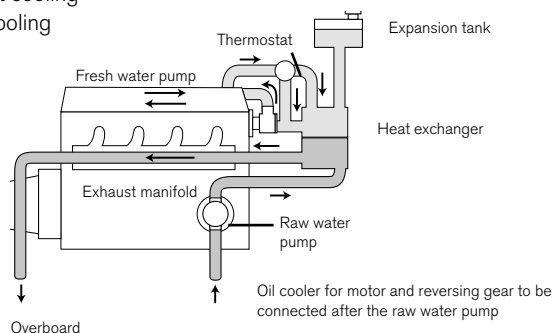
A general feature of all flexible impeller pumps is that they cannot be permitted to run dry for more than 30 seconds. Both the impeller and the seals depend upon the water for lubrication and will soon burn out if run dry. Wearing parts are easily replaceable, and service kits are available for all standard models.

DIFFERENT TYPES OF COOLING SYSTEMS

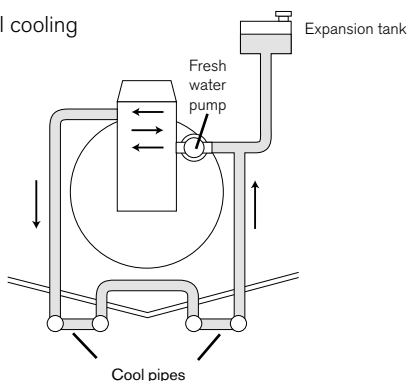
Direct cooling



Indirect cooling
Inter cooling

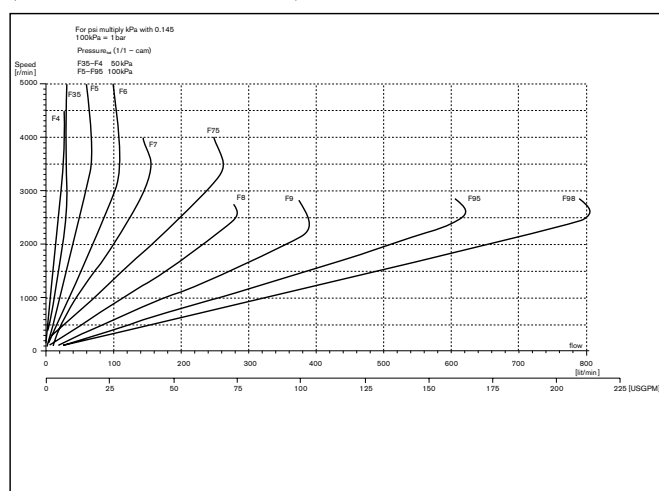


Keel cooling



CAPACITY RANGE

(based on water at 20°C/68°F)



FRESH WATER HANDLING

For circulation of the internal, closed, fresh water circuit of the cooling system Johnson Pump can offer a number of alternatives in its DC driven CM- and CO-series (see page 28 for further information). It is also common to use a flexible impeller pump for this purpose if it is located on the cold side of the system (max. 55°C). Other types of belt-driven centrifugal pumps may also be useful. The closed circuit normally transfers heat from the engine to the heat exchanger. The liquid is water and anti-freeze.

COOLING CAPACITY

The required output of the cooling pump – raw water as well as fresh water handling – is related to

- engine size and type (gasoline or diesel)
- type of cooling system (size of heat exchanger)
- water cooled engine oil, reverse gear, exhaust system

Contact your local dealer for more information, or for indirect cooling systems your supplier of heat exchangers.

PUMP MOUNTING

Engine cooling pumps, the F-series, are available in several different styles and sizes to satisfy different cooling system needs. Flanged pumps which mount directly to the engine and crank shaft pulley mounted pumps are available for a wide variety of engines. SPX FLOW Johnson Pump Marine is one of the original equipment pump supplier to the largest manufacturers world-wide of inboard engines. Both flange mounted and pulley driven pedestal pumps can be used to provide cooling with a maximum of ease and flexibility. Pump ports are available in sizes from 3/8" to 2 1/2".

FLANGE MOUNTED PUMPS

Flanged pumps are normal pumps produced in high volumes, customer designed for flange-mounting at a power take off of the engine. Different types of drives can be used but mainly gears or any type of driving members are used.

CRANK SHAFT PULLEY MOUNTED

These pumps are designed for direct installation on the engine crank shaft pulley. Max. revs. 5.000 per minute.

To prevent the pump from rotating, a torque bracket from the fastening point on the pump body to a suitable point on the engine has to be used.

PEDESTAL MOUNTED PUMPS

Pulley driven pedestal mounted pumps are used when a free driving pulley is available on the engine.

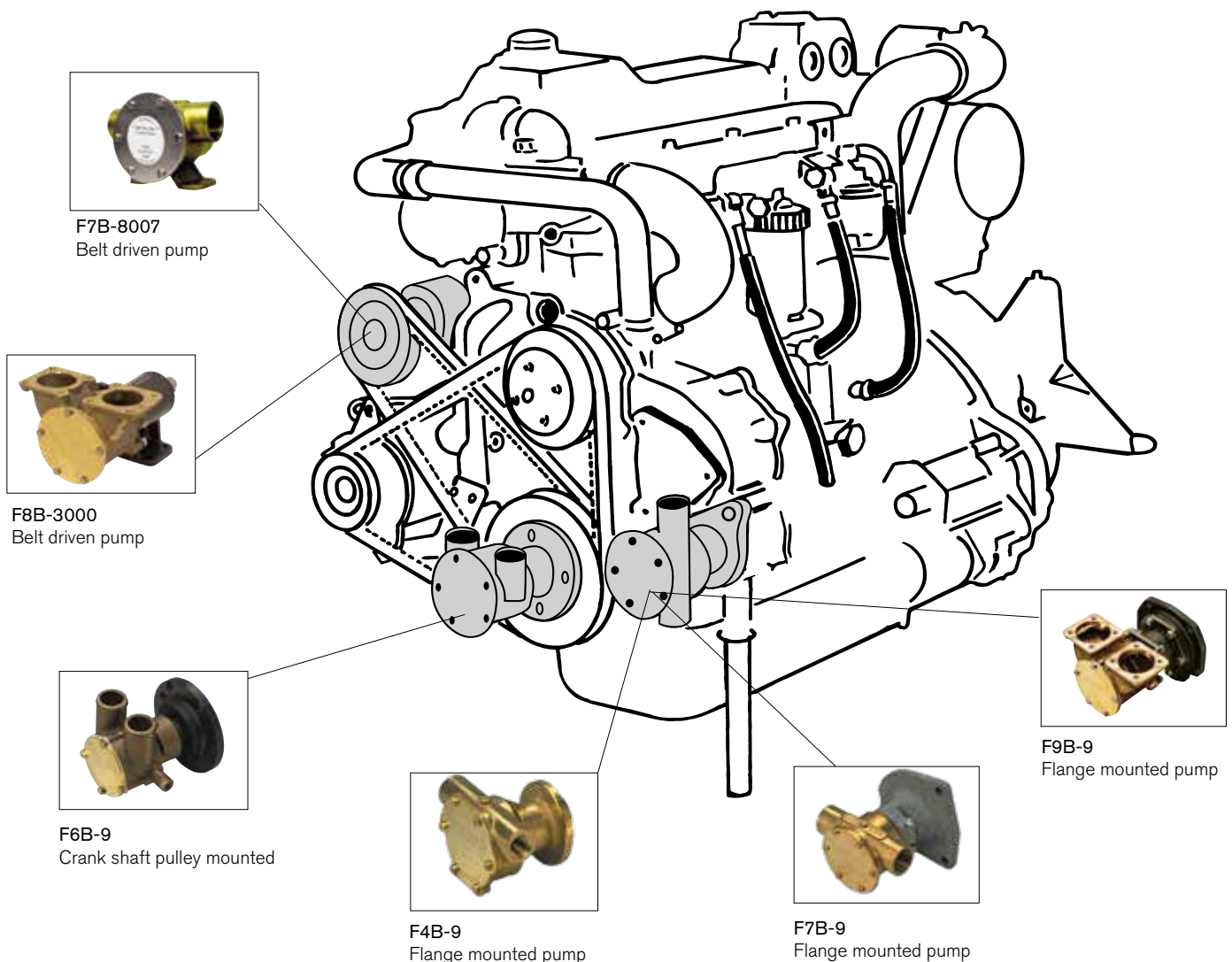
Two different types of pedestal mounted pumps are supplied:

▪ **FB-8 BSP / FB-8007 NPT**

A range of bronze pumps in compact design. Ideal as cooling water pumps in marine engines. Available in sizes from 3/8" to 1 1/2", all with permanently lubricated double ball bearings and mechanical seal.

▪ **FB-3000 BSP OR FLANGE / FB-3007 NPT**

A range of extra heavy duty pedestal mounted pumps excellent for cooling purpose in commercial vessels. The design means separate bearing housings with permanently lubricated double ball bearings, mechanical shaft seal for extended service life. Wetted parts as wear plate, cam and endcover are easily replaceable.



F7B-8007
Belt driven pump



F8B-3000
Belt driven pump



F6B-9
Crank shaft pulley mounted



F4B-9
Flange mounted pump

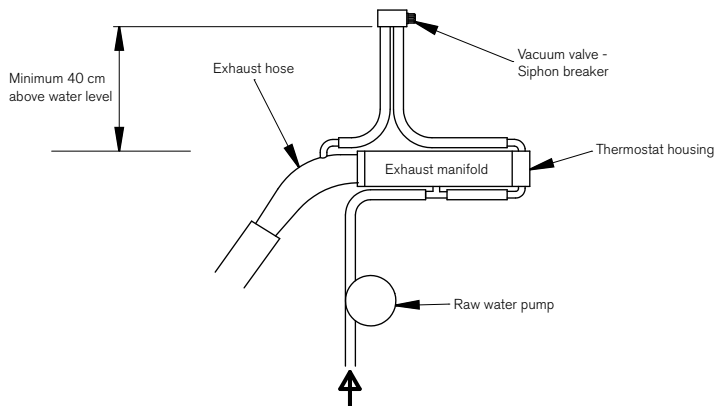


F7B-9
Flange mounted pump

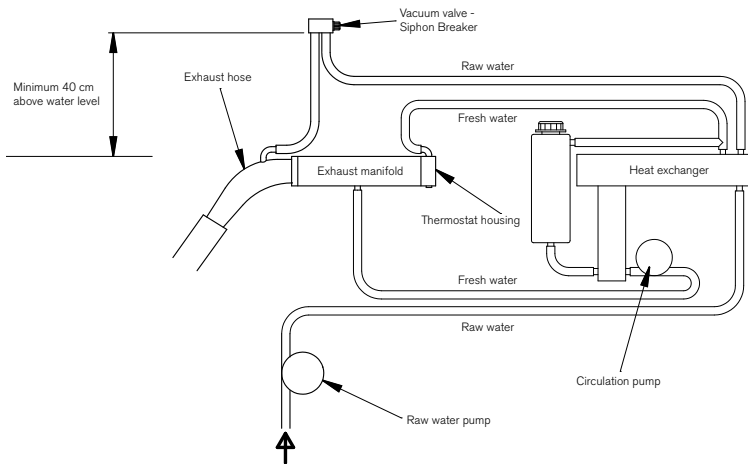


F9B-9
Flange mounted pump

Raw Water Cooled Engine



Fresh Water Cooled Engine



- Non corrosive
- Easy to install
- Does not leak
- High quality plastic
- 5 spud sizes

VACUUM VALVE - SIPHON BREAKER

A vacuum valve is a cheap insurance against water intrusion in a engine with expensive repairs as a consequence. The maximum ambient temperature should not exceed 60 °C.

The valve opens at a pressure which is equivalent to 3-5 cm Water Column. The materials which are used are resistant to sea water and fresh water, and to glycol compounds in appropriate concentrations. Avoid exposing the valve to oil and grease. If it has been in contact with such substances, please clean or replace it.

Part No.	Description
09-47316-01	Vacuum Valve 12 mm
09-47316-02	Vacuum Valve 16 mm
09-47316-03	Vacuum Valve 19 mm

Part No.	Description
09-47316-04	Vacuum Valve 22 mm
09-47316-05	Vacuum Valve 25 mm
09-47316-06	Service Kit Vacuum Valve



09-47165-01



09-47163-01



09-36166-01



09-950-9300



09-47086

Part No.	Description
09-47165-01	Puller for 09-1028BT
09-47163-01	Puller for 09-821BT
09-36166-01	Puller for 09-820B

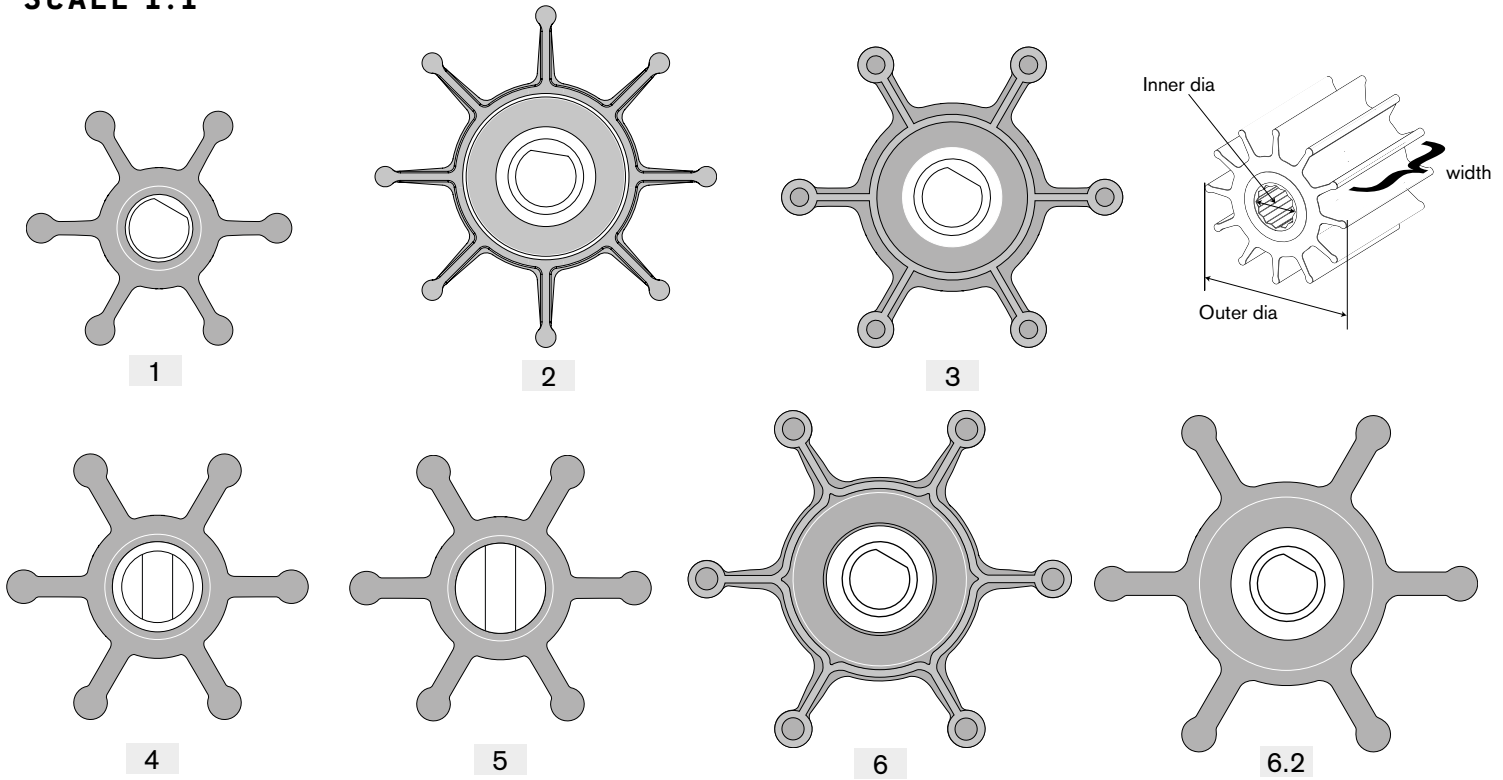
Part No.	Description
09-950-9300	JP Impeller

Part No.	Description
09-47086	Impeller Lubricant Display

Take good care of the cooling system - change to a new impeller every year!

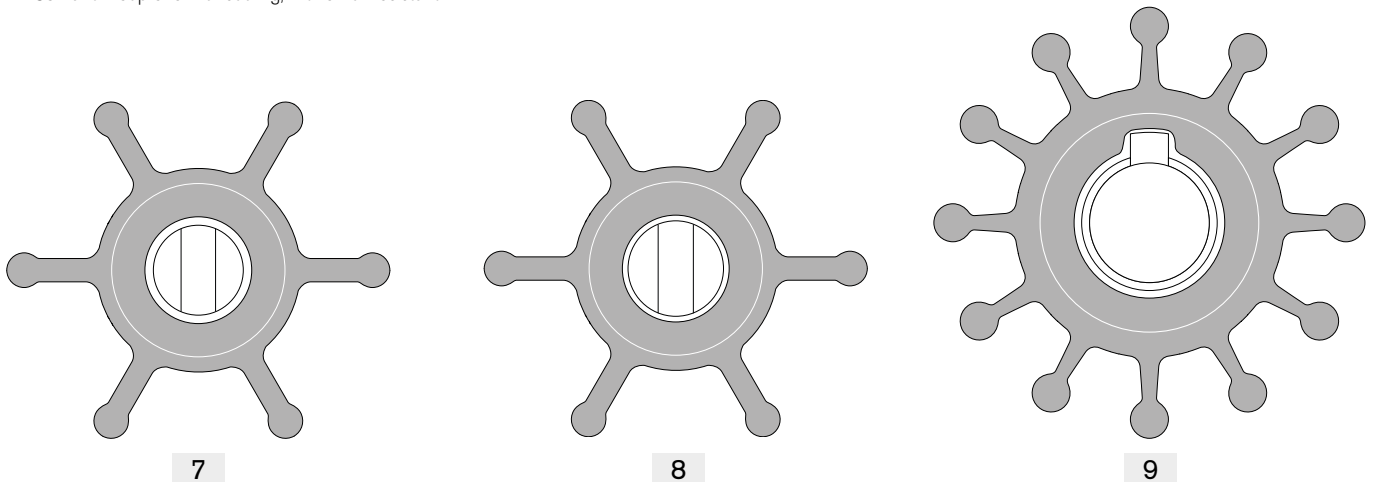
SPX FLOW's Johnson Pump Marine Brand Original Impellers

SCALE 1:1



Ref.	Pump	Impeller	Material *	Outer dia		Inner dia		Width		Replaces Jabsco No	
				mm	inch	mm	inch	mm	inch	Europe	USA
1	F2	09-1077B-9	Nitrile	35.2	1.29	8.0 / Flat	0.31 / Flat	12.7	0.50		
2	F3	09-843S-9	Nitrile	45.2	1.78	8.0 / Flat	0.31 / Flat	12.8	0.50		
3	TA3P10	09-1052S-9	Nitrile	45.2	1.78	8.0 / Flat	0.31 / Flat	12.8	0.50		
4	F35	09-806B-1	MC97	40.0	1.58	9.5	0.37	19.0	0.75		4528-0001
5	F35	09-808B-1	MC97	40.0	1.58	12.0	0.47	19.0	0.75		22405-0001
6.2	F4	09-824P-1EZ	Polyurethane	50.8	2.00	8.0 / Flat	0.31 / Flat	22.0	0.87		6303-007-P "Green Impeller"
6	F4	09-824P-9	Nitrile	50.8	2.00	8.0 / Flat	0.31 / Flat	22.0	0.87		6303-0003

* MC97 and Neoprene - for cooling, Nitrile - oil resistant

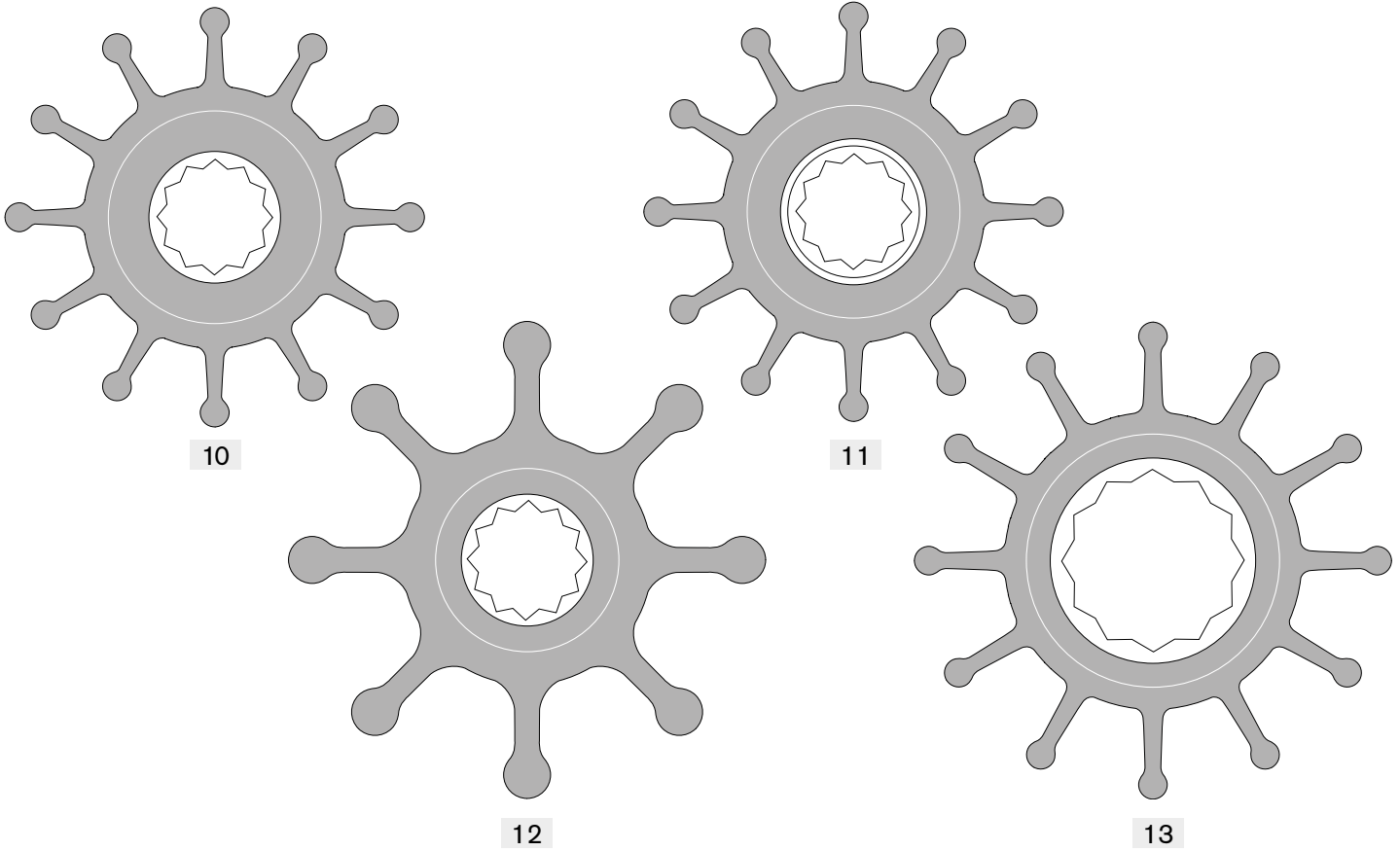


Ref.	Pump	Impeller	Material *	Outer dia		Inner dia		Width		Replaces Jabsco No	
				mm	inch	mm	inch	mm	inch	Europe	USA
7	F4	09-810B-1	MC97	50.8	2.00	12.0	0.47	22.0	0.87		18653-001
7	F4	09-810B-9	Nitrile	50.8	2.00	12.0	0.47	22.0	0.87		
8	F4	09-1026B-1	MC97	50.8	2.00	12.7	0.50	22.0	0.87		673-0001
8	F4	09-1026B-9	Nitrile	50.8	2.00	12.7	0.50	22.0	0.87		673-0003
9	F5	09-801B	Neoprene	57.1	2.25	15.9 Key	0.63 / Key	31.5	1.24		4568-0001

* MC97 and Neoprene - for cooling, Nitrile - oil resistant

SPX FLOW's Johnson Pump Marine Brand Original Impellers

SCALE 1:1



Ref.	Pump	Impeller	Material *	Outer dia		Inner dia		Width		Replaces Jabsco No	
				mm	inch	mm	inch	mm	inch	Europe	USA
10	F5	09-1027B-1	MC97	57.1	2.25	Splines		31.5	1.24	1210-0001	
10	F5	09-1027B-10	MC97	57.1	2.25	Splines		31.85	1.24		
10	F5	09-1027B-9-00	Nitrile	57.1	2.25	Splines		31.5	1.24	1210-0003	
11	F6	09-812B-1	MC97	57.1	2.25	Splines		48.2	1.90	13554-0001	
11	F6	09-812BT-1	MC97	57.1	2.25	Splines		48.2	1.90	13554-0001	
12	F7	09-1028BT-1**	MC97	65	2.56	Splines		50.2	1.98	17937-0001	
12	F7	09-1028B-9	Nitrile	65	2.56	Splines		50.2	1.98	17937-0003	
13	F75	09-821BT-1**	MC97	65	2.56	Splines		80	3.15		

* MC97 and Neoprene - for cooling, Nitrile- oil resistant

** BT-1 replaces B

Benefits with flexible impellers from Johnson Pump®

- Stable pressure delivery over time
- Significantly longer service life
- Excellent self-priming capability
- Minimized swelling
- Minimized failures due to fatigue
- Correct impeller dimensions
- Correct cooling flow & sufficient cooling directly at start up

SPXFLOW
Johnson Pump®

RELIABILITY ON BOARD
- SINCE 1968-

Original Impellers
MORE FLOW - BETTER PERFORMANCE

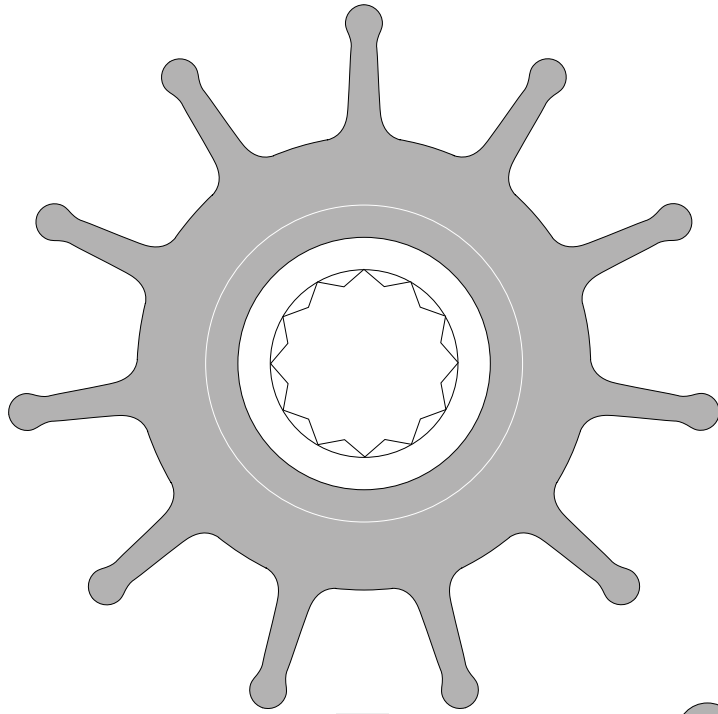


Johnson Pump®

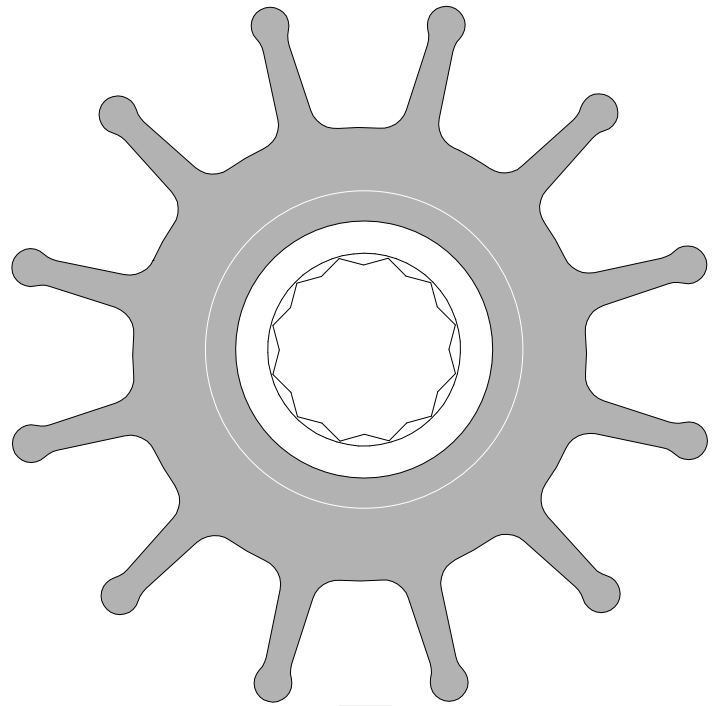
www.spxflow.com

SPX FLOW's Johnson Pump Marine Brand Original Impellers

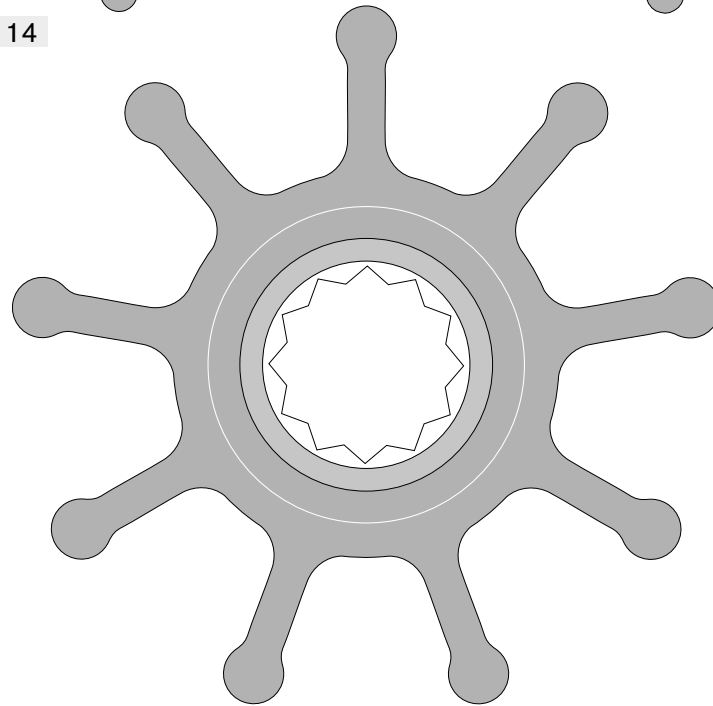
SCALE 1:1



14



15



16

Ref.	Pump	Impeller Kit	Material*	Outer dia		Inner dia		Width		Replaces Jabsco No	
				mm	inch	mm	inch	mm	inch	Europe	USA
14	F8	09-819B-00	Neoprene	95	3.74	Splines		63	2.48	836-0001	17935-0001
14	F8	09-819B-9	Nitrile	95	3.74	Splines		63	2.48	836-0003	17935-0003
16	F8	09-1029B ¹⁾	Neoprene	95	3.74	Splines		63	2.48	836-0001	17935-0001
15	F9	09-814B	Neoprene	95	3.74	Splines		88.5	3.48	21676-0001	17936-0001
15	F95	09-820B	Neoprene	95	3.74	Splines		130	5.12		
15	F98	09-842B	Neoprene	95	3.74	Splines		180	7.09		
16	F9	09-802B	Neoprene	95	3.74	Splines		88.5	3.48	6760-0001	

¹⁾ Alternative impeller 09-819B-00

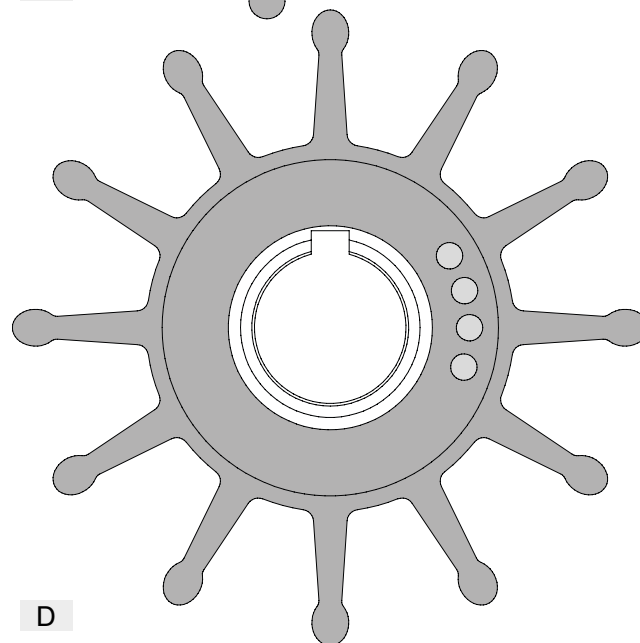
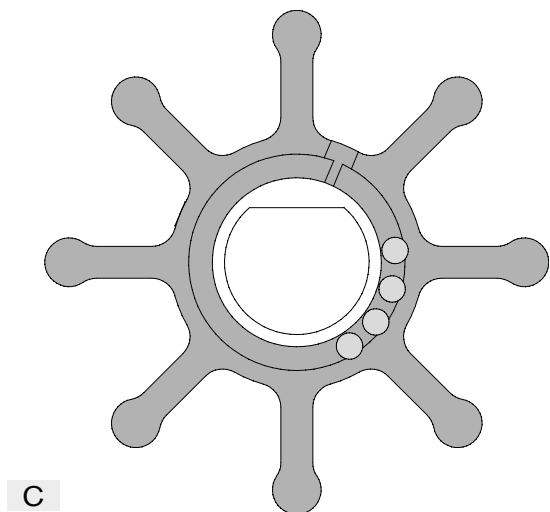
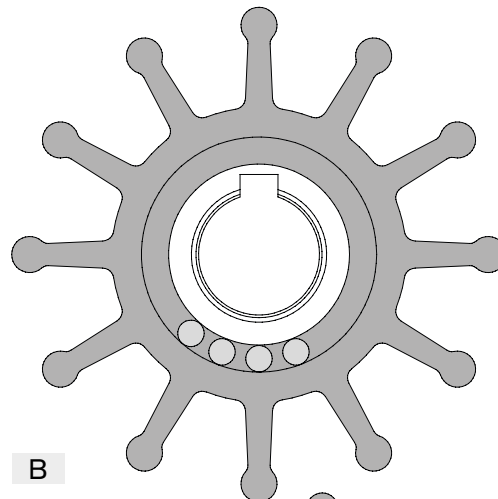
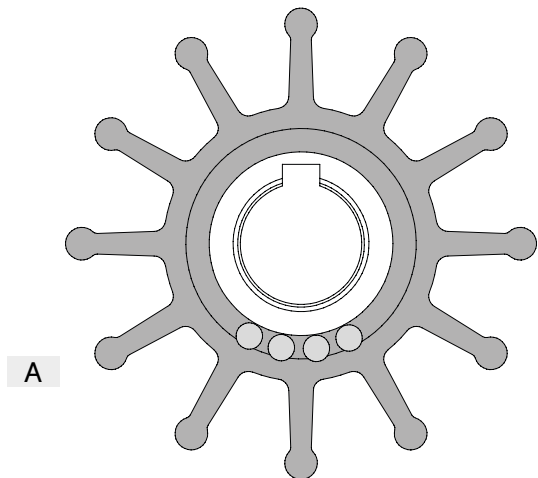
* MC97 and Neoprene - for cooling, Nitrile - oil resistant

Sherwood / Mercruiser Impeller Replacement Program

SCALE 1:1

Sherwood / Mercruiser owners can now take advantage of premium replacement impellers from SPX FLOW Johnson Pump Marine; documented superior to the competition. We do not venture into this market lightly. We have prepared ourselves well.

- Engineering time in excess of 2000 hours
- More than 80,000 hours of continuous testing
- Manufactured from our MC 97 rubber compound



Ref.	Pump	Impeller	Material*	Outer dia		Inner dia		Width		Replaces Jabsco No	
				mm	inch	mm	inch	mm	inch	Europe	USA
A		09-701B-1	MC97	62.3	2.45			31.8	1.25	18838-0001	
B		09-702B-1	MC97	65.4	2.57			41.4	1.63	18948-0001	
C		09-703P-1	MC97	66.7	2.63			51	2.01	17954-0001	
D		09-704BT-1	MC97	84.1	3.31			73.4	2.89	18958-0001	

* MC97 and Neoprene - for cooling, Nitrile - oil resistant

IMPELLER REPLACEMENT KITS

Ref.	SPX FLOW Johnson Pump part no.	Sherwood part no.	Mercruiser part no.	Jabsco part no.	Engines / Pumps
A	09-701B-1	9959K	-	18838-0001	Chris Craft; Chrysler Marine; Commander; Crusader; Glastron Boat Co.; Gray Marine; Interceptor; Onan; OMC; Pathfinder VolksWagon Eng.; Perkins Eng. U.S.; Plesurecraft Marine; Universal Medalist; Volvo Penta; Yamaha; Westerbeke 24102; Sherwood 11353; Pleasure Craft 302&351; Chris Craft 350; Onan MDL3,4
B	09-702B-1	10615K	-	18948-0001	Chris Craft; Chrysler Marine; Commander; Crusader; Escort (Skiltec); Gray Marine; Isuzu; Lenco; Marine Power; North American Engine; Onan; Osco Motors; OMC; Perkins Engine U.S.; Plesurecraft Marine; Volvo Penta; J.H. Westerbeke Corp; Crusader 97179; Chrysler 3675763; Chrysler 4142878; Cummins 4B; Onan MDL6; Chris Craft 454; Pleasure Craft 454
C	09-703P-1	-	47-59362T	17954-0001	Pump Quicksilver Model 46-72774 A32
D	09-704BT-1	17000K	-	18958-0001	Cummins 6B 300Hp B Series; Cummins C Series; CAT 3208; CAT 3116; CAT 3126; Deere 6076; Sherwood Pump P17 series

Key to SPX FLOW Johnson Pump type specification system

Pump types F2–F95 (excluding F70, F80 and F100)

Example:

F 7 B - 3 0 0 0

Pump type

F = Flexible Impeller

Pump size

- 2
- 3/35
- 4
- 5
- 6
- 7
- 75
- 8
- 9
- 95
- 98

Generally increasing size

Body material

B = Bronze P1
 = Epoxy

Port connection

0 = BSP thread
7 = NPT thread (on request)

Cam size

0 = 1/1 - Standard
2 = 1/2
3 = 2/3

Impeller material

0 = Neoprene
2 = Polyurethane
5 = Neoprene - Intermediate pressure
6 = Neoprene - High pressure
9 = Nitrile

Mounting

- 1 = Flange mounted to the motor
- 3 = Pedestal mounted with double ball bearings and mech. seal.
- 5 = Pedestal mounted with double ball bearings and mech. seal, magnetic clutch operated.
- 5001 = Compact unit with lip seal *)
- 8 = General purpose with double ball bearings and lip seal *)
- 9 = Custom, follows customer's specification

*) F8B-5001, F8B-8 also available with mechanical seal

TSS The Space Saver

VF Vertical Flange

Art.No	Page	Art.No	Page	Art.No	Page	Art.No	Page
0.3454.001	45	09-45595	33	10-13350-04	32	10-24502-04	30
0.3454.002	45	09-46551	30	10-13373-03	32, 37	10-24503-03	30
0.3454.003	45	09-46553	27	10-13373-04	32, 37	10-24503-04	30
0.3454.004	45	09-46557-01	44	10-13373-07	33	10-24504-03	30
0.3454.050	45	09-46557-02	44	10-13373-08	33	10-24504-04	30
0.3454.051	45	09-46780	11	10-13395-103	6	10-24516-03	26
01-24814	19	09-46781-01	7,11	10-13395-104	6	10-24516-04	26
01-24815	19	09-46781-03	7,11	10-13399-03	8	10-24569-51	43
01-36012 P02	10,11	09-46839-01	11	10-13399-04	8	10-24570-51	43
01-36035	32	09-46839-02	11	10-13399-0311	9	10-24571-51	43
01-36051	32	09-46938	10	10-13399-0411	9	10-24572-51	43
01-36099-1	11	09-46939	10	10-13405-103	6	10-24577-98	45
01-36192	32	09-46957	10	10-13405-104	6	10-24604-103	6
09-701B-1	54	09-46958	10	10-13406-103	6	10-24604-104	6
09-702B-1	54	09-47086	50	10-13406-104	6	10-24664-09	30
09-703P-1	54	09-47087	10	10-13406-107	6	10-24664-10	30
09-704BT-1	54	09-47088	10	10-13406-108	6	10-24677-03	23
09-801B	51	09-47089	10	10-13407-07	8	10-24689-03	26
09-802B	45, 53	09-47092	10	10-13407-08	8	10-24689-04	26
09-806B-1	51	09-47094	10	10-13408-01	7	10-24690-03EZ	26
09-808B-1	43,46,51	09-47098	10	10-13408-02	7	10-24690-04EZ	26
09-810B-1	43, 51	09-47148	32	10-13408-03	7	10-24727-03	26
09-810B-9	43, 51	09-47149	32	10-13408-04	7	10-24727-04	26
09-812B-1	47, 53	09-47163-01	50	10-13409-01	7	10-24728-03	8
09-814B	44, 45, 53	09-47165-01	50	10-13409-02	7	10-24728-04	8
09-819B-00	43, 44,45, 53	09-47196	26, 27	10-13410-01	8	10-24750-09	30
09-819B-9	43,44,53	09-47316-01	50	10-13410-02	8	10-24750-10	30
09-820B	44,46,50,53	09-47316-02	50	10-13411-01	8	10-24760-03	26
09-821BT-1	52	09-47316-03	50	10-13411-02	8	10-24760-04	26
09-824P-1EZ	26,51	09-47316-04	50	10-13530-01	17,37	10-24800-01	17
09-824P-9	26, 51	09-47316-05	50	10-13576-02	29	10-24886-01	26
09-842B	53	09-47316-06	50	10-13577-02	29	10-24886-02	26
09-843S-9	26, 51	09-60616	8	10-13578-02	29	10-24898-01	29
09-950-9300	50	09-CD65582	8	10-22020-101	9	10-24898-02	29
09-1026B-1	51	10-13021-95	43	10-24116-98	45	10-24901-01	29
09-1026B-9	51	10-13021-96	43	10-24188-4	27	10-24901-02	29
09-1027B-1	43,44,46,52	10-13022-95	45	10-24188-5	27	10-24907-01	46
09-1027B-9-00	27, 44, 45, 53	10-13022-96	45	10-24190-1	30	10-24930-01	46
09-1027B-10	46, 52	10-13022-98	45	10-24190-2	30	10-35038-5	46
09-1028B-9	43,44,52	10-13024-1	44	10-24209-7	44	10-35038-5E	46
09-1028BT-1	43,44,46,52	10-13025-99	45	10-24210-5	44	32-47258-003	16
09-1029B	53	10-13026-7	44	10-24228-1	46	32-47259-003	16
09-1052S-9	33,51	10-13027-98	45	10-24398-02	46	32-47260-003	16
09-1077B-9	26, 51	10-13121-04	44	10-24398-01	46	32-47261-002	16
09-10616	11	10-13143-98	46	10-24428-01	46	36-503-023	29
09-13384	33	10-13175-01	44	10-24453-01	33	56-47455-01	40,41
09-24652-02-CN	10	10-13176-99	45	10-24453-02	33	56-47455-02	40,41
09-24652-04-CN	10	10-13177-01	44	10-24486-03	30	56-47455-03	40,41
09-24653-02-CN	10,11	10-13178-99	45	10-24486-04	30	56-47455-04	40,41
09-24653-03-CN	10	10-13225-01	44	10-24487-03	30	56-47456-01	40,41
09-24792	19	10-13226-98	45	10-24487-04	30	56-47456-02	40,41
09-24794	19	10-13226-99	45	10-24488-03	30	56-47456-03	40,41
09-24818	19	10-13252-103-BW	23	10-24488-04	30	56-47456-04	40,41
09-36166-01	50	10-13252-107-BW	23	10-24489-03	30	56-47457-01	40,41
09-36250	17,37	10-13329-103	7	10-24489-04	30	56-47457-02	40,41
09-43112		10-13329-104	7	10-24501-03	30	56-47457-03	40,41
09-45053	27, 44	10-13350-03	32	10-24501-04	30	56-47457-04	40,41
09-45562	44	10-13350-03-003	33	10-24502-03	30	56-47458-01	40,41

Art.No	Page	Art.No	Page	Art.No	Page	Art.No	Page
56-47458-02	40,41	81-47519	36	36303	15,18,20	82044	18
56-47458-03	40,41	81-47520-01	37	38103	22	82044-24V	18
56-47458-04	40,41	01604-00	13	38123	22	82054	22
56-47459-01	40,41	01604-002	13	38503	22	JP-83000	18
56-47459-02	40,41	01674-001	13	38703	22	90061	24
56-47459-03	40,41	01674-002	13	40004	13	90191-00	24
56-47459-04	40,41	02204-00	13	40057	11	90261	24
56-47464-01	40	02204-002	13	40084	13	90331	24
56-47464-02	40	02274-001	13	42123	14	90511	24
80-47229-01	34,35	02274-002	13	42123-24	14	90681-00	24
80-47230-01	34,35	05503-00	15	JP-42522	19	90791	24
80-47231-01	34,36	05703-00	15	48103	22	92105	19
80-47231-02	34,36	05903-00	15	48503	22	92205	19
80-47232-01	34,36	06203-00	15	48703	22	200600032	11
80-47232-02	34,36	07503-00	14	48903	22		
80-47416-01	39	07703-00	14	51123PK	19		
80-47416-02	39	07903-00	14	51124PK	19		
80-47417-01	39	07904-24VRCE	14	54033	22		
80-47417-02	39	08203-00	14	54061-24PK	13,19		
80-47418-01	39	08203-24	14	54124	39		
80-47418-02	39	10605-00	19	54154	39		
80-47419-02	39	10606-00	13,19,23	54264PK	13		
80-47420-01	39	10607-00	13,19,23	54274PK	13		
80-47420-02	39	10615-00	11	54304PK	15		
80-47421-01	39	16004-00	13,23	57151	15		
80-47421-02	39	16004B	23	57151-24	15		
80-47422-02	39	16004B-24	23	60000	23		
80-47435-01	34,35	16084-00	13,23	61104-00	11		
80-47435-02	34,35	20195	18	61115	11		
80-47436-01	34,35	20255	18	61121	11		
80-47436-02	34,35	20375	18	61122	11		
80-47508-01	27	JP-21405	16	61123	9		
80-47508-02	27	21405HP	16	61125	22		
80-47626-01	34,35	22004	13	61127A	11		
81-36105-01	37	22084	13	61155	11		
81-47237-01	37	22102	16	64534	9		
81-47237-02	37	22502	16	64534-24	9		
81-47237-03	37	22702	16	64534CL	9		
81-47238-01	37	24052	23	JP-64535	9		
81-47239-01	37	26014	20	64634	9,22		
81-47240-01	37	28103-00	22	64736-00	8		
81-47240-02	37	28123	22	65000	27		
81-47241-04	36	28503	22	66302	39		
81-47241-07	36	28512	15,19	66402	39		
81-47242-01	36	28512-24V	15	69103PK	11		
81-47243-01	36	28552	19	70195	24		
81-47244-01	36	28572	19	71245	24		
81-47246-01	36	28703	22	72303	18		
81-47246-02	36	32503	14	72303-001	18		
81-47247-01	36	32703	14	72303-002	18		
81-47248-01	36	32903	14	74105-00	24		
81-47248-02	36	32903-24V	14	75035-00	24		
81-47268-01	36	33103	14	75095	24		
81-47269-01	36	33703	14	75125	24		
81-47273-01	36	34014	23	77125	24		
81-47274-01	36	34024	23	82004	18		
81-47301-01	37	36152	15,20	82004-24V	18		
81-47301-02	37	36252	20	82024	11		

What differentiates a Johnson Pump Bilge Pump?

Johnson Pump 2200 GPH

Competitor 2000 GPH



Johnson Pump 2200 GPH Advantages To The Competition

Johnson Pump Model 2200 GPH	Johnson Pump Advantages
Motor Assembly Hermetically Ultrasonically Welded	Assured Water Proof / Tightness
15 Degree Discharge On Top Of Pump Housing	Easy Installation For Routing Of Hose
External Hose Barb For Hose Attachment	No Cracking Of Pump Housing Due To Over Clamping Pressure
Check Valves Included In Pump Body	Prevent Excess Water From Coming Down Hose And Restarting Your Automatic Bilge Pump
12 Pole Motor	Less Wear And Tear On Rotor
Larger Stack On Stator	Heavy Duty Motor For Heat Dissipation
Mechanical Seal	Higher Pump Longevity, Less Prone To Scoring, Shaft Damage
Double Ball Bearing Motor Design	Better Motor Rotor Support, Less Rotor Deflation, Higher Motor Longevity
Balanced Motor Design	Balance Reduces Motor Noise And Vibration, Reduces Load On Bearings For Improved Motor Performance
Assembled In USA	In House Control And Over Sight

Notes

SPXFLOW

RELIABILITY ON BOARD
-SINCE 1968-

Johnson Pump®



Follow Johnson Pump on Social Media



Johnson Pump®



Your local contact:

Customer Service & Support - Johnson Pump Marine

Service Phone: +1 847 671 7867

E-mail: jp-customerservice@spxflow.com

SPX FLOW Inc.

5885 11th Street

Rockford, Illinois 61109



For more information about our worldwide locations, approvals, certifications, and local representatives, please visit Johnson Pump - Marine at www.spxflow.com

SPX FLOW, Inc. reserves the right to incorporate our latest design and material changes without notice or obligation.

Design features, materials of construction and dimensional data, as described in this bulletin, are provided for your information only and should not be relied upon unless confirmed in writing.

Please contact your local sales representative for product availability in your region.

For more information visit www.spxflow.com.

The green "j" and "x" are trademarks of SPX FLOW, Inc.