

# ULPC-L product information sheet



The Ultra Low Profile Series of fixed, tilt and full motion mounts offers a sleek and slim design without compromising functionality. With an impressively low 3.4" (86mm) mounting profile, the ULPC-L is a large full motion mount perfectly suited for those applications where seamless integration counts most.

## Product Benefits

- Arms completely nest for a discreet 3.4" (85mm) mounting profile
- Tilt, pan and swivel for maximum viewing flexibility
- Steel tube construction for maximum strength and durability
- Includes universal adapter for greater VESA compatibility
- Rack and pinion tilt mechanism for effortless adjustment
- Integrated cable management with quick-snap covers guide wires
- Built-in screen leveling
- Lift n' Lock™ allows you to easily attach your TV to the mount
- Sliding on-wall adjustment (10" lateral; 2" vertical)
- Wide wall plate design for 16", 24" or 600mm studs
- Safety screw secures TV to mount
- Wall plate covers conceal mounting hardware
- Installation template for simple and accurate mounting

- Interchangeable cable covers for a customized look (available as an accessory)
- Includes complete hardware kit

## Product Specifications

**Fits most:** 37–55" TVs

**Supports up to:** 150 lbs (68.0 kg)

**Tilt:** +15° to -5°

**Mounting profile:** 3.4" (85mm)\*

**Maximum extension:** 26.3" (668mm)\*

**Universal & VESA compliant:**

200wx100h to 900wx500h

**Mounting:** Double-stud

**Warranty:** 5 years

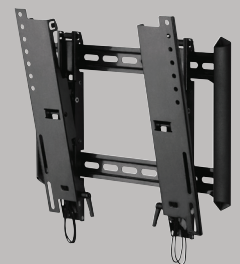
**Color:** Black

\*Adapter adds 0.8" (20mm)

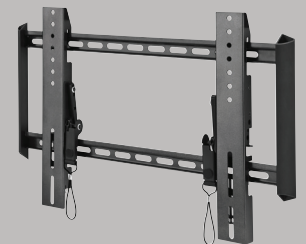
## Series



FULL MOTION MOUNTS



TILT MOUNTS



FIXED MOUNTS



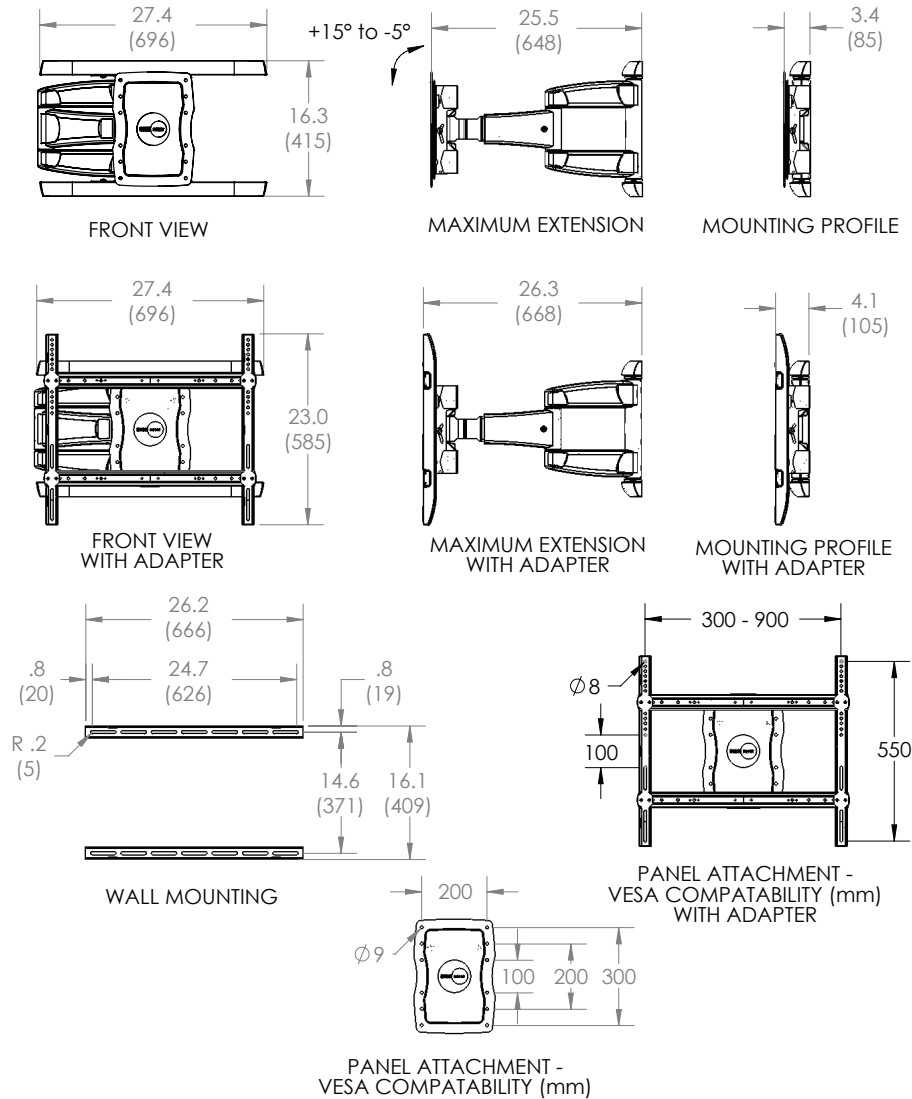
With OmniMount's low profile cantilevers, your customers will get everything they want in one mount – the functionality and versatility of a full motion mount in a compact and discreet design

**800.MOUNT.IT (800.668.6848)**



11032011

# ULPC-L technical data sheet



inches (mm)

	Packaging UPC	MC UPC
Americas	728901023750	728901717208
International	728901023750	728901717208

	Dimensions WxDxH Inches (mm)	Wt lbs (kg)	Qty
Box	28.5 x 34.3 x 8.1 (725x870x205)	58.4 (26.5)	NA
MC	NA	NA	NA

Box Contents	Qty
Monitor plate	1
Universal adapter	1
Wall rail	2
Wall rail cover	2
Cantilever arm	1

Box Contents	Qty
Cable cover	3
Complete mount installation hardware kit	1
Complete panel attachment hardware kit	1
Installation template	1
Instruction manual	1

