

Dual HF

COM1 - Concealed wiring
 EAN 4007841 002978
 Article number 002978



Hochfrequenz
Sensor 360°



Max. 20 x 3 m

2000 W

2000 W Max. (LED-fähig)



IP20



Ideal 2,5 - 3,5 m



Innen-Bewegungsmelder

iQ

iQ-mode

Teach

Teach mode



Energie sparen

5 years

Herstellergarantie
 steinel-
 professional.de/
 garantie

Function description

Twice as vigilant! High-frequency corridor sensor Presence Control PRO Dual HF COM1 for indoors, ideal for passageways and long corridors, installation height up to 3.5 m, for switching light 'ON' and 'OFF', DUAL-HF technology for detecting radial movement over up to 20 m in two directions, detection regardless of temperature, HF-sensor technology detects movement through glass, wood and stud walls, switches light 'ON' almost instantly.

Technical specifications

Dimensions (L x W x H)	74 x 120 x 120 mm
Manufacturer's Warranty	5 years
Settings via	Remote control, DIP switches, Potentiometers, Smart Remote
With remote control	No
Version	COM1 - Concealed wiring
PU1, EAN	4007841002978
Type	Presence detector
Application, place	Indoors
Application, room	corridor / aisle, Indoors
Colour	white
Colour, RAL	9010
Includes corner wall mount	No
Installation site	ceiling
Installation	Concealed wiring, Ceiling
IP-rating	IP20
Ambient temperature	-25 – 55 °C

Technology, sensors	High frequency, Light sensor
Mounting height	2,50 – 3,50 m
Mounting height max.	3,50 m
Optimum mounting height	2,8 m
HF-system	5,8 GHz
Detection	also through glass, wood and stud walls
Detection angle	Aisle, 360 °
Angle of aperture	140 °
Sneak-by guard	Yes
Capability of masking out individual segments	No
Electronic scalability	Yes
Mechanical scalability	No
Reach, radial	20 x 3 m (60 m ²)
Reach, tangential	20 x 3 m (60 m ²)
Transmitter power	< 1 mW

Dual HF

COM1 - Concealed wiring
 EAN 4007841 002978
 Article number 002978



Technical specifications

Material	Plastic	Functions	Normal / test mode, Semi-/fully automatic, Pushbutton / switch mode, Manual ON / ON-OFF
Mains power supply	230 V / 50 – 60 Hz	Twilight setting	10 – 1000 lx
Fluorescent lamps, electronic ballast	1500 W	Time setting	30 s – 30 Min.
Fluorescent lamps, uncorrected	1000 VA	Basic light level function	No
Fluorescent lamps, series-corrected	1000 VA	Main light adjustable	No
Fluorescent lamps, parallel-corrected	1000 VA	Twilight setting TEACH	Yes
Switching output 1, low-voltage halogen lamps	2000 VA	Constant-lighting control	No
LED lamps < 2 W	100 W	Interconnection	Yes
LED lamps > 2 W < 8 W	300 W	Type of interconnection	Master/master, Master/slave
LED lamps > 8 W	600 W	Interconnection via	Cable
Capacitive load in μF	176 μF	Interconnection, number	max. 10 sensors

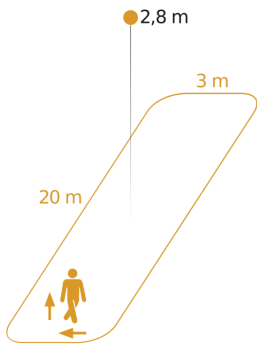
Accessories

EAN 4007841 000363	Surface-mounted adapter Control Pro IP54
EAN 4007841 003036	Control PRO guard cage
EAN 4007841 009151	Remote control Smart Remote
EAN 4007841 006600	HF-ceiling adapter
EAN 4007841 559410	Service remote control RC8

Dual HF

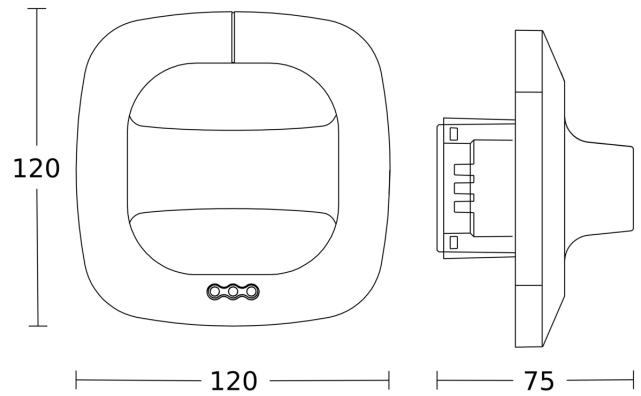
COM1 - Concealed wiring
EAN 4007841 002978
Article number 002978

Detection Zone

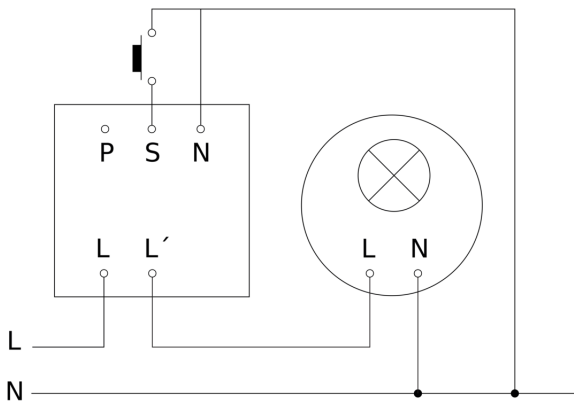


Possible mounting height: 2,50 m - 3,50 m
Orange: radial and tangential

Dimension Drawing



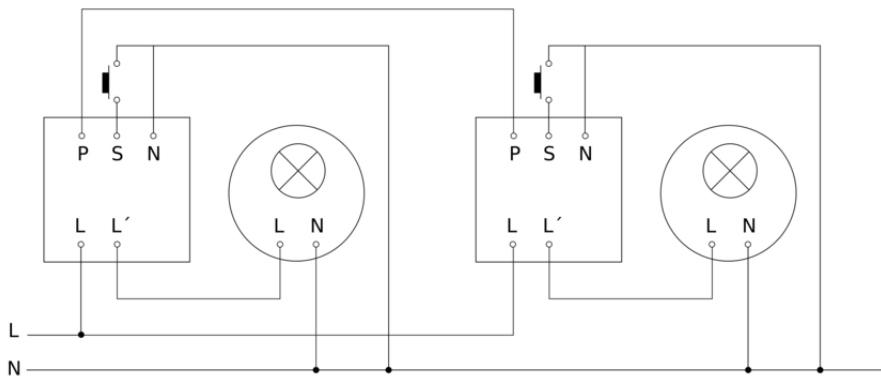
Master circuit diagram



Dual HF

COM1 - Concealed wiring
EAN 4007841 002978
Article number 002978

Master/master interconnection circuit diagram



Master/slave interconnection circuit diagram

