

TORK®

nsi
INDUSTRIES





WHY
nsi
INDUSTRIES

Let Us
Clarify.

MINITERMS

SPLICING

EASY-TWIST™

CONNECTOR BLOKS™

TORK® PHOTOCONTROLS

TORK® DIGITAL

GROUNDING

CABLE TIES

CONNECTORS

TORK® MECHANICAL

We are service leaders with a 99.7% same-day ship rate from our main distribution center in Huntersville NC, and stocking representatives serving all regions of the US.

We engineer and manufacture innovation with recognized brands like Polaris™, Easy-Twist™ and TORK® Lighting controls.

We are flexible and responsive, recognized by our distributor partners for our customer service and have a strong representative sales force built on relationships.

We have a huge breadth of line of electrical products, boasting 16 deep product groups for all your electrical needs.

Why NSi? We have what you need to do your job daily, right here in this catalog. Take a look and see why so many distributors and contractors choose NSi.




POLARIS™

TABLE OF CONTENTS

PICTORIAL INDEX	1	Copper Splice Short Barrel	87
CONNECTORS		Copper Splice Long Barrel	89
Aluminum Dual Rated Single & Double Lugs	13	For Flexible Copper Cable - One Hole Short Barrel	91
Aluminum Dual Rated Panelboard Lugs	15	For Flexible Copper Cable - One Hole Long Barrel	93
Aluminum Dual Rated Stacked Lugs	19	For Flexible Copper Cable - Two Hole Long Barrel	95
Aluminum Dual Rated Splicer & Reducers	21	For Flexible Copper Cable - Two Hole Short Barrel Peep Hole ..	97
Aluminum Dual Rated Turn Prevent Lugs	23	For Flexible Cable - Copper Short Barrel	99
Aluminum Dual Rated Lay-In & Dual Range Lugs	25	For Flexible Copper Cable - Two Hole Short Barrel No Peep ..	101
Aluminum Dual Rated Tap Connector & Covers	27	Copper Soldering Lugs	102
Aluminum Dual Rated Heavy Duty Transformer Lugs	29	C-Taps	103
Aluminum Dual Rated Transformer Lugs	31	Copper Press-Ons	105
Aluminum Dual Rated Transformer Connectors	33	Copper Split Bolts 2 Wire	106
Secondary Transformer Connectors	35	Copper Split Bolts 3 Wire	107
Transformer Stud Connectors	37	Copper Tin Plated Split Bolts	108
Aluminum Flexible Cable Sleeves Connectorsr	39	Aluminum Dual Rated Split Bolts	109
Copper Single Lugs – Cu Extruded & Tubular	41	Service Post Connectors One-Wire Type	111
Copper Single/Double Solderless Lugs	43	Service Post Connectors Two-Wire Type	112
Copper & Bronze Terminal Lugs	45	Two-Bolt Bronze For Copper To Copper	113
Aluminum Dual Rated Parallel Groove Clamps	47	Two-Bolt Bronze For Aluminum, Copper & Steel	114
Wedge & Hot-Line Clamps & Service Entrance Connector	49	Easy-Tap™ IPCS Series - Insulation Piercing Connectors	115
Aluminum One Hole Standard Barrel	51	Connector Bloks™ Single Primary Multiple Secondary	
Aluminum Two Hole Standard Barrel	53	Connector Block Covers	117
Dual Rated Aluminum Splice	55	Connector Bloks™ Multiple Primary Multiple Secondary	
Bi-Metallic Pin Terminals	57	Connector Block Covers	119
Dual Rated Pin Terminals	59	Connector Bloks™ Splice Reducer Primary Secondary	
Dual Rated Wide Range Tap Connectros & Covers	61	Connector Block Covers	121
Dual Rated Meter Socket Lugs	65	Terminal Bloks™ Double Row 9/16" Centers 600V	123
Dual Rated Insulated Service Entrance Sleeves	67	Terminal Bloks™ Hardware Options	124
Long Barrel One Hole Copper Lugs	69	Terminal Bloks™ Splicer & Reducers 75 Amps 600V	125
Long Barrel Copper Lugs Two Hole	73	Rail Mounted Modular Terminal Block Hardware Options	127
Long Barrel Stacking Copper Lugs	79	Insulated Terminal Blocks	129
Stacking Adapters For Compression Terminals	80	Multiple Connectors Used In Neutral Assemblies And Grounding	
Short Barrel Copper Lugs One Hole With Peep Hole	81	Applications	131
Short Barrel Copper Lugs Two Hole With Peep Hole	85		

Copper Neutral Connectors	133	Polaris™ Heavy Duty Either Side Wire Entry	193
Combination Connectors	134	Polaris™ Multi-Conductor Blocks With Mounting Holes, One Side Wire Entry	195
Neutral 225 Amps 600VAC Connectors	135	Polaris™ Multi-Conductor Blocks With Mounting Holes, Either Side Wire Entry	197
Combination Connectors	137	Submersible Pedestal Connectors	201
Non-Metallic Splice & Tap	139	Submersible Connectors	203
Transformer Lug Kits – Mechanical Set-Screw Types	141	Heavy Duty Unisulated Blocks, Either Side Wire Entry	205
Tool and Die Charts for Copper & Aluminum Connectors	143	Uninsulated Multi Cable Connectors	207
TOOLS & HARDWARE		Polaris™ Custom Designed Connector Blocks	211
Hydraulic Compression Tool	155	Polaris™ Installation Instructions	213
Crimping Dies	156	SPlicing	
Hydraulic Die & Battery-Operated Die Type Crimping Tools	157	Easy-Splice Wrap-Around Gel Splice Kits	213
U-Type Compression Dies	158	Easy-Splice Wrap-Around UF Splice Kit	214
Mechanical Crimpers & Tools, Ratchet Drive Crimpers	159	Easy-Splice In-Line Gel Splice Kit With Connector	215
Manual & Ratchet-Drive Cable Cutters	160	Easy-Splice Gel Tap Splice Kit With Connector	216
Steel Fishtapes & Conduit Benders	161	Easy-Splice Gel Stub Splice Kit With Connector	217
Precision Wire Strippers & Insulated Miniterm Tool	162	Easy-Splice H-Tap Splice Covers With Connector	218
Electrician's Hand Tools	163	Easy-Splice Push-On Gel Stub Splice Kits	219
Electrical Multitesters – Analog & Digital	164	Easy-Splice Direct Burial Roll-On Splice Sleeve	220
Circuit & Receptacle Testers	165	Easy-Splice Direct Burial Splice Kit With Rubber Cover	221
Torque Wrenches, Screwdriver & Accessories	167	Easy-Splice Self Sealing UF Splice Kit & Hot Melt Sealant Sleeves	222
Silicon Bronze Bolts, Nuts, Washers, Lockwashers	168	Easy-Splice Direct Burial/Submersible Splice Kits With Heat Shrink	223
Stainless Steel Bolts, Nuts, Washers, Lockwashers	169	Easy-Splice Heat Shrinkable End Caps	224
Oxide Inhibitor & Duct Sealing Compound	170	Easy-Splice Heavy Wall Heat Shrink For Direct Burial and Submersible	225
POLARIS™		Easy-Splice Thin-Wall Heat Shrink Kits	227
Polaris Grey™ For Fine Stranded Wire	173	Easy-Splice Heavy Wall Heat Shrink	228
Polaris Grey™ Replacement Sleeves	173	Easy-Splice Thin-Wall Tubing	229
Polaris Blue™ For Direct Burial & Submersible	177	GROUNDING	
Polaris™ In-Line & Two-Wire	179	Heavy Duty Direct Burial With Lay-In Lugs	241
Polaris™ Splicer/Reducers	181		
Polaris™ Multi-Conductor One Side Wire Entry	183		
Polaris™ Multi-Conductor Either Side Wire Entry	187		
Polaris™ Multi-Cable Blocks Either Side Wire Entry	189		
Polaris™ Multi-Cable Stacked Either Side Wire Entry	191		

TABLE OF CONTENTS

Copper & Tin Plated Copper Lay-In Lugs	242	Ring Terminals Uninsulated.....	287
Heavy Duty Direct Burial Ground Clamps and Direct Burial For Rebar	243	Ring Terminals Nylon	289
Heavy Duty Direct Burial With Adapters	244	Male & Female Plugs Wire Tap and Pin Terminal, Male/Female Adapter.....	291
Bronze Ground Clamps & Heavy Duty Water Pipe Clamps ...	246	High Temperature Spade, Ring, Piggyback & Disconnect ...	293
Aluminum & Bronze Ground Clamps	247	Male Disconnects: Fully Insulated and Male/Female Adapter .	295
Heavy Duty & With 360° Adapters For Rigid Conduit	248	Female Disconnects: Piggyback, Sleeved Barrel & Fully Insulated	297
Rigid Conduit With Flexible Wire Strap	250	Female Flag & Fully Insulated Flag, Two-Way Receptacle ...	299
Economy & 360° Swing Type Hubs	251	Female Disconnects.....	301
Zinc Die Cast & Standard Duty Silicon Bronze Ground Clamps.....	252	Vinyl Insulated Miniterm Kit	303
Heavy Duty Silicon Bronze & Range Taking Rod Clamp	253	Push-On & Compressor (With Wire) Terminal Kit	307
Intersystem Bonding Connectors	254	Rocker Switches	309
Isolated Ground Bars	255	Rotary Switches & Miscellaneous.....	311
Heavy Duty For Parallel, 90° Copper Cable.....	256	Pushbutton Switches.....	313
Heavy Duty For Parallel, Two & Three Conductor.....	257	Toggle Switches: Maintained Contact Single Pole	316
"C" Taps.....	258	Toggle Switches: Maintined Contact Single & Double Pole....	317
Transformer Ground Clamps	259	Toggle Switches	319
Two-Way Baskets	260	Round Indicator Lights	320
Flexible Braid Jumper Straps & Ground Strap	261	Round & Snap-In Rectangular Indicator Lights.....	321
Grounding Pigtails (Solid and Stranded) & Grounding Clips ..	262	Indicator Lights and Emergency Stop Buttons.....	322
EASY-TWIST™ 		WIRE MANAGEMENT 	
Easy-Twist™ Standard Twist-On Wire Connectors	265	Easy-Wrap™ Premium Electrical Tape	325
Easy-Twist™ Winged Twist-On Wire Connectors	267	Easy-Wrap™ General Purpose & All-Weather Corrosion Tape	326
Easy-Twist™ Wire Connector Combination Pails	269	Easy-Wrap™ Rubber Splicing Tape, Harness Wrap & Duct Tape.....	327
Push-In Wire Connectors	271	Easy-Wrap™ Friction, Electrical Filler and Silicone Rubber Tape.....	328
Crimp Sleeve & Nylon Wire Connectors	273	Easy-Wrap™ High Voltage, Glass Cloth and Rubber Mastic Tape	329
MINITERMS & SWITCHES 		Slyder™ Wire Lubricant	330
Butt Splices.....	277	Standard (Natural) Cable Ties.....	331
Spade Terminals: Locking	279		
Spade Terminals Flange & Block	281		
Spade Terminals	283		
Ring Terminals Vinyl.....	285		

UV & Weather Resistant (Black) Cable Ties	333	FireStop814™ Residential & Commercial Caulk	371
Air Handling and Push Mount Cable Ties	335	FireBlock136™ Residential Fire Block	371
Tefzel, Marker Cable Ties	336	FireStop™ Pillows & Putty Pads	371
HVAC Standard and Weather Resistant Ties	337	FireStop™ Ratings & UL Systems	373
Releasable Cable Ties	338	LIGHTING	
Stainless Steel Ties	338	Wallpack LED 13W PC	383
Standard Cable Ties: Color	339	Small Wallpack LED 12W	384
Standard Cable Ties: Fluorescent	341	Wallpack LED 36W	385
Cable Ties Canister Packs	343	Wallpack LED 38W	386
Natural & Weather Resistant Mountable Ties	345	Wallpack LED 68W	387
Velcro Ties	346	Wallpack LED 77W	388
Cable Ties With Stainless Steel Barb	347	Medium LED 20W Flood Light	389
Cable Tie Installation Tools	349	Large LED 40W Flood Light	390
Cable Tie Adhesive Mounts	350	Security Light LED 35W	391
Push Mounts	351	Vaportite LED 13W Wall Mount	392
Polyethylene Nail Clips	352	Vaportite LED 13W Ceiling Mount	393
Nail-On Plastic Staples For Romex	353	Mini Wallpacks	396
Masonry Push Mounts	354	Compact Wallpacks	398
Adjustable Cable Clamps	354	Medium Wallpacks	400
Standard & Heavy Duty Nylon Cable Clamps	355	Large & Large Deep Wallpacks	403
Standard Slot Panel Channel	356	Fluorescent & Compact Floodlight	404
Narrow Finger, High Density Panel Channel	359	Low Profile Floodlight	407
Solid Wall Panel Channel and Floor Duct	361	Medium & Large Floodlight	408
Cable Marker Plates	362	1000 Watt Floodlight	409
Wire Marker Dispensers	362	Incandescent Floodlight	409
Roll Label Dispenser and Polyester Industrial Tapes	363	Quartz Floodlight With Lamp	410
Pocket Pal Marker Books	364	High Pressure Sodium Ballast Kits With Lamp	411
Easy Release Wire Marker Cards	365	Metal Halide Ballast Kits With Lamp	412
Voltage Markers	366	High Pressure Sodium Ballast Kits Only	413
Self-Adhesive Labels	367	Metal Halide Ballast Kits Only	414
Spiral Wrap	367	Twin Head Emergency Light	415
Detectable Underground Line & Barricade Tapes	368	Fixed Optics Emergency Light	415
FIRESTOP™		LED & Combo LED Incandescent Exit Light	416
FireStop™ Intumescent Caulk	371		

TABLE OF CONTENTS

Wet Location Emergency Light	417
Heavy Duty Emergency Light	418
Emergency Fluorescent Ballast	418
Entry Cylinder	419
5X8 Vandal Resistant Entry Light	419
Small & Large Vandal Resistant Light	420
Incandescent Loading Dock Lights	422
Short-Term Lighting System	425
Accessories	425
Box & Wall Vaportite	425
Fluorescent Undercabinet Lights	426
Heavy Duty Ground Stake	426

TORK® ENERGY CODE REFERENCE GUIDE & RESPONSIBLE ENERGY STATEMENT

Exterior and Interior Lighting Zones	429
--------------------------------------	-----

TORK® PHOTOCONTROLS

Quick Reference Guide & Features	433
2100 Series Spec Grade Die Cast Zinc Photocontrol	435
2110 Series Spec Grade Die Cast Aluminum Photocontrol	436
2000 Series Fixed Conduit Mount Photocontrol	437
2001 Series 180° Swivel Conduit Mount Photocontrol	438
2020 Series 180° Swivel Conduit Mount Photocontrol	439
3000 Series Flush Mount Photocontrol	440
5000M Series Utility Grade Delayed Response w/MOV	441
5400A Series 6000 Watt Contactors w/Turn-Lock Control	442
2005A Series Instant Response Turn-Lock Control	443
2005B Series Instant Response Turn-Lock Control	444
5200 Series Utility Grade Electronic Photocontrol	445
5200-UL Series Electronic Photo Control Listed for LED	446
5737 Series Photo-Timers	447
Photocontrol Turn-Lock Accessories	448

TORK® ELECTROMECHANICAL TIME SWITCHES

Quick Reference Guide & Features	451
----------------------------------	-----

TU40 Series Universal Multi-Voltage 24-Hr Time Switch	453
1100 Series 24 Hr Time Switch	455
7000 Series 24 Hr Time Switch with Skip-a-Day	457
7000Z Series SunSet 24 Hr Time Switch with Skip-a-Day	459
8000 Series Duty Cycle 24 Hr Time Switch	461
8000 Series Repeating Variable Cycle 24 Hr Time Switch	463
WH2B 24 Hr Water Heater Timer	464
1800 Series Momentary Contact Time Switch	465
W Series 7 Day Time Switch	467
T900 Series 2 & 3 Circuit Lighting Control Centers	469
TW Series 7 Day Time Switch with Reserve Power	471
TZ Series SunSet Time Switch with Reserve Power	473

TORK® DIGITAL TIME SWITCHES

Quick Reference Guide	477
DT Series Automatic Voltage Detection 7 Day Time Switch	479
DT Series Water Heater Timer	479
EH20C Water Heater Timer with Summer Load Shed	481
SA300 Series Zip-Set™ Time Switch	483
E, E-PB Series 1 or 2 Channel 24 Hr Time Switch	485
EW Series 1 or 2 Channel 7 Day Time Switch	487
EWZ Series SunSet 1 or 2 Channel 7 Day Time Switch	489
DG100 Series 1 or 2 Channel 365/7 Day Time Switch	491
DW Series 1 or 2 Channel 365/7 Day Advance Time Switch	493
DTS Series 1, 2, 4 Channel 365/7 Day Advance Time Switch	495
DZS Series 1, 2, 4 Channel 365/7 Day SunSet Time Switch	497
DZM Series 365/7 Day SunSet Lighting Control Switch	499
LC200 Series 2-Zone Lighting Control Switch	501
DGU Series 7 Day Lighting Control Time Switch	503
DGLC Series 7 Day Lighting Control Time Switch	503
ELC Series 4, 8, 12 Zone Lighting Control Switch	505
DLC400BP 4 Zone Lighting Control Switch	507
LD Series Lighting Delay Time Switch	509
DGS Series Signaling Duty Cycle 24 Hr or 7 Day Time Switch	511

EJWT & E500T Series Delay, Interval, and Percentage Time Cycle Time Switches	513
PCT Series Panel Mount Cycle Time Switch	515
ACT30MA Series Adjustable Cycle Time Switch	516
DIN Series 1 or 2 Channel 7 Day Time Switch	517
SMC Series Momentary Contact Switches	519
5401 Series 40 Amp Contactors	520
HPS Starter	521
TORK® OCCUPANCY SENSORS 	
SENSOR TECHNOLOGY & PLACEMENT GUIDE	525
WOS, WOS-M, WOS-M2R, WOS-M2T Series	526
COS-L, COS-L2T, COS-LU, COS-M Series	530
HOS-M Series High Bay PIR Ceiling Mount Occupancy Sensors ..	534
CPS-L Series Ceiling Mount Photo Sensor	535
TRP-24 Series Intelligent Power Pack	536
TORK® IN-WALL TIME SWITCHES 	
Quick Reference Guide	539
SS700Z and SS721Z SunSet In-Wall Timer	541
SS720A	543
SS720Z Series	544
SA170 Series Zip-Set™ In-Wall Timer	545
701A & 711A Series 24 Hr In-Wall Time Switches	546
SS400 Series Digital Auto-Off In-Wall Timers	547
SS Series Auto-Off In-Wall Timer	549
D Series Electronic Auto-Off In-Wall Timer	550
A & C Series Springwound Auto-Off In-Wall Timers	551
TORK® PLUG-IN TIMERS 	
400 Series Indoor Mechanical Plug-In Timers	555
SA100 Series Indoor Mechanical Plug-In Timers	556
400 & SA100 Series Indoor Digital Plug-In Timers	557
SA200 & SA500 Series Wireless Remote Controls	558
600 & SA200 Series Outdoor Plug-In Mechanical Timers	559
600 & SA200 Series Outdoor Plug-In Digital Timers	560
SA200 Series Outdoor Plug-In Stake Timers	561
SA200 Series Outdoor Zip-Set™ Digital Timers	562
TORKALERT™ SIGNALING DEVICES 	
Mechanical & Strobe Horns	565
Muti-Tone Electronic Horns	566
Heavy Duty Bells	566
Light Duty and General Purpose Bells & Buzzer, Chimes & Chime Kits	567
Waterproof Motor Driven Siren & Manual Fire Alarm	568
Telephone Relay	569
Wall Clocks	570
Electric Door Openers	571
Push-Buttons	572
Warning Lights (Industrial)	573
Warning Lights (Vehicular)	574
Power Supply Units and Transformers	575
TorkAlert™ Accessories & Replacement Parts	576
TorkAlert™ Dimension Drawings	577
TORK® POOL & SPA CONTROLS 	
PP Panels Series with Time Switches	581
P1100 Series Electromechanical	583
PEW1100 Series Digital Controls	584
1100 Series Swimming Pool Time Switches	585
Pool & Spa Junction Boxes	586
Timer Mechanisms	586
DPC201 Series Digital 2-Speed Pump Timer	587
TPX Series	588
ENCLOSURES	
Electromechanical Mechanisms	589
ENCLOSURE DIMENSIONS	591
ALPHANUMERIC INDEX	595



< **Responsible Energy** is the mark of TORK's commitment to developing and manufacturing energy saving, environmentally friendly products.

EXTERIOR LIGHTING ZONES

When ambient light levels drop at dusk, lighting is needed to provide safety and security. BUT: Does all lighting need to be on all night long? The proper selection of lighting controls is essential to ensuring that energy is only used when needed. An efficient lighting control design creates zones of light levels that can be varied by time at night.

ZONE 1 - DUSK TO DAWN - All night Security Lighting Photocontrols and Photosensors

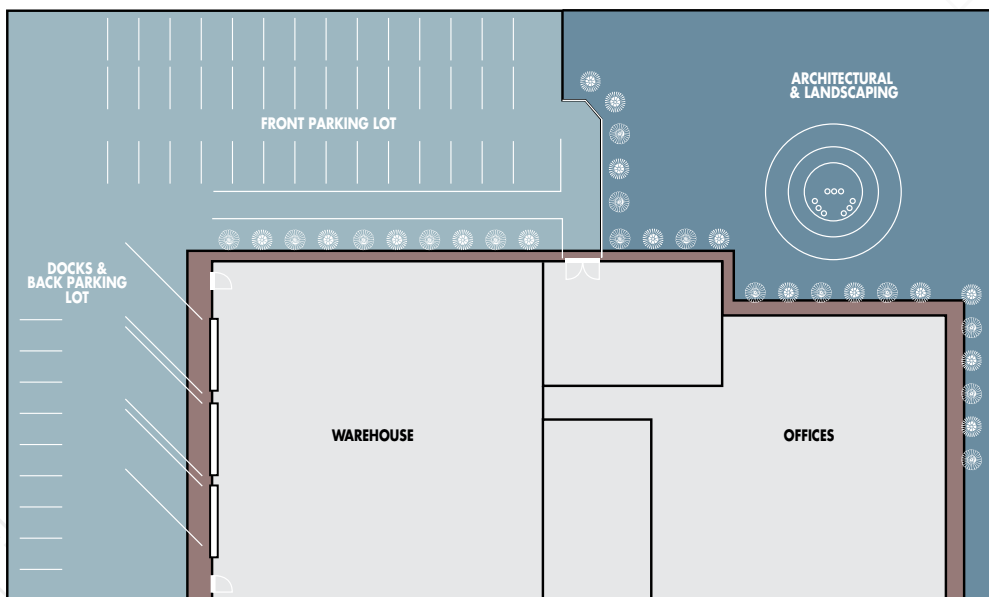
The first zone gives a minimum light level where security is the primary need. Determine what lighting is necessary, such as building-mounted wallpacks and a portion of the parking lot lighting. These should be on from dusk to dawn, and are best controlled by a photosensor device.

ZONE 2 - DUSK TO TIME OFF - Safety and Architectural Lighting Photosensor/Time-based controls, Astronomic controls

The second zone provides a higher light level for safety, when people are normally present. Maximum levels for the parking lot and all walkway lighting are needed. These lights are best controlled by a combination photosensor and time-based device to allow shut-off during the night. The astronomic-calculated sunset/time control can also be useful.

ZONE 3 - ARCHITECTURAL - Building Facade, Landscape and Signage Astronomic controls

The third zone covers architectural lighting for building facade or landscape and signs. These are best controlled with an astronomic-calculated sunset/time control.



Energy Saving Solutions
Lighting Controls



< Use the Quick Reference **Energy Code Guide** for approved products.



Responsible Energy

Each of these marked products have features that decrease energy consumption and/or damage to the environment by one or more of the following:

- Timed control, Photocontrol and/or Astronomic control of on and off functions of lighting, fans, pumps and appliances
- Timed control of systems or multiple zones of lighting
- Photo or occupancy sensing control of lighting
- Supercapacitor backup, no batteries to replace or dispose.
- Helps meet CA Title 24, ASHRAE, IECC and other standards for responsible building products

INTERIOR LIGHTING ZONES

The first way to save energy begins with eliminating lighting when it isn't needed. As with exterior lighting, an efficient design matches controls to the typical use of the area.

ZONE A - SMALL SPACES - Meeting rooms, restrooms, storage spaces

Occupancy sensors, interval timers

The first zone includes small spaces such as offices, restrooms and storage areas – places where people may not occupy the space continuously. Individual wall switch replacement provides low cost installation, with occupancy sensors and interval timers as the best solution. In the event that wall switches do not provide proper coverage for the occupancy sensor, ceiling mounted options are available.

ZONE B - LARGE SPACES - Open offices, public spaces, hallways, warehouses

Time of Day with Override, Occupancy Sensors

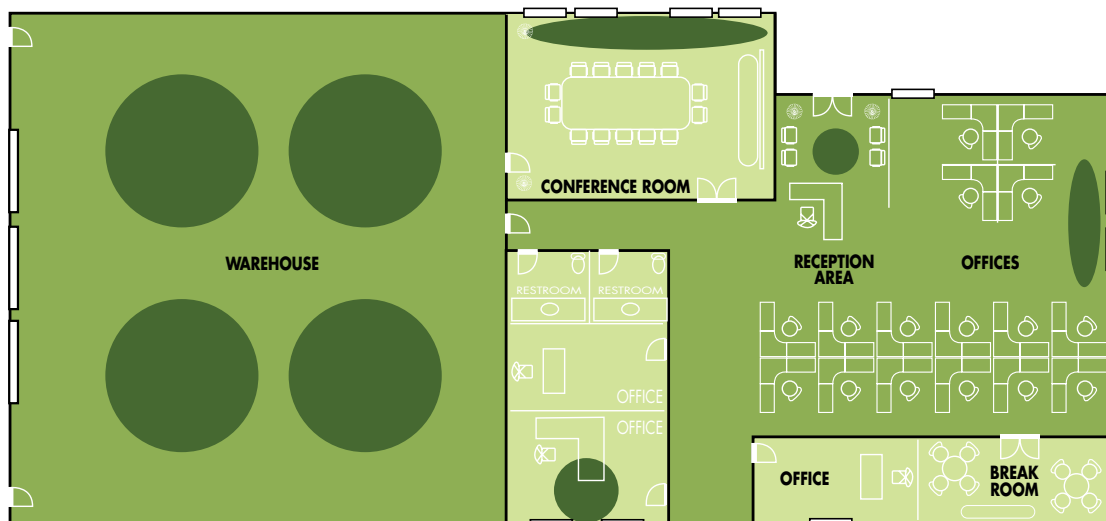
The second zone is for common areas, such as hallways, reception spaces or large spaces for open offices. These places are commonly controlled with time-of-day devices and must include an after-hours override. A conveniently placed switch should provide a limited override with a maximum length of two or four hours*, or occupancy sensors can be used to ensure that lights are shut off when people have left the building.

* Energy codes vary on the stated maximum time, but shorter times can give more energy savings.

ZONE C - DAYLIGHT HARVESTING - Large or small spaces with natural light

Light Sensors, Light Sensors with Occupancy, Astronomic Timers

A third zone that uses daylighting control can be added to either of the first two zones. Light sensors can shut off a portion of the lighting when windows or skylights contribute sufficient natural light to the area. This “harvesting” of light is an excellent, green way to conserve energy.







TORK® PHOTOCONTROLS

QUICK REFERENCE GUIDE

	2100 SERIES	2110 SERIES	2000 SERIES	2001/2020 SERIES	3000 SERIES	5000M SERIES	2005A SERIES	2005B SERIES	5200A SERIES	5200-UL SERIES	5737 SERIES
Page	435	436	437	438/439	440	441	443	444	445	446	447
Mounting	Conduit	Conduit	Conduit	Conduit	Flush	Turn-Lock	Turn-Lock	Turn-Lock	Turn-Lock	Turn-Lock	Turn-Lock
Adjustable Swivel				Yes							
Housing	Die Cast Zinc	Die Cast Aluminum	Lexan®	Lexan®	Lexan®	UV Stabilized Plastic	UV Stabilized Plastic	UV Stabilized Plastic	UV Stabilized Plastic	UV Stabilized Plastic	UV Stabilized Plastic
Turn ON Light Level	1 - 5 fc	1 - 5 fc	1 - 5 fc	1 - 5 fc	1 - 5 fc	1 to 3 fc	1 to 3 fc	1.5 fc	1.5 fc	1.5 fc	5 fc
Light Level Adjustment	Yes	Yes	Yes	Yes (2001)							
Turn OFF Ratio	3:1	3:1	3:1	3:1	3:1	5:1	3:1	1.5:1	1.5:1	1.5:1	1.5:1
Time Delay ON	Yes	Yes	Yes	Yes	Yes	Yes	Instant	Instant	Instant	Instant	Instant
Time Delay OFF	Yes	Yes	Yes	Yes	Yes	Yes	Yes	Yes	Yes	Yes	Yes
Light Sensor	CdS	CdS	CdS	CdS	CdS	CdS	CdS	Filtered Silicon Sensor	Filtered Silicon Sensor	Filtered Silicon Sensor	Silicon Sensor
CFL Compatible	Yes	Yes	Yes	Yes	Yes	Yes	Yes	Yes	Yes	Yes	Yes
LED Listed	Yes	Yes	Yes	Yes	Yes			Yes		Yes	
Surge Protection						Yes	Yes	Yes	Yes	Yes	Yes
Photo Timer											Yes

CHOICE OF PHOTOCELLS



Molded sealed IR filtered sensor resists effects of moisture and airborne contaminants. Available on turn-lock photocontrols. IR Filtering responds to the light spectrum near to that of a human eye.



Conformal coated CdS photocell resists effects of moisture and airborne contaminants. Available in 1/2" and 1" size on both wired and turn-lock photocontrols. Photocell responds to the light spectrum near to that of a human eye.

TOUGH ENCLOSURES



All conduit and flush mounted models utilize die-cast zinc, die cast aluminum, or genuine Lexan® materials. All turn-lock models utilize high impact UV stabilized polypropylene, ABS, PBT or polycarbonate materials.

TURN-LOCKS MEET ANSI C136.10



All models meet the current ANSI requirements for locking-type prongs and color coded voltage designations. Locking prongs are solid brass.

ANSI Dome Color-Code

Grey	105-130VAC
Maroon	208-277VAC
Blue	105-285VAC
Yellow	480VAC
Green	347VAC

CHOICE OF MOUNTING ORIENTATION



Models are available in fixed position or 180° swivel.

DEPENDABLE PERFORMANCE

Built-in time delay prevents false switching due to light from passing vehicles, lightning, etc.

QUALITY ASSURANCE

TORK® Photocontrols are designed and manufactured with components which adhere to the highest industry standards. Trained personnel and in-process quality procedures ensure that every unit meets our strictest quality standards.

2100 SERIES

SPECIFICATION GRADE
1/2" CONDUIT MOUNTING
DIE CAST ZINC
PHOTOCONTROL



APPLICATIONS

- Parking lot lighting
- Building perimeter lighting
- Outdoor signage

FEATURES

SENSOR: Conformal coated cadmium sulphide photocell resists effects of moisture and airborne contaminants. Photocell responds to the light spectrum near to that of a human eye.

OPERATION: Delay of up to two minutes to prevent false switching due to light from passing vehicles, lightning, etc.

STANDARDS: Meets ANSI/UL773A.

HOUSING: Heavy Duty die cast zinc housing and base. Gasketed for maximum weather protection.

ENERGY SAVINGS: Works with screw base CFLs.

SPECIFICATIONS

ON/OFF: Turn ON is 1 to 5fc, Turn OFF is 3 to 15fc, without the slide in position. ON/OFF adjustment is easily made by moving a slide cover. No tools required.

TIME DELAY: ON and OFF.

CELL: Cadmium sulphide, epoxy conformal coated 1" diameter.

CONTACTS: Remain closed between dusk and dawn. (The unit fails in the ON position).

LEAD WIRES: Three color coded, minimum 6" wire leads, #16AWG, rated for 105 °C.

POWER CONSUMPTION: Averages under 1 watt.

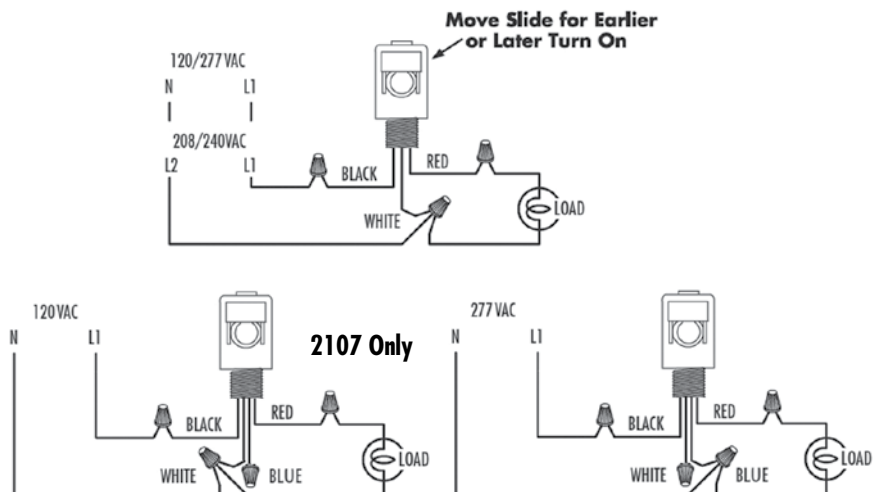
TEMPERATURE RANGE: -40 °F to +140 °F (-40 °C to +60 °C).

FAIL MODE: ON.

WARRANTY: 5 years.

CAT. NO.	UPC CODE	VOLTAGE (VAC) 50-60Hz	RATING		LED
			TUNGSTEN	BALLAST	
2101	60012	120	2000W	1800VA	600VA*
2104	60013	208-277	2000W	1800VA	600VA*
2107	60031	120/277	2000W	1800VA	600VA*
73866	62020	Mounting Bracket	-	-	-

*LED rating for UL only.



2110 SERIES

1/2" CONDUIT MOUNTING DIE CAST ALUMINUM PHOTOCONTROL



APPLICATIONS

- Parking lot lighting
- Building perimeter lighting
- Outdoor signage



FEATURES

SENSOR: Conformal coated cadmium sulphide photocell resists effects of moisture and airborne contaminants. Photocell responds to the light spectrum near to that of a human eye.

STANDARDS: Meets ANSI/UL773A.

OPERATION: Delay of up to two minutes to prevent false switching due to light from passing vehicles, lightning, etc.

HOUSING: Die cast aluminum housing and base. Gasketed for weather protection.

ENERGY SAVINGS: Works with screw base CFLs.

SPECIFICATIONS

ON/OFF: Turn ON is 1 to 5fc, Turn OFF is 3 to 15fc, without the slide in position. ON/OFF adjustment is easily made by moving a slide cover. No tools required.

TIME DELAY: ON and OFF.

CELL: Cadmium sulphide, epoxy conformal coated 1/2" diameter. MODEL 2117 is 1" cell.

CONTACTS: Remain closed between dusk and dawn (the unit fails in the ON position).

LEAD WIRES: Three color coded, minimum 6" wire leads, #16AWG, rated for 105 °C. (2117 #10AWG red and black).

POWER CONSUMPTION: Averages under 1 watt.

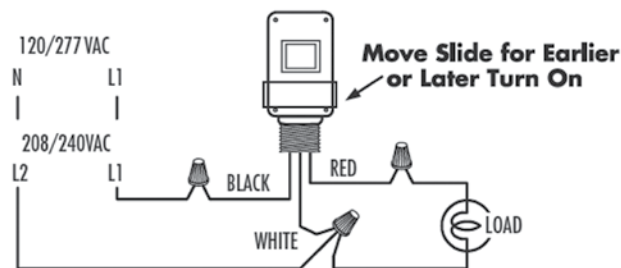
TEMPERATURE RANGE: -40 °F to +140 °F (-40 °C to +60 °C).

FAIL MODE: ON.

WARRANTY: 5 years.

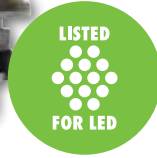
CAT. NO.	UPC CODE	VOLTAGE (VAC) 50-60Hz	RATING		LED
			TUNGSTEN	BALLAST	
2115	60032	120	2000W	1800VA	600VA
2116	60033	208-277	3470-4620W	2080-2770VA	1040-1385VA
2117*	60037	120	3000W	3000VA	-
73866	62020	Mounting Bracket	-	-	-

*Not UL or CSA rated.



2000 SERIES

1/2" CONDUIT MOUNTING
FIXED POSITION, LEXAN® HOUSING
WITH WEATHERPROOF SEALANT
PHOTOCONTROL



APPLICATIONS

- Flood lamp
- Patio lamp
- Decorative lighting

FEATURES

SENSOR: Conformal coated cadmium sulphide photocell resists effects of moisture and airborne contaminants. Photocell responds to the light spectrum near to that of a human eye.

OPERATION: Delay of up to two minutes to prevent false switching due to light from passing vehicles, lightning, etc.

STANDARDS: Meets ANSI/UL773A.

HOUSING: All Lexan® enclosures are impact and vandal resistant. Translucent Lexan® Dome prolongs cell life by further screening out ultraviolet rays. Dome and base are ultrasonically welded for maximum strength.

ENERGY SAVINGS: Works with screw base CFLs.

SPECIFICATIONS

ON/OFF: Turn ON is 1 to 5fc. Turn OFF is 3 to 15fc, without the slide in position. ON/OFF adjustment is easily made by moving a slide cover. No tools required.

TIME DELAY: ON and OFF.

CELL: Cadmium sulphide, epoxy conformal coated 1/2" diameter.

CONTACTS: Remain closed between dusk and dawn. (The unit fails in the ON position).

LEAD WIRES: Three color coded, minimum 6" wire leads, #16AWG, rated for 105 °C.

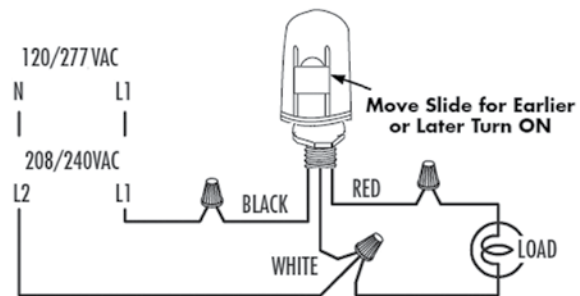
POWER CONSUMPTION: Averages under 1 watt.

TEMPERATURE RANGE: -40 °F to +140 °F (-40 °C to +60 °C).

FAIL MODE: ON.

WARRANTY: 5 years.

CAT. NO.	UPC CODE	VOLTAGE (VAC) 50-60Hz	RATING		LED
			TUNGSTEN	BALLAST	
2000	60017	120	2000W	1800VA	600VA
2000-2	60018	208-277	3470-4620W	2080-2770VA	1040-1385VA
73866	62020	Mounting Bracket	-	-	-



2001 SERIES

1/2" CONDUIT MOUNTING

180° SWIVEL, LEXAN® HOUSING

PHOTOCONTROL



APPLICATIONS

- Flood lamp
- Patio lamp
- Decorative lighting

FEATURES

SENSOR: Conformal coated cadmium sulphide photocell resists effects of moisture and airborne contaminants. Photocell responds to the light spectrum near to that of a human eye.

OPERATION: Delay of up to two minutes to prevent false switching due to light from passing vehicles, lightning, etc.

STANDARDS: Meets ANSI/UL773A.

HOUSING: All Lexan® enclosures are impact and vandal resistant. Translucent Lexan® Dome prolongs cell life by further screening out ultraviolet rays. Dome and base are ultrasonically welded for maximum strength.

ENERGY SAVINGS:

Works with screw base CFLs.

SPECIFICATIONS

ON/OFF: Turn ON is 1 to 5fc. Turn OFF is 3 to 15fc, without the slide in position. ON/OFF adjustment is easily made by moving a slide cover. No tools required.

TIME DELAY: ON and OFF.

CELL: Cadmium sulphide, epoxy conformal coated 1/2" diameter.

CONTACTS: Remain closed between dusk and dawn. (The unit fails in the ON position).

LEAD WIRES: Three color coded, minimum 6" wire leads, #16AWG, rated for 105 °C.

POWER CONSUMPTION:

Averages under 1 watt.

TEMPERATURE RANGE:

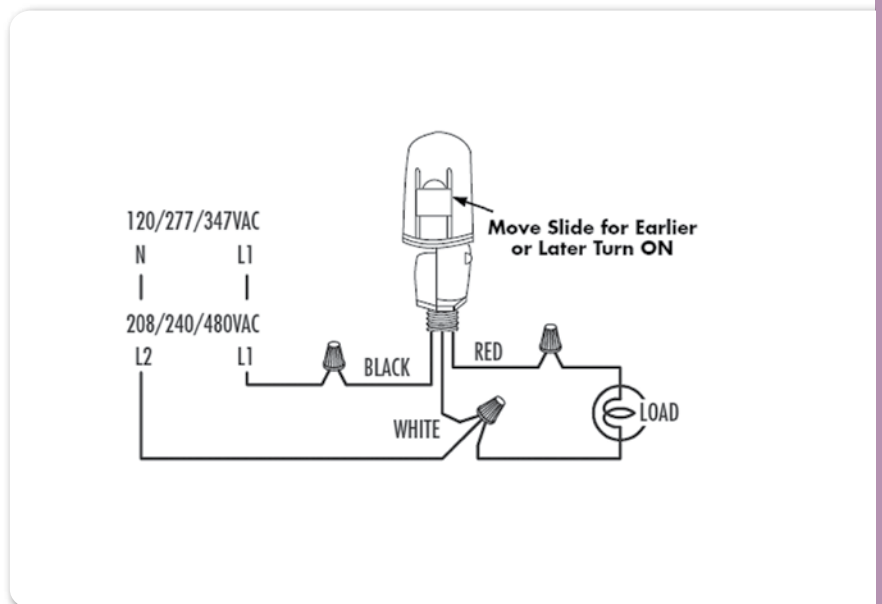
-40 °F to +140 °F (-40 °C to +60 °C).

FAIL MODE: ON.

WARRANTY: 5 years.

CAT. NO.	UPC CODE	VOLTAGE (VAC) 50-60Hz	RATING		LED
			TUNGSTEN	BALLAST	
2001	60015	120	2000W	1800VA	600VA
2002	60016	208-277	3470-4620W	2080-2770VA	1040-1385VA
NEW! 2006*	60028	347	5760W	3470VA	-
2018**	62021	480	7500W	4800VA	-
73866	62020	Mounting Bracket	-	-	-

*CSA certified only. **Not UL or CSA rated.



2020 SERIES

1/2" CONDUIT MOUNTING

180° SWIVEL, LEXAN® HOUSING

PHOTOCONTROL



APPLICATIONS

- Flood and patio lamps
- Decorative lighting
- Ideal for applications where it is essential to aim the photocell in an exact direction to sense natural light but avoid artificial light.

FEATURES

SENSOR: Conformal coated cadmium sulphide photocell resists effects of moisture and airborne contaminants. Photocell responds to the light spectrum near to that of a human eye.

OPERATION: Delay of up to two minutes to prevent false switching due to light from passing vehicles, lightning, etc.

STANDARDS: Meets ANSI/UL773A.

HOUSING: All Lexan® enclosures are impact and vandal resistant, cover and base are ultrasonically welded for maximum strength.

ENERGY SAVINGS: Works with screw base CFLs.

SPECIFICATIONS

ON/OFF: Turn ON is 1 to 5fc. Turn OFF is 3 to 15fc.

TIME DELAY: ON and OFF.

CELL: Cadmium sulphide, epoxy conformal coated 1/2" diameter.

CONTACTS: Normally closed (the unit fails in the ON position).

LEAD WIRES: Three color coded, minimum 6" wire leads, #16AWG, rated for 105 °C.

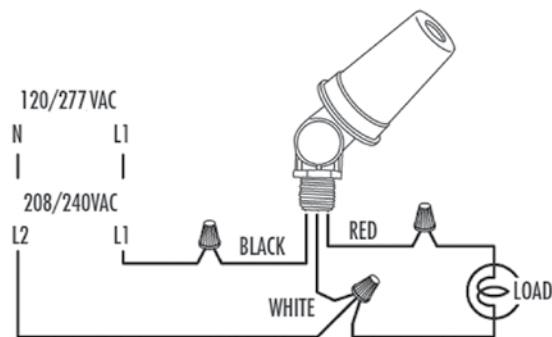
POWER CONSUMPTION: Averages under 1 watt.

TEMPERATURE RANGE: -40 °F to +140 °F (-40 °C to +60 °C).

FAIL MODE: ON.

WARRANTY: 5 years.

CAT. NO.	UPC CODE	VOLTAGE (VAC) 50-60Hz	RATING		LED
			TUNGSTEN	BALLAST	
2021	60024	120	2000W	1800VA	600VA
2022	60025	208-277	3470-4620W	2080-2770VA	1040-1385VA
73866	62020	Mounting Bracket	-	-	-



3000 SERIES

FLUSH MOUNTING

LEXAN® HOUSING

PHOTOCONTROL



Flush Mounting
Model 3010



APPLICATIONS

- Pole lanterns
- Lawn lighting
- Walkways

SPECIFICATIONS

ON/OFF: Turn ON is 1 to 5fc. Turn OFF is 3 to 15fc.

TIME DELAY: ON and OFF.

CELL: Cadmium sulphide, conformal coated 1/2" diameter.

CONTACTS: Normally closed (the unit fails in the ON position).

LEAD WIRES: Three color coded, minimum 9" wire leads, #16AWG, rated for 105 °C.

POWER CONSUMPTION:
Averages under 1 watt.

TEMPERATURE RANGE:
-40 °F to +158 °F (-40 °C to +70 °F).

FAIL MODE: ON.

WARRANTY: 5 years.

FEATURES

SENSOR: Conformal coated cadmium sulphide photocell resists effects of moisture and airborne contaminants. Photocell responds to the light spectrum near to that of a human eye.

OPERATION: Delay of up to two minutes to prevent false switching due to light from passing vehicles, lightning, etc.

STANDARDS: Meets ANSI/UL773A.

HOUSING & MOUNTING: Control housing is weather-resistant molded Lexan® with ultrasonically welded seams.

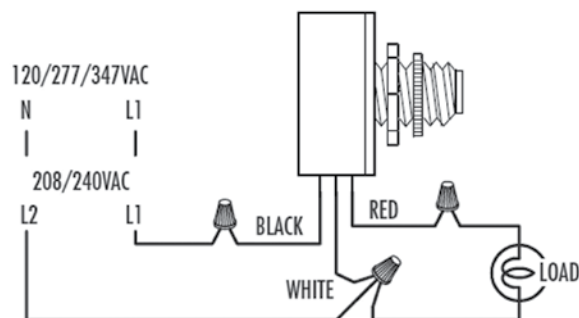
MODEL 3000: Flush mounting through .6875" hole in post lantern or lighting fixture, 3/8" NPT, stem 3/4" long. Gasket and nut supplied.

MODEL 3010: flush mounting into standard, raintight junction box. Includes aluminum plate and gasket to fit FS type outdoor junction box.

ENERGY SAVINGS: Works with screw base CFLs.

CAT. NO.	UPC CODE	VOLTAGE (VAC) 50-60Hz	RATING		LED
			TUNGSTEN	BALLAST	
3000	60020	120	2000W	1800VA	600VA
3002	60019	208-277	3470-4620W	2080-2770VA	1040-1385VA
NEW! 3006	60026	347	5760W	3470VA	-
3010	60021	120	2000W	1800VA	600VA

*CSA certified only.



5000M SERIES

DELAYED RESPONSE UTILITY GRADE MOV SURGE ARRESTOR PHOTOCONTROL



SPECIFICATIONS

ON/OFF: Turn-ON is 1 to 3 fc. Turn-OFF to Turn-ON ratio is 5 max.

TIME DELAY: ON and OFF.

CELL: CdS, epoxy conformal coated 1/2" and 1" diameter models.

SURGE ARRESTOR: 380 joule MOV (metal oxide varistor) exceeds ANSI and NEMA requirements.

LOCKING PRONGS: Solid brass for maximum corrosion resistance and electrical conductivity.

TEMPERATURE RANGE: -40 °F to +140 °F (-40 °C to +60 °C).

FAIL MODE: ON.

WARRANTY: 3 years.

APPLICATIONS



- For use on streets, highways and other luminaries equipped with locking type receptacles, where most stringent surge protection is needed.

FEATURES

SENSOR: Conformal coated CdS photocell resists effects of moisture and airborne contaminants. Photocell responds to the light spectrum near to that of a human eye.

OPERATION: Delayed response prevents false switching due to light from vehicles or lighting, etc.

STANDARDS: Meets UL773 and ANSI C136.10 including color designations. Also meets EEL NEMA standards.

ANSI DOME COLOR-CODE: Grey 105-130VAC, Maroon 208-277VAC, Blue 105-285VAC, Yellow 480VAC, Green 347VAC.

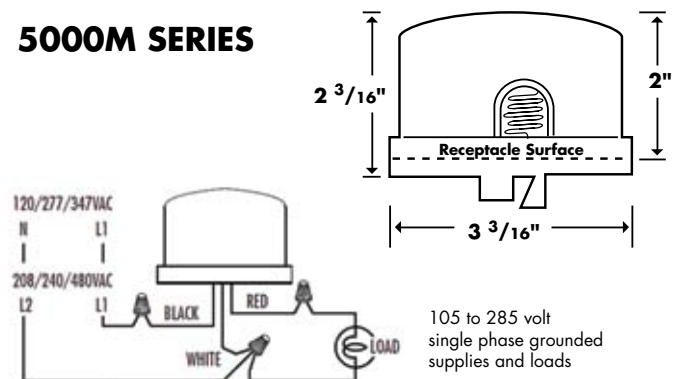
HOUSING: Polycarbonate housing and window, UV stabilized for permanent color. Provides high impact performance, flammability resistance, and electrically safe operations.

CONTACTS: Bi-metal provides positive snap action switching, reducing bounce and prolonging contact life.

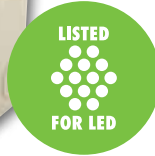
CAT. NO.	UPC CODE	VOLTAGE (VAC) 50-60Hz	LIGHT SENSOR	RATING	
				TUNGSTEN	BALLAST
5001M	61012	105-130	1"	2000W	1800VA
5004M	61013	208-277	1"	3470-4620W	2080-2770VA
5007M	61014	105-130/208-285	1/2"	2000W/ 3470-4620W	1800VA/ 2080-2770VA
5008M*	61017	480	1"	7500W	4800VA
5021M	61015	105-130	1/2"	2000W	1800VA
5024M	61016	208-277	1/2"	3470-4620W	2080-2770VA
NEW! 5026M**	61045	347	1/2"	5760W	3470VA

*Not UL listed or CSA certified. **CSA certified only.

5000M SERIES



5400A SERIES CONTACTORS WITH TURN-LOCK PHOTOCONTROL



SPECIFICATIONS

RECEPTACLE: 3-prong turn-lock meets the requirements of EEL NEMA.

POWER CONSUMPTION: Maximum 3 watts during daylight.

APPLICATIONS



- For street lighting. Controls all lighting loads in excess of the capacity of the photoelectric control contacts.

FEATURES

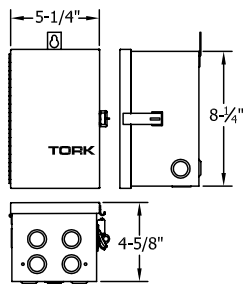
OPERATION: Delay up to two minutes to prevent false switching due to light from passing vehicles, lighting, etc. Photocontrol provides dusk to dawn control of lighting contactor for heavy duty switching.

STANDARDS: Meets UL773 and ANSI C136.10 for photocontrols.

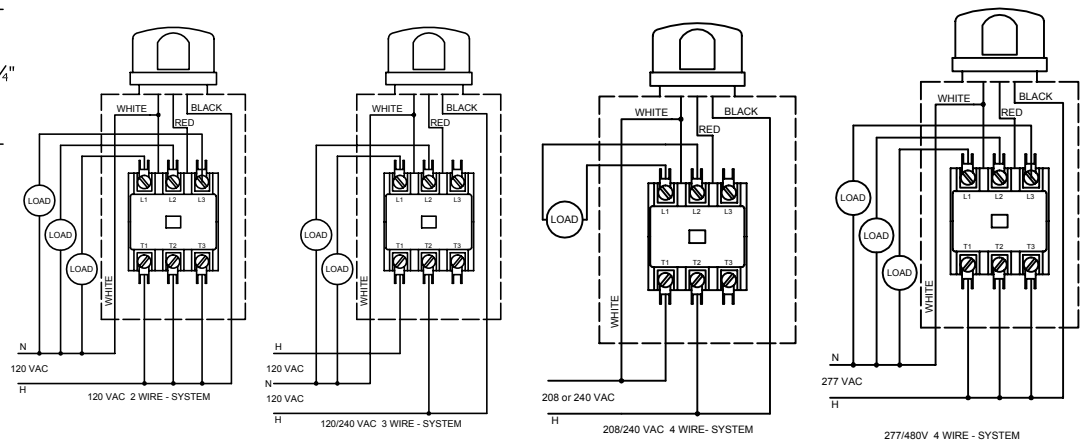
HOUSING: Outdoor NEMA Type 3R. Beige enamel finish. Two 1/2"– 3/4" combination KO in bottom.

CAT. NO.	UPC CODE	PHOTOCONTROL INCLUDED	VOLTAGE (VAC) 60Hz	SWITCH
5403A	81012	2005B	120	DPST
5404A	81013	2007B	208-240	DPST
5404-3A	81014	2007B	277	DPST

TYPE	VOLTAGE (VAC)	CONTACT RATING PER POLE
Resistive	120-277	40A
Tungsten	120	30A
Ballast	120-277	40A
LED	120-277	40A
Motor	120 240	3HP 7.5HP



5400A SERIES



2005A SERIES

INSTANT RESPONSE TURN-LOCK PHOTOCONTROL



APPLICATIONS



- For state and county DOT & municipalities use on roadway and bridges. Also use for general commercial facilities.

FEATURES

SENSOR: Conformal coated CdS photocell resists effects of moisture and airborne contaminants. Photocell responds to the light spectrum near to that of a human eye.

STANDARDS: Meets UL773 and ANSI C136.10 including color designations. Also meets EEL NEMA standards.

HOUSING: Polypropylene, UV stabilized, permanent color with UV resistant clear acrylic window. Provides high impact, flammability resistance and electrically safe operations.

CONTACTS: DC relay has positive snap action switching, reducing bounce and prolonging contact life.

SPECIFICATIONS

ON/OFF: Turn-ON is 1.5 foot candle +/-0.5
OFF/ON ratio is 1.5:1 average.

TIME DELAY: Instant ON/3-5 seconds OFF.

CELL: CdS, epoxy conformal coated
1/2" diameter.

RELAY: Rated life 6,000 operations

SURGE ARRESTOR: 360 joules MOV
exceeds NEMA and ANSI requirements.

LOCKING PRONGS: Solid brass prongs
for maximum corrosion resistance and
electrical conductivity.

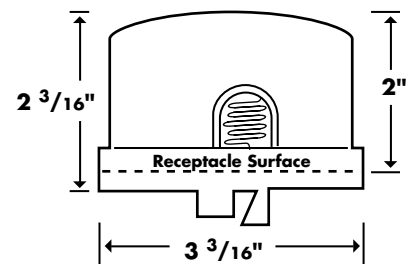
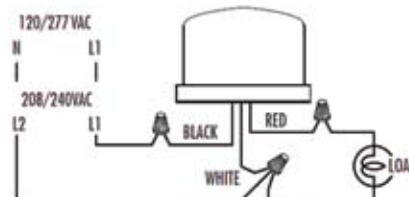
TEMPERATURE RANGE:
-40 °F to +158 °F (-40 °C to +70 °C).

FAIL MODE: ON.

WARRANTY: 3 years.

CAT. NO.	UPC CODE	VOLTAGE (VAC) 50-60Hz	COLOR	RATING	
				TUNGSTEN	BALLAST
2005A	62012	105-130	Grey	1000W	1800VA
2007A	62013	105-285	Blue	1000W	1800VA

2005A SERIES



105 to 285 volt
single phase grounded
supplies and loads

2005B SERIES

INSTANT RESPONSE TURN-LOCK PHOTOCONTROL



APPLICATIONS

- For state and county DOT & municipalities use on roadway and bridges. Also use for general commercial facilities.

SPECIFICATIONS

ON/OFF: Turn-ON is 1.5 foot candle +/-0.2 OFF/ON ratio is 1.5:1 average.

TIME DELAY: Instant ON/3-5 seconds OFF.

CELL: Molded sealed IR filtered sensor

RELAY: Rated life 6,000 operations

SURGE ARRESTOR: 360 joules MOV exceeds ANSI and NEMA requirements.

LOCKING PRONGS: Solid brass prongs for maximum corrosion resistance and electrical conductivity.

TEMPERATURE RANGE: -40 °F to +158 °F (-40 °C to +70 °C).

FAIL MODE: ON.

WARRANTY: 6 years.

FEATURES

SENSOR: Molded sealed IR filtered sensor resists effects of moisture and airborne contaminants. IR filter responds to the light spectrum near to that of a human eye.

STANDARDS: Meets UL773 and ANSI C136.10 including color designations. Also meets EEL NEMA standards.

HOUSING: Polycarbonate housing and window, UV stabilized for permanent color. Polycarbonate provides high impact performance, flammability resistance, and electrically safe operations.

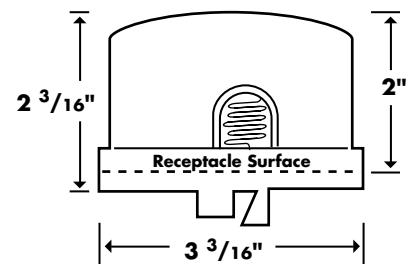
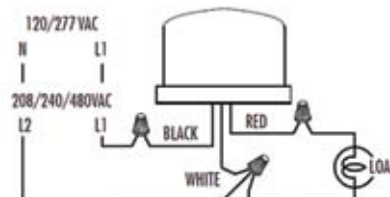
CONTACTS: DC relay has positive snap action switching, reducing bounce and prolonging contact life. Fail ON for safety.

CUSTOM: Available for custom design to meet specific utility specification including light level activation and dome colors. Dome colors available include Black, Brown, Orange and Green along with ANSI colors.

CAT. NO.	UPC CODE	VOLTAGE (VAC) 50-60Hz	COLOR	RATING		LED
				TUNGSTEN	BALLAST	
2005B	60015	105-130	Grey	1000W	1800VA*	4 Amps
2007B	60016	105-305	Blue	1000W	1800VA*	4 Amps
2008B**	62017	400-550	Yellow	1000W	1800VA	4 Amps

*cUL Listed 1000VA. ** Not UL or cUL Listed.

2005B SERIES



105 to 305 volt single phase grounded supplies and loads

5200A SERIES

UTILITY GRADE ELECTRONIC WITH FAIL ON MODE PHOTOCONTROL



APPLICATIONS

- Designed meet local utility standards for street and highway lighting controls.

FEATURES

SENSOR: Molded sealed IR filtered sensor resists effects of moisture and airborne contaminants. IR filtered responds to the light spectrum near to that of a human eye.

STANDARDS: Meets ANSI C136 including color designations. Also meets EEI NEMA standards.

HOUSING: Polycarbonate housing and window, UV stabilized for permanent color. Polycarbonate provides high impact performance, flammability resistance, and electrically safe operations.

CONTACTS: DC relay has positive snap action switching, reducing bounce and prolonging contact life. Fail ON for safety.

CUSTOM: available for custom design to meet specific utility specification including light level activation and dome colors. Dome colors available include Black, Brown, Orange and Green along with ansi colors.

SPECIFICATIONS

ON/OFF: Turn ON is 1.5 foot candle +/- 0.2 OFF/ON ratio is 1.5:1 average*.

TIME DELAY: Instant ON/3-5 second OFF.

CELL: Molded sealed IR filtered sensor.

RELAY: Rated life 5,000 operations.

SURGE ARRESTOR: 360 joule MOV (metal oxide varistor) exceeds ANSI and NEMA requirements.

LOCKING PRONGS: Solid brass for maximum corrosion resistance and electrical conductivity.

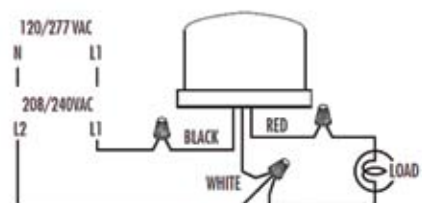
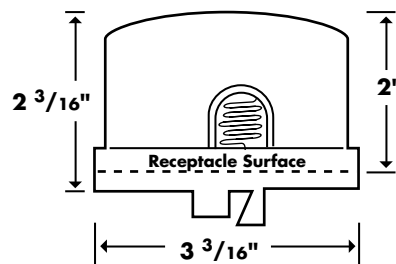
TEMPERATURE RANGE: -40 °F to +158 °F (-40 °C to +70 °C).

FAIL MODE: ON.

WARRANTY: 5 years.

CAT.NO.	UPC CODE	VOLTAGE (VAC) 50-60Hz	COLOR	RATING	
				TUNGSTEN	BALLAST
5231A	78898	105-130	Grey	1000W	1800VA
5237A	78899	105-305	Blue	1000W	1800VA

5200A SERIES



105 to 305 volt single phase grounded supplies and loads

5200-UL

INSTANT RESPONSE TURN-LOCK PHOTOCONTROL



APPLICATIONS

- Designed meet local utility standards for street and highway lighting controls.

SPECIFICATIONS

ON/OFF: Turn ON is 1.5 foot candle +/- 0.2 OFF/ON ratio is 1.5:1 average.

TIME DELAY: Instant ON/3-5 second OFF.

CELL: Molded sealed IR filtered sensor

RELAY: Rated life 6,000 operations

SURGE ARRESTOR: 360 joule MOV (metal oxide varistor) exceeds ANSI and NEMA requirements.

LOCKING PRONGS: Solid brass for maximum corrosion resistance and electrical conductivity.

CUSTOM: Available for custom design to meet specific utility specification.

TEMPERATURE RANGE: -40 °F to +158 °F (-40 °C to +70 °C).

FAIL MODE: ON.

WARRANTY: 8 years.

FEATURES

SENSOR: Molded sealed IR filtered sensor resists effects of moisture and airborne contaminants. IR filter responds to the light spectrum near to that of a human eye.

STANDARDS: Meets UL773 and ANSI C136.10 including color designations. Also meets EEI NEMA standards.

HOUSING: Polycarbonate housing and window, UV stabilized for permanent color. Polycarbonate provides high impact performance, flammability resistance, and electrically safe operations.

ENERGY SAVINGS: Listed for use with LED lamp drivers.

CONTACTS: DC relay has positive snap action switching, reducing bounce and prolonging contact life. Fail ON for safety.

CUSTOM: Available for custom design to meet specific utility specification.

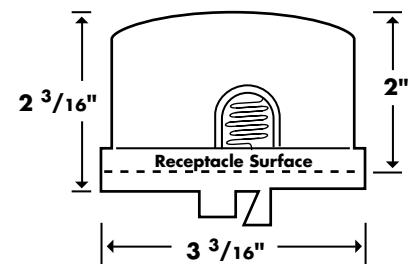
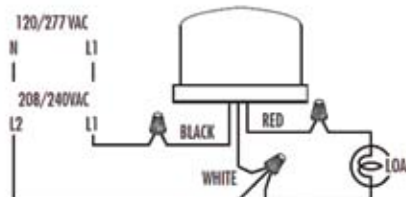
CAT. NO.	UPC CODE	VOLTAGE (VAC) 50-60Hz	COLOR	RATING		LED
				TUNGSTEN	BALLAST	



5237-UL	78895	105-305	Blue	1000W	1800VA*	1000W
---------	-------	---------	------	-------	---------	-------

*cULus Listed 1000VA.

5237-UL



105 to 305 volt single phase grounded supplies and loads

5737 SERIES

ON AT DUSK, OFF AT MIDNIGHT
ON EARLY MORNING,
OFF AT DAWN
PHOTO-TIMERS



APPLICATIONS

- Offices
- Restaurant signage
- Billboards
- Landscape and yard lighting
- Ideal for situations when visible traffic is reduced – lights ON at dusk and OFF at 10pm or later, then on again for early morning illumination.

FEATURES

OPERATION: Microprocessor tracks the dusk and dawn times with the seasons and automatically determines midnight, NO PROGRAMMING REQUIRED. Automatically "re-learns" and resets after power outage, eliminating costly maintenance. DST correction built in.

STANDARDS: Meets ANSI C136.10 including color designations. Also meets EEI NEMA standards.

HOUSING: UV stabilized, ANSI color-coded polypropylene dome. UV stabilized, clear acrylic window. ABS base. Cross-linked, polypropylene gasket.

CONTACTS: DC relay has positive snap action switching, reducing bounce and prolonging contact life. Fail ON for safety.

SPECIFICATIONS

ON/OFF: Turn ON at dusk is 5.0 foot candle +/- 0.5 OFF/ON ratio is 1.5:1 average.

TIME DELAY: Instant ON/3-5 seconds OFF.

CELL: Silicon photosensor

SURGE ARRESTOR: 360 joule MOV (metal oxide varistor) exceeds ANSI and NEMA requirements.

5737TM HALF-NIGHT FUNCTION: Allows user to adjust OFF time during the night. OFF time can be set for up to two hours before (for extra energy savings) or up to two hours after midnight. Use to stagger groups of lights to go OFF at different times during the night.

5737TZ TWO FUNCTION:

1) Standard: Set as a Dusk to Dawn photocontrol.

2) Half-night & Pre-Dawn: Turns on at Dusk. User adjusts OFF time for up to two hours before or after midnight. Then set countdown to Pre-dawn ON again 2 - 10 hours later. It always turns OFF at Dawn.

LOCKING PRONGS: Solid brass Prongs for maximum corrosion resistance and electrical conductivity.

TEMPERATURE RANGE:

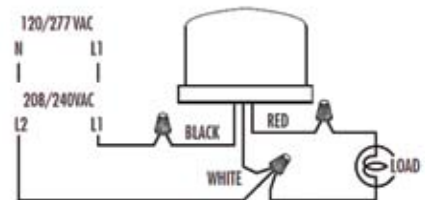
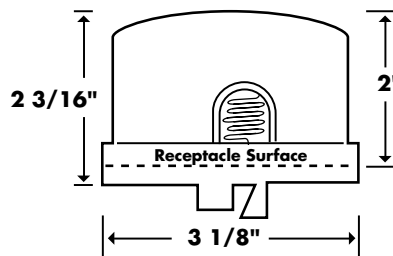
-40 °F to +158 °F (-40 °C to +70 °C).

FAIL MODE: ON.

WARRANTY: 3 years.

CAT. NO.	UPC CODE	VOLTAGE (VAC) 50-60Hz	COLOR	SWITCH	RATING	
					TUNGSTEN	BALLAST
5737TZ	62010	105-305	Blue	SPST	1000W	1800VA
5737TM	62009	105-305	Grey	SPST	1000W	1800VA

5237 SERIES





105-305 VAC
single phase grounded supplies and loads

PHOTOCONTROL ACCESSORIES FOR TURN-LOCK CONTROLS


REPLACEMENT CAPS

5500 replaces photocontrol to change light fixture to always ON.
5500-OC replaces photocontrol to change light fixture to always OFF.
Durable materials and gasket provide longevity and weatherproof protection.

DEVICE	CAT NO.	UPC CODE	DESCRIPTION
	5500	61130	Shorting cap, 480VAC max 1800W Tungsten, 1800VA Ballast
	5500-OC	61132	Open cap, 480VAC max (Black housing)


RECEPTACLE

120-480V 50/60 Hz 15 amp maximum receptacle with color-coded 12" long, #14 leads, mounting bracket and one mounting screw.

DEVICE	CAT NO.	UPC CODE	DESCRIPTION
	2224	61026	Receptacle and mounting bracket


MOUNTING BRACKET

Utility mounting bracket for 1/2" threaded conduit photocontrols.

DEVICE	CAT NO.	UPC CODE	DESCRIPTION
	73866	62020	Mounting Bracket


RECEPTACLE

120-480V 50/60 Hz 15 amp maximum receptacle with color-coded 12" long, #14 leads, gasket and two mounting screws.

DEVICE	CAT NO.	UPC CODE	DESCRIPTION
	2223	61025	Receptacle with gasket

RECEPTACLE

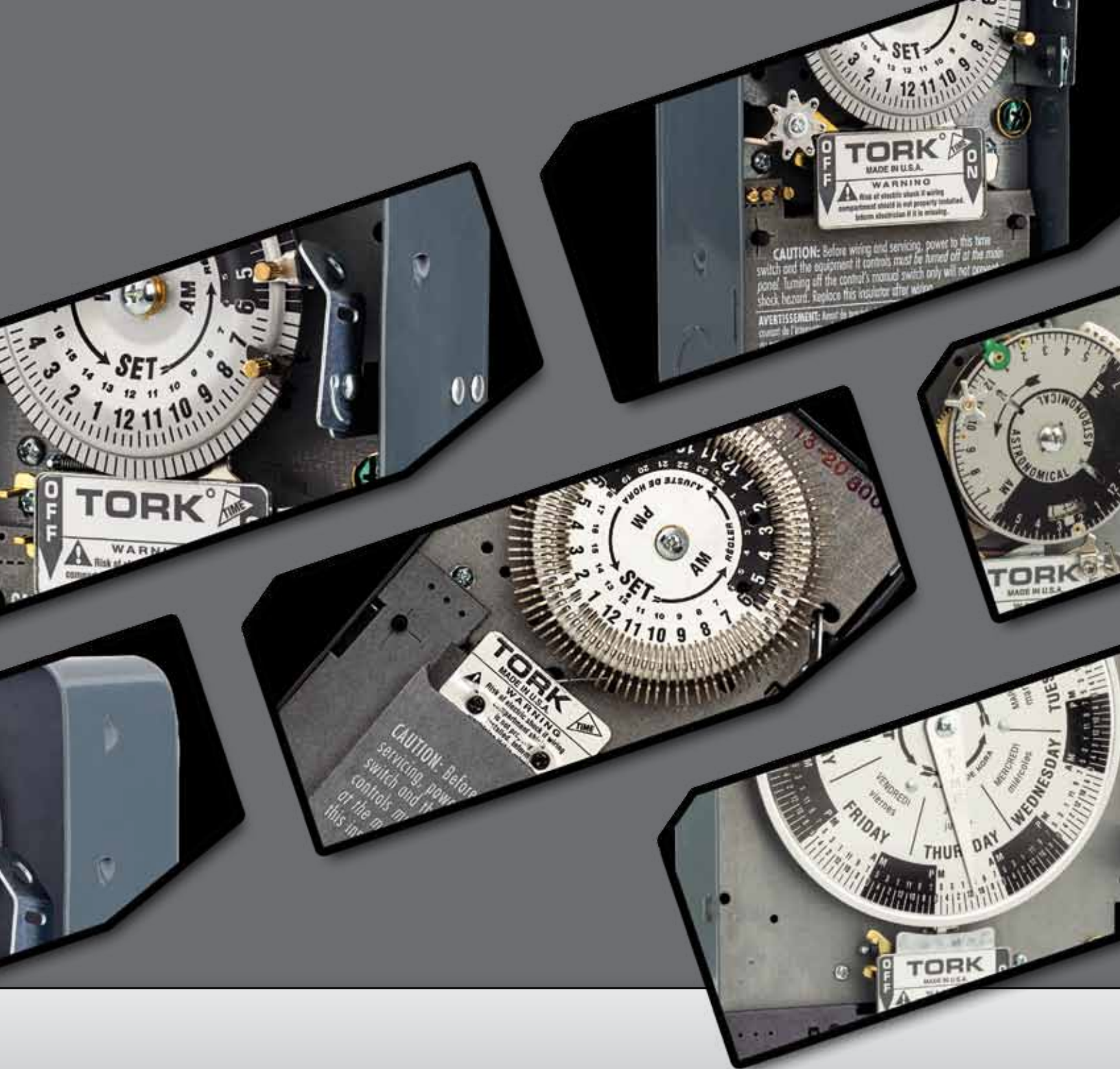
120-480V 50/60 Hz 15 amp maximum receptacle with color-coded 12" long, #14 leads, plastic housing, lock nut (with 1/2" NPT) and a mounting bracket.

DEVICE	CAT NO.	UPC CODE	DESCRIPTION
	2421	61021	Receptacle with plastic housing and bracket





NSi offers many splicing options to complete the pole installation.
See the splicing section pages 217- 238.





TORK® ELECTROMECHANICAL TIME SWITCHES

QUICK REFERENCE GUIDE

SERIES	PAGE NO.	CLOCK DIAL	MINIMUM SETTINGS (MINUTES)		SKIP A DAY	MANUAL OVERRIDE	SUNRISE/SUNSET	MAX ON & OFF EVENTS PER DAY	SWITCH TYPES					RATINGS (AMPS)	RESERVE POWER
			ON	OFF					SPST	DPST	SPDT	DPDT	3PST		
TU40	453	24 Hour	15	15		Permanent		48	SPST	DPST	SPDT	DPDT		40	
1100	455	24 Hour	20	75		Yes		12	SPST	DPST				40	
7000	457	24 Hour	20	75	Yes	Yes		12	SPST	DPST	SPDT	DPDT	3PST	40	Available
7000Z	459	24 Hour	20 or 40 Minute Offset		Yes	Yes		1		DPST	SPDT		3PST	40	Available
TZ	473	24 Hour	20 or 40 Minute Offset		Yes	Permanent by circuit		1				DPDT	3PST	20	Standard
W	467	7 Day	60	120	Yes	Yes		2	SPST	DPST	SPDT	DPDT	3PST 4PST	40	Available
TW	471	7 Day	60	120	Yes	Permanent by circuit		2				DPDT	3PST	20	Standard
T900	469	7 Day	60	120	Yes	Permanent by circuit	Photo Control	2					2 SPDT 3 SPDT	20	Standard
1847A	465	24 Hour	20	75	Yes			12	SPDT, Momentary Contact					10	Available
1847AW	465	7 Day	60	120	Yes	Yes		2	SPDT, Momentary Contact					10	Available
8000	461	24 Hour	15	15	Available			48	SPDT					20	Available
8000	463	6, 12, 30 & 60 Min.	Varies by dial 6 sec. to 1 min.					30/dial	SPDT					20	
WH2B	464	24 Hour	20	75		Yes		12	DPST					40	

EASY TO SET DIAL ASSEMBLY



Tork's 24 hour dial assembly allows the user to set the time switch more accurately, easily moving it by hand in small increments. Dial can provide up to 12 ON/OFFs per day with cycles as short as 20 minutes. AM and PM settings are easy to see by the light and dark areas of the dial.

CAPTIVE TABS – DUTY CYCLE DIAL



For applications requiring many ON/OFF cycles per day, captive tabs on this dial tilt in and out just using your fingertip!

FIELD UPGRADEABLE TO SunSet DIALS



All Tork 24 hour time switches can be upgraded in the field to a SunSet timer dial.

SPRING WOUND RESERVE



During power outages, precision spring mechanism takes over instantly and automatically. Keeps the mechanism on time up to 16 hours on 24 hour models and up to 24 hours on 7 day models. No resetting is needed after power resumes, and field installation is easy.

REMOVABLE DOOR



Tork time switches feature removable doors to provide easy access for installation and wiring.

ENCLOSED MOTOR



Time switch motors are enclosed to protect from dust and damage.

QUALITY ASSURANCE

TORK® Electromechanical Controls are designed and manufactured with components which adhere to the highest industry standards. Trained personnel and in-process quality procedures ensure that every unit meets our strictest quality expectations.

TU40 SERIES

UNIVERSAL MULTI-VOLTAGE
SAME ON/OFF TIMES EACH DAY
24 HOUR TIME SWITCH



ALL PURPOSE
CONTACTS,
HOUSING,
& VOLTAGES!

APPLICATIONS



- Lighting
- Pumps
- Signs
- Air conditioning
- Water heaters
- Fans

FEATURES

MULTI-VOLTAGE: Automatic input voltage detection.

EASY SET: Real time clock face and day/night markings for setting trippers.

SCHEDULING: Minimum ON is setting 15 minutes. Dial has 96 captive trippers.

4 in 1 CONTACTS: DPDT can also wire as SPST, SPDT, & DPST.

BYPASS SWITCH: Sets timer to permanent ON, OFF or timer operation.

VACATION MODE: Set timer OFF with no change of tripper settings.

INDICATING LIGHTS: Power ON green and load ON red and LED indicators.

STANDARDS: Listed UL60370 (formerly UL917).

CAT. NO.	UPC CODE	TIMER SUPPLY (VAC) 60Hz	DRY CONTACTS (UNPOWERED)	ENCLOSURE TYPE
TU40	24000	120/208-240/277	DPDT	Plastic Indoor/Outdoor NEMA 3R
TU40-Y	24001	120/208-240/277	DPDT	Metal Indoor NEMA 1

SPECIFICATIONS

INPUT VOLTAGE: 120/208-240/277VAC, 60Hz (auto detection).

TIMING ACCURACY: Line frequency.

TERMINAL RANGE: #8 - #18 AWG.

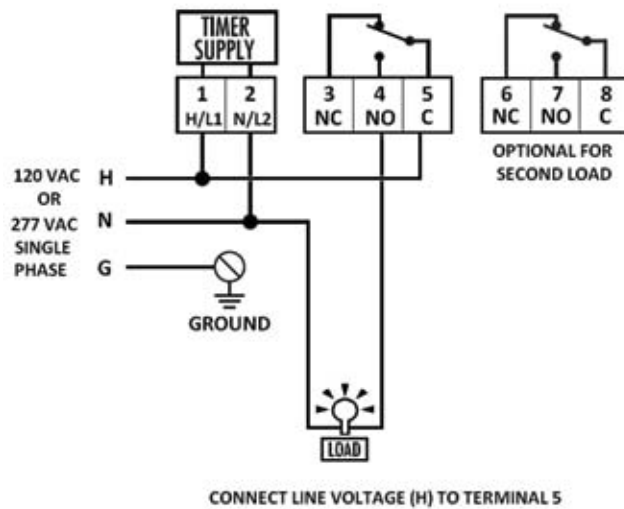
OPERATING TEMPERATURE: -31°F to 116°F (-35°C to +47°C).

POWER CONSUMPTION: 6 watts maximum.

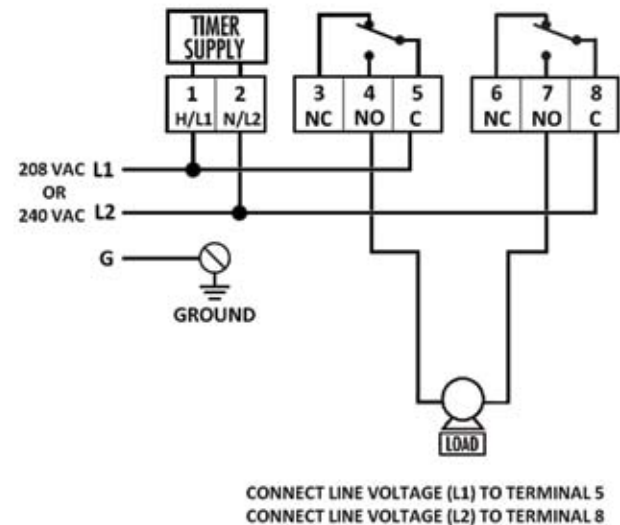
ENCLOSURE: Polycarbonate Indoor/Outdoor NEMA 3R or -Y suffix metal indoor NEMA 1 enclosure. Both with lockable hasp standard (See pages 589-593 for dimensions).

TYPE	VOLTAGE (VAC)	RATING	
		NO	NC
General Purpose	120-277	40A	30A
Inductive	120-277	30A	15A
Ballast	120	30A	10A
	277	20A	10A
Tungsten	120	15A	
Motor Load	120	1HP, 30FLA, 90LRA	¼HP, 12FLA, 30LRA
	240	2HP, 20FLA, 60LRA	½HP, 12FLA, 33LRA
Pilot Duty	120	720VA	290VA
	240	720VA	360VA
Resistive	28VDC	20A	
Max above 104°F	120-277	30A	

TYPICAL SPST WIRING - LOAD SAME VOLTAGE AS TIMER SUPPLY



TYPICAL DPST WIRING - LOAD SAME VOLTAGE AS TIMER SUPPLY



1100 SERIES

SAME DAY ON/OFF
TIMES EACH DAY
24 HOUR TIME SWITCH



APPLICATIONS

- Lighting
- Pumps
- Signs
- Air conditioning
- Water heaters
- Fans

- Automatic ON/OFF control when operation is required at the same time every day.

FEATURES

SCHEDULING: Minimum ON is setting 20 minutes with a minimum OFF setting of 75 minutes. Dial accommodates up to 12 pairs of trippers. One pair included.

MANUAL OVERRIDE: Until the next regularly scheduled ON or OFF automatic operation then resumes.

STANDARDS: Listed UL917.

CAT. NO.	UPC CODE	INPUT SUPPLY (VAC) 60Hz	OUTPUT CONTACTS	ENCLOSURE TYPE
1101B	10064	120	SPST	Metal Indoor NEMA 1
1101B-P	10068	120	SPST	Polycarbonate Indoor/Outdoor NEMA 3R
1101B-PC	10095	120	SPST	Polycarbonate Outdoor w/ clear cover NEMA 3R
1101BM-IAP	10073	120	SPST	Mechanism and retrofit plate
1101-7 **	10033	347	SPST	Metal Indoor NEMA 1
1102B	10065	208-277	SPST	Metal Indoor NEMA 1
1103B	10066	120	DPST	Metal Indoor NEMA 1
1103B-P	10069	120	DPST	Polycarbonate Indoor/Outdoor NEMA 3R
1103B-PC	10096	120	DPST	Polycarbonate Outdoor w/ clear cover NEMA 3R
1103B-O	10098	120	DPST	Metal Indoor/Outdoor NEMA 3
1104B	10067	208-277	DPST	Metal Indoor NEMA 1
1104B-P	10070	208-277	DPST	Polycarbonate Indoor/Outdoor NEMA 3R
1104B-PC	10097	208-277	DPST	Polycarbonate Outdoor w/ clear cover NEMA 3R
1104B-O	10075	208-277	DPST	Metal Indoor/Outdoor NEMA 3
1104BM-MB	10076	208-277	DPST	Mechanism and surface mounting bracket
1104BM-IAP	10074	208-277	DPST	Mechanism and retrofit plate
Replacement Trippers	Order #P47 for a pair of ON/OFF trippers			
Replacement Motor	#101 (120V) & #201 (208-277V)			



Astronomic dial. Consult factory for correct number for your latitude

** 1101-7 CSA only 

SPECIFICATIONS

INPUT VOLTAGE: 120 or 208-277 VAC
60 Hz, varies by model.

TIMING ACCURACY: Line frequency.

TERMINAL RANGE: #8 - #14 AWG.


OPERATING TEMPERATURE:
-40° to 165°F (-40° to +74°C).

POWER CONSUMPTION:
3 watts maximum.

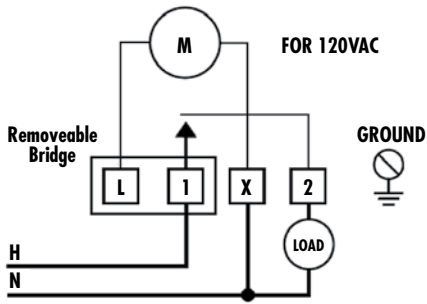
ENCLOSURE: Lockable hasp. Type varies by model (See pages 589-593 for dimensions).

OTHER MOUNTINGS:
Intermatic® Adaptor Plate model #IAP allows any 1100 series to fit into an Intermatic case.

TYPE	VOLTAGE (VAC)	CONTACT RATING
General Purpose	120 -277	40A
Resistive	120 -277	40A
Tungsten	120	40A
Ballast	120-277	20A
NEW! LED Driver	120-277	20A
Pilot Duty	120 240	1000VA 2000VA
Motor	120 240	2HP 5HP
277VAC Single Phase		

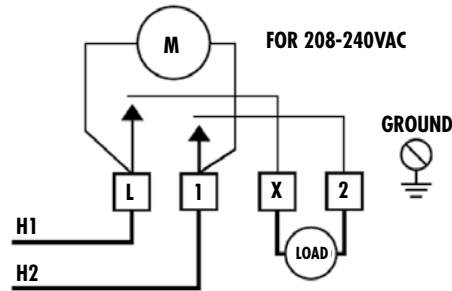
1101-7 is 30 AMP inductive at 347 volts and CSA only 

1101 & 1102

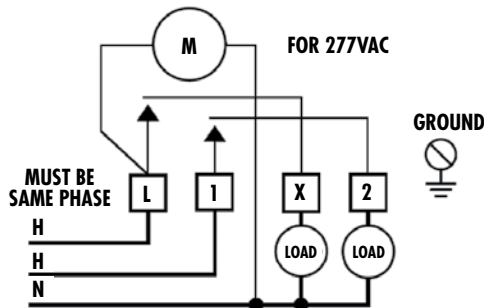
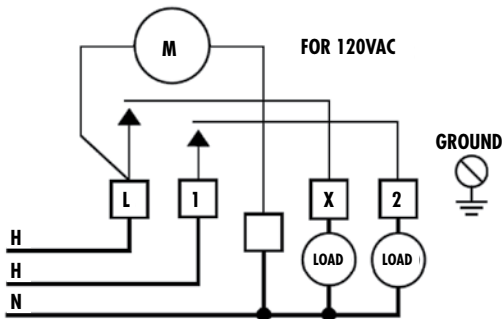


For separate motor terminals remove bridge from terminal L&1.

1104



1103



ATTENTION
TYPICAL FOR DOUBLE POLE
CUT MOTOR LEAD AT 1

7000 SERIES

WITH SKIP-A-DAY FEATURE
RESERVE POWER OPTIONAL
24 HOUR TIME SWITCH



**SKIP-A-DAY
24 HOUR!**

APPLICATIONS



- Lighting
 - Heating
 - Pumps
 - Air conditioning
 - Signs
- Automatic ON/OFF control when operation is required at the same time every day, with optional versatility of one to six days omission.

FEATURES

SCHEDULING: Minimum ON setting is 20 minutes with minimum OFF setting at 75 minutes. Dial accommodates up to 12 pairs of trippers. One pair included.

SKIP-A-DAY: Omit operations on any day with a 7-spoke wheel marked with days of week. 3 omitting screws included.

MANUAL OVERRIDE: Until the next regularly scheduled ON or OFF, automatic operation then resumes.

OPTIONAL RESERVE POWER: "L" models keep dial on time up to 16 hours during power outage.

STANDARDS: Listed UL917.

CAT. NO.	UPC CODE	INPUT SUPPLY (VAC) 60Hz	OUTPUT CONTACTS	ENCLOSURE TYPE
7100	10001	120	SPST	Metal Indoor NEMA 1
7102	10002	208-277	SPST	Metal Indoor NEMA 1
7200	11001	120	DPST	Metal Indoor NEMA 1
7202	11002	208-277	DPST	Metal Indoor NEMA 1
7300	12001	120	3PST	Metal Indoor/Outdoor NEMA 3
7302	12002	208-277	3PST	Metal Indoor/Outdoor NEMA 3
7120	13001	120	SPDT	Metal Indoor NEMA 1
7122	13002	208-277	SPDT	Metal Indoor NEMA 1
7220	14001	120	DPDT	Metal Indoor NEMA 1
WITH RESERVE POWER		(Contact factory for lead time)		
7200L	19003	120	DPST	Metal Indoor NEMA 1
7202L	19004	208-277	DPST	Metal Indoor NEMA 1
7300L	19005	120	3PST	Metal Indoor/Outdoor NEMA 3
7120L	19007	120	SPDT	Metal Indoor NEMA 1
7220L	19009	120	DPDT	Metal Indoor NEMA 1
Replacement Trippers	Order #P49 for a pair of ON/OFF per dial. Additional ON/OFF trippers per dial order #P47. 3 omitting screws #53005 supplied.			
Replacement Motor	#101 (120V) & #201 (208-277V). For "L" models #36 (120V) & #46 (208-277V). For Astronomic Conversion: Order #Z KIT for 7000 Series.			
SunSet Conversion	Astronomic dial. Consult factory for correct number for your latitude			

SPECIFICATIONS

INPUT VOLTAGE: 120 or 208-277 VAC 60 Hz varies by model.

TIMING ACCURACY: Line frequency.

TERMINAL RANGE: #8 - #14 AWG.

OPERATING TEMPERATURE: -40° to 165°F (-40° to +74°C).

POWER CONSUMPTION: 3 watts, 5 watts for "L" models maximum.

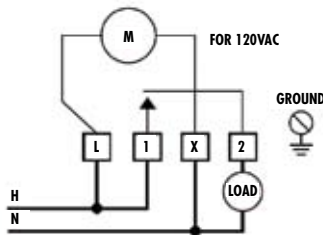
ENCLOSURE: Lockable hasp. Type varies by model (See pages 589-593 for dimensions).

OTHER MOUNTINGS: Intermatic® Adaptor Plate model #IAP allows any 7100 and 7200 series (except "L" models) to fit into an Intermatic case.

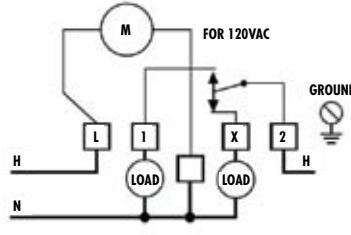
TYPE	VOLTAGE (VAC)	CONTACT RATING
General Purpose	120 -277	40A
Resistive	120 -277	40A
Tungsten	120	40A
Ballast	120-277	20A
Pilot Duty	120 -277	1000VA
Motor	120 240	2HP 5HP

277 volt Single Phase

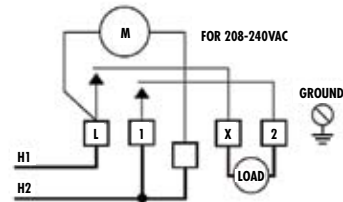
7100 & 7102



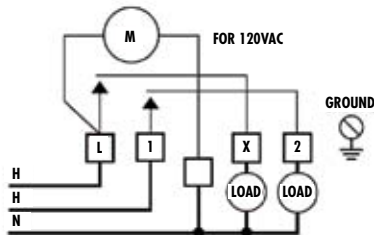
7120 & 7122



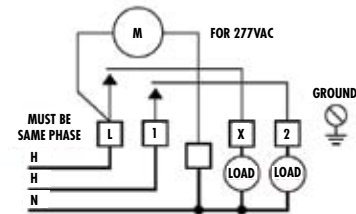
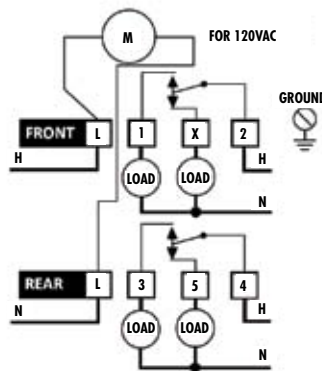
7202



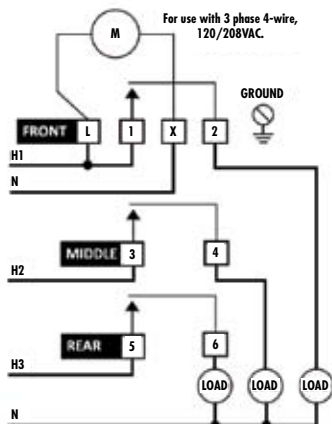
7200



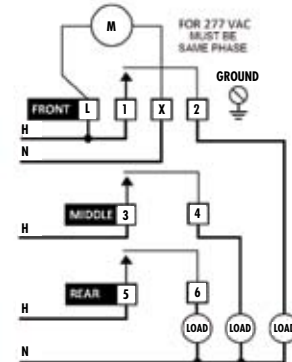
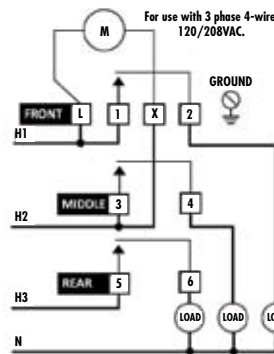
7220



7300



7302



7000Z SERIES

SunSet WITH SKIP-A-DAY FEATURE
RESERVE POWER OPTIONAL
ASTRONOMIC TIME SWITCH



ADJUSTS
TO DAILY
CHANGES IN
SUNSET
TIMES!

APPLICATIONS



- Parking lots
- Walkways
- Outdoor signage
- Window displays
- Canopy lighting
- Landscape lighting

- Automatic ON at dusk, OFF at dawn. Control of outdoor lighting.

FEATURES

SunSet ASTRONOMIC: Adjusts daily to changes in sunset times. Turn ON at sunset and OFF at sunrise daily. OFF time can be set from 8:30PM to 2:30AM. Can be individually offset +/- 20 or 40 minutes from both sunset and OFF times. Available from 18° - 45° northern latitudes.

SKIP-A-DAY: Omit operations on any day with a 7 spoke wheel marked with days of the week. 3 omitting screws included.

MANUAL OVERRIDE: Until the next regularly scheduled ON or OFF, automatic operation then resumes.

OPTIONAL RESERVE POWER: "L" models keep dial on time up to 16 hours during power outage.

STANDARDS: Listed UL917.

CAT. NO.	UPC CODE	INPUT SUPPLY (VAC) 60Hz	OUTPUT CONTACTS	ENCLOSURE TYPE
7200Z-*	**	120	DPST	Noryl® Indoor/Outdoor NEMA 3R
7202Z-*	**	208-277	DPST	Noryl® Indoor/Outdoor NEMA 3R
7300Z-*	**	120	3PST	Metal Indoor/Outdoor NEMA 3
7302Z-*	**	208-277	3PST	Metal Indoor/Outdoor NEMA 3
7120Z-*	**	120	SPDT	Noryl® Indoor/Outdoor NEMA 3R
WITH RESERVE POWER		(Contact factory for lead time)		
7200ZL-*	**	120	DPST	Noryl® Indoor/Outdoor NEMA 3R
7202ZL-*	**	208-277	DPST	Noryl® Indoor/Outdoor NEMA 3R
7300ZL-*	**	120	3PST	Metal Indoor/Outdoor NEMA 3
7302ZL-*	**	208-277	3PST	Metal Indoor/Outdoor NEMA 3
7120ZL-*	**	120	SPDT	Noryl® Indoor/Outdoor NEMA 3R
Replacement Motor	#101 (120V) & #201 (208-277V). For "L" models #36 (120V) & #46 (208-277V)			

*Add degrees latitude to complete number (18, 30, 34, 38, 40, 42, or 45).

**Consult factory for UPC number.

SPECIFICATIONS

INPUT VOLTAGE: 120 or 208-277 VAC
60 Hz, varies by model.

TIMING ACCURACY: Line frequency.

TERMINAL RANGE: #8 - #14 AWG.

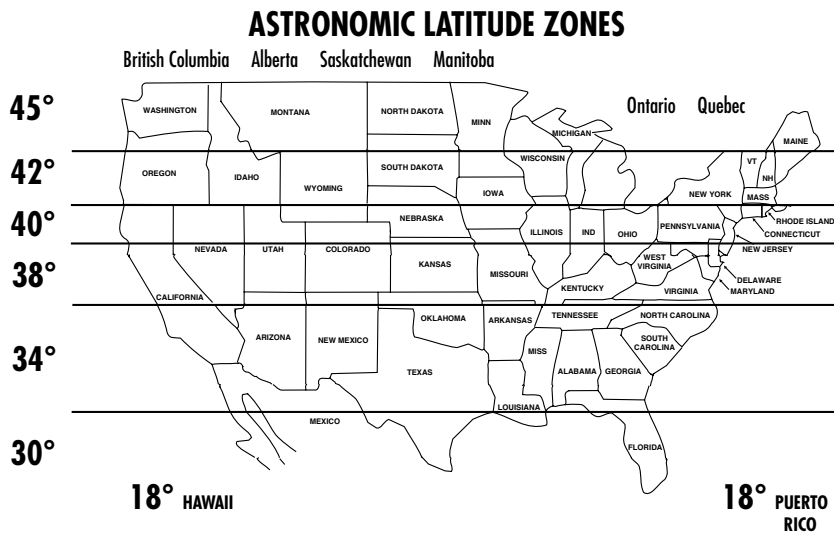
OPERATING TEMPERATURE:
-40° to 165°F (-40° to +74°C).

POWER CONSUMPTION: 3 watts,
5 watts for "L" models maximum.

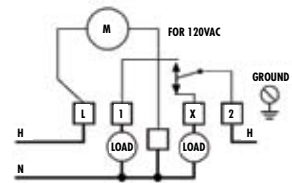
ENCLOSURE: Lockable hasp. Type
varies by model (See pages 589-593 for
dimensions).

TYPE	VOLTAGE (VAC)	CONTACT RATING
General Purpose	120 -277	40A
Resistive	120 -277	40A
Tungsten	120	40A
Ballast	120-277	20A
Pilot Duty	120 -277	1000VA
Motor	120 240	2HP 5HP

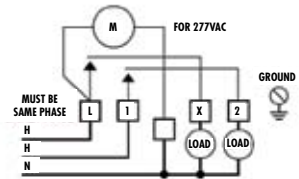
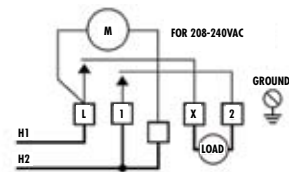
277VAC Single Phase



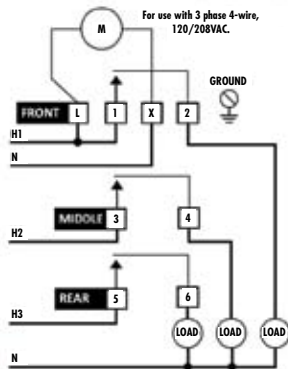
7120Z



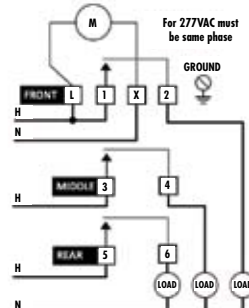
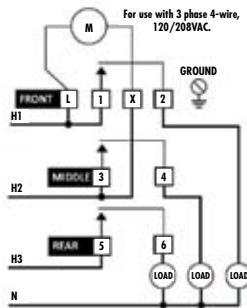
7200Z



7300Z



7302Z



8000 SERIES

MANY DAILY ON/OFF OPERATIONS PER DAY
DUTY CYCLE
 24 HOUR TIME SWITCH



**DUTY CYCLE
 FOR
 MULTIPLE
 ON/OFF
 OPERATIONS!**

APPLICATIONS



- Duty cycling
- Ventilating fans
- Pumping
- Irrigation
- Process control
- Laboratory experiments

- For one or multiple daily ON/OFF operations.

FEATURES

SCHEDULING: Minimum ON setting is 15 minutes with minimum OFF setting at 15 minutes. Dial has 96 captive tabs.

DUTY CYCLE: Adjustable from 1/2, 1, 2, 3, 4, 6, 12, and 24 hours.

SKIP-A-DAY: Some models include 7 day or 14 day wheel to omit selected days of the week.

OPTIONAL RESERVE POWER: "L" models keep dial on time up to 16 hours during power outage.

STANDARDS: Listed UL917.

CAT. NO.	UPC CODE	INPUT SUPPLY (VAC) 60Hz	OUTPUT CONTACTS	ENCLOSURE TYPE
8001	70001	120	SPDT	Metal Indoor NEMA 1
8001-N	70025	120	SPDT	Noryl® Indoor/Outdoor NEMA 3R
8001-NC	70009	120	SPDT	Noryl® Indoor/Outdoor NEMA 3R w/ clear Lexan® cover
8001-LC/WB	70010	120	SPDT	Mechanism and bracket
8001-O	70029	120	SPDT	Metal Indoor/Outdoor NEMA 3
8004	70002	208-277	SPDT	Metal Indoor NEMA 1
8001U	70003	480/120 Trans.	SPDT	Metal Indoor NEMA 1
8001U-N	70014	480/120 Trans.	SPDT	Noryl® Indoor/Outdoor NEMA 3R
8001U-O	70011	480/120 Trans.	SPDT	Metal Indoor/Outdoor NEMA 3
24 HOUR WITH SKIP-A-DAY				
8007	70005	120	SPDT	Metal Indoor NEMA 1
8007-O	70012	120	SPDT	Metal Indoor/Outdoor NEMA 3
8008	70006	208-277	SPDT	Metal Indoor NEMA 1
8007U	70008	480/120 Trans.	SPDT	Metal Indoor NEMA 1
8007U-O	70028	480/120 Trans.	SPDT	Metal Indoor/Outdoor NEMA 3
24 HOUR WITH SKIP-A-DAY & RESERVE POWER			(Contact factory for lead time)	
8007L	70015	120	SPDT	Metal Indoor NEMA 1
8008L	70016	208-277	SPDT	Metal Indoor NEMA 1

Replacement Motor

#101 (120V) & #201 (208-277V).
 For "L" models #36 (120V) & #46 (208-277V)

SPECIFICATIONS

INPUT VOLTAGE: 120, 208-277VAC or 480VAC, 60Hz, varies by model.

TIMING ACCURACY: Line frequency.

TERMINAL RANGE: #8 - #14AWG.

OPERATING TEMPERATURE:

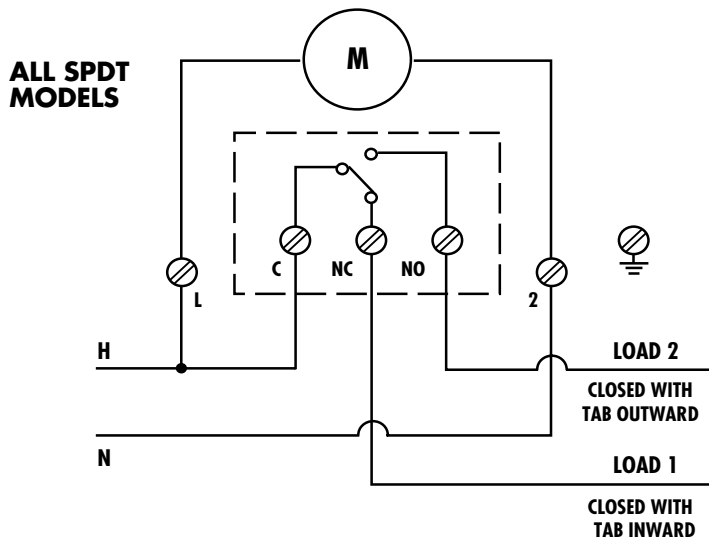
-40° to 165°F (-40° to +74°C).

POWER CONSUMPTION: 3 watts, 5 watts for "L" models maximum.

ENCLOSURE: Lockable hasp. Type varies by model (See pages 589-593 for dimensions).

OTHER MOUNTINGS: Intermatic® Adaptor Plate model #IAP allows 8001 & 8004 to fit into an Intermatic® case.

TYPE	VOLTAGE (VAC)	CONTACT RATING
Resistive	120 or 240 480	20A 20A
Motor	120	3/4 HP



8000 SERIES

MULTIPLE ON/OFF CYCLES
REPEATING VARIABLE CYCLE
TIME SWITCH



SPECIFICATIONS

- INPUT VOLTAGE:** 120VAC, 60Hz.
TIMING ACCURACY: Line frequency.
TERMINAL RANGE: #8 - #14AWG.
OPERATING TEMPERATURE:
 -40° to 165°F (-40° to +74°C).
POWER CONSUMPTION:
 3 watts maximum.
ENCLOSURE: Indoor NEMA 1 Metal
 with lockable hasp (See pages 589-593
 for dimensions).

APPLICATIONS



- Duty cycling
 - Ventilating fans
 - Pumping
 - Irrigation
 - Process control
 - Laboratory experiments
- For one or many daily ON/OFF operations.

FEATURES

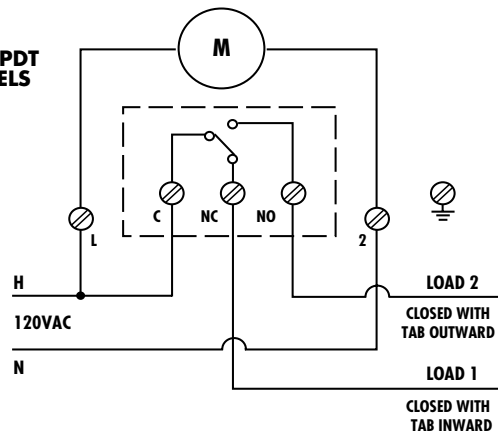
- SCHEDULING:** 60 captive tabs per dial with minimum ON/OFF settings:
- 60 minute dial with 1 minute tabs.
 - 30 minute dial with 30 second tabs.
 - 12 minute dial with 12 second tabs.
- DUTY CYCLE:** Settings of 1/60 th of dial speed.
- STANDARDS:** Listed UL917.

CAT. NO.	UPC CODE	INPUT SUPPLY (VAC) 60Hz	OUTPUT CONTACTS	TYPE
8601	70034	120	SPDT	60 Minute
8301	70033	120	SPDT	30 Minute
8121	70032	120	SPDT	12 Minute
Replacement Motor	For 8601 #102, for 8301 #108, for 8121 #107, and for 8061 #105.			

TYPE	VOLTAGE (VAC)	CONTACT RATING
Resistive	120 or 240	20A
	480	20A
Motor	120	3/4 HP

FOR MORE TIMING CHOICES SEE ELECTRONIC EJMT WITH 960 TIMING COMBINATIONS ON PAGES 513-514

ALL SPDT MODELS



WH2B 24 HOUR WATER HEATER TIME SWITCH



Avoid utility peak rates
Turn off when not needed



SPECIFICATIONS

INPUT VOLTAGE: 208 – 250V 60 Hz.

TIMING ACCURACY: Line frequency.

TERMINAL RANGE: #8 - #14AWG.

OPERATING TEMPERATURE:
-40° to 165°F (-40° to +74°C).

POWER CONSUMPTION:
3 watts maximum.

ENCLOSURE: Indoor NEMA 1 Metal with lockable hasp (See pages 589-593 for dimensions).

APPLICATIONS

Automatic ON/OFF control of electric water heaters. Schedules the water heater to turn ON only when needed, avoiding energy waste when hot water is not needed.

CAT. NO.	UPC CODE	INPUT SUPPLY (VAC) 60Hz	OUTPUT CONTACTS	ENCLOSURE TYPE
WH2B	70044	208-250	DPST	Metal Indoor NEMA 1

TYPE	VOLTAGE (VAC)	CONTACT RATING
Resistive	208-250	40 A 10,000W
Replacement Motor	#201 (208-277)	

Replacement Trippers Order #P47 for a pair of ON/OFF trippers

FOR A SEVEN-DAY WATER HEATER TIMER SEE ELECTRONIC DTW40 ON PAGES 513-514

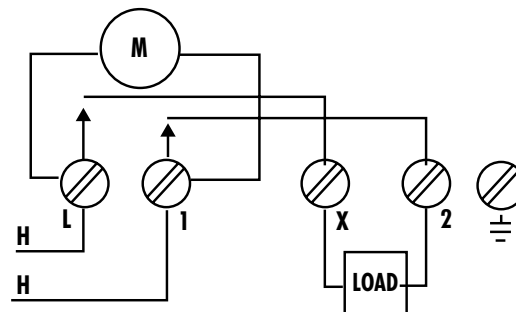
FEATURES

SCHEDULING: Minimum ON is setting 20 minutes with a minimum OFF setting of 75 minutes. Dial accommodates up to 12 pairs. 3 pairs of trippers supplied.

EXTERNAL MANUAL OVERRIDE: Until the next regularly scheduled ON or OFF automatic operation then resumes.

STANDARDS: Listed UL917.

TYPICAL FOR 240 VOLT SUPPLY



1800 SERIES

FOR MECHANICALLY HELD CONTACTORS
AND LOW VOLTAGE REMOTE CONTROL
MOMENTARY CONTACT
TIME SWITCH



APPLICATIONS



- Mechanically-held contactors
- 3-wire momentary
- lighting systems
- Remote station switching

FEATURES

24 HOUR SKIP-A-DAY: Minimum ON setting is 20 minutes with minimum OFF setting at 75 minutes. Dial accommodates up to 12 pairs of trippers. Omit operations on any day with a 7 spoke wheel marked with days of week.

7 DAY SCHEDULING: Minimum ON setting is 1 hour with a minimum OFF setting of 2 hours. Minimum 8 hours between 2 OFF settings. 7 day calendar dial will accommodate up to 2 pairs on ON/OFF trippers per day - 7 pairs are supplied.

MANUAL OVERRIDE: Until the next regularly scheduled ON or OFF, automatic operation then resumes.

OPTIONAL ASTRONOMIC SCHEDULING: Turn ON at sunset and OFF at sunrise daily. OFF time can be set from 8:30PM to 2:30AM. Can be individually offset +/- 20 or 40 minutes from both sunset and OFF times. Order astronomic dial for 1847A

STANDARDS: Listed UL917.

CAT. NO.	UPC CODE	INPUT SUPPLY (VAC) 60Hz	OUTPUT CONTACTS	TYPE
1847A	52001	120	SPDT Momentary	24 Hour
1847AW	52005	120	SPDT Momentary	7 Day
Replacement Trippers	For 24 hour models order #P49 for a pair ON/OFF per dial. Additional ON/OFF trippers per dial order #P47. 3 omitting screws #53005 supplied. 7 day models order #P69 for 7 pairs of ON/OFF trippers.			
Replacement Motor	#101(120V)			

 Astronomic dial. Consult factory for correct number for your latitude

SPECIFICATIONS

INPUT VOLTAGE: 120VAC 60Hz

TIMING ACCURACY: Line frequency.

TERMINAL RANGE: #12 - #22AWG.

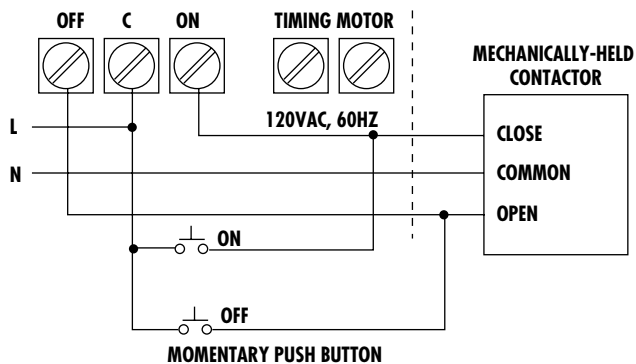
OPERATING TEMPERATURE:

-40° to 165°F (-40° to +74°C).

POWER CONSUMPTION: 3 watts, 5 watts for "L" models maximum.

ENCLOSURE: NEMA 1 Metal with lockable hasp
(See pages 589-593 for dimensions).

TYPE	VOLTAGE (VAC)	CONTACT RATING
General Purpose	24-277	10A
Pilot Duty	24-277	360VA



ASTRONOMIC LATITUDE ZONES



W SERIES

DIFFERENT SCHEDULES EACH DAY

7 DAY TIME SWITCH



APPLICATIONS



- Heating
- Air conditioning
- Display lighting
- Ventilating systems
- Lighted signage
- Storefront lighting

FEATURES

SCHEDULING: Minimum ON setting is 1 hour with a minimum OFF setting of 2 hours. Minimum 8 hours between 2 OFF settings. Models W400A and W402A offer minimum ON/OFF settings of 3½ hours. 7 day calendar dial accommodates up to 2 pairs of ON/OFF trippers per day – 7 pairs are supplied.

SKIP-A-DAY: Omit operations on any day.

MANUAL OVERRIDE: Until the next regularly scheduled ON or OFF automatic operation then resumes.

OPTIONAL RESERVE POWER: "L" models keep dial on time up to 24 hours during power outage.

STANDARDS: Listed UL917.

CAT. NO.	UPC CODE	INPUT SUPPLY (VAC) 60Hz	OUTPUT CONTACTS	ENCLOSURE TYPE
W100	30001	120	SPST	Metal Indoor NEMA 1
W120	33001	120	SPDT	
W200	31001	120	DPST	
W202	31011	208-277	DPST	
W220	34001	120	DPDT	
W222	34011	208-277	DPDT	
W300	32001	120	3PST	
W400B*	35003	120	4PST	
W402B*	35004	208-277	4PST	
WITH RESERVE POWER		(Contact factory for lead time)		
W220L	39009	120	DPDT	Metal Indoor NEMA 1
W222L	39010	208-277	DPDT	
W300L	39005	120	3PST	
W302L	39006	208-277	3PST	
W400BL*	39008	120	4PST	
Replacement Trippers	Order #P69 for 7 pairs of ON/OFF trippers			
Replacement Motor	#101 (120V) & #201 (208-277V). For "L" models order #36 (120V) and #46 (208-277V).			

*UL Listed only.

SPECIFICATIONS

INPUT VOLTAGE: 120 or 208-277VAC, 60Hz, varies by model.

TIMING ACCURACY: Line frequency.

TERMINAL RANGE: #8 - #14AWG.

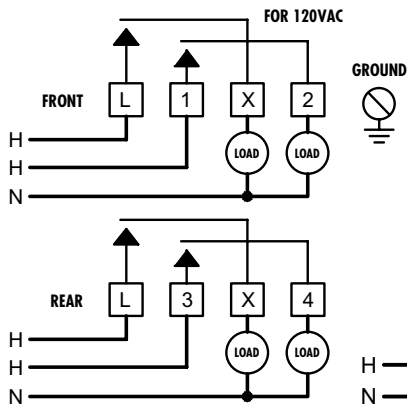
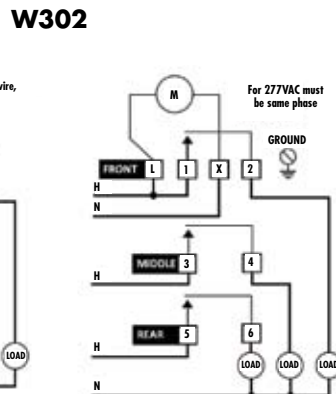
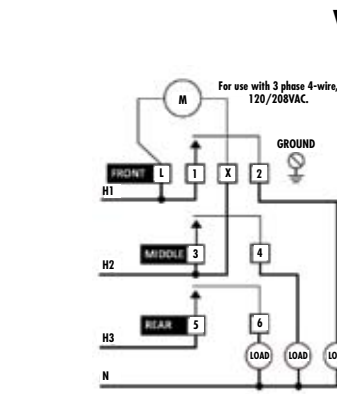
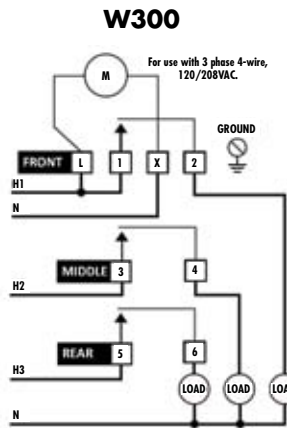
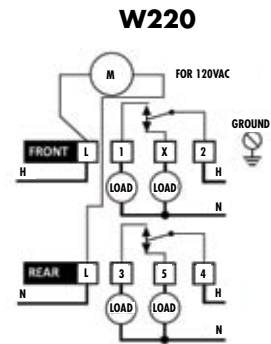
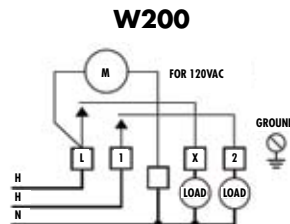
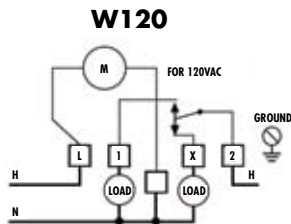
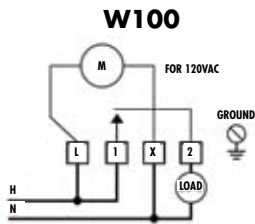
OPERATING TEMPERATURE: -40° to 165°F (-40° to +74°C).

POWER CONSUMPTION: 3 watts, 5 watts for "L" models maximum.

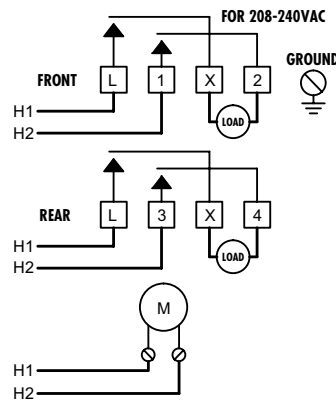
ENCLOSURE: Indoor NEMA 1 Metal with lockable hasp. (See pages 589-593 for dimensions).

TYPE	VOLTAGE (VAC)	CONTACT RATING
General Purpose	120 -277	40A
Resistive	120 -277	40A
Tungsten	120	40A
Ballast	120-277	20A
Pilot Duty	120 -277	1000VA
Motor	120 240	2HP 5HP

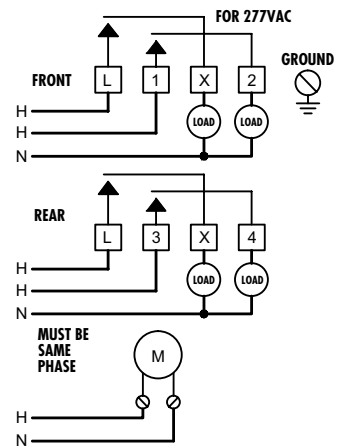
277VAC Single Phase



W400



W402



T900 SERIES

PHOTOELECTRIC & 7 DAY CONTROL COMBO
DIFFERENT SCHEDULES EACH DAY
RESERVE POWER STANDARD
2 & 3 CIRCUIT CONTROL CENTERS

APPLICATIONS

- Parking lot lighting
- HVAC
- Display lighting
- Security lighting
- Lighted signage
- Storefront lighting



Optional "E" cover



Model 2101
supplied with unit.

FEATURES

SCHEDULING:

CIRCUIT 1: ON automatically at dusk, OFF at individual preset times each day, including skipping days when desired. Unit can be set to turn ON before dawn for early morning lighting.

CIRCUIT 2: ON at dusk, OFF at dawn automatically, daily.

CIRCUIT 3: Individual daily ON and OFF settings at desired times, including skipping any desired day or days Minimum ON is setting 1 hour with a minimum OFF setting of 2 hours. Minimum 8 hours between 2 OFF settings. 7 day calendar dial will accommodate up to 2 pairs of ON-OFF trippers per day – 7 pairs are supplied.

SKIP-A-DAY: Omit operations on any day.

MANUAL BY-PASS SWITCHES: Single pole, 20 Amps – one per circuit. Factory pre-wired to terminal strip. ON/OFF/AUTO positions for each circuit is independent – will not disturb automatic settings.

RESERVE POWER: Standard feature on all models keep dial on time up to 24 hours during power outage.

OPTIONAL ENCLOSURES: Contact factory for available options and lead time.

CAT. NO.	UPC CODE	INPUT SUPPLY (VAC) 60Hz	OUTPUT CONTACTS	ENCLOSURE TYPE
T920L	41033	120	2 SPDT	Metal Indoor NEMA 1
T930L	41055	120	3 SPDT	Metal Indoor NEMA 1
Replacement Trippers		#P69 for 7 pairs of ON/OFF trippers.		
Replacement Motor		#36 (120V)		
Replacement Bypass Switch		#66061		

TYPE	VOLTAGE (VAC)	CONTACT RATING
General Purpose	120/277	20A
Motor	120 240	1HP 2HP

NOTE: All models are designed to control a contactor circuit and are not recommended for direct switching of most lighting loads.

SPECIFICATIONS

INPUT VOLTAGE: 120, 60 Hz

TIMING ACCURACY: Line frequency.

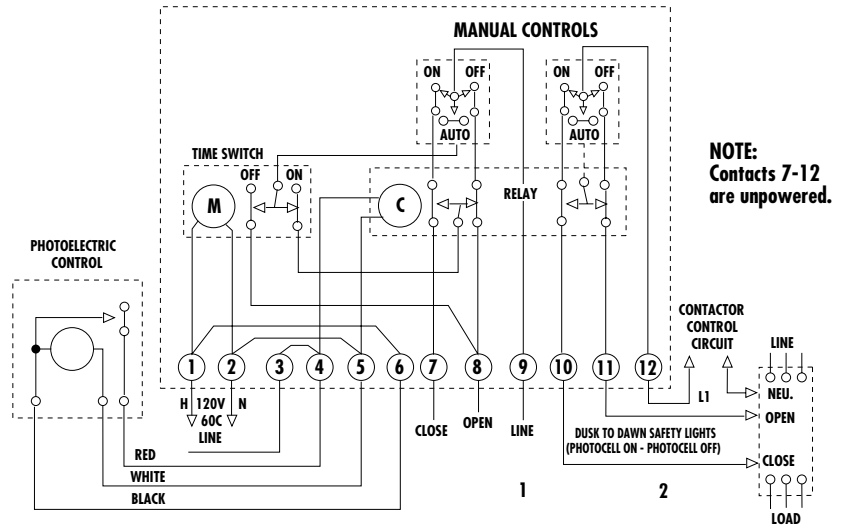
TERMINAL RANGE: #8 - #14AWG.

OPERATING TEMPERATURE:
-40° to 165°F (-40° to +74°C).

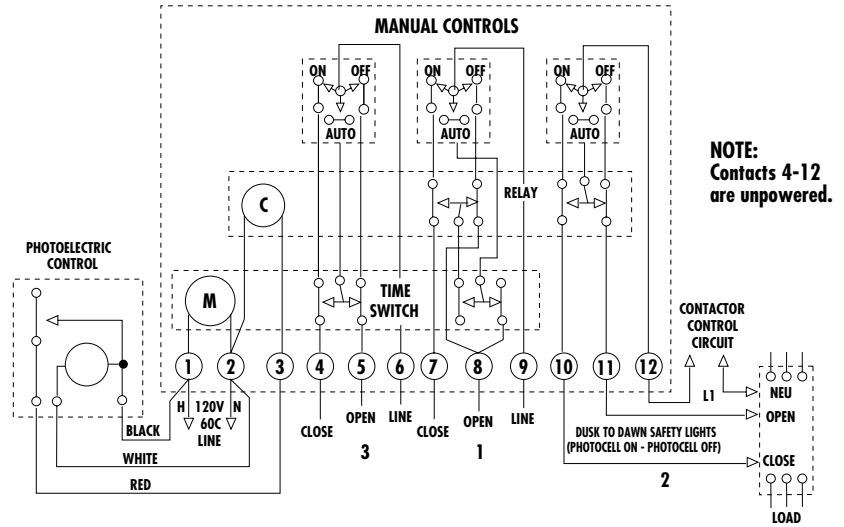
POWER CONSUMPTION:
5 watts maximum.

ENCLOSURE: Indoor NEMA 1 Metal with lockable hasp. (See pages 589-593 for dimensions).

T920L ONLY CIRCUITS 1 AND 2 ARE INCLUDED IN T920L



T930L ALL 3 CIRCUITS ARE INCLUDED IN T930L



NOTE 1: All models designed to control mechanically-held and magnetic contactors, when wired in accordance with manufacturers recommendations. Contacts are unpowered control circuits rated for 24-277V contactor coils. See notes on wiring schematics.

NOTE 2: For momentary Contact of contactor coils, use TORK Model SMC-3D, in our Digital Controls Catalog.

TW SERIES

DIFFERENT SCHEDULES EACH DAY
 MANUAL BYPASS SWITCHES
 RESERVE POWER STANDARD
 7 DAY TIME SWITCH

APPLICATIONS

- Heating
- Air conditioning
- Display lighting
- Ventilating systems
- Lighted signage
- Storefront lighting



Optional "E" cover

FEATURES

SCHEDULING: Minimum ON setting is 1 hour with a minimum OFF setting of 2 hours. Minimum 8 hours between 2 OFF settings. 7 day calendar dial accommodates up to 2 pairs of ON-OFF trippers per day – 7 pairs are supplied.

SKIP-A-DAY: Omit operations on any day.

MANUAL OVERRIDE: Until the next regularly scheduled ON or OFF, automatic operation then resumes.

MANUAL BY-PASS SWITCHES: Single pole, 20 Amps – one per circuit. Factory pre-wired to terminal strip. ON/OFF/AUTO positions for each circuit is independent – will not disturb automatic settings.

RESERVE POWER: Standard feature on all models keep dial on time up to 24 hours during power outage.

OPTIONAL ENCLOSURES: Contact factory for available options and lead time.

CAT. NO.	UPC CODE	INPUT SUPPLY (VAC) 60Hz	OUTPUT CONTACTS	ENCLOSURE TYPE
RESERVE POWER: (Contact factory for lead time)				
TW-220L	39013	120	DPDT	Metal Indoor NEMA 1
TW-300L	39015	120	3PST	Metal Indoor NEMA 1
Replacement Trippers	Order #P69 for 7 pairs of ON/OFF trippers.			
Replacement Motor	#36 (120V)			
Replacement Bypass Switch	#66061			

TYPE	VOLTAGE (VAC)	CONTACT RATING
General Purpose	120/277	20A
Motor	120 240	1HP 2HP

NOTE: All models are designed to control a contactor circuit and are not recommended for direct switching of most lighting loads.

SPECIFICATIONS

INPUT VOLTAGE:

120VAC, 60Hz

TIMING ACCURACY: Line frequency.

TERMINAL RANGE: #8 - #14AWG.

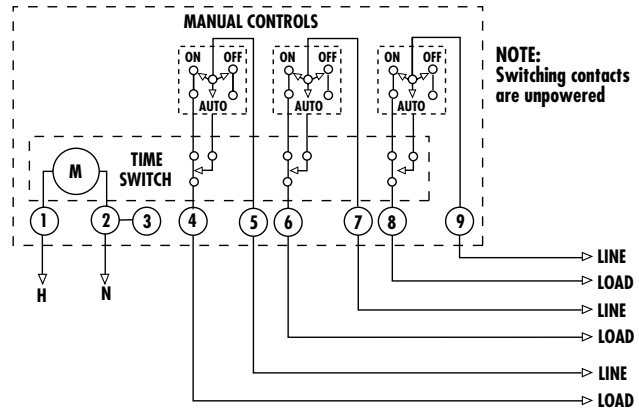
OPERATING TEMPERATURE:

-40° to 165°F (-40° to +74°C).

POWER CONSUMPTION:

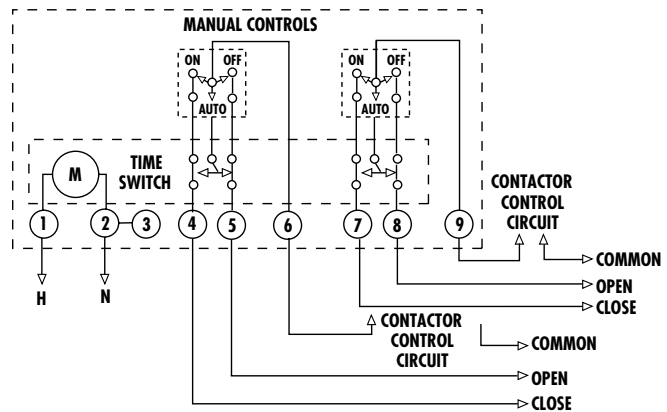
5 watts maximum.

ENCLOSURE: Indoor NEMA 1 Metal with lockable hasp (See pages 589-593 for dimensions).



TW300L

When single line source is used, jumper terminals 1-5-7-9 and connect all commons to terminals 2 and 3.



TW220L

Wiring shown is for mechanically-held contactors. Use CLOSE terminal only for magnetically-held contactors and to control direct loads not exceeding 2000 watts.

TZ SERIES

MANUAL BYPASS SWITCHES
RESERVE POWER STANDARD
ASTRONOMIC TIME SWITCH



Optional "E" cover

APPLICATIONS

- Schools
- Industrial yards
- Shop windows
- Parking lots
- Highway signs
- Bridges

FEATURES

SunSet ASTRONOMIC: Adjusts daily to changes in sunset times. Turn ON at sunset and OFF at sunrise daily. OFF time can be set from 8:30PM to 2:30AM. Can be individually offset +/- 20 or 40 minutes from both sunset and OFF times. Available from 18° - 45° northern latitudes.

SKIP-A-DAY: Omit operations on any day with a 7 spoke wheel marked with days of the week. 3 omitting screws included.

MANUAL OVERRIDE: Until the next regularly scheduled ON or OFF, automatic operation then resumes.

MANUAL BYPASS SWITCHES: Single pole, 20 Amps - one per circuit. Factory pre-wired to terminal strip. ON/OFF/AUTO positions for each circuit is independent, will not disturb automatic settings.

RESERVE POWER: Standard feature on all models keep dial on time up to 24 hours during power outage.

OPTIONAL ENCLOSURES: Contact factory for available options and lead time.

CAT. NO.	UPC CODE	INPUT SUPPLY (VAC) 60Hz	OUTPUT CONTACTS	ENCLOSURE TYPE
RESERVE POWER: (Contact factory for lead time)				
TZ220L*	**	120	DPDT	Metal Indoor NEMA 1
TZ300L*	**	120	3PST	Metal Indoor NEMA 1
Replacement Motor	For "L" models #36 (120V)			
Replacement Bypass Switch	#66061			

*Add degrees latitude to complete number (18, 30, 34, 38, 40, 42, or 45).
**Consult factory for UPC number.

TYPE	VOLTAGE (VAC)	CONTACT RATING
General Purpose	120/277	20A
Motor	120 240	1HP 2HP

NOTE: All models are designed to control a contactor circuit and are not recommended for direct switching of most lighting loads.

SPECIFICATIONS

INPUT VOLTAGE:

120VAC, 60Hz

TIMING ACCURACY: Line frequency.

TERMINAL RANGE: #8 - #14AWG.

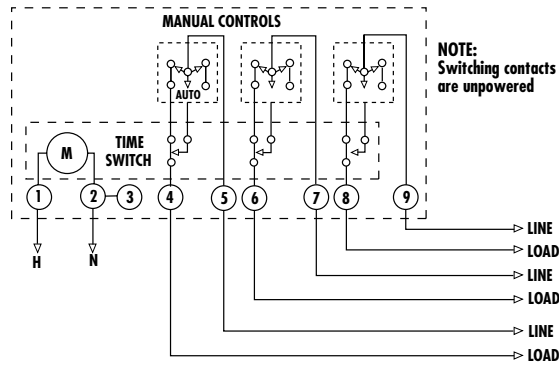
OPERATING TEMPERATURE:

-40° to 165°F (-40° to +74°C).

POWER CONSUMPTION:

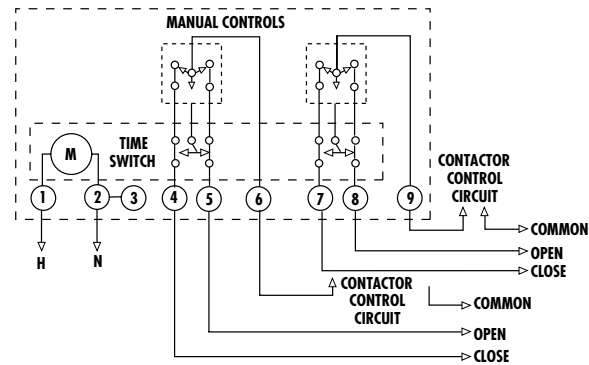
5 watts maximum.

ENCLOSURE: Indoor NEMA 1 Metal with lockable hasp (See pages 589-593 for dimensions).



TW300L

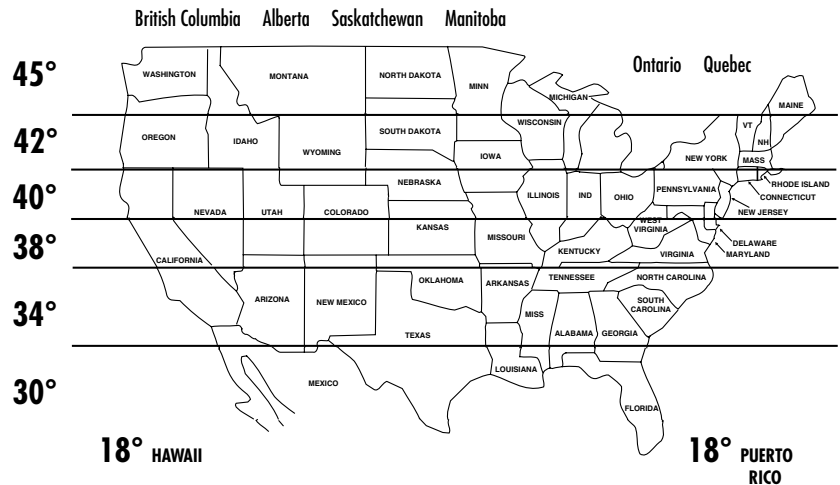
When single line source is used, jumper terminals 1-5-7-9 and connect all commons to terminals 2 and 3.



TW220L

Wiring shown is for mechanically-held contactors. Use CLOSE terminal only for magnetically-held contactors and to control direct loads not exceeding 2000 watts.

ASTRONOMIC LATITUDE ZONES







TORK® DIGITAL TIME SWITCHES

QUICK REFERENCE GUIDE

	DTU40 DTWH40	EH20C	SA300	E-PB	E	EW	EWZ	DG	DGM	DW	DWZ	DTS
Page No.	479	481	483	485	485	487	489	491	491	493	493	495
Number of Channels	1	1	1	1	1 or 2	1 or 2	1 or 2	1 or 2	1	2	1	1, 2 or 4
ON/OFF Set Points	7 pair	14	1 pair	20	20	20	20	56	56	99	99	99
365 Day/7 Day Scheduling	7 day	7 day	7 day	24 hour	24 hour	7 day	7 day	7/365 day	7/365 day	7/365 day	7/365 day	7/365 day
Automatic Daylight Savings Adjustment	Manual	Yes	Manual	Yes	Yes	Yes	Yes	Yes	Yes	Yes	Yes	Yes
Leap Year		Yes		Yes	Yes	Yes	Yes	Yes	Yes	Yes	Yes	Yes
Individual Holiday Schedules										24	24	24
Block Holiday		Yes						9	9			
Season Scheduling												4
 SunSet (Astronomic)			ZipSet				Yes				Yes	
Photosensor Input												
Remote Override Input												
Signal/Pulse Duration												Yes
Momentary for Contactors					Option	Option	Option		Yes			
Duty Cycle												
31 Day Cycle												
Manual Override	Yes	Yes	Yes	Yes	Yes	Yes	Yes	Yes	Yes	Yes	Yes	Yes
Clock Format	AM/PM	AM/PM	AM/PM	AM/PM	AM/PM	AM/PM	AM/PM	12/24	12/24	12/24	12/24	12/24
Power Outage Backup	Rechargeable Battery	4 day Super Capacitor	Battery	4 day Super Capacitor	4 day Super Capacitor	4 day Super Capacitor	4 day Super Capacitor	7 day Super Capacitor	7 day Super Capacitor	7 day Super Capacitor	7 day Super Capacitor	7 day Super Capacitor
Schedule Retention without power	Battery	Permanent	Battery	Permanent	Permanent	Permanent	Permanent	Permanent	Permanent	Permanent	Permanent	Permanent
Staggered Start					Yes	Yes	Yes	Yes	Yes	Yes		Yes
Memory Module												
Computer Programming Software												
Output Contacts: Amps Resistive or General Purpose	40A	40A	40A	30A	40A	40A	40A	20A	20A	30A	30A	30A
Contact Type: Dry Unpowered	Yes	Yes	No	Yes	Yes	Yes	Yes	Yes	Yes	Yes	Yes	Yes
Voltage Input AC	120/208-240/277	120-277	120 or 120/277	120	120-277	120-277	120-277	120-277	120-277	120/208-240/277	120/208-240/277	120/208-240/277
Other Voltage Inputs Available												

	LIGHTING CONTROLS							CYCLE - SIGNAL TIMER		DIN
	DZS	DZM	ELC74/78/712	DGU	DGUM	DGLC	DLC400	DG	DGS	
Page No.	497	499	505	503	503	503	507	511	511	517
Number of Channels	1, 2, or 4	2	4, 8, or 12	1	1	1 or 2	4	1 or 2	1	1 or 2
ON/OFF Set Points	99	99	128	56	56	56	99	56	56	8 pair 3 pair/ch
365 Day/7 Day Scheduling	7/365 day	7/365 day	7/365 day	7/365 day	7/365 day	7/365 day	7/365 day	24 Hour	7 Day	7 Day
Automatic Daylight Savings Adjustment	Yes	Yes	Yes	Yes	Yes	Yes	Yes	Yes	Yes	
Leap Year	Yes	Yes	Yes	Yes	Yes	Yes	Yes	Yes	Yes	
Individual Holiday Schedules	24	24	26				24			
Block Holiday			10	9	9	9				
Season Scheduling	4	4					4			
 SunSet (Astronomic)	Yes	Yes	Yes	Yes	Yes	Yes	Yes			
Photosensor Input			Yes	Yes	Yes	Yes	Yes			
Remote Override Input			Yes	Yes	Yes	Yes	Yes			
Signal/Pulse Duration	Yes		Yes					Yes	Yes	
Momentary for Contactors		Yes	Yes		Yes					
Duty Cycle			Yes					Yes	Yes	
31 Day Cycle								Yes		
Manual Override	Yes	Yes	Yes	Yes	Yes	Yes	Yes	Yes	Yes	Yes
Clock Format	12/24	12/24	12/24	12/24	12/24	12/24	12/24	12/24	12/24	AM/PM
Power Outage Backup	7 day Super Capacitor	7 day Super Capacitor	2 day Capacitor 1 year battery	7 day Super Capacitor	7 day Super Capacitor	7 day Super Capacitor	6 month battery	7 day Super Capacitor	7 day Super Capacitor	8 year battery
Schedule Retention without power	Permanent	Permanent	Battery	Permanent	Permanent	Permanent	Permanent	Permanent	Permanent	Battery
Staggered Start	Yes	Yes	Yes	Yes	Yes	Yes	Yes	Yes	Yes	
Memory Module	Yes	Yes					Yes			
Computer Programming Software	Yes	Yes					Yes			
Output Contacts: Amps Resistive or General Purpose	30A/20A	30A	20A	20A	20A	20A	30A	20A	20A	16A
Contact Type: Dry Unpowered	Yes	Yes	Yes	Yes	Yes	Yes	Yes	Yes	Yes	Yes
Voltage Input AC	120/208-240/277	120/208-240/277	24/120/208 240/277	120-277	120-277	120-277	120/208-240/277	120-277	120-277	120
Other Voltage Inputs Available	12VDC 24VAC		24VAC All Models					12VDC 24VAC	24VAC	

DT SERIES

AUTOMATIC VOLTAGE DETECTION 7 DAY TIME SWITCH AND WATER HEATER TIMER

**MORE
WIRING
SPACE!**

APPLICATIONS



DTU40

- Pumps, motors, fans
- Signs and lighting
- Water heaters
- Heating and air conditioning

DTWH40

- Water Heaters
- This timer turns OFF when rates are high and turns ON when no one is home.



DTU40

DTWH40



Avoid utility peak rates
Turn off when not needed

FEATURES

SCHEDULING: 7 ON & OFF pairs of set points for individual programs on each day of the week. Minimum setting is 1 minute.

DAYLIGHT SAVING: Manual button push for one hour adjustment.

MANUAL OVERRIDE: Until the next regularly scheduled ON or OFF, automatic operation then resumes.

EXTERNAL MANUAL OVERRIDE: DTWH40 only on clear door. Override without opening case.

RANDOM MODE: Varies ON and OFF times to create "lived-in" look when away.

CLOCK FORMAT: AM/PM.

POWER OUTAGE BACKUP: Battery retains time and schedule.

STANDARDS: Listed UL60370 (formerly UL917)

CAT. NO.	UPC CODE	TIMER SUPPLY (VAC) 50/60Hz	NO. OF CHANNELS	DRY CONTACTS (UNPOWERED)
DTU40	24004	120/208-240/277	1	DPDT
DTWH40	24005	120/240	1	DPDT

TYPE	VOLTAGE (VAC)	RATING	
		NO	NC
Resistive	120-277	40A	30A
Inductive	120-277	30A	15A
Ballast	120	30A	10A
	277	20A	10A
Tungsten	120	15A	
Motor	120	1HP/30FLA/90LRA	1/4HP/12FLA/30LRA
	240	2HP/20FLA/60LRA	1/2HP/12FLA/33LRA
Pilot duty	120	720VA	290VA
	240	720VA	260VA
Resistive	28VDC	20A	
Max above 104°F	120-277	30A	

SPECIFICATIONS

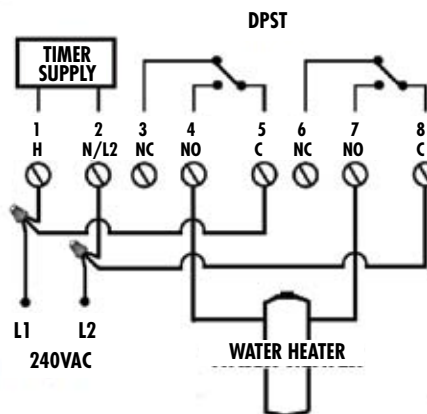
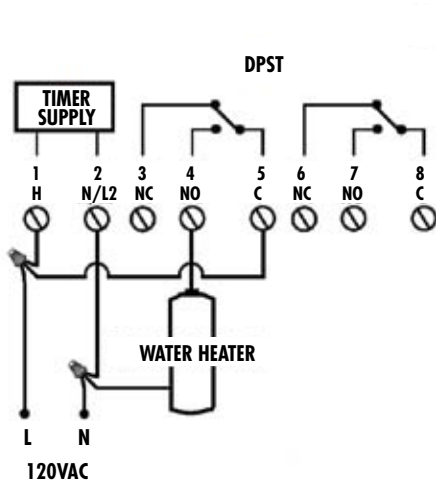
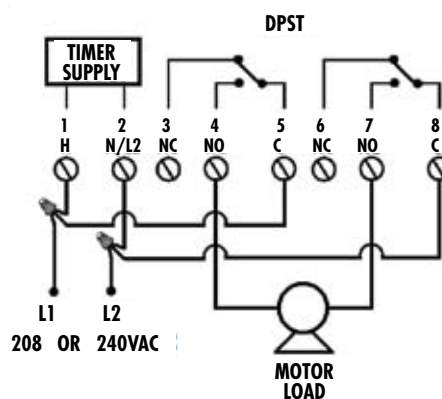
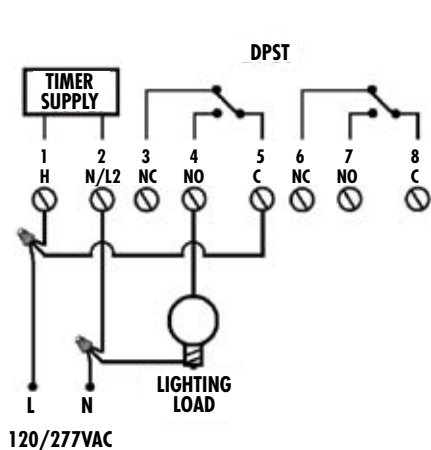
INPUT VOLTAGE: 120/208-240/277 VAC, 50/60 Hz (auto detection). DTWH40 is 120/240VAC 50/60Hz (auto detection).

TERMINAL RANGE: #8 - #18AWG.

OPERATING TEMPERATURE: -31 °F to 116 °F (-35 °C to +47 °C).

POWER CONSUMPTION: 6VA Max.

ENCLOSURE: DTU40 polycarbonate Indoor/Outdoor NEMA 3R. DTWH40 polycarbonate indoor NEMA 1 enclosure with clear cover. Both with lockable hasp (see pages 589-593 for enclosure dimensions).



EH20C

AUTOMATIC VOLTAGE DETECTION WATER HEATER TIMER WITH SUMMER LOAD SHED



Avoid utility peak rates
Turn off when not needed

**PRE-PROGRAMMED
FOR EASY
SET-UP**

APPLICATIONS



- Electric water heater timers for residential or commercial.

FEATURES

PRE-PROGRAMMED: Unit preset for daily OFF time from 12:00am to 4:00am daily.

SUMMER LOAD SHED: Additional OFF time from 3:00pm to 7:00pm during Summer time (6/1 to 9/30) annually to avoid peak usage.

SCHEDULING: Additional 14 ON or OFF set points for individual programs for each day of the week. Minimum setting 1 minute.

HOLIDAY SCHEDULE: Extend to the load shed date throughout the year or preset extra load shed schedules while on vacation.

MANUAL OVERRIDE: Until the next regularly scheduled ON or OFF. Override during pre-programmed times limited to 60 minutes per day.

DAYLIGHT SAVING: Automatic adjustment (can be omitted).

LEAP YEAR: Automatic Compensation.

CLOCK FORMAT: AM/PM.

POWER OUTAGE BACKUP: Lithium battery. Non-rechargeable with 8 year expected life.

STANDARDS: Listed UL917

CAT. NO.	UPC CODE	INPUT SUPPLY (VAC) 50-60Hz	OUTPUT CONTACTS
EH20C	82314	120-277	DPST

TYPE	VOLTAGE (VAC)	RATING
General Purpose	120-277	40A
Inductive	120-277	40A
Pilot duty	120-277	720VA
Motor	120	1 HP
	208	1 1/2 HP
	240-277	2 HP

SPECIFICATIONS

TIMING ACCURACY: Line Frequency.

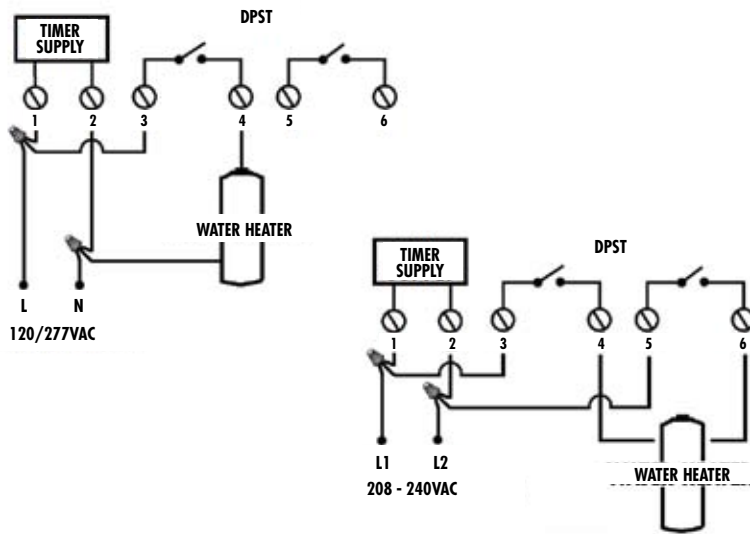
INPUT VOLTAGE: 120-277VAC, 50/60Hz
(automatic detection).

TERMINAL RANGE: #8 - #16AWG.

OPERATING TEMPERATURE:
-40 °F to +149 °F (-40 °C to +65 °C).

POWER CONSUMPTION: 6VA Max.

ENCLOSURE: Indoor/Outdoor NEMA 3R
Polycarbonate with locking hasp.
(see pages 589-593 for enclosure dimensions).



SA300 SERIES

Zip-Set™

DIGITAL TIME SWITCH



**AREA CODE
ENTRY
FOR FAST
SET-UP**

APPLICATIONS



- Outdoor lighting
- Electric motors
- Indoor lighting or signs

FEATURES

ZIP-SET: Fast and easy. Just enter area code and timer adjusts to your time with preset program of Sunset ON and time off program.

SCHEDULING: One On/Off set point pair is active at a time. Only one schedule may be active at a time: Schedule 1, Schedule 2, a combination of 1 & 2, or ZipSet™. Day combinations for 7-5-2 speed programming.

MANUAL DAYLIGHT SAVING:
Simple switch adjustment.

MANUAL OVERRIDE: Until the next regularly scheduled ON or OFF, automatic operation then resumes.

RANDOM FEATURE: Varies on time +/-90 minutes each day for lived in look.

CLOCK FORMAT: AM/PM.

POWER OUTAGE BACKUP:
Replaceable batteries

CAT. NO.	UPC CODE	INPUT SUPPLY (VAC) 60Hz	OUTPUT CONTACTS
SA300	16546	120	SPST
SA306	16549	120	DPST
SA400	16552	120/277	SPST

TYPE	VOLTAGE (VAC) 60Hz	RATING
Resistive	120*	40A
Inductive	120*	40A
Tungsten	120*	40A
Incandescent	120*	40A
Motor	120	1 1/2HP
*SA400	120/277	

SPECIFICATIONS

INPUT VOLTAGE: 120VAC, 60Hz
SA400 120/277VAC, 60Hz

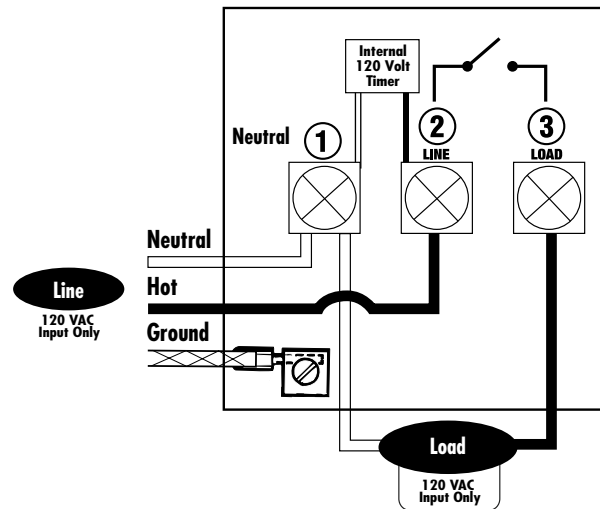
TERMINAL RANGE: #8 - #16AWG.

OPERATING TEMPERATURE:
32 °F to +100 °F (0 °C to +37 °C).

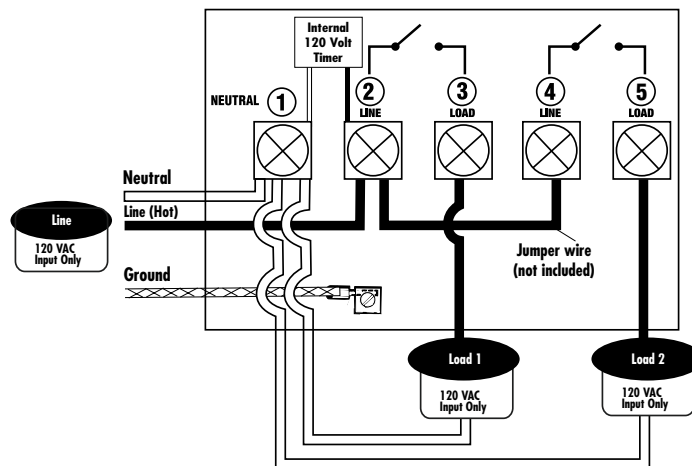
POWER CONSUMPTION: 5VA Max.

ENCLOSURE: Indoor Metal with locking hasp.
SA400 Outdoor Metal with locking hasp.
(see pages 589-593 for enclosure dimensions).

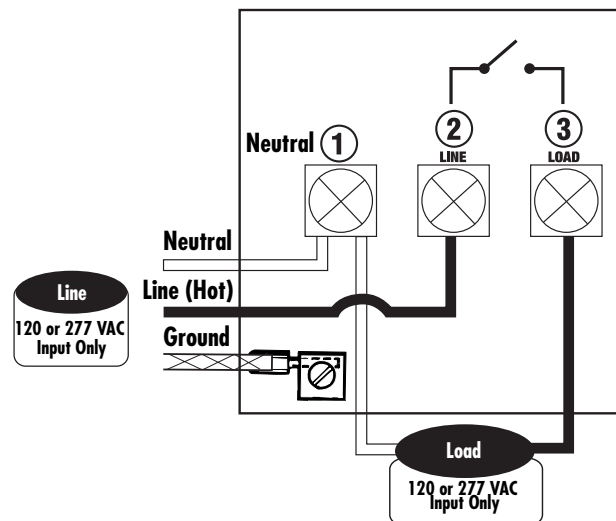
SA300



SA306



SA400



E & E-PB SERIES

MULTIPURPOSE CONTROLS

1 OR 2 CHANNEL

24 HOUR TIME SWITCH



**BACKUP
WITHOUT
BATTERY, ECO
FRIENDLY!**

APPLICATIONS



- Signs
- Air conditioning
- Lighting
- Sump pumps
- Ventilating fans

FEATURES

SCHEDULING: 20 ON/OFF set points repeat each day. Minimum setting 1 minute.

DAYLIGHT SAVING: Automatic adjustment (can be omitted).

LEAP YEAR: Automatic Compensation.

MANUAL OVERRIDE: Until the next regularly scheduled ON or OFF, automatic operation then resumes.

CLOCK FORMAT: AM/PM.

POWER OUTAGE BACKUP: Permanent schedule retention. Supercapacitor provides 4 days of real time backup.

MOMENTARY OPTION: For mechanically held contractors: Model E201B only. Configure with simple jumper change for single-channel momentary operation.

STANDARDS: Listed UL917

CAT. NO.	UPC CODE	INPUT SUPPLY (VAC) 50/60Hz	NO. OF CHANNELS	OUTPUT DRY CONTACTS
E101B	82401	120-277	1	SPST
E103B	82411	120-277	1	DPST
E120B	82406	120-277	1	SPDT
E201B	82466	120-277	2	SPST
E101PB	82461	120	1	SPST

TYPE	E101B, E103B, E201B		E120B		E101PB	
	VOLTAGE (VAC)	RATING NO	RATING NO	NC	VOLTAGE (VAC)	RATING NO
General Purpose	120-277	40A	30A	30A	120/240 277	30A 12A
Inductive	120-277	40A	30A	30A	120/240 277	30A 12A
Ballast	120	30A	30A	10A	120	20A
	208-277	20A	20A	10A	277	6A
Tungsten	120	15A	15A	2A	120	5A
Pilot Duty	120-277	720VA	720VA	720VA	120-240 277	470VA 690VA
	120	1HP	1HP	1HP	120	1HP
Motor	208	1 1/2HP	1 1/2HP	1 1/2HP	240	2HP
	240-277	2HP	2HP	2HP	-	-
Resistive	28VDC	30A	30A	30A	28VDC	20A

SPECIFICATIONS

TIMING ACCURACY: Line Frequency.

INPUT VOLTAGE:

E SERIES

120 - 277VAC, 50/60Hz (automatic detection).

E-PB

120VAC, 50/60Hz.

TERMINAL RANGE: #8 - #16AWG.

OPERATING TEMPERATURE:

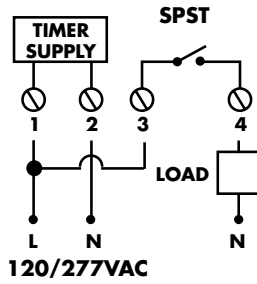
-40 °F to +149 °F (-40 °C to +65 °C).

POWER CONSUMPTION: 6VA Max.

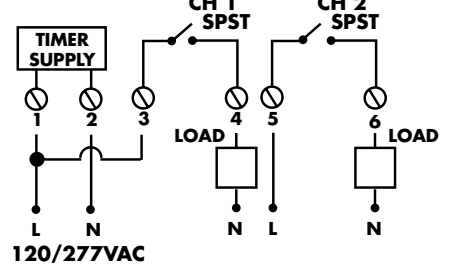
ENCLOSURE: Polycarbonate Indoor/Outdoor

NEMA 3R is standard with lockable hasp (see pages 589-593 for enclosure dimensions).

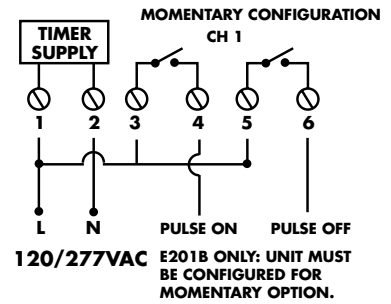
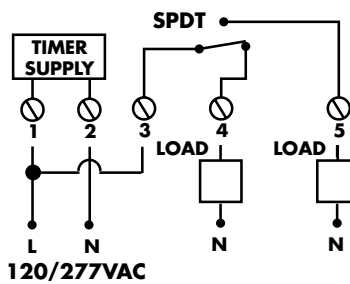
E101B



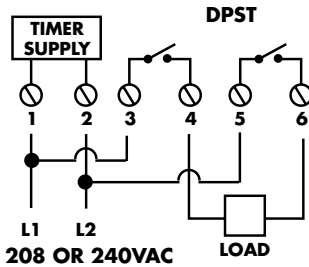
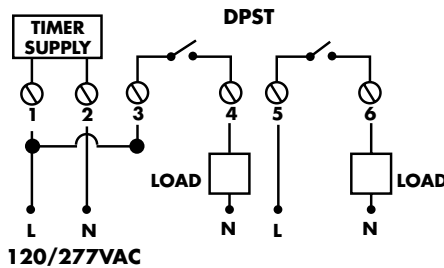
E201B



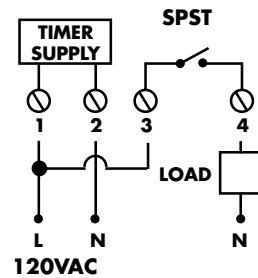
E120B



E103B



E101PB



EW SERIES

MULTIPURPOSE CONTROL

1 OR 2 CHANNEL

7 DAY TIME SWITCH



CALIFORNIA Title 24

ASHRAE 90.1

**AUTOMATIC DST
SAVES TIME
CHANGES
TWICE A YEAR!**

APPLICATIONS



- Outdoor signs
- Lighting security
- Heating and air conditioning

FEATURES

SCHEDULING: 20 ON & OFF set points for individual programs for each day of the week. Minimum setting is 1 minute.

DAYLIGHT SAVING:

Automatic (can be omitted).

LEAP YEAR: Automatic Compensation.

MANUAL OVERRIDE: Until the next regularly scheduled ON or OFF, automatic operation then resumes.

CLOCK FORMAT: AM/PM.

POWER OUTAGE BACKUP: Permanent schedule retention. Supercapacitor provides 4 days of real time backup.

MOMENTARY OPTION: For mechanically held contractors: Model EW201B only. Configure with simple jumper change for single-channel momentary operation.

STANDARDS: Listed UL917.

CAT. NO.	UPC CODE	INPUT SUPPLY (VAC) 50/60Hz	NO. OF CHANNELS	OUTPUT DRY CONTACTS
EW101B	82431	120-277	1	SPST
EW103B	82441	120-277	1	DPST
EW120B	82436	120-277	1	SPDT
EW201B	82467	120-277	2	SPST
EW101B-Y	82249	120-277	1	SPST
EW103B-C	82253	120-277	1	DPST
EW103B-Y	82255	120-277	1	DPST
EW120B-C	82437	120-277	1	SPDT
EW120B-Y	82261	120-277	1	SPDT
EW201B-Y	82299	120-277	2	SPST

TYPE	EW101B, EW103B, EW201B		EW120B		
	VOLTAGE (VAC)	RATING NO	VOLTAGE (VAC)	RATING NO	RATING NC
General Purpose	120-277	40A	120-277	30A	30A
Inductive	120-277	40A	120-277	30A	30A
	120	30A	120	30A	10A
Ballast	208-277	20A	208-277	20A	10A
	120	15A	120	15A	2A
Tungsten	120	15A	120	15A	2A
Pilot Duty	120-277	720VA	120-277	720VA	720VA
	120	1HP	120	1HP	1HP
Motor	208	1 1/2HP	208	1 1/2HP	1 1/2HP
	240-277	2HP	240-277	2HP	2HP
Resistive	28VDC	30A	28VDC	30A	30A

SPECIFICATIONS

TIMING ACCURACY: Line Frequency.

INPUT VOLTAGE:

120 - 277VAC, 50/60Hz (automatic detection).

TERMINAL RANGE: #8 - #16AWG.

OPERATING TEMPERATURE:

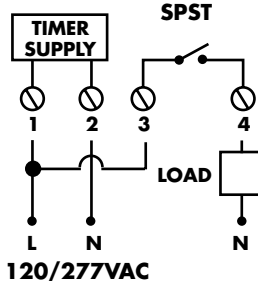
-40 °F to +149 °F (-40 °C to +65 °C).

POWER CONSUMPTION: 6VA Max.

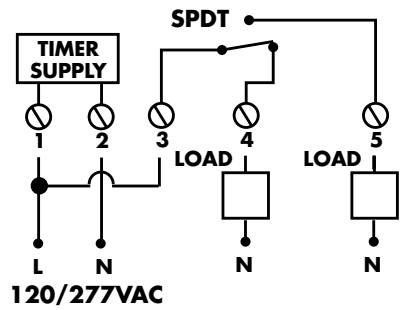
ENCLOSURE:

- Polycarbonate Indoor/Outdoor NEMA 3R.
- Suffix -C plastic clear cover Indoor/Outdoor NEMA 3R.
- Suffix -Y metal Indoor enclosure NEMA 1.
- All with lockable hasp (see pages 589-593 for enclosure dimensions).

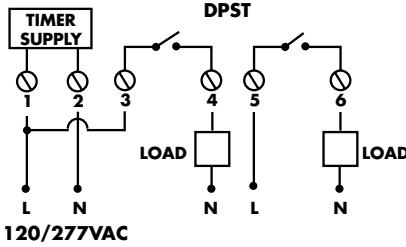
EW101B



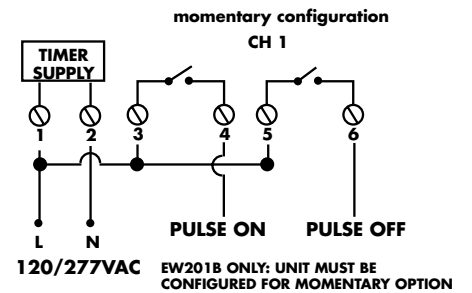
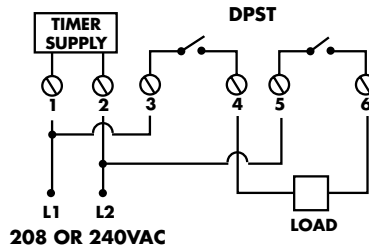
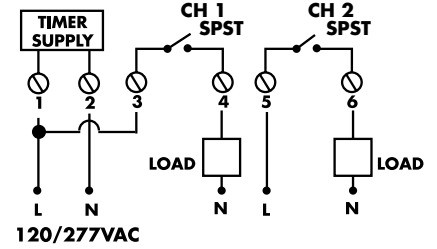
EW120B



EW103B



EW201B



EWZ SERIES

SunSet 1 OR 2 CHANNEL 7 DAY TIME SWITCH



CALIFORNIA Title 24

ASHRAE 90.1

**PREFERRED
FOR
OUTDOOR
LIGHTING!**

APPLICATIONS



- Outdoor signs
- Lighting security
- Heating and air conditioning

FEATURES

SCHEDULING: 20 ON & OFF set points for individual programs for each day of the week. Minimum setting is 1 minute.

SunSet ASTRONOMIC: Adjusts daily to changes in sunset times. Adjustable 10° - 60° Northern or Southern latitudes. Can be individually offset +/- 1-240 minutes from both sunset and sunrise times.

DAYLIGHT SAVING: Automatic (can be omitted).

LEAP YEAR: Automatic Compensation.

MANUAL OVERRIDE: Until the next regularly scheduled ON or OFF, automatic operation then resumes.

CLOCK FORMAT: AM/PM.

POWER OUTAGE BACKUP: Permanent schedule retention. Supercapacitor provides 4 days of real time backup.

MOMENTARY OPTION: For mechanically held contactors: Model EWZ201 only. Configure with simple jumper change for single-channel momentary operation.

STANDARDS: Listed UL917.

CAT. NO.	UPC CODE	INPUT SUPPLY (VAC) 50/60Hz	NO. OF CHANNELS	OUTPUT DRY CONTACTS
EWZ101	82470	120-277	1	SPST
EWZ103	82473	120-277	1	DPST
EWZ120	82471	120-277	1	SPDT
EWZ201	82472	120-277	2	SPST
EWZ101-MB	82263	120-277	1	SPST
EWZ103-MB	82269	120-277	1	DPST
EWZ120-MB	82275	120-277	1	SPDT
EWZ201-MB	82281	120-277	2	SPST

TYPE	EWZ101,EWZ103, EWZ201		EWZ120		
	VOLTAGE (VAC)	RATING NO	VOLTAGE (VAC)	RATING NO	RATING NC
General Purpose	120-277	40A	120-277	30A	30A
Inductive	120	30A	120	30A	10A
	208-277	20A	208-277	20A	10A
Tungsten	120	15A	120	15A	2A
Pilot Duty	120-277	720VA	120-277	720VA	720VA
	120	1HP	120	1HP	1HP
	208-277	2HP	240-277	2HP	2HP
Resistive	28VDC	30A	28VDC	30A	30A

SPECIFICATIONS

TIMING ACCURACY: Line Frequency.

INPUT VOLTAGE:

120 - 277VAC, 50/60Hz (automatic detection).

TERMINAL RANGE: #8 - #16AWG.

OPERATING TEMPERATURE:

-40 °F to +149 °F (-40 °C to +65 °C).

POWER CONSUMPTION: 6VA Max.

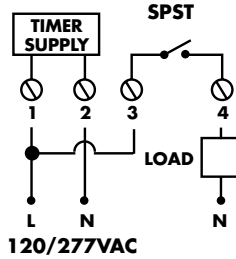
ENCLOSURE: Polycarbonate Indoor/Outdoor
NEMA 3R is standard with lockable hasp (see pages 589-593 for enclosure dimensions).

Suffix -MB without enclosure and includes mounting bracket.

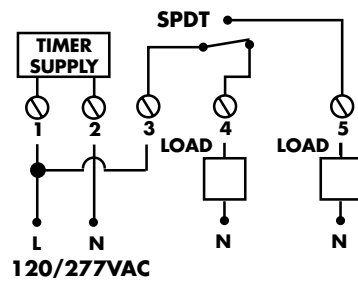
OPTIONS: Suffix -Q Quartz crystal timing.

Maintains accurate timing where 50 or 60 Hz is not consistent such as on-site generator produced power. Consult factory for minimum order size.

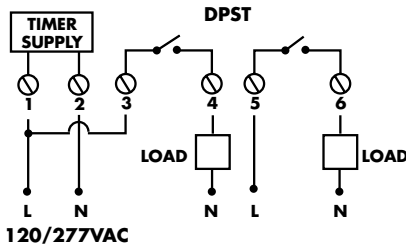
EWZ101



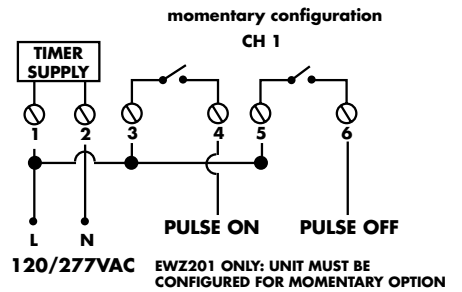
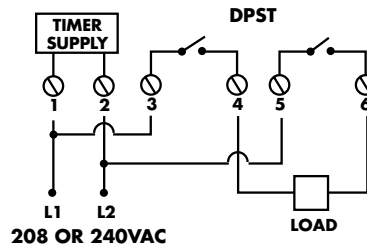
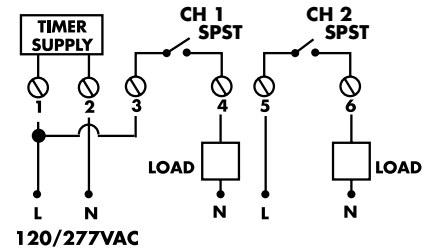
EWZ120



EWZ103



EWZ201



DG100 SERIES

MULTIPURPOSE CONTROLS

1 OR 2 CHANNEL

365/7 DAY

TIME SWITCH

**HOLIDAY
PROGRAMMING
FOR MORE
SAVINGS!**



CALIFORNIA Title 24

ASHRAE 90.1

APPLICATIONS



- Indoor/Outdoor lighting
- HVAC equipment
- School warning and other
- Traffic lights
- Water heaters in offices, churches and factories

FEATURES

SCHEDULING: 56 ON & OFF set points provide individual programs for each day of the week. Minimum setting is 1 minute.

MOMENTARY CONTACT: DGM100A has 2 second contact closures for ON & OFF control of mechanically held contactors or latching relays.

BLOCK HOLIDAY: 9 holiday blocks can be set for individual days or for duration of any number of days.

DAYLIGHT SAVING: Automatic adjustment (can be omitted).

LEAP YEAR: Automatic Compensation.

MANUAL OVERRIDE: Until the next regularly scheduled ON or OFF, automatic operation then resumes.

CLOCK FORMAT: AM/PM or 24 Hour format.

POWER OUTAGE BACKUP: Permanent schedule retention is provided. Supercapacitor provides 7 days of real time back up.

STANDARDS: Listed UL916.

CAT. NO.	UPC CODE	INPUT SUPPLY (VAC) 50/60Hz	NO. OF CHANNELS	OUTPUT CONTACTS
DG100A	82201	120-277	1	DPDT
DG200A	82209	120-277	2	SPDT
DGM100A	82210	120-277	1	SPDT Momentary
DG100A-Y	82221	120-277	1	DPDT
DGM100A-Y	82222	120-277	1	SPDT Momentary

TYPE	VOLTAGE (VAC)	RATING	
		NO	NC
Resistive	24-277	20A	10A
Ballast	120-277	20A	10A
Tungsten	120	15A	-
Pilot Duty	120	720VA	290VA
	240		360VA
Motor	120	1HP	1/4HP
	240	2HP	1/2HP
Resistive	28VDC	20A	10A

SPECIFICATIONS

TIMING ACCURACY: Line Frequency.

INPUT VOLTAGE:

120 - 277VAC, 50/60Hz (automatic detection).

TERMINAL RANGE: #12 - #18AWG.

OPERATING TEMPERATURE:

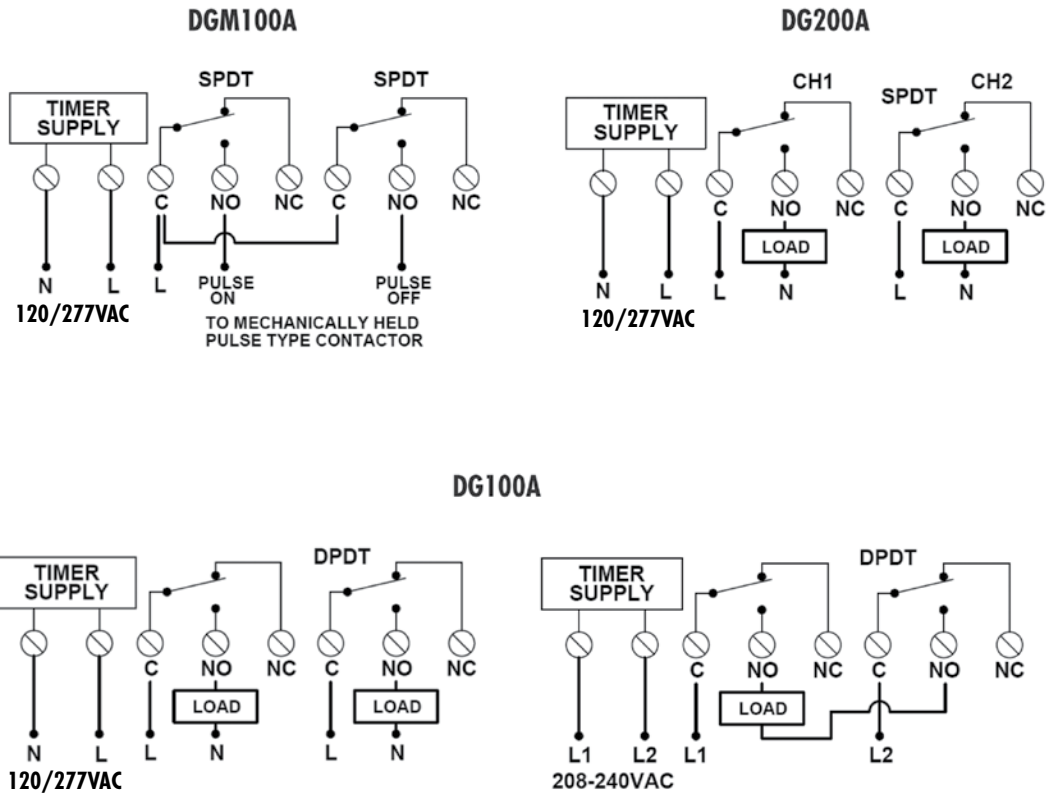
-31 °F to +131 °F (-35 °C to +55 °C).

POWER CONSUMPTION: 6VA Max.

ENCLOSURE: Noryl® Indoor/Outdoor NEMA 3R.

Suffix -Y metal indoor enclosure NEMA 1.

All with lockable hasp (see pages 589-593 for enclosure dimensions).



DW SERIES

MULTIPURPOSE CONTROLS

1 OR 2 CHANNEL

365 / 7 DAY ADVANCE

TIME SWITCHES



**SPECIFICATION
FAVORITE!**

APPLICATIONS



1 CHANNEL

- Outdoor lighting
- Security lighting
- Parking lot lighting
- Canopy lighting

2 CHANNEL

- HVAC equipment
- Interior lighting
- Electric motors
- Refrigerator defrost control: condensers, heaters.

FEATURES

SCHEDULING: 99 ON & OFF set points allow individual programs for each day of the week at a minimum 1 minute apart.

SunSet ASTRONOMIC (DWZ100B only): Adjusts daily to changes in sunset times. Adjustable 10°- 60° Northern or Southern latitudes. Can be individually offset +/- 1 to 240 minutes from both sunset and sunrise times.

HOLIDAYS: 1 to 24 individual dates.

DAYLIGHT SAVING: Automatic adjustment (can be omitted).

LEAP YEAR: Automatic Compensation scheduled ON or OFF, automatic operation then resumes.

MANUAL OVERRIDE: Until the next regularly scheduled ON or OFF, automatic operation then resumes.

CLOCK FORMAT: AM/PM or 24 Hour Format

POWER OUTAGE BACKUP: Permanent schedule retention. Supercapacitor provides 7 days of real time backup.

STANDARDS: Listed UL917.

CAT. NO.	UPC CODE	TIMER SUPPLY (VAC) 50/60Hz	NO. OF CHANNELS	DRY CONTACTS (UNPOWERED)
DWZ100B	82189	120/208-240/277	1	SPDT
DW200B	82190	120/208-240/277	2	SPDT

TYPE	VOLTAGE (VAC)	RATING	
		NO	NC
General Purpose	24-277	30A	30A
Ballast	120	30A	10A
	277	20A	10A
Tungsten	120-277	15A	2A
Pilot Duty	120-277	720VA	720VA
Motor Load	120	1HP	1HP
	208-277	2HP	2HP
Resistive	28VDC	30A	30A

SPECIFICATIONS

TIMING ACCURACY: Line Frequency.

INPUT VOLTAGE:

120/208-240-277VAC, 50/60Hz.

TERMINAL RANGE:

#14 - #16AWG for line input.

#12 - #16AWG load outputs.

OPERATING TEMPERATURE:

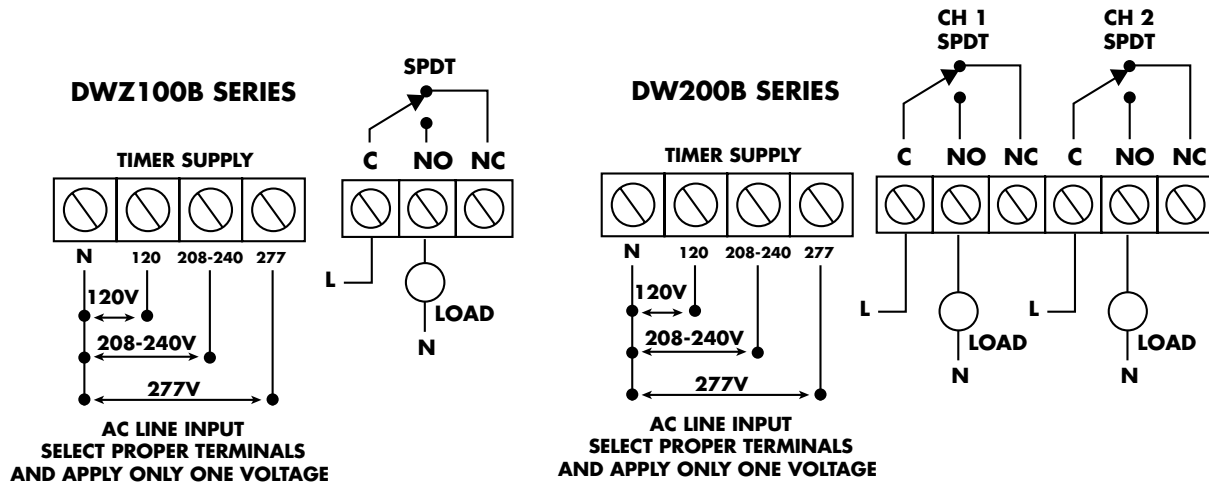
-40 °F to +158 °F (-40 °C to 70 °C).

POWER CONSUMPTION: 5VA Max.

ENCLOSURE: Noryl® Indoor/Outdoor NEMA 3R.

Suffix -0 metal Indoor/Outdoor NEMA 3.

All with lockable hasp (see pages 589-593 for enclosure dimensions).



DTS SERIES

MULTIPURPOSE CONTROLS

1, 2 OR 4 CHANNEL

365 / 7 DAY ADVANCE

TIME SWITCH

**MAINTAINED
AND
SIGNAL
TIMING!**



CALIFORNIA Title 24

ASHRAE 90.1

APPLICATIONS

- Indoor and outdoor lighting
- Heating and air conditioning
- Security systems
- Horns and bells
- Low voltage lighting
- Misting and spraying
- Roof cooling
- Clock correction systems
- Process functions

FEATURES

SCHEDULING: 99 ON/OFF set points allow individual programs for each day of the week at a minimum 1 minute apart.

SEASONS: 1 to 4 with different daily schedules which can wrap around into the new year.

HOLIDAYS: 1 to 24 individual dates.

SIGNAL/PULSE DURATION: 2 different settings per channel: each 1-99 seconds.

DAYLIGHT SAVING: Automatic adjustment (can be omitted).

LEAP YEAR: Automatic Compensation.

MANUAL OVERRIDE: Until the next regularly scheduled ON or OFF, automatic operation then resumes. In signal mode, activates pulse.

CLOCK FORMAT: AM/PM or 24 Hour Format.

POWER OUTAGE BACKUP: Permanent schedule retention. Supercapacitor provides 7 days of real time back up.

STANDARDS: Listed UL917

CAT. NO.	UPC CODE	TIMER SUPPLY (VAC) 50/60Hz	NO. OF CHANNELS	DRY CONTACTS (UNPOWERED)
DTS100B	82185	120/208-240/277	1	DPDT
DTS200B	82186	120/208-240/277	2	SPDT
DTS400B	82187	120/208-240/277	4	SPDT

TYPE	DTS100B, DTS200B		DTS400B	
	VOLTAGE (VAC)	RATING NO NC	VOLTAGE (VAC)	RATING NO NC
General Purpose	24-277	30A 30A	24-277	20A 20A
Ballast	120	30A 10A	120-277	13A -
	277	20A 10A		-
Tungsten	120-277	15A 2A	120	8A
Pilot Duty	120-277	720VA 720VA	120-277	720VA 360VA
Motor Load	120	1HP 1HP	120/240	1/2HP 1/2HP
	208-277	2HP 2HP		
Resistive	28VDC	30A 30A	-	-

SPECIFICATIONS

TIMING ACCURACY: Line Frequency.

INPUT VOLTAGE: 120/208-277VAC, 50/60Hz.

TERMINAL RANGE:

#14 - #16AWG for line input.

#12 - #16AWG load outputs.

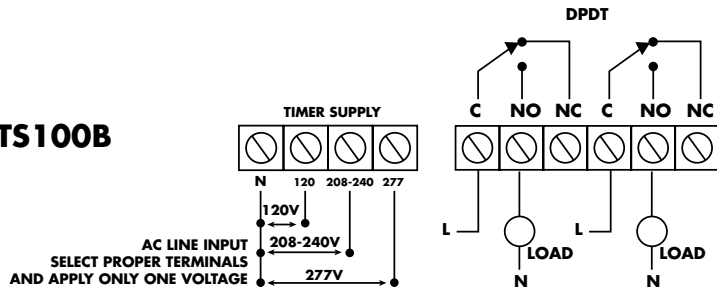
OPERATING TEMPERATURE:

-40 °F to +149 °F (-40 °C to +65 °C).

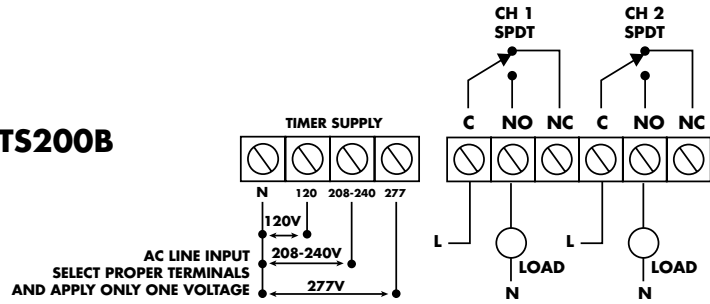
POWER CONSUMPTION: 6VA Max.

ENCLOSURE: Noryl® Indoor/Outdoor NEMA 3R with lockable hasp (see pages 589-593 for enclosure dimensions).

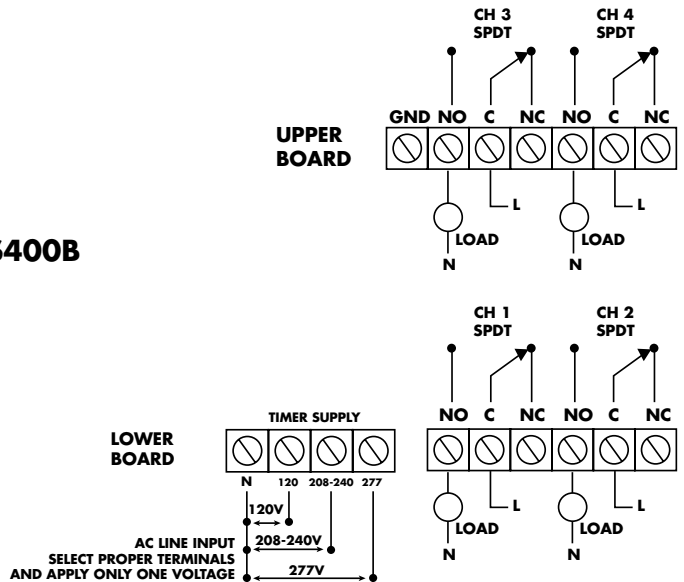
DTS100B



DTS200B



DTS400B



DZS SERIES

MULTIPURPOSE CONTROLS

1, 2 OR 4 CHANNEL

365 / 7 DAY ADVANCED

TIME SWITCH



**REMOVABLE
MEMORY
MODULE FOR
COMPUTER
PROGRAMMING!**

APPLICATIONS



CALIFORNIA Title 24

ASHRAE 90.1

- HVAC equipment
- Horns and bells
- Interior lighting
- Electric motors
- Outdoor lighting and signs



Memory Module
Programmer optional

FEATURES

SCHEDULING: 99 ON & OFF set points allow individual programs for each day of the week at a minimum 1 minute apart.

SunSet ASTRONOMIC: Adjusts daily to changes in sunset times. Adjustable 10° - 60° Northern or Southern latitudes can be individually offset +/- 1 to 240 minutes from both sunset and sunrise times.

SEASONS: 1 to 4 with different daily schedules which can wrap around into the new year.

HOLIDAYS: 1 to 24 individual dates.

SIGNAL/PULSE DURATION: 2 different settings per channel: 1-99 seconds.

DAYLIGHT SAVING: Automatic adjustment (can be omitted).

LEAP YEAR: Automatic Compensation.

MANUAL OVERRIDE: Until the next regularly scheduled ON or OFF, automatic operation then resumes. In signal mode, activates pulse.

CLOCK FORMAT: AM/PM or 24 Hour Format.

POWER OUTAGE BACKUP: Permanent schedule retention with memory module. Supercapacitor provides 7 days of real time backup.

MEMORY MODULE: Removable MM can be programmed at any one location and inserted into another DZS series unit.

COPY FEATURE: Unit can be configured to copy program schedule to multiple memory modules.

OPTION: Memory Module Programmer with software for computer connection programming. Also allows stand alone battery operation for portable copy feature.

STANDARDS: Listed UL917.

CAT NO.	UPC CODE	TIMER SUPPLY (VAC) 50/60Hz	NO. OF CHANNELS	DRY CONTACTS (UNPOWERED)
DZS100BP	82182	120/208-240/277	1	DPDT
DZS200BP	82183	120/208-240/277	2	SPDT
DZS400BP	82184	120/208-240/277	4	SPDT
DZS100BP-0	82215	120/208-240/277	1	DPDT
DZS200BP-0	82227	120/208-240/277	2	SPDT
DZS200BP-12	82228	12VDC	2	SPDT
DZS200BP-24	82229	24VAC	2	SPDT
DZS400BP-0	82230	120/208-240/277	4	SPDT
USB-MMP	82196		Memory Module Programmer	Includes software

TYPE	DZS100BP, DZS200BP			DZS400BP		
	VOLTAGE (VAC)	RATING NO	NC	VOLTAGE (VAC)	RATING NO	NC
General Purpose	24-277	30A	30A	24-277	20A	20A
Ballast	120	30A	10A	120-277	13A	-
	277	20A	10A			-
Tungsten	120-277	15A	2A	120	8A	-
Motor Load	120	1HP	1HP	120/240	1/2HP	1/2 HP
	208-277	2HP	2HP			
Pilot Duty	120-277	720VA	720VA	120-277	720VA	360VA
Resistive	28VDC	30A	30A	-	-	-

SPECIFICATIONS

TIMING ACCURACY: Line frequency.

INPUT VOLTAGE:

120/208-240/277VAC, 50/60Hz.

TERMINAL RANGE:

#14-#16AWG for line input.

#12-#16AWG load outputs.

OPERATING TEMPERATURE:

-40 °F to +158 °F (-40 °C to 70 °C).

POWER CONSUMPTION:

5VA Max: DZS100/200BP.

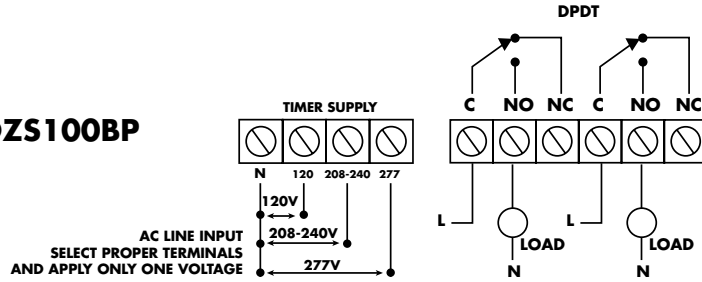
6VA Max: DZS400BP.

ENCLOSURE: Noryl® Indoor/Outdoor NEMA 3R.

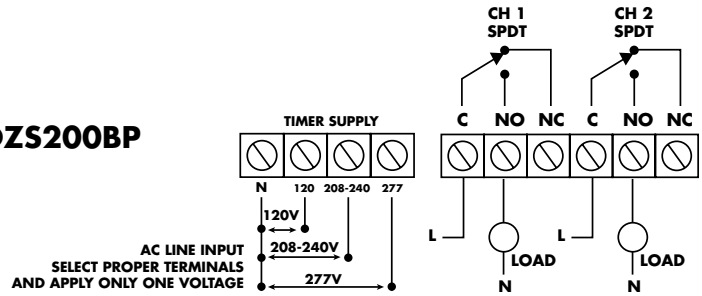
Suffix -0 metal Indoor/Outdoor NEMA 3.

All with lockable hasp (see pages 589-593 for enclosure dimensions).

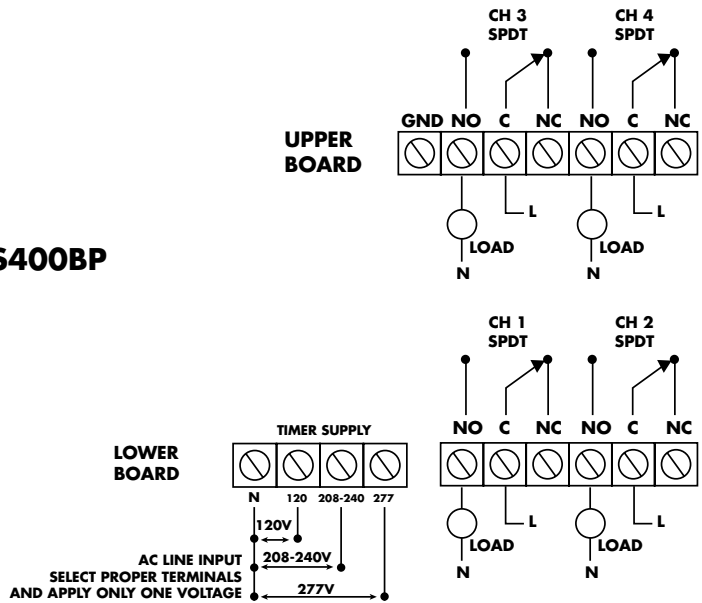
DZS100BP



DZS200BP



DZS400BP



DZM SERIES

MOMENTARY OUTPUT

365 / 7 DAY ADVANCED LIGHTING CONTROL TIME SWITCH



CALIFORNIA Title 24

ASHRAE 90.1

GREAT FOR LATCHING CONTACTORS!

APPLICATIONS



- Low voltage latching relays
- Direct wire to mechanically held contactors



Memory Module Programmer optional

FEATURES

SCHEDULING: 99 ON & OFF set points allow individual programs for each day of the week at a minimum 1 minute apart.

SunSet ASTRONOMIC: Adjusts daily to changes in sunset times. Adjustable 10° - 60° Northern or Southern latitudes can be individually offset +/- 1 to 240 minutes from both sunset and sunrise times.

SEASONS: 1 to 4 with different daily schedules which can wrap around into the new year.

HOLIDAYS: 1 to 24 individual dates.

DAYLIGHT SAVING: Automatic adjustment (can be omitted).

LEAP YEAR: Automatic Compensation.

MANUAL OVERRIDE: Until the next regularly scheduled ON or OFF, automatic operation then resumes.

CLOCK FORMAT: AM/PM or 24 Hour Format.

POWER OUTAGE BACKUP: Permanent scheduled retention with memory module. Supercapacitor provides 7 days of real time backup.

MEMORY MODULE: Removable MM can be programmed at any one location and inserted into another DZM series unit.

COPY FEATURE: Unit can be configured to copy program schedule to multiple memory modules.

OPTION: Memory Module Programmer with software for computer connection programming. Also allows stand alone battery operation for portable copy feature.

STANDARDS: Listed UL917.

CAT. NO.	UPC CODE	TIMER SUPPLY (VAC) 50/60Hz	NO. OF CHANNELS	DRY CONTACTS (UNPOWERED)
DZM200BP	82188	120/208-240/277	2	SPDT Momentary
USB-MMP	82196		Memory Module Programmer	Includes software

TYPE	VOLTAGE (VAC)	RATING
General Purpose	120-277	20A
Pilot Duty	120-277	720VA

SPECIFICATIONS

TIMING ACCURACY: Line frequency.

INPUT VOLTAGE:

120/208-240/277VAC, 50/60Hz.

TERMINAL RANGE:

#14 - #16AWG for line input.

#12 - #16AWG load outputs.

OPERATING TEMPERATURE:

-40 °F to 158 °F (-40 °C to +70 °C).

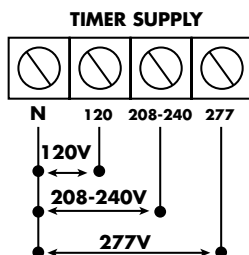
POWER CONSUMPTION: 4VA Max.

ENCLOSURE: Noryl® Indoor/Outdoor NEMA 3R.

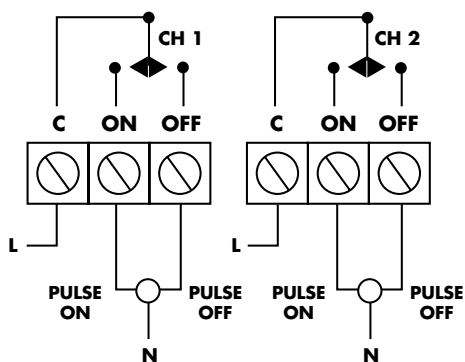
Suffix -0 metal Indoor/Outdoor NEMA 3.

All with lockable hasp (see pages 589-593 for enclosure dimensions).

AC LINE INPUT SELECT PROPER TERMINALS AND APPLY ONLY ONE VOLTAGE.



MECHANICALLY HELD CONTACTORS OR LATCHING RELAYS.



LC200 SERIES

LIGHT LEVEL / TIME OF DAY OPTION
2 ZONES LIGHTING CONTROL

STAGE
LIGHTING
TURN ON
LEVEL

APPLICATIONS



- 24 hour convenience stores
- Open wall parking structures
- Large canopies
- Building perimeters
- Atriums
- Use to control two different outdoor lighting circuits utilizing one photocell. Sign lighting can turn ON at one ambient light level while parking lot lighting turns ON at a different light level.



ASHRAE 90.1

EPC1 sensor
supplied with unit.

FEATURES

PHOTOSENSOR INPUT: EPC1 included.

DUAL OUTPUTS: with independent turn-ON adjustment for Stage1 and Stage 2.

LIGHT LEVEL ACTIVATION: Turn ON is user settable from 2 to 100 footcandle; Independent light level adjustment for each zone. Turn OFF is a maximum of 2 times turn ON level. Built-in delay OFF of 30 seconds to avoid reaction to lightning or headlights.

SWITCHED INPUT: Turns off loads. Can be used for photocell ON and time switch OFF operation.

STANDARDS: Listed UL916.

CAT. NO.	UPC CODE	INPUT SUPPLY (VAC) 50/60Hz	NO. OF ZONES	OUTPUT CONTACTS
LC200	82111	120/240/277	2	SPDT

TYPE	VOLTAGE (VAC)	RATING	
		NO	NC
Resistive	120/240	20A	10A
	277	12A	
Ballast	120	20A	10A
	240/277	6A	3A
Tungsten	120/240/277	5A	3A
Pilot Duty	120/240	470VA	275VA
	277	690VA	

SPECIFICATIONS

INPUT VOLTAGE:
120/240/277VAC, 50/60Hz.

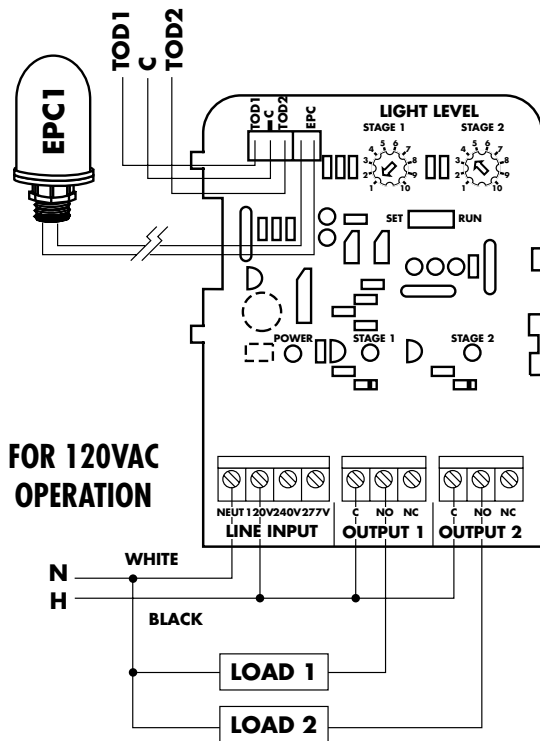
TERMINAL RANGE: Relay #12AWG; input power terminals #14 - #22AWG; TOD/sensor terminals accept #18 - #22AWG.

OPERATING TEMPERATURE:
-40 °F to +140 °F (-40 °C to + 60 °C).

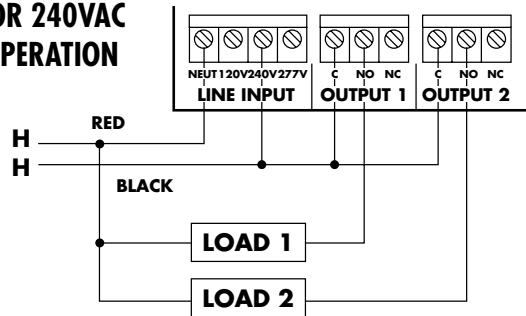
POWER CONSUMPTION: 5VA Maximum.

ENCLOSURE: LC200 includes metal Indoor NEMA 1 with lockable hasp (see pages 589-593 for enclosure dimensions).

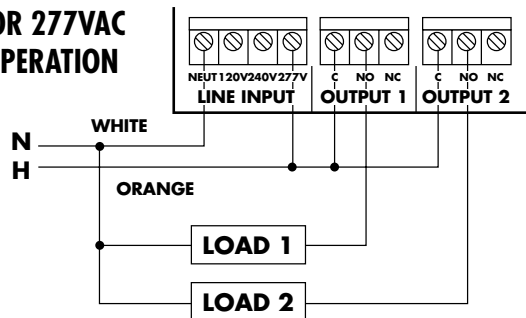
OTHER MOUNTINGS:
LC200M mechanism only.



FOR 240VAC OPERATION



FOR 277VAC OPERATION



DGU & DGLC SERIES

LIGHTING CONTROL WITH PHOTO OR OVERRIDE INPUT
7 DAY LIGHTING CONTROL TIME SWITCH



SMALL BUSINESS ENERGY CODE PANEL

APPLICATIONS



CALIFORNIA Title 24

ASHRAE 90.1

INTERIOR LIGHTING

- Open office zoning
- Hallways
- Meeting and sales areas
- Stock rooms and warehouses

EXTERIOR LIGHTING

- Signage and store windows
- Security
- Parking lots



Model EPC-A supplied with DGLC-A unit.



With optional Timed Override

CAT. NO.	UPC CODE	INPUT SUPPLY (VAC) 50/60 Hz	NO. OF CHANNELS	OUTPUT CONTACTS
DGU100A-Y	82211	120-277	1	DPDT
DGUM100A	82212	120-277	1	SPDT Momentary
DGUM100A-Y	82224	120-277	1	SPDT Momentary
DGLC100A-NC	82223	120-277	1	DPDT
DGLC200A-NC	82213	120-277	2	SPDT
EPC-A	82112	Accessory Photo Sensor	-	-
SS410	14033	24VAC/24VDC	-	SPDT
TRP-24B	98225	120/277	Transformer Power Pack	SPST

FEATURES

SCHEDULING: 56 ON & OFF set points provide individual programs for each day of the week. Minimum setting is 1 minute.

SunSet ASTRONOMIC: Adjusts daily to changes in sunset times. Adjustable 10° - 60° Northern or Southern latitudes. Can be individually offset +/- 1-240 minutes from both sunset and sunrise times.

PHOTOSENSOR INPUT: Unique push button set-up assures accurate operation with automatic calibration that adjusts for wire size and distance. EPC-A photo sensor is included with the DGLC-A and may be ordered as an option for use with model DGU100A & DGUM100A.

LIGHT LEVEL ACTIVATION: Turn ON is user settable from 1 to 100 footcandle; Turn OFF is a maximum of 2 times turn ON level. Each channel has an independent setting. Includes a user settable delay before ON and OFF between 1 – 90 seconds.

REMOTE OVERRIDE ON: Each channel has independent input for a maintained dry-contact closure. May use TORK model SS410 and TRP-24B for timed override. May use with occupancy sensor with dry contacts as override.

MANUAL OVERRIDE: Until the next regularly scheduled ON or OFF, automatic operation then resumes.

MOMENTARY CONTACT - DGUM100A: 2 second contact closure ON & OFF to control mechanically held contactors or latching relays.

BLOCK HOLIDAY: 9 holiday blocks can be set for individual days or for duration of any number of days.

DAYLIGHT SAVING: Automatic adjustment (can be omitted).

LEAP YEAR: Automatic Compensation.

CLOCK FORMAT: AM/PM or 24 Hour format.

POWER OUTAGE BACKUP: Permanent schedule retention. Supercapacitor provides 7 days of real time backup.

STANDARDS: Listed UL916.

TORK DIGITAL TIME SWITCHES

SPECIFICATIONS

TIMING ACCURACY: Line frequency.

INPUT VOLTAGE: 120-277VAC, 50/60Hz (auto detection).

TERMINAL RANGE:

#12 - #18AWG for line/load.

#18 - #26AWG sensor/switch input.

OPERATING TEMPERATURE:

-31 °F to +131 °F (-35 °C to + 55 °C).

POWER CONSUMPTION: 6VA Maximum.

ENCLOSURE: Noryl® Indoor/Outdoor NEMA 3R.

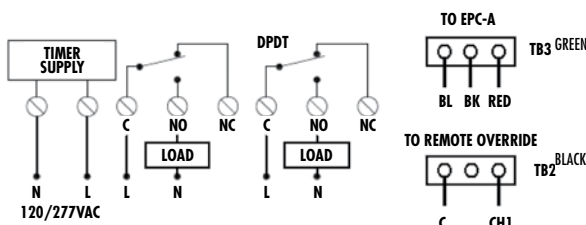
Suffix -NC Noryl® Indoor/Outdoor NEMA 3R with clear Lexan® cover.

Suffix -Y metal Indoor enclosure NEMA 1.

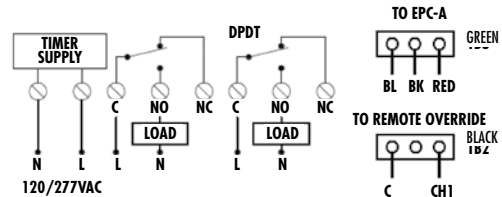
All with lockable hasp (see pages 589-593 for enclosure dimensions).

TYPE	VOLTAGE (VAC)	RATING	
		NO	NC
Resistive	24-277	20A	10A
Ballast	120-277	20A	10A
Tungsten	120	15A	-
Pilot Duty	120	720VA	290VA
	240		360VA
Motor	120	1HP	1/4HP
	240	2HP	1/2HP
Resistive	28VDC	20A	10A

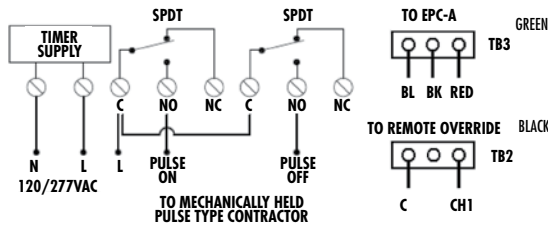
DGU100A



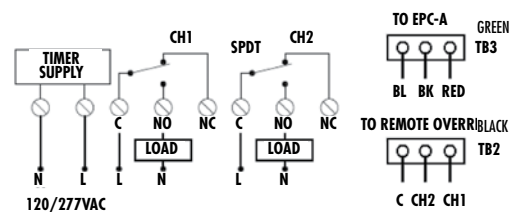
DGLC100A



DGUM100A



DGLC200A



ELC SERIES

ENERGY AND LIGHTING CONTROL

4, 8 & 12 ZONE

LIGHTING CONTROL



CALIFORNIA Title 24

ASHRAE 90.1

EPC-LC

LCS115M



APPLICATIONS

- HVAC equipment
- Indoor/Outdoor lighting
- Meets indoor/outdoor lighting energy code requirements

THE
DO-IT-ALL
ENERGY
& LIGHTING
CONTROLLER

CAT. NO.	UPC CODE	TIMER SUPPLY (VAC) 50/60Hz	NO. OF CHANNELS	OUTPUT CONTACTS
ELC74	82523	24/120/208-240/277	4	SPDT
ELC78	82524	24/120/208-240/277	8	SPDT
ELC712	82525	24/120/208-240/277	12	SPDT
EPC-LC	82233	Accessory Photo Sensor	-	-
LCS115M	82082	Accessory Momentary Switch	-	SPST

FEATURES

SCHEDULING: 128 time based events allow individual programs for each day of the week at a minimum 1 minute apart. Event types include ON, OFF, Duration, or Duty Cycle.

SENSOR EVENT: 32 sensor driven events allow individual programs for each day of the week.

SunSet ASTRONOMIC: Adjusts daily to changes in sunset times. Adjustable 10° - 70° Northern or Southern latitudes. Settings can be offset from both sunset and sunrise times.

UNIVERSAL INPUT: 8 inputs may be assigned to any channel. ELC74 includes 4.

SWITCHED INPUT: Accepts input from optional momentary or maintained switch for a timed override.

PHOTOSENSOR INPUT: Accepts input from optional sensor. EPC-LC (indoor/outdoor) has a range from 0 - 250 foot-candels.

MOMENTARY CONTACT: May be configured for momentary ON/OFF operation to control latching contactors. The ELC74 operates as a two channel unit. The ELC78 operates as a four channel unit. The ELC712 operates as a six channel unit.

HOLIDAYS: 26 holidays may be set using 10 individual dates, 10 month type (last Monday in May), or 6 specific holidays with one of 3 independent holiday schedules.

BLOCK HOLIDAY: 10 holiday blocks can be set for individual days or for duration of any number of days and may use one of 3 holiday schedules.

PULSE/TIME DURATION: 4 different ON settings from 1 second to 23 hours, 59 minutes, 59 seconds.

DUTY CYCLE: 4 different ON and OFF patterns from 1 second to 23 hours, 59 minutes, 59 seconds.

DAYLIGHT SAVING: Automatic adjustment (can be omitted).

LEAP YEAR: Automatic Compensation.

REMOTE OVERRIDE: Universal input may be programmed for timed override from a momentary or maintained dry contact switch.

MANUAL OVERRIDE: Keyboard button control until the next regularly scheduled ON or OFF, automatic operation then resumes.

STAGGERED START: Optional stagger up time between channels, after a power outage; selectable from 5 seconds, 15 seconds, 30 seconds, 1 minute, 5 minutes, 10 minutes, and 15 minutes.

CLOCK FORMAT: AM/PM or 24 hour format.

POWER OUTAGE BACKUP: The program and time of day are maintained for a minimum of 2 days by means of a capacitor. After two days, a lithium battery takes over and provides a minimum accumulated time of 1 year. The lithium battery should provide over 10 years of protection.

STANDARDS: Listed UL916.

SPECIFICATIONS

TIMING ACCURACY: Line frequency.

INPUT VOLTAGE:

24/120/208-240/277VAC, 50/60Hz.

TERMINAL RANGE:

#10 - #16AWG for line input.

#10 - #16AWG for load output.

#14 - #22AWG universal input.

OPERATING TEMPERATURE:

-20 °F to +140 °F (-29 °C to + 60 °C).

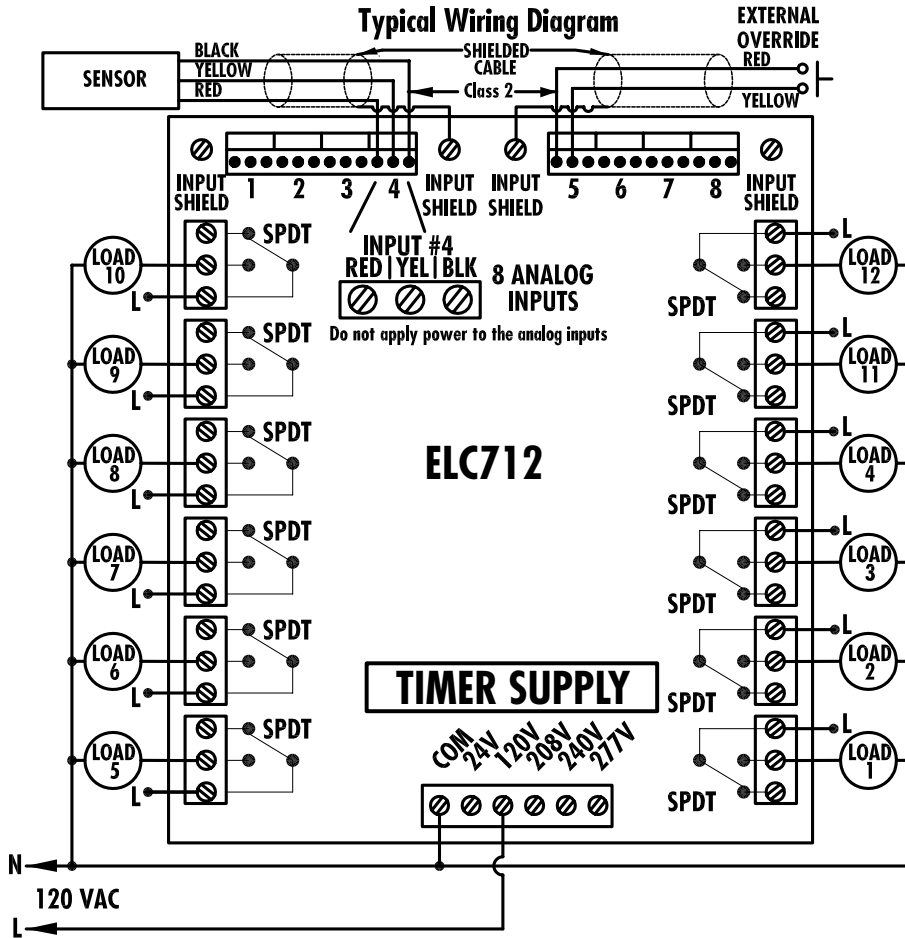
POWER CONSUMPTION: 10VA Maximum.

ENCLOSURE: Metal Indoor NEMA 1 with

lockable hasp (see pages 589-593 for

enclosure dimensions).

TYPE	VOLTAGE (VAC)	RATING	
		NO	NC
General Purpose	24/120 - 277	20A	15A
Ballast	120-277	20A	20A
Tungsten	120-277	5A	-
Pilot Duty	120-240	470VA	275VA
Motor	120	1HP	1/4HP
	208-277	2HP	1/2HP



DLC400BP

4 ZONE LIGHTING CONTROL TIME SWITCH

**FLEXIBLE
INDOOR &
OUTDOOR
LIGHTING
CONTROLLER**



CALIFORNIA Title 24

ASHRAE 90.1



Model EPC2
supplied with unit.



Memory Module
Programmer optional



With optional
Timed Override

APPLICATIONS

INTERIOR LIGHTING

- Open office zoning
- Hallways
- Meeting and sales areas
- Stock rooms and warehouses

EXTERIOR LIGHTING

- Signage and store windows
- Security
- Parking lots

CAT. NO.	UPC CODE	INPUT SUPPLY (VAC) 50/60 Hz	NO. OF CHANNELS	OUTPUT CONTACTS
DLC400BP	82191	120/208-240/277	4	SPDT
USB-MMP	82196	Memory Module Programmer	Includes Software	
SS410	14033	24VAC/24VDC	-	SPDT

FEATURES

CONFIGURABLE ZONES: Simple three position slide switch sets logic for each zone: Time ON/Time OFF, Photo ON/Photo OFF, or Photo ON/ Time OFF.

SCHEDULING: 99 ON & OFF set points allow individual programs for each day of the week. Minimum 1 minute apart.

SunSet ASTRONOMIC: Adjusts daily to changes in sunset times. **1.** Adjustable 10° - 60° Northern or Southern latitudes. **2.** Can be individually offset +/-1-240 minutes from both sunset and sunrise times.

PHOTOSENSOR INPUT: EPC2 photo sensor included.

LIGHT LEVEL ACTIVATION: Turn ON and OFF level is user settable from 1 to 100 footcandle. Each channel has an independent setting.

REMOTE OVERRIDE: Maintained dry contact closure or use TORK Model SS410 for timed override with flash warning before OFF. May use with occupancy sensor as override.

MANUAL OVERRIDE: Until the next regularly scheduled ON or OFF, automatic operation then resumes.

SEASONS: 1 to 4 with different daily schedules which can wrap around into the new year.

HOLIDAYS: 1 to 24 individual dates.

DAYLIGHT SAVING: Automatic adjustment (can be omitted).

LEAP YEAR: Automatic Compensation.

POWER OUTAGE BACKUP: Permanent schedule retention with memory module. Battery provides real time backup for 6 months cumulative.

MEMORY MODULE: Removable MM can be programmed at any one location and inserted into another DZS series unit.

OPTION: Memory Module Programmer with software for computer connection programming. Also allows stand alone battery operation for portable copy feature.

STANDARDS: Listed UL916.

SPECIFICATIONS

TIMING ACCURACY: Line frequency.

INPUT VOLTAGE:

120/208 - 240/277VAC, 50/60Hz.

TERMINAL RANGE: #10 - #14AWG.

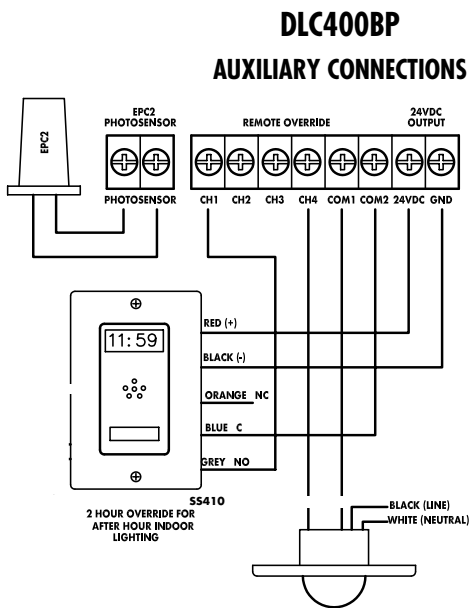
OPERATING TEMPERATURE:

-40 °F to +158 °F (-40 °C to + 55 °C).

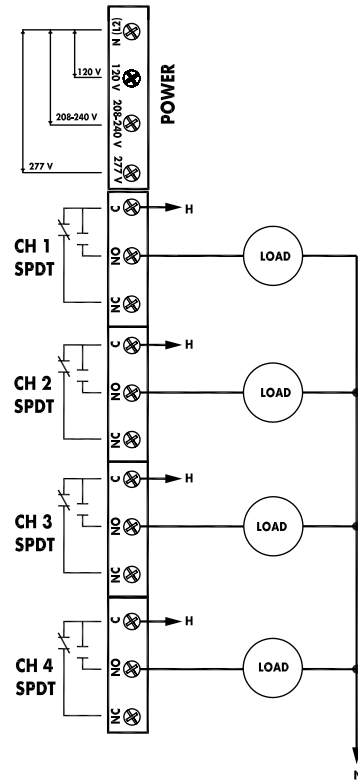
POWER CONSUMPTION: 30VA Maximum.

ENCLOSURE: Metal Indoor/Outdoor NEMA 3 with lockable hasp (see pages 589-593 for enclosure dimensions).

TYPE	VOLTAGE (VAC)	RATING	
		NO	NC
General Purpose	24-277, 30VDC	30A	30A
Ballast	120-277	20A	10A
Tungsten	120	10A	
Pilot Duty	120-277	720VA	720VA



TORK DIGITAL CONTROL TERMINAL BLOCK



LD SERIES

EXTENDED LIGHTING CONTROL LIGHTING DELAY TIME SWITCH



ASHRAE 90.1

ADD A
WARNING
BLINK TO ANY
CONTROL

APPLICATIONS



- Open offices
- Gymnasiums
- Warehouses
- Outdoor recreation courts
- User-activated lights with time limits
- Match with photocontrol and timer to limit hours of use

FEATURES

MAINTAINED INPUT WITH LOAD WARNING BLINK: LDS Series controls output load contacts based on power applied to the time switch input contact. At removal of power from the time switch input, LDS Series provides 1 second blink then keeps load contacts closed for an extra 1 or 5 minutes (user selectable) before turn off.

MAINTAINED INPUT WITH AUXILIARY WARNING: LDSH Series controls output load contacts based on power applied to the time switch input contact. At removal of power from the time switch input, LDSH Series closes a second set of contacts for a user supplied audible or visual warning device. The warning circuit closes for a selected time of 4 seconds (best for audible device or continuous, then keeps load contacts closed for an extra 1 or 5 minutes (user selectable) before turn OFF.

MOMENTARY INPUT: Provides timed override when time switch input contact is unpowered (timer OFF). When activated during the warning period, load contacts are kept closed and timing starts. Both series can accept momentary input contact closure for ON to start the timing and OFF to end the timing.

TIMED OVERRIDE SETTINGS: User may select override times of 1/2, 1, 1½, 2, 6, 9, or 12 hours. Warning before OFF is always active after override time.

STANDARDS: Listed UL917.

SPECIFICATIONS

INPUT VOLTAGE:
120/208/240/277VAC, 50/60Hz.

TERMINAL RANGE: #10 - #16AWG for line/load. #18 - #26AWG switch input.

OPERATING TEMPERATURE:
-22 °F to 150 °F (-30 °C to +65 °C).

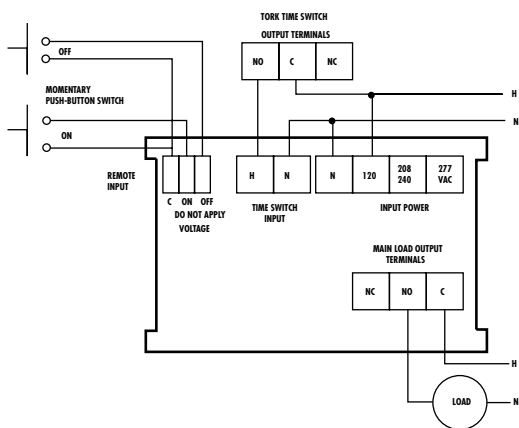
POWER CONSUMPTION:
5VA Maximum.

ENCLOSURE: Metal Indoor NEMA 1 with lockable hasp (see pages 589-593 for enclosure dimensions).

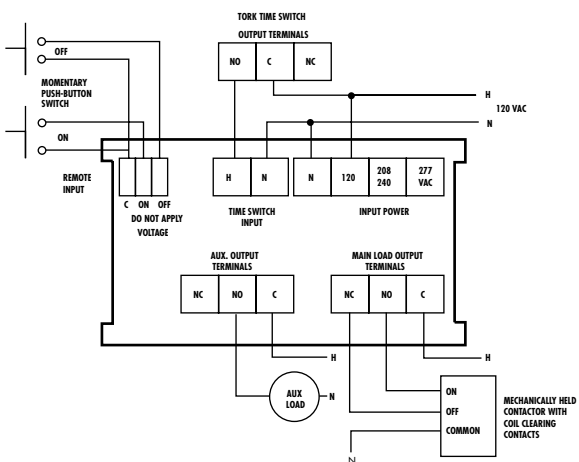
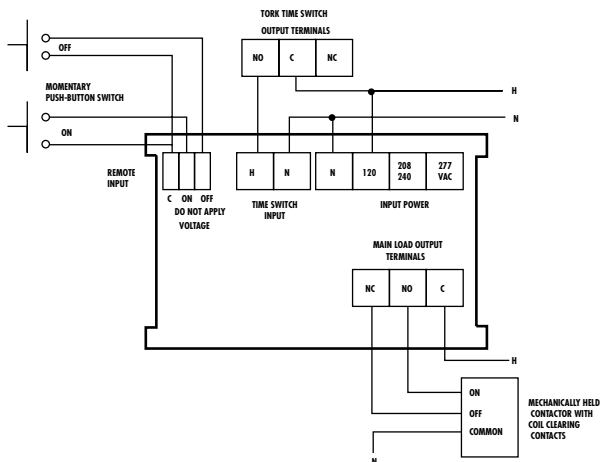
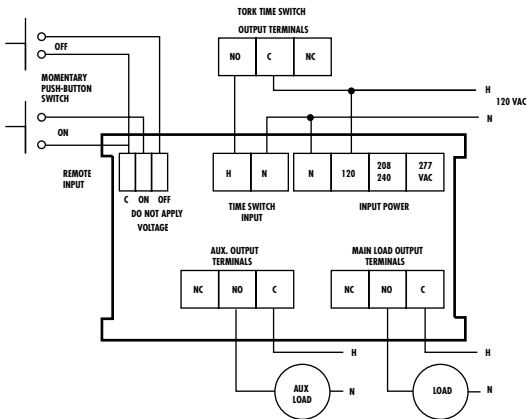
CAT. NO.	UPC CODE	INPUT SUPPLY (VAC) 50/60 Hz	OUTPUT CONTACTS	ENCLOSURE TYPE
LDS-A	81026	120/208-240/277	SPDT	Metal Indoor NEMA 1
LDS	81025	120/208-240/277	SPDT	Mechanism
LDSH-A	81031	120/208-240/277	SPDT	Metal Indoor NEMA 1

TYPE	VOLTAGE (VAC)	RATING	
		NO	NC
General Purpose	24/240 277	20A	10A
		20A	3A
Ballast	120 208-277	20A	10A
		10A	3A
Tungsten	120-277	5A	3A
Pilot Duty	120-240 277	470VA	275VA
		690VA	
Resistive	28VDC	20A	10A

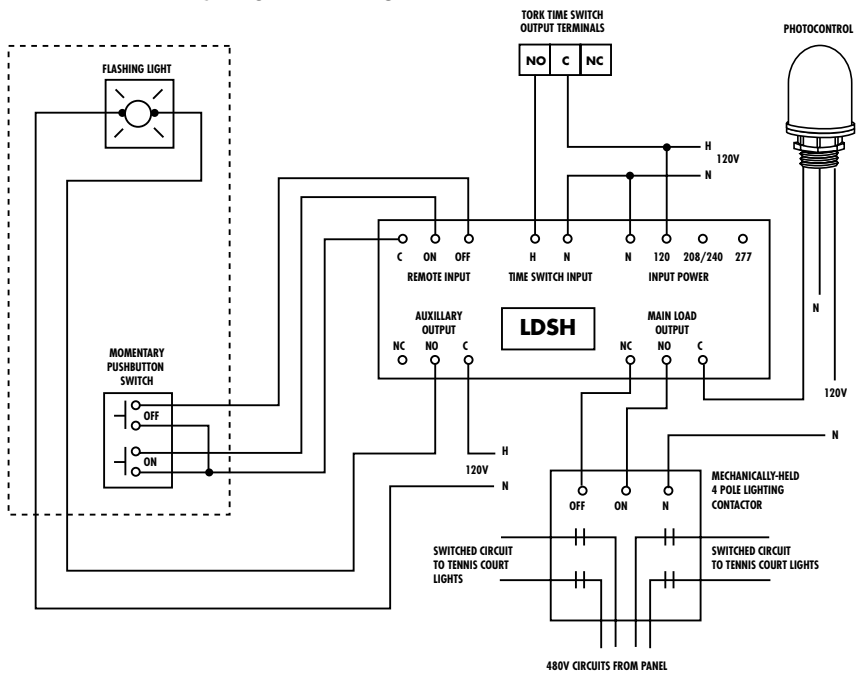
LDS WIRING



LDSH WIRING



APPLICATION WIRING



DGS SERIES

SIGNALING AND DUTY CYCLE

24 HOUR OR 7 DAY

TIME SWITCH



**31 DAY
CYCLE TIME:
AN INDUSTRY
FIRST!**

APPLICATIONS



- Signaling
- Duty cycle

FEATURES

DG180A & DG280A: 56 ON & OFF set points provide daily repeated programs. Minimum setting is 1 minute.

DGS100A: 56 ON & OFF set points provide individual programs for each day of the week. Minimum setting is 1 minute.

DUTY CYCLE & SIGNALING: Two different ON/OFF patterns or signal durations may be programmed. The durations can be up to 23 hours, 59 minutes and 59 seconds in length.

SKIP FUNCTION (24 HOUR UNITS ONLY): Each channel can be set for ACTIVE/SKIP operations that alternate from 1 - 31 days. This becomes an effective way to cycle loads on varying days within the month. Using the two-circuit DG280A, two loads can be set to operate on alternate days in a simple manner.

DAYLIGHT SAVING: Automatic adjustment (can be omitted).

LEAP YEAR: Automatic Compensation.

MANUAL OVERRIDE: Until the next regularly scheduled ON or OFF, automatic operation then resumes.

CLOCK FORMAT: AM/PM or 24 hour.

POWER OUTAGE BACKUP: Permanent schedule retention. Supercapacitor provides 7 days of real time backup.

STANDARDS: Listed UL916

CAT. NO.	UPC CODE	INPUT SUPPLY (VAC) 50/60 Hz	NO. OF CHANNELS	OUTPUT CONTACTS
24 HOUR MODELS				
DG180A	82206	120-277	1	DPDT
DG280A	82207	120-277	2	SPDT
DG280A-24	82220	24VAC	2	SPDT
7 DAY MODELS				
DGS100A	82205	120-277	1	DPDT
DGS100A-12	82218	12VDC	1	DPDT
DGS100A-24	82219	24VAC	1	DPDT

SPECIFICATIONS

TIMING ACCURACY: Line frequency.

INPUT VOLTAGE:

120 - 277 VAC, 50/60 Hz (auto detection).

TERMINAL RANGE: #12 - #18AWG.

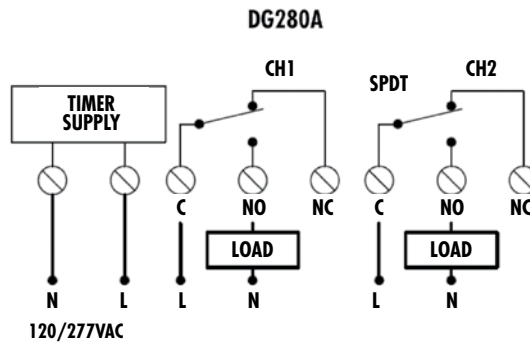
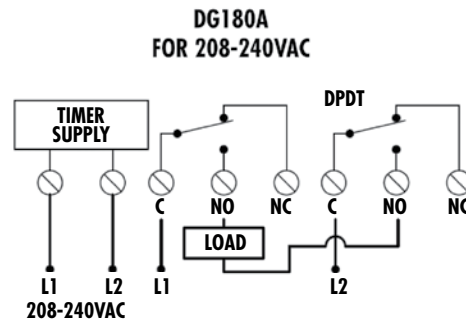
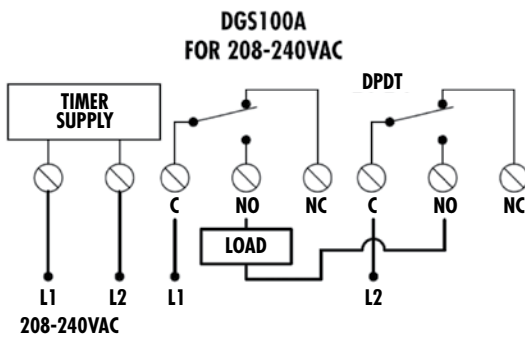
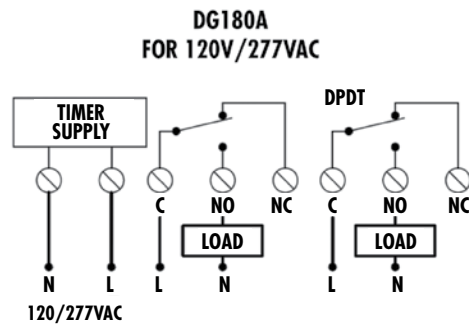
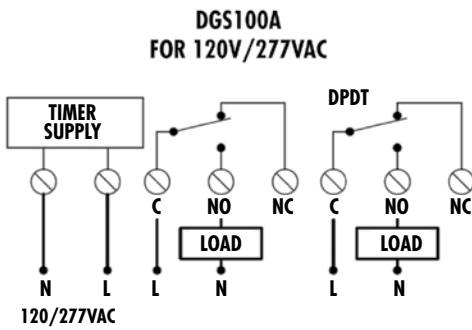
OPERATING TEMPERATURE:

-31 °F to +131 °F (-35 °C to + 55 °C).

POWER CONSUMPTION: 6VA Maximum.

ENCLOSURE: Noryl® Indoor/Outdoor NEMA 3R with lockable hasp (see pages 589-593 for enclosure dimensions).

TYPE	VOLTAGE (VAC)	RATING	
		NO	NC
Resistive	24-277	20A	10A
Ballast	120-277	20A	10A
Tungsten	120	15 A	-
Pilot Duty	120	720VA	290VA
	240		360VA
Motor	120	1HP	1/4HP
	240	2HP	1/2HP
Resistive	28VDC	20A	10A



EJWT & E500T SERIES

DELAY, INTERVAL &
PERCENTAGE TIME CYCLE
TIME SWITCHES

PERFECT FOR
PROCESS
CONTROL

APPLICATIONS



- Poultry and livestock
- Agriculture or greenhouse
- Oil well pumping
- Ventilation
- Process control



FEATURES

EJWT – PERCENTAGE TIMER

960 time combinations with two dials.
Cycle Time Dial sets 32 repeating cycles from 15 seconds to 24 hours.
Percentage ON Dial has 32 steps from 0% to 100%.
Repeats cycle as long as power is applied.

E500T – ON DELAY TIMER

Dial sets 30 time delay durations from 5 seconds to 3 hours.
External switch activated starts delay to ON.
Runs until external switch turns OFF.

E501T – AUTO OFF INTERVAL TIMER

Dial sets 30 time durations from 10 seconds to 12 hours.
Start/Stop button or External switch starts interval ON.
Automatically turns OFF at end of preset time.
START/STOP or External switch turns OFF.

E502T – OFF DELAY TIMER

Dial sets 30 time durations from 5 seconds to 3 hours.
External switch starts interval ON.
Automatically turns OFF at end of preset time.
External switch turns OFF.

STANDARDS: Listed UL916.

CAT. NO.	UPC CODE	INPUT SUPPLY (VAC) 60 Hz	OUTPUT CONTACT
EJWT	82513	120-240	SPDT
E500T	82514	120-240	SPDT
E501T	82515	120-240	SPDT
E502T	82516	120-240	SPDT

TYPE	VOLTAGE (VAC)	RATING	
		NO	NC
General Purpose	120-240	20A	10A
Resistive	120-240	20A	10A
Motor	120	1HP	1/4HP
	208-240	2HP	1/2HP
Pilot Duty	120/240	470VA	275VA

SPECIFICATIONS

TIMING ACCURACY: 1% of timing range.

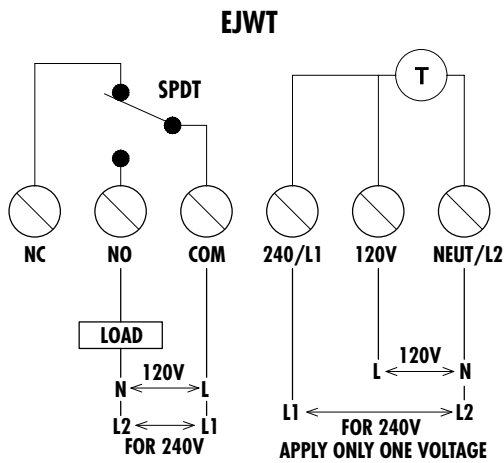
INPUT VOLTAGE: 120/240VAC, 60Hz.

TERMINAL RANGE: #12 - #18AWG.

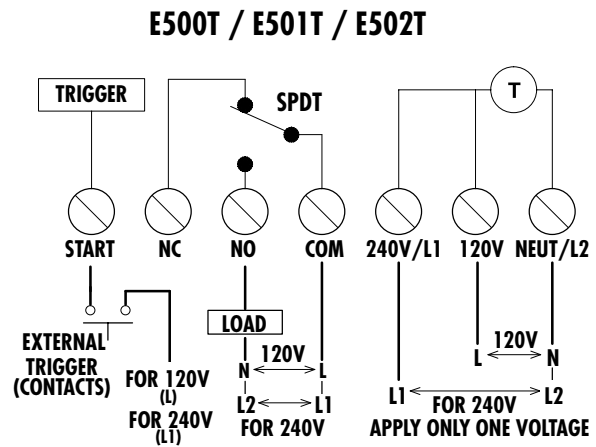
OPERATING TEMPERATURE:
32°F to +122°F (0°C to + 50°C).

POWER CONSUMPTION: 1.6VA Maximum.

ENCLOSURE: Indoor NEMA 4X is standard
(see pages 589-593 for enclosure dimensions).



Use copper conductors. For supply connections use AWG #12 wire rated for at least 90°C (194°F) or equivalent.



Use copper conductors. For supply connections use AWG #12 wire rated for at least 90°C (194°F) or equivalent.

PCT15M

PANEL MOUNT CYCLE TIME SWITCHES



SPECIFICATIONS

TIMING ACCURACY:

1% of timing range.

INPUT VOLTAGE: 120-240VAC,

50/60Hz (automatic detection).

TERMINAL RANGE: #14 - #16AWG

for line input, #12 - #16AWG for load output.

OPERATING TEMPERATURE:

-40 °F to +149 °F (-40 °C to +65 °C).

POWER CONSUMPTION: 5VA Max.

APPLICATIONS



- Oil field pumping stations
- Poultry and livestock feeding and watering
- Ventilation
- Process control

FEATURES

FIXED TIMER CYCLE: 15 minutes repeating cycle when unit is powered.

PERCENTAGE ON: 1% to 99% increments.

DISPLAY: Digital percentage reading.

ON SETTING: Hold ON.

OFF SETTING: Hold OFF.

POWER OUTAGE BACKUP: Remembers place in cycle when power resumes.

TEST MODE: For temporary ON/OFF cycle verification.

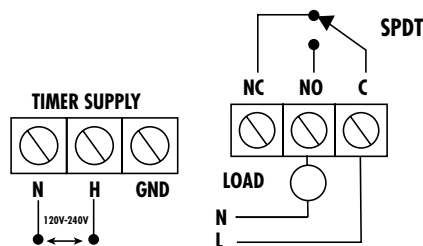
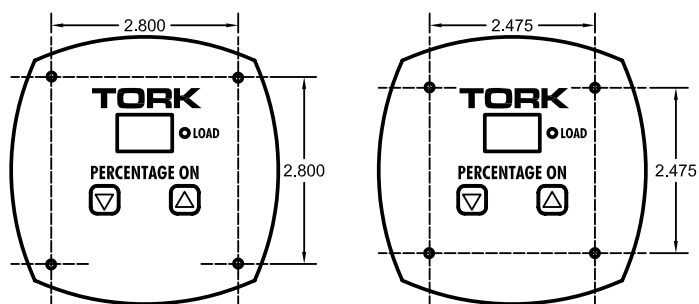
PANEL MOUNTING: 3" diameter back housing retrofits to existing mechanical timer dimensions. Two sets of mounting dimensions to choose from. (see pages 589-593 for enclosure dimensions).

STANDARDS: Listed UL60370 (formerly UL917).

CAT. NO.	UPC CODE	INPUT SUPPLY (VAC) 60 Hz	OUTPUT CONTACT
PCT15M	82528	120-240	SPDT

TYPE	RATINGS	
	NO	NC
120-240VAC General Purpose & Resistive	20A	20A
120VAC Motor	1HP	1/4HP
240VAC Motor	2HP	1/2HP

PCT15M



ACT30MA

ADJUSTABLE CYCLE TIMER TIME SWITCHES



SPECIFICATIONS

INPUT VOLTAGE: 120-240VAC.

TERMINAL RANGE: #18 - #12AWG.

CONTACTS: SPDT.

ENCLOSURE:

Indoor NEMA 4X is standard (see pages 589-593 for enclosure dimensions).

APPLICATIONS

- Poultry and livestock feeding and watering
- Agriculture irrigation for field or greenhouse
- Oil well pumping daily cycle
- Ventilation
- Process control

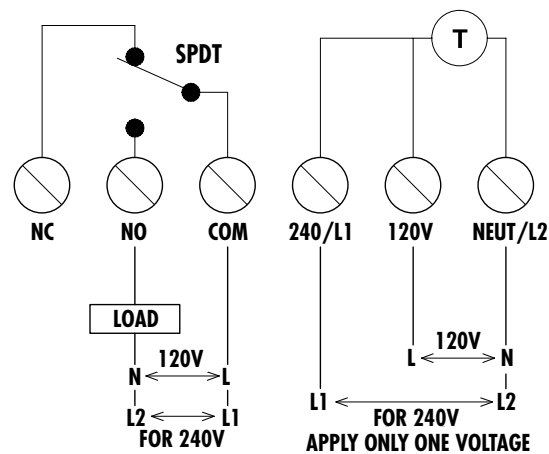
FEATURES

960 time combinations with two dials
ON time dial sets 30 time steps from 30 seconds to 15.5 minutes
OFF dial has 30 steps time steps from 30 seconds to 15.5 minutes
 Repeats cycle as long as power is applied
 Hold On or Hold Off positions included
STANDARDS: Listed UL916.

CAT. NO.	UPC CODE	INPUT SUPPLY (VAC) 60 Hz	OUTPUT CONTACT
ACT30MA	82527	120-240	SPDT

TYPE	RATINGS	
	NO	NC
120-240VAC General Purpose & Resistive	20A	10A
120VAC Motor	1HP	1/4HP
208-240VAC Motor	2HP	1/2HP
120-240VAC Pilot Duty	470VA	275VA

ACT30MA

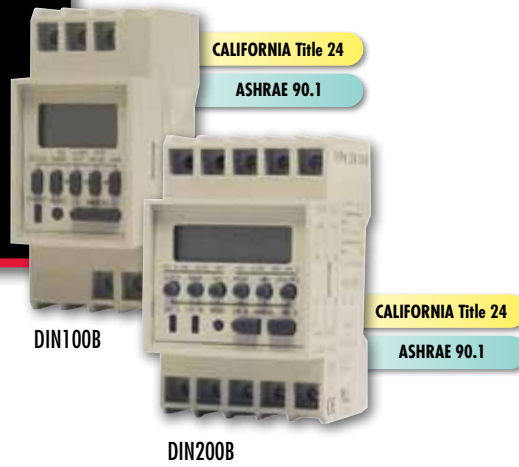


Use copper conductors. For supply connections use AWG #12 wire rated for at least 90°C (194°F) or equivalent.

DIN SERIES

1 OR 2 CHANNEL

7 DAY TIME SWITCH



PANEL BUILDERS' CHOICE

APPLICATIONS



DIN100B

DIN200B

- Panel builders
- Indoor/Outdoor lighting
- Security systems
- HVAC equipment

FEATURES

SCHEDULING: 8 ON and OFF pairs of set points for DIN100B. 4 ON and OFF (CH A) and 3 ON and OFF (CH B) pairs of set points for DIN200B. Individual programs on each day of the week. Minimum setting is 1 minute.

MANUAL OVERRIDE: Until the next regular scheduled ON or OFF, automatic operation then resumes.

CLOCK FORMAT: AM/PM.

POWER OUTAGE BACKUP: Battery retains time and schedule.

CAT. NO.	UPC CODE	DRY CONTACTS	CLOCK INPUT (VAC)50/60 Hz	NO. OF CHANNELS	NUMBER OF ON/OFF
DIN100B	82193	SPDT	120	1	8
DIN200B	82192	SPDT	120	2	4 Channel A 3 Channel B

TYPE	VOLTAGE (VAC)	RATING	
		NO	NC
Resistive	120	16A	16A
General Purpose	120	8A	8A
Motor (DIN100 only)	120	1/2HP	

SPECIFICATIONS

INPUT VOLTAGE: 120VAC, 50/60Hz.

TERMINAL RANGE: #12 - #18AWG.

OPERATING TEMPERATURE:

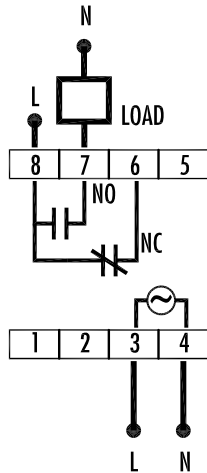
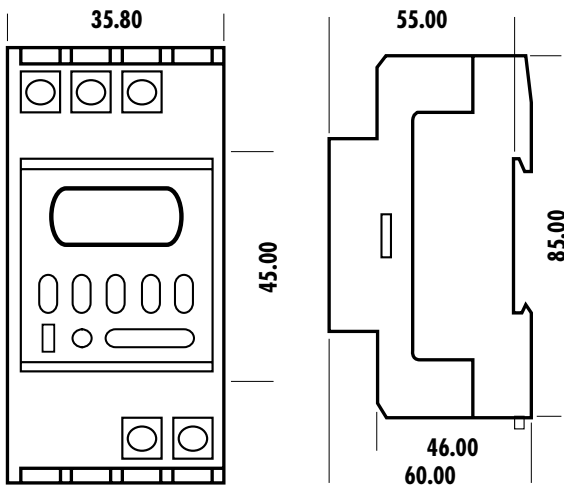
DIN100B: 14 °F - 131 °F (-10 °C - +55 °C).

DIN200B: 14 °F - 113 °F (-10 °C - +45 °C).

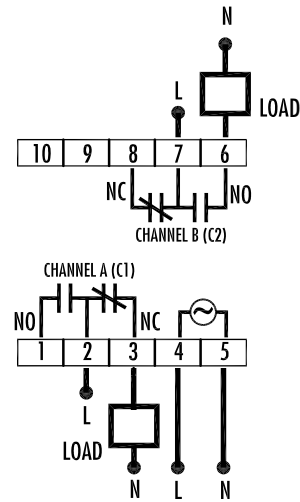
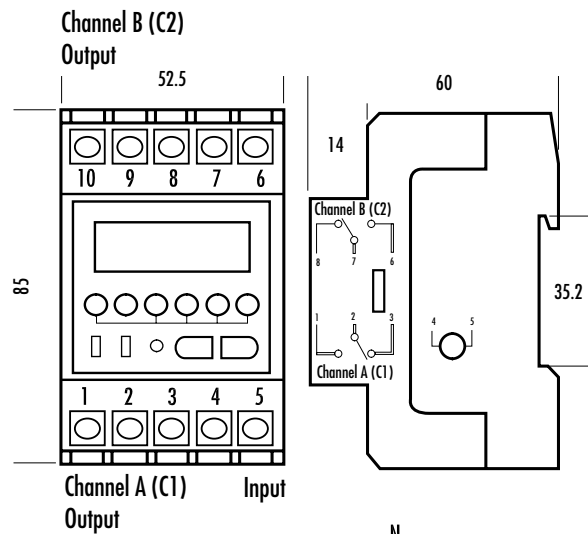
POWER CONSUMPTION: 4VA Maximum.

MOUNTING: DIN rail #50022 (35mm) or flat surface using supplied adapter.

DIN100B



DIN200B



SMC SERIES MOMENTARY CONTACT ADAPTER



SPECIFICATIONS

INPUT VOLTAGE: 120VAC, 50/60Hz.

TERMINAL RANGE: #12 - #18AWG.

OPERATING TEMPERATURE:
-31 °F to +131 °F (-35 °C to + 55 °C).

POWER CONSUMPTION: 6VA max.

ENCLOSURE: Noryl® Indoor/Outdoor
NEMA 3R with lockable hasp (see pages
589-593 for enclosure dimensions).

APPLICATIONS

- Converts maintained contacts for pulse switching
- Timer to latching contactor control
- Photocell to latching contactor control Signaling

FEATURES

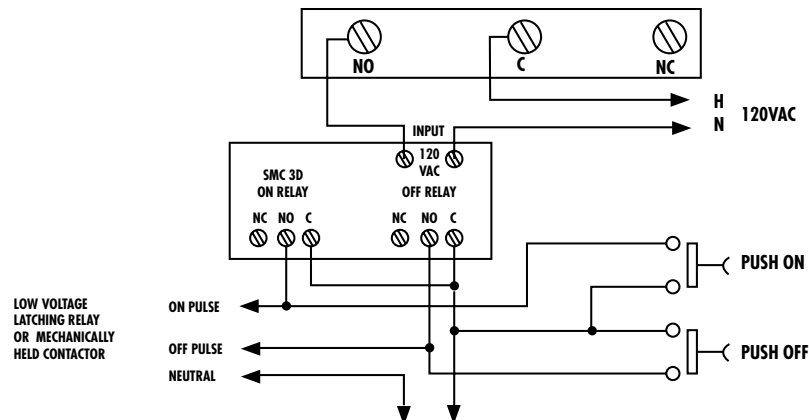
MAINTAINED INPUT: SMC3D accepts maintained input power from any 120 volt control. When power is applied or removed a short contact closure (pulse) is created on the dry output contacts.

MOMENTARY OUTPUT: SMC3D provides two dry output contacts. The ON contact provides a 2 second contact closure (pulse) when power is applied to the input contacts. The OFF contact provides a 2 second pulse when power is removed from the input contacts.

CAT. NO.	UPC CODE	INPUT SUPPLY (VAC) 50/60Hz	OUTPUT CONTACTS
SMC3D	52011	120	SPDT Momentary

TYPE	VOLTAGE (VAC)	RATING	
		NO	NC
Resistive	120	10A	10A
General Purpose	120	10A	10A
Motor	120	1/4HP	

TORK DIGITAL CONTROL
TERMINAL BLOCK
MAINTAINED CONTACT INPUT



LOW VOLTAGE
LATCHING RELAY
OR MECHANICALLY
HELD CONTACTOR

5401A SERIES

INCREASED AMPERAGE & VOLTAGE SWITCHING

40 AMP CONTACTORS

APPLICATIONS

- Lighting loads
- Exhaust fans
- Electric and hot water heaters
- Refrigeration and defrosting



5401A

5441A

CAT. NO.	UPC CODE	COIL VOLTS	NO. OF CONTACTORS	OUTPUT CONTACTS
5401A	81019	120	1	3PST
5441A	81020	120	4	3PST

FEATURES

CONTACT RATINGS: Can switch up to 40 AMPS per pole from 120VAC to 277V lighting loads, one to three circuits simultaneously.

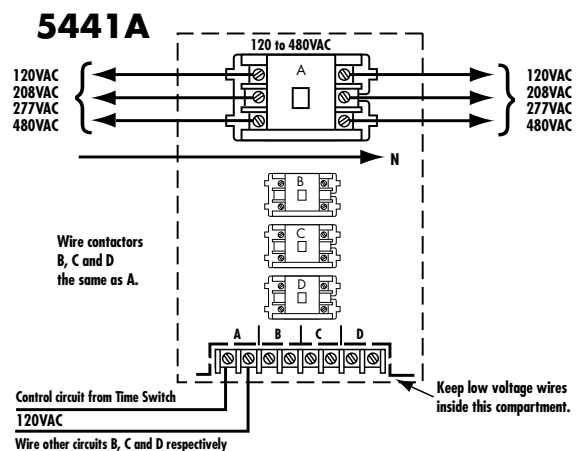
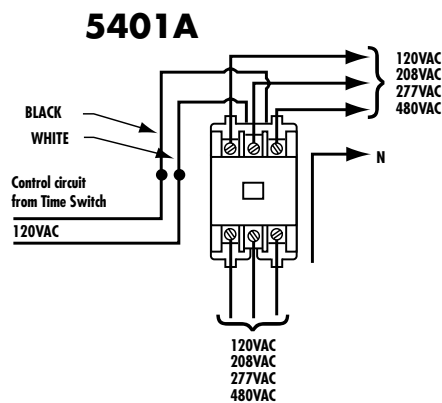
EASY WIRING: Includes 120 volt control wiring compartment. 5441 has terminal strip pre-mounted for quick connection.

ENCLOSURE: Metal NEMA 1 Indoor enclosure (see pages 589-593 for enclosure dimensions).

TYPE	VOLTAGE (VAC)	FLA	RATING
Tungsten*	120	-	30A
Ballast*	120/277	-	40A
LED*	120/277	-	40A
Motor (Single Phase)	120 240	40 40	3HP 7.5HP
Motor (3 Phase)	240 480	40 40	10HP 20HP

Coil Data: 120VAC @ 60Hz
6VA Holding/seal; 60VA inrush

* Ratings for single phase load



HPS STARTER

FOR HIGH PRESSURE SODIUM LAMPS

STARTING AID



SPECIFICATIONS

LINE VOLTAGE: 105 - 347VAC.

LAMP VOLTAGE: 55 or 100VAC.

LAMP WATTAGE: 35 to 400 watts.

OPERATING TEMPERATURE:
-40 °F to +221 °F (-40 °C to +105 °C).

LEAD LENGTH: 9 inches.

ENCLOSURE: Durable, high temperature Lexan® housing.

APPLICATIONS

- Designed to operate as a starting aid, for all
- H.P.S. ballasts from 35 to 400 watts, with lamp voltage of 55 or 100 volts.

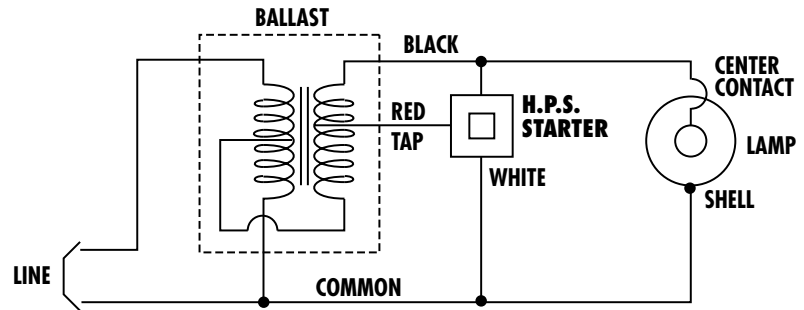
FEATURES

SMART VOLTAGE: Delivers appropriate trigger spikes for lamp ignition, then reduces voltage to good lamps. Continues to feed voltage spikes to old or poorly working lamps.

HIGH GRADE MATERIAL: All components are sealed with high grade die-electric material to protect against contaminants and other adverse environmental conditions.

EASY INSTALLATION: Universal 3 wire design, color coded for ease of installation.

CAT. NO.	UPC CODE	DESCRIPTION
HPS30	81030	High Pressure Sodium Starter

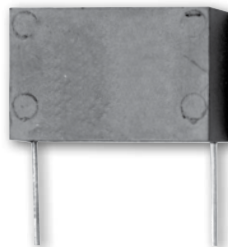


SURGE SUPPRESSOR

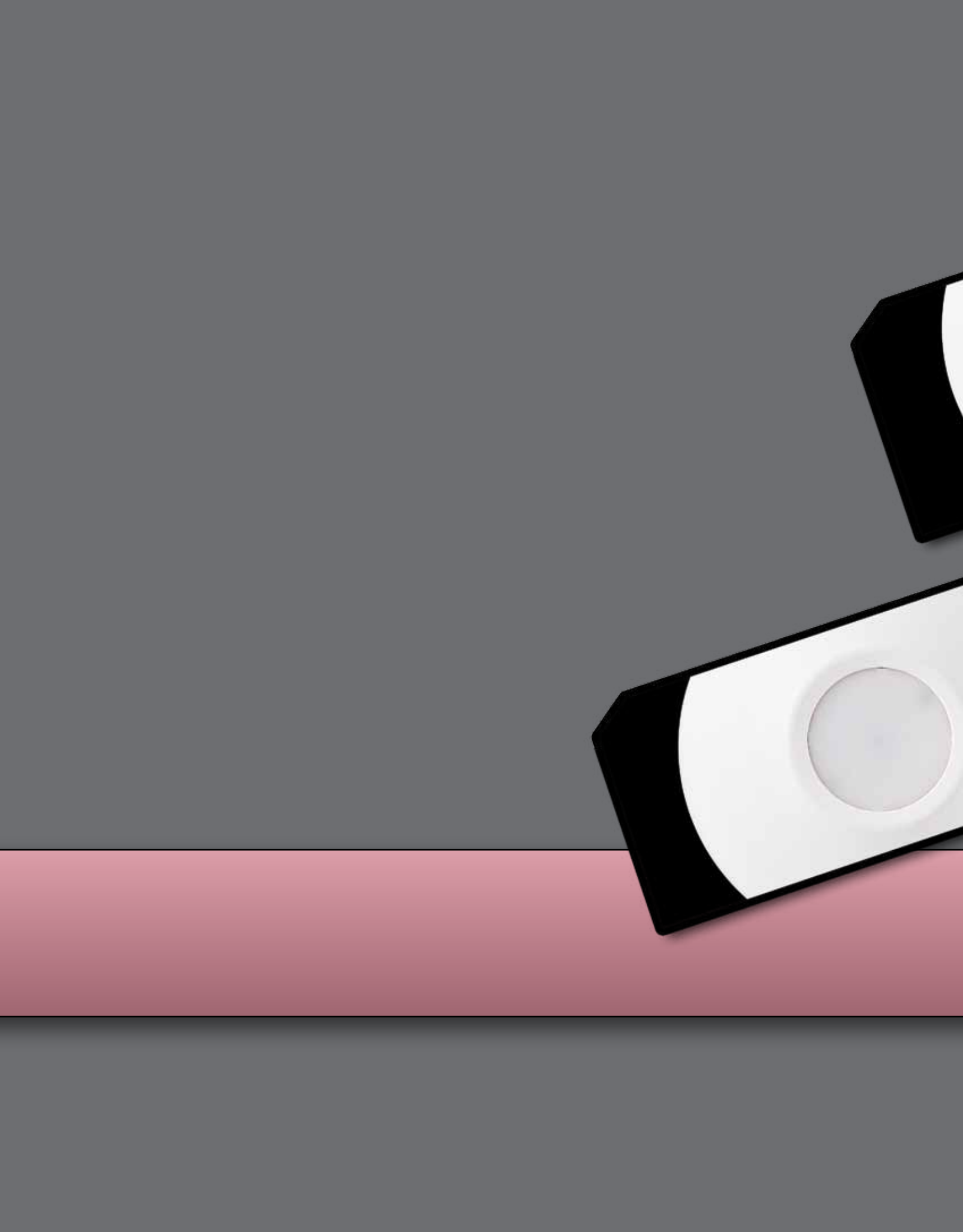
FOR HIGH ELECTRICAL NOISE

APPLICATIONS

- For high electrical noise interference, recommended for all digital controls.



CAT. NO.	UPC CODE	DESCRIPTION
90058-1	81024	Surge Suppressor





TORK® OCCUPANCY SENSORS

TECHNOLOGY PIR AND ULTRASONIC

A **Passive Infrared Sensor** (PIR sensor), is a device that measures infrared radiation (IR), or heat, from objects in its field of view. Because it only receives information, it is considered passive. The IR sensor views a human body as an IR generating object. The lens of the occupancy sensor breaks up the field of view into IR sensitive bands. The occupancy sensor is designed to only react when heat is sensed moving from band to band. For PIR occupancy sensors to work, the person must have direct "line of sight" to the PIR sensor and cross between bands.

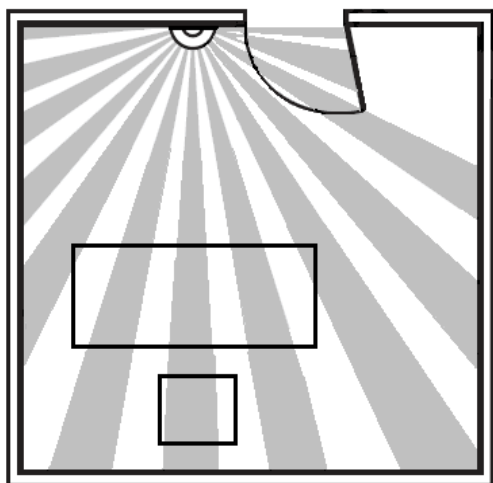
An **Ultrasonic Sensors** (US sensor) is a technology that works on a principle similar to radar or sonar. It is an active technology that sends and receives. It emits an inaudible high-frequency sound wave and evaluates the echo which is received back after bouncing around in the room. This allows the sensor to evaluate the whole room and can "look" over walls and obstructions to identify movement.

Both technologies show higher sensitivity closer to the sensor to allow small movements to be noticed. Sensitivity reduces further away from the sensor and may require a walking step to activate the sensor.

PLACEMENT GUIDELINES WALL SENSOR

A **Wall Switch Sensor** provides a 180° coverage pattern, extending outward from the sensor. This will allow for instant turn ON when an occupant enters the space. Total area covered will be over 400 square feet.

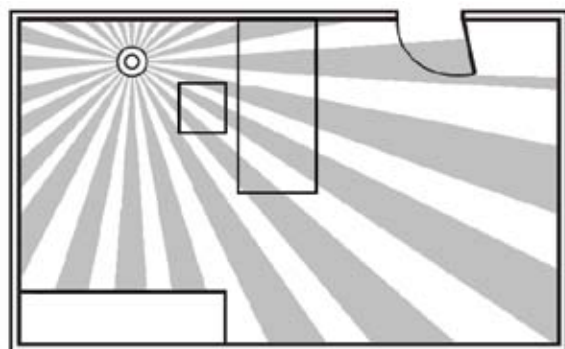
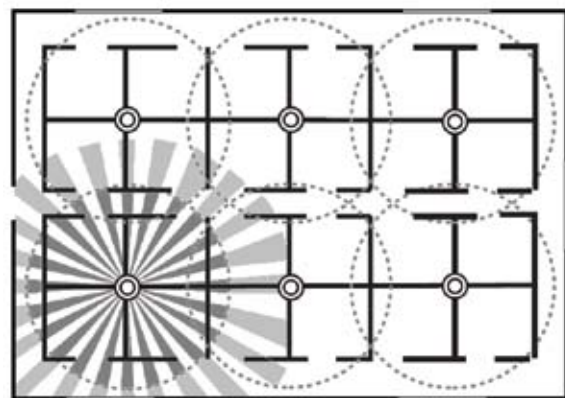
- Proper placement gives the sensor a clear line of sight to the entry door without viewing the hallway.
- The occupant must be able to see the sensor from their normal work position otherwise the sensor will not be able to detect their presence.
- For offices where there are other obstructions between the sensor and the occupant or the entry door, a ceiling sensor is required.



PLACEMENT GUIDELINES CEILING SENSOR

A **Ceiling Sensor** provides a 360° coverage pattern of up to 1200 square feet when using passive infrared only. Barriers within the space that block line-of-sight to sensor detection will decrease coverage area when using passive infrared by itself, ultrasonic or dual technology will allow the sensor to get around the obstructions.

- Designed for ceiling mounting at a height of 8-10 feet (mounting sensor at greater heights decreases the sensitivity to motion, while lower mounting height will decrease range).
- The sensor needs a visually unobstructed view of the normally occupied workspace and entry door(s).
- Avoid sensor placement with a direct view out a doorway. Placing the sensor offset from the center and away from the door is recommended.
- If the occupant cannot see a PIR sensor from their normal work position, the sensor will not be able to detect their presence.
- File cabinets, partitions, or walls are typical types of obstructions. If there are other obstructions between the sensor and the occupant, an ultra-sonic or dual technology ceiling sensor is recommended.
- When the photo sensor is used, mount within 15 feet of the windows or skylight and avoid mounting the sensor close to lighting fixtures.
- Place the sensor no closer than 5 feet to an HVAC air duct when using dual technology sensors.
- Open office designs encourage placement of the sensors to allow overlapping coverage of small motion range and a clear view into each cubicle. Walking step motion may cover the entry to the space. Dual technology units provide added sensitivity to small motion.



WOS SERIES

PIR WALL SWITCH OCCUPANCY SENSOR



ASHRAE 90.1



APPLICATIONS

- Offices areas
- Meeting rooms
- Equipment room & storage spaces

SPECIFICATIONS

VOLTAGE:

120VAC 50/60 Hz.

OPERATING TEMPERATURE:

32 °F to 131 °F (0 °C to 55 °C).

COVERAGE:

1200 sq. ft.

WARRANTY:

3 YRS.

CONTACT RATINGS:

120V 800W Tungsten.

120V 1000W Electronic Ballast & LED.

120V ¼ HP Motor.

FEATURES

SOFTWARE SET: Completely customizable functions through button push programming.

MODES: Four selectable modes: Automatic On/Off, Manual On (vacancy), energy saving Walk Through, or Test. Factory default setting is Automatic.

TIME DELAY: 6 steps settings 5, 10, 15, 20, 25, and 30 minutes. Factory default setting is 10 minutes.

FLASH WARNING: Optional load flicker 2 minutes before Off.

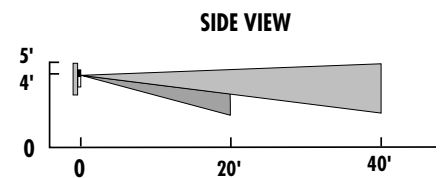
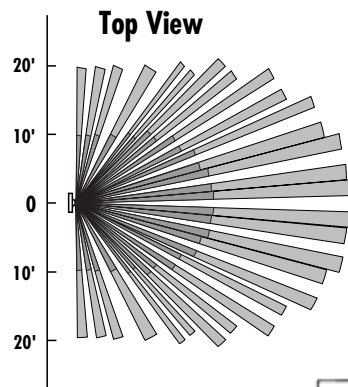
TAMPER RESISTANT: Captive button, rugged lens, and optional disable button function for public areas. Use in bathrooms to avoid manual off condition for occupant as another person leaves.

COVERAGE AREA: Preset for full coverage area. Optional half size area is selectable.

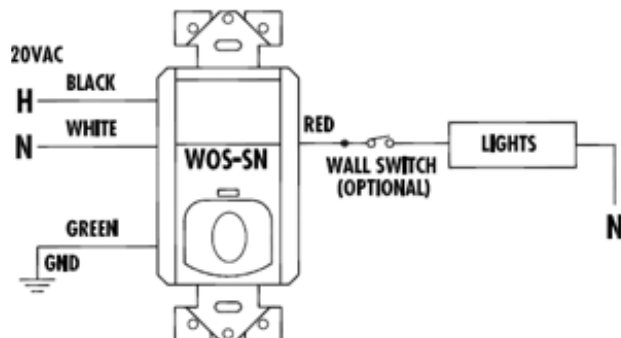
TEST MODE: Used for initial installation. Changes back to Auto mode within 30 minutes without resetting.

COLOR: White (single gang decorator wall plate included).

CAT NO.	UPC CODE	INPUT SUPPLY VAC 50/60Hz	WIRING
WOS-SN	98213	120	Requires Neutral



180° Field of View



WOS-M SERIES

PIR WALL SWITCH OCCUPANCY SENSOR



ASHRAE 90.1



APPLICATIONS

- Offices areas
- Meeting rooms
- Equipment room & storage spaces
- New construction & retrofit

SPECIFICATIONS

VOLTAGE:

120/230/277VAC 50/60 Hz.

OPERATING TEMPERATURE:

32 °F to 131 °F (0 °C to 55 °C).

COVERAGE: 1200 sq. ft.

WARRANTY: 5 YRS.

CONTACT RATINGS:

120V 800W Tungsten.
120V 1000W Electronic Ballast & LED.
230V 1500W Electronic Ballast & LED.
277V 1800W Electronic Ballast & LED.
120V ¼ HP Motor.

CAT. NO.	UPC CODE	INPUT SUPPLY VAC 50/60Hz	WIRING
WOS-M	98217	120/230/277	No Neutral Required
WOS-MN	98215	120/230/277	Requires Neutral

FEATURES

SOFTWARE SET: Completely customizable functions through button push programming.

MODES: Four selectable modes: Automatic On/Off, Manual On (vacancy), energy saving Walk Through, or Test. Factory default setting is Automatic.

TIME DELAY: 6 steps settings 5, 10, 15, 20, 25, and 30 minutes. Factory default setting is 10 minutes.

DAYLIGHT PHOTOSENSOR: Optional light-level turn off from 5 to 200fc. Save energy if windows provide enough light.

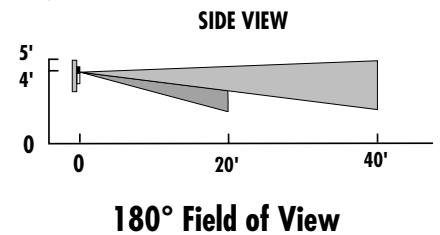
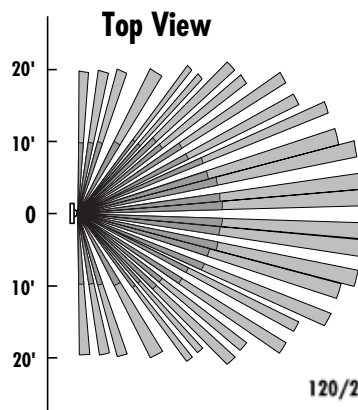
FLASH WARNING: Optional load flicker 2 minutes before Off.

TAMPER RESISTANT: Captive button, rugged lens, and optional disable button function for public areas. Use in bathrooms to avoid manual off condition for occupant as another person leaves.

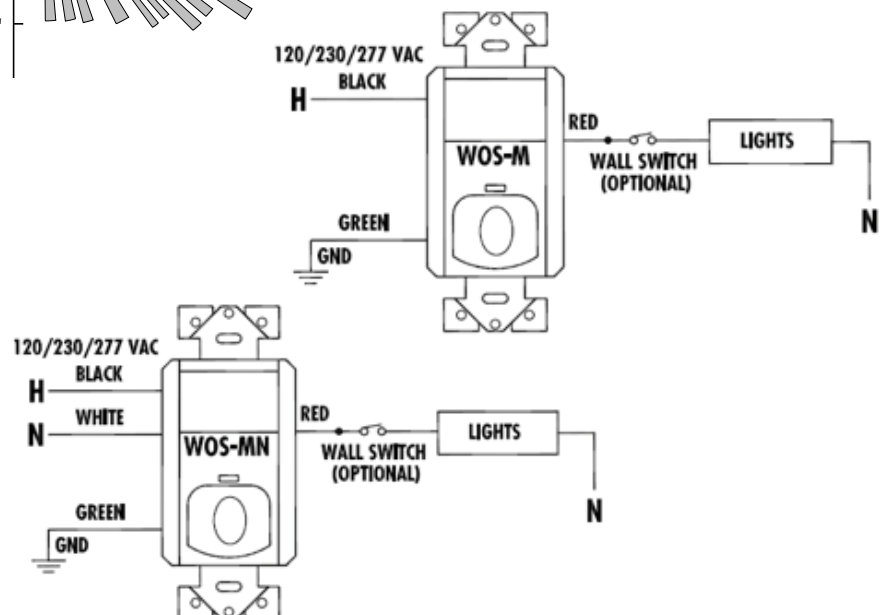
COVERAGE AREA: Preset for full coverage area. Optional half size area is selectable.

TEST MODE: Used for initial installation. Changes back to Auto mode within 30 minutes without resetting.

COLOR: White (single gang decorator wall plate included).



180° Field of View



WOS-M2R SERIES

PIR WALL SWITCH TWO RELAY OCCUPANCY SENSOR



ASHRAE 90.1



SPECIFICATIONS

VOLTAGE:
120/230/277VAC 50/60 Hz.

OPERATING TEMPERATURE:
32 °F to 131 °F (0 °C to 55 °C).

COVERAGE: 1200 sq. ft.

WARRANTY: 5 YRS.

CONTACT RATINGS:
120V 800W Tungsten.
120V 1000W Electronic Ballast & LED.
230V 1500W Electronic Ballast & LED.
277V 1800W Electronic Ballast & LED.
120V ¼ HP Motor.

APPLICATIONS



- Offices areas
- Meeting rooms
- Equipment room & storage spaces
- New construction & retrofit

FEATURES

SOFTWARE SET: Completely customizable functions through button push programming. Each relay can have different settings.

- **BATHROOM MODE:** set fan relay time delay longer than lighting relay.
- **TWO STEP LIGHT LEVEL:** set each relay to turn off at different daylighting levels
- **PUBLIC AREAS:** Disable one relay button manual OFF function. Use in bathrooms to avoid full off condition for occupant as another person leaves.

MODES: Four selectable modes: Automatic On/Off, Manual On (vacancy), energy saving Walk Through, or Test. Factory default setting is Automatic.

TIME DELAY: 6 steps settings 5, 10, 15, 20, 25, and 30 minutes. Factory default setting is 10 minutes.

DAYLIGHT PHOTOSENSOR: Optional light-level turn off from 5 to 200fc. Save energy if windows provide enough light.

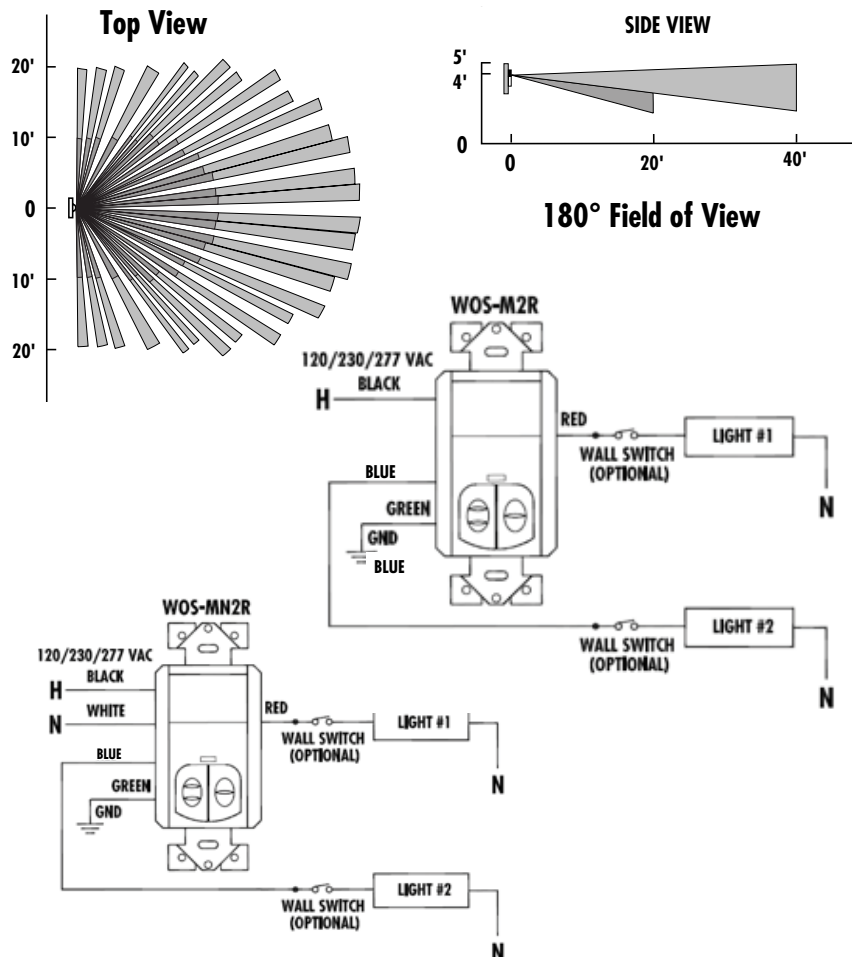
FLASH WARNING: Optional load flicker 2 minutes before Off.

TAMPER RESISTANT: Captive button, rugged lens, and optional disable button function for public areas.

COVERAGE AREA: Preset for full coverage area. Optional half size area is selectable.

TEST MODE: Used for initial installation. Changes back to Auto mode within 30 minutes without resetting.

COLOR: White (single gang decorator wall plate included).



WOS-MN2T SERIES

ULTRASONIC AND PIR WALL SWITCH OCCUPANCY SENSOR



ASHRAE 90.1



APPLICATIONS

- Offices areas
- Meeting rooms
- Equipment room & storage spaces
- New construction & retrofit

SPECIFICATIONS

VOLTAGE:

120/230/277VAC 50/60 Hz.

OPERATING TEMPERATURE:

32 °F to 131 °F (0 °C to 55 °C)

COVERAGE:

PIR 1200 sq. ft.

Ultra-Sonic 400 sq. ft.

WARRANTY: 5 YRS.

CONTACT RATINGS:

120V 800W Tungsten.

120V 1000W Electronic Ballast.

120V 5.8A LED.

230V 1500W Electronic Ballast.

277V 1800W Electronic Ballast.

120V ¼ HP Motor.

FEATURES

SOFTWARE SET: Completely customizable functions through button push programming. Each relay can have different settings.

- INITIAL ON: customize and set one technology only to trigger turn on.
- MAINTAIN ON: customize and set one technology to keep lights on.
- PUBLIC AREAS: Disable button manual OFF function. Use in bathrooms to avoid full off condition for occupant as another person leaves.

MODES: Four selectable modes: Automatic On/Off, Manual On (vacancy), energy saving Walk Through, or Test. Factory default setting is Automatic.

TIME DELAY: 6 steps settings 5, 10, 15, 20, 25, and 30 minutes. Factory default setting is 10 minutes.

DAYLIGHT PHOTOSENSOR: Optional light-level turn off from 5 to 200fc. Save energy if windows provide enough light.

FLASH WARNING: Optional load flicker 2 minutes before Off.

TAMPER RESISTANT: Captive button, rugged lens, and optional disable button function for public areas.

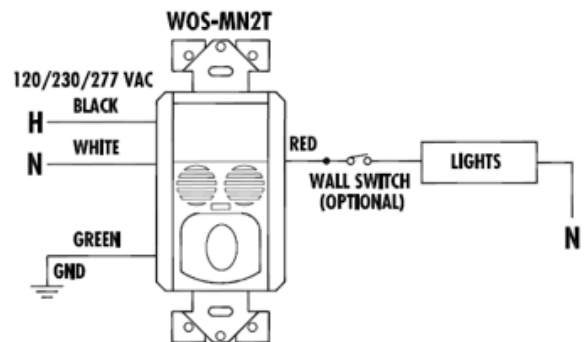
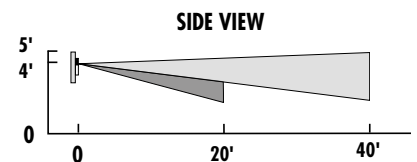
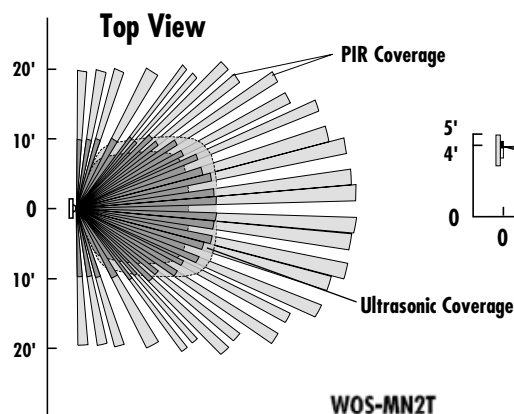
COVERAGE AREA: Preset for full coverage area. Optional half size area is selectable.

SENSOR CHOICES: Factory default setting allows either technology to trigger the unit. Optional is a disable function of one technology for initial and/or maintain on operations.

TEST MODE: Used for initial installation. Changes back to Auto mode within 30 minutes without resetting.

COLOR: White (single gang decorator wall plate included).

CAT. NO.	UPC CODE	INPUT SUPPLY VAC 50/60Hz	WIRING
WOS-MN2T	98223	120/230/277	Requires Neutral



COS-L2T SERIES

ULTRASONIC AND PIR
CEILING MOUNTING
OCCUPANCY SENSOR



ASHRAE 90.1

SPECIFICATIONS

VOLTAGE:
24VDC.

CURRENT CONSUMPTION:
9mA.

POWER SUPPLY:
TPR-24I or TRP-24B Power Packs
provided separately.

OPERATING TEMPERATURE:
32 °F to 131 °F (0 °C to 55 °C)

COVERAGE:
PIR 1200 sq. ft.
Ultra-Sonic 900 sq. ft.

WARRANTY: 5 YRS.

APPLICATIONS



- Large offices areas
- Larger meeting rooms
- Classrooms
- Bathroom & storage spaces

FEATURES

SOFTWARE SET: Completely customizable functions through button push programming.

- INITIAL ON: customize and set one technology only to trigger turn on.
- MAINTAIN ON: customize and set one technology to keep lights on.

MODES: Three selectable modes: Automatic On/Off, energy saving Walk Through, and Test. Factory default setting is Automatic.

TIME DELAY: 6 steps settings 5, 10, 15, 20, 25, and 30 minutes. Factory default setting is 10 minutes.

FLASH WARNING: Optional load flicker 2 minutes before Off.

COVERAGE AREA: Adjustable for three steps of sensitivity for ultrasonic and two steps for PIR.

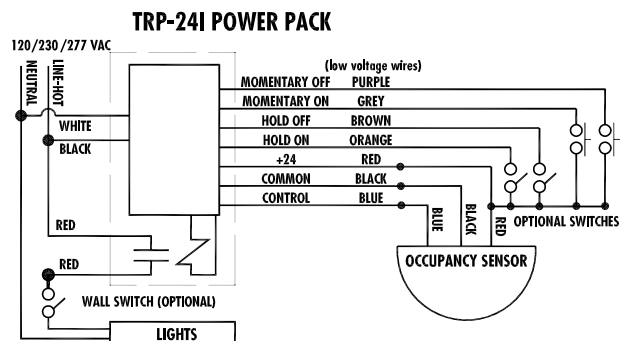
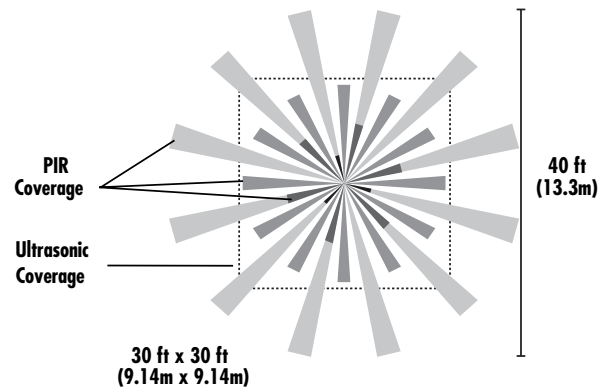
SENSOR CHOICES: Factory default setting allows either technology to trigger the unit. Optional disable function of one technology for initial and/or maintain on operations.

TEST MODE: Used for initial installation. Changes back to Auto mode within 30 minutes without resetting.

TRP OUTPUT: TRP series is required to power the COS-L2T. A maximum of six Tork occupancy sensors may be connected.

MOUNTING: Mounts direct to box or ceiling. Available is optional adapter for pendant or side mounting with 1/2" threaded nipple.

CAT. NO.	UPC CODE	INPUT SUPPLY	DESCRIPTION
COS-L2T	98207	24VDC	White
TRP-24I	98227	120/277VAC	Power Pack
COS-ADP	98229	1/2" pendant/side mounting adapter	



COS-L SERIES

PIR CEILING MOUNTING

OCCUPANCY SENSOR



ASHRAE 90.1



APPLICATIONS

- Large offices areas
- Larger meeting rooms
- Classrooms
- Equipment room & storage spaces

SPECIFICATIONS

VOLTAGE:
24VDC.

CURRENT CONSUMPTION:
9mA.

POWER SUPPLY:
TPR-24I or TRP-24B Power Packs provided separately.

OPERATING TEMPERATURE:
32 °F to 131 °F (0 °C to 55 °C).

COVERAGE: 1200 sq. ft.

WARRANTY: 5 YRS.

FEATURES

SOFTWARE SET: Completely customizable functions through button push programming.

MODES: Three selectable modes: Automatic On/Off, energy saving Walk Through, and Test. Factory default setting is Automatic.

TIME DELAY: 6 steps settings 5, 10, 15, 20, 25, and 30 minutes. Factory default setting is 10 minutes.

FLASH WARNING: Optional load flicker 2 minutes before Off.

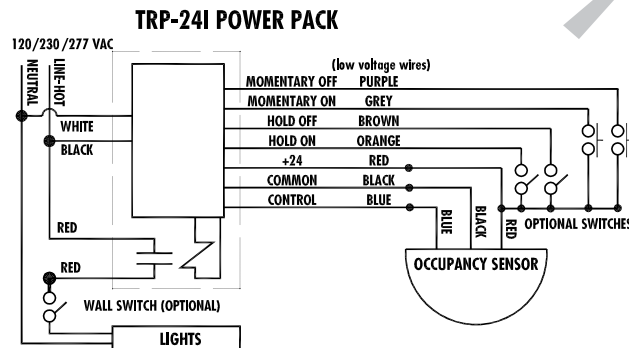
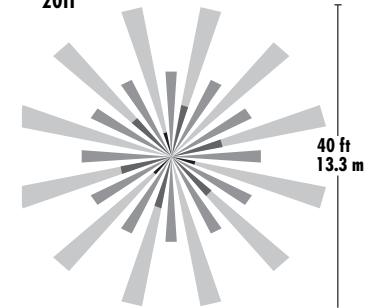
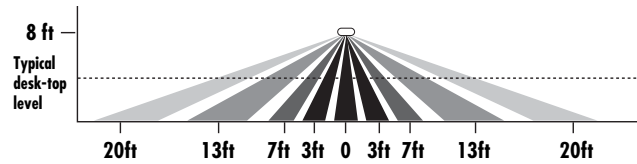
COVERAGE AREA: Preset for full coverage area. Optional half size area is selectable.

TEST MODE: Used for initial installation. Changes back to Auto mode within 30 minutes without resetting.

TRP OUTPUT: TRP series is required to power the COS-L. A maximum of six Tork occupancy sensors may be connected.

MOUNTING: Mounts direct to box or ceiling. Available is optional adapter for pendant or side mounting with 1/2" threaded nipple.

CAT. NO.	UPC CODE	INPUT SUPPLY	DESCRIPTION
COS-L	98203	24VDC	White
TRP-24I	98227	120/277VAC	Power Pack
COS-ADP	98229	1/2" pendant/side mounting adapter	



COS-LU SERIES

ULTRASONIC CEILING MOUNTING OCCUPANCY SENSOR



ASHRAE 90.1

SPECIFICATIONS

VOLTAGE:
24VDC.

CURRENT CONSUMPTION:
9mA.

POWER SUPPLY:
TPR-24I or TRP-24B Power Packs provided separately.

OPERATING TEMPERATURE:
32 °F to 131 °F (0 °C to 55 °C).

COVERAGE: 900 sq. ft.

WARRANTY: 5 YRS.

APPLICATIONS



- Large offices areas
- Larger meeting rooms
- Classrooms
- Bathroom & storage spaces

FEATURES

SOFTWARE SET: Completely customizable functions through button push programming.

MODES: Three selectable modes: Automatic On/Off, energy saving Walk Through, and Test. Factory default setting is Automatic.

TIME DELAY: 6 steps settings 5, 10, 15, 20, 25, and 30 minutes. Factory default setting is 10 minutes.

FLASH WARNING: Optional load flicker 2 minutes before Off.

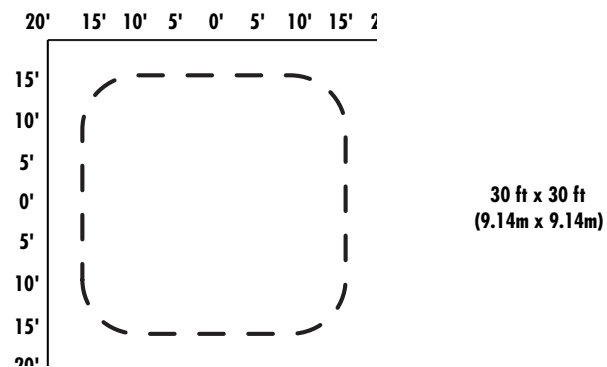
COVERAGE AREA: Adjustable for three steps of sensitivity.

TEST MODE: Used for initial installation. Changes back to Auto mode within 30 minutes without resetting.

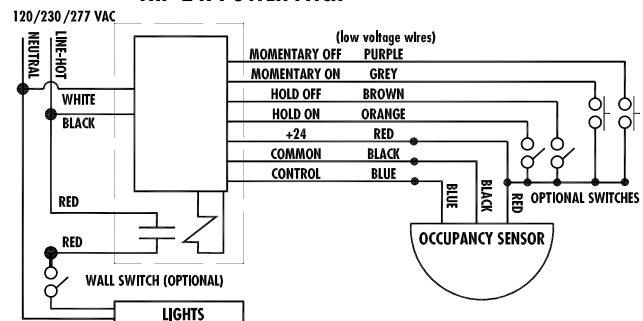
TRP OUTPUT: TRP series is required to power the COS-LU. A maximum of six Tork occupancy sensors may be connected.

MOUNTING: Mounts direct to box or ceiling. Available is optional adapter for pendant or side mounting with 1/2" threaded nipple.

CAT. NO.	UPC CODE	INPUT SUPPLY	DESCRIPTION
COS-LU	98205	24VDC	White
TRP-24I	98227	120/277VAC	Power Pack
COS-ADP	98229	1/2" pendant/side mounting adapter	



TRP-24I POWER PACK



COS-M SERIES

PIR CEILING MOUNTING LINE VOLTAGE OCCUPANCY SENSOR



ASHRAE 90.1



SPECIFICATIONS

VOLTAGE:
120/230/277VAC 50/60Hz.

POWER SUPPLY:
Built-in.

OPERATING TEMPERATURE:
32 °F to 131 °F (0 °C to 55 °C).

COVERAGE: 1200 sq. ft.

WARRANTY: 5 YRS.

CONTACT RATINGS:
120V 800W Tungsten.
120V 1000W Electronic Ballast & LED.
230V 1500W Electronic Ballast & LED.
277V 1800W Electronic Ballast & LED.
120V ¼ HP Motor.

APPLICATIONS



- Large offices areas
- Larger meeting rooms
- Classrooms
- Equipment room & storage spaces

FEATURES

SOFTWARE SET: Completely customizable functions through button push programming.

MODES: Three selectable modes: Automatic On/Off, energy saving Walk Through, and Test. Factory default setting is Automatic.

TIME DELAY: 6 steps settings 5, 10, 15, 20, 25, and 30 minutes. Factory default setting is 10 minutes.

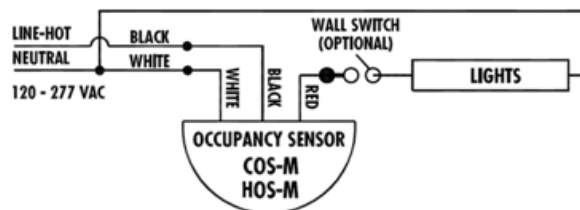
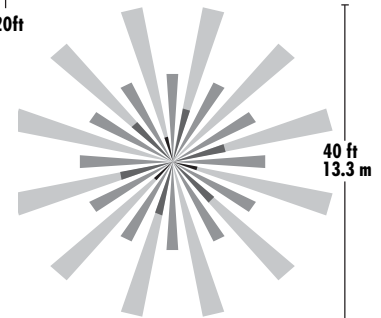
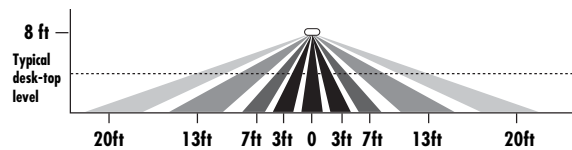
FLASH WARNING: Optional load flicker 2 minutes before Off.

COVERAGE AREA: Preset for full coverage area. Optional half size area is selectable.

TEST MODE: Used for initial installation. Changes back to Auto mode within 30 minutes without resetting.

MOUNTING: Mounts direct to a box. Available is optional adapter for pendant or side mounting with ½" threaded nipple.

CAT. NO.	UPC CODE	INPUT SUPPLY (VAC)	DESCRIPTION
COS-M	98201	120/230/277	White
COS-ADP	98229	1/2" pendant/side mounting adapter	



HOS-M SERIES

HIGH BAY PIR MOUNTING LINE VOLTAGE OCCUPANCY SENSOR



ASHRAE 90.1



SPECIFICATIONS

VOLTAGE:
120/230/277VAC 50/60Hz.

POWER SUPPLY:
Built-in.

OPERATING TEMPERATURE:
32 °F to 131 °F (0 °C to 55 °C).

COVERAGE: 1000 sq. ft.

WARRANTY: 5 YRS.

CONTACT RATINGS:
120V 800W Tungsten.
120V 1000W Electronic Ballast & LED.
230V 1500W Electronic Ballast & LED.
277V 1800W Electronic Ballast & LED.
120V ¼ HP Motor.

APPLICATIONS



- Warehouse
- Tall aisle
- High ceiling equipment room & storage spaces

FEATURES

SOFTWARE SET: Completely customizable functions through button push programming.

MODES: Three selectable modes: Automatic On/Off, energy saving Walk Through, and Test. Factory default setting is Automatic.

TIME DELAY: 6 steps settings 5, 10, 15, 20, 25, and 30 minutes. Factory default setting is 10 minutes.

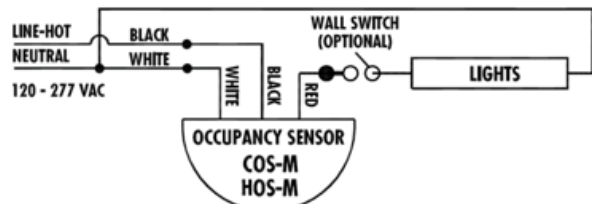
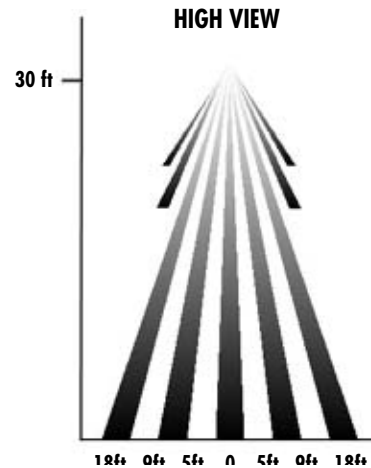
FLASH WARNING: Optional load flicker 2 minutes before Off.

COVERAGE AREA: Preset for full coverage area. Optional half size area is selectable.

TEST MODE: Used for initial installation. Changes back to Auto mode within 30 minutes without resetting.

MOUNTING: Includes as standard an adapter for pendant or side mounting with ½" threaded nipple. Also mounts direct to box or ceiling.

CAT. NO.	UPC CODE	INPUT SUPPLY (VAC)	DESCRIPTION
HOS-M	98209	120/230/277	White



CPS-L SERIES

CEILING MOUNTING PHOTO SENSOR



ASHRAE 90.1



APPLICATIONS

- Side window areas of offices
- Spaces with skylights
- Classrooms

SPECIFICATIONS

VOLTAGE:
24VDC.

CURRENT CONSUMPTION:
9mA.

POWER SUPPLY:
TPR-24B Power Packs provided separately.

OPERATING TEMPERATURE:
32 °F to 131 °F (0 °C to 55 °C).

WARRANTY: 5 YRS.

FEATURES

SOFTWARE SET: Completely customizable functions through button push programming.

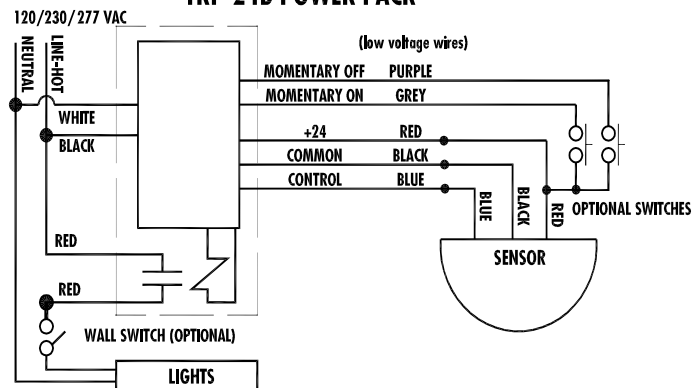
LIGHT LEVEL SETTING: Light level between 5 to 200 fc.

TRP OUTPUT: TRP series is required to power the CPS-L. A maximum of 12 Tork power packs may be connected.

MOUNTING: Mounts direct to box or ceiling. Available is optional adapter for pendant or side mounting with 1/2" threaded nipple.

CAT. NO.	UPC CODE	INPUT SUPPLY	DESCRIPTION
CPS-L	98211	24VDC	White
TRP-24B	98225	120/277VAC	Power Pack
COS-ADP	98229	1/2" pendant/side mounting adapter	

TRP-24B POWER PACK



TRP-24 SERIES

POWER PACK FOR OCCUPANCY SENSORS



ASHRAE 90.1

SPECIFICATIONS

VOLTAGE:
120/230/277VAC 50/60Hz.

OPERATING TEMPERATURE:
32 °F to 131 °F (0 °C to 55 °C).

WARRANTY: 5 YRS.

CONTACT RATINGS:
120V 15A Incandescent.
120/230/277V 20A Ballast.
120V 1 HP Motor.

APPLICATIONS



- Power and switching for occupancy or light sensors
- Power and switching for SS410 auto-off switch
- BAS compatible
- Demand shedding applications
- Low cost momentary switching of loads

FEATURES

OPERATION: Switches line voltage loads ON/OFF based on a contact closure from an occupancy sensor, AUTO OFF switch, or relay.

SENSOR CONTROL: Three wires for typical device control. Red and black wires for 24VDC output to power a device. Blue control wire to receive ON/OFF signal back from device.

TRP-24B INPUT: Two additional input wires to control TRP.

1. ON from momentary switch.
2. OFF from momentary switch.

TRP-24I INPUT: Four additional input wires to control TRP.

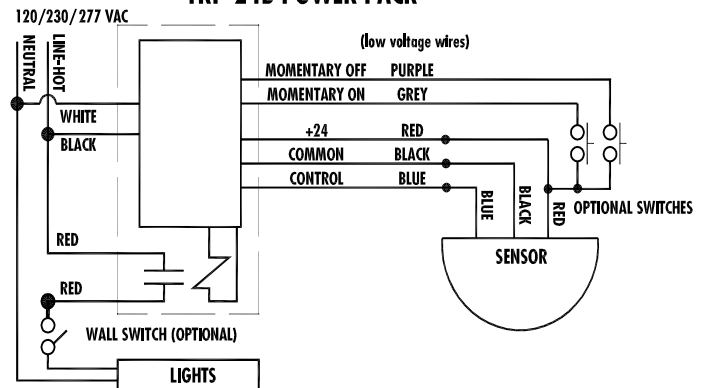
1. Hold OFF for demand shed control.
2. Hold ON override.
3. ON from momentary switch.
4. OFF from momentary switch.

TRP OUTPUT: TRP series is a Class 2 Power Supply with 150mA output. A maximum of six Tork COS-L type occupancy sensors may be connected.

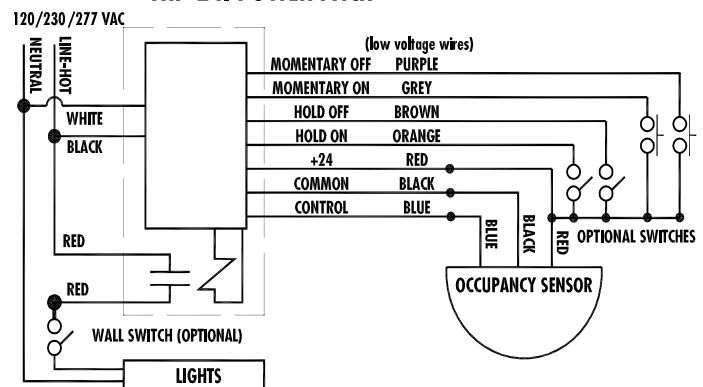
MOUNTING: Box mount to 1/2" KO.

CAT. NO.	UPC CODE	INPUT SUPPLY VAC 50/60Hz	OUTPUT CONTACTS
TRP-24B	98225	120/230/277	SPST
TRP-24I	98227	120/230/277	SPST
LCS115M	82082	Momentary Switch SPST	

TRP-24B POWER PACK



TRP-24I POWER PACK









TORK® IN-WALL TIME SWITCHES

QUICK REFERENCE GUIDE

	SS700Z	SS721Z	SS720A	SS720Z	SA170	701A 711A
Page No.	509	509	511	512	513	514
Timer Type	SunSet 7 Day Digital	SunSet 7 Day Digital	7 Day Digital	SunSet 7 Day Digital	ZipSet Digital	24 Hour Mechanical
Voltage	120/277	120/277	120	120	120	120
Minimum Settings	ON	1 min.	1 min.	1 min.	1 min.	30 min.
	OFF	1 min.	1 min.	1 min.	1 min.	30 min.
Manual Override	Yes	Yes	Yes	Yes	Yes	Yes
 SunSet (Astronomic)	Yes	Yes		Yes	ZipSet	
ON/OFF Set Points	10 Pair	10 Pair	7 Pair	7 Pair	1 Pair	24
Flash Warning						
Audible Warning						
Power Outage Backup	Capacitor	Capacitor	Battery	Battery	Battery	
Switch Type	SPST	SPST	SPST	SPST	SPST	SPST
Resistive Ratings	16A	16A	15A	15A	15A	15 & 20A
 LED Ratings	10A	10A				
Neutral Required for Wiring	No	Yes	Yes	Yes	Yes	Yes
3-Way Wiring	Yes	Yes	No	No	No	No

SS403	SS423	SS410	SS	D1060 D212	A	C
515	515	515	517	518	519	520
Auto OFF Digital	Auto OFF Digital	Auto OFF Digital	Auto OFF Electronic	Auto OFF Electronic	Auto OFF Mechanical	Auto OFF Mechanical
120/277	120/277	24	24/120/208-240/277	120	125/250/277	125/250/277
5 min-24 hr	5 min-24 hr	5 min-24 hr	1 min-18 hr	10-60 min. 2-12 hr	Various 2 min-12 hr	Various 2 min-12 hr
5 min.	5 min.	5 min.	1 min.	10 min.		
Yes	Yes	Yes	Yes			
Yes	Yes	Yes	Yes			
SPST	SPST	SPDT	SPST or SPDT	SPST	SPDT	SPDT or DPST
15A	15A	1A	4A or 7.5A	15A	20/10/10A	20/10/10A
1200W	1200W					
No	Yes	Yes	No	Yes	No	No
Yes	Yes	Yes	SS13 Yes	No	No	No

TORK® SS700Z & SS721Z

SunSet IN-WALL TIMER SUNSET / SUNRISE / 7 DAY



ASHRAE 90.1



With wall plate
(not included)

**BACK-UP
WITHOUT
BATTERIES!**

APPLICATIONS

- Commercial outdoor security lighting
- Interior lobby lighting
- Contactors for fans and motors
- Sign lighting

SPECIFICATIONS

TIMING ACCURACY: Line frequency.

INPUT VOLTAGE: 120/277VAC, 50/60Hz.

WIRE SIZE: #12AWG input/output - #16AWG 3-way (remote).

OPERATING TEMPERATURE: 32 °F to +104 °F (0 °C to + 40 °C).

FEATURES

SCHEDULING: 10 ON and OFF pairs of set points for individual programs on each day of the week. 11 day groups speed programming. Minimum setting is 1 minute.

SunSet ASTRONOMIC: Adjusts daily to changes in sunset times. Sunset and sunrise times are adjustable from 10°-60° Northern or Southern latitudes. Can be individually offset +/- 1-240 minutes for earlier or later operation.

RANDOM MODE: Varies ON and OFF times to create lived in look when away.

DAYLIGHT SAVING: Automatic adjustment (can be omitted).

LEAP YEAR: Automatic Compensation.

MANUAL OVERRIDE: Until the next regularly scheduled ON or OFF, automatic operation then resumes.

MANUAL MODE: Does not run programs until set to AUTO (automatic) mode.

VACATION MODE: No operation when away.

EASY WIRING:

SS700Z does not require a neutral, can be used as a 3-way switch.

SS721Z Requires a neutral, can be used as a 3-way switch.

CLOCK FORMAT: AM/PM.

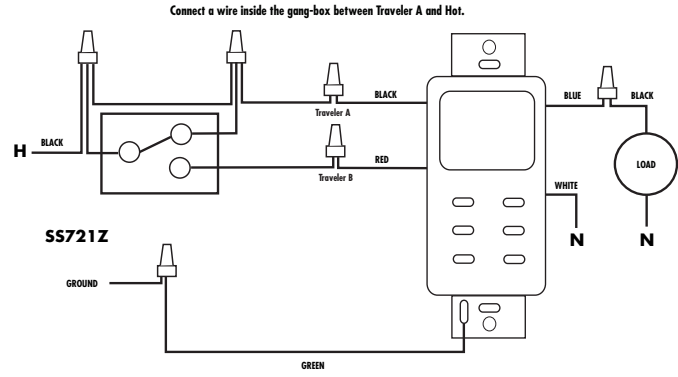
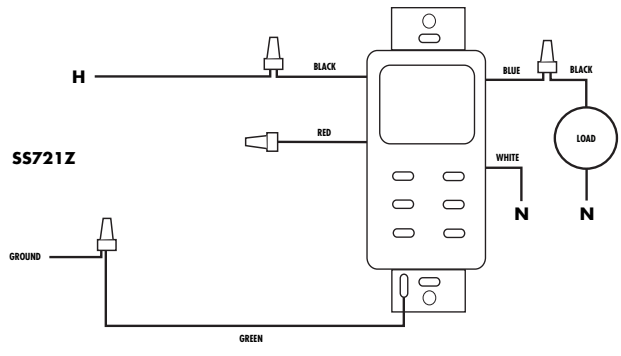
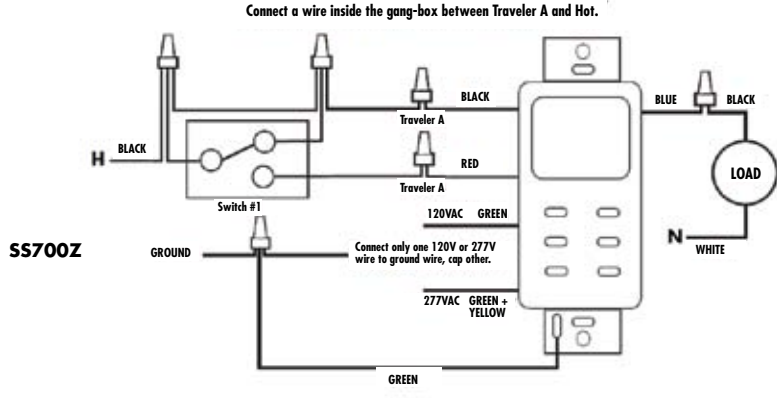
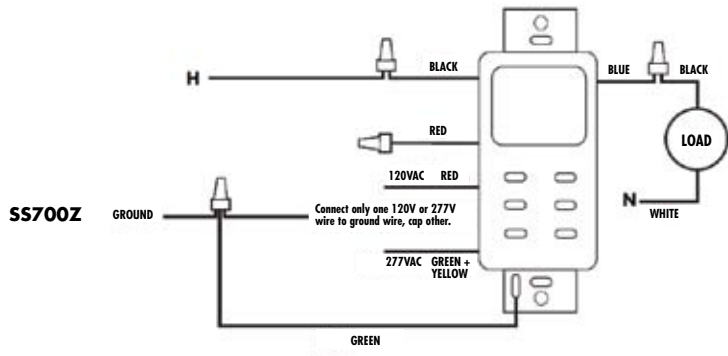
POWER OUTAGE BACKUP: Permanent schedule retention. Supercapacitor provides 2 days of real time backup.

COMMERCIAL GRADE SPECS: Control lighting contactors and 277VAC loads. Compatible with CFL lamps.

FULL SWITCHING: No minimum load requirement.

CAT. NO.	UPC CODE	INPUT SUPPLY (VAC) 50/60 Hz	SWITCH TYPE	COLOR
SS700Z	14019	120/277	SPST	White
SS700ZA	14020	120/277	SPST	Light Almond
SS721Z	14027	120/277	SPST	White
SS721ZA	14028	120/277	SPST	Light Almond

TYPE	SS700Z SERIES		SS721Z SERIES RATINGS
	RATING	VOLTAGE (VAC)	
Resistive	16A	120-277	16A
Ballast	10A	120-277	13A
LED Driver	10A	120-277	10A
Tungsten	8A	120	8A
Pilot Duty	360VA	120	720VA
Motor	1/2HP	120	1/2HP



SS720A SERIES

7 DAY IN-WALL RESIDENTIAL TIMER



APPLICATIONS

- Residential interior lights
- Random for lived-in look
- Small fans and motors
- Appliances

FEATURES

SCHEDULING: 7 ON and OFF pairs of set points for individual programs on each day of the week. Minimum setting is 1 minute.

RANDOM MODE: Varies ON and OFF times to create "lived in" look when away.

DAYLIGHT SAVING: Manual button push for one hour adjustment.

MANUAL OVERRIDE: Until the next regularly scheduled ON or OFF, automatic operation then resumes.

WIRING: Requires a neutral.

CLOCK FORMAT: AM/PM.

POWER OUTAGE BACKUP: Rechargeable Ni-Cad battery retains time and schedule.

WALL PLATE: Supplied with standard single gang decorator wall plate.

SPECIFICATIONS

TIMING ACCURACY: +/- 1 minute/month

INPUT VOLTAGE: 125VAC, 60Hz.

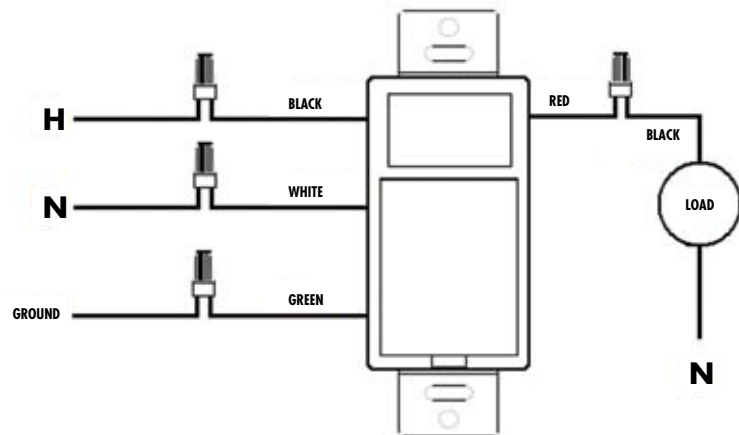
WIRE SIZE: #14AWG.

OPERATING TEMPERATURE: 32 °F to +104 °F (0 °C to +40 °C).

CAT. NO.	UPC CODE	INPUT SUPPLY (VAC) 60 Hz	COLOR
SS720A	14017	120	White
SS720AA	14018	120	Light Almond

TYPE	VOLTAGE (VAC)	RATING
General Purpose	120	15A
Resistive	120	15A
Tungsten	120	15A
Motor	120	1HP
Electronic Ballast	120	500VA

SS720A SERIES



SS720Z

SunSet IN-WALL RESIDENTIAL TIMER SUNSET / SUNRISE / 7 DAY



SPECIFICATIONS

TIMING ACCURACY: +/- 1 minute/month

INPUT VOLTAGE: 120VAC, 60Hz.

WIRE SIZE: #14AWG

OPERATING TEMPERATURE: 32 °F to +104 °F (0 °C to + 40 °C).

APPLICATIONS

- Residential Interior lights
- Small fans and motors
- Appliances



FEATURES

SCHEDULING: 7 ON and OFF pairs of set points for individual programs on each day of the week. Minimum setting is 1 minute.

SunSet ASTRONOMIC: Adjusts daily to changes in sunset times. Sunset and sunrise times with five zones: North USA/Southern Canada, Central USA, South USA, Northern Canada/Alaska, and Hawaii/Puerto Rico.

RANDOM MODE: Varies ON and OFF times to create "lived in" look when away.

DAYLIGHT SAVING: Automatic adjustment (can be omitted).

LEAP YEAR: Automatic Compensation.

MANUAL OVERRIDE: Until the next regularly scheduled ON or OFF, automatic operation then resumes.

WIRING: Requires a neutral.

CLOCK FORMAT: AM/PM.

POWER OUTAGE BACKUP: Rechargeable Ni-Cad battery retains time and schedule.

WALL PLATE: Supplied with standard single gang decorator wall plate.

CAT. NO.	UPC CODE	INPUT SUPPLY (VAC) 60 Hz	COLOR
----------	----------	--------------------------	-------

SS720Z	14023	120	White
--------	-------	-----	-------

TYPE	VOLTAGE (VAC)	RATING
------	---------------	--------

General Purpose	120	15A
-----------------	-----	-----

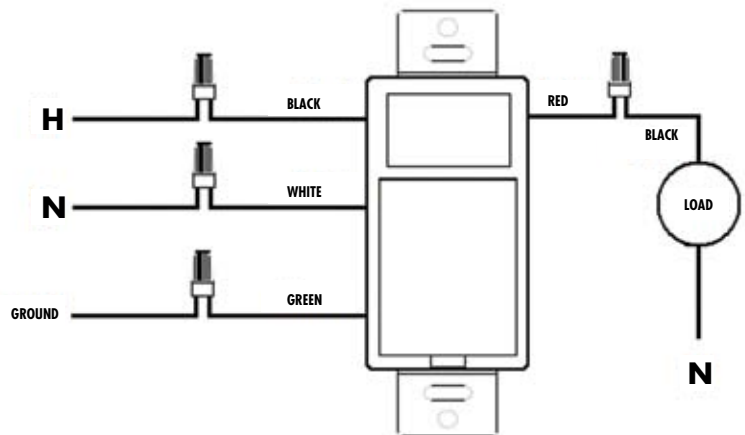
Resistive	120	15A
-----------	-----	-----

Tungsten	120	960W
----------	-----	------

Motor	120	½HP
-------	-----	-----

Electronic Ballast	120	500VA
--------------------	-----	-------

SS720Z



SA170 SERIES

Zip-Set™ IN-WALL

**RESIDENTIAL TIMER
SUNSET / TIME OFF**



*Wall plate not included

SPECIFICATIONS

TIMING ACCURACY: +/- 1 minute/month

INPUT VOLTAGE: 120VAC, 60Hz.

WIRE SIZE: #14AWG.

OPERATING TEMPERATURE: 32 °F to +104 °F (0 °C to +40 °C).

APPLICATIONS



- Residential Exterior lights
- Small fans and motors
- Appliances

FEATURES

Zip-Set™ factory preset time. Just enter area code and it finds correct time and sunset time.

SCHEDULING: One On/Off set point pair is active at a time. Schedule 1, Schedule 2, a combination of 1 & 2, or ZipSet™. Day combinations for 7-5-2 speed programming.

RANDOM MODE: Varies ON and OFF times to create "lived in" look when away.

COUNTDOWN: Button press turns lights ON and starts a 5 minute countdown to OFF.

DAYLIGHT SAVING: Manual button push for one hour adjustment.

MANUAL OVERRIDE: Until the next regularly scheduled ON or OFF, automatic operation then resumes.

WIRING: Requires a neutral.

CLOCK FORMAT: AM/PM.

POWER OUTAGE BACKUP: Lithium batteries retain time and schedule.

CAT. NO.	UPC CODE	INPUT SUPPLY (VAC) 60 Hz	COLOR
----------	----------	--------------------------	-------



SA170	16528	120	White
-------	-------	-----	-------

TYPE	VOLTAGE (VAC)	RATING
------	---------------	--------

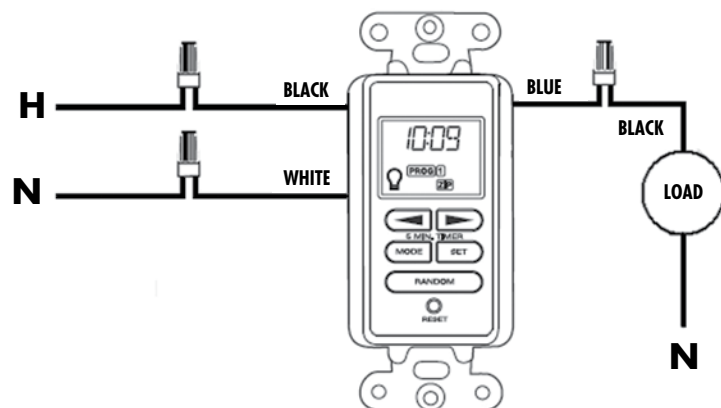
Resistive	120	15A
-----------	-----	-----

Inductive	120	15A
-----------	-----	-----

Tungsten	120	5A
----------	-----	----

Motor	120	1/2 HP
-------	-----	--------

SA170 SERIES



701A & 711A SERIES 24 HOUR IN-WALL TIMER



SPECIFICATIONS

INPUT VOLTAGE: 125VAC, 60Hz.

WIRE SIZE: #14AWG.

OPERATING TEMPERATURE:
32 °F to +104 °F (0 °C to +40 °C).

APPLICATIONS

- Porch or patio
- Doorway
- Pool
- Outdoor security lighting



FEATURES

SCHEDULING: Minimum ON setting is 30 minutes. Dial has 48 captive trippers.

BYPASS SWITCH: Slide switch for ON, OFF, or TIMER (automatic) operation.

VACATION MODE: Set timer OFF with no change of tripper settings.

WIRING: Requires a neutral.

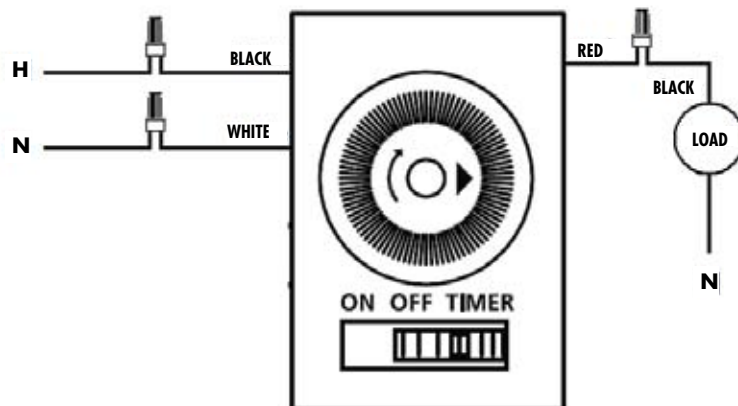
CLOCK FORMAT: AM/PM marked on dial.

WALL PLATE: Supplied with single gang wallplate.

CAT. NO.	UPC CODE	INPUT SUPPLY (VAC) 60 Hz	COLOR
701A	10113	125	White
701AA	10118	125	Light Almond
711A	10114	125	White

TYPE	VOLTAGE (VAC)	RATING	
		701A SERIES	711A SERIES
General Purpose	125	20A	15A
Resistive	125	20A	15A
Tungsten	125	1500W	1250W
Motor	125	1 HP	1/2 HP
Electronic Ballast	125	500VA	-

701A & 711A



SS400 SERIES DIGITAL AUTO OFF IN-WALL TIMER



CALIFORNIA Title 24

ASHRAE 90.1



PROGRAMMABLE!

APPLICATIONS



- Offices, meeting rooms
- Energy code timed override
- Exhaust fans
- Equipment room and storage spaces

SS400 Series
*Wall plate included

SPECIFICATIONS

TIMING ACCURACY: Line Frequency

INPUT VOLTAGE: SS403/SS423 – 120/230/277VAC 50/60 Hz
SS410 – 24VDC OR 24VAC 50/60 Hz

WIRE SIZE: SS403/SS423 – #14AWG input/output - #16AWG 3-way (remote)
SS410 – #18AWG

OPERATING TEMPERATURE: 32 °F to +104 °F (0 °C to + 40 °C)

WARRANTY: 5 Yrs.

FEATURES

WIRING CHOICES:

- SS403 – no neutral for retrofit
- SS423 – with neutral for new construction
- SS410 – multiple circuits with power packs – low voltage for class 2 wiring

ENERGY CODE PRESET: 2 hour timing for Title 24 and IECC (default). 4 hour timing for ASHRAE 90.1 (with quick dip switch adjustment)

PROGRAMMABLE: 5 minutes to 24 hour: 5 minute steps from 5 minutes to 1 hour. 10 minute steps from 1 to 4 hours. 30 minute steps from 4 to 12 hours. 1 hour steps from 12 to 24 hours.

SCROLL LOCK: Limits user adjustment to a maximum equal to the preset time.

FLASH WARNING: Optional one second flicker turns load off/on 2 minutes before end of time cycle.

BEEPER WARNING: Optional beep will sound every 15 seconds during the last 2 minutes of the time cycle.

TAMPER RESISTANT: Wall plate locks access to dip switch adjustments.

MANUAL OPERATION: Start or stop countdown from timer or remote switch.

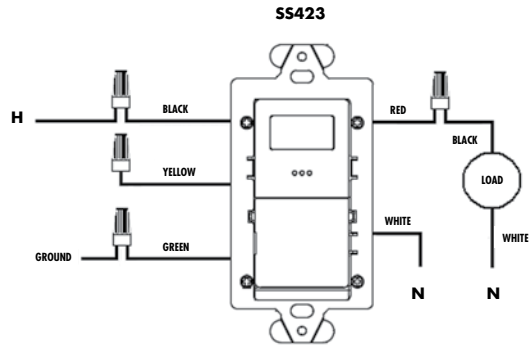
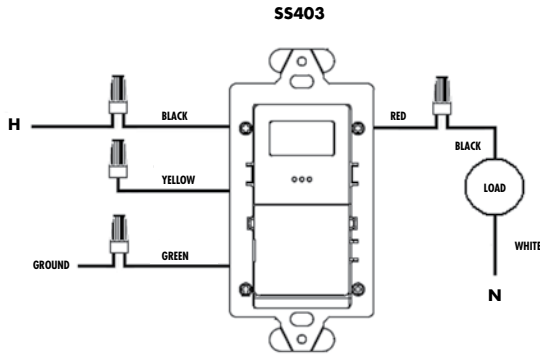
THREE-WAY & MULTI-WAY: Three-way compatible with existing switch. Multi-way requires momentary switches at the additional locations. Maximum distance 100 feet.

DISPLAY: Backlit LCD Display.

COLOR: White (single gang decorator wall plate included).

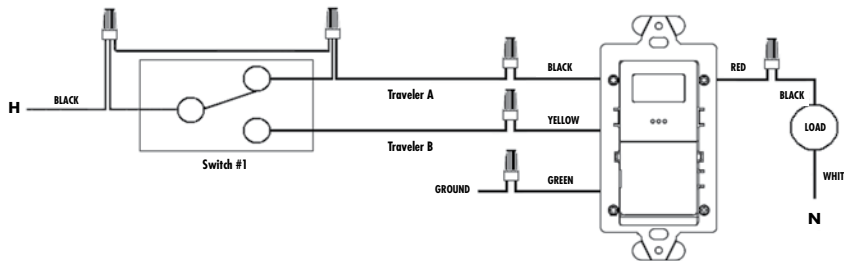
CAT. NO.	UPC CODE	INPUT SUPPLY (VAC) 50/60 Hz	SWITCH TYPE	COLOR
SS403	14029	120/230/277	SPST	White
SS423	14030	120/230/277	SPST	White
SS410	14033	24VDC or 24VAC	SPDT	White

TYPE	VOLTAGE	SS403 RATING	VOLTAGE (VAC)	SS423 RATING
Resistive	120-277VAC	15A	120-277	15A
Ballast	120-277VAC	10A	120-277	13A
LED Lamp Driver	120-277VAC	1200W	120-277	1200W
Tungsten	120VAC	8A	120	8A
Pilot Duty	120VAC	360VA	120-277	720VA
Motor	120VAC	1/4HP	120-277	1HP
SS410				
VOLTAGE	RATING	VOLTAGE (VAC)		RATING
28VDC	.5A Max	24		1A Max
Minimum Load 1ma @ 5V				



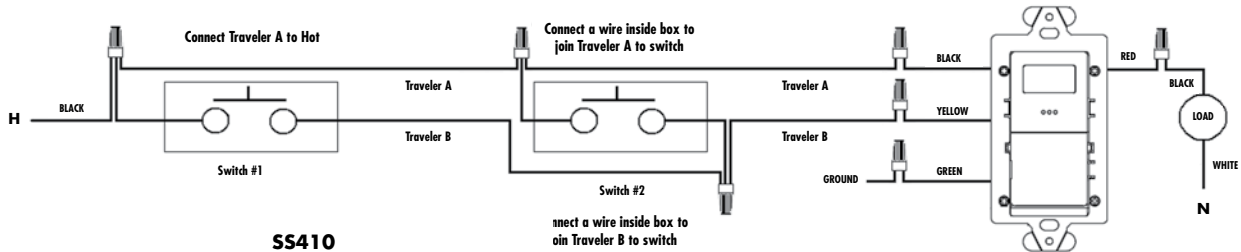
SS403 Wiring for 3-Way

Connect a wire inside the gang-box between Traveler A and Hot.

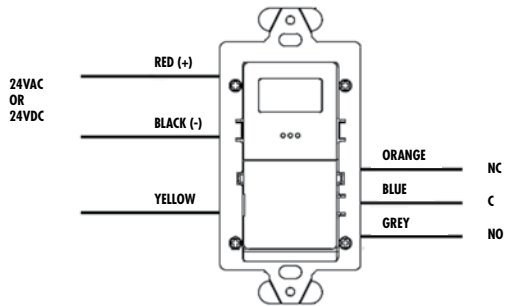


SS403 Wiring for 4-Way

Use momentary switches at all additional locations.
TORK #LCS115M

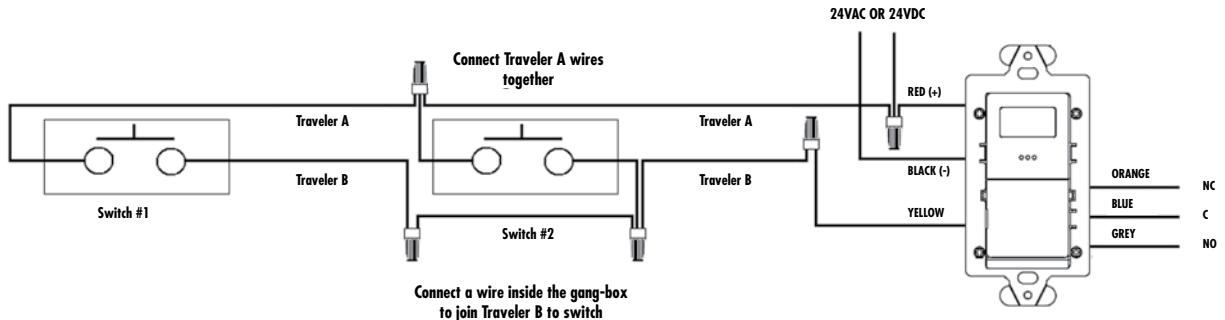


SS410



SS410 Wiring for 4-Way

Use momentary switches at all additional locations.
TORK #LCS115M



SS SERIES

AUTO OFF IN-WALL TIMER



SPECIFICATIONS

TIMING ACCURACY:

±5% @ 60° to 80°F.

INPUT VOLTAGE:

24/120/208-240/277VAC, 50/60Hz.

WIRE SIZE: #18AWG.

OPERATING TEMPERATURE:

0 °F to +100 °F (-17 °C to +37 °C).

APPLICATIONS



- Bathroom fans and lights
- Indoor/Outdoor lighting
- Storage areas
- Hospitality areas

CAT. NO.	UPC CODE	INPUT SUPPLY (VAC) 50/60Hz	WARNING BEFORE TIME OUT	SWITCH TYPE
SS20	14005	24/120/208-240/277	None	Single pole
SS20F	14008	24/120/208-240/277	*Flicker	Single pole
SS13F	14007	24/120/208-240/277	*Flicker	3-way
SS13B	14006	24/120/208-240/277	**Beep	3-way

*Flicker feature turns load OFF for ½ second, 2 minutes before end of timed cycle and again 1 minute before end of timed cycle.

**Beep feature will begin a ½ second audible warning every 12 seconds during the last 2 minutes of timed cycle.

FEATURES

VARIABLE TIMING: Choose from 1 minute to 18 hours.

FLASH WARNING: "F" suffix models with flicker feature turns load off for 1/2 second, 2 minutes before end of timed cycle and again 1 minute before end of timed cycle.

AUDIBLE WARNING: "B" suffix model will buzz that every 12 seconds during the last 2 minutes of timed cycle.

TAMPER RESISTANT: Time ON interval preset is hidden behind wall plate.

EASY SET: Small screw driver adjustment provides quick set-up of timing.

EASY WIRING: No neutral needed, great for retrofit.

3-WAY: SS13 SERIES replaces standard 3-way switch with no re-wiring.

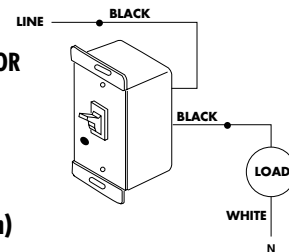
COLOR: White.

TYPE	CONTACT RATINGS	MINIMUM LOAD	
		VOLTS	WATTS
SS13F & SS13B	.25-4.0A Resistive	24	6
	.25-4.0A Ballast*	120	30
	.25-4.0A Tungsten	208	50
	1/8 HP @ 120VAC	240	60
	1/3 HP @ 240VAC	277	70
SS20 & SS20F	.50-7.25A Resistive	24	12
	.50-7.25A Ballast*	120	60
	.50-4.0A Tungsten	208	105
	1/6 HP @ 120VAC	240	120
	1/2 HP @ 240VAC	277	150

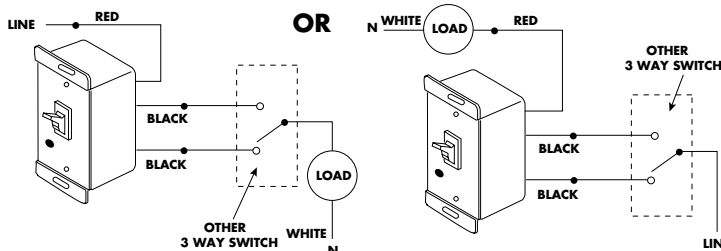
*Not compatible with compact fluorescent lamps (CFL) and electronic fluorescent ballasts.

SS SERIES

TYPICAL WIRING FOR 120 VAC SINGLE POLE



TYPICAL WIRING FOR 120 VAC – 3 WAY (Red is common)



D SERIES

ELECTRONIC AUTO OFF IN-WALL TIMER



SPECIFICATIONS

TIMING ACCURACY: Line voltage.

INPUT VOLTAGE: 120VAC, 60Hz.

WIRE SIZE: #14AWG.

OPERATING TEMPERATURE:
32 °F to 122 °F (0 °C to 50 °C).

APPLICATIONS

- Whole house fans
- Indoor/Outdoor lighting
- Bathroom fans and lights
- Self storage



FEATURES

VARIABLE TIMING:

Button push changes time ON setting.

D1060M: 10, 20, 30, 60 minute.

D212H: 2, 4, 8, 12 hour.

LED DISPLAY: Indicator moves to new range as timer counts down.

TAMPER RESISTANT: Time ON interval preset.

EASY SET: No adjustments, just wire and go!

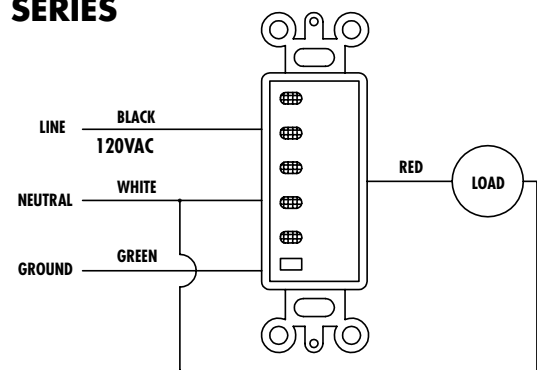
WIRING: Requires a neutral.

THREE COLORS: Ivory, Light Almond, White.

CAT. NO.	UPC CODE	INPUT SUPPLY (VAC) 60Hz	TIME SETTINGS	OUTPUT CONTACTS
D212H	14021	120	Ivory	2, 4, 8, 12 HOURS
D212HA	14022	120	Light Almond	2, 4, 8, 12 HOURS
D212HW	14023	120	White	2, 4, 8, 12 HOURS
D1060M	14025	120	Ivory	10, 20, 30, 60 MINUTES
D1060LA	14024	120	Light Almond	10, 20, 30, 60 MINUTES
D1060MW	14025	120	White	10, 20, 30, 60 MINUTES

TYPE	VOLTAGE (VAC)	RATING
General Purpose	120	15A
Resistive	120	1000W
Tungsten	120	1000W
Motor	120	1/4 HP
Ballast	120	1000VA

D SERIES



A SERIES SPRINGWOUND AUTO OFF IN-WALL TIMER



NEW!
SPDT, 2 IN 1
CONTACTS

SPECIFICATIONS

INPUT VOLTAGE:
125/250/277VAC, 50/60Hz.

TERMINAL SIZE: #12AWG.

OPERATING TEMPERATURE:
32 °F to 122 °F (0 °C to 50 °C).

APPLICATIONS



- Whole house fans
- Indoor/Outdoor lighting
- Bathroom fans and lights
- Self storage

*Wallplate not included

FEATURES

VARIABLE TIMING: Twist knob for time ON setting. Time ON lengths from 15 minutes to 12 hour vary by model.

HOLD FEATURE: Some models have position for constant ON.

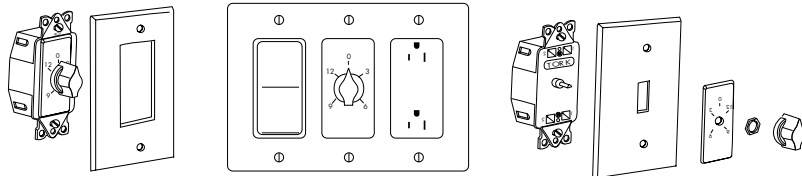
EASY SET: No adjustments. Just wire and go!

EASY WIRING: No neutral required. Great for retrofit! Use as single or in multi-gang box with no de-rating.

SWITCH TYPE: SPDT "2 in 1" contacts wire has SPST also. Can wire as normally on and countdown while off.

COLOR: Ivory, Light Almond, White.

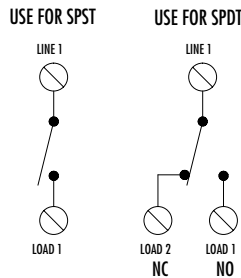
WALL PLATE: Fits standard or decorator style wall plates, see below (not included).



CAUTION: This timer is not to be used in precision timing applications where inaccurate timing could have dangerous consequences (i.e. sun lamp, sauna, etc.).

CAT. NO.	UPC CODE	HOLD FEATURE	COLOR
15 MINUTE MAX.			
A515MH	15020	With Hold	Ivory
A515MHW	15120		White
A515M	15013		Ivory
A515MW	15113	No Hold	White
A515MA	15127		Light Almond
30 MINUTE MAX.			
A530MH	15021	With Hold	Ivory
A530MHW	15121		White
A530M	15014		Ivory
A530MW	15114	No Hold	White
A530MA	15128		Light Almond
60 MINUTE MAX.			
A560MH	15022	With Hold	Ivory
A560MHW	15122		White
A560M	15015		Ivory
A560MW	15115	No Hold	White
2 HOUR MAX.			
A502HHW	15123	With Hold	White
A502H	15016	No Hold	Ivory
A502HW	15116		White
6 HOUR MAX.			
A506HHW	15125	With Hold	White
A506H	15018	No Hold	Ivory
A506HW	15118		White
12 HOUR MAX.			
A512HH	15026	With Hold	Ivory
A512HHW	15126		White
A512H	15019		Ivory
A512HW	15119	No Hold	White

TYPE	VOLTAGE (VAC)	RATING
Resistive	125	20A
	250	10A
	277	10A
Inductive	125	20A
	250	10A
	277	10A
Tungsten	125	7A
Motor	125	1HP
	250	2HP



C SERIES

COMMERCIAL STYLE SPRINGWOUND AUTO OFF IN-WALL TIMER



*Wallplate included

NEW!
**SPDT, 2 IN 1
CONTACTS**

SPECIFICATIONS

INPUT VOLTAGE:
125/250/277VAC, 50/60Hz.

TERMINAL SIZE: #12AWG.

OPERATING TEMPERATURE:
32 °F to 122 °F (0 °C to 50 °C).

APPLICATIONS

- Ventilating fans
- HVAC
- Whirlpools
- Self storage
- Motors and pumps



FEATURES

VARIABLE TIMING: Twist knob for time ON setting. Time ON lengths from 15 minutes to 12 hour vary by model.

HOLD FEATURE: Some models have position for constant ON.

EASY SET: No adjustments. Just wire and go!

EASY WIRING: No neutral required. Great for retrofit!

SWITCH TYPE: SPDT "2 in 1" contacts wire as SPST also, except C460M and C412H are DPST. Can wire normally on and countdown while off.

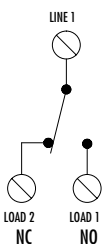
COLOR: Metal-brushed aluminum.

WALL PLATE: Includes real metal wall plate with screw mounting, to add extra security for commercial applications.

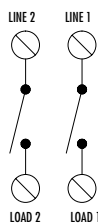
USE FOR SPST



USE FOR SPDT



USE FOR DPST



CAUTION: This timer is not to be used in precision timing applications where inaccurate timing could have dangerous consequences (i.e. sun lamp, sauna, etc.).

TYPE	VOLTAGE (VAC)	RATING
Resistive	125	20A
	250	10A
	277	10A
Inductive	125	20A
	250	10A
	277	10A
Tungsten	125	7A
Motor	125	1HP
	250	2HP

CAT. NO.	UPC CODE	HOLD FEATURE
15 MINUTE MAX.		
C515M	15501	No Hold
30 MINUTE MAX.		
C530M	15503	No Hold
60 MINUTE MAX.		
C560M	15505	No Hold
C560MH	15506	With Hold
C460M*	15011	No Hold
2 HOUR MAX.		
C502H	15507	No Hold
6 HOUR MAX.		
C506H	15511	No Hold
12 HOUR MAX.		
C512H	15513	No Hold
C512HH	15514	With Hold
C412H*	15010	No Hold

*DPST switch type.





TORK® PLUG-IN TIMERS

400B SERIES INDOOR PLUG-IN MECHANICAL TIMERS

NEW!

APPLICATIONS



- Automatically turn ON/OFF items in the home.
- Control lamps, radios, televisions, appliances.
- Give the home a "lived in" look while away.
- Save energy and provide security.



403B



402B



405B

FEATURES

REPEAT SCHEDULE: Daily.

VARIABLE TIMING: Multiple ON/OFF times.

ON/OFF: Manual ON/TIMER switch.

CAT. NO.	UPC CODE	RATINGS	NO. OF OUTLETS (▶)	TYPE OF PLUG	DESCRIPTION	VARIABLE TIMING SEGMENTS
403B	16085	125VAC 15A 1875W Resistive 125VAC 500W Tungsten	1	Polarized	Basic Lighting Timer	30 minute
402B	16091	125VAC 500VA Electronic Ballast 125VAC 1/3 HP Motor	1	Grounded	Heavy Duty 24 hour Timer	30 minute
405B	16094	125VAC 15A 1875W Resistive 125VAC 500W Tungsten 125VAC 500VA Electronic Ballast 125VAC TV-4	2	Grounded	Two Outlet Automatic Timer	30 minute

NOTE: "▲" = Indicates outlet location.

SA 100 SERIES INDOOR PLUG-IN MECHANICAL TIMERS

NEW!

APPLICATIONS



- Automatically turn ON/OFF items in the home.
- Control lamps, radios, televisions, appliances.
- Give the home a "lived in" look while away.
- Save energy and provide security.



SA011



SA100



SA105



SA110

FEATURES

REPEAT SCHEDULE: Daily.

VARIABLE TIMING: Multiple ON/OFF times.

ON/OFF: Manual ON/TIMER switch.

CAT. NO.	UPC CODE	RATINGS	NO. OF OUTLETS (▶)	TYPE OF PLUG	DESCRIPTION	VARIABLE TIMING SEGMENTS
SA011	16501	120VAC 15A Resistive, 120VAC 15A Inductive, 120VAC 1800W Tungsten, 120VAC 1/2HP Motor	1	Polarized	Lamp Timer with LED night light	Two Pair of On/Off trippers
SA100	16507		1	Polarized	Basic Timer with cover to hide dial	15 Minutes
SA105	16510	120VAC 15A Resistive 120VAC 15A Inductive 120VAC 1800W Tungsten	1 Timed 1 Untimed	Polarized Polarized	Table Top Timer for easy access with 6 foot cord	15 Minutes
SA110	16513		1 Timed 1 Untimed	Grounded Polarized	Heavy Duty Appliance Timer with cover to hide dial	15 Minutes

NOTE: "▲" = Indicates outlet location.

SA100 & 400E SERIES INDOOR DIGITAL PLUG-IN TIMERS

APPLICATIONS

- Automatically turn ON/OFF items in the home.
- Vary schedules daily.
- Give the home a "lived in" look while away.
- Save energy and provide security.



FEATURES

SA134 & SA130:

24 hour programming.
Battery Back-up for power outages.

460E, 454E & 455E:

7 day programming.
Random feature for lived in look.
Manual Daylight Savings.
Battery Back-up for power outages.

SunSet TIMER 457Z:

- Sunset On with 7 day programmable Off or sunrise Off.
- Random feature for lived in look.
- Automatic Daylight Savings.
- Battery Back-up for power outages.
- Never come home to a dark house.



CAT. NO.	UPC CODE	RATINGS	NO. OF OUTLETS (▶)	TYPE OF PLUG	DESCRIPTION	VARIABLE TIMING SEGMENTS
SA134	16522	120VAC 8.3 amp Resistive 120VAC 600W Tungsten	1	Polarized	Easy Set 24 hour daily repeat timer	2 On/Off Settings
SA130	16519	120VAC 1.5A Resistive, 120VAC 1.5A Inductive, 120VAC 500W Tungsten 120VAC 1/2 HP Motor	1 Timed 1 Untimed	Polarized	Easy Set Lamp Timer with cover to hide buttons	2 On/Off settings. 1 setting may be active at a time
460E	16097	125VAC 1.5A 1875W Resistive, 125VAC 1000W Tungsten, 125VAC 500VA Electronic Ballast, 1/3 HP Motor	1	Polarized	Seven Day Programmable	
454E	16100		1	Grounded	Seven Day Programmable	20 ON/OFFs Different schedule for each day of the week. Multiple ON/OFFs
455E	16103	120VAC 1.5A 1800W Resistive, 120VAC 960W Tungsten, 120VAC 500VA Electronic Ballast, 1/2 HP	2	Grounded	Seven Day Programmable	
457Z	16016	125VAC 1.5A General Purpose 125VAC 1.5A Resistive 125VAC 1000W Tungsten	2	Grounded	SunSet™ Timer Dusk to Dawn with automatic daylight savings	

NOTE: "▶" = Indicates outlet location.

SA200 & SA500 SERIES WIRELESS PLUG-IN CONTROLS



APPLICATIONS



- Remotely turn ON/OFF items.
- Control lamps, radios, appliances, outdoor lighting.
- Safety: enter and leave rooms in full light.
- Provide a convenient control from your chair.



SA500



SA230

FEATURES

INDOOR REMOTE OUTLET - SA500:

- Control indoor outlet up to 80' away.
- Transmitter has 3 pair ON/OFF buttons to allow independent control of 3 receivers.
- Match receiver and outlet with simple dial. No fussy programming.
- Get one for each room. No cross talk.
- Wireless control without moving across room.

OUTDOOR REMOTE OUTLET - SA230:

- Control indoor outlet up to 80' away.
- Matched receiver and outlet. No programming.
- Transmitter has 1 pair ON/OFF button.
- Wireless control from the comfort of inside.

CAT. NO.	UPC CODE	RATINGS	NO. OF OUTLETS (▶)	TYPE OF PLUG	DESCRIPTION	VARIABLE TIMING SEGMENTS
SA500	16555	125VAC 8A Resistive 125VAC 625W Tungsten	1	Grounded	Indoor Remote Controlled Outlet	Manual On/Off with push button transmitter
SA230	16564	125VAC 8A Resistive 125VAC 600W Tungsten	2	Grounded	Outdoor Remote Controlled Outlet	Manual On/Off with push button transmitter

NOTE: "▲" = Indicates outlet location.

600B & SA200 SERIES OUTDOOR PLUG-IN MECHANICAL TIMERS

NEW!



▲ ▲
602B



▲ ▲
652B



▲ ▲
SA205

APPLICATIONS



- Automatically turn ON/OFF outdoor lighting.
- Save energy. Don't run lights all night.
- Match dusk ON with light activated timer.

FEATURES

MECHANICAL TIMERS:

TIMER REPEAT SCHEDULE: Daily.

VARIABLE TIMING: Multiple ON/OFF times.

MANUAL SWITCH: ON or TIMER mode.

LIGHT ACTIVATED TIMERS:

TIMER REPEAT SCHEDULE: Daily turns on at dusk.

VARIABLE TIMING: Dial turn to choose a countdown time to turn Off hours after dusk.

CAT. NO.	UPC CODE	RATINGS	NO. OF OUTLETS (▶)	TYPE OF PLUG	DESCRIPTION	VARIABLE TIMING SEGMENTS
602B	16106	125VAC 15A Resistive 125VAC 500W Tungsten 125VAC 500VA Electronic Ballast 125VAC 1/3 HP Motor	2	Grounded	Outdoor Lighting Timer	30 Minutes
SA205*	16534	120VAC 15A Resistive 120VAC 15A Inductive 120VAC 1800W Tungsten 120VAC 1800W Incandescent 120VAC 1/2 HP Motor	1 Timed 1 Untimed	Grounded	Landscape Timer	15 Minutes
652B	16108	125VAC 15A General Purpose 125VAC 15A Resistive 125VAC 1000W Tungsten 125 VAC 500VA Electronic Ballast 125VAC 1/3 HP, TV-5	2	Grounded	Light Activated Outdoor Lighting Timer	Turns on at Dusk and countdown Off 2, 4, 6 or 8 hours later

* ETL listed for U.S. and Canada.



NOTE: "▲" = Indicates outlet location.

600E & SA200 SERIES OUTDOOR PLUG-IN DIGITAL TIMERS

NEW!

APPLICATIONS



- Automatically turn ON/OFF outdoor lighting.
- Save energy. Don't run lights all night.
- Match dusk ON with light activated timer.



FEATURES

DIGITAL TIMER:

- 7 day programming
- Manual Daylight Savings
- Random feature for lived in look
- Battery Back-up for power outages

LIGHT ACTIVATED TIMERS:

TIMER REPEAT SCHEDULE: Daily turns on at dusk.

VARIABLE TIMING: Choose a countdown time to turn Off from 1 to 9 hours after dusk.

654A USER SELECT MODE: Start countdown at any time and repeats daily.

CAT. NO.	UPC CODE	RATINGS	NO. OF OUTLETS (▶)	TYPE OF PLUG	DESCRIPTION	VARIABLE TIMING SEGMENTS
642E	16110	125VAC 15A Resistive 125VAC 1000W Tungsten 125VAC 500VA Electronic Ballast 125VAC 1/3 HP Motor	2	Grounded	Outdoor Lighting Timer	30 minutes
654E	16113	125VAC 15A Resistive 125VAC 1000W Tungsten 125VAC 500VA Electronic Ballast 125VAC 1/3 HP TV-5	2	Grounded	Light Activated Outdoor Lighting Timer	Turns on at Dusk and countdown off 1 through 9 hours later
SA204*	16561	120VAC 8A Resistive 120VAC 600W Tungsten	2	Grounded	Light Activated Landscape Timer	

* ETL listed for U.S. and Canada.



NOTE: "▲" = Indicates outlet location.

SA200 SERIES OUTDOOR PLUG-IN STAKE TIMERS

NEW!

APPLICATIONS



- Automatically turn ON/OFF outdoor lighting.
- Save energy. Don't run lights all night.
- Multiple outlets for holiday lighting.



FEATURES

REPEAT SCHEDULE: Daily.

VARIABLE TIMING: Multiple ON/OFF times.

MANUAL SWITCH: ON or TIMER mode.

POWER CORD: 18" length.

CAT. NO.	UPC CODE	RATINGS	NO. OF OUTLETS (>)	TYPE OF PLUG	DESCRIPTION	VARIABLE TIMING SEGMENTS
SA215	16540	125V 15A Resistive 125V 1250W Tungsten 125V 1/2 HP Motor	6	Grounded	Holiday Décor Stake Timer	30 minutes

NOTE: "▲" = Indicates outlet location.

SA200 SERIES

OUTDOOR **Zip-Set™**

DIGITAL PLUG-IN TIMERS

NEW!



APPLICATIONS

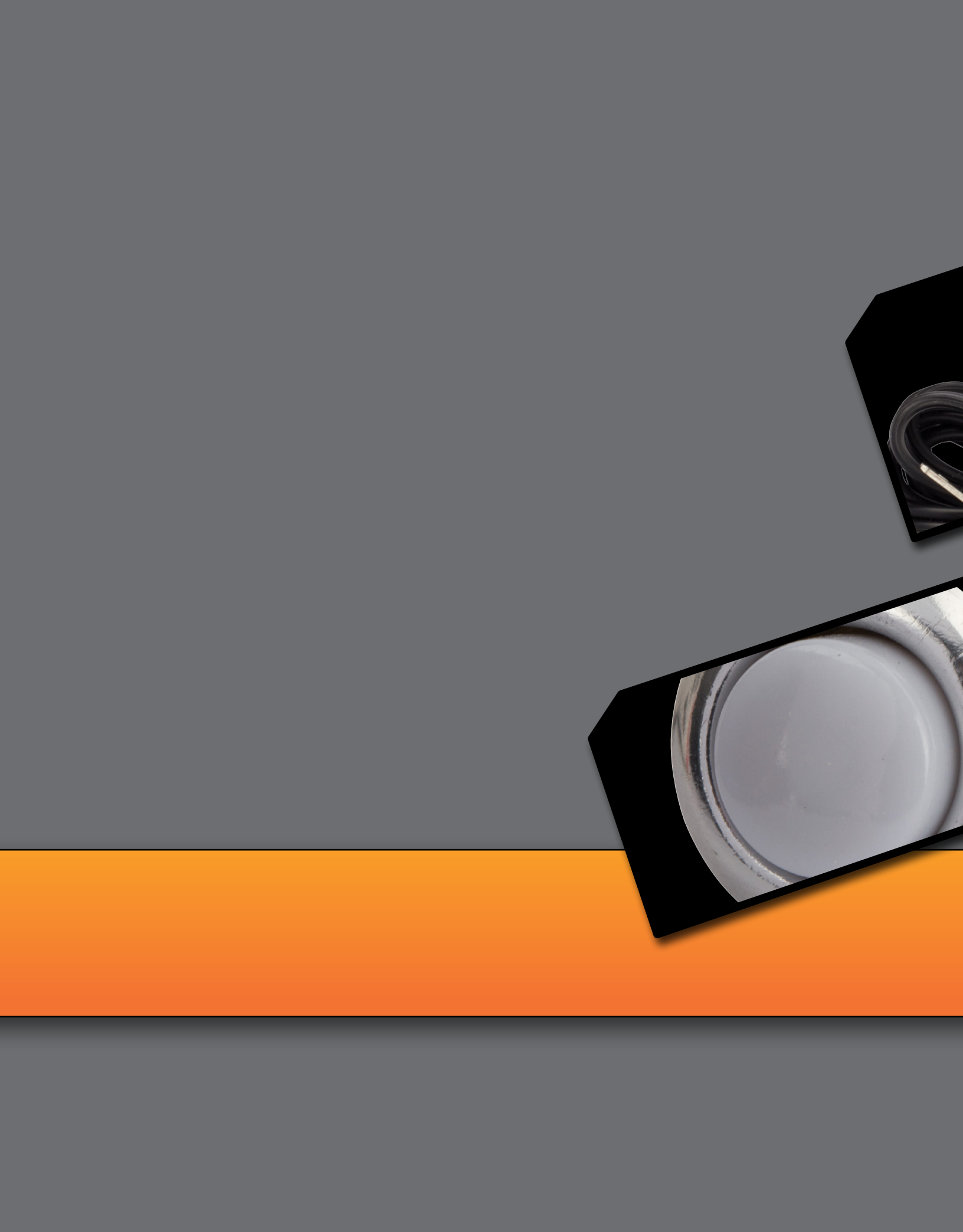


- Automatically turn ON/OFF outdoor lighting.
- Save energy. Don't run lights all night.
- Match dusk ON everyday.

FEATURES

- Fast programming with ZIP-SET™ One-Step™ set-up. Just enter your area code.
- ZIP-SET™ turns lights ON at sunset & OFF at countdown or preset time.
- 7-5-2 settings for full week, weekdays, and weekends.
- Option to set with one of three on/off programs.
- Manual Daylight Savings.
- Random feature for lived in look.
- Battery Back-up for power outages.
- Power Cord: SA210 18" & SA220 24".

CAT. NO.	UPC CODE	RATINGS	NO. OF OUTLETS	TYPE OF PLUG	DESCRIPTION	VARIABLE TIMING SEGMENTS
SA210	16537	120VAC 15A Resistive 120VAC 15A Inductive 120VAC 1000W Tungsten 120VAC 1/4 HP Motor	2 Timed 1 Untimed	Grounded	Zip-Set™ Outdoor Living Wall Mount Timer	Sunset On and countdown hours to Off or same fixed time off each day
SA220	16534	120VAC 15A Resistive 120VAC 15A Inductive 120VAC 600W Tungsten 120VAC 1/4 HP Motor	6 Timed 1 Untimed	Grounded	Zip-Set™ Outdoor Lighting Stake Timer	Sunset On and countdown hours to Off or same fixed time off each day





TORKALERT™ SIGNALING DEVICES

MECHANICAL STROBE HORNS



TA880-N5

TA5508H-G1



APPLICATIONS

- High performance for industrial signaling applications. Offers high sound output, low current draw and dependable operation. Strobes use xenon flashtube, ideal for maximum efficiency and reliability.

FEATURES

ALARM: Penetrating mechanical sound.

WIRING: Low current draw. Horn may be wired separately

MOUNTING: 4" square surface mounting.

CAT. NO.	UPC CODE	INPUT VOLTAGE	INPUT CURRENT (AMPS)	dB @10 FEET	CANDELA
TA880-N5	96015	120VAC	0.115	96	15
TA5508H-G1	96071	24VDC	.059	strobe only	15/75

NOTE: TA880-N5 For outdoor use, unit must be mounted in a TA-WBBF outdoor backbox. See page 550 for ordering. TA5508H-G1 for indoor mounting only.

MECHANICAL HORNS



APPLICATIONS

- Loud tone with typical decibel output of 87dB at 10 feet. Low frequency resonance for strong penetration of noisy areas like boiler rooms, water pumping stations, elevators and air compressor rooms.

FEATURES

INPUT VOLTAGE: Wide input voltage ratings for compatibility with unregulated power supplies.

WIRING: Screw terminals for convenient IN/OUT wiring. Low current draw for minimizing power supply and wiring cost.

HOUSING: Steel, painted Dawn Mist. Resonant grill design for high sound output.

MOUNTING: To indoor box TA-BBSF or outdoor box TA-WBBF, see accessories page 576.

CAT. NO.	UPC CODE	INPUT VOLTAGE	INPUT CURRENT (AMPS)
SURFACE TYPE			
TA874-N5	96023	120VAC, 60Hz	0.070
TA874-N5R (Red)	97613	120VAC, 60Hz	0.070
TA875-G1	97687	24VDC	0.035
WITH WEATHERPROOF BACKBOX TA-WBBF UL LISTED FOR OUTDOOR USE			
TA876-N5	96026	120VAC, 60Hz	0.070

NOTE: Use TORK signal timers for 24 hour or 7 day scheduling, see page 485.

MULTI-TONE ELECTRONIC HORNS

24VDC & 115VAC



TA875-1G1
cUL_{us}

TA-MTS
UL

APPLICATIONS

- For indoor and outdoor use. Superior sound penetration for various room conditions. Screw terminals accept #12AWG.

FEATURES

OPERATING TEMPERATURE:

TA-MTS: -31°F to +150°F (-35°C to +66°C).

DIMENSIONS AND MOUNTING:

TA-MTS: 4 1/8"H x 4 1/8"W x 3 17/32"D

Can be mounted on ceiling or wall.

TA875-1G1: 4 3/4"H x 4 3/4"W x 1 3/8"D

1 gang, 2 gang or 4" square backbox.

TA875-1G1 24VDC HORN		
ALARM TONE	CURRENT (AMPS)	TYPICAL dB @ 10 FEET
BELL	0.020	91
HI-LO	0.025	96
CHIME	0.028	93
SINGLE STROKE BELL	0.026	93
HORN	0.023	97
3 BEEPS, PAUSE	0.023	97
SIREN	0.040	95
SLOW WHOOP	0.040	96

TA-MTS 115VAC HORN				
ALARM TONE	AMPS @ 120VAC		TYPICAL dB @ 10 FEET	
	HIGH	STANDARD	HIGH OUTPUT	STANDARD OUTPUT
HORN	0.050	0.042	85	82
BELL	0.041	0.039	82	75
HORN 2	0.050	0.040	85	79
CODE 3 HORN	0.050	0.042	82	75
CODE 3 TONE	0.042	0.040	79	75
SLOW WHOOP	0.050	0.042	85	82
SIREN	0.045	0.041	85	82
HI-LO	0.042	0.039	82	79

CAT. NO.	UPC CODE	INPUT VOLTAGE	DESCRIPTION
TA875-1G1	97641	20-31VDC	Multi-tone Electric Horn
TA-MTS	97674	115 VAC	Multi-tone Electric Horn

HEAVY DUTY BELLS

4", 6", 10" DIAMETERS
AC VIBRATING BELLS



APPLICATIONS



- For indoor or outdoor applications. High sound output, durable and dependable performance. Ideal for schools and hospitals.

FEATURES

TERMINAL SIZE: #12 - 22 AWG.

WIRING: Screw terminals permit fast IN/OUT field wiring.

HOUSING: Steel gong and cast aluminum. See page 577 for dimensional drawings.

MOUNTING: To indoor box TA-BBSF or outdoor box TA-WBBF, see accessories page 576.

CAT. NO.	UPC CODE	SHELL SIZE	VOLTAGE	INPUT CURRENT (AMPS)	dB @ 10 FEET	COLOR
TA340-4G5	96001	4"	24VAC	0.320	81-90	Dawn Mist
TA340-4N5	96002	4"	120VAC	0.065	81-90	Dawn Mist
TA340-6G5	96003	6"	24VAC	0.320	81-95	Dawn Mist
TA340-6N5	96004	6"	120VAC	0.065	81-95	Dawn Mist
TA340-10G5	96005	10"	24VAC	0.320	84-98	Dawn Mist
TA434-4N5	98005	4"	120VAC	0.065	81-95	Red
TA434-6N5	97521	6"	120VAC	0.065	81-95	Red
TA434-10N5	96522	10"	120VAC	0.065	84-98	Red

LIGHT DUTY AND GENERAL PURPOSE BELLS & BUZZER



APPLICATIONS

- Designed to operate on either bell ringing transformers or batteries. Non-adjustable sound.

FEATURES

ALARM: Bell ringing, non-adjustable sound.

DIMENSIONS FOR TA725:
3" H x 2½" W x 1" D.

MOUNTING: Fully enclosed sturdy steel bases and covers. Base and cover snap together, no screws required.

CAT. NO.	UPC CODE	DESCRIPTION	VAC	VDC	AMPS	dB
TA740	96228	2½" Gong	8-16	3-6	1	76 @ 10'
TA744	96230	4" Gong	8-16	3-6	1	78 @ 10'
TA725	96226	Buzzer	8-16	3-6	1	88 @ 3'

CHIMES & CHIME KITS



APPLICATIONS

- Powerful and loud, pleasant sounding push-button chimes. Ideal for homes, apartments and offices.

CAT. NO.	UPC CODE	DESCRIPTION	DIMENSIONS
TAC212WS	96064	16VAC Chime + Push Button clip for Stucco + 10VA Transformer	7 3/16"L x 4"W x 2"D
TAC212WL	96054	16VAC Chime +1 Illuminated & 1 Non-illuminated Push-button +10VA Transformer	7 1/4"L x 4 3/4"W x 2 1/2"D

FEATURES

INPUT: 16V, 10VA, 120VAC.

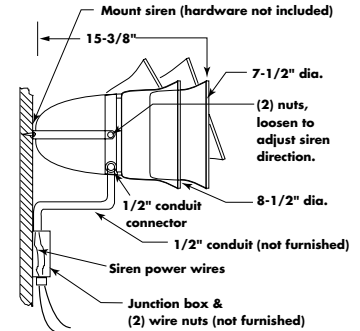
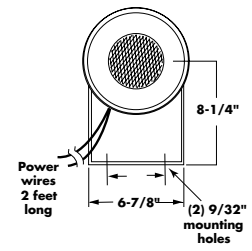
ALARM: Chime.

MOUNTING: Fully enclosed sturdy steel bases.

WEATHERPROOF MOTOR DRIVEN SIREN



DIMENSIONS



APPLICATIONS



- For industrial and outdoor use. Ideal for evacuation and warning systems.

FEATURES

INPUT VOLTAGE: 120AC & DC, 60Hz.

ALARM: Loud, distinctive tone. Designed to be effective over standard horns or bells.

HOUSING: Red enamel paint over heavy gauge aluminum housing. Fully enclosed motor. 180° swivel and adjustable direction.

CAT. NO.	UPC CODE	INPUT VOLTAGE	dB @ 10 FEET	AMPS	VA
TA315-1N5	96599	120VAC/DC	117	2.5	300

MANUAL FIRE ALARM PULL-DOWN STATION



APPLICATIONS



- Designed for indoor use. Ideal for schools, hospitals, industrial plants, warehouses and retail stores. Key is required to close and reset device. Meets requirements, BSA, MEA, CA and UL.

FEATURES

ALARM: Loud, distinctive tone. Designed to be compatible with any control panel to initiate local alarm signals, trip municipal fire alarm box and start fire pumps.

MOUNTING: Sturdy metal construction, mounts to a standard single gang electrical box.

CAT. NO.	UPC CODE	SWITCH	VOLTS	AMPS
TA270A	96521	SPST, NO	30V AC/DC	1

TELEPHONE RELAY



APPLICATIONS



- This device activates appliances when a telephone ring voltage is detected. For indoor and outdoor use with horns, bells or strobes. Recommended use where ambient noise levels are high. FCC approved.

FEATURES

INPUT: Accepts RJ-11C phone plug.

WIRING: Hard wire connections, for analog phone lines.

MOUNTING: Weatherproof, indoor and outdoor, includes mounting bracket.

CAT. NO.	UPC CODE	INPUT TELEPHONE RING VOLTAGE	AC INPUT VOLTAGE	RINGER EQUIVALENCE	PEAK CANDLEPOWER
TA-B-8332	97100	39-150V/20-30Hz	115VAC-5A, 230VAC-2A	Up to 115VDC-500MA	0.6

WALL CLOCKS

QUARTZ & ELECTRIC



APPLICATIONS

- Each model meets United States Government Specifications. All Clocks provide second hand for accurate timing.

FEATURES

QUARTZ

Accurate to one minute per year. Low power consumption for long battery life. Uses AA battery (not supplied).

ELECTRIC

110VAC, 60 Hz synchronous motor. 66 inch line cord and plug. Does not require grounding.

MOUNTING: Concealed mounting brackets allow for simple, neat placement on walls.

QUARTZ CLOCK

CAT. NO.	UPC CODE	TYPE	SIZE	FRAME COLOR
TA1886 G	96156	QUARTZ	8"	Grey
TA1886 B	96155	QUARTZ	8"	Brown
TA1887 G	96159	QUARTZ	12"	Grey
TA1887 B	96157	QUARTZ	12"	Brown
TA1887 BK	96158	QUARTZ	12"	Black

ELECTRIC CLOCK

CAT. NO.	UPC CODE	TYPE	SIZE	FRAME COLOR
TA1880 G	96152	ELECTRIC	8"	Grey
TA1880 B	96151	ELECTRIC	8"	Brown
TA1882 G	96154	ELECTRIC	12"	Grey
TA1882 B	96153	ELECTRIC	12"	Brown

ELECTRIC DOOR OPENERS

REMOTE CONTROL & CONTACT DEVICES

APPLICATIONS

- For unlocking or locking metal or wooden doors using low voltage wiring. For AC, use TA591 or TA592 transformer.

MORTISE TYPE REMOTE OPENER

Reversible for right or left hand door. Use with mortise entrance locks having a latch bolt with up to 1/2" width and throw. 6" wire leads. Dimensional drawings available.

DEVICE	CAT. NO.	UPC CODE	VOLTS	AMPS
--------	----------	----------	-------	------



TA09	96960	8-16VAC 3-6VDC	.95-1.75 1.25-1.80
------	-------	-------------------	-----------------------



TA154	96962	16VAC 3-6VDC	.95-1.75 1.25-1.80
-------	-------	-----------------	-----------------------

RIM TYPE REMOTE OPENER

Reversible for right or left hand door. Standard surface type used with lock latches with up to 5/8" width and throw. 6" wire leads. Dimensional drawings available.


DEVICE	CAT. NO.	UPC CODE	VOLTS
--------	----------	----------	-------



TA152	96961	8-16VAC, 3-6VDC
-------	-------	-----------------


MAGNETIC SWITCH CONTACTS

For activating a variety of signals, ideal for limiting space applications. Self-insulating and can be mounted in any direction. All units include companion magnet. Dimensions: 2 3/16" L x 1/2" W x 1/2" D.

DEVICE	CAT. NO.	UPC CODE	DESCRIPTION	VOLTS	AMPS MAX.
	TA60	96975	Circuit closed with magnet engaged		
	TA61	96976	Make & break NO and NC	24VAC 12VDC	.5
	TA62	96977	Circuit open with magnet engaged		
	TA67W	96979	Terminal Cover		

DOOR/WINDOW CONTACTS, ROLLING BALL TYPE

Signals automatically with the opening and closing of doors, windows and transoms. Operates from pressure in any direction. Non-tilt, non-jamming design. Fits 3/4" hole; no need to mortise.

DEVICE	CAT. NO.	UPC CODE	DESCRIPTION	VOLTS	AMPS MAX.
	TA44	96995	Normally closed Push to open		
	TA45	96996	Normally open Push to close	12-24V AC/DC	2
	TA46	96997	Momentary contact Push to make & break		

ELECTRIC DOOR SWITCH

For turning lights/signals on or off when doors are opened or closed. Ideal for closets, dark rooms, storage areas of walk-in refrigeration. Rust resistant steel case with 4 knockouts, antique brass plate. Box dimensions: 1 1/4"W x 3 7/8"H x 2"D. Plate dimensions: 1 1/4"W x 4".

DEVICE	CAT. NO.	UPC CODE	DESCRIPTION	VOLTS	AMPS MAX.
--------	----------	----------	-------------	-------	-----------



TA502	96964	Light ON when door is open	125VAC 250VAC	6 3
-------	-------	----------------------------	------------------	--------

DOOR TRIP SWITCH

Signals automatically as door is opened. Commonly used on store doors to announce entrance of customers. Mounts on top of door frame. Solid cast brass. Size: 3 x 1 5/8".

DEVICE	CAT. NO.	UPC CODE	VOLTS	AMPS MAX.
--------	----------	----------	-------	-----------



TA236	96963	12-24VAC	2
-------	-------	----------	---

PUSH-BUTTONS

ILLUMINATED,
NON-ILLUMINATED &
WEATHERPROOF



APPLICATIONS

- For outdoor use to activate low voltage bells, buzzers, horns or any other audible signal. Ideal for factory doors, receiving departments, small office buildings, limited access retail stores and private homes.

ILLUMINATED PUSH-BUTTONS, UP TO 16VAC

BUTTON	CAT. NO.	UPC CODE	COLOR	SIZE
	TA603L	96035	Gold	1 3/4" (diameter)
	TA631L	96089	White	2 3/4" x 7/8"
	TA656B	96039	Gold	15/16 x 2 3/4"
	TA215LB	96031	Brass	1 1/4 x 2"
	TA620L*	96037	Chrome	5/8" (diameter)
	TA620LB*	96038	Brass	5/8" (diameter)

WEATHERPROOF PUSH-BUTTONS / SOLID CAST BRASS

BUTTON	CAT. NO.	UPC CODE	DESCRIPTION	INPUT VOLTAGE
	TA1786B	96090	Without conduit backplate	Momentary Contacts 4 amps AC/DC @ 12V 4 amps AC, 2 amps DC @ 24V
	TA1786CB	96091	With conduit backplate	2 amps AC 1 amp DC @48V

NON-ILLUMINATED PUSH-BUTTONS, UP TO 24VAC

BUTTON	CAT. NO.	UPC CODE	COLOR	SIZE
	TA600	96041	Polished Brass	2 1/4" (diameter)
	TA603	96044	Polished Brass	1 3/4" (diameter)
	TA631	96088	White	2 3/4" x 7/8"
	TA635	96047	Ivory, black bar	2 3/4" x 7/8"
	TA666BK	96048	Black, ivory bar	2 3/4" X 2 3/4"
	TA602	96043	Polished Brass	13/8" x 5 1/4"
	TA601	96042	Sprayed Brass	2 x 2 9/16"
	TA620*	96045	Chrome	5/8" (diameter)
	TA620B*	96046	Brass	5/8" (diameter)

*Stainless steel plate to fit TA620 models: Order TA 147-1

WARNING LIGHTS INDUSTRIAL UNITS


LETTER	INDICATES COLOR
R	Red
A	Amber
C	Clear
B	Blue

APPLICATIONS

- 1/2" conduit mounting. Full selection of dome colors, see chart at right. For outdoor use. All units must be mounted vertically with base at bottom.


TA47N5 / TA47R5 – ALL PURPOSE 360° BEACON

Large parabolic reflector rotates around a 100 watt bulb. Long range beam. Use to indicate equipment malfunctions, security intrusion, etc.

DEVICE	CAT. NO.	UPC CODE	DESCRIPTION	VOLTS	AMPS
	TA47RN5	96061	90 FPM Corrosion resistant/Outdoor use Glass filled polypropylene housing	117VAC	
	TA47AN5	96161	Acrylic dome	117VAC	.9
	TA47AR5	96162	Tamper resistant dome clamps Nominal current draw 9 1/2"H x 8 1/2" diameter	240VAC, 60Hz	


TA52N5 – COMPACT ROTATING BEACON

Light intensifying reflector rotates around a low current 25 watt bulb. Bayonet socket for easy lamp replacement. Ideal for restricted or dangerous areas.

DEVICE	CAT. NO.	UPC CODE	DESCRIPTION	VOLTS	AMPS
	TA52RN5	96063	80-90 FPM 360° rotation		
	TA52AN5	96163	Dependable belt & turntable design Acrylic dome	117VAC	.21
	TA52BN5	96263	Nominal current draw 6 1/2"H x 55/8" diameter		


TA93-2N5 – MIDI-STROBE

Solid state circuitry in a low profile design. No moving parts means less Maintenance!

DEVICE	CAT. NO.	UPC CODE	DESCRIPTION	VOLTS	AMPS
	TA93-2RN5	99622	70-80 FPM Solid state electronic circuitry		
	TA93-2AN5	97623	High output 3-4 watt, 3.6 joules Vertically mounted flash tube	117VAC	.04
	TA93-2CN5	96968	Snap out socket base for 360° Fresnel dome optics		
	TA93-2BN5	97624	Nominal current draw 6 1/2"H x 5 1/8" diameter		

TA94N5 – ELECTRONIC STROBE

High intensity strobe tube with inner fluted lens for maximum brilliance. No moving parts makes it immune to shock and vibration. Ideal for security alert.

DEVICE	CAT. NO.	UPC CODE	DESCRIPTION	VOLTS	AMPS
	TA94RN5	97626	70-80 FPM Solid state electronic circuitry High output 3-4 watt, 3.6 joules		
	TA94AN5	97627	Acrylic dome	117VAC	.04
	TA94BN5	97628	Glass filled polypropylene housing Suitable for outdoor use 9 1/2"H x 8 1/2" diameter		

WARNING LIGHTS VEHICULAR UNITS


LETTER	INDICATES COLOR
R	Red
A	Amber

APPLICATIONS

- 1/2" conduit mounting. Full selection of dome colors, see chart at right. For outdoor use. All units must be mounted vertically with base at bottom.


TA53E1 – ROTATING BEACON

Single point shock-mounting. Ideal for use on security or service vehicles.

DEVICE	CAT. NO.	UPC CODE	DESCRIPTION	VOLTS
	TA53AF1	96185	90-100 FPM	36VDC
	TA53AG1	96184	Dependable belt & turntable design 25 watt lamp Acrylic Dome Nominal current draw 7 1/2"H x 6" diameter	24VDC

TA54E1 – PORTABLE, MAGNETIC, ROTATING BEACON

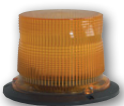
Single point shock-mounting. Ideal for use on security or service vehicles.

DEVICE	CAT. NO.	UPC CODE	DESCRIPTION	VOLTS
	TA54AE1	96187	75 FPM, 12 watt lamp Quiet belt-drive motor.	12VDC
	TA54RE1	96087	Teardrop design fits under windshields. Includes glare shield, velcro tape 4 1/2" H x 7 1/2" diameter	

TA131DN5 / TA131DU1 – DOUBLE FLASH SUPER STROBE


Ideal for industrial applications requiring extremely high visibility. One model covers all popular mounting methods: 1/2" pipe, surface, flange, electrical box.



DEVICE	CAT. NO.	UPC CODE	DESCRIPTION	VOLTS	AMPS
	TA131DRN5	96510	60 FPM, 7.5 JPF	120VAC	.2
	TA131DAN5	96610	High intensity 85,000 peak CP Flashtube Rated at 7000-8000 hrs.		
	TA131DRU1	96511	Durable Lexan® housing 5"H x 7 1/4" diameter	10.5-31.0VDC	
	TA131DAU1	97611			

TA879 – VEHICULAR BACKUP ALARM

Solid state electronic unit. Helps to comply with OSHA and State regulations. Makes distinctive noise, ideal for extreme variations in background noise

DEVICE	CAT. NO.	UPC CODE	DESCRIPTION	VOLTS
	TA879	96102	2 sound levels 97 or 87 dB +/- dB at 4ft Multi-voltage Water-resistant housing	12 to 48VDC

NOTE: FPM = Flashes per minute
JPF = Joules per flash

For replacement parts and accessories, see page 576.

POWER SUPPLY UNITS 24 VDC UNITS



APPLICATIONS

- Units provide power to multiple signaling devices, depending on requirements.

FEATURES

TA606

Regulated and filtered 24VDC up to 600mA. Easy-to-use screw terminals, accepts #16-24AWG. No conduit is required for installation.

TA640

Dual output unit, each providing 2 Amps fo current. If connected in parallel, will provide up to 4 Amps. Circuit breaker provides input protection.

CAT. NO.	UPC CODE	INPUT VOLTAGE	OUTPUT VOLTAGE	OUTPUT CURRENT	REGULATION	RIPPLE VOLTAGE
TA606	96109	117VAC	24VDC	600mA	-	-
TA640	96110	115VAC	24VDC	4A	+/-5%	10mVRMS

TRANSFORMERS



APPLICATIONS

- Engineered to ensure long use for bells, buzzers and chimes.



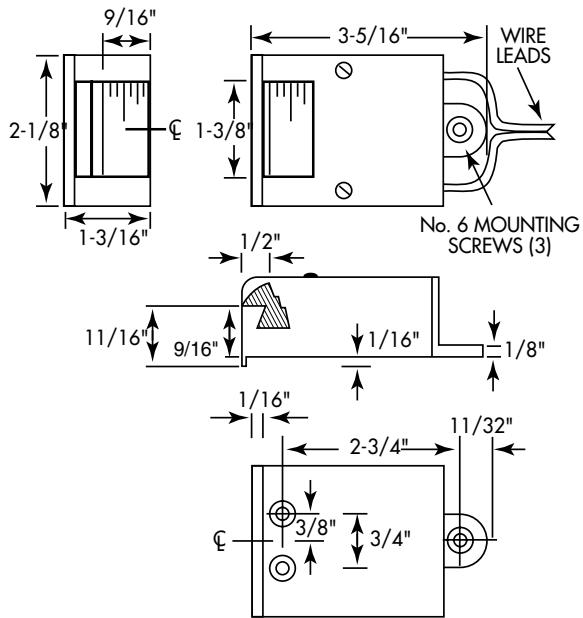
CAT. NO.	UPC CODE	TYPE	VOLTS-AMPS (VA)	PRIMARY VOLTAGE AC	SECONDARY VOLTAGE AC	Hz
TA590	96104	Bell	5	120	10	60
TA591	96105	Chime	10	120	16	60
TA592	96106	Tri-Volt	10-10-20	120	8-16-24	50/60
TA598	96602	Tri-Volt	20-30-30	120	8-16-24	60
TA599	96108	Heavy Duty	40	120	24	60
TA1245Y-50	96166	Heavy Duty	50VA	120/208/240	24	60
TA1245Y-75	96167	Heavy Duty	75VA	120/208/240	24	60

ACCESSORIES, REPLACEMENT PARTS

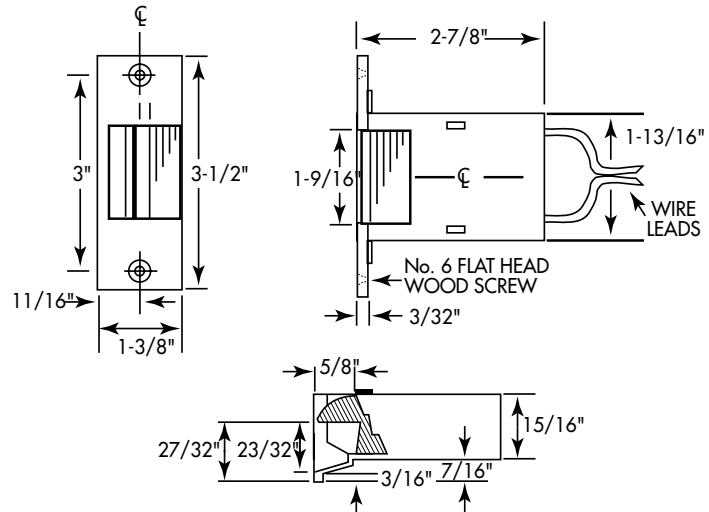
UNIT	CAT. NO.	UPC CODE	DESCRIPTION
TA93-2	TA-L6-2	96982	110VAC Xenon Flash Tube
TA52	TA-L8	96134	110VAC Bulb
TA94	TA-L10	96136	110VAC Xenon Flash Tube
TA-94	TA-L10-1	96981	110VAC Xenon Flash Tube
TA502	TA502SW	96966	Replacement switch
TA874 Series	TA-BBSF	97694	Backbox – 4" painted Dawn Mist 3/4" and 1" KO's
TA874 Series	TA-WBBF	97692	Weatherproof Backbox – 1/2" KO's 4" painted Dawn Mist
TA-BBSF, TA-WBBF	TA-SFPF	97707	Semi-Flush plate – Dawn Mist
TA-BBSF, TA-WBBF	TA-SFPFR	97697	Semi-Flush plate – Red
TA47, TA94	TA-ADR	96111	Acrylic Dome – Red
TA47, TA94	TA-ADA	96311	Acrylic Dome – Amber
TA52, TA53	TA-D5B	96419	Acrylic Dome – Blue
TA54	TA-D6A	96320	Dome – Amber
TA93, TA94	TA-D7R	96121	Fresnal Dome – Red
TA93, TA94	TA-D7A	96321	Fresnal Dome – Amber
TA93, TA94	TA-D7C	96621	Fresnal Dome – Clear
TA131D	TA-D8R	96970	Acrylic Dome – Red

REMOTE CONTROL DOOR OPENERS

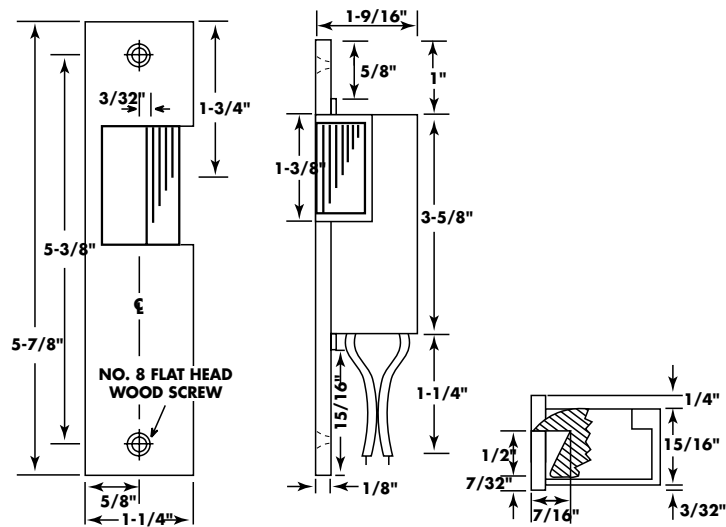
TA152



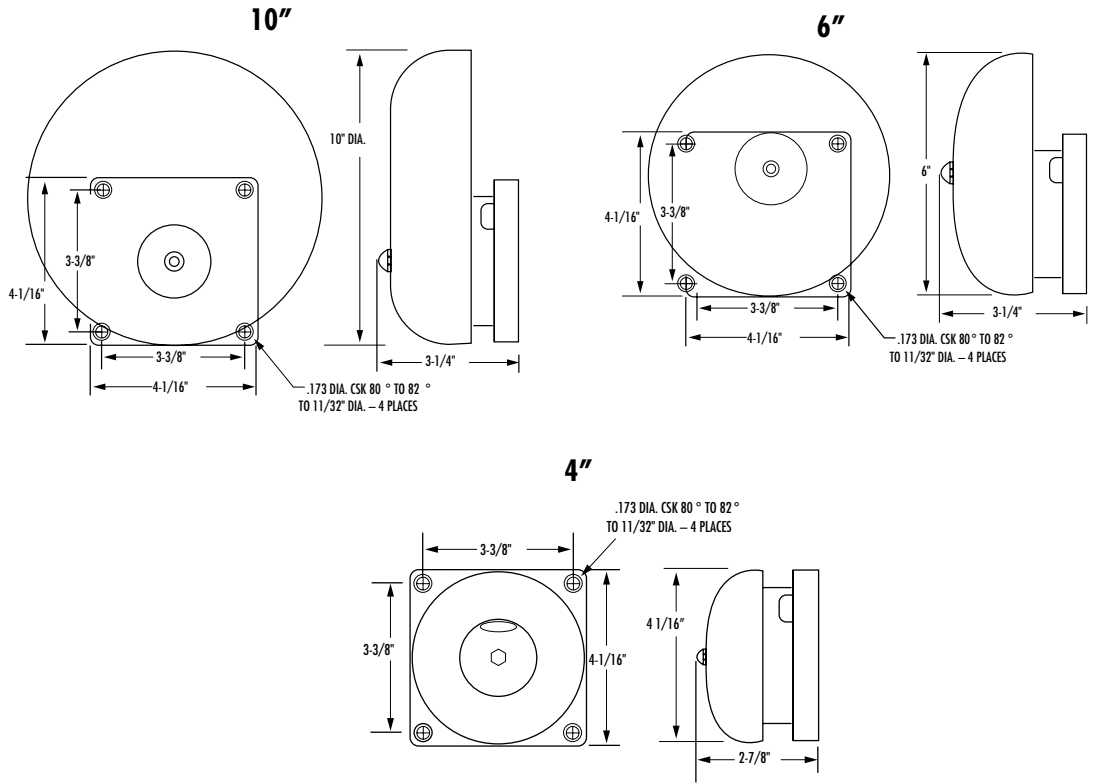
TA154



TA09

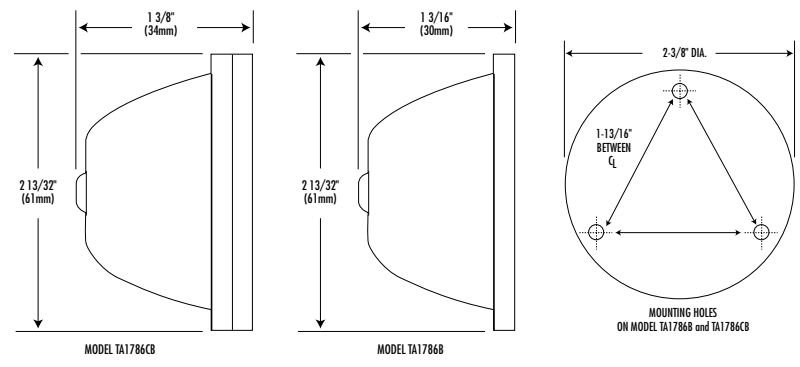


HEAVY DUTY BELLS



WEATHERPROOF BUTTON

TA1786B ONLY







TORK® POOL & SPA CONTROLS

PP PANEL SERIES

POOL AND SPA PANELS



APPLICATIONS

- Pumps
- Swimming pools
- Fountains
- Ponds



PP125R

FEATURES

COMBINATION PANEL: The PP Panel Series provides a flexible platform to create a custom pool and spa control at an off the shelf price. Start with a blank panel and add timers, freeze controls, circuit breakers, switches and outlets for a custom installation.

PP-100R: 100 amp load center 120-240V, 5/10 circuit breaker base.

PP-125R: 125 amp load center 120-240V, 8/16 circuit breaker base.

CONTROLS: Freeze protection or mechanical and digital timers are all available with unique features not found elsewhere in the industry. Find specification details on pages 589-593.

BREAKERS: Listed for Cutler Hammer (BR), GE (THQL), Murray/Siemens (MP) and Square D (HOM) (not included).

REVERSIBLE DOOR: Easy-Hinge patented removable and reversible door. Change from left to right opening. Solves installation issues in the field.

WHILE-IN-USE COMPARTMENT: Inside mounting for two devices with cord exit.

DEVICE MOUNTING: Provision for mounting one or two devices in any combination accepts toggle, GFCI, X-10 and UPB type devices in, PP-100R and PP-125R enclosures.

TRANSFORMER: Select panels include 120V input: 100 watt with output 12V/13V or 300 watt with output 12V/13V/14V.

ENCLOSURE: Metal NEMA 3R with lockable hasp. See pages 589-593 for dimensions.



CAT. NO.	UPC CODE	CONTROL	CONTROL INPUT	ADDITIONAL INFORMATION
PP-100R	94016	-	-	Panel only. Add controls from page 589-593.
PP-125R	94017	-	-	Panel only. Add controls from page 589-593.
PP-125R-P4	53007	P1104-M	240VAC	Add another control from page 589-593.
PP-125R-P4-100X	94018	P1104-M	240VAC	*Includes 100 watt Low Voltage Transformer
PP-125R-P4-300X	94019	P1104-M	240VAC	*Includes 300 watt Low Voltage Transformer

*For stand alone transformer see TPX series page 588.

P1100 SERIES

SWIMMING POOL TIMERS, 24 HOUR ELECTROMECHANICAL CONTROL

REAL TIME SWITCH FACE: Easy to set and check time.

CAPTIVE TRIPPERS: 15 minute intervals, no lost trippers.

HEATER CONTACTS: FM suffix includes "Fireman Switch" to turn off pool heater 20-30 minutes before timer turns OFF. Contact rates SPST, 15A @120V.

THERMOSTAT: PFP models include built in Freeze Protection. No extra wiring. Thermostat turns on load at user settable level between 33°F and 42°F. Moving water prevents costly freeze damage.

ACCESSORY CONTACT: PF models include extra contact to accept PFPT Freeze Protection Accessory. Thermostat turns ON load at user settable level between 33°F and 42°F. Moving water prevents costly freeze damage.

TIMER INTERLOCK: Makes one second timer dependant on operation of another timer.



QUICK INSTALL/RELEASE LEVER:
For easy installation and removal when installing into pool panels.

LOAD INDICATOR LAMP

CONVENIENT EXTERNAL ROCKER SWITCH:
3 position switch: OFF/ON/AUTO. Use switch to turn OFF pump at the end of pool season.



CAT. NO.	UPC CODE	INPUT SUPPLY (VAC) 60Hz	CONTACTS	RESISTIVE/INDUCTIVE RATINGS	HP RATING	NOTES
❄️ PFP2-M	94026	240	DPST	40A	7.5HP @ 240V	Thermostat only
❄️ PFP3-M	94027	120/240 w/neutral	DPST	40A	3 HP @ 120V 7.5HP @ 240V	Thermostat only
P1101-M	10056	120	DPST	40A	3 HP @ 120V	-
P1101FM-M	10060	120	DPST	40A	3 HP @ 120V	Fireman Switch
PF1101-M	94020	120	DPST	40A	3 HP @ 120V	Accepts PFPT thermostat input
PF1101FM-M	94024	120	DPST	40A	3 HP @ 120V	Fireman Switch & Accepts PFPT thermostat input
❄️ PFP1103-M	94023	120/240 w/neutral	DPST	40A	3 HP @ 120V 7.5HP @ 240V	Freeze Protection included
P1104-M	10057	240	DPST	40A	7.5HP @ 240V	-
P1104FM-M	10061	240	DPST	40A	7.5HP @ 240V	Fireman Switch
❄️ PF1104-M	94021	240	DPST	40A	7.5HP @ 240V	Accepts PFPT thermostat input
PF1104FM-M	94025	240	DPST	40A	7.5HP @ 240V	Fireman Switch & Accepts PFPT thermostat input
❄️ PFPT	94028	120/240	-	-	-	Thermostat accessory

*PFPT



NOTE: "❄️" = Indicates Freeze Protection.

PEW100 SERIES

SWIMMING POOL TIMERS, 7 DAY DIGITAL CONTROL



QUICK INSTALL/RELEASE LEVER: For easy installation and removal when installing into pool panels.

LOAD INDICATOR LAMP

LARGE LCD DISPLAY

LARGE "MANUAL" BUTTON: 3 operating modes available: OFF/ON/AUTO. Using the OFF mode, the pool can be closed down without disrupting the time settings.

POWER OUTAGE BACKUP: Battery retains time and schedule.

7 DAY PROGRAMMING ONE MINUTE INTERVAL: Allows for the control of various electrical equipment on a 7 day schedule. 15 schedule weekly programs.

THERMOSTAT: PFPEW models include built in Freeze Protection. No extra wiring. Thermostat turns on load at user settable level between 33°F and 42°F. Moving water prevents costly freeze damage.

ACCESSORY CONTACT: PFEW models include extra contact to accept PFPT Freeze Protection Accessory. Thermostat turns ON load at user settable level between 33°F and 42°F. Moving water prevents costly freeze damage.

TIMER INTERLOCK: Makes one timer dependant on operation of another timer.



CAT. NO.	UPC CODE	INPUT SUPPLY (VAC) 60Hz	CONTACTS	RESISTIVE/INDUCTIVE RATINGS	HP RATING	NOTES
PEW101-M	82432	120	DPST	40A	3 HP @ 120	-
PFWEW101-M	94029	120	DPST	40A	3 HP @ 120	Accepts PFPT thermostat input
PFPEW1102-M	94031	240	DPST	40A	7.5HP @ 240V	Freeze protection included
PFPEW1103-M	94032	120/240 w/neutral	DPST	40A	3 HP @ 120V 7.5HP @ 240V	Freeze protection included
PEW104-M	82442	240	DPST	40A	7.5HP @ 240V	-
PFWEW104-M	94030	240	DPST	40A	7.5HP @ 240V	Accepts PFPT thermostat input

NOTE: " " = Indicates Freeze Protection.

1100 SERIES

SAME ON/OFF TIMES EACH DAY
SWIMMING POOL
TIME SWITCHES



SPECIFICATIONS

INPUT VOLTAGE: 120 or 208-277VAC, 60Hz (varies by model).

TIMING ACCURACY: Line frequency.

TERMINAL RANGE: #8 - #14AWG.

OPERATING TEMPERATURE: -40 °F to 165 °F (-40 °C to +74 °C).

POWER CONSUMPTION: 3 watt max.

ENCLOSURE: Lockable hasp. Type varies by model. See pages 589-593 for dimensions and additional enclosure information.

APPLICATIONS



- Pool pumps
- Heaters
- Lighting

FEATURES

SCHEDULING: Minimum ON setting is 20 minutes with a minimum OFF setting of 75 minutes. Dial accommodates up to 12 pairs of trippers. One pair included.

MANUAL OVERRIDE: Until the next regularly scheduled ON or OFF automatic operation then resumes.

TYPE	VOLTAGE	CONTACT RATING
General Purpose	120-277VAC	40A
Resistive	120-277VAC	40A
Tungsten	120VAC	40A
Ballast	120-277VAC	20A
LED Driver*	120-277VAC	20A
Motor	120VAC 240VAC	2HP 5HP

277VAC Single Phase

*UL only or cULus on B suffix units.

CAT. NO.	UPC CODE	INPUT SUPPLY (VAC) 60Hz	OUTPUT CONTACTS	ENCLOSURE TYPE
1101B*	10064	120	SPST	Metal Indoor NEMA 1
1101BM-IAP*	10073	120	SPST	Mechanism and mounting plate
1104B*	10067	208-277	DPST	Metal Indoor NEMA 1
1104B-P*	10070	208-277	DPST	Polycarbonate Indoor/Outdoor NEMA 3R
1104B-O*	10075	208-277	DPST	Metal Indoor/Outdoor NEMA 3
1104BM-IAP*	10074	240	DPST	Mechanism and mounting plate
1101FM-N	10043	120	SPST	Noryl® Indoor/Outdoor NEMA 3R with fireman switch
1104FM-N	10044	208-277	DPST	Noryl® Indoor/Outdoor NEMA 3R with fireman switch
1101FM-M	10043	120	SPST	Mechanism with fireman switch
1104FM-M	10044	208-277	DPST	Mechanism with fireman switch
1101D	10028	120	Two 1101 SPST each	Metal Indoor/Outdoor NEMA 3R
1104D	10029	208-277	Two 1104 DPST each	Metal Indoor/Outdoor NEMA 3R
1104DF	10032	208-277	One 1104 One 1104FM	Metal Indoor/Outdoor NEMA 3R
Replacement Trippers	Order #P47 for a pair of ON/OFF trippers Order #PF48 for a pair of ON/OFF trippers for 1100FM series			
Replacement Motor	#101 (120V) & #201 (208-277V)			

* B suffix units cULus.

POOL & SPA JUNCTION BOXES



JPB75175

APPLICATIONS



- For installation of underwater pool lights or low voltage connections

FEATURES

- Durable PVC molded case
- INTERIOR & EXTERIOR bonding
- Flexibility for conduit sizing
- Built-in strain relief cord clamps
- Line or low voltage wiring
- Complete compliance with UL Standard 1241

CAT. NO.	UPC CODE	DESCRIPTIONS	CONDUIT HUBS
JBP75175	95457	Two Light Junction Box	3/4" / 1/2" / 1"
JBP57510	95485	Four Light Junction Box	1/2" / 3/4" / 3/4" / 1" / 1"

TIMER MECHANISMS



SPECIFICATIONS

INPUT VOLTAGE: 120 or 240VAC, 60Hz (varies by model).

TIMING ACCURACY: Line frequency.

TERMINAL: Male 1/4" spade connection

OPERATING TEMPERATURE: -40 °F to +158 °F (-40 °C to +70 °C).

POWER CONSUMPTION: 5mA max.

SIZE: 60 x 60 x 35mm

MOUNTING: 4 mounting holes 54mm square

APPLICATIONS



- Replacement timer for pool mechanism
- OEM panel mount timer

FEATURES

SCHEDULING: Minimum ON setting is 15 minutes with minimum OFF setting at 15 minutes. Dial has 96 captive tabs.

EASY-SET: Real time clock face and day/night markings for setting trippers.

BYPASS SWITCH: Sets timer to permanent ON, OFF or timer operation.

CAT. NO.	UPC CODE	INPUT VOLTAGE (VAC) 60 Hz	OUTPUT CONTACTS
75151	94062	125	SPDT
75152	94063	240	SPDT

LOAD TYPE	RATINGS	
	75151 VOLTAGE (VAC)	75152 VOLTAGE (VAC)
General Purpose	125, 15A	240, 15A
Resistive	-	240, 15A
Motor	-	240, 3/4 HP

DPC201 SERIES

DIGITAL TWO-SPEED PUMP TIMER



SPECIFICATIONS

TIMING ACCURACY: Line Frequency.

INPUT VOLTAGE: 120-277VAC, 50/60Hz (automatic detection).

TERMINAL RANGE: #8 - #16AWG.

OPERATING TEMPERATURE: -40 °F to +149 °F (-40 °C to +65 °C).

POWER CONSUMPTION: 6VA max.

ENCLOSURE: Indoor/Outdoor NEMA 3 Metal with locking hasp. See pages 589-593 for dimensions and additional enclosure information.

APPLICATIONS



- Swimming pools with two-speed pump motors

FEATURES

PUMP PROTECTION: Unit always starts on HIGH with 5 minute countdown before switching to low.

SCHEDULING: Up to 3 HIGH/LOW/OFF cycles repeat each day. Minimum setting 5 minute.

MANUAL OVERRIDE: Hold OFF until midnight then follows the next regularly scheduled HIGH/LOW/OFF operation.

DAYLIGHT SAVING: Automatic adjustment (can be omitted).

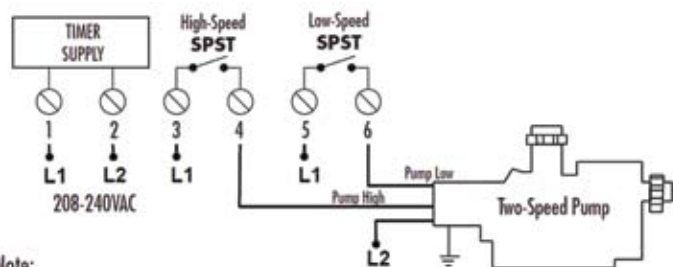
LEAP YEAR: Automatic Compensation.

CLOCK FORMAT: AM/PM

POWER OUTAGE BACKUP: Permanent schedule retention. Super capacitor provides 4 days of real time backup.

CAT. NO.	UPC CODE	INPUT SUPPLY (VAC) 50-60Hz	OUTPUT CONTACTS
DPC201	82457	120-277	SPST

LOAD TYPE	RATINGS	
	120VAC	208-277VAC
Motor	1HP	1 1/2 HP@208VAC 2 HP@240-277VAC
Resistive	40A	40A
Inductive	40A	40A
Ballast	30A	20A
Tungsten	15A	-
Pilot Duty	720VA	720VA



Note:

- A) Power must be supplied to each terminal marked L1
- B) For 120VAC motors use Neutral in place of L2

TPX SERIES

DIGITAL TWO-SPEED PUMP TIMER



TPX100



TPX600

SPECIFICATIONS

INPUT VOLTAGE: 120VAC 60 Hz.

OUTPUT VOLTAGE:

TPX100(S): 12 & 13 VAC 100 Watts max.

TPS300(S): 12, 13, & 14 VAC
300 Watts max.

TPX600: 12, 13, & 14 VAC 2 x 300
Watts max.

COLOR: Grey or Stainless Steel.

ENCLOSURE SIZE: TPX100(S) and
TPX300(S) 7.2 H x 5.1 W x 4.2 D inches.

TPX600 10.4 H x 7.3 W x 4.2 D inches.

APPLICATIONS



- Swimming pool and spa lighting
- Submersible fixtures
- Landscape lighting
- Fountain lighting

FEATURES

LOW VOLTAGE: Designed for the safe operation of 12 volt lighting loads including no niche fixtures.

POOL & SPA: 100 watt unit for outdoor use only. 300 and 600 watt units for indoor or outdoor use.

LANDSCAPE LIGHTING: 100 watt unit for outdoor use only. 300 and 600 watt units for indoor or outdoor use. All units for outdoor use only in Canada.

SAFE OPERATION: Full ground shield between primary and secondary.

OVERLOAD PROTECTION: Automatic resetting internal overload protection.

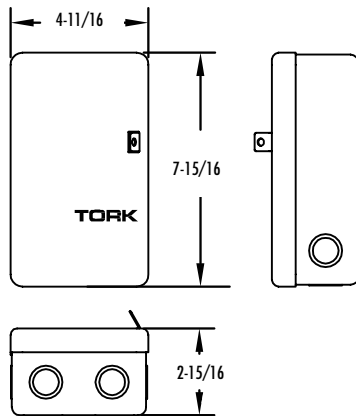
CAT. NO.	UPC CODE	INPUT SUPPLY 60Hz	OUTPUT CONTACTS
TPX100	94052	120VAC 1 AMP Max.	Painted Steel
TPX100S	94053	120VAC 1 AMP Max.	Stainless Steel
TPX300	94054	120VAC 3 AMP Max.	Painted Steel
TPX300S	94055	120VAC 3 AMP Max.	Stainless Steel
TPX600	94056	120VAC 2 x 3 AMP Max.	Painted Steel

ENCLOSURES

Standard For Models

Metal Indoor NEMA 1 Enclosure #68229

1101B 7122
 1102B 8001
 1103B 8004
 1104B 8061
 1101FM 8121
 1104FM 8301
 7100 8602
 7102 TU40-Y
 7200 EW101B-Y
 7202 EW103B-Y
 1101-7 EW201-Y
 WH2B EW120B-Y
 7120

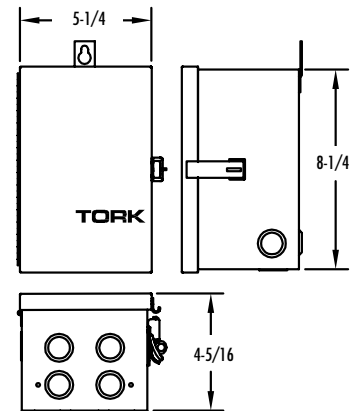


Standard For Models

METAL Indoor/Outdoor NEMA 3 Model 9000A – Suffix "O"

7300, L, Z, ZL
 7302, L, Z, ZL
 8007U-0
 8001-0
 8001U-0
 8007-0
 DZS100BP-0
 DZS200BP-0
 DZM200BP-0
 DZS200BP-0
 DW200B-0

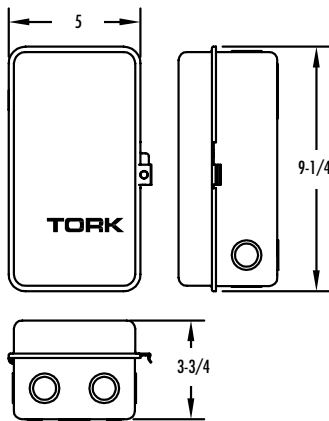
NEMA 1 enclosures standard for model 5401A



Standard For Models

Metal Indoor NEMA 1 Enclosure #63100-6

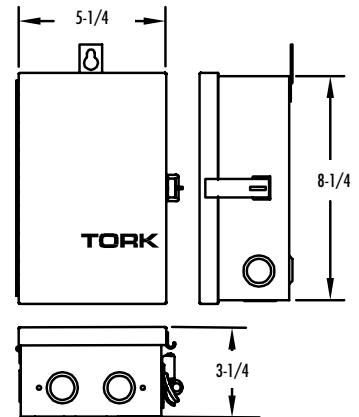
7220 LDS-A
 7200L LDSH-A
 7202L DG100A-Y
 7120L DGM100A-Y
 1847A DGU100A-Y
 8007 DGUM100A-Y
 8007L LC200
 8007U 8001U
 8008
 8008L



Standard For Models

METAL Indoor/Outdoor Model 9000B – Suffix "O"

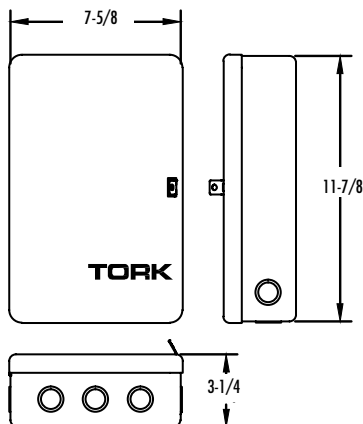
1103B-0
 1104B-0
 DPC201



Standard For Models

Metal Indoor NEMA 1 Enclosure #70100

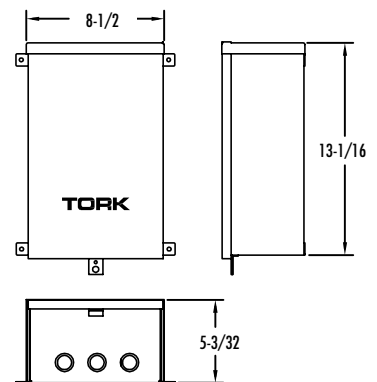
W100
 W200
 W202
 W120
 W220
 W222
 W220L
 W222L
 1847 AW
 W400B
 W402B
 W400BL



Standard For Models

Metal Indoor/Outdoor Model #9006

TZ220L-0
 TZ300L-0
 T920L-0
 T930L-0



Standard For Models **NORYL® Indoor/Outdoor NEMA 3R Model #900N**

7200Z, ZL
7202Z, ZL
7120Z, ZL
7122Z, ZL
8001-N
8001U-N
SMC-3D
D Series
DZM Series
DZS Series
DTS Series
DW Series
DWZ Series

Standard For Models **Polycarbonate Indoor/Outdoor NEMA 3R #74431-1**

TU40
1101B-P
1103B-P
1104B-P
EH20C
DTU40
E101PB
E Series
EW Series
EWZ Series

Standard For Models **NORYL® & LEXAN® Indoor/Outdoor NEMA 3R Model #9000NC**

8001-NC
DGLC100A-NC
DGLC200A-NC

Standard For Models **Polycarbonate Indoor/Outdoor NEMA 3R With Clear Cover**

1101B-PC
1103B-PC
1104B-PC
EW103B-C
EW120B-C

NEMA 1 enclosure standard for models DTWH40

Standard For Models **Metal Indoor**

SA300
SA306

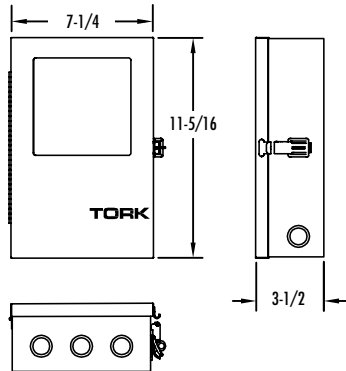
Standard For Models **Metal Indoor/Outdoor**

SA400

ENCLOSURES

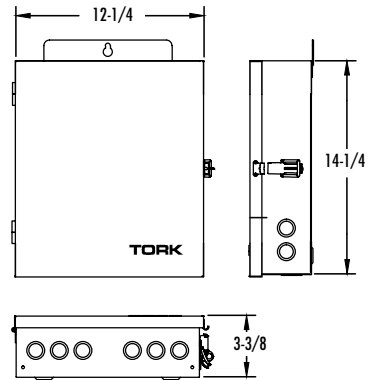
Standard For Models ELC74 Enclosure

ELC74



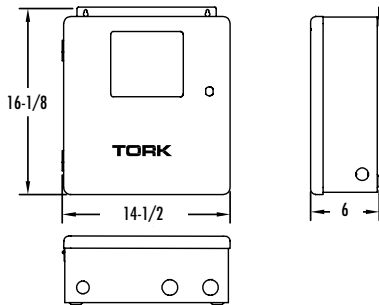
Standard For Models DLC400BP

DLC400BP



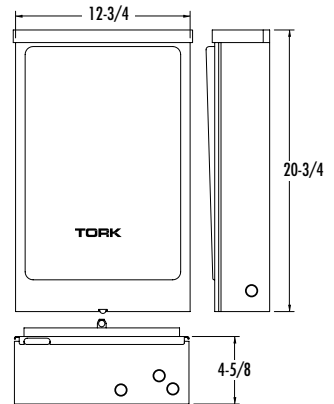
Standard For Models ELC78 & ELC712 Enclosure

ELC78
ELC712



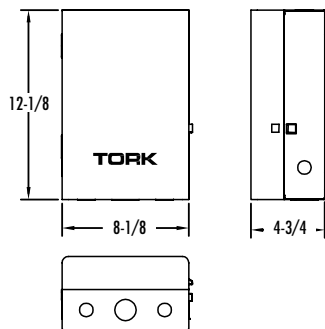
Standard For Models 5441A

5441A



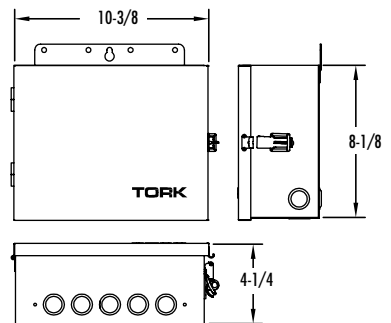
Standard For Models Metal Indoor NEMA 1 Enclosure Model #63016-1

TZ220L
TZ300L
W300
W300L
W302L
TW220L
TW300L
T920L
T930L
TW222L
TW302L



Standard For Models Metal Duplex Indoor/Outdoor Model #9004L

1101D
1104D
1104DF



Standard For Models **EWJT & E500T Series Enclosure**

EJWJ
E500T
E501T
E502T
ACT30MA

Standard For Models **LDS Series Mounting with Bracket**

LDS

Standard For Models **PCT15M**

PCT15M

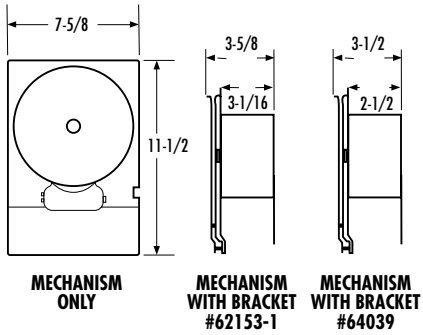
Pool Panel Series

ENCLOSURES

Option For Models

Mechanism & Mounting Bracket

Use bracket
#64039
W100
W120
W200
W220
W202
W222
Use bracket
#62153-1
W300
W302

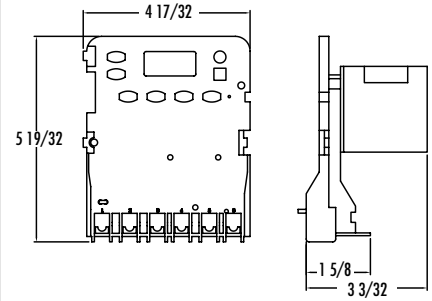


Standard For Models

W/EW/EWZ Series Bracket #65447

EWZ101-MB
EWZ103-MB
EWZ120-MB
EWZ201-MB

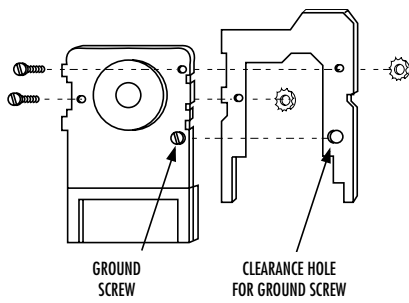
MECHANISM BRACKET



Standard For Models

IAP Bracket Intermatic® Adapter Plate

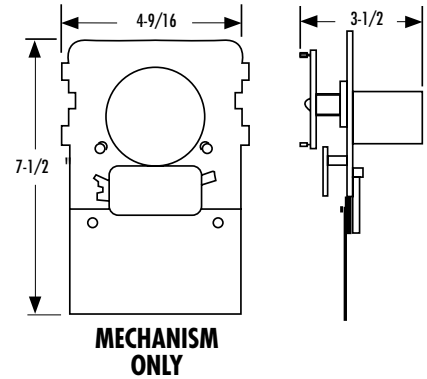
1101BM-IAP
1104BM-IAP
Option For Models
1102B
1103B
7100
7102
7200
7202
7120
7122
E Series
EW Series
EWZ Series



Standard For Models

Mechanism & Mounting Bracket #65447

8001-LC/WB
1101-M
1102-M
1103-M
1104-M
7000 Series
1847A
8121
8601
8301



ALPHANUMERIC INDEX

ITEM	PAGE	ITEM	PAGE	ITEM	PAGE
01082	156	2018	438	5404-3A	442
0T – 1000T	13	2021	439	5441A	520
0TC – 6TC-1	41	2022	439	5500	448
1012 – 1042	135	2024 – 2042	137	5500-0C	448
1101B	455, 585	2101	435	5737TM	447
1101-7	455	2104	435	5737TZ	447
1101BM-IAP	455, 585	2107	435	602B	559
1101B-P	455	2115	436	640-PM	335
1101B-PC	455	2116	436	642E	560
1101D	585	2117	436	652B	559
1101FM-M	585	2223	448	654E	560
1101FM-N	585	2224	448	701A	546
1102B	455	2421	448	701AA	546
1103B	455	300T-2 – 800T-4	19	705-16 – 1150-20	314
1103B-P	455	350LL2 – 8-1000LL12	29	711A	546
1103B-PC	455	36175 – 481750	337	750P – 1450P	335
1103B-O	455	3000	440	7100	457
1104B	455, 585	3002	440	7102	457
1104BM-IAP	455, 585	3006	440	7120	457
1104BM-MB	455, 585	3010	440	7120L	457
1104B-O	455, 585	4-250L4 – 4-1000L4	17	7120Z	459
1104B-P	455, 585	402B	555	7120ZL	459
1104B-PC	455	403B	555	7122	457
1104D	585	405B	555	7200L	457
1104DF	585	418 – 60175	331	7200	457
1104FM-M	585	418-4 – 1450-5	339	7200Z	459
1104FM-N	585	418-ID – 818H-ID	336	7200ZL	459
1847A	465	418-SB – 14120-SB	347	7202	457
1847AW	465	418X – 14500X	331-334	7202L	457
2/0–14	131	454E	557	7202Z	459
2/OTP – 2-600TP	23	455E	557	7202ZL	459
2-14 – 4-14	131	457Z	557	7220	457
2-OT-2-1000T	13	460E	557	7220L	457
2-350L4 – 8-350L8	31	4180 – 601750	333	7300	457
2-350T2 – 8-350T4	31	530MH – 141200MH	345	7300L	457
2C-14, 4C-14	131	5001M	441	7300Z	459
2SR – 750SR	21	5004M	441	7300ZL	459
250L2 – 1000L2	15	5007M	441	7302	457
2000	437	5008M	441	7302Z	459
2000-2	437	5021M	441	7302ZL	459
2001	438	5024M	441	73866	435
2002	438	5026M	441	750-16-1150-20	341
2005A	443	5231A	445	75151	586
2005B	444	5237A	445	75152	586
2006	438	5237-UL	446	7(5000) CW, CQ	312
2007A	443	5401A	520	76(000)PS	313-315
2007B	444	5403A	442	76(000)PW	313-314
2008B	444	5404A	442	77(000)RQ	309

ITEM	PAGE	ITEM	PAGE	ITEM	PAGE
77(000)RW	311	A530MW	551	CSP	105
78(000)TQ	316-319	A560M	551	CT	103, 258
78(000)TS	316-319	A560MH	551	CTH	104, 258
78(000)TW	316	A560MHW	551	CTK	307
79(000)LW	320-322	A560MW	551	CTP	343
79(000)LQ	321	ACT30MA	516	D1060LA	550
79(000)MS	311-312, 319	ADJCC	354	D1060M	550
79(000)MSR	319	AL	51	D1060MW	550
850-R	338	AL (C.Blok), AM, AS	117-122	D212H	550
8001	461	AL-N	53	D212HA	550
8001-LC/WB	461	APS	109	D212HW	550
8001-N	461	ASC	55	DBL	159
8001-NC	461	B	277	DE	43
8001-O	461	BKM	412,414	DFR	299
8001U	461	BKS	411,413	DG100A	491
8001U-N	461	BS400T, T2	25	DG100A-Y	491
8001U-O	461	BT	368	DG180A	511
8004	461	BTP	23	DG200A	491
8007	461	BY	159	DG280A	511
8007L	461	C	273	DG280A-24	511
8007-O	461	C-8 – C-750	89	DGLC100A-NC	503
8007U	461	C2 – C9	61	DGLC200A-NC	503
8007U-O	461	C412H	552	DGM100A	491
8008	461	C460M	552	DGM100A-Y	491
8008L	461	C502H	552	DGS100A	511
8121	463	C506H	552	DGS100A-12	511
8301	463	C512H	552	DGS100A-24	511
8601	463	C512HH	552	DGU100A-Y	503
90058-1	521	C515M	552	DGUM100A	503
A502H	551	C530M	552	DGUM100A-Y	503
A502HHW	551	C560M	552	DIN100B	517
A502HW	551	C560MH	552	DIN200B	517
A506H	551	CAL	65	DLC400BP	507
A506HHW	551	CB-11 – CB-120	134	DMT	285
A506HW	551	CB	161	DPC201	587
A512H	551	CBH	161	DRD, DRE, DRF, DRJ, DRT	127
A512HH	551	CCM	160	DS	170
A512HHW	551	CCR	160	DSS	367
A512HW	551	CD	158	DTD35LED	391
A515M	551	CDP	105	DTS100B	495
A515MA	551	CG	425	DTS200B	495
A515MH	551	CN	133	DTS400B	495
A515MHW	551	COS-ADP	530-533, 535	DTU40	479
A515MW	551	COS-L	531	DTWH40	479
A530M	551	COS-L2T	530	DW200B	493
A530MA	551	COS-LU	532	DWZ100B	493
A530MH	551	COS-M	533	DZM200BP	499
A530MHW	551	CPS-L	535	DZS100BP	497

ALPHANUMERIC INDEX

ITEM	PAGE	ITEM	PAGE	ITEM	PAGE
DZS100BP-0	497	EWEF	328	G-(1)-S-DBR	245
DZS200BP	497	EWFT	328	G-1 – G-66	246-248
DZS200BP-12	497	EWG	326	G-140DB	244
DZS200BP-24	497	EWGC	329	G-1-S – G-6-S	246
DZS200BP-0	497	EWHR	329	G-20DB	244
DZS400BP	497	EWMT	329	G-3-BS	245
DZS400BP-0	497	EWP	325	G-79 – G-90	250
E101B	485	EWPP	326	GBA	255
E101PB	485	EWRT	327	GBC	255
E103B	485	EWSR	328	GBIAL, GBIBZ	254
E120B	485	EWWH	327	GC	27
E201B	485	EWZ101	489	GCA	247
E500T	513	EWZ101-MB	489	GGC	262
E501T	513	EWZ103	489	GH	251
E502T	513	EWZ103-MB	489	GHM	251
EC	49	EWZ120	489	GL	81-84
EEL	416	EWZ120-MB	489	GLA	25, 242
EG	249	EWZ201	489	GL-B	91
EH20C	481	EWZ201-MB	489	GLC	241-242
EJWT	513	EXL	416	GL-N	85
EL	419	F	301	GL-NB	97
ELC712	505	FBP	418	GLN-X	101
ELC74	505	FCT	295	GP	27
ELC78	505	FD	361	GRC	252-253
EMFW	415	FL	408	GSC, GSH	262
EMHD	418	FL-LED	408	GSS	225
EMTW	415, 417	FLBR	409	GST	426
EMWL	417	FLHBR	404	GZ	252
EPC-A	503	FLC	404	GZB	252
EPC-LC	505	FLF	409	HB	168
ESB2	322	FLH	407	HHK	234
ESGHS	224	FLLP	408	HLC	49
ESGS	221	FLM	407	HMSS	228
ESGTS	222	FLPTM	124	HN	168
ESSLK	223	FQC	261	HOS-M	534
ESUF	220	FS008-FS350	39	HPS30	521
ET-CP	269	FS	261	HSC	230
EW101B	487	FS-136	371	HTF	293
EW101B-Y	487	FS-814	371	HTGE	260
EW103B	487	FSIC	371	HTM	293
EW103B-C	487	FSP	371	HTP	293
EW103B-Y	487	FSPP	371	HTR	293
EW120B	487	FTBFP	127	HTS, HTSF	293
EW120B-C	487	FTH	350	HWHS	231
EW120B-Y	487	FTS	161	IF	297
EW201B	487	FW	168	IFL	299
EW201B-Y	487	G-(1)-S-BS	243	IFS	297
EWDT	327	G-(1)-S-DB	243	IM	295

ITEM	PAGE	ITEM	PAGE	ITEM	PAGE
IPCS	115	N	106-107	PP-125R	582
IPL	183-186	N12ID, N1240	155	PP-125R-P4	582
IPLD	187-190	NC	355	PP-125R-P4-100X	582
IPLDH	193	NCH	355	PP-125R-P4-300X	582
IPLDS	191	NH-1, NH-3, NH-4	162	PT	57
IPLG	123	NMS, NMT	139	PT-12V – PT-22V	291
IPLM	195	NSi-12	157	PTC	291
IPLMD	197-200	NSi 33-12	307	PTO	59
IPLW	177	N-SP	108	PTS	59
ISE	67	OD	159	QF	410
ISPB	201	OJB	159	R	285-290
ISPC	201	OX	170	RC38	245
ISR	181	P	297	RC50	245
ISW	175	P-750	157	RC58	245
IT	179	P1101FM-M	583	RDC 1/0	159
ITB	129	P1101-M	583	RLD	362
IT-BW	363	P1104FM-M	583	ROS	226
ITG	173	P1104-M	583	RS200	425
ITH	179	P47	553	RSK	227
ITO	179	PAA	47	S	279-284
ITOG	173	PAE	47	S-1 - S-10	102
ITW	177	PC-LC, PC-LSW	357-361	S300	23
J	124	PCT15M	515	SA 382 – SA 582	261
JBP57510	586	PEW101-M	584	SA011	556
JBP75175	586	PEW104-M	584	SA100	556
KA	156	PF	291	SA10-400, SA500-1000	80
KC	156	PF1101FM-M	583	SA105	556
L, L-P	69-72	PF1101-M	583	SA110	556
L-B	93	PF1104FM-M	583	SA130	557
LC200	501	PF1104-M	583	SA134	557
LC200M	469-470	PFEW101-M	584	SA170	545
LCS115M	473, 504	PFEW104-M	584	SA204	560
LDS	509	PFP1103-M	583	SA205	559
LDS-A	509	PFP2-M	583	SA210	562
LDSH-A	509	PFP3-M	583	SA215	561
LK	141	PFPEW1102-M	584	SA220	562
LN, LN-P	73-78	PFPEW1103-M	584	SA230	558
L-NB	95	PFPT	583	SA300	483
M	295	PG	262	SA306	483
M-250, M-500	159	PHMN	409	SA400	483
MP	362	PIWC	271	SA500	558
MPM	354	PL	207-210	SB	273
MTK	303	PLH	205	SC	425
MTK-175	305	PM	291	SC	87
MTK-2218	306	PNC	352-353	SC-B	99
MTK-1614	306	Polaris Custom	211	SF	299
MTK-1210	306	Polaris Installation	213	SFTZ	35
MTKL	304	PP-100R	582	SITG	173

ALPHANUMERIC INDEX

ITEM	PAGE	ITEM	PAGE	ITEM	PAGE
SKAB, SKCB, SKDB	229	TA1786B	572	TA603	572
SKSS	228	TA1786CB	572	TA603L	572
SKUF	229	TA1880 B	570	TA606	575
SL-N	79	TA1880 G	570	TA61	571
SLUL	425	TA1882 B	570	TA62	571
SLW	168	TA1882 G	570	TA620	572
SM	351	TA1886 B	570	TA620B	572
SMC3D	519	TA1886 G	570	TA620L	572
SOTZ	35	TA1887 B	570	TA620LB	572
SPM	111–112	TA1887 BK	570	TA631	572
SR	367	TA1887 G	570	TA631L	572
SRNY	355	TA215LB	572	TA635	572
SRPE	355	TA236	571	TA640	575
SS13B	549	TA270A	568	TA656B	572
SS13F	549	TA315-1N5	568	TA666BK	572
SS20	549	TA340-10G5	566	TA67W	567
SS20F	549	TA340-4G5	566	TA725	567
SS34 – SS66	169	TA340-4N5	566	TA740	567
SS403	547	TA340-6G5	566	TA744	567
SS410	547	TA340-6N5	566	TA874-N5	565
SS423	547	TA434-10N5	566	TA874-N5R	565
SS700Z	541	TA434-4N5	566	TA875-1G1	566
SS700ZA	541	TA434-6N5	566	TA875-G1	565
SS720A	543	TA44	571	TA876-N5	565
SS720AA	543	TA45	571	TA879	574
SS720Z	544	TA46	571	TA880-N5	565
SS721Z	541	TA47AN5	573	TA93-2AN5	573
SS721ZA	541	TA47AR5	573	TA93-2BN5	573
SS8100 – SS26250	338	TA47RN5	573	TA93-2CN5	573
SSBW	169	TA502	571	TA93-2RN5	573
SSCT	349	TA502SW	576	TA94AN5	573
SSFW	169	TA52AN5	573	TA94BN5	573
SSHN	169	TA52BN5	573	TA94RN5	573
SSSLW	169	TA52RN5	573	TA-ADA	576
ISPB	203	TA53AF1	574	TA-ADR	576
STL	33	TA53AG1	574	TA-B-8332	569
SWL	330	TA54AE1	574	TA-BBSF	576
T920L	469	TA54RE1	574	TAC212WL	567
T930L	469	TA5508H-G1	565	TAC212WS	567
TA09	571	TA590	575	TA-D5B	576
TA1245Y-50	575	TA591	575	TA-D6A	576
TA1245Y-75	575	TA592	575	TA-D7A	576
TA131DAN5	574	TA598	575	TA-D7C	576
TA131DAU1	574	TA599	575	TA-D7R	576
TA131DRN5	574	TA60	571	TA-D8R	576
TA131DRU1	574	TA600	572	TA-DOK	422
TA152	571	TA601	572	TA-L10	576
TA154	571	TA602	572	TA-L10-1	576

ITEM	PAGE	ITEM	PAGE	ITEM	PAGE
TA-L6-2	576	UC	256-257	WPLD	403
TA-L8	576	UCF	426	WPM	400
TA-MTS	566	ULT, ULTD	368	WRD	61-64
TA-SFPF	576	USB-MMP	507	WWC, WWC-GR, WWC-N1, WWC-N2	267
TA-SFPFR	576	V	465, 467, 475		
TA-WBBF	576	V850-V7200	346		
TB	123	VL	367		
TBO - TB4	126	VM	366		
TBS	125	VRM	419		
TC	113	VRS	420		
TCP	114	VTB	425		
TES	164-166	VTC13LED	393		
TFZ	336	VTW	425		
TGE	259	VTW13LED	392		
THK	233	W	49		
TL	45	W100	467		
TL-5-1, TL-6-1	162	W120	467		
TL-ADJ5	162	W200	467		
TL-CCIH	163	W202	467		
TL-CRP	163	W220	467		
TL-DC	163	W220L	467		
TL-ISS	163	W222	467		
TL-LP, TL-LNP	163	W222L	467		
TL-RCR	162	W300	467		
TL-WS6	162	W300L	467		
Tool and Die Charts	143-151	W302L	467		
TOP	273	W400B	467		
TPX100	588	W400BL	467		
TPX100S	588	W402B	467		
TPX300	588	WAGS	219		
TPX300S	588	WAHS	233		
TPX600	588	WC	265		
TRP-24I	530-532, 536	WC-HB1, HB3	265		
TRP-24B	535-536	WH2B	464		
TRT	349	WLD	362		
TS	37	WMB	364		
TU40	453	WMC	365		
TU40-Y	453	WOS-M	527		
TW	167	WOS-M2R	528		
TW-220L	471	WOS-MN	527		
TW-300L	471	WOS-MN2R	528		
TWBS	167	WOS-MN2T	529		
TWHB	167	WOS-SN	526		
TWHS	235-238	WP	396		
TWSB	167	WP-LED	383		
TZ-220L	473	WPC	398		
TZ-300L	473	WPGC	396		
U-BG	159	WPL	403		



NSi Vendor Number: **662381**

TORK Vendor Number: **786261**

OTHER PRODUCTS AVAILABLE

NSi can provide many other products for special applications which are not listed in this catalog. If you require an item which you do not find listed, please contact us. We would be pleased to provide a quotation upon receipt of a drawing or a sample.



NSi Headquarters

9730 Northcross Center Court
Huntersville, North Carolina
28078 USA

TORK Manufacturing Facility

1 Grove Street
Mount Vernon, New York
10550 USA



Phone

office 800.321.5847
technical support 888.500.4598



Fax

800.841.5566



Email

nsi@nsiindustries.com



Web

www.nsiindustries.com

Find Us On:



GUARANTEE

It is our goal to provide extraordinary products and services on a daily basis. If our products or service do not meet with your satisfaction, please let us know immediately and we promise to make every reasonable effort to remedy the situation.