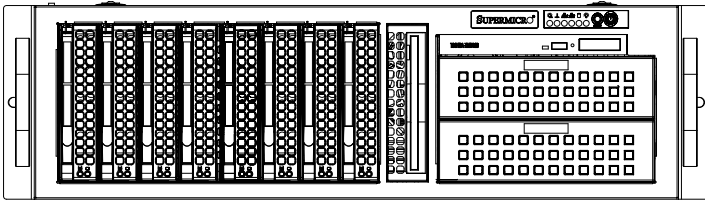




SC835 Chassis Series



CSE-835TQ - R800B

CSE-835TQ - R920B

CSE-835TQC-R802B

CSE-835TQC-R1K03B

USER'S MANUAL

1.0d

The information in this User's Manual has been carefully reviewed and is believed to be accurate. The vendor assumes no responsibility for any inaccuracies that may be contained in this document, makes no commitment to update or to keep current the information in this manual, or to notify any person or organization of the updates. **Please Note: For the most up-to-date version of this manual, please see our web site at www.supermicro.com.**

Super Micro Computer, Inc. ("Supermicro") reserves the right to make changes to the product described in this manual at any time and without notice. This product, including software, if any, and documentation may not, in whole or in part, be copied, photocopied, reproduced, translated or reduced to any medium or machine without prior written consent.

IN NO EVENT WILL SUPERMICRO BE LIABLE FOR DIRECT, INDIRECT, SPECIAL, INCIDENTAL, SPECULATIVE OR CONSEQUENTIAL DAMAGES ARISING FROM THE USE OR INABILITY TO USE THIS PRODUCT OR DOCUMENTATION, EVEN IF ADVISED OF THE POSSIBILITY OF SUCH DAMAGES. IN PARTICULAR, SUPERMICRO SHALL NOT HAVE LIABILITY FOR ANY HARDWARE, SOFTWARE, OR DATA STORED OR USED WITH THE PRODUCT, INCLUDING THE COSTS OF REPAIRING, REPLACING, INTEGRATING, INSTALLING OR RECOVERING SUCH HARDWARE, SOFTWARE, OR DATA.

Any disputes arising between manufacturer and customer shall be governed by the laws of Santa Clara County in the State of California, USA. The State of California, County of Santa Clara shall be the exclusive venue for the resolution of any such disputes. Super Micro's total liability for all claims will not exceed the price paid for the hardware product.

California Best Management Practices Regulations for Perchlorate Materials: This Perchlorate warning applies only to products containing CR (Manganese Dioxide) Lithium coin cells. "Perchlorate Material-special handling may apply. See www.dtsc.ca.gov/hazardouswaste/perchlorate"

WARNING: Handling of lead solder materials used in this product may expose you to lead, a chemical known to the State of California to cause birth defects and other reproductive harm.

Manual Revision 1.0d
Release Date: April 2, 2021

Unless you request and receive written permission from Super Micro Computer, Inc., you may not copy any part of this document.

Information in this document is subject to change without notice. Other products and companies referred to herein are trademarks or registered trademarks of their respective companies or mark holders.

Copyright © 2021 by Super Micro Computer, Inc.
All rights reserved.

Printed in the United States of America

Preface

About This Manual

This manual is written for professional system integrators and PC technicians. It provides information for the installation and use of the SC835 3U chassis. Installation and maintenance should be performed by experienced technicians only.

Supermicro's SC835 3U chassis features a unique and highly-optimized design for dual-core Xeon platforms. The chassis is equipped with a redundant 800W high-efficiency power supply. High-performance fans provide ample optimized cooling for FB-DIMM memory modules and 8 hot-swappable drive bays offer maximum storage capacity in a 3U form factor.

This document lists compatible parts available when this document was published. Always refer to the our Web site for updates on supported parts and configurations.

Manual Organization

Chapter 1: Introduction

The first chapter provides a checklist of the main components included with this chassis and contact information.

Chapter 2: Warning Statements for AC Systems

This chapter lists warnings, precautions, and system safety. You should thoroughly familiarize yourself with this chapter for a general overview of safety precautions that should be followed before installing and servicing this chassis.

Chapter 3: Chassis Components

Refer here for details on this chassis model including the fans, bays, airflow shields, and other components.

Chapter 4: System Interface

Chapter 4 provides details on the system interface, which includes the functions and information provided by the control panel and other system LEDs.

Chapter 5: Chassis Setup and Maintenance

Refer to this chapter for detailed information on this chassis. Follow the procedures in this chapter when installing, removing, or reconfiguring your chassis.

Chapter 6: Rack Installation

This chapter details information on chassis rack installation. .

Appendix A: SC835 Chassis Cables

Appendix B: Power Supply Specifications

Appendix C: SAS-833TQ Backplane Specifications

Appendix D: SAS-833A Backplane Specifications

Contents

Chapter 1 Introduction

1-1	Overview	1-1
1-2	Shipping List.....	1-1
	Part Numbers.....	1-1
1-3	Contacting Supermicro.....	1-2
1-4	Returning Merchandise for Service.....	1-3

Chapter 2 Standardized Warning Statements for AC Systems

2-1	About Standardized Warning Statements.....	2-1
	Warning Definition.....	2-1
	Installation Instructions.....	2-4
	Circuit Breaker	2-5
	Power Disconnection Warning.....	2-6
	Equipment Installation.....	2-8
	Restricted Area.....	2-9
	Battery Handling.....	2-10
	Redundant Power Supplies	2-12
	Backplane Voltage	2-13
	Comply with Local and National Electrical Codes	2-14
	Product Disposal.....	2-15
	Hot Swap Fan Warning.....	2-16
	Power Cable and AC Adapter	2-18

Chapter 3 Chassis Components

3-1	Components.....	3-1
	Drive Bays.....	3-1
	Motherboard Support.....	3-1
	Backplane.....	3-1
	Power Supply.....	3-1
	Fans	3-2
	Air Shroud	3-2
	I/O Expansion slots.....	3-2
	Switches and Status Indicators.....	3-2
	Mounting Rails	3-2
3-2	Unpacking the System.....	3-2
3-3	Where to get Replacement Components.....	3-2

Chapter 4 System Interface

4-1	Overview	4-1
4-2	Control Panel Buttons	4-2
4-3	Control Panel LEDs	4-3
4-4	Drive Carrier LEDs	4-4

Chapter 5 Chassis Setup and Maintenance

5-1	Overview	5-1
5-2	Removing the Power Cord	5-1
5-3	Removing the Chassis Cover	5-2
5-4	Installing Drives	5-3
	Installing 3.5" Hard Drives	5-3
	Installing the Slim DVD Drive	5-6
	Using the 5.25" Full--Height Bays	5-6
5-5	Installing the Motherboard	5-7
	Permanent and Optional Standoffs	5-7
	Standoff Labeling	5-7
	Motherboard Installation Procedure	5-8
5-6	Installing Expansion Cards	5-9
5-7	Installing Cooling Elements	5-10
	System Fans	5-11
	Replacing a System Fan	5-11
	Rear System Fans	5-12
	Installing the Rear System Fans	5-12
	Checking the Server Air Flow	5-13
5-8	Power Supply	5-14
	Replacing the Power Supply	5-14
	Replacing the Power Distributor	5-15

Chapter 6 Rack Installation

6-1	Preparing for Setup	6-1
	Choosing a Setup Location	6-1
	Ambient Operating Temperature	6-1
	Adequate Airflow	6-1
	Circuit Overloading	6-2
	Reliable Ground	6-2
	Physical Rack Precautions	6-2
	General Server Precautions	6-2

6-2	Rack Mounting Instructions.....	6-4
	Identifying the Sections of the Rack Rails.....	6-4
	Locking Tabs	6-5
	Releasing the Inner Rail	6-5
	Installing The Inner Rails on the Chassis.....	6-6
	Installing the Outer Rails on the Rack.....	6-7
	Standard Chassis Installation	6-8

Appendix A SC835 Chassis Cables

Appendix B Power Supply Specifications

Appendix C SAS-833TQ Backplane Specifications

C-1	ESD Safety Guidelines	C-1
C-2	General Safety Guidelines	C-1
C-3	An Important Note to Users	C-2
C-4	Introduction to the SAS-833TQ Backplane.....	C-2
C-5	Front Connectors and Jumpers	C-3
	Front Components	C-3
C-6	Front Connector and Pin Definitions.....	C-5
C-7	Front Jumper Locations and Pin Definitions.....	C-7
	Fan Jumper Settings.....	C-8
	I ² C and SGPIO Modes and Jumper Settings	C-9
	Front LED Indicators.....	C-10
C-8	Rear Connectors and LED Indicators	C-11

Appendix D SAS-833A Backplane Specifications

D-1	ESD Safety Guidelines	D-1
D-2	General Safety Guidelines	D-1
D-3	An Important Note to Users	D-2
D-4	Introduction to the SAS3-833A Backplane.....	D-2
D-5	Front Connectors	C-3
D-6	Front Connector Pin Definitions.....	C-4
D-7	Front Connector and Pin Definitions.....	C-5
D-8	Front Jumper Locations and Pin Definitions.....	C-7
D-9	Rear Connectors and LED Indicators	C-8

Notes

Chapter 1

Introduction

1-1 Overview

Supermicro's SC835 3U chassis features a unique and highly-optimized design. The chassis is equipped with a redundant high-efficiency power supply. High-performance fans provide ample optimized cooling and 8 hot-swappable drive bays offer maximum storage capacity in a 3U form factor.

Note: A complete list of safety warnings is provided on the Supermicro web site at http://www.supermicro.com/about/policies/safety_information.cfm.

1-2 Shipping List

Part Numbers

Please visit the following link for the latest shipping lists and part numbers for your particular chassis model:

<http://www.supermicro.com/products/chassis/3U/?chs=835>

SC835 Chassis Series			
Model	HDD	I/O Slots	Power Supply
CSE-C835TQ-R800B	8x 3.5" SAS / SATA hot swappable drive trays	7x FF	800W Redundant
CSE-835TQ-R920B	8x 3.5" SAS / SATA hot swappable drive trays	7x FF	920W Redundant (Platinum level)
CSE-835TQC-R802B	8x 3.5" SAS / SATA hot swappable drive trays	7x FF	800W Redundant (Platinum level)
CSE-835TQC-R1K03B	8x 3.5" SAS / SATA hot swappable drive trays	7x FF	1000W Redundant (Platinum level)

1-3 Contacting Supermicro

Headquarters

Address: Super Micro Computer, Inc.
980 Rock Ave.
San Jose, CA 95131 U.S.A.

Tel: +1 (408) 503-8000

Fax: +1 (408) 503-8008

Email: marketing@supermicro.com (General Information)
support@supermicro.com (Technical Support)

Website: www.supermicro.com

Europe

Address: Super Micro Computer B.V.
Het Sterrenbeeld 28, 5215 ML
's-Hertogenbosch, The Netherlands

Tel: +31 (0) 73-6400390

Fax: +31 (0) 73-6416525

Email: sales@supermicro.nl (General Information)
support@supermicro.nl (Technical Support)
rma@supermicro.nl (Customer Support)

Asia-Pacific

Address: Super Micro Computer, Inc.
3F, No. 150, Jian 1st Rd.
Zhonghe Dist., New Taipei City 235
Taiwan, R.O.C.

Tel: +886-(2) 8226-3990

Fax: +886-(2) 8226-3991

Web Site: www.supermicro.com.tw

Technical Support:

Email: support@supermicro.com.tw

Website: www.supermicro.com.tw

1-4 Returning Merchandise for Service

A receipt or copy of your invoice marked with the date of purchase is required before any warranty service will be rendered. You can obtain service by calling your vendor for a Returned Merchandise Authorization (RMA) number. When returning to the manufacturer, the RMA number should be prominently displayed on the outside of the shipping carton, and mailed prepaid or hand-carried. Shipping and handling charges will be applied for all orders that must be mailed when service is complete.

For faster service, RMA authorizations may be requested online (<http://www.supermicro.com/support/rma/>).

Whenever possible, repack the chassis in the original Supermicro carton, using the original packaging material. If these are no longer available, be sure to pack the chassis securely, using packaging material to surround the chassis so that it does not shift within the carton and become damaged during shipping.

This warranty only covers normal consumer use and does not cover damages incurred in shipping or from failure due to the alteration, misuse, abuse or improper maintenance of products.

During the warranty period, contact your distributor first for any product problems.

Notes

Chapter 2

Standardized Warning Statements for AC Systems

2-1 About Standardized Warning Statements

The following statements are industry standard warnings, provided to warn the user of situations which have the potential for bodily injury. Should you have questions or experience difficulty, contact Supermicro's Technical Support department for assistance. Only certified technicians should attempt to install or configure components.

Read this appendix in its entirety before installing or configuring components in the Supermicro chassis.

These warnings may also be found on our web site at http://www.supermicro.com/about/policies/safety_information.cfm.

Warning Definition



Warning!

This warning symbol means danger. You are in a situation that could cause bodily injury. Before you work on any equipment, be aware of the hazards involved with electrical circuitry and be familiar with standard practices for preventing accidents.

警告の定義

この警告サインは危険を意味します。

人身事故につながる可能性がありますので、いずれの機器でも動作させる前に、

電気回路に含まれる危険性に注意して、標準的な事故防止策に精通して下さい。

此警告符号代表危。

您正处于可能受到重害的工作环境中。在您使用 始工作之前，必 充分 意 到触 的危 ，并熟 掌握防止事故 生的 准工作程序。 根据每 警告 尾的声明号 找到此 的安全性警告 明的翻 文本。

此警告符號代表危險。

您正處於可能身體可能會受損傷的工作環境中。在您使用任何設備之前，請注意觸電的危險，並且要熟悉預防事故發生的標準工作程序。請依照每一注意事項後的號碼找到相關的翻譯說明內容。

Warnung

WICHTIGE SICHERHEITSHINWEISE

Dieses Warnsymbol bedeutet Gefahr. Sie befinden sich in einer Situation, die zu Verletzungen führen kann. Machen Sie sich vor der Arbeit mit Geräten mit den Gefahren elektrischer Schaltungen und den üblichen Verfahren zur Vorbeugung vor Unfällen vertraut. Suchen Sie mit der am Ende jeder Warnung angegebenen Anweisungsnummer nach der jeweiligen Übersetzung in den übersetzten Sicherheitshinweisen, die zusammen mit diesem Gerät ausgeliefert wurden.

BEWAHREN SIE DIESE HINWEISE GUT AUF.

INSTRUCCIONES IMPORTANTES DE SEGURIDAD

Este símbolo de aviso indica peligro. Existe riesgo para su integridad física. Antes de manipular cualquier equipo, considere los riesgos de la corriente eléctrica y familiarícese con los procedimientos estándar de prevención de accidentes. Al final de cada advertencia encontrará el número que le ayudará a encontrar el texto traducido en el apartado de traducciones que acompaña a este dispositivo.

GUARDE ESTAS INSTRUCCIONES.

IMPORTANTES INFORMATIONS DE SÉCURITÉ

Ce symbole d'avertissement indique un danger. Vous vous trouvez dans une situation pouvant entraîner des blessures ou des dommages corporels. Avant de travailler sur un équipement, soyez conscient des dangers liés aux circuits électriques et familiarisez-vous avec les procédures couramment utilisées pour éviter les accidents. Pour prendre connaissance des traductions des avertissements figurant dans les consignes de sécurité traduites qui accompagnent cet appareil, référez-vous au numéro de l'instruction situé à la fin de chaque avertissement.

CONSERVEZ CES INFORMATIONS.

חשובות הבהרות אזהרה

סמל הזהרה מצביע על סכנת פציעות או נזק גופני. לפני שיבצעו כל עבודה על ציוד, יש להכיר את סכנות החשמל והשימוש הנכון בציוד. יש להימנע משימוש בציוד שאינו מאושר על ידי יצרן הציוד. יש להקפיד על כללי הבטיחות המפורטים בהנחיות השימוש. יש להקפיד על כללי הבטיחות המפורטים בהנחיות השימוש. יש להקפיד על כללי הבטיחות המפורטים בהנחיות השימוש.

**تحذير! هذا الرمز يعني خطر اصابة في حالة يمكن ان تتسبب في اصابة جسدية .
قبل ان تعمل على أي معدات يمكن طم بالمخاطر الناتجة عن الدوائر
الكهربائية
وكن على دراية بالعمليات الوقائية لمنع وقوع أي حوادث
استخدم رقم البيان المتخصص في نهاية كل تحذير للتحقق من ترجمتها**

안전을 위한 주의사항

경고!

이 경고 기호는 위험이 있음을 알려 줍니다. 작업자의 신체에 부상을 야기 할 수 있는 상태에 있게 됩니다. 모든 장비에 대한 작업을 수행하기 전에 전기회로와 관련된 위험요소들을 확인하시고 사전에 사고를 방지할 수 있도록 표준 작업절차를 준수해 주시기 바랍니다.

해당 번역문을 찾기 위해 각 경고의 마지막 부분에 제공된 경고문 번호를 참조하십시오

BELANGRIJKE VEILIGHEIDSIINSTRUCTIES

Dit waarschuwings symbool betekent gevaar. U verkeert in een situatie die lichamelijk letsel kan veroorzaken. Voordat u aan enige apparatuur gaat werken, dient u zich bewust te zijn van de bij een elektrische installatie betrokken risico's en dient u op de hoogte te zijn van de standaard procedures om ongelukken te voorkomen. Gebruik de nummers aan het eind van elke waarschuwing om deze te herleiden naar de desbetreffende locatie.

BEWAAR DEZE INSTRUCTIES

Installation Instructions



Warning!

Read the installation instructions before connecting the system to the power source.

設置手順書

システムを電源に接続する前に、設置手順書をお読み下さい。

警告

将此系 接 源前，先 安 明。

警告

將系統與電源連接前，請先閱讀安裝說明。

Warnung

Vor dem Anschließen des Systems an die Stromquelle die Installationsanweisungen lesen.

¡Advertencia!

Lea las instrucciones de instalación antes de conectar el sistema a la red de alimentación.

Attention

Avant de brancher le système sur la source d'alimentation, consulter les directives d'installation.

⚠️ **חשוב: קראו את הוראות התקנה לפני שתחברו את המערכת למקור האנרגיה.**

قبل تركيب التركيب قبل توصيل النظام إلى مصدر الطاقة

시스템을 전원에 연결하기 전에 설치 안내를 읽어주시시오.

Waarschuwing

Raadpleeg de installatie-instructies voordat u het systeem op de voedingsbron aansluit.

Circuit Breaker



Warning!

This product relies on the building's installation for short-circuit (overcurrent) protection. Ensure that the protective device is rated not greater than: 250 V, 20 A.

サーキット・ブレーカー

この製品は、短絡(過電流)保護装置がある建物での設置を前提としています。

保護装置の定格が250 V、20 Aを超えないことを確認下さい。

警告

此产品的短路(过流)保护由建筑物的供电系统提供,确保短路保护的额定流不大于250V,20A。

警告

此产品的短路(过载电流)保护由建筑物的供电系统提供,确保短路保护设备的额定电流不大于250V,20A。

Warnung

Dieses Produkt ist darauf angewiesen, dass im Gebäude ein Kurzschluss- bzw. Überstromschutz installiert ist. Stellen Sie sicher, dass der Nennwert der Schutzvorrichtung nicht mehr als: 250 V, 20 A beträgt.

¡Advertencia!

Este equipo utiliza el sistema de protección contra cortocircuitos (o sobrecorrientes) del edificio. Asegúrese de que el dispositivo de protección no sea superior a: 250 V, 20 A.

Attention

Pour ce qui est de la protection contre les courts-circuits (surtension), ce produit dépend de l'installation électrique du local. Vérifiez que le courant nominal du dispositif de protection n'est pas supérieur à :250 V, 20 A.

תוצר זה מסתמך על המהות המבטיחה לשימוש קצר המסוגל. יש לוודא כי המכשיר והגן מפני תוצר המסוגל הוא לא יותר מ-250V, 20A.

هذا المنتج يعتمد على معدات الحماية من الدوائر القصيرة التي تم تثبيتها في المبنى
تأكد من أن تسمية للجهاز الوتقي ليس أكثر من: 250V, 20A

경고!

이 제품은 전원의 단락(과전류)방지에 대해서 전적으로 건물의 관련 설비에 의존합니다. 보호장치의 정격이 반드시 250V(볼트), 20A(암페어)를 초과하지 않도록 해야 합니다.

Waarschuwing

Dit product is afhankelijk van de kortsluitbeveiliging (overspanning) van uw elektrische installatie. Controleer of het beveiligde apparaat niet groter gedimensioneerd is dan 220V, 20A.

Power Disconnection Warning



Warning!

The system must be disconnected from all sources of power and the power cord removed from the power supply module(s) before accessing the chassis interior to install or remove system components.



電源切断の警告

システムコンポーネントの取り付けまたは取り外しのために、シャーシー内部にアクセスするには、

システムの電源はすべてのソースから切断され、電源コードは電源モジュールから取り外す必要があります。

警告

在你打 机箱并安 或移除内部器件前,必 将系 完全断 ,并移除 源 。

警告

在您打開機殼安裝或移除内部元件前，必須將系統完全斷電，並移除電源線。

Warnung

Das System muss von allen Quellen der Energie und vom Netzanschlusskabel getrennt sein, das von den Spg.Versorgungsteilmodulen entfernt wird, bevor es auf den Chassisinnenraum zurückgreift, um Systemsbestandteile anzubringen oder zu entfernen.

¡Advertencia!

El sistema debe ser disconnected de todas las fuentes de energía y del cable eléctrico quitado de los módulos de fuente de alimentación antes de tener acceso el interior del chasis para instalar o para quitar componentes de sistema.

Attention

Le système doit être débranché de toutes les sources de puissance ainsi que de son cordon d'alimentation secteur avant d'accéder à l'intérieur du châssis pour installer ou enlever des composants de système.

אזהרה!
יש לנתק את המקורות של תקורות החשמל ויש להסיר את כבל החשמל קודם לכן לפני גישה לחלק הפנימי של המקור לצורך התקנה או הסרת רכיבים.

يجب فصل النظام من جميع مصادر الطاقة وإزالة سلك الكهرباء من وحدة امداد الطاقة قبل التوصل إلى المناطق الداخلية ليكامل تثبيت أو إزالة مكونات الجهاز

경고!

시스템에 부품들을 장착하거나 제거하기 위해서는 새시 내부에 접근하기 전에 반드시 전원 공급장치로부터 연결되어있는 모든 전원과 전기코드를 분리해주어야 합니다.

Waarschuwing

Voordat u toegang neemt tot het binnenwerk van de behuizing voor het installeren of verwijderen van systeem onderdelen, dient u alle spanningsbronnen en alle stroomkabels aangesloten op de voeding(en) van de behuizing te verwijderen

Equipment Installation



Warning!

Only trained and qualified personnel should be allowed to install, replace, or service this equipment.

機器の設置

トレーニングを受け認定された人だけがこの装置の設置、交換、またはサービスを許可されています。

警告

只有 过培 且具有 格的人 才能 行此 的安 、更 和 修。

警告

只有經過受訓且具資格人員才可安裝、更換與維修此設備。

Warnung

Das Installieren, Ersetzen oder Bedienen dieser Ausrüstung sollte nur geschultem, qualifiziertem Personal gestattet werden.

¡Advertencia!

Solamente el personal calificado debe instalar, reemplazar o utilizar este equipo.

Attention

Il est vivement recommandé de confier l'installation, le remplacement et la maintenance de ces équipements à des personnels qualifiés et expérimentés.

⚠️
על ידי אנשי צוות מוסמכים בלבד יש להשתמש במכשיר זה. לא להשתמש בו אלא לצורכי תחזוקה בלבד.

يجب أن يسمح فقط للموظفين المؤهلين والمدربين لتثبيت واستبدال أو خدمة هذا الجهاز.

경고!

훈련을 받고 공인된 기술자만이 이 장비의 설치, 교체 또는 서비스를 수행할 수 있습니다.

Waarschuwing

Deze apparatuur mag alleen worden geïnstalleerd, vervangen of hersteld door geschoold en gekwalificeerd personeel.

Restricted Area



Warning!

This unit is intended for installation in restricted access areas. A restricted access area can be accessed only through the use of a special tool, lock and key, or other means of security. (This warning does not apply to workstations).

アクセス制限区域

このユニットは、アクセス制限区域に設置されることを想定しています。

アクセス制限区域は、特別なツール、鍵と錠前、その他のセキュリティの手段を用いてのみ出入りが可能です。

警告

此部件 安 在限制 出的 所，限制 出的 所指只能通过使用特殊工具、和 匙或其它安全手段 出的 所。

警告

此裝置僅限安裝於進出管制區域，進出管制區域係指僅能以特殊工具、鎖頭及鑰匙 或其他安全方式才能進入的區域。

Warnung

Diese Einheit ist zur Installation in Bereichen mit beschränktem Zutritt vorgesehen. Der Zutritt zu derartigen Bereichen ist nur mit einem Spezialwerkzeug, Schloss und Schlüssel oder einer sonstigen Sicherheitsvorkehrung möglich.

¡Advertencia!

Esta unidad ha sido diseñada para instalación en áreas de acceso restringido. Sólo puede obtenerse acceso a una de estas áreas mediante la utilización de una herramienta especial, cerradura con llave u otro medio de seguridad.

Attention

Cet appareil doit être installée dans des zones d'accès réservés. L'accès à une zone d'accès réservé n'est possible qu'en utilisant un outil spécial, un mécanisme de verrouillage et une clé, ou tout autre moyen de sécurité.

אזהרה

אזהרה!
 יש להחליף את הרכיבים באזהרה שלפני העברת גישה הנגישה לזרועות המערכת
 בלי אמצעים בלתי נכונים, (למשל חוטי).

تم تخصيص هذه الوحدة لتثبيتها في مناطق مخطورة .
 يمكن الوصول إلى منطقة مخطورة فقط من خلال استخدام أداة خاصة
 قفل ومفتاح أو أي وسيلة أخرى للأمان

경고!

이 장치는 접근이 제한된 구역에 설치하도록 되어있습니다. 특수도구, 잠금 장치 및 키, 또는 기타 보안 수단을 통해서만 접근 제한 구역에 들어갈 수 있습니다.

Waarschuwing

Dit apparaat is bedoeld voor installatie in gebieden met een beperkte toegang. Toegang tot dergelijke gebieden kunnen alleen verkregen worden door gebruik te maken van speciaal gereedschap, slot en sleutel of andere veiligheidsmaatregelen.

Battery Handling



Warning!

There is the danger of explosion if the battery is replaced incorrectly. Replace the battery only with the same or equivalent type recommended by the manufacturer. Dispose of used batteries according to the manufacturer's instructions

電池の取り扱い

電池交換が正しく行われなかった場合、破裂の危険性があります。交換する電池はメーカーが推奨する型、または同等のものを使用下さい。使用済電池は製造元の指示に従って処分して下さい。

警告

池更 不当会有爆炸危 。 只使用同类 池或制造商推荐的功能相当的 池更原有 池。 按制造商的 明处理 旧 池。

警告

電池更換不當會有爆炸危險。請使用製造商建議之相同或功能相當的電池更換原有電池。請按照製造商的說明指示處理廢棄舊電池。

Warnung

Bei Einsetzen einer falschen Batterie besteht Explosionsgefahr. Ersetzen Sie die Batterie nur durch den gleichen oder vom Hersteller empfohlenen Batterietyp. Entsorgen Sie die benutzten Batterien nach den Anweisungen des Herstellers.

Attention

Danger d'explosion si la pile n'est pas remplacée correctement. Ne la remplacer que par une pile de type semblable ou équivalent, recommandée par le fabricant. Jeter les piles usagées conformément aux instructions du fabricant.

¡Advertencia!

Existe peligro de explosión si la batería se reemplaza de manera incorrecta. Reemplazar la batería exclusivamente con el mismo tipo o el equivalente recomendado por el fabricante. Desechar las baterías gastadas según las instrucciones del fabricante.

⚠️
קיימת סכנת פיצוץ של הסוללה במקרה החלפה בדרך לא נכונה. יש להחליף את הסוללה בלבד במסגרת הנחיות היצרן.
סילוק הסוללות המנוהלות יש לבצע לפי הנחיות היצרן.

هناك خطر من انفجار في حالة استبدال البطارية بطريقة غير صحيحة. استبدل البطارية فقط بنفس النوع أو ما يخلها كما أوصت به الشركة المصنعة. التخلص من البطاريات المستهلكة وفقاً لتعليمات الشركة المصنعة.

경고!

배터리가 올바르게 교체되지 않으면 폭발의 위험이 있습니다. 기존 배터리와 동일하거나 제조사에서 권장하는 동등한 종류의 배터리로만 교체해야 합니다. 제조사의 안내에 따라 사용된 배터리를 처리하여 주십시오.

Waarschuwing

Er is ontploffingsgevaar indien de batterij verkeerd vervangen wordt. Vervang de batterij slechts met hetzelfde of een equivalent type die door de fabrikant aanbevolen wordt. Gebruikte batterijen dienen overeenkomstig fabrieksvoorschriften afgevoerd te worden.

Redundant Power Supplies



Warning!

This unit might have more than one power supply connection. All connections must be removed to de-energize the unit.

冗長電源装置

このユニットは複数の電源装置が接続されている場合があります。
ユニットの電源を切るためには、すべての接続を取り外さなければなりません。

警告

此部件 接的 源可能不止一个，必 将所有 源断 才能停止 部件供 。

警告

此裝置連接的電源可能不只一個，必須切斷所有電源才能停止對該裝置的供電。

Warnung

Dieses Gerät kann mehr als eine Stromzufuhr haben. Um sicherzustellen, dass der Einheit kein Strom zugeführt wird, müssen alle Verbindungen entfernt werden.

¡Advertencia!

Puede que esta unidad tenga más de una conexión para fuentes de alimentación. Para cortar por completo el suministro de energía, deben desconectarse todas las conexiones.

Attention

Cette unité peut avoir plus d'une connexion d'alimentation. Pour supprimer toute tension et tout courant électrique de l'unité, toutes les connexions d'alimentation doivent être débranchées.

אם קיים יותר מקשר אחד

אזהרה!
ליחידה יש יותר מקושר אחד של חשמל. יש להסיר את כל הקשרים על סמך לחיצה
התאמת.

قد يكون لهذا الجهاز عدة اتصالات يوحدات اعداد الطاقة.
يجب إزالة كافة الاتصالات لعزل الوحدة عن الكسبيل.

경고!

이 장치에는 한 개 이상의 전원 공급 단자가 연결되어 있을 수 있습니다. 이 장치에 전원을 차단하기 위해서는 모든 연결 단자를 제거해야만 합니다.

Waarschuwing

Deze eenheid kan meer dan één stroomtoevoeraansluiting bevatten. Alle aansluitingen dienen verwijderd te worden om het apparaat stroomloos te maken.

Backplane Voltage



Warning!

Hazardous voltage or energy is present on the backplane when the system is operating. Use caution when servicing.

バックプレーンの電圧

システムの稼働中は危険な電圧または電力が、バックプレーン上にかかっています。

修理する際にはご注意ください。

警告

当系 正在 行时，背板上有很危 的 压或能量， 行 修时 必小心。

警告

當系統正在進行時，背板上有危險的電壓或能量，進行維修時務必小心。

Warnung

Wenn das System in Betrieb ist, treten auf der Rückwandplatine gefährliche Spannungen oder Energien auf. Vorsicht bei der Wartung.

¡Advertencia!

Cuando el sistema está en funcionamiento, el voltaje del plano trasero es peligroso. Tenga cuidado cuando lo revise.

Attention

Lorsque le système est en fonctionnement, des tensions électriques circulent sur le fond de panier. Prendre des précautions lors de la maintenance.

תנאי התקנה

אזהרה

יש להקפיד על כללי התקנה הנכונים כדי להבטיח את אמינות המערכת.

هناك خطر من التيار الكهربائي أو الطاقة الموجودة على اللوحة عندما يكون النظام يعمل كن حذرا عند خدمة هذا الجهاز

경고!

시스템이 동작 중일 때 후면판 (Backplane)에는 위험한 전압이나 에너지가 발생합니다. 서비스 작업 시 주의하십시오.

Waarschuwing

Een gevaarlijke spanning of energie is aanwezig op de backplane wanneer het systeem in gebruik is. Voorzichtigheid is geboden tijdens het onderhoud.

Comply with Local and National Electrical Codes



Warning!

Installation of the equipment must comply with local and national electrical codes.

地方および国の電気規格に準拠

機器の取り付けはその地方および国の電気規格に準拠する必要があります。

警告

安 必 符合本地与本国 气法 。

警告

設備安裝必須符合本地與本國電氣法規。

Warnung

Die Installation der Geräte muss den Sicherheitsstandards entsprechen.

¡Advertencia!

La instalacion del equipo debe cumplir con las normas de electricidad locales y nacionales.

Attention

L'équipement doit être installé conformément aux normes électriques nationales et locales.

תשומת לב! התקנת המוצר חייבת להיות בהתאמה לנורמות החשמל והקשרים המקומיים והלאומיים.

אזהרה!
התקנת המוצר חייבת להיות בהתאמה לנורמות החשמל והקשרים המקומיים והלאומיים.

تركيب المعدات الكهربائية يجب أن يمثل التوافق مع المواصفات الوطنية المتعلقة بالكهرباء

경고!

현 지역 및 국가의 전기 규정에 따라 장비를 설치해야 합니다.

Waarschuwing

Bij installatie van de apparatuur moet worden voldaan aan de lokale en nationale elektriciteitsvoorschriften.

Product Disposal



Warning!

Ultimate disposal of this product should be handled according to all national laws and regulations.

製品の廃棄

この製品を廃棄処分する場合、国の関係する全ての法律・条例に従い処理する必要があります。

警告

本产品的弃处理 根据所有国家的法律和 章 行。

警告

本产品的廢棄處理應根據所有國家的法律和規章進行。

Warnung

Die Entsorgung dieses Produkts sollte gemäß allen Bestimmungen und Gesetzen des Landes erfolgen.

¡Advertencia!

Al deshacerse por completo de este producto debe seguir todas las leyes y reglamentos nacionales.

Attention

La mise au rebut ou le recyclage de ce produit sont généralement soumis à des lois et/ou directives de respect de l'environnement. Renseignez-vous auprès de l'organisme compétent.

פירוק והסרה

אזהרה!

פירוק מוצר של סוויץ זה חייב להיות באמצעות לוחיות חוקי המדינה

عند التخلص النهائي من هذا المنتج ينبغي التعامل معه وفقا لجميع القوانين واللوائح الوطنية

경고!

이 제품은 해당 국가의 관련 법규 및 규정에 따라 폐기되어야 합니다.

Waarschuwing

De uiteindelijke verwijdering van dit product dient te geschieden in overeenstemming met alle nationale wetten en reglementen.

Hot Swap Fan Warning



Warning!

The fans might still be turning when you remove the fan assembly from the chassis. Keep fingers, screwdrivers, and other objects away from the openings in the fan assembly's housing.

ファン・ホットスワップの警告

シャーシから冷却ファン装置を取り外した際、ファンがまだ回転している可能性があります。ファンの開口部に、指、ドライバー、およびその他のものを近づけないで下さい。

警告

当您从机架移除扇置，扇可能仍在动。小心不要将手指、螺起子和其他物品太靠近扇

警告

當您從機架移除風扇裝置，風扇可能仍在轉動。小心不要將手指、螺絲起子和其他物品太靠近風扇。

Warnung

Die Lüfter drehen sich u. U. noch, wenn die Lüfterbaugruppe aus dem Chassis genommen wird. Halten Sie Finger, Schraubendreher und andere Gegenstände von den Öffnungen des Lüftergehäuses entfernt.

¡Advertencia!

Los ventiladores podran dar vuelta cuando usted quite el montaje del ventilador del chasis. Mantenga los dedos, los destornilladores y todos los objetos lejos de las aberturas del ventilador

Attention

Il est possible que les ventilateurs soient toujours en rotation lorsque vous retirerez le bloc ventilateur du châssis. Prenez garde à ce que doigts, tournevis et autres objets soient éloignés du logement du bloc ventilateur.

تنبيه!
بمجرد إزالة وحدة المراوح من الهيكل، قد لا تزال المراوح تدور. يرجى إبقاء الأصابع ومفاتيح البراغي وغيرها من الأشياء بعيداً عن الفتحات في كتلة المراوح.

من الممكن أن المراوح لا تزال تدور عند إزالة كتلة المراوح من الهيكل يجب إبقاء الأصابع ومفاتيح البراغي وغيرها من الأشياء بعيداً عن الفتحات في كتلة المراوح.

경고!

새시로부터 팬 조립품을 제거할 때 팬은 여전히 회전하고 있을 수 있습니다. 팬 조립품 외관의 열려있는 부분들로부터 손가락 및 스크류드라이버, 다른 물체들이 가까이 하지 않도록 배치해 주십시오.

Waarschuwing

Het is mogelijk dat de ventilator nog draait tijdens het verwijderen van het ventilatorsamenstel uit het chassis. Houd uw vingers, schroevendraaiers en eventuele andere voorwerpen uit de buurt van de openingen in de ventilatorbehuizing.

Power Cable and AC Adapter



Warning!

When installing the product, use the provided or designated connection cables, power cables and AC adaptors. Using any other cables and adaptors could cause a malfunction or a fire. Electrical Appliance and Material Safety Law prohibits the use of UL or CSA -certified cables (that have UL/CSA shown on the code) for any other electrical devices than products designated by Supermicro only.

電源コードとACアダプター

製品を設置する場合、提供または指定された接続ケーブル、電源コードとACアダプターを使用下さい。他のケーブルやアダプタを使用すると故障や火災の原因になることがあります。電気用品安全法は、ULまたはCSA認定のケーブル(UL/CSAマークがコードに表記)を Supermicroが指定する製品以外に使用することを禁止しています。

警告

安 此 品 時 ， 使用 本 身 提 供 的 或 指 定 的 接 線 ， 源 和 源 适 配 器 。 使用 其 它 材 或 适 配 器 可 能 会 引 起 故 障 或 火 灾 。 除 了 Supermicro 所 指 定 的 产 品 ， 电 气 用 品 和 材 料 安 全 法 律 定 禁 止 使 用 未 UL 或 CSA 的 材 。 (材 上 会 示 UL/CSA 符 号) 。

警告

安 裝 此 產 品 時 ， 請 使 用 本 身 提 供 的 或 指 定 的 連 接 線 ， 電 源 線 和 電 源 適 配 器 。 使 用 其 它 線 材 或 適 配 器 可 能 會 引 起 故 障 或 火 災 。 除 了 Supermicro 所 指 定 的 產 品 ， 電 氣 用 品 和 材 料 安 全 法 律 規 定 禁 止 使 用 未 經 UL 或 CSA 認 證 的 線 材 。 (線 材 上 會 顯 示 UL/CSA 符 號) 。

Warnung

Bei der Installation des Produkts, die zur Verfügung gestellten oder benannt Anschlusskabel, Stromkabel und Netzteile. Verwendung anderer Kabel und Adapter kann zu einer Fehlfunktion oder ein Brand entstehen. Elektrische Geräte und Material Safety Law verbietet die Verwendung von UL- oder CSA-zertifizierte Kabel, UL oder CSA auf der Code für alle anderen elektrischen Geräte als Produkte von Supermicro nur bezeichnet gezeigt haben.

¡Advertencia!

Al instalar el producto, utilice los cables de conexión previstos o designados, los cables y adaptadores de CA. La utilización de otros cables y adaptadores podría ocasionar un mal funcionamiento o un incendio. Aparatos Eléctricos y la Ley de Seguridad del Material prohíbe el uso de UL o CSA cables certificados que tienen UL o CSA se muestra en el código de otros dispositivos eléctricos que los productos designados por Supermicro solamente.

Attention

Lors de l'installation du produit, utilisez les bables de connection fournis ou désigné. L'utilisation d'autres cables et adaptateurs peut provoquer un dysfonctionnement ou un incendie. Appareils électroménagers et de loi sur la sécurité Matériel interdit l'utilisation de UL ou CSA cables certifiés qui ont UL ou CSA indiqué sur le code pour tous les autres appareils électriques que les produits désignés par Supermicro seulement.

התקנת מוצר AC**חשוב!**

באמצעות התקנת מוצר זה, יש להשתמש בבלבליים שסופקו והוצגו ב-AC מוצר זה. שימוש בבלבליים אחרים או בבלבליים אחרים עלול לגרום לתפקוד לא קצת והסכנה. כל פי חוקי ארצות הברית ובמיוחד חוקי ארצות הברית קיים אסור להשתמש בבלבליים המסומנים ב-UL או ב-CSA. נא להשתמש בבלבליים עליהם קוד של UL/CSA עבור כל מוצר והספקי אחר שלא מין על ידי המפיקים בלבד.

עוד תרכיב ליהאז יגייב אשתחאמ קאילאט אל וסולל סולאילאט ללכר יפורה ומסולאט אל תיאר אל עטר דד
 ללל - אן אשתחאמ איל קאילאט ומסולאט אחר יתמייב פי חלול עטל אן חריר.
 אן חוקיר הא לל אע אל עטר
 אל איהזה ללכר יפורה ומולל קלון ללללמה יטטר אשתחאמ קאילאט CSA או UL
 מסעדה מן קיל
 לל איהזה ללכר יפורה אחר יטר אל עטר ללללמה ללסעה מן קיל Supermicro
 (ללל עטל עטמה UL/CSA)

경고!

제품을 설치할 때에는 제공되거나 지정된 연결케이블과 전원케이블, AC 어댑터를 사용해야 합니다. 그 밖의 다른 케이블들이나 어댑터들은 고장 또는 화재의 원인이 될 수 있습니다. 전기용품안전법 (Electrical Appliance and Material Safety Law)은 슈퍼마이크로에서 지정한 제품들 외에는 그 밖의 다른 전기 장치들을 위한 UL 또는 CSA에서 인증한 케이블(전선 위에 UL/CSA가 표시)들의 사용을 금지합니다.

Waarschuwing

Bij het installeren van het product, gebruik de meegeleverde of aangewezen kabels, stroomkabels en adapters. Het gebruik van andere kabels en adapters kan leiden tot een storing of een brand. Elektrisch apparaat en veiligheidsinformatiebladen wet verbiedt het gebruik van UL of CSA gecertificeerde kabels die UL of CSA die op de code voor andere elektrische apparaten dan de producten die door Supermicro alleen.

Notes

Chapter 3

Chassis Components

This chapter describes some common components included with your chassis. For the latest information and shipping lists, visit: <http://www.supermicro.com>.

3-1 Components

Drive Bays

The SC835 chassis supports all of the below:

- Eight 3.5" SAS/SATA hot-swap hard drives. SAS or enterprise SATA are recommended. Hard drives must be purchased separately.
- Two 5.25" full-height, full-length bays that can house additional hard drives, removable media drives, or other peripheral drives.
- A slim DVD drive.
- One additional vertically oriented bay for a peripheral drive or fixed hard disk drive.

Motherboard Support

The maximum motherboard size is 13.68" x 13" supporting Intel and AMD Quad processors. Refer to www.supermicro.com for updates.

Backplane

The chassis comes with a backplane for SAS or SATA drives. For more information, see the appendix in this manual.

Power Supply

Each chassis includes two redundant high-efficiency, hot-swappable power supplies. Model options allow 800W, 920W, or 1000W, the latter two with an 80+ Platinum level certification.

Fans

The chassis accepts three 8cm hot-swappable central fans and two 8cm rear exhaust fan. These fans are powered by 3-pin connectors from the motherboard. .

Air Shroud

Air shrouds funnel air directly to where it is needed for cooling. Always use the air shroud included with your chassis.

I/O Expansion slots

The chassis includes seven full-height, full-length I/O expansion slots..

Switches and Status Indicators

The chassis also includes a convenient power switch, reset button, LED indicators, and a chassis intrusion switch.

Mounting Rails

Rails for mounting your chassis in a rack are included.

3-2 Unpacking the System

Inspect the box in which the chassis was shipped and note if it was damaged. If the chassis itself shows damage, file a damage claim with the carrier.

3-3 Where to get Replacement Components

Infrequently, you may need replacement parts for your system. To ensure the highest level of professional service and technical support, we strongly recommend purchasing exclusively from our Supermicro Authorized Distributors/System Integrators/Resellers. A list of Supermicro Authorized Distributors/System Integrators/Resellers can be found at: <http://www.supermicro.com>. Click the Where to Buy link.

Chapter 4

System Interface

4-1 Overview

There are several LEDs on the control panel and others on the drive carriers to keep you informed of the overall status of the system and the activity and health of specific components. The chassis control panel includes a reset button and an on/off switch. This chapter explains the meanings of the LED indicators and the appropriate responses

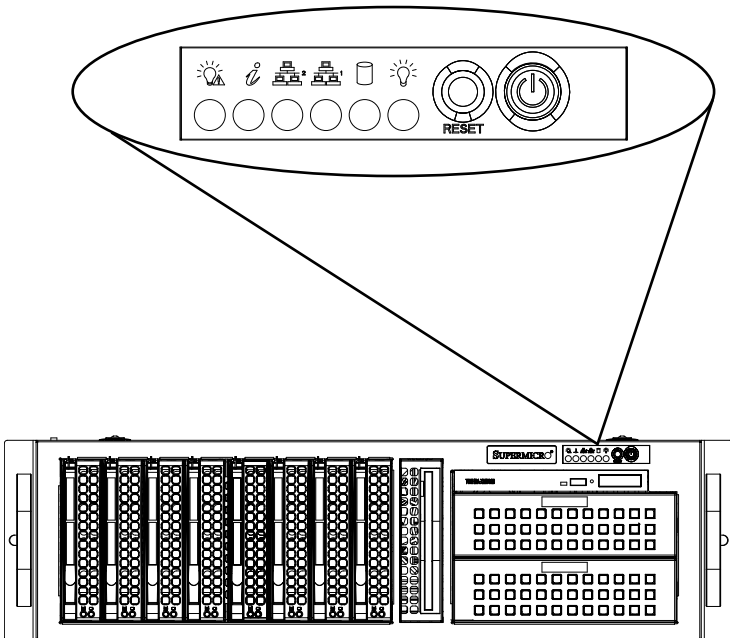


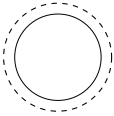
Figure 4-1. Front Panel

4-2 Control Panel Buttons

There are two push-buttons located on the front of the chassis.



- **Power:** The main power switch is used to apply or remove power from the power supply to the server system. Turning off system power with this button removes the main power but keeps standby power supplied to the system. Therefore, you must unplug system before servicing.



- **Reset:** The reset button is used to reboot the system.

4-3 Control Panel LEDs

- The control panel on the front of the chassis has six status LEDs.



- **Power Failure:** When this LED flashes, it indicates a power failure in the power supply.



- **Alert:** This LED is illuminated when an alert condition occurs.

Informational LED	
Status	Description
Continuously on and red	An overheat condition has occurred. (This may be caused by cable congestion)
Blinking red (1Hz)	Fan failure, check for an inoperative fan.
Blinking red (0.25Hz)	Power failure, check for a non-operational power supply
Solid blue	Local UID has been activated. Use this function to locate the server in a rack mount environment.
Blinking blue	Remote UID is on. Use this function to identify the server from a remote location.



- **NIC2:** Indicates network activity on LAN2 when flashing.



- **NIC1:** Indicates network activity on LAN1 when flashing.



- **HDD:** Indicates IDE channel activity. SAS/SATA drive and/or DVD-ROM drive activity when flashing.



- **Power:** Indicates power is being supplied to the system's power supply units. This LED should normally be illuminated when the system is operating.

4-4 Drive Carrier LEDs

Each SAS drive carrier has two LEDs on the front of the carrier.

- **Blue:** When illuminated, this blue LED indicates drive activity. A connection to the SAS backplane enables this LED to blink on and off when that particular drive is being accessed.
- **Red:** The red LED indicates a drive failure. If a SAS drive fails, your system management software should alert you.

Chapter 5

Chassis Setup and Maintenance

5-1 Overview

This chapter covers the steps required to install components and perform maintenance on the chassis. The only tool required is a Phillips screwdriver.

Review the warnings and precautions listed in the manual before setting up or servicing this chassis. These include information in Chapter 2: System Safety and the warning/precautions listed in the setup instructions

When coupled with an SAS-833TQ backplane, this chassis is capable of failover and cascading. Review Appendix C in this manual for setup instructions.

5-2 Removing the Power Cord

Before performing most setup or maintenance tasks, use the following procedure to ensure that power has been removed from the system.

1. Use the operating system to power down the node, following the on-screen prompts.
2. After the system has completely shut-down, carefully grasp the head of the power cord and gently pull it out of the back of the power supply. If your system has dual power supplies, remove the cords from both power supplies.
3. Disconnect the cord from the power strip or wall outlet.

5-3 Removing the Chassis Cover

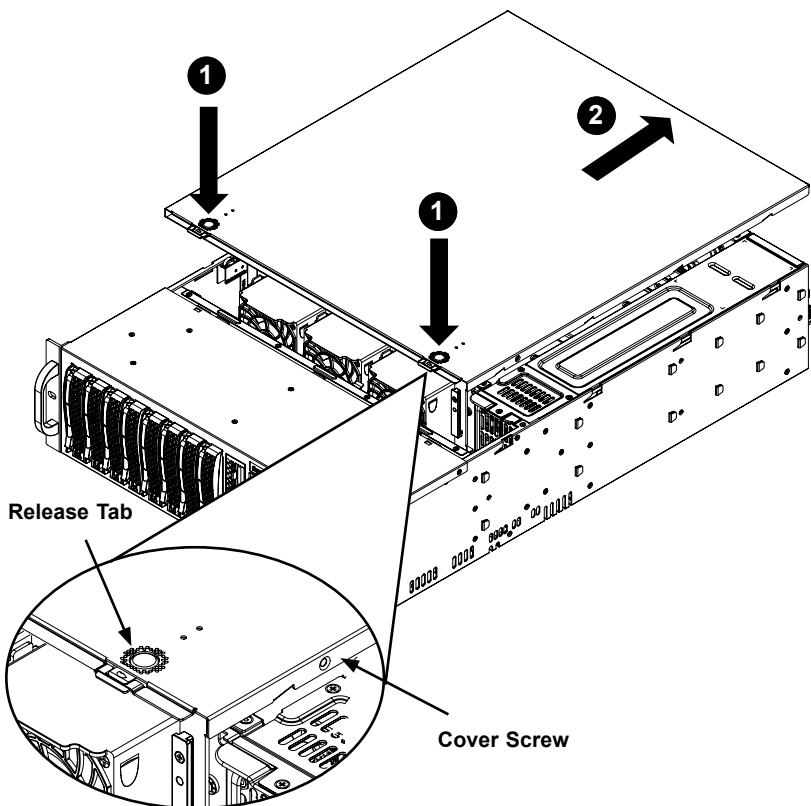


Figure 5-1. Removing the Chassis Cover

Removing the Chassis Cover

1. Press the release tabs to release the cover from the locked position. Press both tabs at the same time. It may also be necessary to remove the chassis cover screw.
2. Once the top cover is released from the locked position, slide the cover toward the rear of the chassis and lift the cover off the unit.

Caution: Except for short periods of time, do *not* operate the server without the cover in place. The chassis cover must be in place to allow proper airflow and prevent overheating.

5-4 Installing Drives

Each SC835 chassis provides carriers for eight 3.5" hard disk drives. There is also one optional slim DVD drive plus two 5.25" full height drive bays that can house additional hard disk drives or removable media drives.

Installing 3.5" Hard Drives

The drives are mounted in drive carriers to simplify their installation and removal from the chassis. SAS or enterprise-grade SATA is recommended.

Removing the Hard Drive Carriers

1. Press the release button on the drive carrier. This extends the drive carrier handle.
2. Use the handle to pull the drive carrier out of the chassis.

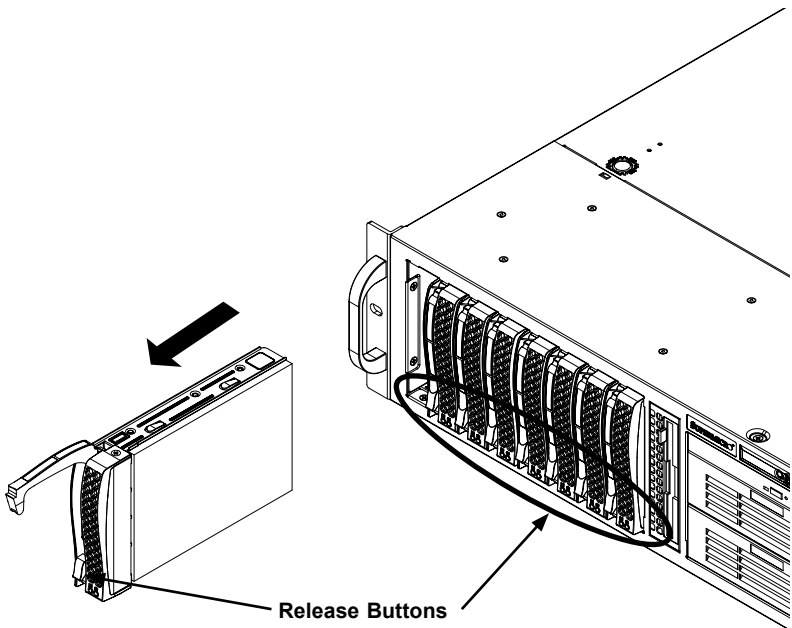


Figure 5-2. Removing the Hard Drive Carriers

Installing a Hard Drive into the Drive Carrier

1. Remove the two screws securing the dummy drive to the drive carrier.
2. Lift the dummy drive out of the drive carrier.

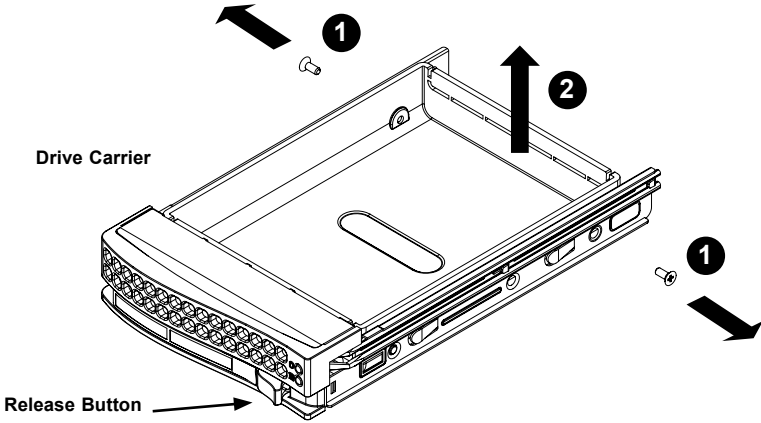


Figure 5-3. Removing the Dummy Drive from the Carrier

Note: Only enterprise level hard disk drives are recommended. For recommended HDDs, visit the Supermicro Web site at <http://www.supermicro.com/products/info/files/storage/SAS-1-CompList-110909.pdf>.

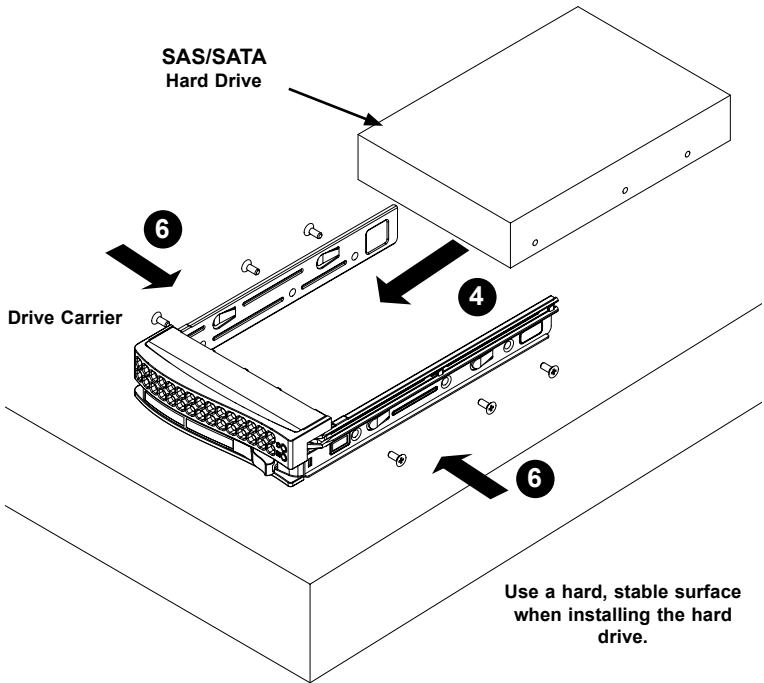


Figure 5-4. Installing a Drive into a Hard Drive Carrier

3. Place the hard drive carrier on a flat, stable surface such as a desk or work bench.
4. Slide the hard drive into the carrier with the printed circuit board side facing down.
5. Carefully align the mounting holes in the hard drive and the carrier. Make sure the bottom of the hard drive and bottom of the hard drive carrier are flush.
6. Secure the hard drive using all six screws.
7. Replace the drive carrier into the chassis. Make sure to close the drive carrier using the drive carrier handle.

Installing the Slim DVD Drive

The chassis supports a slim DVD drive just under the control panel.

1. Power down the system as described in Section 5-2 and remove the cover.
2. **If a new front port panel is not being installed**, remove the mini-bezel from the drive bay. The mini-bezel is the small grating that covers the drive bay. Remove this by simply pulling it out of the bay.

If a new front port panel is being installed, remove the old drive by depressing the release tab, then pulling the drive out of the chassis.

3. Insert the new drive unit in the slot until the tab locks into place.
4. Connect the data and power cables to the backplane and, if necessary, motherboard.

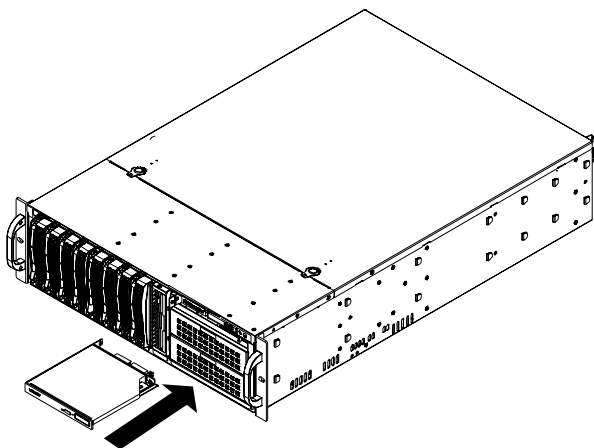


Figure 5-5. Installing the Slim DVD Drive

Using the 5.25" Full-Height Bays

The two horizontal drive bays can be filled with:

- Additional hard disk drives, each tray housing either one 3.5" drive or two 2.5" drives using an optional bracket
- Peripheral drives, such as DVD, CD or floppy drives
- Eight 2.5" hot-swap hard disk drives in a mobile rack (SCM28)

The vertically oriented 3.5" bay near the center front can also house a drive.

5-5 Installing the Motherboard

Permanent and Optional Standoffs

Standoffs prevent short circuits by securing space between the motherboard and the chassis surface. The SC835 chassis includes permanent standoffs in locations used by most motherboards. These standoffs accept the rounded Phillips head screws included in the accessories packaging.

Some motherboards require additional screws for heatsinks, general components or non-standard security. Optional standoffs are included to these motherboards. To use an optional standoff, you must secure a hexagonal post by screwing it into the necessary spot.

Standoff Labeling

Standoff locations are labeled on the bottom of the chassis with the letters: P, D, and A.

P = Most compatible motherboards have a processor or CPU located here. If necessary, place standoffs here for the CPU's heatsink.

D = Place optional standoffs here if your motherboard requires additional posts to hold the unit in place.

A = A number of older motherboards have processors or CPUs located in areas designated "A". Place standoffs here for the CPU's heatsink.

Motherboard Installation Procedure

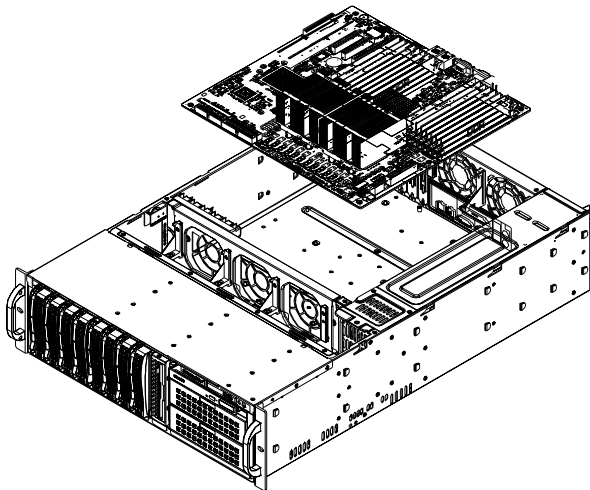


Figure 5-6. Installing the Motherboard

Installing the Motherboard

1. Review the documentation that came with your motherboard. Become familiar with component placement, requirements, and precautions.
2. Open the chassis cover.
3. Remove any packaging from the chassis. If the rear fan or the air shroud is in place, remove them.
4. Install the I/O shield that accompanies your motherboard on the rear of the chassis.
5. If required by your motherboard, install standoffs in any areas that do not have a permanent standoff. To do this, tighten a hexagonal optional standoff into the chassis.
6. Lay the motherboard on the chassis aligning the permanent and optional standoffs.
7. Secure the motherboard to the chassis using the rounded, Phillips head screws. Do not exceed eight inch-lbs of torque when tightening.
8. Secure the CPUs and heatsinks to the motherboard.

5-6 Installing Expansion Cards

The chassis includes space for up to seven expansion cards.

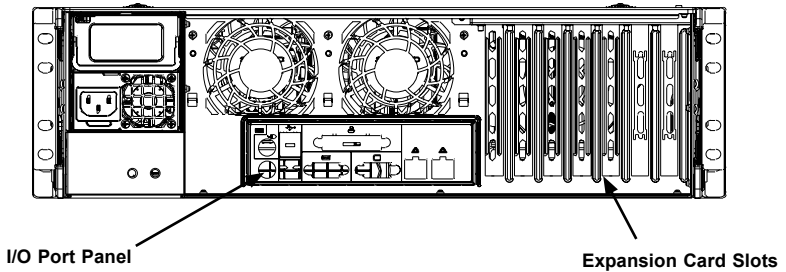


Figure 5-7. Expansion Card Slots and I/O Ports

Installing Expansion Cards

1. Remove the chassis cover.
2. Locate the motherboard port aligned with the card slot you want to install.
3. Each slot is secured by one screw located on the top (inside) the chassis. Remove this screw.
4. Gently slide the expansion card into the correct motherboard slot. If the expansion card requires a riser card, install it at this time. If necessary, slide the card into the PCI card guide and lock it. Never force a component into a motherboard or the chassis.
5. Secure the expansion card with the screw from the I/O panel.

5-7 Installing Cooling Elements

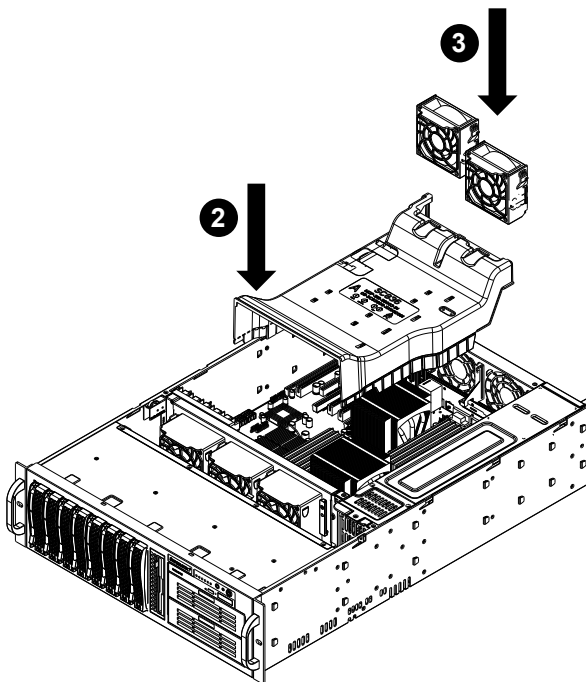


Figure 5-8. Installing the Air Shroud

Air shrouds concentrate airflow to maximize fan efficiency. The SC835 chassis air shroud does not require screws to set it up. Note that the rear fans must be removed prior to installing the air shroud.

Installing the Air Shroud

1. Check that the rear fans have been removed from the chassis.
2. Place the air shroud over the motherboard as illustrated above, aligning the air shroud between the front and rear fans.
3. Install the rear fans behind the air shroud. See the Rear System Fans section of this chapter for additional details.

System Fans

Five heavy-duty fans provide cooling for the chassis, three front fans and two rear fans. The fans are fully hot-swappable, that is they may be removed and replaced without having to power-down the server.

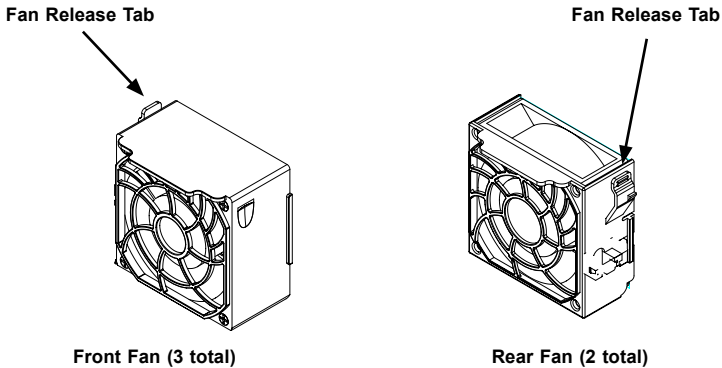


Figure 5-9. Chassis Fans

Replacing a System Fan

Installing a System Fan

1. Open the chassis and locate the faulty fan. Never run the chassis for an extended period of time with the chassis open.
2. Press the release tab on the fan and pull the fan upward.
3. Slide the new fan into the fan housing. Make sure the power connectors are correctly aligned. The new fan will be immediately active.

Rear System Fans

The standard rear fans must be installed after motherboard and air shroud setup.

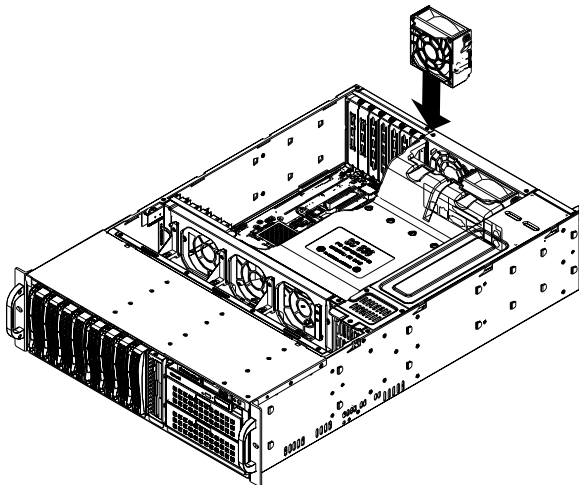


Figure 5-10. Installing the Rear Fan

Installing the Rear System Fans

Installing a the Rear System Fans

1. Confirm that the air shroud is correctly placed.
2. Slide the rear fan into the slot as illustrated. The fan release tab should be on the side closest to the power supply.
3. Make sure that the fan is secure in the fan housing and the housing is correctly connected to the power supply.

Checking the Server Air Flow

Checking the Air Flow

1. Make sure there are no objects to obstruct airflow in and out of the server. If necessary, route the cables through the cable rack.
2. Do not operate the chassis without drives or drive trays in the drive bays.
3. Use only recommended server parts.
4. Make sure no wires or foreign objects obstruct air flow through the chassis. Pull all excess cabling out of the airflow path or use shorter cables.
5. Do not operate the server for extended periods of time without the air shroud in the proper place.

5-8 Power Supply

The power supply is redundant and hot-swappable, meaning that the power supply can be changed without powering down the system.

Replacing the Power Supply

Replacing the Power Supply

1. The server may continue running if only one power supply module is removed at a time.
2. Unplug the power supply that will be replaced.
3. Push the release tab on the back of the power supply.
4. Pull the power supply out using the handle.
5. Replace the failed power module with another of the same model.
6. Push the new power supply module into the power bay until it clicks into the locked position.
7. Plug the AC power cord back into the module and power up the server.

Replacing the Power Distributor

The power distributor provides failover and redundancy. In the unlikely event the power distributor must be replaced, follow this procedure.

Installing the Power Distributor

1. Power down the system as described in Section 5-2 and remove the cover.
2. Remove all cable connections from the power supply to the motherboard, backplane, and other components. Also, remove both power supplies.
3. Locate the power distributor between the power supply and the fan row.
4. Remove the three screws securing the power supply.
5. Gently pull the power distributor from the chassis. Guide the cables through the power distributor housing.
6. Slide the new power distributor module into the power distributor housing. Slide the cables through the bottom of the housing.
7. Reconnect all the power cables, replace the power supply, and insert the plug into the wall.

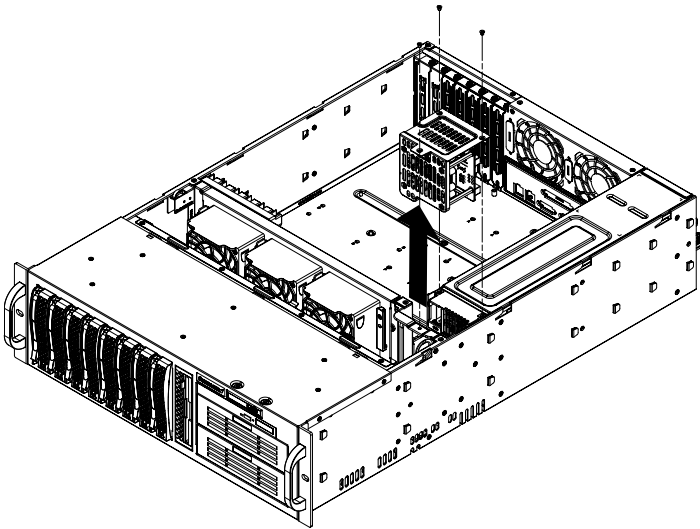


Figure 5-11. Removing the Power Distributor

Notes

Chapter 6

Rack Installation

This chapter provides instructions and tips for installing the chassis into a rack.

6-1 Preparing for Setup

Please read this section in its entirety before beginning the installation procedure.

Choosing a Setup Location

Decide on a suitable location for the rack. It should be a clean, dust-free area that is well ventilated. Avoid areas where heat, electrical noise and electromagnetic fields are generated. Place it near a grounded power outlet.

- Leave at least 25 inches clearance in front of the rack to open the front door completely.
- Leave approximately 30 inches of clearance in the back of the rack to allow for sufficient airflow and ease in servicing.
- Install in a restricted access location, such as a dedicated equipment room or service closet.

Ambient Operating Temperature

If installed in a closed or multi-unit rack assembly, the ambient operating temperature of the rack environment may be greater than the ambient temperature of the room. Install the equipment in an environment compatible with the manufacturer's maximum rated ambient temperature (TMRA).

- This product is for installation only in a Restricted Access Location (dedicated equipment rooms, service closets and similar environments).

Adequate Airflow

Equipment should be mounted into a rack so that the amount of airflow required for safe operation is not compromised.

Circuit Overloading

Avoid overloading the power supply circuitry or any overcurrent protection equipment. Use equipment nameplate ratings to calculate your requirements.

Reliable Ground

A reliable ground must be maintained at all times. To ensure this, ground the rack, itself. Pay attention to power supply connections other than the direct connections to the branch circuit, such as power strips.

Physical Rack Precautions



Warning: Follow these guidelines to prevent injury. Take all precautions to ensure the system remains stable.

- Ensure that the leveling jacks on the bottom of the rack are fully extended to the floor with the full weight of the rack resting on them.
- In single rack installation, stabilizers should be attached to the rack.
- In multiple rack installations, the racks should be coupled together.
- When mounting this unit in a partially filled rack, load the rack from the bottom to the top with the heaviest component at the bottom of the rack. If this is the only unit in the rack, mount it at the bottom.
- Always make sure the rack is stable before extending a component from the rack. Extend only one component at a time. Extending two or more simultaneously may cause the rack to become unstable.

General Server Precautions

- Review the electrical and general safety precautions that came with the components you are adding to your chassis.
- Determine the placement of each component in the rack.
- Install the heaviest server components on the bottom of the rack first, and then work up.
- Use a regulating, uninterruptible power supply (UPS) to protect the server from power surges, voltage spikes and to keep your system operating in case of a power failure.

- Allow the hard drives and power supply modules to cool before touching them.
- Always keep the rack front door, all panels and all components on the servers closed when not servicing, to maintain proper cooling.



Warning: Do not pick up the server by the front handles. They are designed to pull the system from a rack only.

6-2 Rack Mounting Instructions

This section provides information on installing the chassis into a rack unit with the rails provided. There are a variety of rack units on the market, which may mean that the assembly procedure will differ slightly from the instructions provided. You should also refer to the installation instructions that came with the rack unit you are using.

This rail will fit a rack between 26" and 33.5" deep.

Identifying the Sections of the Rack Rails

The chassis package includes two rail assemblies in the rack mounting kit. Each assembly consists of three sections: an inner chassis rail which secures directly to the chassis, an outer rail that secures to the rack, and a middle rail which extends from the outer rail. These assemblies are specifically designed for the left and right side of the chassis.

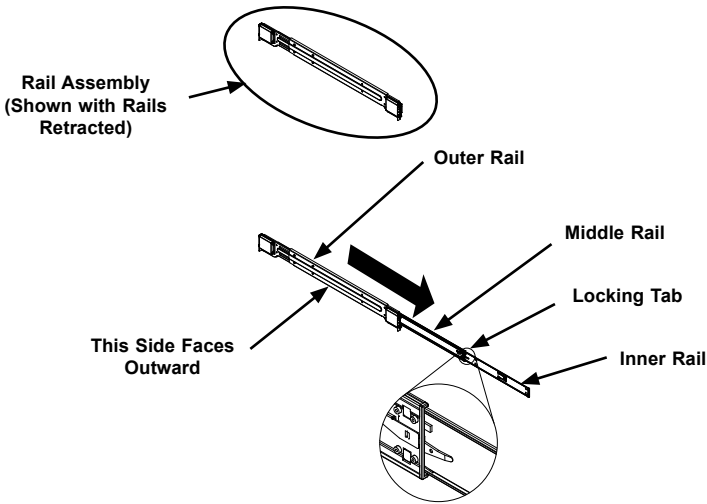


Figure 6-1. Identifying the Outer Rail, Middle Rail and Inner Rails
(Left Rail Assembly Shown)

Locking Tabs

Each inner rail has a locking tab. This tab locks the chassis into place when installed and pushed fully into the rack. These tabs also lock the chassis in place when fully extended from the rack. This prevents the server from coming completely out of the rack when the chassis is pulled out for servicing.

Releasing the Inner Rail

Releasing Inner Rail from the Outer Rails

1. Identify the left and right outer rail assemblies.
2. Pull the inner rail out of the outer rail until it is fully extended as illustrated below.
3. Press the locking tab down to release the inner rail.
4. Repeat steps 1-3 for the second outer rail.

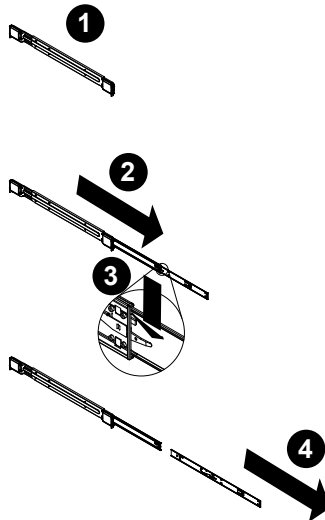


Figure 6-2. Extending and Releasing the Inner Rail

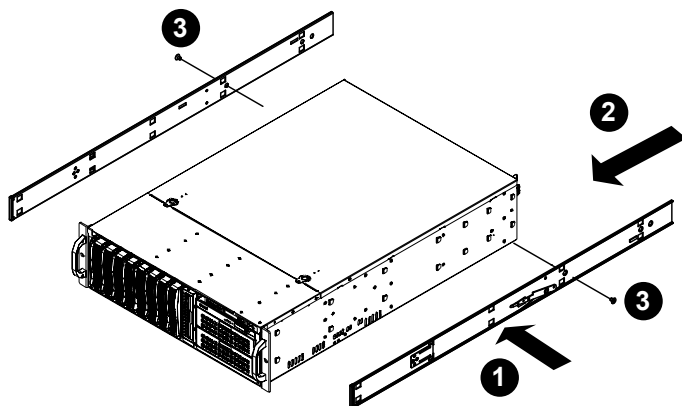


Figure 6-3. Installing the Inner Rail Extensions

Installing The Inner Rails on the Chassis

Installing the Inner Rails

1. Confirm that the left and right inner rails have been correctly identified.
2. Place the inner rail firmly against the side of the chassis, aligning the hooks on the side of the chassis with the holes in the inner rail.
3. Slide the inner rail forward toward the front of the chassis until the rail clicks into the locked position, which secures the inner rail to the chassis.
4. Secure the inner rail to the chassis with the screw provided.
5. Repeat for the other inner rail.

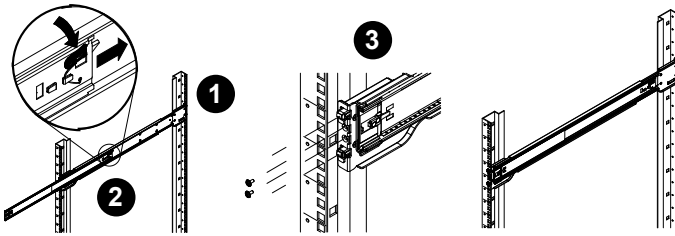


Figure 6-4. Assembling the Outer Rails

Installing the Outer Rails on the Rack

Installing the Outer Rails

1. Press upward on the locking tab at the rear end of the middle rail.
2. Push the middle rail back into the outer rail.
3. Hang the hooks of the front of the outer rail onto the slots on the front of the rack. If necessary, use screws to secure the outer rails to the rack, as illustrated above.
4. Pull out the rear of the outer rail, adjusting the length until it fits within the posts of the rack.
5. Hang the hooks of the rear portion of the outer rail onto the slots on the rear of the rack. If necessary, use screws to secure the rear of the outer rail to the rear of the rack.
6. Repeat steps 1-5 for the remaining outer rail.

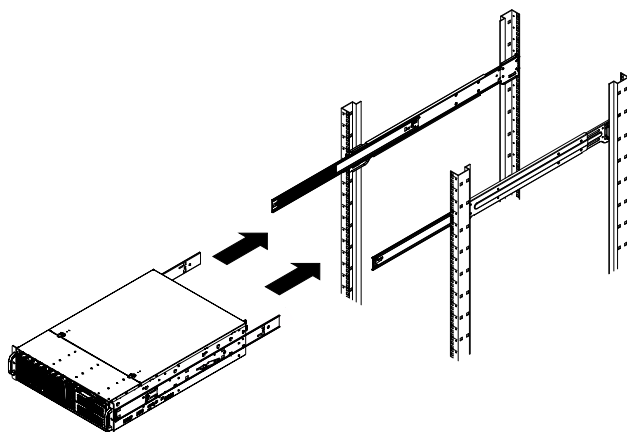


Figure 6-5. Installing the Chassis into a Rack



Stability hazard. The rack stabilizing mechanism must be in place, or the rack must be bolted to the floor before you slide the unit out for servicing. Failure to stabilize the rack can cause the rack to tip over.

Standard Chassis Installation

Installing the Chassis into a Rack

1. Confirm that the inner rails are properly installed on the chassis.
2. Confirm that the outer rails are correctly installed on the rack.
3. Pull the middle rail out from the front of the outer rail and make sure that the ball-bearing shuttle is at the front locking position of the middle rail.
4. Align the chassis inner rails with the front of the middle rails.
5. Slide the inner rails on the chassis into the middle rails, keeping the pressure even on both sides, until the locking tab of the inner rail clicks into the front of the middle rail, locking the chassis into the fully extended position.
6. Depress the locking tabs of both sides at the same time and push the chassis all the way into the rear of the rack.
7. If necessary for security purposes, use screws to secure the chassis handles to the front of the rack.

Appendix A

SC835 Chassis Cables

A-1 Overview

This appendix lists supported cables for your chassis system. It only includes the most commonly used components and configurations. For more compatible cables, refer to the manufacturer of the motherboard you are using and our Web site at: www.supermicro.com.

A-2 Cables Included with SC835TQ Chassis (SAS/SATA)

SC835TQ-R800B			
Part #	Type	Length	Description
CBL-0044L	Cable	2'	SATA cable
CBL-0087	Ribbon, Round	20"	16 pin to 16 pin ribbon cable for control panel
CBL-0209L	Wire	210mm	4 pin to 3 pin fan power cable
-	Cable	6'	Regional power cord

A-3 Compatible Cables

This section lists cables included with the SC835 Chassis packages.

Alternate SAS Cables

Some compatible motherboards have different connectors. If your motherboard has only one SAS connector that the SAS cables must share, use one of the following cables. These cables must be purchased separately.

Cable Name: SAS Cable **Quantity:** 1

Part #: CBL-0175L

Alt. Name: "Big Four"

Description: This cable has one SFF-8484 (32 pin) connector on one end and 4 SAS connectors (7 pins each) at the other. This cable connects from the Host (motherboard or other controller) to the backplane SAS hard drive port.

Cable Name: SAS Cable **Quantity:** 1

Part #: CBL-0116

Alt. Name: iPass or "Small Four"

Description: This cable has one ipass (SFF-8087/mini-sas) connector (36 pins) at one end and 4 SAS connectors on one end. This cable connects from the Host (motherboard or other controller) to the backplane SAS hard drive port.

Cascading/JBOD SAS Cables

Use the following cables when setting up a cascading or JBOD system.



Cable Name: SAS Cable

Quantity: varies by setup

Part #: CBL-0167L

Placement: Internal cable

Ports: Single

Description: Internal cable. Connects the backplane to the Host Bus Adapter (HBA) or external port. Used in single port environments.



Cable Name: SAS Cable

Quantity: varies by setup

Part #: CBL-0168L

Placement: Internal cable

Ports: Dual

Description: Internal cascading cable. Connects the backplane to the Host Bus Adapter (HBA) or external port. Used in Dual port environments.



Cable Name: SAS Cable

Quantity: varies by setup

Part #: CBL-0166L

Placement: External cable

Ports: Single or Dual

Description: External cascading cable. Connects ports between servers. With most connectors, use one cable for single port connections and two cables for dual port connections.

Extending Power Cables

Although Supermicro chassis are designed with to be efficient and cost-effective, some compatible motherboards have power connectors located in different areas.

To use these motherboards you may have to extend the power cables to the motherboards. To do this, use the following chart as a guide.

Power Cable Extenders		
Number of Pins	Cable Part #	Length
24 pin	CB -0042	7.9"(20 CM)
20 pin	CBL-0059	7.9"(20 CM)
8 pin	CBL-0062	7.9"(20 CM)
4 pin	CBL-0060	7.9"(20 CM)

Front Panel to the Motherboard

The SC835 chassis includes a cable to connect the chassis front panel to the motherboard. If your motherboard uses a different connector, use the following list to find a compatible cable.

Front Panel to Motherboard Cable (Ribbon Cable)		
Number of Pins (Front Panel)	Number of Pins (Motherboard)	Cable Part #
16 pin	16 pin	CBL-0049
16 pin	20 pin	CBL-0048
20 pin	20 pin	CBL-0047
16 pin	varies*	CBL-0068
20 pin	varies*	CBL-0067

*Split cables: Use these cables if your motherboard requires several different connections from the front panel.

Notes

Appendix B


Power Supply Specifications


This appendix lists power supply specifications for your chassis system.

CSE-835TQ-R800B	
	800W (Redundant)
MFR Part #	PWS-801-1R
Rated AC Voltage	100 - 240V 50 - 60Hz 10A - 4 Amp
+5V standby	4 Amp
+12V	66 Amp
+5V	25 Amp
+3.3V	12 Amp
-12V	0.5 Amp

CSE-835TQ-R920B	
	920W (Redundant)
MFR Part #	PWS-920P-1R
Rated AC Voltage	100 - 240V 50 - 60Hz 11-4.5 Amp
+5V standby	4 Amp
+12V	75 Amp
+5V	30 Amp
+3.3V	24 Amp
-12V	0.6 Amp



CSE-835TQC-R802B	
	800W (Redundant)
MFR Part #	PWS-802A-1R
Rated AC Voltage	100 - 240V / 10-5A 200 - 240V / 5A 50 - 60Hz 11-4.5 Amp
	
+5V standby	4A
+12V	66A
+5V	N/A
+3.3V	N/A
-12V	N/A

CSE-835TQ-R1K03B	
	1000W (Redundant)
MFR Part #	PWS-1K03A-1R
Rated AC Voltage	200 - 240V 50 - 60Hz
	
+5V standby	4 Amp
+12V	83 Amp
+5V	N/A
+3.3V	N/A
-12V	N/A

Power Supply Connections

Connect each of the following cables, as required, by your motherboard manufacturer. In some instances, some cables may not need to be connected.

Power Supply Cables			
Name	Number	Connects to:	Description
20-pin or 24-pin power cable	1	motherboard	20-pin or 24-pin power cable provides electricity to the motherboard. Has twenty to twenty-four yellow, black, gray, red, orange, green and blue wires.
HDD (Hard Drive) power cable	3	backplane	Each cable has two hard drive connectors. Attach the HDD connectors to the backplane.
8-pin motherboard cable	2	motherboard	Provides power to the motherboard CPU. This cable has two black and two yellow wires.
4-pin motherboard cable	1	motherboard	Provides power to PCI expansion card. This cable has two black and two yellow wires.
5-pin SMBus power cable (small)	1	motherboard	Allows the SM (System Management) bus to monitor power supply
2-pin INT cable	1	motherboard	Intrusion detection cable allows the system to log when the server chassis has been opened.

Appendix C

SAS-833TQ Backplane Specifications

To avoid personal injury and property damage, carefully follow all the safety steps listed below when accessing your system or handling the components.

C-1 ESD Safety Guidelines

Electrostatic Discharge (ESD) can damage electronic components. To prevent damage to your system, it is important to handle it very carefully. The following measures are generally sufficient to protect your equipment from ESD.

- Use a grounded wrist strap designed to prevent static discharge.
- Touch a grounded metal object before removing a component from the antistatic bag.
- Handle the backplane by its edges only; do not touch its components, peripheral chips, memory modules or gold contacts.
- When handling chips or modules, avoid touching their pins.
- Put the card and peripherals back into their antistatic bags when not in use.

C-2 General Safety Guidelines

- Always disconnect power cables before installing or removing any components from the computer, including the backplane.
- Disconnect the power cable before installing or removing any cables from the backplane.
- Make sure that the backplane is securely and properly installed on the motherboard to prevent damage to the system due to power shortage.

C-3 An Important Note to Users

- All images and layouts shown in this user's guide are based upon the latest PCB Revision available at the time of publishing. The card you have received may or may not look exactly the same as the graphics shown in this manual.

C-4 Introduction to the SAS-833TQ Backplane

The SAS-833TQ backplane has been designed to utilize the most up-to-date technology available, providing your system with reliable, high-quality performance.

This manual reflects SAS-33TQ Revision 3.0, the most current release available at the time of publication. Always refer to the Supermicro website at www.supermicro.com for the latest updates, compatible parts and supported configurations.

C-5 Front Connectors and Jumpers

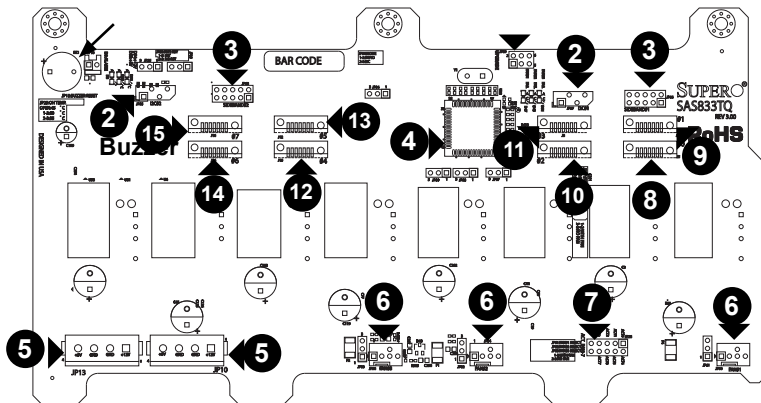


Figure C-1: Front Components

Front Components

Front Jumpers and Components:

1. Upgrade Connector JP69
2. I²C Connector#1 JP37 and I²C Connector#2 JP95
3. Sideband Connector#1 JP66 and Sideband Connector#2 JP68
4. Chip: MG9072
5. Power Connectors (4-pin): JP10 and JP13
6. Fan Connectors: JP54, JP56 and JP60
7. ACT_IN: JP26
8. SAS Port #0 J5
9. SAS Port #1 J6

10. SAS Port #2 J7

11. SAS Port #3 J8

12. SAS Port #4 J10

13. SAS Port #5 J12

14. SAS Port #6 J14

15. SAS Port #7 J16

C-6 Front Connector and Pin Definitions

1. Upgrade Connector

The upgrade connector, designated JP69, is used for manufacturer's diagnostic purposes only.

2. I²C Connectors

The I²C connectors, designated JP37 and JP95, are used to monitor HDD activity and status. See the table on the right for pin definitions.

I ² C Connector Pin Definitions	
Pin#	Definition
1	Data
2	Ground
3	Clock
4	No Connection

3. Sideband Headers

The sideband headers are designated JP66 and JP68. For SES-2 to work properly, you must connect an 8-pin sideband cable. See the table to the right for pin definitions.

NOTE: SGPIO is the default setting for this backplane.

Sideband Headers			
Pin #	Definition	Pin #	Definition
2	SGPIO: SDIN I²C: Backplane Addressing (SB5)	1	Controller ID (SB6)
4	SGPIO: SDOUT I²C: Reset (SB4)	3	GND (SB2)
6	GND (SB3)	5	SGPIO: SLOAD I²C: SDA (SB1)
8	Backplane ID (SB7)	7	SGPIO: SCLOCK I²C: SCL (SB0)
10	No Connection	9	No Connection

4. MG9072 Chip

The MG9072 is an enclosure management chip that supports the SES-2 controller and SES-2 protocols.

5. Backplane Main Power Connectors

The 4-pin connectors, designated JP10 and JP13 provide power to the backplane. See the table on the right for pin definitions.

Backplane Main Power 4-Pin Connector	
Pin#	Definition
1	+12V
2 and 3	Ground
4	+5V

6. Fan Connectors

The 3-pin connectors, designated JP54, JP56, and JP60, provide power to the fans. See the table on the right for pin definitions.

Fan Connectors\	
Pin#	Definition
1	Ground
2	+12V
3	Tachometer

7. Activity LED Header

The activity LED header, designated JP26, is used to indicate the activity status of each SAS drive. The Activity LED Header is located on the front panel. For the Activity LED Header to work properly, connect using a 10-pin LED cable.

SAS Activity LED Header Pin Definitions			
Pin #	Definition	Pin #	Definition
1	ACT IN#0	6	ACT IN#4
2	ACT IN#1	7	ACT IN#5
3	ACT IN#2	8	ACT IN#6
4	ACT IN#3	9	ACT IN#7
5	Ground	10	Empty

8-15. SAS Ports

The SAS ports are used to connect the SAS drive cables. The eight ports are designated #0 - #7. Each port is also compatible with SATA drives.

C-7 Front Jumper Locations and Pin Definitions

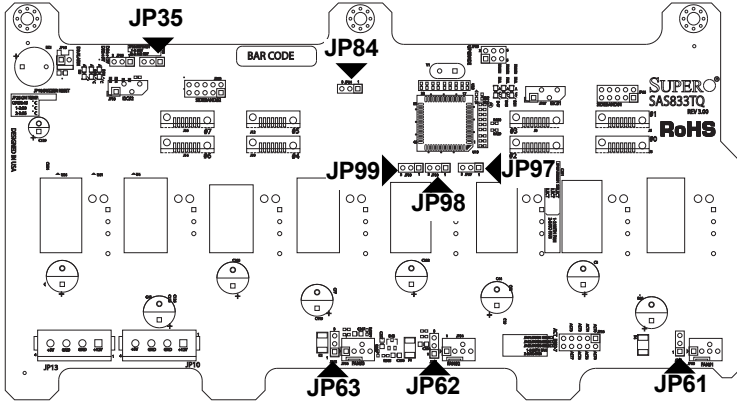
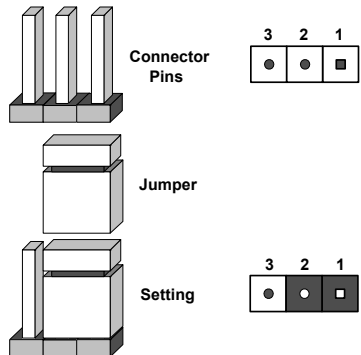


Figure C-2: Jumper Locations

Explanation of Jumpers

To modify the operation of the backplane, jumpers can be used to choose between optional settings. Jumpers create shorts between two pins to change the function of the connector. Pin 1 is identified with a square solder pad on the printed circuit board. Note: On two pin jumpers, "Closed" means the jumper is on and "Open" means the jumper is off the pins.



Jumper Settings		
Jumper	Jumper Settings	Note
JP35	1-2: Reset 2-3: No reset	MG9072 chip reset

Socket Settings		
Socket	Socket Setting	Note
JP18	Connected to front panel	Buzzer reset* Press once to disable buzzer Press twice to enable buzzer

*The buzzer sound indicates that a condition requiring immediate attention has occurred.

The buzzer alarm is triggered by the following conditions:

1. Hard drive failure
2. Fan failure
3. System temperature over 45° Celsius.

Fan Jumper Settings

This backplane can use up to three fans. To utilize each fan, you must configure **both jumpers** as instructed below.

Fan Jumper Settings		
Jumper	Jumper Settings	Note
JP61	1-2: With fan 2-3: No fan	FAN #1 select
JP97	1-2: With fan 2-3: No fan	FAN #1 select
JP62	1-2: With fan 2-3: No fan	FAN #2 select
JP98	1-2: With fan 2-3: No fan	FAN #2 select
JP63	1-2: With fan 2-3: No fan	FAN #3 select
JP99	1-2: With fan 2-3: No fan	FAN #3 select

I²C and SGPIO Modes and Jumper Settings

This backplane can utilize I²C or SGPIO. SGPIO is the default mode and can be used without making changes to your jumpers. The following information details which jumpers must be configured to use I²C mode or restore your backplane to SGPIO mode.

SGPIO and I²C Jumper Settings (Default)			
Jumper	SGPIO Jumper Setting (Default)	I²C Jumper Setting	Note
JP84	1-2	2-3	Controller ID #1

Front LED Indicators

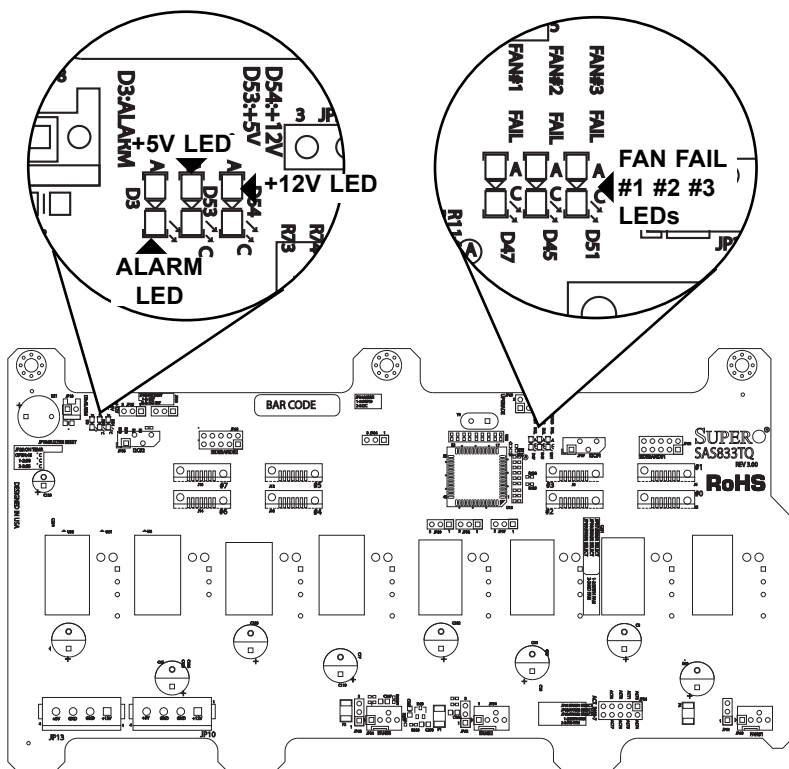


Figure C-3: Front LEDs

Front Panel LEDs		
LED	Normal State	Specification
Fan #1 fail	Off	Failure in Fan #1
Fan #2 fail	Off	Failure in Fan #2
Fan #3 fail	Off	Failure in Fan #3
Alarm #1	Off	Overheat/drive failure
+5V	On	Backplane power failure. Light is on during normal operation.
+12V	On	Backplane power failure. Light is on during normal operation.

C-8 Rear Connectors and LED Indicators

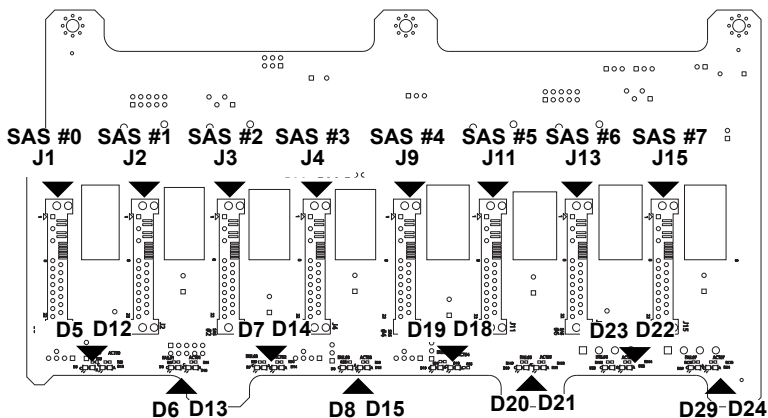


Figure C-4: Rear Connectors

Rear SAS/SATA Connectors	
Rear Connector	SAS/SATA Drive Number
SAS #0	SAS/SATA HDD #0
SAS #1	SAS/SATA HDD #1
SAS #2	SAS/SATA HDD #2
SAS #3	SAS/SATA HDD #3
SAS #4	SAS/SATA HDD #4
SAS #5	SAS/SATA HDD #5
SAS #6	SAS/SATA HDD #6
SAS #7	SAS/SATA HDD #7

Rear LED Indicators		
Rear LED	Hard Drive Activity	Failure LED
SAS #0	D12	D5
SAS #1	D13	D6
SAS #2	D14	D7
SAS #3	D15	D8
SAS #4	D18	D19
SAS #5	D21	D20
SAS #6	D22	D23
SAS #7	D24	D29

Disclaimer (cont.)

The products sold by Supermicro are not intended for and will not be used in life support systems, medical equipment, nuclear facilities or systems, aircraft, aircraft devices, aircraft/emergency communication devices or other critical systems whose failure to perform be reasonably expected to result in significant injury or loss of life or catastrophic property damage. Accordingly, Supermicro disclaims any and all liability, and should buyer use or sell such products for use in such ultra-hazardous applications, it does so entirely at its own risk. Furthermore, buyer agrees to fully indemnify, defend and hold Supermicro harmless for and against any and all claims, demands, actions, litigation, and proceedings of any kind arising out of or related to such ultra-hazardous use or sale.

Appendix D

SAS-833A Backplane Specifications

To avoid personal injury and property damage, carefully follow all the safety steps listed below when accessing your system or handling the components.

D-1 ESD Safety Guidelines

Electrostatic Discharge (ESD) can damage electronic components. To prevent damage to your system, it is important to handle it very carefully. The following measures are generally sufficient to protect your equipment from ESD.

- Use a grounded wrist strap designed to prevent static discharge.
- Touch a grounded metal object before removing a component from the antistatic bag.
- Handle the backplane by its edges only; do not touch its components, peripheral chips, memory modules or gold contacts.
- When handling chips or modules, avoid touching their pins.
- Put the card and peripherals back into their antistatic bags when not in use.

D-2 General Safety Guidelines

- Always disconnect power cables before installing or removing any components from the computer, including the backplane.
- Disconnect the power cable before installing or removing any cables from the backplane.
- Make sure that the backplane is securely and properly installed on the motherboard to prevent damage to the system due to power shortage.

D-3 An Important Note to Users

- All images and layouts shown in this user's guide are based upon the latest PCB Revision available at the time of publishing. The card you have received may or may not look exactly the same as the graphics shown in this manual.

D-4 Introduction to the SAS3-833A Backplane

The SAS3-833A backplane has been designed to utilize the most up-to-date technology available, providing your system with reliable, high-quality performance.

This manual reflects SAS-33TQ Revision 1.0, the most current release available at the time of publication. Always refer to the Supermicro website at www.supermicro.com for the latest updates, compatible parts and supported configurations.

D-5 Front Connectors

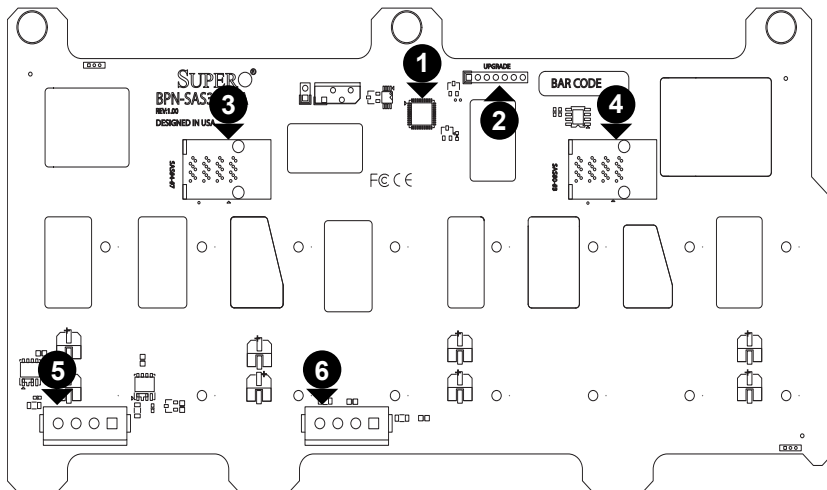


Figure D-1: Front Components

- | | |
|---|--|
| 1. Chip: CPLD | 4. MiniSAS HD Connector for Ports #0-3: JSM0 |
| 2. JTAG Connector (7-pin): J11, CPLD Upgrade Port | 5. Power Connector (4-pin) #1: JPW1 |
| 3. MiniSAS HD Connector for Ports #4-7: JSM1 | 6. Power Connector (4-pin) #2: JPW2 |

D-6 Front Connector Pin Definitions

#1. CPLD Chip

The CPLD is an enclosure management chip that supports the SGPIO and LED management.

#2. CPLD Upgrade Port

The CPLD programming port, designated J11, is used only by the manufacturer to upgrade the CPLD.

#3. - 4. MiniSAS HD Connectors

The SAS ports are used to connect the SAS drive cables. The 2 ports are designated JSM0, for drives at SAS #0-#3, and JSM1, for drives at SAS #4-#7 (see section 2-4 for SAS drive locations). Each port is also compatible with SATA drives. However, mixing SAS3 and SATA drives in the same enclosure is not recommended.

#5. - 6. Backplane Main Power Connectors

The 4-pin connectors, designated JPW1 and JPW2, provide power to the backplane. See the table on the right for pin definitions.

Backplane Main Power 4-Pin Connector	
Pin#	Definition
1	+12V
2 and 3	Ground
4	+5V

D-7 Front Connector and Pin Definitions

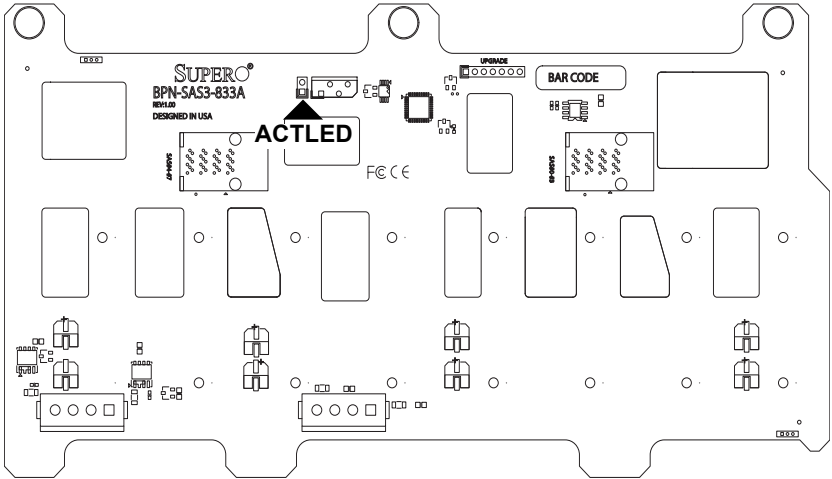
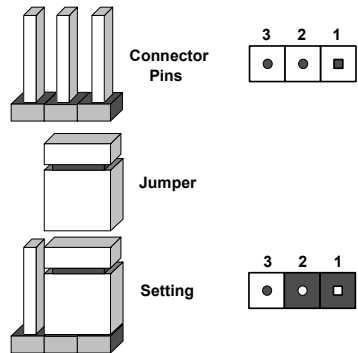


Figure D-2: Front Jumpers

Explanation of Jumpers

To modify the operation of the backplane, jumpers can be used to choose between optional settings. Jumpers create shorts between two pins to change the function of the connector. Pin 1 is identified with a square solder pad on the printed circuit board.

Note: On two pin jumpers, "Closed" means the jumper is on and "Open" means the jumper is off the pins.



Jumper Settings		
Jumper	Jumper Settings	Note
ACTLED	Open: Default	This is used for internal testing only.

5. Backplane Main Power Connectors

The 4-pin connectors, designated JP10 and JP13 provide power to the backplane. See the table on the right for pin definitions.

Backplane Main Power 4-Pin Connector	
Pin#	Definition
1	+12V
2 and 3	Ground
4	+5V

6. Fan Connectors

The 3-pin connectors, designated JP54, JP56, and JP60, provide power to the fans. See the table on the right for pin definitions.

Fan Connectors\	
Pin#	Definition
1	Ground
2	+12V
3	Tachometer

7. Activity LED Header

The activity LED header, designated JP26, is used to indicate the activity status of each SAS drive. The Activity LED Header is located on the front panel. For the Activity LED Header to work properly, connect using a 10-pin LED cable.

SAS Activity LED Header Pin Definitions			
Pin #	Definition	Pin #	Definition
1	ACT IN#0	6	ACT IN#4
2	ACT IN#1	7	ACT IN#5
3	ACT IN#2	8	ACT IN#6
4	ACT IN#3	9	ACT IN#7
5	Ground	10	Empty

8-15. SAS Ports

The SAS ports are used to connect the SAS drive cables. The eight ports are designated #0 - #7. Each port is also compatible with SATA drives.

D-8 Front Jumper Locations and Pin Definitions

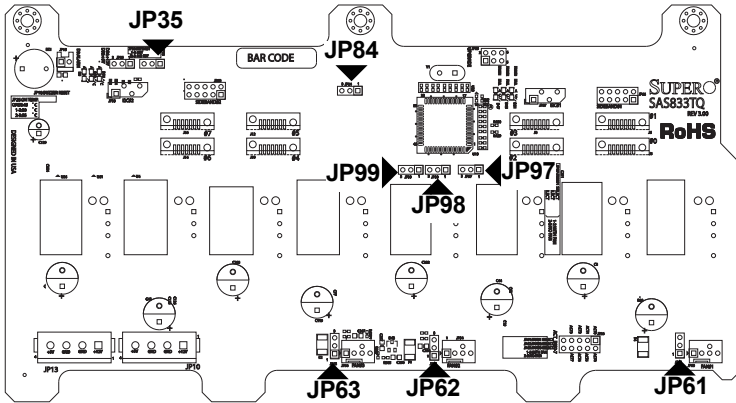
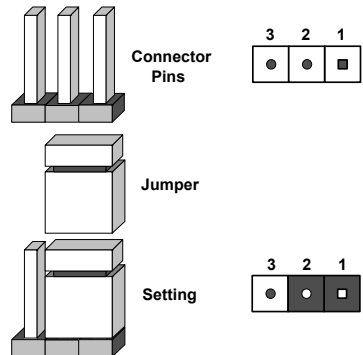


Figure D-3: Jumper Locations

Explanation of Jumpers

To modify the operation of the backplane, jumpers can be used to choose between optional settings. Jumpers create shorts between two pins to change the function of the connector. Pin 1 is identified with a square solder pad on the printed circuit board. Note: On two pin jumpers, "Closed" means the jumper is on and "Open" means the jumper is off the pins.



D-9 Rear Connectors and LED Indicators

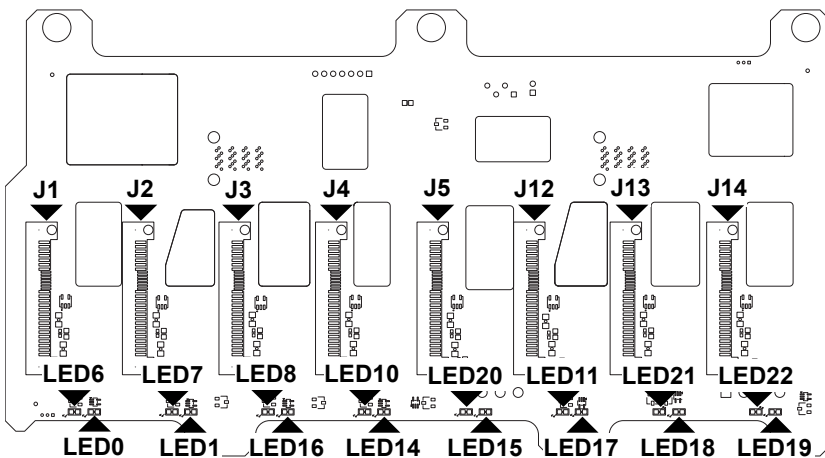


Figure D-4: Rear Connectors and LEDs

SAS/SATA Connectors and LED Indicators			
Rear Connector	SAS Drive Number	Failure LED	Activity LED
J1	SAS/SATA HDD #0	LED6	LED0
J2	SAS/SATA HDD #1	LED7	LED1
J3	SAS/SATA HDD #2	LED8	LED16
J4	SAS/SATA HDD #3	LED10	LED14
J5	SAS/SATA HDD #4	LED20	LED15
J12	SAS/SATA HDD #5	LED11	LED17
J13	SAS/SATA HDD #6	LED21	LED18
J14	SAS/SATA HDD #7	LED22	LED19