



Power Units & Parts for Surface-Mount Lifts

Automotive Shop Equipment | Auto Lift Repair Parts

Extensive Selection of Power Units & Repair Parts for Surface-Mount Auto Lifts



Featuring **SPX** Brand Power Units

Formerly Known as Fenner Fluid Power and Fenner Stone

Low-Cost Import Power Units also available.

SVI International, Inc.

155 Harvestore Drive • DeKalb, IL 60115

800-321-8173

815-748-0200

www.sviinternational.com





Table of Contents

Power Unit Selection 3–15

Commonly Requested
Switches and Parts..... 16–17

Parts for Applied Hydraulics Power Units 18

Parts for Duro Power Units 18

Parts for Fenner / SPX Power Units 19–24

Parts for Global Hydraulics Power Units 25

Parts for Barnes Power Units 26–27

Parts for MTE Power Units 28–29

Parts for Monarch Power Units..... 30

Parts for Webster Power Units 31

Parts for Vibo Import Power Units 32

Parts for Rhino Power Units 33-35

Power units
The choice is yours...

ASIDE FROM A COMPLETE LINE OF POWER UNITS AND POWER UNIT REPAIR PARTS, SVI OFFERS A HUGE SELECTION OF PRODUCTS FOR THE SHOP.

- Air Compressor Parts and Filters
- Auto Lift Parts for Any Brand
- Auto Lift Cables and Chain
- Auto Lift Sheaves / Pulleys and Chain Rollers
- Brake Lathe Repair Parts
- Exhaust System Products
- Fluid Delivery Repair Parts
- Hose Reels and Hose Stops
- In-Ground Auto Lifts
- Lubrication Equipment Repair Parts
- Petroleum / Service Station Pump and Tank Products
- Repair Parts for Gasboy Consumer Series
- SESM Lifts for ATV/UTV, Golf Cart and More!
- Tire Changer Repair Parts
- Transfer Pumps
- Turf Attachments for 2-Post Lifts
- Vehicle Lifting Systems
- Wheel Balancer Accessories



The #1 Source for Auto Lift Power Units!

**BH-7006A Series - Single Phase
SPX Stone Power Unit**



SPX > Stone® SPX Stone power units are a compact hydraulic power source utilizing an electric motor with the capability to generate high pressure ratings. The units are built specially for SVI and the industry it serves to provide a wide range of customer-specified pressure relief valve settings. The ability to properly select the required pressure relief allows industry professionals to confidently match the right power unit to the application. SVI performs this service routinely every day to ensure power units are shipped on a same-day basis with the correct pressure relief setting required for the job.

**208-230 VAC, 2HP, 1PH, 3450 RPM Motor
4.0 Gallon Reservoir**

- **Frame:** 56 FR
- **Max Amps:** 230 VAC 18
- **Pump:** 2.3 GPM @ 2200 PSI*
- **Maximum Run Time:** 75 Seconds
- **Pressure / Return Port Size:** 9/16" SAE
- **Auxiliary Return Port:** 3/8" NPT

Part #	SPX / Stone #	Pressure Relief Valve (psi/bar)	Motor	Pump	Easy Adaptation Kit
BH-7006A-13	AB-1488	1885 psi / 130 bar	208-230 VAC, 2HP, 1PH, 3450 RPM	2.5CC/Rev	Optional BH-7000-00
BH-7006A-14	AB-1488	2030 psi / 140 bar	208-230 VAC, 2HP, 1PH, 3450 RPM	2.5CC/Rev	Optional BH-7000-00
BH-7006A-15	AB-1488	2175 psi / 150 bar	208-230 VAC, 2HP, 1PH, 3450 RPM	2.5CC/Rev	Optional BH-7000-00
BH-7006A-16	AB-1488	2320 psi / 160 bar	208-230 VAC, 2HP, 1PH, 3450 RPM	2.5CC/Rev	Optional BH-7000-00
BH-7006A-17	AB-1488	2465 psi / 170 bar	208-230 VAC, 2HP, 1PH, 3450 RPM	2.5CC/Rev	Optional BH-7000-00
BH-7006A-18	AB-1488	2610 psi / 180 bar	208-230 VAC, 2HP, 1PH, 3450 RPM	2.5CC/Rev	Optional BH-7000-00
BH-7006A-19	AB-1488	2755 psi / 190 bar	208-230 VAC, 2HP, 1PH, 3450 RPM	2.5CC/Rev	Optional BH-7000-00
BH-7006A-20	AB-1488	2900 psi / 200 bar	208-230 VAC, 2HP, 1PH, 3450 RPM	2.5CC/Rev	Optional BH-7000-00
BH-7006A-21	AB-1488	3045 psi / 210 bar	208-230 VAC, 2HP, 1PH, 3450 RPM	2.5CC/Rev	Optional BH-7000-00
BH-7006-01-22	AB-1488	3190 psi / 220 bar	208-230 VAC, 2HP, 1PH, 3450 RPM	1.6CC/Rev	Optional BH-7000-00
BH-7006-01-23	AB-1488	3335 psi / 230 bar	208-230 VAC, 2HP, 1PH, 3450 RPM	1.6CC/Rev	Optional BH-7000-00
BH-7006-01-24	AB-1488	3480 psi / 240 bar	208-230 VAC, 2HP, 1PH, 3450 RPM	1.6CC/Rev	Optional BH-7000-00
BH-7006-01-25	AB-1488	3625 psi / 250 bar	208-230 VAC, 2HP, 1PH, 3450 RPM	1.6CC/Rev	Optional BH-7000-00
BH-7006-01-26	AB-1488	3770 psi / 260 bar	208-230 VAC, 2HP, 1PH, 3450 RPM	1.6CC/Rev	Optional BH-7000-00



OPTIONAL EASY ADAPTATION KIT

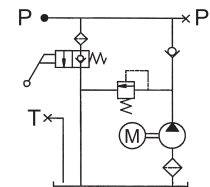
Order: BH-7000-00

CONTENTS

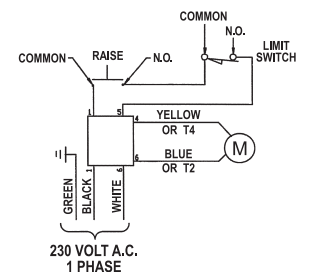
- (1) BH-7000-02 36" Long Hose, 1/4" Hose, 3000 psi, -6 Male End and -6 Swivel Female End
- (1) BH-7000-06 Male 90° Elbow, -6 JIC to -SAE Straight Thread, Zinc Plated Steel
- (1) BH-7000-07 Swivel Nut Branch Tee, -6 Male to -6 Male to -6 Female Swivel Out, Zinc Plated Steel
- (1) BH-7000-08 8" Long, 1/4" Hose, 3000 psi, -6 Male End and -6 Swivel Female End
- (1) BH-7000-09A 24" Cable Tie, 0.36" Wide

* BH-7006-01-22/26 1.5 GPM @ 3190 to 3770 PSI

HYDRAULIC CIRCUIT



ELECTRIC CIRCUIT





The #1 Source for Auto Lift Power Units!

BH-7006-01 Series - Single Phase SPX Stone Power Unit



SPX > Stone® SPX Stone power units are a compact hydraulic power source utilizing an electric motor with the capability to generate high pressure ratings. The units are built specially for SVI and the industry it serves to provide a wide range of customer-specified pressure relief valve settings. The ability to properly select the required pressure relief allows industry professionals to confidently match the right power unit to the application. SVI performs this service routinely every day to ensure power units are shipped on a same-day basis with the correct pressure relief setting required for the job.

208-230 VAC, 2HP, 1PH, 3450 RPM Motor 4.0 Gallon Reservoir

- Frame: 56 FR
- Maximum Run Time: 75 Seconds
- Max Amps: 230 VAC 18
- Pressure / Return Port Size: 9/16" SAE
- Pump: 2.3 GPM @2200 PSI*
- Auxiliary Return Port: 3/8" NPT

Part #	SPX / Stone #	Pressure Relief Valve (psi/bar)	Motor	Pump	Easy Adaptation Kit
BH-7006-01-13	AB-1488	1885 psi / 130 bar	208-230 VAC, 2HP, 1PH, 3450 RPM	2.5CC/Rev	Included BH-7000-00
BH-7006-01-14	AB-1488	2030 psi / 140 bar	208-230 VAC, 2HP, 1PH, 3450 RPM	2.5CC/Rev	Included BH-7000-00
BH-7006-01-15	AB-1488	2175 psi / 150 bar	208-230 VAC, 2HP, 1PH, 3450 RPM	2.5CC/Rev	Included BH-7000-00
BH-7006-01-16	AB-1488	2320 psi / 160 bar	208-230 VAC, 2HP, 1PH, 3450 RPM	2.5CC/Rev	Included BH-7000-00
BH-7006-01-17	AB-1488	2465 psi / 170 bar	208-230 VAC, 2HP, 1PH, 3450 RPM	2.5CC/Rev	Included BH-7000-00
BH-7006-01-18	AB-1488	2610 psi / 180 bar	208-230 VAC, 2HP, 1PH, 3450 RPM	2.5CC/Rev	Included BH-7000-00
BH-7006-01-19	AB-1488	2755 psi / 190 bar	208-230 VAC, 2HP, 1PH, 3450 RPM	2.5CC/Rev	Included BH-7000-00
BH-7006-01-20	AB-1488	2900 psi / 200 bar	208-230 VAC, 2HP, 1PH, 3450 RPM	2.5CC/Rev	Included BH-7000-00
BH-7006-01-21	AB-1488	3045 psi / 210 bar	208-230 VAC, 2HP, 1PH, 3450 RPM	2.5CC/Rev	Included BH-7000-00
BH-7006-01-22	AB-1488	3190 psi / 220 bar	208-230 VAC, 2HP, 1PH, 3450 RPM	1.6CC/Rev	Optional BH-7000-00
BH-7006-01-23	AB-1488	3335 psi / 230 bar	208-230 VAC, 2HP, 1PH, 3450 RPM	1.6CC/Rev	Optional BH-7000-00
BH-7006-01-24	AB-1488	3480 psi / 240 bar	208-230 VAC, 2HP, 1PH, 3450 RPM	1.6CC/Rev	Optional BH-7000-00
BH-7006-01-25	AB-1488	3625 psi / 250 bar	208-230 VAC, 2HP, 1PH, 3450 RPM	1.6CC/Rev	Optional BH-7000-00
BH-7006-01-26	AB-1488	3770 psi / 260 bar	208-230 VAC, 2HP, 1PH, 3450 RPM	1.6CC/Rev	Optional BH-7000-00

EASY ADAPTATION KIT • BH-7000-00

Included with: BH-7006-01-13 thru -21

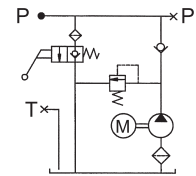
Optional for: BH-7006-01-22 thru -26

CONTENTS

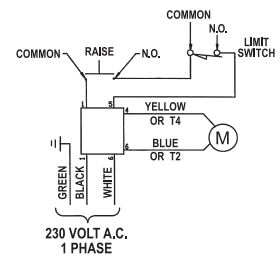
- (1) BH-7000-02 36" Long Hose, 1/4" Hose, 3000 psi, -6 Male End and -6 Swivel Female End
- (1) BH-7000-06 Male 90° Elbow, -6 JIC to -SAE Straight Thread, Zinc Plated Steel
- (1) BH-7000-07 Swivel Nut Branch Tee, -6 Male to -6 Male to -6 Female Swivel Out, Zinc Plated Steel
- (1) BH-7000-08 8" Long, 1/4" Hose, 3000 psi, -6 Male End and -6 Swivel Female End
- (1) BH-7000-09A 24" Cable Tie, 0.36" Wide



HYDRAULIC CIRCUIT



ELECTRIC CIRCUIT



* BH-7006-01-22/26 1.5 GPM @3190 to 3770 PSI



The #1 Source for Auto Lift Power Units!

BH-7006-01LS Series - Single Phase SPX Stone Power Unit



LS Series • Power Unit with Limit Switch

SPX Stone SPX Stone power units are a compact hydraulic power source utilizing an electric motor with the capability to generate high pressure ratings. The units are built specially for SVI and the industry it serves to provide a wide range of customer-specified pressure relief valve settings. The ability to properly select the required pressure relief allows industry professionals to confidently match the right power unit to the application. SVI performs this service routinely every day to ensure power units are shipped on a same-day basis with the correct pressure relief setting required for the job.

The Overhead Limit Switch Release is connected to a cable that goes up to the overhead and across. The switch housing is installed at the top of the push-to-raise housing on the power unit and below the limit switch release is another micro switch wired in concert with the push-to-raise micro switch. When a vehicle hits the overhead limit bar the cable is pulled up moving the switch housing plunger up and off the second micro switch pushbutton which opens the circuit and causes the lift to shut down, stopping its upward movement.

208-230 VAC, 2HP, 1PH, 3450 RPM Motor 4.0 Gallon Reservoir

- **Frame:** 56 FR
- **Max Amps:** 230 VAC 18
- **Pump:** 2.3 GPM@2200 PSI
- **Maximum Run Time:** 75 Seconds
- **Pressure / Return Port Size:** 9/16" SAE
- **Auxiliary Return Port:** 3/8" NPT



Part #	SPX / Stone #	Pressure Relief Valve (psi/bar)	Motor	Pump	Easy Adaptation Kit
BH-7006-01LS-13	AB-1270	1885 psi / 130 bar	208-230 VAC, 2HP, 1PH, 3450 RPM	2.5CC/Rev	Optional BH-7000-00
BH-7006-01LS-14	AB-1270	2030 psi / 140 bar	208-230 VAC, 2HP, 1PH, 3450 RPM	2.5CC/Rev	Optional BH-7000-00
BH-7006-01LS-15	AB-1270	2175 psi / 150 bar	208-230 VAC, 2HP, 1PH, 3450 RPM	2.5CC/Rev	Optional BH-7000-00
BH-7006-01LS-16	AB-1270	2320 psi / 160 bar	208-230 VAC, 2HP, 1PH, 3450 RPM	2.5CC/Rev	Optional BH-7000-00
BH-7006-01LS-17	AB-1270	2465 psi / 170 bar	208-230 VAC, 2HP, 1PH, 3450 RPM	2.5CC/Rev	Optional BH-7000-00
BH-7006-01LS-18	AB-1270	2610 psi / 180 bar	208-230 VAC, 2HP, 1PH, 3450 RPM	2.5CC/Rev	Optional BH-7000-00
BH-7006-01LS-19	AB-1270	2755 psi / 190 bar	208-230 VAC, 2HP, 1PH, 3450 RPM	2.5CC/Rev	Optional BH-7000-00
BH-7006-01LS-20	AB-1270	2900 psi / 200 bar	208-230 VAC, 2HP, 1PH, 3450 RPM	2.5CC/Rev	Optional BH-7000-00
BH-7006-01LS-21	AB-1270	3045 psi / 210bar	208-230 VAC, 2HP, 1PH, 3450 RPM	2.5CC/Rev	Optional BH-7000-00

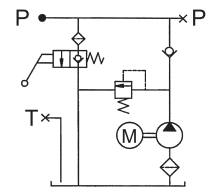


OPTIONAL EASY ADAPTATION KIT Order: BH-7000-00

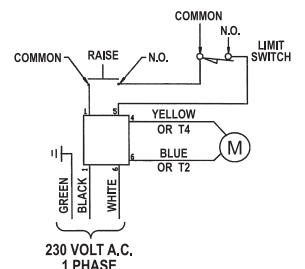
CONTENTS

- (1) BH-7000-02 36" Long Hose, 1/4" Hose, 3000 psi, -6 Male End and -6 Swivel Female End
- (1) BH-7000-06 Male 90° Elbow, -6 JIC to -SAE Straight Thread, Zinc Plated Steel
- (1) BH-7000-07 Swivel Nut Branch Tee, -6 Male to -6 Male to -6 Female Swivel Out, Zinc Plated Steel
- (1) BH-7000-08 8" Long, 1/4" Hose, 3000 psi, -6 Male End and -6 Swivel Female End
- (1) BH-7000-09A 24" Cable Tie, 0.36" Wide

HYDRAULIC CIRCUIT



ELECTRIC CIRCUIT





The #1 Source for Auto Lift Power Units!

**BH-7006-03 Series - Three Phase
SPX Stone Power Unit**



SPX > Stone® SPX Stone power units are a compact hydraulic power source utilizing an electric motor with the capability to generate high pressure ratings. The units are built specially for SVI and the industry it serves to provide a wide range of customer-specified pressure relief valve settings. The ability to properly select the required pressure relief allows industry professionals to confidently match the right power unit to the application. SVI performs this service routinely every day to ensure power units are shipped on a same-day basis with the correct pressure relief setting required for the job.

**208-230/460 VAC, 2HP, 3PH, 3450 RPM T.E.F.C. Motor
4.0 Gallon Reservoir**

Frame: 56 FR
Max Amps: 460 VAC 10.5
Pump: 1.7 GPM@2450 PSI

Maximum Run Time: 75 Seconds
(Exception: 55 Seconds for BH-7006-03-21)
Pressure / Return Port Size: 9/16" SAE
Auxiliary Return Port: 3/8" NPT

Part #	SPX / Stone #	Pressure Relief Valve (psi/bar)	Motor	Pump	Easy Adaptation Kit
BH-7006-03-13	AD-1234	1885 psi / 130 bar	208-230/460 VAC, 2HP, 3PH, 3450 RPM	2.0CC/Rev	Optional BH-7000-00
BH-7006-03-14	AD-1234	2030 psi / 140 bar	208-230/460 VAC, 2HP, 3PH, 3450 RPM	2.0CC/Rev	Optional BH-7000-00
BH-7006-03-15	AD-1234	2175 psi / 150 bar	208-230/460 VAC, 2HP, 3PH, 3450 RPM	2.0CC/Rev	Optional BH-7000-00
BH-7006-03-16	AD-1234	2320 psi / 160 bar	208-230/460 VAC, 2HP, 3PH, 3450 RPM	2.0CC/Rev	Optional BH-7000-00
BH-7006-03-17	AD-1234	2465 psi / 170 bar	208-230/460 VAC, 2HP, 3PH, 3450 RPM	2.0CC/Rev	Optional BH-7000-00
BH-7006-03-18	AD-1234	2610 psi / 180 bar	208-230/460 VAC, 2HP, 3PH, 3450 RPM	2.0CC/Rev	Optional BH-7000-00
BH-7006-03-19	AD-1234	2755 psi / 190 bar	208-230/460 VAC, 2HP, 3PH, 3450 RPM	2.0CC/Rev	Optional BH-7000-00
BH-7006-03-20	AD-1234	2900 psi / 200 bar	208-230/460 VAC, 2HP, 3PH, 3450 RPM	2.0CC/Rev	Optional BH-7000-00
BH-7006-03-21	AD-1234	3045 psi / 210 bar	208-230/460 VAC, 2HP, 3PH, 3450 RPM	2.0CC/Rev	Optional BH-7000-00



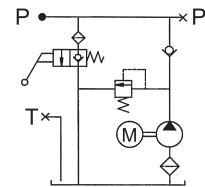
OPTIONAL EASY ADAPTATION KIT

Order: BH-7000-00

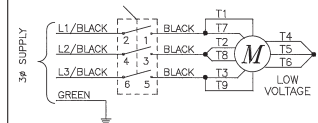
CONTENTS

- (1) BH-7000-02 36" Long Hose, 1/4" Hose, 3000 psi, -6 Male End and -6 Swivel Female End
- (1) BH-7000-06 Male 90° Elbow, -6 JIC to -SAE Straight Thread, Zinc Plated Steel
- (1) BH-7000-07 Swivel Nut Branch Tee, -6 Male to -6 Male to -6 Female Swivel Out, Zinc Plated Steel
- (1) BH-7000-08 8" Long, 1/4" Hose, 3000 psi, -6 Male End and -6 Swivel Female End
- (1) BH-7000-09A 24" Cable Tie, 0.36" Wide

HYDRAULIC CIRCUIT



ELECTRIC CIRCUIT





The #1 Source for Auto Lift Power Units!

**BH-7006-05 Series - Single Phase
SPX Stone Power Unit**



SPX > Stone® SPX Stone power units are a compact hydraulic power source utilizing an electric motor with the capability to generate high pressure ratings. The units are built specially for SVI and the industry it serves to provide a wide range of customer-specified pressure relief valve settings. The ability to properly select the required pressure relief allows industry professionals to confidently match the right power unit to the application. SVI performs this service routinely every day to ensure power units are shipped on a same-day basis with the correct pressure relief setting required for the job.

**208-230 VAC, 2HP, 1PH, 3450 RPM Motor
6.3 Gallon Reservoir**

Frame: 56 FR
Max Amps: 230 VAC 19
Pump: 1.7 GPM@2450 PSI

Maximum Run Time: 75 Seconds
Pressure / Return Port Size: 9/16" SAE
Auxiliary Return Port: 3/8" NPT

Part #	SPX / Stone #	Pressure Relief Valve (psi/bar)	Motor	Pump	Easy Adaptation Kit
BH-7006-05-13	AB-1545	1885 psi / 140 bar	208-230 VAC, 2HP, 1PH, 3450 RPM	2.0CC/Rev	Optional BH-7000-00
BH-7006-05-14	AB-1545	2030 psi / 140 bar	208-230 VAC, 2HP, 1PH, 3450 RPM	2.0CC/Rev	Optional BH-7000-00
BH-7006-05-15	AB-1545	2175 psi / 150 bar	208-230 VAC, 2HP, 1PH, 3450 RPM	2.0CC/Rev	Optional BH-7000-00
BH-7006-05-16	AB-1545	2320 psi / 160 bar	208-230 VAC, 2HP, 1PH, 3450 RPM	2.0CC/Rev	Optional BH-7000-00
BH-7006-05-17	AB-1545	2465 psi / 170 bar	208-230 VAC, 2HP, 1PH, 3450 RPM	2.0CC/Rev	Optional BH-7000-00
BH-7006-05-18	AB-1545	2610 psi / 180 bar	208-230 VAC, 2HP, 1PH, 3450 RPM	2.0CC/Rev	Optional BH-7000-00
BH-7006-05-19	AB-1545	2755 psi / 190 bar	208-230 VAC, 2HP, 1PH, 3450 RPM	2.0CC/Rev	Optional BH-7000-00
BH-7006-05-20	AB-1545	2900 psi / 200 bar	208-230 VAC, 2HP, 1PH, 3450 RPM	2.0CC/Rev	Optional BH-7000-00
BH-7006-05-21	AB-1545	3045 psi / 210 bar	208-230 VAC, 2HP, 1PH, 3450 RPM	2.0CC/Rev	Optional BH-7000-00

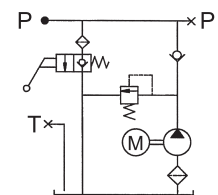


OPTIONAL EASY ADAPTATION KIT
Order: BH-7000-00

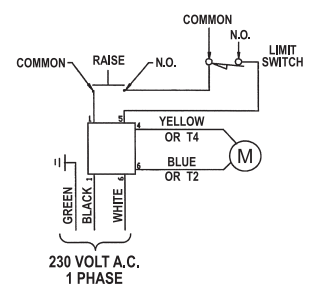
CONTENTS

- (1) BH-7000-02 36" Long Hose, 1/4" Hose, 3000 psi, -6 Male End and -6 Swivel Female End
- (1) BH-7000-06 Male 90° Elbow, -6 JIC to -SAE Straight Thread, Zinc Plated Steel
- (1) BH-7000-07 Swivel Nut Branch Tee, -6 Male to -6 Male to -6 Female Swivel Out, Zinc Plated Steel
- (1) BH-7000-08 8" Long, 1/4" Hose, 3000 psi, -6 Male End and -6 Swivel Female End
- (1) BH-7000-09A 24" Cable Tie, 0.36" Wide

HYDRAULIC CIRCUIT



ELECTRIC CIRCUIT





BH-7006-08
Pictured



The #1 Source for Auto Lift Power Units!

BH-7006-08 / BH-7007-03 Series
Single Phase • SPX Stone Power Unit



SPX > Stone® SPX Stone power units are a compact hydraulic power source utilizing an electric motor with the capability to generate high pressure ratings. The units are built specially for SVI and the industry it serves to provide a wide range of customer-specified pressure relief valve settings. The ability to properly select the required pressure relief allows industry professionals to confidently match the right power unit to the application. SVI performs this service routinely every day to ensure power units are shipped on a same-day basis with the correct pressure relief setting required for the job.

BH-7006-08 Series

115/230 VAC, 1HP, 1PH, 3450 RPM Motor • 4.0 Gallon Reservoir

Frame: 56 FR
Max Amps: 115/230 VAC 13/6.5
Pump: 1.2 GPM@2200 PSI

Maximum Run Time: 75 Seconds
Pressure / Return Port Size: 9/16" SAE
Auxiliary Return Port: 3/8" NPT

BH-7006-08
LESS PLUG

Part #	SPX / Stone #	Pressure Relief Valve (psi/bar)	Motor	Pump	Easy Adaptation Kit
BH-7006-08-14	AB-1588	2030 psi / 140 bar	115/230 VAC, 1HP, 1PH, 3450 RPM, 110 Volt	1.6CC/Rev	Optional BH-7000-00
BH-7006-08-15	AB-1588	2175 psi / 150 bar	115/230 VAC, 1HP, 1PH, 3450 RPM, 110 Volt	1.6CC/Rev	Optional BH-7000-00
BH-7006-08-16	AB-1588	2320 psi / 160 bar	115/230 VAC, 1HP, 1PH, 3450 RPM, 110 Volt	1.6CC/Rev	Optional BH-7000-00
BH-7006-08-17	AB-1588	2465 psi / 170 bar	115/230 VAC, 1HP, 1PH, 3450 RPM, 110 Volt	1.6CC/Rev	Optional BH-7000-00
BH-7006-08-18	AB-1588	2610 psi / 180 bar	115/230 VAC, 1HP, 1PH, 3450 RPM, 110 Volt	1.6CC/Rev	Optional BH-7000-00



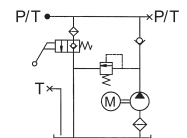
OPTIONAL EASY ADAPTATION KIT

Order: BH-7000-00

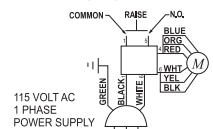
CONTENTS

- (1) BH-7000-02 36" Long Hose, 1/4" Hose, 3000 psi, -6 Male End and -6 Swivel Female End
- (1) BH-7000-06 Male 90° Elbow, -6 JIC to -SAE Straight Thread, Zinc Plated Steel
- (1) BH-7000-07 Swivel Nut Branch Tee, -6 Male to -6 Male to -6 Female Swivel Out, Zinc Plated Steel
- (1) BH-7000-08 8" Long, 1/4" Hose, 3000 psi, -6 Male End and -6 Swivel Female End
- (1) BH-7000-09A 24" Cable Tie, 0.36" Wide

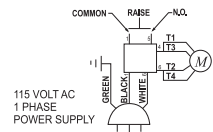
HYDRAULIC CIRCUIT



ELECTRIC CIRCUIT
OPTION 1



OPTION 2





The #1 Source for Auto Lift Power Units!

**BH-7007-01 Series - Single Phase
SPX Stone Power Unit**



SPX > Stone® SPX Stone power units are a compact hydraulic power source utilizing an electric motor with the capability to generate high pressure ratings. The units are built specially for SVI and the industry it serves to provide a wide range of customer-specified pressure relief valve settings. The ability to properly select the required pressure relief allows industry professionals to confidently match the right power unit to the application. SVI performs this service routinely every day to ensure power units are shipped on a same-day basis with the correct pressure relief setting required for the job.

**Horizontal or
Vertical Mount**

**115/230 VAC, 3/4HP, 1PH, 3450 RPM Motor
6.5 Quart Reservoir**

Frame: 56 FR
 Max Amps: 115/230 VAC 15/7.5
 Pump: 0.6 GPM@2000 PSI
 Maximum Run Time: 75 Seconds
 Pressure / Return Port Size: 9/16" SAE
 Auxiliary Return Port: 3/8" NPT

Part #	SPX / Stone #	Pressure Relief Valve (psi/bar)	Motor	Pump	Easy Adaptation Kit
BH-7007-01-14	AC-10TC	2030 psi / 140 bar	115/230 VAC, 3/4HP, 1PH, 3450 RPM, 110 Volt	0.8CC/Rev	Optional BH-7000-00
BH-7007-01-15	AC-10TC	2175 psi / 150 bar	115/230 VAC, 3/4HP, 1PH, 3450 RPM, 110 Volt	0.8CC/Rev	Optional BH-7000-00
BH-7007-01-16	AC-10TC	2320 psi / 160 bar	115/230 VAC, 3/4HP, 1PH, 3450 RPM, 110 Volt	0.8CC/Rev	Optional BH-7000-00

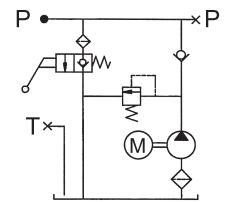


**OPTIONAL EASY
ADAPTATION KIT**
Order: BH-7000-00

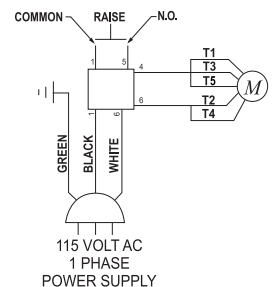
CONTENTS

- (1) BH-7000-02 36" Long Hose, 1/4" Hose, 3000 psi, -6 Male End and -6 Swivel Female End
- (1) BH-7000-06 Male 90° Elbow, -6 JIC to -SAE Straight Thread, Zinc Plated Steel
- (1) BH-7000-07 Swivel Nut Branch Tee, -6 Male to -6 Male to -6 Female Swivel Out, Zinc Plated Steel
- (1) BH-7000-08 8" Long, 1/4" Hose, 3000 psi, -6 Male End and -6 Swivel Female End
- (1) BH-7000-09A 24" Cable Tie, 0.36" Wide

HYDRAULIC CIRCUIT



ELECTRIC CIRCUIT





The #1 Source for Auto Lift Power Units!

BH-7003-01 Series - Single Phase Import VIBO Power Unit



Alternative to SVI's BH-7006A-18 Power Unit

VIBO VIBO is a leading offshore enterprise specializing in the research, development and manufacture of hydraulic power units. The shop utilizes state of the art equipment and high grade materials to produce a full line of products including those featured by SVI.

Their professional design team provides hydraulic solutions for the customers it serves, including specialized solutions for custom applications.

VIBO operates with a "Win-Win Development" commitment to provide SVI with excellent service in terms of price, product quality and technical support. Valuing a relationship and the mutual benefit of cooperation with SVI, VIBO is leading the industry as an excellent brand when value pricing with an eye on quality is a top priority.

VIBO—Value / Innovation / Belief / Obligation

**220 VAC, 3HP, 1PH, 3360 RPM Motor
2.9 Gallon Reservoir**

Frame: 56 FR
Max Amps: 220 VAC 12
Pump: 1.8 GPM@2200 PSI

Maximum Run Time: 75 Seconds
Pressure / Return Port Size: 9/16" SAE
Features a pressure / return port on both sides of the manifold.
Use one or the other for ease in installation.

Part #	Pressure Relief Valve (psi/bar)	Motor	Pump	Easy Adaptation Kit
BH-7003-01	2610 psi / 180 bar	220 VAC, 3HP, 1PH, 3360 RPM	2.0CC/Rev	Optional BH-7000-00

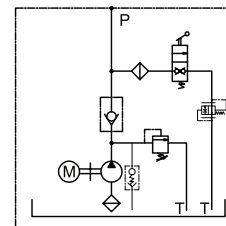


OPTIONAL EASY ADAPTATION KIT
Order: BH-7000-00

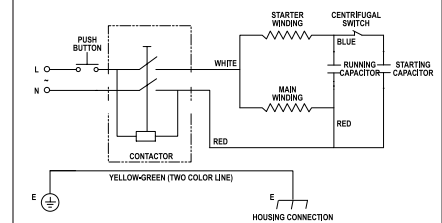
CONTENTS

- (1) BH-7000-02 36" Long Hose, 1/4" Hose, 3000 psi, -6 Male End and -6 Swivel Female End
- (1) BH-7000-06 Male 90° Elbow, -6 JIC to -SAE Straight Thread, Zinc Plated Steel
- (1) BH-7000-07 Swivel Nut Branch Tee, -6 Male to -6 Male to -6 Female Swivel Out, Zinc Plated Steel
- (1) BH-7000-08 8" Long, 1/4" Hose, 3000 psi, -6 Male End and -6 Swivel Female End
- (1) BH-7000-09A 24" Cable Tie, 0.36" Wide

HYDRAULIC CIRCUIT



ELECTRICAL CIRCUIT



SVI—Service • Value • Innovation



The #1 Source for Auto Lift Power Units!

BH-7008-82
Rhino Power Unit

2HP



RHINO 2HP 208-230V AC Hydraulic power unit with power up and gravity down functions for above ground vehicle lifts. A push of a button raises the lift and a manually operated lowering control valve is used to lower the lift. This unit features an installer adjustable pressure relief valve and 3.6 GAL opaque tank.

Power Unit 2HP, 1PH, 3520RPM, 2 GPM

- **Lowering Valve:** Manual operated
- **Buffer Valve:** Z1-4
- **Pressure Relief Valve:** Adjustable and factory preset to 2850PSI
- **Check Valve:** M20x1.5
- **Motor:** 208-230V, 1PH, 50/60HZ, 2930/3520RPM
- **Gear Pump:** 2.1CC/R 2GPM
- **Suction Filter:** 100 mesh
- **Tank:** 3.6 gallon, Usable, Opaque, Plastic



2.0 HP, MET recognized/UL 201/CSA 22.2 NO.68

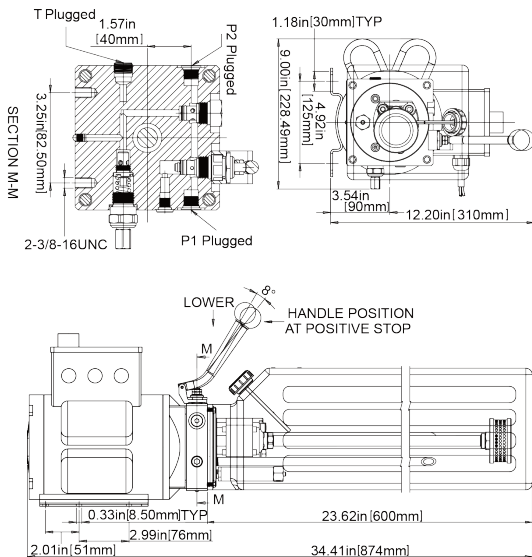


OPTIONAL RESERVOIR
BH-7008-84
Ref: WG-06-1054
4-Post Lift Extra Capacity Reservoir for BH-7008-82 & BH-7008-83 Models (6.2 Gallons)

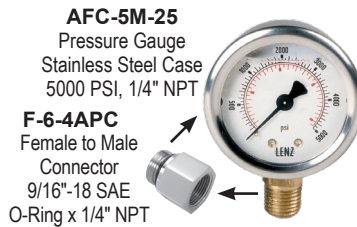
7"x22-1/4"x11-3/4"

Part #	Rhino #	Pressure Relief Valve (psi/bar)	Motor	Pump
BH-7008-82	AC2850	Adjustable	208-230V, 2HP, 1PH, 3520 RPM	2.1CC/R, 2GPM

UNIT SCHEMATICS

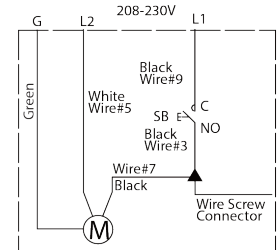


PRESSURE RELIEF VALVE INSTRUCTIONS

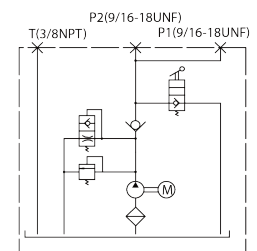


- 1) Plug one of the two outlets (P1 or P2) and install the pressure relief in the unplugged outlet.
- 2) Remove the cover nut from the pressure relief valve. Energize the power unit and the pressure gauge will depict the current pressure setting, which is preset at 2850 PSI.
- 3) To increase the pressure tighten the socket head cap screw with an Allen wrench. To decrease the pressure loosen the screw. When desired pressure relief setting is achieved, disengage the motor, replace the cover nut, remove the gauge, and properly connect hydraulic line.

HYDRAULIC CIRCUIT



ELECTRICAL CIRCUIT





The #1 Source for Auto Lift Power Units!

BH-7008-83
Rhino Power Unit

5HP
Use To Speed Up
2 & 4 Post Lifts



RHINO 5HP 208-230V AC Hydraulic power unit with power up and gravity down functions for above ground vehicle lifts. A push of a button raises the lift and a manual control allows for controlled lowering. This unit features an adjustable pressure relief valve and 3.6 GAL opaque tank.

Power Unit 5HP, 1PH, 3520RPM, 3 GPM

- **Lowering Valve:** Manual operated
- **Buffer Valve:** Z1-4
- **Pressure Relief Valve:** Adjustable and factory preset to 2850PSI
- **Check Valve:** M20x1.5
- **Motor:** 208-230V, 1PH, 50/60HZ, 2930/3520RPM, 5.0 HP
- **Gear Pump:** 3.2CC/R 3GPM
- **Suction Filter:** 100 mesh
- **Tank:** 3.6 gallon, Usable, Opaque, Plastic

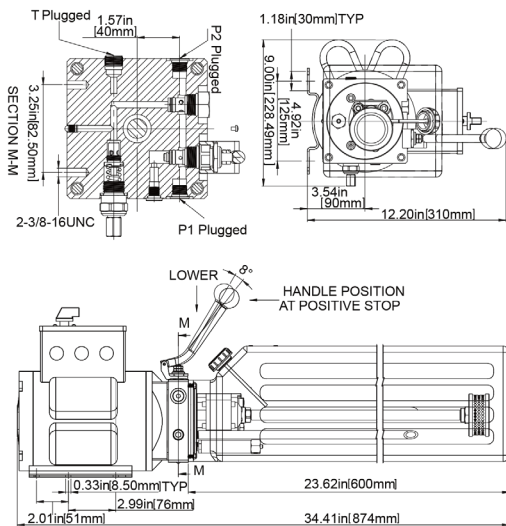


OPTIONAL RESERVOIR
BH-7008-84
Ref: WG-06-1054
4-Post Lift Extra Capacity Reservoir for BH-7008-82 & BH-7008-83 Models (6.2 Gallons)

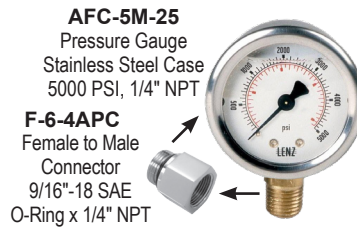
7"x22-1/4"x11-3/4"

Part #	Rhino #	Pressure Relief Valve (psi/bar)	Motor	Pump
BH-7008-83	AC2850HS	Adjustable	208-230V, 5HP, 1PH, 3520 RPM	3.2CC/R, 3GPM

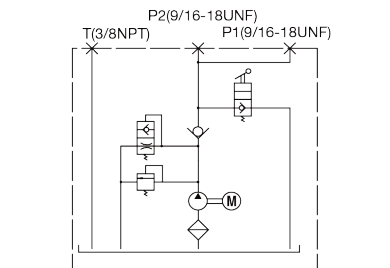
UNIT SCHEMATICS



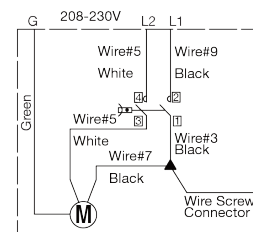
PRESSURE RELIEF VALVE HYDRAULIC CIRCUIT INSTRUCTIONS



- 1) Plug one of the two outlets (P1 or P2) and install the pressure relief in the unplugged outlet.
- 2) Remove the cover nut from the pressure relief valve. Energize the power unit and the pressure gauge will depict the current pressure setting, which is preset at 2850 PSI.
- 3) To increase the pressure tighten the socket head cap screw with an Allen wrench. To decrease the pressure loosen the screw. When desired pressure relief setting is achieved, disengage the motor, replace the cover nut, remove the gauge, and properly connect hydraulic line.



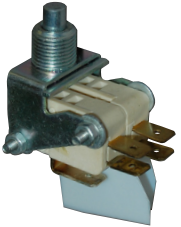


ELECTRICAL CIRCUIT



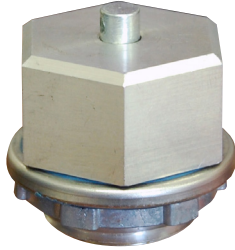
Commonly Requested Switches and Parts

DIRECTFIT™

 <p>BH-7004-19 (Ref 1258-AA, Many) Switch Push to Raise Kit: BH-7004-19K (includes Boot)</p>	<p>BH-7503-65 Housing (right) Sold Separately</p>  <p>BH-7503-65S (Ref 1258-AA) Raise Switch with Green Button</p>	 <p>BH-7000-81 (Ref 5525130) Double Pole 6-Prong Switch (1)</p>	 <p>BH-7004-36 (Ref 4611-AA, Many) Small Microswitch (New Style)</p>																								
 <p>BH-7010-02 Switch for Applied Hydraulics Power Unit</p>	 <p>BH-7010-05 Power Unit Switch 6-Terminal</p>	 <p>BH-7010-06 Power Unit Switch 4-Terminal</p>	 <p>BH-7010-07 Power Unit Switch 3-Terminal</p>																								
 <p>BH-7215-01 (Ref 205252, 80820730) Microswitch with Roller End</p>	 <p>BH-7006-55 (Ref 4193-AA) Up Switch (1)</p>	 <p>BH-7004-46 Microswitch / Pushbutton Assembly for Power Units</p>																									
 <p>BH-7490-54 Limit Switch for Tuxedo TP11KAC</p>	 <p>BH-7239-45 (Ref 991404) Double Pole 6-Prong Switch (1) for Forward Lifts</p>	<table border="1"> <thead> <tr> <th>Item</th> <th>SVI Part #</th> <th>OEM Ref</th> <th>Description</th> </tr> </thead> <tbody> <tr> <td>--</td> <td>BH-7004-46</td> <td></td> <td>Microswitch / Push Button Assy.</td> </tr> <tr> <td>1</td> <td>BH-7006-31</td> <td>4212-AA</td> <td>Protective Boot</td> </tr> <tr> <td>2</td> <td>BH-7004-29</td> <td>4610-AA</td> <td>Start Switch Green Button</td> </tr> <tr> <td>3</td> <td>BH-7004-28</td> <td>4609-AA</td> <td>Plastic Nut</td> </tr> <tr> <td>4</td> <td>BH-7004-36</td> <td>N413-1</td> <td>Microswitch</td> </tr> </tbody> </table>		Item	SVI Part #	OEM Ref	Description	--	BH-7004-46		Microswitch / Push Button Assy.	1	BH-7006-31	4212-AA	Protective Boot	2	BH-7004-29	4610-AA	Start Switch Green Button	3	BH-7004-28	4609-AA	Plastic Nut	4	BH-7004-36	N413-1	Microswitch
Item	SVI Part #	OEM Ref	Description																								
--	BH-7004-46		Microswitch / Push Button Assy.																								
1	BH-7006-31	4212-AA	Protective Boot																								
2	BH-7004-29	4610-AA	Start Switch Green Button																								
3	BH-7004-28	4609-AA	Plastic Nut																								
4	BH-7004-36	N413-1	Microswitch																								

Commonly Requested Switches and Parts

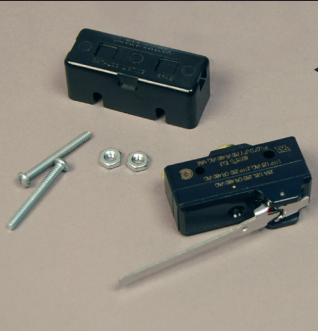
DIRECTFIT™



BH-7006-47
Overhead Limit
Switch Housing

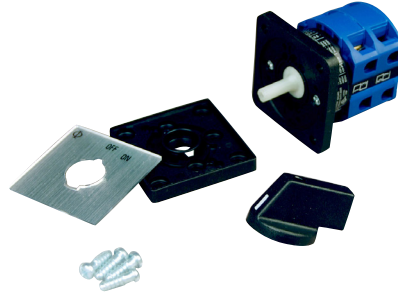


BH-7004-42
(Ref 6-1185, W-138)
3-Phase
Turnstile Switch



BH-7256-34 (Ref 65027)
Overhead Limit Switch

BH-7256-34A
Limit Switch Only



BH-7004-25R
(Ref 1329-AA, W-35)
3-Phase
Turnstile Switch



BH-7004-43
(Ref 4477-AB)
3-Phase
Turnstile
Switch



BH-7453-89
(Ref 85.23)
Up Switch for
Nussbaum
3-7/8" x 3"



BH-7538-95 (Ref P3000-2)
Lowering Valve for Rotary



BH-7543-66
(Ref P1164-2)
Lowering Valve
for Rotary



*SVI has the power units
and parts you need!*

Call today: 800-321-8173



Parts for Applied Hydraulics Power Units

DIRECTFIT™



BH-7010-02
Switch for
Applied Hydraulics
Power Unit



BH-7010-04
(Ref 54580903)
Check Valve



BH-7010-03
(OEM 54580917)
Lowering Valve
with Handle



BH-7010-03NH
(OEM 54580917x)
Lowering Valve
(No Handle)

Parts for DURO Power Units

Duro Power units are found on many brands of lifts including Tuxedo, Eagle, Kernel, and many more!



**3-Gallon Reservoir
for DURO
Power Unit**
BH-7490-49

SVI Part #	Cross Ref #	Description
BH-7490-49	EAG KER PU DURO 03	3 Gallon Reservoir for Duro
BH-7488-40	PU-DURO-041	Capacitor for Duro Power Unit
BH-7488-44	PU-DURO-031	Lowering Valve for Duro Power Unit
BH-7490-50	EAG AKL DURO 05	Lowering Valve for Duro Power Unit

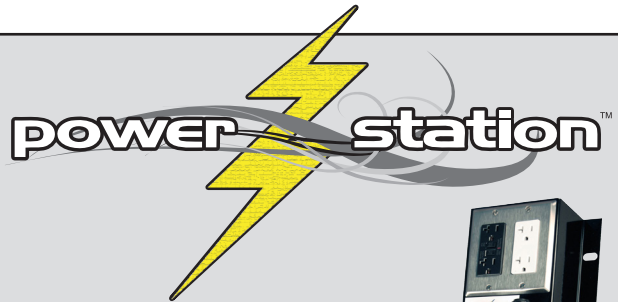
*Prevents Door
Dings!*



doorjammer PRO™
Durable • Impact Resistant

Available in 2 Sizes!

- BH-7077-02-2S** 12" tall x 18" wide
- BH-7077-02-2** 24" tall x 18" wide



**POWER STATION™
AIR / ELECTRIC
UTILITY BOX**

- BH-7070-K** For 2-Post Lifts
- BH-7069-K** For 4-Post Lifts





Parts for Fenner / SPX Power Units

DIRECTFIT™

Replacement Reservoirs

Available from SVI—Call today!

**Call to order your reservoir today!
Many available!**

For Fenner Power Units, call with your "AB number" to ensure correct reservoir.



BH-7005-21
(Ref 260185)



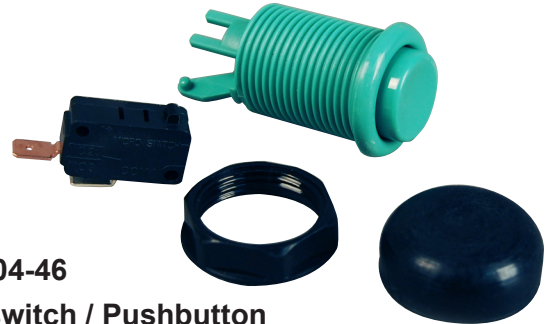
BH-7004-14
(Ref 1214-AA)



BH-7004-30
(Ref 8060-CC)



BH-7006-27
(Ref 1283-AB)



BH-7004-46
Microswitch / Pushbutton
Assembly for Power Units

Individual Components Also Available



BH-7004-45
(Ref 2002068)
Capacitor

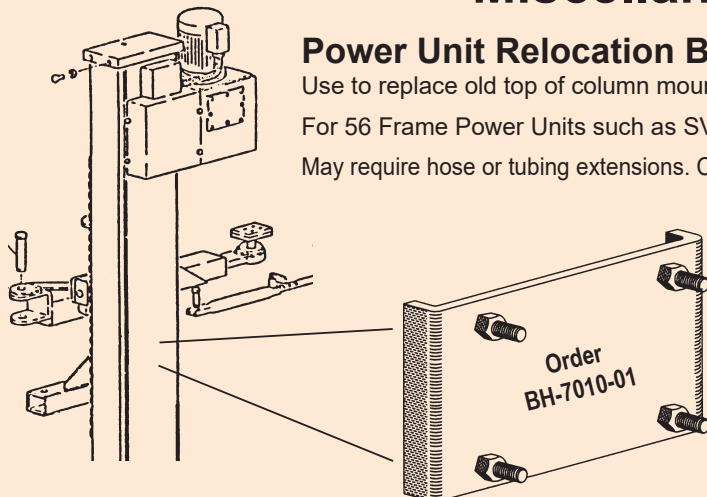
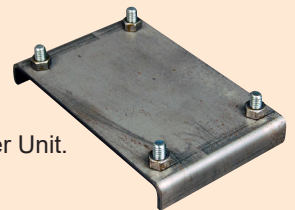


BH-7239-603
(Ref 991468)
Power Unit Start
Switch Cover
for Forward Lifts

Miscellaneous Items

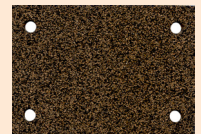
Power Unit Relocation Bracket - BH-7010-01

Use to replace old top of column mount power unit with new style Power Unit.
For 56 Frame Power Units such as SVI unit BH-7006-01.
May require hose or tubing extensions. Consult local hydraulic house or call SVI for help.



Supplied unfinished for ease of welding. You will need to grind paint or powder coat finish off column to install. Once welded refinish area with a close matching paint.

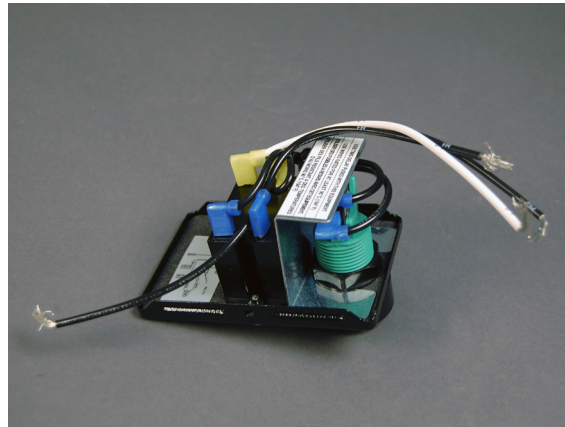
BH-7011-10 Vibration Gasket





Parts for Fenner / SPX Power Units

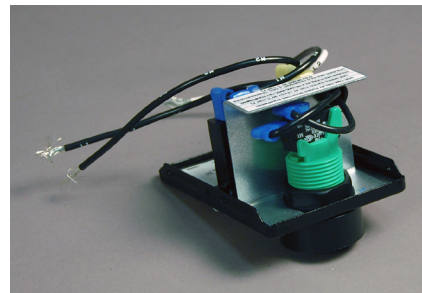
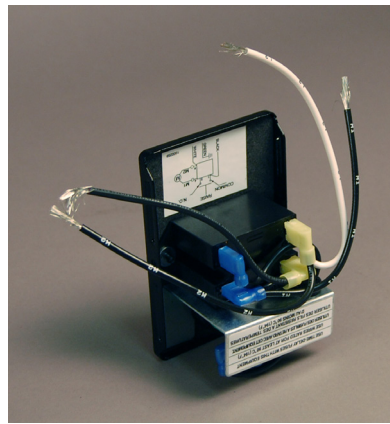
DIRECTFIT™



BH-7006-30
(Ref W-200-230, 3000631)
Microswitch Wiring Assembly



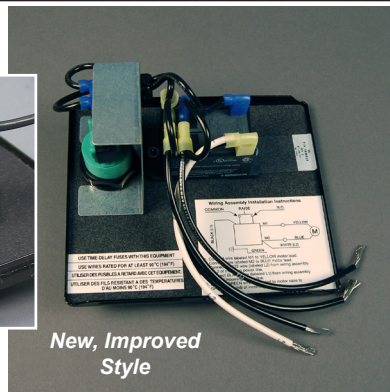
BH-7004-44
(Ref W-435)
Wiring Assembly



BH-7006-33 (Ref W-200-115, 3000707)
Microswitch Wiring Assembly



Old Style
NLA



New, Improved
Style

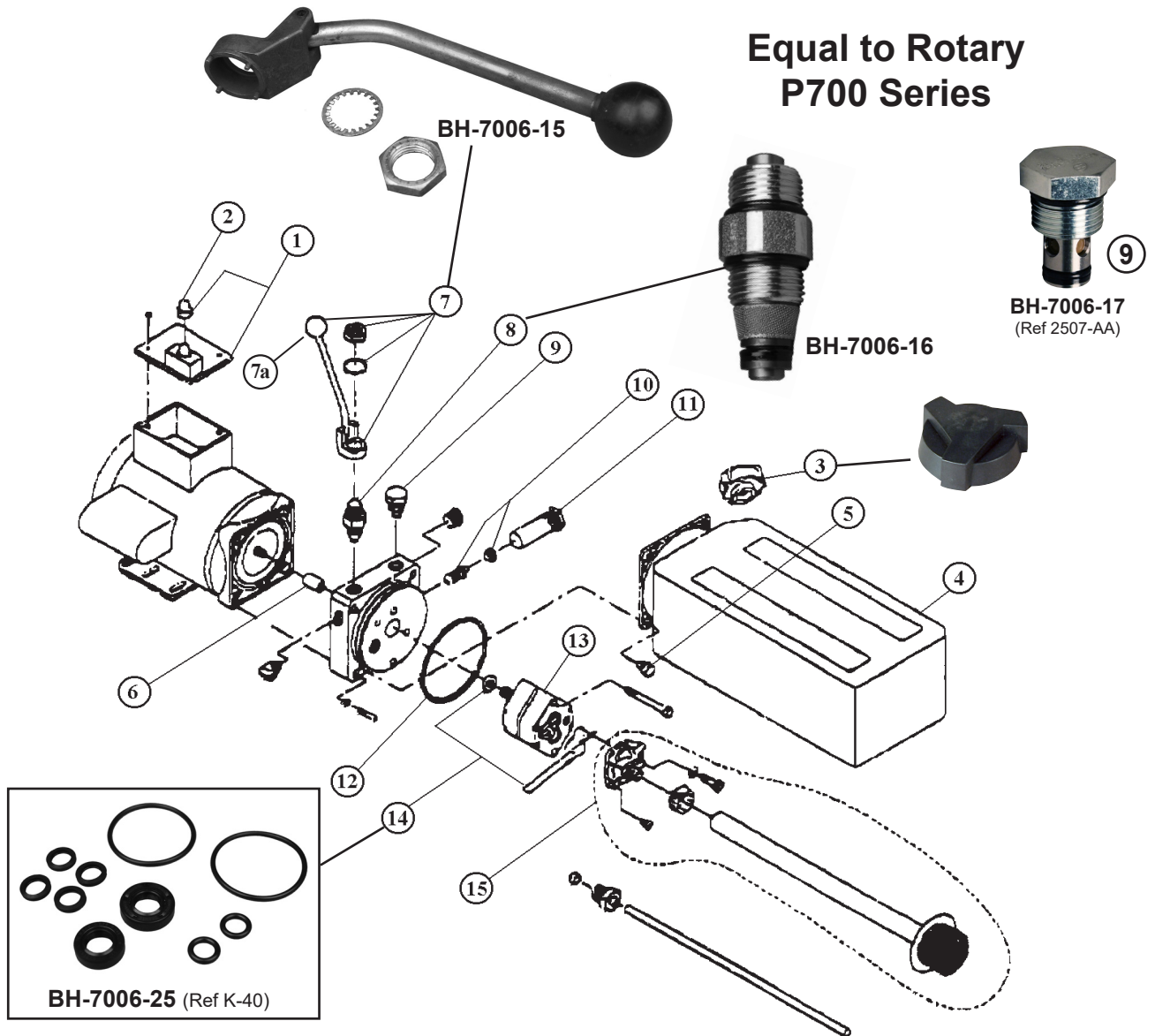
BH-7006-51
(Ref W-401-230, 3000630)
Microswitch Wiring Assembly New Style



Parts for Fenner / SPX Power Units

DIRECTFIT™

Equal to Rotary
P700 Series



Item	SVI Part #	OEM #	Req	Description
1	BH-7007-35	W-29	1	Microswitch Wiring Assembly
2	BH-7002-12	1277-AA	1	Microswitch Boot
3	BH-7004-30	8060-CC	1	Breather, Pop-on
4	Must Provide AB# to order correct Reservoir			
	BH-7006-40		1	Reservoir 3.5 Gal Plastic
	BH-7006-40K			or Reservoir Kit 3.5 Gal
5	BH-7007-44	3346-AA	4	Reservoir Screw
6	BH-7004-18	1118-AA	1	Coupling 1-1/4"
7	BH-7006-15	K-100	1	Manual Release Assembly
7a	BH-7006-15B	1266-AA	1	Handle Ball (only) (Included in BH-7006-15)
8	BH-7006-16	VF-9021	1	Manual Release Valve

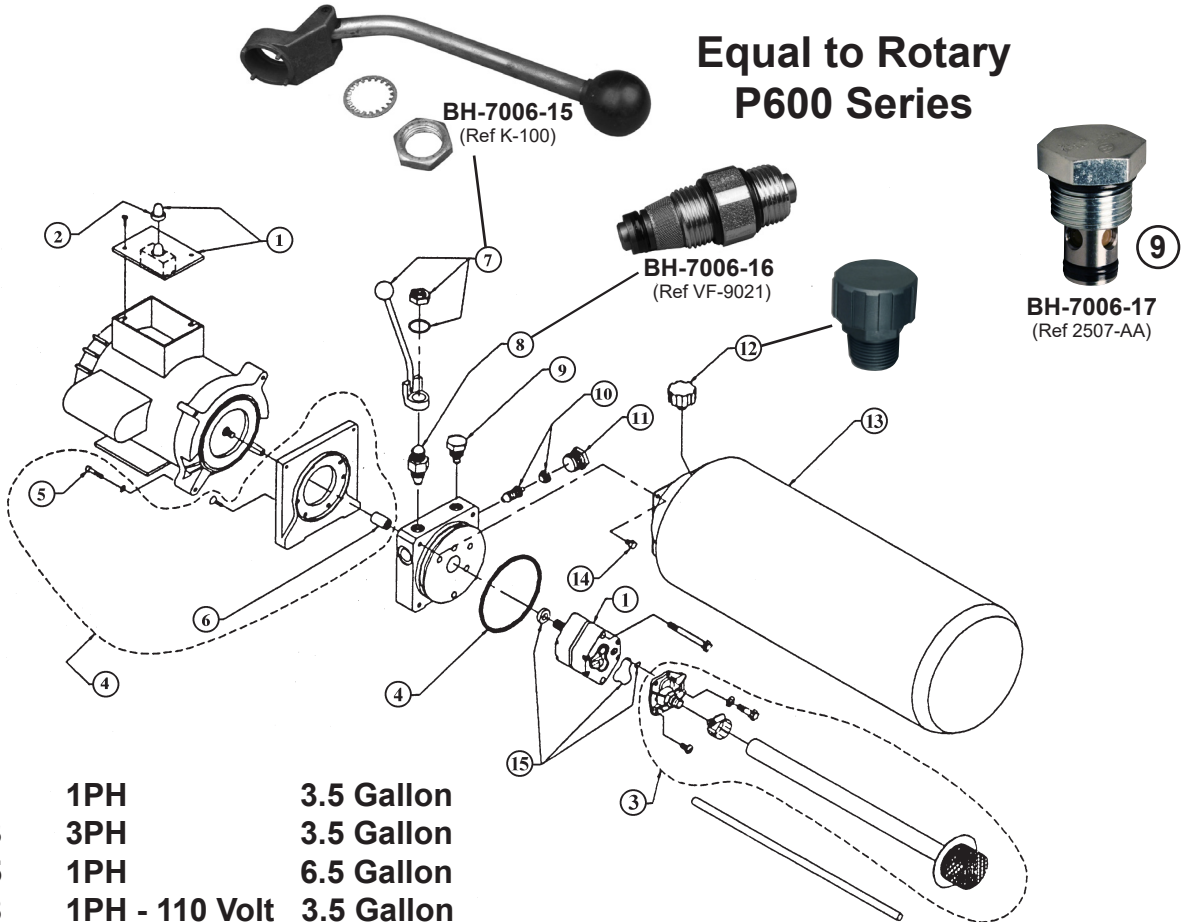
Item	SVI Part #	OEM #	Req	Description
--	BH-7006-16OR			O-Ring Kit for BH-7006-16
9	BH-7006-17	2507-AA	1	Check Valve Cartridge
10	Call now!		1	Fixed Relief Valve Please Provide AB# to order correct Valve
11	BH-7007-39	3729-AA	1	Relief Valve Cap
	BH-7006-19	1600-BA	1	Relief Valve Cap
12	OB-70-348	G1-1073-48	1	Reservoir O-Ring
13	BH-7006-21	PS-2.5	1	Pump Assembly (KP25)
14	BH-7006-25	K-40	1	Pump O-Ring Kit
15	BH-7007-40	K-168	1	Inlet Plumbing Kit



Parts for Fenner / SPX Power Units

DIRECTFIT™

Equal to Rotary
P600 Series

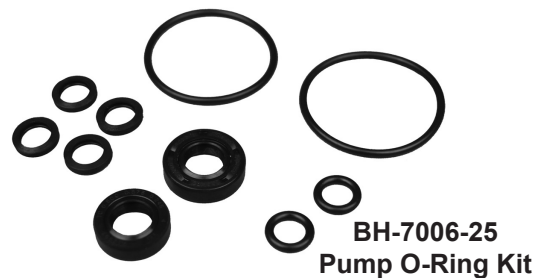


- BH-7006-01** 1PH 3.5 Gallon
- BH-7006-03** 3PH 3.5 Gallon
- BH-7006-05** 1PH 6.5 Gallon
- BH-7006-08** 1PH - 110 Volt 3.5 Gallon
- BH-7006-01LS** 1PH 3.5 Gallon
(Has limit switch for overhead shut off)

Item	SVI Part #	OEM #	Req	Description
1	BH-7006-21	PS-2.5	1	Pump Assembly (BH-7006)
2	BH-7002-12	1277-AA	1	Microswitch Boot
3	BH-7006-23A	K-102	1	Inlet Plumbing Kit (BH-7006)
4	OB-70-348	G1-1073-48	1	Reservoir O-Ring
5	F-SC-0250-20-1625		4	1/4-20 x 1-5/8 SHCS
6	BH-7006-14	2181-BA	1	Coupling 1-3/4"
7	BH-7006-15	K-100	1	Manual Release Assembly
8	BH-7006-16	VF-9021	1	Manual Release Valve
--	BH-7006-16OR			O-Ring Kit for BH-7006-16
9	BH-7006-17	2507-AA	1	Valve Cartridge Check

Item	SVI Part #	OEM #	Req	Description
10	BH-7006-18	RV-16	1	Fixed Relief Valve
11	BH-7006-19	1600-BA	1	Relief Valve Cap
12	BH-7006-27	1683-AB	1	Breather
13	Must Provide AB# to order correct Reservoir			
	BH-7006-28R	KR-44	1	Reservoir 3.5 Gal Steel
	BH-7006-40K	KR-54	1	Reservoir 3.5 Gal Plastic Kit
14	BH-7006-29	F2-1170-31	4	Reservoir Screw
15	BH-7006-25	K-40	1	Pump O-Ring Kit

BH-7006-16 (Pictured Far Left)
(OEM ref VF-9021)
Manual Release Valve
~or~
BH-7006-16OR (Pictured Left)
O-Ring Seals Only for
Manual Release Valve

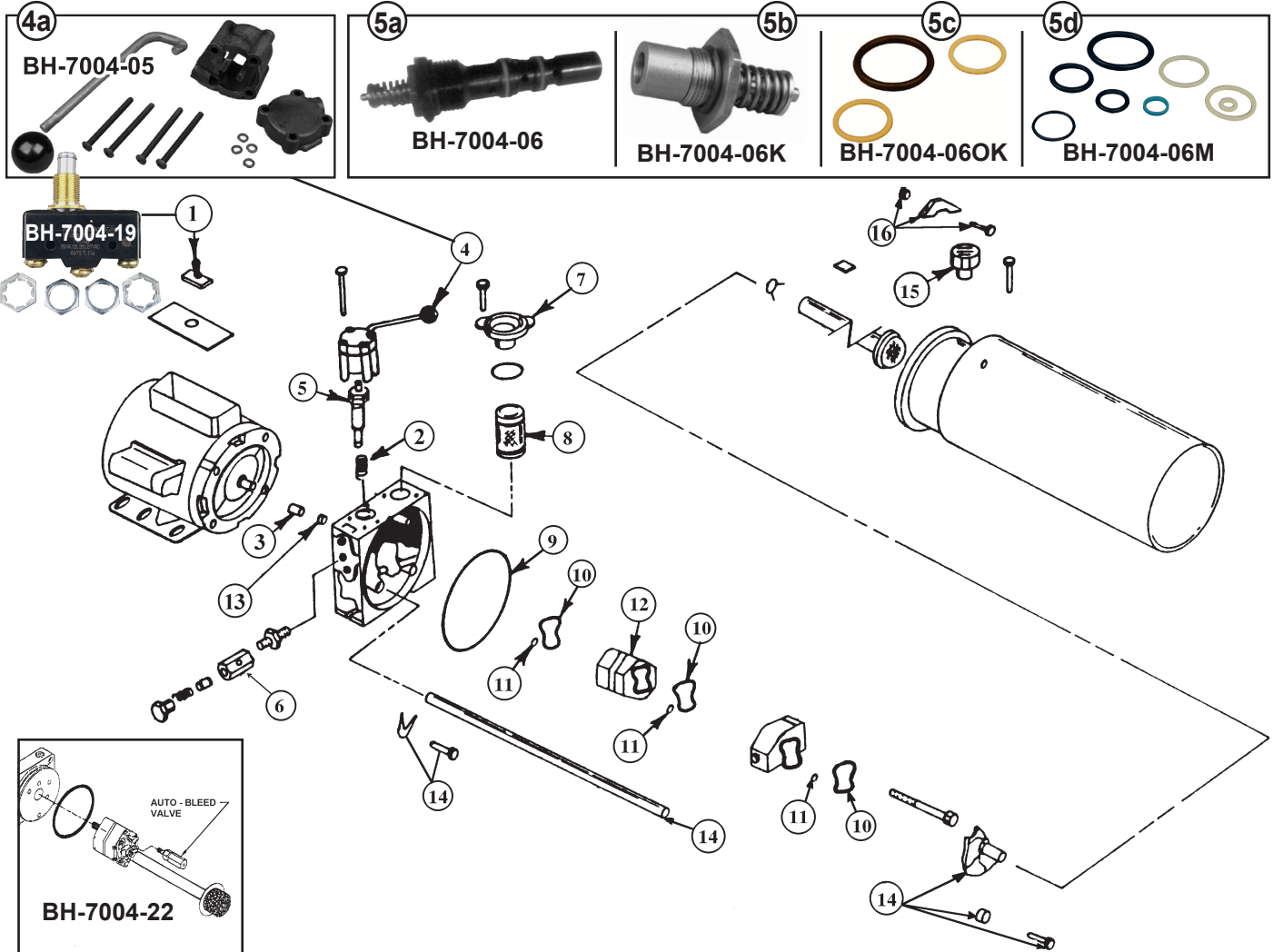




Parts for Fenner / SPX Power Units

DIRECTFIT™

For use on Rotary P502 Power Units.
Some parts also for use on Rotary P500 Units.



Item	SVI Part #	OEM #	Req	Description
1	BH-7004-19	1258-AA	1	Switch
	BH-7002-12	1277-AA	1	Microswitch Boot
	BH-7004-19K			Microswitch and Boot KIT
2	BH-7006-18	RV-16	1	Fixed Relief Valve
3	BH-7004-18	1118-AA	1	Coupling 1-1/4"
4 a	BH-7004-05	A-01	1	Lower Handle/Cover Kit
	b BH-7004-05B	1144-CC	1	Plastic Body Only
	c BH-7004-05C	1145-CC	1	Plastic Cap Only
5 a	BH-7004-06	V-12	1	Lowering Valve Assy.
	b BH-7004-06K	KV-12	opt.	Valve Stem Repair Kit
	c BH-7004-06OK			O-Ring Kit for Lowering Valve Above
	d BH-7004-06M			O-Ring Kit for Lowering Valve Above

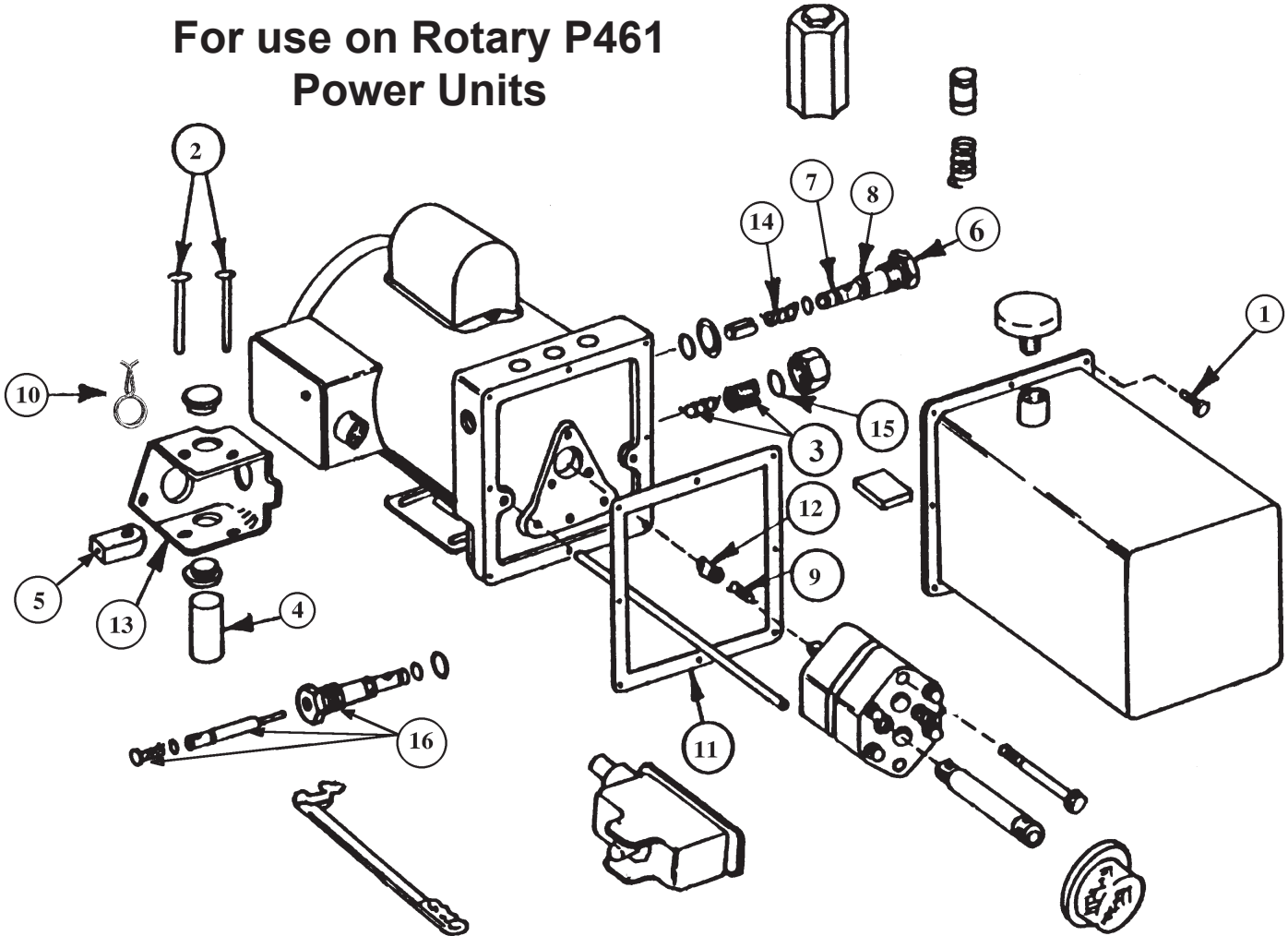
Item	SVI Part #	OEM #	Req	Description
6	BH-7004-07	RV-12	1	Relief Valve w/spring
7	BH-7004-08	1142-BB	1	Breather Cap 3/8" thread
8	BH-7004-09	1160-BB	1	Filter Element (NLA)
9	BH-7004-10	1140-BA	1	Reservoir Gasket
10	OB-70-132	PC-31-6	3	Large Pump O-Ring
10/11	BH-7006-25	K-40	1	Pump O-Ring Kit
11	OB-70-110	PL-31-8	3	Small Pump O-Ring
12	BH-7006-21	P2.5D	1	Pump
13	BH-7004-17	1094-AA	1	Shaft Seal
14	BH-7004-13	K-09	1	Vertical Suction Tube Kit
15	BH-7004-14	1214-AA	1	Filler Breather 3/8" thread
16	BH-7004-16	1138-CA	3	Reservoir Hanger Assy.
--	BH-7004-22	K-156		Auto Bleed Valve



Parts for Fenner / SPX Power Units



For use on Rotary P461 Power Units

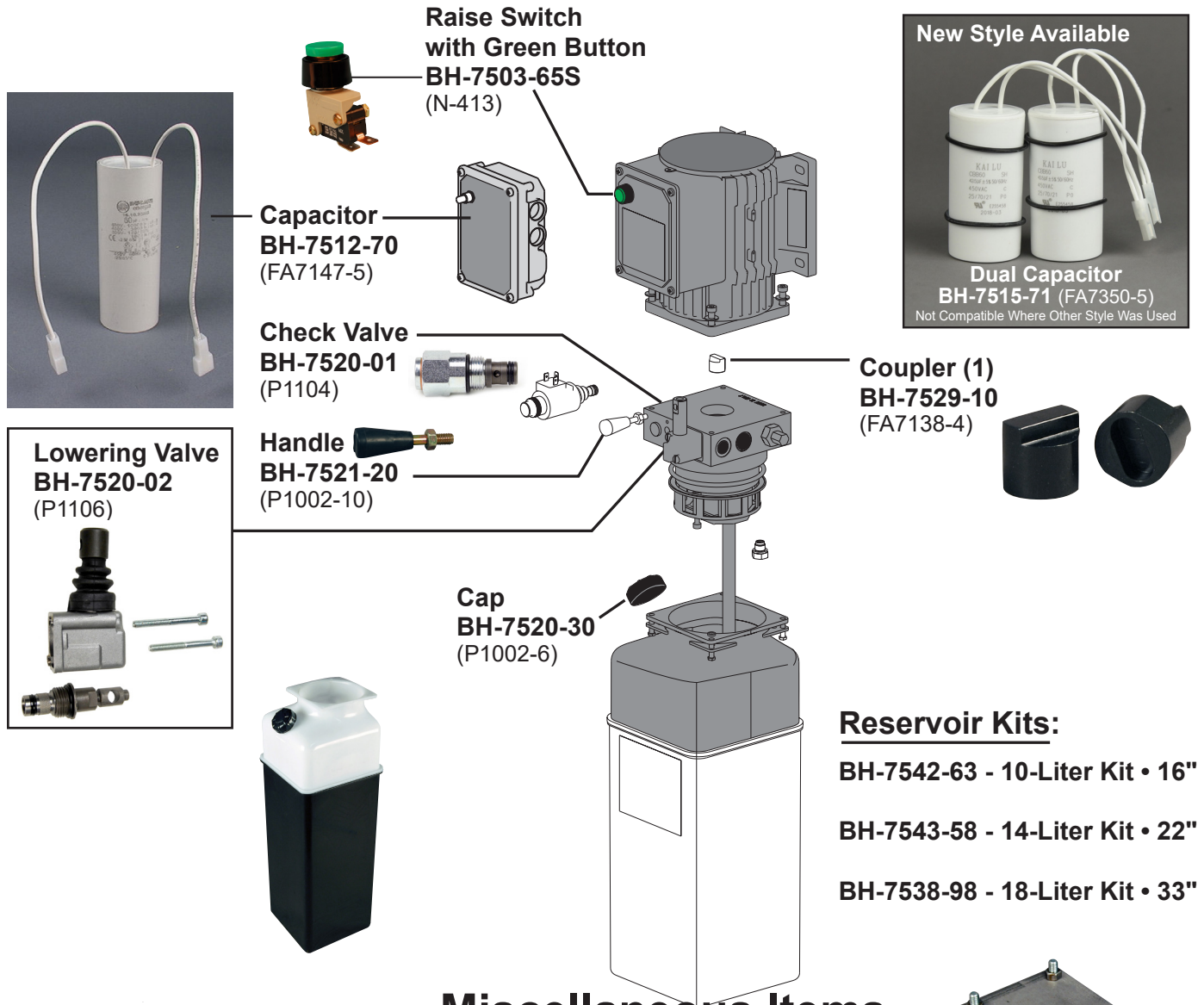


Item	SVI Part #	OEM #	Req	Description
1	F-HC-0125-24-0375	F1-1010-37	8	Hex Head Cap Screw
2	BH-7005-02	F6-0181-87	2	Headed Pin
3	BH-7005-18	RV-2	1	Relief Valve Assembly includes: W5-1020-95
4	BH-7005-04	S9-5000-14	1	Cam Shaft Assembly
5	BH-7005-05	S9-5001-11	1	Relief Valve Cam Assy.
6	BH-7005-17	2286-AA	1	Check Cap Assembly
7	OB-90-013	G1-1010-12	1	O-Ring
8	OB-90-015	G1-1010-14	1	O-Ring
9	BH-7005-09	C1-1033-00	1	Spring

Item	SVI Part #	OEM #	Req	Description
10	BH-7005-10B	11072	1	Torsion Spring (single) (other styles no longer available)
11	BH-7005-11	G3-3002-00	1	Reservoir Gasket
12	BH-7005-12	J3-1001-14	1	Coupling
13	BH-7005-13	S9-6000-03	1	Act. Mfg. Bracket Assy.
14	BH-7005-14	S1-1009-00	1	Check Valve Spring Assy.
15	BH-7005-15	W6-1006-00	1	Seal Ring
16	BH-7005-16	2155-AA	1	Release Cap & Stem Assy. includes: S3-1000-01, S4-1000-00

Parts for Global Hydraulics Power Unit

DIRECTFIT™



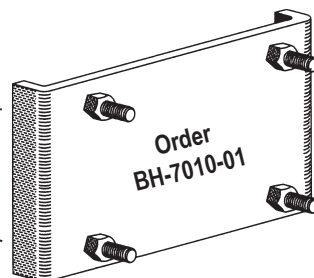
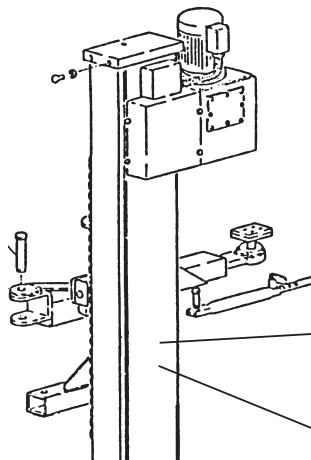
Miscellaneous Items

Power Unit Relocation Bracket - BH-7010-01

Use to replace old top of column mount power unit with new style Power Unit.

For 56 Frame Power Units such as SVI unit BH-7006-01.

May require hose or tubing extensions. Consult local hydraulic house or call SVI for help.



Supplied unfinished for ease of welding. You will need to grind paint or powder coat finish off column to install. Once welded refinish area with a close matching paint.

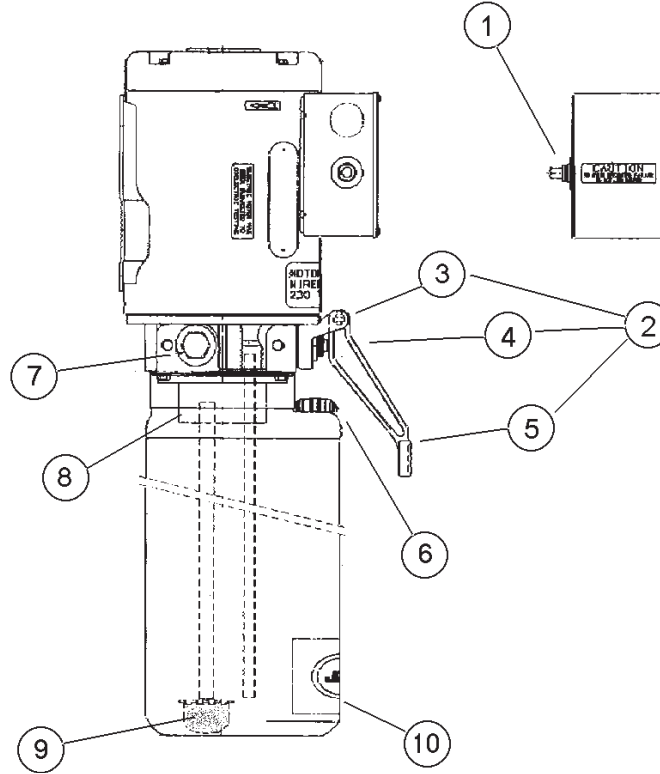
BH-7011-10 Vibration Gasket





Parts for Barnes Power Units

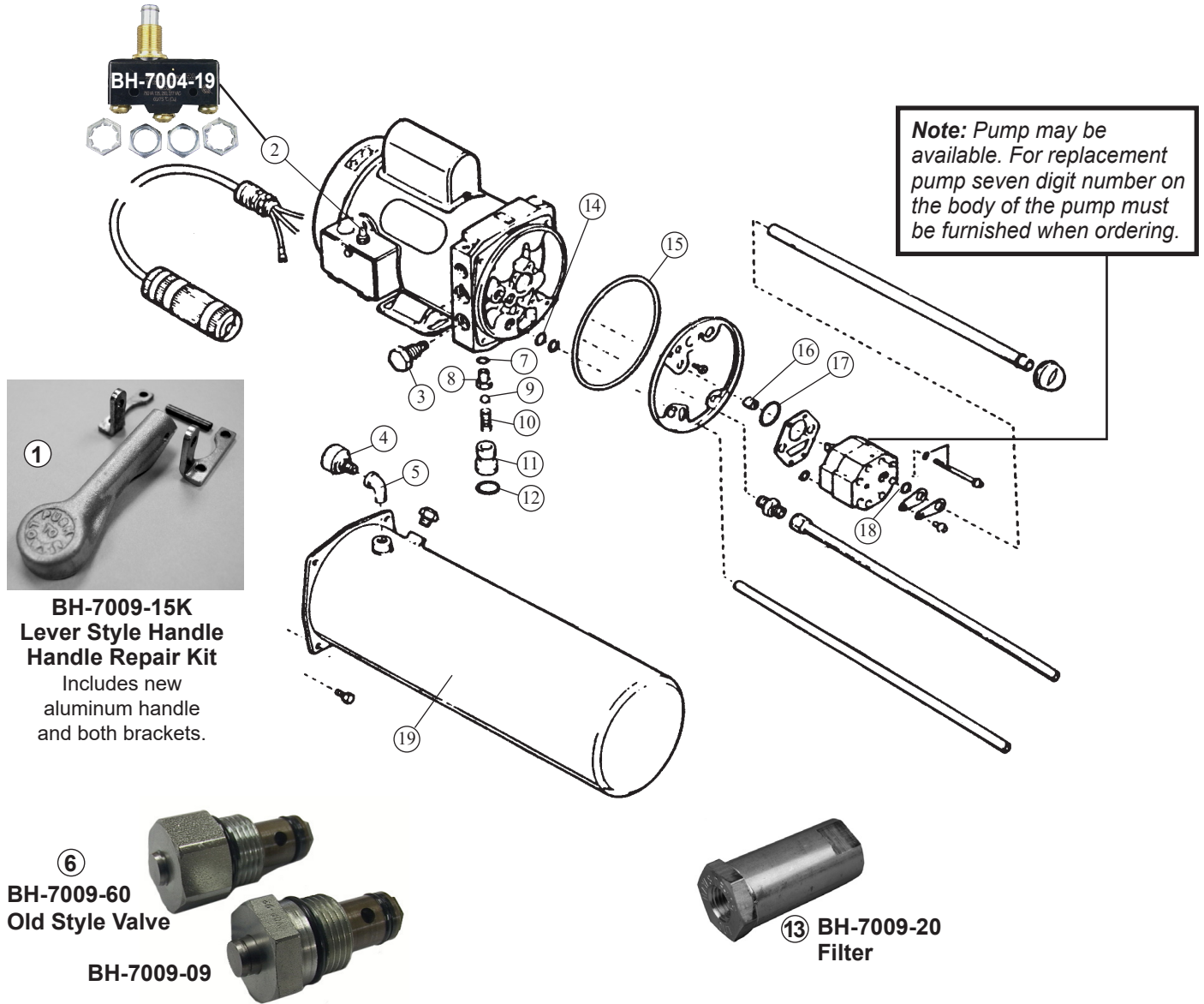
DIRECTFIT™



Item	SVI Part #	OEM #	Req	Description
1	BH-7004-19	2381089	1	Pushbutton Switch
	BH-7002-12	2380268	1	Pushbutton Boot
2	BH-7009-71	2180814	1	Lowering Valve Kit
3	BH-7009-76	2240125	1	Handle Bracket
4	BH-7009-74	2180810	1	Lowering Valve
5	BH-7009-75	2180907	1	Handle
6	BH-7009-77	2500037	1	Filler Breather Cap
7	BH-7009-69	2210866	1	Check Valve Kit
7	BH-7009-70	2180003	1	Relief Valve Kit
8	BH-7009-66	1300171	1	Pump Assembly
9	BH-7009-73	2430011	1	Suction Strainer
10	BH-7009-72	2281116	1	Reservoir Kit
--	BH-7004-12			Bolt
--	BH-7002-12			Rubber Pushbutton Boot

Parts for Barnes Power Units

DIRECTFIT™



Item	SVI Part #	OEM #	Req	Description
1	BH-7009-15K	2530027	1	Handle Kit
	BH-7009-15	2530027	1	Handle
	BH-7009-10	2440098	1	Left Bracket
	BH-7009-11	2440099	1	Right Bracket
	F-RP-187-1125		1	Roll Pin
--	F-NL-0010-32	2140061	1	Nut Stop
2	BH-7004-19	2381089	1	Push Button Switch
	BH-7002-12	2380268	1	Push Button Boot
3	BH-7009-05	2180060	1	Check Valve
4	BH-7009-06	2500006	1	Breather
5	BH-7009-07	2270022	1	45° Elbow

Item	SVI Part #	OEM #	Req	Description
6	BH-7009-09	2180062	1	Release Valve
	BH-7009-60		1	Release Valve (Old Style)
7-12	BH-7009-29	2300195	1	Relief Valve Kit Includes: Hex Cap, Gasket, Spring, Ball, Valve Seat, O-Ring
13	BH-7009-20			Filter
14	OB-70-110	2120038	6	O-Ring
15	BH-7009-32	2120058	1	O-Ring
16	BH-7009-35	2390005	1	Coupling
17	OB-70-014	2120026	1	O-Ring
18	BH-7009-41	2120040	1	O-Ring
19	BH-7009-55	2280762	1	Reservoir



Parts for MTE Power Units

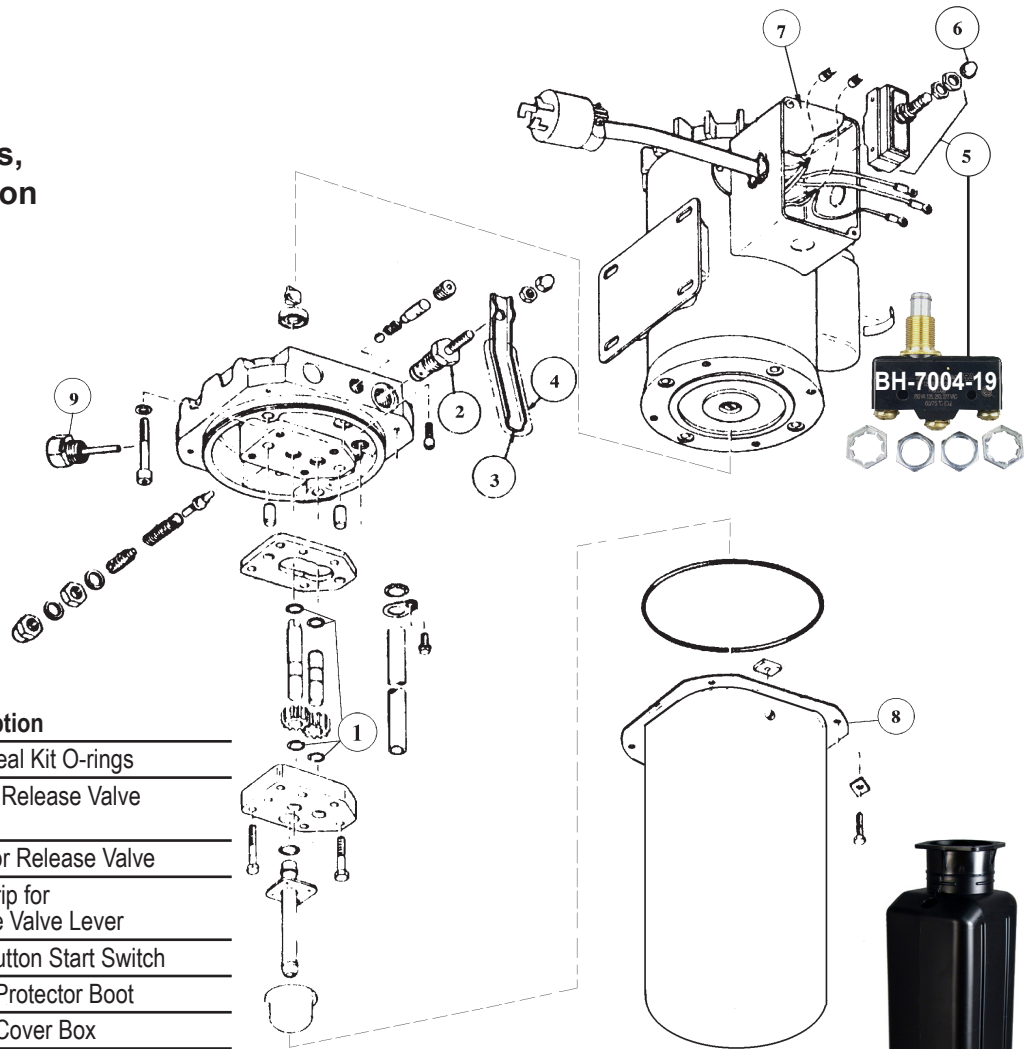
DIRECTFIT™

When ordering MTE parts, provide the "S-Number" on or by the pump.

Example:

S-202T####

S-203T####



Item	SVI Part #	Req	Description
1	BH-7000-20	1 set	Shaft Seal Kit O-rings
2	BH-7000-11	1	Manual Release Valve Several Other Choices Available
3	BH-7000-12	1	Lever for Release Valve
4	BH-7000-13	1	Vinyl Grip for Release Valve Lever
5	BH-7004-19	1	Push Button Start Switch
6	BH-7002-12	1	Switch Protector Boot
7	BH-7000-16	1	Switch Cover Box
8	Call to order		Reservoir - Model # Required
9	BH-7000-18	1	Filler/Breather Cap

Call SVI today to order replacement Reservoirs for MTE Power Units!



BH-7000-89 Valve

(38500237 / 991403)

All NEW MTE Power Units Including

4751 • 4749 • 4757

4752 • 4750 • 4758

4753 • 4761 • 4759

4754 • 4755 • 4818

4756



BH-7000-11 Valve

(38500097)

As Pictured



BH-7000-32 Valve

DISCONTINUED

(27002092)

S202T-4343

2/4 - Post Lifts

1/96 thru 11/96



BH-7000-31 Valve

(27002113)

(27002100)

S202T-4450

S202T-4620

S201T-4443

2/4 - Post Lifts

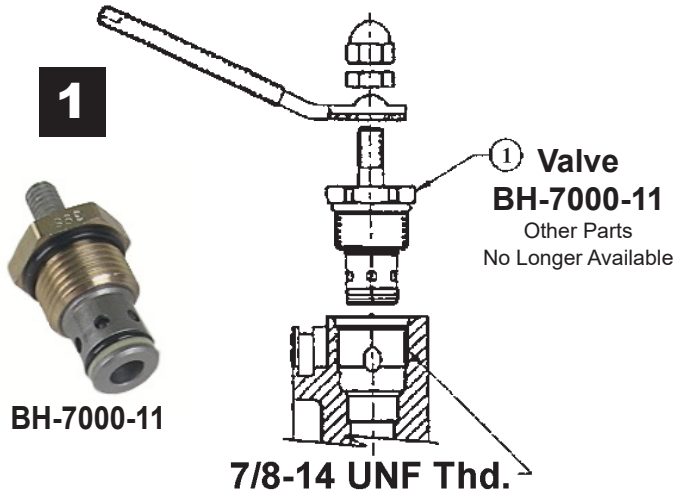
11/96 thru 2000

LR-60

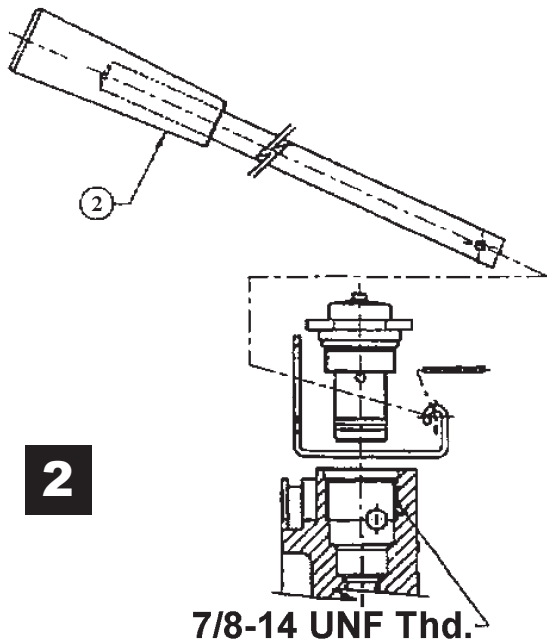
MTE Valves

2-Way, Normally Closed Manually Operated Lower Valves

7/8-14 UNF Threaded Valves (Valve Designs #1 & #2 CAN be interchanged)

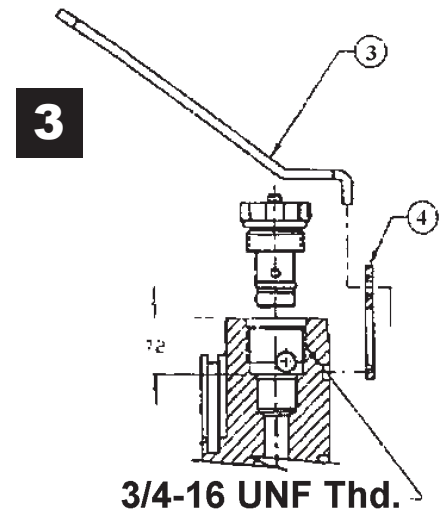


Item	SVI Part #	OEM #	Description
1	BH-7000-11	38500097	Valve Assembly

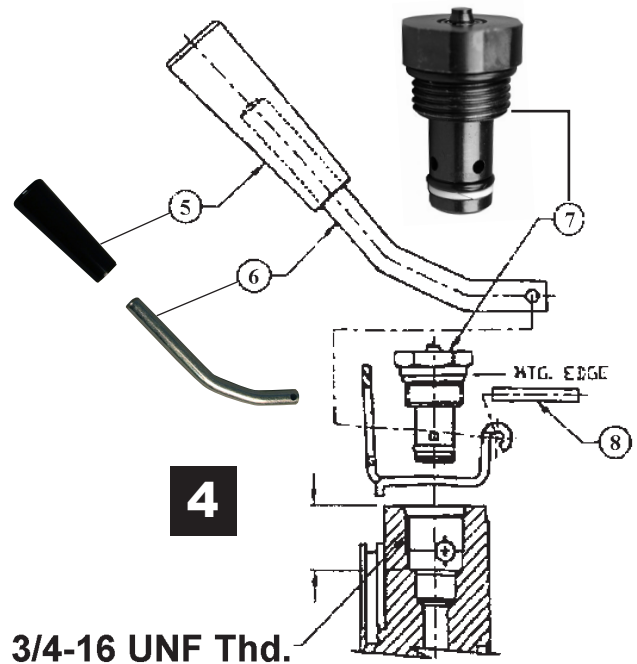


Item	SVI Part #	OEM #	Description
2	BH-7000-29	36701007	Handle Grip

3/4-16 UNF Threaded Valves (Valve Designs #3 & #4 CANNOT be interchanged)



Item	SVI Part #	OEM #	Description
3	BH-7000-34	36601017	Handle
4	BH-7000-35	35802075	Retainer



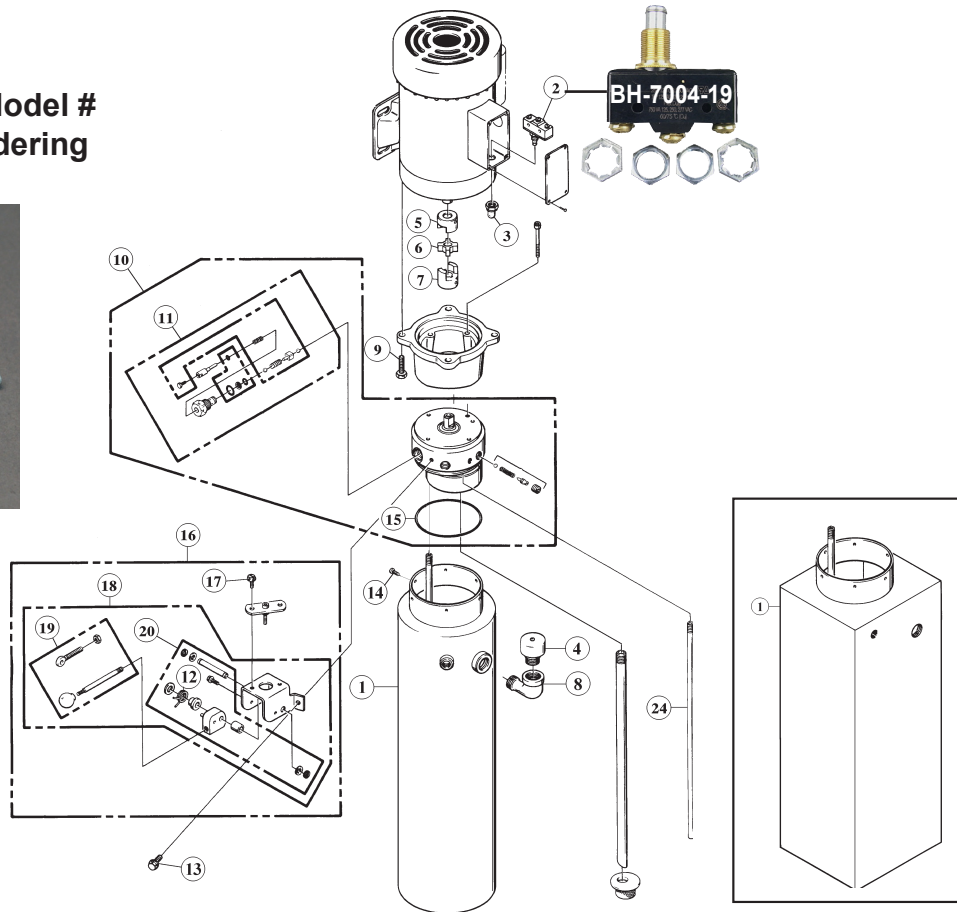
Item	SVI Part #	OEM #	Description
5	BH-7000-29	36701007	Handle Grip
6	BH-7000-28	33701163	Handle
7	BH-7000-31	27002113	Valve Assembly
8	BH-7000-27	33801019	Pin



Parts for Monarch Power Units

DIRECTFIT™

**Provide Model #
When Ordering**

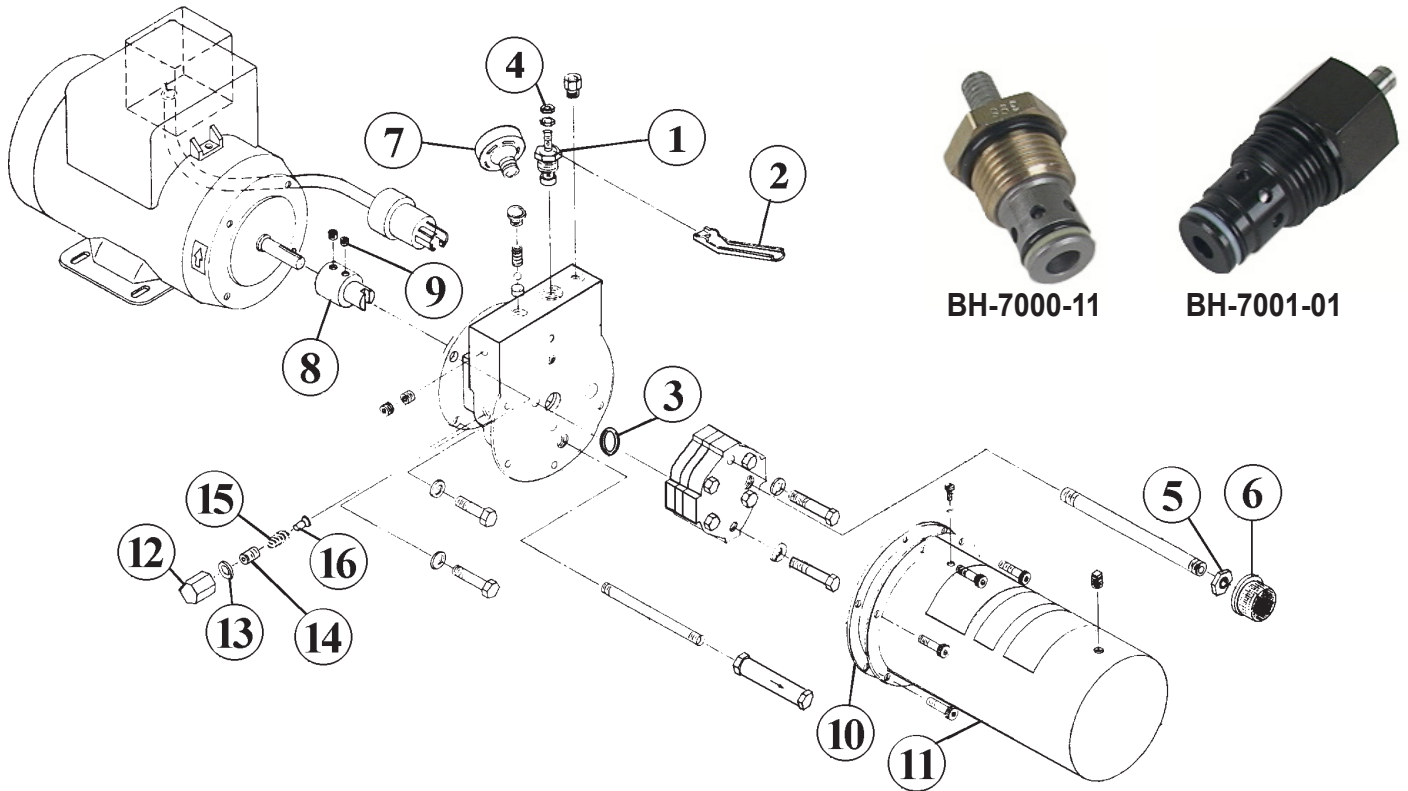


Item	SVI Part #	OEM #	Req	Description
1	BH-7002-38	6338, 06338	1	Reservoir 6" x 21" 2.6 Gal.
	BH-7002-46	06984	Opt.	Reservoir - Rectangular
2	BH-7004-19	03529	1	25 Amp Limit Switch
	BH-7004-19K			Limit Switch and Boot
3	BH-7002-12	03230	1	Rubber Pushbutton Boot
4	BH-7002-39	01143	1	Vent Plug
5	BH-7002-16	01139	1	Coupling 5/8" Bore
6	BH-7002-17	01603	1	Spider Coupling
7	BH-7002-18	01189	1	Coupling 5/8" Bore
8	BH-7002-40	01283	1	3/4" NPT Street Elbow
9	F-HC-0375-16-0750	07817	4	Hex Head Cap Screw
10	BH-7008-10	02766	1	Pump Assembly
11	BH-7002-22	03680	1	Lowering Valve Parts Kit
12	BH-7002-35	00071	1	Torsion Spring
13	F-HW-0312-18-0625	07889	4	Hex Washer Head Screw
14	F-MS-0010-24-0375	07703	6	Machine Screw
15	BH-7002-26	02352	1	Pump O-ring
16	BH-7002-27	03718	1	Bracket Assy. Complete
17	F-HW-0250-20-0500	07886	2	Hex Washer Head Screw
18	BH-7002-29	03717	1	Bracket Assy. Parts Kit
19	BH-7002-30	03647	1	Handle Assy. Parts Kit
20	BH-7002-34	03661	1	Switch Assy. Parts Kit

Item	SVI Part #	OEM #	Req	Description
Not Pictured:				
--	BH-7006-01-xx	08137		2hp, 1ph, 3450 RPM Motor
--	F-SC-0250-20-1000	07760		SHCS 1/4 - 20 X 1"
--	F-SC-0250-20-2000	07745		SHCS 1/4 - 20 X 2"
--	F-SC-0250-20-3000	07818		SHCS 1/4 - 20 X 3"
--	BH-7002-17	01603		Spider Coupling 33/64 Bore
--	BH-7002-18	01189		Coupling 5/8 Bore
--	BH-7002-19	01605		Housing, Pump/Motor Adapt
--	BH-7008-10	02766		Pump Assembly
--	BH-7002-23	03607		Plunger & Housing O-Rings
--	BH-7002-24	03606		Check Valve Parts Kit
--	BH-7002-25	02222		Relief Valve Parts Kit
--	BH-7002-30	03647		Handle Assembly Parts Kit
--	BH-7002-31	01327		Rod Control Eyebolt
--	BH-7002-32	01326		4" Handle Rod
--	BH-7002-33	07790		Hex Nut 5/16 - 18
--	BH-7002-36	07703		HWHS 5/16 - 18 X 5/8"
--	BH-7002-42	01106		1/4 NPT Plug
--	BH-7002-43	01134		Filter Screen (suction)
--	BH-7002-47	06878		Reservoir

Parts for Webster Power Units

DIRECTFIT™



Item	SVI Part #	OEM #	Req	Description
1	BH-7001-01	86957	1	Lowering Valve (E-Clip) (Smooth Stems, No Threads)
1	BH-7000-11	See MTE	1	Lowering Valve (MTE Style)
2	BH-7001-05	86282-3	1	Handle Lever Grip
3	OB-70-012	29771-012	1	O-Ring
4	BH-7001-04	29642-25	1	Retaining Ring
5	BH-7001-13	86373	1	Pal Nut
6	BH-7001-14	86110	1	Strainer
7	BH-7001-17	80083P	1	Filler/Breather
8	BH-7001-18	90883	1	Coupling

Item	SVI Part #	OEM #	Req	Description
9	BH-7001-19	29540-5	2	Set Screw
10	BH-7001-20	80086-13	1	Gasket
11	BH-7001-21	80055-21A	1	3-Gallon Reservoir Tank Must Provide Model # When Ordering
12	BH-7001-24	151-23413	1	Relief Valve Cap
13	BH-7001-25	171-86598	1	Relief Valve Gasket
14	BH-7001-26	151-25395	1	Relief Valve Adj. Screw
15	BH-7001-27	151-23575	1	Relief Valve Spring
16	BH-7001-28	151-25002	1	Relief Valve Poppet





Parts for Vibo Power Units

DIRECTFIT™



BH-7003-01



BH-7003-02



BH-7003-03

PARTS FOR BH-7003-01 POWER UNIT

SVI Part #	Description
BH-7003-10	Microswitch for BH-7003-01
BH-7003-11	Starting Capacitor for BH-7003-01
BH-7003-12	3 Gallon Plastic Reservoir for BH-7003-01
BH-7003-13	Reservoir Cap for BH-7003-01
BH-7003-14	Lowering Valve for BH-7003-01, 02 & 03
BH-7003-15	Working Capacitor for BH-7003-01
BH-7003-16	Handle for BH-7003-01



PARTS FOR BH-7003-02 POWER UNIT

SVI Part #	Description
BH-7003-14	Lowering Valve for BH-7003-01, 02 & 03
BH-7003-20	Microswitch for BH-7003-02
BH-7003-21	Running Capacitor for BH-7003-02
BH-7003-22	Starting Capacitor for BH-7003-02



BH-7003-14



BH-7003-20



BH-7003-21



BH-7003-22

PARTS FOR BH-7003-03 POWER UNIT

SVI Part #	Description
BH-7003-14	Lowering Valve for BH-7003-01, 02 & 03
BH-7003-17	1 to 1-1/2 Gallon Plastic Reservoir for BH-7003-03
BH-7003-18	Microswitch for BH-7003-03
BH-7003-19	Running Capacitor for BH-7003-03
BH-7003-23	Starting Capacitor for BH-7003-03



BH-7003-14



BH-7003-17



BH-7003-18



BH-7003-19

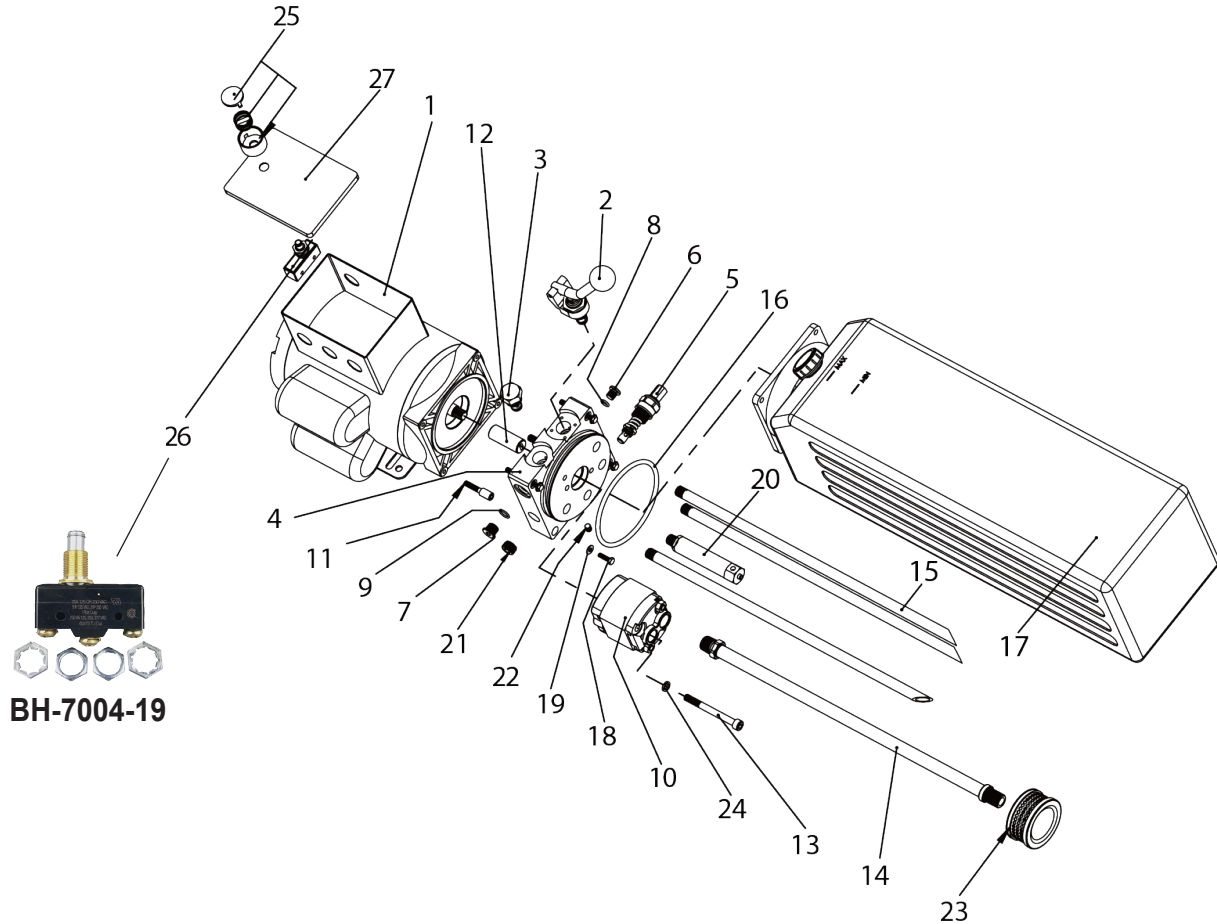


BH-7003-23



Parts for Rhino Power Units

For use on the Rhino AC2850 Power Unit (a/k/a SVI # BH-7008-82)



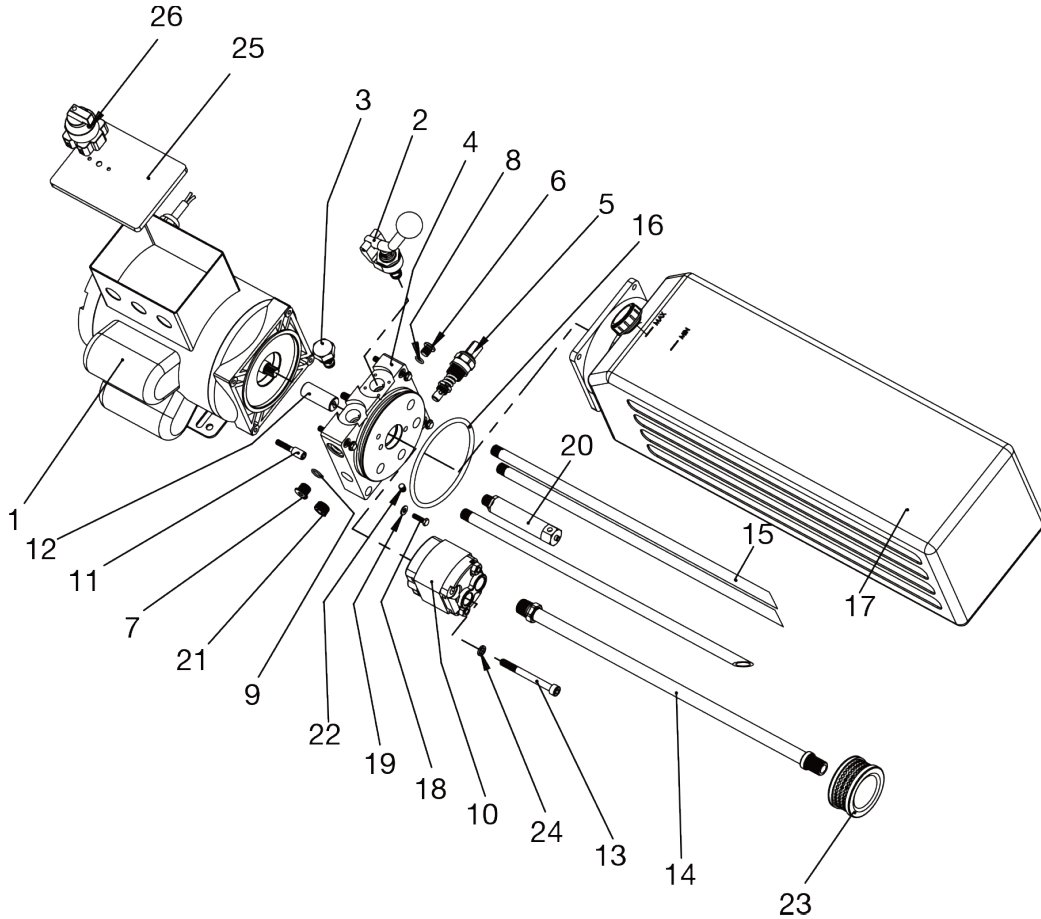
Item	SVI Part #	OEM #	Req	Description
1	BH-7008-51	WG-03-1G011	1	2 HP Motor, 208-230V 1PH, 3520RPM
2	BH-7008-52	WX2-01-4010	1	Manual Release Valve
3	BH-7008-53	WG-05-1001	1	Check Valve
4	BH-7008-54	BCP2-01-007	1	Pump Body/Center Manifold AC2850
5	BH-7008-55	WX2-01-2003	1	Pressure Relief Valve AC2850
6	BH-7008-56	WG-04-3013	1	Plug M10 x 1
7	BH-7008-57	WG-04-3019	2	Plug 9/16-18
8	BH-7008-58	WG-01-2073	1	O-Ring 8mm x 2.1mm
9	BH-7008-59	WG-01-2010	2	O-Ring 11.8mm x 1.8mm
10	BH-7008-60	CP1-01-007Q2	1	Gear Pump Assembly AC2850 2 GPM
11	BH-7008-61	SPZL000100	4	Manifold Screw
12	BH-7008-62	WX2-04-002	1	Motor Shaft Coupling
13	BH-7008-63	WG-01-1048	2	Pump Mounting Bolt AC2850
14	BH-7008-64	WX2-02-1010	1	Suction Tube AC2850

Item	SVI Part #	OEM #	Req	Description
15	BH-7008-65	WX2-02-2005	3	Return Tube AC2850
16	BH-7008-66	WG-01-2049	1	O-Ring 109mm x 5.3mm AC2850
17	BH-7008-67B	WG-06-2016	1	3.5 Gallon Reservoir AC2850 - Black
18	BH-7008-68	WG-01-1260	4	Hex Screw M5 x 18 AC2850
19	BH-7008-69	WG-01-1066	4	Flat Washer M5
20	BH-7008-70	WX2-01-6002	1	Buffer Valve AC2850
21	BH-7008-71	WG-04-3020	1	3/8" NPT Plug
22	BH-7008-72	WG-01-3227	1	Ball Plug
23	BH-7008-73	WG-07-002	1	Suction Tube Strainer
24	BH-7008-74	WG-01-1009	2	Lock Washer M8
25	BH-7008-75	WG-03-3336	1	Switch Cover
26	BH-7004-19	WG-03-3335	1	Motor Switch, Push To Raise
27	BH-7008-77	WG-03-3337	1	Switch Box Cover Plate
28	BH-7008-84	WG-06-1054	opt.	4-Post Extra Capacity Reservoir for -82, 83



Parts for Rhino Power Units

For use on the Rhino AC2850HS Power Unit
(a/k/a SVI # BH-7008-83)



Item	SVI Part #	OEM #	Req	Description
1	BH-7008-51B	WG-03-1G012	1	5 HP Motor, 208-230V 1PH, 3 GPM
2	BH-7008-52	WX2-01-4010	1	Manual Release Valve
3	BH-7008-53	WG-05-1001	1	Check Valve
4	BH-7008-54	BCP2-01-007	1	Pump Body/Center Manifold AC2850
5	BH-7008-55	WX2-01-2003	1	Pressure Relief Valve AC2850
6	BH-7008-56	WG-04-3013	1	Plug M10 x 1
7	BH-7008-57	WG-04-3019	2	Plug 9/16-18
8	BH-7008-58	WG-01-2073	1	O-Ring 8mm x 2.1mm
9	BH-7008-59	WG-01-2010	2	O-Ring 11.8mm x 1.8mm
10	BH-7008-60B	CP1-01-011F	1	Gear Pump Assembly AC2850HS 3 GPM
11	BH-7008-61	SPZL000100	4	Manifold Screw
12	BH-7008-62	WX2-04-002	1	Motor Shaft Coupling
13	BH-7008-63	WG-01-1048	2	Pump Mounting Bolt AC2850
14	BH-7008-64	WX2-02-1010	1	Suction Tube AC2850

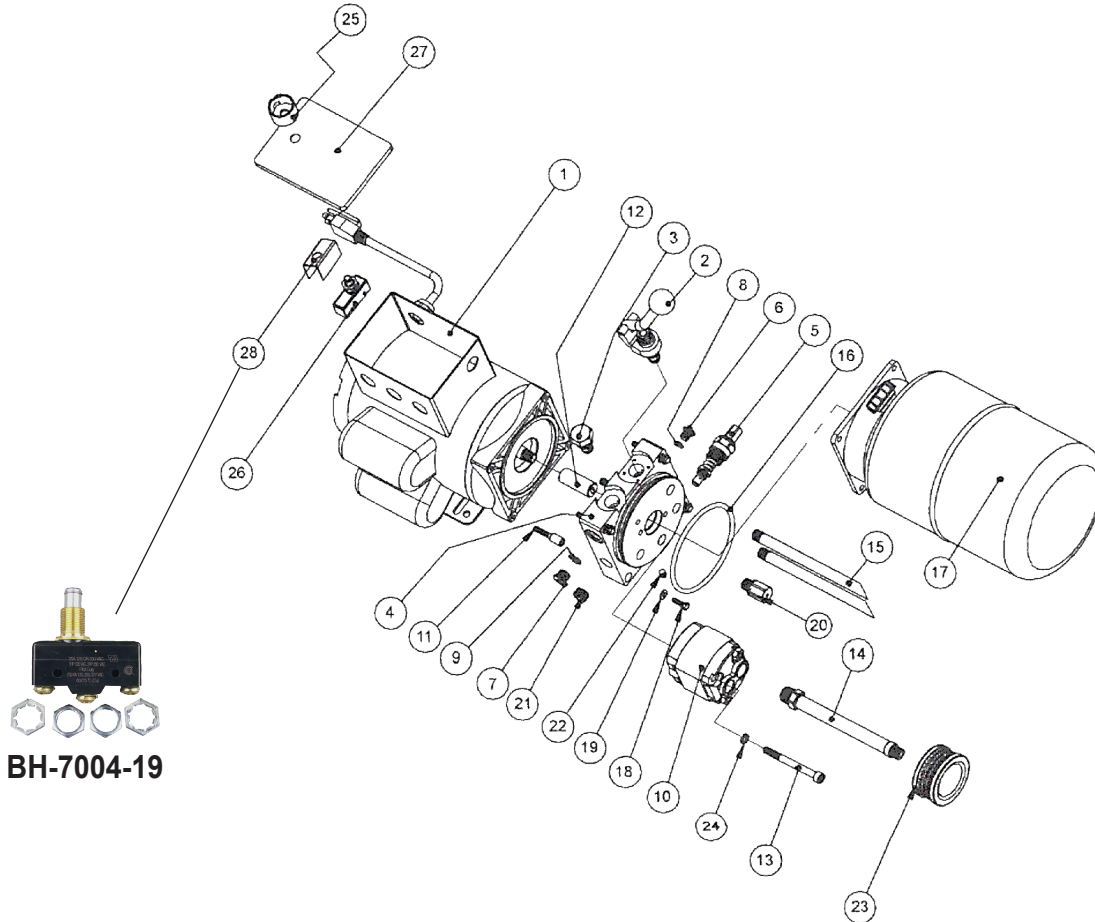
Item	SVI Part #	OEM #	Req	Description
15	BH-7008-65	WX2-02-2005	3	Return Tube AC2850
16	BH-7008-66	WG-01-2049	1	O-Ring 109mm x 5.3mm AC2850
17	BH-7008-67W	WG-06-2017	1	3.5 Gallon Reservoir AC2850 - White
18	BH-7008-68	WG-01-1260	4	Hex Screw M5 x 18 AC2850
19	BH-7008-69	WG-01-1066	4	Flat Washer M5
20	BH-7008-70	WX2-01-6002	1	Buffer Valve AC2850
21	BH-7008-71	WG-04-3020	1	3/8" NPT Plug
22	BH-7008-72	WG-01-3227	1	Ball Plug
23	BH-7008-73	WG-07-002	1	Suction Tube Strainer
24	BH-7008-74	WG-01-1009	2	Lock Washer M8
25	BH-7008-75	WG-03-3336	1	Switch Cover
26	BH-7008-76B	WG-03-3347	1	32 Amp Motor Switch for 5HP Motor
27	BH-7008-84	WG-06-1054	opt.	4-Post Extra Capacity Reservoir for -82, 83

Page 34



Parts for Rhino Power Units

For use on the Rhino AC2500LR Power Unit (a/k/a SVI # BH-7008-86)



BH-7004-19

Item	SVI Part #	OEM #	Req	Description
1	BH-7008-51A	XP-01-0026	1	1.5 HP Motor, 115/208-230V 1PH, 3520RPM
2	BH-7008-52	WX2-01-4010	1	Manual Release Valve
3	BH-7008-53	WG-05-1001	1	Check Valve
4	BH-7008-54A	BCP2-01-018X	1	Pump Body/Center Manifold AC2500
5	BH-7008-55A	WX2-01-2009	1	Pressure Relief Valve AC2500LR110
6	BH-7008-56	WG-04-3013	1	Plug M10 x 1
7	BH-7008-57	WG-04-3019	2	Plug 9/16-18
8	BH-7008-58	WG-01-2073	1	O-Ring 8mm x 2.1mm
9	BH-7008-59	WG-01-2010	2	O-Ring 11.8mm x 1.8mm
10	BH-7008-60A	CP1-01-020Q2	1	Gear Pump Assembly AC2500LR110
11	BH-7008-61	SPZL000100	4	Manifold Screw
12	BH-7008-62	WX2-04-002	1	Motor Shaft Coupling
13	BH-7008-63A	ZP1-WG-01-1292	2	Pump Mounting Bolt AC2500LR110
14	BH-7008-64A	ZP2-WX2-02-10051	1	Suction Pipe AC2500LR110

Item	SVI Part #	OEM #	Req	Description
15	BH-7008-65A	ZP2-WX2-02-2003	2	Return Tube AC2500LR110
16	BH-7008-66A	ZP2-WG-01-2170	1	O-Ring 120mm x 5.7mm AC2500LR110
17	BH-7008-67A	ZP2-WG-06-2025	1	1.5 Gallon Reservoir AC2500LR110
18	BH-7008-68A	WG-01-1451	4	Hex Screw M5 x 18 AC2500LR110
19	BH-7008-69	WG-01-1066	4	Flat Washer M5
20	BH-7008-70A	WX2-01-6001	1	Buffer Valve AC2500LR110
21	BH-7008-71	WG-04-3020	1	3/8" NPT Plug
22	BH-7008-72	WG-01-3227	1	Ball Plug
23	BH-7008-73	WG-07-002	1	Suction Tube Strainer
24	BH-7008-74	WG-01-1009	2	Lock Washer M8
25	BH-7008-75	WG-03-3336	1	Switch Cover
26	BH-7008-76	WG-03-3335	1	Motor Switch, Push To Raise
27	BH-7008-77	WG-03-3337	1	Switch Box Cover Plate
28	BH-7004-19	WX2-01-9074	1	Switch Protection Support



DIRECT FIT™ BRAND

SVI International, Inc.

Catalogs and Information Online: www.sviinternational.com

AUTO LIFT REPAIR PARTS FOR ALL MAKES & MODELS

~NO MATTER THE AGE OF THE LIFT!

- Arm Restraint Kits & Parts
- Cables—Lifting and Equalizing
- Chain
- doorjammerPRO - Door Protection Pad
- Height Extensions and Rubber Pads
- Installation Products & Tools
- Power Units and Parts
- Pulleys and Chain Rollers
- Seal Kits for In-Ground & Surface Mount
- Safety Legs / Non-Rotators
- Replacement Lift Kits
- Power Post Lifting Systems
- Tanks for In-Ground Lifts
- Turf Attachments for 2-Post Lifts

SURFACE MOUNT LIFT PARTS FOR:

Acanus	Gemini	Quality
Ammco®*	Gilbarco	Ranger
Alamo /	Globe	Ravaglioli
ASSSA	Grand	Rotary Lifts
ALM	Hofmann	Silent Tech
AMI	Hydralift	Slift
Ashawa	Ime Istobal	Somers Souriau
Ben Pearson	Kismet	Stenhoj
BendPak	Kimm	Stertil Koni
Benwil	Koni	Sun
Bishamon	Launch	Tecalemit
Boston	Laycock	Titan
Bradbury	Lincoln	Weaver
Cascos	Maha	Werther
Consul	Manitowoc Lifts	Western
Challenger	Mohawk	Westinghouse
Force	Nussbaum	Wheeltronic
Ford Smith	OMA	Worth
Forward	OMCN	Zippo
Fuchs/Zippo	PMW	

IN-GROUND LIFT PARTS FOR:

Benwil	Gilbarco	PKS Lifts
Challenger	Globe	Rotary
Cochin	HDL/ISS Innovative	US Hoist
Curtis	Joyce	Weaver
Ford Smith	Manitowoc Lifts	Western

AIR COMPRESSOR PARTS

- Air Receiver Tanks • Compressor Mufflers
- Automatic Tank Drain Valve for Champion Compressors
- Filters—Many OEM Ref Available!
- Filters, Regulators, Lubricators
- Intake Filter Products
- Milton Air System Products
- Re-Coil Hose • Valves
- Vibration Dampening Pads & much more!

BRAKE LATHES REPAIR PARTS

- Brake Lathe Repair Parts and Accessories for **All Makes**

EXHAUST REMOVAL SYSTEMS & PRODUCTS

FLUID DELIVERY

- Lenz Fittings
- Steel Hydraulic Line Tubing and Fittings
- Strut and Hangers

HOSE REELS BY REELCRAFT®

HYDRAULIC CYLINDERS—

- Custom Single-Acting Large Bore Cylinders
- Also see “Lifting Equipment”

LIFTING EQUIPMENT

- New In-Ground Lifts—Car, Truck & Bus
- Small Equipment Shop Maintenance (SESM) Lifts for lifting Landscape Equip. ATVs / UTVs, Motorcycles, Lawn Mowers, Golf Carts and More!
- Custom Lifting Equipment incl. Production Line Lifts, Rail Car Lifts and More
- Custom Hydraulic Cylinders for Various Applications
- Turf Attachments for 2-Post Lifts
- In-Ground Lift Sections and Kits
- And more!

EASY TO ORDER:
800-321-8173
815-748-0200
 Fax: 800-899-1784 • 815-748-0210
E-Mail: parts@sviintl.com
www.sviinternational.com

LUBRICATION & PAINT / FOAM SPRAY REPAIR PARTS & KITS FOR:

- Alemite • ARO • Balcrank • Graco • Lincoln

PETROLEUM EQUIPMENT & REPAIR PARTS FOR:

- Gas Pump & Meter Kits and Parts for Gasboy • Tokheim • Fill-Rite
- Including Parts for Older Pumps: Wayne • Bennett • Gilbarco • Bowser A.O. Smith (Geosource) • Southwest

SEAL KITS

SHOP EQUIPMENT

- Hein-Werner Products • Omega Products
- Porto-Power • Pro-Lift

TIRE EQUIPMENT REPAIR PARTS

- Tire Changer and Wheel Balancer Parts for **All Makes**

Accu-Turn	FMC	Nussbaum
All Tool	Giuliano	Ranger
Ammco®*	Hofmann	Sicam
BaseLine®*	Hunter	Sice
Bosch	John Bean /	Snap-On
Cemb	(JBC)	Teco
Coats®*	Kwik-Way	Tuxedo
Corghi	Launch	

VALVES

- Air Compressor Valves of All Types
- Air and Hoist Control Valves
- Ball Valves • Check Valves
- Kingston Valves • Pressure Relief Valves
- Relief Valves • Safety Valves
- Solenoid Valves
- Tire Changer Valves • And More!

CUSTOM PRODUCTS

And let us know if you want something you use in your shop to be added to our product line!

DIRECTFIT™ In addition to SVI's DIRECT FIT™ BRAND, we are proud to be a one-stop shop for many other great products including:



2 Ready-Ship Warehouses for Faster Shipping! | **CHICAGO • LOS ANGELES**

Main Office: 155 Harvestore Drive • DeKalb, IL 60115

All names, numbers, symbols and descriptions are used for reference purposes only. It is not implied that any part listed is the product of these manufacturers.

SVI does not represent and is not associated in any way with any other companies. Entire contents copyright © 2023, SVI International, Inc. Prices subject to change without notice.

*AMMCO, BASELINE, COATS and DUCKHEAD are registered trademarks of Hennessy Industries, Inc. SVI International, Inc. is not associated in any way with Hennessy Industries, Inc.

**TERMS AND CONDITIONS OF THE
SALES ORDER
FOR SVI INTERNATIONAL, INC.**

1. **GENERAL.** The terms and conditions of sales order outlined herein shall apply to the sale by SVI INTERNATIONAL, INC. (hereinafter referred to as "Company") of the items described on the facing page (hereinafter referred to as "Merchandise") to Purchaser.
2. **DELIVERY.** Delivery shall be deemed to be complete when the Merchandise has been shipped F.O.B. Company's plants in DeKalb, Illinois, and Montclair, California; ("Company's plants"). Shipments are subject to delays from causes or contingencies beyond the reasonable control of the Company. When otherwise not specified, shipments will be made in standard containers via carrier which, in the judgment of the Company, will result in the most practical method. Title and right of possession will pass to the Purchaser upon receipt by the carrier at the shipping point. If a customer of the Company should specify a specific carrier's method of shipment (i.e., UPS Next Day Air) and that carrier does not perform to the customer's expectations, freight credit to a customer's account will not be issued unless the Company can first obtain a credit.
3. **RISK OF LOSS.** Identification of the Merchandise under Uniform Commercial Code (hereinafter referred to as "UCC") Section 2-501 shall take place at the moment of shipment F.O.B. Company's plants. Risk of loss shall pass to the Purchaser when the Merchandise is shipped from the Company's plants.
4. **TITLE.** Title to the merchandise shall transfer to the Purchaser when the Merchandise is shipped from the Company's plants.
5. **WARRANTIES.** The Company guarantees its products to be free from defects in workmanship and raw materials for a period of one year from date of purchase. THIS WARRANTY IS EXPRESSLY IN LIEU OF ANY AND ALL WARRANTIES EXPRESS OR IMPLIED. COMPANY DOES NOT WARRANT THE MERCHANDISE IS MERCHANTABLE OR FIT FOR ANY PARTICULAR PURPOSE. Company's liability for breach of the terms of this Agreement, including any warranty, is limited to either refund of the invoice price of the Merchandise or at Company's option, replacement of the Merchandise free of charge, including transportation charges but not including the cost of labor. Purchaser has not relied on any statement or upon the conduct of Company with respect to the prospective use of the merchandise. Company shall not be liable for, and Purchaser waives any and all claims for any loss or damage, directly or indirectly, arising from the use of the Merchandise and for punitive, incidental or consequential damages, including, but not limited to, damages to property, for loss of use, loss of time, loss of profit or loss of income. The Company does not authorize the sale of our products under any other warranty, expressed or implied. **Please note:** Electrical components and cylinder or shaft seals are not covered under warranty.
6. **SETOFF.** All claims for money due or to become due from the Company shall be subject to deduction by the Company for any setoff or counterclaim arising out of this or any other claims of the Company or its affiliated companies, whether such setoff or counterclaim arose before or after any assignment by Purchaser.
7. **INDEMNIFICATION.** Purchaser agrees to indemnify the Company and hold it harmless from and against all claims, liability, loss, damage, or expense, including reasonable counsel fees, arising from or by reason of any modifications or alterations made by Purchaser. If a customer of the Company modifies or alters any part, in any manner whatsoever, or uses any part in departure from recommended performance specifications, said customer agrees to indemnify and hold the Company harmless from and against all liability and expenses based on damage to property or injury to or death of any person arising out of or attributable to such modified or altered part. Further, the Company will not accept any such modified or altered part for credit to a customer's account.
8. **FREIGHT POLICY.** Freight charges are prepaid and added to invoice to collect FOB shipping point. Note: All customers are responsible for all carrier shipping costs, fees, surcharges, etc. including order refusal and return fees.
9. **RETURN POLICY.** To return a part for credit or inspection, Purchaser must first contact our Main Office in Illinois, to obtain a Return Merchandise Form. Once Purchaser has obtained this form, the parts can be returned freight prepaid only. The Return form must be included with the shipment. Parts returned to the Company without the approved form will be returned freight collect to the shipper or refused. Returns must be initiated within 30 days of the invoice date. The Return Forms are valid for 30 days, from the date of issue. All Returns are subject to restocking charges. Return parts brought into our remote warehouses, will not be accepted by our personnel, without a Return Merchandise Form from the Main Office. Parts which have been used in any way or manner, including any installation or incorporation into a lift, hoist, or other equipment, shall NOT be eligible for return whether or not a Return form has been assigned. **Please note:** Electrical parts or components are not returnable for credit. This includes all switches, pushbuttons, relays, electric motors, capacitors, fuses, solenoids, power units with wiring issues or any other electrical items. Custom, built to order, special order, and non-stocked genuine parts are non-returnable.
10. **RESTOCK CHARGE.** Returns are subject to a restocking charge. Refusals are subject to the same restocking charge plus the cost of outbound and return freight charges and/or fees incurred by the Company due to shipment refusal.
11. **PRICES AND PAYMENTS.** All prices are subject to change without notice. All prices are F.O.B. shipping point. The Company standard terms are net 30 days, C.O.D. company check, C.O.D. cash, VISA, MasterCard, Discover or American Express. However, if in the judgment of the Company, the financial condition of the Purchaser at any time does not justify shipment according to standard terms of payment, the Company may require full or partial payment in advance.
12. **INTERPRETATION.** This sales order is intended by the parties as a complete and exclusive statement of the terms of their agreement. It supersedes all prior agreements, written or oral. No course of prior dealings between the parties and no usage of the trade shall be relevant to supplement or explain any terms used in this sales order. Acceptance or acquiescence in a course of performance rendered under this purchase order shall not be relevant to determine the meaning of this sales order even though the accepting or acquiescing party has knowledge of the nature of the performance and opportunity for objection. Whenever a term defined by the UCC is used in this sales order the definition contained in the UCC shall control.
13. **MODIFICATION.** This sales order can be modified or rescinded only by a writing signed by both parties.
14. **WAIVER.** No claim or right arising out of a breach of this sales order can be discharged in whole or in part by a waiver or renunciation of the claim or right unless such waiver or renunciation is supported by consideration and is in writing signed by the aggrieved party.
15. **ASSIGNMENT.** No right or interest in this sales order shall be assigned by either party without the written consent of the other and no delegation of any obligation owed, or of the performance of any obligation by either the Company or Purchaser shall be made without the written consent of the other party. Any attempted assignment or delegation not made in conformity with this paragraph shall be wholly void and totally ineffective for all purposes.
16. **TIME TO PERFORM AND BRING ACTION.** Time is of the essence of this sales order. Any action for breach of this sales order shall be commenced within two (2) years after the cause of action has accrued. Any party who loses any litigation shall reimburse the other party for costs including reasonable attorney's fees. The exclusive jurisdiction for any legal action shall be the Circuit Court of DeKalb County, Illinois.
17. **APPLICABLE LAW.** This sales order shall be governed by the UCC of Illinois as effective and in force on the date of this sales order.



SVI IS YOUR ANSWER!



ASIDE FROM A COMPLETE LINE OF POWER UNITS AND POWER UNIT REPAIR PARTS, SVI OFFERS A HUGE SELECTION OF PRODUCTS FOR THE SHOP.



- Air Compressor Parts and Filters
- Auto Lift Parts for Any Brand
- Auto Lift Cables and Chain
- Auto Lift Sheaves / Pulleys and Chain Rollers
- Brake Lathe Repair Parts for All Makes
- Exhaust System Products
- Fluid Delivery Repair Parts
- Hose Reels and Hose Stops
- In-Ground Auto Lifts
- Lubrication Equipment Repair Parts
- Petroleum / Service Station Pump and Tank Products
- Repair Parts for Gasboy Consumer Series
- SESM Lifts for ATV/UTV, Golf Cart and More!
- Tire Changer Repair Parts
- Transfer Pumps
- Turf Attachments for 2-Post Lifts
- Vehicle Lifting Systems
- Wheel Balancer Accessories



SVI International, Inc.

155 Harvestore Drive • DeKalb, IL 60115

800-321-8173 • 815-748-0200

Fax: 800-899-1784 • 815-748-0210

Entire contents copyright © 2023, SVI International, Inc.

Information and Catalogs Online:
www.sviinternational.com