



**Airless Spray Technology**

**Owner's Manual**

For professional use only

**Do not use this equipment before reading this manual!**

# ***SideStriper***

## ***Airless Accessory***



**Model Number 759-150**

(Spray gun and hose not included)

**NOTE:** This manual contains important warnings and instructions. Please read and retain for reference.

# Table of Contents

<b>Safety Precautions</b> .....	<b>2</b>
Français .....	8
Español .....	9
<b>General Description</b> .....	<b>3</b>
<b>Assembly</b> .....	<b>3</b>
<b>Operation</b> .....	<b>4</b>
Setup .....	4
Painting .....	4
Configuring the SideStriper .....	4
<b>Cleanup</b> .....	<b>5</b>
<b>Striping a Parking Lot</b> .....	<b>6</b>
Basic Layout Rules .....	6
ADA Requirements for Handicapped Spaces .....	6
Layout Procedure .....	6
<b>Parts Listing</b> .....	<b>10</b>
Main Assembly.....	10
Gun Mount Assembly.....	11
Labels.....	11
<b>Warranty</b> .....	<b>12</b>

## Safety Precautions

This manual contains information that must be read and understood before using the equipment. When you come to an area that has one of the following symbols, pay particular attention and make certain to heed the safeguard.



This symbol indicates a potential hazard that may cause serious injury or loss of life. Important safety information will follow.



This symbol indicates a potential hazard to you or to the equipment. Important information that tells how to prevent damage to the equipment or how to avoid causes of minor injuries will follow.

**NOTE:** Notes give important information which should be given special attention.



**HAZARD: Injection injury - A high pressure fluid stream produced by this equipment can pierce the skin and underlying tissues, leading to serious injury and possible amputation. See a physician immediately.**

**DO NOT TREAT AN INJECTION INJURY AS A SIMPLE CUT! Injection can lead to amputation. See a physician immediately.**

### PREVENTION:

- NEVER aim the gun at any part of the body.
- NEVER allow any part of the body to touch the fluid stream. DO NOT allow body to touch a leak in the fluid hose.
- NEVER put hand in front of the gun. Gloves will not provide protection against an injection injury.
- ALWAYS lock gun trigger, shut pump off, and release all pressure before servicing, cleaning tip or guard, changing tip, or leaving unattended. Pressure will not be released by turning off the motor. The PRIME/SPRAY valve handle must be turned to PRIME to relieve the pressure. Refer to the PRESSURE RELIEF PRESSURE described in the pump manual.
- ALWAYS keep tip guard in place while spraying. The tip guard provides some protection but is mainly a warning device.
- ALWAYS remove the spray tip before flushing or cleaning the system.
- Paint hose can develop leaks from wear, kinking and abuse. A leak can inject material into the skin. Inspect the hose before each use.

- NEVER use a spray gun without a working trigger lock and trigger guard in place.
- All accessories must be rated at or above the maximum operating range of the sprayer. This includes spray tips, guns, extensions, and hose.

### NOTE TO PHYSICIAN:

**Injection into the skin is a traumatic injury. It is important to treat the injury as soon as possible. DO NOT delay treatment to research toxicity. Toxicity is a concern with some coatings injected directly into the blood stream. Consultation with a plastic surgeon or reconstructive hand surgeon may be advisable.**

**HAZARD: EXPLOSION AND FIRE - Solvent and paint fumes can explode or ignite. Severe injury and/or property damage can occur.**

### PREVENTION:

- Provide extensive exhaust and fresh air introduction to keep the air within the spray area free from accumulation of flammable vapors.
- Avoid all ignition sources such as static electricity sparks, electrical appliances, flames, pilot lights, hot objects, and sparks from connecting and disconnecting power cords or working light switches.
- Do not smoke in spray area.
- Fire extinguisher must be present and in good working order.
- Place sprayer at least 20 feet (6.1 m) from the spray object in a well ventilated area (add more hose if necessary). Flammable vapors are often heavier than air. Floor area must be extremely well ventilated. The pump contains arcing parts that emit sparks and can ignite vapors.
- The equipment and objects in and around the spray area must be properly grounded to prevent static sparks.
- Use only conductive or grounded high-pressure fluid hose. Gun must be grounded through hose connections.
- Power cord must be connected to a grounded circuit.
- Always flush unit into separate metal container, at low pump pressure, with spray tip removed. Hold gun firmly against side of container to ground container and prevent static sparks.
- Follow material and solvent manufacturer's warnings and instructions.
- Use extreme caution when using materials with a flashpoint below 70° F (21° C). Flashpoint is the temperature at which a fluid can produce enough vapors to ignite.
- Plastic can cause static sparks. Never hang plastic to enclose spray area. Do not use plastic drop cloths when spraying flammable materials.
- Use lowest possible pressure to flush equipment.

### GAS ENGINE (WHERE APPLICABLE)

Always place sprayer outside of structure in fresh air. Keep all solvents away from engine exhaust. Never fill fuel tank with a running or hot engine. Hot surface can ignite spilled fuel. Always attach ground wire from pump to a grounded object. Refer to engine owner's manual for complete safety information.

**HAZARD: EXPLOSION HAZARD DUE TO INCOMPATIBLE MATERIALS - will cause severe injury or property damage.**

### PREVENTION:

- Do not use materials containing bleach or chlorine.
- Do not use halogenated hydrocarbon solvents such as bleach, mildewcide, methylene chloride and 1,1,1 - trichloroethane. They are not compatible with aluminum.
- Contact your coating supplier about the compatibility of material with aluminum.

**HAZARD: HAZARDOUS VAPORS -** Paints, solvents, insecticides, and other materials can be harmful if inhaled or come in contact with body. Vapors can cause severe nausea, fainting, or poisoning.

**PREVENTION:**

- Use a respirator or mask if vapors can be inhaled. Read all instructions supplied with the mask to be sure it will provide the necessary protection.
- Wear protective eyewear.
- Wear protective clothing as required by coating manufacturer.

**HAZARD: GENERAL -** Can cause severe injury or property damage.

**PREVENTION:**

- Read all instructions and safety precautions before operating equipment.
- Follow all appropriate local, state, and national codes governing ventilation, fire prevention, and operation.
- The United States Government Safety Standards have been adopted under the Occupational Safety and Health Act (OSHA). These standards, particularly part 1910 of the General Standards and part 1926 of the Construction Standards, should be consulted.
- Use only manufacturer authorized parts. User assumes all risks and liabilities when using parts that do not meet the minimum specifications and safety devices of the pump manufacturer.
- Before each use, check all hoses for cuts, leaks, abrasion or bulging of cover. Check for damage or movement of couplings. Immediately replace hose if any of those conditions exist. Never repair a paint hose. Replace with a grounded high-pressure hose.
- All hoses, swivels, guns, and accessories must be pressure rated at or above the maximum operating range of the sprayer.
- Do not spray outdoors on windy days.
- Wear clothing to keep paint off skin and hair.
- Always unplug cord from outlet before working on equipment (electric units only).

**General Description**

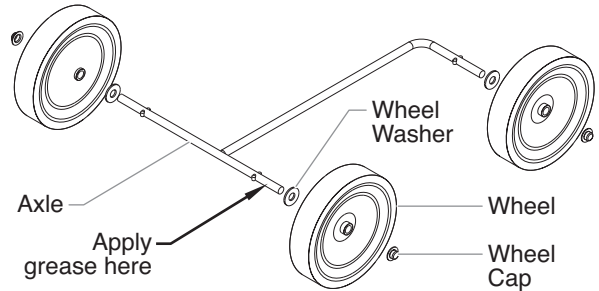
The side striper is a portable line striping tool used for painting parking lot lines, athletic field lines, curbs, etc... The side striper can be used with most airless sprayers. Read and follow this instruction manual carefully for proper setup, operating instructions, and safety information.



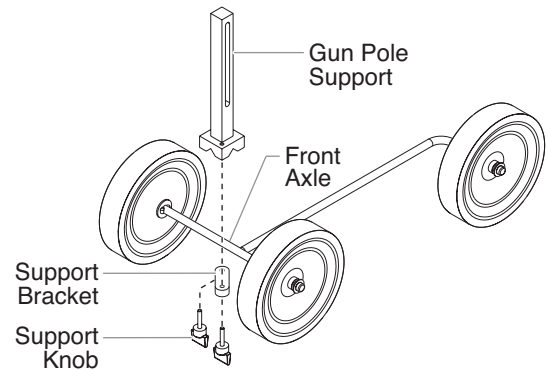
**Assembly**

The side striper requires some assembly before its first use. A hammer is needed for the first assembly. Otherwise, the side striper is designed to be assembled and disassembled easily using the hand-tighten knobs.

1. Unpack the contents of the box.
2. Locate the axle, three wheels, three wheel washers, three wheel caps, and grease packet.
3. At each wheel location on the axle:
  - a. Squeeze a small amount of grease on the axle.
  - b. Slide a wheel washer onto the axle.
  - c. Slide a wheel onto the axle. Make sure the side of the wheel with the extended hub goes on the axle first.
  - d. Using a hammer, pound a wheel cap over the end of the axle to secure the wheel.



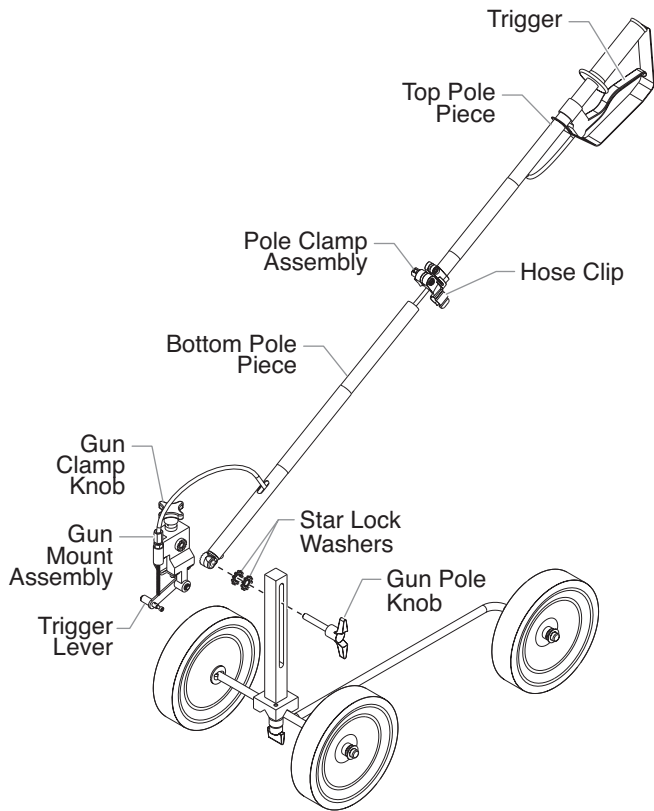
4. Locate the gun pole support, support bracket, and two support knobs.
5. Thread one of the support knobs through the support bracket and into one of the holes in the bottom of the gun pole support. Do not tighten the support knob. Leave enough space between the support bracket and the gun pole support for the axle to pass through.
6. Set the gun pole support on the front axle. Make sure the gun pole support is resting on the axle with the support bracket underneath the axle.
7. Align the support bracket with the remaining hole on the gun pole support. Thread the remaining support knob through the support bracket and into the hole in the gun pole support.
8. Tighten both support knobs until they are secure with the gun pole support standing straight up.



9. Locate the gun pole. It is shipped in two pieces that are connected by the gun cable running through the center of the pole pieces.
10. Insert the gun pole bottom piece into the pole clamp assembly on the gun pole top piece.
11. Align the pieces so that the trigger on the gun pole top piece faces down and the gun cable coming out of the gun pole bottom piece comes out on top of the pole.
12. Tighten the pole clamp assembly.
13. Locate the gun pole knob and two star lock washers.
14. Align the gun mount assembly on the bottom of the gun pole with the long slot on the gun pole support.

15. Insert the gun pole knob from the opposite side of the gun pole support, through the star lock washers, and into the gun mount assembly on the gun pole. Tighten securely.
16. Install an airless spray gun into the gun mount assembly.
  - a. Place the handle of the gun into the gun mount assembly.
  - b. Position the gun so that the trigger rests on the trigger lever.
  - c. Tighten the gun clamp knob securely to hold the gun in position.

**NOTE: Adjustment of the gun mount assembly may be required depending on which airless spray gun is used. Adjust using a 9/64" hex wrench.**



## Operation



This equipment produces a fluid stream at extremely high pressure. Read and understand the warnings in the Safety Precautions section at the front of this manual as well as the airless sprayer and spray gun manuals before operating this equipment.

## Setup

Perform the following procedure to prepare the side striper for operation.



Make sure all airless hoses and spray guns are electrically grounded and rated at or above the maximum operating range of the sprayer.

1. Follow the setup procedure and safety precautions outlined in the airless sprayer's owner's manual.
2. Follow the setup procedure and safety precautions outlined in the airless spray gun's owner's manual.



Always keep the trigger lock on the spray gun in the locked position while preparing the system.

3. Using a wrench, attach a minimum of 50' of 1/4" nylon airless spray hose to the sprayer. Tighten securely.
4. Attach the opposite end of the hose to the airless spray gun in the gun mount assembly on the side striper. Using two wrenches (one on the gun and one on the hose), tighten securely.
5. Clip the airless hose into the hose clip on the gun pole.
6. Configure the side striper for the type of striping to be performed (straight line, curved line, curb, etc...). Refer to the "Configuring the SideStriper" section in this manual for different side striper set ups.



Make sure the airless sprayer is off, the trigger lock on the spray gun is in the locked position, and all pressure is relieved from the system before changing the side striper configuration.

## Painting

1. Position the airless sprayer so that it is close to the striping path but will not interfere during application.
2. Coil the hose so that it will unwind without catching on itself or any other obstacle during application.
3. Start up the airless sprayer. Follow the startup procedure and safety precautions outlined in the airless sprayer's owner's manual.



**POSSIBLE INJECTION HAZARD. Do not spray without the tip guard in place. Never trigger the gun unless the tip is in either the spray or the unclog position. Always engage the gun trigger lock before removing, replacing, or cleaning tip.**

4. Position the side striper slightly in front of the striping path.
5. Start walking with the side striper and trigger the gun at the beginning of the striping path.
6. At the end of striping path, release the trigger and continue walking a short distance, if possible.

**NOTE: Triggering the gun after the side striper is moving and releasing the trigger before the side striper stops produces an evenly painted line from start to finish. If the striping path ends at an obstacle, release the trigger at the same moment that the side striper stops moving.**

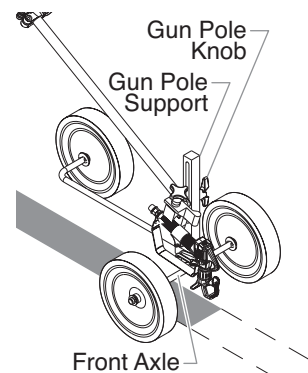
## Configuring the SideStriper

The side striper can be set up for several different striping applications. Refer to the following sections for the most common side striper configurations.

### Straight Line Striping

Straight line striping is the most common type of striping application. The "Assembly" section in this manual gives directions on assembling the side striper to perform straight line striping.

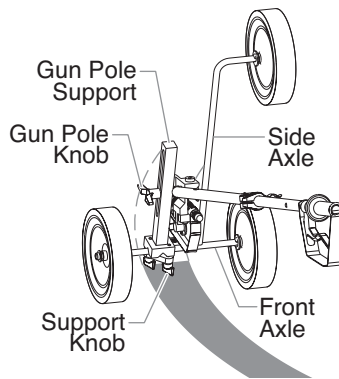
1. Mount the gun pole support on the front axle.
2. Loosen the gun pole knob to adjust the angle and height of the gun for the desired stripe size. Tighten the gun pole knob.



## Curved Line Striping

The side striper can be configured to paint a curved line.

1. Mount the gun pole support on the front axle.
2. Loosen the support knobs for the gun pole support.
3. Rotate the rear wheel up so that only the front two wheels touch the ground. The side axle and rear wheel should be standing vertical above the front axle and front wheels.
4. Tighten the two support knobs for the gun pole support securely.
5. Loosen the gun pole knob to adjust the angle and height of the gun for the desired stripe size. Tighten the gun pole knob securely.

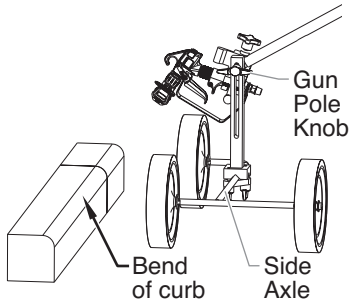


**NOTE:** It is important to tighten the gun pole knob securely when configuring the side striper to paint a curved line. If the knob is not tight enough, the side axle and rear wheel will slip down to ground level.

## Painting a Curb

The side striper can be configured to paint a curb

1. Mount the gun pole support on the side axle evenly spaced between the two wheels. Make sure the spray gun is pointing to the outside of the axle assembly.
2. Loosen the gun pole knob to adjust the angle and height of the gun. Point the gun at the bend of the curb so paint is evenly sprayed on both the horizontal and vertical parts of the curb. Tighten the gun pole knob.



## Cleanup

### **⚠ WARNING**

**Special cleanup instructions for use with flammable solvents:**

- Always flush spray gun preferably outside and at least one hose length from spray pump.
- If collecting flushed solvents in a one gallon metal container, place it into an empty five gallon container, then flush solvents.
- Area must be free of flammable vapors.
- Follow all cleanup instructions.

### **⚠ CAUTION**

**The sprayer, hose, and gun should be cleaned thoroughly after daily use. Failure to do so permits material to build up, seriously affecting the performance of the unit.**

### **⚠ WARNING**

**Always spray at minimum pressure with the gun nozzle tip removed when using mineral spirits or any other solvent to clean the sprayer, hose, or gun. Static electricity buildup may result in a fire or explosion in the presence of flammable vapors.**

1. Follow the "Pressure Relief Procedure" outlined in the airless sprayer's owner's manual.
2. Follow the "Cleanup" procedure outlined in the airless sprayer's and spray gun's owner's manuals.
3. Wipe down all surfaces of the side striper.
4. Store the side striper in a clean, dry area.

# Striping a Parking Lot

This section provides an example of how to lay out and paint the lines on an average parking lot using the side striper.

## Basic Layout Rules

- Measurements usually are taken from the back of the curb or concrete bumper.
- Work from the building out.
- One handicapped-accessible stall for every 25 spaces. Every lot must have at least one van stall with an 8' access aisle.
- Standard Stall Dimensions = 9'W x 18' D
- Compact Car Stall Dimensions = 8'W x 18' D

Distance between line ends for 9' wide stalls:

- 90° Stalls = 9'
- 60° Stalls = 10' - 4"
- 45° Stalls = 12' - 10"

Recommended Aisle Widths:

- 90° Stalls = 24' for two way traffic
- 60° Stalls = 20' for two way traffic
- 60° Stalls = 15' for one way traffic
- 45° Stalls = 19' for one way traffic
- 30° Stalls = 20' for one way traffic
- 15° Stalls = 22' for one way traffic

Tractor Trailer Dock Parking:

- 8' - 6" Inside Stall Width (trailer axle width)
- 60' Stall Length

# Layout Procedure

## Unlined Lots

1. Make sure the parking lot is clear of all brush and other debris.
2. Lay out the required handicapped spaces so that they are closest to the curb ramp and the building's door.
3. At one end of the parking lot, measure 18' from the back of the curb or concrete bumper and make a mark with a lumber crayon.
4. Go to the other end of the parking lot and measure 18' from the back of the curb or concrete bumper. Make a mark with a lumber crayon.
5. Snap a chalk line the length of the parking lot between the two 18' marks.
6. Establish the exact angle of the stalls from the chalk line and snap a chalk line for the first 18' stall line.
7. Measure out and mark all remaining stall line reference points. Measure the standard stall width of 9' on center from the first 18' stall line.
8. Snap chalk lines for all remaining stall lines.

## Restriping Lots

1. Snap a new reference chalk line to ensure even line ends.
2. Snap new stall chalk lines if old lines are not straight.

**NOTE: Old mistakes become new mistakes during restripes. Always take the time to snap new chalk lines.**

# ADA Requirements for Handicapped Spaces

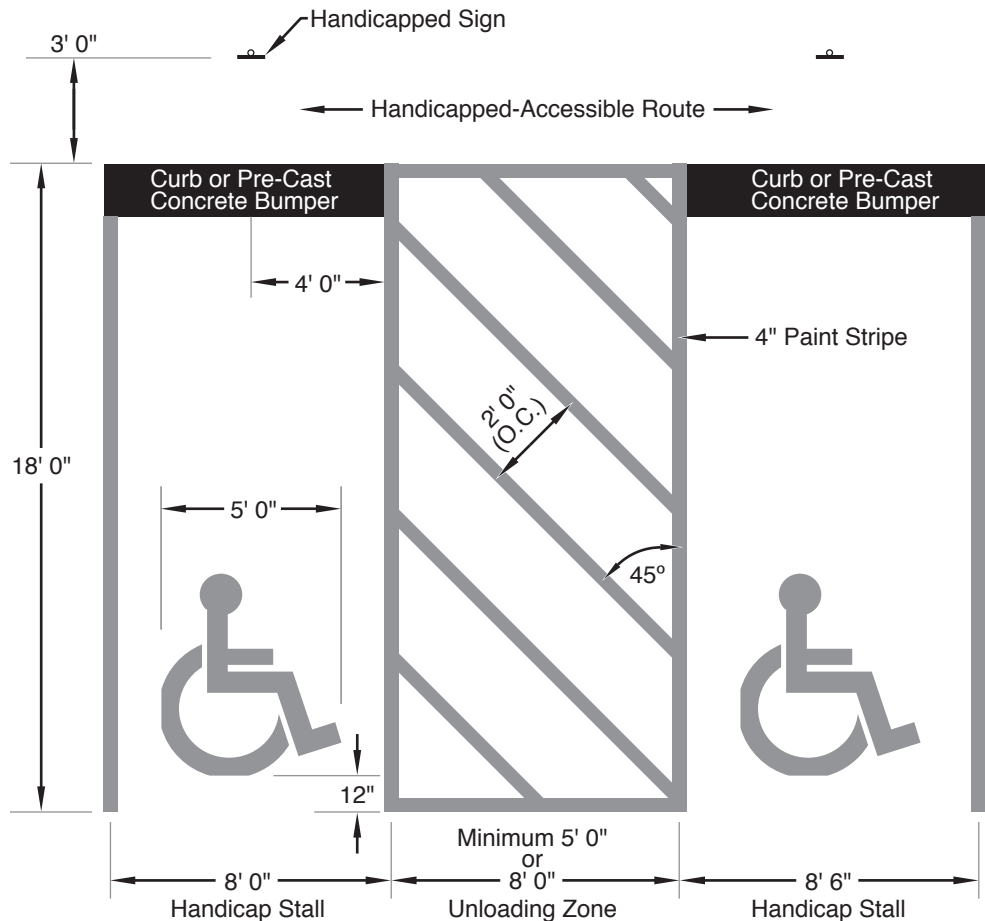
## Van-Accessible Parking Spaces

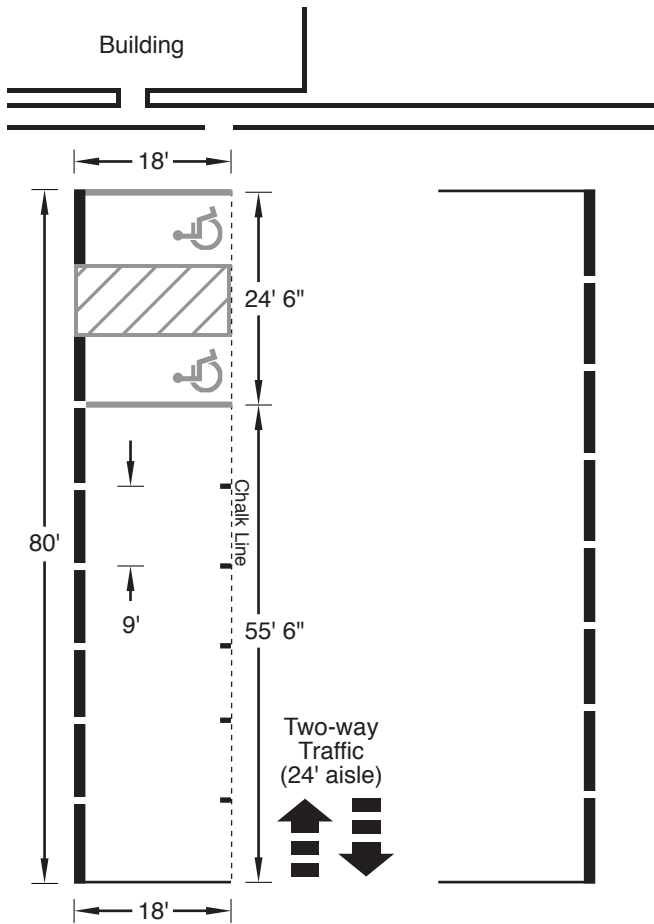
- At least 1 out of every 8 handicapped-accessible spaces must be van-accessible (minimum of 1 per lot).
- 8' minimum stall width plus 8' minimum access aisle.

## Car-Accessible Parking Spaces

- 7 out of every 8 handicapped-accessible spaces must be car-accessible.
- 8' minimum stall width plus 5' minimum access aisle.

**NOTE: These guidelines are not meant to supercede actual ADA documentation. Always refer to ADA specifications before starting a striping job.**





After laying out the two required handicapped spaces, 55' 6" remains. Divide 55' 6" by 9" stall width) to determine that 6 spaces can be created.

## Painting

1. Choose the proper paint. Ask the paint supplier which type of marking paint to use according to the surface being painted.
2. Follow the paint manufacturer's application instructions.
3. Position the sprayer at the end of the job (if possible) to reduce the chances of the paint hose dragging through wet paint.
4. Work clean. Prepare all painting materials over a tarp or cardboard to catch spills.
5. Make sure the pavement is fully cured and dry.
6. Choose the proper SC6 striping tip for the desired line width and striping speed (refer to the SC6 Striping Tip Chart).
7. Practice striping a few lines on scrap cardboard. Make final adjustments before starting the first line.
8. Position a piece of scrap cardboard at the beginning of each line to prevent uneven line starts.
9. Mask anything in the way that should not be painted.
10. Position the gun so that the tip is slightly behind the leading wheel. This will prevent the tip guard from striking the curb.
11. Set the sprayer's pressure as low as possible while maintaining even paint thickness across the line and sharp line edges.

**NOTE: Uneven line widths (hourglassing) can be caused by improper pressure settings.**

## SC-6 Striping Tip Chart

Tip Part #	Line Width	Orifice Size	Common Uses
665-1302	1"-4" (25-102 mm)	.013" (.33 mm)	Stencils & Athletic Courts — Light film (use 100 mesh filter)
665-1304	2"-3" (51-76 mm)	.013" (.33 mm)	Stencils & Athletic Courts — Light film (use 100 mesh filter)
665-1308	4"-8" (102-203 mm)	.013" (.33 mm)	Stencils & Athletic Courts — Light film (use 100 mesh filter)
665-1502	1"-4" (25-102 mm)	.015" (.33 mm)	Stencils & Athletic Courts — Alkyd only, light film
665-1504	2"-3" (51-76 mm)	.015" (.38 mm)	Stencils & Athletic Courts — Light film
665-1508	4"-8" (102-203 mm)	.015" (.38 mm)	Stencils & Athletic Courts — Light film
665-1702	1"-4" (25-102 mm)	.015" (.33 mm)	Stencils & Athletic Courts — Alkyd only, heavy film
665-1704	2"-3" (51-76 mm)	.017" (.43 mm)	Most traffic paints — Medium film
665-1708	4"-8" (102-203 mm)	.017" (.43 mm)	Most traffic paints — Light film
665-1904	2"-3" (51-76 mm)	.019" (.48 mm)	Most traffic paints — Heavy film
665-1908	4"-8" (102-203 mm)	.019" (.48 mm)	Most traffic paints — Medium film
665-2108	4"-8" (102-203 mm)	.021" (.53 mm)	Most traffic paints — Heavy film
665-2112	6"-12" (152-305 mm)	.021" (.53 mm)	Most traffic paints — Light film
665-2308	4"-8" (102-203 mm)	.023" (.58 mm)	Most traffic paints — Heavy film
665-2312	6"-12" (152-305 mm)	.023" (.58 mm)	Most traffic paints — Medium film
665-2508	4"-8" (102-203 mm)	.025" (.64 mm)	Most traffic paints — Very Heavy film
665-2512	6"-12" (152-305 mm)	.025" (.64 mm)	Most traffic paints — Heavy film
665-2708	4"-8" (102-203 mm)	.027" (.69 mm)	Most traffic paints — High speed, light film
665-2712	6"-12" (152-305 mm)	.027" (.69 mm)	Most traffic paints — Heavy film
665-2908	4"-8" (102-203 mm)	.029" (.74 mm)	Most traffic paints — High speed, medium film
665-2912	6"-12" (152-305 mm)	.029" (.74 mm)	Most traffic paints — High speed, light film
665-3108	4"-8" (102-203 mm)	.031" (.79 mm)	Most traffic paints — High speed, heavy film
665-3112	6"-12" (152-305 mm)	.031" (.79 mm)	Most traffic paints — High speed, medium film
665-3508	4"-8" (102-203 mm)	.033" (.84 mm)	Most traffic paints — High speed, heavy film
665-3512	6"-12" (152-305 mm)	.035" (.89 mm)	Most traffic paints — High speed, heavy film
665-3908	4"-8" (102-203 mm)	.039" (.99 mm)	All traffic paints — High speed, heavy film
665-3912	6"-12" (152-305 mm)	.039" (.99 mm)	All traffic paints — High speed, heavy film
665-4308	4"-8" (102-203 mm)	.043" (1.09 mm)	All traffic paints — High speed, heavy film
665-4312	6"-12" (152-305 mm)	.043" (1.09 mm)	All traffic paints — High speed, heavy film

# Consignes de sécurité

## ⚠ AVERTISSEMENT

**DANGER: BLESSURES PAR PERFORATION** - Le jet de peinture à haute pression produit par cet appareil peut perforer la peau et les tissus sous-jacents et entraîner de sévères blessures pouvant nécessiter une amputation. Consultez immédiatement un médecin.

**NE PAS TRAITER UNE BLESSURE PAR PERFORATION COMME UNE SIMPLE COUPURE!** Une perforation peut entraîner des risques d'amputation. Consultez immédiatement un médecin.

### MESURES PRÉVENTIVES:

- NE JAMAIS diriger le pistolet vers une quelconque partie du corps.
- NE JAMAIS mettre une quelconque partie du corps en contact avec le jet de liquide. NE JAMAIS se mettre au contact d'un jet de liquide provenant d'une fuite du flexible d'alimentation en liquide.
- NE JAMAIS placer votre main devant le pistolet. Des gants ne vous protégeront pas contre les risques de blessures par perforation.
- TOUJOURS verrouiller la gâchette du pistolet, fermer la pompe à liquide et décompresser l'appareil lorsque vous travaillez sur celui-ci, nettoyez le protecteur de tête, remplacez la tête de pulvérisation ou vous éloignez de l'appareil. Couper le moteur ne décompresse pas l'appareil. Vous devez, pour le décompresser, placer le bouton AMORÇAGE/PULVÉRISATION en position AMORÇAGE. Reportez-vous, pour cela, à la PROCÉDURE DE DÉCOMPRESSION décrite dans ce manuel.
- TOUJOURS s'assurer que le protecteur de tête est en place lorsque vous pulvérisez. Le protecteur de tête offre une certaine protection contre les blessures par perforation mais sa principale fonction est d'ordre préventif.
- TOUJOURS ôter la tête de pulvérisation avant de purger ou nettoyer l'appareil.
- Le flexible d'alimentation en peinture peut fuir à la suite d'une usure, de chocs ou de mauvais traitements. Une fuite peut entraîner une perforation de la peau. Inspecter le flexible avant chaque utilisation.
- NE JAMAIS utiliser un pistolet dont la gâchette n'est pas munie d'un loquet ou un cran de sécurité qui soit en état de fonctionner.
- Tous les accessoires doivent être homologués pour une pression égale ou supérieure à 3300 lb/po2 / 228BAR. Cela s'applique, entre autres, aux têtes de pulvérisation, aux accessoires du pistolet et aux flexibles.

**AVERTISSEMENT AUX MÉDECINS** : Une perforation sous-cutanée constitue un traumatisme. Il est important de traiter la blessure de façon chirurgicale aussitôt que possible. NE RETARDEZ PAS ce traitement pour des recherches de toxicité. La toxicité n'est un risque que dans les cas où certains produits de revêtement pénètrent dans le flux sanguin. Il peut être nécessaire de faire appel à des soins de chirurgie plastique ou de reconstruction de la main.

**DANGER: RISQUES D'EXPLOSION OU D'INCENDIE** - Les vapeurs dégagées par le solvant ou la peinture sont explosives et inflammables et peuvent causer des corporels sérieux ou dommages matériels.

### MESURES PRÉVENTIVES:

- Veiller à éviter toute accumulation de vapeurs inflammables en vous assurant que la zone où la pulvérisation a lieu est suffisamment ventilée.
- Veiller à éviter la présence de toute source incandescente telle qu'étincelle électrostatique, flamme nue, flamme-pilote, objet brûlant, cigarette et étincelle provenant du branchement ou du débranchement d'un cordon d'alimentation électrique ou d'un commutateur.
- Ne pas fumer dans la zone d'épandage.
- Toujours avoir un extincteur en état de fonctionner à portée de la main.
- Placer la pompe à peinture à une distance d'au moins un mètre (3 pi) (on recommande d'ailleurs une plus grande distance) de l'objet qui doit être vaporisé dans une pièce séparée bien aérée, ou à une distance d'au moins six mètres (20 pi) de celui-ci dans une zone bien aérée (utiliser d'autres tuyaux si nécessaires). Les vapeurs inflammables sont souvent plus lourdes que l'air. Le plancher doit être extrêmement bien aéré. La pompe à peinture contient des pièces pouvant créer des étincelles et enflammer les vapeurs présentes dans l'air.
- Le matériel utilisé, ainsi que les objets se trouvant à proximité de la zone de pulvérisation, doivent être convenablement reliés à la terre afin d'éviter toute étincelle ou toute décharge électrostatique.
- N'utiliser que des flexibles d'alimentation en liquide à haute pression conducteurs ou reliés à la terre dans les cas d'utilisation sans air comprimé. S'assurer que le pistolet est convenablement relié à la terre par l'intermédiaire du flexible.
- Le cordon d'alimentation doit être raccordé à un circuit mis à la terre.

- Toujours purger l'appareil dans un contenant métallique séparé, en s'assurant que la pompe soit à basse pression et que le chapeau soit retiré. Tenir le pistolet fermement contre la paroi du contenant pour mettre celui-ci à la terre et empêcher l'émission d'étincelles causées par l'électricité statique.
- Se conformer aux consignes et recommandations de sécurité du fabricant du solvant ou du produit.
- S'entourer de toutes les précautions possibles lorsqu'on utilise des produits ayant un point d'éclair inférieur à 21 °C (70 °F). Le point d'éclair d'un fluide est la température à laquelle les vapeurs émanant du fluide peuvent s'enflammer au contact d'une flamme ou d'une étincelle.
- Le plastique peut être une source d'étincelles provoquées par l'électricité statique. Ne jamais utiliser une couverture en plastique pour fermer une zone d'épandage ni utiliser des toiles de protection en plastique lors de la pulvérisation de matières inflammables.
- Lorsque vous purgez l'appareil, veillez à utiliser à la pression minimale.

### MOTEUR À ESSENCE (DANS LES CAS OÙ CELA S'APPLIQUE)

Toujours placer la pompe à l'extérieur de la structure à l'air frais. Garder tous les solvants loin de l'échappement du moteur. Ne jamais remplir le réservoir à carburant lorsque le moteur est en marche ou lorsqu'il est chaud ; les surfaces chaudes risquent d'enflammer le carburant déversé accidentellement. Toujours raccorder un fil de mise à la terre entre la pompe et un objet mis à la terre, tel qu'une conduite d'eau métallique. Se reporter au guide d'utilisation du moteur pour obtenir de plus amples renseignements concernant la sécurité.

**DANGER: RISQUES D'EXPLOSION PAR INCOMPATIBILITÉ DES MATÉRIEAUX** - Peuvent être à l'origine de corporels sérieux ou dommages matériels.

### MESURES PRÉVENTIVES:

- Ne pas utiliser de matériaux contenant des agents de blanchiment ou du chlore.
- Ne pas utiliser des solvants à base d'hydrocarbure halogéné tels que l'agent anticryptogamique, le chlorure de méthylène et le trichloro-éthane-1,1,1. Ces produits ne sont pas compatibles avec l'aluminium.
- Communiquer avec votre fournisseur de revêtement pour connaître la compatibilité du matériau avec l'aluminium.

**DANGER: VAPEURS NOCIVES** – la peinture, les solvants, les insecticides et autres matériaux peuvent être nocifs lorsqu'ils sont inhalés ou en contact avec le corps. Les vapeurs peuvent causer une nausée importante, des évanouissements ou un empoisonnement.

### MESURES PRÉVENTIVES:

- Utiliser un respirateur ou un masque chaque fois qu'il y a des risques d'inhalation de vapeurs. Lire attentivement toutes les instructions se rapportant au masque pour vérifier que celui-ci vous assure une protection suffisante contre les vapeurs toxiques.
- Porter des lunettes de protection.
- Porter des vêtements de protection, conformément aux directives du fabricant de revêtement.

**DANGER: GÉNÉRALITÉS** - Peut causer des dommages matériels ou corporels sérieux.

### MESURES PRÉVENTIVES:

- Avant d'utiliser tout équipement, lire attentivement toutes les instructions et les consignes de sécurité
- Toujours débrancher le moteur de l'alimentation électrique avant d'effectuer des travaux sur l'appareil.
- Se conformer à la législation locale, provinciale ou fédérale pour tout ce qui concerne la ventilation, la prévention des incendies et les conditions générales d'utilisation.
- Les normes de sécurité du Gouvernement américain sont régies par le Occupational Safety and Health Act (OSHA). Il est important de consulter ces normes, en particulier la section 1910 sur les normes générales et la section 1926 sur les des normes de la construction.
- N'utiliser que les pièces autorisées par le fabricant. L'utilisateur assume tous les risques et responsabilités lorsqu'il utilise des pièces qui ne sont pas conformes aux caractéristiques techniques minimales ainsi qu'aux dispositifs de sécurité du fabricant de la pompe.
- Vérifier, avant toute utilisation, que les flexibles ne présentent pas d'entaille ou de fuite, que le couvercle ne soit pas gonflé et que les raccords ne soient pas endommagés. Si le flexible a subi l'un des dommages précités, remplacez-le immédiatement. Ne jamais réparer un flexible d'alimentation en peinture. Le remplacer par un autre flexible mis à la terre.
- Tout flexible, raccord orientable, pistolet et accessoire utilisé avec cet appareil doit pouvoir fonctionner à une pression égale ou supérieure à 3300 lb/po2 / 228BAR.
- Ne jamais pulvériser lorsqu'il vente.
- Porter des vêtements pour protéger la peau et les cheveux contre tout contact avec la peinture.



# Precauciones de seguridad

## ⚠️ ADVERTENCIA

**PELIGRO: LESIÓN POR INYECCIÓN** - La corriente de pintura de alta presión que produce este equipo puede perforar la piel y tejidos subyacentes, lo que conduciría a lesiones serias y una posible amputación. Consulte de inmediato a un médico.

**NO TRATE LAS LESIONES POR INYECCIÓN COMO SI FUERAN SIMPLES CORTADAS!** Una inyección puede conducir a una amputación. Consulte de inmediato a un médico.

### PARA PREVENIR:

- NO dirija NUNCA la punta de la pistola hacia alguna parte del cuerpo.
- NO permita NUNCA que alguna parte del cuerpo tenga contacto con la corriente del fluido. EVITE tener contacto con corrientes de fluido que salgan de fugas que haya en la manguera.
- NO ponga NUNCA la mano enfrente de la manguera. Los guantes no ofrecen ninguna protección contra lesiones por inyección.
- Bloquee SIEMPRE el gatillo de la pistola, apague la bomba de fluido y libere toda la presión antes de dar mantenimiento, limpiar el protector de la boquilla, cambiar la boquilla o dejar desatendido el equipo. La presión no se liberará al apagar el motor. Para liberar la presión debe girarse la perilla PRIME/SPRAY (cebar/atomizar) hasta la posición PRIME. Consulte el PROCEDIMIENTO PARA LIBERAR LA PRESIÓN que se describe en este manual.
- Mantenga puesto SIEMPRE el protector de la boquilla mientras atomice. El protector de la boquilla ofrece cierta protección contra lesiones por inyección pero es principalmente un dispositivo de advertencia.
- Quite SIEMPRE la boquilla del atomizador antes de enjuagar o limpiar el sistema.
- Pueden desarrollarse fugas en la manguera de pintura por causa del desgaste, retorcimientos o el abuso. Una fuga es capaz de inyectar el material en la piel. Cada vez que use la manguera de pintura, inspecciónela antes.
- NO use nunca una pistola de atomización que no tenga un bloqueador o un protector de gatillo puesto y que funcione.
- Todos los accesorios deben tener una capacidad de 3300 lb/pulg<sup>2</sup> / 228BAR o mayor. Esto incluye las boquillas de atomizador, pistolas, extensiones y mangueras.

**NOTA PARA EL MÉDICO:** La inyección dentro de la piel es una lesión traumática. Es importante que la lesión se trate quirúrgicamente tan pronto como sea posible. NO retrase el tratamiento por investigar la toxicidad. La toxicidad es motivo de preocupación con algunos revestimientos que se inyectan directamente en la corriente sanguínea. Es recomendable consultar a un cirujano plástico o reconstructor de manos.

**PELIGRO: EXPLOSIÓN O INCENDIO** - Los vapores de solventes y pintura pueden explotar o incendiarse, causando con esto lesiones severas y/o daños en la propiedad.

### PARA PREVENIR:

- Debe proveerse un escape y aire fresco para hacer que el aire que está dentro del área de atomización se mantenga libre de acumulaciones de vapores inflamables.
- Evite todas las fuentes de ignición como son las chispas electrostáticas, llamas abiertas, flamas de piloto, objetos calientes, cigarrillos, y chispas que se generan al conectar y desconectar las extensiones o de apagadores de luz que estén funcionando.
- No fume en la zona de trabajo.
- Debe haber un equipo para extinguir incendios permanentemente y en buenas condiciones.
- Coloque la bomba para pintar a un mínimo de 1 m (de preferencia más) en una habitación aparte, bien ventilada, alejada del objeto que va a pintar o a por lo menos 6 m de dicho objeto, en una zona bien ventilada (utilice una manguera más larga, si es necesario). Los gases inflamables a menudo son más pesados que el aire. La zona del piso debe tener la debida ventilación. La bomba para pintar contiene piezas que forman arcos que emiten chispas y pueden encender los gases.
- El equipo que se utilice, así como los objetos que estén dentro y alrededor del área de atomización, deben conectarse a tierra de manera apropiada para prevenir las descargas eléctricas y las chispas.
- Use solamente mangueras para fluidos de alta presión, conductoras o conectadas a tierra, para aplicaciones sin aire. Asegúrese de que la pistola esté conectada a tierra de manera apropiada, mediante conexiones de manguera.
- El cable de alimentación debe enchufarse a un circuito aterrado.

- Siempre enjuague la unidad en un recipiente de metal por separado, con presión baja en la bomba y sin la boquilla. Sostenga la pistola firmemente contra el recipiente para ponerlo a tierra y evitar chispas estáticas.
- Siga las advertencias y avisos de seguridad del fabricante de los materiales y solventes.
- Tenga muchísimo cuidado al usar materiales cuyo punto de ignición sea inferior a 70° F (21° C). El punto de ignición es la temperatura a la cual pueden encenderse los vapores emanados por un fluido al exponerlos a llamas o chispas.
- El plástico puede causar chispas estáticas. Nunca cuelgue plástico en las ventanas ni en las puertas del área donde va a pintar. No utilice plástico para proteger el piso cuando pinte materiales inflamables.
- Cuando enjuague el equipo utilice la presión más baja posible.

### MOTOR DE GAS (SEGÚN CORRESPONDA)

Coloque siempre la bomba fuera del edificio, al aire libre. Mantenga todo solvente alejado del escape del motor. Nunca llene el tanque de combustible si el motor está encendido o caliente. La superficie caliente puede encender el combustible derramado. Conecte siempre un conductor de tierra desde la unidad de la bomba a un objeto puesto a tierra, por ejemplo una tubería de agua metálica. Consulte el manual del motor para obtener información completa de seguridad.

**PELIGRO: PELIGRO DE EXPLOSIÓN DEBIDO A MATERIALES INCOMPATIBLES** - Podría causar lesiones severas o daños en la propiedad.

### PARA PREVENIR:

- No utilice materiales que contengan blanqueador o cloro.
- No use solventes con hidrocarburos halogenados, tales como productos para eliminar el moho, cloruro de metileno y 1,1,1 - tricloroetano. Estos no son compatibles con el aluminio.
- Comuníquese con el proveedor del producto para obtener información de compatibilidad con materiales de aluminio.

**PELIGRO: GASES PELIGROSOS** - Las pinturas, solventes, insecticidas y otros materiales pueden ser perjudiciales si se inhalan o entran en contacto con el cuerpo. Los gases pueden causar náusea, desmayos o envenenamiento graves.

### PARA PREVENIR:

- Use una mascarilla respiratoria o careta siempre que exista la posibilidad de que se puedan inhalar vapores. Lea todas las instrucciones que vengan con la careta para estar seguro de que se tendrá la protección necesaria contra la inhalación de vapores dañinos.
- Use gafas protectoras.
- Use ropa de protección, según lo requiera el fabricante del producto.

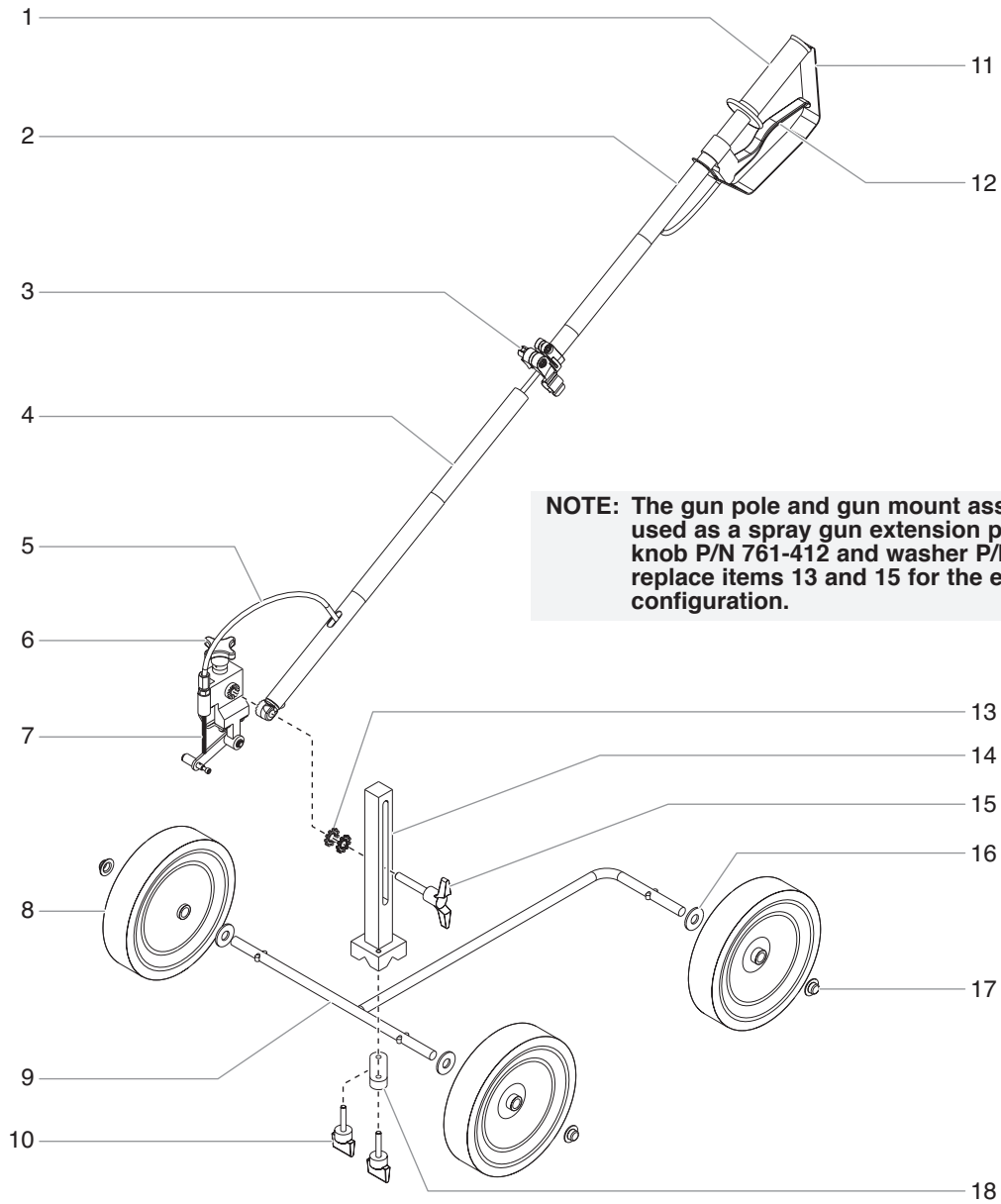
**PELIGRO: GENERAL** - Puede causar daños en la propiedad o lesiones severas.

### PARA PREVENIR:

- Lea todas las instrucciones y advertencias de seguridad antes de hacer funcionar cualquier equipo.
- Desconecte siempre el motor del suministro eléctrico antes de dar servicio al equipo.
- Observe todos los códigos locales, estatales y nacionales apropiados que rigen las medidas de ventilación, prevención de incendios y operación.
- Los Estándares de Seguridad del Gobierno de los Estados Unidos se han adoptado bajo el Acta de Seguridad y Salud Ocupacionales (OSHA por sus siglas en inglés). Deben consultarse estos estándares, particularmente la parte 1910 de los Estándares Generales y la parte 1926 de los Estándares de la Construcción.
- Utilice únicamente piezas autorizadas por el fabricante. El usuario asume todos los riesgos y responsabilidades si usa piezas que no cumplen con las especificaciones mínimas y dispositivos de seguridad del fabricante de la bomba.
- Antes de usarla cada vez, revise todas las mangueras para ver que no tengan cortadas, fugas, una cubierta desgastada por abrasión o con abolladuras, así como uniones dañadas o que se hayan movido. Si existiera cualquiera de estas condiciones, reemplace la manguera inmediatamente. No repare nunca una manguera de pintura. Reemplácela con otra manguera conectada a tierra.
- Todas las mangueras, soportes giratorios, pistolas y accesorios que se usen con esta unidad deben tener una capacidad de presión de 3300 lb/pulg<sup>2</sup> / 228 BAR o mayor.
- No atomice en días con viento.
- Use ropa que evite el contacto de la pintura con la piel y el cabello.

# Parts List

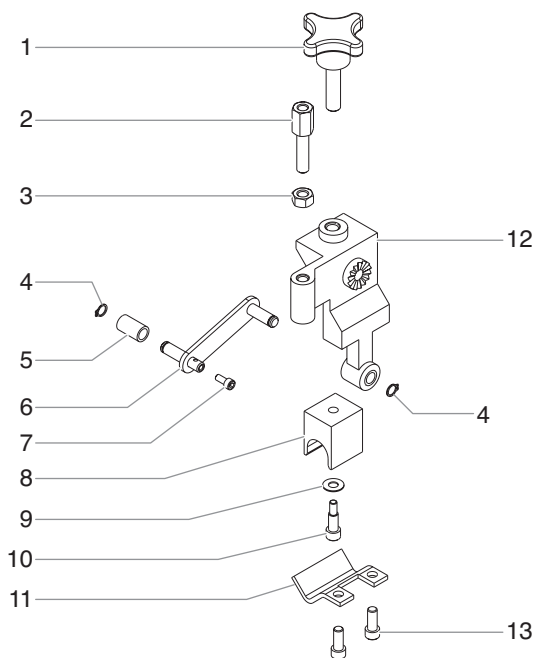
## Main Assembly



**NOTE:** The gun pole and gun mount assembly can be used as a spray gun extension pole. Order knob P/N 761-412 and washer P/N 756-090 to replace items 13 and 15 for the extension pole configuration.

Item	Part #	Description	Quantity	Item	Part #	Description	Quantity
1	757-907	Handle grip .....	1	10	779-211	Support knob .....	2
2	779-226	Gun pole, top .....	1	11	757-908	Trigger guard .....	1
3	550-074	Pole clamp assembly .....	1	12	756-136	Trigger.....	1
4	779-227	Gun pole, bottom .....	1	13	779-217	Star lock washer .....	2
5	779-225	Cable .....	1	14	779-212	Gun pole support .....	1
6	779-205	Gun mount assembly.....	1	15	779-209	Gun pole knob .....	1
7	757-911	Return spring .....	1	16	779-239	Wheel washer .....	3
8	779-237	Wheel.....	3	17	779-238	Wheel cap.....	3
9	779-207	Axle.....	1	18	779-223	Support bracket .....	1
					700-203	Grease .....	1

## Gun Mount Assembly (P/N 779-205)



<b>Item</b>	<b>Part #</b>	<b>Description</b>	<b>Quantity</b>
1	756-034	Gun clamp knob .....	1
2	756-107	Cable adjustment screw .....	1
3	756-114	Jam nut .....	1
4	756-077	Snap ring .....	2
5	756-036	Bushing .....	1
6	756-069	Bracket.....	1
7	756-076	Screw .....	1
8	779-106	Clamp block .....	1
9	540-086	Washer.....	1
10	756-037	Screw .....	1
11	756-038	Gun support.....	1
12	757-910	Gun mount .....	1
13	700-622	Screw.....	2

## Labels

<b>Part #</b>	<b>Description</b>
313-2075	SideStriper label
313-080	Gun pole warning label

# Warranty • Garantie • Garantía

Titan Tool, Inc., ("Titan") warrants that at the time of delivery to the original purchaser for use ("End User"), the equipment covered by this warranty is free from defects in material and workmanship. Titan's obligation under this warranty is limited to replacing or repairing without charge those parts which, to Titan's reasonable satisfaction, are shown to be defective within twenty-five (25) months after sale to the End User. This warranty applies only when the unit is installed and operated in accordance with the recommendations and instructions of Titan.

This warranty does not apply in the case of damage or wear caused by abrasion, corrosion or misuse, negligence, accident, faulty installation, substitution of non-Titan component parts, or tampering with the unit in a manner to impair normal operation.

Defective parts are to be returned to an authorized Titan sales/service outlet. All transportation charges, including return to the factory, if necessary, are to be borne and prepaid by the End User. Repaired or replaced equipment will be returned to the End User transportation prepaid.

THERE IS NO OTHER EXPRESS WARRANTY. TITAN HEREBY DISCLAIMS ANY AND ALL IMPLIED WARRANTIES INCLUDING, BUT NOT LIMITED TO, THOSE OF MERCHANTABILITY AND FITNESS FOR A PARTICULAR PURPOSE, TO THE EXTENT PERMITTED BY LAW. THE DURATION OF ANY IMPLIED WARRANTIES WHICH CANNOT BE DISCLAIMED IS LIMITED TO THE TIME PERIOD SPECIFIED IN THE EXPRESS WARRANTY. IN NO CASE SHALL TITAN LIABILITY EXCEED THE AMOUNT OF THE PURCHASE PRICE. LIABILITY FOR CONSEQUENTIAL, INCIDENTAL OR SPECIAL DAMAGES UNDER ANY AND ALL WARRANTIES IS EXCLUDED TO THE EXTENT PERMITTED BY LAW.

TITAN MAKES NO WARRANTY AND DISCLAIMS ALL IMPLIED WARRANTIES OF MERCHANTABILITY AND FITNESS FOR A PARTICULAR PURPOSE WITH RESPECT TO ACCESSORIES, EQUIPMENT, MATERIALS OR COMPONENTS SOLD BUT NOT MANUFACTURED BY TITAN. THOSE ITEMS SOLD, BUT NOT MANUFACTURED BY TITAN (SUCH AS GAS ENGINES, SWITCHES, HOSES, ETC.) ARE SUBJECT TO THE WARRANTY, IF ANY, OF THEIR MANUFACTURER. TITAN WILL PROVIDE THE PURCHASER WITH REASONABLE ASSISTANCE IN MAKING ANY CLAIM FOR BREACH OF THESE WARRANTIES.

Titan Tools, inc. (« Titan ») garantit qu'au moment de la livraison à l'acheteur original (« Utilisateur »), l'appareil couvert par la présente garantie sera exempt de défauts de matériaux et de fabrication. Les responsabilités de Titan en vertu de cette garantie se limitent au remplacement ou à la réparation sans frais des pièces dont on aura, à la satisfaction raisonnable de Titan, démontré la défectuosité dans un délai de vingt-cinq (25) mois après la date d'achat par l'utilisateur. Cette garantie ne s'applique que si l'appareil a été installé et utilisé conformément aux recommandations et directives de Titan.

Cette garantie ne s'applique pas dans les cas d'endommagement ou d'usure engendrés par de l'abrasion, de la corrosion, un mauvais usage, de la négligence, un accident, une installation incorrecte, un remplacement par des composants non fournis par Titan ou toute intervention non autorisée apte à nuire au fonctionnement normal de l'appareil.

Les pièces défectueuses doivent être envoyées à un centre de service/vente Titan autorisé; les frais de transport, incluant le retour à l'usine, le cas échéant, doivent être défrayés à l'avance par l'utilisateur. Une fois remplacées ou réparées, les pièces seront renvoyées à ce dernier par transport prépayé.

AUCUNE AUTRE GARANTIE EXPLICITE N'EST DONNÉE. PAR LES PRÉSENTES, TITAN SE DÉGAGE DE TOUTE AUTRE GARANTIE IMPLICITE, INCLUANT, SANS TOUTEFOIS S'Y LIMITER, LES GARANTIES DE COMMERCIALITÉ ET D'ADAPTATION À UN USAGE PARTICULIER, DANS LES LIMITES PERMISES PAR LA LOI. LA DURÉE DES GARANTIES IMPLICITES NE POUVANT ÊTRE DÉCLINÉES SE LIMITE À LA PÉRIODE INDIQUÉE DANS LA GARANTIE EXPLICITE. LES RESPONSABILITÉS DE TITAN NE SAURAIENT EN AUCUN CAS SE CHIFFRER À UN MONTANT SUPÉRIEUR À CELUI DU PRIX D'ACHAT, ET CELLES RELATIVES AUX DOMMAGES CONSÉCUTIFS, ACCESSOIRES OU PARTICULIERS EN VERTU DE TOUTE GARANTIE SONT ÉGALEMENT DÉCLINÉES, DANS LES LIMITES PERMISES PAR LA LOI.

TITAN NE DONNE AUCUNE AUTRE GARANTIE EXPLICITE ET DÉCLINE TOUTE GARANTIE IMPLICITE DE COMMERCIALITÉ ET D'ADAPTATION À UN USAGE PARTICULIER RELATIVEMENT AUX ACCESSOIRES, À L'ÉQUIPEMENT, AUX MATÉRIAUX OU AUX COMPOSANTS VENDUS MAIS NON FABRIQUÉS PAR ELLE; CES ÉLÉMENTS (MOTEURS À ESSENCE, COMMUTATEURS, FLEXIBLES, ETC.) SONT PLUTÔT SOUMIS, LE CAS ÉCHÉANT, AUX GARANTIES DE LEUR FABRICANT. TITAN S'ENGAGE À OFFRIR UN SOUTIEN RAISONNABLE AUX UTILISATEURS QUI FERONT DES RÉCLAMATIONS RELATIVES À L'INOBSERVATION DE CES GARANTIES.

Titan Tool, Inc., ("Titan") garantiza que en el momento de la entrega al comprador original para su uso ("Usuario final"), el equipo cubierto por esta garantía está exento de defectos en material y fabricación. La obligación de Titan en virtud de esta garantía se limita a sustituir o reparar sin cargo las piezas que; a la entera satisfacción de Titan, demuestren estar defectuosas dentro de veinticinco (25) meses después de la venta al usuario final. Esta garantía corresponde solamente cuando la unidad se instala y funciona según las recomendaciones e instrucciones de Titan.

Esta garantía no corresponde en el caso de daños o desgaste causados por abrasión, corrosión o uso indebido, negligencia, accidente, instalación errada, sustitución de piezas con componentes que no sean Titan o alteraciones con la unidad de tal modo que se vea afectado el funcionamiento normal.

Las piezas defectuosas deben devolverse a un centro de ventas y servicio autorizado de Titan. Todos los cargos de transporte, incluso la devolución a la fábrica, si es necesario, debe pagarlos previamente el usuario final. El equipo reparado o cambiado se devolverá al usuario final con porte prepago.

NO EXISTE NINGUNA OTRA GARANTÍA EXPRESA. TITAN DESCONOCE POR LA PRESENTE TODA OTRA GARANTÍA IMPLÍCITA INCLUSIVE ENTRE OTRAS, LAS DE COMERCIABILIDAD E IDONEIDAD PARA UN FIN PARTICULAR, EN LA MEDIDA QUE LO PERMITA LA LEY. LA DURACIÓN DE LAS GARANTÍAS IMPLÍCITAS QUE NO PUEDEN DESCONOCERSE SE LIMITA AL PLAZO ESPECIFICADO EN LA GARANTÍA EXPRESA. EN NINGÚN CASO EXCEDERÁ LA RESPONSABILIDAD DE TITAN EL MONTO DEL PRECIO DE COMPRA. LA RESPONSABILIDAD CIVIL POR DAÑOS Y PERJUICIOS RESULTANTES, FORTUITOS O ESPECIALES BAJO TODA GARANTÍA QUEDA EXCLUIDA EN LA MEDIDA QUE LO PERMITA LA LEY.

TITAN NO OFRECE GARANTÍAS Y DESCONOCE TODA GARANTÍA IMPLÍCITA DE COMERCIABILIDAD E IDONEIDAD PARA UN FIN PARTICULAR REFERENTE A ACCESORIOS, EQUIPO, MATERIALES O COMPONENTES VENDIDOS PERO NO FABRICADOS POR TITAN. AQUELLOS ARTÍCULOS VENDIDOS, PERO NO FABRICADOS POR TITAN (COMO LOS MOTORES DE GAS, INTERRUPTORES, MANGUERAS, ETC.) ESTÁN PROTEGIDOS POR LA GARANTÍA DE SU PROPIO FABRICANTE, SI LA HAY. TITAN PROPORCIONARÁ AL COMPRADOR ASISTENCIA RAZONABLE PARA EFECTUAR RECLAMOS EN CASO DE INCUMPLIMIENTO DE ESTAS GARANTÍAS.

Material Safety Data Sheets (MSDS) are available on Titan's website or by calling Customer Service.



## United States Sales & Service

1-800-526-5362

Fax 1-800-528-4826

556 Commerce Street  
Franklin Lakes, NJ 07417

www.titantool.com

## Canadian Branch

1-800-565-8665

Fax 1-905-856-8496

200 Trowers Road, Unit 7B  
Woodbridge, Ontario L4L 5Z8

## International

1-201-337-1240

Fax 1-201-405-7449

556 Commerce Street  
Franklin Lakes, NJ 07417 USA