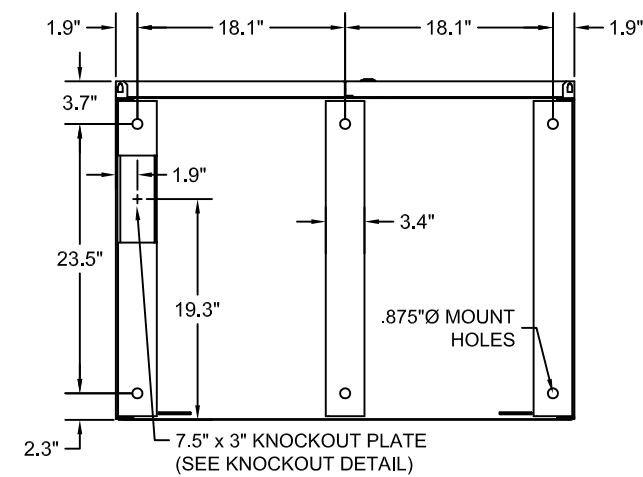


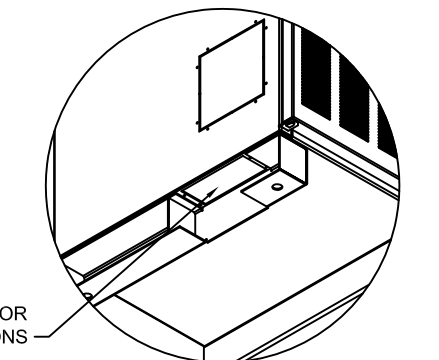
CABINET NOTES:

EMPTY CABINET WEIGHT: 520 Lbs.

1. NEMA 1 ENCLOSED BATTERY CABINET.
2. FACTORY ASSEMBLED CABINETS ARE UL LISTED 1778 & CSA LISTED 22.2 NO. 107.1-M95.
3. CABINET IS ZONE 4 RATED AND CERTIFIED (SEE ZONE 4 ANCHORAGE DRAWING FOR DETAILS)
4. CABINET BODY IS 10 GA. COLD ROLLED STEEL.
5. BATTERY SUPPORT RAILS ARE 10 GA. COLD ROLLED STEEL.
6. DOORS & REAR COVER ARE 16 GA. COLD ROLLED STEEL.
7. PAINT IS BEIGE POWDER COAT, OVEN BAKED FOR CHIP & CORROSION RESISTANT FINISH.
8. FOR EASE OF CONDUIT INSTALLATION, 16 GAUGE CONDUIT KNOCKOUT PLATES ARE PROVIDED TO REPLACE THE 10 GAUGE KNOCKOUTS IN THE CABINET. (2) 8"x8" COVER PLATES AND (1) 3"x7.5" COVER PLATE ARE PROVIDED.
9. BATTERIES CAN BE ACCESSED FROM THE FRONT AND REAR.
10. CABINET CAN BE MOVED WITH PALLET JACK OR FORK LIFT AT PALLET JACK ACCESS POINTS LOCATED AT FRONT OR REAR OF CABINET. FROM THE SIDES, THE CABINET CAN BE MOVED WITH ROL-A-LIFT TYPE EQUIPMENT MOVER. THE CABINET IS ONLY TO BE LIFTED FROM THE BOTTOM.



BOTTOM ACCESS FOR RAISED FLOOR APPLICATIONS



ISOMETRIC VIEW

KNOCKOUT DETAIL (CABINET VIEW ANGLE 45°X, 30°Y)

DRAWN BY:	DATE:
JRL	11/20/06
CHECKED BY:	DATE:
APPROVED BY:	DATE:

THIS MATERIAL IS THE EXCLUSIVE PROPERTY OF TOSHIBA INTERNATIONAL CORPORATION AND SHALL NOT BE REPRODUCED, USED OR DISCLOSED TO OTHERS UNLESS PRIOR WRITTEN AUTHORIZATION IS OBTAINED.

TITLE:
55T BATTERY CABINET

SCALE:
NTS

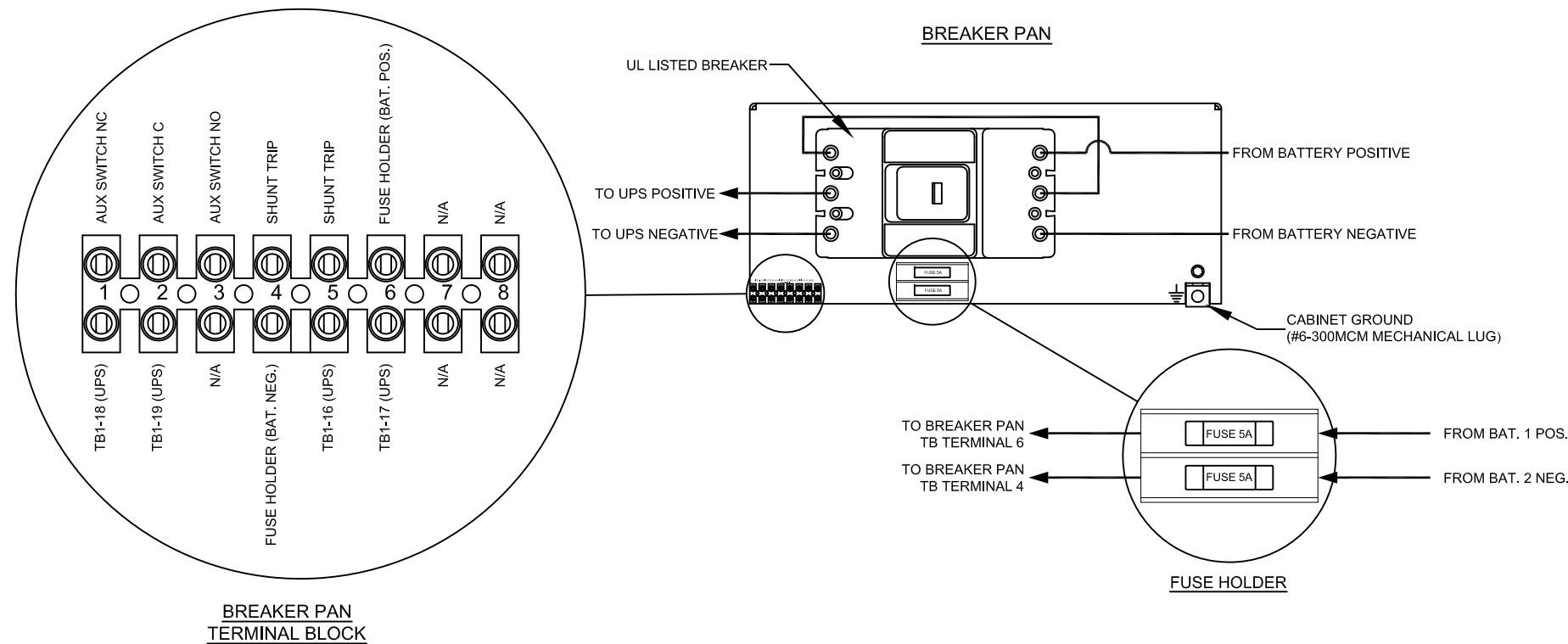
ORDER NO.:

DRAWING NO.:
91455SDT1-1 REV A

TOSHIBA INTERNATIONAL CORPORATION
13131 WEST LITTLE YORK ROAD, HOUSTON, TX, 77041 U.S.A.

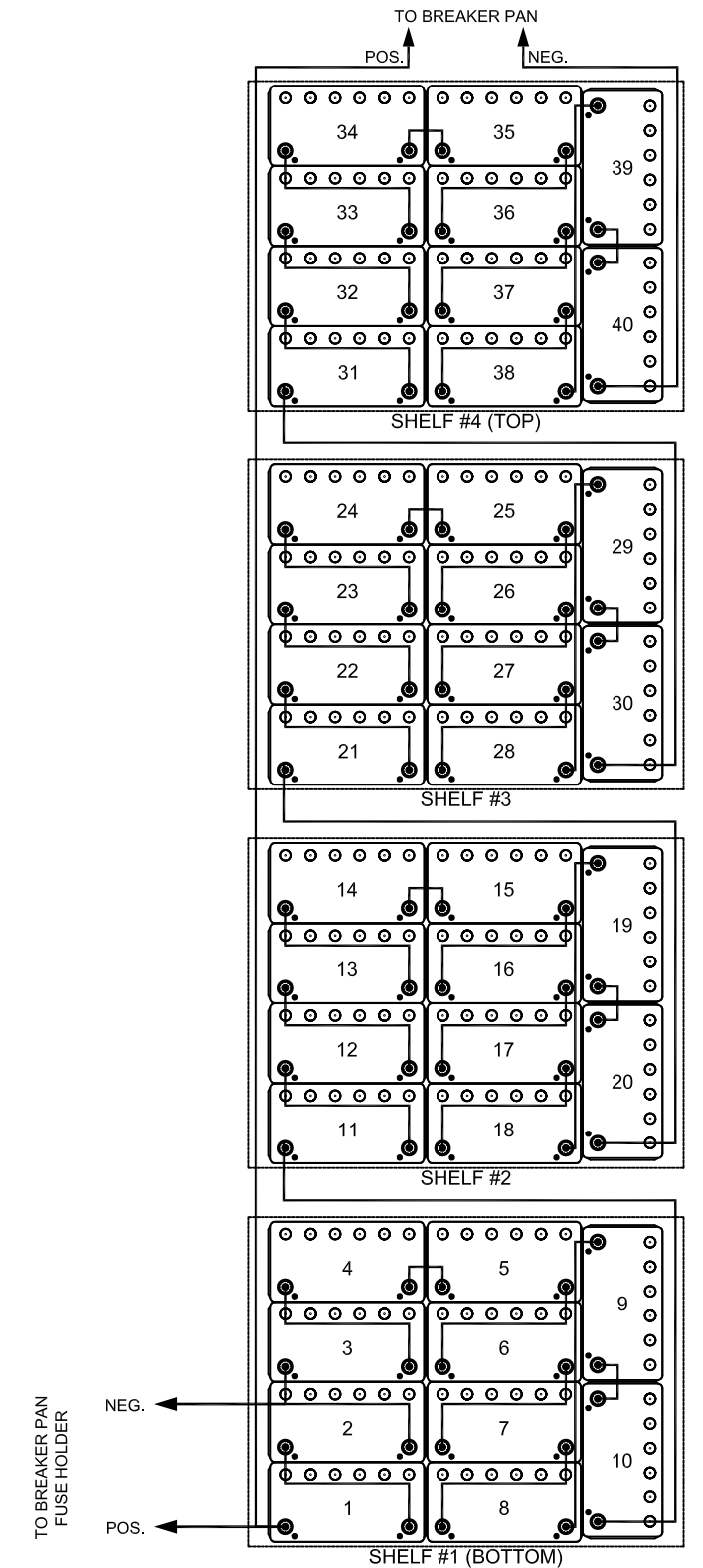
BATTERY TERMINALS & TORQUE SPECS

<u>BATTERY MODEL</u>	<u>TERMINAL TYPE</u>	<u>TORQUE</u>
UPS12-200	1/4" THREADED INSERT	40 IN/LB
UPS12-270	1/4" THREADED INSERT	40 IN/LB
UPS12-310	1/4" THREADED INSERT	65 IN/LB
UPS12-370	1/4" THREADED INSERT	65 IN/LB
UPS 12-475	1/4" THREADED INSERT	110 IN/LB
UPS 12-530	1/4" THREADED INSERT	110 IN/LB



ELECTRICAL NOTES:

1. ALL INTERNAL WIRING IS UL LISTED, MTW, STYLE, 105C, EXTRA FLEXIBLE CABLE.
2. FUSES ARE UL LISTED TYPE ATM 5A
3. FUSE HOLDER IS UL RECOGNIZED
4. TERMINAL BLOCK IS UL RECOGNIZED
5. BREAKER IS UL LISTED
6. CABINETS WITH BREAKERS ARE SHIPPED WITH BREAKER IN THE OFF/OPEN POSITION.
7. CABINETS ARE SHIPPED WITH BATTERY JUMPER REMOVED TO BREAK STRING VOLTAGE FOR ADDED SAFETY IN SHIPPING.
8. CABLES FROM BATTERY CABINET TO UPS SYSTEM ARE OPTIONAL. CONSULT FACTORY.
9. GROUND CONNECTION IS #6-300MCM MECHANICAL LUG.



DRAWN BY: JRL	DATE: 11/20/06
CHECKED BY:	DATE:
APPROVED BY:	DATE:

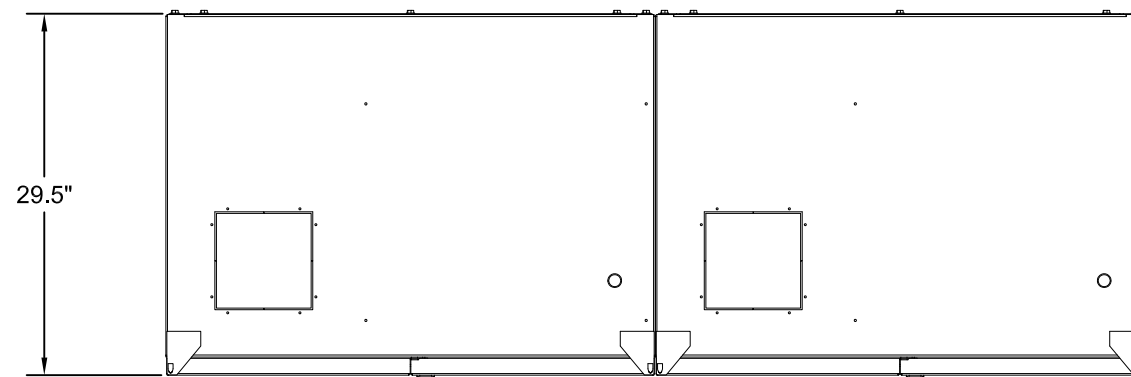
THIS MATERIAL IS THE EXCLUSIVE PROPERTY OF TOSHIBA INTERNATIONAL CORPORATION AND SHALL NOT BE REPRODUCED, USED OR DISCLOSED TO OTHERS UNLESS PRIOR WRITTEN AUTHORIZATION IS OBTAINED.

TITLE:
55T BATTERY CABINET

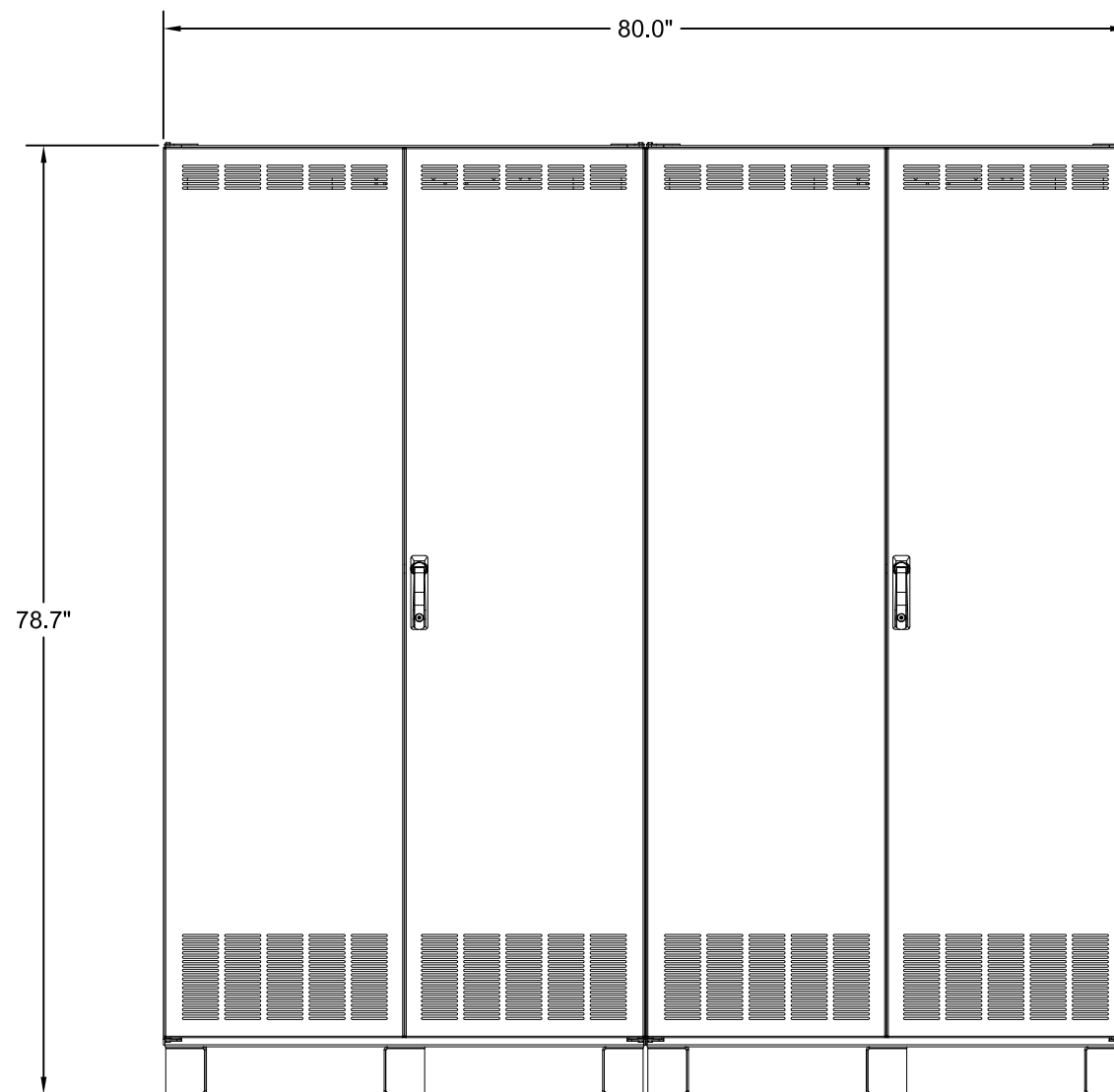
SCALE:
NTS

ORDER NO.:

DRAWING NO.:
91455SDT1-2 REV A



TOP VIEW



FRONT VIEW

DRAWN BY:	DATE:
JRL	11/20/06
CHECKED BY:	DATE:
APPROVED BY:	DATE:

THIS MATERIAL IS THE EXCLUSIVE PROPERTY OF TOSHIBA INTERNATIONAL CORPORATION AND SHALL NOT BE REPRODUCED, USED OR DISCLOSED TO OTHERS UNLESS PRIOR WRITTEN AUTHORIZATION IS OBTAINED.

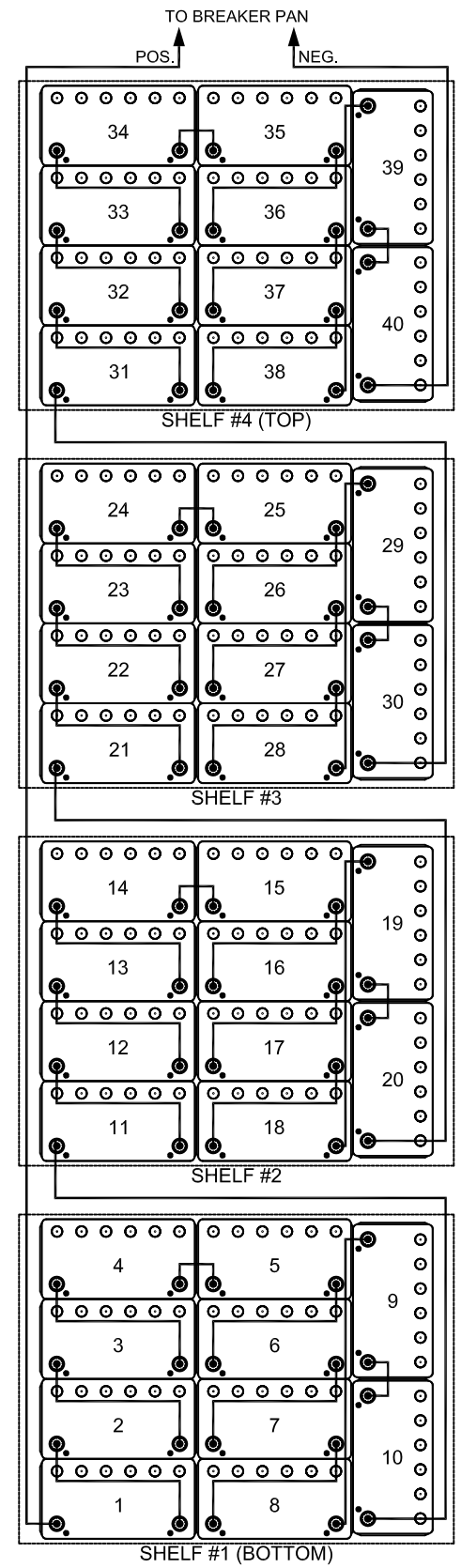
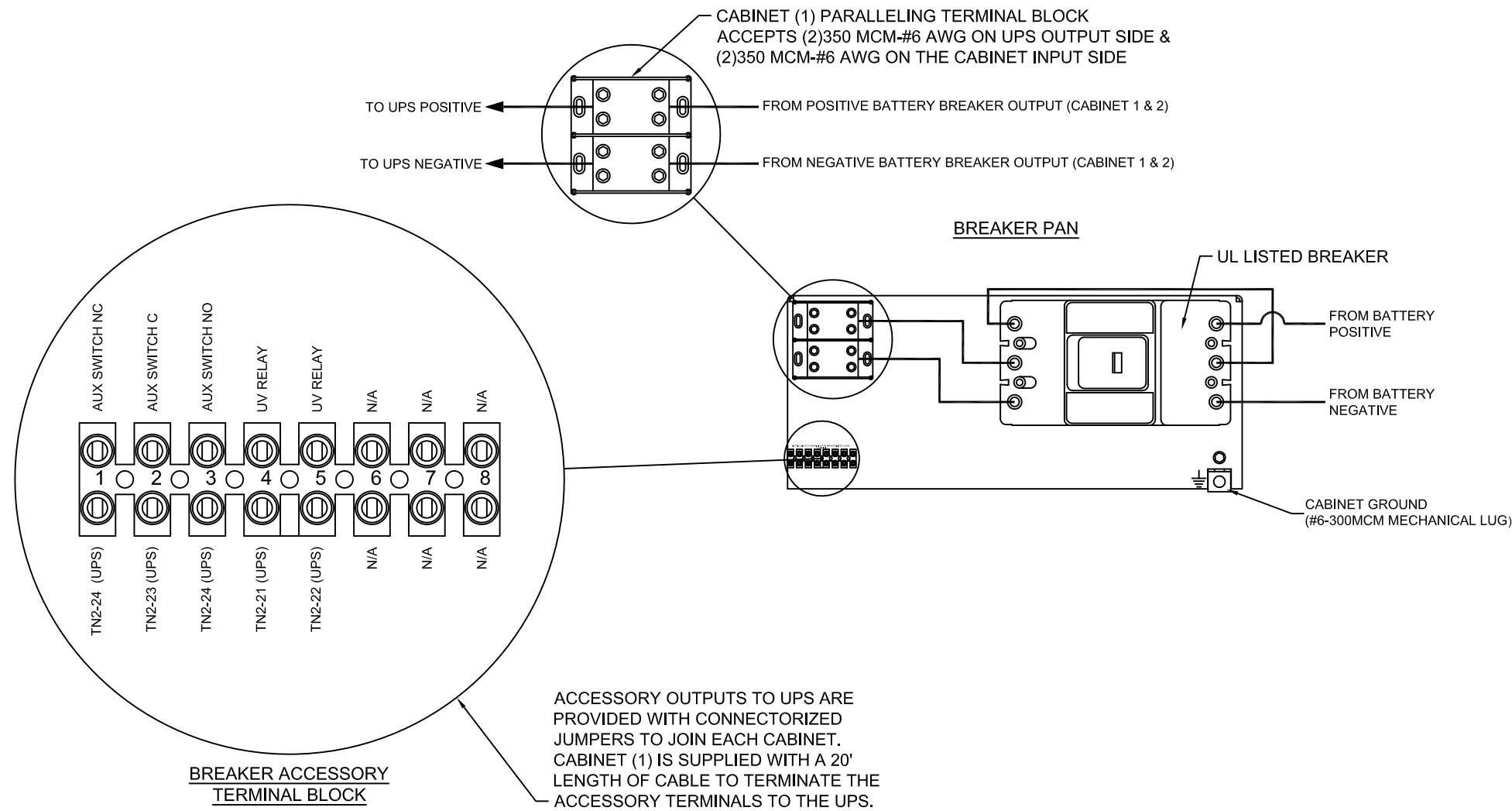
TITLE:
55T (2) BATTERY CABINET SYSTEM

SCALE:
NTS

ORDER NO.:

DRAWING NO.:
91455SDT2-1 REV A

TOSHIBA INTERNATIONAL CORPORATION
13131 WEST LITTLE YORK ROAD, HOUSTON, TX, 77041 U.S.A.

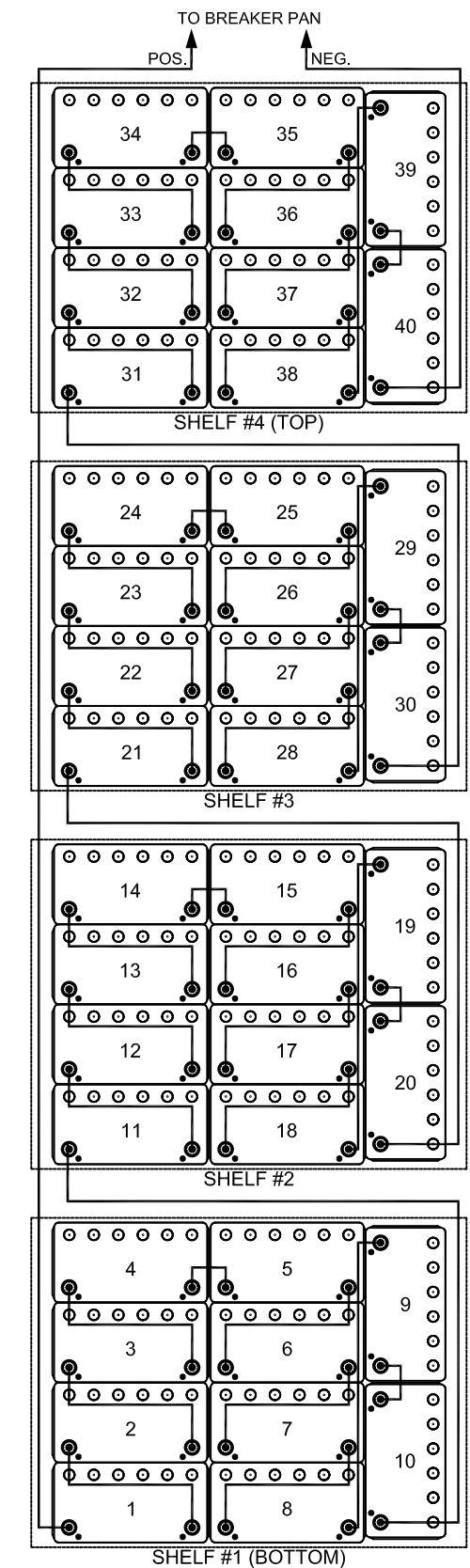
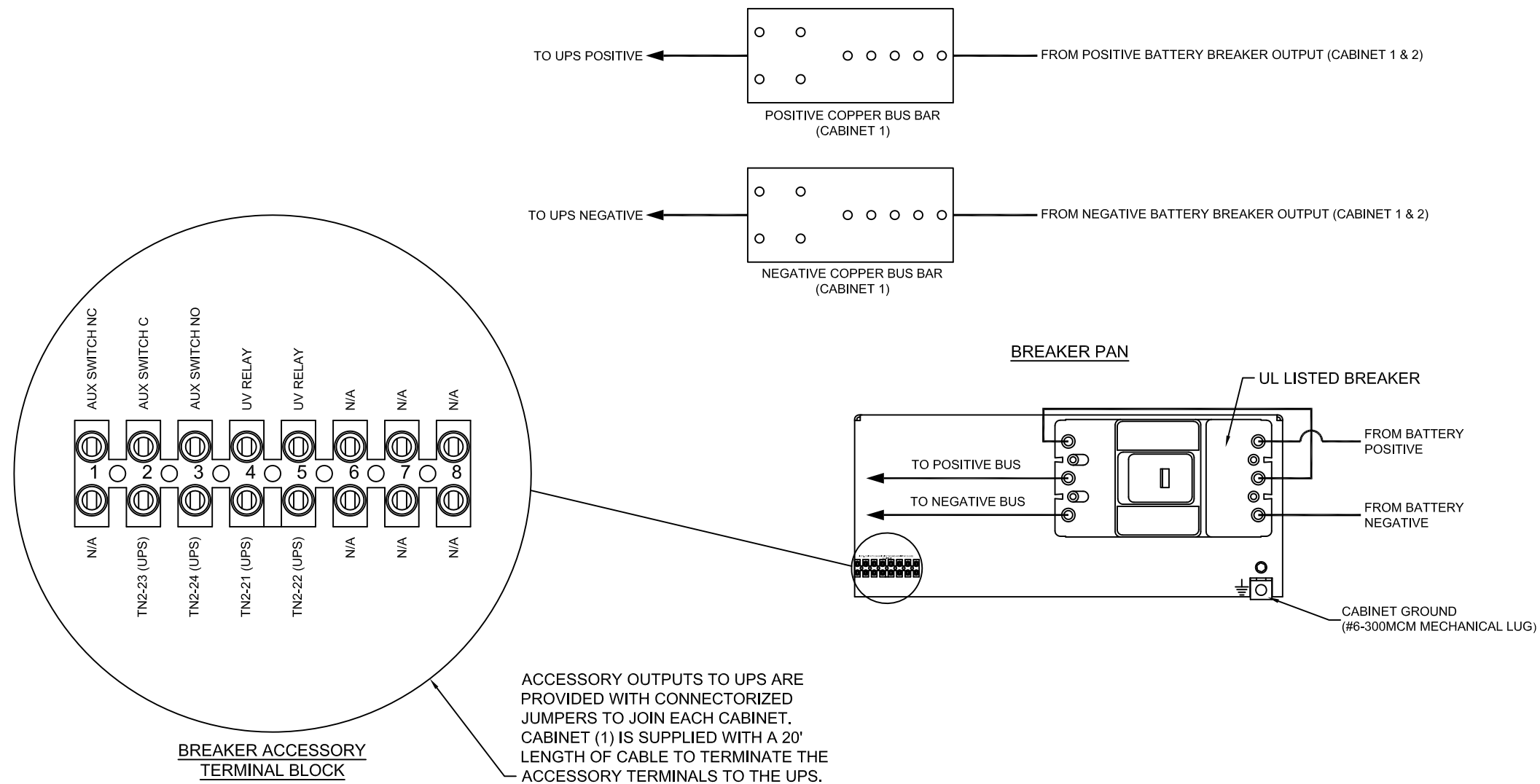


TYPICAL CABINET 1 & 2
480 VDC TYPICAL WIRING

ELECTRICAL NOTES:

1. ALL INTERNAL WIRING IS UL LISTED, MTW, STYLE, 105C, EXTRA FLEXIBLE CABLE.
2. FUSES ARE UL LISTED TYPE ATM 5A
3. FUSE HOLDER IS UL RECOGNIZED
4. TERMINAL BLOCK IS UL RECOGNIZED
5. BREAKER IS UL LISTED
6. CABINETS WITH BREAKERS ARE SHIPPED WITH BREAKER IN THE OFF/OPEN POSITION.
7. CABINETS ARE SHIPPED WITH BATTERY JUMPER REMOVED TO BREAK STRING VOLTAGE FOR ADDED SAFETY IN SHIPPING.
8. CABLES FROM BATTERY CABINET TO UPS SYSTEM & CABINET PARALLELING CABLES ARE OPTIONAL. CONSULT FACTORY.
9. GROUND CONNECTION IS #6-300MCM MECHANICAL LUG.

		DRAWN BY: JRL	DATE: 11/20/06	THIS MATERIAL IS THE EXCLUSIVE PROPERTY OF TOSHIBA INTERNATIONAL CORPORATION AND SHALL NOT BE REPRODUCED, USED OR DISCLOSED TO OTHERS UNLESS PRIOR WRITTEN AUTHORIZATION IS OBTAINED.	TITLE: 55T (2) BATTERY CABINET SYSTEM G8000MM 100,150 KVA WIRING	SCALE: NTS	ORDER NO.:	
		CHECKED BY:	DATE:			DRAWING NO.: 91455STD2-2 REV A		
		APPROVED BY:	DATE:	TOSHIBA INTERNATIONAL CORPORATION 13131 WEST LITTLE YORK ROAD, HOUSTON, TX, 77041 U.S.A.				
							SH. 2	OF 3



TYPICAL CABINET 1 & 2
480 VDC TYPICAL WIRING

ELECTRICAL NOTES:

1. ALL INTERNAL WIRING IS UL LISTED, MTW, STYLE, 105C, EXTRA FLEXIBLE CABLE
2. FUSES ARE UL LISTED TYPE ATM 5A
3. FUSE HOLDER IS UL RECOGNIZED
4. TERMINAL BLOCK IS UL RECOGNIZED
5. BREAKER IS UL LISTED
6. CABINETS WITH BREAKERS ARE SHIPPED WITH BREAKER IN THE OFF/OPEN POSITION
7. CABINETS ARE SHIPPED WITH BATTERY JUMPER REMOVED TO BREAK STRING VOLTAGE FOR ADDED SAFETY IN SHIPPING
8. CABLES FROM BATTERY CABINET TO UPS SYSTEM & CABINET PARALLELING CABLES ARE OPTIONAL. CONSULT FACTORY
9. GROUND CONNECTION IS #6-300MCM MECHANICAL LUG
10. CUSTOMER CONNECTION ON OUTPUT BUS BAR IS FOR 2 HOLE LUG ON 1-3/4" HOLE SPACING WITH 3/8-16 TAPS

DRAWN BY:	DATE:
JRL	11/20/06
CHECKED BY:	DATE:
APPROVED BY:	DATE:

THIS MATERIAL IS THE EXCLUSIVE PROPERTY OF TOSHIBA INTERNATIONAL CORPORATION AND SHALL NOT BE REPRODUCED, USED OR DISCLOSED TO OTHERS UNLESS PRIOR WRITTEN AUTHORIZATION IS OBTAINED.

TITLE:
**55T (2) BATTERY CABINET SYSTEM
G8000MM 225,300,375 KVA WIRING**

SCALE:
NTS

ORDER NO.:

DRAWING NO.:

91455STD2-3 REV A