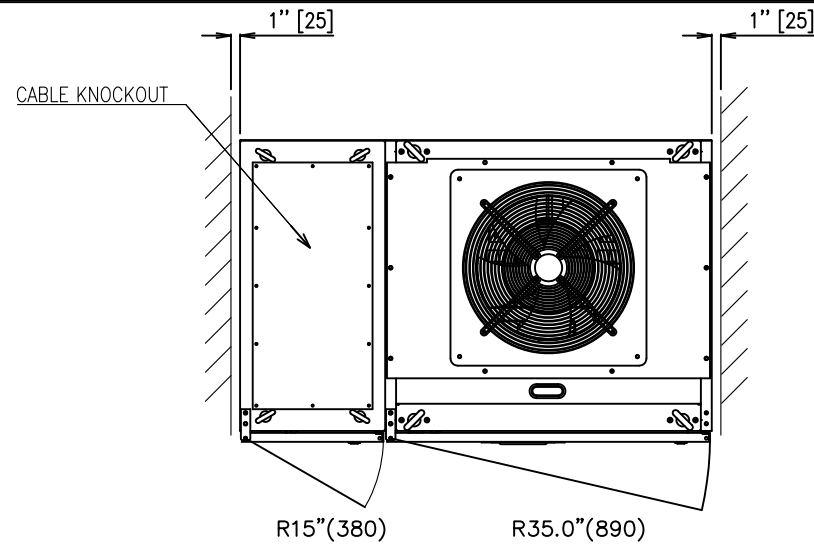


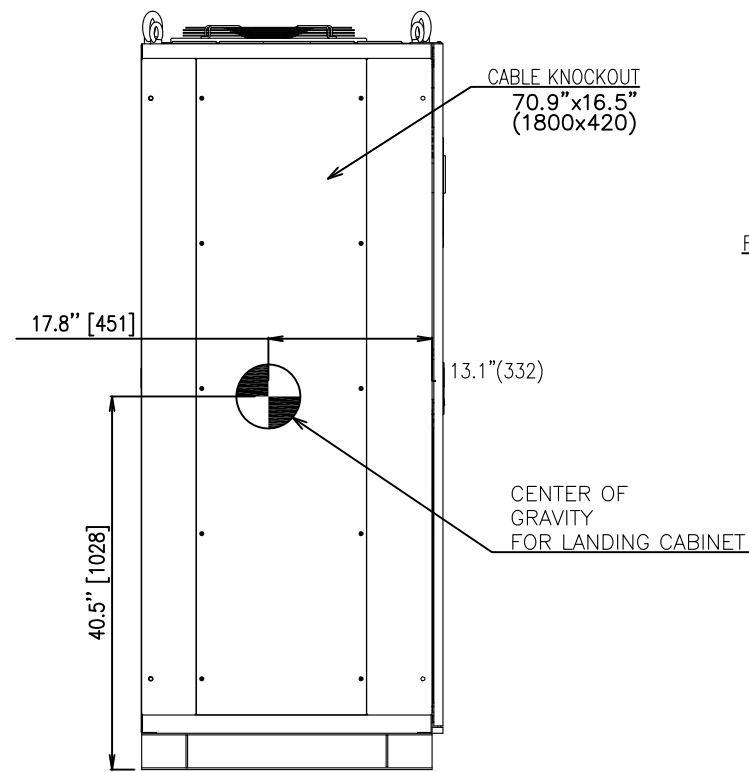
BOTTOM CABLE ENTRY  
CROSS SECTION A-A



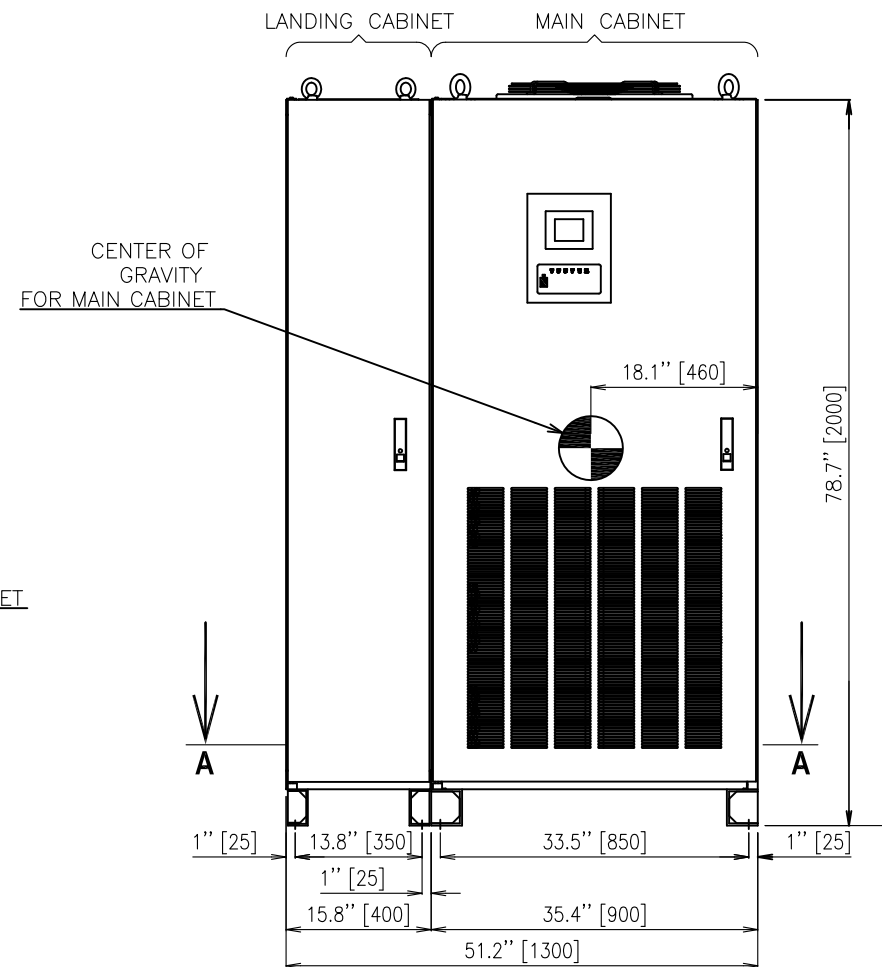
TOP VIEW

TYPE : T90S3S30KS6XSN  
 RATING : 300kVA-3P3W-480V-60Hz  
 APPROX.WEIGHT : 2,260LBS (1,025kg)  
 HEAT REJECTION : 31.7 kBTUs/Hr (TYPICAL)

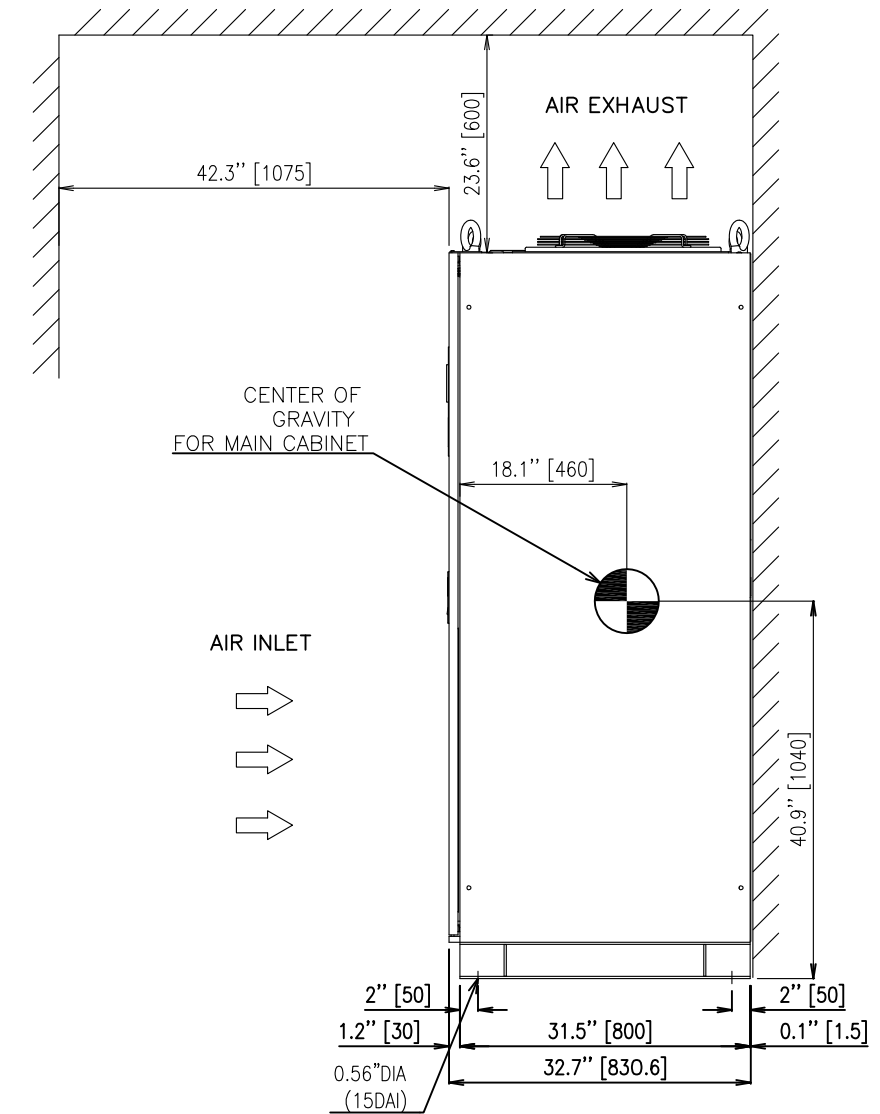
NOTES  
 1.DIMENSIONS ARE SHOWN IN INCHES (MILLIMETERS IN PARENTHESIS).  
 2.CABINET SHOULD BE MAINTAINED UPRIGHT WITHIN ±15° DURING MOVING.



LEFT SIDE VIEW

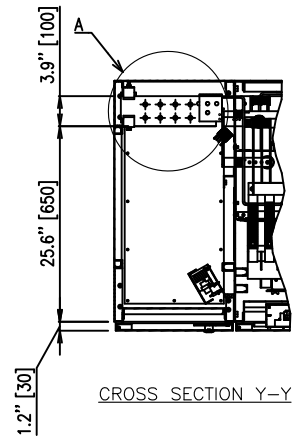


FRONT VIEW

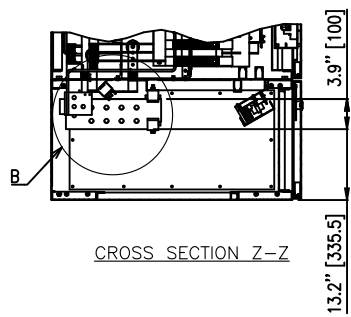


RIGHT SIDE VIEW

FOR QUOTE	Q0	JBT	DRAWN BY: JBT	DATE 7/2/10	THIS MATERIAL IS THE EXCLUSIVE PROPERTY OF TOSHIBA INTERNATIONAL CORPORATION AND SHALL NOT BE REPRODUCED, USED OR DISCLOSED TO OTHERS UNLESS PRIOR WRITTEN AUTHORIZATION IS OBTAINED.	TITLE: G9000 300kVA UPS OUTLINE & INSTALLATION DIAGRAM	SCALE NTS	ORDER NO.
			CHECKED BY	DATE			DRAWING NO. 30441C10079JBT-MKTG	
			APPROVED BY	DATE				
TOSHIBA INTERNATIONAL CORPORATION						13131 WEST LITTLE YORK ROAD, HOUSTON, TX, 77041 U.S.A.		SH. 1 OF 2



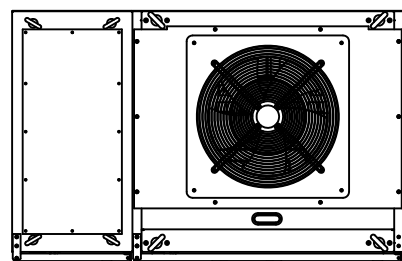
CROSS SECTION Y-Y



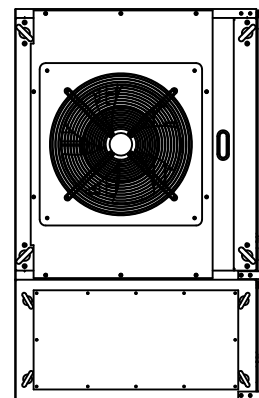
CROSS SECTION Z-Z

NOTES

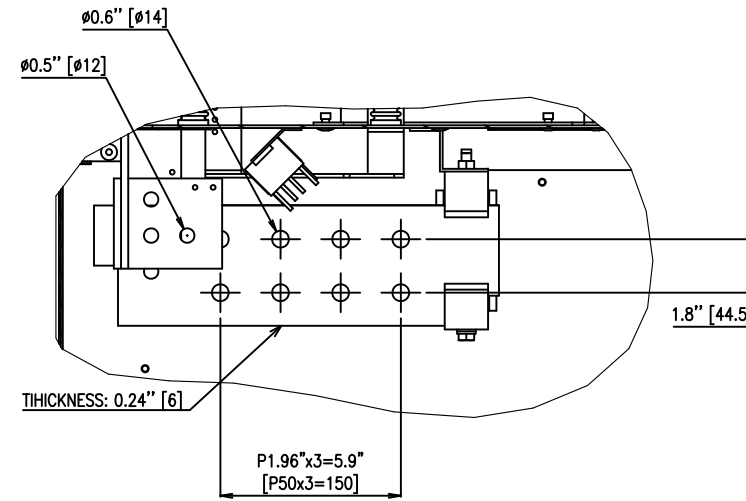
3. CABLES FOR AC INPUT, DC INPUT, BYPASS INPUT, AND AC OUTPUT PROVIDED BY OTHERS.
4. PHASE ROTATION IS A-B-C CLOCKWISE.
5. BUS BARS MAY BE ORIENTED L-R (FRONT INSIDE VIEW, CROSS SECTION Y-Y & DETAIL "A") OR FRONT-REAR (LEFT INSIDE VIEW, CROSS SECTION Z-Z & DETAIL "B")



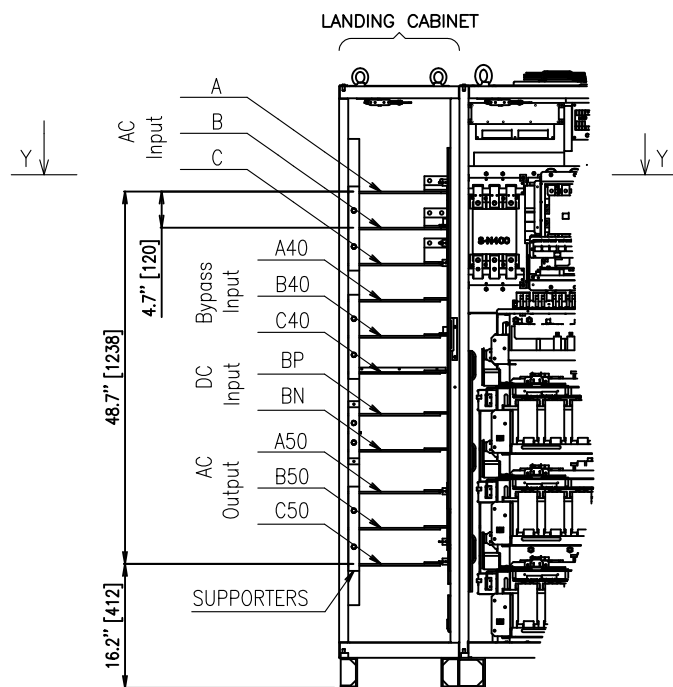
TOP VIEW



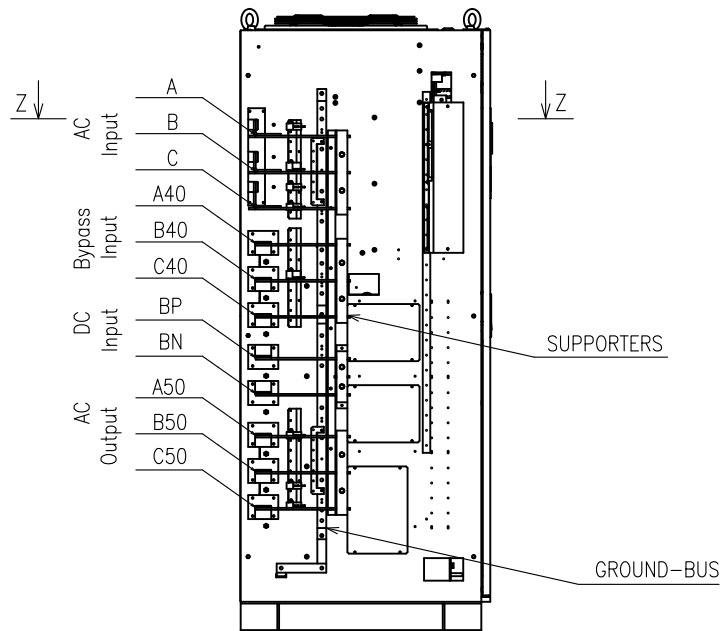
TOP LEFT VIEW



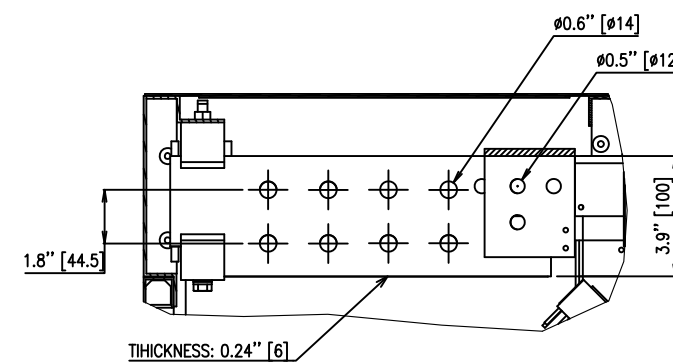
DETAIL B (SCALE 1:5)



FRONT INSIDE VIEW



LEFT INSIDE VIEW



DETAIL A (SCALE 1:5)

FOR QUOTE

QO

JBT

DRAWN BY:  
JBT

DATE  
7/13/10

THIS MATERIAL IS THE EXCLUSIVE PROPERTY OF TOSHIBA INTERNATIONAL CORPORATION AND SHALL NOT BE REPRODUCED, USED OR DISCLOSED TO OTHERS UNLESS PRIOR WRITTEN AUTHORIZATION IS OBTAINED.

TITLE: G9000 300kVA UPS  
OUTLINE & INSTALLATION DRAWING

SCALE  
NTS

ORDER NO.

CHECKED BY

DATE

APPROVED BY

DATE

TOSHIBA INTERNATIONAL CORPORATION  
13131 WEST LITTLE YORK ROAD, HOUSTON, TX, 77041 U.S.A.

DRAWING NO.  
30441C10079JBT-MKTG

SH.2 OF 2