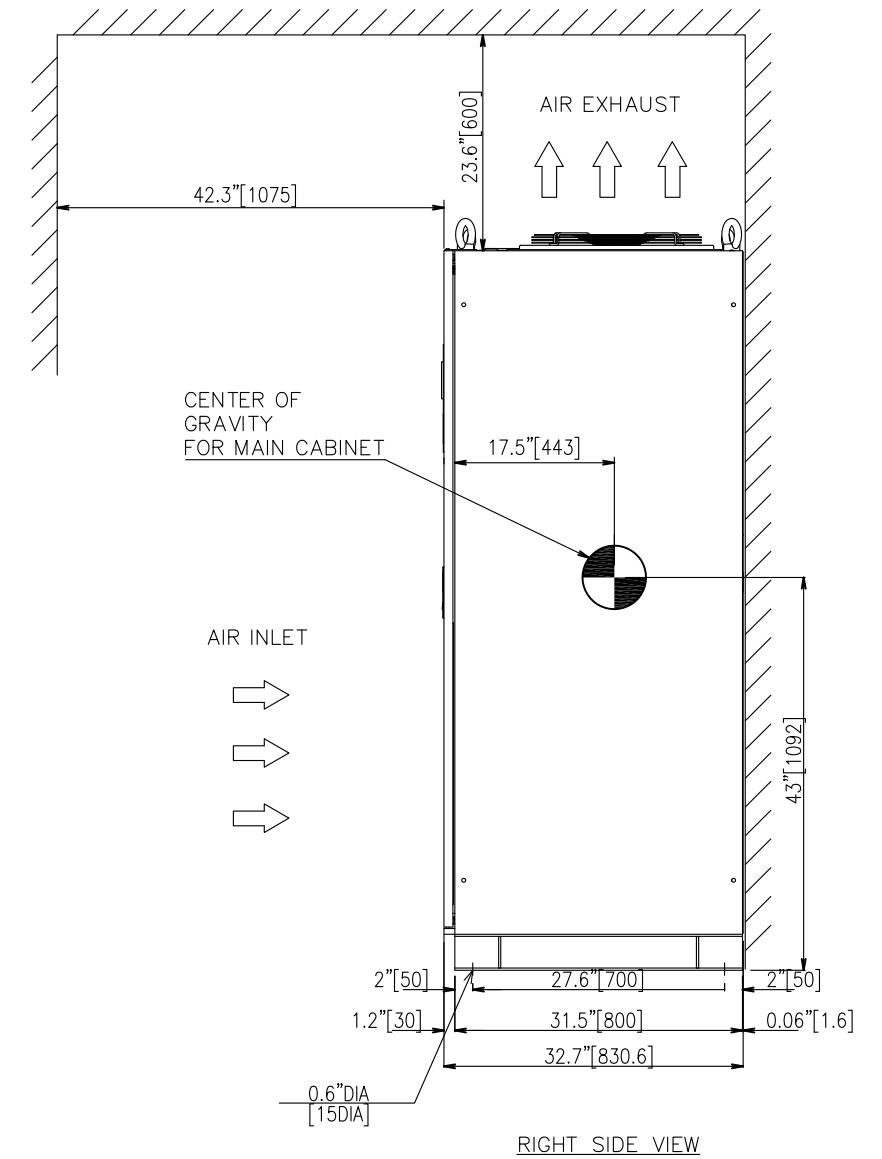
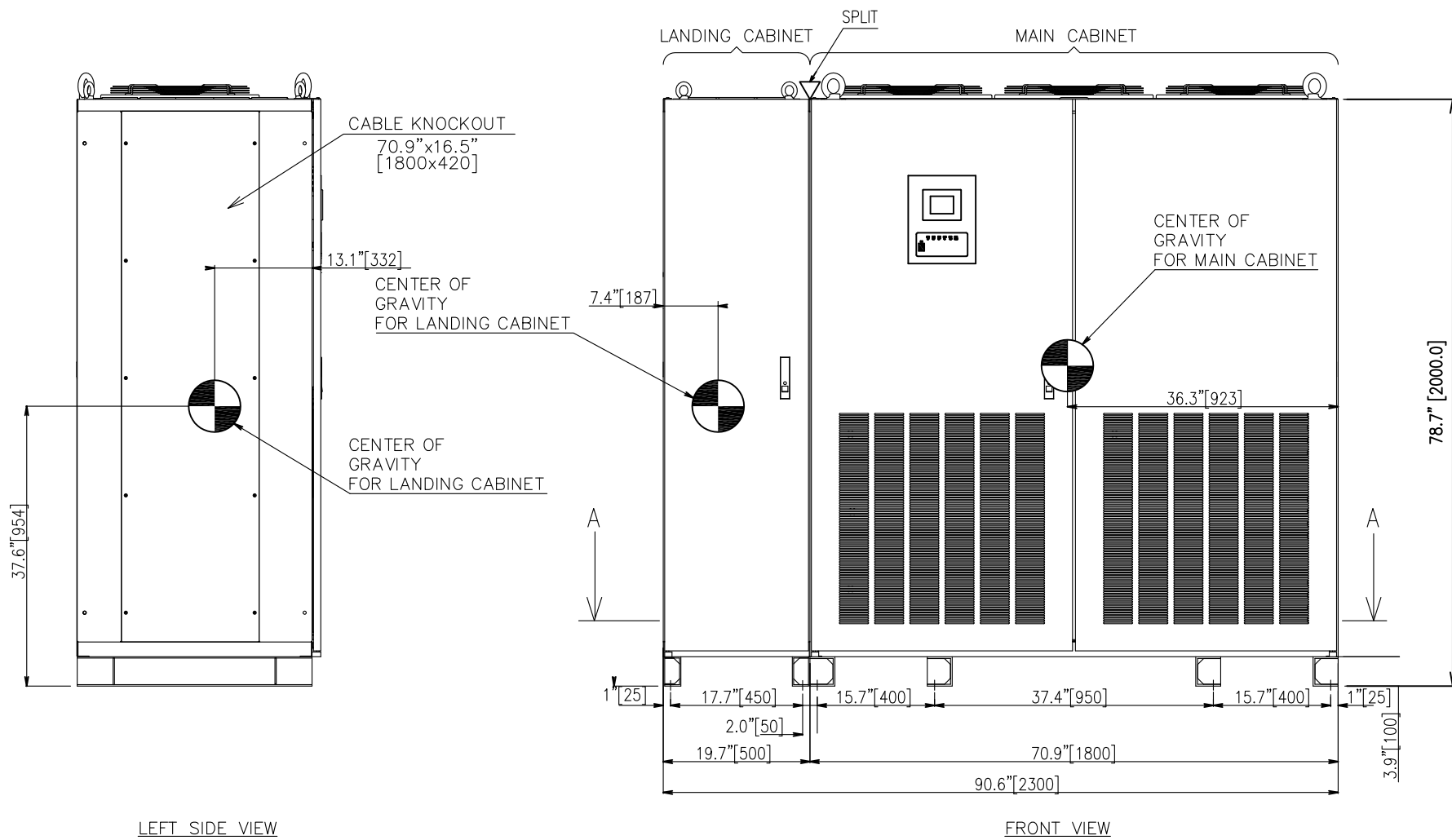
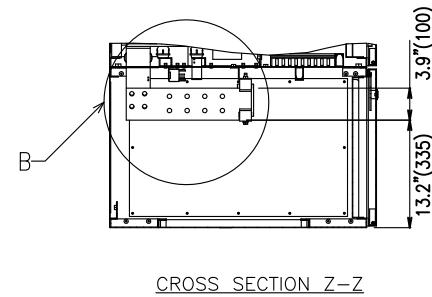
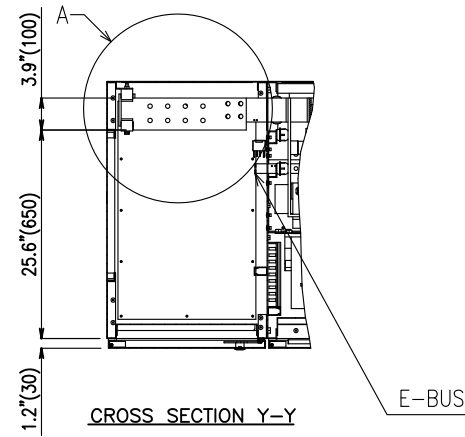


TYPE : T90S3S65KS6XSN
 RATING : 650kVA-3P3W-480V-60Hz
 APPROX. WEIGHT : MAIN CABINET 4,010LBS [1819kg]
 LANDING CABINET 240LBS [109kg]
 HEAT REJECTION : 68.7 kBTUs/hour [TYPICAL]

NOTES
 1. DIMENSIONS ARE SHOWN IN INCHES [MILLIMETERS IN BRACKETS].
 2. CABINET SHOULD BE MAINTAINED UPRIGHT WITHIN ±15° DURING MOVING.

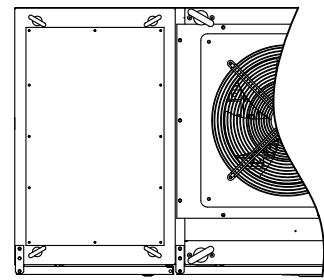


FOR QUOTE	Q0	JBT	DRAWN BY: JBT	DATE 4/8/16	THIS MATERIAL IS THE EXCLUSIVE PROPERTY OF TOSHIBA INTERNATIONAL CORPORATION AND SHALL NOT BE REPRODUCED, USED OR DISCLOSED TO OTHERS UNLESS PRIOR WRITTEN AUTHORIZATION IS OBTAINED.	TITLE: G9000 650kVA UPS OUTLINE & INSTALLATION DIAGRAM	SCALE NTS	ORDER NO.
			CHECKED BY	DATE			DRAWING NO. 65441C16059JBT-MKTG	
			APPROVED BY	DATE				
TOSHIBA INTERNATIONAL CORPORATION 13131 WEST LITTLE YORK ROAD, HOUSTON, TX, 77041 U.S.A.								SH. 1 OF 2

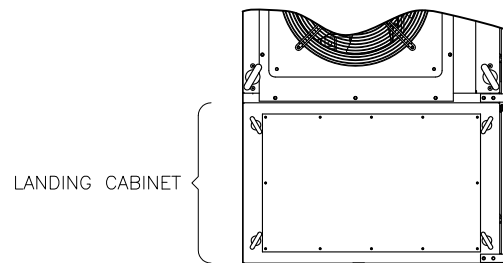


NOTES

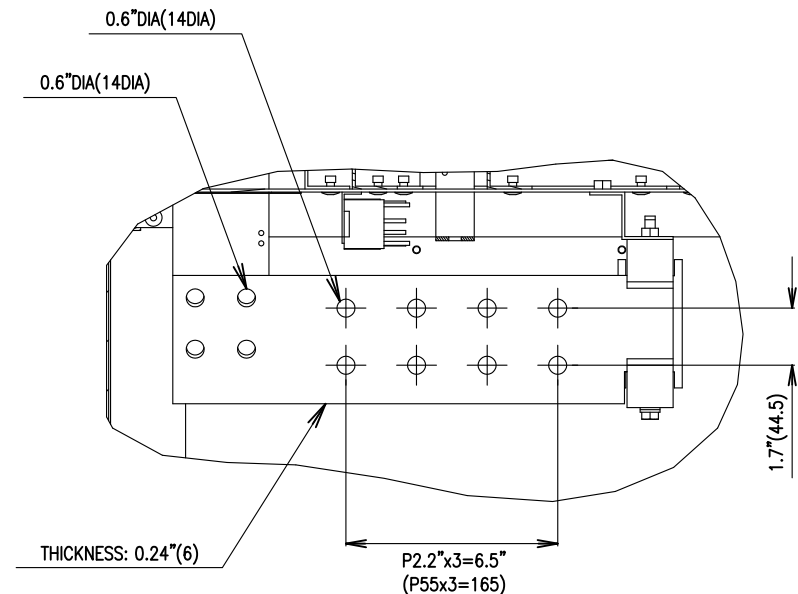
- 3. CABLES FOR AC INPUT, DC INPUT, BYPASS INPUT, AND AC OUTPUT PROVIDED BY OTHERS.
- 4. PHASE ROTATION IS A-B-C CLOCKWISE.
- 5. BUS BARS MAY BE ORIENTED L-R (FRONT INSIDE VIEW, CROSS SECTION Y-Y & DETAIL "A") OR FRONT-REAR (LEFT INSIDE VIEW, CROSS SECTION A-A & DETAIL "B")



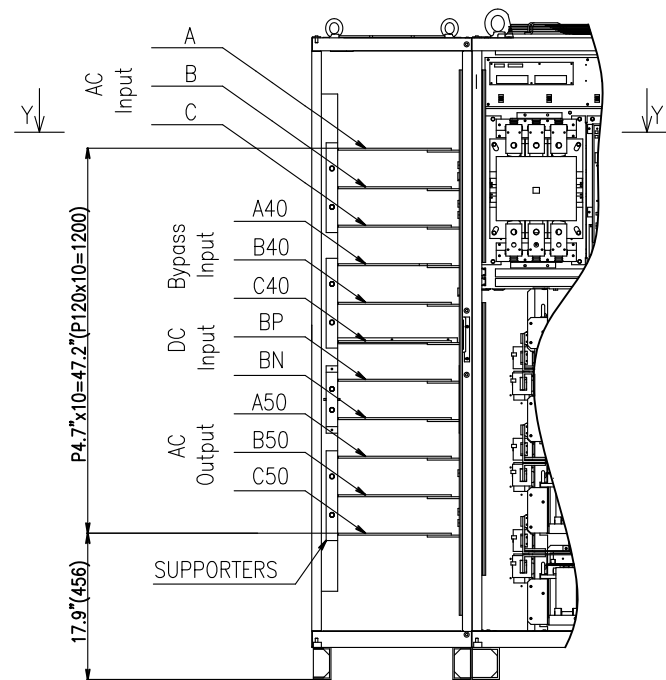
TOP VIEW



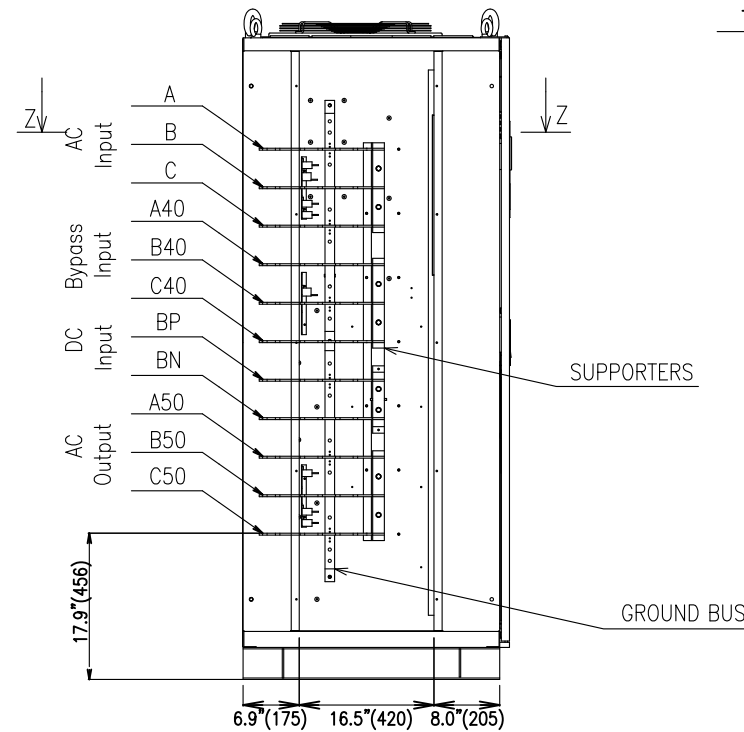
TOP VIEW



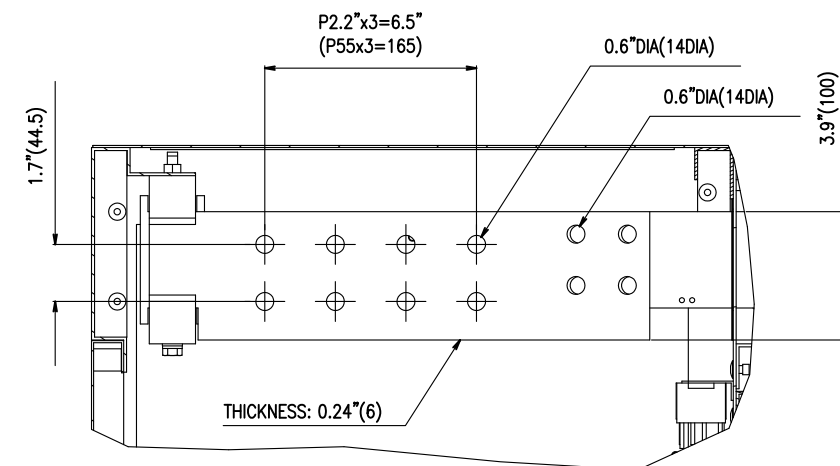
DETAIL B (SCALE 1:5)



FRONT INSIDE VIEW



LEFT INSIDE VIEW



DETAIL A (SCALE 1:5)

FOR QUOTE	Q0	JBT	DRAWN BY: JBT	DATE 4/8/16	THIS MATERIAL IS THE EXCLUSIVE PROPERTY OF TOSHIBA INTERNATIONAL CORPORATION AND SHALL NOT BE REPRODUCED, USED OR DISCLOSED TO OTHERS UNLESS PRIOR WRITTEN AUTHORIZATION IS OBTAINED.	TITLE: G9000 650kVA UPS OUTLINE & INSTALLATION DRAWING	SCALE NTS	ORDER NO.
			CHECKED BY	DATE			DRAWING NO. 65441C16059JBT-MKTG	SH. 2 OF 2
			APPROVED BY	DATE				
TOSHIBA INTERNATIONAL CORPORATION								
13131 WEST LITTLE YORK ROAD, HOUSTON, TX, 77041 U.S.A.								