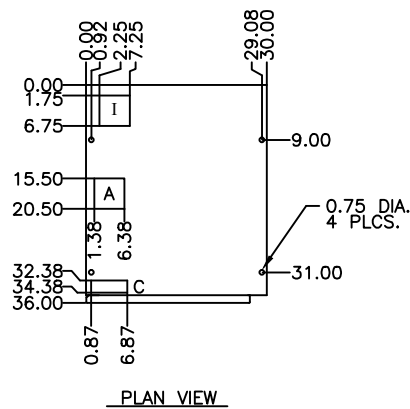
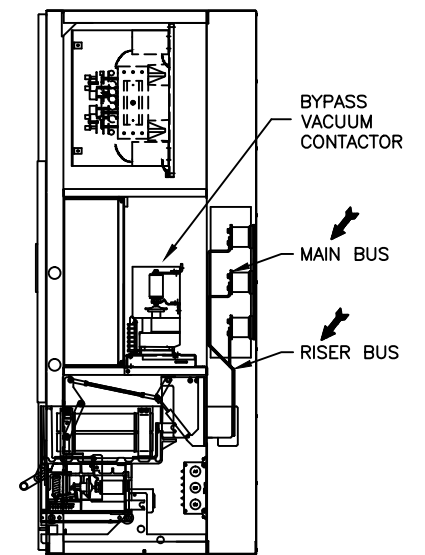
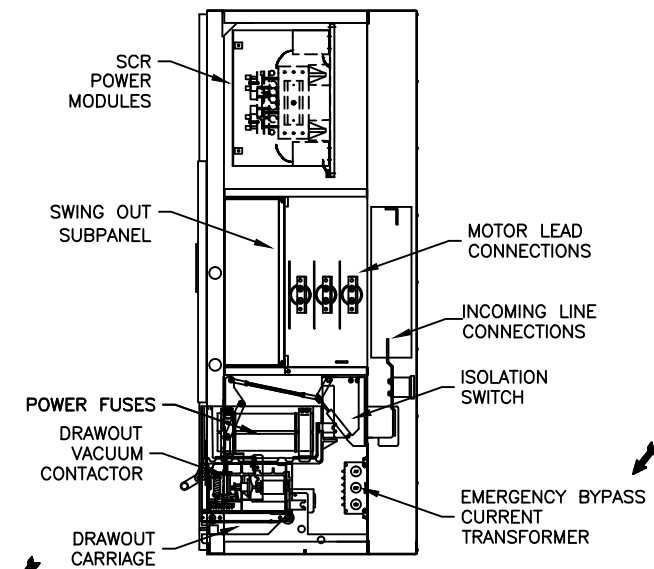
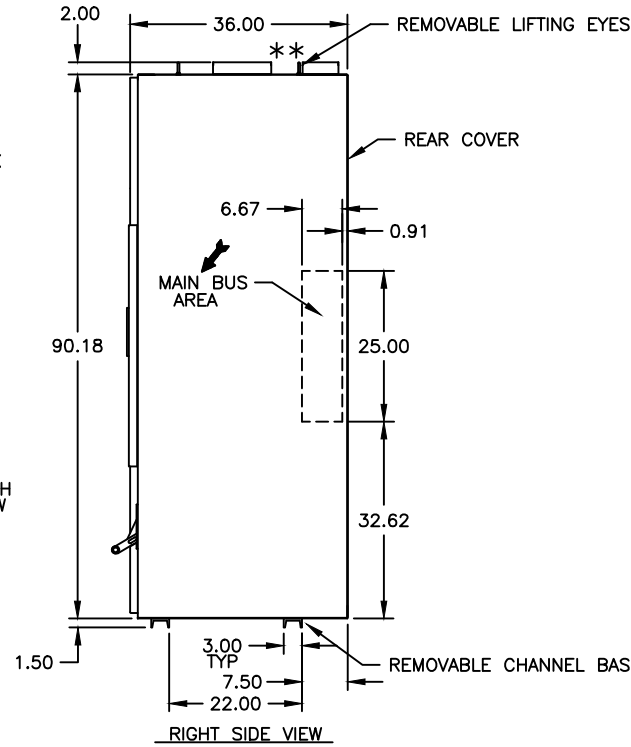
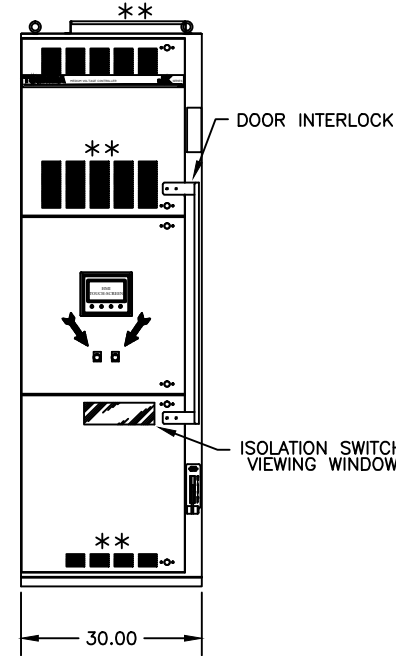


FRONT VIEW
(WITHOUT DOORS & SWING OUT SUBPANEL)



DEVICE LEGEND	
Item	Description
1	DISPLAY AND PROGRAM PANEL
2	PUSHBUTTON, BLACK "START"
3	PUSHBUTTON, RED "STOP"

CABLE TERMINATION			
ENTRY	INCOMING	LOAD	CONTROL
TOP	I	A	C
BOTTOM	I	A	C

NOTES

- ENCLOSURE: TYPE 1/12
- FINISH: ANSI 61 TEXTURED GRAY PAINT
- APPROX. WEIGHT: 1,400lbs.

** DOOR & TOP VENTS ARE FOR 3000HP TYPE 1 ONLY

➔ - OPTIONAL DEVICE, SEE SPECIFICATION SHEET.

REV	DATE	DESCRIPTION	BY	CHK	APPR
0	09/10/19	FIRST ISSUE			

TOSHIBA
TOSHIBA INTERNATIONAL CORPORATION
MADE IN HOUSTON, TEXAS U.S.A.
THIS MATERIAL IS THE EXCLUSIVE PROPERTY OF TOSHIBA INTERNATIONAL CORPORATION AND SHALL NOT BE REPRODUCED, USED, OR DISCLOSED TO OTHERS UNLESS PRIOR WRITTEN AUTHORIZATION IS OBTAINED.

TITLE: OUTLINE DIAGRAM - N1/12 360A DRAWOUT INDOOR MED. VOLT. SOLID STATE STARTER
CUSTOMER: STANDARD

REVISION: 0
SCALE: 1.0=16.0
DRAWING NUMBER: V808X021